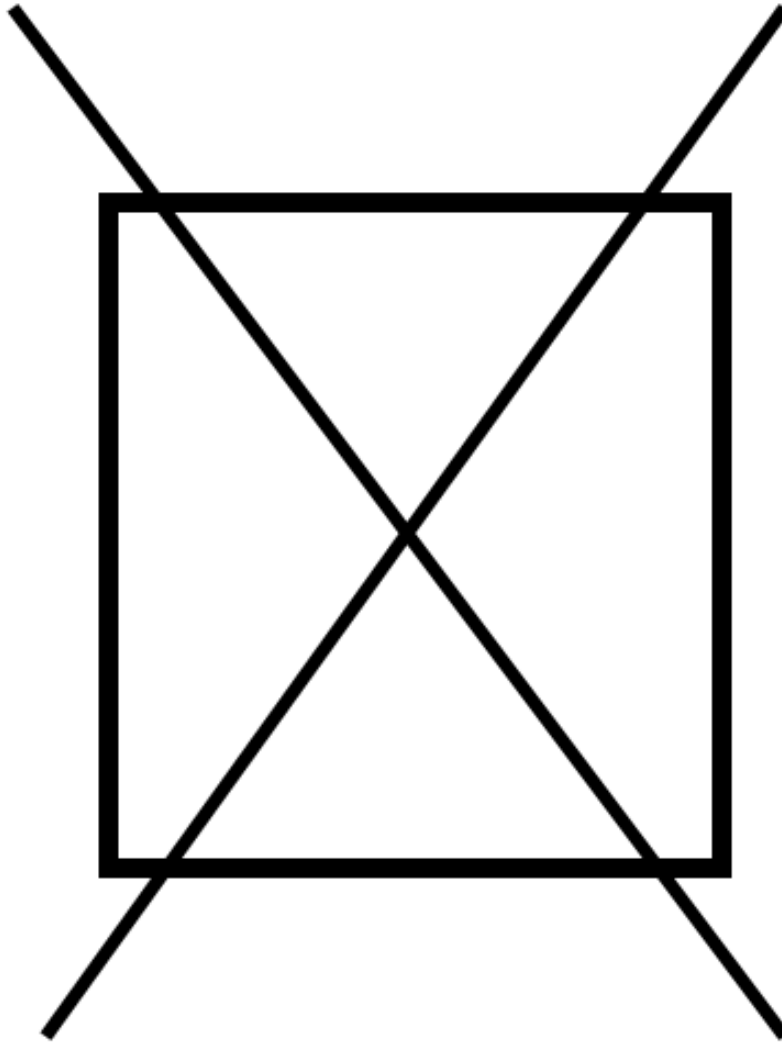


VGBQ4103RE2

30 & 41 WIRE ASSEMBLY	1
BURNER BOX AREA	2
BURNER GRATE AREA	3
CANOPY AREA	4
CONTROL PANEL	5
DRIP TRAY	6
HARN, MAIN, 4103RE2	7
HARNESS, WIRE, ROTISSERIE	8
IGNITOR WIRE 18	9
IGNITOR WIRE 40	10
LED 11.50	11
LED WIRE 10.75	12
LED WIRE 4.875	13
LP CONNECTION SERVICE KIT	14
ROTISSERIE BURNER AREA	15
ROTISSERIE MOTOR ASSEMBLY	16
UPPER GRILLE AREA	17
WIRE ASSY 25	18
Appendix A:Pages Index	A
Appendix B:Parts Index	B

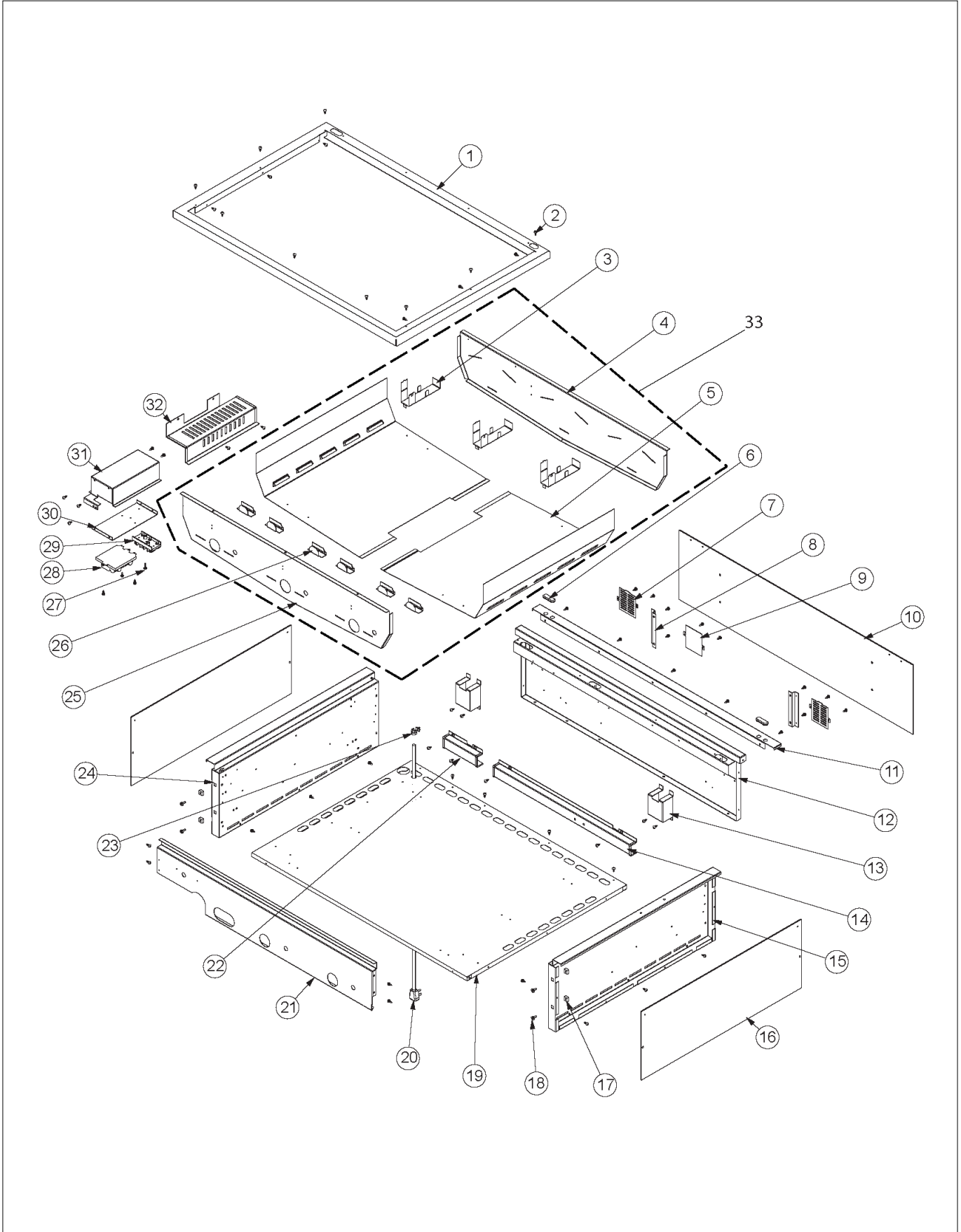
NON
ILLUSTRATED PART





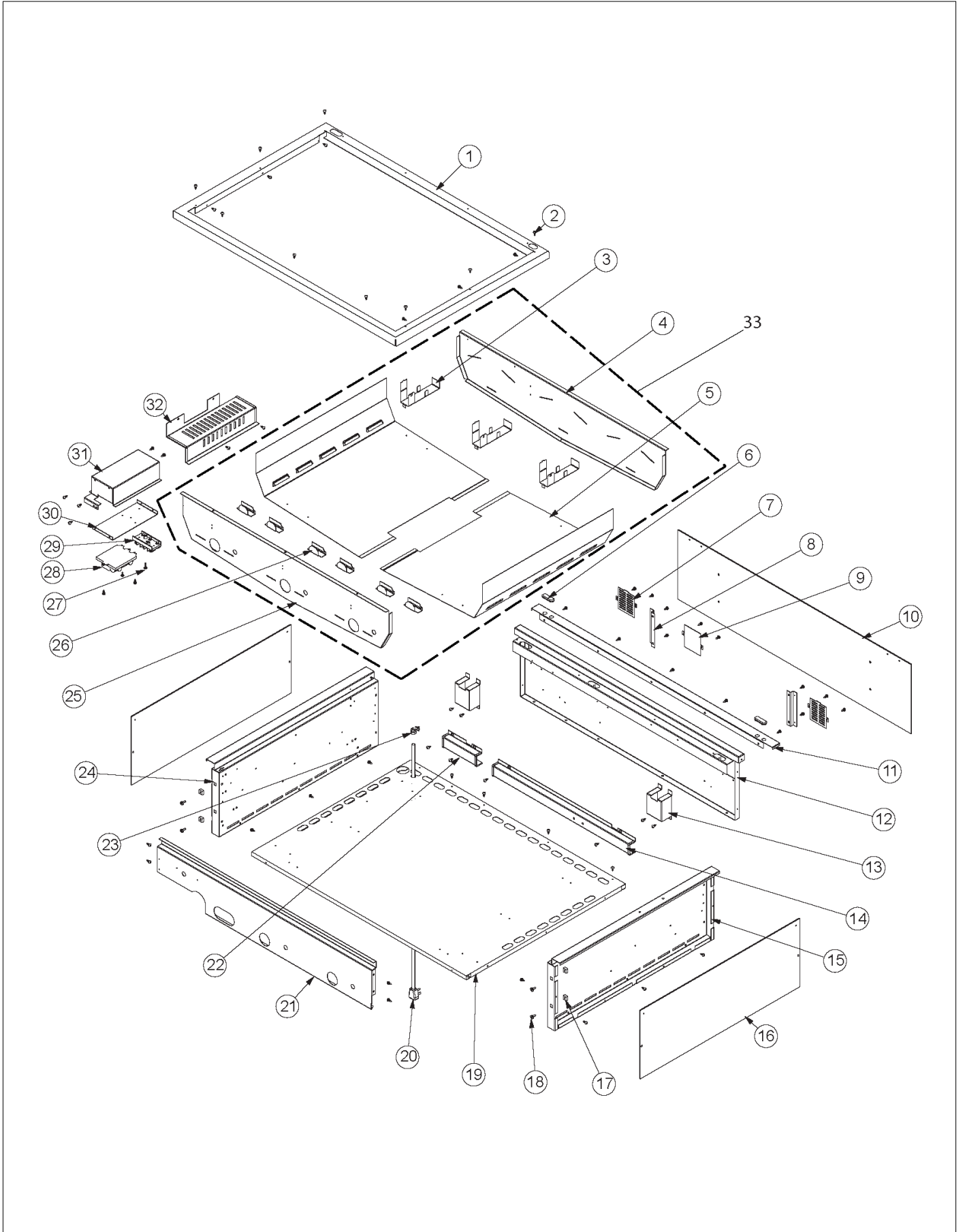
Item	Part No.	Name	Qty	Uom	NOTES
NI	006384-000	30" & 41" WIRE ASSEMBLY	1	EA	

BURNER BOX AREA





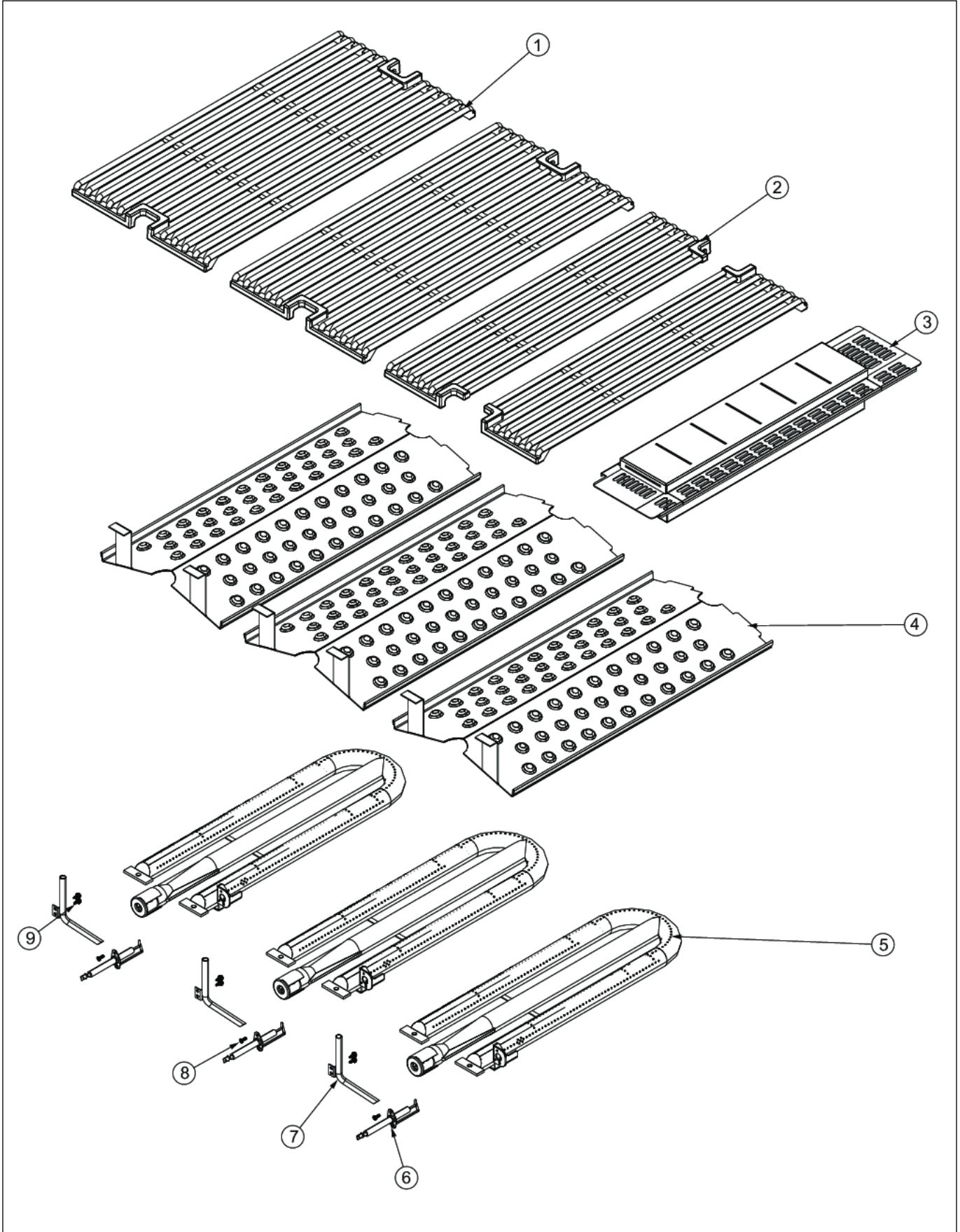
Item	Part No.	Name	Qty	Uom	NOTES
1	B20015515	GRILL FRAME 41"	1	EA	
2	PD020055	' #10 X 1/2" PAN PHIL. TEK.*SS*	63	EA	
3	006010-000	GRILL BURNER REAR BRACKET	3	EA	
4	021084-000	BOX, GRIL, REAR, 41"	1	EA	
5	021085-000	BOX, GRL BOT, 41"	2	EA	
6	002671-000	RUBBER DOOR BUMPER	2	EA	
7	002353-000	GRILL PLUG VENT	2	EA	NO LONGER AVAILABLE, Not available online / Call for pricing and availability
8	B2006305	HEAT SHIELD BRACKET	2	EA	
9	002354-000	GRILL PLUG PLATE	1	EA	NO LONGER AVAILABLE, Not available online / Call for pricing and availability
10	L1004881	Rear Heat Shield	1	EA	
11	003857-000	4103 GRILL REAR TRIM	1	EA	
12	B20015512	GRILL BOX BACK 41"	1	EA	
13	002355-000	GRILL RECEPTACLE BOX	2	EA	
14	A20015411	GRILL WIRE CHANNEL - 41" REAR	1	EA	
15	B2005203	Grill Box Side - RH	1	EA	
16	L1005398	Side Heat Shield	2	EA	
17	PD030050	10-24 CAGE NUT *SS*	4	EA	
18	PD020056	' #10-24 X 1/2" PH.TR. M.S. *SS*	4	EA	
19	B20015509	GRILL BOX BOTTOM 41"	1	EA	
20	PE070791	GRILL POWER SUPPLY CORD (8 FT)	1	EA	
21	025752-000	SUPPORT, GRL, FR, 41"	1	EA	
22	A20015412	GRILL WIRE CHANNEL - 42" SHORT	1	EA	
23	PD040044	SNAP THRU BUSHING 1/4"DIA CORD	1	EA	
24	B2005204	Grill Box Side - LH	1	EA	





Item	Part No.	Name	Qty	Uom	NOTES
25	025773-000	BOX, BNR, FR	1	EA	Not available online / Call for pricing and availability
Not Shown	NOTE	(MUST ORDER ITEM 33)		EA	
26	006011-000	GRILL BURNER FRONT BRACKET	6	EA	
27	PD020166	#10 X 3/4" PAN PHIL. TEK. *SS*	1	EA	NO LONGER AVAILABLE
28	PA020047	INVENSYS 0+4 RE-IGNITION SPARK MODULE	1	EA	
29	PE070855	E SERIES TERMINAL BLOCK	1	EA	
30	B20015568	0+4 SM/TB HOUSING BTM	1	EA	
31	B30015552	0+4 SPARK MODULE TERMINAL HOUSING	1	EA	
32	004089-000	POWER CORD SHIELD	1	EA	
NI	025700-000	HOUSING, MDL, ASM, LH	1	EA	
Not Shown	NOTE	(INCLUDES ITEMS 3, 30, 28, 29, 2, & 27)		EA	
33	025774-000	BOX, BNR, ASM 41" BQ	1	EA	
Not Shown	NOTE	(INCLUDES ITEMS 3, 4, 5, 25, & 26)		EA	

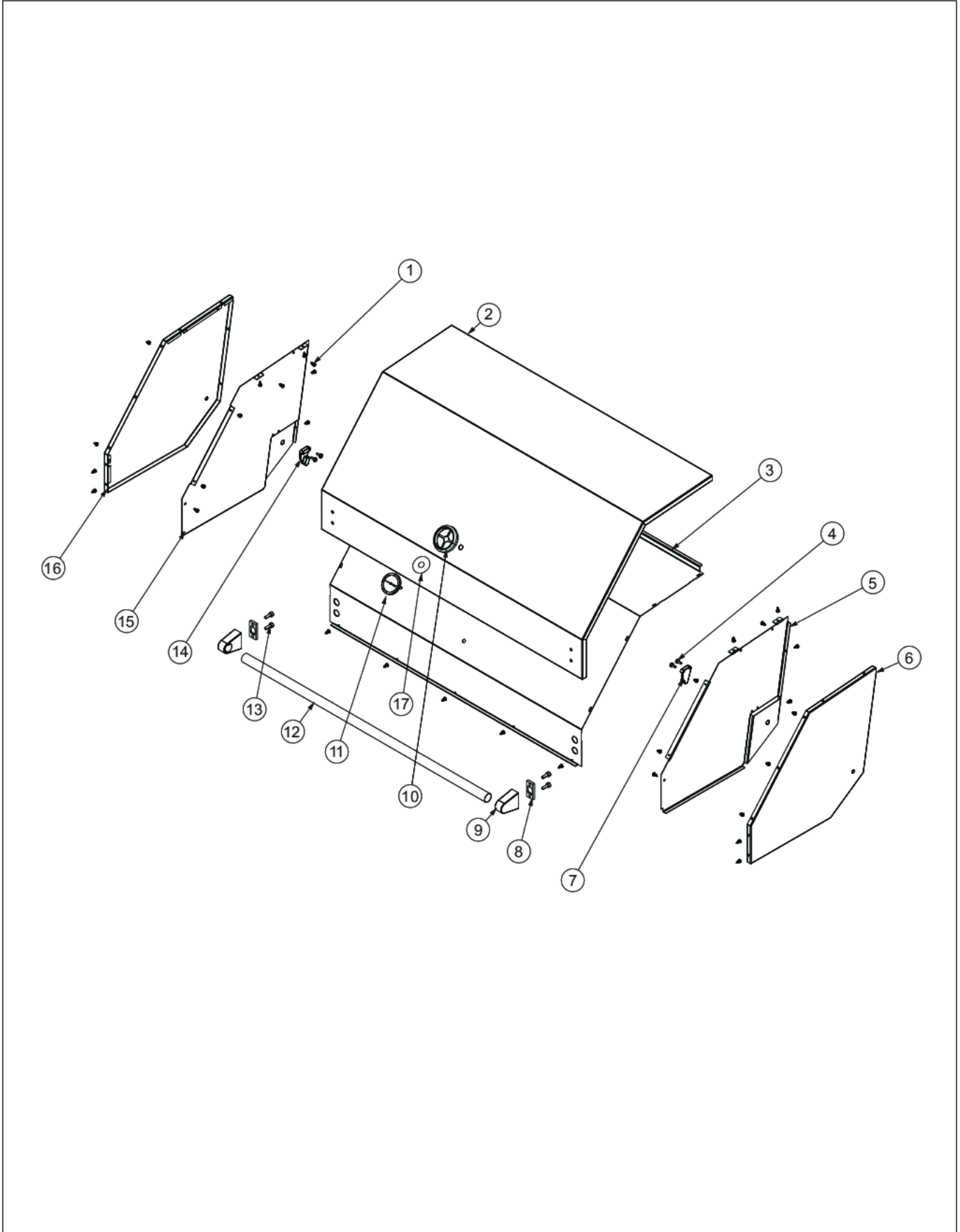
BURNER GRATE AREA





Item	Part No.	Name	Qty	Uom	NOTES
1	002369-000	REDESIGN BBQ GRATE - FULL	2	EA	
2	002370-000	REDESIGN BBQ GRATE - HALF	2	EA	
3	027596-000	BOX, SMOKER ASM	1	EA	
4	024157-000	SHIELD, GRS	3	EA	
5	023000-000	BURNER, GRL, ASM, U	3	EA	
6	008091-000	PB040288 IGNITOR KIT	3	EA	
7	PB020114	FLASH TUBE (VGBQ3002T)	3	EA	
8	004706-000	MACHINE SCREW, 6-32 x 3/8, PAN HD, PHILLIPS	3	EA	
9	008026-000	SCREW, TEK, #6-20 x 3/8, S.S.	6	EA	
NI	025701-000	BURNER, GRL, ASM	1	EA	
Not Shown	NOTE	(INCLUDES ITEMS 5, 6, & 8)		EA	

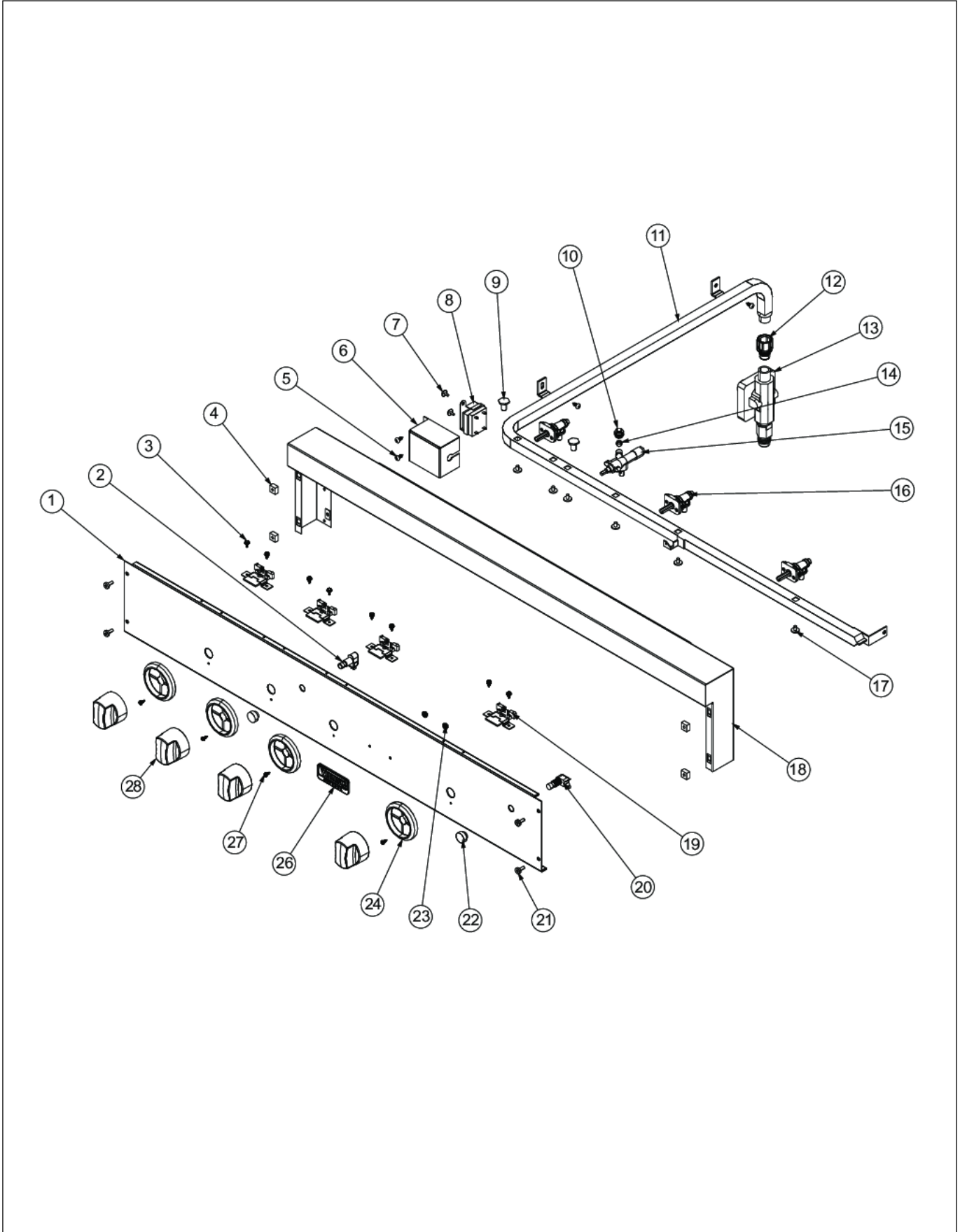
CANOPY AREA



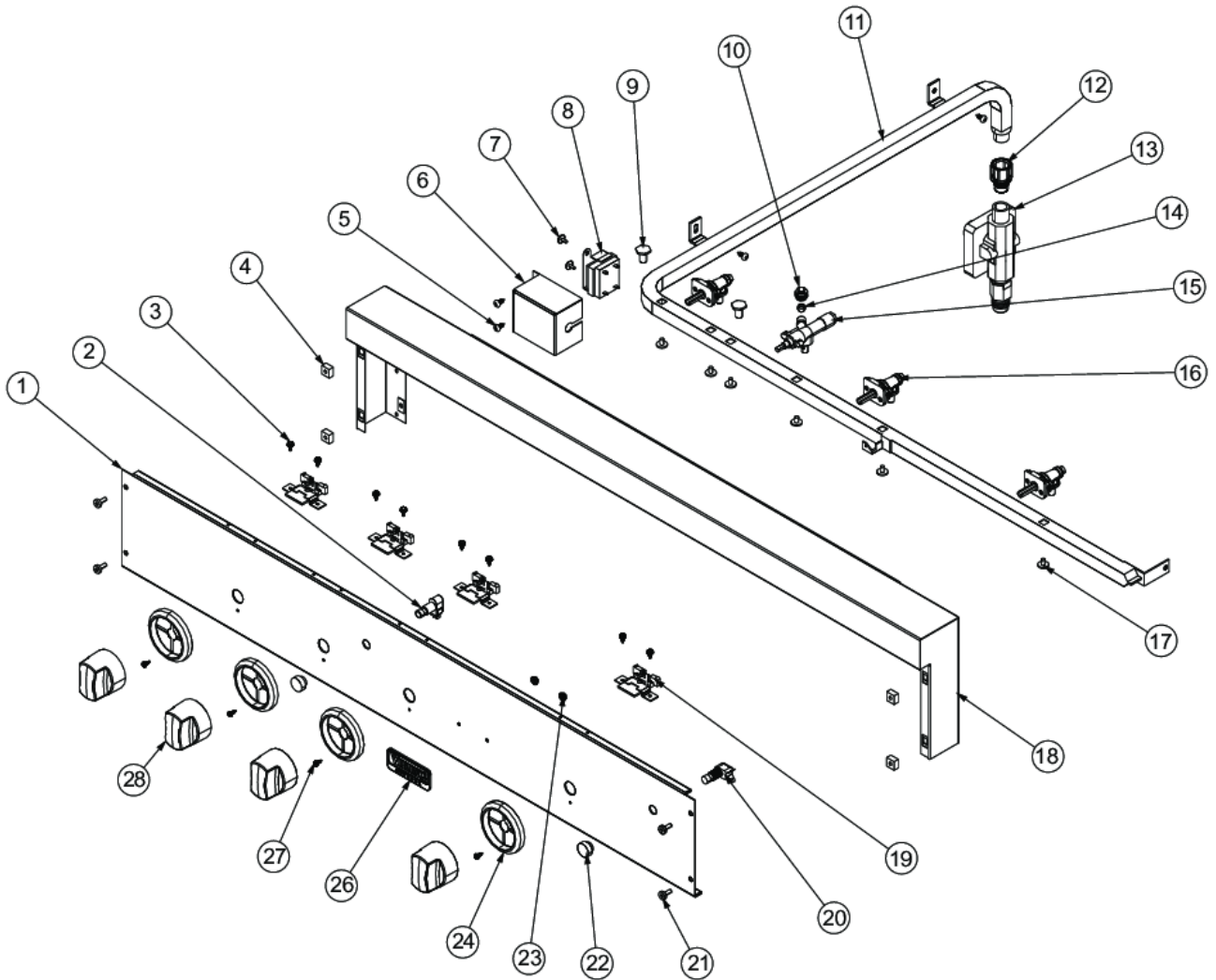


Item	Part No.	Name	Qty	Uom	NOTES
1	PD020055	' #10 X 1/2" PAN PHIL. TEK.*SS*	31	EA	
2	025893-000	HOOD, GRL, 41"	1	EA	
3	003637-000	41" CANOPY HEAT SHIELD	1	EA	
4	PD020056	' #10-24 X 1/2" PH.TR. M.S. *SS*	4	EA	
5	007379-000	GRILL CANOPY INSIDE RH	1	EA	Not available online / Call for pricing and availability
6	003630-000	GRILL CANOPY OUTSIDE RH	1	EA	
7	007215-000	CANOPY SPRING END MOUNT- RH	1	EA	
8	PD040010	DOOR HANDLE SPACER	2	EA	
9	000268-000	HANDLE ENDCAP	2	EA	
10	050172-000	BEZEL, KNOB	1	EA	
11	042720-000	GAUGE, BMTL, TEMPERATURE	1	EA	
12	PE030040	DOOR/CNPY HNDLE - RPLCS PE930090	1	EA	NO LONGER AVAILABLE
13	PD020069	CAP SCREW 1/4-20 X 3/4 SS	4	EA	
14	005941-000	CANOPY SPRING END MOUNT- LH	1	EA	
15	003633-000	GRILL CANOPY INSIDE LH	1	EA	
16	003632-000	GRILL CANOPY OUTSIDE LH	1	EA	Not available online / Call for pricing and availability
17	026724-000	SPACER, WSHR	1	EA	
NI	025756-000	HOOD, GRL, ASM, 41"	1	EA	Not available online / Call for pricing and availability
Not Shown	NOTE	(INCLUDES ITEMS 1 - 16)		EA	

CONTROL PANEL



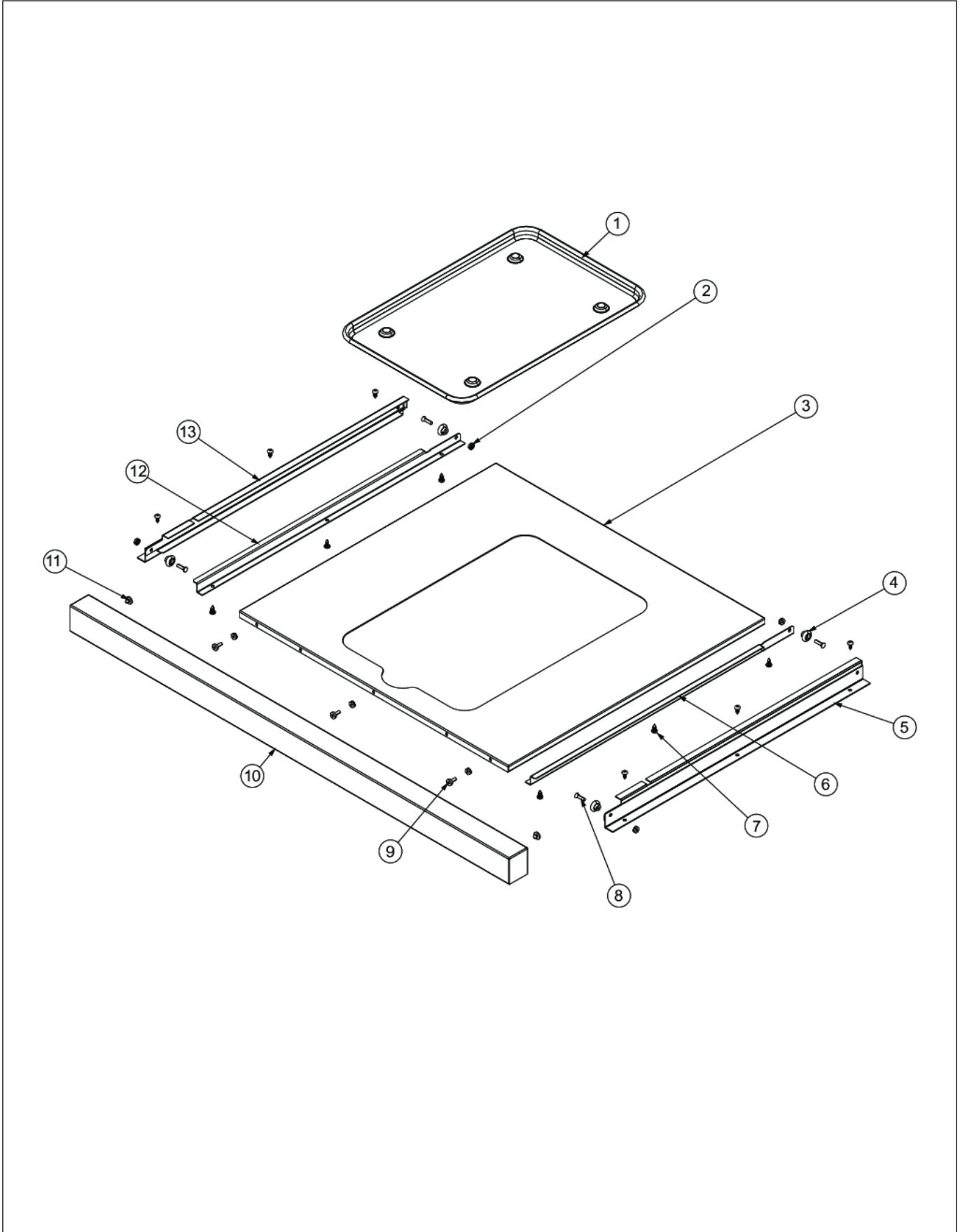
Item	Part No.	Name	Qty	Uom	NOTES
1	025776-000	PANEL, CTRL, VGBQ4103RE2	1	EA	
2	PE050063	SPARKER SWITCH (PHASE 2)	1	EA	
3	008026-000	SCREW, TEK, #6-20 x 3/8, S.S.	8	EA	
4	PD030050	10-24 CAGE NUT *SS*	4	EA	
5	PD020055	' #10 X 1/2" PAN PHIL. TEK.*SS*	4	EA	
6	007657-000	PROT. COVER	1	EA	
7	PD020073	SRW #10 X 24 X 3/8 WAFER HD TYPE23	2	EA	
8	006021-000	SCE, PWR, LED, 12VAC	1	EA	
9	002884-000	MANIFOLD PLUG	2	EA	
10	PB040228	FITTING BRASS COMPRESSION NUT	1	EA	
11	025728-000	MANIFOLD, GRL, 41"	1	EA	
12	023653-000	Nipple-Coupler Assy	1	EA	
13	G3004936	REGULATOR ASSY - NAT (P1 GRILL)	1	EA	
13	G3004937	REGULATOR ASSY - L.P. W/HOSE	1	EA	
14	PB040263	5/16 FERRULE	1	EA	
15	046328-000	NATURAL ROTIS VALVE - KNOB KIT	1	EA	
15	046329-000	LP ROTIS VALVE - KNOB KIT	1	EA	
16	006388-000	GAS VALVE - NAT.	3	EA	
16	006389-000	GAS VALVE - LP	3	EA	
17	PD010012	1/4 x 3/8 VALVE BOLT	6	EA	
18	G3005222	LANDING LEDGE ASSY-41 (PHASE 2) - NLA	1	EA	
19	005999-000	LED BOARD ASSEMBLY	4	EA	
20	PE050019	OVEN LIGHT SWITCH (VGSO166) 90-DEG.	1	EA	
21	PD020056	' #10-24 X 1/2" PH.TR. M.S. *SS*	4	EA	
22	PB010163	OVEN LIGHT SWITCH KNOB *BK* (VESO/D	2	EA	
23	PD030006	CAPPED WASHER PAL NUT	2	EA	
24	050172-000	BEZEL, KNOB	4	EA	
25	003561-000	OUTDOOR GRILL KNOB	3	EA	





Item	Part No.	Name	Qty	Uom	NOTES
26	015009-000	OUTDOOR LOGO - 3" CHROME	1	EA	
27	020041-000	SCR, DR, PH, PNH, 410 SS, NPLT, 6-20 x 3/8	4	EA	
28	003563-000	ROTIS BURNER KNOB	1	EA	
NI	025702-000	HOUSING, XFMR, ASM	1	EA	Not available online / Call for pricing and availability
Not Shown	NOTE	(INCLUDES ITEMS 6, 7, & 8)		EA	
NI	025775-000	MANIFOLD, GAS, ASM, VGBQ4103RE	1	EA	Not available online / Call for pricing and availability
Not Shown	NOTE	(INCLUDES ITEMS 9, 11, 12, 15, 16, & 17)		EA	
NI	026746-000	MANIFOLD, LP, GAS ASM VGBQ4103RE	1	EA	Not available online / Call for pricing and availability
Not Shown	NOTE	(INCLUDES ITEMS 9, 11, 12, 15, 16, & 17)		EA	
NI	025777-000	PANEL, CTRL, ASM VGBQ4103RE2	1	EA	Not available online / Call for pricing and availability
Not Shown	NOTE	(INCLUDES ITEMS 1, 26, 23, 24, 2, 20, 22, 19, 27, & 3)		EA	

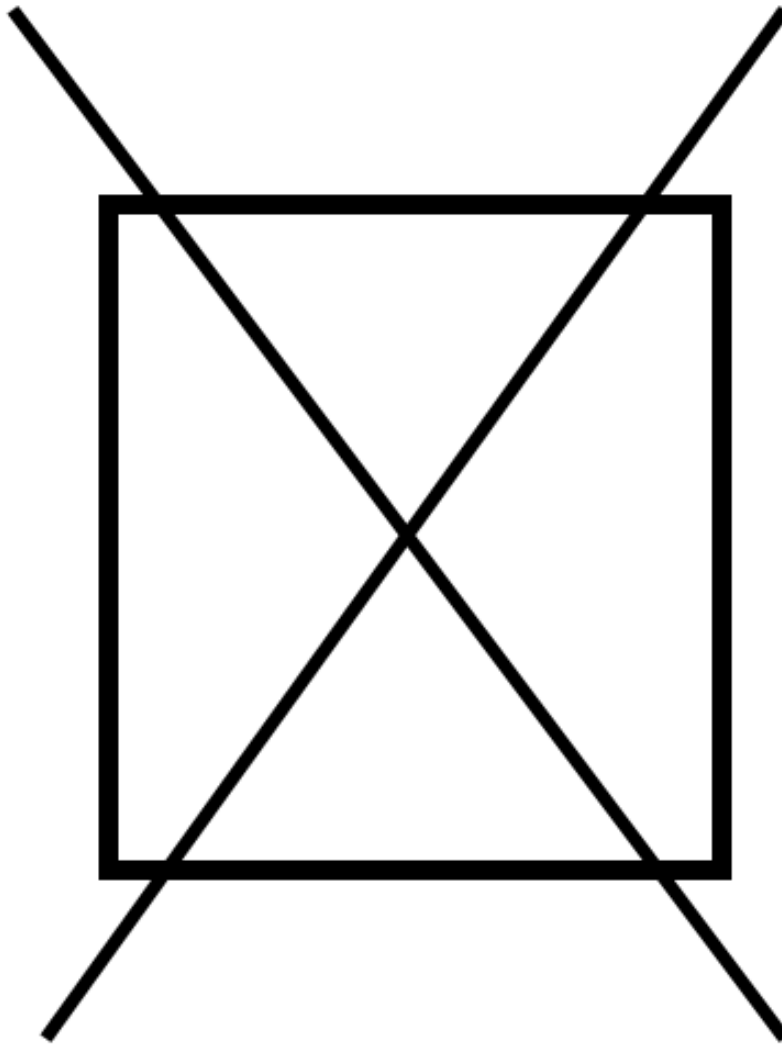
DRIP TRAY





Item	Part No.	Name	Qty	Uom	NOTES
1	J2101749	GREASE PAN	1	EA	
2	PD030044	10-24 KEPS NUT *SS*	7	EA	
3	B2005310	DRIP TRAY 41 (VGBQ4103RT)	1	EA	
4	PC020025	DRIP TRAY WHEEL	4	EA	
5	G3005215	DRIP TRAY SLIDE - RH	1	EA	
6	B2005316	DRIP TRAY RUNNER RH	1	EA	
7	PD020055	' #10 X 1/2" PAN PHIL. TEK.*SS*	12	EA	
8	PD020082	10 X 24 COUNTERSUNK S.S. SCREW	4	EA	
9	PD020056	' #10-24 X 1/2" PH.TR. M.S. *SS*	3	EA	
10	B3005314	41" DRIP TRAY HANDLE (PHASE 2)	1	EA	
11	PD040004	GROMMET BUMPER	2	EA	
12	B2005317	DRIP TRAY RUNNER LH (PHASE 2)	1	EA	
13	G3005214	DRIP TRAY SLIDE - LH	1	EA	
NI	G3205306	41"" DRIP TRAY ASSY (PHASE 2)	1	EA	
Not Shown	NOTE	(INCLUDES ITEMS 3, 12, 6, 4, 8, & 2)		EA	

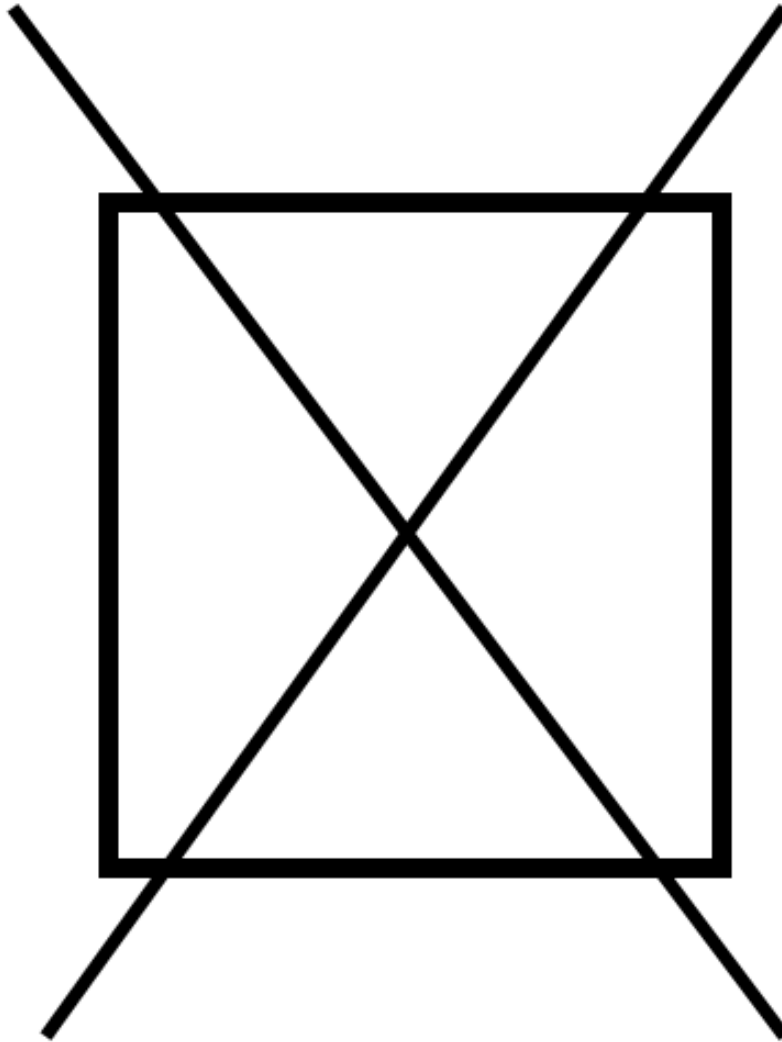
NON ILLUSTRATED PART





Item	Part No.	Name	Qty	Uom	NOTES
NI	026342-000	HARN, MAIN, 4103RE2	1	EA	

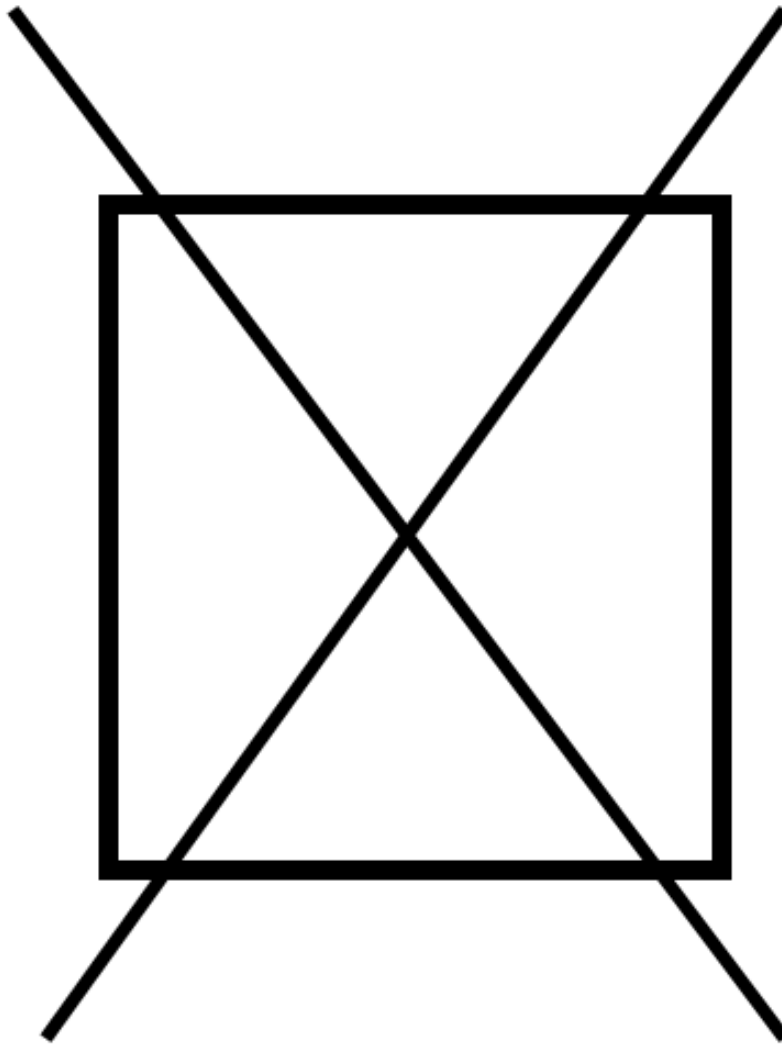
NON
ILLUSTRATED PART





Item	Part No.	Name	Qty	Uom	NOTES
NI	025323-000	HARNESS, WIRE, ROTISSERIE	1	EA	

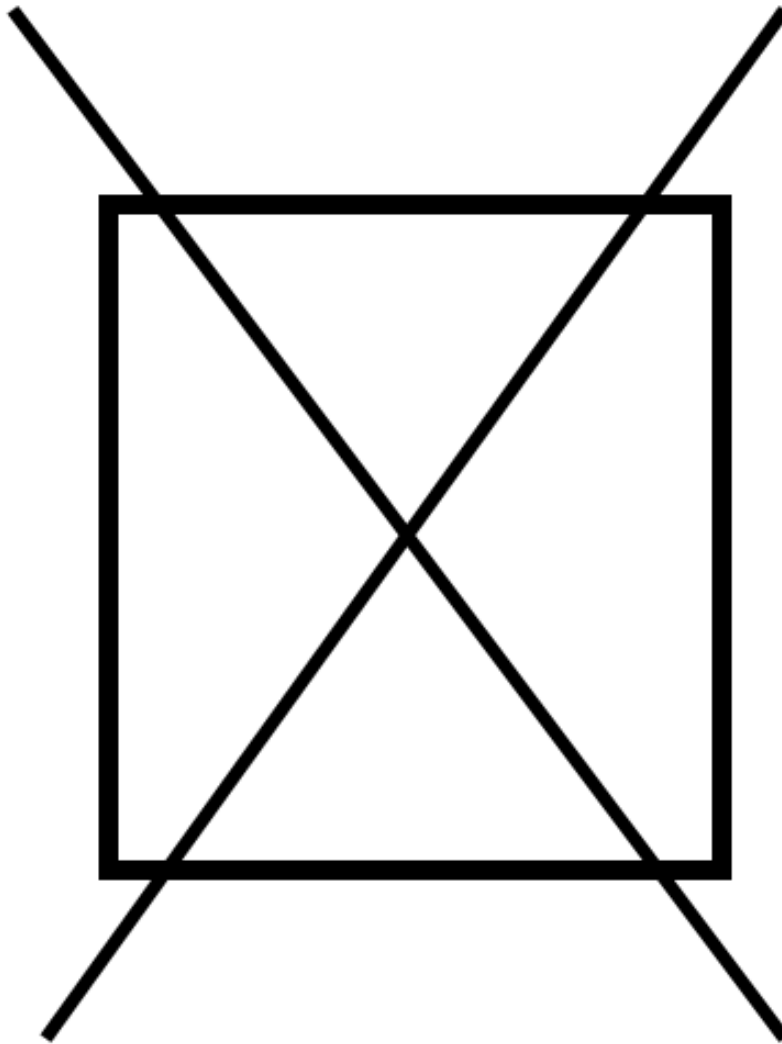
NON
ILLUSTRATED PART





Item	Part No.	Name	Qty	Uom	NOTES
NI	G40016227	IGNITOR WIRE 18"	1	EA	

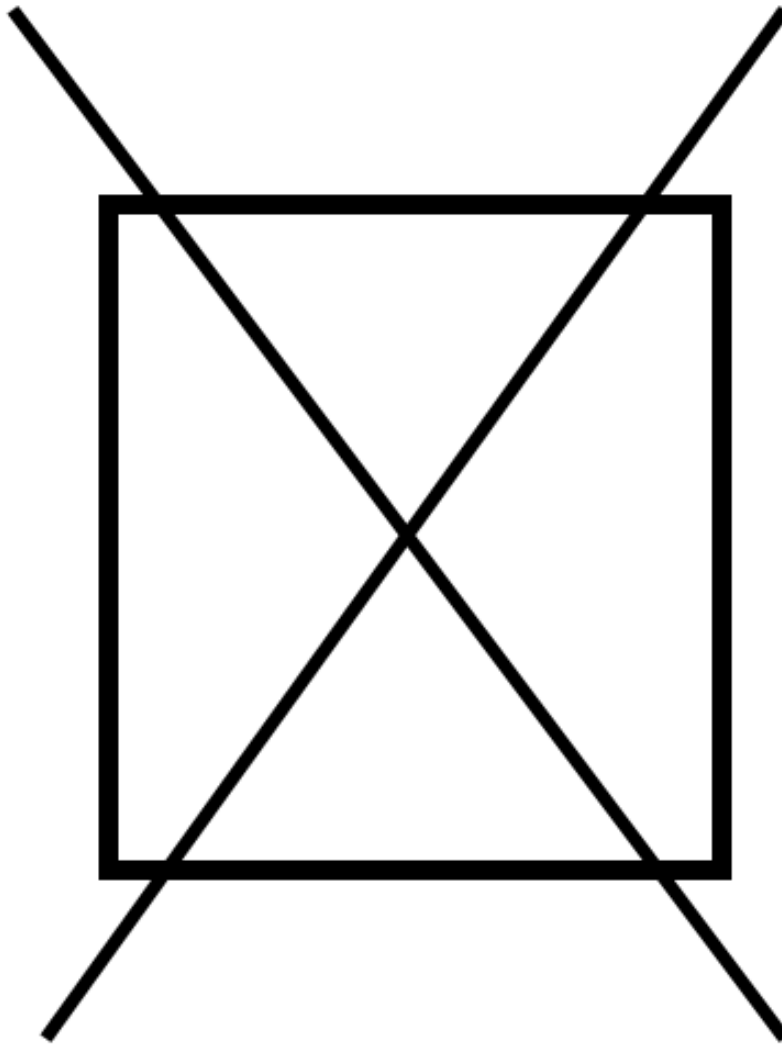
NON
ILLUSTRATED PART





Item	Part No.	Name	Qty	Uom	NOTES
NI	G40016230	IGNITOR WIRE 40"	1	EA	

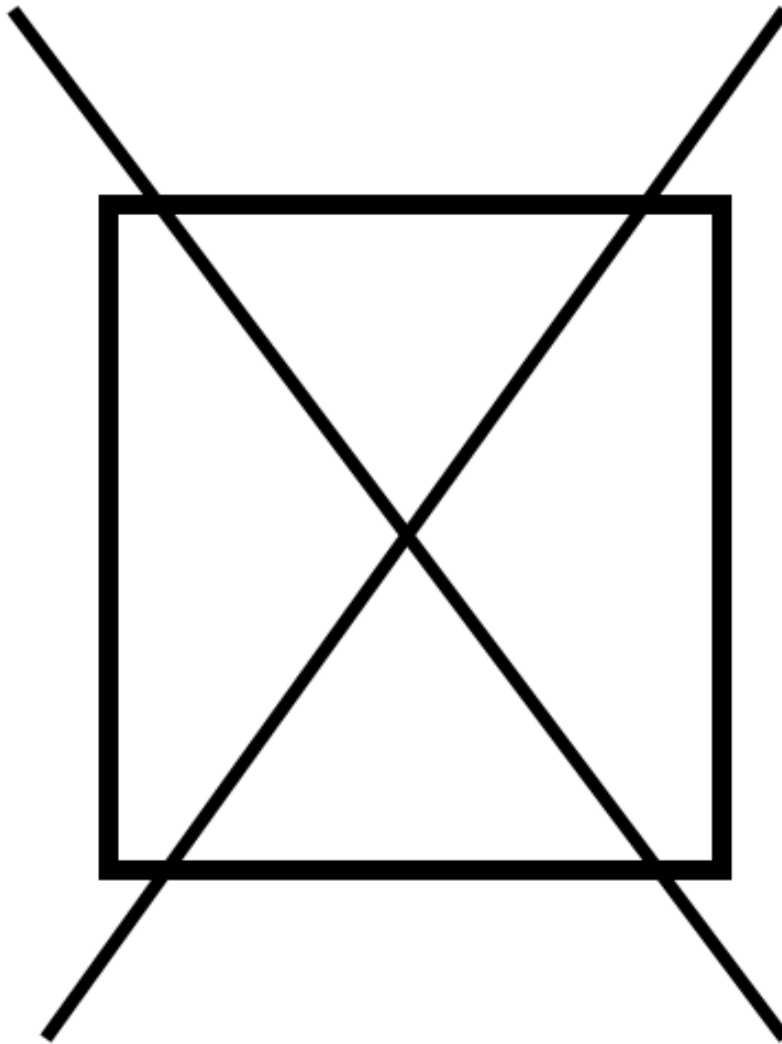
NON ILLUSTRATED PART





Item	Part No.	Name	Qty	Uom	NOTES
NI	006105-000	LED WIRE 11.50"	1	EA	

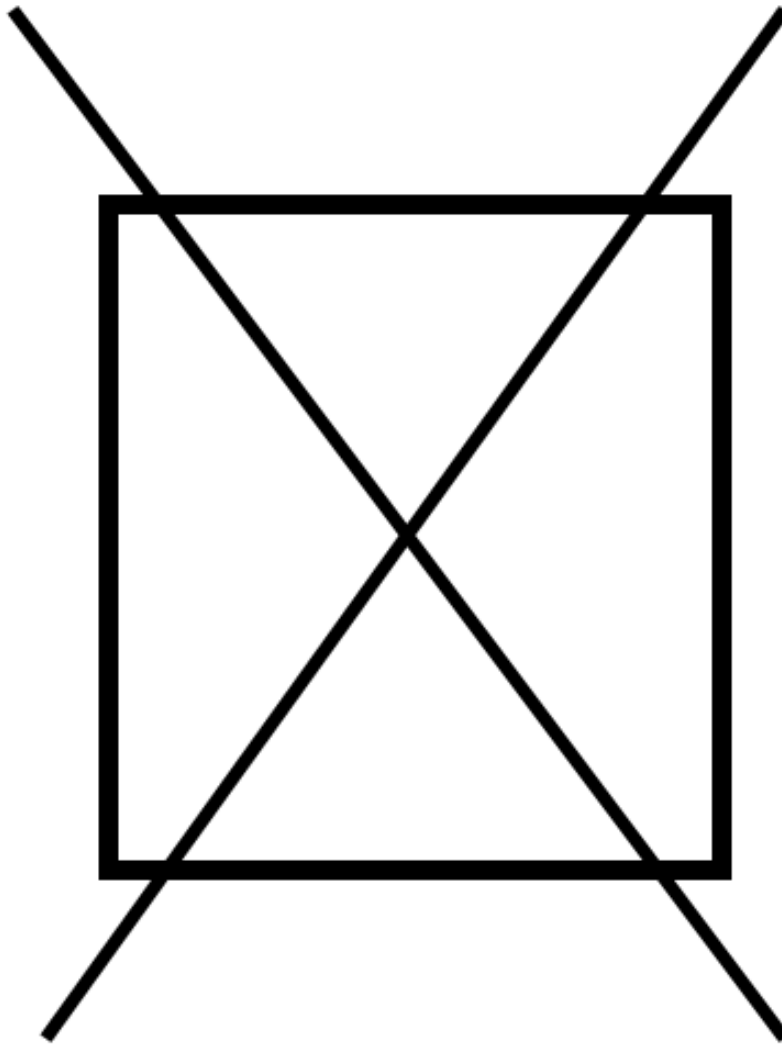
NON
ILLUSTRATED PART





Item	Part No.	Name	Qty	Uom	NOTES
NI	006019-000	LED WIRE 10.75 - NLA	1	EA	

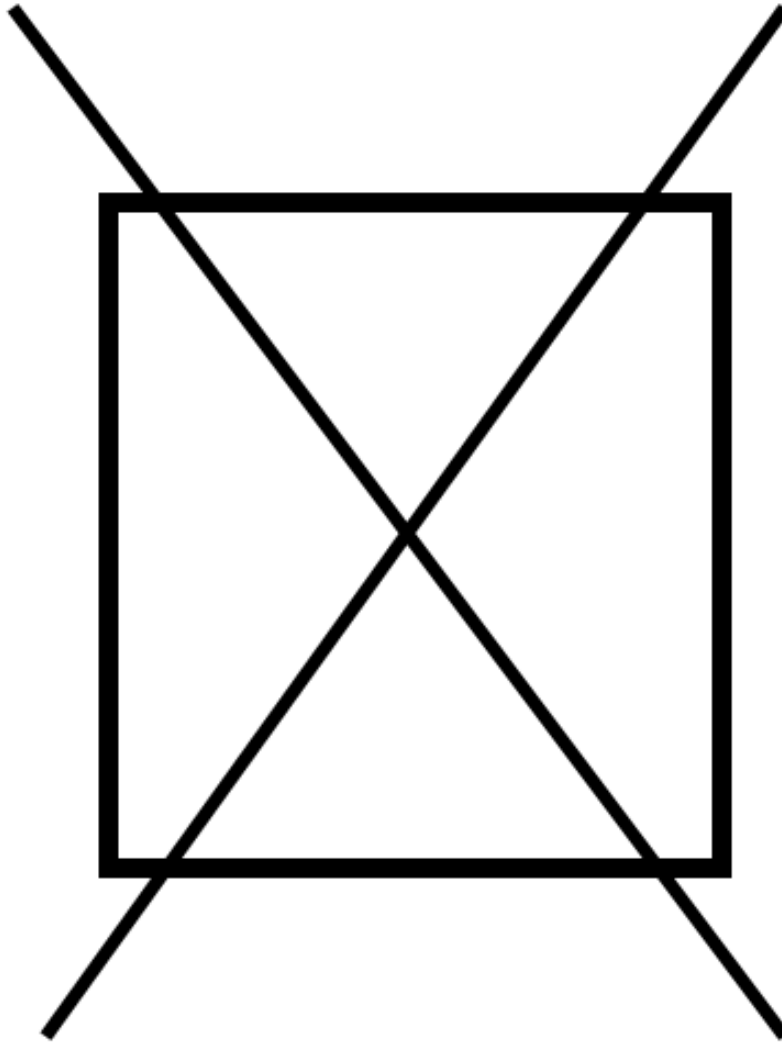
NON
ILLUSTRATED PART





Item	Part No.	Name	Qty	Uom	NOTES
NI	006017-000	LED WIRE 4.875	1	EA	

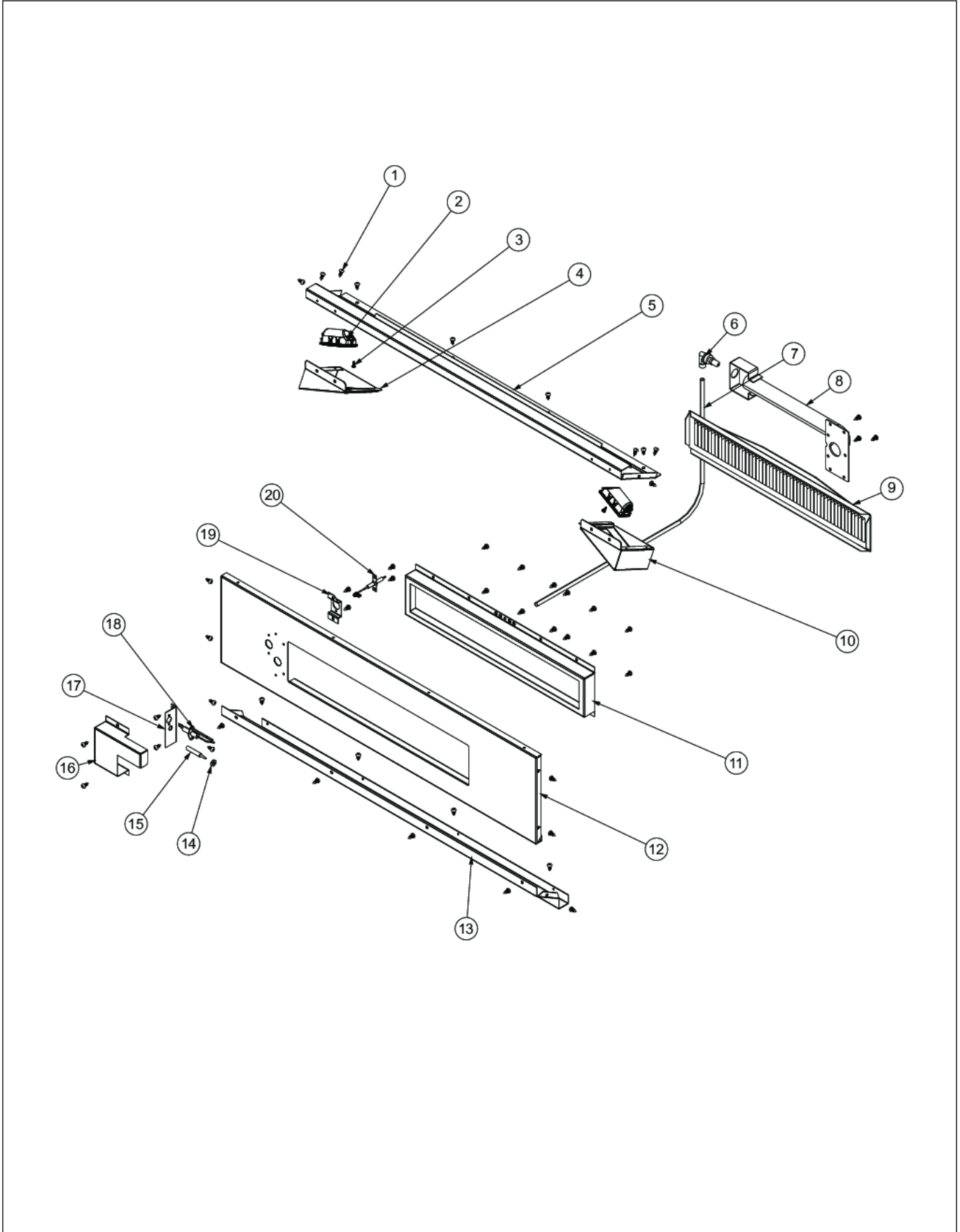
**NON
ILLUSTRATED PART**





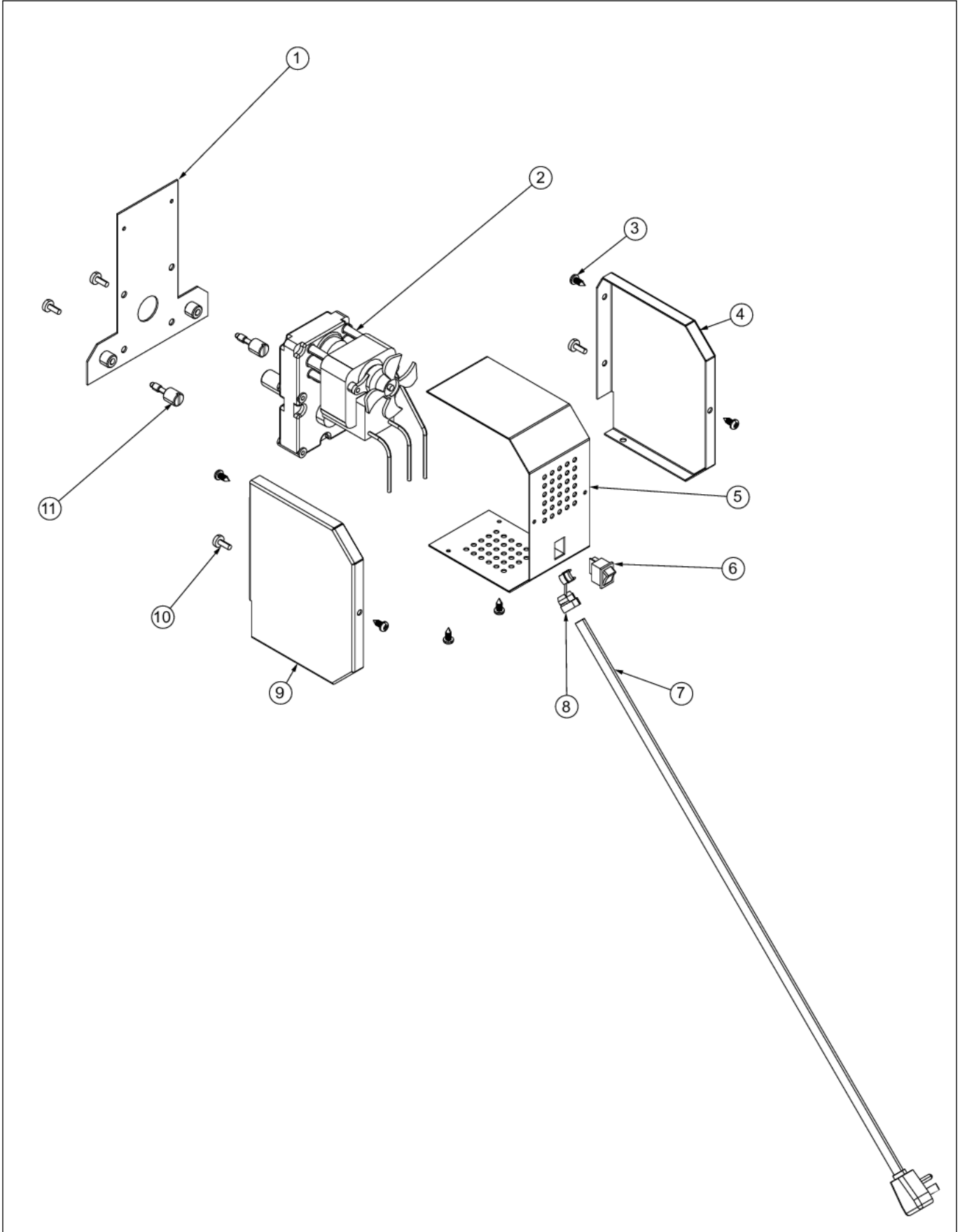
Item	Part No.	Name	Qty	Uom	NOTES
NI	G50013595	LP CONNECTION SERVICE KIT	1	EA	

ROTISSERIE BURNER AREA



Item	Part No.	Name	Qty	Uom	NOTES
1	PD020055	' #10 X 1/2" PAN PHIL. TEK.*SS*	48	EA	
2	001310-000	120V HALOGEN LIGHT	2	EA	
3	020041-000	SCR, DR, PH, PNH, 410 SS, NPLT, 6-20 x 3/8	2	EA	
4	000602-000	GRILL LIGHT HOUSING LH	1	EA	
5	G91015562	41" E SERIES LIGHT BAR	1	EA	NO LONGER AVAILABLE
6	PB040124	90 DEG. ORIFICE FITTING	1	EA	
7	PB020096	48" 5/16 S.S. FLEX TUBING REPL F2003505	1	EA	
8	PB050060	I/R VENTURI (PHASE 2 BBQ)	1	EA	
9	G3005289	I/R Burner Assy	1	EA	
10	000603-000	GRILL LIGHT HOUSING RH	1	EA	
11	B2005347	I/R Frame	1	EA	
12	G91015545	41" FRONT HOUSING WELD ASSY	1	EA	
13	E91014431	FRONT HOUSING BOTTOM 41"	1	EA	
14	PD030048	THERMOCOUPLE NUT M08- VGBQ-8743300007	1	EA	
15	042576-000	THERMOCOUPLE	1	EA	
16	B20015402	I/R IGNITOR COVER LH	1	EA	
17	B20015403	IR IGNITOR BRACKET	1	EA	
18	PB040160	WOK IGNITER	1	EA	
19	B20015401	FLEX IGNITER STAND OFF	1	EA	Not available online / Call for pricing and availability
20	PB040280	FLEXIBLE ROTISSERIE IGNITOR	1	EA	

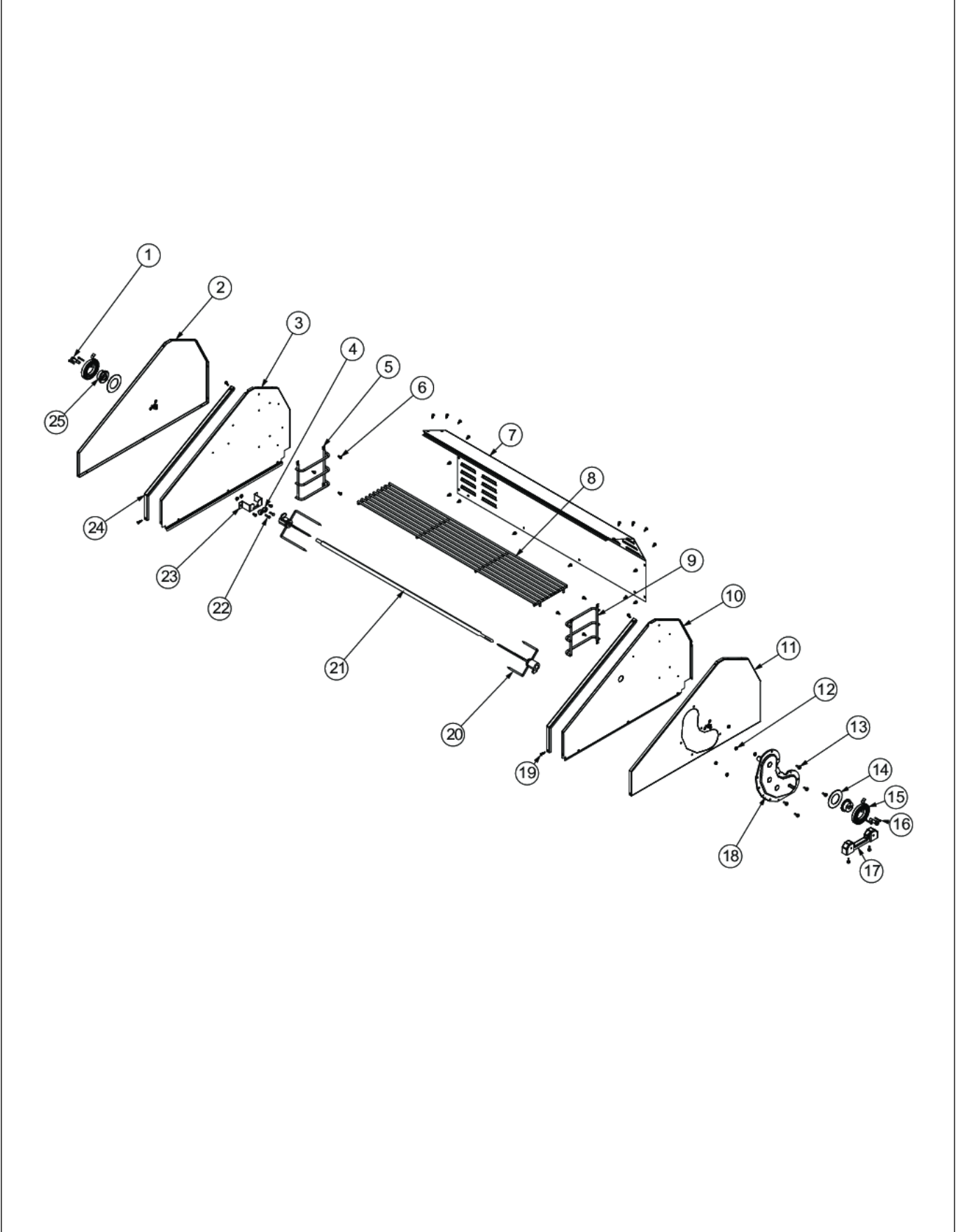
ROTISSERIE MOTOR ASSEMBLY





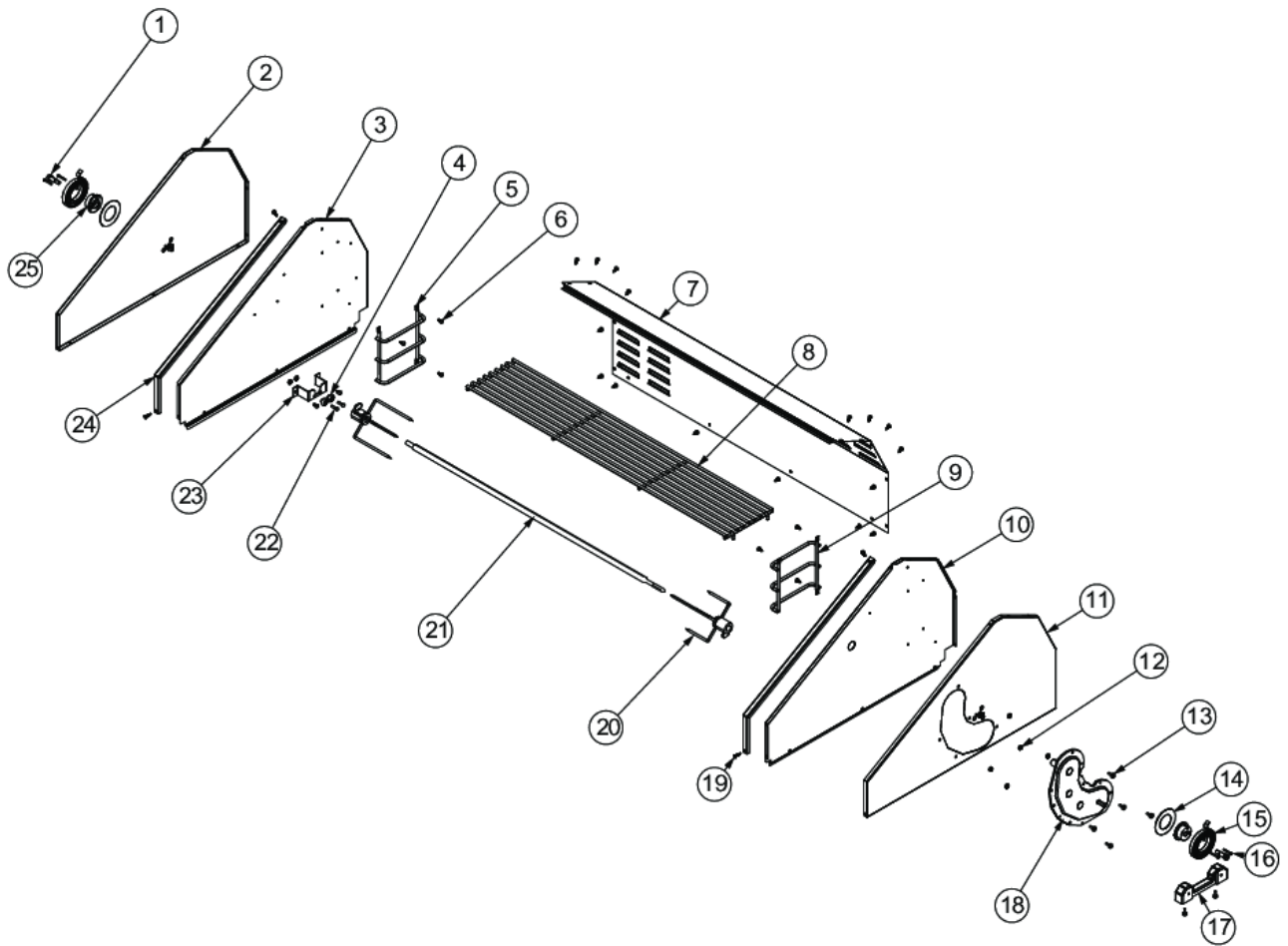
Item	Part No.	Name	Qty	Uom	NOTES
1	002081-000	ROT MOTOR MOUNTING PLATE ASSY	1	EA	
2	PE070184	ROTISSERIE MOTOR	1	EA	
3	PD020055	' #10 X 1/2" PAN PHIL. TEK.*SS*	6	EA	
4	B2005285	PHASE II ROTIS BOX FRONT	1	EA	
5	B2005286	PHASE II ROTIS COVER	1	EA	
6	PE050051	ROTIS SWITCH	1	EA	
7	PE070189	ELECTRICAL SUPPLY CORD - BBQ GRILL	1	EA	
8	PD040044	SNAP THRU BUSHING 1/4"DIA CORD	1	EA	
9	B2005284	PHASE II ROTIS BOX FRONT	1	EA	
10	PD020056	' #10-24 X 1/2" PH.TR. M.S. *SS*	4	EA	
11	PD010090	ROTIS FASTENER KNOB	2	EA	
NI	G3205282	ROTIS MOTOR ASSEMBLY (PHASE 2)	1	EA	
Not Shown	NOTE	(INCLUDES ITEMS 1 THRU 11)		EA	

UPPER GRILLE AREA





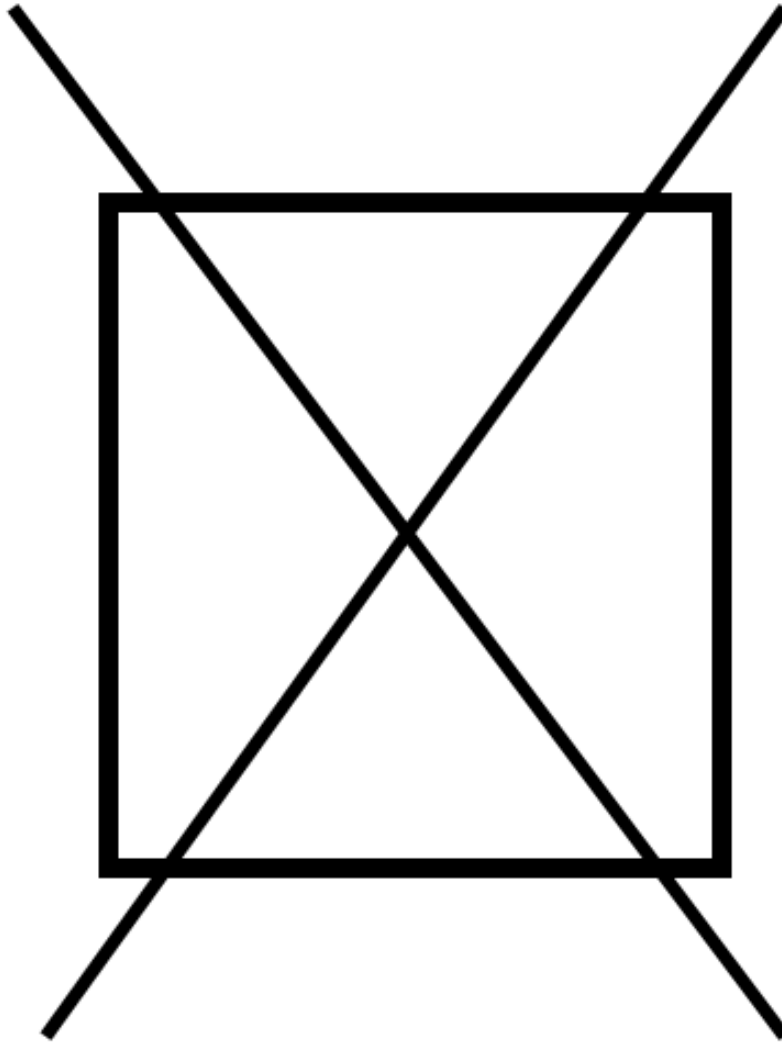
Item	Part No.	Name	Qty	Uom	NOTES
1	034607-000	FASTENER, BOLT, 5/16 - 1-1/2"	2	EA	
2	G5005257	O/S Windshield Assy - LH	1	EA	
3	B20015419	INSIDE WINDSHIELD LH	1	EA	Not available online / Call for pricing and availability
4	PC020025	DRIP TRAY WHEEL	2	EA	
5	PB060113	WARMING RACK SUPPORT LH	1	EA	
6	PD020055	' #10 X 1/2" PAN PHIL. TEK.*SS*	24	EA	
7	003653-000	41" GRILL REAR COVER	1	EA	Not available online / Call for pricing and availability
8	PB060056	Warming Rack	1	EA	
9	PB060112	WARMING RACK SUPPORT RH	1	EA	
10	B20015418	INSIDE WINDSHIELD RH	1	EA	Not available online / Call for pricing and availability
11	G5005256	O/S Windshield Assy - RH	1	EA	Not available online / Call for pricing and availability
12	PD030044	10-24 KEPS NUT *SS*	7	EA	
13	PD020056	' #10-24 X 1/2" PH.TR. M.S. *SS*	7	EA	
14	007818-000	RETAINER, CANOPY SPRING	2	EA	
15	007206-000	CANOPY, SPRING, ASSIST-LIGHT	2	EA	
16	006779-000	#6-32 x 1.0 SS FLAT HD SCREW	4	EA	
17	PB060055	Rotis. Mount Casting	1	EA	
18	PC070024_	ROTIS. GEAR BOX ASSY	1	EA	Not available online / Call for pricing and availability
19	020037-000	SCR, DR, FCSKHP, 410 SS, NPLT, 8-18 x 3/4	4	EA	
20	032881-000	FORK, RTSR	2	EA	
21	PB060053	Spit Rod	1	EA	
22	PD020082	10 X 24 COUNTERSUNK S.S. SCREW	2	EA	





Item	Part No.	Name	Qty	Uom	NOTES
23	B2005278	ROTISSERIE ROLLER BRACKET (PHASE 2)	1	EA	
24	B20015574	GRILL WINDSHIELD TRIM	1	EA	
25	005942-000	SPRING INDEX	2	EA	

NON
ILLUSTRATED PART





Item	Part No.	Name	Qty	Uom	NOTES
NI	G4006379	WIRE ASSY (VGBQ-T SERIES) 25"	1	EA	



Appendix A:Pages Index

30 & 41 WIRE ASSEMBLY 1
BURNER BOX AREA 2
BURNER GRATE AREA 3
CANOPY AREA 4
CONTROL PANEL 5
DRIP TRAY 6
HARN, MAIN, 4103RE2 7
HARNESS, WIRE, ROTISSERIE 8
IGNITOR WIRE 18 9
IGNITOR WIRE 40 10
LED 11.50 11
LED WIRE 10.75 12
LED WIRE 4.875 13
LP CONNECTION SERVICE KIT 14
ROTISSERIE BURNER AREA 15
ROTISSERIE MOTOR ASSEMBLY 16
UPPER GRILLE AREA 17
WIRE ASSY 25 18



Appendix B:Parts Index

000268-000	4	008026-000	3, 5
000602-000	15	008091-000	3
000603-000	15	015009-000	5
001310-000	15	020037-000	17
002081-000	16	020041-000	5, 15
002353-000	2	021084-000	2
002354-000	2	021085-000	2
002355-000	2	023000-000	3
002369-000	3	023653-000	5
002370-000	3	024157-000	3
002671-000	2	025323-000	8
002884-000	5	025700-000	2
003561-000	5	025701-000	3
003563-000	5	025702-000	5
003630-000	4	025728-000	5
003632-000	4	025752-000	2
003633-000	4	025756-000	4
003637-000	4	025773-000	2
003653-000	17	025774-000	2
003857-000	2	025775-000	5
004089-000	2	025776-000	5
004706-000	3	025777-000	5
005941-000	4	025893-000	4
005942-000	17	026342-000	7
005999-000	5	026724-000	4
006010-000	2	026746-000	5
006011-000	2	027596-000	3
006017-000	13	032881-000	17
006019-000	12	034607-000	17
006021-000	5	042576-000	15
006105-000	11	042720-000	4
006384-000	1	046328-000	5
006388-000	5	046329-000	5
006389-000	5	050172-000	4, 5
006779-000	17	A20015411	2
007206-000	17	A20015412	2
007215-000	4	B20015401	15
007379-000	4	B20015402	15
007657-000	5	B20015403	15
007818-000	17	B20015418	17
		B20015419	17



B20015509	2	PB020114	3
B20015512	2	PB040124	15
B20015515	2	PB040160	15
B20015568	2	PB040228	5
B20015574	17	PB040263	5
B2005203	2	PB040280	15
B2005204	2	PB050060	15
B2005278	17	PB060053	17
B2005284	16	PB060055	17
B2005285	16	PB060056	17
B2005286	16	PB060112	17
B2005310	6	PB060113	17
B2005316	6	PC020025	6, 17
B2005317	6	PC070024	17
B2005347	15	PD010012	5
B2006305	2	PD010090	16
B30015552	2	PD020055	2, 4, 5, 6, 15, 16, 17
B3005314	6	PD020056	2, 4, 5, 6, 16, 17
E91014431	15	PD020069	4
G3004936	5	PD020073	5
G3004937	5	PD020082	6, 17
G3005214	6	PD020166	2
G3005215	6	PD030006	5
G3005222	5	PD030044	6, 17
G3005289	15	PD030048	15
G3205282	16	PD030050	2, 5
G3205306	6	PD040004	6
G40016227	9	PD040010	4
G40016230	10	PD040044	2, 16
G4006379	18	PE030040	4
G50013595	14	PE050019	5
G5005256	17	PE050051	16
G5005257	17	PE050063	5
G91015545	15	PE070184	16
G91015562	15	PE070189	16
J2101749	6	PE070791	2
L1004881	2	PE070855	2
L1005398	2		
PA020047	2		
PB010163	5		
PB020096	15		