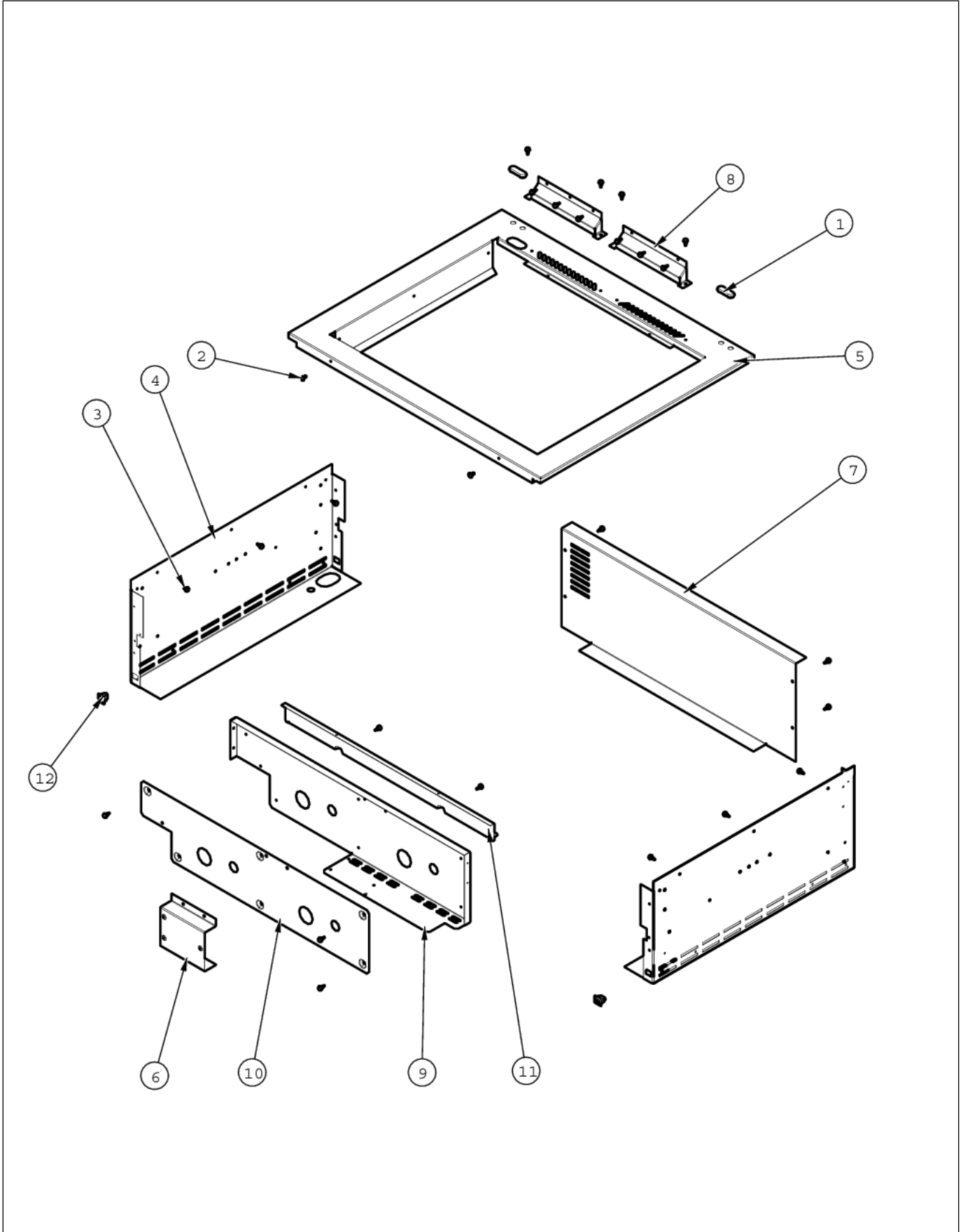


VGBQ33002RE

BASE	1
BURNER BASE	2
CANOPY	3
CONTROL PANEL	4
DRIP TRAY	5
UPPER BURNER	6
WIRING	7
Natural Gas Asm	8
LP Gas Asm	9
Appendix A:Pages Index	A
Appendix B:Parts Index	B

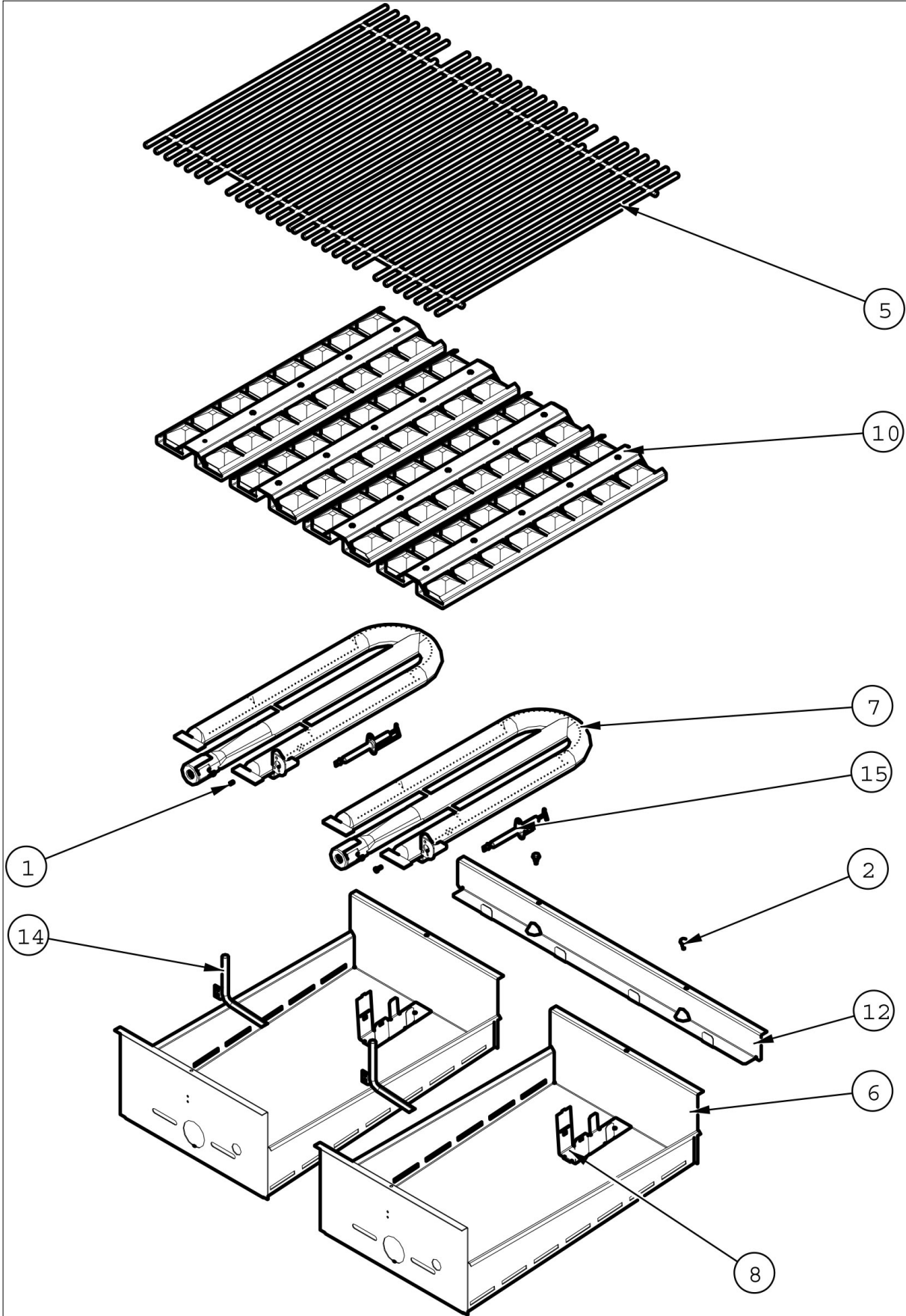
BASE





Item	Part No.	Name	Qty	Uom	NOTES
1	002671-000	RUBBER DOOR BUMPER	2	EA	
2	014143-000	SCR 10-12 A SHLD TRP 1/2 S ZN BLUE	2	EA	
3	PD020055	' #10 X 1/2" PAN PHIL. TEK.*SS*	25	EA	
4	029459-000	PANEL, LWR SIDE	2	EA	
5	029460-000	FRAME, GRL, TOP	1	EA	
6	031570-000	BRACKET, MOUNTING, MODULE	1	EA	
7	031849-000	BRACKET, BACK SUPPORT	1	EA	
8	035606-000	FLUE DIVERter, 30	2	EA	
9	035648-000	PANEL, SUPPORT, HEAT SHIELD	1	EA	
10	035668-000	PANEL, FRONT, HEAT SHIELD	1	EA	
11	036024-000	SUPPORT, TRAY, BRIQUETTE, 30	1	EA	
12	PD950013	LATCH PANEL ACCESS	2	EA	

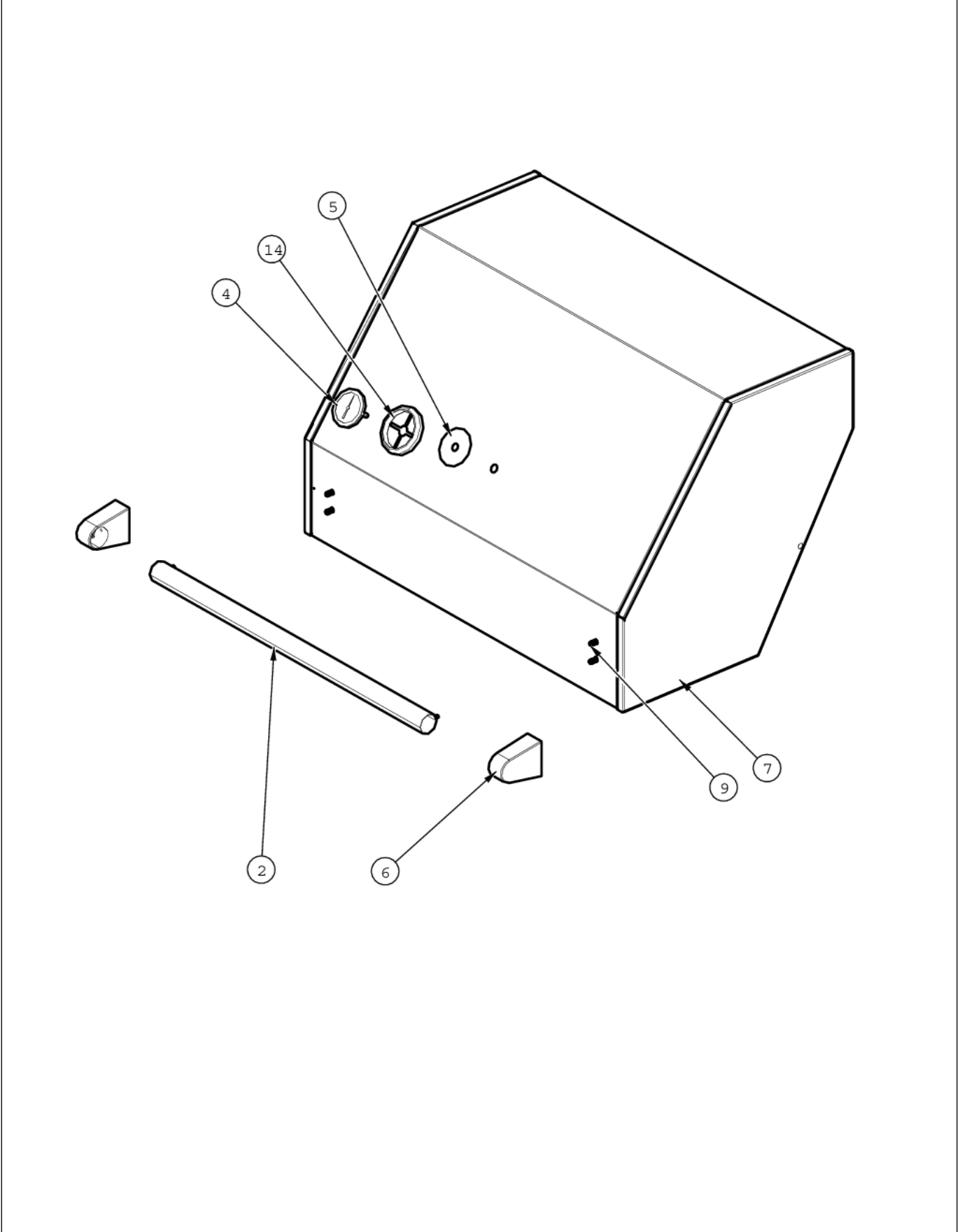
BURNER BASE





Item	Part No.	Name	Qty	Uom	NOTES
1	004706-000	MACHINE SCREW, 6-32 x 3/8, PAN HD, PHILLIPS	4	EA	
2	PD020055	' #10 X 1/2" PAN PHIL. TEK.*SS*	4	EA	
5	029434-000	GRATE, BQ GRILL	2	EA	
6	029461-000	BOX, U BURNER, 30	2	EA	
7	029479-000	U-BURNER, BQ ASM	2	EA	
8	032239-000	BRACKET, REAR GRILL BURNER	1	EA	
10	032370-000	TRAY, CRMC, BRIQUETTE, ASM	4	EA	
12	036024-000	SUPPORT, TRAY, BRIQUETTE, 30	1	EA	
14	PB020114	FLASH TUBE (VGBQ3002T)	1	EA	
15	008091-000	PB040288 IGNITOR KIT	2	EA	

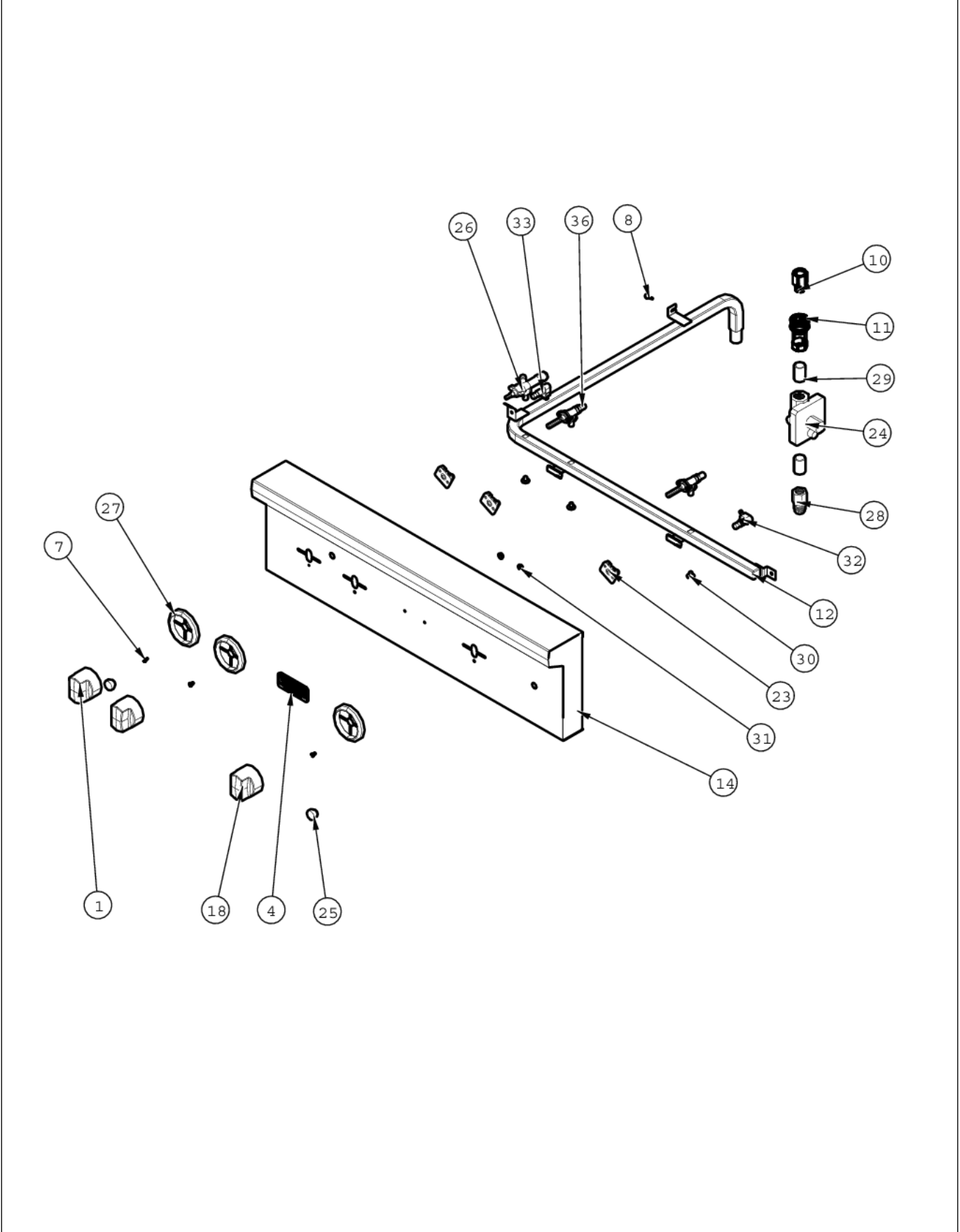
CANOPY





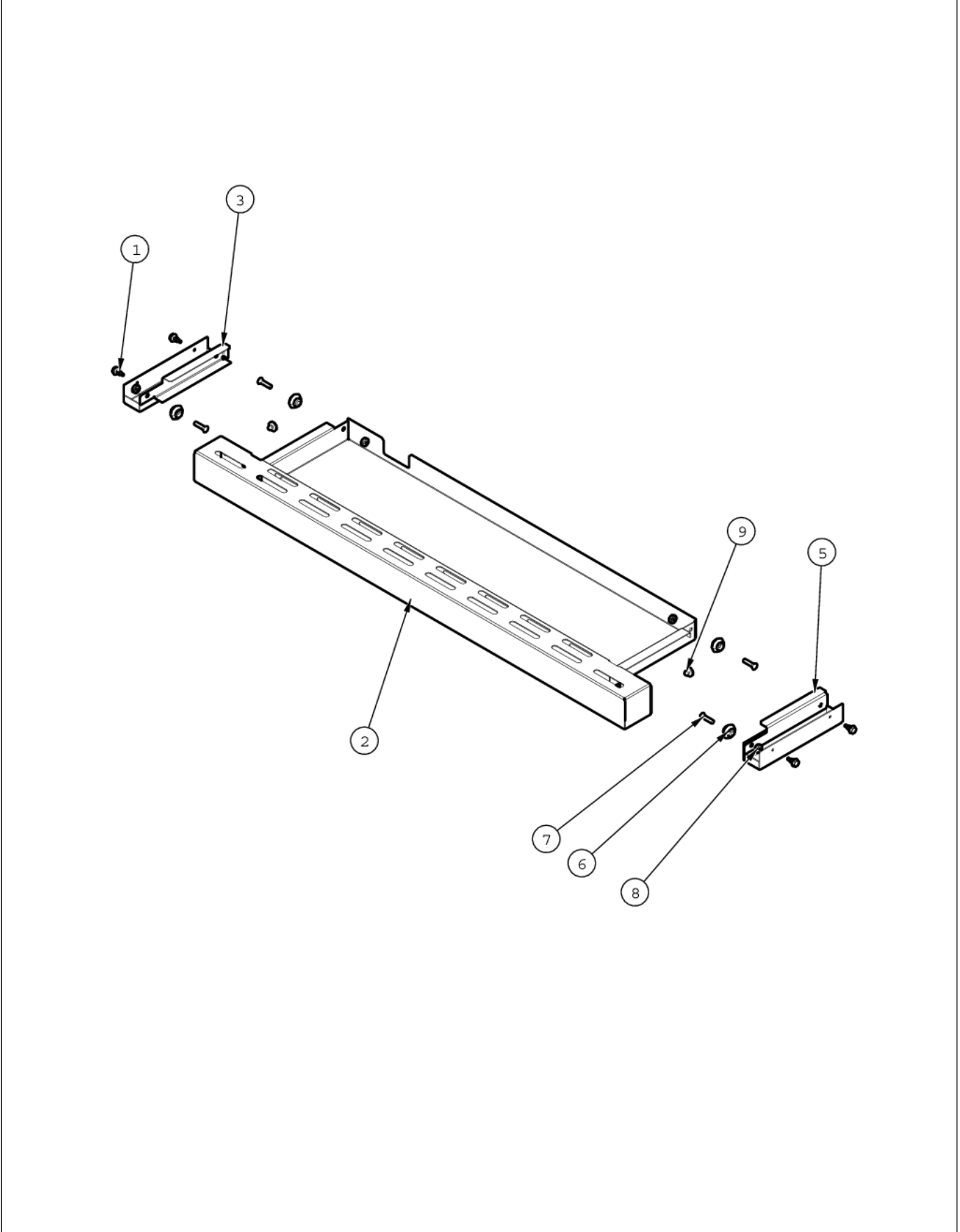
Item	Part No.	Name	Qty	Uom	NOTES
2	019277-000	DOOR HANDLE, 24"	1	EA	
4	042720-000	GAUGE, BMTL, TEMPERATURE	1	EA	
5	026724-000	SPACER, WSHR	1	EA	
6	026965-000	END CAP, ASM, DOOR HANDLE	2	EA	
7	035864-000	HOOD, BQ, 30" ASM	1	EA	
9	035647-000	FASTENER, BOLT, HXH, SST	4	EA	
14	050172-000	BEZEL, KNOB	1	EA	
NI	036547-000	GROMMET, RECTANGLE RUBBER	2	EA	
Not Shown	NOTE	(USED ON CANOPY)		EA	

CONTROL PANEL



Item	Part No.	Name	Qty	Uom	NOTES
1	003563-000	ROTIS BURNER KNOB	1	EA	
4	015009-000	OUTDOOR LOGO - 3" CHROME	1	EA	
7	020041-000	SCR, DR, PH, PNH, 410 SS, NPLT, 6-20 x 3/8	3	EA	
8	PD020055	' #10 X 1/2" PAN PHIL. TEK.*SS*	3	EA	
10	023653-000	Nipple-Coupler Assy	1	EA	
11	023653-000	Nipple-Coupler Assy	1	EA	
12	029468-000	MANIFOLD, ASM	1	EA	
14	032728-2384	PANEL, CNTRL WELD W/GRAPHICS, BQ13002R	1	EA	Not available online / Call for pricing and availability
18	003561-000	OUTDOOR GRILL KNOB	2	EA	
23	PA020045	Spark Ignition Switch	3	EA	
24	PA070005	PRESSURE REG.(LP) RV47L- 77-10.0	1	EA	
24	PA070006	PRESSURE REG.(NAT.)-4"-FOR BBQ GRIL - NLA	1	EA	
25	PB010163	OVEN LIGHT SWITCH KNOB *BK* (VESO/D	1	EA	
26	046329-000	LP ROTIS VALVE - KNOB KIT	1	EA	
27	050172-000	BEZEL, KNOB	3	EA	
28	PB020239	7/8 FLARE TO 1/2 FEMALE CONNECTOR	1	EA	
29	PB040046	1/2" CLOSE NIPPLE	2	EA	
30	PD010012	1/4 x 3/8 VALVE BOLT	3	EA	
31	PD030006	CAPPED WASHER PAL NUT	2	EA	
32	PE050019	OVEN LIGHT SWITCH (VGSO166) 90-DEG.	1	EA	
33	PE050063	SPARKER SWITCH (PHASE 2)	1	EA	
36	014953-000	VALVE, GAS, ASM, U BNR - LP #54	2	EA	
36	014952-000	VALVE, GAS, ASM, U BNR #40	2	EA	
NI	PB020227	HIGH PRESSURE LP HOSE	1	EA	
NI	PA010138	CYLINDER CONNECTION	1	EA	
NI	PA070007	LP TANK REGULATOR (VGBQ)	1	EA	
NI	PA020047	INVENSYS 0+4 RE-IGNITION SPARK MODULE	1	EA	

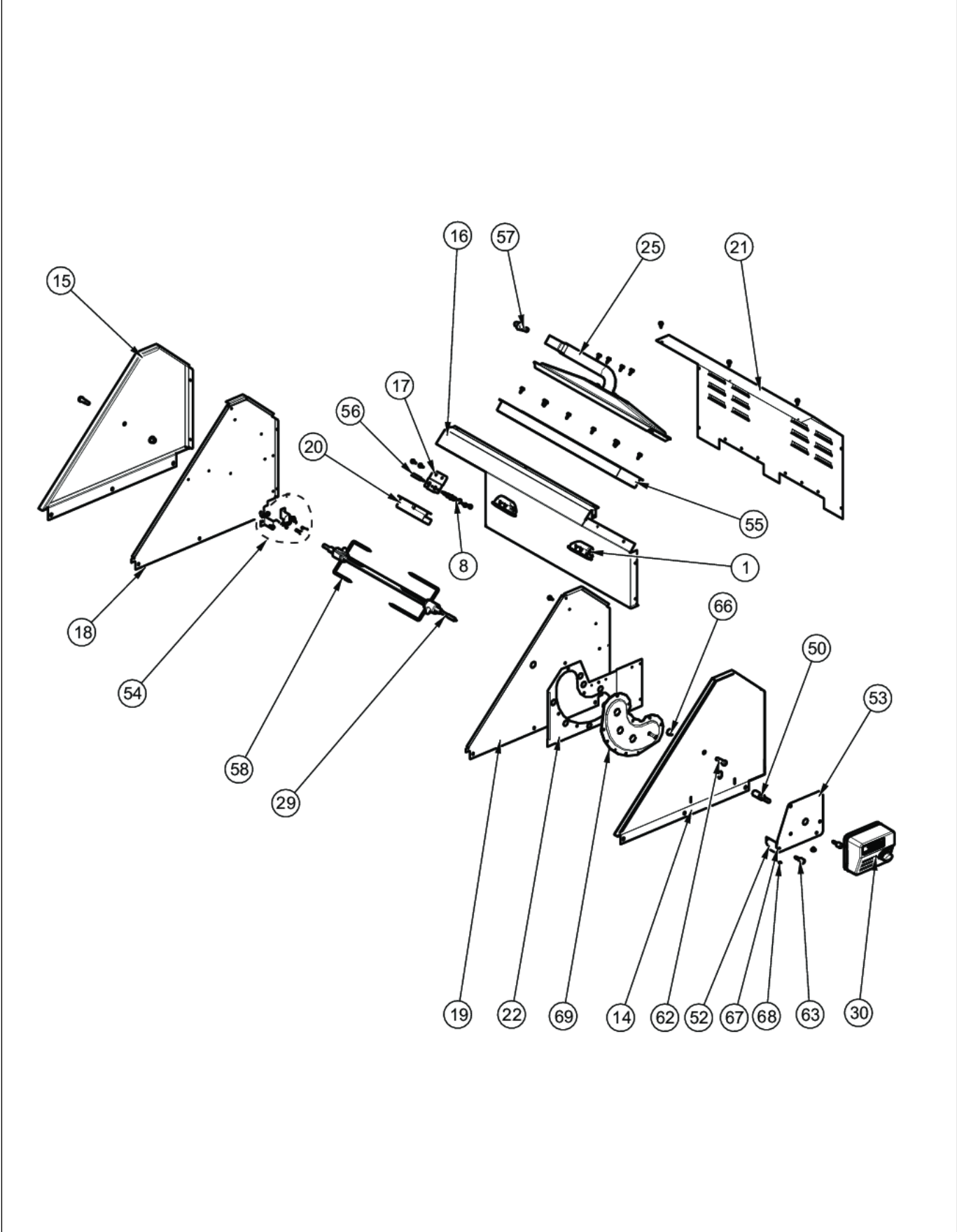
DRIP TRAY



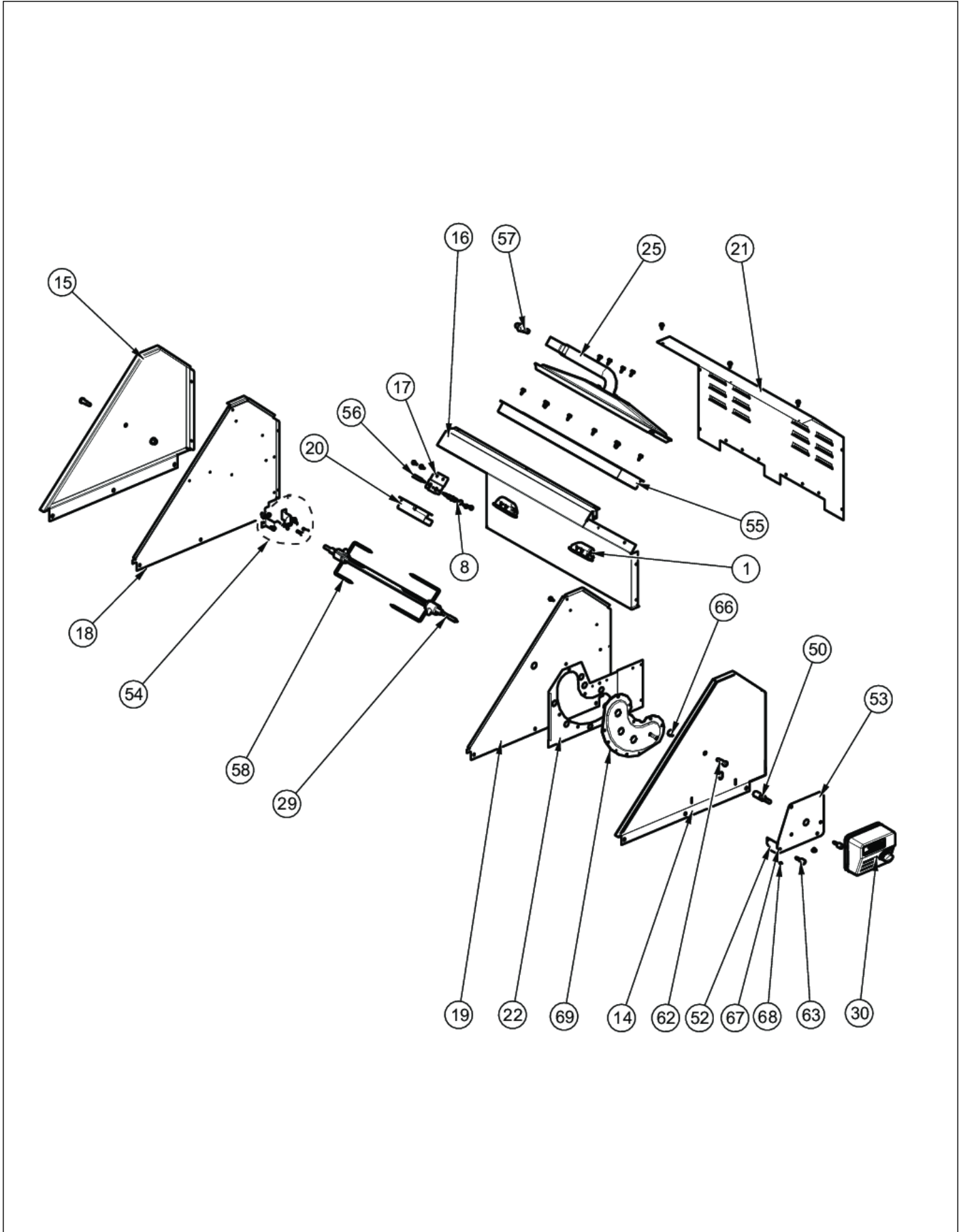


Item	Part No.	Name	Qty	Uom	NOTES
1	PD020055	' #10 X 1/2" PAN PHIL. TEK.*SS*	4	EA	
2	031548-000	DRIP TRAY ASM, BQ, 30"	1	EA	
3	031555-000	DRIP TRAY GUIDE, LH	1	EA	
5	031554-000	DRIP TRAY GUIDE, RH	1	EA	
6	PC020025	DRIP TRAY WHEEL	4	EA	
7	PD020082	10 X 24 COUNTERSUNK S.S. SCREW	4	EA	
8	PD030044	10-24 KEPS NUT *SS*	4	EA	
9	PD040004	GROMMET BUMPER	2	EA	

UPPER BURNER



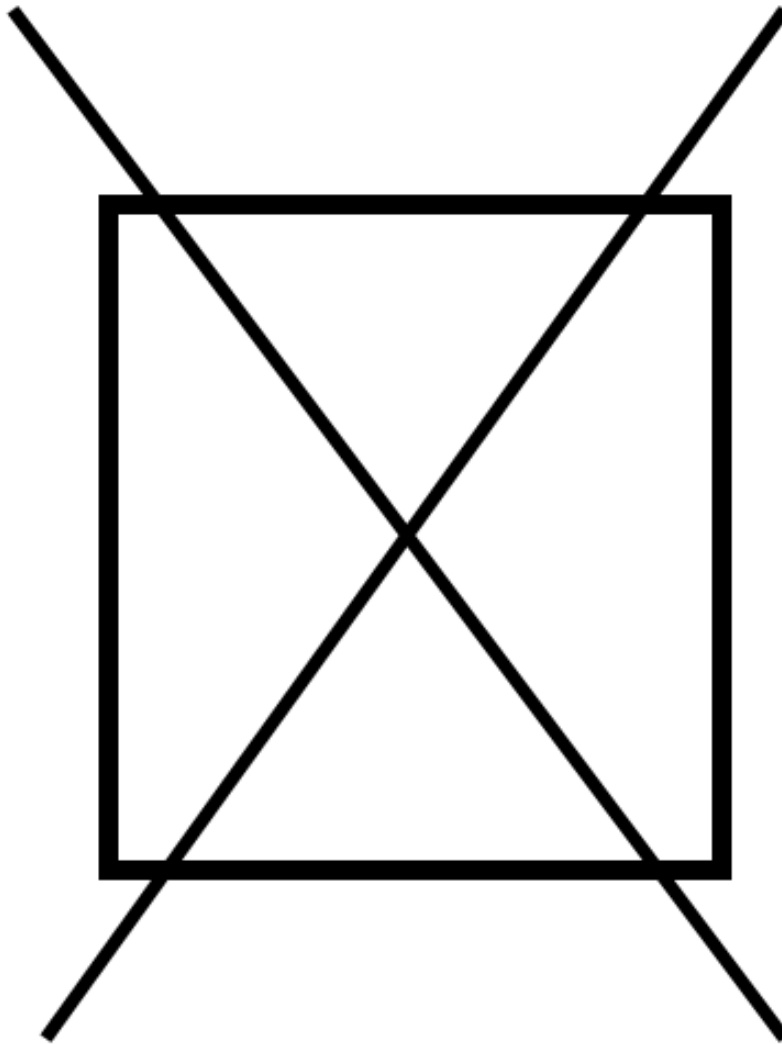
Item	Part No.	Name	Qty	Uom	NOTES
1	034082-000	120V HALOGEN LIGHT ASM	2	EA	
8	015357-000	IGNITOR, W/WIRE	1	EA	
14	029451-000	WINDSHIELD, BQ, OS, RH	1	EA	
15	029452-000	WINDSHIELD, BQ, OS, LH	1	EA	
16	029453-000	BACKPLATE, BQ, INT	1	EA	
17	029454-000	BRACKET, ROTIS IGNITOR, MTG	1	EA	
18	029455-000	WINDSHIELD, BQ, IS, LH	1	EA	
19	029456-000	WINDSHIELD, BQ, IS, RH	1	EA	
20	029457-000	COVER, ROTIS IGNITOR	1	EA	
21	029462-000	PANEL, REAR BQ	1	EA	
22	029463-000	SUPPORT, GEAR	1	EA	
25	G3005289	I/R Burner Assy	1	EA	
29	PB060054	ROTIS SPIT ROD 30"	1	EA	
30	032461-000	MOTOR, ROTIS (COMES WITH POWER CORD)	1	EA	
50	037377-000	ADAPTER, HEX, ROTISSERIE MOTOR ADAPTER	1	EA	
52	035056-000	SUPPORT BRACKET, MTG, RTSR	1	EA	
53	035368-000	SUPPORT BRACKET, MTG, RTSR MTR	1	EA	
Not Shown	NOTE	(IF BUILT BEFORE 4/23/12 ORDER 038269-000)		EA	
NI	038269-000	ROTIS MOUNTING BRACKET KIT	1	EA	
NI	037377-000	ADAPTER, HEX, ROTISSERIE MOTOR ADAPTER	1	EA	
54	037589-000	ROLLER, BRKT, ROTIS, ASM	1	EA	
55	B2005347	I/R Frame	1	EA	
56	PB010162	THERMOCOUPLE - BBQ GRILL W/ ROTIS	1	EA	
57	PB050060	I/R VENTURI (PHASE 2 BBQ)	1	EA	
58	032881-000	FORK, RTSR	2	EA	
62	034607-000	FASTENER, BOLT, 5/16 - 1-1/2"	2	EA	
63	PD010090	ROTIS FASTENER KNOB	2	EA	
66	PD030063	10-C05-HC 5/16-18 FLANGE NUT	2	EA	





Item	Part No.	Name	Qty	Uom	NOTES
67	PD030064	CAPTURE NUT 1/4" #20	2	EA	
68	PD040004	GROMMET BUMPER	2	EA	
69	PC070024	ROTIS. GEAR BOX ASSY	1	EA	

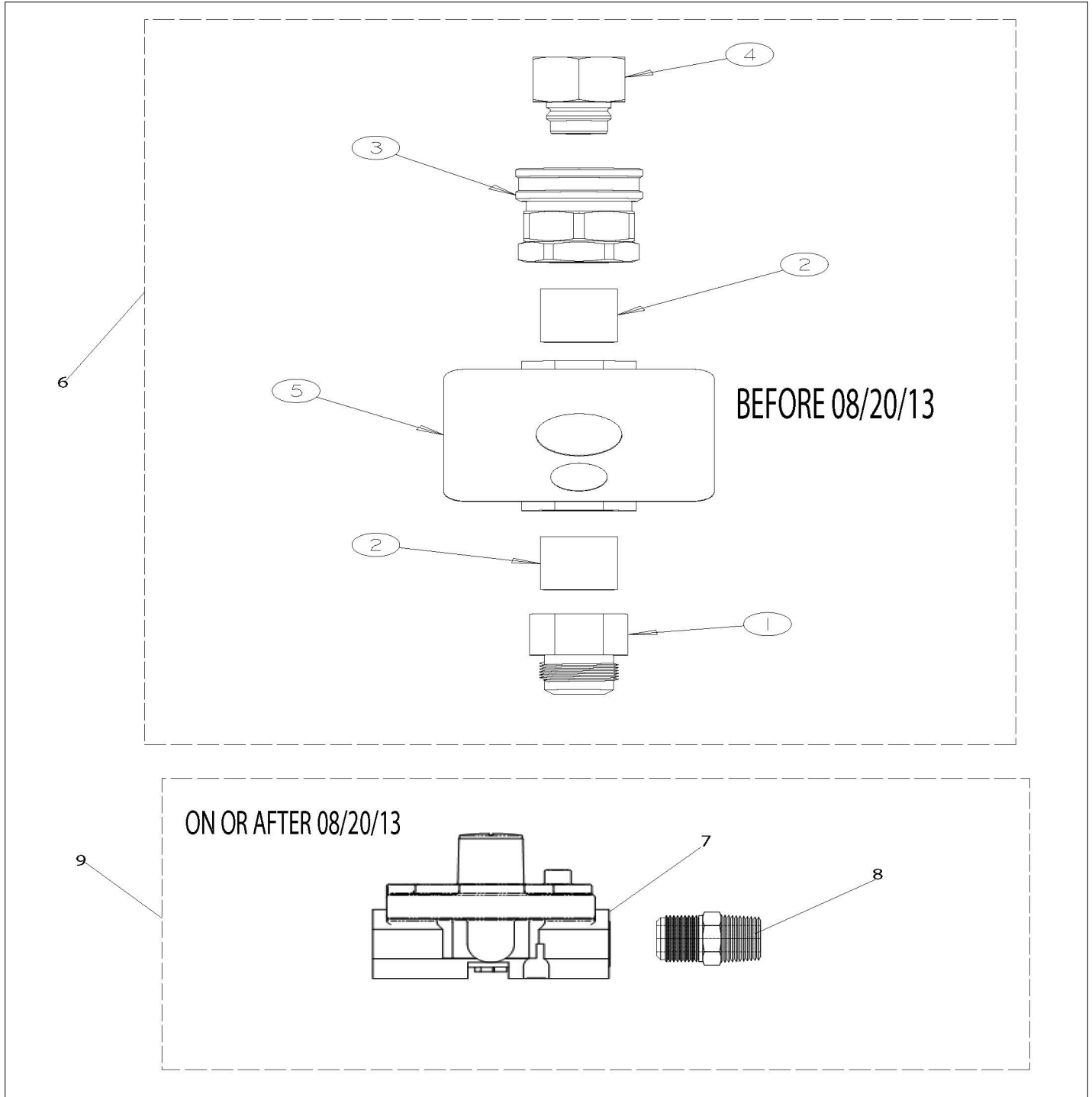
NON ILLUSTRATED PART





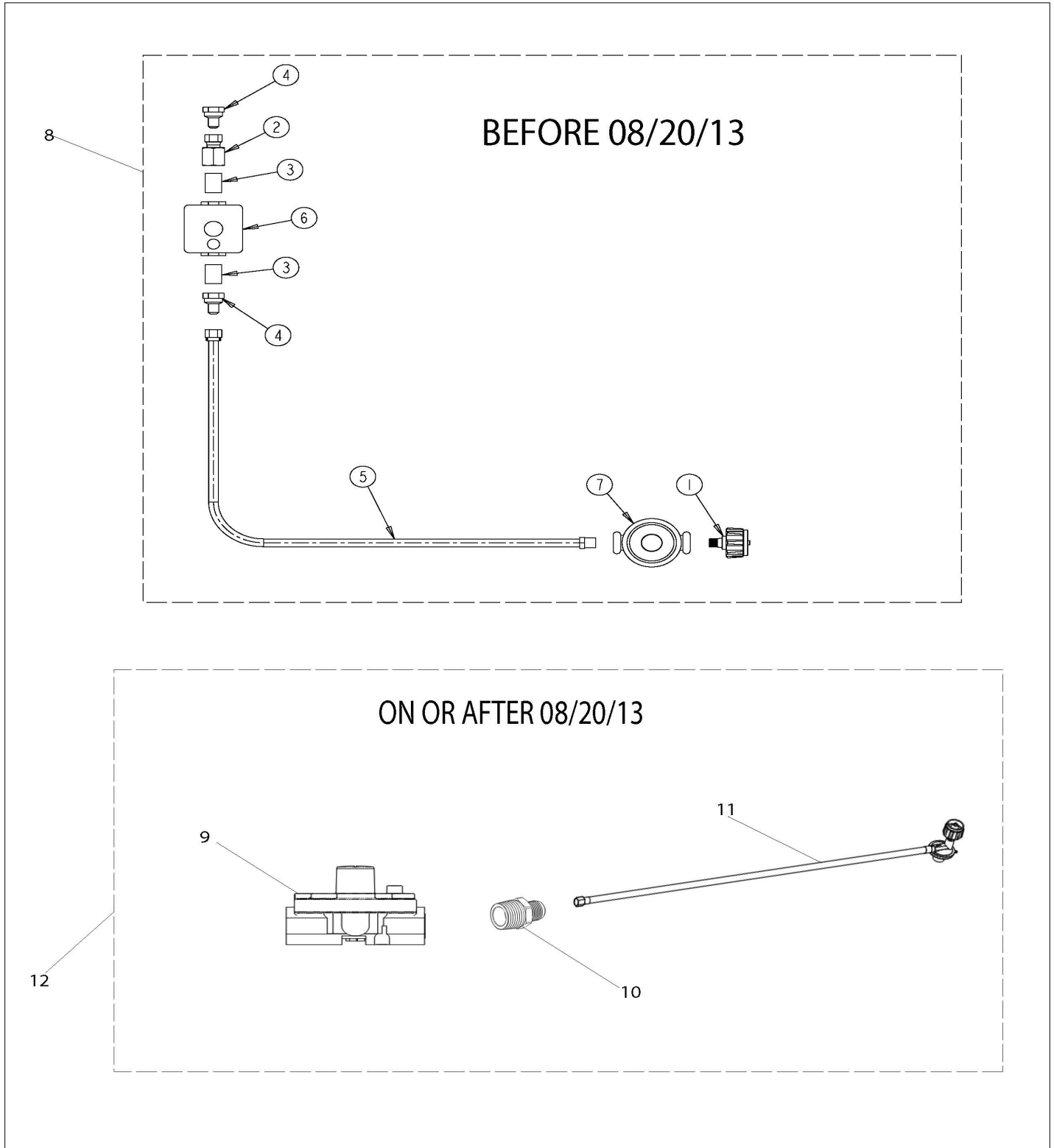
Item	Part No.	Name	Qty	Uom	NOTES
NI	035599-000	HARNESS, WIRE, GRILL 33002	1	EA	Not available online / Call for pricing and availability
NI	035561-000	WIRE, IGNITOR, GRILL 8"	1	EA	
NI	035565-000	WIRE, IGNITOR, GRILL 12"	1	EA	
NI	035631-000	HARNESS, WIRE, ROTIS, 33002	1	EA	Not available online / Call for pricing and availability

Natural Gas Asm





Item	Part No.	Name	Qty	Uom	NOTES
1	PB020239	7/8 FLARE TO 1/2 FEMALE CONNECTOR	1	EA	
2	PB040046	1/2" CLOSE NIPPLE	2	EA	
3	023653-000	Nipple-Coupler Assy	1	EA	
4	023653-000	Nipple-Coupler Assy	1	EA	
5	PA070006	PRESSURE REG.(NAT.)-4"-FOR BBQ GRIL - NLA	1	EA	
6	G3004936	REGULATOR ASSY - NAT (P1 GRILL)	1	EA	
7	PA070006	PRESSURE REG.(NAT.)-4"-FOR BBQ GRIL - NLA	1	EA	
8	043747-000	FITTING, FLARE, BRASS	1	EA	Not available online / Call for pricing and availability
9	043217-000	REGUALATOR, NAT ASSY	1	EA	





Item	Part No.	Name	Qty	Uom	NOTES
1	PA010138	CYLINDER CONNECTION	1	EA	
2	PB040235	1/2"NPT TO 3/8" FLARE COUPLING	1	EA	
3	PB040046	1/2" CLOSE NIPPLE	1	EA	
4	PB040146	1/2" X 3/8" FLARE ADAPTER (VGBQ)	1	EA	
5	PB020227	HIGH PRESSURE LP HOSE	1	EA	
6	PA070005	PRESSURE REG.(LP) RV47L- 77-10.0	1	EA	
7	PA070007	LP TANK REGULATOR (VGBQ)	1	EA	
8	G3004937	REGULATOR ASSY - L.P. W/HOSE	1	EA	
9	PA070005	PRESSURE REG.(LP) RV47L- 77-10.0	1	EA	
10	041140-000	ADPT, STR, MALE, CMPN, FLRE, BRS, 45 DEG	1	EA	
11	043204-000	REGUALTOR, LP, HIGH PRESSURE, ASM	1	EA	
12	043214-000	REGULATOR, HOSE, LP ASSY	1	EA	



Appendix A:Pages Index

BASE 1
BURNER BASE 2
CANOPY 3
CONTROL PANEL 4
DRIP TRAY 5
LP Gas Asm 9
Natural Gas Asm 8
UPPER BURNER 6
WIRING 7



Appendix B:Parts Index

002671-000	1	034082-000	6
003561-000	4	034607-000	6
003563-000	4	035056-000	6
004706-000	2	035368-000	6
008091-000	2	035561-000	7
014143-000	1	035565-000	7
014952-000	4	035599-000	7
014953-000	4	035606-000	1
015009-000	4	035631-000	7
015357-000	6	035647-000	3
019277-000	3	035648-000	1
020041-000	4	035668-000	1
023653-000	4, 4, 8, 8	035864-000	3
026724-000	3	036024-000	1, 2
026965-000	3	036547-000	3
029434-000	2	037377-000	6, 6
029451-000	6	037589-000	6
029452-000	6	038269-000	6
029453-000	6	041140-000	9
029454-000	6	042720-000	3
029455-000	6	043204-000	9
029456-000	6	043214-000	9
029457-000	6	043217-000	8
029459-000	1	043747-000	8
029460-000	1	046329-000	4
029461-000	2	050172-000	3, 4
029462-000	6	B2005347	6
029463-000	6	G3004936	8
029468-000	4	G3004937	9
029479-000	2	G3005289	6
031548-000	5	PA010138	4, 9
031554-000	5	PA020045	4
031555-000	5	PA020047	4
031570-000	1	PA070005	4, 9, 9
031849-000	1	PA070006	4, 8, 8
032239-000	2	PA070007	4, 9
032370-000	2	PB010162	6
032461-000	6	PB010163	4
032728-2384	4	PB020114	2
032881-000	6	PB020227	4, 9
		PB020239	4, 8



PB040046	4, 8, 9
PB040146	9
PB040235	9
PB050060	6
PB060054	6
PC020025	5
PC070024	6
PD010012	4
PD010090	6
PD020055	1, 2, 4, 5
PD020082	5
PD030006	4
PD030044	5
PD030063	6
PD030064	6
PD040004	5, 6
PD950013	1
PE050019	4
PE050063	4