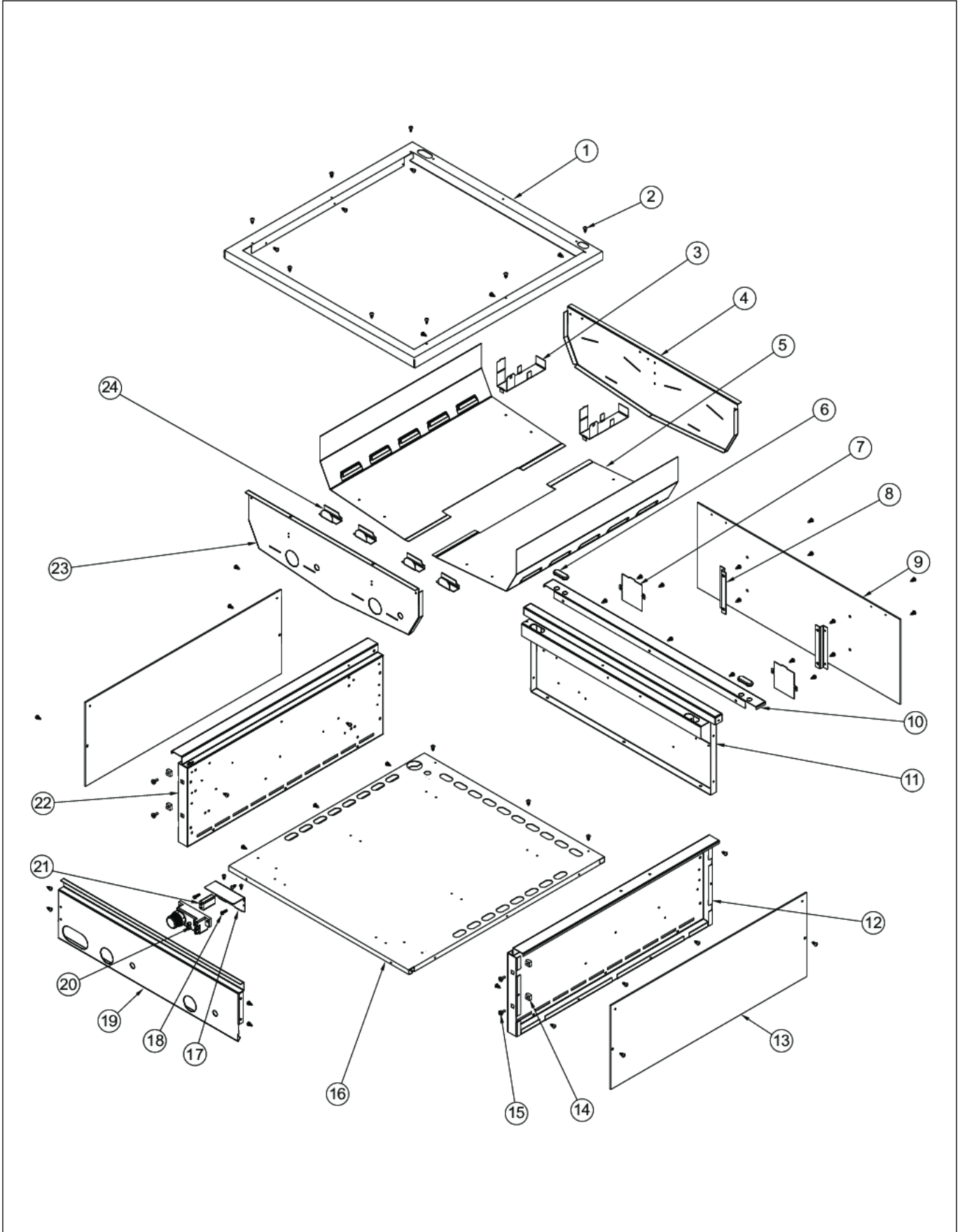


**VGBQ3002RT2**

BURNER BOX AREA .....	1
BURNER GRATE AREA .....	2
CANOPY AREA .....	3
CONTROL PANEL .....	4
DRIP TRAY .....	5
LP CONNECTION SERVICE KIT .....	6
ROTISSERIE BURNER AREA .....	7
ROTISSERIE MOTOR ASSEMBLY .....	8
UPPER GRILLE AREA .....	9
WIRING .....	10
Appendix A:Pages Index .....	A
Appendix B:Parts Index .....	B



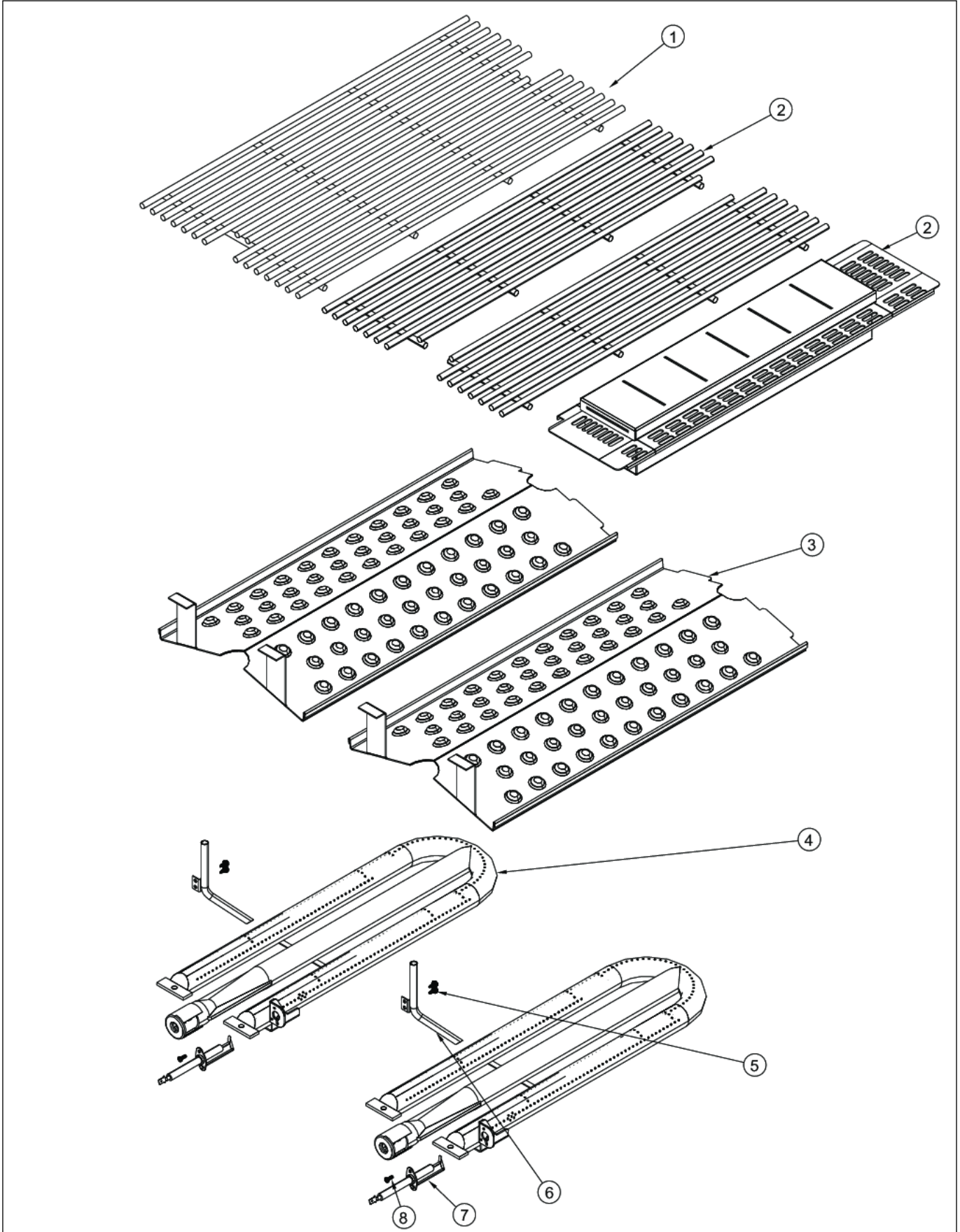
BURNER BOX AREA





Item	Part No.	Name	Qty	Uom	NOTES
1	B20015516	GRILL FRAME 30"	1	EA	
2	PD020055	' #10 X 1/2" PAN PHIL. TEK. *SS*	53	EA	
3	006010-000	GRILL BURNER REAR BRACKET	2	EA	
4	025544-000	BOX, BNR, BACK, 30"	1	EA	
5	025543-000	BOX, BRN, BOT, 30"	2	EA	
6	002671-000	RUBBER DOOR BUMPER	2	EA	
7	002354-000	GRILL PLUG PLATE	2	EA	NO LONGER AVAILABLE, Not available online / Call for pricing and availability
8	B2006305	HEAT SHIELD BRACKET	2	EA	
9	L1005399	REAR HEAT SHIELD 30"	1	EA	NO LONGER AVAILABLE
10	003856-000	30" GRILL REAR TRIM	1	EA	
11	B20015513	GRILL BOX BACK 30"	1	EA	
12	B2005203	Grill Box Side - RH	1	EA	
13	L1005398	Side Heat Shield	2	EA	
14	PD030050	10-24 CAGE NUT *SS*	4	EA	
15	PD020056	' #10-24 X 1/2" PH.TR. M.S. *SS*	4	EA	
16	B20015510	GRILL BOX BOTTOM 30"	1	EA	
17	B2005250	SPARK MODULE BRACKET (PHASE 2)	1	EA	
18	PD020166	#10 X 3/4" PAN PHIL. TEK. *SS*	2	EA	NO LONGER AVAILABLE
19	025801-000	SUPPORT, GRL, FR, VGBQ3002RE2	1	EA	
20	PA020036	SPARK MODULE	1	EA	
21	PM010049	SPARK MODULE BATTERY PHASE II	1	EA	
22	B2005204	Grill Box Side - LH	1	EA	
23	025542-000	BOX, BNR, FR, 30"	1	EA	
24	006011-000	GRILL BURNER FRONT BRACKET	4	EA	
NI	025545-000	BOX, BNR, ASM, 30"	1	EA	

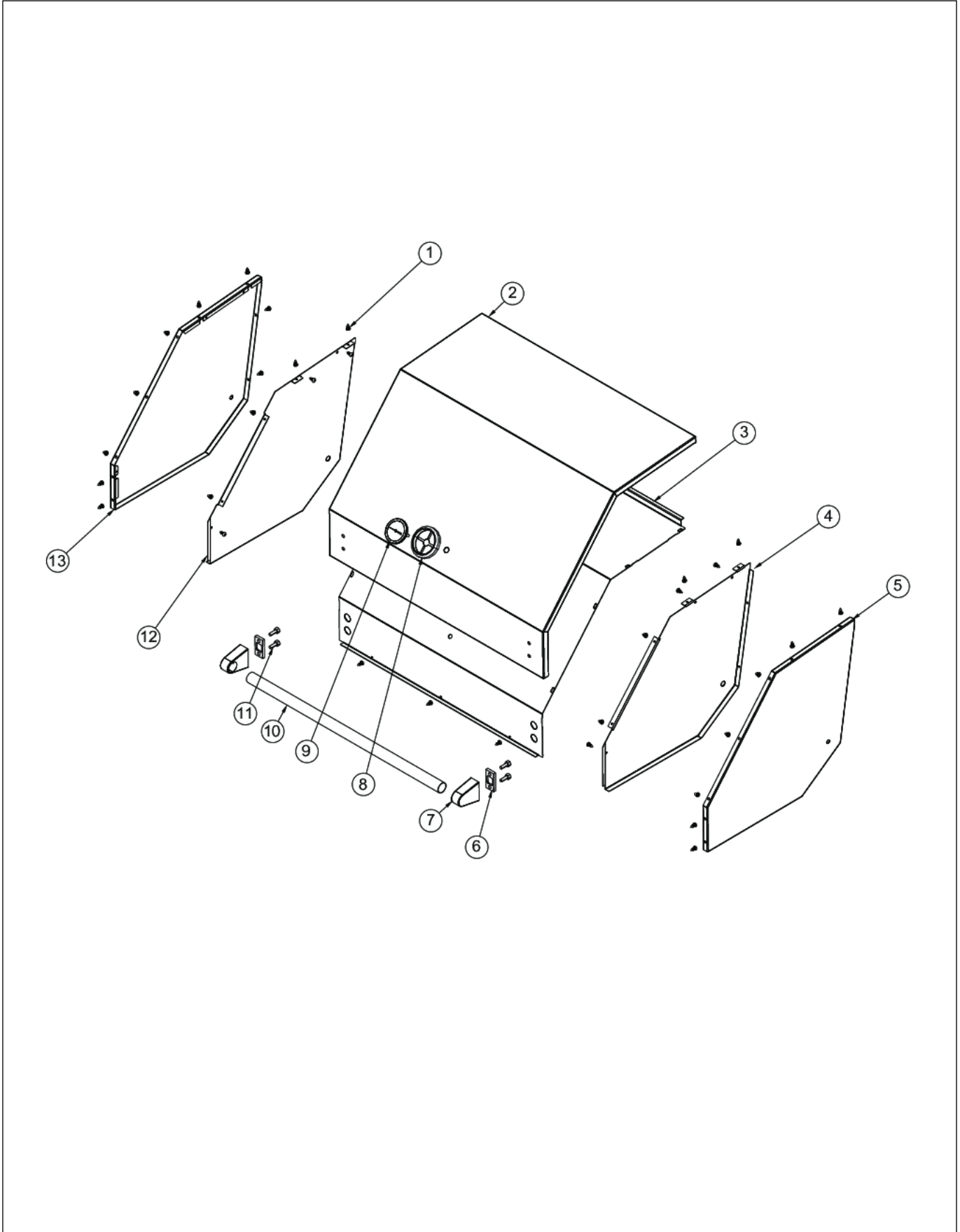
BURNER GRATE AREA





Item	Part No.	Name	Qty	Uom	NOTES
1	PA060052	Full Grill Grate	1	EA	
1	PA060068	FULL GRATE *SS*	1	EA	
2	PA060053	1/2 Grill Grate	2	EA	
2	PA060069	Half Grate SS	2	EA	
3	027596-000	BOX, SMOKER ASM	1	EA	
4	024157-000	SHIELD, GRS	2	EA	
5	023000-000	BURNER, GRL, ASM, U	2	EA	
6	008026-000	SCREW, TEK, #6-20 x 3/8, S.S.	4	EA	
7	PB020114	FLASH TUBE (VGBQ3002T)	2	EA	
8	008091-000	PB040288 IGNITOR KIT	2	EA	
9	004706-000	MACHINE SCREW, 6-32 x 3/8, PAN HD, PHILLIPS	2	EA	

CANOPY AREA

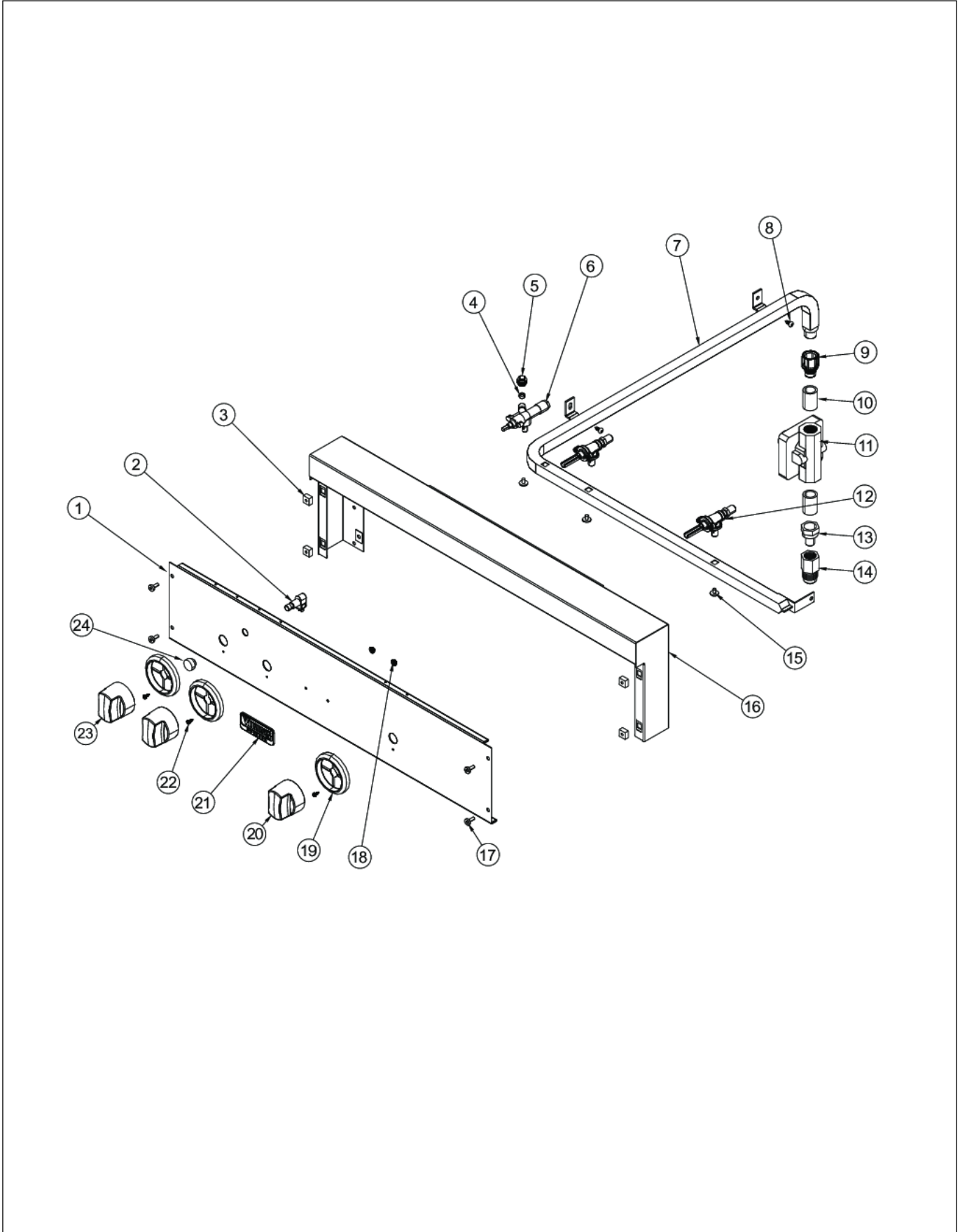






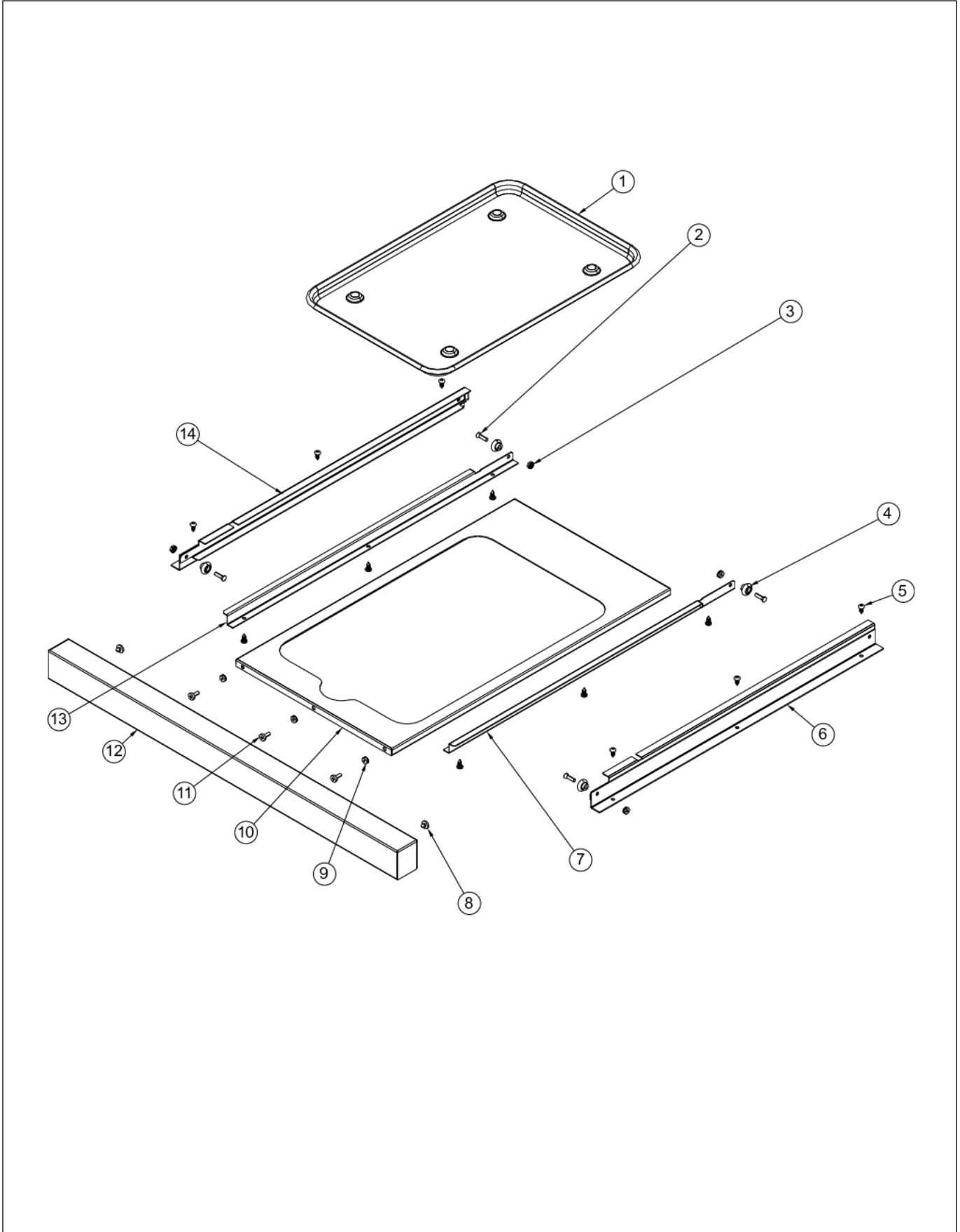
Item	Part No.	Name	Qty	Uom	NOTES
1	PD020055	' #10 X 1/2" PAN PHIL. TEK.*SS*	35	EA	
2	025802-000	SHIELD, CANOPY, FR	1	EA	Not available online / Call for pricing and availability
3	003635-000	30" CANOPY HEAT SHIELD	1	EA	
4	006667-000	GRILL CANOPY INSIDE LH	1	EA	
5	003630-000	GRILL CANOPY OUTSIDE RH	1	EA	
6	PD040010	DOOR HANDLE SPACER	2	EA	
7	000268-000	HANDLE ENDCAP	2	EA	
8	050172-000	BEZEL, KNOB	1	EA	
9	042720-000	GAUGE, BMTL, TEMPERATURE	1	EA	
10	PE030041	DOOR HANDLE (CANOPY) *SS* (VGBQ30)	1	EA	
11	PD020069	CAP SCREW 1/4-20 X 3/4 SS	4	EA	
12	006666-000	GRILL CANOPY INSIDE RH	1	EA	
13	003632-000	GRILL CANOPY OUTSIDE LH	1	EA	Not available online / Call for pricing and availability

# CONTROL PANEL



Item	Part No.	Name	Qty	Uom	NOTES
1	026015-000	CONTROL PANEL, VGBQ3002RT2	1	EA	
2	PE050063	SPARKER SWITCH (PHASE 2)	1	EA	
3	PD030050	10-24 CAGE NUT *SS*	4	EA	
4	PB040263	5/16 FERRULE	1	EA	
5	PB040228	FITTING BRASS COMPRESSION NUT	1	EA	
6	046328-000	NATURAL ROTIS VALVE - KNOB KIT	1	EA	
7	025799-000	MANIFOLD, GRL, 30"	1	EA	
8	PD020055	' #10 X 1/2" PAN PHIL. TEK.*SS*	2	EA	
9	023653-000	Nipple-Coupler Assy	1	EA	
10	PB040046	1/2" CLOSE NIPPLE	2	EA	
11	PA070006	PRESSURE REG.(NAT.)-4"-FOR BBQ GRIL - NLA	1	EA	
11	PA070005	PRESSURE REG.(LP) RV47L- 77-10.0	1	EA	
NI	G50013595	LP CONNECTION SERVICE KIT	1	EA	
12	014952-000	VALVE, GAS, ASM, U BNR #40	2	EA	
12	014953-000	VALVE, GAS, ASM, U BNR - LP #54	2	EA	
13	023653-000	Nipple-Coupler Assy	1	EA	
14	PB020239	7/8 FLARE TO 1/2 FEMALE CONNECTOR	1	EA	
15	PD010012	1/4 x 3/8 VALVE BOLT	5	EA	
16	G3005223	LANDING LEDGE ASSY 30 (PHASE 2)	1	EA	
17	PD020056	' #10-24 X 1/2" PH.TR. M.S. *SS*	4	EA	
18	PD030006	CAPPED WASHER PAL NUT	2	EA	
19	050172-000	BEZEL, KNOB	3	EA	
20	003561-000	OUTDOOR GRILL KNOB	2	EA	
21	015009-000	OUTDOOR LOGO - 3" CHROME	1	EA	
22	020041-000	SCR, DR, PH, PNH, 410 SS, NPLT, 6-20 x 3/8	3	EA	
23	003563-000	ROTIS BURNER KNOB	1	EA	
24	PB010163	OVEN LIGHT SWITCH KNOB *BK* (VESO/D	2	EA	

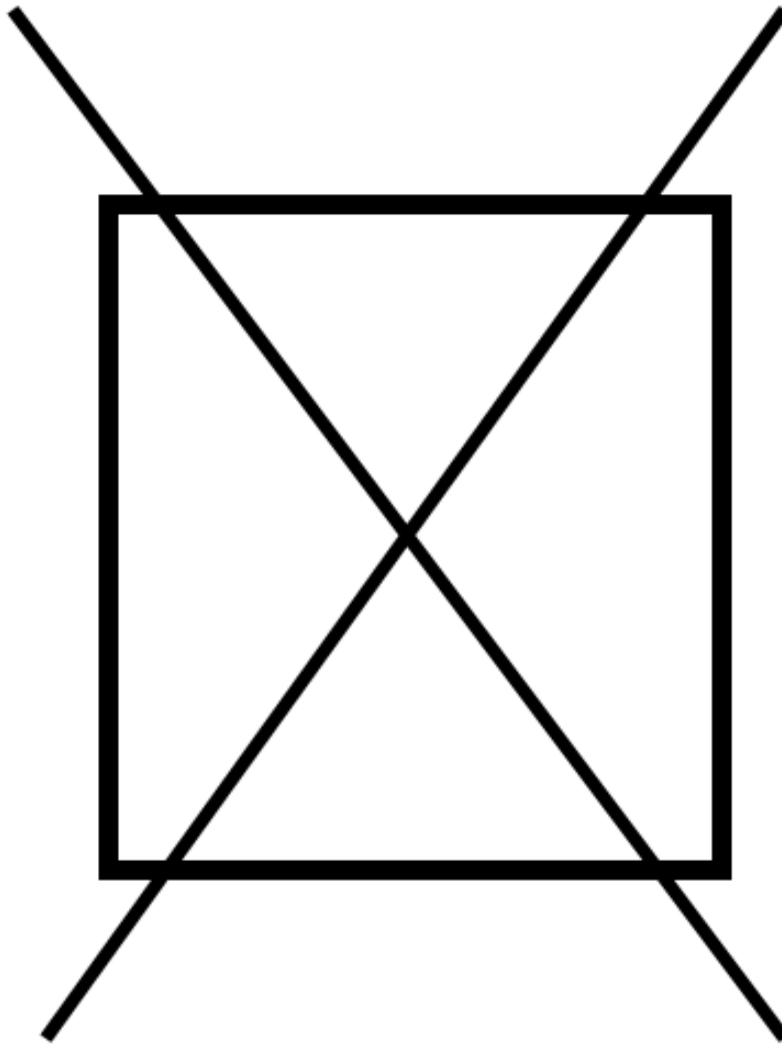
DRIP TRAY





Item	Part No.	Name	Qty	Uom	NOTES
1	J2101749	GREASE PAN	1	EA	
2	PD020082	10 X 24 COUNTERSUNK S.S. SCREW	4	EA	
3	PD030044	10-24 KEPS NUT *SS*	4	EA	
4	PC020025	DRIP TRAY WHEEL	4	EA	
5	PD020055	' #10 X 1/2" PAN PHIL. TEK.*SS*	12	EA	
6	G3005215	DRIP TRAY SLIDE - RH	1	EA	
7	B2005316	DRIP TRAY RUNNER RH	1	EA	
8	PD040004	GROMMET BUMPER	2	EA	
9	PD030044	10-24 KEPS NUT *SS*	3	EA	
10	B2005312	DRIP TRAY 30 (PHASE 2)	1	EA	
11	PD020056	' #10-24 X 1/2" PH.TR. M.S. *SS*	3	EA	
12	B3005315	30 INCH DRIP TRAY HANDLE (PHASE 2)	1	EA	
13	G3005214	DRIP TRAY SLIDE - LH	1	EA	
14	B2005317	DRIP TRAY RUNNER LH (PHASE 2)	1	EA	

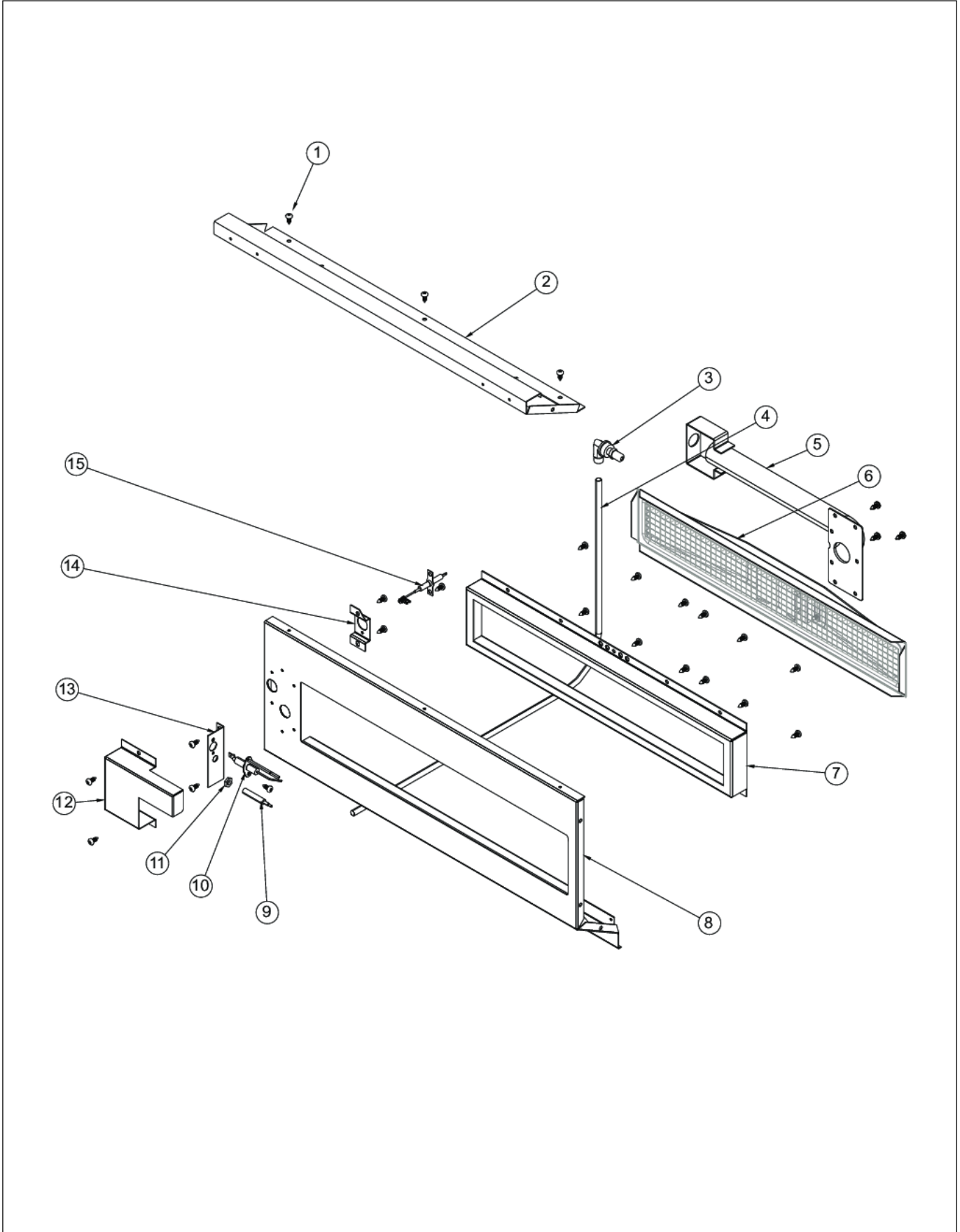
NON  
ILLUSTRATED PART





Item	Part No.	Name	Qty	Uom	NOTES
NI	G50013595	LP CONNECTION SERVICE KIT	1	EA	

ROTISSERIE BURNER AREA

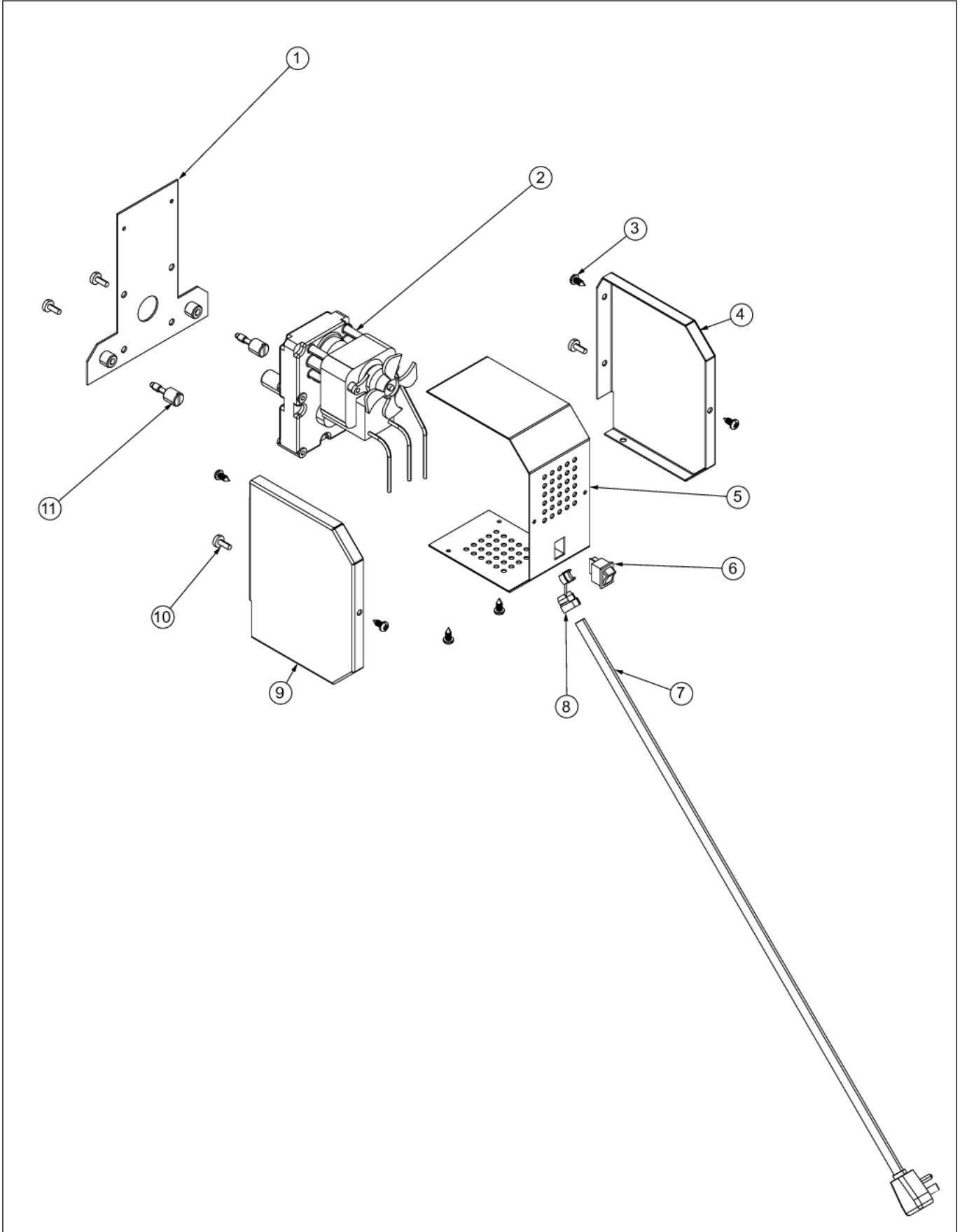






Item	Part No.	Name	Qty	Uom	NOTES
1	PD020055	' #10 X 1/2" PAN PHIL. TEK.*SS*	23	EA	
2	E9105393	30"" FRONT HOUSING TOP	1	EA	
3	PB040124	90 DEG. ORIFICE FITTING	1	EA	
4	PB020096	48" 5/16 S.S. FLEX TUBING REPL F2003505	1	EA	
5	PB050060	I/R VENTURI (PHASE 2 BBQ)	1	EA	
6	G3005289	I/R Burner Assy	1	EA	
7	B2005347	I/R Frame	1	EA	
8	G91015522	FRONT HOUSING ASSY (VGIQ3002RT)	1	EA	
9	PB010162	THERMOCOUPLE - BBQ GRILL W/ ROTIS	1	EA	
10	PB040160	WOK IGNITER	1	EA	
11	PD030048	THERMOCOUPLE NUT M08- VGBQ-8743300007	1	EA	
12	B20015402	I/R IGNITOR COVER LH	1	EA	
13	B20015403	IR IGNITOR BRACKET	1	EA	
14	B20015401	FLEX IGNITER STAND OFF	1	EA	Not available online / Call for pricing and availability
15	PB040280	FLEXIBLE ROTISSERIE IGNITOR	1	EA	

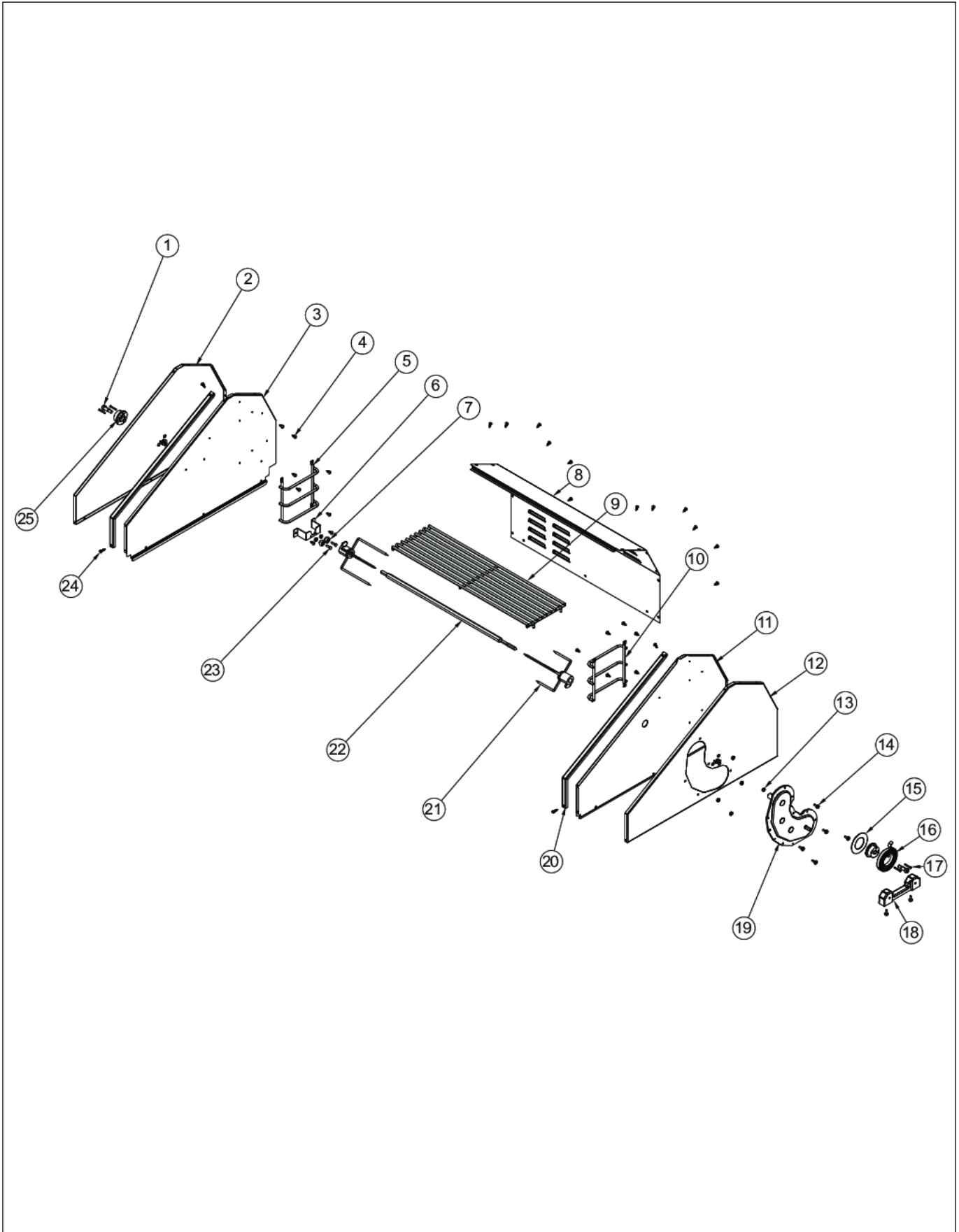
# ROTISSERIE MOTOR ASSEMBLY





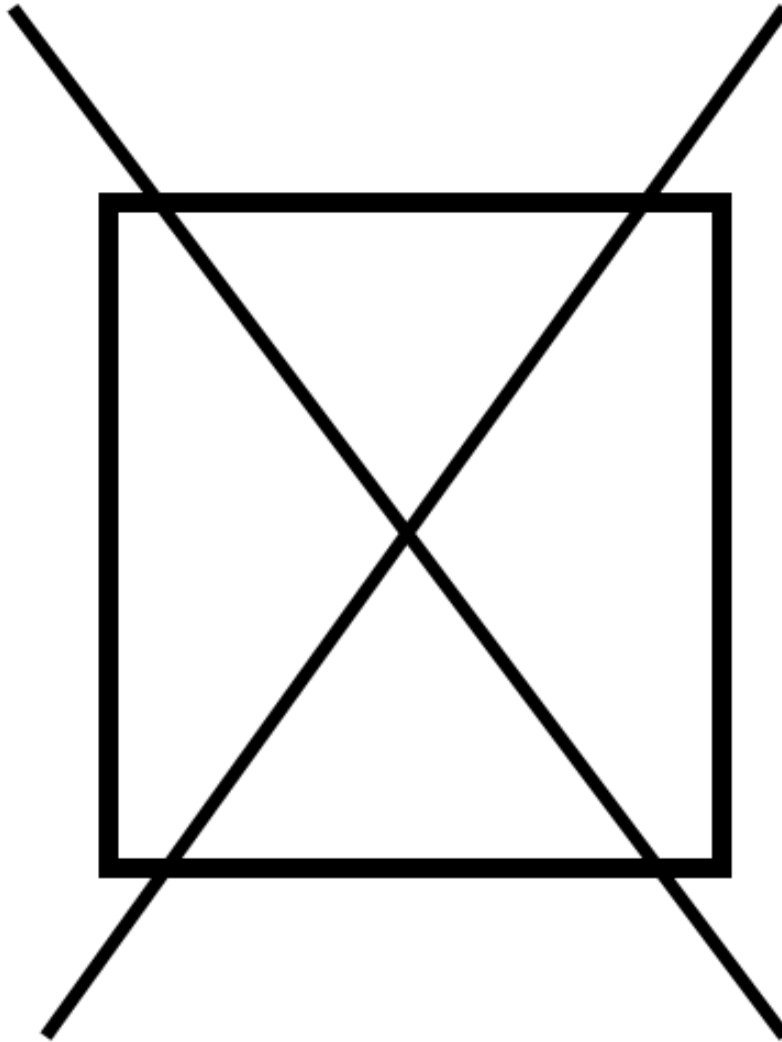
Item	Part No.	Name	Qty	Uom	NOTES
1	002081-000	ROT MOTOR MOUNTING PLATE ASSY	1	EA	
2	PE070184	ROTISSERIE MOTOR	1	EA	
3	PD020055	' #10 X 1/2" PAN PHIL. TEK.*SS*	6	EA	
4	B2005285	PHASE II ROTIS BOX FRONT	1	EA	
5	B2005286	PHASE II ROTIS COVER	1	EA	
6	PE050051	ROTISSERIE SWITCH	1	EA	
7	PE070189	ELECTRICAL SUPPLY CORD - BBQ GRILL	1	EA	
8	PD040044	SNAP THRU BUSHING 1/4"DIA CORD	1	EA	
9	B2005284	PHASE II ROTIS BOX FRONT	1	EA	
10	PD020056	' #10-24 X 1/2" PH.TR. M.S. *SS*	4	EA	
11	PD010090	ROTISSERIE FASTENER KNOB	2	EA	

UPPER GRILLE AREA



Item	Part No.	Name	Qty	Uom	NOTES
1	PD010043	5/16INCH SHOULDER BOLT (PHASE 2)	2	EA	
2	G5005257	O/S Windshield Assy - LH	1	EA	
3	B20015419	INSIDE WINDSHIELD LH	1	EA	Not available online / Call for pricing and availability
4	PD020055	' #10 X 1/2" PAN PHIL. TEK.*SS*	26	EA	
5	PB060113	WARMING RACK SUPPORT LH	1	EA	
6	B2005278	ROTISSERIE ROLLER BRACKET (PHASE 2)	1	EA	
7	PC020025	DRIP TRAY WHEEL	2	EA	
8	003652-000	30" GRILL REAR COVER	1	EA	
9	PB060057	WARMING RACK 30	1	EA	
10	PB060112	WARMING RACK SUPPORT RH	1	EA	
11	B20015418	INSIDE WINDSHIELD RH	1	EA	Not available online / Call for pricing and availability
12	G5005256	O/S Windshield Assy - RH	1	EA	Not available online / Call for pricing and availability
13	PD030044	10-24 KEPS NUT *SS*	7	EA	
14	PD020056	' #10-24 X 1/2" PH.TR. M.S. *SS*	7	EA	
15	007818-000	RETAINER, CANOPY SPRING	1	EA	
16	007206-000	CANOPY, SPRING, ASSIST- LIGHT	1	EA	
17	006779-000	#6-32 x 1.0 SS FLAT HD SCREW	4	EA	
18	PB060055	Rotis. Mount Casting	1	EA	
19	PC070024	ROTIS. GEAR BOX ASSY	1	EA	
20	B20015574	GRILL WINDSHIELD TRIM	2	EA	
21	032881-000	FORK, RTSR	2	EA	
22	PB060054	ROTIS SPIT ROD 30"	1	EA	
23	PD020082	10 X 24 COUNTERSUNK S.S. SCREW	2	EA	
24	020037-000	SCR, DR, FCSKHP, 410 SS, NPLT, 8-18 x 3/4	4	EA	
25	005942-000	SPRING INDEX	2	EA	

NON  
ILLUSTRATED PART





Item	Part No.	Name	Qty	Uom	NOTES
NI	G4006378	WIRE ASSY (VGBQ-T SERIES) 25"	2	EA	
NI	G4006376	WIRE ASSY (VGBQ-T SERIES) 10"	1	EA	
NI	G4006380	WIRE ASSY (VGBQ-T SERIES) 15"	2	EA	
NI	025322-000	HARNESS, WIRE, ROTISSERIE	1	EA	



Appendix A:Pages Index

BURNER BOX AREA ..... 1  
BURNER GRATE AREA ..... 2  
CANOPY AREA ..... 3  
CONTROL PANEL ..... 4  
DRIP TRAY ..... 5  
LP CONNECTION SERVICE KIT ..... 6  
ROTISSERIE BURNER AREA ..... 7  
ROTISSERIE MOTOR ASSEMBLY ..... 8  
UPPER GRILLE AREA ..... 9  
WIRING ..... 10





Appendix B:Parts Index

000268-000	..... 3	032881-000	..... 9
002081-000	..... 8	042720-000	..... 3
002354-000	..... 1	046328-000	..... 4
002671-000	..... 1	050172-000	..... 3, 4
003561-000	..... 4	B20015401	..... 7
003563-000	..... 4	B20015402	..... 7
003630-000	..... 3	B20015403	..... 7
003632-000	..... 3	B20015418	..... 9
003635-000	..... 3	B20015419	..... 9
003652-000	..... 9	B20015510	..... 1
003856-000	..... 1	B20015513	..... 1
004706-000	..... 2	B20015516	..... 1
005942-000	..... 9	B20015574	..... 9
006010-000	..... 1	B2005203	..... 1
006011-000	..... 1	B2005204	..... 1
006666-000	..... 3	B2005250	..... 1
006667-000	..... 3	B2005278	..... 9
006779-000	..... 9	B2005284	..... 8
007206-000	..... 9	B2005285	..... 8
007818-000	..... 9	B2005286	..... 8
008026-000	..... 2	B2005312	..... 5
008091-000	..... 2	B2005316	..... 5
014952-000	..... 4	B2005317	..... 5
014953-000	..... 4	B2005347	..... 7
015009-000	..... 4	B2006305	..... 1
020037-000	..... 9	B3005315	..... 5
020041-000	..... 4	E9105393	..... 7
023000-000	..... 2	G3005214	..... 5
023653-000	..... 4, 4	G3005215	..... 5
024157-000	..... 2	G3005223	..... 4
025322-000	..... 10	G3005289	..... 7
025542-000	..... 1	G4006376	..... 10
025543-000	..... 1	G4006378	..... 10
025544-000	..... 1	G4006380	..... 10
025545-000	..... 1	G50013595	..... 4, 6
025799-000	..... 4	G5005256	..... 9
025801-000	..... 1	G5005257	..... 9
025802-000	..... 3	G91015522	..... 7
026015-000	..... 4	J2101749	..... 5
027596-000	..... 2	L1005398	..... 1
		L1005399	..... 1



PA020036	1	PE030041	3
PA060052	2	PE050051	8
PA060053	2	PE050063	4
PA060068	2	PE070184	8
PA060069	2	PE070189	8
PA070005	4	PM010049	1
PA070006	4		
PB010162	7		
PB010163	4		
PB020096	7		
PB020114	2		
PB020239	4		
PB040046	4		
PB040124	7		
PB040160	7		
PB040228	4		
PB040263	4		
PB040280	7		
PB050060	7		
PB060054	9		
PB060055	9		
PB060057	9		
PB060112	9		
PB060113	9		
PC020025	5, 9		
PC070024	9		
PD010012	4		
PD010043	9		
PD010090	8		
PD020055	1, 3, 4, 5, 7, 8, 9		
PD020056	1, 4, 5, 8, 9		
PD020069	3		
PD020082	5, 9		
PD020166	1		
PD030006	4		
PD030044	5, 5, 9		
PD030048	7		
PD030050	1, 4		
PD040004	5		
PD040010	3		
PD040044	8		