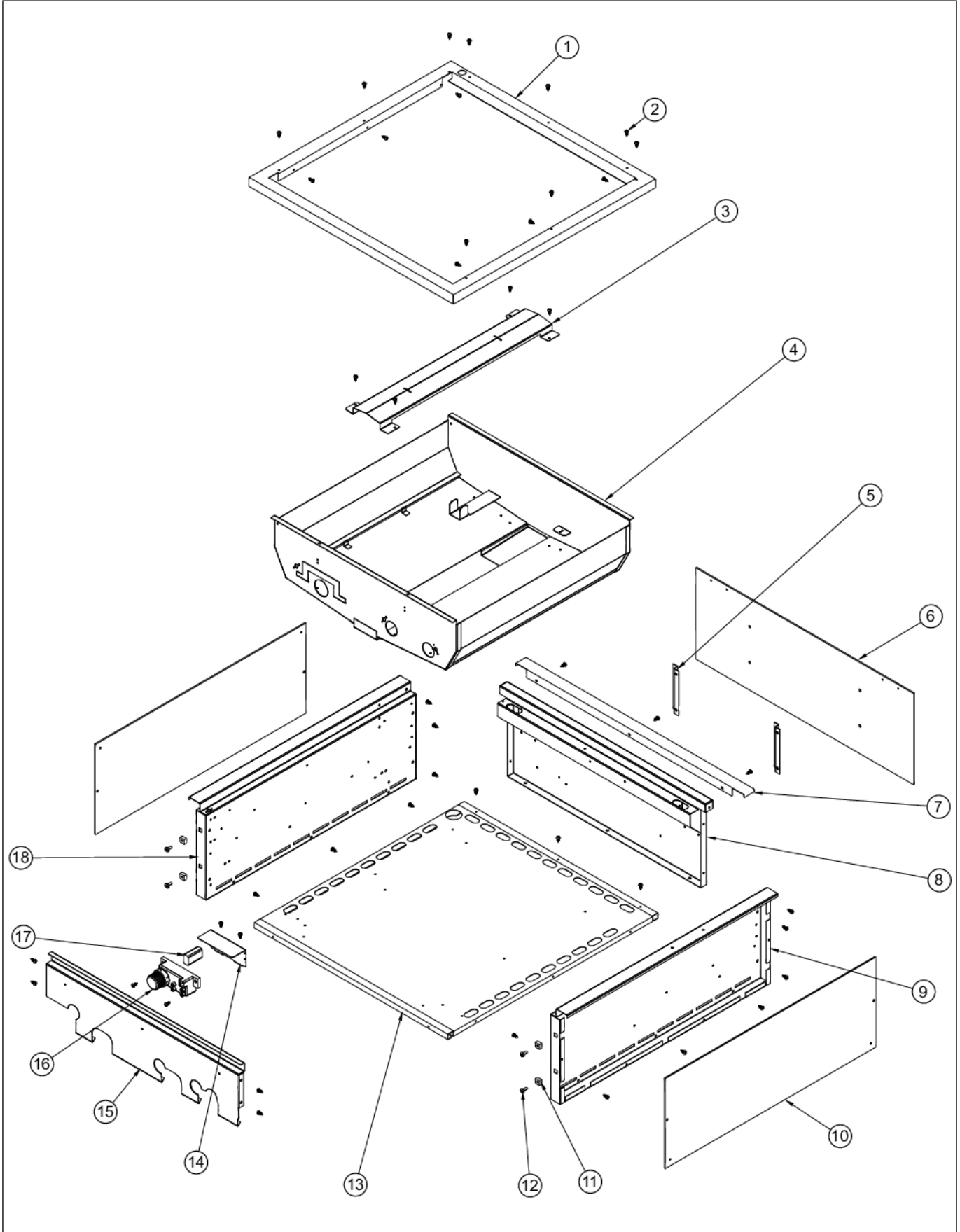


VGBQ3002RT1

BURNER BOX AREA	1
BURNER GRATE AREA	2
CANOPY AREA	3
CONTROL PANEL	4
DRIP TRAY	5
ROTISSERIE BURNER AREA	6
ROTISSERIE MOTOR ASSEMBLY	7
UPPER GRILLE AREA	8
Appendix A:Pages Index	A
Appendix B:Parts Index	B

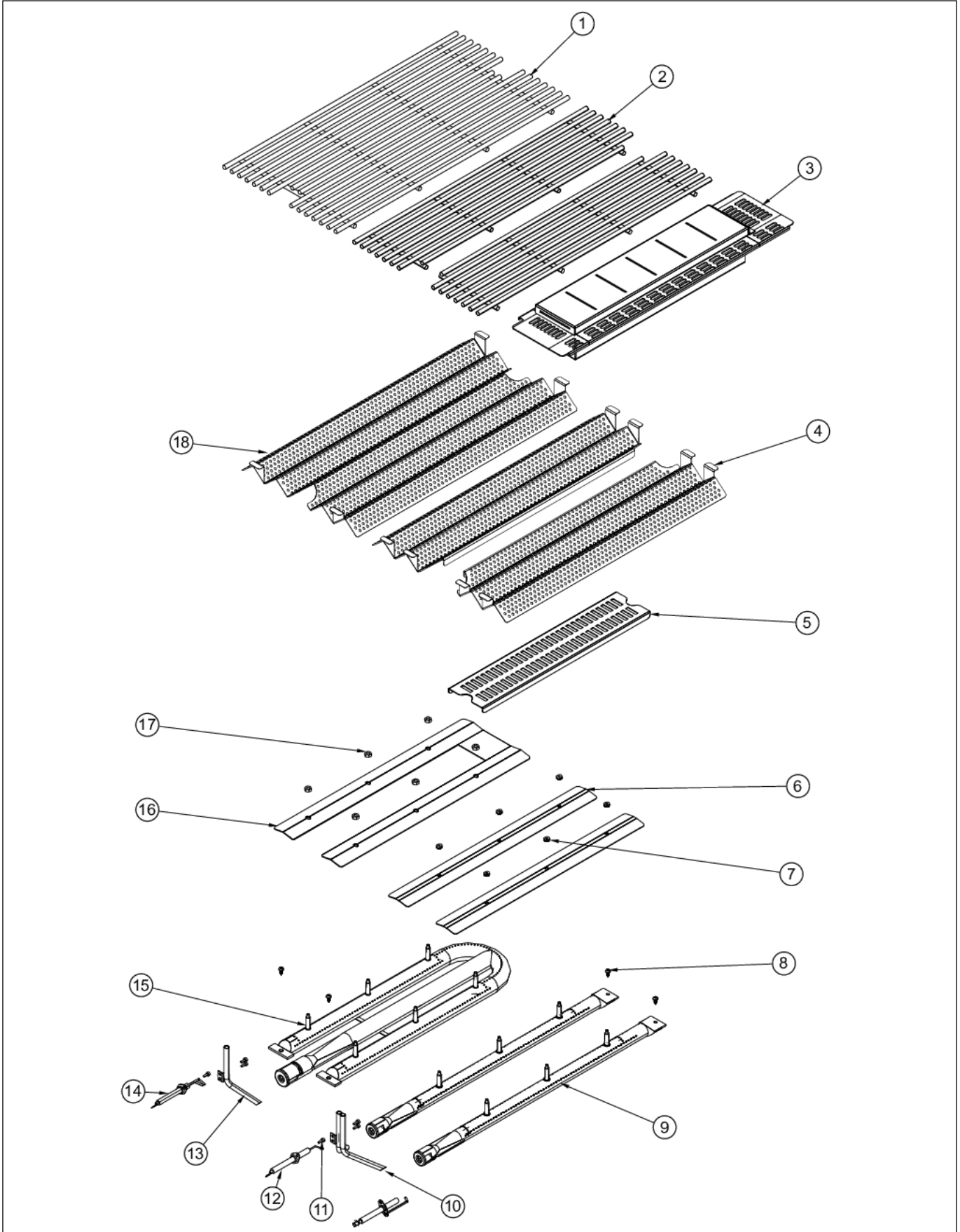
BURNER BOX AREA





Item	Part No.	Name	Qty	Uom	NOTES
1	B20015516	GRILL FRAME 30"	1	EA	
2	PD020055	' #10 X 1/2" PAN PHIL. TEK.*SS*	46	EA	
3	B2005246	BURNER BOX SHIELD (PHASE 2)	1	EA	
4	006768-000	BURNER BOX ASSY 53RH	1	EA	Not available online / Call for pricing and availability
5	B2006305	HEAT SHIELD BRACKET	2	EA	
6	L1005399	REAR HEAT SHIELD 30"	1	EA	NO LONGER AVAILABLE
7	003856-000	30" GRILL REAR TRIM	1	EA	
8	B20015513	GRILL BOX BACK 30"	1	EA	
9	B2005203	Grill Box Side - RH	1	EA	
10	L1005398	Side Heat Shield	2	EA	
11	PD030050	10-24 CAGE NUT *SS*	4	EA	
12	PD020056	' #10-24 X 1/2" PH.TR. M.S. *SS*	4	EA	
13	B2005202	GRILL BOX BOTTOM 30 (PHASE 2)	1	EA	NO LONGER AVAILABLE, Not available online / Call for pricing and availability
14	B2005250	SPARK MODULE BRACKET (PHASE 2)	1	EA	
15	B2007820	GRILL FRONT	1	EA	
16	PA020036	SPARK MODULE	1	EA	
17	PM010049	SPARK MODULE BATTERY PHASE II	1	EA	
18	B2005204	Grill Box Side - LH	1	EA	

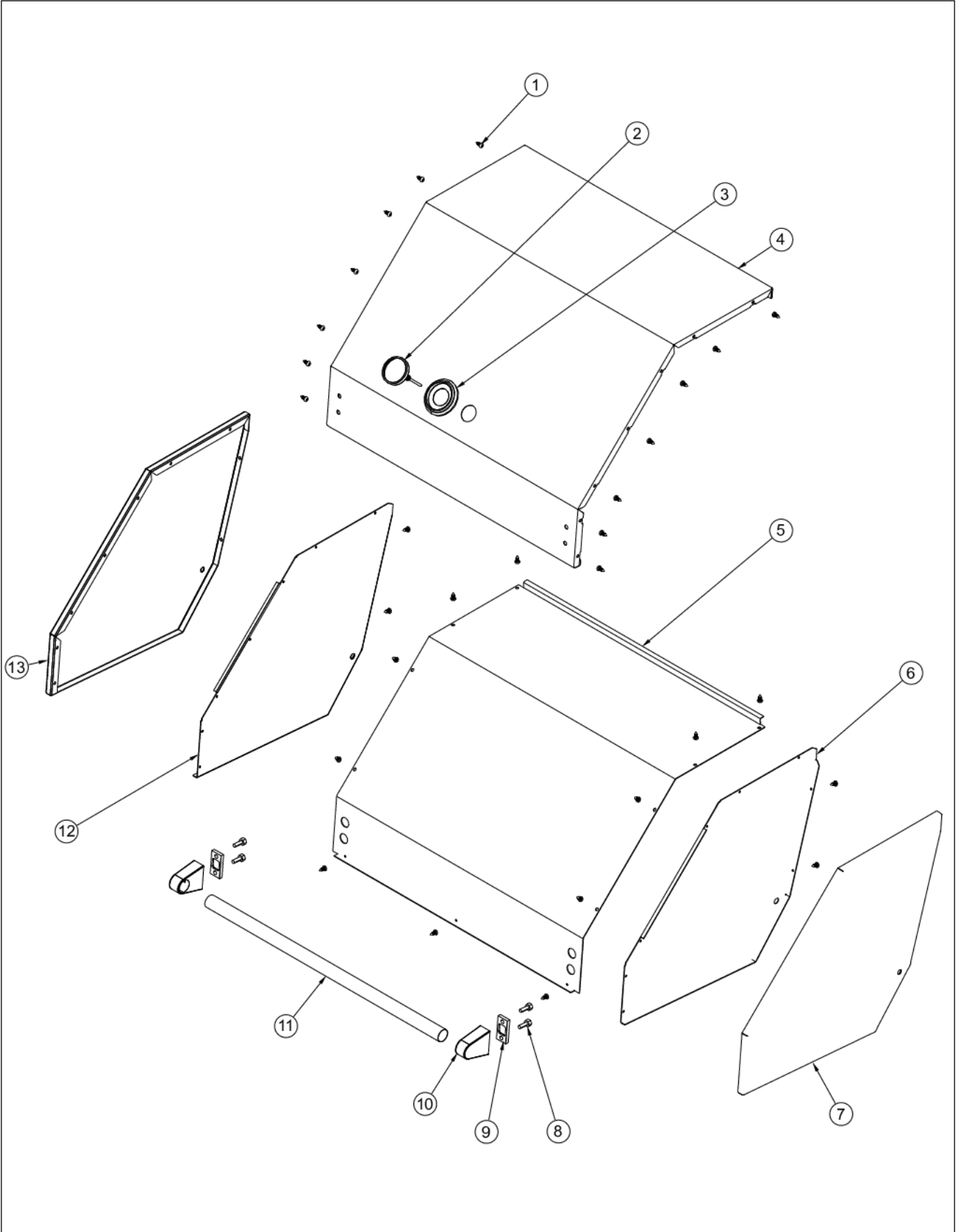
BURNER GRATE AREA





Item	Part No.	Name	Qty	Uom	NOTES
1	PA060052	Full Grill Grate	1	EA	
1	PA060068	FULL GRATE *SS*	1	EA	
2	PA060053	1/2 Grill Grate	2	EA	
2	PA060069	Half Grate SS	2	EA	
3	027596-000	BOX, SMOKER ASM	1	EA	
4	PK010061	1/2 Flavor Grid	2	EA	
5	B2005346	STEAMER RACK	1	EA	NO LONGER AVAILABLE
6	006757-000	SMOKER DRIP SHIELD	2	EA	
7	PD030044	10-24 KEPS NUT *SS*	6	EA	
8	PD020055	' #10 X 1/2" PAN PHIL. TEK.*SS*	4	EA	
9	PA080051	Smoker Burner	2	EA	
10	PB020115	SMOKER FLASH TUBE	1	EA	
11	PD020067	' #6 X 3/8" PAN PHIL. TEK *SS*	6	EA	
12	008091-000	PB040288 IGNITOR KIT	1	EA	
13	PB020114	FLASH TUBE (VGBQ3002T)	1	EA	
14	008090-000	PB040287 IGNITOR KIT	1	EA	
15	PA080050	Grill Burner	1	EA	
16	006758-000	BURNER DRIP SHIELD (P3 GRILL)	1	EA	
17	PD030060	#10-32 KEPS NUT SS	6	EA	
18	G5009726	HALF FLAVOR GRID KIT	1	EA	

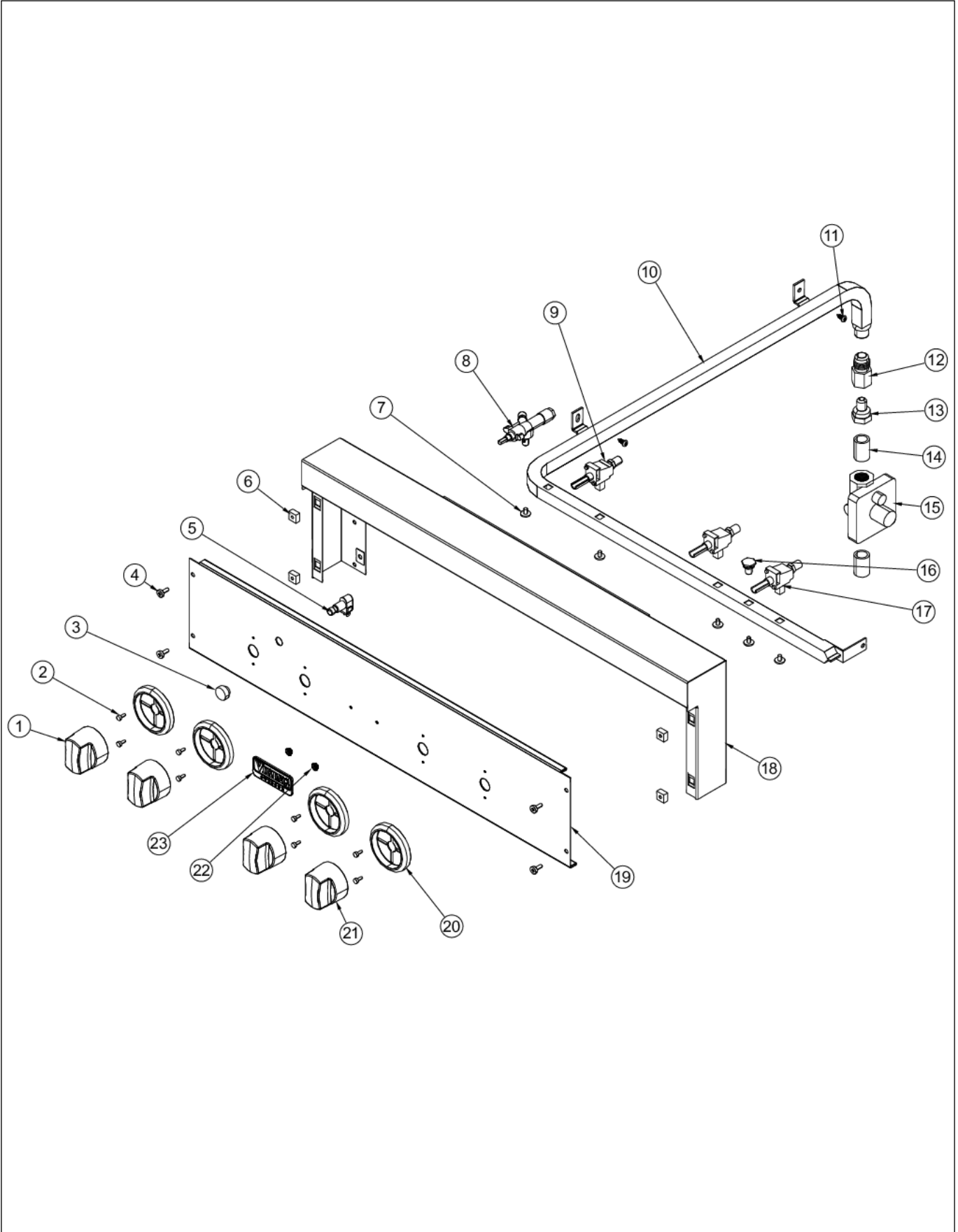
CANOPY AREA



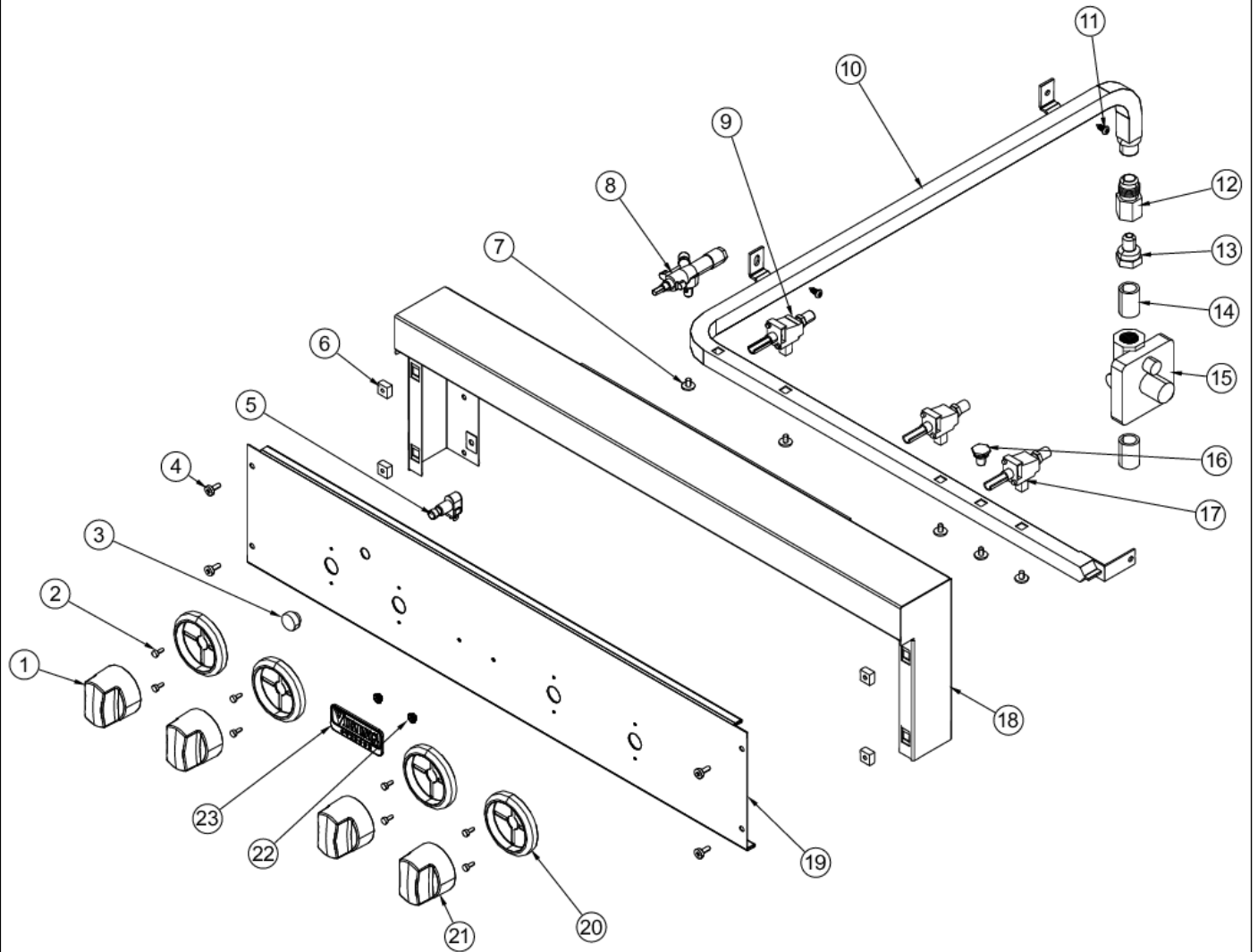


Item	Part No.	Name	Qty	Uom	NOTES
1	PD020055	' #10 X 1/2" PAN PHIL. TEK.*SS*	29	EA	
2	PB010337	GRILL THERMOMETER	1	EA	
3	003366-000	THERMOSTAT BEZEL	1	EA	
4	003634-000	30" OUTER CANOPY	1	EA	
5	003635-000	30" CANOPY HEAT SHIELD	1	EA	
6	006666-000	GRILL CANOPY INSIDE RH	1	EA	
7	003630-000	GRILL CANOPY OUTSIDE RH	1	EA	
8	PD020069	CAP SCREW 1/4-20 X 3/4 SS	4	EA	
9	PD040010	DOOR HANDLE SPACER	2	EA	
10	000268-000	HANDLE ENDCAP	2	EA	
11	PE030041	DOOR HANDLE (CANOPY) *SS* (VGBQ30)	1	EA	
12	006667-000	GRILL CANOPY INSIDE LH	1	EA	
13	003632-000	GRILL CANOPY OUTSIDE LH	1	EA	Not available online / Call for pricing and availability

CONTROL PANEL



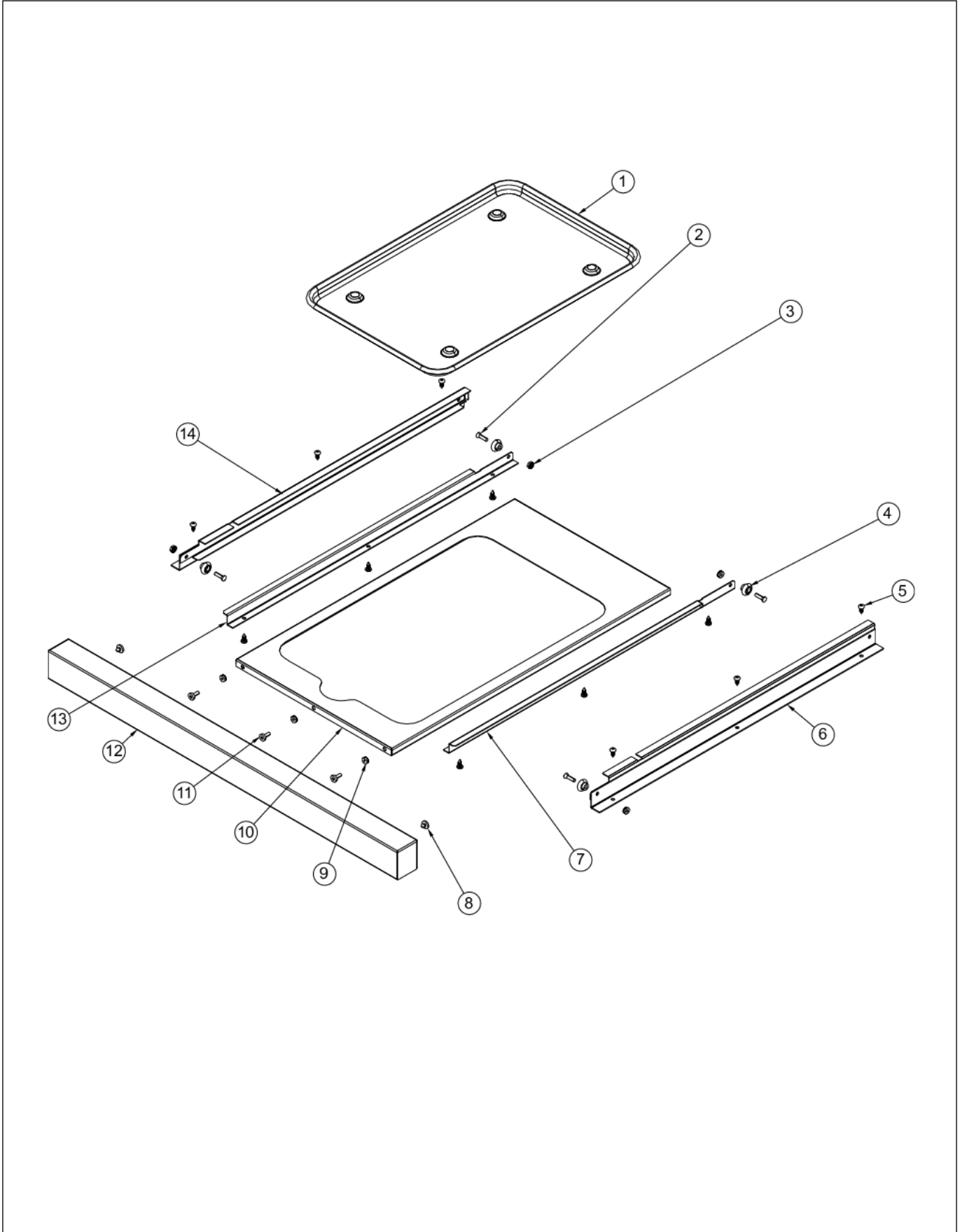
Item	Part No.	Name	Qty	Uom	NOTES
1	003563-000	ROTIS BURNER KNOB	1	EA	
2	PD020067	' #6 X 3/8" PAN PHIL. TEK *SS*	8	EA	
3	PB010163	OVEN LIGHT SWITCH KNOB *BK* (VESO/D	1	EA	
4	PD020056	' #10-24 X 1/2" PH.TR. M.S. *SS*	4	EA	
5	PE050063	SPARKER SWITCH (PHASE 2)	1	EA	
6	PD030050	10-24 CAGE NUT *SS*	4	EA	
7	PD010012	1/4 x 3/8 VALVE BOLT	5	EA	
8	046328-000	NATURAL ROTIS VALVE - KNOB KIT	1	EA	
8	046329-000	LP ROTIS VALVE - KNOB KIT	1	EA	
9	PA010083	GRILL VALVE, NAT	1	EA	Not available online / Call for pricing and availability
9	014953-000	VALVE, GAS, ASM, U BNR - LP #54	1	EA	
10	PA050070	PHASE2 30" MANIFOLD	1	EA	
11	PD020055	' #10 X 1/2" PAN PHIL. TEK.*SS*	2	EA	
12	PB020239	7/8 FLARE TO 1/2 FEMALE CONNECTOR	1	EA	
13	PB040235	1/2"NPT TO 3/8" FLARE COUPLING	1	EA	
14	PB040046	1/2" CLOSE NIPPLE	2	EA	
15	PA070006	PRESSURE REG.(NAT.)-4"-FOR BBQ GRIL - NLA	1	EA	
15	PA070005	PRESSURE REG.(LP) RV47L- 77-10.0	1	EA	
16	002884-000	MANIFOLD PLUG	1	EA	
17	PA010083	GRILL VALVE, NAT	2	EA	Not available online / Call for pricing and availability
17	014960-000	VALVE, GAS, ASM, SIDE, SMKR, LP	2	EA	
18	G3005223	LANDING LEDGE ASSY 30 (PHASE 2)	1	EA	
19	B9205322	CTRL PAN (VGBQ3002RT) SLK SCR	1	EA	
20	050172-000	BEZEL, KNOB	4	EA	





Item	Part No.	Name	Qty	Uom	NOTES
21	003561-000	OUTDOOR GRILL KNOB	3	EA	
22	PD030006	CAPPED WASHER PAL NUT	2	EA	
23	015009-000	OUTDOOR LOGO - 3" CHROME	1	EA	
23	015009-100	OUTDOOR LOGO - 3" BRASS	1	EA	
NI	PB020227	HIGH PRESSURE LP HOSE	1	EA	

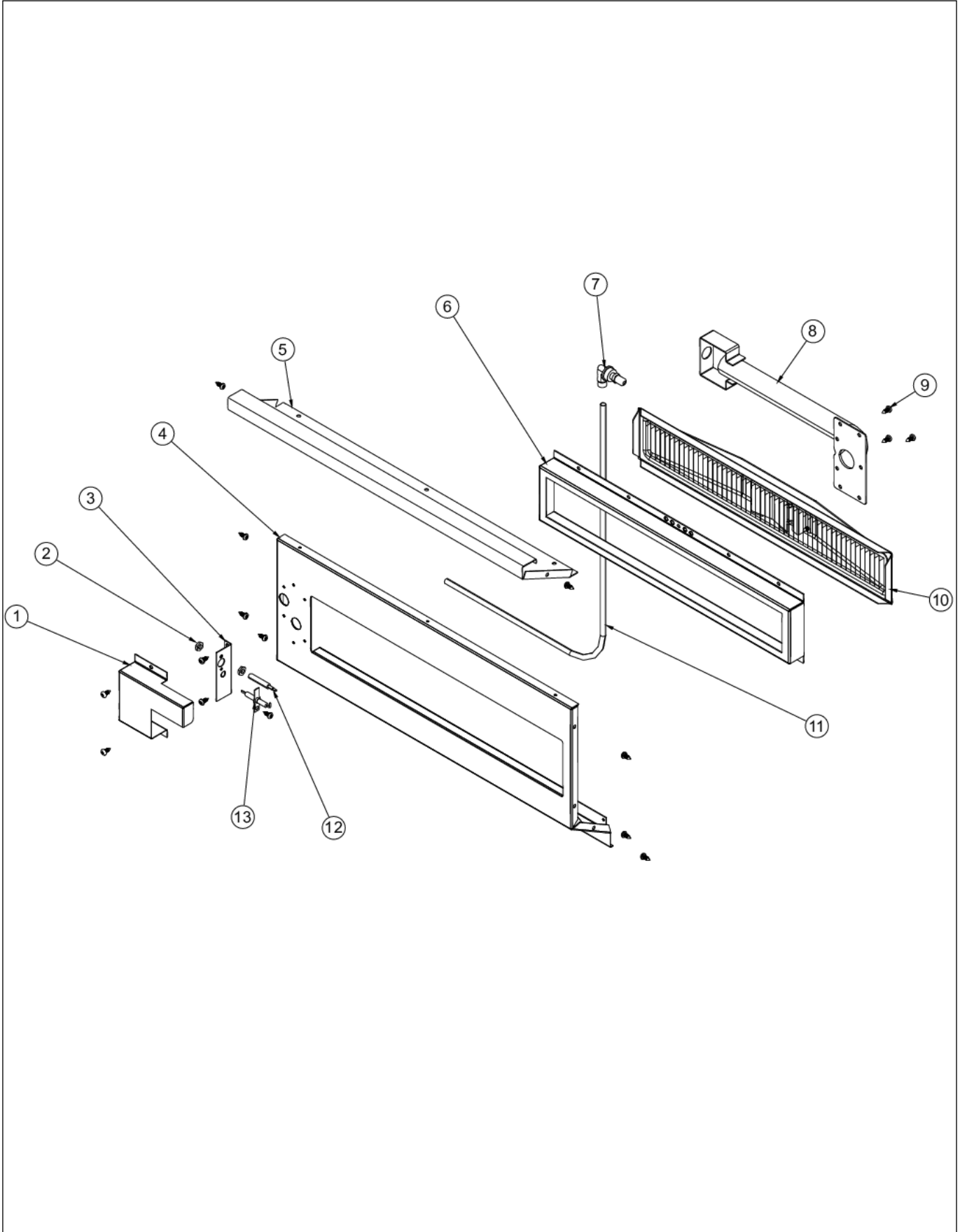
DRIP TRAY





Item	Part No.	Name	Qty	Uom	NOTES
1	J2101749	GREASE PAN	1	EA	
2	PD020082	10 X 24 COUNTERSUNK S.S. SCREW	4	EA	
3	PD030044	10-24 KEPS NUT *SS*	4	EA	
4	PC020025	DRIP TRAY WHEEL	4	EA	
5	PD020055	' #10 X 1/2" PAN PHIL. TEK.*SS*	12	EA	
6	G3005215	DRIP TRAY SLIDE - RH	1	EA	
7	B2005316	DRIP TRAY RUNNER RH	1	EA	
8	PD040004	GROMMET BUMPER	2	EA	
9	PD030044	10-24 KEPS NUT *SS*	3	EA	
10	B2005312	DRIP TRAY 30 (PHASE 2)	1	EA	
11	PD020056	' #10-24 X 1/2" PH.TR. M.S. *SS*	3	EA	
12	B3005315	30 INCH DRIP TRAY HANDLE (PHASE 2)	1	EA	
13	G3005214	DRIP TRAY SLIDE - LH	1	EA	
14	B2005317	DRIP TRAY RUNNER LH (PHASE 2)	1	EA	

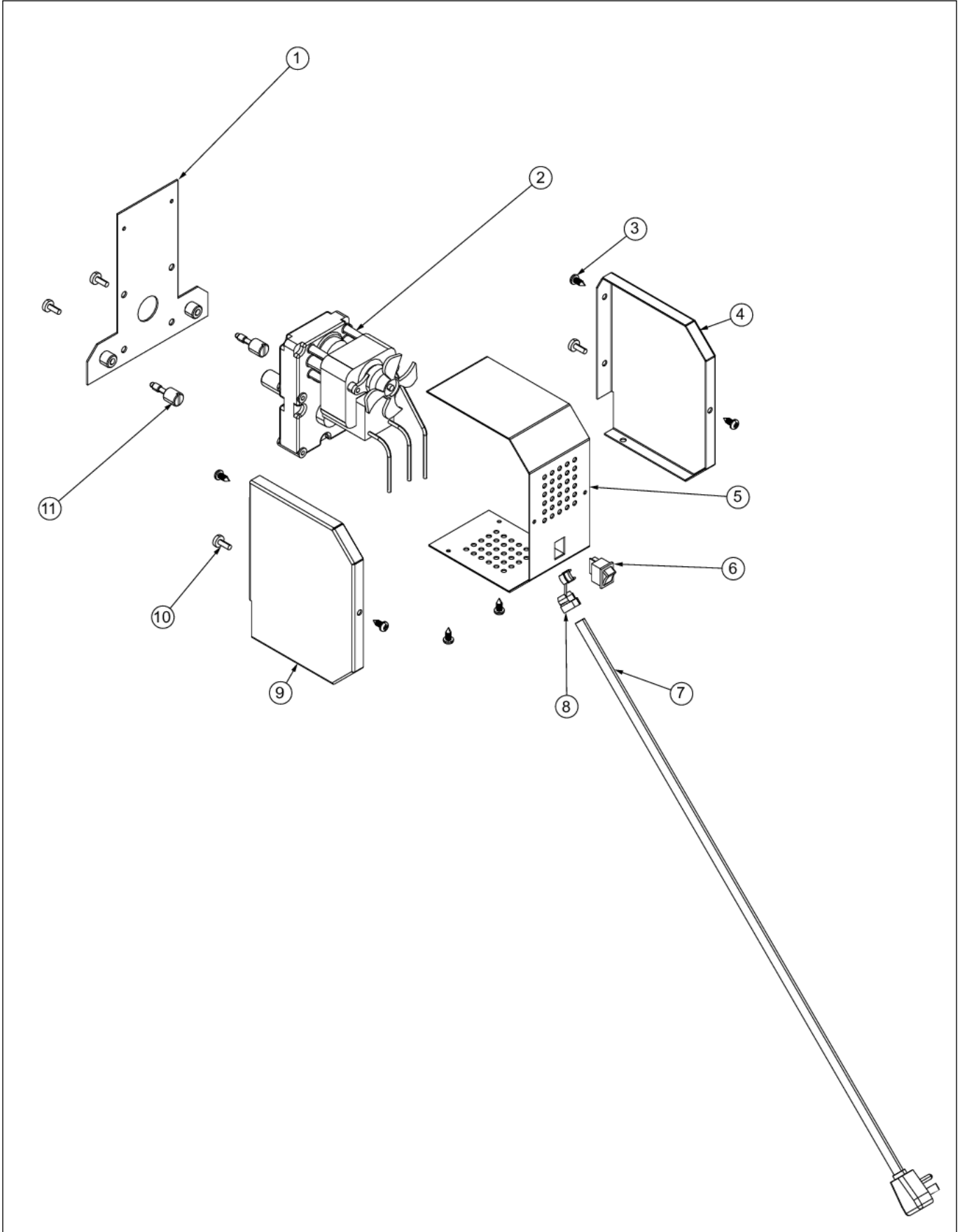
ROTISSERIE BURNER AREA





Item	Part No.	Name	Qty	Uom	NOTES
1	B20015402	I/R IGNITOR COVER LH	1	EA	
2	PD030048	THERMCOUPLE NUT M08-VGBQ-8743300007	2	EA	
3	B20015403	IR IGNITOR BRACKET	1	EA	
4	G91015522	FRONT HOUSING ASSY (VGIQ3002RT)	1	EA	
5	E9105393	30" FRONT HOUSING TOP	1	EA	
6	B2005347	I/R Frame	1	EA	
7	PB040124	90 DEG. ORIFICE FITTING	1	EA	
7	PB040125	ORIFICE FTG 90D 20"IR #57 HD YELLOW	1	EA	
8	PB050060	I/R VENTURI (PHASE 2 BBQ)	1	EA	
9	PD020055	' #10 X 1/2" PAN PHIL. TEK.*SS*	16	EA	
10	A2105288	I/R BURNER BOX 20"	1	EA	
11	PB020096	48" 5/16 S.S. FLEX TUBING REPL F2003505	1	EA	
12	PB010162	THERMOCOUPLE - BBQ GRILL W/ ROTIS	1	EA	
13	PB040168	SUB TO PB040169 - I/R IGNITOR	1	EA	NO LONGER AVAILABLE, Not available online / Call for pricing and availability

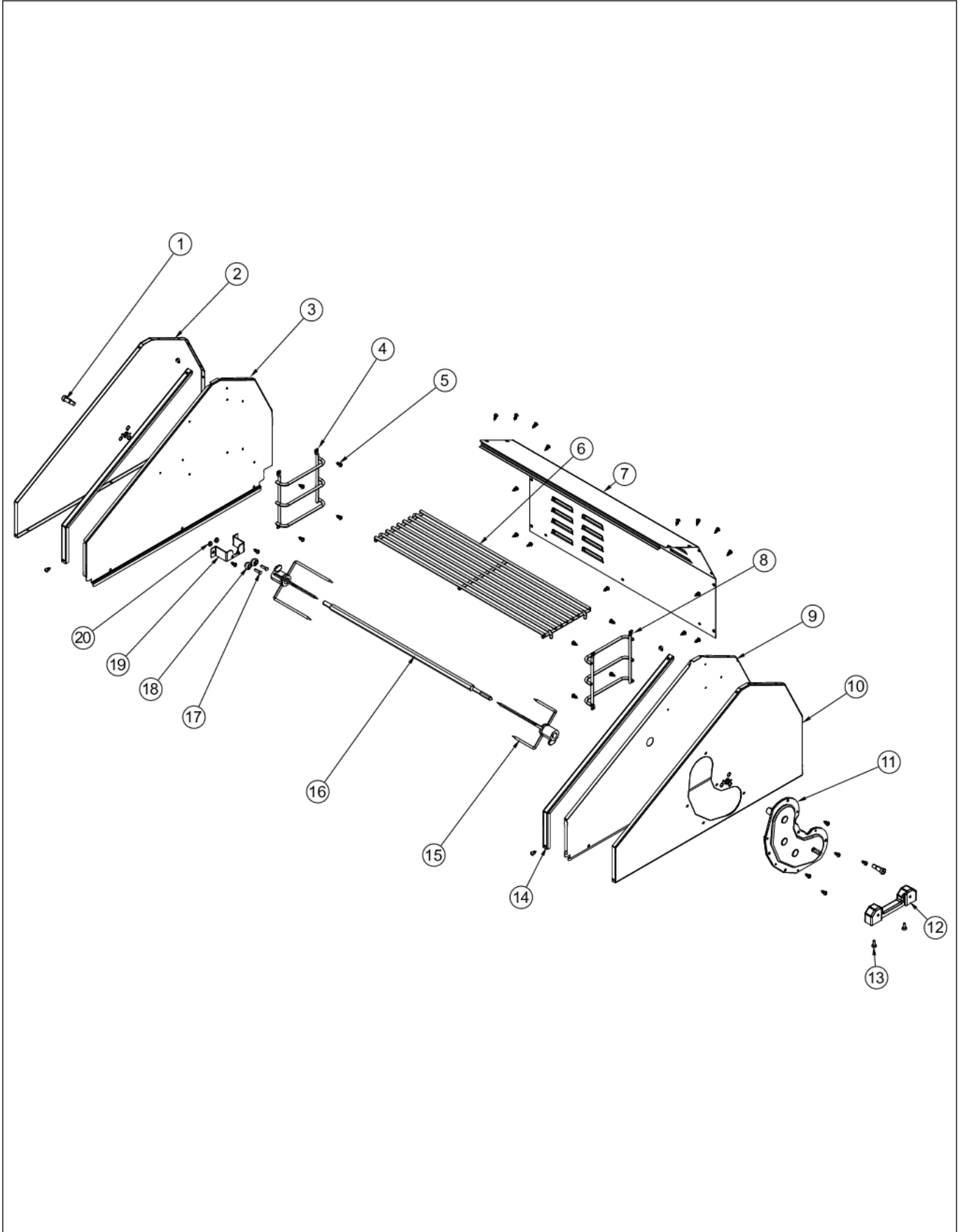
ROTISSERIE MOTOR ASSEMBLY





Item	Part No.	Name	Qty	Uom	NOTES
1	002081-000	ROT MOTOR MOUNTING PLATE ASSY	1	EA	
2	PE070184	ROTISSERIE MOTOR	1	EA	
3	PD020055	' #10 X 1/2" PAN PHIL. TEK.*SS*	6	EA	
4	B2005285	PHASE II ROTIS BOX FRONT	1	EA	
5	B2005286	PHASE II ROTIS COVER	1	EA	
6	PE050051	ROTISSERIE SWITCH	1	EA	
7	PE070189	ELECTRICAL SUPPLY CORD - BBQ GRILL	1	EA	
8	PD040044	SNAP THRU BUSHING 1/4"DIA CORD	1	EA	
9	B2005284	PHASE II ROTIS BOX FRONT	1	EA	
10	PD020056	' #10-24 X 1/2" PH.TR. M.S. *SS*	4	EA	
11	PD010090	ROTISSERIE FASTENER KNOB	2	EA	

UPPER GRILLE AREA





Item	Part No.	Name	Qty	Uom	NOTES
1	PD010043	5/16INCH SHOULDER BOLT (PHASE 2)	2	EA	
2	G5005257	O/S Windshield Assy - LH	1	EA	
3	B20015419	INSIDE WINDSHIELD LH	1	EA	Not available online / Call for pricing and availability
4	PB060112	WARMING RACK SUPPORT RH	1	EA	
5	PD020055	' #10 X 1/2" PAN PHIL. TEK.*SS*	30	EA	
6	PB060057	WARMING RACK 30	1	EA	
7	003652-000	30" GRILL REAR COVER	1	EA	
8	PB060113	WARMING RACK SUPPORT LH	1	EA	
9	B10015418	INSIDE WINDSHIELD RH	1	EA	Not available online / Call for pricing and availability
10	G5005256	O/S Windshield Assy - RH	1	EA	Not available online / Call for pricing and availability
11	PC070024	ROTIS. GEAR BOX ASSY	1	EA	
12	PB060055	Rotis. Mount Casting	1	EA	
13	PD020056	' #10-24 X 1/2" PH.TR. M.S. *SS*	2	EA	
14	B20015574	GRILL WINDSHIELD TRIM	2	EA	
15	032881-000	FORK, RTSR	2	EA	
16	PB060054	ROTIS SPIT ROD 30"	1	EA	
17	PD020082	10 X 24 COUNTERSUNK S.S. SCREW	2	EA	
18	PC020025	DRIP TRAY WHEEL	2	EA	
19	B2005278	ROTISSERIE ROLLER BRACKET (PHASE 2)	1	EA	
20	PD030044	10-24 KEPS NUT *SS*	2	EA	



Appendix A:Pages Index

BURNER BOX AREA 1
BURNER GRATE AREA 2
CANOPY AREA 3
CONTROL PANEL 4
DRIP TRAY 5
ROTISSERIE BURNER AREA 6
ROTISSERIE MOTOR ASSEMBLY 7
UPPER GRILLE AREA 8



Appendix B:Parts Index

000268-000	3	B2005250	1
002081-000	7	B2005278	8
002884-000	4	B2005284	7
003366-000	3	B2005285	7
003561-000	4	B2005286	7
003563-000	4	B2005312	5
003630-000	3	B2005316	5
003632-000	3	B2005317	5
003634-000	3	B2005346	2
003635-000	3	B2005347	6
003652-000	8	B2006305	1
003856-000	1	B2007820	1
006666-000	3	B3005315	5
006667-000	3	B9205322	4
006757-000	2	E9105393	6
006758-000	2	G3005214	5
006768-000	1	G3005215	5
008090-000	2	G3005223	4
008091-000	2	G5005256	8
014953-000	4	G5005257	8
014960-000	4	G5009726	2
015009-000	4	G91015522	6
015009-100	4	J2101749	5
027596-000	2	L1005398	1
032881-000	8	L1005399	1
046328-000	4	PA010083	4, 4
046329-000	4	PA020036	1
050172-000	4	PA050070	4
A2105288	6	PA060052	2
B10015418	8	PA060053	2
B20015402	6	PA060068	2
B20015403	6	PA060069	2
B20015419	8	PA070005	4
B20015513	1	PA070006	4
B20015516	1	PA080050	2
B20015574	8	PA080051	2
B2005202	1	PB010162	6
B2005203	1	PB010163	4
B2005204	1	PB010337	3
B2005246	1	PB020096	6
		PB020114	2



PB020115 2
PB020227 4
PB020239 4
PB040046 4
PB040124 6
PB040125 6
PB040168 6
PB040235 4
PB050060 6
PB060054 8
PB060055 8
PB060057 8
PB060112 8
PB060113 8
PC020025 5, 8
PC070024 8
PD010012 4
PD010043 8
PD010090 7
PD020055 1, 2, 3, 4, 5, 6, 7, 8
PD020056 1, 4, 5, 7, 8
PD020067 2, 4
PD020069 3
PD020082 5, 8
PD030006 4
PD030044 2, 5, 5, 8
PD030048 6
PD030050 1, 4
PD030060 2
PD040004 5
PD040010 3
PD040044 7
PE030041 3
PE050051 7
PE050063 4
PE070184 7
PE070189 7
PK010061 2
PM010049 1