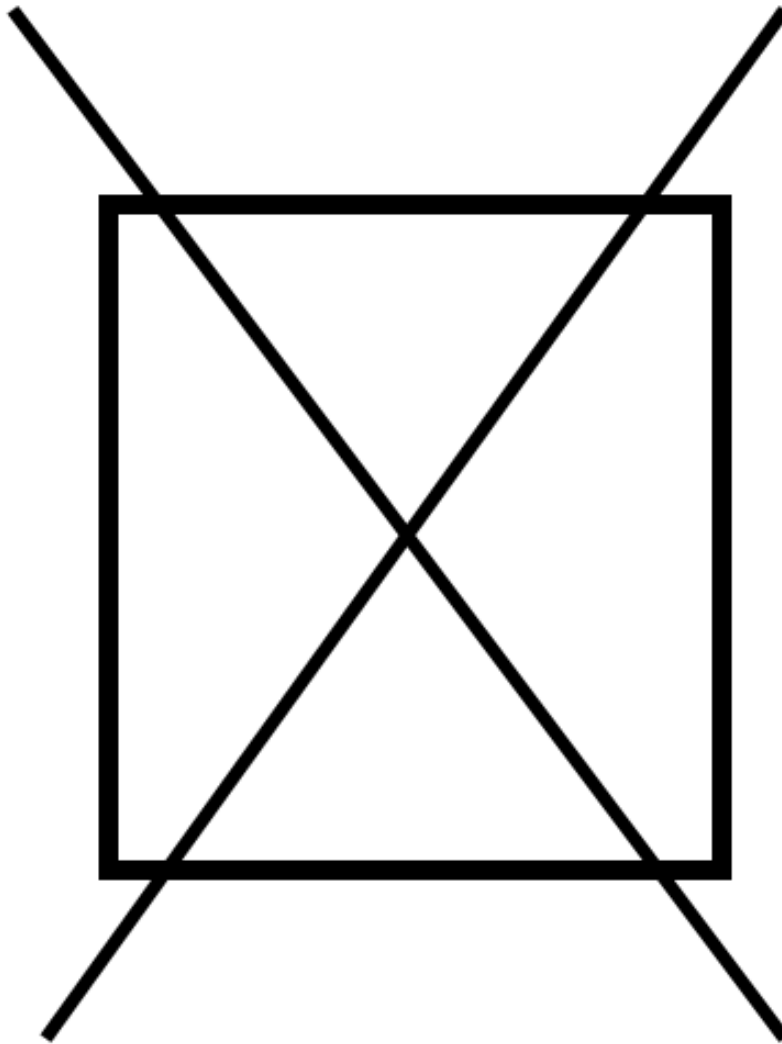


**VGBQ3002RE2**

30 & 41 WIRE ASSEMBLY .....	1
BURNER BOX AREA .....	2
BURNER GRATE AREA .....	3
CANOPY AREA .....	4
CONTROL PANEL .....	5
DRIP TRAY .....	6
HARNESS, WIRE, ROTISSERIE .....	7
IGNITOR WIRE 34 .....	8
LED WIRE 10.75 .....	9
LED WIRE 11.50 .....	10
LED WIRE 4.875 .....	11
LP CONNECTION SERVICE KIT .....	12
MAIN HARNESS .....	13
ROTISSERIE BURNER AREA .....	14
ROTISSERIE MOTOR ASSEMBLY .....	15
UPPER GRILLE AREA .....	16
Appendix A:Pages Index .....	A
Appendix B:Parts Index .....	B



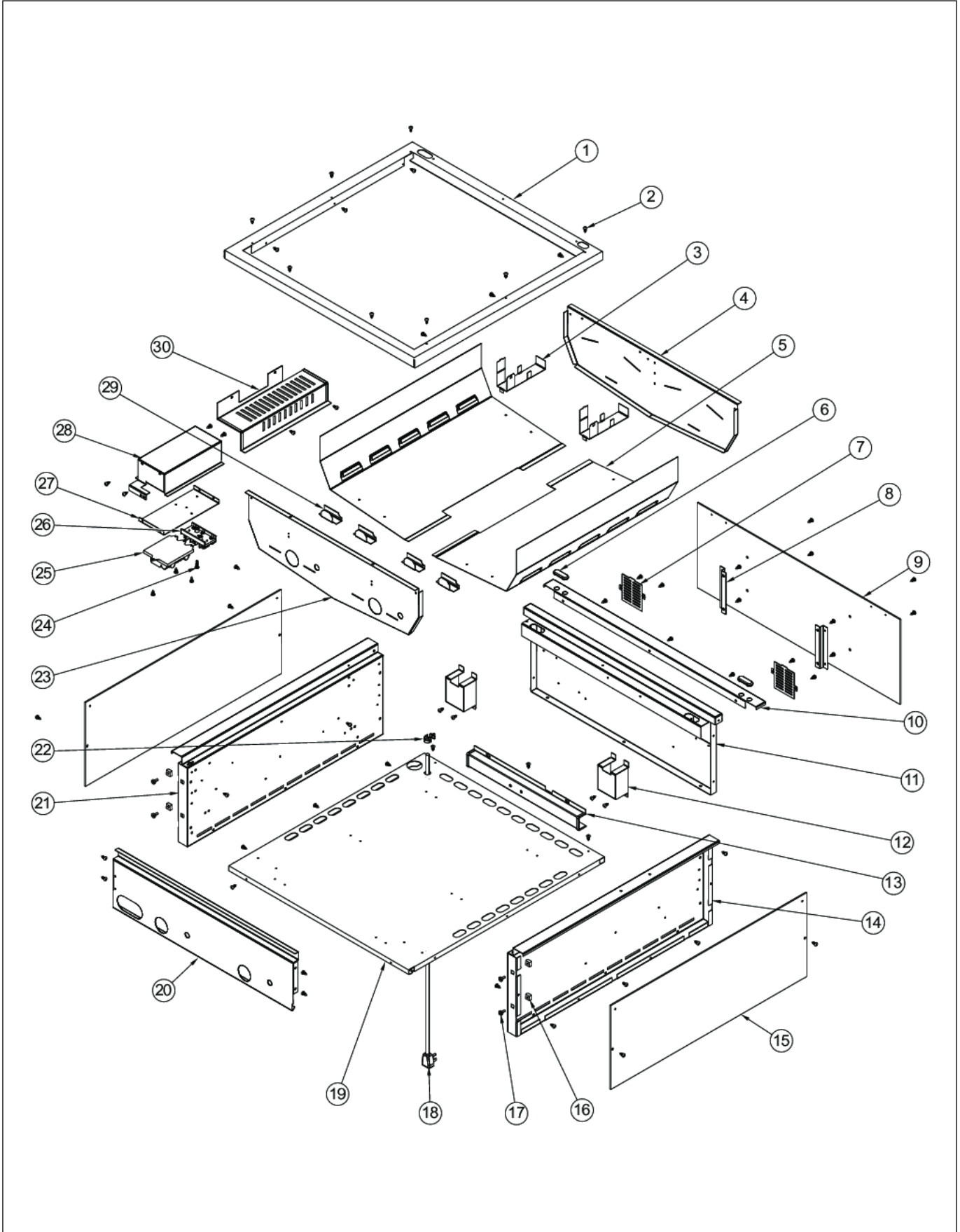
NON  
ILLUSTRATED PART





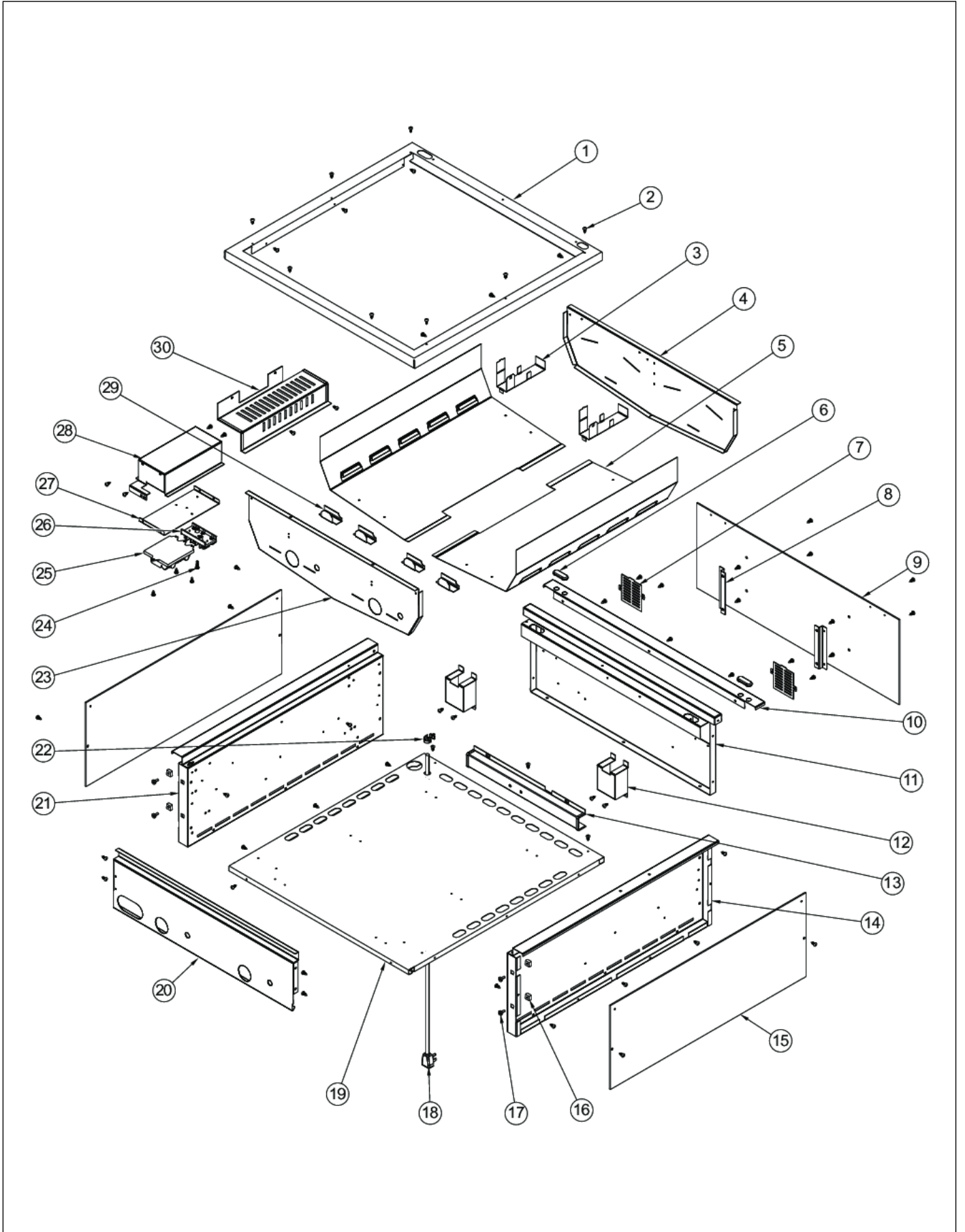
Item	Part No.	Name	Qty	Uom	NOTES
NI	006384-000	30" & 41" WIRE ASSEMBLY	1	EA	

BURNER BOX AREA





Item	Part No.	Name	Qty	Uom	NOTES
1	B20015516	GRILL FRAME 30"	1	EA	
2	PD020055	' #10 X 1/2" PAN PHIL. TEK. *SS*	65	EA	
3	006010-000	GRILL BURNER REAR BRACKET	2	EA	
4	025544-000	BOX, BNR, BACK, 30"	1	EA	
5	025543-000	BOX, BRN, BOT, 30"	2	EA	
6	002671-000	RUBBER DOOR BUMPER	2	EA	
7	002353-000	GRILL PLUG VENT	2	EA	NO LONGER AVAILABLE, Not available online / Call for pricing and availability
8	B2006305	HEAT SHIELD BRACKET	2	EA	
9	L1005399	REAR HEAT SHIELD 30"	1	EA	NO LONGER AVAILABLE
10	003856-000	30" GRILL REAR TRIM	1	EA	
11	B20015513	GRILL BOX BACK 30"	1	EA	
12	002355-000	GRILL RECEPTACLE BOX	2	EA	
13	A2000210	WIRE CHANNEL	1	EA	NO LONGER AVAILABLE, Not available online / Call for pricing and availability
14	B2005203	Grill Box Side - RH	1	EA	
15	L1005398	Side Heat Shield	2	EA	
16	PD030050	10-24 CAGE NUT *SS*	4	EA	
17	PD020056	' #10-24 X 1/2" PH.TR. M.S. *SS*	4	EA	
18	PE070791	GRILL POWER SUPPLY CORD (8 FT)	1	EA	
19	B20015510	GRILL BOX BOTTOM 30"	1	EA	
20	025801-000	SUPPORT, GRL, FR, VGBQ3002RE2	1	EA	
21	B2005204	Grill Box Side - LH	1	EA	
22	PD040044	SNAP THRU BUSHING 1/4"DIA CORD	1	EA	
23	025542-000	BOX, BNR, FR, 30"	1	EA	
24	PD020166	#10 X 3/4" PAN PHIL. TEK. *SS*	1	EA	NO LONGER AVAILABLE

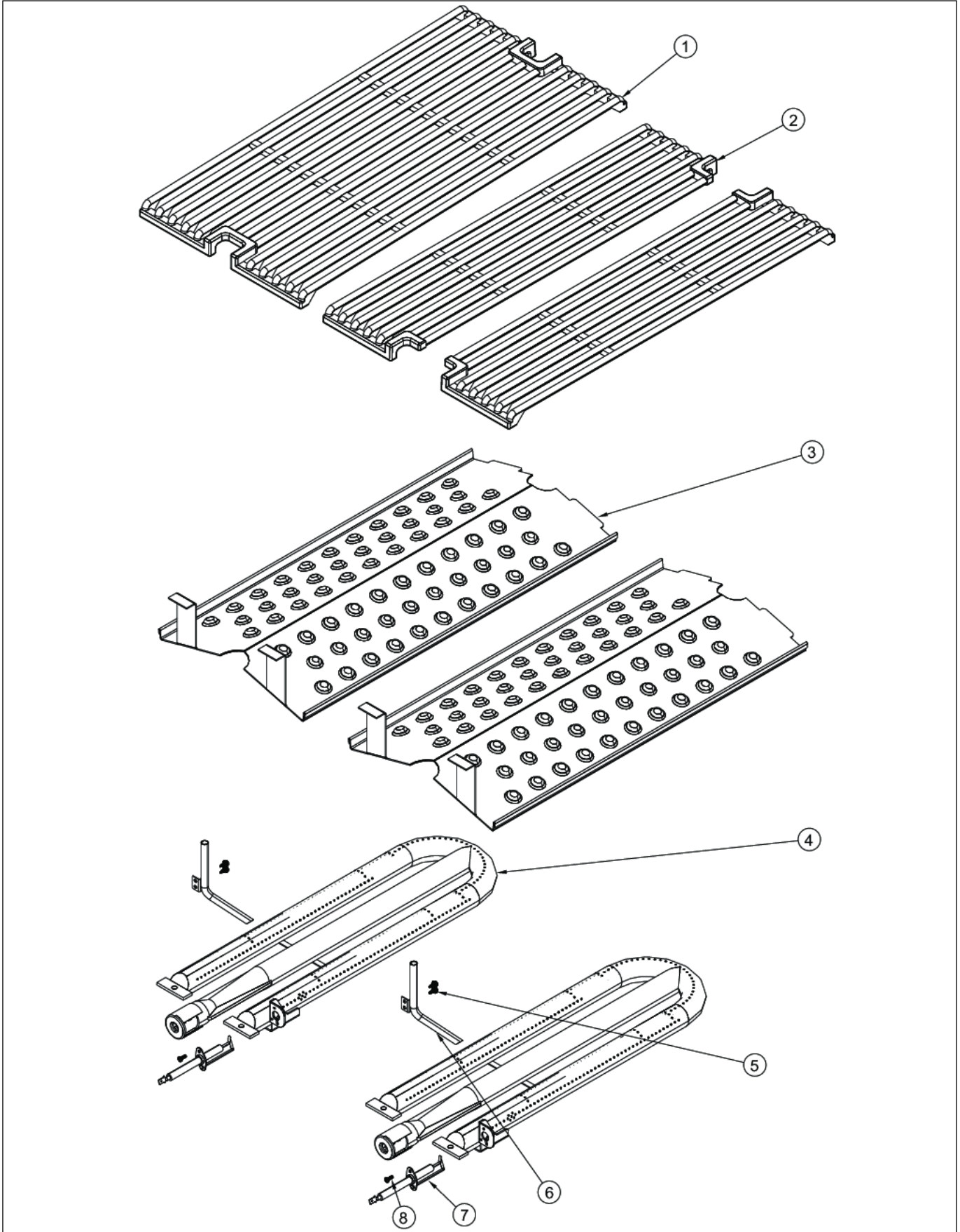






Item	Part No.	Name	Qty	Uom	NOTES
25	PA020047	INVENSYS 0+4 RE-IGNITION SPARK MODULE	1	EA	
26	PE070855	E SERIES TERMINAL BLOCK	1	EA	
27	B20015568	0+4 SM/TB HOUSING BTM	1	EA	
28	B30015552	0+4 SPARK MODULE TERMINAL HOUSING	1	EA	
29	006011-000	GRILL BURNER FRONT BRACKET	4	EA	
30	004089-000	POWER CORD SHIELD	1	EA	
NI	025700-000	HOUSING, MDL, ASM, LH	1	EA	
Not Shown	NOTE	(INCLUDES ITEMS 24 - 28 & ITEM 2)		EA	
NI	025545-000	BOX, BNR, ASM, 30"	1	EA	

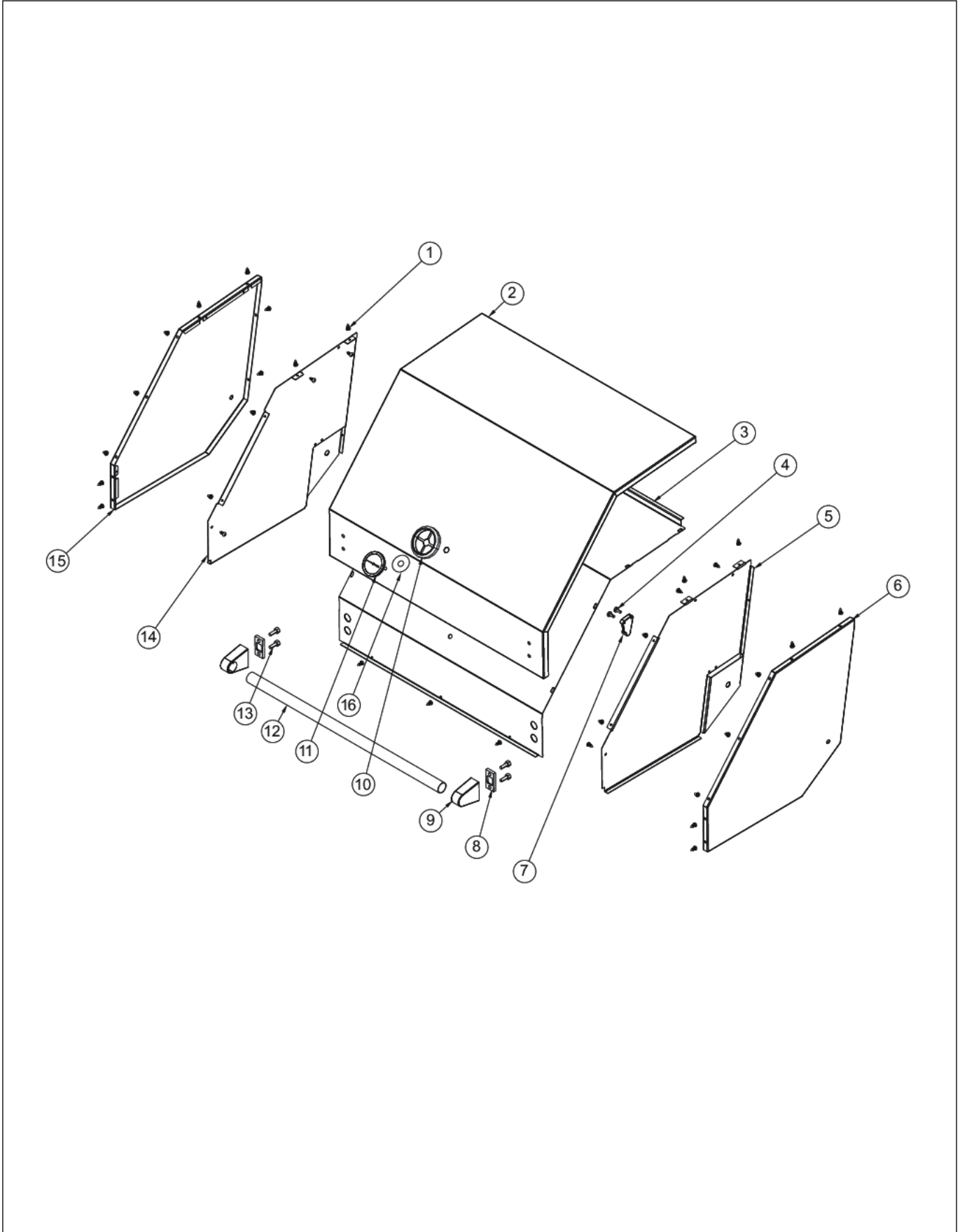
BURNER GRATE AREA





Item	Part No.	Name	Qty	Uom	NOTES
1	002369-000	REDESIGN BBQ GRATE - FULL	1	EA	
2	002370-000	REDESIGN BBQ GRATE - HALF	2	EA	
3	024157-000	SHIELD, GRS	2	EA	
4	023000-000	BURNER, GRL, ASM, U	2	EA	
5	008026-000	SCREW, TEK, #6-20 x 3/8, S.S.	4	EA	
6	PB020114	FLASH TUBE (VGBQ3002T)	2	EA	
7	008091-000	PB040288 IGNITOR KIT	2	EA	
8	004706-000	MACHINE SCREW, 6-32 x 3/8, PAN HD, PHILLIPS	2	EA	
NI	025701-000	BURNER, GRL, ASM	1	EA	
Not Shown	NOTE	(INCLUDES ITEMS 4, 7, & 8)		EA	

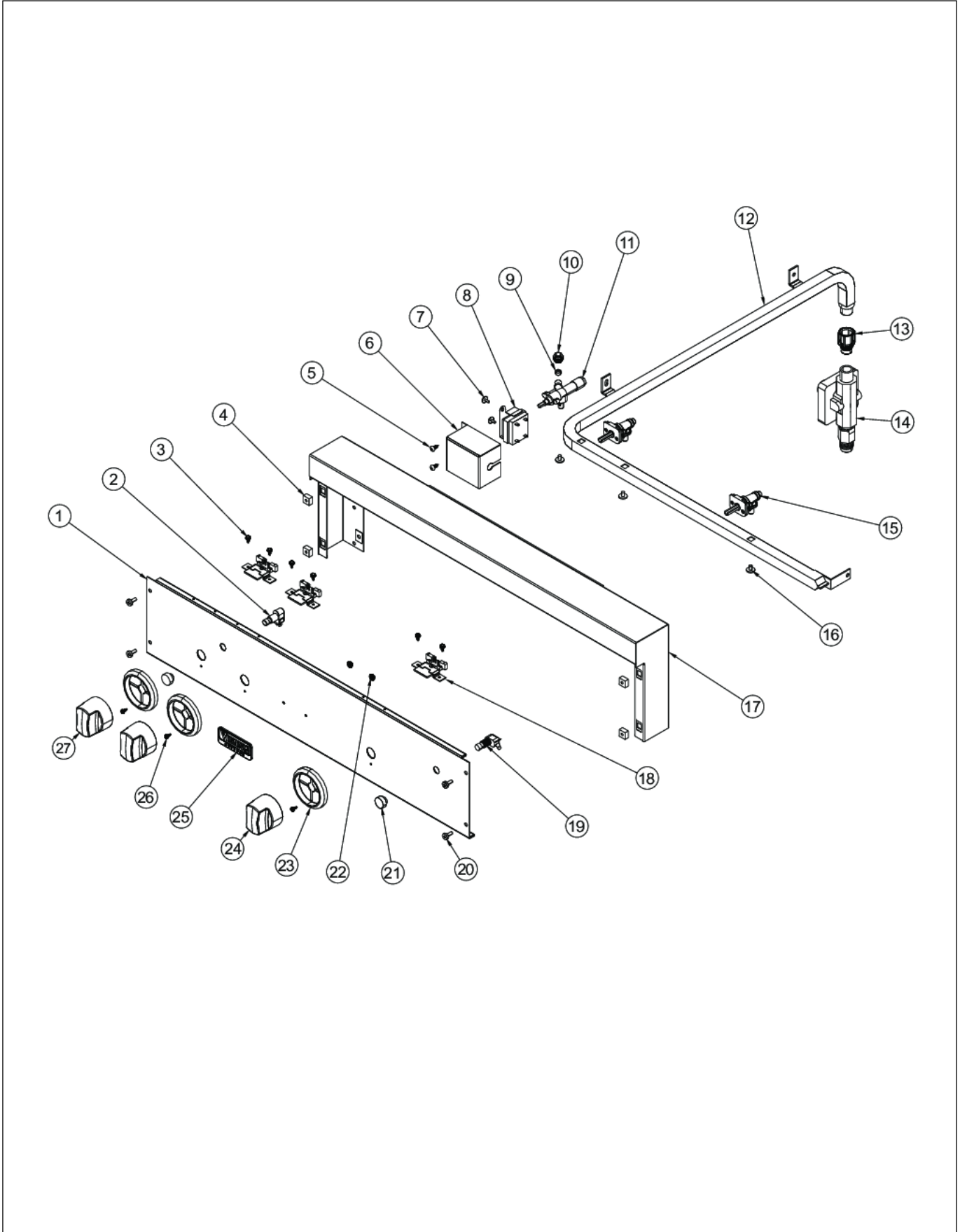
CANOPY AREA



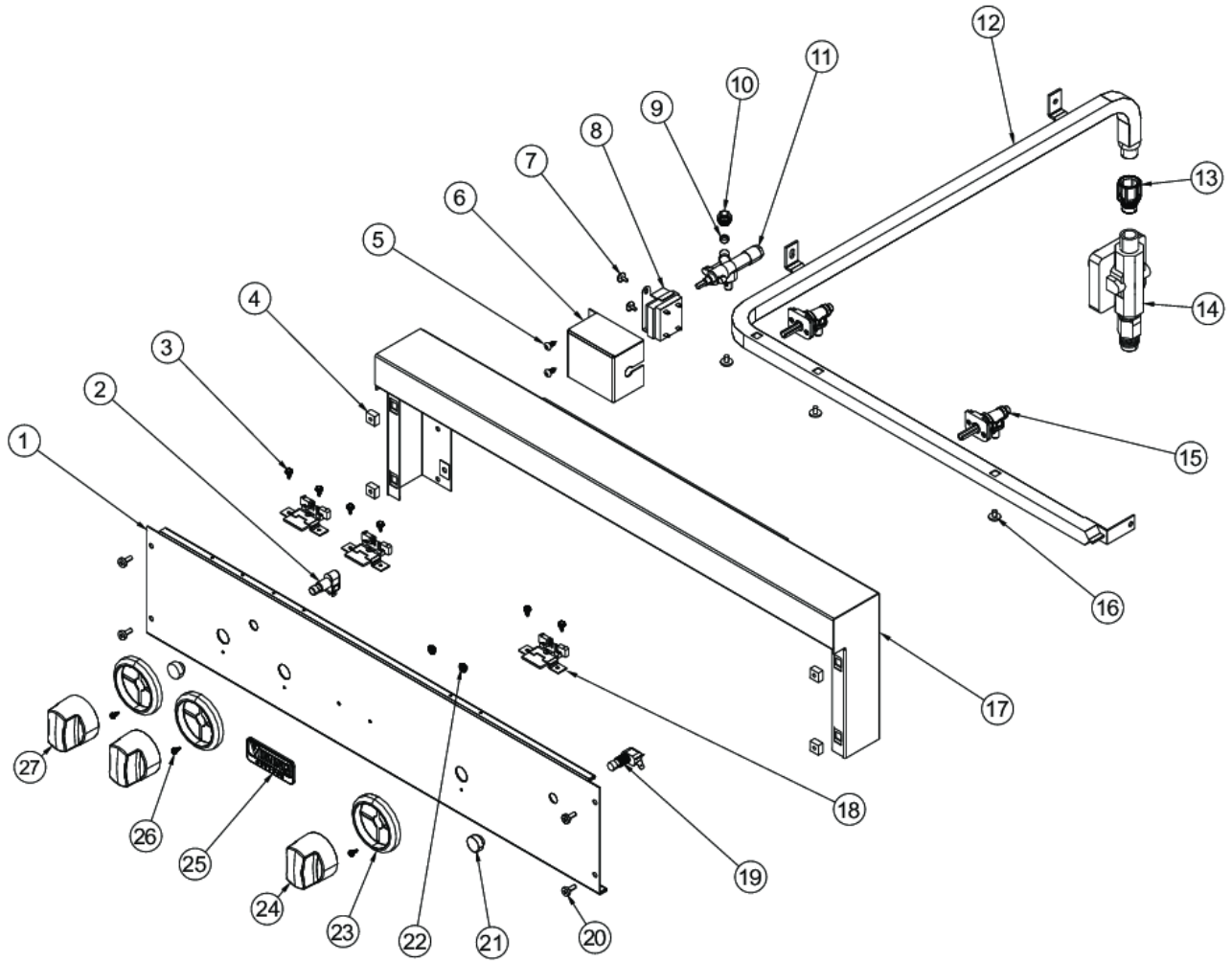


Item	Part No.	Name	Qty	Uom	NOTES
1	PD020055	' #10 X 1/2" PAN PHIL. TEK.*SS*	35	EA	
2	025802-000	SHIELD, CANOPY, FR	1	EA	Not available online / Call for pricing and availability
3	003635-000	30" CANOPY HEAT SHIELD	1	EA	
4	PD020056	' #10-24 X 1/2" PH.TR. M.S. *SS*	2	EA	
5	007379-000	GRILL CANOPY INSIDE RH	1	EA	Not available online / Call for pricing and availability
6	003630-000	GRILL CANOPY OUTSIDE RH	1	EA	
7	007215-000	CANOPY SPRING END MOUNT- RH	1	EA	
8	PD040010	DOOR HANDLE SPACER	2	EA	
9	000268-000	HANDLE ENDCAP	2	EA	
10	050172-000	BEZEL, KNOB	1	EA	
11	042720-000	GAUGE, BMTL, TEMPERATURE	1	EA	
12	PE030041	DOOR HANDLE (CANOPY) *SS* (VGBQ30)	1	EA	
13	PD020069	CAP SCREW 1/4-20 X 3/4 SS	4	EA	
14	003633-000	GRILL CANOPY INSIDE LH	1	EA	
15	003632-000	GRILL CANOPY OUTSIDE LH	1	EA	Not available online / Call for pricing and availability
16	026724-000	SPACER, WSHR	1	EA	
NI	025805-000	HOOD, GRL, ASM, 30"	1	EA	Not available online / Call for pricing and availability
Not Shown	NOTE	(INCLUDES ITEMS 1 - 15)		EA	

# CONTROL PANEL



Item	Part No.	Name	Qty	Uom	NOTES
1	025806-000	CONTROL PANEL, VGBQ3002RE2	1	EA	
2	PE050063	SPARKER SWITCH (PHASE 2)	1	EA	
3	008026-000	SCREW, TEK, #6-20 x 3/8, S.S.	6	EA	
4	PD030050	10-24 CAGE NUT *SS*	4	EA	
5	PD020055	' #10 X 1/2" PAN PHIL. TEK.*SS*	2	EA	
6	007657-000	PROT. COVER	1	EA	
7	PD020073	SRW #10 X 24 X 3/8 WAFER HD TYPE23	2	EA	
8	006021-000	SCE, PWR, LED, 12VAC	1	EA	
9	PB040263	5/16 FERRULE	1	EA	
10	PB040228	FITTING BRASS COMPRESSION NUT	1	EA	
11	046328-000	NATURAL ROTIS VALVE - KNOB KIT	1	EA	
11	046329-000	LP ROTIS VALVE - KNOB KIT	1	EA	
12	025799-000	MANIFOLD, GRL, 30"	1	EA	
13	023653-000	Nipple-Coupler Assy	1	EA	
14	G3004936	REGULATOR ASSY - NAT (P1 GRILL)	1	EA	
14	G3004937	REGULATOR ASSY - L.P. W/HOSE	1	EA	
15	014952-000	VALVE, GAS, ASM, U BNR #40	2	EA	
15	006389-000	GAS VALVE - LP	2	EA	
16	PD010012	1/4 x 3/8 VALVE BOLT	5	EA	
17	G3005223	LANDING LEDGE ASSY 30 (PHASE 2)	1	EA	
18	005999-000	LED BOARD ASSEMBLY	3	EA	
19	PE050019	OVEN LIGHT SWITCH (VGSO166) 90-DEG.	1	EA	
20	PD020056	' #10-24 X 1/2" PH.TR. M.S. *SS*	4	EA	
21	PB010163	OVEN LIGHT SWITCH KNOB *BK* (VESO/D	2	EA	
22	PD030006	CAPPED WASHER PAL NUT	2	EA	
23	050172-000	BEZEL, KNOB	3	EA	
24	003561-000	OUTDOOR GRILL KNOB	2	EA	

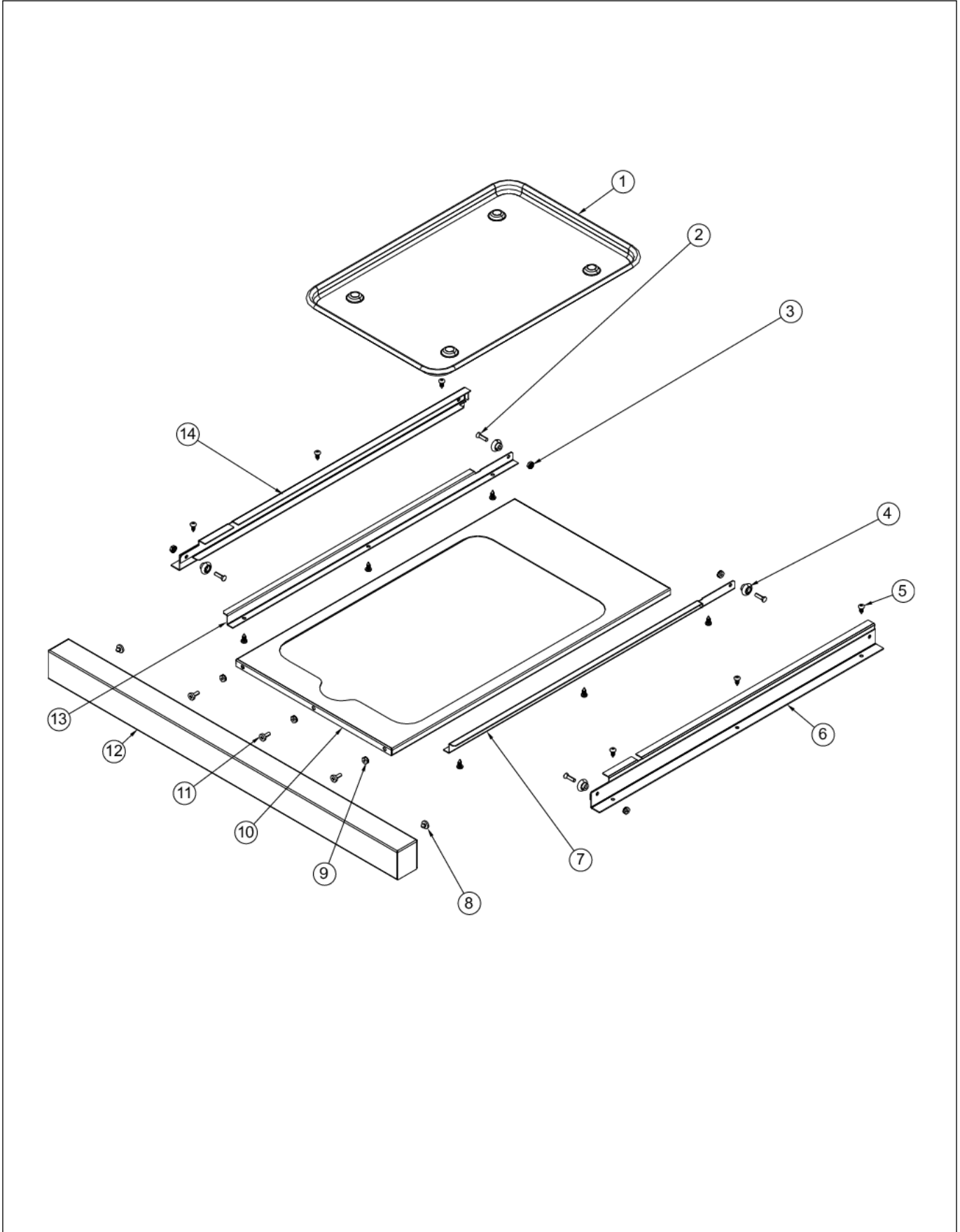






Item	Part No.	Name	Qty	Uom	NOTES
25	015009-000	OUTDOOR LOGO - 3" CHROME	1	EA	
26	020041-000	SCR, DR, PH, PNH, 410 SS, NPLT, 6-20 x 3/8	3	EA	
27	003563-000	ROTIS BURNER KNOB	1	EA	
NI	025800-000	MANIFOLD, GAS, ASM, VGBQ3002RE2	1	EA	Not available online / Call for pricing and availability
NI	026744-000	MANIFOLD, LP GAS ASM, VGBQ3002RE2	1	EA	Not available online / Call for pricing and availability
NI	025702-000	HOUSING, XFMR, ASM	1	EA	Not available online / Call for pricing and availability
Not Shown	NOTE	(INCLUDES ITEMS 6 - 8)		EA	
NI	025808-000	PANEL, CTRL, ASM VGBQ3002RE2	1	EA	Not available online / Call for pricing and availability
Not Shown	NOTE	(INCLUDES ITEMS 1 - 3 & 18 - 27)		EA	

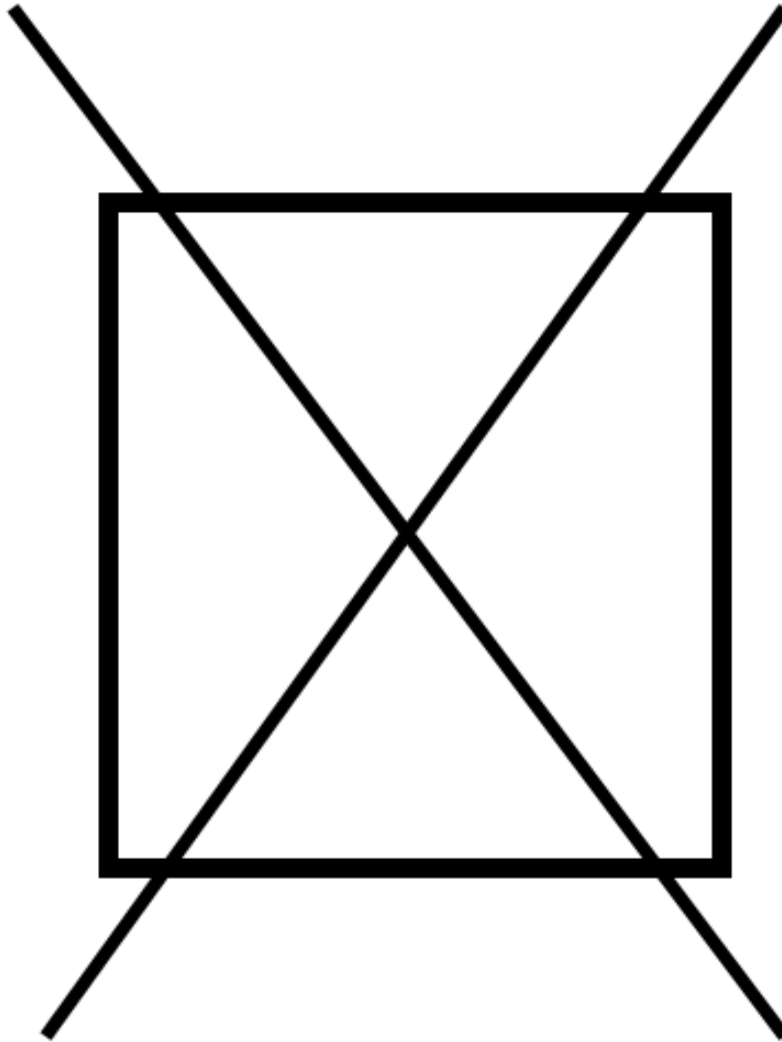
## DRIP TRAY





Item	Part No.	Name	Qty	Uom	NOTES
1	J2101749	GREASE PAN	1	EA	
2	PD020082	10 X 24 COUNTERSUNK S.S. SCREW	4	EA	
3	PD030044	10-24 KEPS NUT *SS*	4	EA	
4	PC020025	DRIP TRAY WHEEL	4	EA	
5	PD020055	' #10 X 1/2" PAN PHIL. TEK.*SS*	12	EA	
6	G3005215	DRIP TRAY SLIDE - RH	1	EA	
7	B2005316	DRIP TRAY RUNNER RH	1	EA	
8	PD040004	GROMMET BUMPER	2	EA	
9	PD030044	10-24 KEPS NUT *SS*	3	EA	
10	B2005312	DRIP TRAY 30 (PHASE 2)	1	EA	
11	PD020056	' #10-24 X 1/2" PH.TR. M.S. *SS*	3	EA	
12	B3005315	30 INCH DRIP TRAY HANDLE (PHASE 2)	1	EA	
13	G3005214	DRIP TRAY SLIDE - LH	1	EA	
14	B2005317	DRIP TRAY RUNNER LH (PHASE 2)	1	EA	
NI	G3205308	30 INCH DRIP TRAY ASSY (PHASE 2)	1	EA	
Not Shown	NOTE	(INCLUDES ITEMS 1 - 14)		EA	

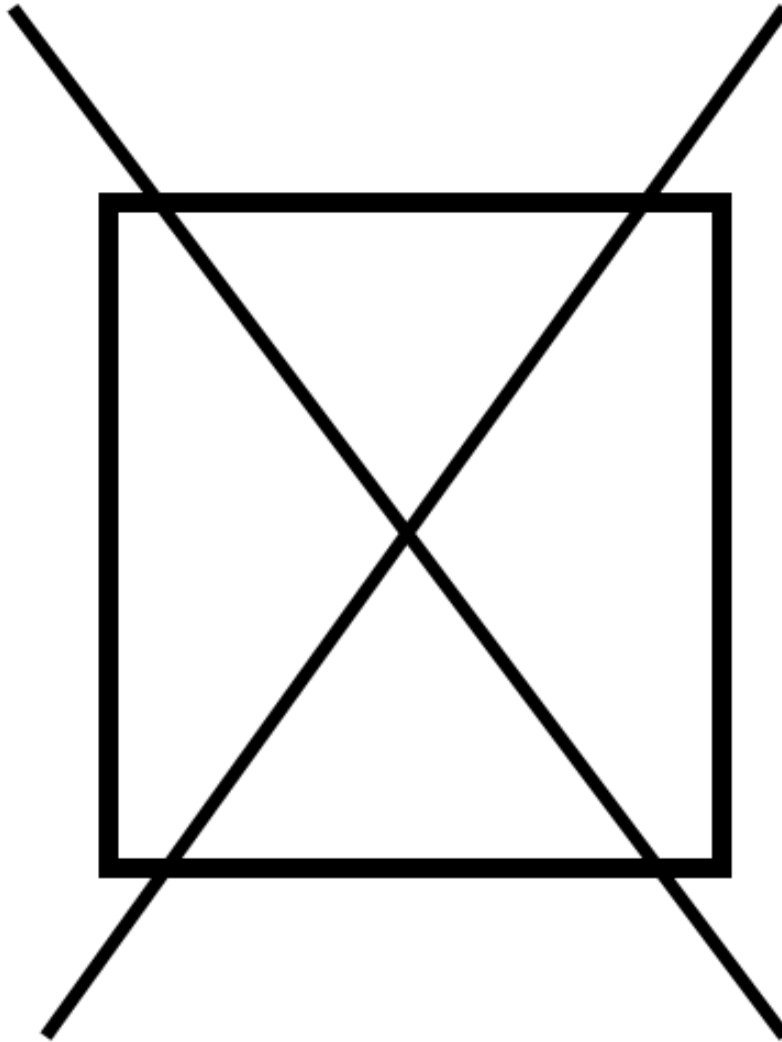
NON  
ILLUSTRATED PART





Item	Part No.	Name	Qty	Uom	NOTES
NI	025323-000	HARNESS, WIRE, ROTISSERIE	1	EA	

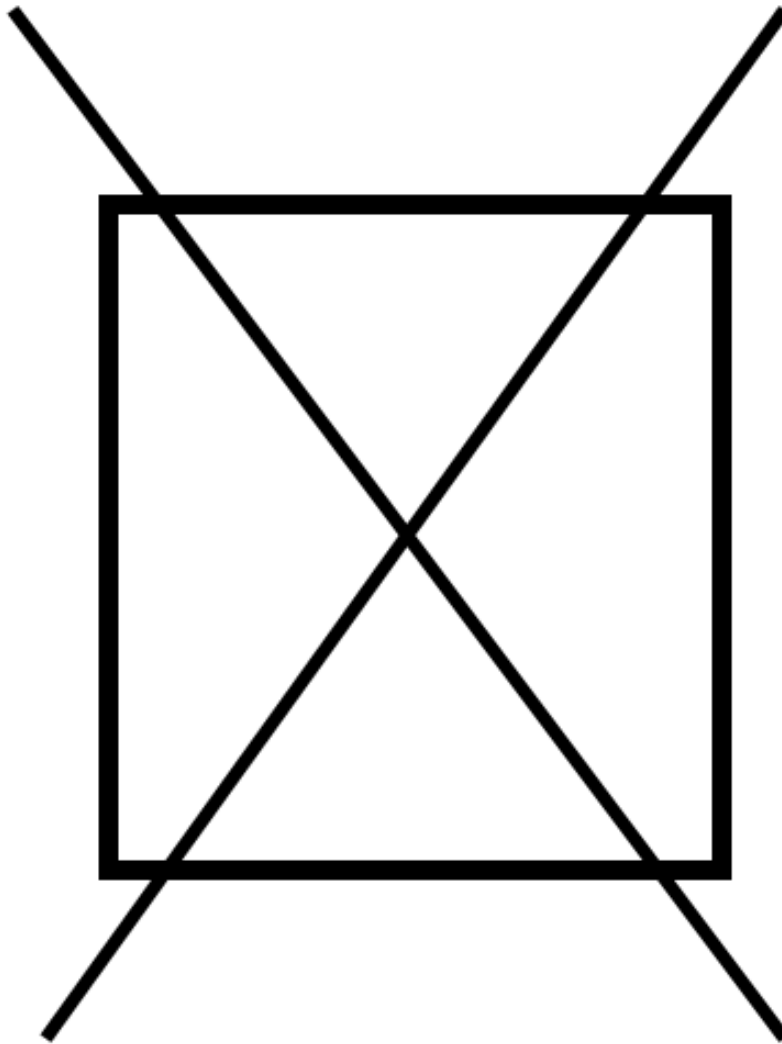
NON  
ILLUSTRATED PART





Item	Part No.	Name	Qty	Uom	NOTES
NI	G40016229	IGNITOR WIRE 34"	1	EA	

NON  
ILLUSTRATED PART

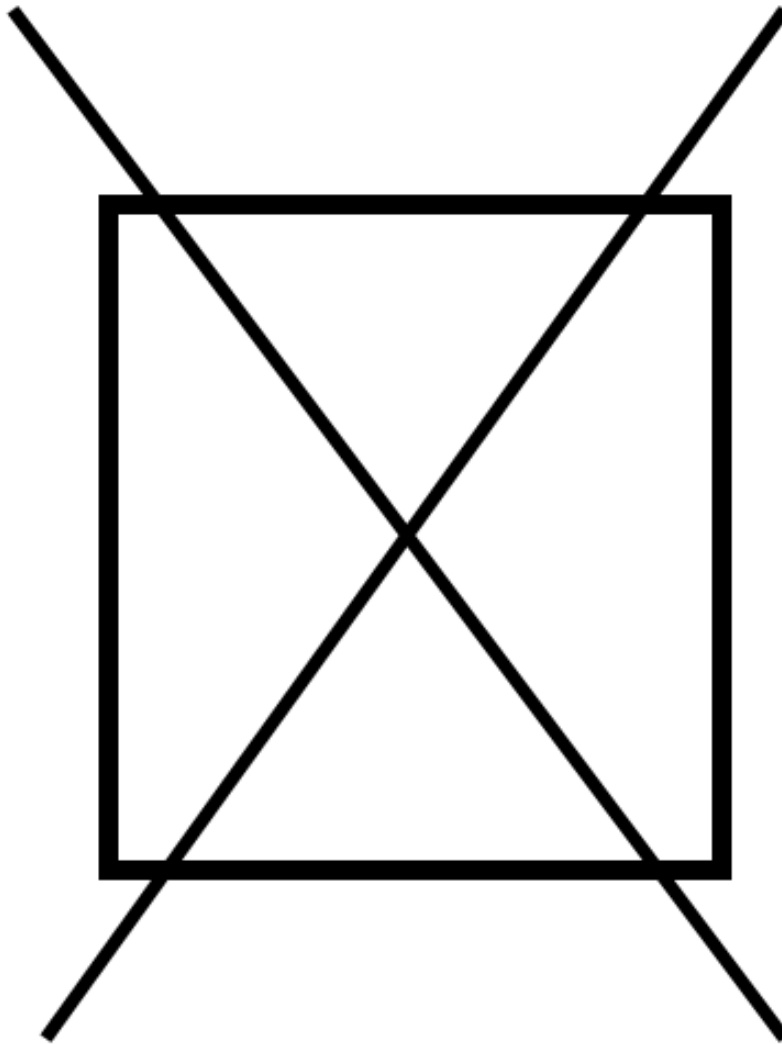






Item	Part No.	Name	Qty	Uom	NOTES
NI	006019-000	LED WIRE 10.75 - NLA	1	EA	

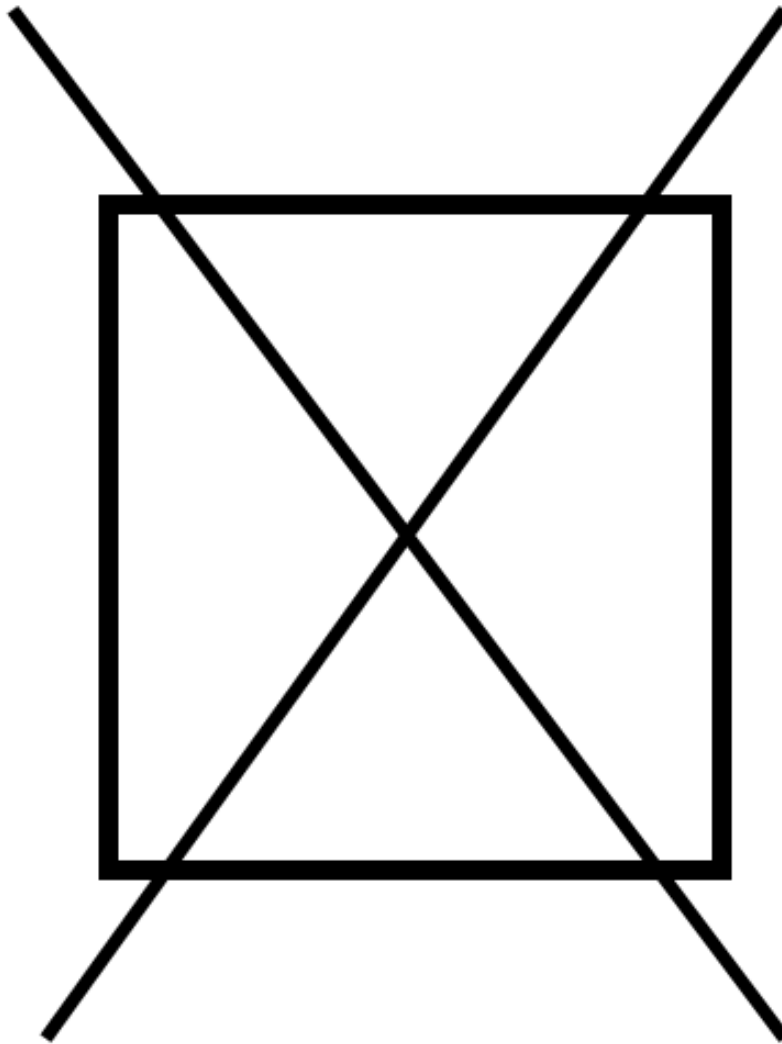
NON  
ILLUSTRATED PART





Item	Part No.	Name	Qty	Uom	NOTES
NI	006105-000	LED WIRE 11.50"	1	EA	

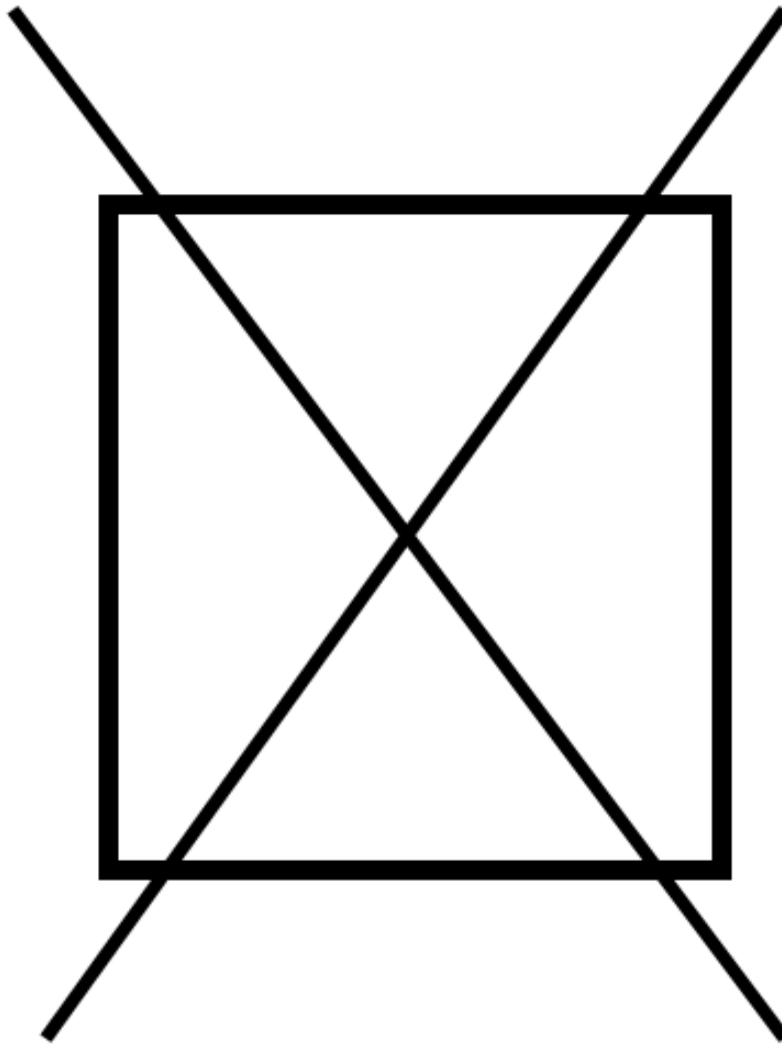
NON  
ILLUSTRATED PART





Item	Part No.	Name	Qty	Uom	NOTES
NI	006017-000	LED WIRE 4.875	1	EA	

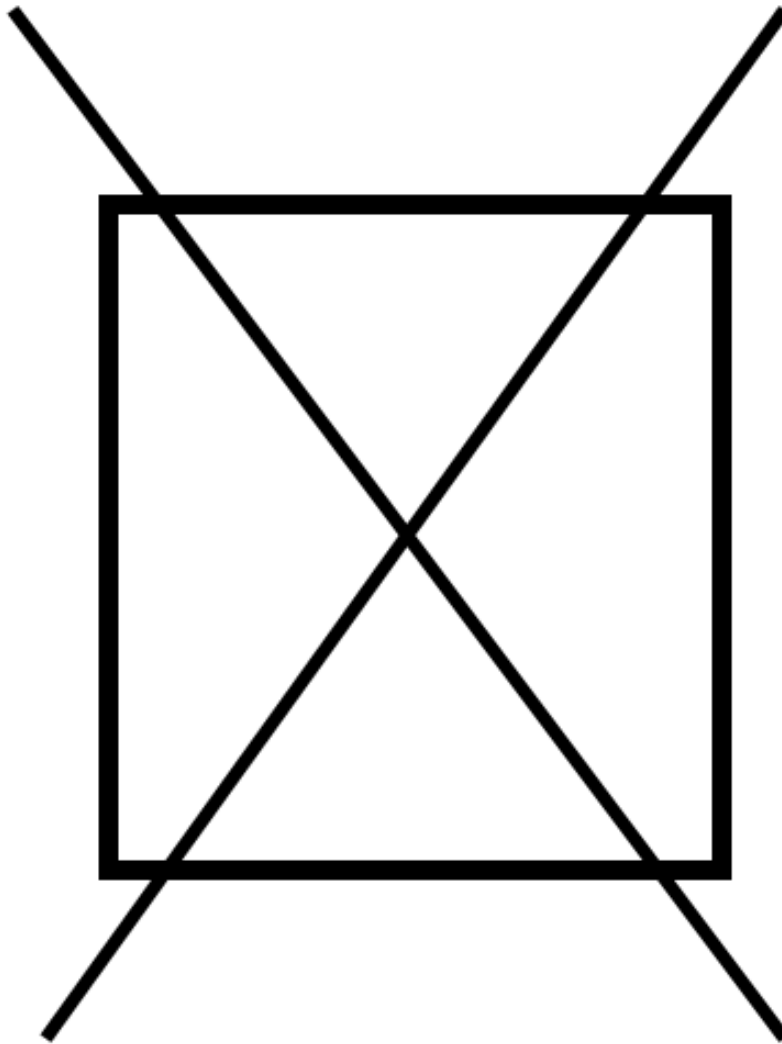
**NON  
ILLUSTRATED PART**





Item	Part No.	Name	Qty	Uom	NOTES
NI	G50013595	LP CONNECTION SERVICE KIT	1	EA	

NON  
ILLUSTRATED PART

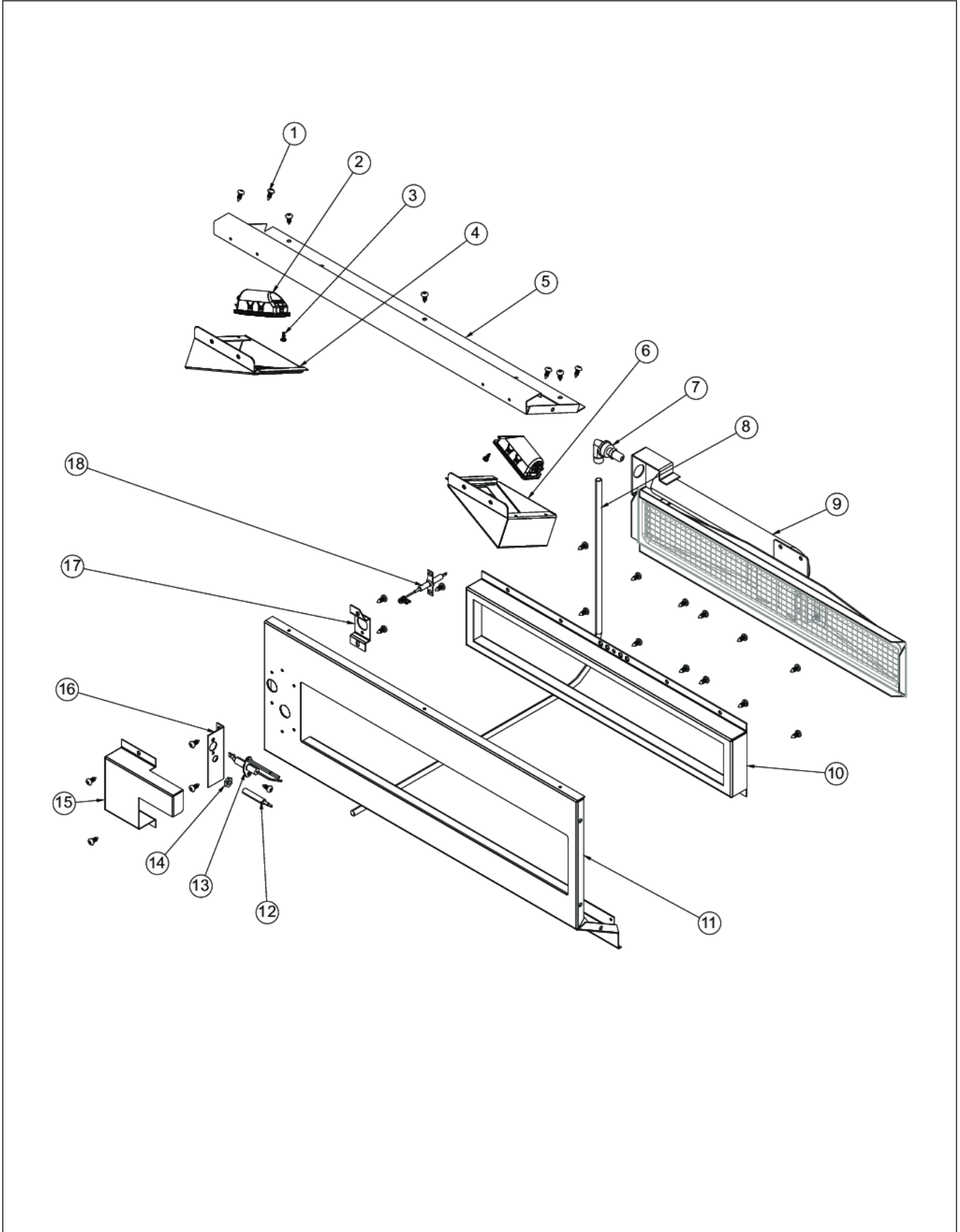






Item	Part No.	Name	Qty	Uom	NOTES
NI	026343-000	HARN, MAIN, 3002RE2	1	EA	

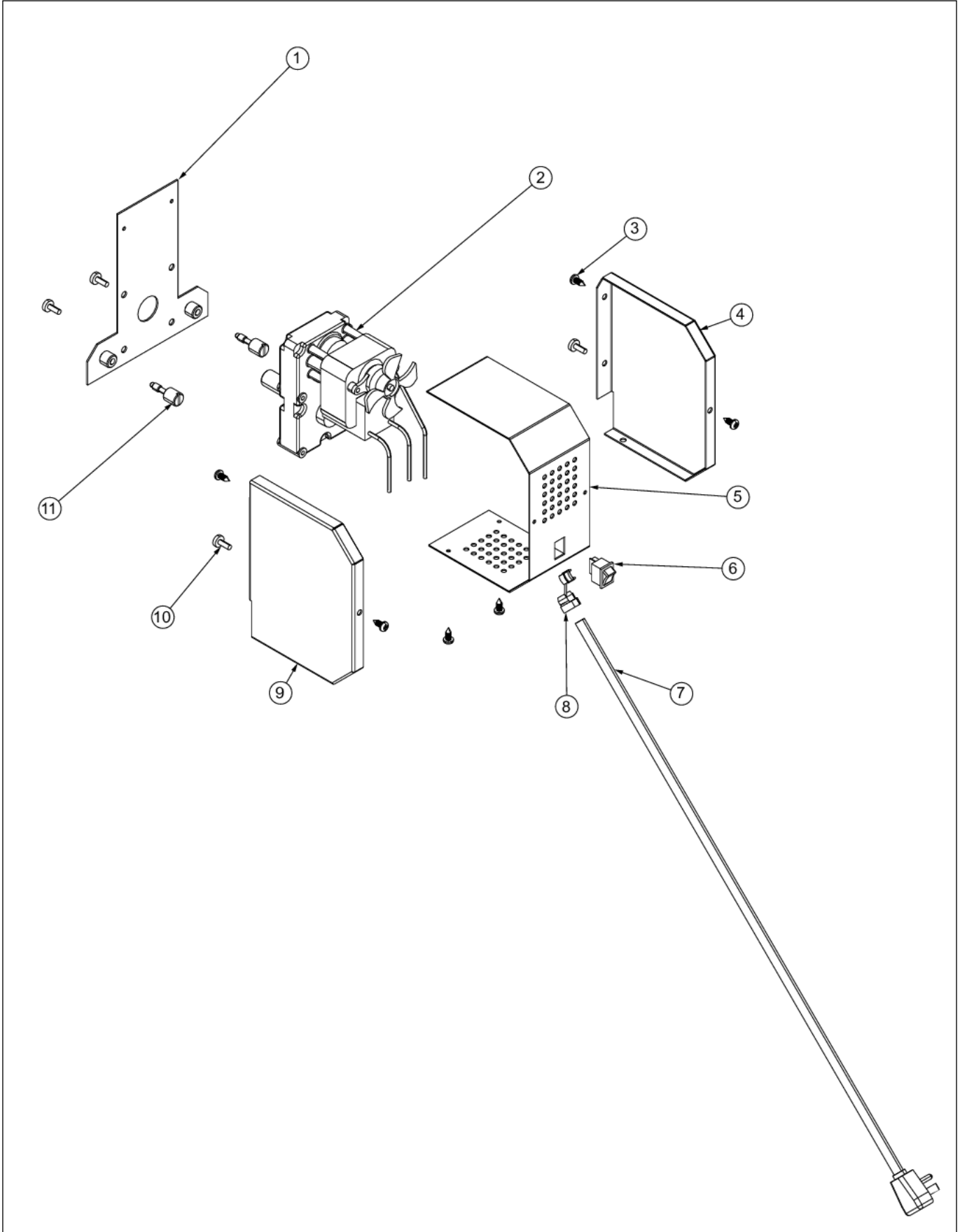
ROTISSERIE BURNER AREA





Item	Part No.	Name	Qty	Uom	NOTES
1	PD020055	' #10 X 1/2" PAN PHIL. TEK.*SS*	27	EA	
2	001310-000	120V HALOGEN LIGHT	2	EA	
3	020041-000	SCR, DR, PH, PNH, 410 SS, NPLT, 6-20 x 3/8	2	EA	
4	000602-000	GRILL LIGHT HOUSING LH	1	EA	
5	E9105393	30" FRONT HOUSING TOP	1	EA	
6	000603-000	GRILL LIGHT HOUSING RH	1	EA	
7	PB040124	90 DEG. ORIFICE FITTING	1	EA	
8	PB020096	48" 5/16 S.S. FLEX TUBING REPL F2003505	1	EA	
9	G3005289	I/R Burner Assy	1	EA	
10	B2005347	I/R Frame	1	EA	
11	G91015522	FRONT HOUSING ASSY (VGIQ3002RT)	1	EA	
12	PB010162	THERMOCOUPLE - BBQ GRILL W/ ROTIS	1	EA	
13	PB040160	WOK IGNITER	1	EA	
14	PD030048	THERMOCOUPLE NUT M08- VGBQ-8743300007	1	EA	
15	B20015402	I/R IGNITOR COVER LH	1	EA	
16	B20015403	IR IGNITOR BRACKET	1	EA	
17	B20015401	FLEX IGNITER STAND OFF	1	EA	Not available online / Call for pricing and availability
18	PB040280	FLEXIBLE ROTISSERIE IGNITOR	1	EA	

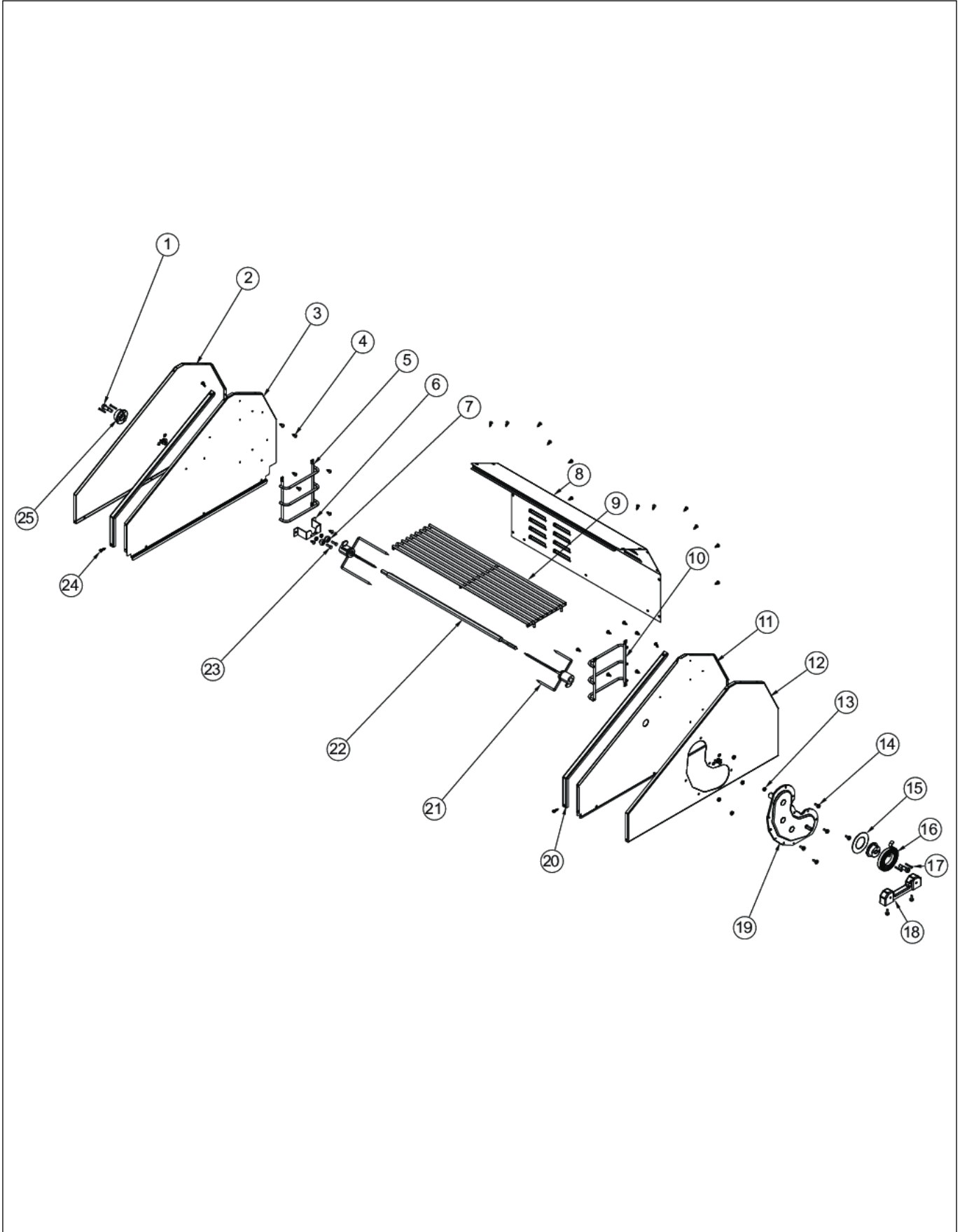
ROTISSERIE MOTOR ASSEMBLY





Item	Part No.	Name	Qty	Uom	NOTES
1	002081-000	ROT MOTOR MOUNTING PLATE ASSY	1	EA	
2	PE070184	ROTISSERIE MOTOR	1	EA	
3	PD020055	' #10 X 1/2" PAN PHIL. TEK.*SS*	6	EA	
4	B2005285	PHASE II ROTIS BOX FRONT	1	EA	
5	B2005286	PHASE II ROTIS COVER	1	EA	
6	PE050051	ROTIS SWITCH	1	EA	
7	PE070189	ELECTRICAL SUPPLY CORD - BBQ GRILL	1	EA	
8	PD040044	SNAP THRU BUSHING 1/4"DIA CORD	1	EA	
9	B2005284	PHASE II ROTIS BOX FRONT	1	EA	
10	PD020056	' #10-24 X 1/2" PH.TR. M.S. *SS*	4	EA	
11	PD010090	ROTIS FASTENER KNOB	2	EA	
NI	G3205282	ROTIS MOTOR ASSEMBLY (PHASE 2)	1	EA	
Not Shown	NOTE	(INCLUDES ITEMS 1 THRU 11)		EA	

UPPER GRILLE AREA



Item	Part No.	Name	Qty	Uom	NOTES
1	034607-000	FASTENER, BOLT, 5/16 - 1-1/2"	2	EA	
2	G5005257	O/S Windshield Assy - LH	1	EA	
3	B20015419	INSIDE WINDSHIELD LH	1	EA	Not available online / Call for pricing and availability
4	PD020055	' #10 X 1/2" PAN PHIL. TEK.*SS*	26	EA	
5	PB060113	WARMING RACK SUPPORT LH	1	EA	
6	B2005278	ROTISSERIE ROLLER BRACKET (PHASE 2)	1	EA	
7	PC020025	DRIP TRAY WHEEL	2	EA	
8	003652-000	30" GRILL REAR COVER	1	EA	
9	PB060057	WARMING RACK 30	1	EA	
10	PB060112	WARMING RACK SUPPORT RH	1	EA	
11	B20015418	INSIDE WINDSHIELD RH	1	EA	Not available online / Call for pricing and availability
12	G5005256	O/S Windshield Assy - RH	1	EA	Not available online / Call for pricing and availability
13	PD030044	10-24 KEPS NUT *SS*	7	EA	
14	PD020056	' #10-24 X 1/2" PH.TR. M.S. *SS*	7	EA	
15	007818-000	RETAINER, CANOPY SPRING	1	EA	
16	007206-000	CANOPY, SPRING, ASSIST-LIGHT	1	EA	
17	006779-000	#6-32 x 1.0 SS FLAT HD SCREW	4	EA	
18	PB060055	Rotis. Mount Casting	1	EA	
19	PC070024	ROTIS. GEAR BOX ASSY	1	EA	
20	B20015574	GRILL WINDSHIELD TRIM	2	EA	
21	032881-000	FORK, RTSR	2	EA	
22	PB060054	ROTIS SPIT ROD 30"	1	EA	
23	PD020082	10 X 24 COUNTERSUNK S.S. SCREW	2	EA	
24	020037-000	SCR, DR, FCSKHP, 410 SS, NPLT, 8-18 x 3/4	4	EA	
25	005942-000	SPRING INDEX	2	EA	



Appendix A:Pages Index

30 & 41 WIRE ASSEMBLY ..... 1  
BURNER BOX AREA ..... 2  
BURNER GRATE AREA ..... 3  
CANOPY AREA ..... 4  
CONTROL PANEL ..... 5  
DRIP TRAY ..... 6  
HARNESS, WIRE, ROTISSERIE ..... 7  
IGNITOR WIRE 34 ..... 8  
LED WIRE 10.75 ..... 9  
LED WIRE 11.50 ..... 10  
LED WIRE 4.875 ..... 11  
LP CONNECTION SERVICE KIT ..... 12  
MAIN HARNESS ..... 13  
ROTISSERIE BURNER AREA ..... 14  
ROTISSERIE MOTOR ASSEMBLY ..... 15  
UPPER GRILLE AREA ..... 16





## Appendix B:Parts Index

000268-000	4	020037-000	16
000602-000	14	020041-000	5, 14
000603-000	14	023000-000	3
001310-000	14	023653-000	5
002081-000	15	024157-000	3
002353-000	2	025323-000	7
002355-000	2	025542-000	2
002369-000	3	025543-000	2
002370-000	3	025544-000	2
002671-000	2	025545-000	2
003561-000	5	025700-000	2
003563-000	5	025701-000	3
003630-000	4	025702-000	5
003632-000	4	025799-000	5
003633-000	4	025800-000	5
003635-000	4	025801-000	2
003652-000	16	025802-000	4
003856-000	2	025805-000	4
004089-000	2	025806-000	5
004706-000	3	025808-000	5
005942-000	16	026343-000	13
005999-000	5	026724-000	4
006010-000	2	026744-000	5
006011-000	2	032881-000	16
006017-000	11	034607-000	16
006019-000	9	042720-000	4
006021-000	5	046328-000	5
006105-000	10	046329-000	5
006384-000	1	050172-000	4, 5
006389-000	5	A2000210	2
006779-000	16	B20015401	14
007206-000	16	B20015402	14
007215-000	4	B20015403	14
007379-000	4	B20015418	16
007657-000	5	B20015419	16
007818-000	16	B20015510	2
008026-000	3, 5	B20015513	2
008091-000	3	B20015516	2
014952-000	5	B20015568	2
015009-000	5	B20015574	16
		B2005203	2



B2005204	2	PB060057	16
B2005278	16	PB060112	16
B2005284	15	PB060113	16
B2005285	15	PC020025	6, 16
B2005286	15	PC070024	16
B2005312	6	PD010012	5
B2005316	6	PD010090	15
B2005317	6	PD020055	2, 4, 5, 6, 14, 15, 16
B2005347	14	PD020056	2, 4, 5, 6, 15, 16
B2006305	2	PD020069	4
B30015552	2	PD020073	5
B3005315	6	PD020082	6, 16
E9105393	14	PD020166	2
G3004936	5	PD030006	5
G3004937	5	PD030044	6, 6, 16
G3005214	6	PD030048	14
G3005215	6	PD030050	2, 5
G3005223	5	PD040004	6
G3005289	14	PD040010	4
G3205282	15	PD040044	2, 15
G3205308	6	PE030041	4
G40016229	8	PE050019	5
G50013595	12	PE050051	15
G5005256	16	PE050063	5
G5005257	16	PE070184	15
G91015522	14	PE070189	15
J2101749	6	PE070791	2
L1005398	2	PE070855	2
L1005399	2		
PA020047	2		
PB010162	14		
PB010163	5		
PB020096	14		
PB020114	3		
PB040124	14		
PB040160	14		
PB040228	5		
PB040263	5		
PB040280	14		
PB060054	16		
PB060055	16		