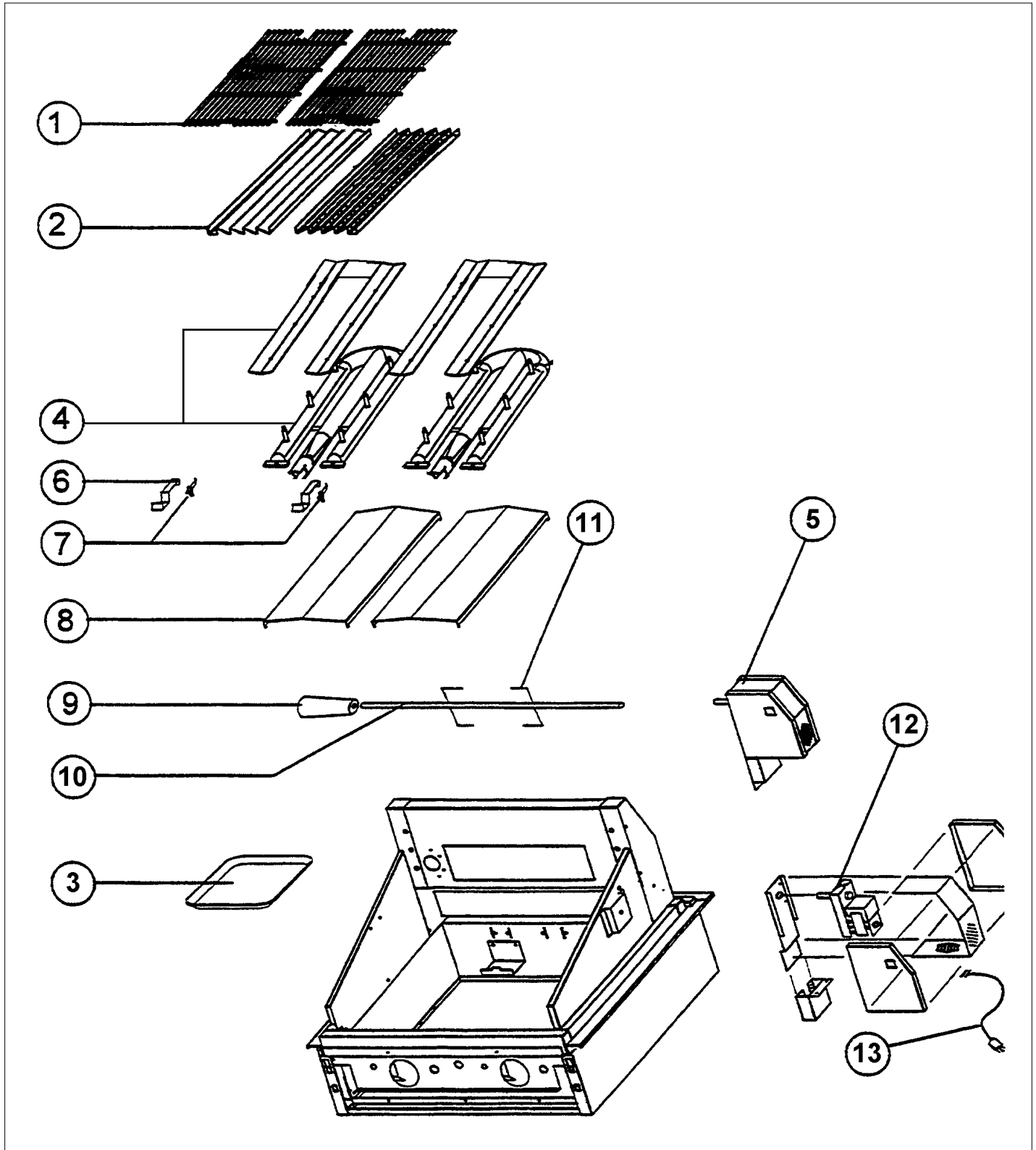


**VGBQ3002R**

BURNER-GRATE ASSY .....	1
CONTROL-VALVE .....	2
GRILL SUBASSY .....	3
Appendix A:Pages Index .....	A
Appendix B:Parts Index .....	B



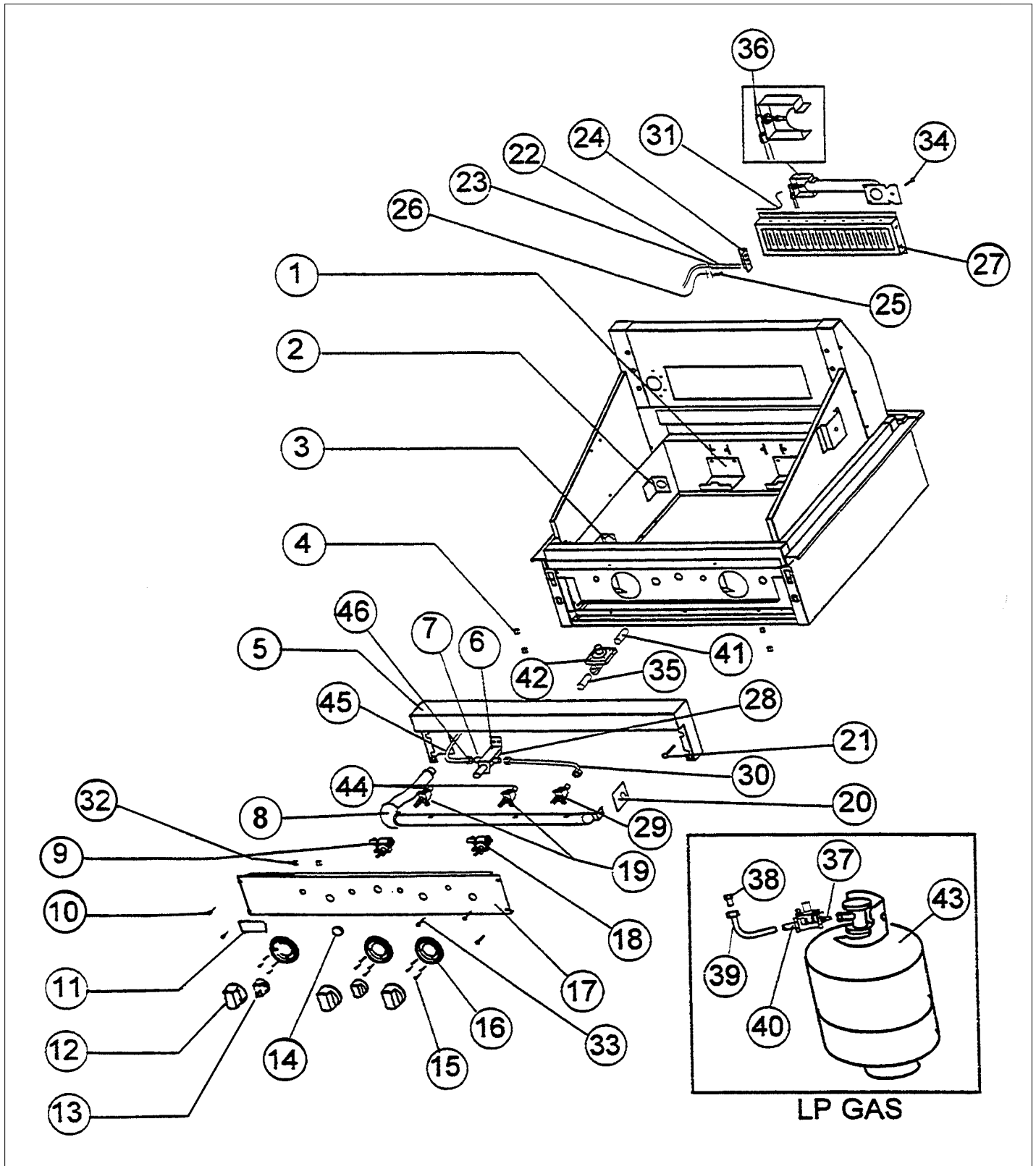
BURNER-GRADE ASSY





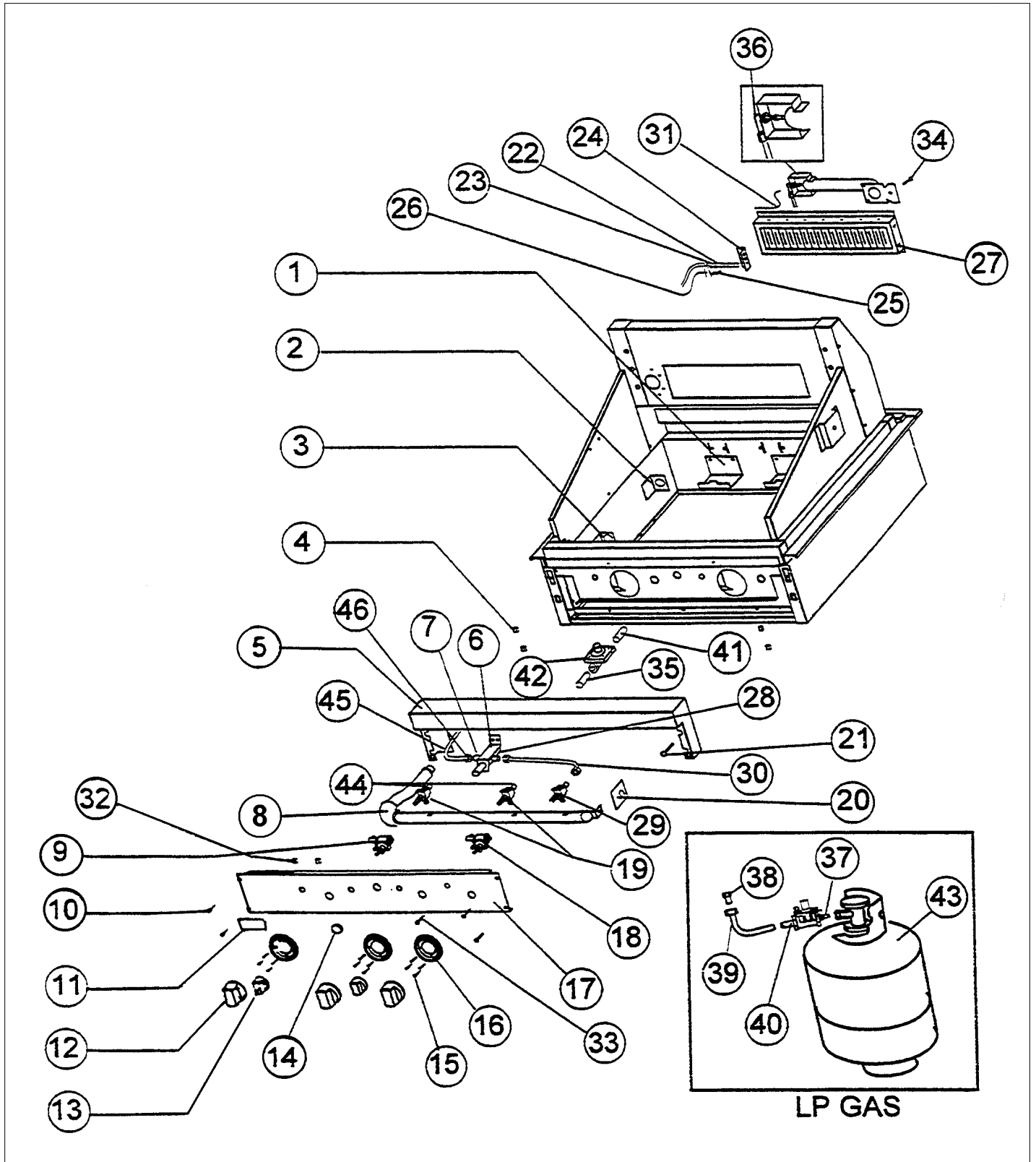
Item	Part No.	Name	Qty	Uom	NOTES
1	PB060049	COOKING GRIDS REPL PB060028	1	EA	
2	007905-000	FLAVOR GRID (REPLACES B2007409)	1	EA	
3	E9107933	BROILER PAN	1	EA	
4	G5004548	SS BURNER KIT REP PA080035	1	EA	
5	G3203346	ROTIS ASSY "S"	1	EA	
6	B2003273	IGNITOR COVERS (VGBQ)	1	EA	
7	PB040122	IGNITOR FOR (BBQ GRILL) (1647-89)	1	EA	
8	B2003270	BURNER DRIP SHIELD (VGBQ)	1	EA	
9	PE030039	SPIT HANDLE (ROT. BBQ GRILL)	1	EA	
10	PB060033	SPIT ROD ROTIS 30" BBQ GRILL	1	EA	NO LONGER AVAILABLE
11	032881-000	FORK, RTSR	1	EA	
12	PE070184	ROTISSERIE MOTOR	1	EA	
13	PE070189	ELECTRICAL SUPPLY CORD - BBQ GRILL	1	EA	
NI	000645-000	ENCLOSURE FUEL CATCH - LH	1	EA	

CONTROL-VALVE



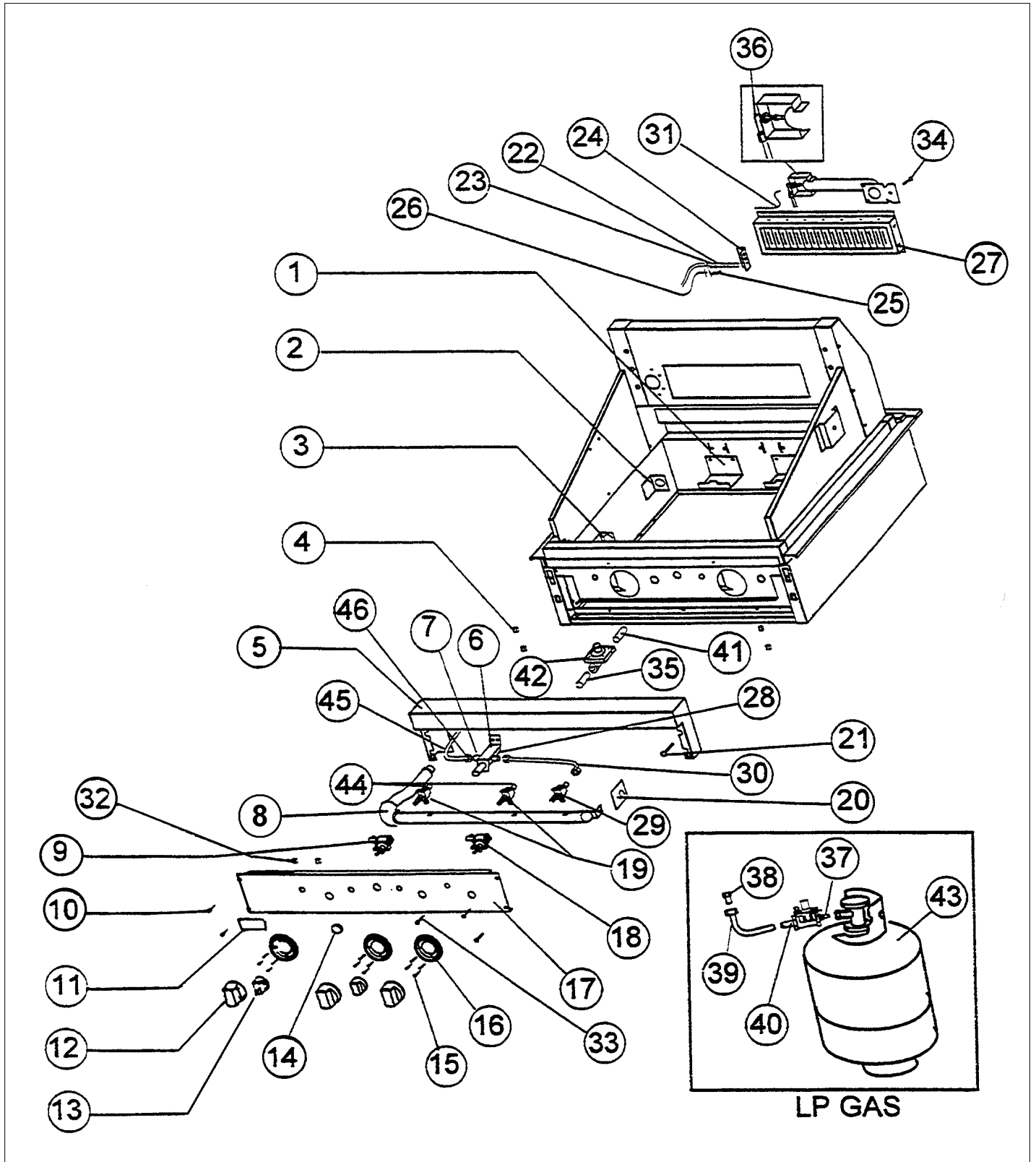


Item	Part No.	Name	Qty	Uom	NOTES
1	B2003272	BURNER BRKT (VGBQ)	1	EA	
2	B2003545	MANIFOLD MOUNTING BRKT (REAR)	1	EA	
3	B2003507	MANIFOLD MOUNTING BRKT (FRONT)	1	EA	
4	PD030050	10-24 CAGE NUT *SS*	1	EA	
5	G3003205	LANDING LEDGE ASSY - 30" BBQ GRILL	1	EA	NO LONGER AVAILABLE
6	B2003261	VALVE BRKT - BBQ GRILL W/ ROTIS.	1	EA	
7	PB010158	SAFETY VALVE -(IR) (BBQ GRILL)	1	EA	
8	PB040130	90 DEG. (1/2") FEMALE ELBOW	1	EA	
8	PB040052	PIPE NIPPLE - 22" (VGBQ)	1	EA	
8	PA050054	MANIFOLD 30" BBQ GRILL	1	EA	
9	PA020023	DUAL OUTPUT IGNITION SWITCH-(VGBQ) 1691-04	1	EA	
10	PD020056	' #10-24 X 1/2" PH.TR. M.S. *SS*	1	EA	
11	PE010142	3" VIKING LOGO BLACK/CHROME	1	EA	
Not Shown	PE010143	3" LOGO BK/BR	1	EA	
12	PA010039	TOP GRILL KNOB*BK* (VGRC) (N/STYLE	1	EA	
13	PB010156	IGNITION SWITCH KNOB (BBQ GRILL) 1390-16	1	EA	
14	PB010159	SAFETY VALVE KNOB	1	EA	
15	PD020067	' #6 X 3/8" PAN PHIL. TEK *SS*	1	EA	
16	050172-000	BEZEL, KNOB	1	EA	
Not Shown	PB010172	BEZEL NEW BR REPL PB010107	1	EA	
17	B9203288	CTRL PAN (VGBQ3002R) *SLK SCR*	1	EA	
Not Shown	B9203220	CTRL PAN (VGBQ3002) *SLK SCR*	1	EA	NO LONGER AVAILABLE
18	PA020022	SINGLE OUTPUT IGNITION SWITCH-(VGBQ (1691.06)	1	EA	
19	PA010053	GRILL VALVE (BBQ GRILL)(NAT.)	1	EA	





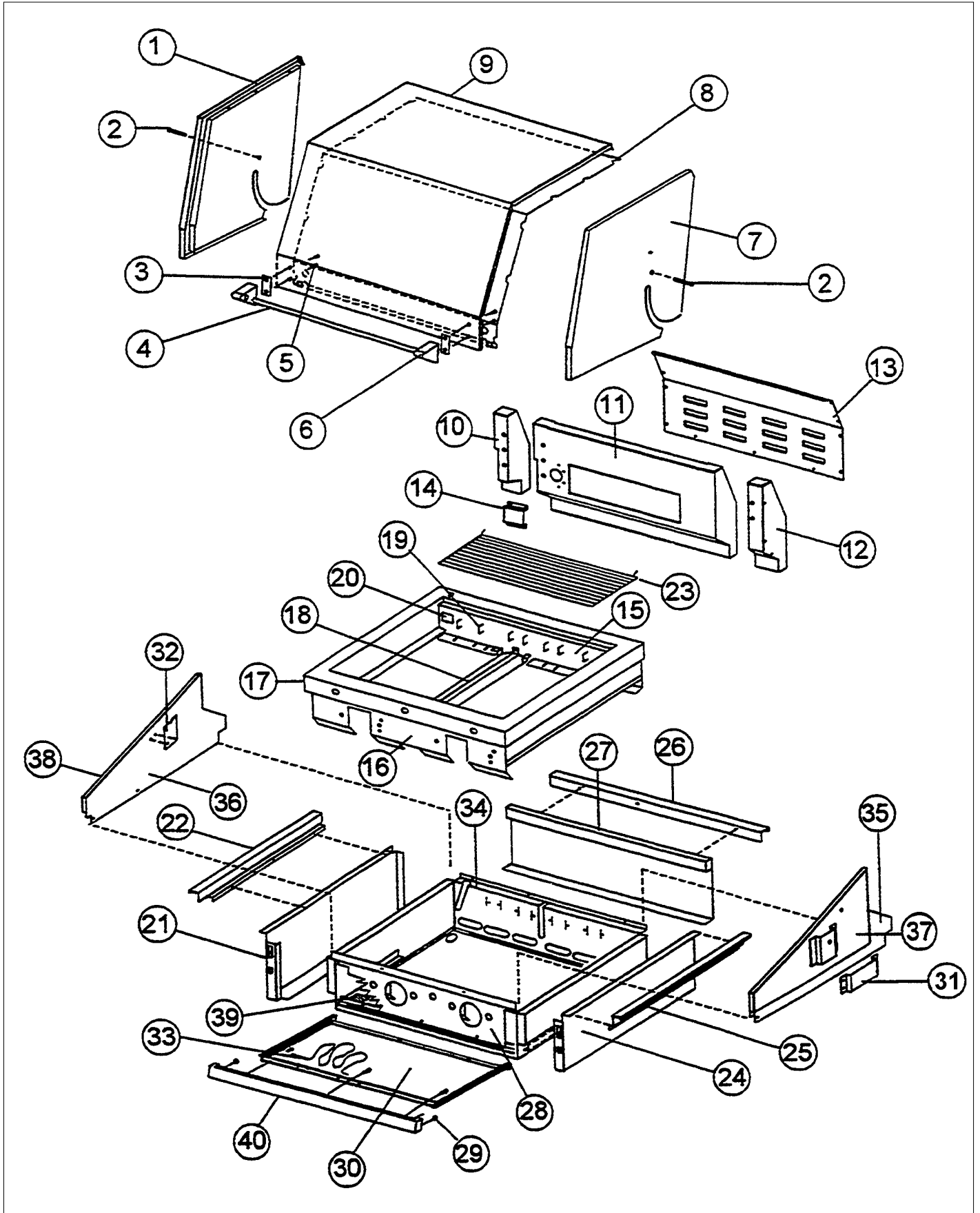
Item	Part No.	Name	Qty	Uom	NOTES
Not Shown	PA010054	GRILL VALVE (BBQ GRILL)(LP)	1	EA	NO LONGER AVAILABLE
20	B1001138	MANIFOLD BRKT *SS* (VGBQ)	1	EA	
21	PD020056	' #10-24 X 1/2" PH.TR. M.S. *SS*	1	EA	
22	PB010162	THERMOCOUPLE - BBQ GRILL W/ ROTIS	1	EA	
23	PD030048	THERMOCOUPLE NUT M08- VGBQ-8743300007	1	EA	
24	B2003218	CANOPY HEAT SHIELD BBQ GRILL 30"	1	EA	Not available online / Call for pricing and availability
25	PB040122	IGNITOR FOR (BBQ GRILL) (1647-89)	1	EA	
26	G4004963	WIRING IR BURNER BBQ60	1	EA	
27	G3103323	IR ASSY - 30" BBQ GRILL	1	EA	
28	PD030049	SAFTY VALVE NUT M12-VGBQ- 8743300010	1	EA	
29	PA010066	ROTIS VALVE (NAT.) (VGBQ)	1	EA	
Not Shown	PA010067	ROTIS VALVE (LP) (VGBQ)	1	EA	
30	PB020095	39" FLEX TUBING (VGBQ) T5- 39	1	EA	
31	G4004963	WIRING IR BURNER BBQ60	1	EA	
32	PD030006	CAPPED WASHER PAL NUT	1	EA	
33	PD020062	#8-32 X 3/8 PHMS TYPE 1	1	EA	
34	PD040125	SUB TO PD020004 - @10X3/8 PH HD	1	EA	NO LONGER AVAILABLE, Not available online / Call for pricing and availability
35	PB040046	1/2" CLOSE NIPPLE	1	EA	
36	PB040144	ORIFICE BURNER 90D 15"IR #52 HD RED	1	EA	
Not Shown	PB040145	LP IR ELBOW VGBQ #62 HD BLACK	1	EA	
37	PB040147	5LPA-10C PLUG (VGBQ LP)	1	EA	
38	PB040146	1/2" X 3/8" FLARE ADAPTER (VGBQ)	1	EA	
39	PB020227	HIGH PRESSURE LP HOSE	1	EA	
40	PA070007	LP TANK REGULATOR (VGBQ)	1	EA	





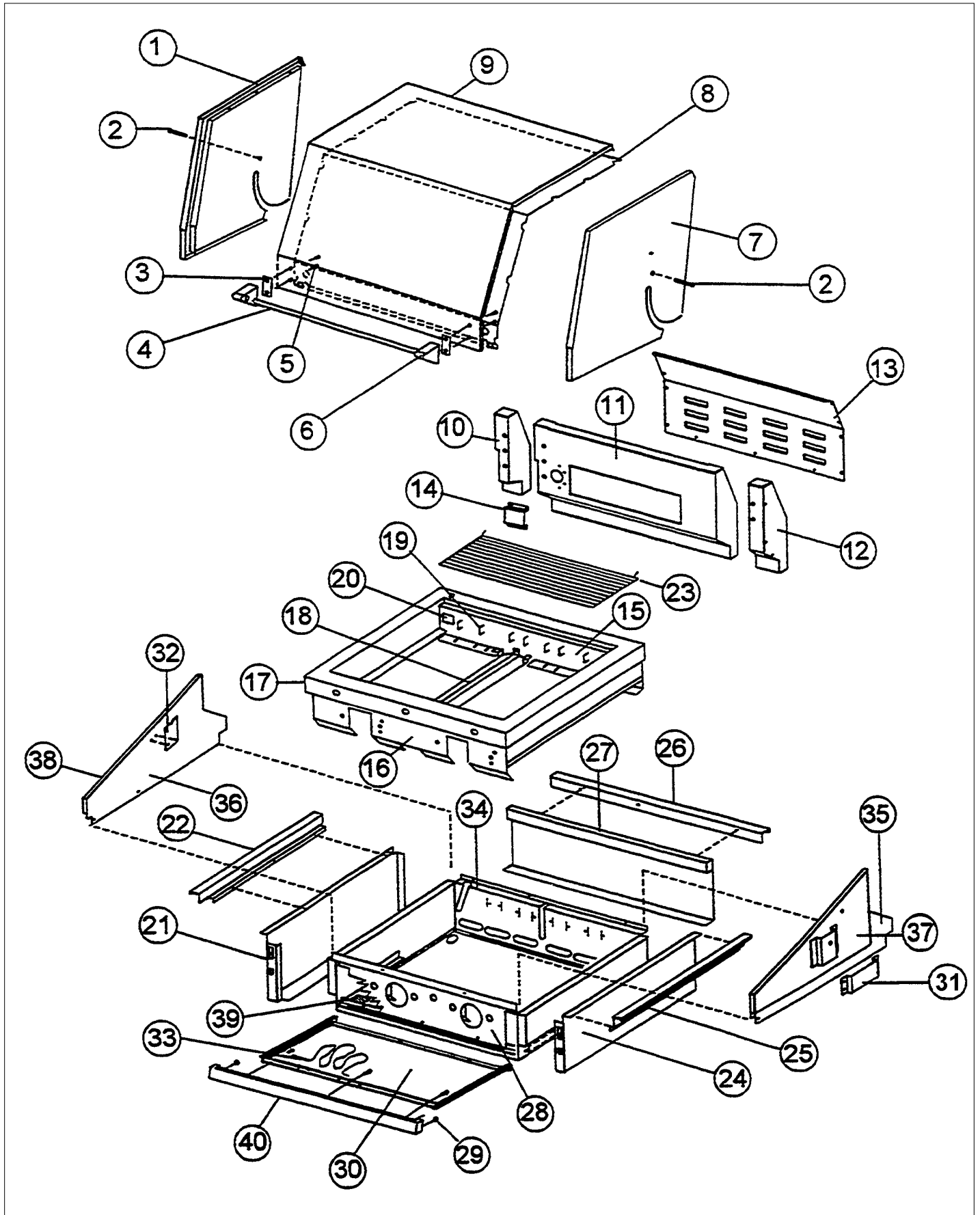
Item	Part No.	Name	Qty	Uom	NOTES
41	PA050053	UNIVERSAL MANIFOLD*BU*	1	EA	
42	PA070006	PRESSURE REG.(NAT.)-4"-FOR BBQ GRIL - NLA	1	EA	
Not Shown	PA070005	PRESSURE REG.(LP) RV47L- 77-10.0	1	EA	
43	N/A	L.P. TANK	1	EA	
44	PB040078	ORIFICE HOOD-#44 (NAT.)	1	EA	
Not Shown	PB040068	ORIFICE HOOD-#55 (LP)	1	EA	
45	PB020096	48" 5/16 S.S. FLEX TUBING REPL F2003505	1	EA	
46	PB040129	FTG.-ELBOW, 1/8NPT-5/16"C.C.	1	EA	

GRILL SUBASSY



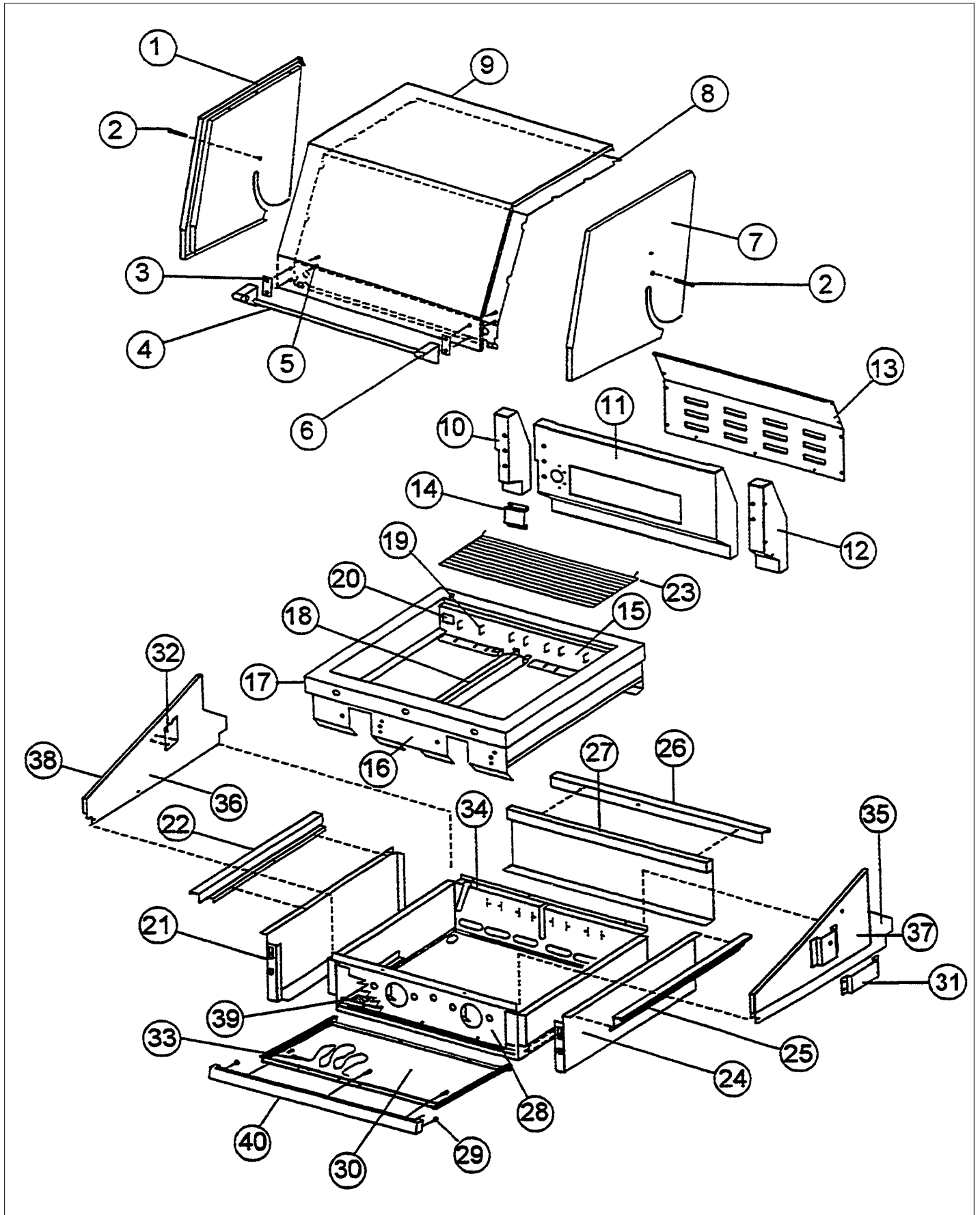


Item	Part No.	Name	Qty	Uom	NOTES
1	H3003763	CANOPY END SUBASSY LH BBQ	1	EA	NO LONGER AVAILABLE
2	PD010034	3/8" X 1" SHOULDER BOLT "SS"	1	EA	
3	PD040010	DOOR HANDLE SPACER	1	EA	
4	PE030041	DOOR HANDLE (CANOPY) *SS* (VGBQ30)	1	EA	
Not Shown	PE030045PVD	CANOPY HANDLE (30") PVD	1	EA	NO LONGER AVAILABLE, Not available online / Call for pricing and availability
5	PD020059	1/4-20 X 1/2 CAP SCREW SS	1	EA	
6	000268-000	HANDLE ENDCAP	1	EA	
Not Shown	PE030001PVD	END CAP DOOR HANDLE *BR	1	EA	
7	H3003762	CANOPY END SUBASSY RH BBQ	1	EA	NO LONGER AVAILABLE
8	B2003218	CANOPY HEAT SHIELD BBQ GRILL 30"	1	EA	Not available online / Call for pricing and availability
9	B2003217	CANOPY BODY BBQ GRILL 30"	1	EA	NO LONGER AVAILABLE
Not Shown	B9003217FG	CANOPY BODY *FG*	1	EA	NO LONGER AVAILABLE, Not available online / Call for pricing and availability
Not Shown	B9003217VB	CANOPY BODY *VB*	1	EA	NO LONGER AVAILABLE, Not available online / Call for pricing and availability
10	B3003321	IR SUPT END LH - BBQ GRILL	1	EA	
11	G9103274	IR HOUSING ASSY - 30" BBQ GRILL	1	EA	
Not Shown	E9103213	IR HOUSING(NO ROTIS.)30" BBQ GRILL	1	EA	NO LONGER AVAILABLE
12	B3003320	IR SUPT END RH - BBQ GRILL	1	EA	
13	B2003214	REAR COVER BBQ GRILL 30"	1	EA	NO LONGER AVAILABLE
14	B2003319	THERMOCOUPLE / IGN. COVER-BBQ GRILL	1	EA	





Item	Part No.	Name	Qty	Uom	NOTES
15	B2003211	REAR SHIELD BBQ GRILL 30"	1	EA	NO LONGER AVAILABLE, Not available online / Call for pricing and availability
16	B2003210	FRONT SHIELD BBQ GRILL 30"	1	EA	
17	B2004032	HOOD FRONT (VWH6078)	1	EA	NO LONGER AVAILABLE, Not available online / Call for pricing and availability
18	B2003791	CENTER SHIELD (VGBQ)	1	EA	
19	B2001147	GRATE SUPT ANGLE (VGBQ) *SS*	1	EA	
20	NOT REPLACEABLE	REGULATOR LABEL	1	EA	
21	B2003242	SIDE PANEL LH BBQ GRILL 48"	1	EA	NO LONGER AVAILABLE
22	B2003244	SIDE TRIM CAB. LH BBQ GRILL 48"	1	EA	NO LONGER AVAILABLE
23	007901-000	WARMING RACK	1	EA	
24	B2003241	SIDE PANEL RH BBQ GRILL 48"	1	EA	Not available online / Call for pricing and availability
25	B2003243	SIDE TRIM CAB. RH BBQ GRILL 48"	1	EA	NO LONGER AVAILABLE
26	B3003204	SUB TO B2003204 - REAR PANEL - BBQ GRILL	1	EA	NO LONGER AVAILABLE, Not available online / Call for pricing and availability
27	B2003215	REAR TRIM BBQ GRILL 30"	1	EA	NO LONGER AVAILABLE, Not available online / Call for pricing and availability
28	B2003203	FRONT SUPT BBQ GRILL 30"	1	EA	NO LONGER AVAILABLE
29	PD040004	GROMMET BUMPER	1	EA	
30	B3003219	DRIP TRAY BBQ GRILL 30"	1	EA	
31	B2003306	ROTIS MOUNTING BRKT-BBQ	1	EA	
32	B2003307	ROTIS SADDLE - BBQ GRILL	1	EA	
33	G5004200	LIGHTING WAND ASSY (VGBQ)	1	EA	







Item	Part No.	Name	Qty	Uom	NOTES
34	B2003202	REAR SUPT BBQ GRILL 30"	1	EA	NO LONGER AVAILABLE, Not available online / Call for pricing and availability
35	B2004235	INSIDE WIND SHIELD R.H.	1	EA	NO LONGER AVAILABLE
36	B2004236	INSIDE WIND SHIELD L.H.	1	EA	NO LONGER AVAILABLE
37	G3003302	O/S WINDSHEILD RH-BBQ GRILL	1	EA	
38	G3003303	O/S WINDSHIELD LH-BBQ GRILL	1	EA	Not available online / Call for pricing and availability
39	NOT REPLACEABLE	SERIAL RATING PLATE LOCATION	1	EA	
40	B3003221	DRIP TRAY HANDLE - BBQ GRILL	1	EA	



Appendix A:Pages Index

BURNER-GRATE ASSY .....	1
CONTROL-VALVE .....	2
GRILL SUBASSY .....	3



Appendix B:Parts Index

B9203220	.....	2
B9203288	.....	2
E9103213	.....	3
E9107933	.....	1
G3003205	.....	2
G3003302	.....	3
G3003303	.....	3
G3103323	.....	2
G3203346	.....	1
G4004963	.....	2, 2
G5004200	.....	3
G5004548	.....	1
G9103274	.....	3
H3003762	.....	3
H3003763	.....	3
PA010039	.....	2
PA010053	.....	2
PA010054	.....	2
PA010066	.....	2
PA010067	.....	2
PA020022	.....	2
PA020023	.....	2
PA050053	.....	2
PA050054	.....	2
PA070005	.....	2
PA070006	.....	2
PA070007	.....	2
PB010156	.....	2
PB010158	.....	2
PB010159	.....	2
PB010162	.....	2
PB010172	.....	2
PB020095	.....	2
PB020096	.....	2
PB020227	.....	2
PB040046	.....	2
PB040052	.....	2
PB040068	.....	2
PB040078	.....	2
PB040122	.....	1, 2
PB040129	.....	2
000268-000	..... 3	
000645-000	..... 1	
007901-000	..... 3	
007905-000	..... 1	
032881-000	..... 1	
050172-000	..... 2	
B1001138	..... 2	
B2001147	..... 3	
B2003202	..... 3	
B2003203	..... 3	
B2003210	..... 3	
B2003211	..... 3	
B2003214	..... 3	
B2003215	..... 3	
B2003217	..... 3	
B2003218	..... 2, 3	
B2003241	..... 3	
B2003242	..... 3	
B2003243	..... 3	
B2003244	..... 3	
B2003261	..... 2	
B2003270	..... 1	
B2003272	..... 2	
B2003273	..... 1	
B2003306	..... 3	
B2003307	..... 3	
B2003319	..... 3	
B2003507	..... 2	
B2003545	..... 2	
B2003791	..... 3	
B2004032	..... 3	
B2004235	..... 3	
B2004236	..... 3	
B3003204	..... 3	
B3003219	..... 3	
B3003221	..... 3	
B3003320	..... 3	
B3003321	..... 3	
B9003217FG	..... 3	
B9003217VB	..... 3	



PB040130 ..... 2  
PB040144 ..... 2  
PB040145 ..... 2  
PB040146 ..... 2  
PB040147 ..... 2  
PB060033 ..... 1  
PB060049 ..... 1  
PD010034 ..... 3  
PD020056 ..... 2, 2  
PD020059 ..... 3  
PD020062 ..... 2  
PD020067 ..... 2  
PD030006 ..... 2  
PD030048 ..... 2  
PD030049 ..... 2  
PD030050 ..... 2  
PD040004 ..... 3  
PD040010 ..... 3  
PD040125 ..... 2  
PE010142 ..... 2  
PE010143 ..... 2  
PE030001PVD ..... 3  
PE030039 ..... 1  
PE030041 ..... 3  
PE030045PVD ..... 3  
PE070184 ..... 1  
PE070189 ..... 1