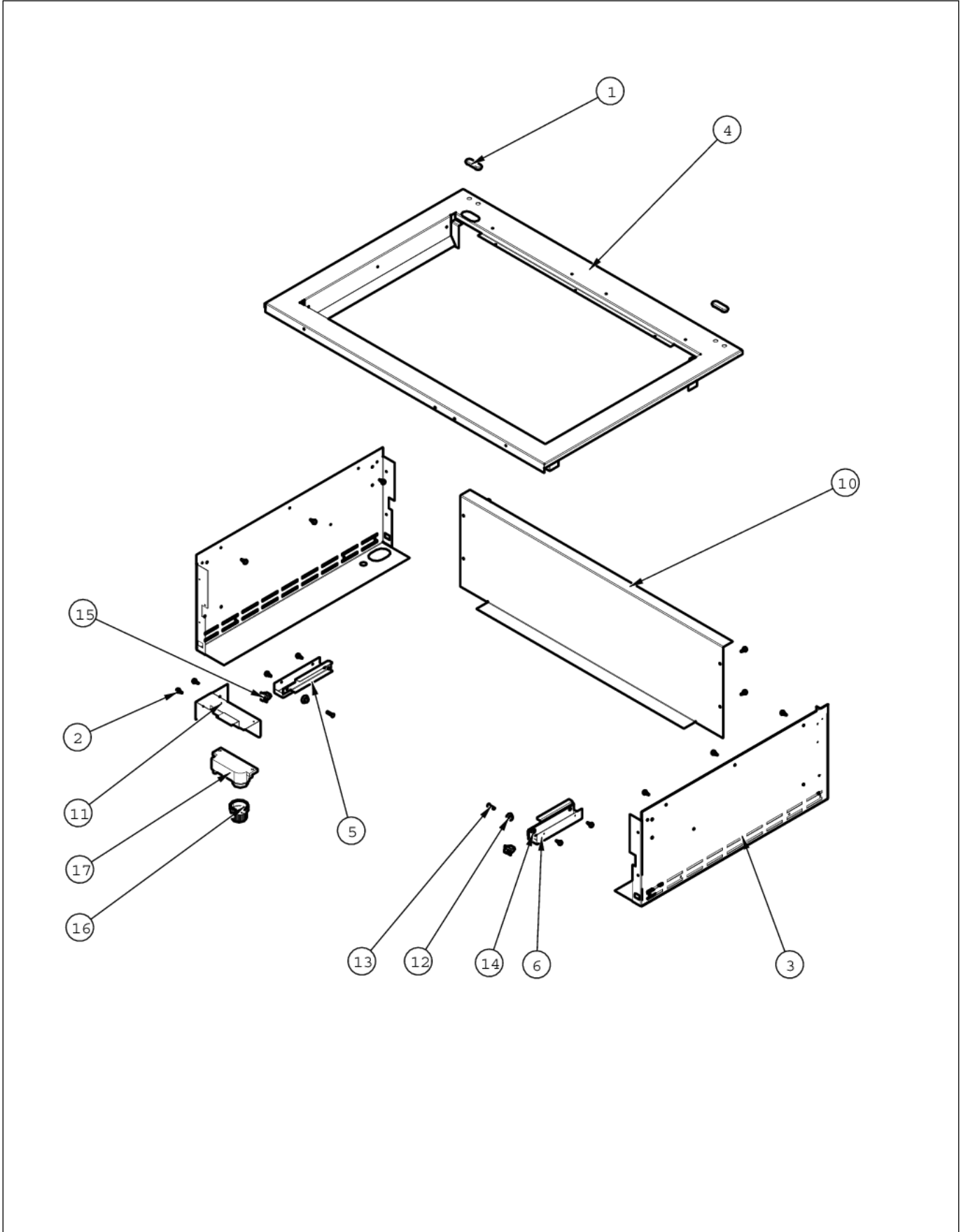


**VGBQ13603**

BASE .....	1
BURNER BOX .....	2
CANOPY AND UPPER .....	3
CONTROL PANEL .....	4
DRIP TRAY .....	5
WIRING .....	6
LP Gas Asm .....	7
Natural Gas Asm .....	8
Appendix A:Pages Index .....	A
Appendix B:Parts Index .....	B



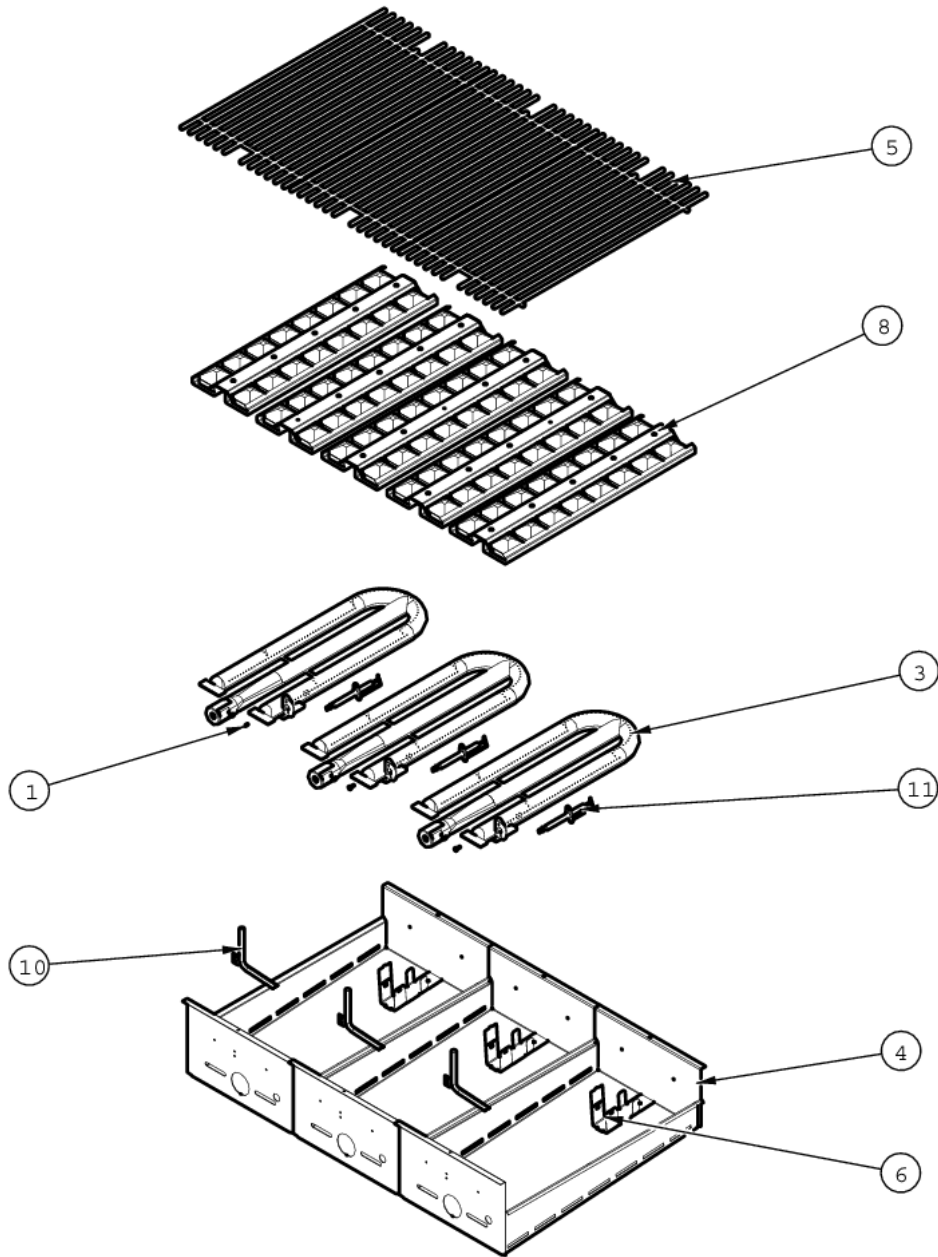
BASE





Item	Part No.	Name	Qty	Uom	NOTES
1	002671-000	RUBBER DOOR BUMPER	2	EA	
2	PD020055	' #10 X 1/2" PAN PHIL. TEK.*SS*	15	EA	
3	029459-000	PANEL, LWR SIDE	2	EA	
4	031195-000	FRAME, GRILL, TOP, 36"	1	EA	
5	031555-000	DRIP TRAY GUIDE, LH	1	EA	
6	031554-000	DRIP TRAY GUIDE, RH	1	EA	
10	031879-000	PANEL, REAR, BQ, 36"	1	EA	
11	033540-000	BRACKET, MTG SUPPORT, IGN ASM, 9V	1	EA	
12	PC020025	DRIP TRAY WHEEL	2	EA	
13	PD020082	10 X 24 COUNTERSUNK S.S. SCREW	2	EA	
14	PD030044	10-24 KEPS NUT *SS*	2	EA	
15	PD950012	STRIKE PANEL ACCESS	2	EA	
16	PM010049	SPARK MODULE BATTERY PHASE II	1	EA	
17	PA020036	SPARK MODULE	1	EA	

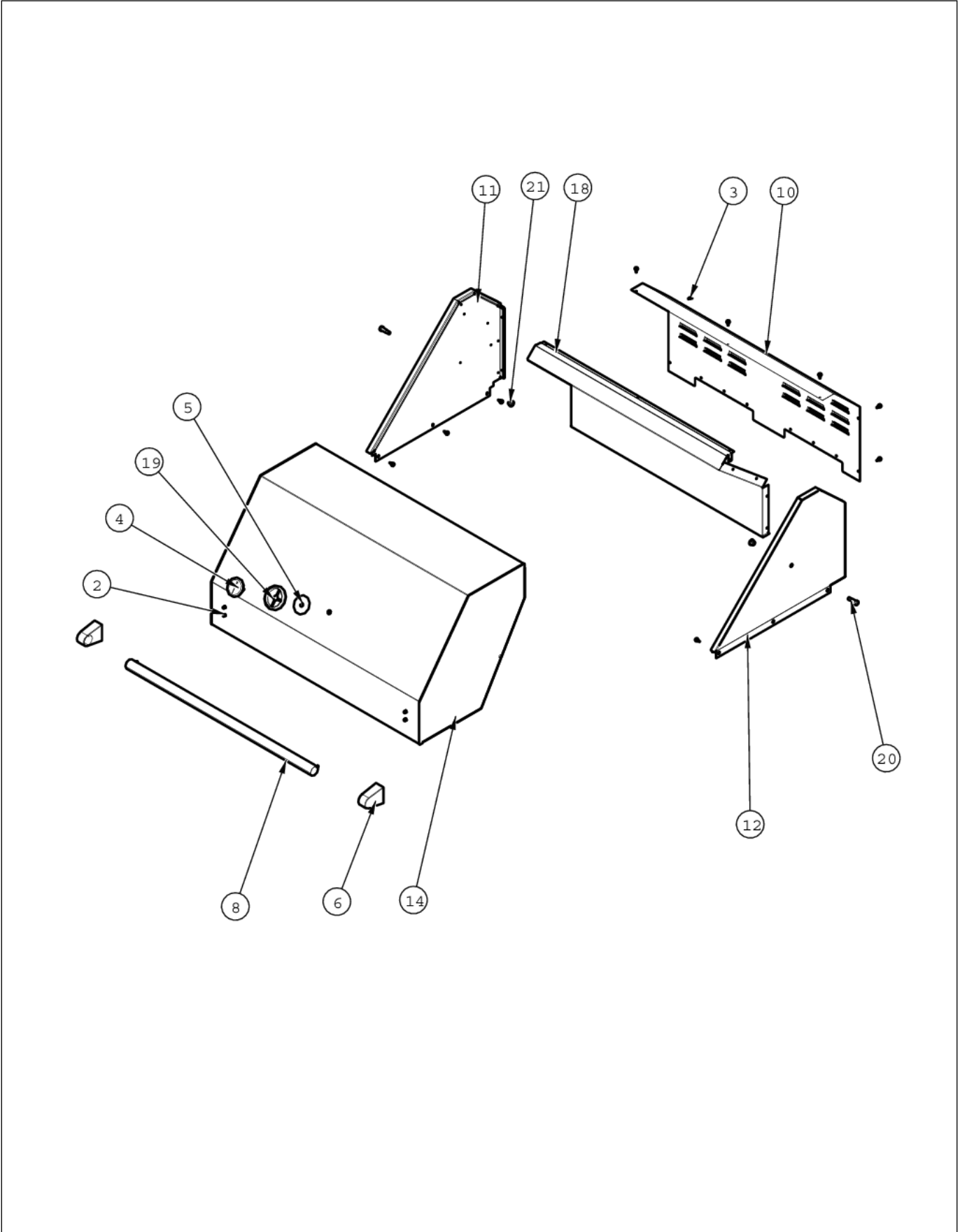
BURNER BOX





Item	Part No.	Name	Qty	Uom	NOTES
1	004706-000	MACHINE SCREW, 6-32 x 3/8, PAN HD, PHILLIPS	3	EA	
3	029479-000	U-BURNER, BQ ASM	3	EA	
4	031232-000	BOX, U BURNER, 36"	3	EA	
5	032285-000	GRILL, CKNG, GRATE, PORC	3	EA	
6	032239-000	BRACKET, REAR GRILL BURNER	3	EA	
8	032370-000	TRAY, CRMC, BRIQUETTE, ASM	5	EA	
10	PB020114	FLASH TUBE (VGBQ3002T)	3	EA	
11	008091-000	PB040288 IGNITOR KIT	3	EA	

CANOPY AND UPPER

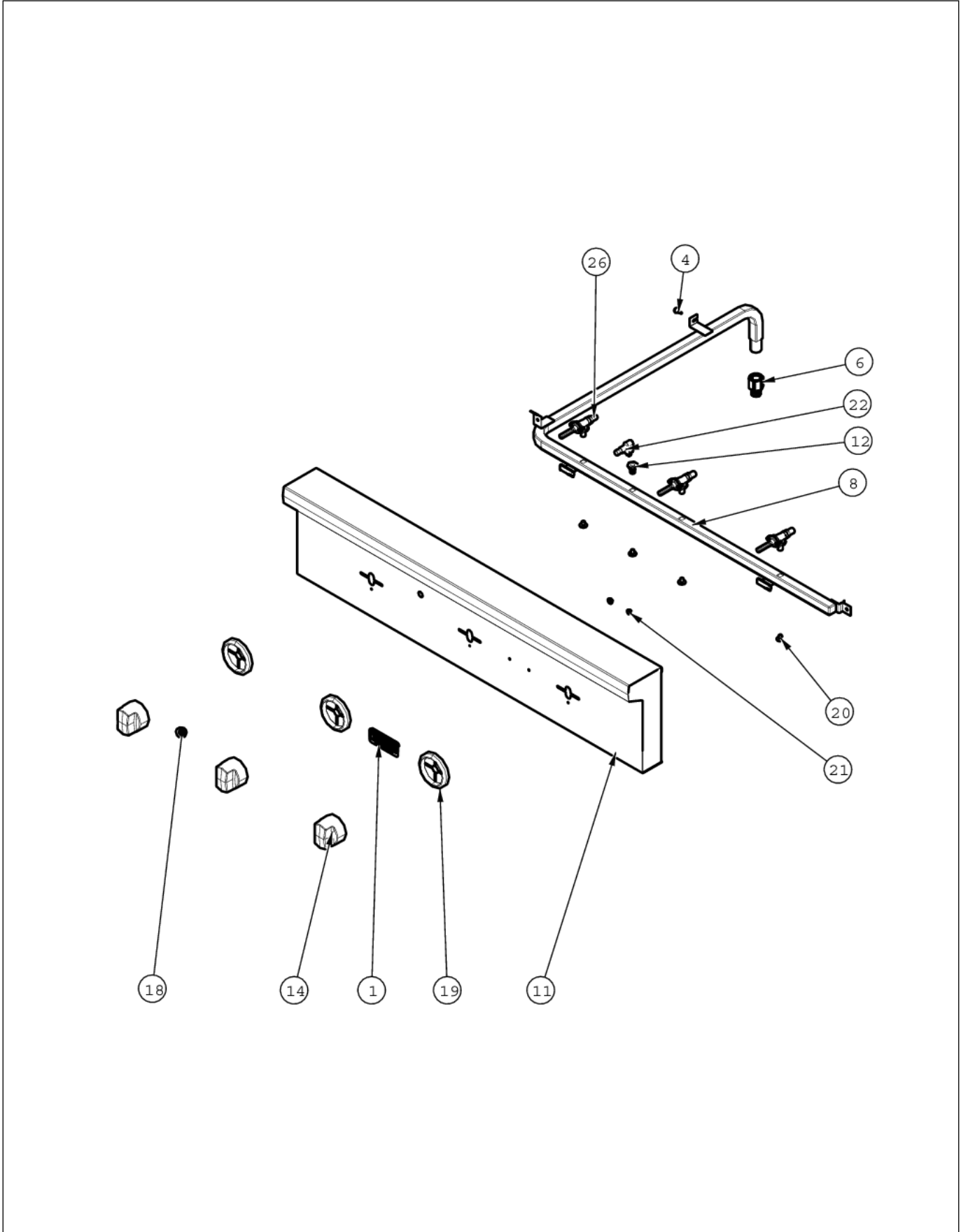






Item	Part No.	Name	Qty	Uom	NOTES
2	035647-000	FASTENER, BOLT, HXH, SST	4	EA	
3	PD020055	' #10 X 1/2" PAN PHIL. TEK.*SS*	23	EA	
4	042720-000	GAUGE, BMTL, TEMPERATURE	1	EA	
5	026724-000	SPACER, WSHR	1	EA	
6	026965-000	END CAP, ASM, DOOR HANDLE	2	EA	
8	031211-000	HANDLE, DOOR, 36"	1	EA	
10	031879-000	PANEL, REAR, BQ, 36"	1	EA	
11	032841-000	WINDSHIELD ASM, BQ W/O RTSR, LH	1	EA	
12	032947-000	WINDSHIELD ASM, BQ W/O RTSR, RH	1	EA	
14	035560-000	HOOD, BQ, 36" ASM	1	EA	
18	035336-000	HEAT SHIELD, FRONT, VGBQ13603	1	EA	
19	050172-000	BEZEL, KNOB	1	EA	
20	034607-000	FASTENER, BOLT, 5/16 - 1-1/2"	2	EA	
21	PD030063	10-C05-HC 5/16-18 FLANGE NUT	2	EA	

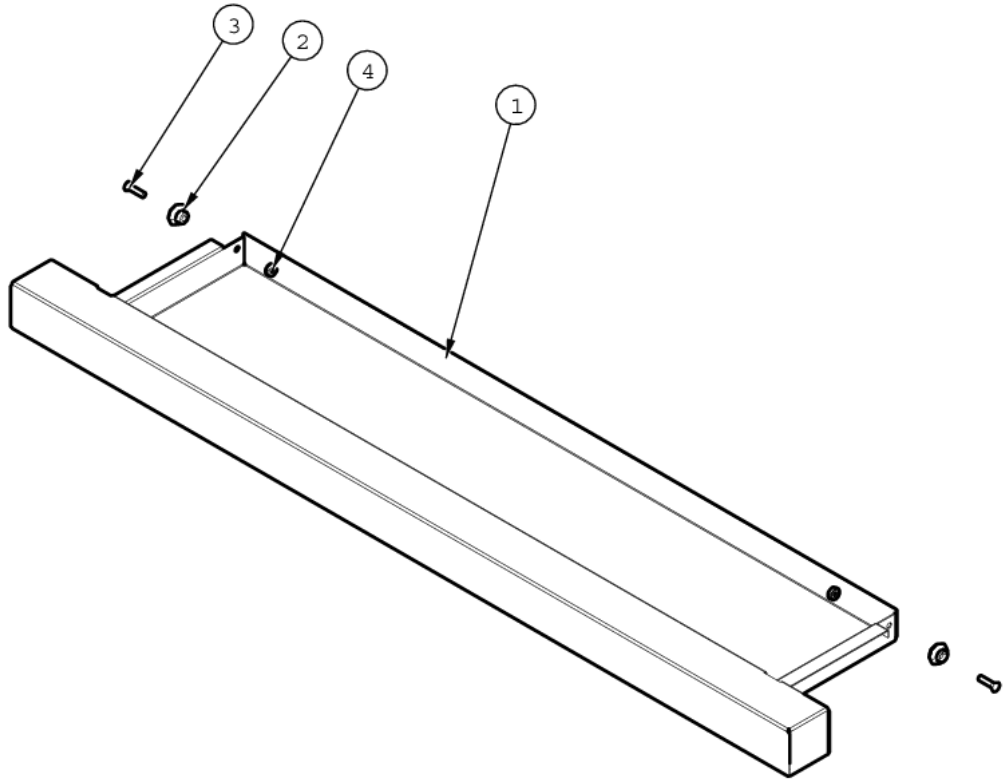
CONTROL PANEL





Item	Part No.	Name	Qty	Uom	NOTES
1	015009-000	OUTDOOR LOGO - 3" CHROME	1	EA	
4	PD020055	' #10 X 1/2" PAN PHIL. TEK.*SS*	2	EA	
6	PB040146	1/2" X 3/8" FLARE ADAPTER (VGBQ)	1	EA	
8	031197-000	MANIFOLD, VGBQ13603	1	EA	
11	042745-2387	PNL, CTRL, ASSY, W/O RTSR (VGBQ13603 W/GRAPHICS)	1	EA	Not available online / Call for pricing and availability
12	002884-000	MANIFOLD PLUG	1	EA	
14	003561-000	OUTDOOR GRILL KNOB	3	EA	
18	PB010163	OVEN LIGHT SWITCH KNOB *BK* (VESO/D	1	EA	
26	014953-000	VALVE, GAS, ASM, U BNR - LP #54	3	EA	
26	014952-000	VALVE, GAS, ASM, U BNR #40	3	EA	
19	PB010304	KNOB BEZEL	3	EA	
20	PD010012	1/4 x 3/8 VALVE BOLT	4	EA	
21	PD030006	CAPPED WASHER PAL NUT	2	EA	
22	PE050063	SPARKER SWITCH (PHASE 2)	1	EA	

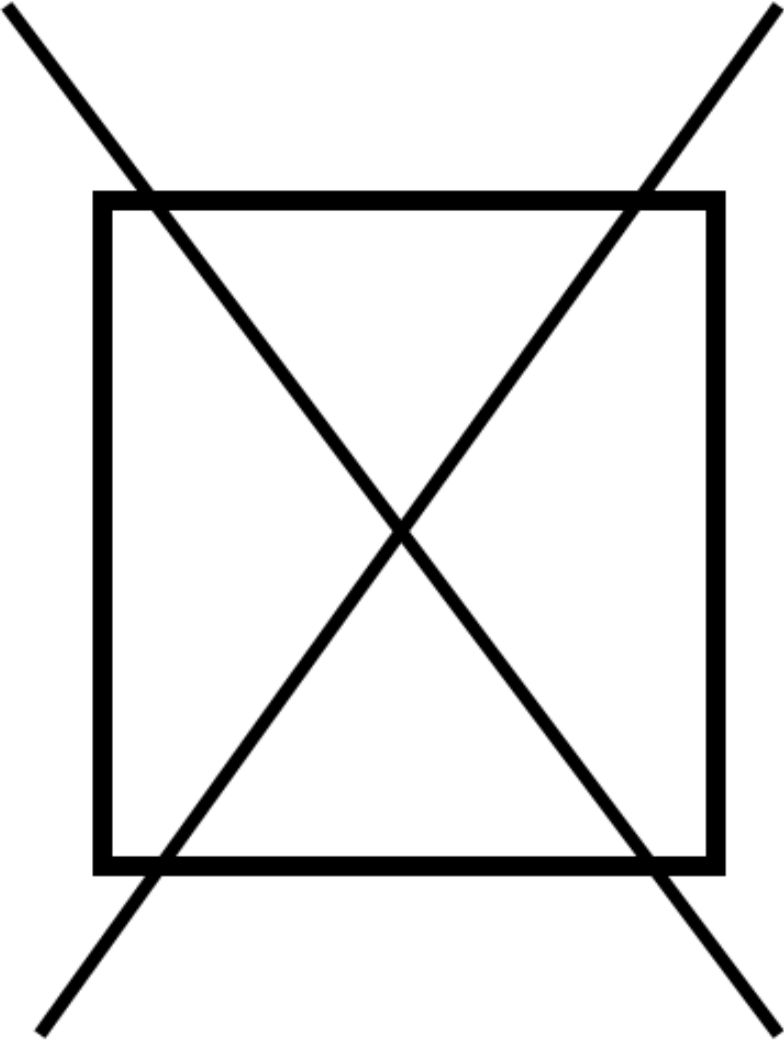
DRIP TRAY





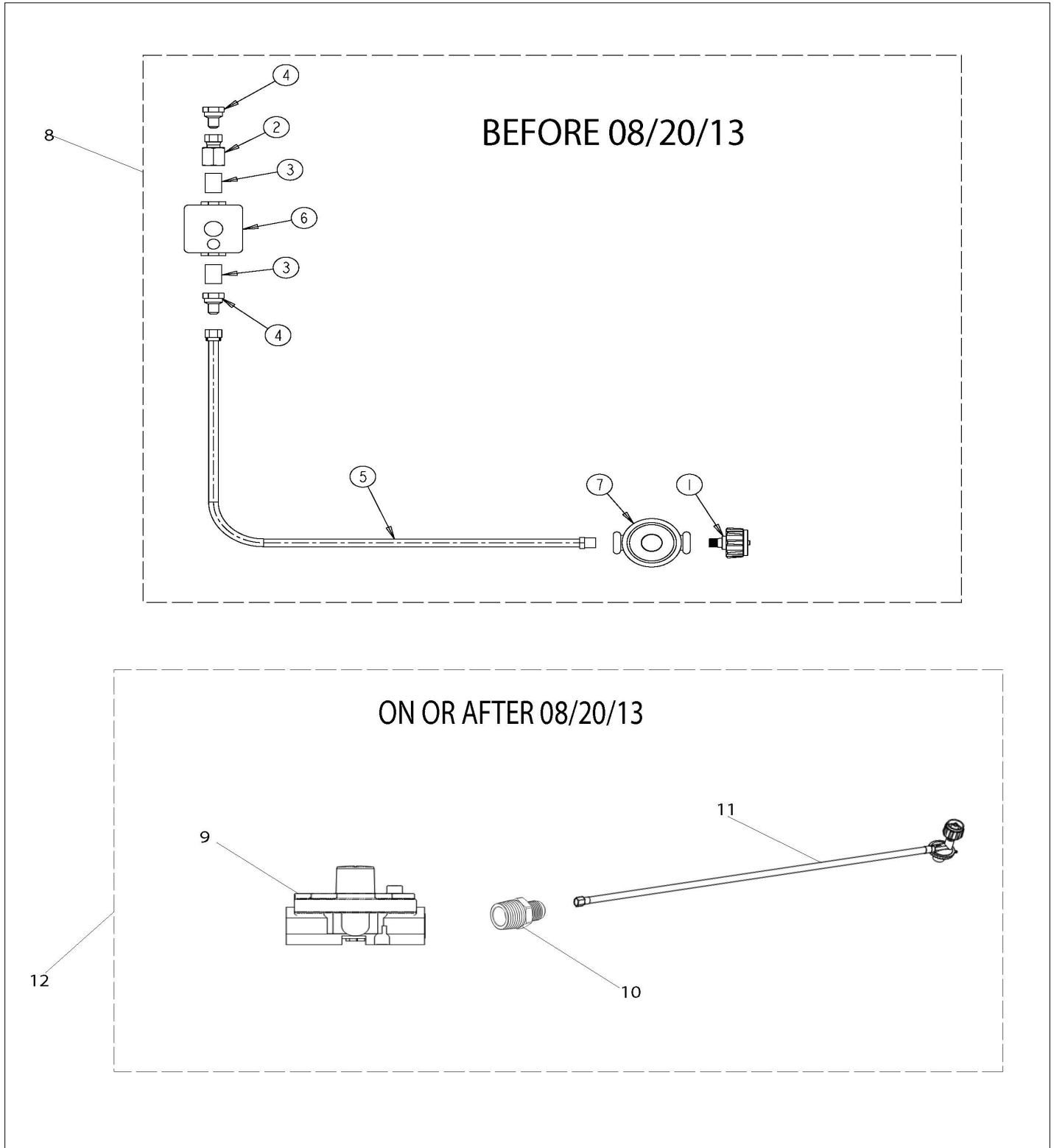
Item	Part No.	Name	Qty	Uom	NOTES
1	029458-000	DRIP TRAY	1	EA	
2	PC020025	DRIP TRAY WHEEL	2	EA	
3	PD020082	10 X 24 COUNTERSUNK S.S. SCREW	2	EA	
4	PD030044	10-24 KEPS NUT *SS*	4	EA	

# NON ILLUSTRATED PART





Item	Part No.	Name	Qty	Uom	NOTES
NI	G4006377	WIRE ASSY (VGBQ-T SERIES) 15"	1	EA	
NI	G4006379	WIRE ASSY (VGBQ-T SERIES) 25"	2	EA	
NI	G4006380	WIRE ASSY (VGBQ-T SERIES) 15"	2	EA	
NI	036446-000	WIRE ASM, GROUND 7.5"	1	EA	
NI	036452-000	WIRE ASM, IGNITER, 21	1	EA	

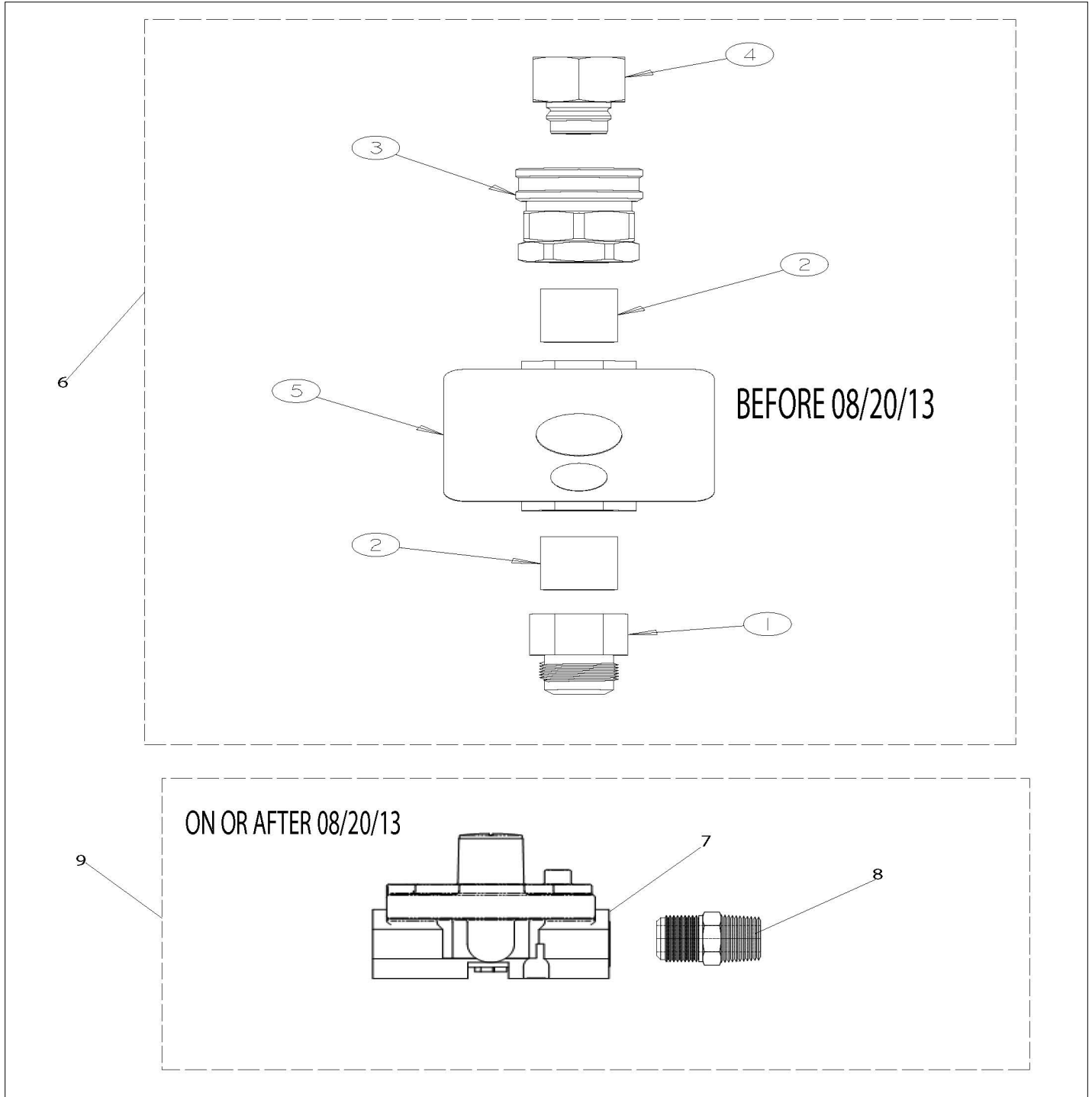






Item	Part No.	Name	Qty	Uom	NOTES
1	PA010138	CYLINDER CONNECTION	1	EA	
2	PB040235	1/2"NPT TO 3/8" FLARE COUPLING	1	EA	
3	PB040046	1/2" CLOSE NIPPLE	1	EA	
4	PB040146	1/2" X 3/8" FLARE ADAPTER (VGBQ)	1	EA	
5	PB020227	HIGH PRESSURE LP HOSE	1	EA	
6	PA070005	PRESSURE REG.(LP) RV47L- 77-10.0	1	EA	
7	PA070007	LP TANK REGULATOR (VGBQ)	1	EA	
8	G3004937	REGULATOR ASSY - L.P. W/HOSE	1	EA	
9	PA070005	PRESSURE REG.(LP) RV47L- 77-10.0	1	EA	
10	041140-000	ADPT, STR, MALE, CMPN, FLRE, BRS, 45 DEG	1	EA	
11	043204-000	REGUALTOR, LP, HIGH PRESSURE, ASM	1	EA	
12	043214-000	REGULATOR, HOSE, LP ASSY	1	EA	

Natural Gas Asm





Item	Part No.	Name	Qty	Uom	NOTES
1	PB020239	7/8 FLARE TO 1/2 FEMALE CONNECTOR	1	EA	
2	PB040046	1/2" CLOSE NIPPLE	2	EA	
3	023653-000	Nipple-Coupler Assy	1	EA	
4	023653-000	Nipple-Coupler Assy	1	EA	
5	PA070006	PRESSURE REG.(NAT.)-4"-FOR BBQ GRIL - NLA	1	EA	
6	G3004936	REGULATOR ASSY - NAT (P1 GRILL)	1	EA	
7	PA070006	PRESSURE REG.(NAT.)-4"-FOR BBQ GRIL - NLA	1	EA	
8	043747-000	FITTING, FLARE, BRASS	1	EA	Not available online / Call for pricing and availability
9	043217-000	REGUALATOR, NAT ASSY	1	EA	



Appendix A:Pages Index

BASE ..... 1  
BURNER BOX ..... 2  
CANOPY AND UPPER ..... 3  
CONTROL PANEL ..... 4  
DRIP TRAY ..... 5  
LP Gas Asm ..... 7  
Natural Gas Asm ..... 8  
WIRING ..... 6



Appendix B:Parts Index

002671-000	1	050172-000	3
002884-000	4	G3004936	8
003561-000	4	G3004937	7
004706-000	2	G4006377	6
008091-000	2	G4006379	6
014952-000	4	G4006380	6
014953-000	4	PA010138	7
015009-000	4	PA020036	1
023653-000	8, 8	PA070005	7, 7
026724-000	3	PA070006	8, 8
026965-000	3	PA070007	7
029458-000	5	PB010163	4
029459-000	1	PB010304	4
029479-000	2	PB020114	2
031195-000	1	PB020227	7
031197-000	4	PB020239	8
031211-000	3	PB040046	7, 8
031232-000	2	PB040146	4, 7
031554-000	1	PB040235	7
031555-000	1	PC020025	1, 5
031879-000	1, 3	PD010012	4
032239-000	2	PD020055	1, 3, 4
032285-000	2	PD020082	1, 5
032370-000	2	PD030006	4
032841-000	3	PD030044	1, 5
032947-000	3	PD030063	3
033540-000	1	PD950012	1
034607-000	3	PE050063	4
035336-000	3	PM010049	1
035560-000	3		
035647-000	3		
036446-000	6		
036452-000	6		
041140-000	7		
042720-000	3		
042745-2387	4		
043204-000	7		
043214-000	7		
043217-000	8		
043747-000	8		