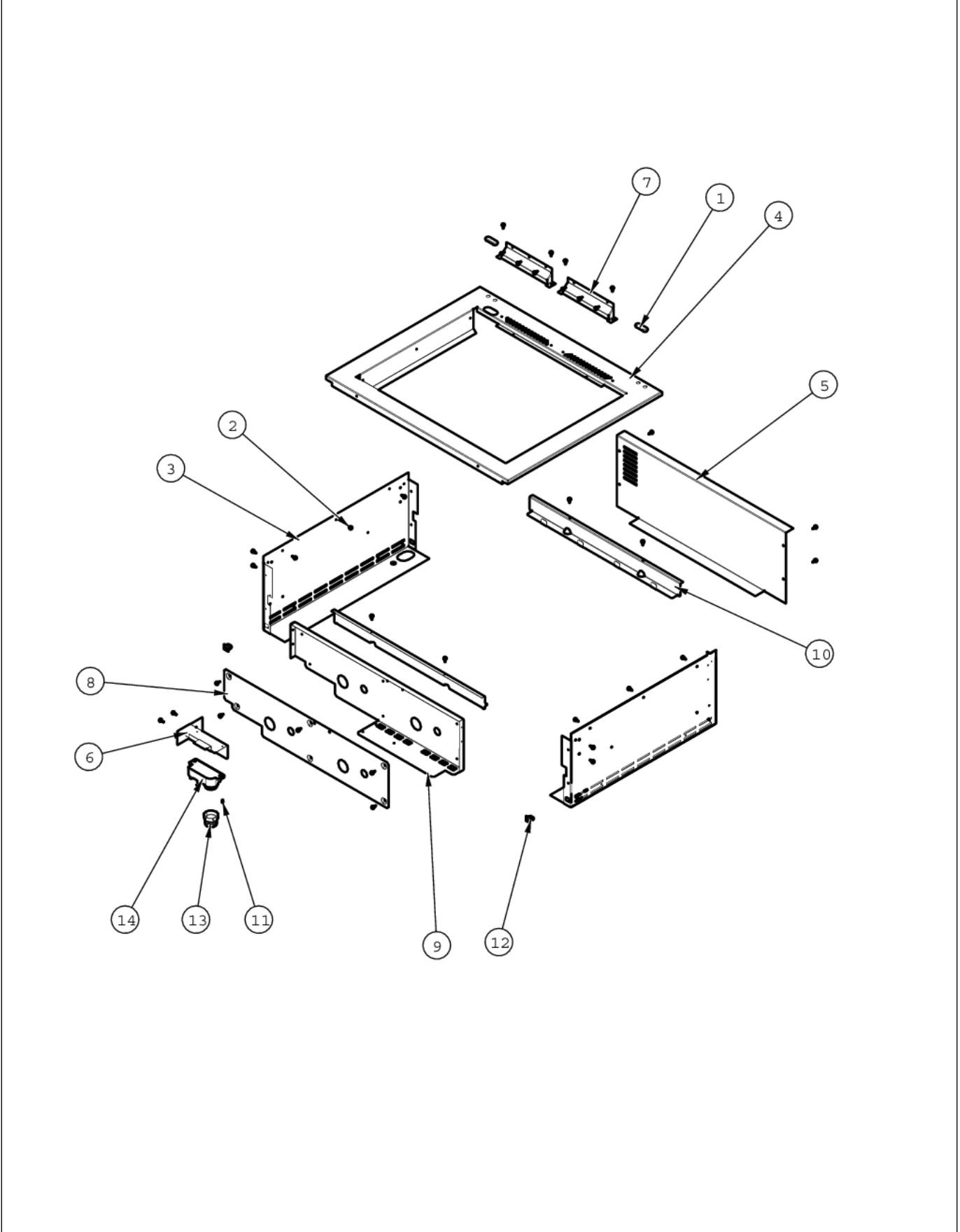


VGBQ13002

BASE	1
BURNER BOX	2
CANOPY	3
CONTROL PANEL	4
DRIP TRAY	5
UPPER AREA	6
WIRING	7
LP Gas Asm	8
Natural Gas Asm	9
Appendix A:Pages Index	A
Appendix B:Parts Index	B

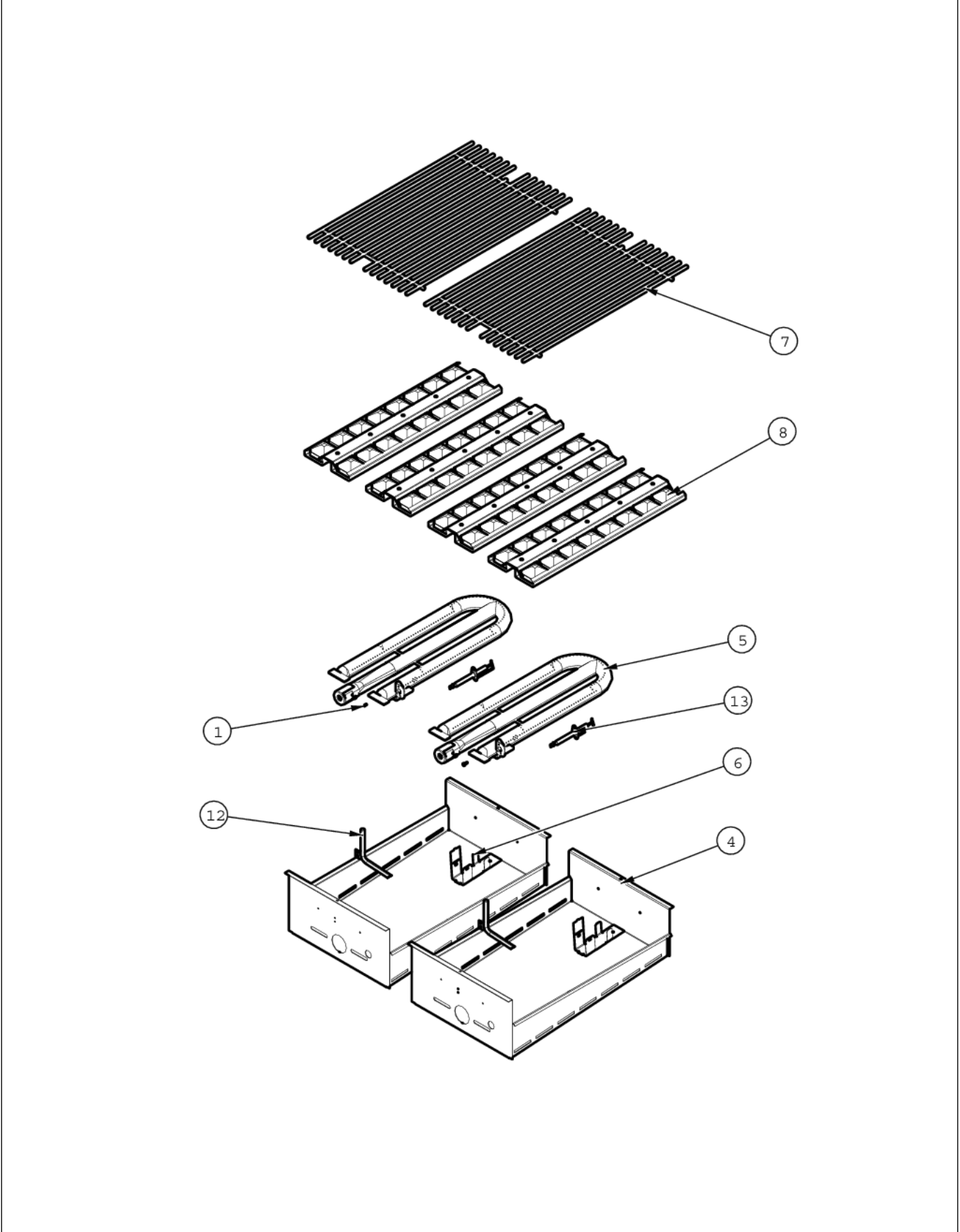
BASE





Item	Part No.	Name	Qty	Uom	NOTES
1	002671-000	RUBBER DOOR BUMPER	2	EA	
2	PD020055	' #10 X 1/2" PAN PHIL. TEK.*SS*	17	EA	
3	029459-000	PANEL, LWR SIDE	2	EA	
4	029460-000	FRAME, GRL, TOP	2	EA	
5	031849-000	BRACKET, BACK SUPPORT	1	EA	
6	033540-000	BRACKET, MTG SUPPORT, IGN ASM, 9V	2	EA	
7	035606-000	FLUE DIVERTER, 30	2	EA	
8	035911-000	SUPPORT, FRONT	1	EA	Not available online / Call for pricing and availability
9	035914-000	HEAT SHIELD, FRONT	1	EA	Not available online / Call for pricing and availability
10	036024-000	SUPPORT, TRAY, BRIQUETTE, 30	2	EA	
11	PD020166	#10 X 3/4" PAN PHIL. TEK. *SS*	2	EA	NO LONGER AVAILABLE
12	PD950013	LATCH PANEL ACCESS	2	EA	
13	PM010049	SPARK MODULE BATTERY PHASE II	1	EA	
14	PA020036	SPARK MODULE	1	EA	

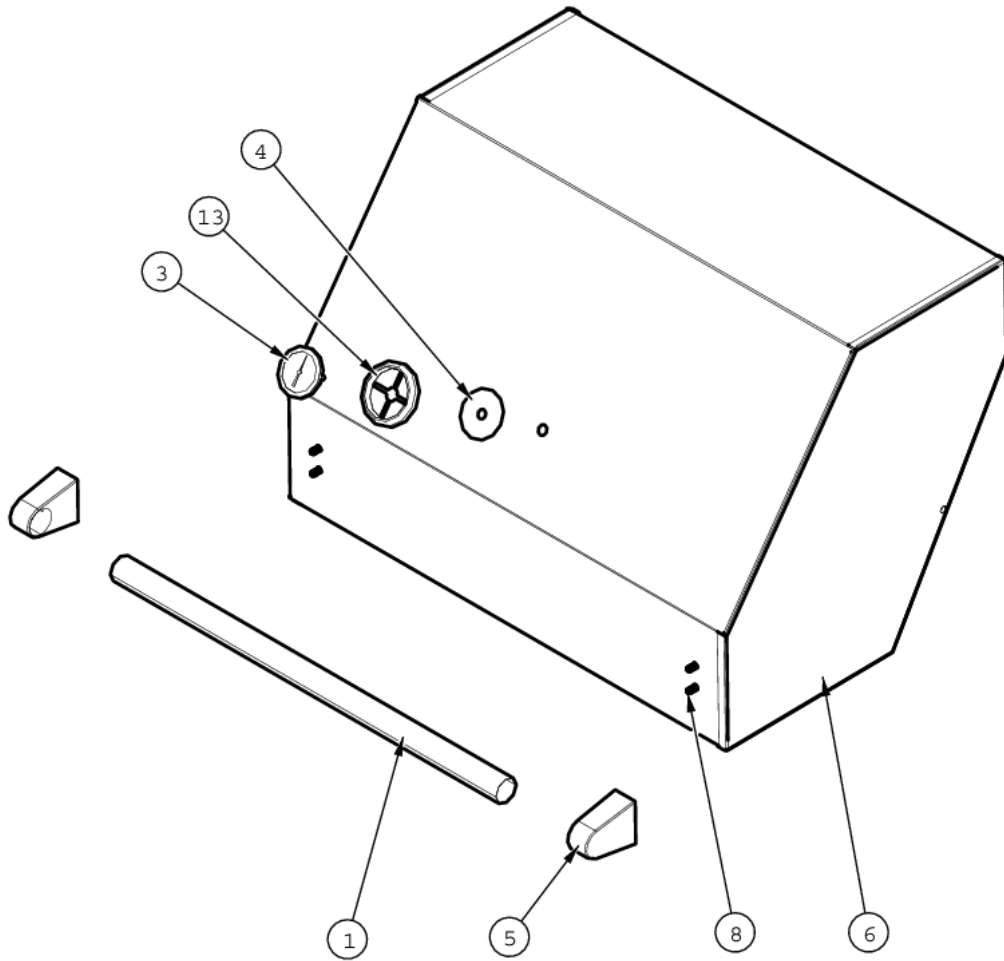
BURNER BOX





Item	Part No.	Name	Qty	Uom	NOTES
1	004706-000	MACHINE SCREW, 6-32 x 3/8, PAN HD, PHILLIPS	2	EA	
4	029461-000	BOX, U BURNER, 30	1	EA	
5	029479-000	U-BURNER, BQ ASM	2	EA	
6	032239-000	BRACKET, REAR GRILL BURNER	1	EA	
7	032287-000	GRILL, CKNG, GRATE, PORC	2	EA	
8	032370-000	TRAY, CRMC, BRIQUETTE, ASM	4	EA	
12	PB020114	FLASH TUBE (VGBQ3002T)	2	EA	
13	008091-000	PB040288 IGNITOR KIT	2	EA	

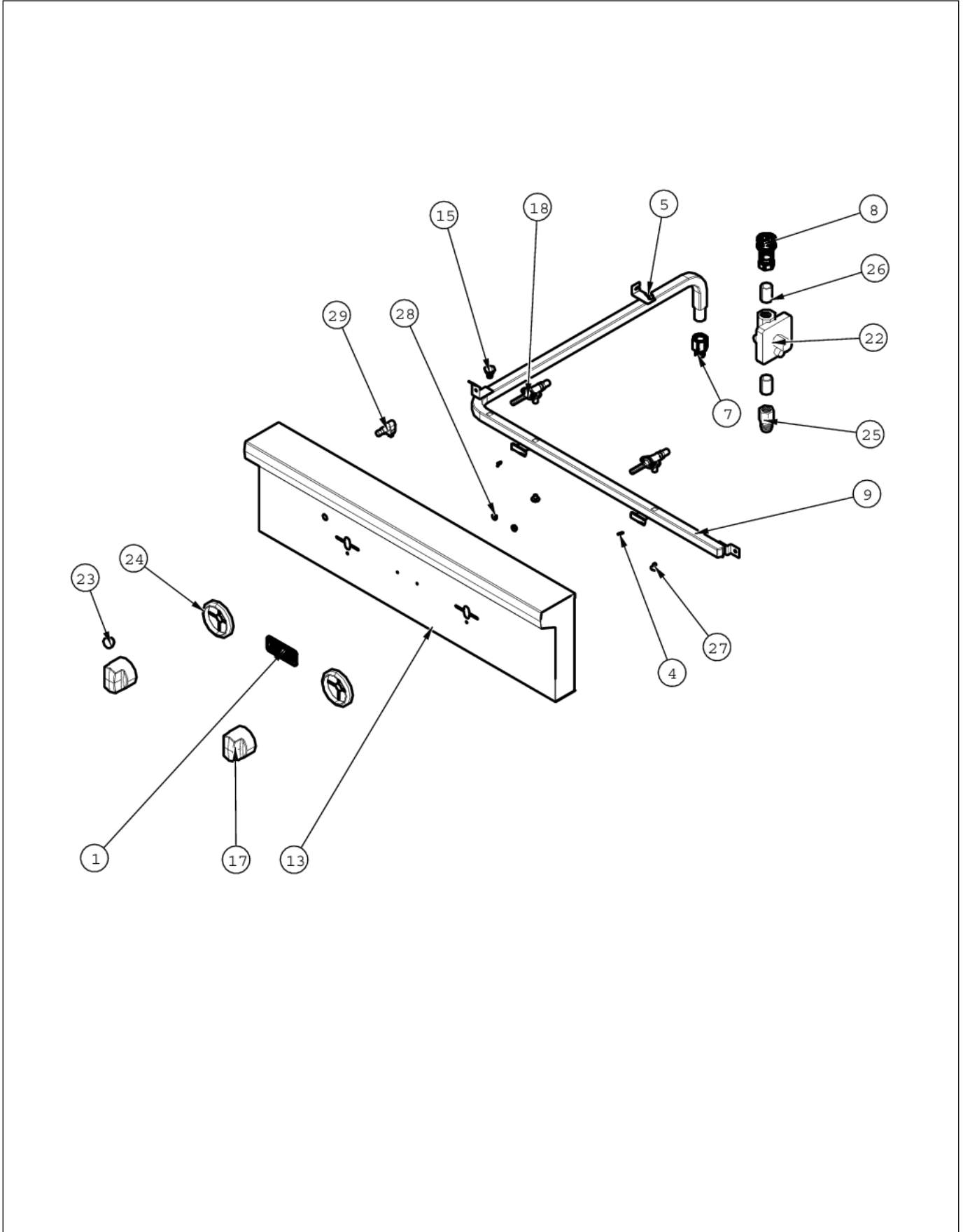
CANOPY





Item	Part No.	Name	Qty	Uom	NOTES
1	019277-000	DOOR HANDLE, 24"	1	EA	
3	042720-000	GAUGE, BMTL, TEMPERATURE	1	EA	
4	026724-000	SPACER, WSHR	1	EA	
5	026965-000	END CAP, ASM, DOOR HANDLE	2	EA	
6	035864-000	HOOD, BQ, 30" ASM	1	EA	
8	035647-000	FASTENER, BOLT, HXH, SST	4	EA	
13	050172-000	BEZEL, KNOB	1	EA	

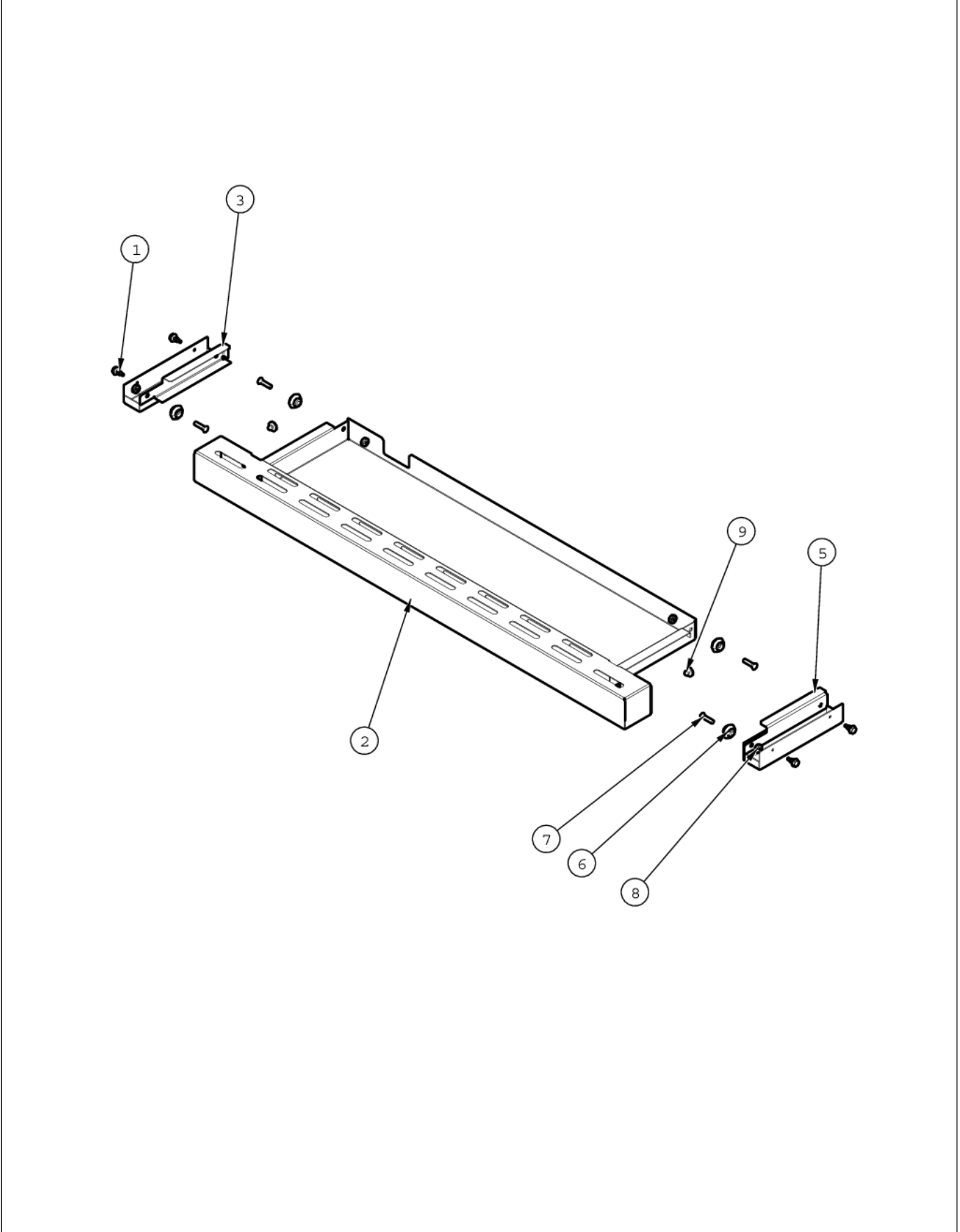
CONTROL PANEL





Item	Part No.	Name	Qty	Uom	NOTES
1	015009-000	OUTDOOR LOGO - 3" CHROME	1	EA	
4	020041-000	SCR, DR, PH, PNH, 410 SS, NPLT, 6-20 x 3/8	2	EA	
5	PD020055	' #10 X 1/2" PAN PHIL. TEK.*SS*	5	EA	
7	PB040146	1/2" X 3/8" FLARE ADAPTER (VGBQ)	1	EA	
8	023653-000	Nipple-Coupler Assy		EA	
9	029468-000	MANIFOLD, ASM	1	EA	
13	032514-2386	PANEL, CNTRL WELD W/GRAPHICS, BQ13002	1	EA	Not available online / Call for pricing and availability
15	002884-000	MANIFOLD PLUG	1	EA	
17	003561-000	OUTDOOR GRILL KNOB	2	EA	
18	014953-000	VALVE, GAS, ASM, U BNR - LP #54	2	EA	
18	014952-000	VALVE, GAS, ASM, U BNR #40	2	EA	
22	PA070005	PRESSURE REG.(LP) RV47L- 77-10.0	1	EA	
22	PA070006	PRESSURE REG.(NAT.)-4"-FOR BBQ GRIL - NLA	1	EA	
23	PB010163	OVEN LIGHT SWITCH KNOB *BK* (VESO/D	1	EA	
24	PB010304	KNOB BEZEL	2	EA	
25	PB040235	1/2"NPT TO 3/8" FLARE COUPLING	1	EA	
26	PB040046	1/2" CLOSE NIPPLE	2	EA	
27	PD010012	1/4 x 3/8 VALVE BOLT	3	EA	
28	PD030006	CAPPED WASHER PAL NUT	2	EA	
29	PE050063	SPARKER SWITCH (PHASE 2)	1	EA	

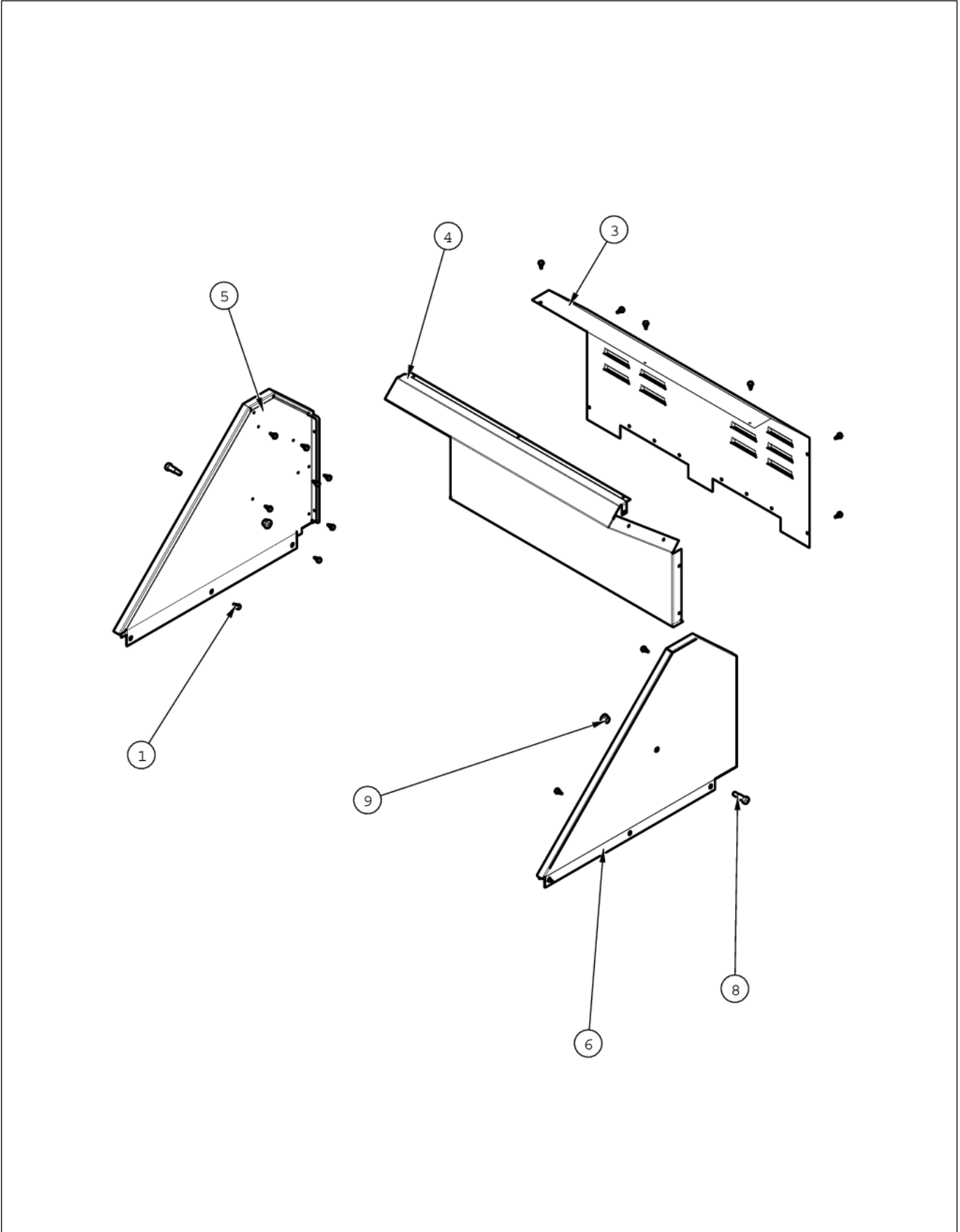
DRIP TRAY





Item	Part No.	Name	Qty	Uom	NOTES
1	PD020055	' #10 X 1/2" PAN PHIL. TEK.*SS*	4	EA	
2	031548-000	DRIP TRAY ASM, BQ, 30"	1	EA	
3	031555-000	DRIP TRAY GUIDE, LH	1	EA	
5	031554-000	DRIP TRAY GUIDE, RH	1	EA	
6	PC020025	DRIP TRAY WHEEL	2	EA	
7	PD020082	10 X 24 COUNTERSUNK S.S. SCREW	4	EA	
8	PD030044	10-24 KEPS NUT *SS*	4	EA	
9	PD040004	GROMMET BUMPER	2	EA	

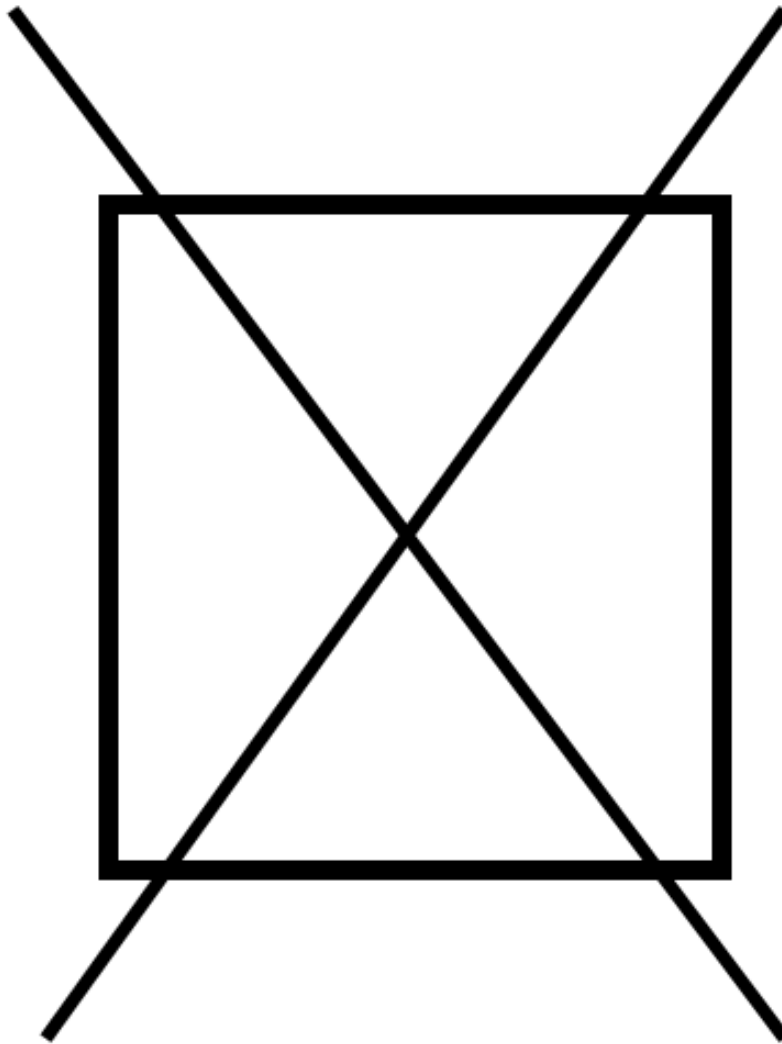
UPPER AREA





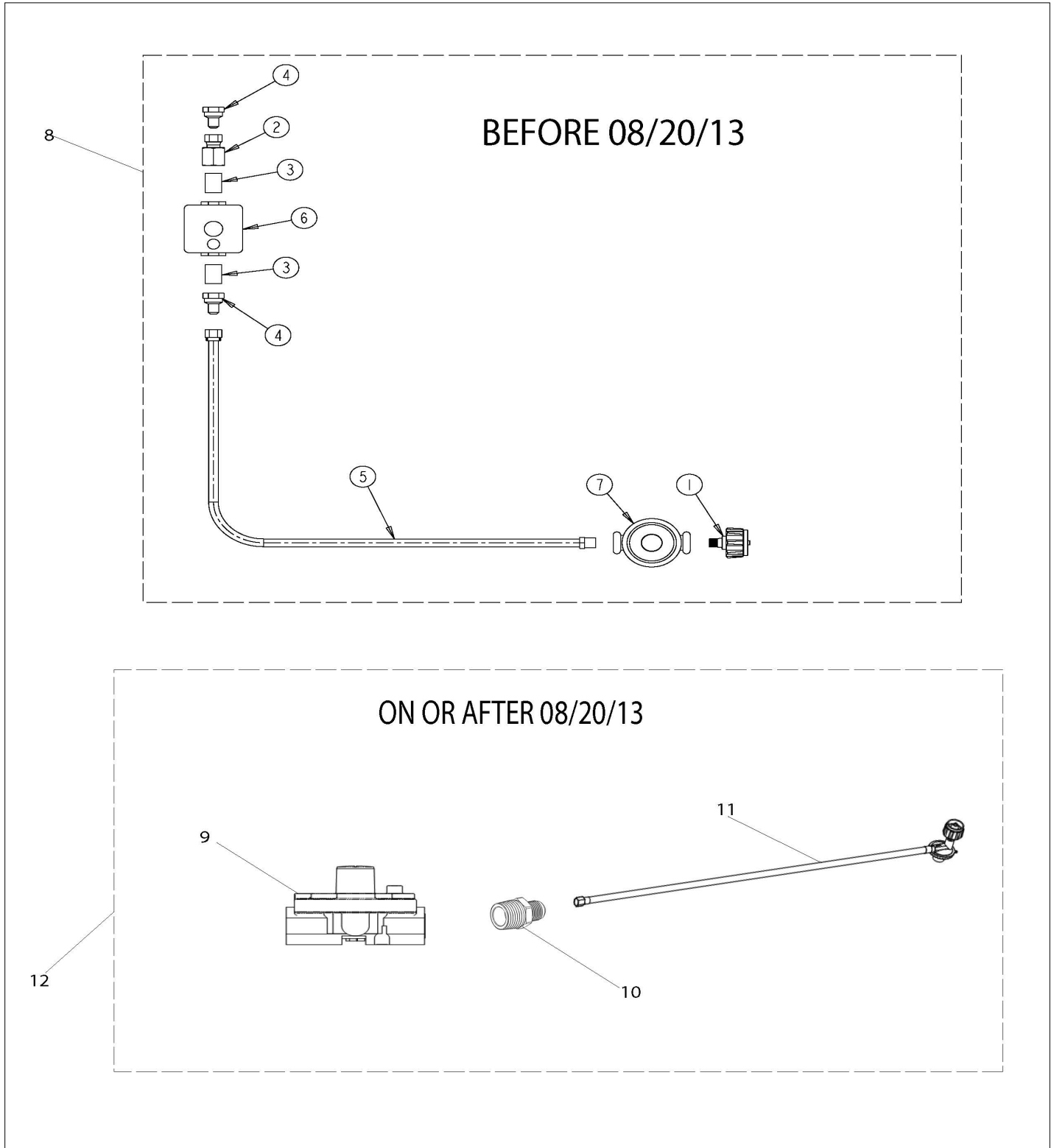
Item	Part No.	Name	Qty	Uom	NOTES
1	PD020055	' #10 X 1/2" PAN PHIL. TEK.*SS*	31	EA	
3	029462-000	PANEL, REAR BQ	1	EA	
4	032770-000	BACKPLATE, INT, W/RTSR, VGBQ13002	1	EA	Not available online / Call for pricing and availability
5	032841-000	WINDSHIELD ASM, BQ W/O RTSR, LH	1	EA	
6	032947-000	WINDSHIELD ASM, BQ W/O RTSR, RH	1	EA	
8	034607-000	FASTENER, BOLT, 5/16 - 1-1/2"	2	EA	
9	PD030063	10-C05-HC 5/16-18 FLANGE NUT	2	EA	

NON ILLUSTRATED PART





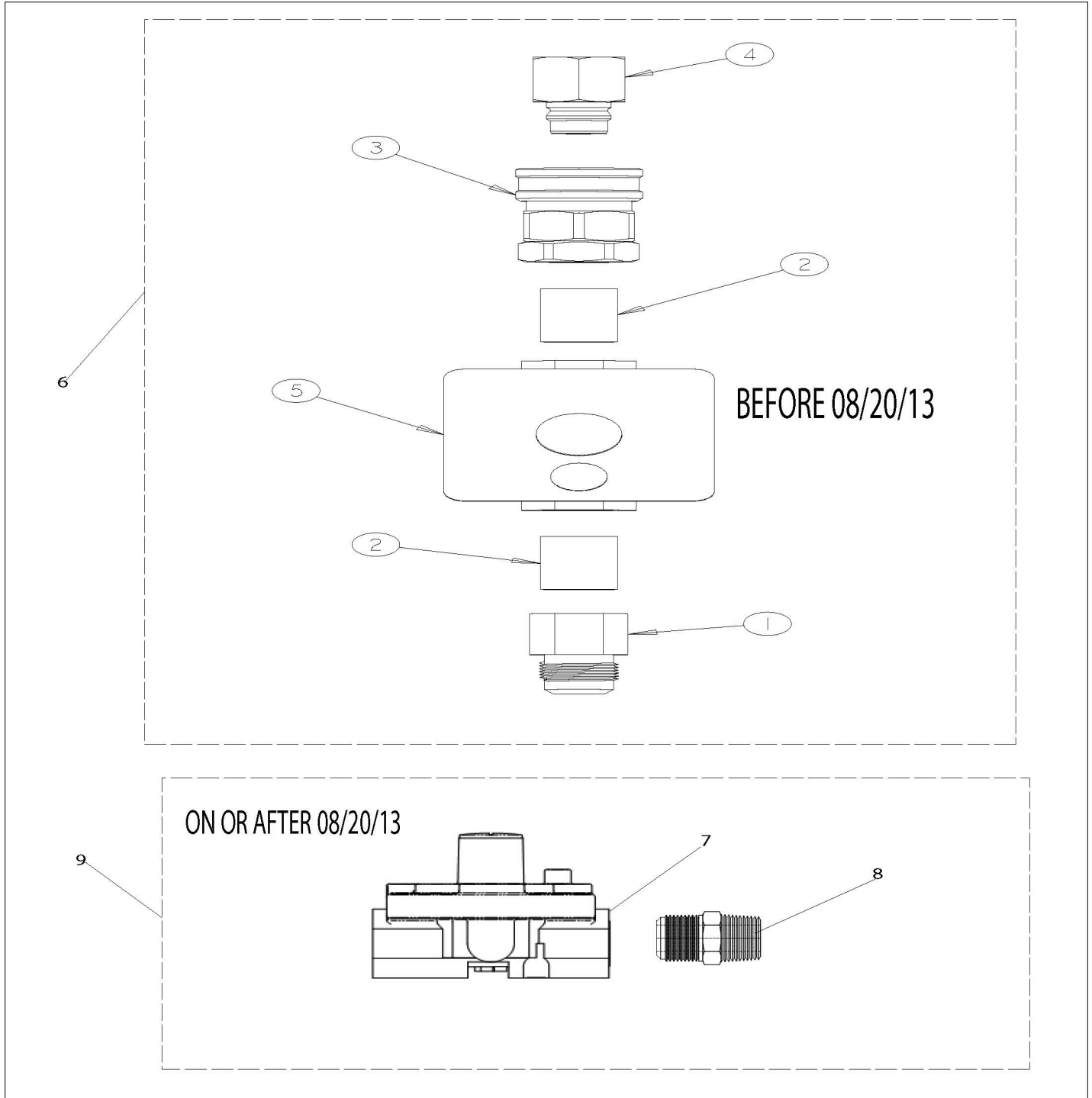
Item	Part No.	Name	Qty	Uom	NOTES
NI	036446-000	WIRE ASM, GROUND 7.5"	2	EA	
NI	G4006377	WIRE ASSY (VGBQ-T SERIES) 15"	1	EA	
NI	G4006379	WIRE ASSY (VGBQ-T SERIES) 25"	1	EA	
NI	G4006380	WIRE ASSY (VGBQ-T SERIES) 15"	2	EA	
NI	036452-000	WIRE ASM, IGNITER, 21	1	EA	





Item	Part No.	Name	Qty	Uom	NOTES
1	PA010138	CYLINDER CONNECTION	1	EA	
2	PB040235	1/2"NPT TO 3/8" FLARE COUPLING	1	EA	
3	PB040046	1/2" CLOSE NIPPLE	1	EA	
4	PB040146	1/2" X 3/8" FLARE ADAPTER (VGBQ)	1	EA	
5	PB020227	HIGH PRESSURE LP HOSE	1	EA	
6	PA070005	PRESSURE REG.(LP) RV47L- 77-10.0	1	EA	
7	PA070007	LP TANK REGULATOR (VGBQ)	1	EA	
8	G3004937	REGULATOR ASSY - L.P. W/HOSE	1	EA	
9	PA070005	PRESSURE REG.(LP) RV47L- 77-10.0	1	EA	
10	041140-000	ADPT, STR, MALE, CMPN, FLRE, BRS, 45 DEG	1	EA	
11	043204-000	REGUALTOR, LP, HIGH PRESSURE, ASM	1	EA	
12	043214-000	REGULATOR, HOSE, LP ASSY	1	EA	

Natural Gas Asm





Item	Part No.	Name	Qty	Uom	NOTES
1	PB020239	7/8 FLARE TO 1/2 FEMALE CONNECTOR	1	EA	
2	PB040046	1/2" CLOSE NIPPLE	2	EA	
3	023653-000	Nipple-Coupler Assy	1	EA	
4	023653-000	Nipple-Coupler Assy	1	EA	
5	PA070006	PRESSURE REG.(NAT.)-4"-FOR BBQ GRIL - NLA	1	EA	
6	G3004936	REGULATOR ASSY - NAT (P1 GRILL)	1	EA	
7	PA070006	PRESSURE REG.(NAT.)-4"-FOR BBQ GRIL - NLA	1	EA	
8	043747-000	FITTING, FLARE, BRASS	1	EA	Not available online / Call for pricing and availability
9	043217-000	REGUALATOR, NAT ASSY	1	EA	



Appendix A:Pages Index

BASE 1
BURNER BOX 2
CANOPY 3
CONTROL PANEL 4
DRIP TRAY 5
LP Gas Asm 8
Natural Gas Asm 9
UPPER AREA 6
WIRING 7



Appendix B:Parts Index

002671-000	1	041140-000	8
002884-000	4	042720-000	3
003561-000	4	043204-000	8
004706-000	2	043214-000	8
008091-000	2	043217-000	9
014952-000	4	043747-000	9
014953-000	4	050172-000	3
015009-000	4	G3004936	9
019277-000	3	G3004937	8
020041-000	4	G4006377	7
023653-000	4, 9, 9	G4006379	7
026724-000	3	G4006380	7
026965-000	3	PA010138	8
029459-000	1	PA020036	1
029460-000	1	PA070005	4, 8, 8
029461-000	2	PA070006	4, 9, 9
029462-000	6	PA070007	8
029468-000	4	PB010163	4
029479-000	2	PB010304	4
031548-000	5	PB020114	2
031554-000	5	PB020227	8
031555-000	5	PB020239	9
031849-000	1	PB040046	4, 8, 9
032239-000	2	PB040146	4, 8
032287-000	2	PB040235	4, 8
032370-000	2	PC020025	5
032514-2386	4	PD010012	4
032770-000	6	PD020055	1, 4, 5, 6
032841-000	6	PD020082	5
032947-000	6	PD020166	1
033540-000	1	PD030006	4
034607-000	6	PD030044	5
035606-000	1	PD030063	6
035647-000	3	PD040004	5
035864-000	3	PD950013	1
035911-000	1	PE050063	4
035914-000	1	PM010049	1
036024-000	1		
036446-000	7		
036452-000	7		