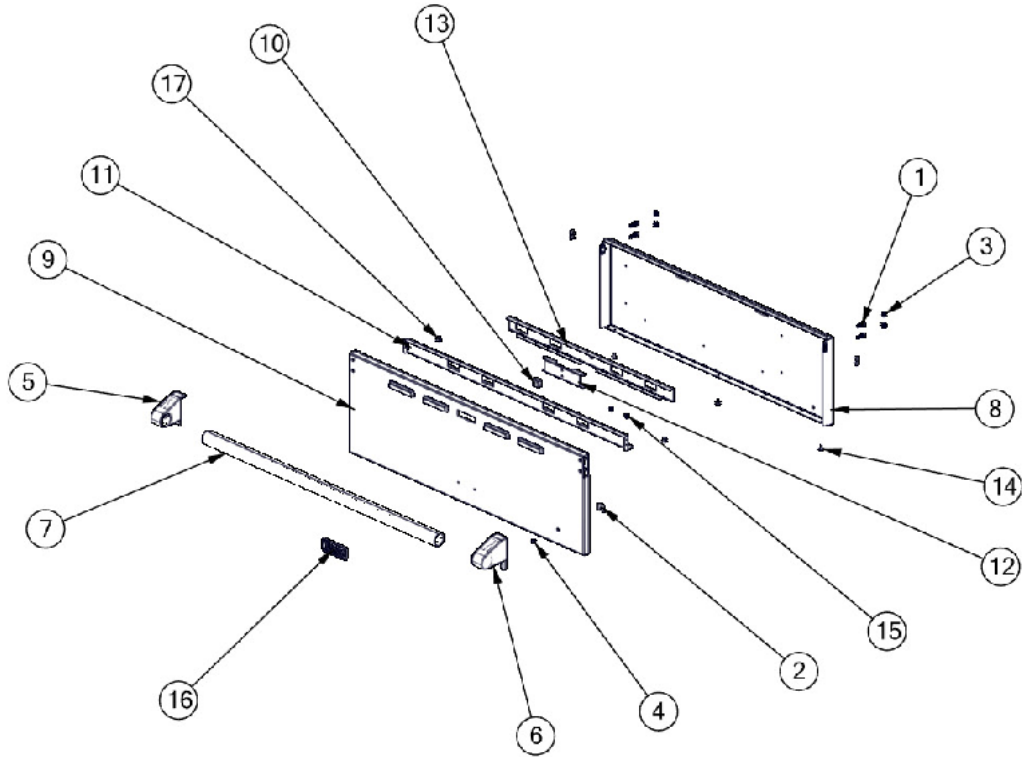


VEWD530

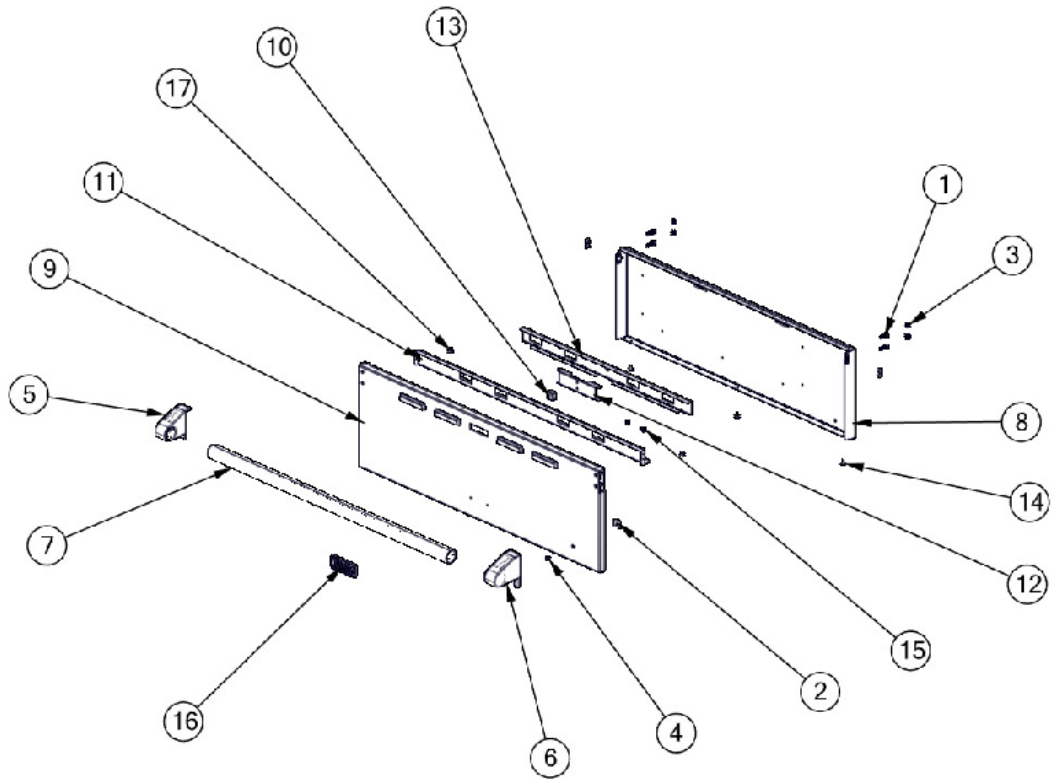
DOOR	1
DRAWER	2
INNER CABINET	3
OUTER CABINET	4
WIRING DIAGRAM	5
Appendix A:Pages Index	A
Appendix B:Parts Index	B

DOOR





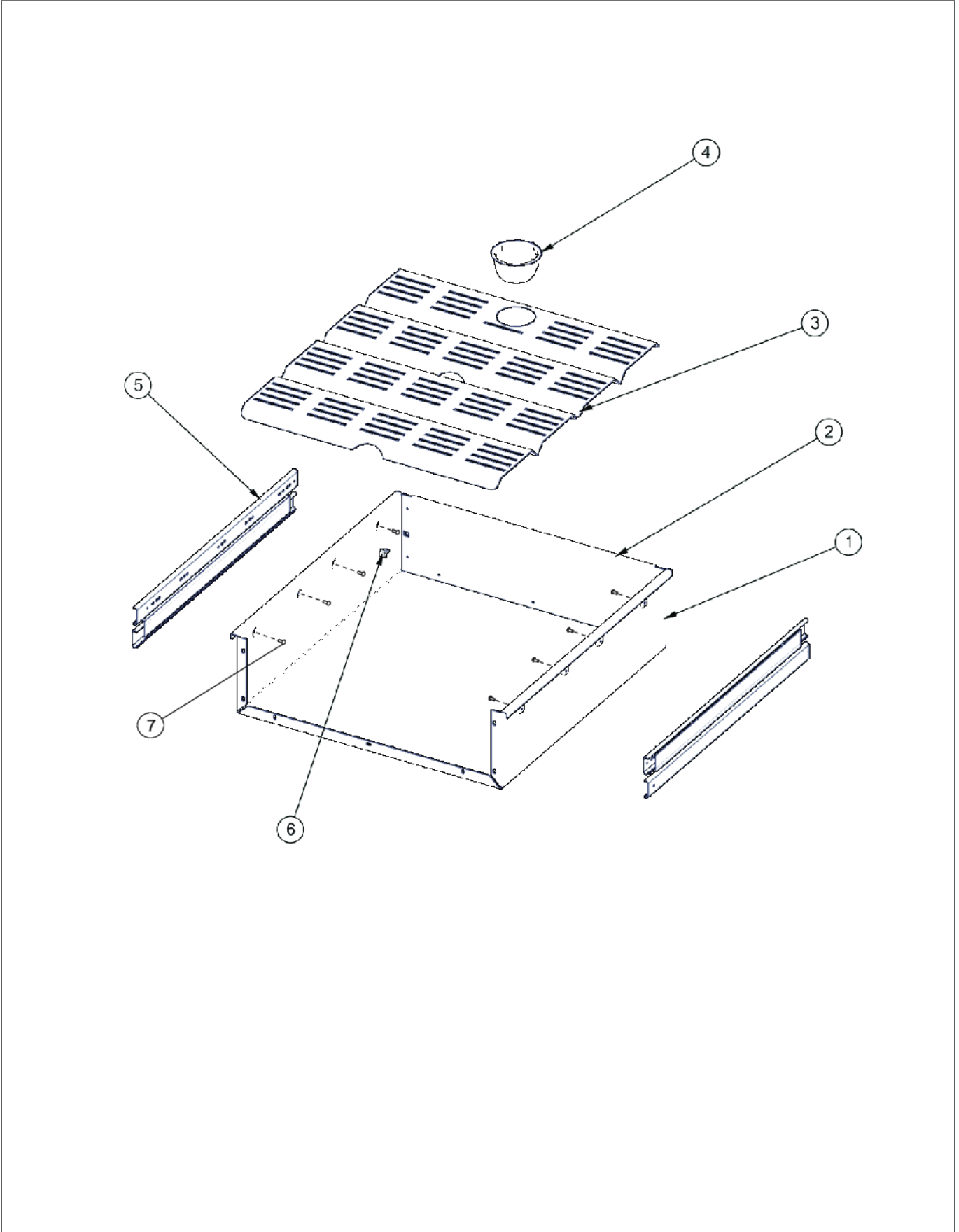
Item	Part No.	Name	Qty	Uom	NOTES
1	030823-000	#10-32 PAN HEAD PHILLIPS MACHINE SCREW	4	EA	
2	003931-000	LIGHT BULB BRKT VEWD	1	EA	
3	004907-000	STEEL FINISHING PLUG, NICKEL PLTD 25/64" HOLE	4	EA	
4	015174-000	LENS, BLUE	1	EA	
5	025186-000	ENDCAP, DOOR HDL, ASM, LH	1	EA	
5	025186-100	ENDCAP, DOOR HDL, ASM, LH, BR	1	EA	
6	025187-000	ENDCAP, DOOR HDL, ASM, RH	1	EA	
6	025187-100	ENDCAP, DOOR HDL, ASM, RH, BR	1	EA	
7	023998-000	HANDLE DOOR 30" 29.126	1	EA	
8	026117-000	VEWD530 INNER DOOR PANEL	1	EA	
9	026118-000	VEWD530 OUTER DOOR, SS	1	EA	
9	027022-002	VEWD530 OUTER DOOR, BK	1	EA	
9	027022-003	VEWD530 OUTER DOOR, BT	1	EA	
9	027022-004	VEWD530 OUTER DOOR, SG	1	EA	
9	027022-005	VEWD530 OUTER DOOR, GG	1	EA	
9	027022-006	VEWD530 OUTER DOOR, WH	1	EA	
9	027022-008	VEWD530 OUTER DOOR, BU	1	EA	
9	027022-009	VEWD530 OUTER DOOR, LE	1	EA	
9	027022-010	VEWD530 OUTER DOOR, MJ	1	EA	
9	027022-012	VEWD530 OUTER DOOR, VB	1	EA	
9	027022-013	VEWD530 OUTER DOOR, CB	1	EA	
9	027022-015	VEWD530 OUTER DOOR, PL	1	EA	
9	027022-016	VEWD530 OUTER DOOR, CH	1	EA	
9	027022-017	VEWD530 OUTER DOOR, TP	1	EA	
9	027022-018	VEWD530 OUTER DOOR, CW NLA	1	EA	
9	027022-019	VEWD530 OUTER DOOR, OG	1	EA	
9	027022-020	VEWD530 OUTER DOOR, GM	1	EA	
9	027022-021	VEWD530 OUTER DOOR, SA	1	EA	
9	027022-022	VEWD530 OUTER DOOR, SE	1	EA	
9	027022-023	VEWD530 OUTER DOOR, IB	1	EA	





Item	Part No.	Name	Qty	Uom	NOTES
9	027022-024	VEWD530 OUTER DOOR, AR	1	EA	
9	027022-025	VEWD530 OUTER DOOR, RR	1	EA	
9	027022-026	VEWD530 OUTER DOOR, PM	1	EA	
9	027022-027	VEWD530 OUTER DOOR, MS	1	EA	
10	PA010072	MOISTURE SELECTOR KNOB *BK* (VEWD)	1	EA	
11	026172-000	VEWD530 VENT BACK SUPPORT	1	EA	
12	026216-000	VEWD 5-SERIES VENT KNOB BRACKET	1	EA	
13	026217-000	VEWD 5-SERIES VENT BAR	1	EA	
14	PD020032	SRW-8(A)X3/8"PH.WFR HD 7/16DIA*NICL	7	EA	
15	PD030006	CAPPED WASHER PAL NUT	2	EA	
16	PE010142	3" LOGO *BK**CHROME	2	EA	
16	PE010143	3" LOGO, BK/BR	1	EA	
17	PD020073	SRW NO.10 X 24 X 3/8 WAFER HD TYPE23	1	EA	

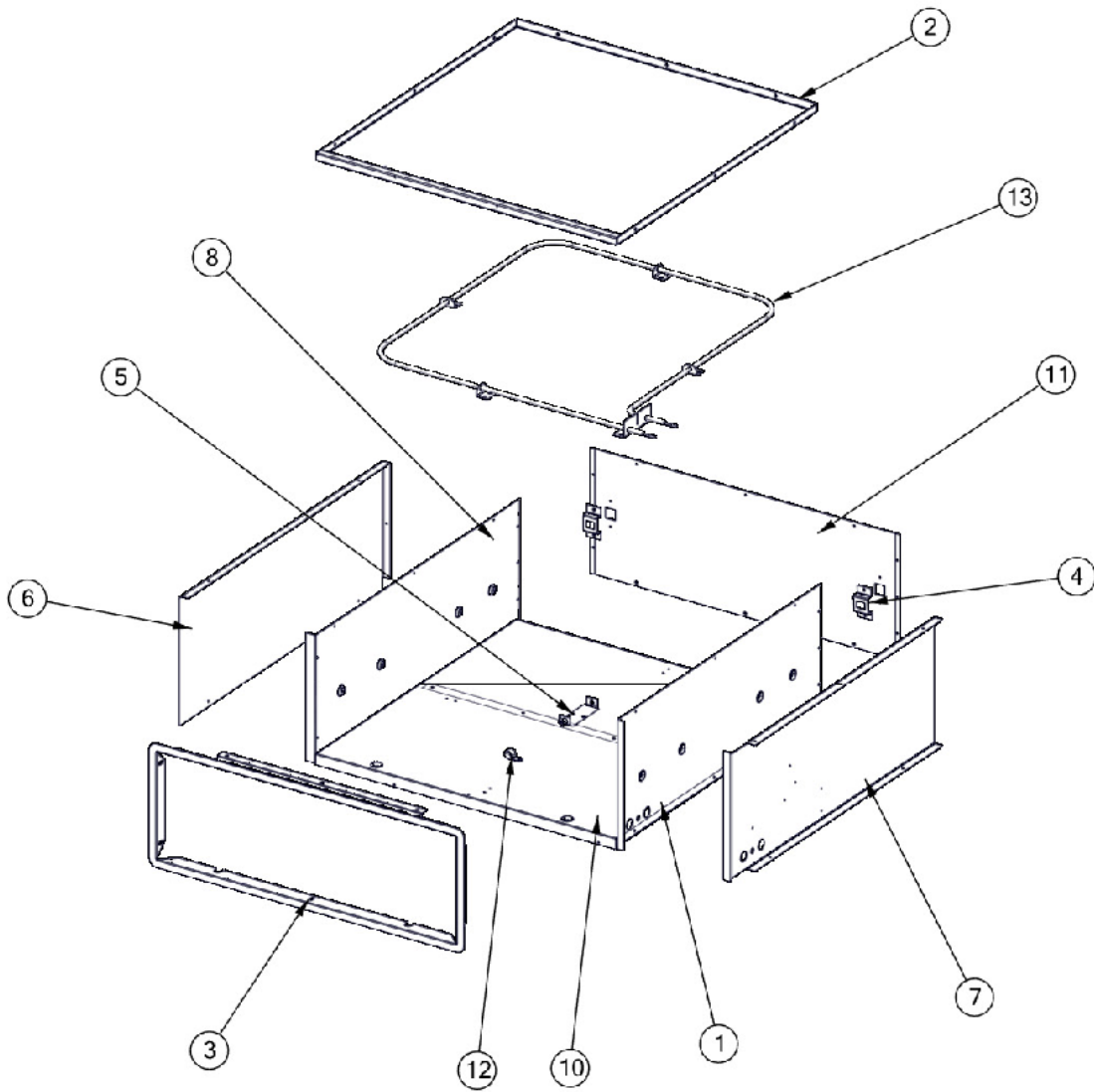
DRAWER





Item	Part No.	Name	Qty	Uom	NOTES
1	005087-000	30" WARMING DRWER	1	EA	
2	B20015248	WARMING DRAWER BACK (30")	1	EA	
3	026496-000	30 WD FRONT RACK	1	EA	
3	026497-000	30 WD REAR RACK W/MOISTURE BOWL OPENING	1	EA	
4	PA030005	6OZ. STAINLESS STEEL BOWL (6960)	1	EA	
5	PC020022	WARMING DRAWER SLIDES	2	EA	
6	PD950012	STRIKE PANEL ACCESS	2	EA	
7	PC040019	POP RIVET (0.125 GR X 0.156 DIA)	8	EA	

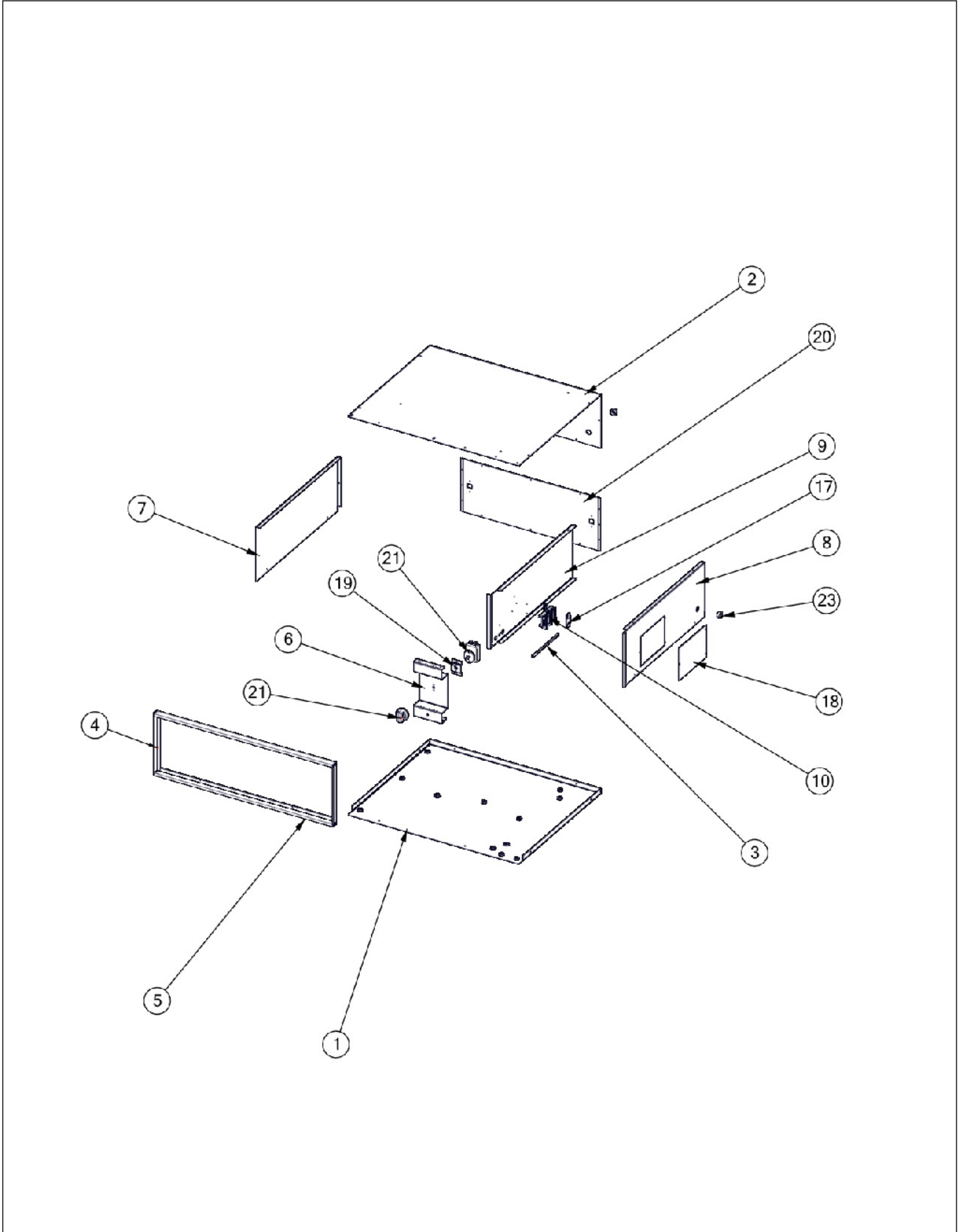
INNER CABINET





Item	Part No.	Name	Qty	Uom	NOTES
1	004646-000	RH INNER WALL	1	EA	
2	005026-000	30" I/S TOP PANEL VEWD103	1	EA	Not available online / Call for pricing and availability
3	005488-000	30" WD GASKET FRAME VEWD103	1	EA	
4	B2004141	BRACKET	2	EA	
5	024166-000	THERMOBULB BRACKET	1	EA	
6	026133-000	VEWD 5-SERIES LH O/S SIDE	1	EA	
7	026135-000	VEWD 5-SERIES INSULATION PANEL	1	EA	
8	026793-000	VEWD 5-SERIES LH I/S SIDE	1	EA	
<p>Comments for Part Num. 026793-000</p> <p>crystal@knservice.com on Jul 21, 2016</p> <p>Number 6 on the diagram says part number 026793-000 which is not correct. Can you update with correct part number for water valve.?</p>					
9	A2007075	30"" WARMING DRAWER BRKT	1	EA	NO LONGER AVAILABLE
11	B20015248	WARMING DRAWER BACK (30")	1	EA	
10	B20015280	BOTTOM INSIDE PANEL - 30" (VEWD)	1	EA	
12	PD030148	CLAMP CABLE ALUMINUM .500 DIA.	2	EA	
13	PJ010009	ELEMENT - 30" (VEWD)	1	EA	

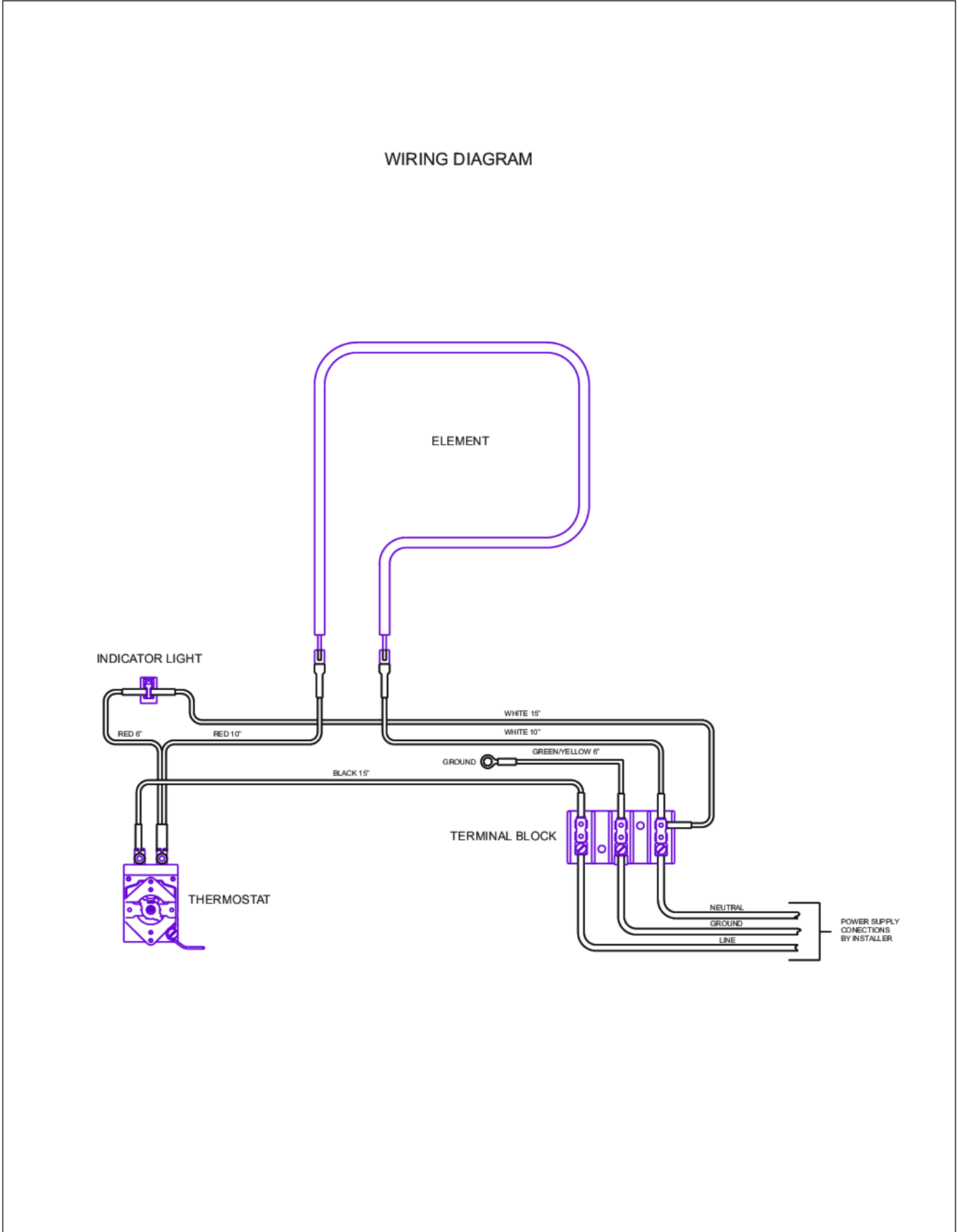
OUTER CABINET





Item	Part No.	Name	Qty	Uom	NOTES
1	002437-000	30" WARMING DRAWER BOTTOM AL	1	EA	
2	005489-000	30" OUTER TOP PANEL VEWD103	1	EA	
3	017211-000	INDICATOR LIGHT XL SNAP IN CLEAR LIGHT	1	EA	
4	025878-000	SIDE TRIM, VEWD527/530/536	2	EA	
5	025904-000	TRIM, TOP/BOTTOM, VEWD530	2	EA	
6	026124-000	VEWD 5-SERIES CONTROL PANEL	1	EA	
7	026133-000	VEWD 5-SERIES LH O/S SIDE	1	EA	
8	026134-000	VEWD 5-SERIES RH O/S SIDE	1	EA	
9	026135-000	VEWD 5-SERIES INSULATION PANEL	1	EA	
10	PE070147	TERMINAL BLOCK (VDSC)	1	EA	
17	A1002457	POWER CORD MOUNTING STRAP (VDSC)	1	EA	
18	A1004135	ACCESS PLATE (VEWD)	1	EA	
19	A2006075	THERMOSTAT SPACER, DESIGNER	1	EA	Not available online / Call for pricing and availability
20	B2004176	REAR INSIDE PANEL - 30" (VEWD)	1	EA	NO LONGER AVAILABLE
21	PB010167	THERMOSTAT	1	EA	
22	PD020043	#6-32 X .750 PH. CTRSK T(F)- VGSO166	8	EA	
23	PD040005	SNAP BUSHING, 7/8"	2	EA	
24	PB010278	T/STAT KNOB-*BK* (B-IN OVEN)	1	EA	
NI	PB070072	WARMING DRAWER GASKET 6'/UNIT	1	EA	
NI	017509-000	WIRING HARNESS, DEWD102	1	EA	

WIRING DIAGRAM





Appendix A:Pages Index

DOOR 1
DRAWER 2
INNER CABINET 3
OUTER CABINET 4
WIRING DIAGRAM 5



Appendix B:Parts Index

002437-000	4	027022-013	1
003931-000	1	027022-015	1
004646-000	3	027022-016	1
004907-000	1	027022-017	1
005026-000	3	027022-018	1
005087-000	2	027022-019	1
005488-000	3	027022-020	1
005489-000	4	027022-021	1
015174-000	1	027022-022	1
017211-000	4	027022-023	1
017509-000	4	027022-024	1
023998-000	1	027022-025	1
024166-000	3	027022-026	1
025186-000	1	027022-027	1
025186-100	1	030823-000	1
025187-000	1	A1002457	4
025187-100	1	A1004135	4
025878-000	4	A2006075	4
025904-000	4	A2007075	3
026117-000	1	B20015248	2, 3
026118-000	1	B20015280	3
026124-000	4	B2004141	3
026133-000	3, 4	B2004176	4
026134-000	4	PA010072	1
026135-000	3, 4	PA030005	2
026172-000	1	PB010167	4
026216-000	1	PB010278	4
026217-000	1	PB070072	4
026496-000	2	PC020022	2
026497-000	2	PC040019	2
026793-000	3	PD020032	1
027022-002	1	PD020043	4
027022-003	1	PD020073	1
027022-004	1	PD030006	1
027022-005	1	PD030148	3
027022-006	1	PD040005	4
027022-008	1	PD950012	2
027022-009	1	PE010142	1
027022-010	1	PE010143	1
027022-012	1	PE070147	4
		PJ010009	3