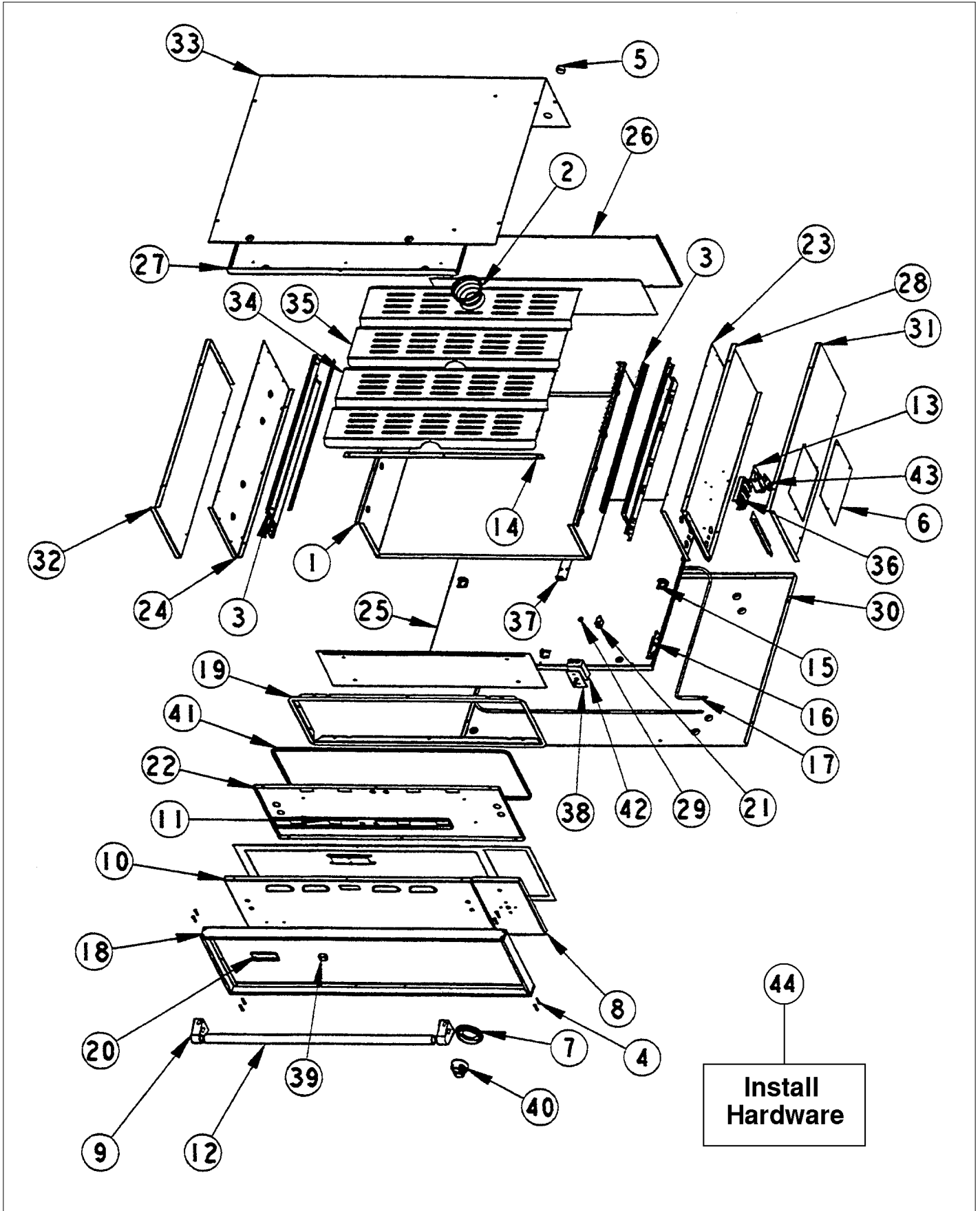


VEWD172

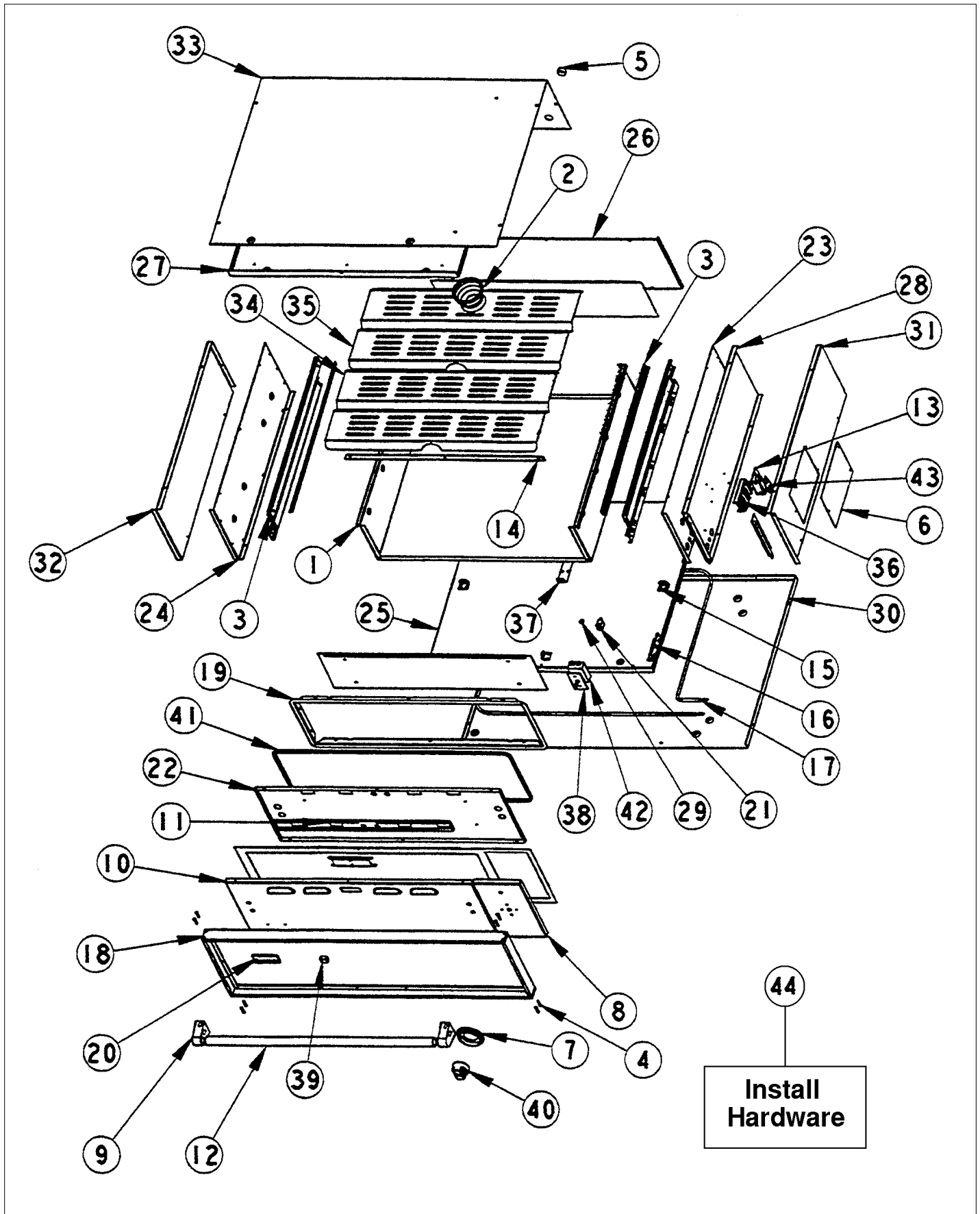
VEWD 172 WARMING DRAWER ASSY	1
Appendix A:Pages Index	A
Appendix B:Parts Index	B

VEWD 172 WARMING DRAWER ASSY



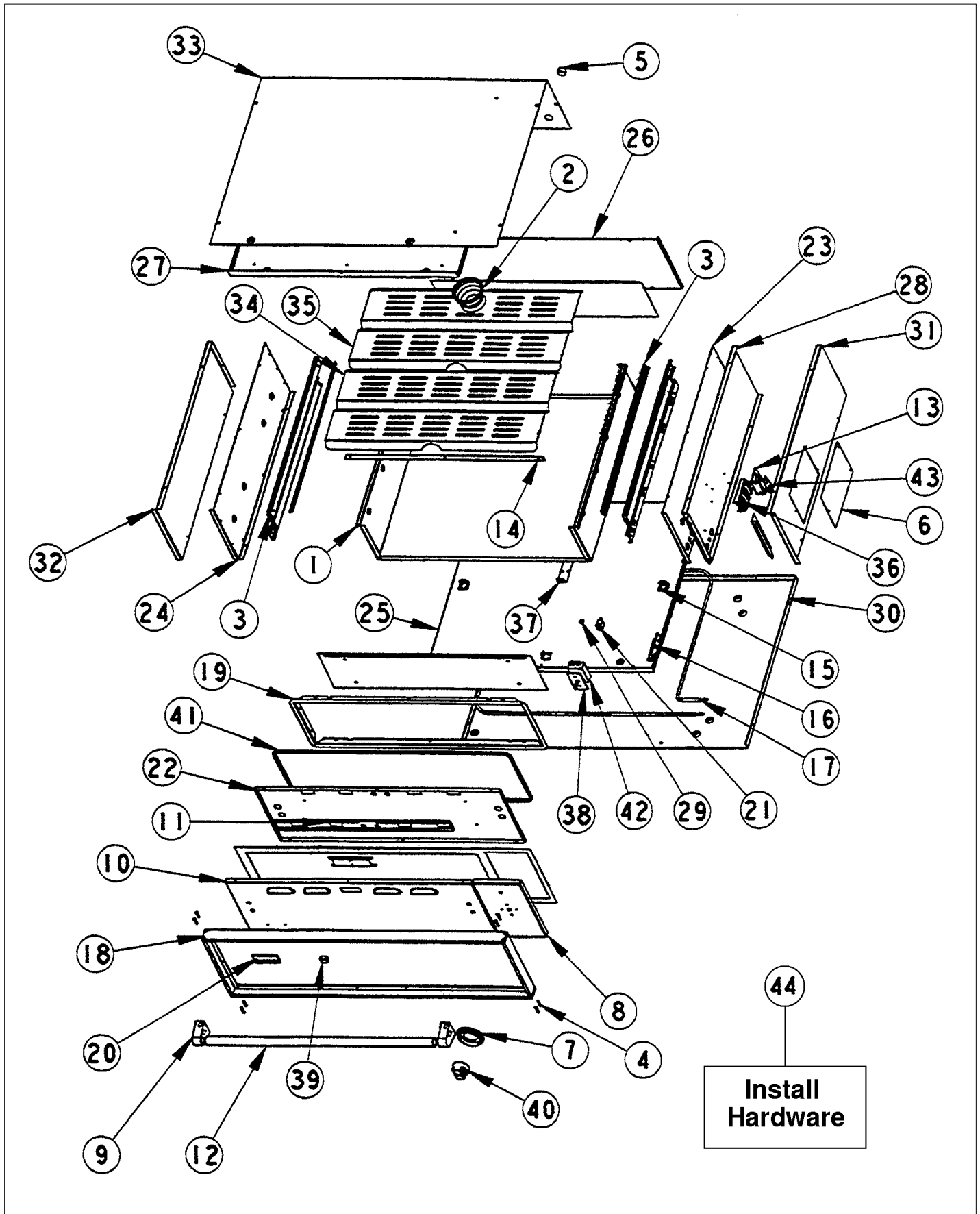


Item	Part No.	Name	Qty	Uom	NOTES
1	G3004144	WARMING DRAWER WELD ASSY - (27")	1	EA	NO LONGER AVAILABLE
2	PA030005	6OZ. STAINLESS STEEL BOWL (6960)	1	EA	
3	PC020022	WARMING DRAWER SLIDES	1	EA	
4	PD020150	' #6 X 1/2 PH. CT. SK. SMS. ""SS""	1	EA	
5	PD040005	SNAP BUSHING - 7/8"	1	EA	
6	A1004135	ACCESS PLATE (VEWD)	1	EA	
7	050172-000	BEZEL, KNOB	1	EA	
Not Shown	PB010172	BEZEL NEW BR REPL PB010107	1	EA	
8	B9204178	CTRL PAN)SLK SCR) *SS* (VEWD102)	1	EA	
Not Shown	G9004191AL	CTRL PAN (PAINTED) *AL* (VEWD102)	1	EA	NO LONGER AVAILABLE, Not available online / Call for pricing and availability
Not Shown	C9204178BK	CTRL PAN (SLK SCR) *BK* (VEWD102)	1	EA	NO LONGER AVAILABLE
Not Shown	C9204178BT	CTRL PAN VEWD102/172BT*SLKSCREEN*	1	EA	NO LONGER AVAILABLE, Not available online / Call for pricing and availability
Not Shown	C9204178BU	CTRL PAN (SLK SCR) *BU* (VEWD102)	1	EA	NO LONGER AVAILABLE, Not available online / Call for pricing and availability
Not Shown	C9204178CB	CTRL PAN VEWD102/172CB*SLKSCREEN*	1	EA	NO LONGER AVAILABLE, Not available online / Call for pricing and availability
Not Shown	C9204178EP	CTRL PAN VEWD102/172EP*SLKSCREEN*	1	EA	NO LONGER AVAILABLE, Not available online / Call for pricing and availability
Not Shown	C9204178FG	CTRL PAN (SLK SCR) *FG* (VEWD102)	1	EA	NO LONGER AVAILABLE, Not available online / Call for pricing and availability

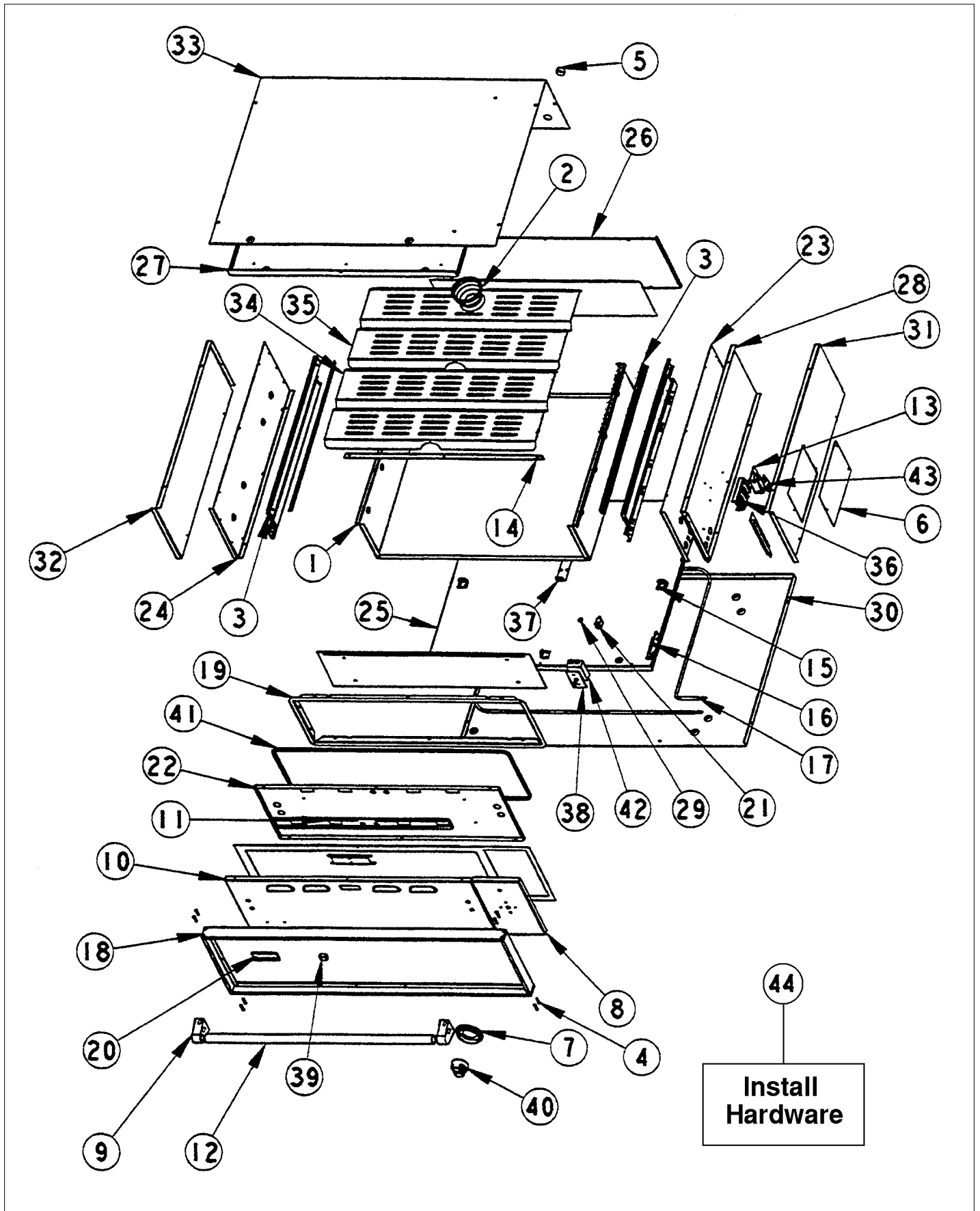




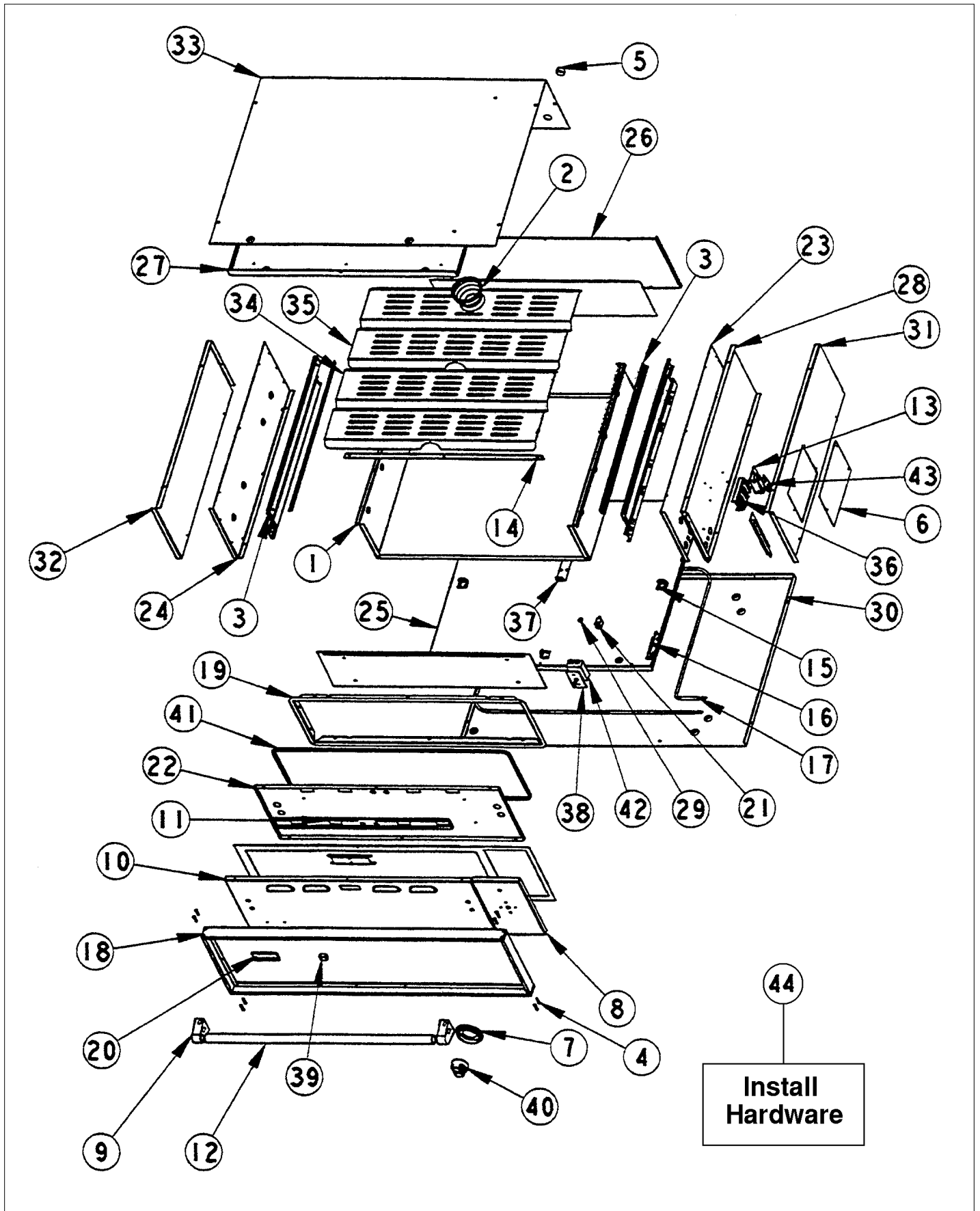
Item	Part No.	Name	Qty	Uom	NOTES
Not Shown	C9204178GG	CTRL PAN (SLK SCR) *GG* (VEWD102)	1	EA	NO LONGER AVAILABLE, Not available online / Call for pricing and availability
Not Shown	C9204178LE	CTRL PAN VEWD102/172LE*SLKSCREEN*	1	EA	NO LONGER AVAILABLE
Not Shown	C9204178LN	CTRL PAN (SLK SCR) *LN* (VEWD102)	1	EA	NO LONGER AVAILABLE, Not available online / Call for pricing and availability
Not Shown	C9204178MJ	CTRL PAN VEWD102/172MJ*SLKSCREEN*	1	EA	NO LONGER AVAILABLE, Not available online / Call for pricing and availability
Not Shown	C9204178PL	CTRL PAN (SLK SCR) *PL* (VEWD102)	1	EA	NO LONGER AVAILABLE, Not available online / Call for pricing and availability
Not Shown	C9204178SG	CTRL PAN VEWD102/172SG*SLKSCREEN*	1	EA	NO LONGER AVAILABLE, Not available online / Call for pricing and availability
Not Shown	C9204178VB	CTRL PAN (SLK SCR) *VB* (VEWD102)	1	EA	NO LONGER AVAILABLE, Not available online / Call for pricing and availability
Not Shown	C9204178WH	CTRL PAN (SLK SCR) *WH* (VEWD102)	1	EA	NO LONGER AVAILABLE
9	000268-000	HANDLE ENDCAP	1	EA	
Not Shown	PE030001PVD	END CAP DOOR HANDLE *BR	1	EA	
10	B9204183	O/S DOOR PANEL *SLK SCREEN* VEWD172	1	EA	
Not Shown	C9204183AL	27" O/S DOOR PNL *AL* SLKSCREEN	1	EA	NO LONGER AVAILABLE, Not available online / Call for pricing and availability
Not Shown	C9204183BK	27" O/S DOOR PNL *BK* SLKSCREEN	1	EA	NO LONGER AVAILABLE, Not available online / Call for pricing and availability



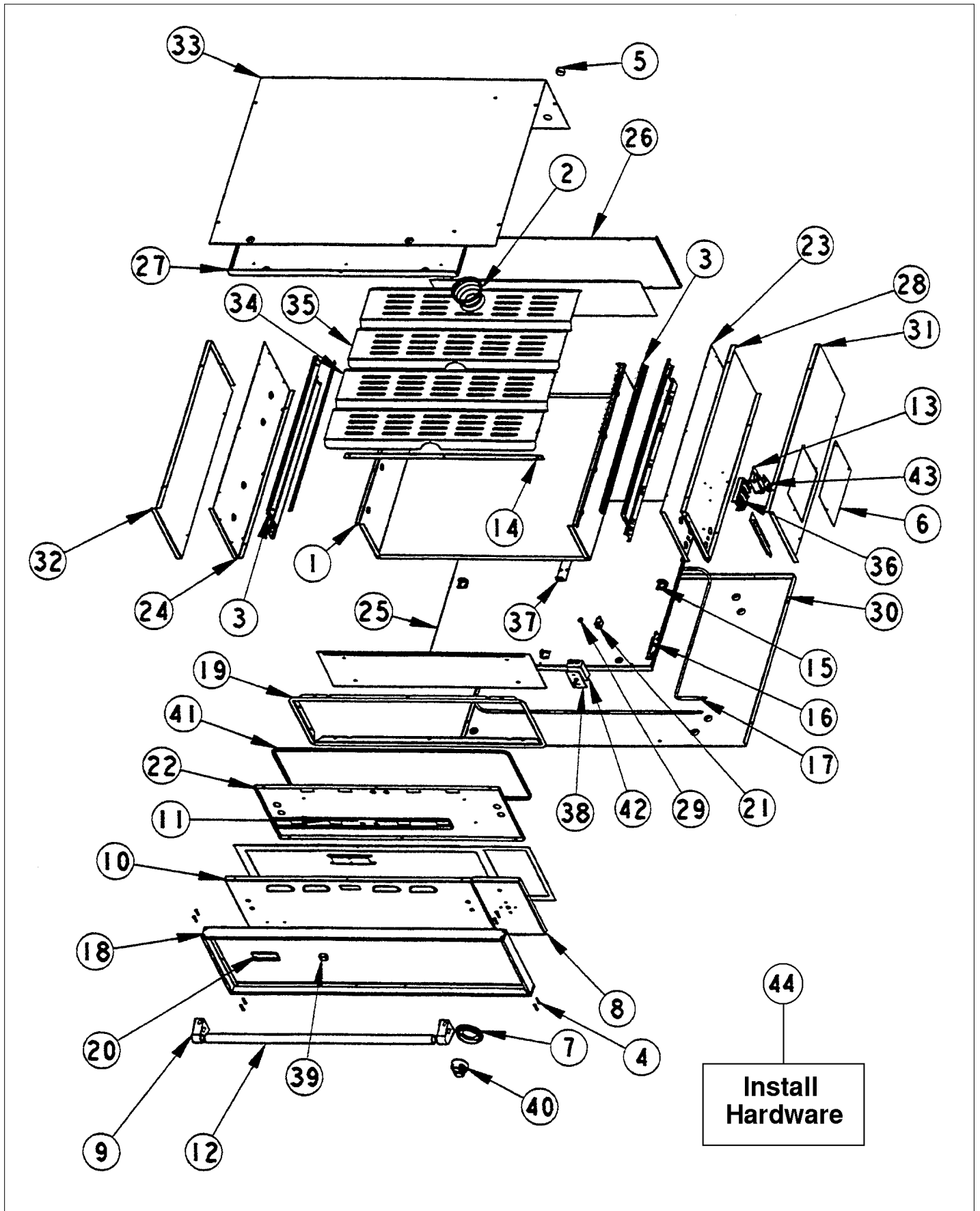
Item	Part No.	Name	Qty	Uom	NOTES
Not Shown	C9204183BT	27" O/S DOOR PNL *BT* SLKSCREEN	1	EA	NO LONGER AVAILABLE, Not available online / Call for pricing and availability
Not Shown	C9204183BU	27" O/S DOOR PNL *BU* SLKSCREEN	1	EA	NO LONGER AVAILABLE
Not Shown	C9204183CB	27" O/S DOOR PNL *CB* SLKSCREEN	1	EA	NO LONGER AVAILABLE, Not available online / Call for pricing and availability
Not Shown	C9204183EP	27" O/S DOOR PNL *EP* SLKSCREEN	1	EA	NO LONGER AVAILABLE, Not available online / Call for pricing and availability
Not Shown	C9204183FG	27" O/S DOOR PNL *FG* SLKSCREEN	1	EA	NO LONGER AVAILABLE, Not available online / Call for pricing and availability
Not Shown	C9204183GG	27" O/S DOOR PNL *GG* SLKSCREEN	1	EA	NO LONGER AVAILABLE, Not available online / Call for pricing and availability
Not Shown	C9204183LE	27" O/S DOOR PNL *LE* SLKSCREEN	1	EA	NO LONGER AVAILABLE, Not available online / Call for pricing and availability
Not Shown	C9204183LN	27" O/S DOOR PNL *LN* SLKSCREEN	1	EA	NO LONGER AVAILABLE, Not available online / Call for pricing and availability
Not Shown	C9204183MJ	27" O/S DOOR PNL *MJ* SLKSCREEN	1	EA	NO LONGER AVAILABLE, Not available online / Call for pricing and availability
Not Shown	C9204183PL	27" O/S DOOR PNL *PL* SLKSCREEN	1	EA	NO LONGER AVAILABLE, Not available online / Call for pricing and availability
Not Shown	C9204183SG	27" O/S DOOR PNL *SG* SLKSCREEN	1	EA	NO LONGER AVAILABLE, Not available online / Call for pricing and availability
Not Shown	C9204183VB	27" O/S DOOR PNL *VB* SLKSCREEN	1	EA	NO LONGER AVAILABLE



Item	Part No.	Name	Qty	Uom	NOTES
Not Shown	C9204183WH	27" O/S DOOR PNL *WH* SLKSCREEN	1	EA	NO LONGER AVAILABLE
11	G3004196	DOOR SLIDE ASSY (VEWD172)	1	EA	NO LONGER AVAILABLE
12	PE030060	WARMING DRAWER HANDLE SS VEWD172	1	EA	
Not Shown	PE030061	WM DRW HNDLE BR (18 19/32) VEWD172	1	EA	NO LONGER AVAILABLE
13	A2002195	POWER CORD MOUNTING BRKT (VDSC)	1	EA	
14	B2004125	DRAWER STOP 27"	1	EA	Not available online / Call for pricing and availability
15	B2004147	ELEMENT BRACKET (VEWD)	1	EA	
16	B2004141	BRACKET	1	EA	
17	PJ010010	ELEMENT - 27" (VEWD)	1	EA	
18	PE040083	TOP/BOTTOM TRIM - 27" (VEWD)	1	EA	NO LONGER AVAILABLE
19	B2004188	GASKET FRAME - (VEWD172)	1	EA	NO LONGER AVAILABLE
20	PE010142	3" VIKING LOGO BLACK/CHROME	1	EA	
Not Shown	PE010143	3" LOGO BK/BR	1	EA	
Not Shown	PE010144	3" LOGO *WH*CHROME	1	EA	NO LONGER AVAILABLE
Not Shown	PE010145	LOGO - WH / BR	1	EA	
21	PE050024	OVEN IND. LIGHT (LIGHT HOUSING)	1	EA	
<p>Comments for Part Num. PE050024</p> <p>haarnink@vikingrange.com on Jan 14, 2019</p> <p>please note that the indicator light is now part 043135-000 but needs the Jumper harness 051443-000. and second option there are units in the field with a 230V indicator light part number 036566-000.</p> <p>please check this for all "E" module ranges/Tops</p>					
22	B2004187	INSIDE DOOR PANEL - 27" (VEWD)	1	EA	NO LONGER AVAILABLE, Not available online / Call for pricing and availability



Item	Part No.	Name	Qty	Uom	NOTES
23	B2004151	INSIDE PANEL RH (VEWD)	1	EA	NO LONGER AVAILABLE
24	B2004152	INSIDE PANEL LH (VEWD)	1	EA	NO LONGER AVAILABLE
25	B2004185	BOTTOM INSIDE PANEL - 27" (VEWD)	1	EA	NO LONGER AVAILABLE, Not available online / Call for pricing and availability
26	B2004180	REAR INSIDE PANEL - 27" (VEWD)	1	EA	NO LONGER AVAILABLE, Not available online / Call for pricing and availability
27	B2004186	TOP INSIDE PANEL - 27" (VEWD)	1	EA	NO LONGER AVAILABLE, Not available online / Call for pricing and availability
28	A2004160	INSULATION PANEL	1	EA	Not available online / Call for pricing and availability
29	PE050023	OVEN IND. LIGHT (LENS & BEZEL)	1	EA	
30	A2004181	BOTTOM OUTER PANEL	1	EA	Not available online / Call for pricing and availability
31	A2004157	OUTER SIDE PANEL - RH	1	EA	Not available online / Call for pricing and availability
32	A2004158	OUTER SIDE PANEL - LH	1	EA	Not available online / Call for pricing and availability
33	A2004182	OUTER TOP PANEL	1	EA	Not available online / Call for pricing and availability
34	B2003180	FRONT RACK - (VEWD172)	1	EA	
35	B2003181	REAR RACK - (VEWD172)	1	EA	
36	PE070147	TERMINAL BLOCK (VDSC)	1	EA	
37	B2004148	THERMAL BULB BRKT (VEWD)	1	EA	
38	B1004146	THERMOSTAT SPACER (VEWD)	1	EA	NO LONGER AVAILABLE
39	PA010072	MOISTURE SELECTOR KNOB *BK* (VEWD)	1	EA	





Item	Part No.	Name	Qty	Uom	NOTES
Not Shown	PA010073	MOISTURE SELECTOR KNOB *WH* (VEWD)	1	EA	
40	PB010168	T/STAT KB BK REPL PW100008BK	1	EA	
Not Shown	PB010169	THERMOSTAT KNOB *WH* (VEWD)	1	EA	
41	PB070072	WARMING DRAWER GASKET 6'/UNIT	1	EA	
42	PB010167	THERMOSTAT	1	EA	
43	A1002457	POWER CORD MOUNTING STRAP (VDSC)	1	EA	
NI	G4004149	WIRE HARNESS (VEWD)	1	EA	NO LONGER AVAILABLE, Not available online / Call for pricing and availability
NI	G4004150	SUB TO PE070377 - WIRE HARNESS (VEWD)	1	EA	NO LONGER AVAILABLE, Not available online / Call for pricing and availability
NI	G4004197	WIRE HARNESS (VEWD)	1	EA	NO LONGER AVAILABLE, Not available online / Call for pricing and availability
NI	G4004198	WIRE HARNESS (VEWD)	1	EA	NO LONGER AVAILABLE, Not available online / Call for pricing and availability
NI	G4004199	WIRE HARNESS (VEWD)	1	EA	NO LONGER AVAILABLE, Not available online / Call for pricing and availability
NI	PD950012	STRIKE PANEL ACCESS	1	EA	
NI	PD950013	LATCH PANEL ACCESS	1	EA	



Appendix A:Pages Index

VEWD 172 WARMING DRAWER ASSY 1



Appendix B:Parts Index

000268-000	1	C9204183AL	1
050172-000	1	C9204183BK	1
A1002457	1	C9204183BT	1
A1004135	1	C9204183BU	1
A2002195	1	C9204183CB	1
A2004157	1	C9204183EP	1
A2004158	1	C9204183FG	1
A2004160	1	C9204183GG	1
A2004181	1	C9204183LE	1
A2004182	1	C9204183LN	1
B1004146	1	C9204183MJ	1
B2003180	1	C9204183PL	1
B2003181	1	C9204183SG	1
B2004125	1	C9204183VB	1
B2004141	1	C9204183WH	1
B2004147	1	G3004144	1
B2004148	1	G3004196	1
B2004151	1	G4004149	1
B2004152	1	G4004150	1
B2004180	1	G4004197	1
B2004185	1	G4004198	1
B2004186	1	G4004199	1
B2004187	1	G9004191AL	1
B2004188	1	PA010072	1
B9204178	1	PA010073	1
B9204183	1	PA030005	1
C9204178BK	1	PB010167	1
C9204178BT	1	PB010168	1
C9204178BU	1	PB010169	1
C9204178CB	1	PB010172	1
C9204178EP	1	PB070072	1
C9204178FG	1	PC020022	1
C9204178GG	1	PD020150	1
C9204178LE	1	PD040005	1
C9204178LN	1	PD950012	1
C9204178MJ	1	PD950013	1
C9204178PL	1	PE010142	1
C9204178SG	1	PE010143	1
C9204178VB	1	PE010144	1
C9204178WH	1	PE010145	1
		PE030001PVD	1



PE030060	1
PE030061	1
PE040083	1
PE050023	1
PE050024	1
PE070147	1
PJ010010	1