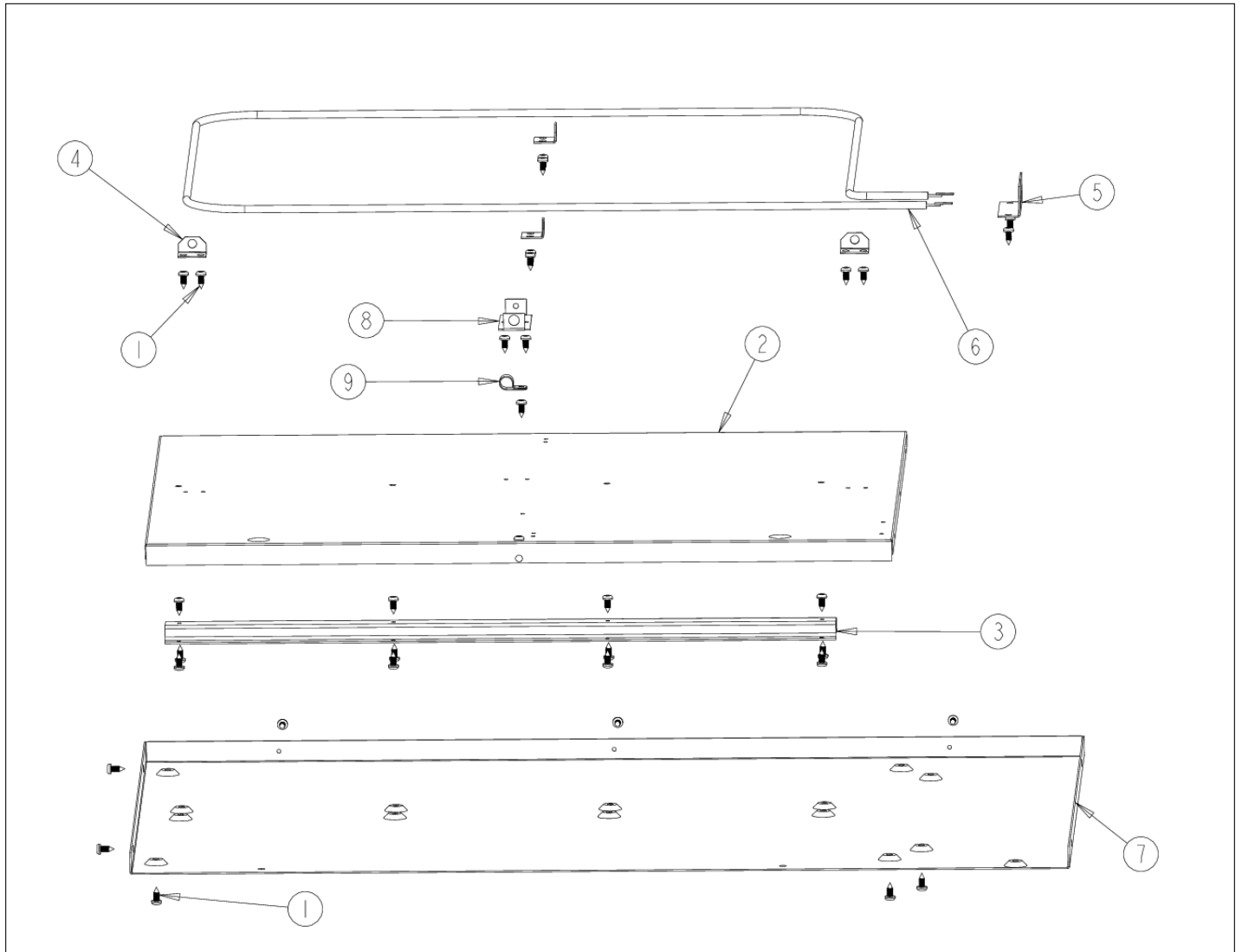


VEWD163

BOTTOM AREA	1
CONTROL AREA	2
DOOR ASSEMBLY	3
DRAWER AREA	4
EXTERIOR AREA	5
Appendix A:Pages Index	A
Appendix B:Parts Index	B

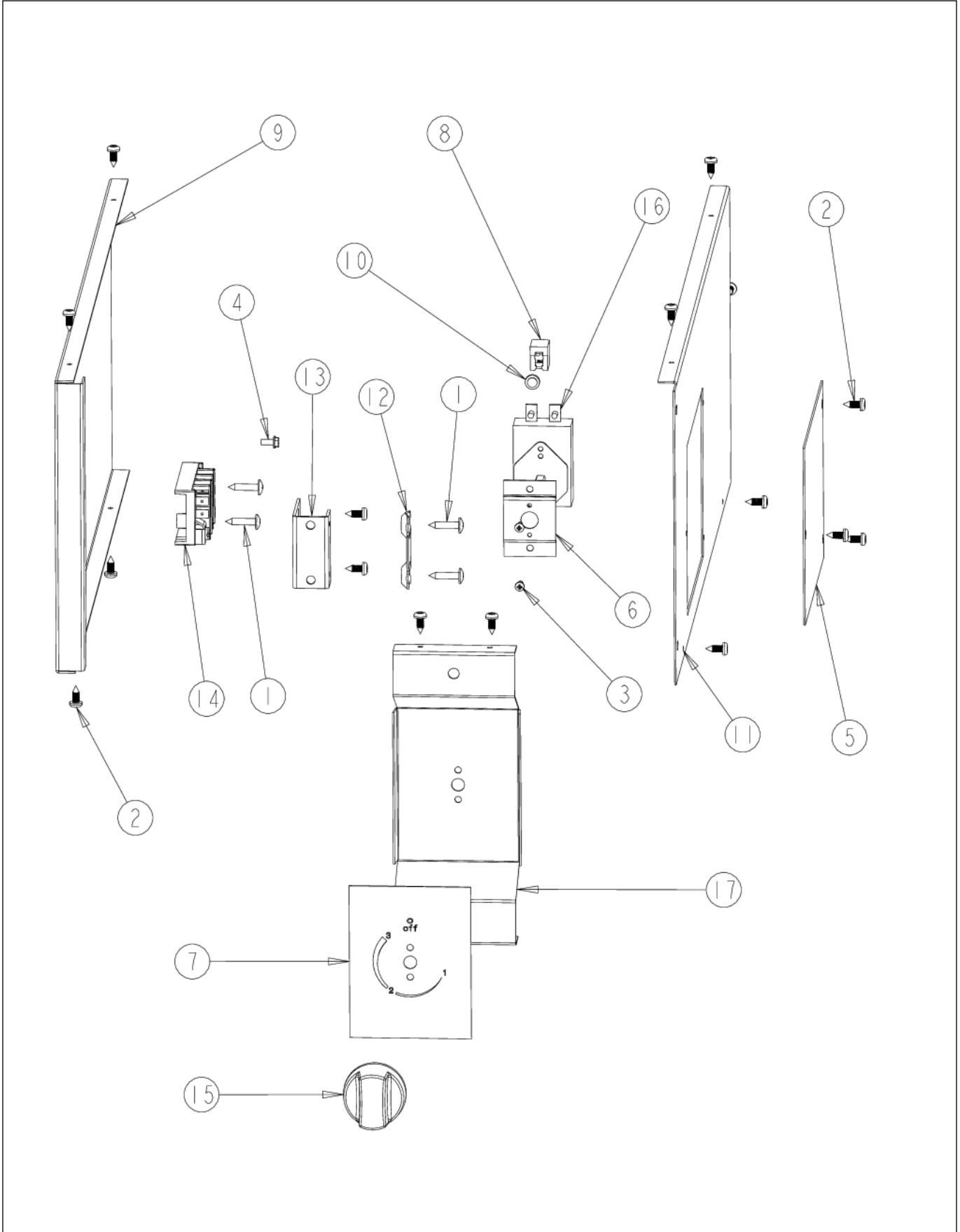
BOTTOM AREA



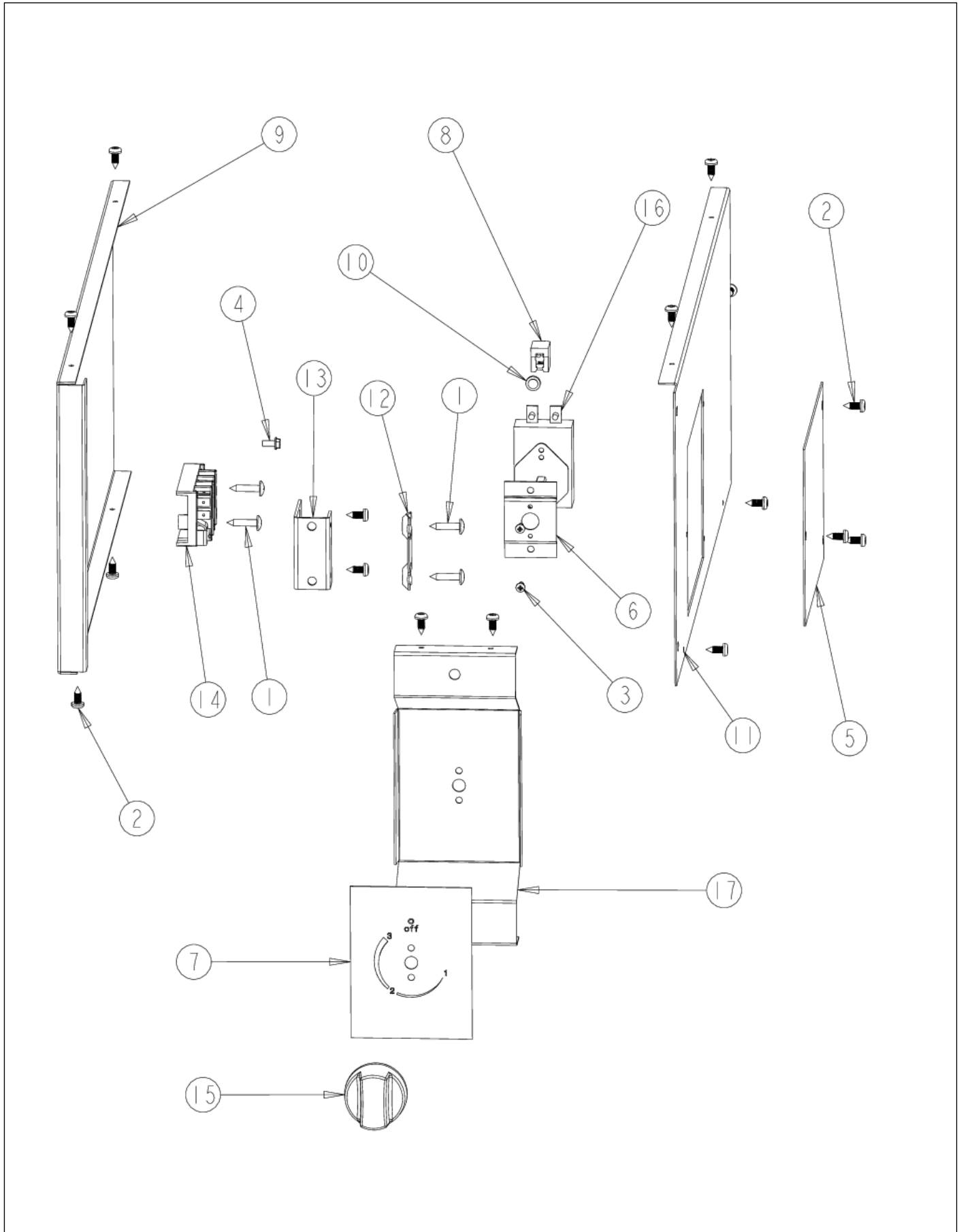


Item	Part No.	Name	Qty	Uom	NOTES
1	PD020087	10 X 1/2 PAN PH. TEK ZINC	1	EA	
2	B2004153	BOTTOM INSIDE PANEL - 36" (VEWD)	1	EA	NO LONGER AVAILABLE, Not available online / Call for pricing and availability
3	A2007081	36"" WARMING DRAWER BRKT	1	EA	NO LONGER AVAILABLE, Not available online / Call for pricing and availability
4	B2004147	ELEMENT BRACKET (VEWD)	1	EA	
5	B2004141	BRACKET	1	EA	
6	PJ010008	ELEMENT - 36" (VEWD)	1	EA	
7	A2004155	WARMING DRAWER BOTTOM (162)	1	EA	Not available online / Call for pricing and availability
8	B2004148	THERMAL BULB BRKT (VEWD)	1	EA	
9	PD030009	CLAMP, AL-8 (.500")	1	EA	

CONTROL AREA



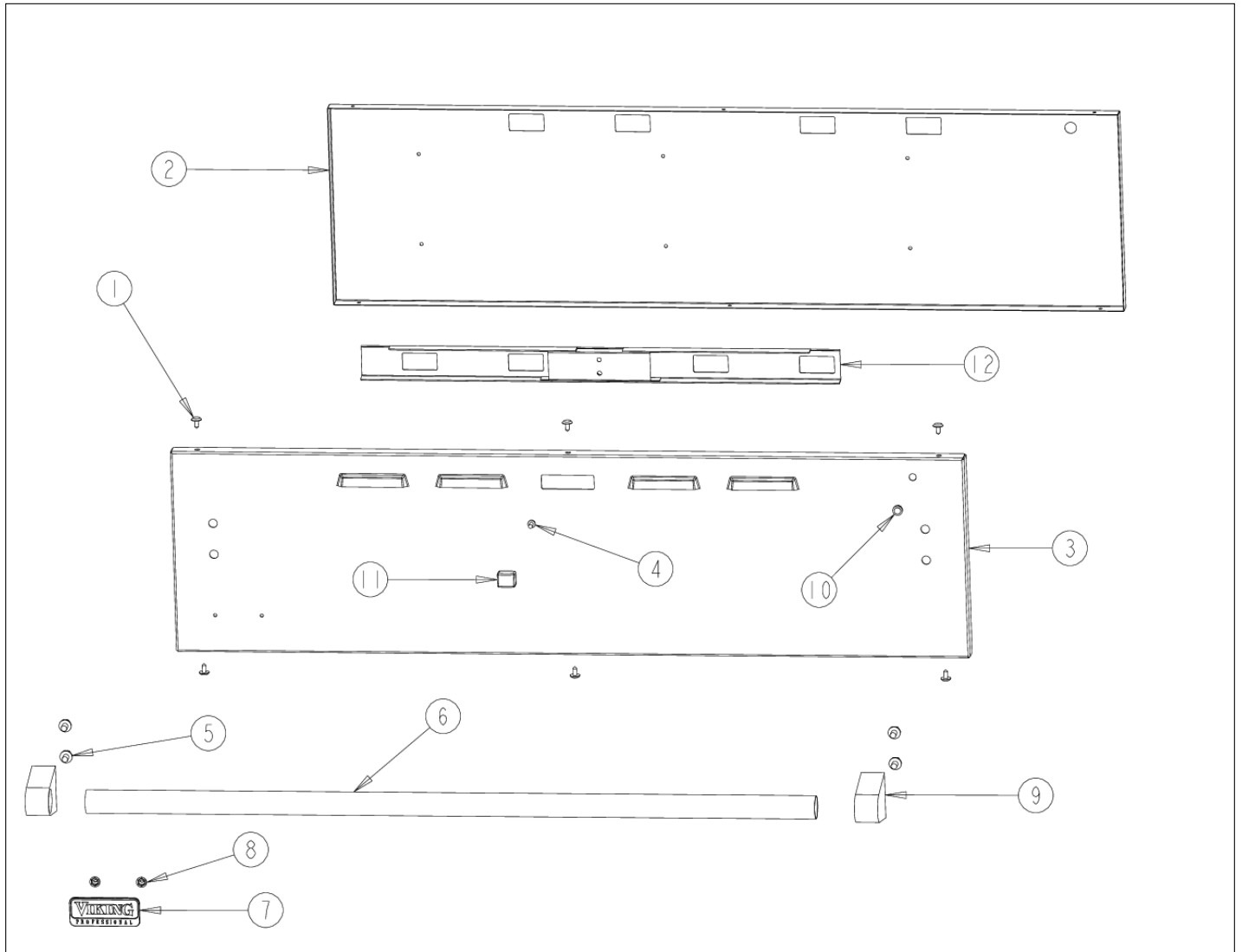
Item	Part No.	Name	Qty	Uom	NOTES
1	PD020009	10 X 1 PH. HD. PAN HD. SMS	1	EA	
2	PD020087	10 X 1/2 PAN PH. TEK ZINC	1	EA	
3	PD020076	6-32 X 3/8" PHILL PAN MS	1	EA	
4	PD020010	10 X 3/8 GREEN GROUNDING SCREW	1	EA	
5	A1004135	ACCESS PLATE (VEWD)	1	EA	
6	A2006075	THERMOSTAT SPACER, DESIGNER	1	EA	Not available online / Call for pricing and availability
7	PE040326	DEWD/VEWD CONTROL PANEL GRAPHIC	1	EA	
8	PE050024	OVEN IND. LIGHT (LIGHT HOUSING)	1	EA	
<p>Comments for Part Num. PE050024</p> <p>haarnink@vikingrange.com on Jan 14, 2019</p> <p>please note that the indicator light is now part 043135-000 but needs the Jumper harness 051443-000. and second option there are units in the field with a 230V indicator light part number 036566-000.</p> <p>please check this for all "E" module ranges/Tops</p>					
9	A20013478	INSULATION PANEL	1	EA	Not available online / Call for pricing and availability
10	PE050023	OVEN IND. LIGHT (LENS & BEZEL)	1	EA	
11	A20013479	O/S PANEL - RH	1	EA	Not available online / Call for pricing and availability
12	A1002457	POWER CORD MOUNTING STRAP (VDSC)	1	EA	
13	A2002195	POWER CORD MOUNTING BRKT (VDSC)	1	EA	
14	PE070147	TERMINAL BLOCK (VDSC)	1	EA	
15	PB010278	T/STAT KNOB-*BK* (B-IN OVEN)	1	EA	
15	PB010279	T/STAT KNOB-*WH* (B-IN OVEN)	1	EA	
16	PB010167	THERMOSTAT	1	EA	
17	B20013480	CONTROL PANEL *SS* (VEWD/DEWD)	1	EA	



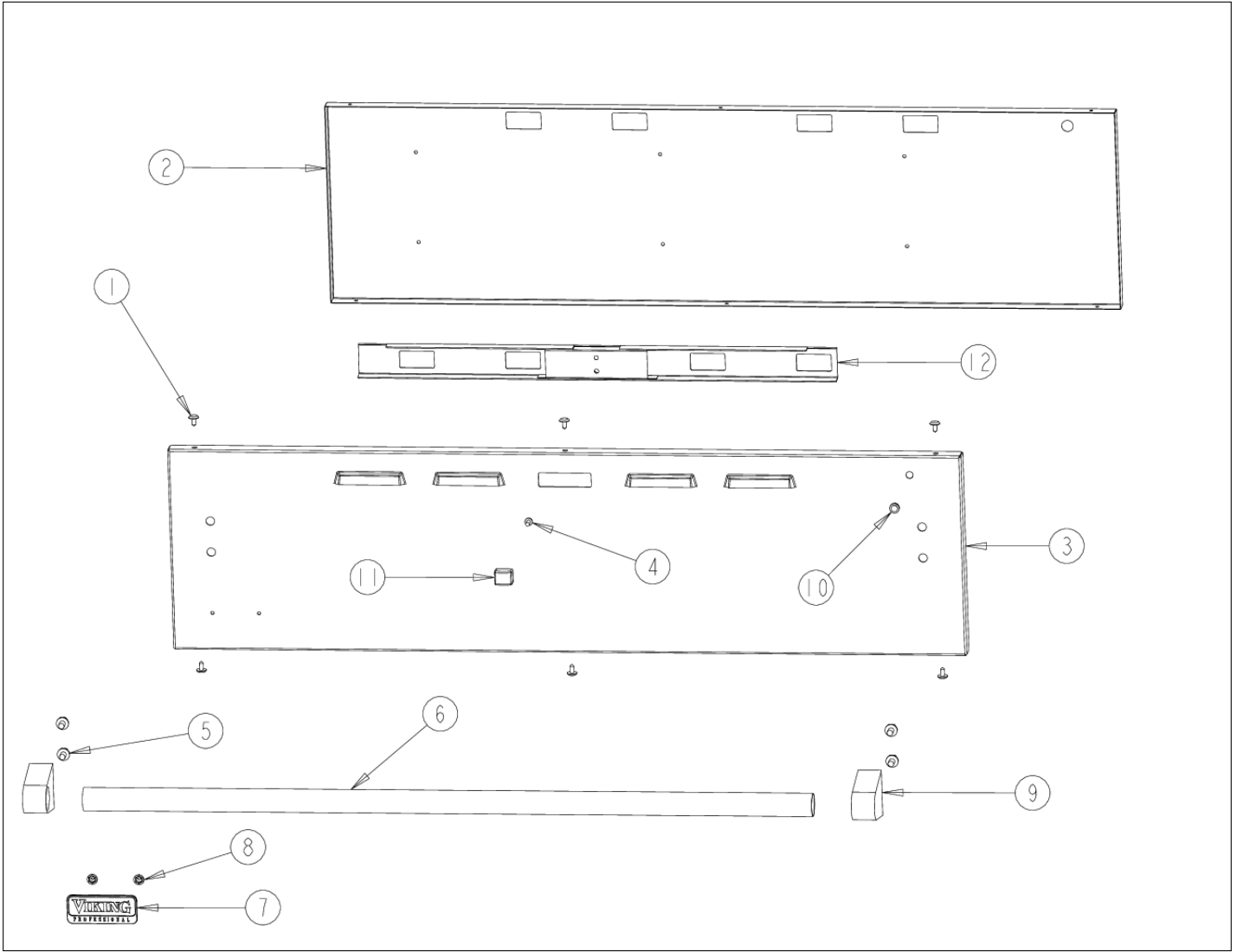


Item	Part No.	Name	Qty	Uom	NOTES
NI	003005-002	8 - 18 X 1/2 ZN TRIV W/#6 TRUSS AB TAPPING SCREW *BK*	2	EA	NO LONGER AVAILABLE, Not available online / Call for pricing and availability

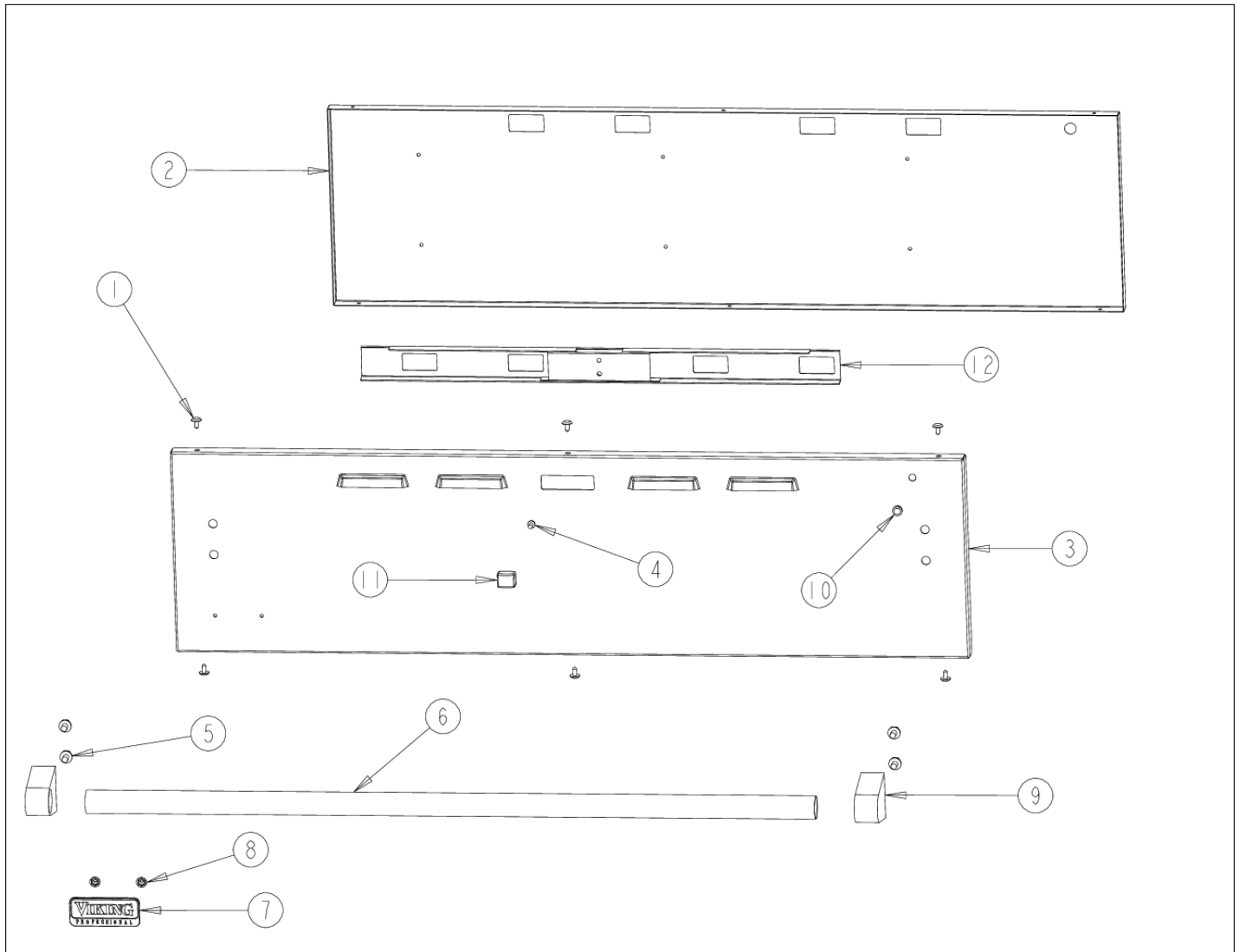
DOOR ASSEMBLY



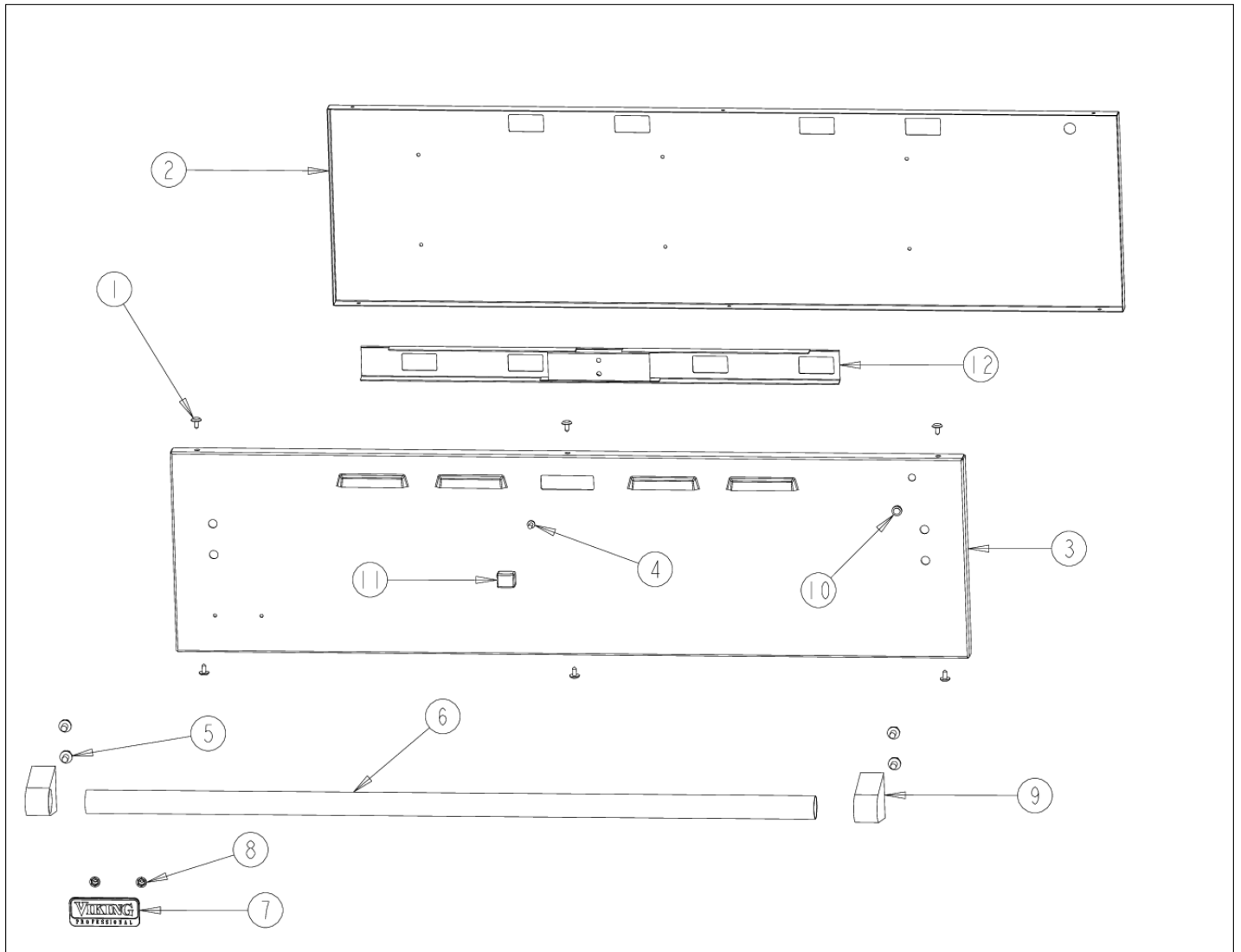
Item	Part No.	Name	Qty	Uom	NOTES
1	PD020032	SRW-8(A)X3/8"PH.WFR HD 7/16DIA*NICL	1	EA	
2	B20013438	I/S DOOR PANEL (VEWD163)	1	EA	NO LONGER AVAILABLE
3	B92013437	O/S DOOR PANEL *SLK SCREEN* (VEWD163)	1	EA	
3	C92013437AL	O/S DOOR PANEL *SLK SCREEN* *AL* (VEWD163)	1	EA	NO LONGER AVAILABLE, Not available online / Call for pricing and availability
3	C92013437BK	O/S DOOR PANEL *SLK SCREEN* *BK* (VEWD163)	1	EA	NO LONGER AVAILABLE, Not available online / Call for pricing and availability
3	C92013437BT	O/S DOOR PANEL *SLK SCREEN* *BT* (VEWD163)	1	EA	NO LONGER AVAILABLE, Not available online / Call for pricing and availability
3	C92013437BU	O/S DOOR PANEL *SLK SCREEN* *BU* (VEWD163)	1	EA	NO LONGER AVAILABLE, Not available online / Call for pricing and availability
3	C92013437CB	O/S DOOR PANEL *SLK SCREEN* *CB* (VEWD163)	1	EA	NO LONGER AVAILABLE, Not available online / Call for pricing and availability
3	C92013437EP	O/S DOOR PANEL *SLK SCREEN* *EP* (VEWD163)	1	EA	NO LONGER AVAILABLE, Not available online / Call for pricing and availability
3	C92013437FG	O/S DOOR PANEL *SLK SCREEN* *FG* (VEWD163)	1	EA	NO LONGER AVAILABLE, Not available online / Call for pricing and availability
3	C92013437GG	O/S DOOR PANEL *SLK SCREEN* *GG* (VEWD163)	1	EA	NO LONGER AVAILABLE, Not available online / Call for pricing and availability
3	C92013437LE	O/S DOOR PANEL *SLK SCREEN* *LE* (VEWD163)	1	EA	
3	C92013437MJ	O/S DOOR PANEL *SLK SCREEN* *MJ* (VEWD163)	1	EA	NO LONGER AVAILABLE, Not available online / Call for pricing and availability



Item	Part No.	Name	Qty	Uom	NOTES
3	C92013437SG	O/S DOOR PANEL *SLK SCREEN* *SG* (VEWD163)	1	EA	NO LONGER AVAILABLE, Not available online / Call for pricing and availability
3	C92013437VB	O/S DOOR PANEL *SLK SCREEN* *VB* (VEWD163)	1	EA	NO LONGER AVAILABLE, Not available online / Call for pricing and availability
3	C92013437WH	O/S DOOR PANEL *SLK SCREEN* *WH* (VEWD163)	1	EA	NO LONGER AVAILABLE, Not available online / Call for pricing and availability
4	PD020072	#8-32 X 3/8 PH PH MS (VEWD)	1	EA	
5	PD010019	BLT-1/4-20X3/8"HEX WASHER SERATED	1	EA	
6	PE030194	PROFESSIONAL WARMING DRAWER HANDLE (VEWD163) *SS*	1	EA	
6	PE030194PVD	PROFESSIONAL WARMING DRAWER HANDLE (VEWD163) *BR*	1	EA	NO LONGER AVAILABLE
7	PE010142	3" VIKING LOGO BLACK/CHROME	1	EA	
7	PE010143	3" LOGO BK/BR	1	EA	
7	PE010144	3" LOGO *WH*CHROME	1	EA	NO LONGER AVAILABLE
7	PE010145	LOGO - WH / BR	1	EA	
8	PD030006	CAPPED WASHER PAL NUT	1	EA	
9	000268-000	HANDLE ENDCAP	1	EA	
9	PE030001PVD	END CAP DOOR HANDLE *BR	1	EA	
10	PE050023	OVEN IND. LIGHT (LENS & BEZEL)	1	EA	
11	PA010072	MOISTURE SELECTOR KNOB *BK* (VEWD)	1	EA	
11	PA010073	MOISTURE SELECTOR KNOB *WH* (VEWD)	1	EA	
12	G30013431	DOOR SLIDE ASSY (VEWD103/163)	1	EA	
NI	G32013439AL	36" DOOR ASSEMBLY *AL* (VEWD163)	1	EA	NO LONGER AVAILABLE, Not available online / Call for pricing and availability

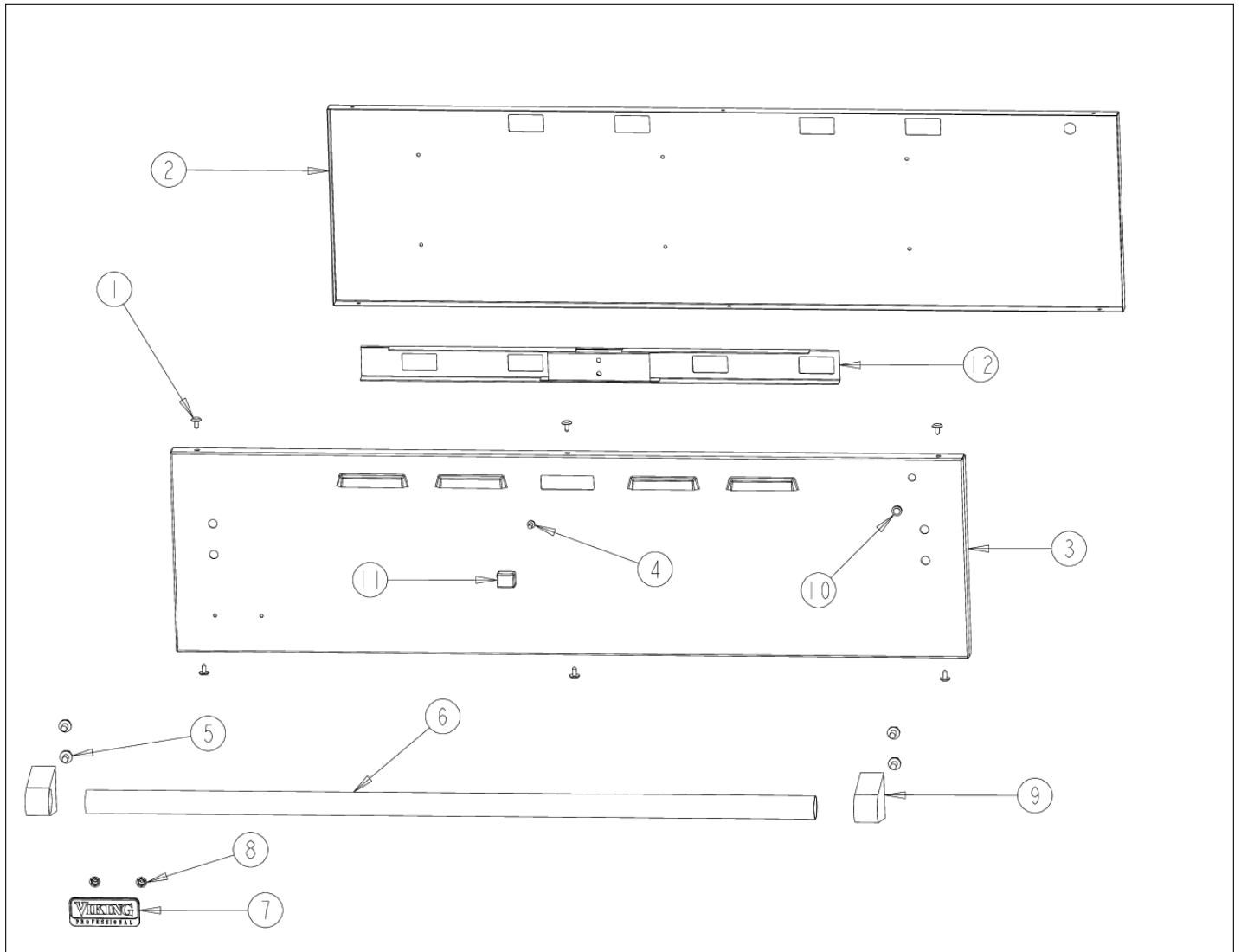


Item	Part No.	Name	Qty	Uom	NOTES
NI	G32013439ALBR	COMPLETE DOOR ASSY. - ALBR	1	EA	Not available online / Call for pricing and availability
NI	G32013439BK	36" DOOR ASSEMBLY *BK* (VEWD163)	1	EA	NO LONGER AVAILABLE, Not available online / Call for pricing and availability
NI	G32013439BKBR	COMPLETE DOOR ASSY. - BKBR	1	EA	Not available online / Call for pricing and availability
NI	G32013439BT	36" DOOR ASSEMBLY *BT* (VEWD163)	1	EA	NO LONGER AVAILABLE, Not available online / Call for pricing and availability
NI	G32013439BTBR	COMPLETE DOOR ASSY. - BTBR	1	EA	Not available online / Call for pricing and availability
NI	G32013439BU	36" DOOR ASSEMBLY *BU* (VEWD163)	1	EA	NO LONGER AVAILABLE, Not available online / Call for pricing and availability
NI	G32013439BUBR	COMPLETE DOOR ASSY. - BUBR	1	EA	Not available online / Call for pricing and availability
NI	G32013439CB	36" DOOR ASSEMBLY *CB* (VEWD163)	1	EA	NO LONGER AVAILABLE, Not available online / Call for pricing and availability
NI	G32013439CBBR	COMPLETE DOOR ASSY. - CBBR	1	EA	Not available online / Call for pricing and availability
NI	G32013439EP	36" DOOR ASSEMBLY *EP* (VEWD163)	1	EA	NO LONGER AVAILABLE, Not available online / Call for pricing and availability
NI	G32013439EPBR	COMPLETE DOOR ASSY. - EPBR	1	EA	Not available online / Call for pricing and availability
NI	G32013439FG	36" DOOR ASSEMBLY *FG* (VEWD163)	1	EA	NO LONGER AVAILABLE, Not available online / Call for pricing and availability





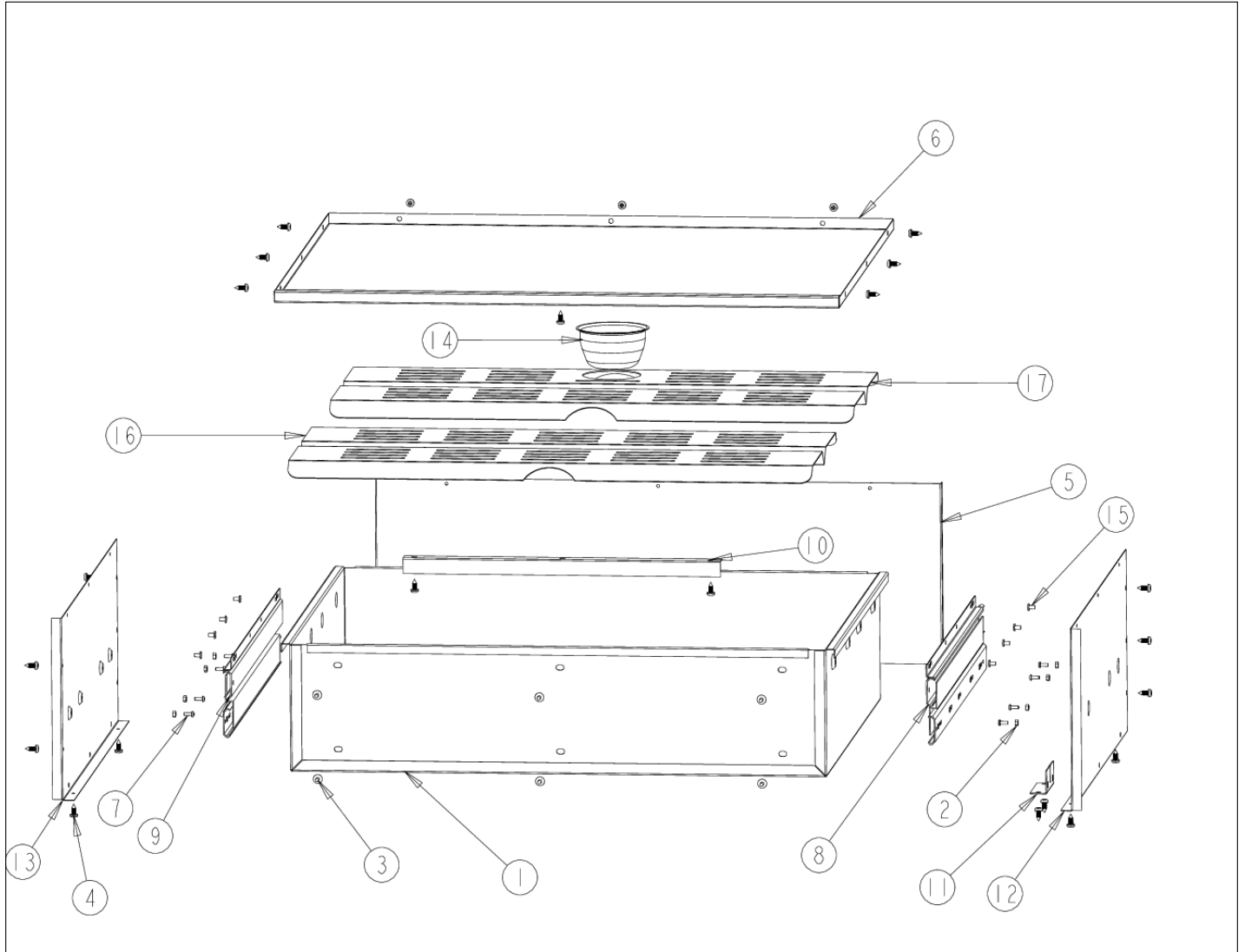
Item	Part No.	Name	Qty	Uom	NOTES
NI	G32013439FGBR	COMPLETE DOOR ASSY. - FGBR	1	EA	Not available online / Call for pricing and availability
NI	G32013439GG	36" DOOR ASSEMBLY *GG* (VEWD163)	1	EA	NO LONGER AVAILABLE, Not available online / Call for pricing and availability
NI	G32013439GGBR	COMPLETE DOOR ASSY. - GGBR	1	EA	Not available online / Call for pricing and availability
NI	G32013439LE	36" DOOR ASSEMBLY *LE* (VEWD163)	1	EA	NO LONGER AVAILABLE, Not available online / Call for pricing and availability
NI	G32013439LEBR	COMPLETE DOOR ASSY. - LEBR	1	EA	Not available online / Call for pricing and availability
NI	G32013439MJ	36" DOOR ASSEMBLY *MJ* (VEWD163)	1	EA	NO LONGER AVAILABLE, Not available online / Call for pricing and availability
NI	G32013439MJBR	COMPLETE DOOR ASSY. - MJBR	1	EA	Not available online / Call for pricing and availability
NI	G32013439SG	36" DOOR ASSEMBLY *SG* (VEWD163)	1	EA	NO LONGER AVAILABLE, Not available online / Call for pricing and availability
NI	G32013439SGBR	COMPLETE DOOR ASSY. - SGBR	1	EA	Not available online / Call for pricing and availability
NI	G32013439SS	36" DOOR ASSY (VEWD163)	1	EA	
NI	G32013439SSBR	COMPLETE DOOR ASSY. - SSBR	1	EA	Not available online / Call for pricing and availability
NI	G32013439VB	36" DOOR ASSEMBLY *VB* (VEWD163)	1	EA	NO LONGER AVAILABLE, Not available online / Call for pricing and availability





Item	Part No.	Name	Qty	Uom	NOTES
NI	G32013439VBBR	COMPLETE DOOR ASSY. - VBBR	1	EA	Not available online / Call for pricing and availability
NI	G32013439WH	36" DOOR ASSEMBLY *WH* (VEWD163)	1	EA	NO LONGER AVAILABLE, Not available online / Call for pricing and availability
NI	G32013439WHBR	COMPLETE DOOR ASSY. - WHBR	1	EA	Not available online / Call for pricing and availability
NI	PD950012	STRIKE PANEL ACCESS	1	EA	
NI	PD950013	LATCH PANEL ACCESS	1	EA	

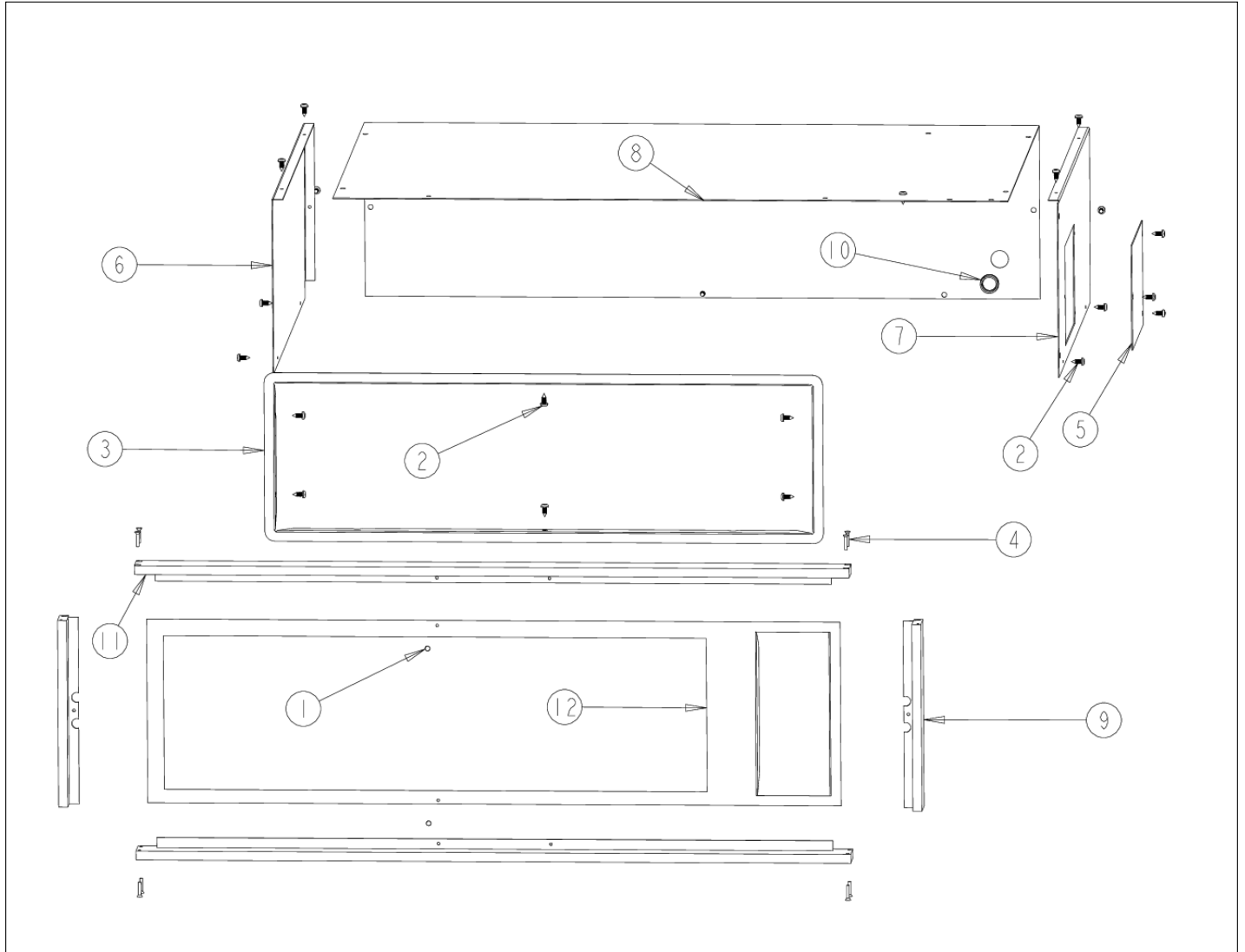
DRAWER AREA





Item	Part No.	Name	Qty	Uom	NOTES
1	G31015252	WARMING DRAWER ASSY (36")	1	EA	
2	PD030012	6-32 HEX NUT	1	EA	
3	PD020032	SRW-8(A)X3/8"PH.WFR HD 7/16DIA*NICL	1	EA	
4	PD020087	10 X 1/2 PAN PH. TEK ZINC	1	EA	
5	B2004154	REAR INSIDE PANEL - 36" (VEWD)	1	EA	NO LONGER AVAILABLE, Not available online / Call for pricing and availability
6	B20013486	36" I/S TOP PANEL (VEWD163)	1	EA	NO LONGER AVAILABLE
7	PD020076	6-32 X 3/8" PHILL PAN MS	1	EA	
8	PC020022	WARMING DRAWER SLIDES	1	EA	
9	PC020022	WARMING DRAWER SLIDES	1	EA	
10	B2004125	DRAWER STOP 27"	1	EA	Not available online / Call for pricing and availability
11	B2004141	BRACKET	1	EA	
12	B2004151	INSIDE PANEL RH (VEWD)	1	EA	NO LONGER AVAILABLE
13	B2004152	INSIDE PANEL LH (VEWD)	1	EA	NO LONGER AVAILABLE
14	PA030005	6OZ. STAINLESS STEEL BOWL (6960)	1	EA	
15	PC040019	POP RIVET (0.125 GR X 0.156 DIA)	1	EA	
16	B2004133	FRONT RACK - 36" (VEWD)	1	EA	
17	B2004134	REAR RACK - 36" (VEWD)	1	EA	

EXTERIOR AREA





Item	Part No.	Name	Qty	Uom	NOTES
1	PC040010	POP RIVET (.063/GR -.125) GAMD42-A	1	EA	
2	PD020087	10 X 1/2 PAN PH. TEK ZINC	1	EA	
3	B2004167	GASKET FRAME (VEWD162)	1	EA	NO LONGER AVAILABLE, Not available online / Call for pricing and availability
NI	PB070072	WARMING DRAWER GASKET 6'/UNIT	1	EA	
4	PD020150	' #6 X 1/2 PH. CT. SK. SMS. ""SS""	1	EA	
5	A1004135	ACCESS PLATE (VEWD)	1	EA	
6	A20013482	O/S PANEL - LH	1	EA	Not available online / Call for pricing and availability
7	A20013479	O/S PANEL - RH	1	EA	Not available online / Call for pricing and availability
8	A2004159	OUTER TOP PANEL (VEWD)	1	EA	NO LONGER AVAILABLE, Not available online / Call for pricing and availability
9	001854-000	SIDE TRIM VEWD	1	EA	
10	PD040005	SNAP BUSHING - 7/8"	1	EA	
11	PE040289	TOP/BOTTOM TRIM (VEWD163)	1	EA	NO LONGER AVAILABLE
12	B20013487	FRONT FRAME - 36" (VEWD163)	1	EA	NO LONGER AVAILABLE



Appendix A:Pages Index

BOTTOM AREA	1
CONTROL AREA	2
DOOR ASSEMBLY	3
DRAWER AREA	4
EXTERIOR AREA	5



Appendix B:Parts Index

000268-000	3	C92013437VB	3
001854-000	5	C92013437WH	3
003005-002	2	G30013431	3
A1002457	2	G31015252	4
A1004135	2, 5	G32013439AL	3
A20013478	2	G32013439ALBR	3
A20013479	2, 5	G32013439BK	3
A20013482	5	G32013439BKBR	3
A2002195	2	G32013439BT	3
A2004155	1	G32013439BTBR	3
A2004159	5	G32013439BU	3
A2006075	2	G32013439BUBR	3
A2007081	1	G32013439CB	3
B20013438	3	G32013439CBBR	3
B20013480	2	G32013439EP	3
B20013486	4	G32013439EPBR	3
B20013487	5	G32013439FG	3
B2004125	4	G32013439FGBR	3
B2004133	4	G32013439GG	3
B2004134	4	G32013439GGBR	3
B2004141	1, 4	G32013439LE	3
B2004147	1	G32013439LEBR	3
B2004148	1	G32013439MJ	3
B2004151	4	G32013439MJBR	3
B2004152	4	G32013439SG	3
B2004153	1	G32013439SGBR	3
B2004154	4	G32013439SS	3
B2004167	5	G32013439SSBR	3
B92013437	3	G32013439VB	3
C92013437AL	3	G32013439VBBR	3
C92013437BK	3	G32013439WH	3
C92013437BT	3	G32013439WHBR	3
C92013437BU	3	PA010072	3
C92013437CB	3	PA010073	3
C92013437EP	3	PA030005	4
C92013437FG	3	PB010167	2
C92013437GG	3	PB010278	2
C92013437LE	3	PB010279	2
C92013437MJ	3	PB070072	5
C92013437SG	3	PC020022	4, 4
		PC040010	5



PC040019 4
PD010019 3
PD020009 2
PD020010 2
PD020032 3, 4
PD020072 3
PD020076 2, 4
PD020087 1, 2, 4, 5
PD020150 5
PD030006 3
PD030009 1
PD030012 4
PD040005 5
PD950012 3
PD950013 3
PE010142 3
PE010143 3
PE010144 3
PE010145 3
PE030001PVD 3
PE030194 3
PE030194PVD 3
PE040289 5
PE040326 2
PE050023 2, 3
PE050024 2
PE070147 2
PJ010008 1