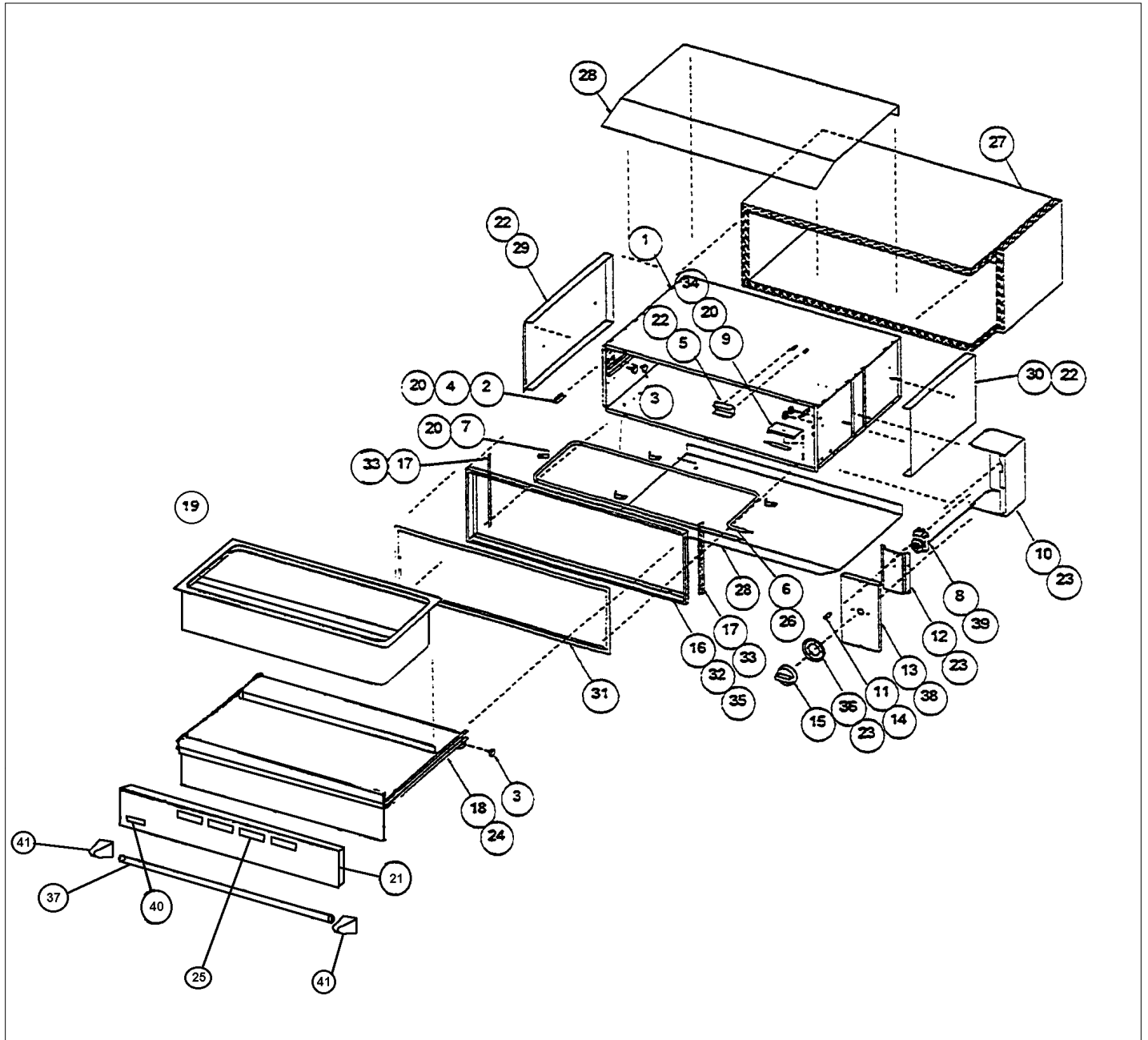


VEWD161

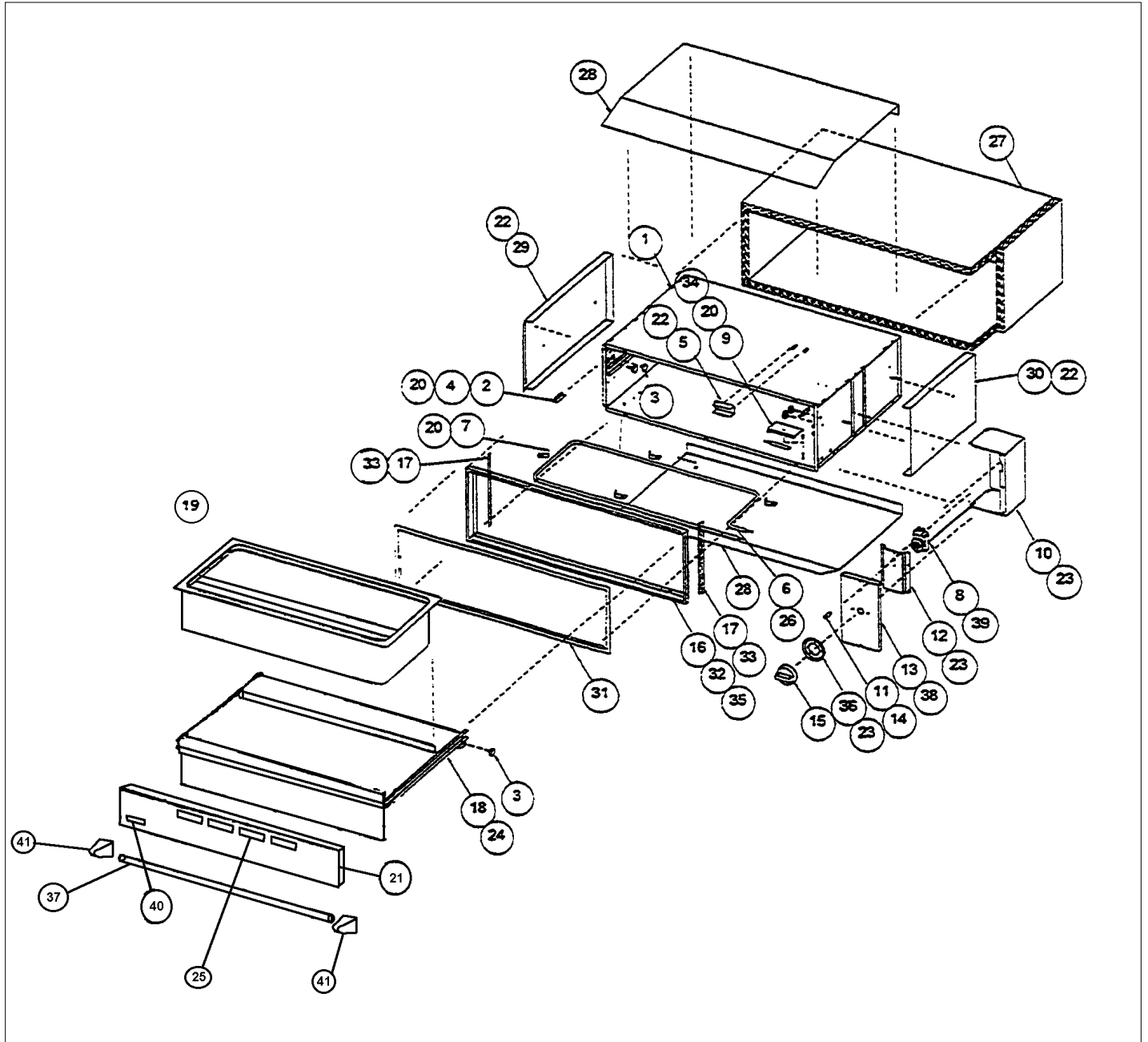
UNIT COMPONENTS	1
Appendix A:Pages Index	A
Appendix B:Parts Index	B

UNIT COMPONENTS



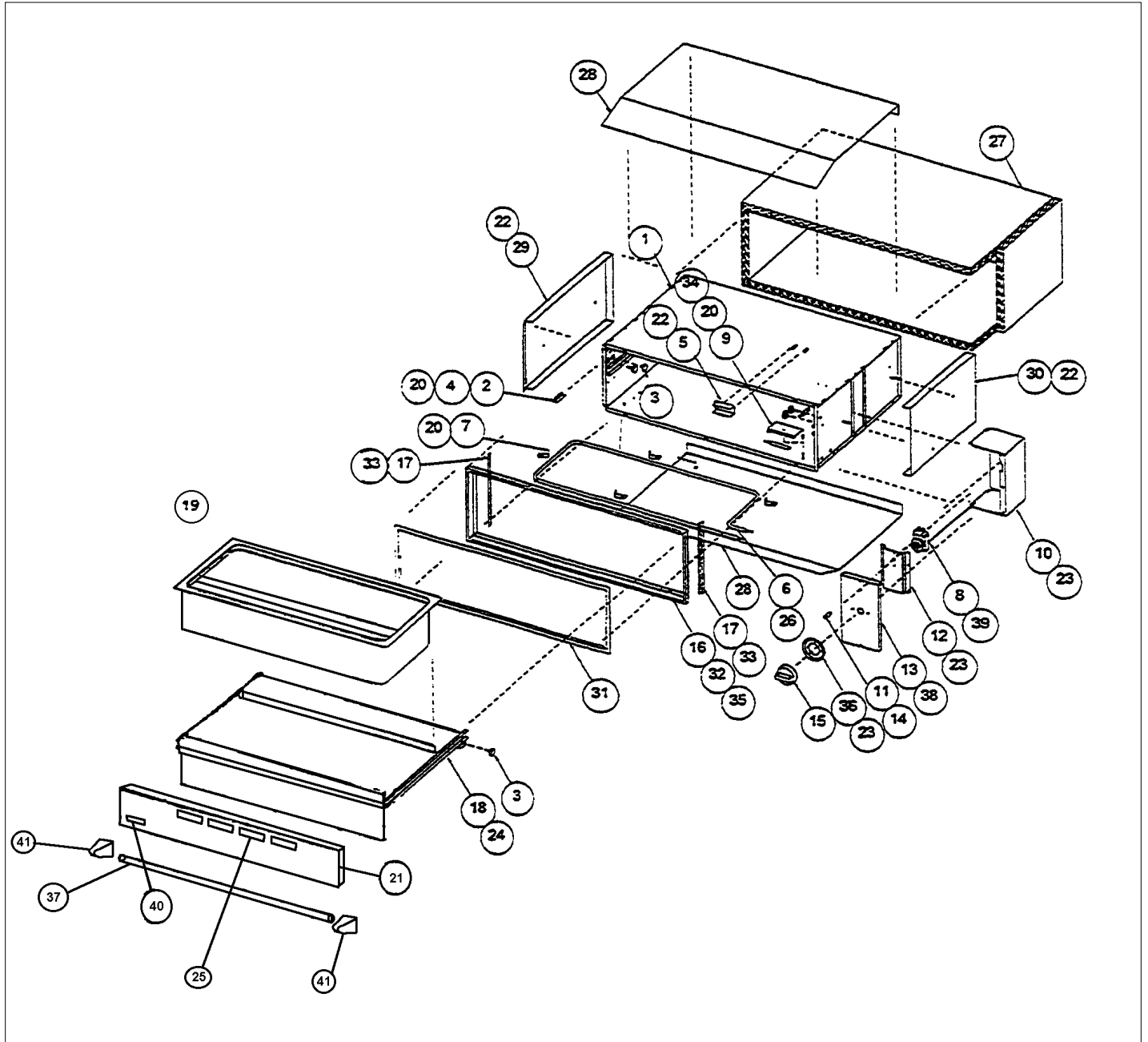


Item	Part No.	Name	Qty	Uom	NOTES
1	PW130021	MAIN FRAME ASSEMBLY- VEWD161 (500622)	1	EA	NO LONGER AVAILABLE, Not available online / Call for pricing and availability
2	PW130003	DRAWER STOP (55988)	1	EA	NO LONGER AVAILABLE, Not available online / Call for pricing and availability
3	PW110002	ROLLER BEARING-WARMER (50483)	1	EA	NO LONGER AVAILABLE, Not available online / Call for pricing and availability
4	PW110012	DRAWER STOP WASHER	1	EA	NO LONGER AVAILABLE, Not available online / Call for pricing and availability
5	PW110001	DRAWER CATCH (50471)	1	EA	
6	PW120009	ELEMENT ROLL WARMER- VEWD161 (500449)	1	EA	NO LONGER AVAILABLE, Not available online / Call for pricing and availability
7	PW130001	ELEMENT MOUNTING BRACKET (55677)	1	EA	NO LONGER AVAILABLE, Not available online / Call for pricing and availability
8	PW120005	SUB TO PB010167 - (1)& B2004148 (1) THERMOSTAT CONTROL (58936)	1	EA	NO LONGER AVAILABLE
9	PW130002	THERMO BULB MOUNTING BRACKET (55683)	1	EA	NO LONGER AVAILABLE, Not available online / Call for pricing and availability
10	PW130020	OUTLET BOX	1	EA	Not available online / Call for pricing and availability
11	PW120008	INDICATOR LIGHT LENS	1	EA	Not available online / Call for pricing and availability
12	PW130012	THERMOSTAT MOUNTING BRACKET	1	EA	Not available online / Call for pricing and availability



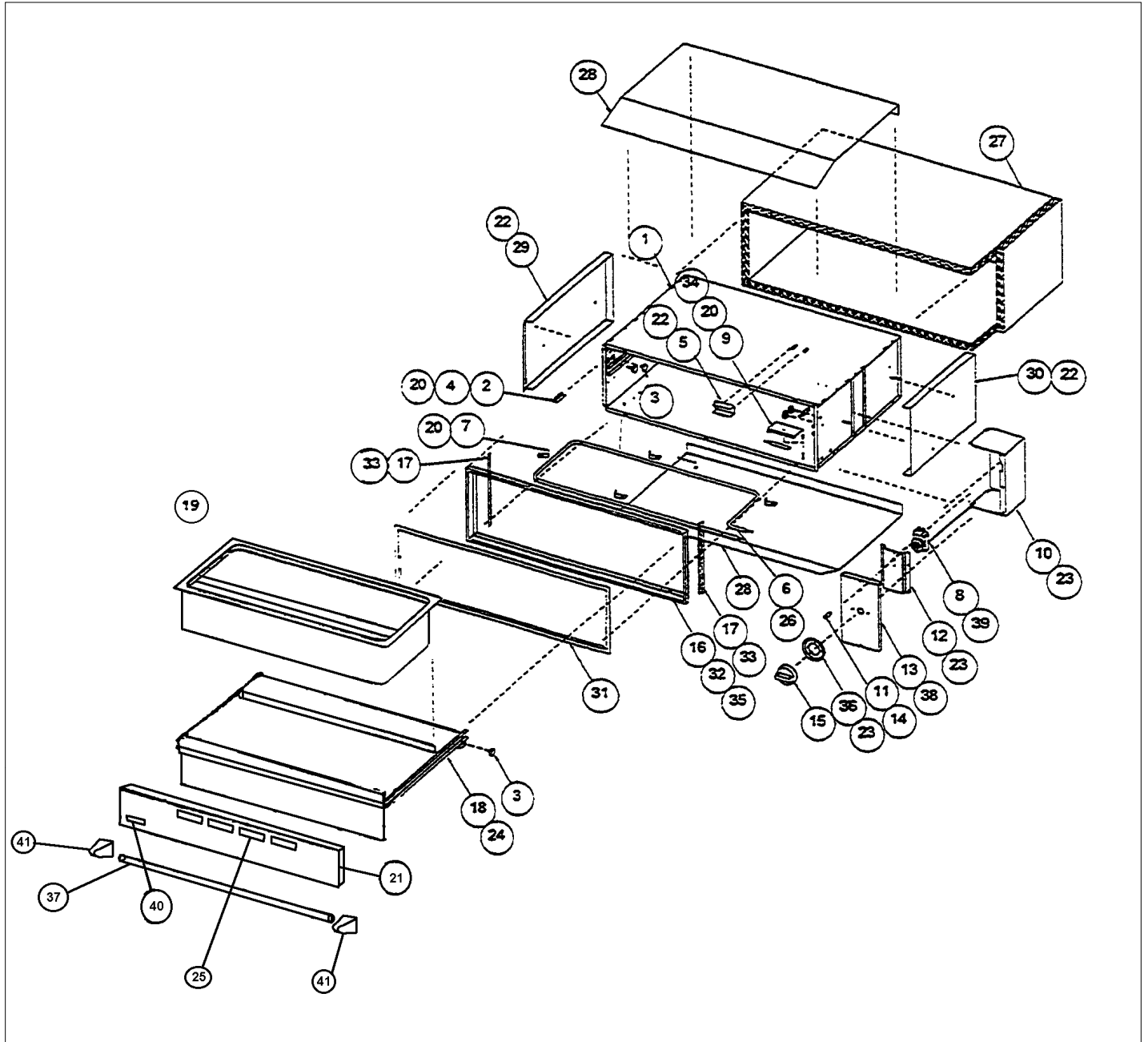


Item	Part No.	Name	Qty	Uom	NOTES
13	B9203034	CONTROL PANEL (VEWD161)	1	EA	Not available online / Call for pricing and availability
Not Shown	C9203034AL	CTRL PAN *AL* (VEWD101) *SLK SCR*	1	EA	NO LONGER AVAILABLE, Not available online / Call for pricing and availability
Not Shown	C9203034BK	CTRL PAN *BK* (VEWD101) *SLK SCR*	1	EA	NO LONGER AVAILABLE, Not available online / Call for pricing and availability
Not Shown	C9203034BU	CTRL PAN *BU* (VEWD101) *SLK SCR*	1	EA	NO LONGER AVAILABLE
Not Shown	C9203034FG	CTRL PAN *FG* (VEWD101) *SLK SCR*	1	EA	NO LONGER AVAILABLE, Not available online / Call for pricing and availability
Not Shown	C9203034PL	CTRL PAN *PL* (VEWD101) *SLK SCR*	1	EA	NO LONGER AVAILABLE, Not available online / Call for pricing and availability
Not Shown	C9203034VB	CTRL PAN *VB* (VEWD101) *SLK SCR*	1	EA	NO LONGER AVAILABLE, Not available online / Call for pricing and availability
Not Shown	C9203034WH	CTRL PAN *WH* (VEWD101) *SLK SCR*	1	EA	NO LONGER AVAILABLE, Not available online / Call for pricing and availability
14	PW120007	THERMOSTAT INDICATOR LIGHT (500558)	1	EA	NO LONGER AVAILABLE
15	PW100008BK	CONTROL KNOB - BK	1	EA	
Not Shown	PW100008WH	CONTROL KNOB (67919)	1	EA	NO LONGER AVAILABLE, Not available online / Call for pricing and availability
16	PW100012	FRAME ASSEMBLY (500506) VEWD161	1	EA	NO LONGER AVAILABLE, Not available online / Call for pricing and availability
17	PW130017	INSTALLATION BRACKET (500651)	1	EA	NO LONGER AVAILABLE

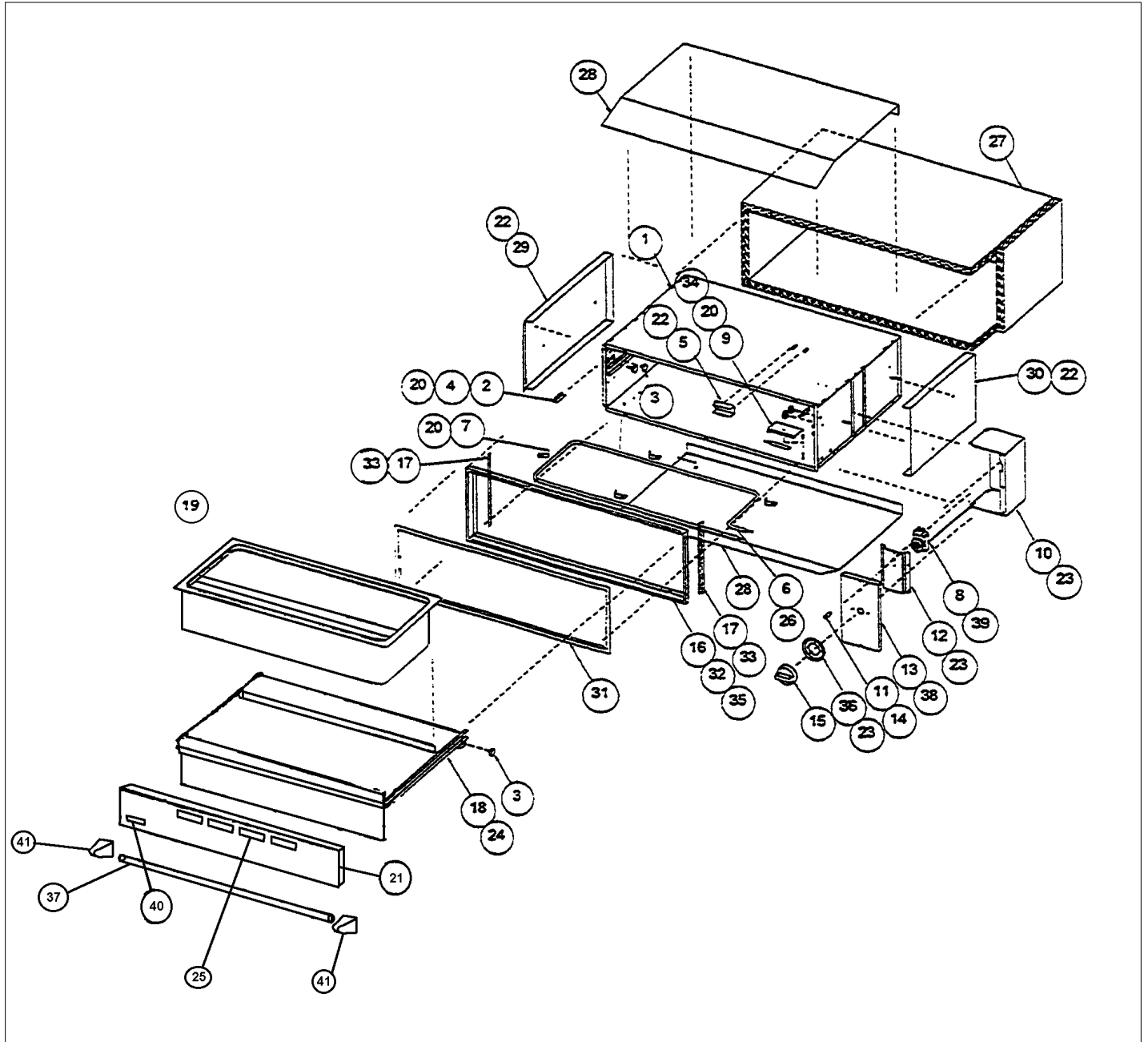




Item	Part No.	Name	Qty	Uom	NOTES
18	PW130016	DRAWER ASSEMBLY	1	EA	Not available online / Call for pricing and availability
19	PW100010	WARMING PAN (500559) VEWD161	1	EA	NO LONGER AVAILABLE, Not available online / Call for pricing and availability
20	PW110013	HEX NUT (#8-32) S.S.	1	EA	NO LONGER AVAILABLE, Not available online / Call for pricing and availability
21	PW100009SS	DRAWER PANEL (S.STEEL) VEWD161	1	EA	NO LONGER AVAILABLE
Not Shown	C9003035AL	DRAWER PANEL (ALMOND) VEWD161	1	EA	NO LONGER AVAILABLE, Not available online / Call for pricing and availability
Not Shown	C9003035BK	DRAWER PANEL (BLACK) VEWD161	1	EA	NO LONGER AVAILABLE, Not available online / Call for pricing and availability
Not Shown	C9003035BU	DRAWER PANEL (BURGUNDY) VEWD161	1	EA	NO LONGER AVAILABLE, Not available online / Call for pricing and availability
Not Shown	C9003035FG	DRAWER PANEL (F.GREEN) VEWD161	1	EA	NO LONGER AVAILABLE, Not available online / Call for pricing and availability
Not Shown	C9003035PL	DRAWER PANEL (PLUM) VEWD161	1	EA	NO LONGER AVAILABLE, Not available online / Call for pricing and availability
Not Shown	C9003035VB	DRAWER PANEL (V.BLUE) VEWD161	1	EA	NO LONGER AVAILABLE, Not available online / Call for pricing and availability
Not Shown	C9003035WH	DRAWER PANEL (WHITE) VEWD161	1	EA	NO LONGER AVAILABLE, Not available online / Call for pricing and availability



Item	Part No.	Name	Qty	Uom	NOTES
22	PW110003	KEPS NUT	1	EA	Not available online / Call for pricing and availability
23	PW110008	#6 X 1/4" S.S. TRUSS HEAD (55566)	1	EA	NO LONGER AVAILABLE
24	PW110007	#8-32 X 5/16" PHILLUPS TRUSS (55487)	1	EA	NO LONGER AVAILABLE, Not available online / Call for pricing and availability
25	PW100007BK	KNOB VENT - BK	1	EA	
Not Shown	PW100007WH	KNOB VENT (67934)	1	EA	
26	PW110011	CLIP RETAINER-FOR IND. LIGHT (63271)	1	EA	NO LONGER AVAILABLE
27	PW120004	INSULATION-SR26 (56050)	1	EA	NO LONGER AVAILABLE, Not available online / Call for pricing and availability
28	PW130022	INSULATION RETAINER - UPPER / LOWER	1	EA	Not available online / Call for pricing and availability
29	PW130015	INSULATION RETAINER - LH	1	EA	Not available online / Call for pricing and availability
30	PW130008	INSULATION RETAINER - RH	1	EA	Not available online / Call for pricing and availability
31	PW130014	FRONT DRAWER STIFFENER	1	EA	Not available online / Call for pricing and availability
32	PW110015	RIVET (1/8" X 1/4") S.S.	1	EA	NO LONGER AVAILABLE
33	PW110018	INSTALLATION SCREW	1	EA	NO LONGER AVAILABLE, Not available online / Call for pricing and availability
34	PW110016	SPACER 1/2" LG 51674	1	EA	NO LONGER AVAILABLE
35	PW110017	TINNERMAN CLIP	1	EA	NO LONGER AVAILABLE, Not available online / Call for pricing and availability





Item	Part No.	Name	Qty	Uom	NOTES
36	050172-000	BEZEL, KNOB	1	EA	
PB010107	PB010172	BEZEL NEW BR REPL PB010107	1	EA	
37	PE030064	WARMING DRAWER HANDLE SS VEWD162	1	EA	
PE030013	PE030013PVD	DOOR HANDLE (36") PVD - NLA	1	EA	NO LONGER AVAILABLE
38	PW110019	SUB TO PD020072 - SCREW (#8-32 X 1") ROUND HEAD	1	EA	NO LONGER AVAILABLE, Not available online / Call for pricing and availability
39	PW100020	SCREW, #8-32 X 3/16	1	EA	Not available online / Call for pricing and availability
40	PE010020	LOGO - PROFESSIONAL - VRTR, *BK* ASSY	1	EA	
Not Shown	PE010019	LOGO - PROFESSIONAL - VRTR, *WH*	1	EA	
Not Shown	PE010056	2" LOGO/VIKING "PROF" *BK**BR*	1	EA	NO LONGER AVAILABLE
Not Shown	PE010055	2" LOGO/VIKING "PROF" *WH**BR*	1	EA	NO LONGER AVAILABLE
41	000268-000	HANDLE ENDCAP	1	EA	
Not Shown	PE030001PVD	END CAP DOOR HANDLE *BR	1	EA	
NI	PD950012	STRIKE PANEL ACCESS	1	EA	
NI	PD950013	LATCH PANEL ACCESS	1	EA	



Appendix A:Pages Index

UNIT COMPONENTS 1



Appendix B:Parts Index

000268-000	1	PW110011	1
050172-000	1	PW110012	1
B9203034	1	PW110013	1
C9003035AL	1	PW110015	1
C9003035BK	1	PW110016	1
C9003035BU	1	PW110017	1
C9003035FG	1	PW110018	1
C9003035PL	1	PW110019	1
C9003035VB	1	PW120004	1
C9003035WH	1	PW120005	1
C9203034AL	1	PW120007	1
C9203034BK	1	PW120008	1
C9203034BU	1	PW120009	1
C9203034FG	1	PW130001	1
C9203034PL	1	PW130002	1
C9203034VB	1	PW130003	1
C9203034WH	1	PW130008	1
PB010172	1	PW130012	1
PD950012	1	PW130014	1
PD950013	1	PW130015	1
PE010019	1	PW130016	1
PE010020	1	PW130017	1
PE010055	1	PW130020	1
PE010056	1	PW130021	1
PE030001PVD	1	PW130022	1
PE030013PVD	1		
PE030064	1		
PW100007BK	1		
PW100007WH	1		
PW100008BK	1		
PW100008WH	1		
PW100009SS	1		
PW100010	1		
PW100012	1		
PW100020	1		
PW110001	1		
PW110002	1		
PW110003	1		
PW110007	1		
PW110008	1		