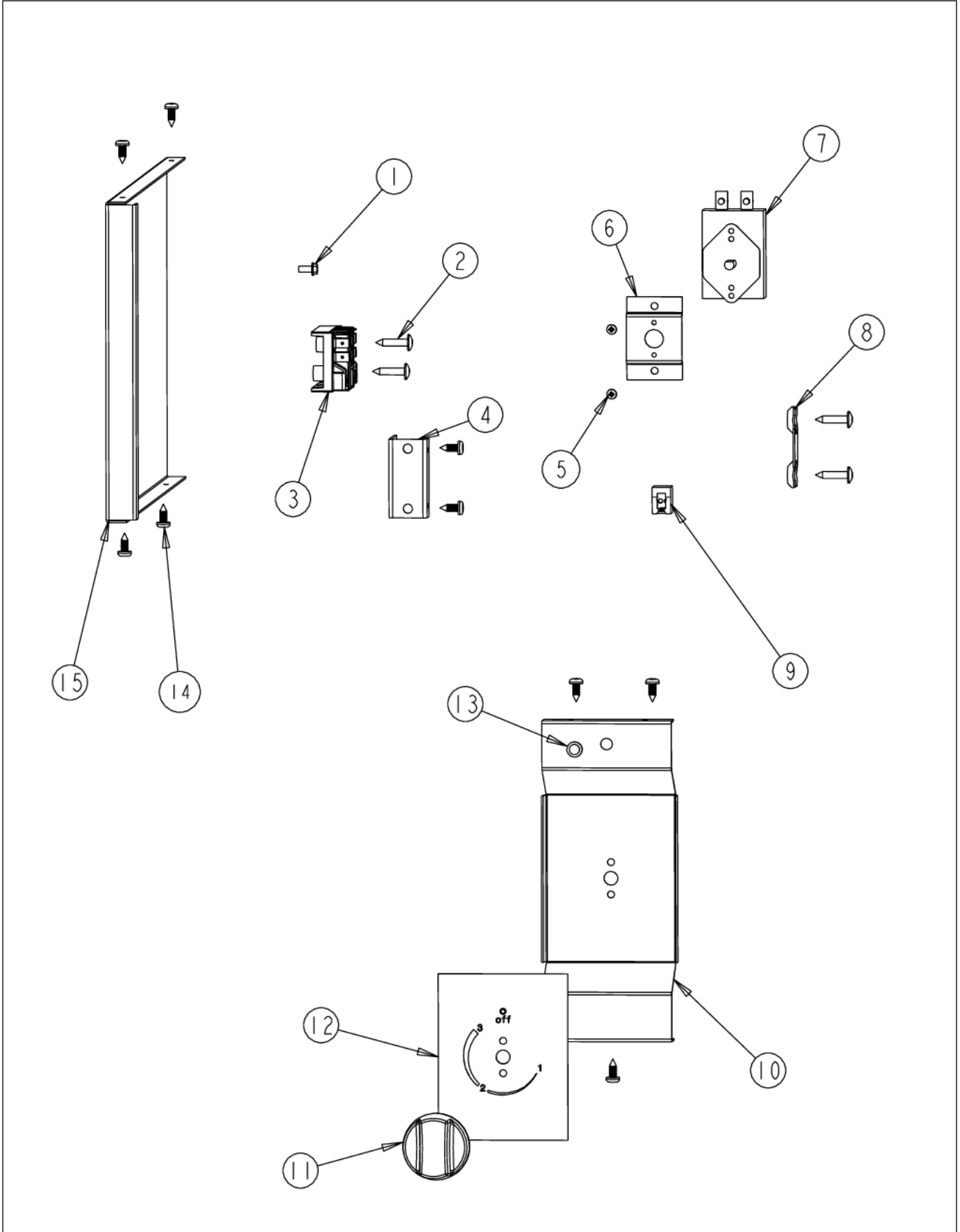


**VEWD103**

CONTROL AREA .....	1
DOOR ASSEMBLY .....	2
DRAWER AREA .....	3
EXTERIOR UNIT AREA .....	4
LOWER UNIT AREA .....	5
Appendix A:Pages Index .....	A
Appendix B:Parts Index .....	B



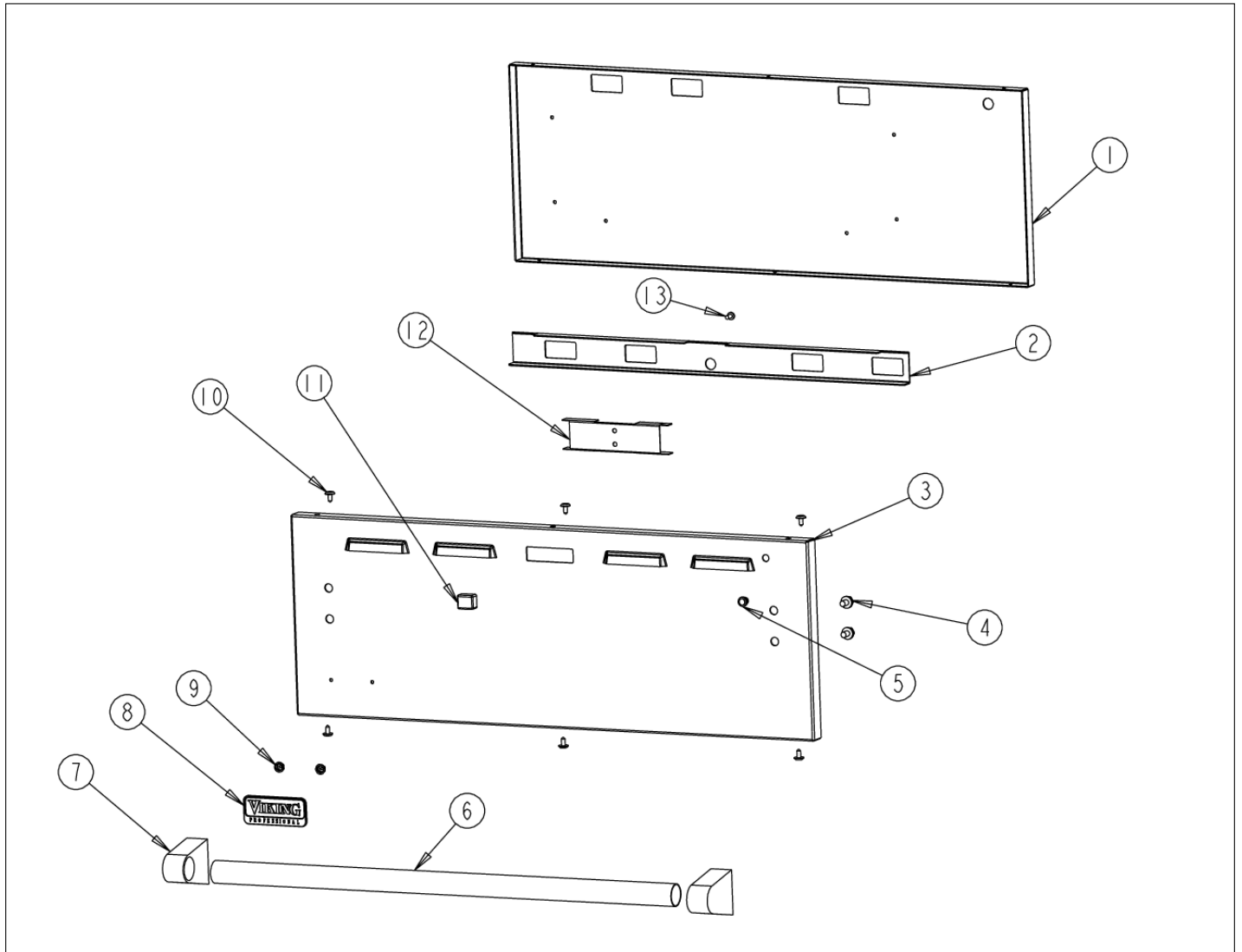
CONTROL AREA





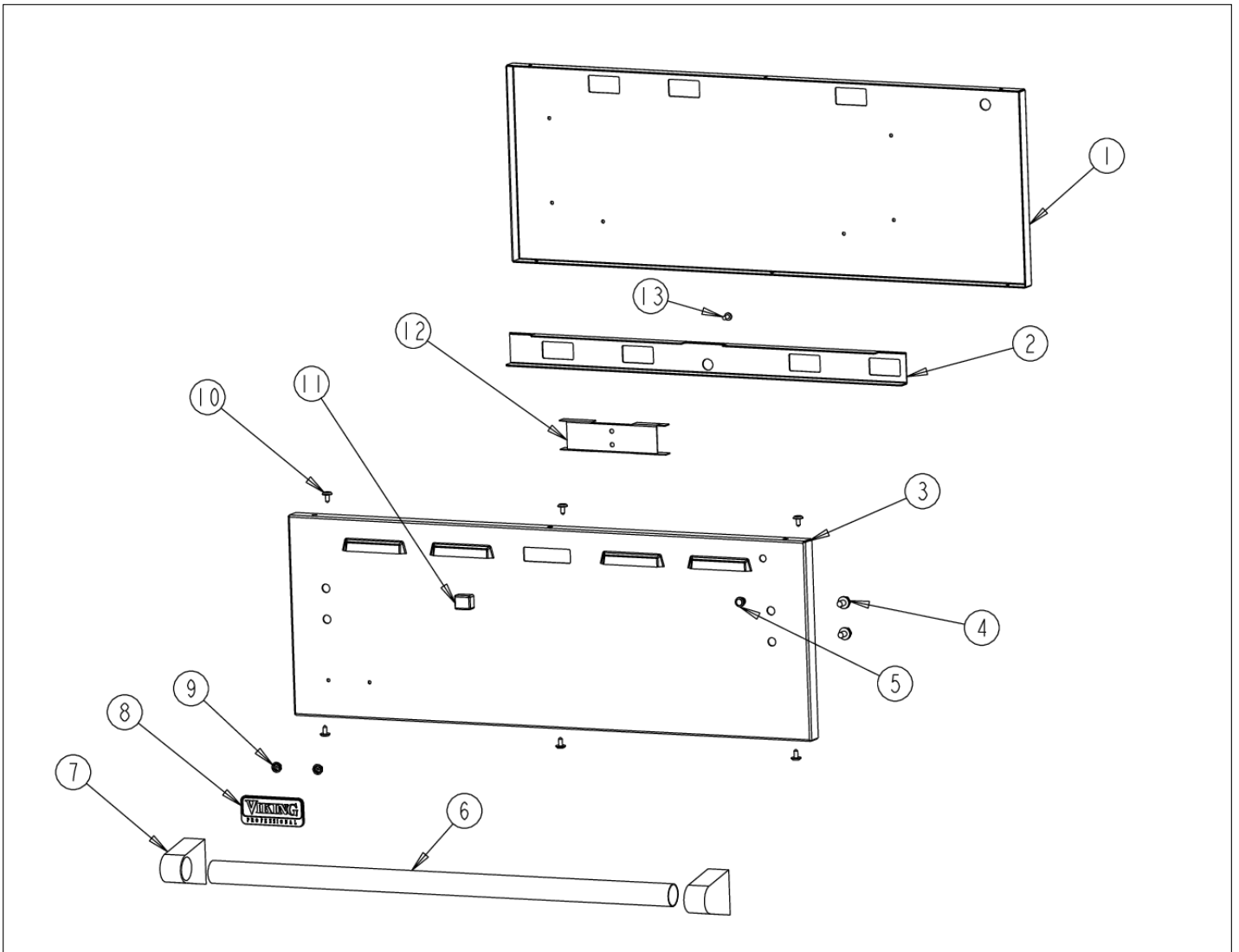
Item	Part No.	Name	Qty	Uom	NOTES
1	PD020010	10 X 3/8 GREEN GROUNDING SCREW	1	EA	
2	PD020009	10 X 1 PH. HD. PAN HD. SMS	1	EA	
3	PE070147	TERMINAL BLOCK (VDSC)	1	EA	
4	A2002195	POWER CORD MOUNTING BRKT (VDSC)	1	EA	
5	PD020076	6-32 X 3/8" PHILL PAN MS	1	EA	
6	A2006075	THERMOSTAT SPACER, DESIGNER	1	EA	Not available online / Call for pricing and availability
7	PB010167	THERMOSTAT	1	EA	
8	A1002457	POWER CORD MOUNTING STRAP (VDSC)	1	EA	
9	PE050024	OVEN IND. LIGHT (LIGHT HOUSING)	1	EA	
<p>Comments for Part Num. PE050024</p> <p>haarnink@vikingrange.com on Jan 14, 2019</p> <p>please note that the indicator light is now part 043135-000 but needs the Jumper harness 051443-000. and second option there are units in the field with a 230V indicator light part number 036566-000.</p> <p>please check this for all "E" module ranges/Tops</p>					
10	B20013480	CONTROL PANEL *SS* (VEWD/DEWD)	1	EA	
11	PB010278	T/STAT KNOB-*BK* (B-IN OVEN)	1	EA	
11	PB010279	T/STAT KNOB-*WH* ( B-IN OVEN)	1	EA	
12	PE040326	DEWD/VEWD CONTROL PANEL GRAPHIC	1	EA	
13	PE050023	OVEN IND. LIGHT (LENS & BEZEL)	1	EA	
14	PD020087	10 X 1/2 PAN PH. TEK ZINC	1	EA	
15	A20015286	INSULATION PANEL (VEWD)	1	EA	Not available online / Call for pricing and availability

DOOR ASSEMBLY





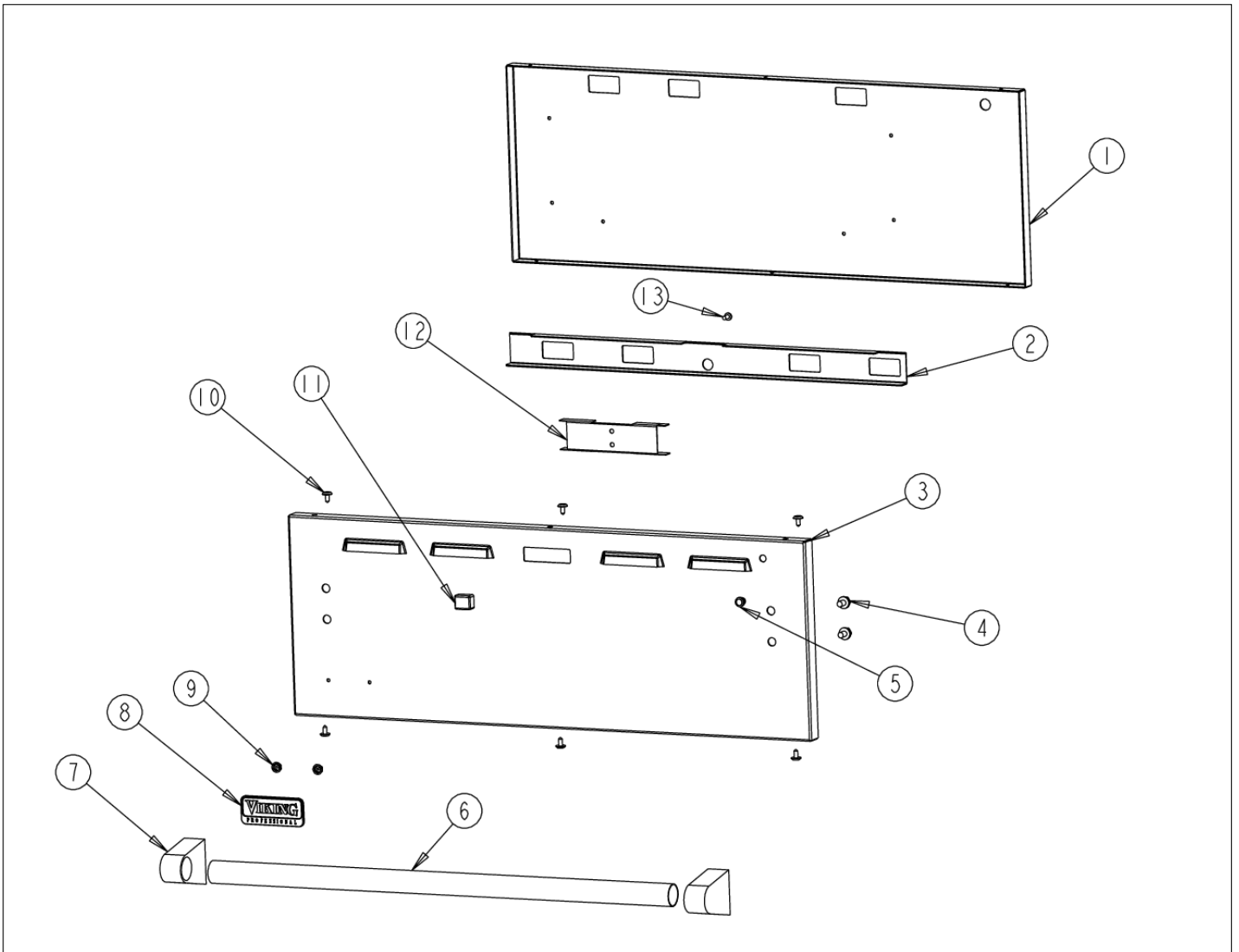
Item	Part No.	Name	Qty	Uom	NOTES
1	B20013426	I/S DOOR PANEL 30" (VEWD103)	1	EA	
Not Shown	NOTE	(BEFORE 06/01/06)		EA	
NI	B20015254	I/S DOOR PANEL (VEWD103)	1	EA	
Not Shown	NOTE	(AFTER 06/01/06)		EA	
2	B20013429	DOOR SLIDE (VEWD103/163)	1	EA	
3	B92013425	O/S DOOR PANEL *SLK SCREEN* (VEWD103)	1	EA	
3	C92013432AL	O/S DOOR PANEL *SLK SCREEN* *AL* (VEWD173)	1	EA	NO LONGER AVAILABLE, Not available online / Call for pricing and availability
3	C92013432BK	O/S DOOR PANEL *SLK SCREEN* *BK* (VEWD173)	1	EA	NO LONGER AVAILABLE
3	C92013432BT	O/S DOOR PANEL *SLK SCREEN* *BT* (VEWD173)	1	EA	NO LONGER AVAILABLE, Not available online / Call for pricing and availability
3	C92013432BU	O/S DOOR PANEL *SLK SCREEN* *BU* (VEWD173)	1	EA	NO LONGER AVAILABLE
3	C92013432CB	O/S DOOR PANEL *SLK SCREEN* *CB* (VEWD173)	1	EA	NO LONGER AVAILABLE, Not available online / Call for pricing and availability
3	C92013432EP	O/S DOOR PANEL *SLK SCREEN* *EP* (VEWD173)	1	EA	NO LONGER AVAILABLE, Not available online / Call for pricing and availability
3	C92013432FG	O/S DOOR PANEL *SLK SCREEN* *FG* (VEWD173)	1	EA	NO LONGER AVAILABLE, Not available online / Call for pricing and availability
3	C92013432GG	O/S DOOR PANEL *SLK SCREEN* *GG* (VEWD173)	1	EA	NO LONGER AVAILABLE
3	C92013432LE	O/S DOOR PANEL *SLK SCREEN* *LE* (VEWD173)	1	EA	NO LONGER AVAILABLE, Not available online / Call for pricing and availability





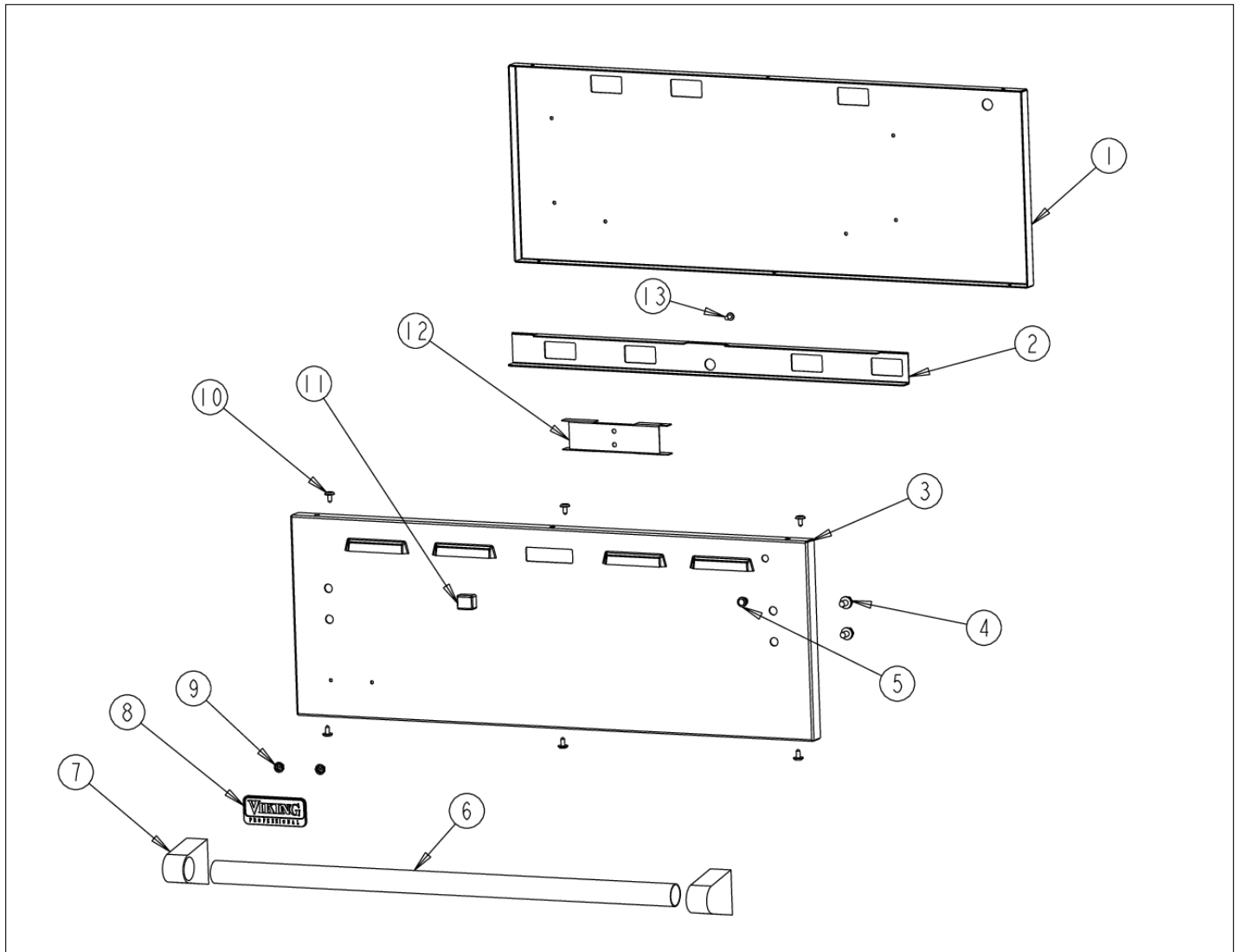


Item	Part No.	Name	Qty	Uom	NOTES
3	C92013432MJ	O/S DOOR PANEL *SLK SCREEN* *MJ* (VEWD173)	1	EA	NO LONGER AVAILABLE, Not available online / Call for pricing and availability
3	C92013432SG	O/S DOOR PANEL *SLK SCREEN* *SG* (VEWD173)	1	EA	NO LONGER AVAILABLE
3	C92013432VB	O/S DOOR PANEL *SLK SCREEN* *VB* (VEWD173)	1	EA	NO LONGER AVAILABLE, Not available online / Call for pricing and availability
3	C92013432WH	O/S DOOR PANEL *SLK SCREEN* *WH* (VEWD173)	1	EA	NO LONGER AVAILABLE
4	PD010019	BLT-1/4-20X3/8"HEX WASHER SERATED	1	EA	
5	PE050023	OVEN IND. LIGHT (LENS & BEZEL)	1	EA	
6	PE030179	30" PROF. DOOR HANDLE	1	EA	
6	PE030179PVD	30" PROF. DOOR HANDLE *PVD* 24.907	1	EA	NO LONGER AVAILABLE, Not available online / Call for pricing and availability
7	000268-000	HANDLE ENDCAP	1	EA	
7	PE030001PVD	END CAP DOOR HANDLE *BR	1	EA	
8	PE010142	3" LOGO *BK**CHROME	1	EA	
9	PD030006	CAPPED WASHER PAL NUT	1	EA	
10	PD020032	SRW-8(A)X3/8"PH.WFR HD 7/16DIA*NICL	1	EA	
11	PA010072	MOISTURE SELECTOR KNOB *BK* (VEWD)	1	EA	
11	PA010073	MOISTURE SELECTOR KNOB *WH* (VEWD)	1	EA	
12	B20013430	KNOB BRKT (VEWD)	1	EA	
13	PD020072	#8-32 X 3/8 PH PH MS (VEWD)	1	EA	
NI	G32013427AL	30" DOOR ASSY *AL* (VEWD103)	1	EA	NO LONGER AVAILABLE, Not available online / Call for pricing and availability
Not Shown	NOTE	(BEFORE 06/22/06)		EA	



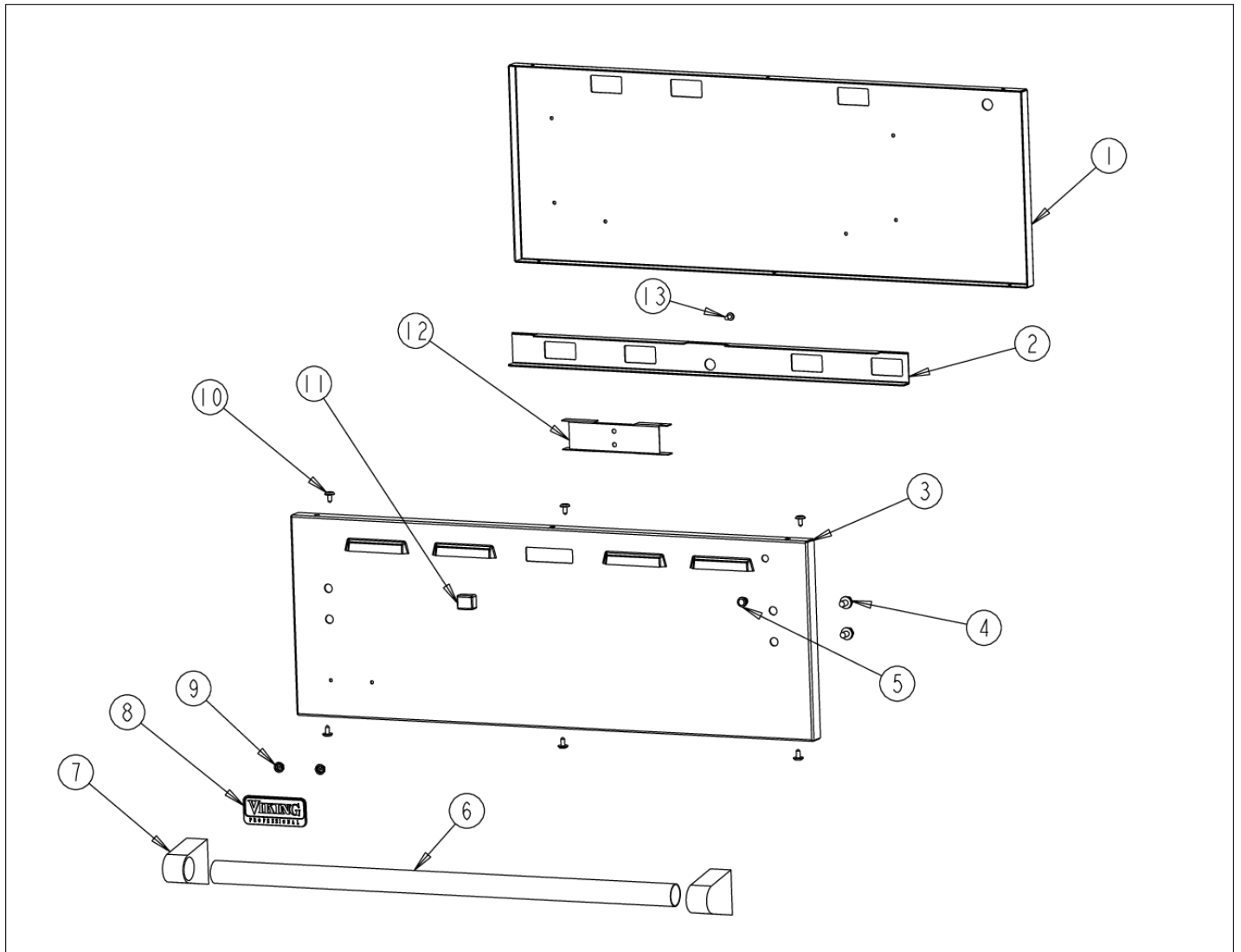


Item	Part No.	Name	Qty	Uom	NOTES
NI	G32013427ALBR	COMPLETE DOOR ASSEMBLY - ALBR	1	EA	Not available online / Call for pricing and availability
Not Shown	NOTE	(BEFORE 06/22/06)		EA	
NI	G32013427BK	30" DOOR ASSY *BK* (VEWD103)	1	EA	NO LONGER AVAILABLE, Not available online / Call for pricing and availability
Not Shown	NOTE	(BEFORE 06/22/06)		EA	
NI	G32013427BKBR	COMPLETE DOOR ASSEMBLY - BKBR	1	EA	Not available online / Call for pricing and availability
Not Shown	NOTE	(BEFORE 06/22/06)		EA	
NI	G32013427BT	30" DOOR ASSY *BT* (VEWD103)	1	EA	NO LONGER AVAILABLE, Not available online / Call for pricing and availability
Not Shown	NOTE	(BEFORE 06/22/06)		EA	
NI	G32013427BTBR	COMPLETE DOOR ASSEMBLY - BTBR	1	EA	Not available online / Call for pricing and availability
Not Shown	NOTE	(BEFORE 06/22/06)		EA	
NI	G32013427BU	30" DOOR ASSY *BU* (VEWD103)	1	EA	NO LONGER AVAILABLE, Not available online / Call for pricing and availability
Not Shown	NOTE	(BEFORE 06/22/06)		EA	
NI	G32013427BUBR	COMPLETE DOOR ASSEMBLY - BUBR	1	EA	Not available online / Call for pricing and availability
Not Shown	NOTE	(BEFORE 06/22/06)		EA	
NI	G32013427CB	30" DOOR ASSY *CB* (VEWD103)	1	EA	NO LONGER AVAILABLE, Not available online / Call for pricing and availability



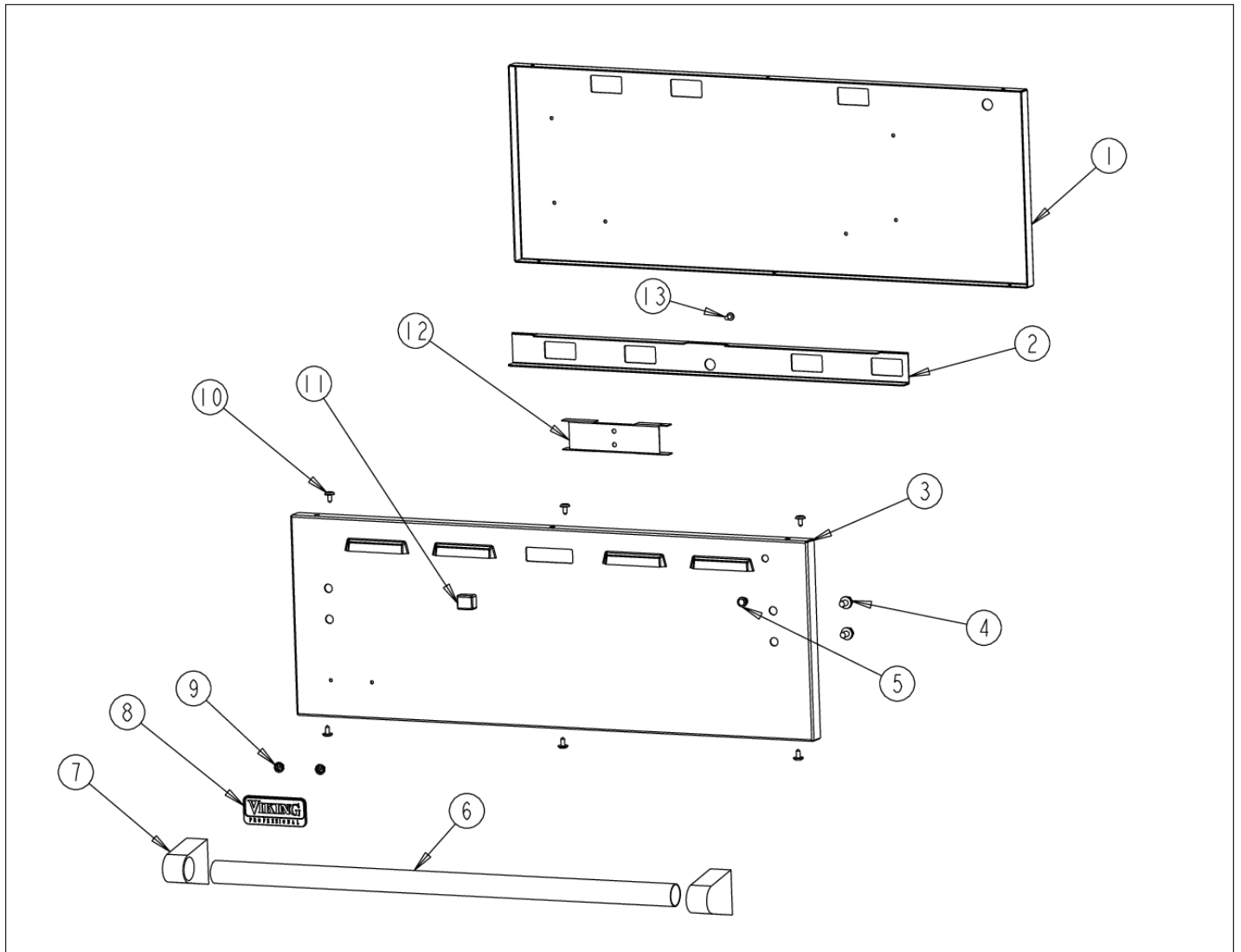


Item	Part No.	Name	Qty	Uom	NOTES
Not Shown	NOTE	(BEFORE 06/22/06)		EA	
NI	G32013427CBBR	COMPLETE DOOR ASSEMBLY - CBBR	1	EA	Not available online / Call for pricing and availability
Not Shown	NOTE	(BEFORE 06/22/06)		EA	
NI	G32013427EP	30" DOOR ASSY *EP* (VEWD103)	1	EA	NO LONGER AVAILABLE, Not available online / Call for pricing and availability
Not Shown	NOTE	(BEFORE 06/22/06)		EA	
NI	G32013427EPBR	COMPLETE DOOR ASSEMBLY - EPBR	1	EA	Not available online / Call for pricing and availability
Not Shown	NOTE	(BEFORE 06/22/06)		EA	
NI	G32013427FG	30" DOOR ASSY *FG* (VEWD103)	1	EA	NO LONGER AVAILABLE, Not available online / Call for pricing and availability
Not Shown	NOTE	(BEFORE 06/22/06)		EA	
NI	G32013427FGBR	COMPLETE DOOR ASSEMBLY - FGBR	1	EA	Not available online / Call for pricing and availability
Not Shown	NOTE	(BEFORE 06/22/06)		EA	
NI	G32013427GG	30" DOOR ASSY *GG* (VEWD103)	1	EA	NO LONGER AVAILABLE, Not available online / Call for pricing and availability
Not Shown	NOTE	(BEFORE 06/22/06)		EA	
NI	G32013427GGBR	COMPLETE DOOR ASSEMBLY - GGBR	1	EA	Not available online / Call for pricing and availability
Not Shown	NOTE	(BEFORE 06/22/06)		EA	





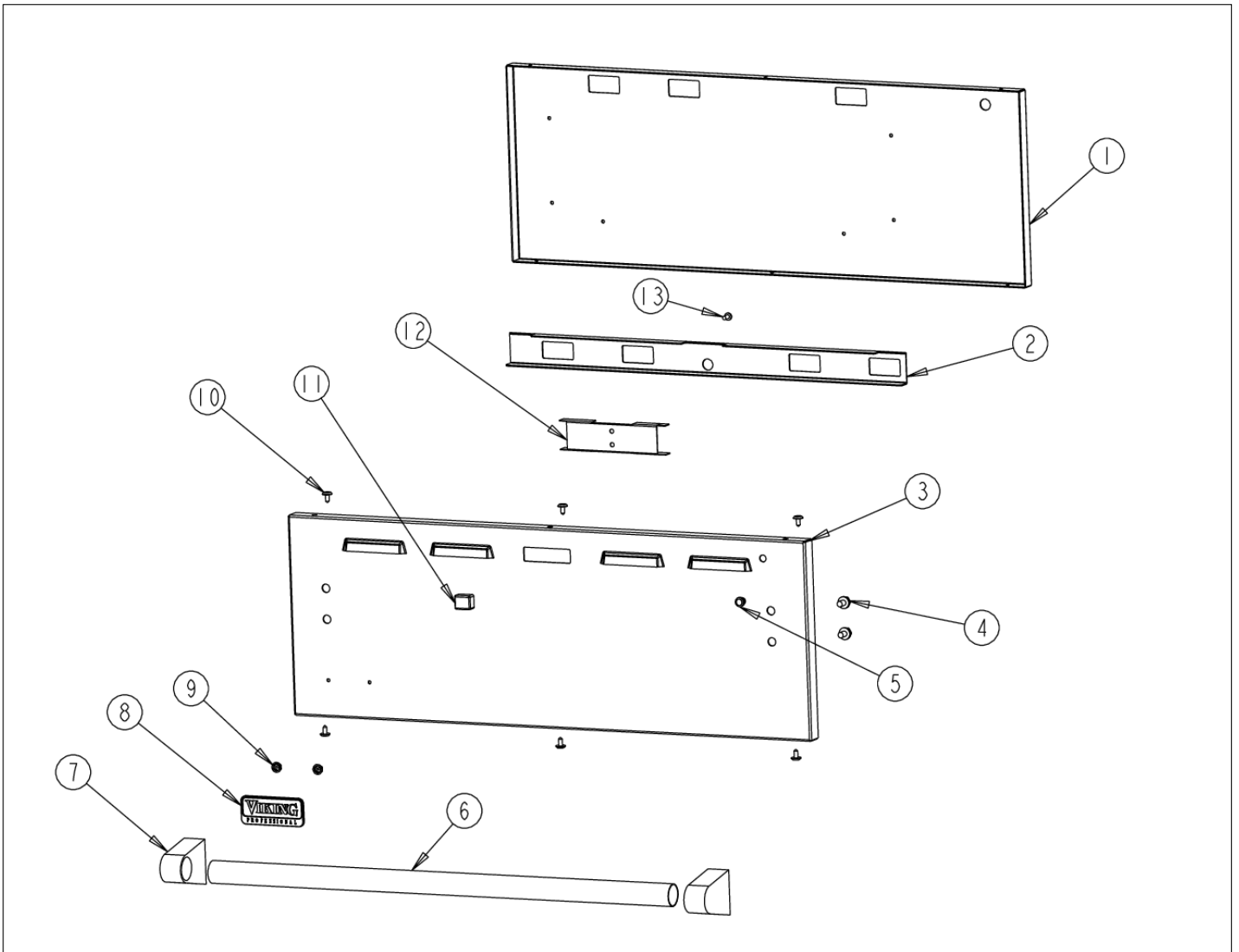
Item	Part No.	Name	Qty	Uom	NOTES
NI	G32013427LE	30" DOOR ASSY *LE* (VEWD103)	1	EA	NO LONGER AVAILABLE, Not available online / Call for pricing and availability
Not Shown	NOTE	(BEFORE 06/22/06)		EA	
NI	G32013427LEBR	COMPLETE DOOR ASSEMBLY - LEBR	1	EA	Not available online / Call for pricing and availability
Not Shown	NOTE	(BEFORE 06/22/06)		EA	
NI	G32013427MJ	30" DOOR ASSY *MJ* (VEWD103)	1	EA	NO LONGER AVAILABLE, Not available online / Call for pricing and availability
Not Shown	NOTE	(BEFORE 06/22/06)		EA	
NI	G32013427MJBR	COMPLETE DOOR ASSEMBLY - MJBR	1	EA	Not available online / Call for pricing and availability
Not Shown	NOTE	(BEFORE 06/22/06)		EA	
NI	G32013427SG	30" DOOR ASSY *SG* (VEWD103)	1	EA	NO LONGER AVAILABLE, Not available online / Call for pricing and availability
Not Shown	NOTE	(BEFORE 06/22/06)		EA	
NI	G32013427SGBR	COMPLETE DOOR ASSEMBLY - SGBR	1	EA	Not available online / Call for pricing and availability
Not Shown	NOTE	(BEFORE 06/22/06)		EA	
NI	G32013427SS	30" DOOR ASSY *SS* (VEWD103)	1	EA	Not available online / Call for pricing and availability
Not Shown	NOTE	(BEFORE 06/22/06)		EA	
NI	G32013427SSBR	COMPLETE DOOR ASSEMBLY - SSBR	1	EA	Not available online / Call for pricing and availability





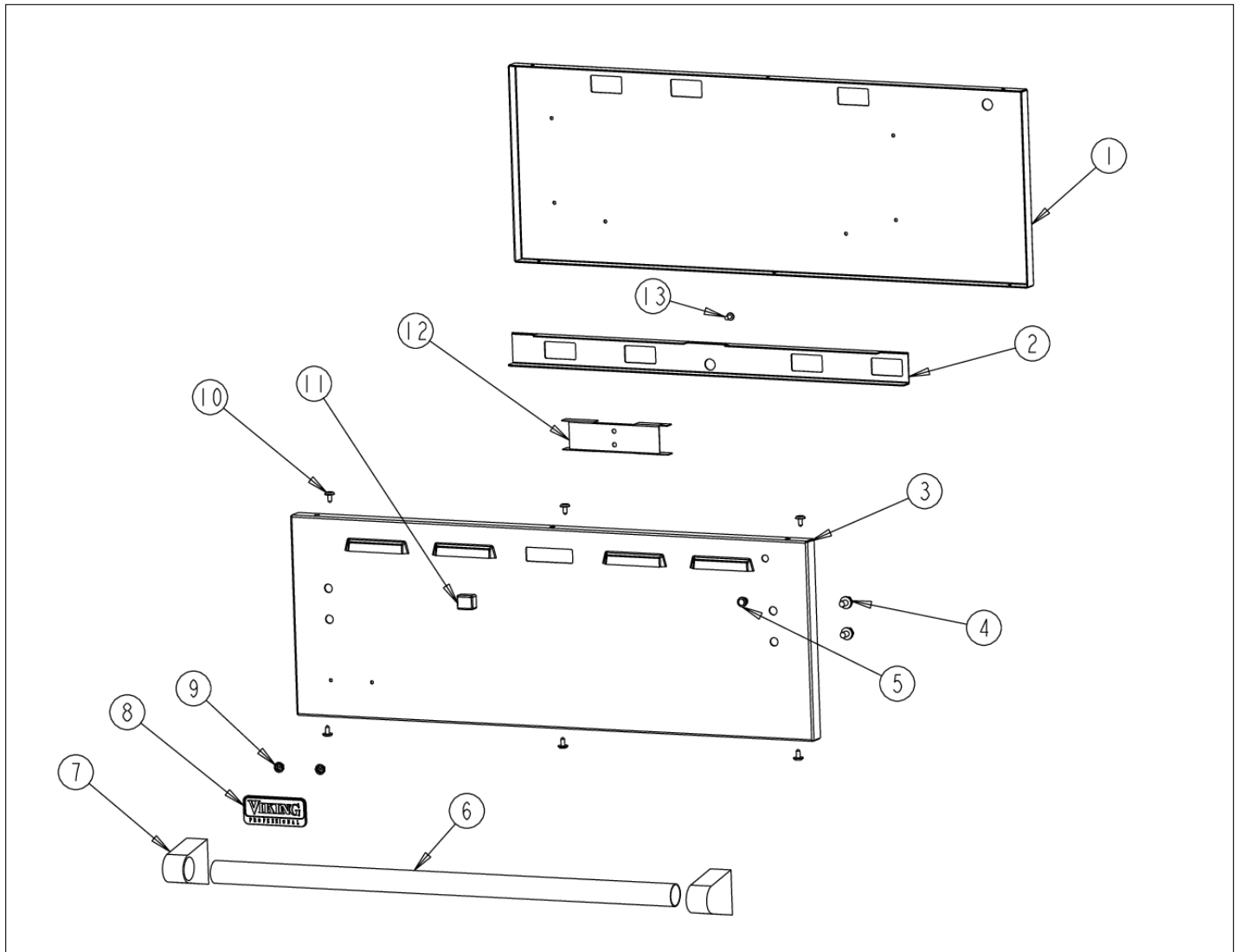


Item	Part No.	Name	Qty	Uom	NOTES
Not Shown	NOTE	(BEFORE 06/22/06)		EA	
NI	G32013427VB	30" DOOR ASSY *VB* (VEWD103)	1	EA	NO LONGER AVAILABLE, Not available online / Call for pricing and availability
Not Shown	NOTE	(BEFORE 06/22/06)		EA	
NI	G32013427VBBR	COMPLETE DOOR ASSEMBLY - VBBR	1	EA	Not available online / Call for pricing and availability
Not Shown	NOTE	(BEFORE 06/22/06)		EA	
NI	G32013427WH	30" DOOR ASSY *WH* (VEWD103)	1	EA	NO LONGER AVAILABLE, Not available online / Call for pricing and availability
Not Shown	NOTE	(BEFORE 06/22/06)		EA	
NI	G32013427WHBR	COMPLETE DOOR ASSEMBLY - WHBR	1	EA	Not available online / Call for pricing and availability
Not Shown	NOTE	(BEFORE 06/22/06)		EA	
NI	G32015257AL	30" DOOR ASSY *AL* (VEWD103)	1	EA	NO LONGER AVAILABLE, Not available online / Call for pricing and availability
Not Shown	NOTE	(AFTER 6/22/06)		EA	
NI	G32015257ALBR	COMPLETE DOOR ASSEMBLY - AL / BR	1	EA	Not available online / Call for pricing and availability
Not Shown	NOTE	(AFTER 6/22/06)		EA	
NI	G32015257BK	30" DOOR ASSY *BK* (VEWD103)	1	EA	NO LONGER AVAILABLE, Not available online / Call for pricing and availability
Not Shown	NOTE	(AFTER 6/22/06)		EA	



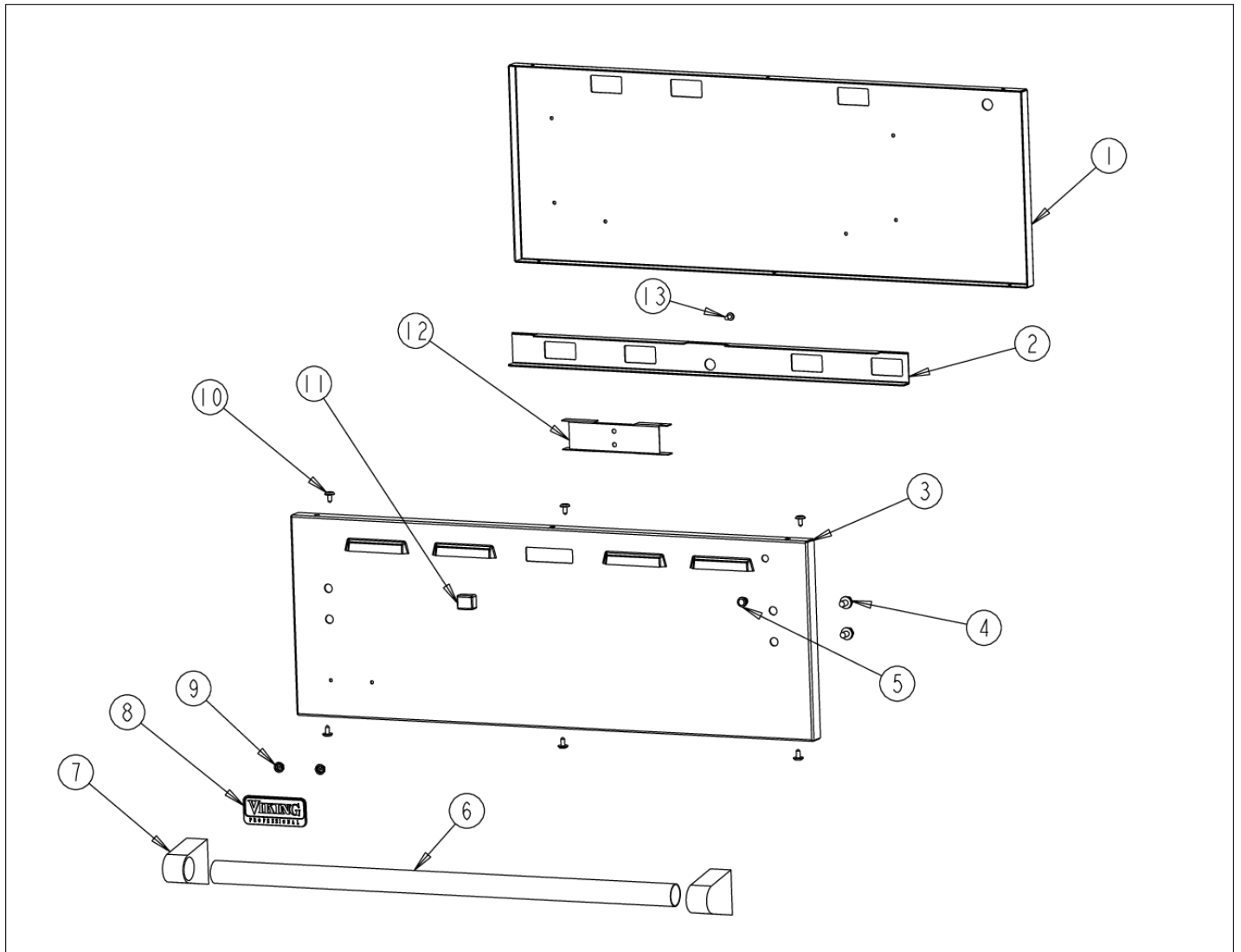


Item	Part No.	Name	Qty	Uom	NOTES
NI	G32015257BKBR	COMPLETE DOOR ASSEMBLY - BK / BR	1	EA	Not available online / Call for pricing and availability
Not Shown	NOTE	(AFTER 6/22/06)		EA	
NI	G32015257BT	30" DOOR ASSY *BT* (VEWD103)	1	EA	NO LONGER AVAILABLE, Not available online / Call for pricing and availability
Not Shown	NOTE	(AFTER 6/22/06)		EA	
NI	G32015257BTBR	COMPLETE DOOR ASSEMBLY - BT / BR	1	EA	Not available online / Call for pricing and availability
Not Shown	NOTE	(AFTER 6/22/06)		EA	
NI	G32015257BU	30" DOOR ASSY *BU* (VEWD103)	1	EA	NO LONGER AVAILABLE, Not available online / Call for pricing and availability
Not Shown	NOTE	(AFTER 6/22/06)		EA	
NI	G32015257BUBR	COMPLETE DOOR ASSEMBLY - BU / BR	1	EA	Not available online / Call for pricing and availability
Not Shown	NOTE	(AFTER 6/22/06)		EA	
NI	G32015257CB	30" DOOR ASSY *CB* (VEWD103)	1	EA	NO LONGER AVAILABLE, Not available online / Call for pricing and availability
Not Shown	NOTE	(AFTER 6/22/06)		EA	
NI	G32015257CBCR	COMPLETE DOOR ASSEMBLY - CB / BR	1	EA	Not available online / Call for pricing and availability
Not Shown	NOTE	(AFTER 6/22/06)		EA	
NI	G32015257EP	30" DOOR ASSY *EP* (VEWD103)	1	EA	NO LONGER AVAILABLE, Not available online / Call for pricing and availability

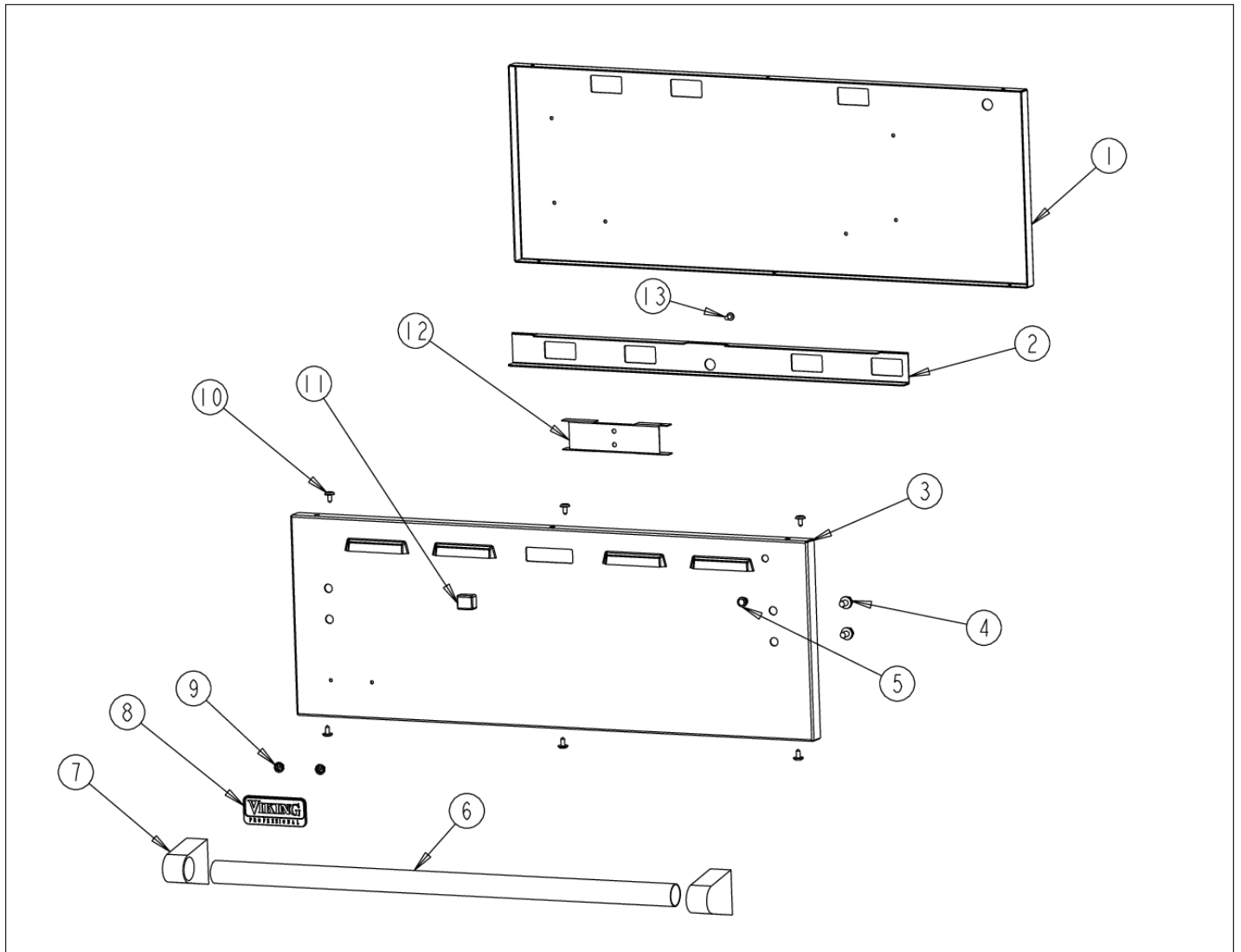




Item	Part No.	Name	Qty	Uom	NOTES
Not Shown	NOTE	(AFTER 6/22/06)		EA	
NI	G32015257EPBR	COMPLETE DOOR ASSEMBLY - EP / BR	1	EA	Not available online / Call for pricing and availability
Not Shown	NOTE	(AFTER 6/22/06)		EA	
NI	G32015257FG	30" DOOR ASSY *FG* (VEWD103)	1	EA	NO LONGER AVAILABLE, Not available online / Call for pricing and availability
Not Shown	NOTE	(AFTER 6/22/06)		EA	
NI	G32015257FGBR	COMPLETE DOOR ASSEMBLY - FG / BR	1	EA	Not available online / Call for pricing and availability
Not Shown	NOTE	(AFTER 6/22/06)		EA	
NI	G32015257GG	30" DOOR ASSY *GG* (VEWD103)	1	EA	NO LONGER AVAILABLE, Not available online / Call for pricing and availability
Not Shown	NOTE	(AFTER 6/22/06)		EA	
NI	G32015257GGBR	COMPLETE DOOR ASSEMBLY - GG / BR	1	EA	Not available online / Call for pricing and availability
Not Shown	NOTE	(AFTER 6/22/06)		EA	
NI	G32015257LE	30" DOOR ASSY *LE* (VEWD103)	1	EA	NO LONGER AVAILABLE, Not available online / Call for pricing and availability
Not Shown	NOTE	(AFTER 6/22/06)		EA	
NI	G32015257LEBR	COMPLETE DOOR ASSEMBLY - LE / BR	1	EA	Not available online / Call for pricing and availability
Not Shown	NOTE	(AFTER 6/22/06)		EA	



Item	Part No.	Name	Qty	Uom	NOTES
NI	G32015257MJ	30" DOOR ASSY *MJ* (VEWD103)	1	EA	NO LONGER AVAILABLE, Not available online / Call for pricing and availability
Not Shown	NOTE	(AFTER 6/22/06)		EA	
NI	G32015257MJBR	COMPLETE DOOR ASSEMBLY - MJ / BR	1	EA	Not available online / Call for pricing and availability
Not Shown	NOTE	(AFTER 6/22/06)		EA	
NI	G32015257SG	30" DOOR ASSY *SG* (VEWD103)	1	EA	NO LONGER AVAILABLE, Not available online / Call for pricing and availability
Not Shown	NOTE	(AFTER 6/22/06)		EA	
NI	G32015257SGBR	COMPLETE DOOR ASSEMBLY - SG / BR	1	EA	Not available online / Call for pricing and availability
Not Shown	NOTE	(AFTER 6/22/06)		EA	
NI	026119-000	30" DOOR ASSY SS	1	EA	Not available online / Call for pricing and availability
Not Shown	NOTE	(AFTER 6/22/06)		EA	
NI	G32015257SSBR	COMPLETE DOOR ASSEMBLY - SS / BR	1	EA	
Not Shown	NOTE	(AFTER 6/22/06)		EA	
NI	G32015257VB	30" DOOR ASSY *VB* (VEWD103)	1	EA	NO LONGER AVAILABLE, Not available online / Call for pricing and availability
Not Shown	NOTE	(AFTER 6/22/06)		EA	
NI	G32015257VBBR	COMPLETE DOOR ASSEMBLY - VB / BR	1	EA	Not available online / Call for pricing and availability
Not Shown	NOTE	(AFTER 6/22/06)		EA	

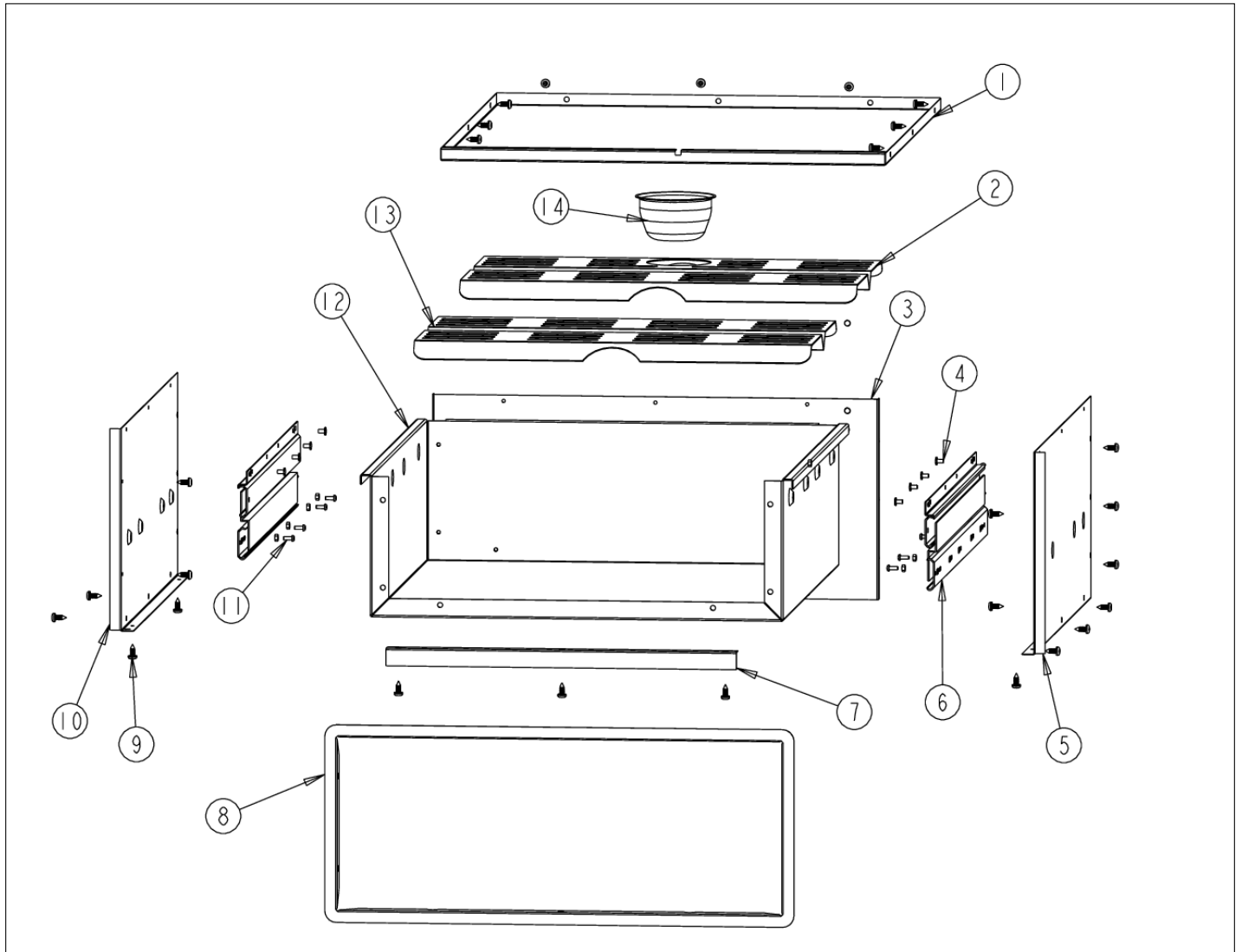






Item	Part No.	Name	Qty	Uom	NOTES
NI	G32015257WH	30" DOOR ASSY *WH* (VEWD103)	1	EA	NO LONGER AVAILABLE, Not available online / Call for pricing and availability
Not Shown	NOTE	(AFTER 6/22/06)		EA	
NI	G32015257WHBR	COMPLETE DOOR ASSEMBLY - WH / BR	1	EA	Not available online / Call for pricing and availability
Not Shown	NOTE	(AFTER 6/22/06)		EA	
NI	PD950012	STRIKE PANEL ACCESS	1	EA	
NI	PD950013	LATCH PANEL ACCESS	1	EA	

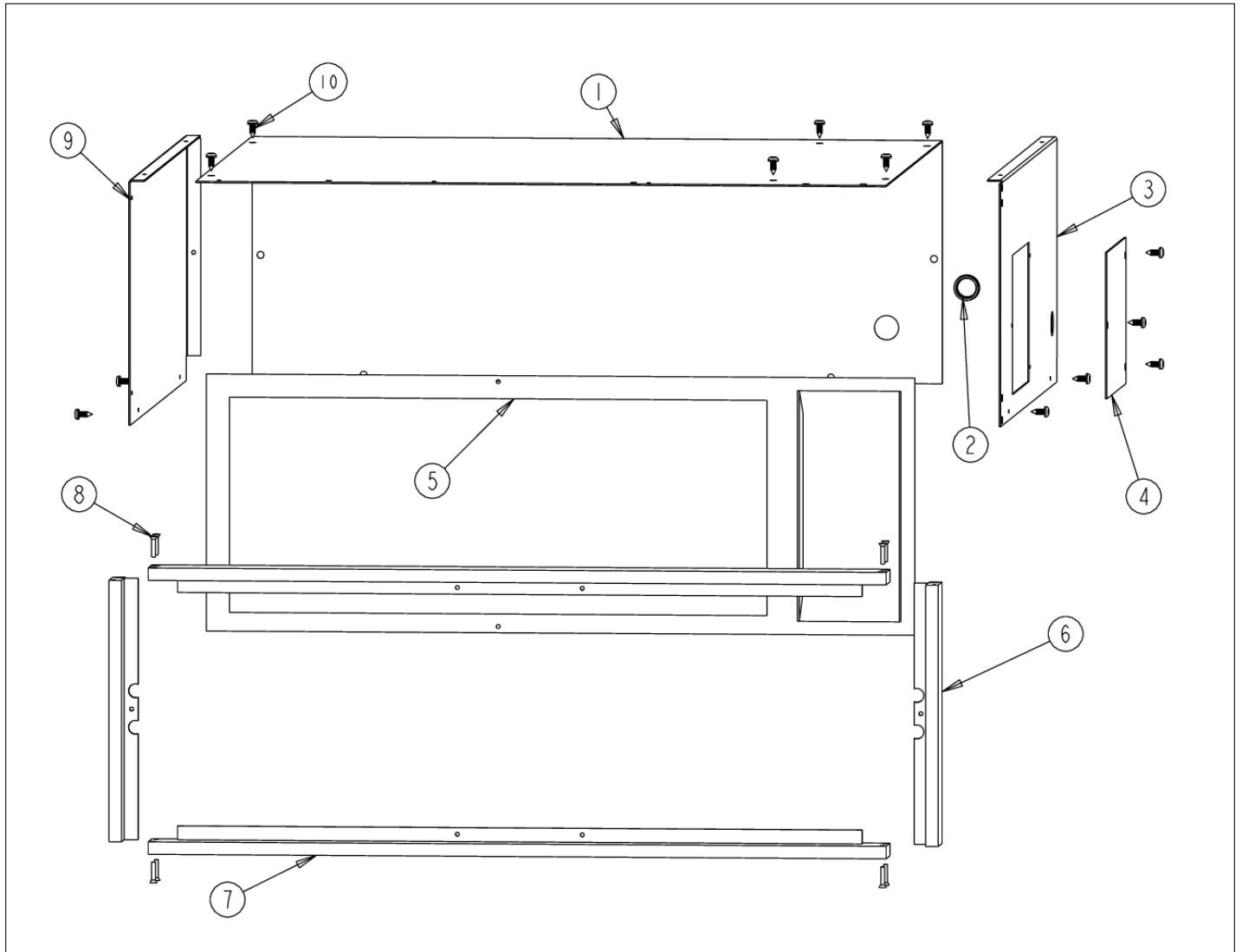
DRAWER AREA





Item	Part No.	Name	Qty	Uom	NOTES
1	B20015277	30" I/S TOP PANEL (VEWD103)	1	EA	NO LONGER AVAILABLE, Not available online / Call for pricing and availability
2	B2004132	REAR RACK - 30" (VEWD)	1	EA	
3	B2004176	REAR INSIDE PANEL - 30" (VEWD)	1	EA	NO LONGER AVAILABLE
4	PC040019	POP RIVET ( 0.125 GR X 0.156 DIA )	1	EA	
5	B20015285	INSIDE PANEL RH (VEWD)	1	EA	NO LONGER AVAILABLE, Not available online / Call for pricing and availability
6	PC020022	WARMING DRAWER SLIDES	1	EA	
7	B2004125	DRAWER STOP 27"	1	EA	Not available online / Call for pricing and availability
8	B20016091	GASKET FRAME (VEWD103)	1	EA	
9	PD020087	10 X 1/2 PAN PH. TEK ZINC	1	EA	
10	B20015284	INSIDE PANEL LH (VEWD)	1	EA	
11	PD020076	6-32 X 3/8" PHILL PAN MS	1	EA	
NI	G3004143	WARMING DRAWER WELD ASSY - (30")	1	EA	
Not Shown	NOTE	(BEFORE 06/22/06)		EA	
12	G31015251	WARMING DRAWER ASSY (30")	1	EA	
Not Shown	NOTE	(AFTER 06/22/06)		EA	
13	B2004131	FRONT RACK - 30" (VEWD)	1	EA	
14	PA030005	6OZ. STAINLESS STEEL BOWL (6960)	1	EA	

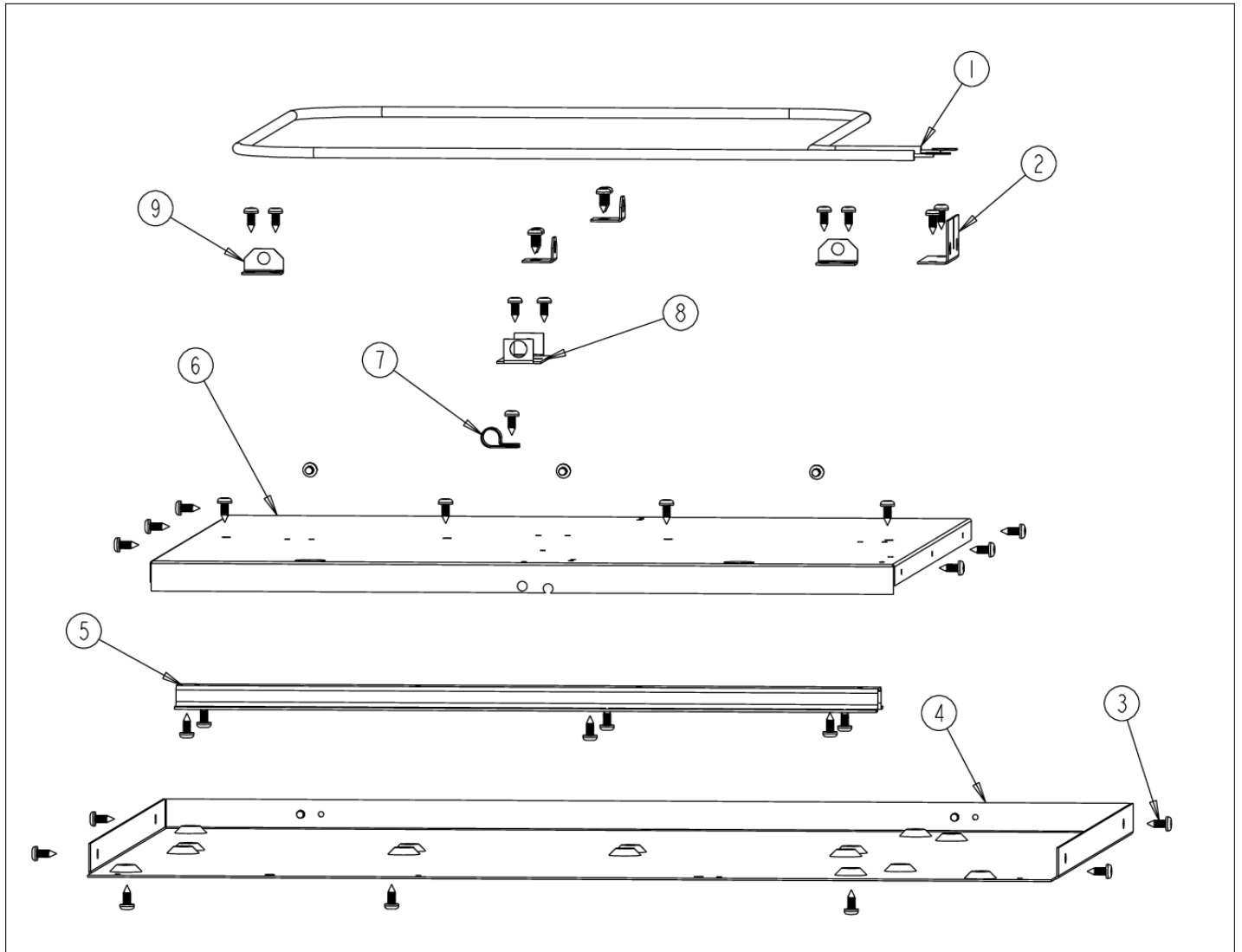
EXTERIOR UNIT AREA





Item	Part No.	Name	Qty	Uom	NOTES
1	A20015288	OUTER TOP PANEL (VEWD103)	1	EA	NO LONGER AVAILABLE, Not available online / Call for pricing and availability
2	PD040005	SNAP BUSHING, 7/8"	1	EA	
3	A20015283	OUTER SIDE PANEL RH (VEWD)	1	EA	NO LONGER AVAILABLE, Not available online / Call for pricing and availability
4	A1004135	ACCESS PLATE (VEWD)	1	EA	
5	B20013488	FRONT FRAME 30" (VEWD)	1	EA	NO LONGER AVAILABLE, Not available online / Call for pricing and availability
6	001854-000	SIDE TRIM VEWD	1	EA	
7	001853-000	TOP/BOTTOM TRIM VEWD103	1	EA	
8	PD020150	' #6 X 1/2 PH. CT. SK. SMS. ""SS""	1	EA	
9	A20015282	OUTER SIDE PANEL LH (VEWD)	1	EA	NO LONGER AVAILABLE, Not available online / Call for pricing and availability
10	PD020087	10 X 1/2 PAN PH. TEK ZINC	1	EA	

LOWER UNIT AREA





Item	Part No.	Name	Qty	Uom	NOTES
1	PJ010009	ELEMENT - 30" (VEWD)	1	EA	
2	B2004141	BRACKET	1	EA	
3	PD020087	10 X 1/2 PAN PH. TEK ZINC	1	EA	
4	A20015274	WARMING DRAWER BOTTOM - 30"	1	EA	NO LONGER AVAILABLE, Not available online / Call for pricing and availability
5	A2007075	30"" WARMING DRAWER BRKT	1	EA	NO LONGER AVAILABLE
6	B20015280	BOTTOM INSIDE PANEL - 30" (VEWD)	1	EA	
7	PD030009	CLAMP, AL-8 (.500")	1	EA	
8	B2004148	THERMAL BULB BRKT (VEWD)	1	EA	
9	B2004147	ELEMENT BRACKET (VEWD)	1	EA	



Appendix A:Pages Index

CONTROL AREA .....	1
DOOR ASSEMBLY .....	2
DRAWER AREA .....	3
EXTERIOR UNIT AREA .....	4
LOWER UNIT AREA .....	5





Appendix B:Parts Index

000268-000	2	C92013432GG	2
001853-000	4	C92013432LE	2
001854-000	4	C92013432MJ	2
026119-000	2	C92013432SG	2
A1002457	1	C92013432VB	2
A1004135	4	C92013432WH	2
A20015274	5	G3004143	3
A20015282	4	G31015251	3
A20015283	4	G32013427AL	2
A20015286	1	G32013427ALBR	2
A20015288	4	G32013427BK	2
A2002195	1	G32013427BKBR	2
A2006075	1	G32013427BT	2
A2007075	5	G32013427BTBR	2
B20013426	2	G32013427BU	2
B20013429	2	G32013427BUBR	2
B20013430	2	G32013427CB	2
B20013480	1	G32013427CBBR	2
B20013488	4	G32013427EP	2
B20015254	2	G32013427EPBR	2
B20015277	3	G32013427FG	2
B20015280	5	G32013427FGBR	2
B20015284	3	G32013427GG	2
B20015285	3	G32013427GGBR	2
B20016091	3	G32013427LE	2
B2004125	3	G32013427LEBR	2
B2004131	3	G32013427MJ	2
B2004132	3	G32013427MJBR	2
B2004141	5	G32013427SG	2
B2004147	5	G32013427SGBR	2
B2004148	5	G32013427SS	2
B2004176	3	G32013427SSBR	2
B92013425	2	G32013427VB	2
C92013432AL	2	G32013427VBBR	2
C92013432BK	2	G32013427WH	2
C92013432BT	2	G32013427WHBR	2
C92013432BU	2	G32015257AL	2
C92013432CB	2	G32015257ALBR	2
C92013432EP	2	G32015257BK	2
C92013432FG	2	G32015257BKBR	2
		G32015257BT	2



G32015257BTBR	2	PD950012	2
G32015257BU	2	PD950013	2
G32015257BUBR	2	PE010142	2
G32015257CB	2	PE030001PVD	2
G32015257CBCR	2	PE030179	2
G32015257EP	2	PE030179PVD	2
G32015257EPBR	2	PE040326	1
G32015257FG	2	PE050023	1, 2
G32015257FGBR	2	PE050024	1
G32015257GG	2	PE070147	1
G32015257GGBR	2	PJ010009	5
G32015257LE	2		
G32015257LEBR	2		
G32015257MJ	2		
G32015257MJBR	2		
G32015257SG	2		
G32015257SGBR	2		
G32015257SSBR	2		
G32015257VB	2		
G32015257VBBR	2		
G32015257WH	2		
G32015257WHBR	2		
PA010072	2		
PA010073	2		
PA030005	3		
PB010167	1		
PB010278	1		
PB010279	1		
PC020022	3		
PC040019	3		
PD010019	2		
PD020009	1		
PD020010	1		
PD020032	2		
PD020072	2		
PD020076	1, 3		
PD020087	1, 3, 4, 5		
PD020150	4		
PD030006	2		
PD030009	5		
PD040005	4		