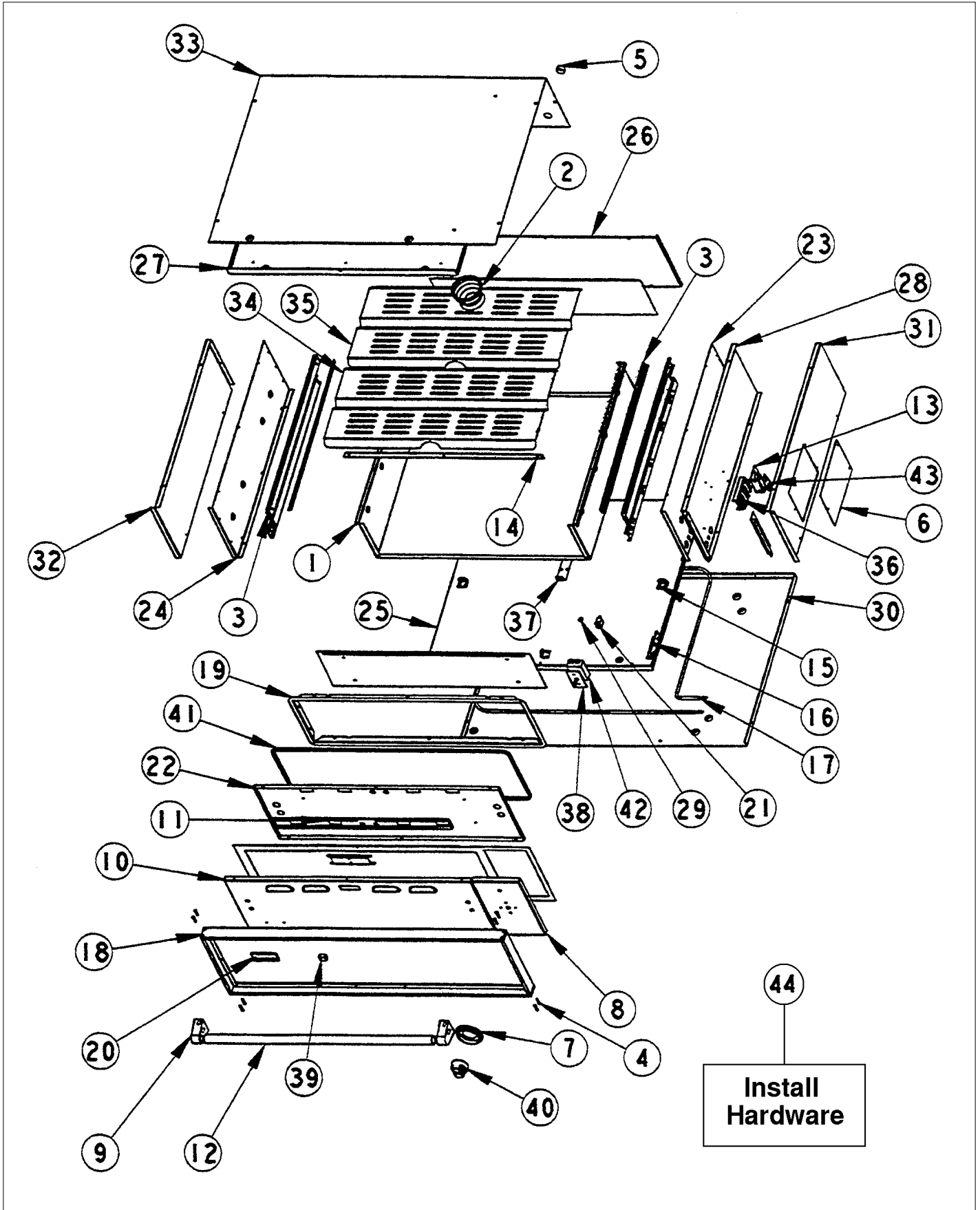


VEWD102T

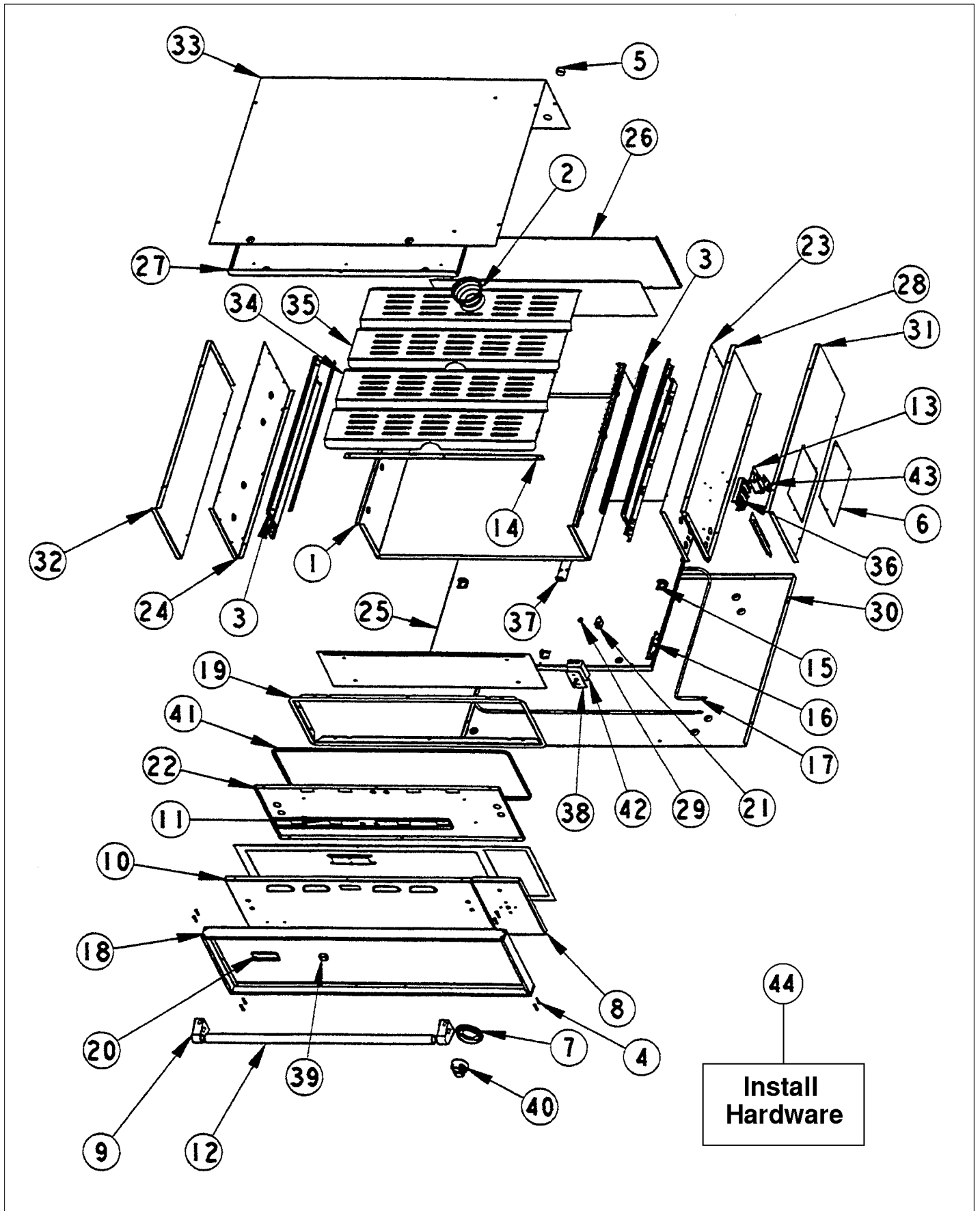
UNIT COMPONENTS	1
Appendix A:Pages Index	A
Appendix B:Parts Index	B

UNIT COMPONENTS



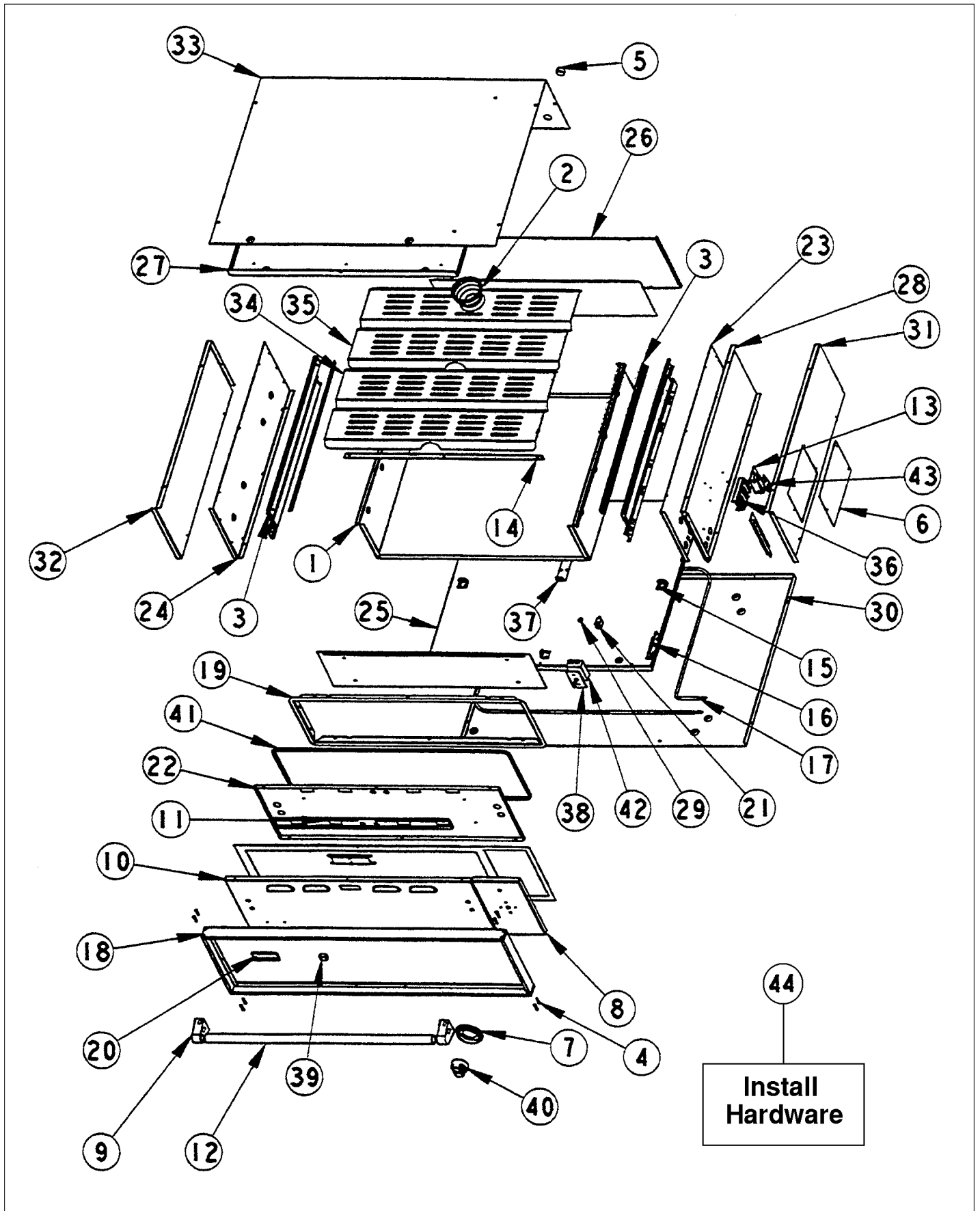


Item	Part No.	Name	Qty	Uom	NOTES
1	G3004143	WARMING DRAWER WELD ASSY - (30")	1	EA	
2	PA030005	6OZ. STAINLESS STEEL BOWL (6960)	1	EA	
3	PC020022	WARMING DRAWER SLIDES	1	EA	
4	PD020150	' #6 X 1/2 PH. CT. SK. SMS. ""SS""	1	EA	
5	PD040005	SNAP BUSHING - 7/8"	1	EA	
6	B1004135	ACCESS PLATE (VEWDT)	1	EA	NO LONGER AVAILABLE, Not available online / Call for pricing and availability
7	050172-000	BEZEL, KNOB	1	EA	
Not Shown	PB010172	BEZEL NEW BR REPL PB010107	1	EA	
8	B9204178	CTRL PAN)SLK SCR) *SS* (VEWD102)	1	EA	
Not Shown	C9204178FG	CTRL PAN (SLK SCR) *FG* (VEWD102)	1	EA	NO LONGER AVAILABLE, Not available online / Call for pricing and availability
Not Shown	C9204178GG	CTRL PAN (SLK SCR) *GG* (VEWD102)	1	EA	NO LONGER AVAILABLE, Not available online / Call for pricing and availability
Not Shown	C9204178VB	CTRL PAN (SLK SCR) *VB* (VEWD102)	1	EA	NO LONGER AVAILABLE, Not available online / Call for pricing and availability
NI	B2004867	OD CTRL PNL RAIN GUARD (VEWDT)	1	EA	NO LONGER AVAILABLE, Not available online / Call for pricing and availability
9	000268-000	HANDLE ENDCAP	1	EA	
Not Shown	PE030001PVD	END CAP DOOR HANDLE *BR	1	EA	
10	B9204172	O/S DOOR PANEL *SLK SCREEN*VEWD102	1	EA	
Not Shown	B9204172FG	O/S DOOR PNL *SLK SCREEN*(VEWD102T)	1	EA	NO LONGER AVAILABLE, Not available online / Call for pricing and availability



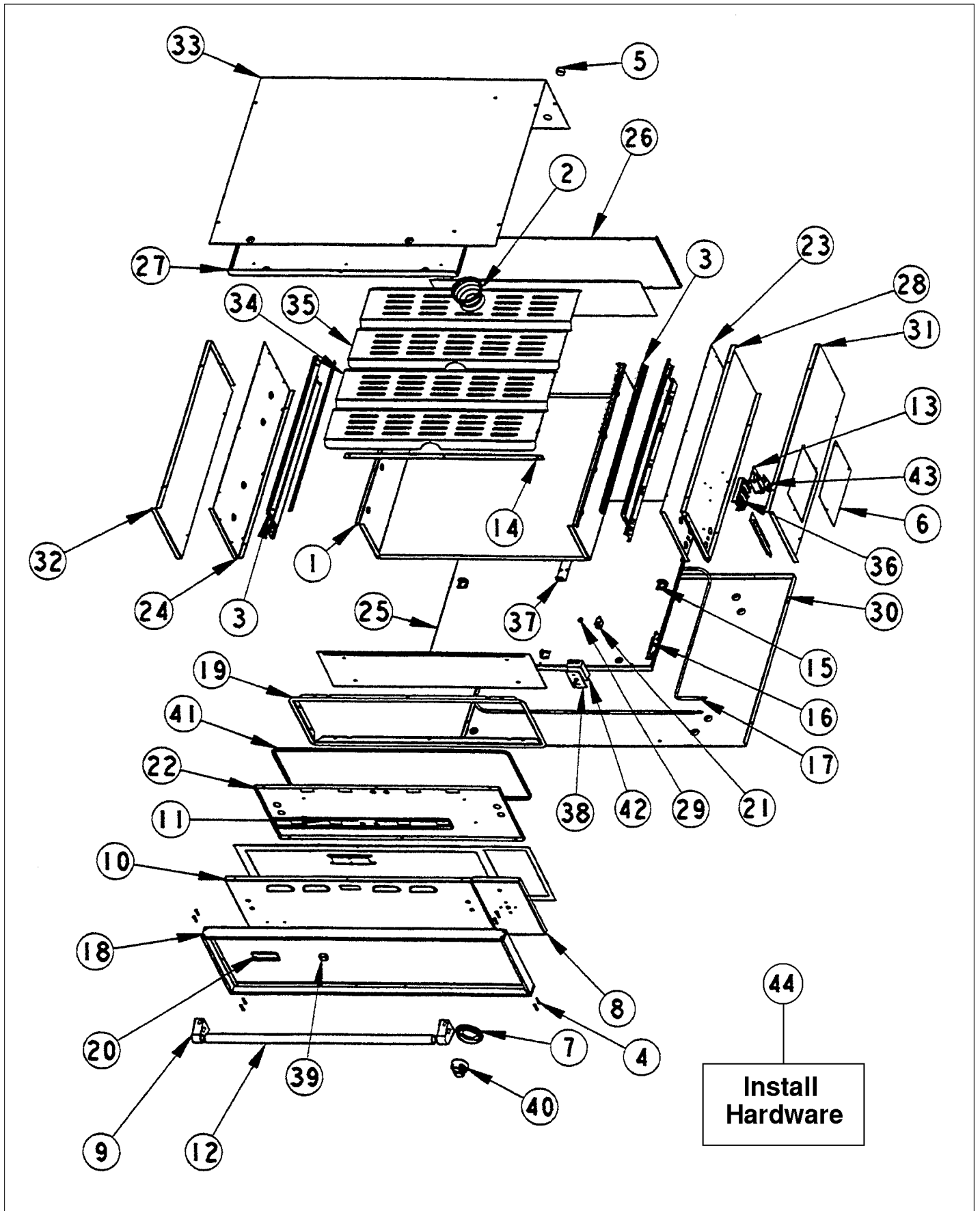


Item	Part No.	Name	Qty	Uom	NOTES
Not Shown	B9204172GG	O/S DOOR PNL *SLK SCREEN*(VEWD102T)	1	EA	NO LONGER AVAILABLE, Not available online / Call for pricing and availability
Not Shown	B9204172VB	O/S DOOR PNL *SLK SCREEN*(VEWD102T)	1	EA	NO LONGER AVAILABLE, Not available online / Call for pricing and availability
11	G3004195	DOOR SLIDE ASSY (VEWD102/162)	1	EA	
12	PE030062	WARMING DRAWER HANDLE SS VEWD102	1	EA	
Not Shown	F0005008	WARMING DRAWER HANDLE *BR* VEWD102	1	EA	Not available online / Call for pricing and availability
13	B2002195	POWER CORD MOUNTING BRKT (VEWDT)	1	EA	NO LONGER AVAILABLE, Not available online / Call for pricing and availability
14	B2004126	DRAWER STOP 30"	1	EA	Not available online / Call for pricing and availability
NI	G3207303FG	30" DOOR ASSY*FG*(VEWD102T)	1	EA	NO LONGER AVAILABLE, Not available online / Call for pricing and availability
Not Shown	G3207303FGBR	COMPLETE DOOR ASSY. - FGBR	1	EA	Not available online / Call for pricing and availability
Not Shown	G3207303GG	30" DOOR ASSY*GG* (VEWD102T)	1	EA	
Not Shown	G3207303GGBR	COMPLETE DOOR ASSY. - GGBR	1	EA	Not available online / Call for pricing and availability
Not Shown	G3207303SS	30" DOOR ASSY *SS* (VEWD102T)	1	EA	NO LONGER AVAILABLE, Not available online / Call for pricing and availability
Not Shown	G3207303SSBR	COMPLETE DOOR ASSY. - SSBR	1	EA	Not available online / Call for pricing and availability



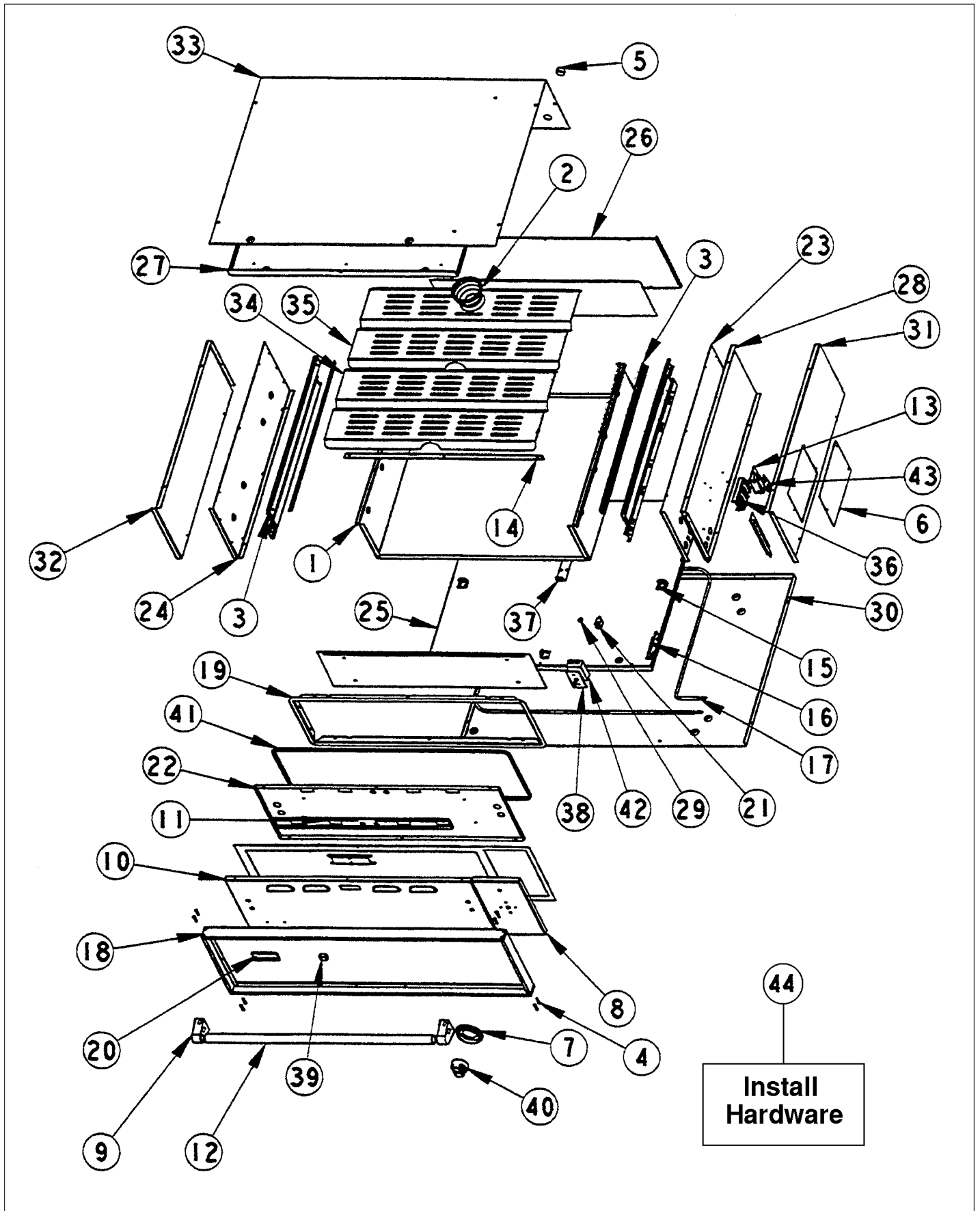


Item	Part No.	Name	Qty	Uom	NOTES
Not Shown	G3207303VB	30" DOOR ASSY*VB* (VEWD102T)	1	EA	NO LONGER AVAILABLE, Not available online / Call for pricing and availability
Not Shown	G3207303VBBR	COMPLETE DOOR ASSY. - VBBR	1	EA	Not available online / Call for pricing and availability
15	B2004147	ELEMENT BRACKET (VEWD)	1	EA	
16	B2004141	BRACKET	1	EA	
17	PJ010009	ELEMENT - 30" (VEWD)	1	EA	
18	G3104139	FRONT FRAME ASSY (VEWD102)	1	EA	
19	B2004179	GASKET FRAME (VEWD102)	1	EA	
20	PE010142	3" VIKING LOGO BLACK/CHROME	1	EA	
Not Shown	PE010143	3" LOGO BK/BR	1	EA	
21	PE050024	OVEN IND. LIGHT (LIGHT HOUSING)	1	EA	
<p>Comments for Part Num. PE050024</p> <p>haarnink@vikingrange.com on Jan 14, 2019</p> <p>please note that the indicator light is now part 043135-000 but needs the Jumper harness 051443-000. and second option there are units in the field with a 230V indicator light part number 036566-000.</p> <p>please check this for all "E" module ranges/Tops</p>					
22	B2004177	INSIDE DOOR PANEL - 30" (VEWD)	1	EA	NO LONGER AVAILABLE
23	B2004151	INSIDE PANEL RH (VEWD)	1	EA	NO LONGER AVAILABLE
24	B2004152	INSIDE PANEL LH (VEWD)	1	EA	NO LONGER AVAILABLE
25	B2004174	BOTTOM INSIDE PANEL - 30" (VEWD)	1	EA	NO LONGER AVAILABLE, Not available online / Call for pricing and availability
26	B2004176	REAR INSIDE PANEL - 30" (VEWD)	1	EA	NO LONGER AVAILABLE





Item	Part No.	Name	Qty	Uom	NOTES
27	B2004175	TOP INSIDE PANEL - 30"	1	EA	NO LONGER AVAILABLE, Not available online / Call for pricing and availability
28	B2004160	INSULATION PANEL (VEWDT)	1	EA	NO LONGER AVAILABLE, Not available online / Call for pricing and availability
29	PE050023	OVEN IND. LIGHT (LENS & BEZEL)	1	EA	
30	B2004169	OUTER BOTTOM PANEL 30" (VEWD102T)	1	EA	NO LONGER AVAILABLE, Not available online / Call for pricing and availability
31	B2004157	OUTER SIDE PANEL RH (VEWDT)	1	EA	NO LONGER AVAILABLE, Not available online / Call for pricing and availability
32	B2004158	OUTER SIDE PANEL LH (VEWDT)	1	EA	NO LONGER AVAILABLE, Not available online / Call for pricing and availability
33	B2004171	30" OUTER TOP PANEL (VEWDT)	1	EA	NO LONGER AVAILABLE, Not available online / Call for pricing and availability
34	B2004131	FRONT RACK - 30" (VEWD)	1	EA	
35	B2004132	REAR RACK - 30" (VEWD)	1	EA	
36	PE070147	TERMINAL BLOCK (VDSC)	1	EA	
37	B2004148	THERMAL BULB BRKT (VEWD)	1	EA	
38	B1004146	THERMOSTAT SPACER (VEWD)	1	EA	NO LONGER AVAILABLE
39	PA010072	MOISTURE SELECTOR KNOB *BK* (VEWD)	1	EA	
40	PB010168	T/STAT KB BK REPL PW100008BK	1	EA	
41	PB070072	WARMING DRAWER GASKET 6'/UNIT	1	EA	
42	PB010167	THERMOSTAT	1	EA	
43	A1002457	POWER CORD MOUNTING STRAP (VDSC)	1	EA	





Item	Part No.	Name	Qty	Uom	NOTES
NI	G4004149	WIRE HARNESS (VEWD)	1	EA	NO LONGER AVAILABLE, Not available online / Call for pricing and availability
NI	G4004150	SUB TO PE070377 - WIRE HARNESS (VEWD)	1	EA	NO LONGER AVAILABLE, Not available online / Call for pricing and availability
NI	G4004197	WIRE HARNESS (VEWD)	1	EA	NO LONGER AVAILABLE, Not available online / Call for pricing and availability
NI	G4004198	WIRE HARNESS (VEWD)	1	EA	NO LONGER AVAILABLE, Not available online / Call for pricing and availability
NI	G4004199	WIRE HARNESS (VEWD)	1	EA	NO LONGER AVAILABLE, Not available online / Call for pricing and availability
NI	B1002457	STRAIN RELEIF (VEWDT)	1	EA	NO LONGER AVAILABLE, Not available online / Call for pricing and availability
NI	PB070034	INSULATION-TRS-10 1" X 20" X 77' ROLL	1	EA	
NI	PD950012	STRIKE PANEL ACCESS	1	EA	
NI	PD950013	LATCH PANEL ACCESS	1	EA	



Appendix A:Pages Index

UNIT COMPONENTS 1



Appendix B:Parts Index

000268-000	1	G3207303GG	1
050172-000	1	G3207303GGBR	1
A1002457	1	G3207303SS	1
B1002457	1	G3207303SSBR	1
B1004135	1	G3207303VB	1
B1004146	1	G3207303VBRR	1
B2002195	1	G4004149	1
B2004126	1	G4004150	1
B2004131	1	G4004197	1
B2004132	1	G4004198	1
B2004141	1	G4004199	1
B2004147	1	PA010072	1
B2004148	1	PA030005	1
B2004151	1	PB010167	1
B2004152	1	PB010168	1
B2004157	1	PB010172	1
B2004158	1	PB070034	1
B2004160	1	PB070072	1
B2004169	1	PC020022	1
B2004171	1	PD020150	1
B2004174	1	PD040005	1
B2004175	1	PD950012	1
B2004176	1	PD950013	1
B2004177	1	PE010142	1
B2004179	1	PE010143	1
B2004867	1	PE030001PVD	1
B9204172	1	PE030062	1
B9204172FG	1	PE050023	1
B9204172GG	1	PE050024	1
B9204172VB	1	PE070147	1
B9204178	1	PJ010009	1
C9204178FG	1		
C9204178GG	1		
C9204178VB	1		
F0005008	1		
G3004143	1		
G3004195	1		
G3104139	1		
G3207303FG	1		
G3207303FGBR	1		