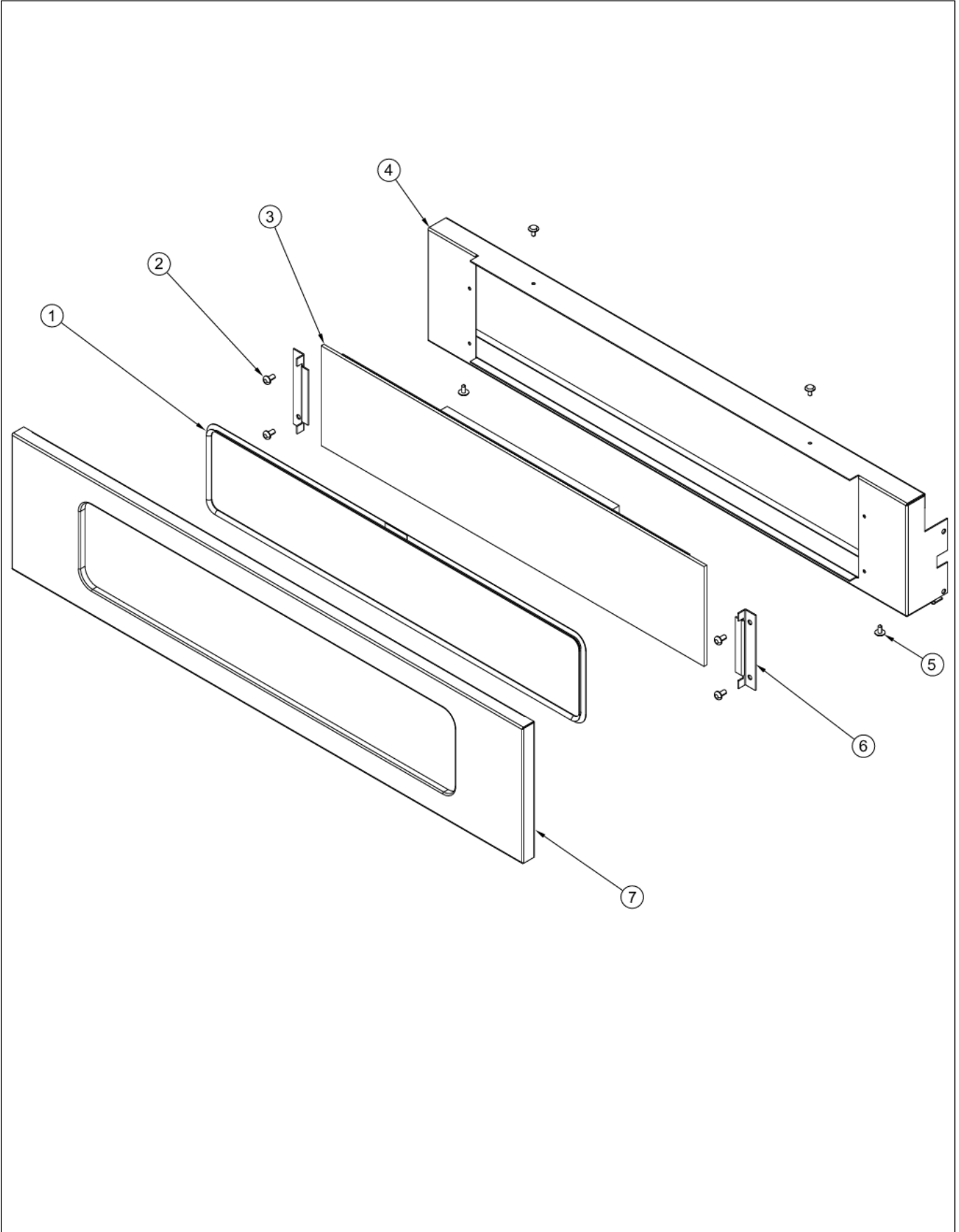


VESO5302T

| | |
|--------------------------------|---|
| CONTROL AREA | 1 |
| CONTROL BD WIRING | 2 |
| DOOR ASSEMBLY | 3 |
| LOWER UNIT AND SIDE TRIM | 4 |
| OVEN CAVITY | 5 |
| UPPER EXTERIOR AREA | 6 |
| Appendix A:Pages Index | A |
| Appendix B:Parts Index | B |

CONTROL AREA

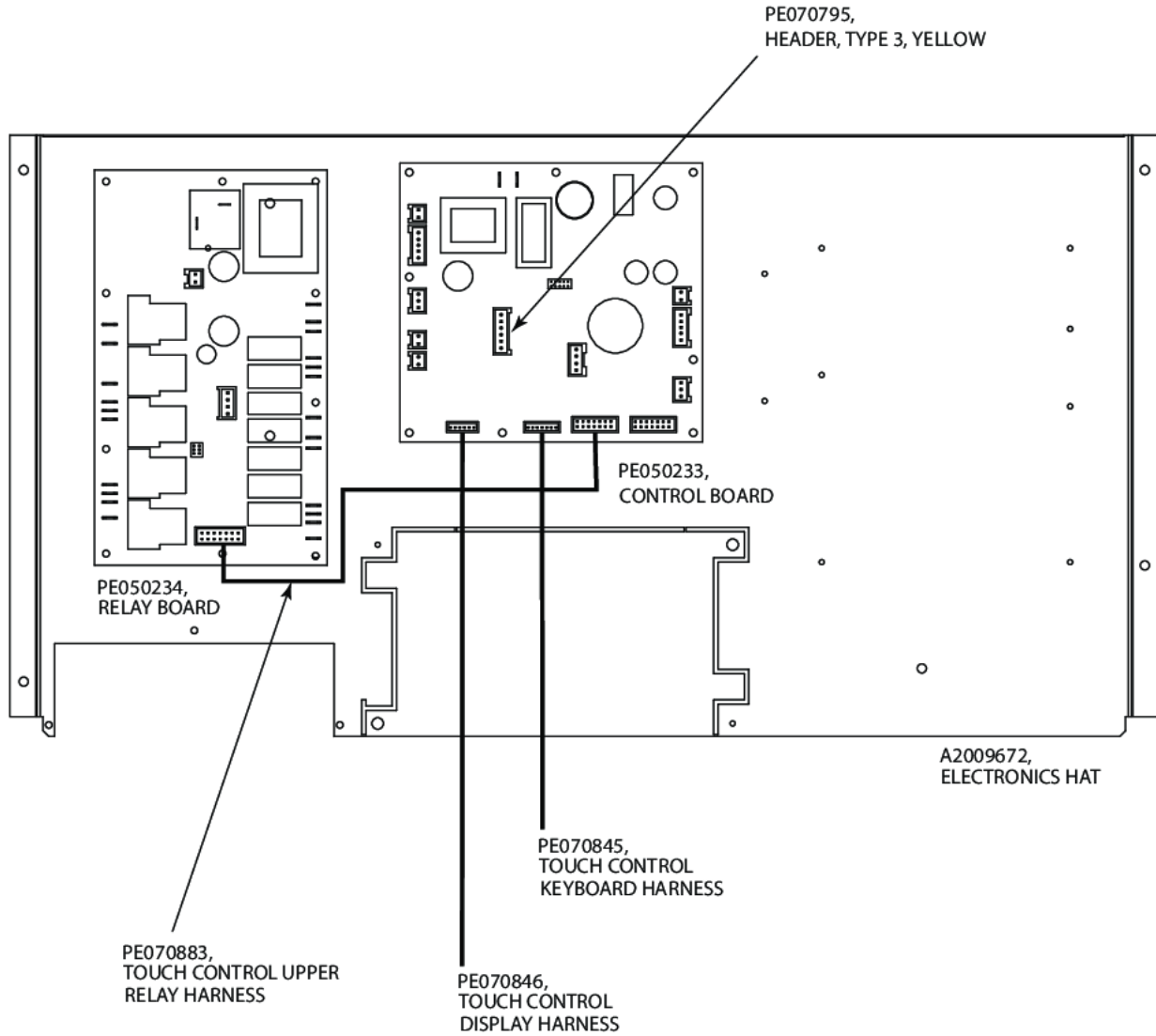




| Item | Part No. | Name | Qty | Uom | NOTES |
|------|-------------|--|-----|-----|-------|
| 1 | 000816-000 | 30" J-MOLD (CHROME) | 1 | EA | |
| 2 | PD020004 | 10X3/8PH.HD.TYPE 25 REPL PD040125 | 4 | EA | |
| 3 | 036796-2022 | SINGLE PREMIER TOUCH PANEL | 1 | EA | |
| 4 | 025065-000 | PNL, CTRL, MT, 30" | 1 | EA | |
| 5 | PD020032 | SRW-8(A)X3/8"PH.WFR HD 7/16DIA*NICL | 4 | EA | |
| 6 | 025067-000 | BRACKET, TOUCH | 2 | EA | |
| 7 | 025066-000 | 30" SS TOUCH CONTROL PANEL | 1 | EA | |

CONTROL BD WIRING

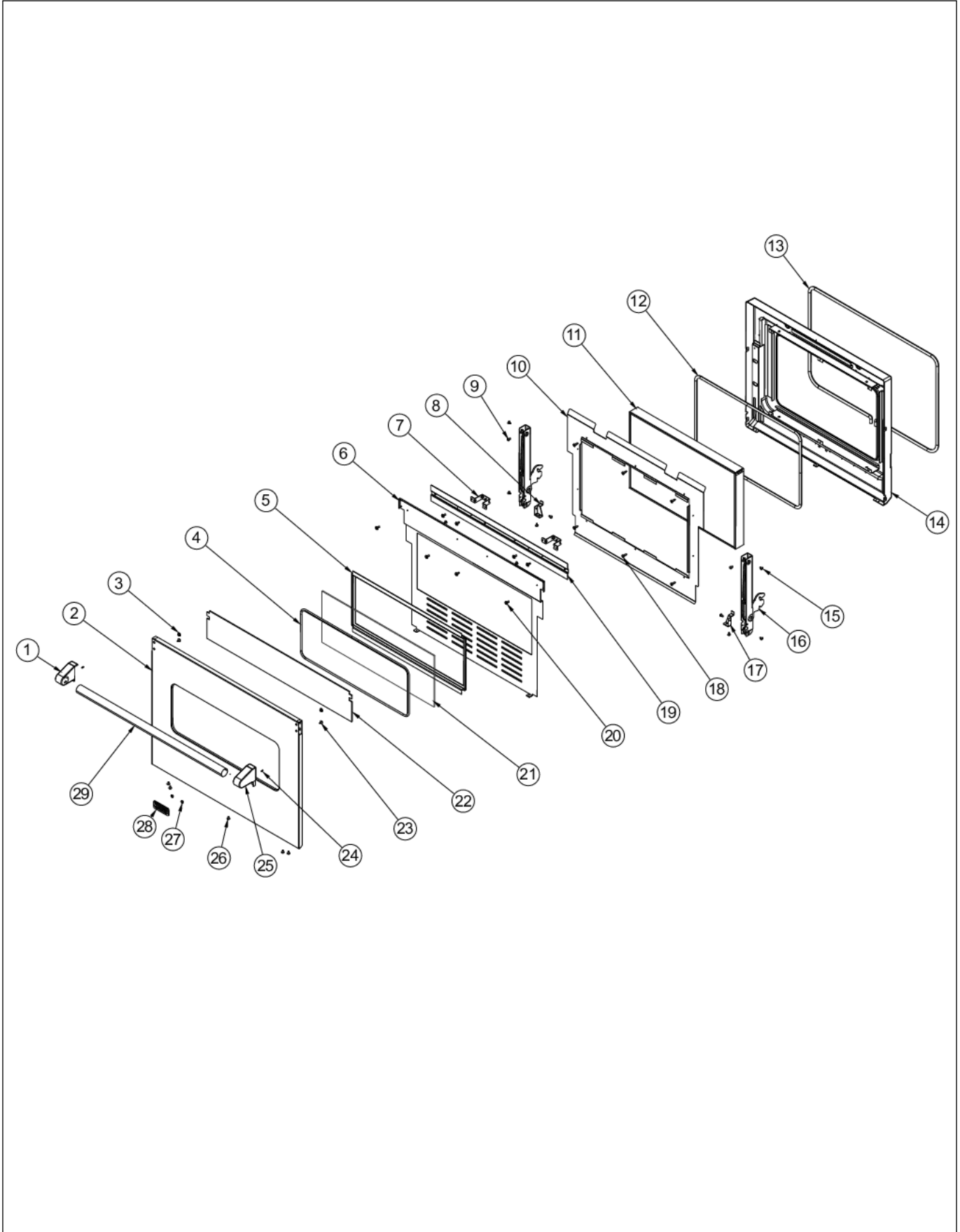
CONTROL/RELAY BOARD WIRING
(TOP VIEW)



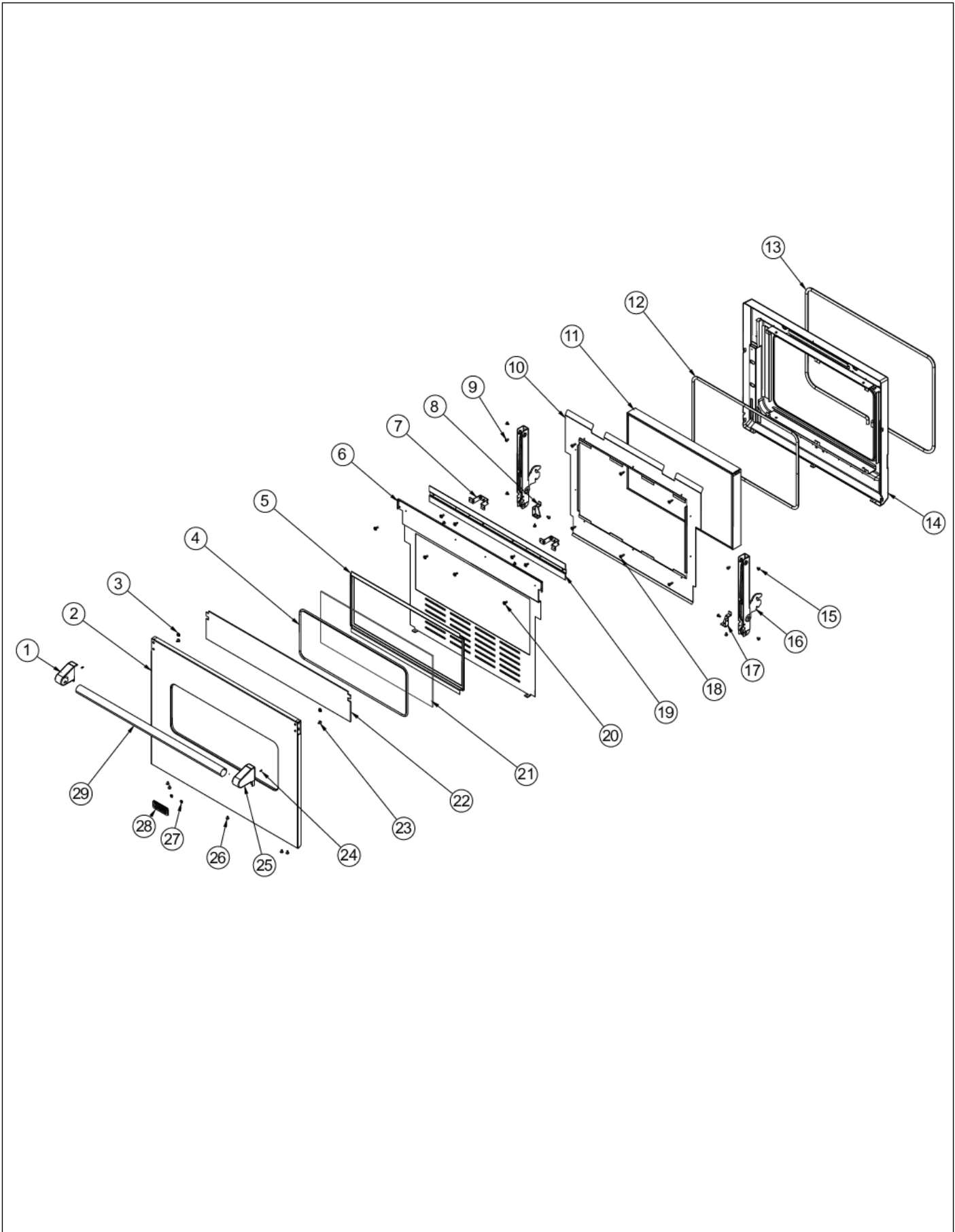


| Item | Part No. | Name | Qty | Uom | NOTES |
|------|------------|---|-----|-----|-------|
| N/A | PE050234 | RELAY BOARD | 1 | EA | |
| N/A | PE050233 | Control Board | 1 | EA | |
| N/A | 005292-000 | HARN,HEADER, MODEL 5 (SEE MODEL_HEADER) | 1 | EA | |
| N/A | PE070845 | TOUCH CONTROL KEYBOARD HARNESS | 1 | EA | |
| N/A | PE070846 | TOUCH CONTROL DISPLAY HARNESS | 1 | EA | |

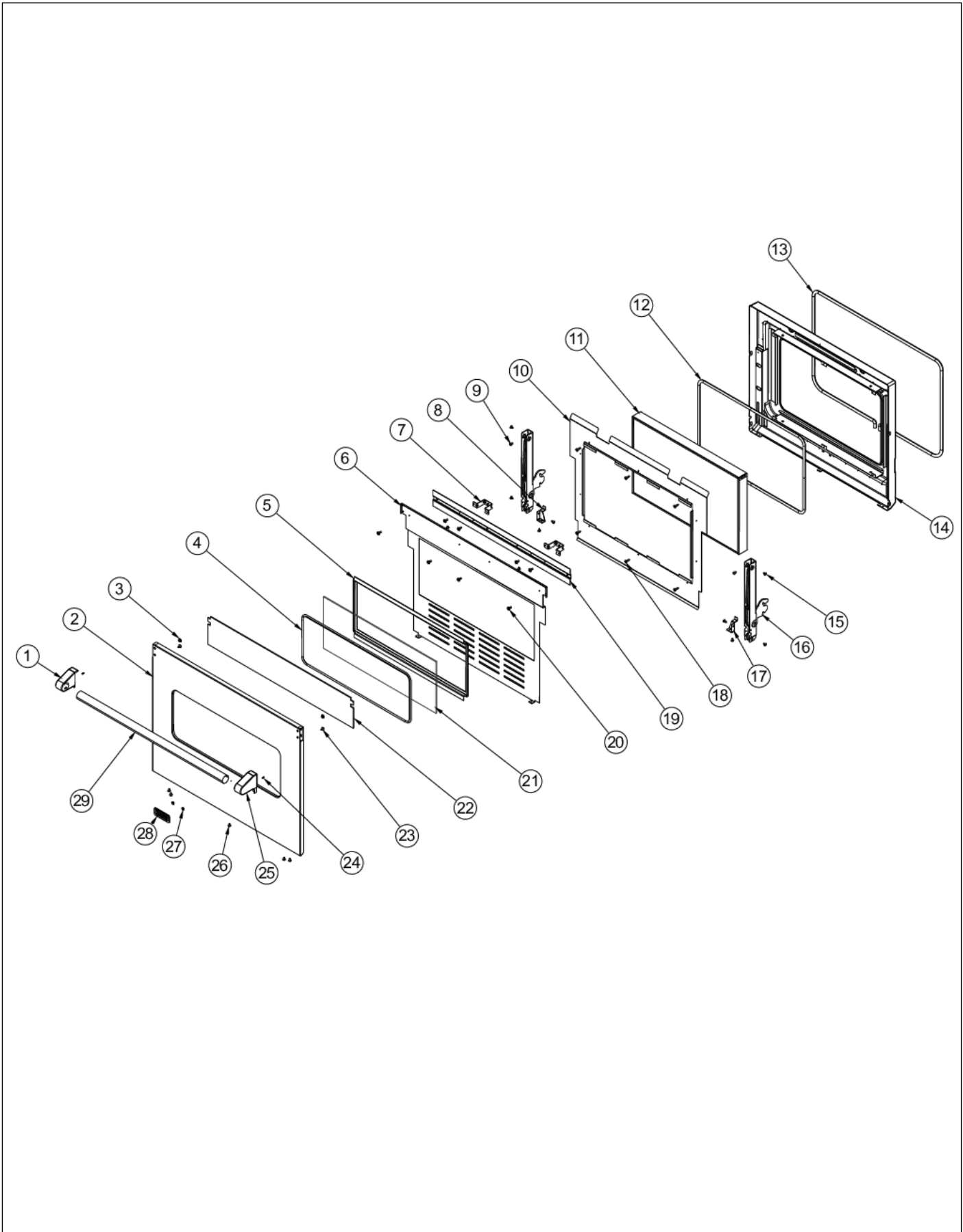
DOOR ASSEMBLY



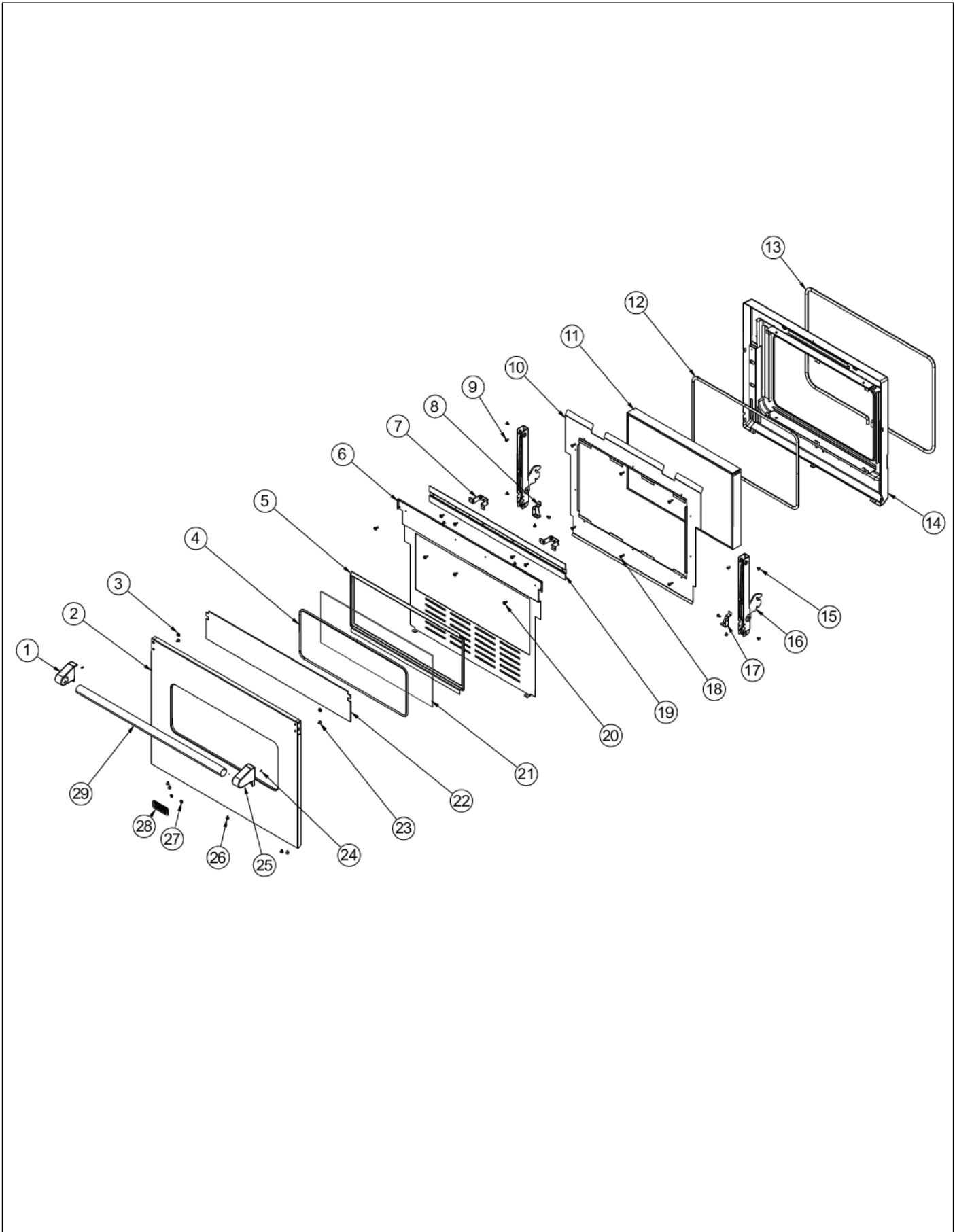
| Item | Part No. | Name | Qty | Uom | NOTES |
|-----------|------------|---|-----|-----|---------------------------------|
| 1 | 025186-000 | ENDCAP,DOOR HDL,ASM,LH | 1 | EA | |
| 1 | 025186-100 | ENDCAP, DOOR HDL, ASM, LH, BR | 1 | EA | |
| 2 | 023992-000 | PANEL,DOOR,W LOGO 30", SS | 1 | EA | |
| 3 | 004907-000 | STEEL FINISHING PLUG, NICKEL PLTD 25/64" HOLE | 2 | EA | |
| 4 | PE060105 | 30" J-MOLD (CHROME) | 1 | EA | |
| 5 | L20014077 | 30" WINDOW HOLDER | 1 | EA | |
| 6 | 023994-000 | PANEL,INSL | 1 | EA | |
| 7 | 024005-000 | BRACKET | 2 | EA | |
| 8 | A20012641 | HINGE SUPPORT LH | 1 | EA | |
| 9 | PD020004 | 10X3/8PH.HD.TYPE 25 REPL PD040125 | 4 | EA | |
| 10 | A2009632 | PANEL, INULATION, INNER DOOR | 1 | EA | |
| 11 | PE060094 | 30 WINDOW PACK | 1 | EA | |
| 12 | 000594-000 | BLACK FIBERGLASS ROPE 3/8 | 1 | EA | |
| 13 | PB070246 | 30" DOOR GASKET | 1 | EA | |
| 14 | G9109625 | DOOR LINER PORC. | 1 | EA | |
| Not Shown | NOTE | (BEFORE 12/20/12) | | EA | |
| 14 | G9109625BK | LINER,DOOR,PORC 30" BK | 1 | EA | |
| Not Shown | NOTE | (ON OR AFTER 12/20/12) | | EA | |
| 15 | PD020063 | SCREW-#8(A) X 3/8"PH WFR HD/BK OXID | 8 | EA | |
| 16 | 023799-000 | HINGE, MANSFIELD, RED | 2 | EA | See TC-0121-SP Service Bulletin |
| 17 | A20012640 | HINGE SUPPORT RH | 1 | EA | |
| 18 | PD020014 | 10X3/4 PH TR HD SMS | 6 | EA | |
| 19 | 002732-000 | DOOR SKIN MOUNTING BRACKET ASSY | 1 | EA | |
| 20 | PD020033 | SRW-#10-24X1/2"(23)PH.WFR HD (NKL) | 8 | EA | |
| 21 | PE060090 | 30" PROF. OUTER DOOR GLASS | 1 | EA | |
| 22 | 025264-000 | PANEL,INSL,30", DOOR | 1 | EA | |



| Item | Part No. | Name | Qty | Uom | NOTES |
|------|------------|-------------------------------------|-----|-----|--|
| 23 | PD020073 | SRW #10 X 24 X 3/8 WAFER HD TYPE23 | 2 | EA | |
| 24 | 003650-000 | SET SCREW | 2 | EA | Not available online / Call for pricing and availability |
| 25 | 025187-000 | ENDCAP,DOOR HDL,ASM,RH | 1 | EA | |
| 25 | 025187-100 | ENDCAP, DOOR HDL, ASM, RH, BR | 1 | EA | |
| 26 | PD020032 | SRW-8(A)X3/8"PH.WFR HD 7/16DIA*NICL | 5 | EA | |
| 27 | PD030006 | CAPPED WASHER PAL NUT | 2 | EA | |
| 28 | PE010142 | 3" VIKING LOGO BLACK/CHROME | 1 | EA | |
| 28 | PE010143 | 3" LOGO BK/BR | 1 | EA | |
| 28 | PE010145 | LOGO - WH / BR | 1 | EA | |
| 29 | 023998-000 | HANDLE DOOR 30" 29.126 | 1 | EA | |
| NI | 023995-000 | 30" PRO DOOR PANEL ASM, W/LOGO, SS | 1 | EA | |
| NI | 025510-002 | 30" PRO DOOR PANEL ASM W/LOGO, BK | 1 | EA | |
| NI | 025510-003 | 30" PRO DOOR PANEL ASM W/LOGO, BT | 1 | EA | |
| NI | 025510-004 | 30" PRO DOOR PANEL ASM W/LOGO, SG | 1 | EA | |
| NI | 025510-005 | 30" PRO DOOR PANEL ASM W/LOGO, GG | 1 | EA | |
| NI | 025510-006 | 30" PRO DOOR PANEL ASM W/LOGO, WH | 1 | EA | |
| NI | 025510-008 | 30" DOOR PANEL ASM W/LOGO, BU | 1 | EA | |
| NI | 025510-009 | 30" PRO DOOR PANEL ASM W/LOGO, LE | 1 | EA | |
| NI | 025510-010 | 30" PRO DOOR PANEL ASM W/LOGO, MJ | 1 | EA | |
| NI | 025510-012 | 30" PRO DOOR PANEL ASM W/LOGO, VB | 1 | EA | |
| NI | 025510-013 | 30" PRO DOOR PANEL ASM W/LOGO, CB | 1 | EA | |
| NI | 025510-015 | 30" PRO DOOR PANEL ASM W/LOGO, PL | 1 | EA | |
| NI | 025510-016 | 30" PRO DOOR PANEL ASM W/LOGO, CH | 1 | EA | |

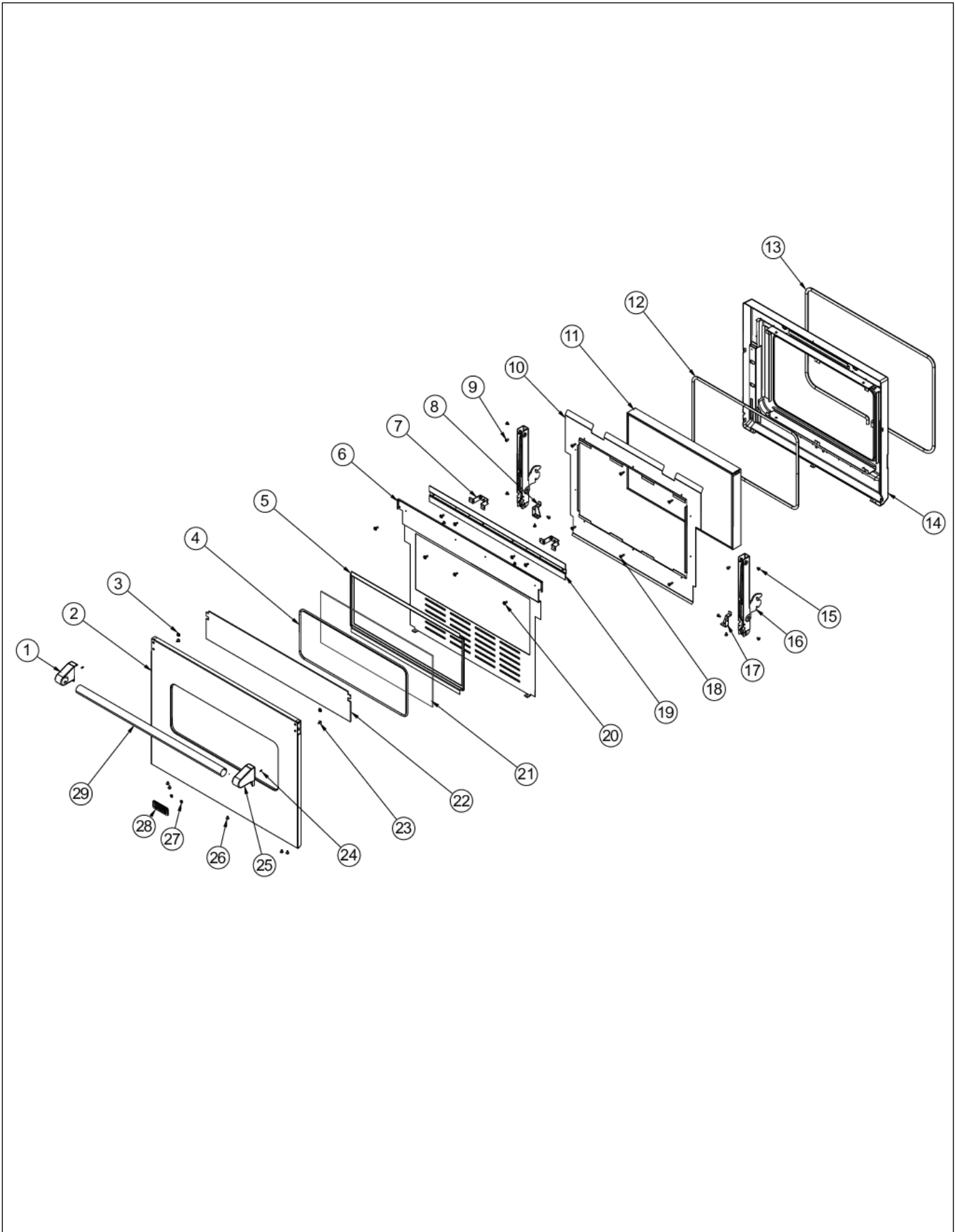


| Item | Part No. | Name | Qty | Uom | NOTES |
|------|------------|--|-----|-----|-------|
| NI | 025510-017 | 30" PRO DOOR PANEL ASM W/LOGO, TP | 1 | EA | |
| NI | 025510-018 | 30" PRO DOOR PANEL ASM W/LOGO, CW NLA | 1 | EA | |
| NI | 025510-019 | 30" PRO DOOR PANEL ASM W/LOGO, OG | 1 | EA | |
| NI | 025510-020 | 30" PRO DOOR PANEL ASM W/LOGO, GM | 1 | EA | |
| NI | 025510-021 | 30" PRO DOOR PANEL ASM W/LOGO, SA | 1 | EA | |
| NI | 025510-022 | 30" PRO DOOR PANEL ASM W/LOGO, SE | 1 | EA | |
| NI | 025510-023 | 30" PRO DOOR PANEL ASM W/LOGO, IB | 1 | EA | |
| NI | 025510-024 | 30" PRO DOOR PANEL ASM W/LOGO, AR | 1 | EA | |
| NI | 025510-025 | 30" PRO DOOR PANEL ASM W/LOGO, RR | 1 | EA | |
| NI | 025510-026 | 30" PRO DOOR PANEL ASM W/LOGO, PM | 1 | EA | |
| NI | 025510-027 | 30" PRO DOOR PANEL ASM W/LOGO, MS | 1 | EA | |
| NI | 023995-100 | 30" PRO DOOR PANEL ASM, W/LOGO, SS/BR - NLA | 1 | EA | |
| NI | 025510-102 | 30" PRO DOOR PANEL ASM W/LOGO, BK/BR | 1 | EA | |
| NI | 025510-103 | 30" PRO DOOR PANEL ASM W/LOGO, BT/BR | 1 | EA | |
| NI | 025510-104 | 30" PRO DOOR PANEL ASM W/LOGO, SG/BR | 1 | EA | |
| NI | 025510-105 | 30" PRO DOOR PANEL ASM W/LOGO, GG/BR | 1 | EA | |
| NI | 025510-106 | 30" PRO DOOR PANEL ASM W/LOGO, WH/BR | 1 | EA | |
| NI | 025510-108 | 30" PRO DOOR PANEL ASM W/LOGO, BU/BR | 1 | EA | |
| NI | 025510-109 | 30" PRO DOOR PANEL ASM W/LOGO, LE/BR | 1 | EA | |
| NI | 025510-110 | 30" PRO DOOR PANEL ASM W/LOGO, MJ/BR | 1 | EA | |
| NI | 025510-112 | 30" PRO DOOR PANEL ASM W/LOGO, VB/BR | 1 | EA | |
| NI | 025510-113 | 30" PRO DOOR PANEL ASM W/LOGO, CB/BR | 1 | EA | |



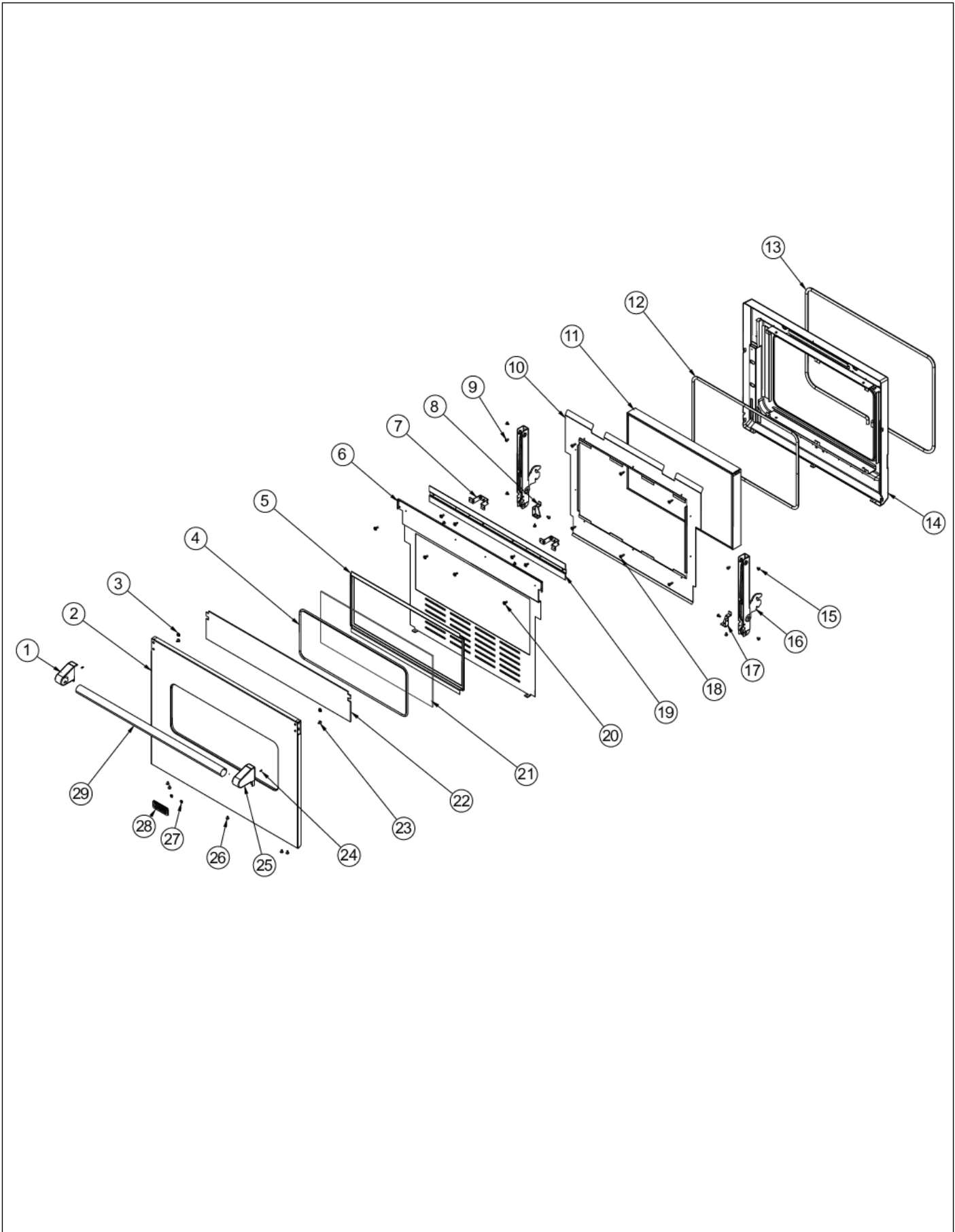


| Item | Part No. | Name | Qty | Uom | NOTES |
|------|------------|---|-----|-----|-------|
| NI | 025510-115 | 30" PRO DOOR PANEL ASM W/LOGO, PL/BR | 1 | EA | |
| NI | 025510-116 | 30" PRO DOOR PANEL ASM W/LOGO, CH/BR | 1 | EA | |
| NI | 025510-117 | 30" PRO DOOR PANEL ASM W/LOGO, TP/BR | 1 | EA | |
| NI | 025510-118 | 30" PRO DOOR PANEL ASM W/LOGO, CW/BR | 1 | EA | |
| NI | 025510-119 | 30" PRO DOOR PANEL ASM W/LOGO, OG/BR | 1 | EA | |
| NI | 025510-120 | 30" PRO DOOR PANEL ASM W/LOGO, GM/BR | 1 | EA | |
| NI | 025510-121 | 30" PRO DOOR PANEL ASM W/LOGO, SA/BR | 1 | EA | |
| NI | 025510-122 | 30" PRO DOOR PANEL ASM W/LOGO, SE/BR | 1 | EA | |
| NI | 025510-123 | 30" PRO DOOR PANEL ASM W/LOGO, IB/BR | 1 | EA | |
| NI | 025510-124 | 30" PRO DOOR PANEL ASM W/LOGO, AR/BR | 1 | EA | |
| NI | 025510-125 | 30" PRO DOOR PANEL ASM W/LOGO, RR/BR | 1 | EA | |
| NI | 025510-126 | 30" PRO DOOR PANEL ASM W/LOGO, PM/BR | 1 | EA | |
| NI | 025510-127 | 30" PRO DOOR PANEL ASM W/LOGO, MS/BR | 1 | EA | |
| NI | 023999-000 | 30" DOOR ASM, W/LOGO, SS | 1 | EA | |
| NI | 025511-002 | 30" DOOR ASM, W/LOGO, BK | 1 | EA | |
| NI | 025511-003 | 30" DOOR ASM, W/LOGO, BT | 1 | EA | |
| NI | 025511-004 | 30" DOOR ASM, W/LOGO, SG | 1 | EA | |
| NI | 025511-005 | 30" DOOR ASM, W/LOGO, GG | 1 | EA | |
| NI | 025511-006 | 30" DOOR ASM, W/LOGO, WH | 1 | EA | |
| NI | 025511-008 | 30" DOOR ASM, W/LOGO, BU | 1 | EA | |
| NI | 025511-009 | 30" DOOR ASM, W/LOGO, LE | 1 | EA | |
| NI | 025511-010 | 30" DOOR ASM, W/LOGO, MJ | 1 | EA | |
| NI | 025511-012 | 30" DOOR ASM, W/LOGO, VB | 1 | EA | |
| NI | 025511-013 | 30" DOOR ASM, W/LOGO, CB | 1 | EA | |
| NI | 025511-015 | 30" DOOR ASM, W/LOGO, PL | 1 | EA | |
| NI | 025511-016 | 30" DOOR ASM, W/LOGO, CH | 1 | EA | |





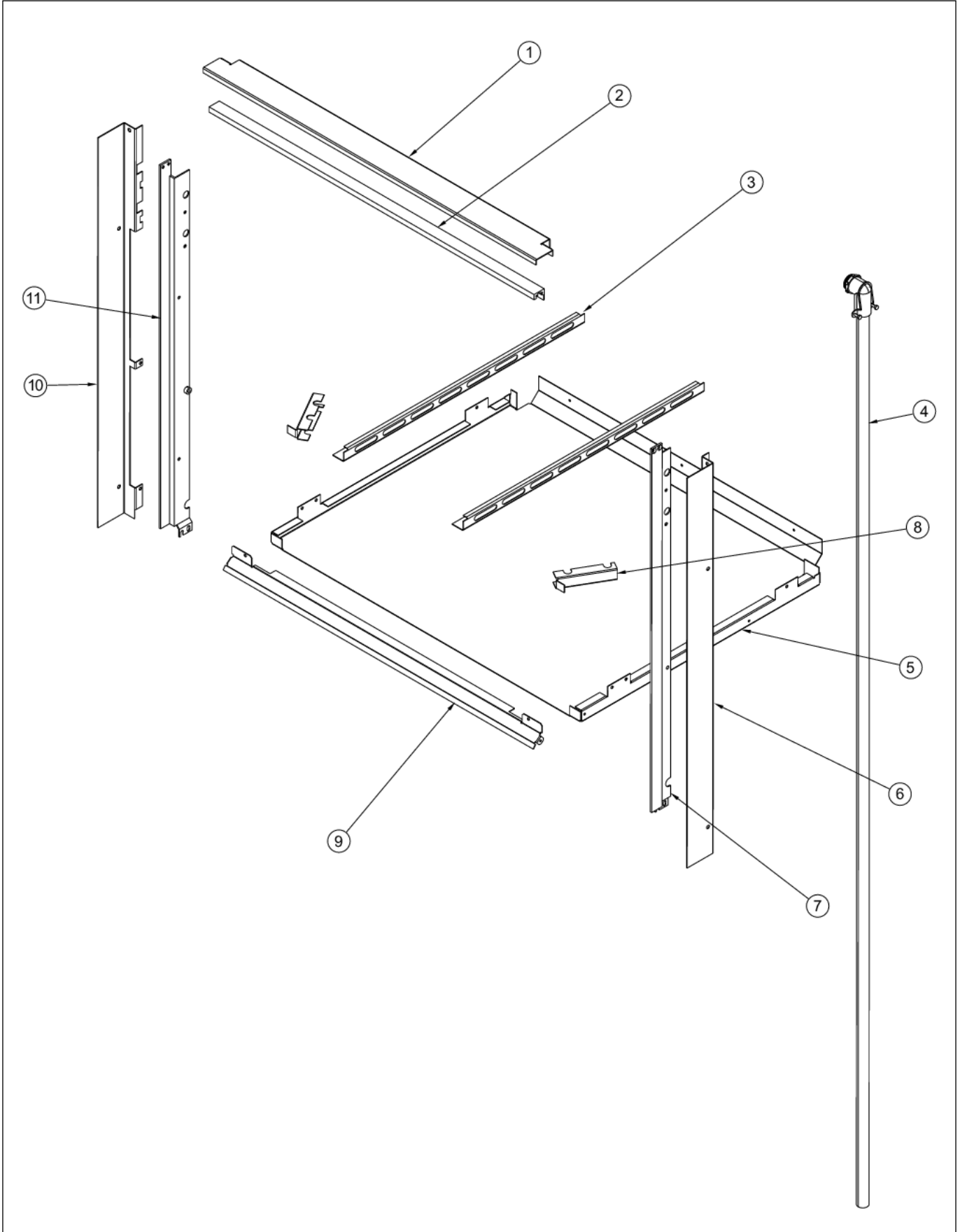
| Item | Part No. | Name | Qty | Uom | NOTES |
|------|------------|--------------------------------------|-----|-----|---|
| NI | 025511-017 | 30" DOOR ASM, W/LOGO, TP | 1 | EA | |
| NI | 025511-018 | 30" DOOR ASM, W/LOGO, CW NLA | 1 | EA | |
| NI | 025511-019 | 30" DOOR ASM, W/LOGO, OG | 1 | EA | |
| NI | 025511-020 | 30" DOOR ASM, W/LOGO, GM | 1 | EA | |
| NI | 025511-021 | 30" DOOR ASM, W/LOGO, SA | 1 | EA | |
| NI | 025511-022 | 30" DOOR ASM, W/LOGO, SE | 1 | EA | |
| NI | 025511-023 | 30" DOOR ASM, W/LOGO, IB | 1 | EA | |
| NI | 025511-024 | 30" DOOR ASM, W/LOGO, AR | 1 | EA | |
| NI | 025511-025 | 30" DOOR ASM, W/LOGO, RR | 1 | EA | |
| NI | 025511-026 | 30" DOOR ASM, W/LOGO, PM | 1 | EA | |
| NI | 025511-027 | 30" DOOR ASM, W/LOGO, MS | 1 | EA | |
| NI | 023999-100 | 30" DOOR ASM, W/LOGO, SS/BR - NLA | 1 | EA | |
| NI | 025511-102 | 30" DOOR ASM, W/LOGO, BK/BR | 1 | EA | |
| NI | 025511-106 | 30" DOOR ASM, W/LOGO, WH/BR | 1 | EA | Not available online / Call for pricing and availability |
| NI | 025511-108 | 30" DOOR ASM, W/LOGO, BU/BR | 1 | EA | |
| NI | 025511-109 | 30" DOOR ASM, W/LOGO, LE/BR | 1 | EA | |
| NI | 025511-110 | 30" DOOR ASM, W/LOGO, MJ/BR | 1 | EA | |
| NI | 025511-112 | 30" DOOR ASM, W/LOGO, VB/BR | 1 | EA | |
| NI | 025511-113 | 30" DOOR ASM, W/LOGO, CB/BR | 1 | EA | |
| NI | 025511-115 | 30" DOOR ASM, W/LOGO, PL/BR | 1 | EA | |
| NI | 025511-116 | 30" DOOR ASM, W/LOGO, CH/BR | 1 | EA | |
| NI | 025511-117 | 30" DOOR ASM, W/LOGO, TP/BR | 1 | EA | |
| NI | 025511-118 | 30" DOOR ASM, W/LOGO, CW/BR | 1 | EA | |
| NI | 025511-119 | 30" DOOR ASM, W/LOGO, OG/BR | 1 | EA | |





| Item | Part No. | Name | Qty | Uom | NOTES |
|-----------|------------|--|-----|-----|-------|
| NI | 025511-120 | 30" DOOR ASM, W/LOGO, GM/BR | 1 | EA | |
| NI | 025511-121 | 30" DOOR ASM, W/LOGO, SA/BR | 1 | EA | |
| NI | 025511-122 | 30" DOOR ASM, W/LOGO, SE/BR | 1 | EA | |
| NI | 025511-123 | 30" DOOR ASM, W/LOGO, IB/BR | 1 | EA | |
| NI | 025511-124 | 30" DOOR ASM, W/LOGO, AR/BR | 1 | EA | |
| NI | 025511-125 | 30" DOOR ASM, W/LOGO, RR/BR | 1 | EA | |
| NI | 025511-126 | 30" DOOR ASM, W/LOGO, PM/BR | 1 | EA | |
| NI | 025511-127 | 30" DOOR ASM, W/LOGO, MS/BR | 1 | EA | |
| NI | 036914-000 | 30 WALL OVEN DOOR SERVICE KIT | 1 | EA | |
| Not Shown | NOTE | (ON UNITS MANUFACTURED BEFORE 2/14/12) | | EA | |

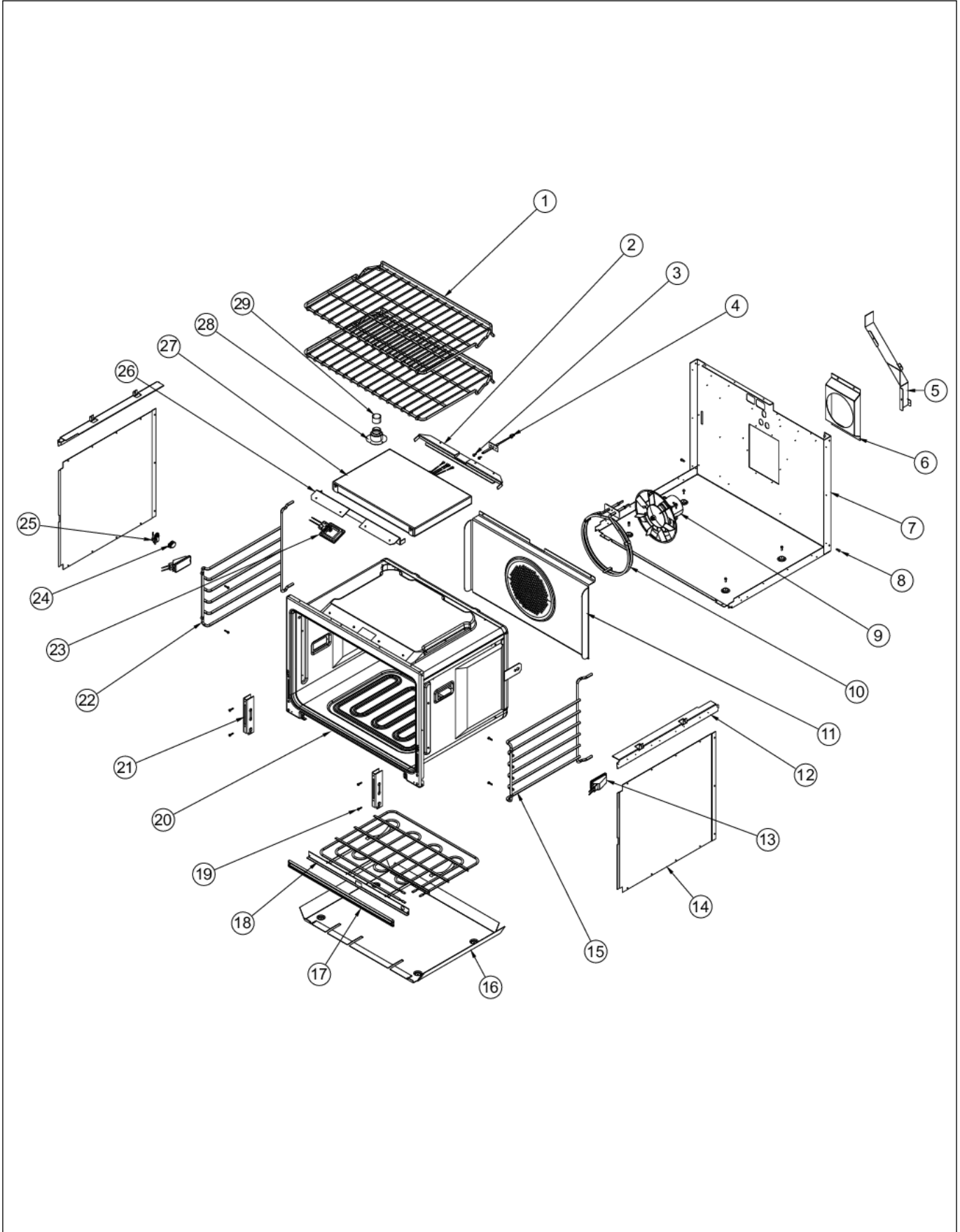
LOWER UNIT AND SIDE TRIM





| Item | Part No. | Name | Qty | Uom | NOTES |
|------|------------|-------------------------------|-----|-----|---|
| 1 | 024268-000 | TRIM, TOP, FLUSH, 30" | 1 | EA | |
| 2 | 024253-000 | TRIM, TOP, 30" | 1 | EA | |
| 3 | A20012740 | STIFFENER, BASE PAN | 2 | EA | NO LONGER AVAILABLE, Not available online / Call for pricing and availability |
| 4 | 040196-000 | CONDUIT, ELECTRICAL CORD, 48" | 1 | EA | |
| 5 | A2009623 | BASE PAN 30" | 1 | EA | NO LONGER AVAILABLE |
| 6 | 025521-000 | TRIM, R, FLUSH | 1 | EA | |
| 7 | 024254-000 | TRIM,EXTD,RH, SGL | 1 | EA | |
| 8 | A20012739 | BASE PAN CORNER BRACE | 2 | EA | NOT FIELD REPLACEABLE, Not available online / Call for pricing and availability |
| 9 | 025063-002 | VENT, DFTR, 30" | 1 | EA | |
| 10 | 025522-000 | TRIM, L, FLUSH | 1 | EA | |
| 11 | 024255-000 | TRIM,EXTD,LH, SGL | 1 | EA | |

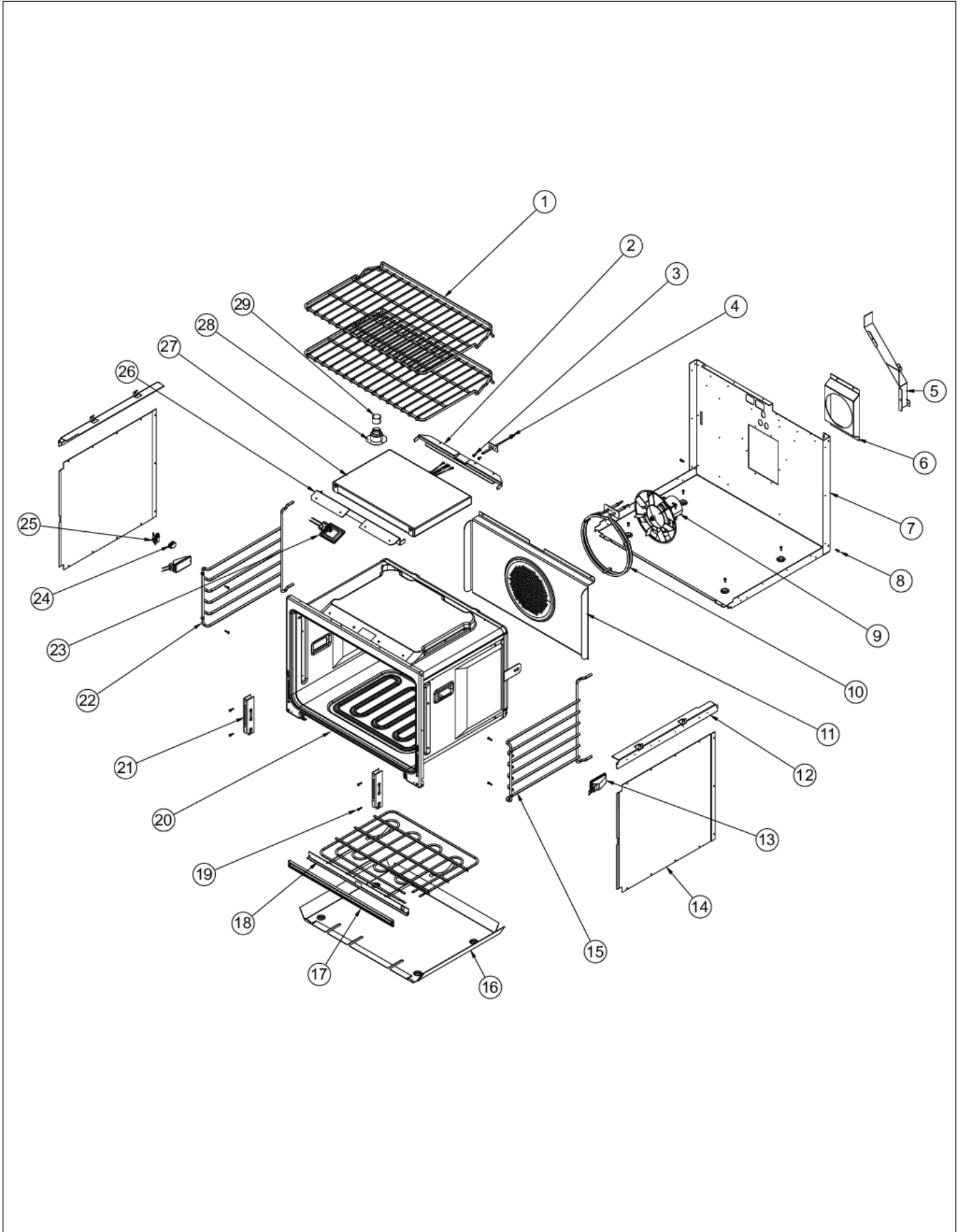
OVEN CAVITY



| Item | Part No. | Name | Qty | Uom | NOTES |
|-----------|---------------|--|-----|-----|---|
| 1 | PB060107 | 30" OVEN RACK | 1 | EA | |
| Not Shown | NOTE | (BEFORE 03/05/13) | | EA | |
| 1 | 041046-000 | RACK, DF, PRO, 30" | 1 | EA | |
| Not Shown | NOTE | (ON OR AFTER 03/05/13) | | EA | |
| NI | 024102-000 | PULLOUT RACK, 30" | 2 | EA | |
| 2 | 024221-000 | BRACKET, BROILER, REAR | 1 | EA | |
| 3 | PD020055 | ' #10 X 1/2" PAN PHIL. TEK.*SS* | 2 | EA | |
| 4 | PE050206 | RTD THERMOSTAT PROBE | 1 | EA | |
| 5 | A21010918 | BRACKET, AIR, CONVECTION MOTOR | 1 | EA | NO LONGER AVAILABLE, Not available online / Call for pricing and availability |
| 6 | A2009697 | BRACKET, CONVECTION INSULATION | 1 | EA | |
| 7 | UNSERVICEABLE | BASE, BACK WRAPPER | 1 | EA | |
| 8 | PD020060 | 10 X 1/2" (5/16)HEX WSHER HD.(T)A | 6 | EA | |
| 9 | G32014020 | CONVECTION FAN ASSY | 1 | EA | |
| 10 | PJ010047 | CONVECTION ELEMENT | 1 | EA | |
| 11 | G91013598 | 30" BAFFLE ASSEMBLY | 1 | EA | |
| 12 | A2009641 | BRKT, TOP WRAPPER | 2 | EA | |
| 13 | 005311-000 | LAMP, OVEN, 120V/25W | 2 | EA | |
| 14 | 014137-000 | WRAPPER, OVEN SIDE | 2 | EA | |
| 15 | 066478-402 | SUPPORT, RACK, RHS, PORCELAIN | 1 | EA | |
| Not Shown | NOTE | (BEFORE 12/20/12) | | EA | |
| 15 | 066226-402 | RACK SUPPORT, D3, ASM, RH, BK | 1 | EA | |
| Not Shown | NOTE | (ON OR AFTER 12/20/12) | | EA | |
| 16 | A2009612 | ELEMENT, MTG TRAY | 1 | EA | |
| 17 | E9109655 | COVER, BAKE TRAY | 1 | EA | |
| 18 | PJ010048 | BAKE ELEMENT | 1 | EA | |
| 19 | PD020232 | #8 X 3/4" PH PAN HEAD TEK SCREW (BLACK OXIDE) | 8 | EA | |



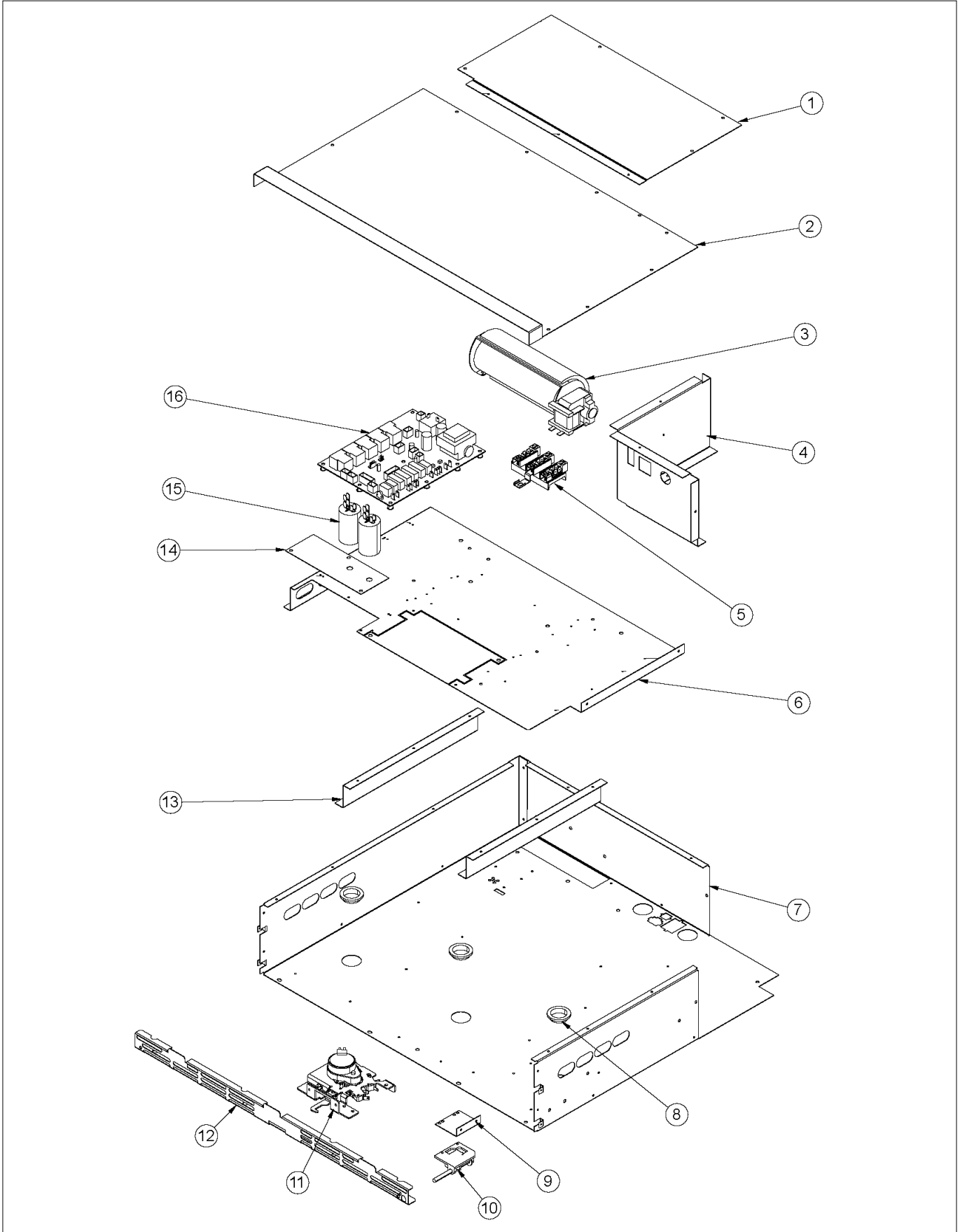
| Item | Part No. | Name | Qty | Uom | NOTES |
|--|---------------|--|-----|-----|--|
| 20 | UNSERVICEABLE | 30" PREMIERE CAVITY ASSY | 1 | EA | |
| 21 | PC020221 | HINGE POCKET RECEIVER MANSFIELD RH | 2 | EA | See TC-0121- SP Service Bulletin |
| 22 | 066479-402 | SUPPORT, RACK, LHS, PORCELAIN | 1 | EA | |
| Not Shown | NOTE | (BEFORE 12/20/12) | | EA | |
| 22 | 066227-402 | RACK SUPPORT, D3, ASM, LH, BK | 1 | EA | |
| Not Shown | NOTE | (ON OR AFTER 12/20/12) | | EA | |
| 23 | 020403-000 | LAMP, OVEN, 120V/40W | 1 | EA | |
| 24 | PM010160 | MEAT PROBE JACK COVER (SWITCHCRAFT'S PART# 2C1098) | 1 | EA | |
| 25 | PE050115 | MEAT PROBE JACK (SWITCHCRAFT'S PART# 3J1505) | 1 | EA | |
| <p>Comments for Part Num. PE050115</p> <p>bradleysapplianceservice@shaw.ca on May 8, 2017 Meat probe is not illustrated on Parts Break Down. PE050114 MEAT PROBE</p> | | | | | |
| 26 | 024234-000 | BRACKET, BROILER, FRONT | 1 | EA | |
| 27 | 024040-000 | ELEMENT, RIBBON | 1 | EA | |
| <p>Comments for Part Num. 024040-000</p> <p>jhobbs@kimballinc.com on Jan 4, 2019 Please Correct the part number on this (057872-000)</p> | | | | | |
| Not Shown | NOTE | BEFORE 07/25/14 | | EA | |
| 27 | 057872-000 | ELEMENT, BRL, ASM | 1 | EA | |
| <p>Comments for Part Num. 057872-000</p> <p>gboltz@VikingRange.com on Aug 17, 2018 When replacing the Ceramaspeed Broiler element (024040-000) with the EGO element, the original rear broiler bracket will need to be replaced with a replacement rear bracket, (013621-000) and a cover (016021-000)</p> | | | | | |
| Not Shown | NOTE | ON OR AFTER 07/25/14 | | EA | |





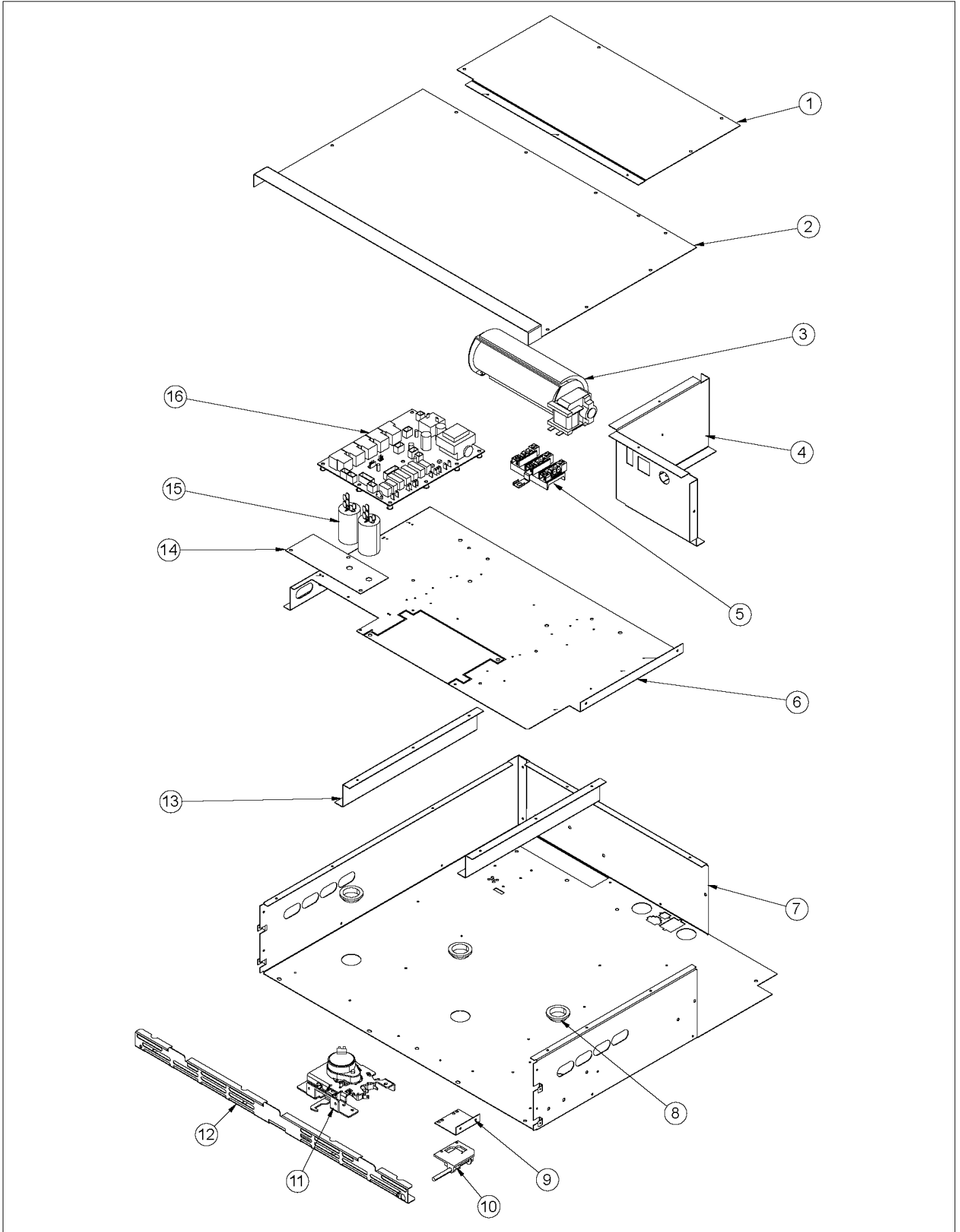
| Item | Part No. | Name | Qty | Uom | NOTES |
|------|----------|-------------------------|-----|-----|-------|
| 28 | PM010014 | SMOKE ELIMINATOR (VDSC) | 1 | EA | |
| 29 | PB020275 | VENT TUBE | 1 | EA | |

UPPER EXTERIOR AREA





| Item | Part No. | Name | Qty | Uom | NOTES |
|---|------------|---|-----|-----|--|
| 1 | A20014049 | 30" REAR COVER | 1 | EA | |
| 2 | 025057-000 | PANEL,CVR, TOP, FR, 30" | 1 | EA | |
| 3 | PE050250 | Blower | 1 | EA | |
| Comments for Part Num. PE050250 | | | | | |
| highendappsvc@gmail.com on Jan 28, 2019 | | | | | |
| If you need to replace cooling fan for the model vgsc5486gss serial date code 031412, do not order this fan, this fan is larger and configured wrong. The correct fan is 007794-000. it is smaller. | | | | | |
| Not Shown | NOTE | BEFORE 2/4/2013 | | EA | |
| 3 | 018607-000 | FAN, BLO, 220-240V 50/60Hz ASM (MT1664) | 1 | EA | |
| Not Shown | NOTE | AFTER 2/4/2013 | | EA | |
| 4 | A2009671 | BRACKET, POWER CABLE | 1 | EA | |
| 5 | PE070147 | TERMINAL BLOCK (VDSC) | 1 | EA | |
| 6 | 023367-000 | 30" MTG PANEL, CONTROL | 1 | EA | |
| 7 | A2009643 | Top Module Pan | 1 | EA | |
| 8 | PB070079 | SILICONE EXTRUSION (DGSU) | 5 | EA | |
| 9 | A20012649 | DOOR SWITCH BRACKET | 1 | EA | |
| 10 | PE050208 | DOOR SWITCH | 1 | EA | |
| 11 | 013250-000 | LATCH,DOOR,ASM,240V,GRID DLE LOCKOUT | 1 | EA | |
| Not Shown | NOTE | BEFORE 10/31/13 | | EA | |
| 11 | 039293-000 | LATCH, ELEC, 240V, ASSY | 1 | EA | |
| Not Shown | NOTE | ON OR AFTER 10/31/13 | | EA | |
| 12 | C20014072 | 30" INLET GRILL | 1 | EA | Not available online / Call for pricing and availability |
| 13 | A20010910 | Support Bracket, Electronics Hat | 2 | EA | Not available online / Call for pricing and availability |
| 14 | A10014028 | 2 CAPACITOR BRACKET | 1 | EA | |





| Item | Part No. | Name | Qty | Uom | NOTES |
|--|------------|-----------------------|-----|-----|-------|
| Comments for Part Num. A10014028 | | | | | |
| service@priorityappliance.com on Jan 17, 2019 | | | | | |
| The capacitors are part # 036047-000, found by looking up a VEDO130. Confirmed - they're the same capacitor. | | | | | |
| 15 | 053905-000 | CAPACITOR, MOTOR, 3uF | 2 | EA | |
| 16 | PE050233 | Control Board | 1 | EA | |
| NI | PE050234 | RELAY BOARD | 1 | EA | |



Appendix A:Pages Index

CONTROL AREA 1
CONTROL BD WIRING 2
DOOR ASSEMBLY 3
LOWER UNIT AND SIDE TRIM 4
OVEN CAVITY 5
UPPER EXTERIOR AREA 6



Appendix B:Parts Index

| | | | |
|------------|---|------------|---|
| 000594-000 | 3 | 025510-003 | 3 |
| 000816-000 | 1 | 025510-004 | 3 |
| 002732-000 | 3 | 025510-005 | 3 |
| 003650-000 | 3 | 025510-006 | 3 |
| 004907-000 | 3 | 025510-008 | 3 |
| 005292-000 | 2 | 025510-009 | 3 |
| 005311-000 | 5 | 025510-010 | 3 |
| 013250-000 | 6 | 025510-012 | 3 |
| 014137-000 | 5 | 025510-013 | 3 |
| 018607-000 | 6 | 025510-015 | 3 |
| 020403-000 | 5 | 025510-016 | 3 |
| 023367-000 | 6 | 025510-017 | 3 |
| 023799-000 | 3 | 025510-018 | 3 |
| 023992-000 | 3 | 025510-019 | 3 |
| 023994-000 | 3 | 025510-020 | 3 |
| 023995-000 | 3 | 025510-021 | 3 |
| 023995-100 | 3 | 025510-022 | 3 |
| 023998-000 | 3 | 025510-023 | 3 |
| 023999-000 | 3 | 025510-024 | 3 |
| 023999-100 | 3 | 025510-025 | 3 |
| 024005-000 | 3 | 025510-026 | 3 |
| 024040-000 | 5 | 025510-027 | 3 |
| 024102-000 | 5 | 025510-102 | 3 |
| 024221-000 | 5 | 025510-103 | 3 |
| 024234-000 | 5 | 025510-104 | 3 |
| 024253-000 | 4 | 025510-105 | 3 |
| 024254-000 | 4 | 025510-106 | 3 |
| 024255-000 | 4 | 025510-108 | 3 |
| 024268-000 | 4 | 025510-109 | 3 |
| 025057-000 | 6 | 025510-110 | 3 |
| 025063-002 | 4 | 025510-112 | 3 |
| 025065-000 | 1 | 025510-113 | 3 |
| 025066-000 | 1 | 025510-115 | 3 |
| 025067-000 | 1 | 025510-116 | 3 |
| 025186-000 | 3 | 025510-117 | 3 |
| 025186-100 | 3 | 025510-118 | 3 |
| 025187-000 | 3 | 025510-119 | 3 |
| 025187-100 | 3 | 025510-120 | 3 |
| 025264-000 | 3 | 025510-121 | 3 |
| 025510-002 | 3 | 025510-122 | 3 |
| | | 025510-123 | 3 |



| | | | |
|------------|---|-------------|---|
| 025510-124 | 3 | 025511-122 | 3 |
| 025510-125 | 3 | 025511-123 | 3 |
| 025510-126 | 3 | 025511-124 | 3 |
| 025510-127 | 3 | 025511-125 | 3 |
| 025511-002 | 3 | 025511-126 | 3 |
| 025511-003 | 3 | 025511-127 | 3 |
| 025511-004 | 3 | 025521-000 | 4 |
| 025511-005 | 3 | 025522-000 | 4 |
| 025511-006 | 3 | 036796-2022 | 1 |
| 025511-008 | 3 | 036914-000 | 3 |
| 025511-009 | 3 | 039293-000 | 6 |
| 025511-010 | 3 | 040196-000 | 4 |
| 025511-012 | 3 | 041046-000 | 5 |
| 025511-013 | 3 | 053905-000 | 6 |
| 025511-015 | 3 | 057872-000 | 5 |
| 025511-016 | 3 | 066226-402 | 5 |
| 025511-017 | 3 | 066227-402 | 5 |
| 025511-018 | 3 | 066478-402 | 5 |
| 025511-019 | 3 | 066479-402 | 5 |
| 025511-020 | 3 | A10014028 | 6 |
| 025511-021 | 3 | A20010910 | 6 |
| 025511-022 | 3 | A20012640 | 3 |
| 025511-023 | 3 | A20012641 | 3 |
| 025511-024 | 3 | A20012649 | 6 |
| 025511-025 | 3 | A20012739 | 4 |
| 025511-026 | 3 | A20012740 | 4 |
| 025511-027 | 3 | A20014049 | 6 |
| 025511-102 | 3 | A2009612 | 5 |
| 025511-106 | 3 | A2009623 | 4 |
| 025511-108 | 3 | A2009632 | 3 |
| 025511-109 | 3 | A2009641 | 5 |
| 025511-110 | 3 | A2009643 | 6 |
| 025511-112 | 3 | A2009671 | 6 |
| 025511-113 | 3 | A2009697 | 5 |
| 025511-115 | 3 | A21010918 | 5 |
| 025511-116 | 3 | C20014072 | 6 |
| 025511-117 | 3 | E9109655 | 5 |
| 025511-118 | 3 | G32014020 | 5 |
| 025511-119 | 3 | G91013598 | 5 |
| 025511-120 | 3 | G9109625 | 3 |
| 025511-121 | 3 | G9109625BK | 3 |



L20014077 3
PB020275 5
PB060107 5
PB070079 6
PB070246 3
PC020221 5
PD020004 1, 3
PD020014 3
PD020032 1, 3
PD020033 3
PD020055 5
PD020060 5
PD020063 3
PD020073 3
PD020232 5
PD030006 3
PE010142 3
PE010143 3
PE010145 3
PE050115 5
PE050206 5
PE050208 6
PE050233 2, 6
PE050234 2, 6
PE050250 6
PE060090 3
PE060094 3
PE060105 3
PE070147 6
PE070845 2
PE070846 2
PJ010047 5
PJ010048 5
PM010014 5
PM010160 5