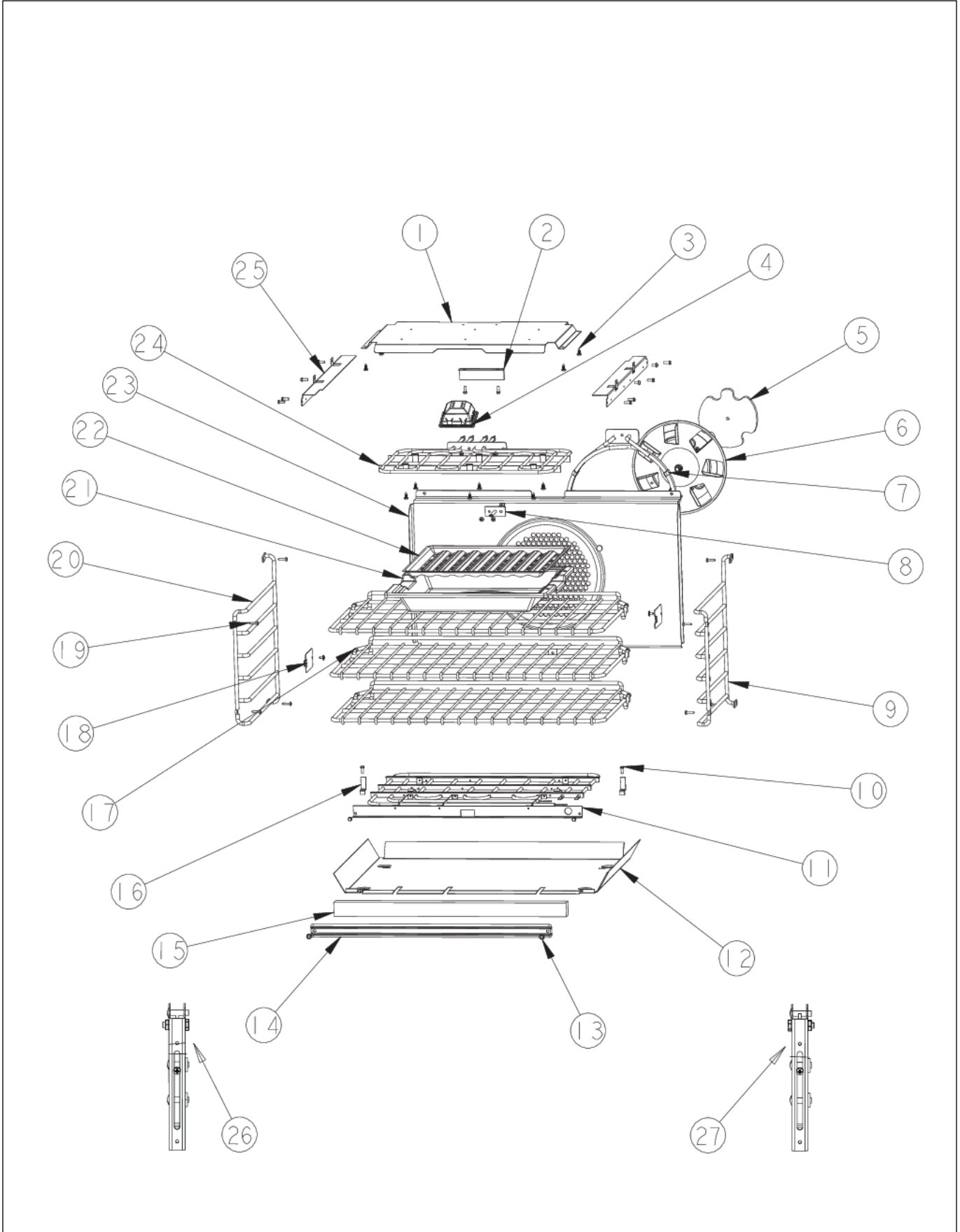


VESO5301

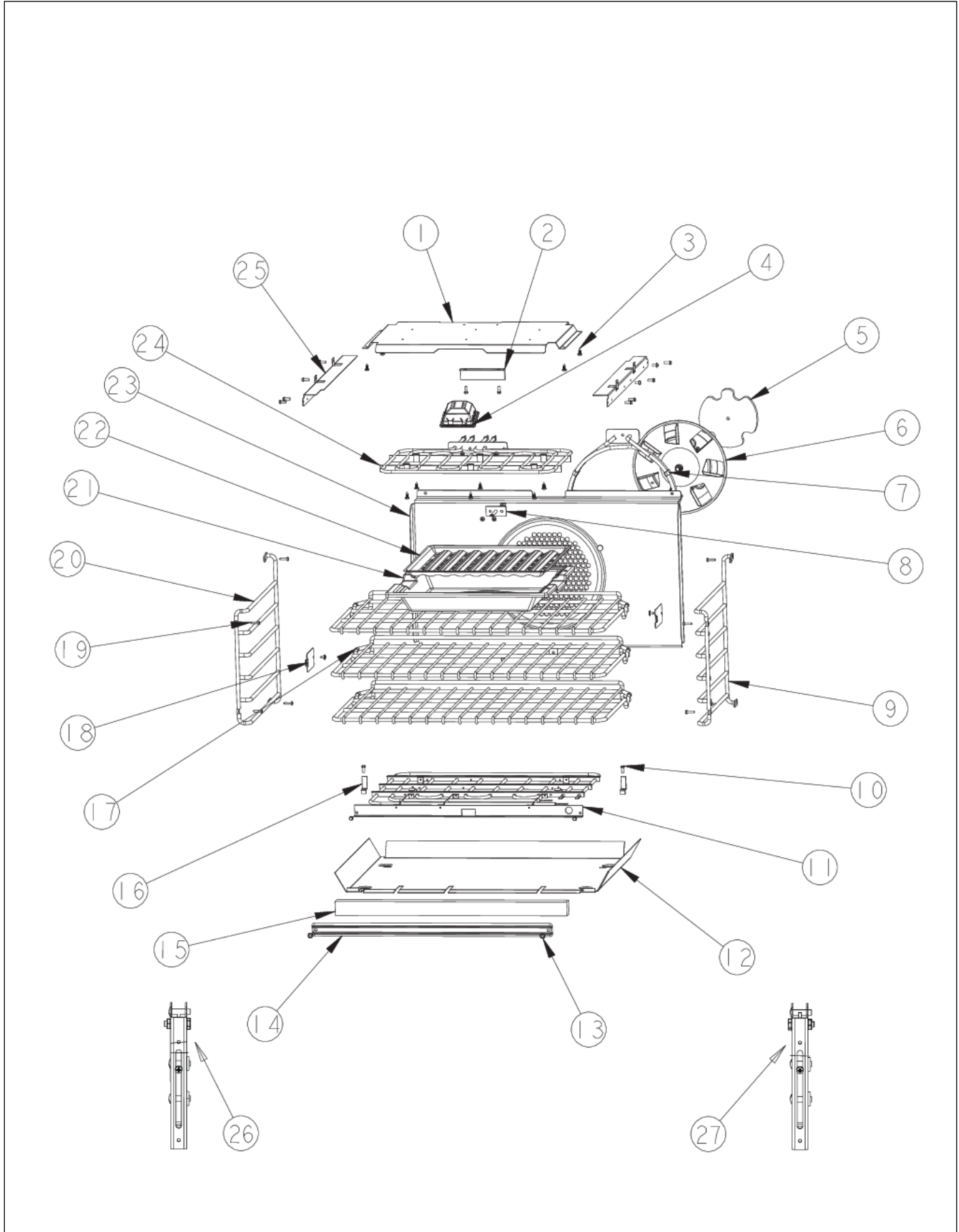
CAVITY INT	1
CONTROL AREA	2
DOOR ASSY	3
OVEN ELECTRONICS	4
OVEN EXTERIOR	5
REAR UNIT	6
SIMPLE HARNESSSES 1	7
SIMPLE HARNESSSES 2	8
UPPER CONTROL HARNESS	9
Appendix A:Pages Index	A
Appendix B:Parts Index	B

CAVITY INT





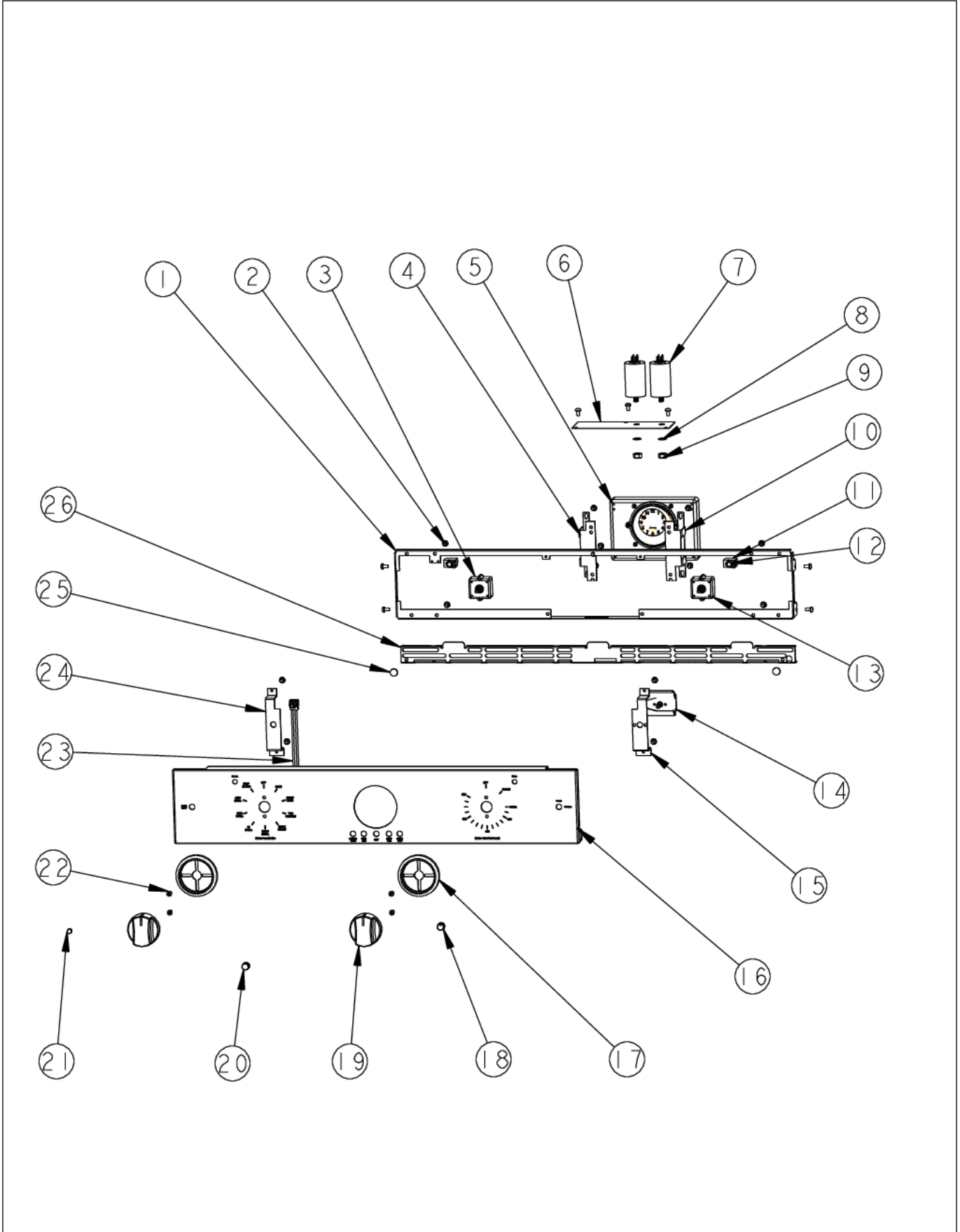
Item	Part No.	Name	Qty	Uom	NOTES
1	A20014021	REFLECTOR, BROIL	1	EA	
2	A20014044	BROIL ELEMENT SHIELD	1	EA	
3	PD020055	' #10 X 1/2" PAN PHIL. TEK.*SS*	14	EA	
4	020403-000	LAMP, OVEN, 120V/40W	1	EA	
5	PB070312	CONVECTION MOTOR MTG. PLATE INSULATION	1	EA	
6	G32014020	CONVECTION FAN ASSY	1	EA	
7	PJ010047	CONVECTION ELEMENT	1	EA	
8	PE050206	RTD THERMOSTAT PROBE	1	EA	
9	PB060103	RACK SUPPORT RH	1	EA	
10	PD020060	10 X 1/2" (5/16)HEX WSHER HD.(T)A	17	EA	
11	PJ010048	BAKE ELEMENT	1	EA	
12	A2009612	ELEMENT, MTG TRAY	1	EA	
13	PD020063	SCREW-#8(A) X 3/8"PH WFR HD/BK OXID	4	EA	
14	E9109655	COVER, BAKE TRAY	1	EA	
15	PB070309	BAKE ELEMENT INSULATION	1	EA	
16	A2009696	HOLDER, BAKE ELEMENT	2	EA	
17	PB060107	30" OVEN RACK	2	EA	
NI	024102-000	PULLOUT RACK, 30"	1	EA	
18	E91012614	LIGHT HOLE COVER	2	EA	
19	PD020232	#8 X 3/4" PH PAN HEAD TEK SCREW (BLACK OXIDE)	8	EA	
20	PB060104	RACK SUPPORT LH	1	EA	
21	E9107933	BROILER PAN	1	EA	
22	E9107934	BROILER PAN INSERT - NLA	1	EA	
23	G91013598	30" BAFFLE ASSEMBLY	1	EA	
24	024040-000	ELEMENT, RIBBON	1	EA	
Comments for Part Num. 024040-000					
jhobbs@kimballinc.com on Jan 4, 2019					
Please Correct the part number on this (057872-000)					
25	A2009641	BRKT, TOP WRAPPER	2	EA	





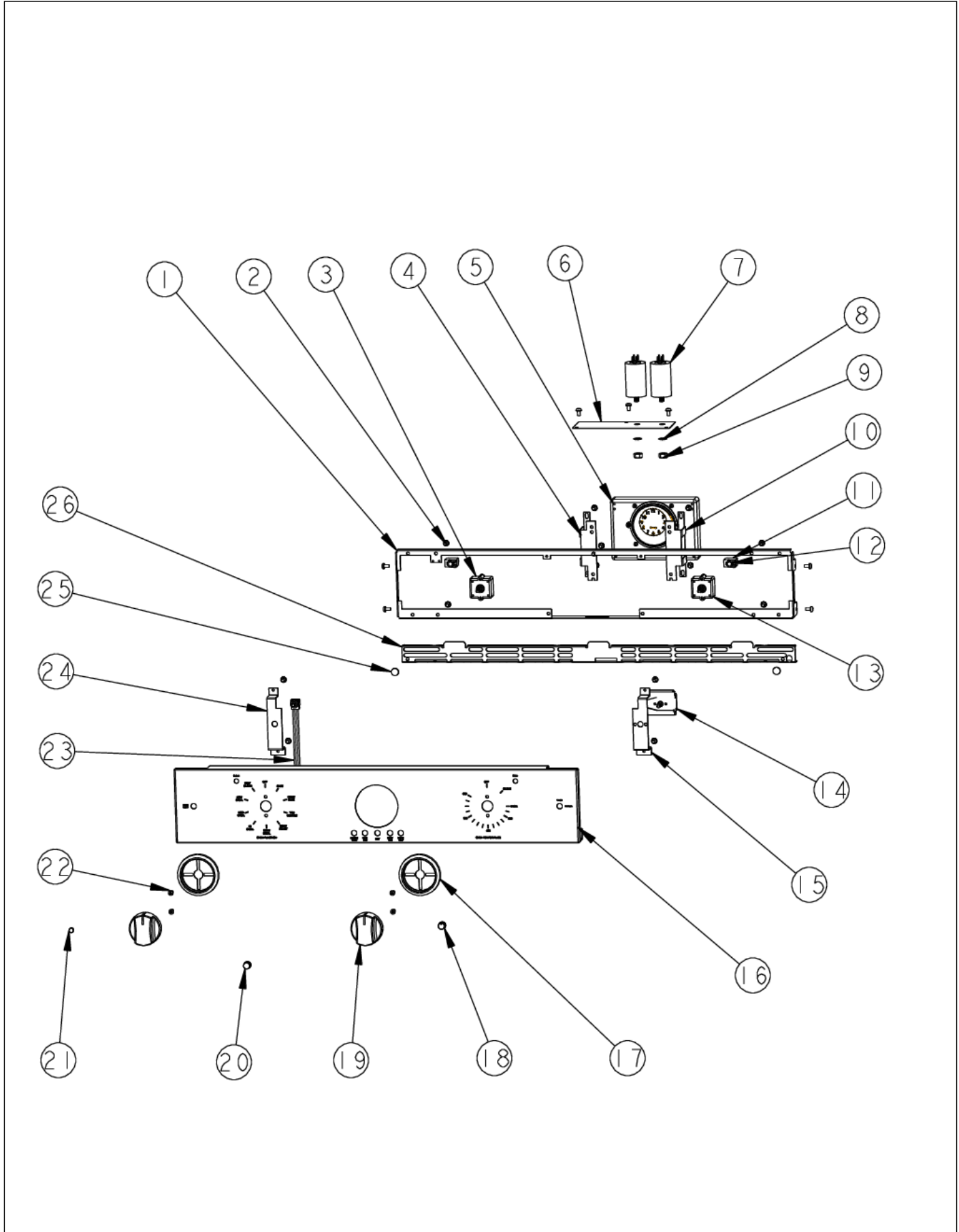
Item	Part No.	Name	Qty	Uom	NOTES
26	PC020247	HINGE POCKET RECEIVER MANSFIELD LH	1	EA	See TC-0121- SP Bulletin
27	PC020221	HINGE POCKET RECEIVER MANSFIELD RH	1	EA	See TC-0121- SP Service Bulletin
NI	020477-000	DIVERTER, AIR, BOT, FLAT, 30"	1	EA	
NI	PE050115	MEAT PROBE JACK (SWITCHCRAFT'S PART# 3J1505)	1	EA	
Comments for Part Num. PE050115					
bradleysapplianceservice@shaw.ca on May 8, 2017					
Meat probe is not illustrated on Parts Break Down.					
PE050114 MEAT PROBE					
NI	PE050114	MEAT PROBE (DESO/DEDO) (SWITCHCRAFT'S PART # 4C7919)	1	EA	
NI	PM010160	MEAT PROBE JACK COVER (SWITCHCRAFT'S PART# 2C1098)	1	EA	

CONTROL AREA





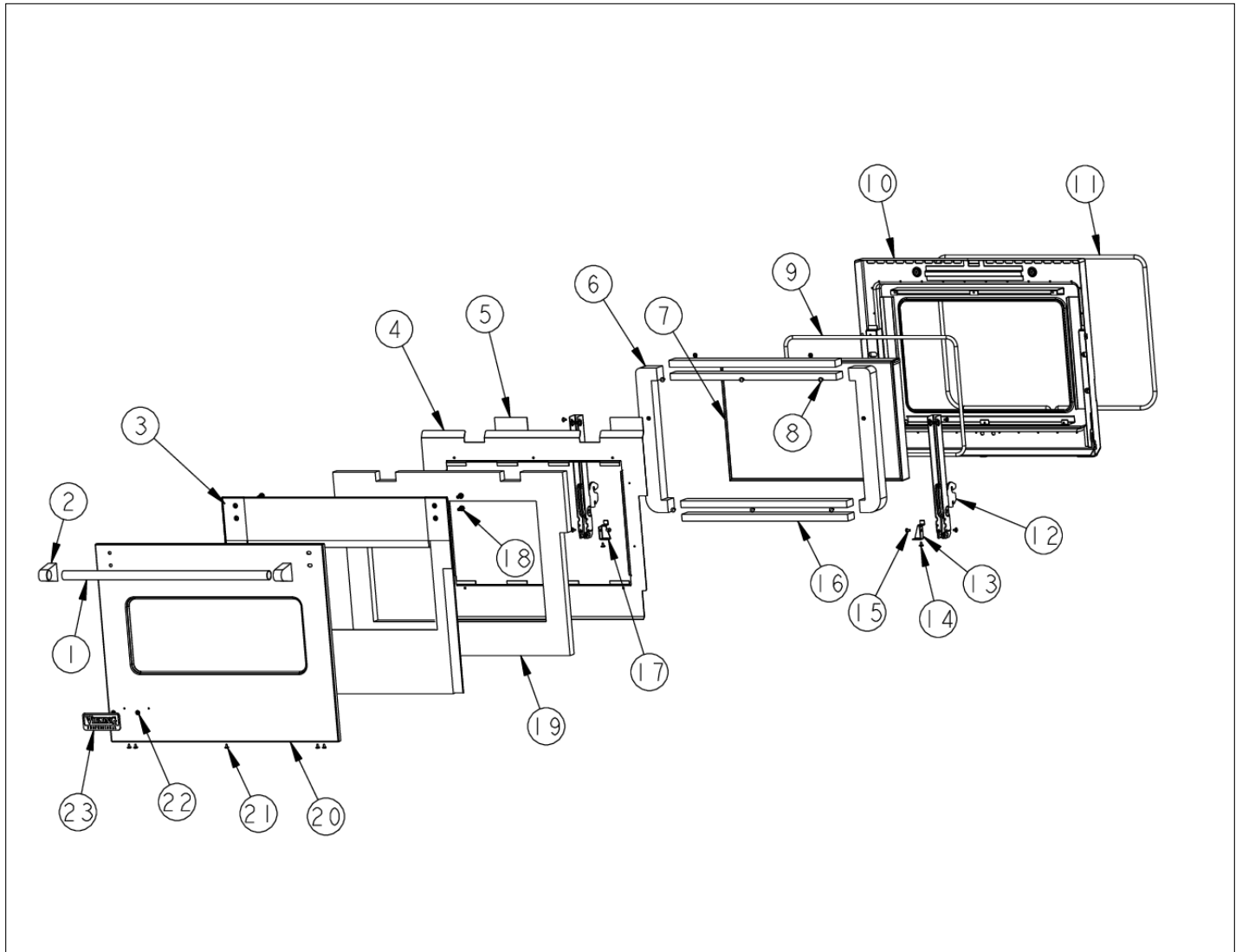
Item	Part No.	Name	Qty	Uom	NOTES
1	007665-000	30" CONTROL MTG PANEL	1	EA	Not available online / Call for pricing and availability
2	PD020004	10X3/8PH.HD.TYPE 25 REPL PD040125	21	EA	
3	PJ030033	SELECTOR (10 POS)	1	EA	
4	007671-000	BRACKET, CLOCK LEFT	1	EA	Not available online / Call for pricing and availability
5	PE050140	ANALOG CLOCK 220V 50/60H	1	EA	
6	A10014028	2 CAPACITOR BRACKET	1	EA	
<p>Comments for Part Num. A10014028</p> <p>service@priorityappliance.com on Jan 17, 2019</p> <p>The capacitors are part # 036047-000, found by looking up a VEDO130. Confirmed - they're the same capacitor.</p>					
7	036047-000	CAPACITOR, CONV MOTOR, INTL	2	EA	
8	PD040164	5/16 INTERNAL TOOTH LOCK WASHER TYPE A	2	EA	
9	PD030172	M8 X 1.25MM NUT	2	EA	
10	007674-000	BRACKET, CLOCK RIGHT	1	EA	Not available online / Call for pricing and availability
11	PE050072	LENS OPENING	2	EA	
12	PE050023	OVEN IND. LIGHT (LENS & BEZEL)	2	EA	
13	PJ030035	THERMOSTAT	1	EA	
<p>Comments for Part Num. PJ030035</p> <p>parts@lvdistributes.com on Feb 7, 2018</p> <p>this is not the correct part for this range it should be a 003225-000</p> <p>Reply by JREXEC02@AOL.COM on Feb 27, 2018</p> <p>003225-000 is an Induction Control.</p> <p>PJ030035 is the red colored thermostat for the Gas Range</p> <p>*****</p>					
14	PJ030040	2 POSITION SELECTOR SWITCH	1	EA	



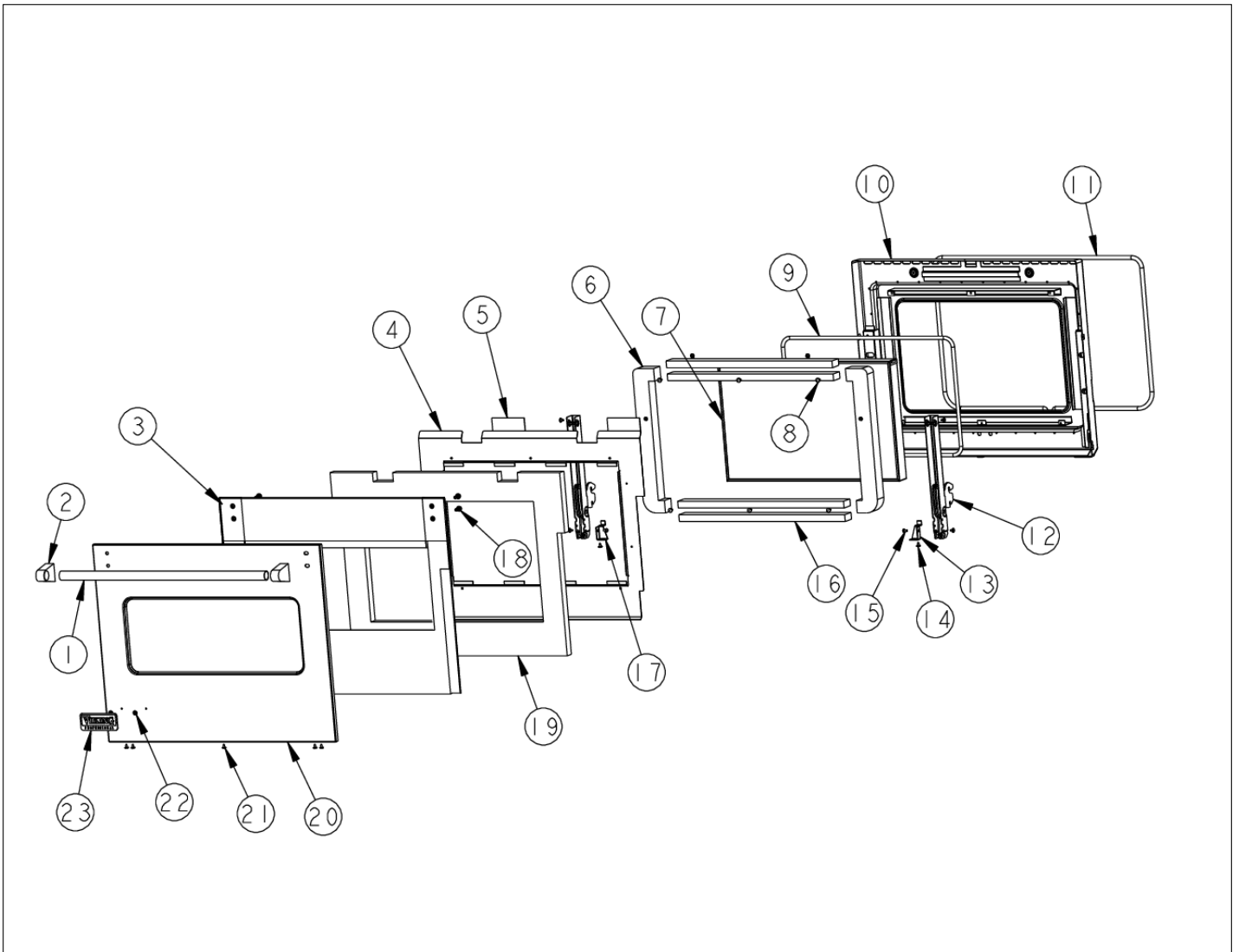


Item	Part No.	Name	Qty	Uom	NOTES
15	009588-000	BRACKET, SW	1	EA	Not available online / Call for pricing and availability
16	007783-000	30" VESO5301 SINGLE CONTROL PANEL SS	1	EA	
NI	007935-006	SINGLE CONTROL PANEL- WH	1	EA	
NI	007935-002	SINGLE CONTROL PANEL BK	1	EA	Not available online / Call for pricing and availability
NI	007935-021	SINGLE CONTROL PANEL SA	1	EA	
17	050172-000	BEZEL, KNOB	2	EA	
18	PA010192	DES. MANUAL TIME KNOB	1	EA	
19	PB010305	PROF. SELECTOR/THERMOSTAT KNOB	2	EA	
20	PB010313	DESIGNER BIT GENERATOR KNOB	1	EA	
21	PA010093	DESIGNER OVEN LT SWITCH KNOB	1	EA	
22	PD020261	' #8-32X1/2" PH PANHEAD MACH. SCREW	4	EA	
23	G40015469	LIGHT SWITCH ASSEMBLY	1	EA	
24	007718-000	BRACKET, LIGHT SWITCH	1	EA	
25	PD040004	GROMMET BUMPER	2	EA	
26	C90014072BK	30" INLET GRILL	1	EA	
26	C90014072WH	30" INLET GRILL *WH*	1	EA	

DOOR ASSY

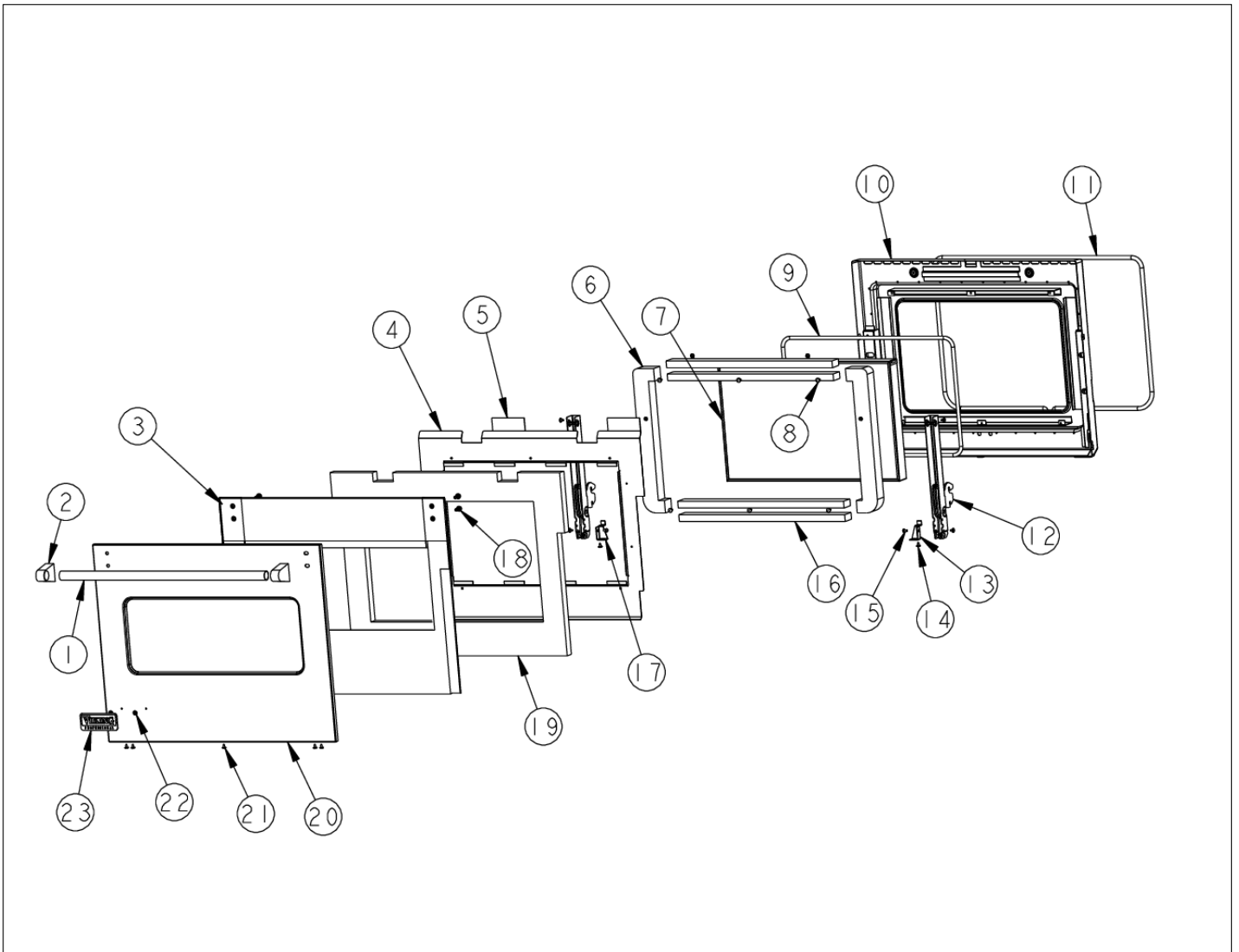


Item	Part No.	Name	Qty	Uom	NOTES
1	PE030179	30" PROF. DOOR HANDLE	1	EA	
1	PE030179PVD	30" PROF. DOOR HANDLE *PVD* 24.907	1	EA	NO LONGER AVAILABLE, Not available online / Call for pricing and availability
2	000268-000	HANDLE ENDCAP	2	EA	
2	PE030001PVD	END CAP DOOR HANDLE *BR	1	EA	
3	001499-000	Pro 30" Insulation Retainer Kit (After 7-17-06)	1	EA	NO LONGER AVAILABLE
4	A2009632	PANEL, INULATION, INNER DOOR	1	EA	
5	PB070336	Door Bracket Insulation	2	EA	
6	PB070271	DOOR PLUG INSULATION	2	EA	
7	PE060094	30 WINDOW PACK	1	EA	
8	PD020002	10 X 1/2 PH.TR.HD.SMS.	10	EA	
9	000594-000	BLACK FIBERGLASS ROPE 3/8	1	EA	
10	G9109625	DOOR LINER PORC.	1	EA	
11	PB070246	30" DOOR GASKET	1	EA	
12	006070-000	HINGE, DOOR, ASM, MANSFIELD, DES, GREEN SPRING	2	EA	
13	A20012640	HINGE SUPPORT RH	1	EA	
14	PD020063	SCREW-#8(A) X 3/8"PH WFR HD/BK OXID	2	EA	
15	PD020004	10X3/8PH.HD.TYPE 25 REPL PD040125	2	EA	
16	PB070269	30" WINDOW PACK INSULATION	4	EA	
17	A20012641	HINGE SUPPORT LH	1	EA	
18	PD020186	1/4"-20 X 3/4" HEX WASHER HEAD MS	4	EA	Not available online / Call for pricing and availability
19	PB020272	304SS 3/4 X .035 TUBING	1	EA	Not available online / Call for pricing and availability
20	PS500015AL	30" PRO DOOR SKIN SVC KIT W/LOGO AFTER 07/17/06 - AL	1	EA	NO LONGER AVAILABLE, Not available online / Call for pricing and availability



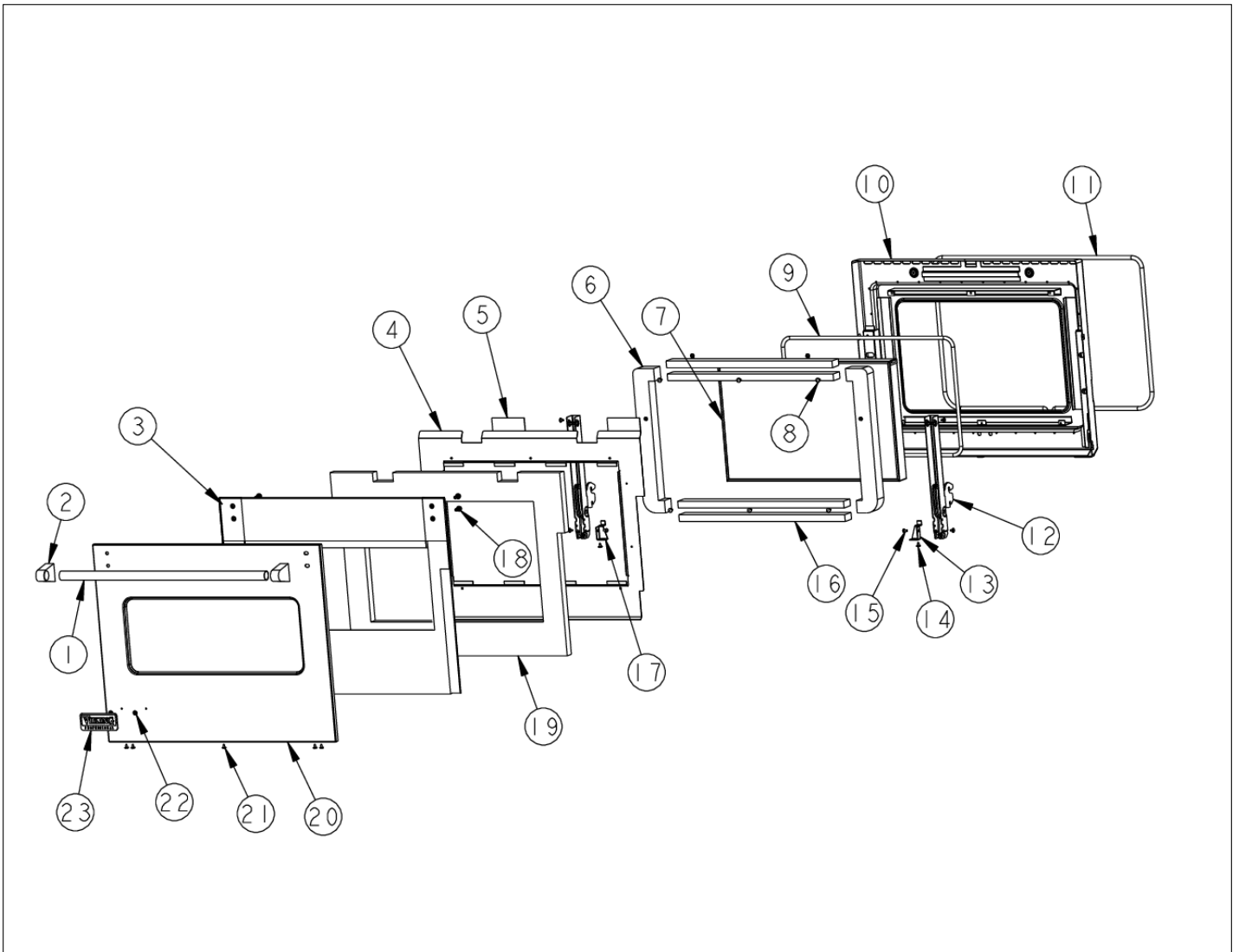


Item	Part No.	Name	Qty	Uom	NOTES
20	PS500015ALBR	30" PRO DOOR SKIN SVC KIT W/LOGO AFTER 07/17/06 - AL/BR	1	EA	NO LONGER AVAILABLE
20	PS500015AR	30" PRO DOOR SKIN SVC KIT W/LOGO AFTER 07/17/06 -AR	1	EA	
20	PS500015BK	30" PRO DOOR SKIN SVC KIT W/LOGO AFTER 07/17/06 -BK	1	EA	
20	PS500015BKBR	30" PRO DOOR SKIN SVC KIT W/LOGO AFTER 07/17/06 - BK/BR	1	EA	Not available online / Call for pricing and availability
20	PS500015BT	30" PRO DOOR SKIN SVC KIT W/LOGO AFTER 07/17/06 - BT	1	EA	NO LONGER AVAILABLE
20	PS500015BTBR	30" PRO DOOR SKIN SVC KIT W/LOGO AFTER 07/17/06 - BTBR	1	EA	NO LONGER AVAILABLE
20	PS500015BU	30" PRO DOOR SKIN SVC KIT W/LOGO AFTER 07/17/06 -BU	1	EA	
20	PS500015BUBR	30" PRO DOOR SKIN SVC KIT W/LOGO AFTER 07/17/06 - BU/BR	1	EA	NO LONGER AVAILABLE
20	PS500015CB	30" PRO DOOR SKIN SVC KIT W/LOGO AFTER 07/17/06 - CB	1	EA	Not available online / Call for pricing and availability
20	PS500015CBBR	30" PRO DOOR SKIN SVC KIT W/LOGO AFTER 07/17/06 - CB/BR	1	EA	
20	PS500015EP	30" PRO DOOR SKIN SVC KIT W/LOGO AFTER 07/17/06 - EP	1	EA	NO LONGER AVAILABLE, Not available online / Call for pricing and availability
20	PS500015EPBR	30" PRO DOOR SKIN SVC KIT W/LOGO AFTER 07/17/06 - EP/BR	1	EA	NO LONGER AVAILABLE, Not available online / Call for pricing and availability
20	PS500015FG	30" PRO DOOR SKIN SVC KIT W/LOGO AFTER 07/17/06 - FG	1	EA	NO LONGER AVAILABLE, Not available online / Call for pricing and availability
20	PS500015FGBR	30" PRO DOOR SKIN SVC KIT W/LOGO AFTER 07/17/06 - FG/BR	1	EA	NO LONGER AVAILABLE, Not available online / Call for pricing and availability



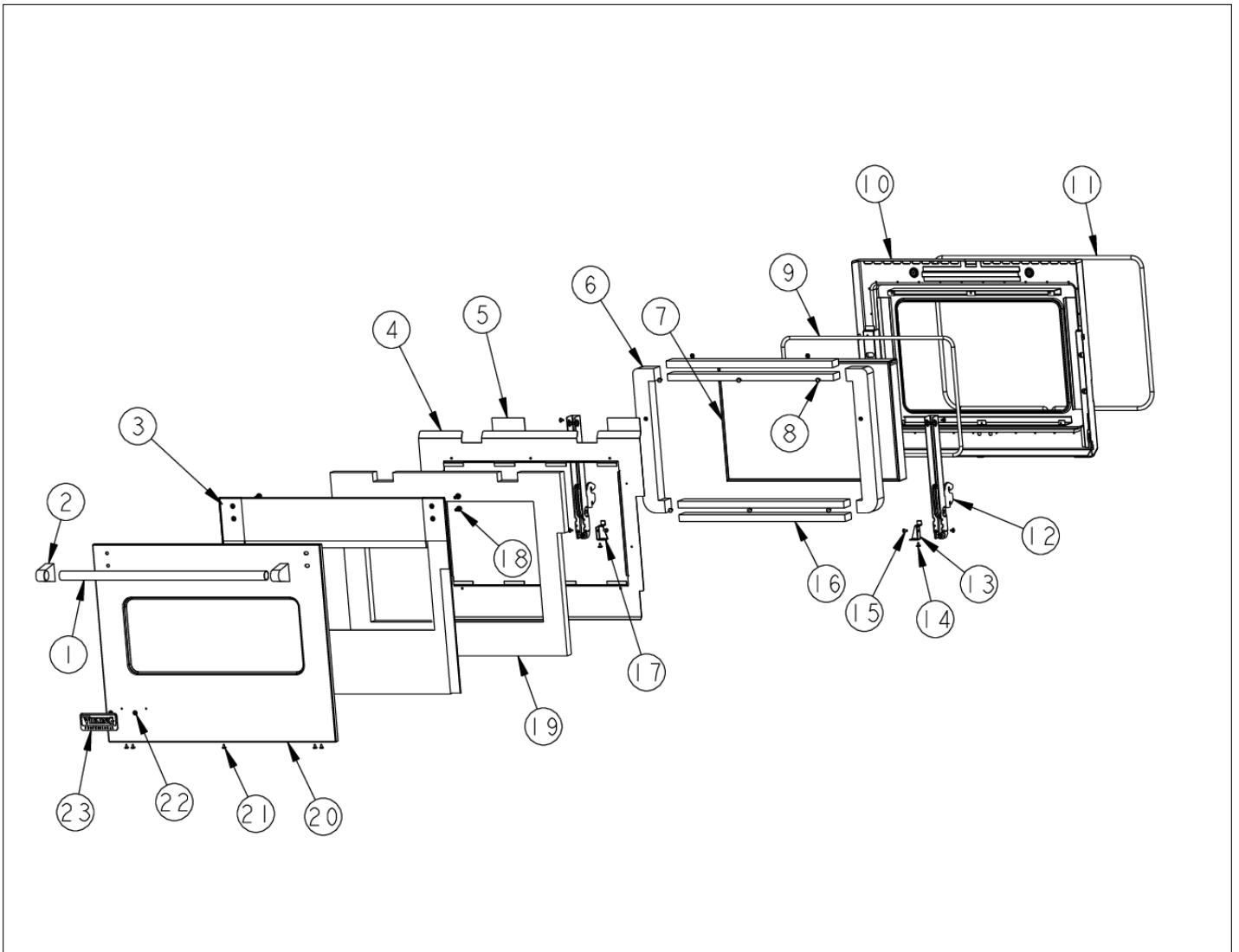


Item	Part No.	Name	Qty	Uom	NOTES
20	PS500015GG	30" PRO DOOR SKIN SVC KIT W/LOGO AFTER 07/17/06 -GG	1	EA	Not available online / Call for pricing and availability
20	PS500015GGBR	30" PRO DOOR SKIN SVC KIT W/LOGO AFTER 07/17/06 - GG/BR	1	EA	NO LONGER AVAILABLE, Not available online / Call for pricing and availability
20	PS500015GM	30" PRO DOOR SKIN SERVICE KIT W/LOGO - GM	1	EA	
20	PS500015LE	30" PRO DOOR SKIN SVC KIT W/LOGO AFTER 07/17/06 - LE	1	EA	NO LONGER AVAILABLE, Not available online / Call for pricing and availability
20	PS500015LEBR	30" PRO DOOR SKIN SVC KIT W/LOGO AFTER 07/17/06 - LE/BR	1	EA	NO LONGER AVAILABLE, Not available online / Call for pricing and availability
20	PS500015MJ	30" PRO DOOR SKIN SVC KIT W/LOGO AFTER 07/17/06 - MJ	1	EA	NO LONGER AVAILABLE
20	PS500015MJBR	30" PRO DOOR SKIN SVC KIT W/LOGO AFTER 07/17/06 - MJ/BR	1	EA	NO LONGER AVAILABLE, Not available online / Call for pricing and availability
20	PS500015SG	30" PRO DOOR SKIN SVC KIT W/LOGO AFTER 07/17/06 - SG	1	EA	
20	PS500015SGBR	30" PRO DOOR SKIN SVC KIT W/LOGO AFTER 07/17/06 - SGBR	1	EA	NO LONGER AVAILABLE, Not available online / Call for pricing and availability
20	PS500015SS	30" PRO DOOR SKIN SVC KIT W/LOGO AFTER 07/17/06 -SS	1	EA	
20	PS500015SSBR	30" PRO DOOR SKIN SVC KIT W/LOGO AFTER 07/17/06 - SS/BR	1	EA	Not available online / Call for pricing and availability
20	PS500015VB	30" PRO DOOR SKIN SVC KIT W/LOGO AFTER 07/17/06 - VB	1	EA	Not available online / Call for pricing and availability
20	PS500015VBBR	30" PRO DOOR SKIN SVC KIT W/LOGO AFTER 07/17/06 - VBBR	1	EA	
20	PS500015WH	30" PRO DOOR SKIN SVC KIT W/LOGO AFTER 07/17/06 - WH	1	EA	



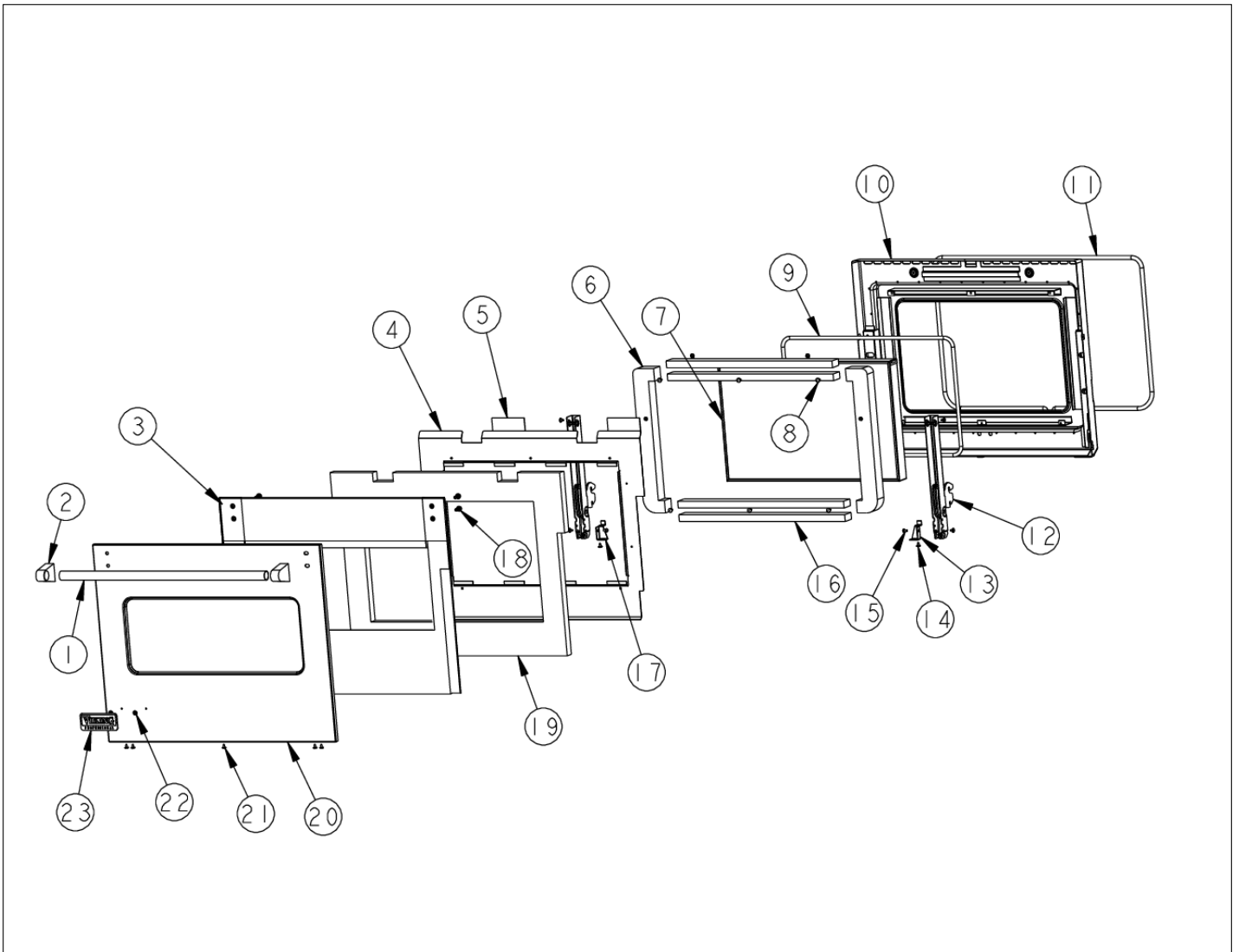


Item	Part No.	Name	Qty	Uom	NOTES
20	PS500015WHBR	30" PRO DOOR SKIN SVC KIT W/LOGO AFTER 07/17/06 - WH/BR	1	EA	NO LONGER AVAILABLE, Not available online / Call for pricing and availability
20	PS500015SA	30" PRO DOOR DOOR SKIN SERVICE KIT W/LOGO-SA	1	EA	
21	PD020032	SRW-8(A)X3/8"PH.WFR HD 7/16DIA*NICL	5	EA	
22	PD030006	CAPPED WASHER PAL NUT	5	EA	
23	PE010016	LOGO (ALL RANGES) *BK/CHR 307997W	1	EA	
23	PE010017	LOGO (VGSQ,VEDO,VGDO,VUD) *WH/CHR	1	EA	
23	PE010079	4.5" LOGO/VIKING PROF *BK/BR	1	EA	
23	PE010080	4.5" LOGO/VIKING PROF *WH/BR	1	EA	
NI	G32012723AL	30" DOOR ASSY W/LOGO *AL*	1	EA	NO LONGER AVAILABLE
NI	G32012723ALBR	COMPLETE DOOR ASSY. - ALBR	1	EA	Not available online / Call for pricing and availability
NI	G32012723BK	30" DOOR ASSY W/LOGO *BK*	1	EA	Not available online / Call for pricing and availability
NI	G32012723BKBR	30" DOOR ASSY W/LOGO *BKBR*	1	EA	NO LONGER AVAILABLE
NI	G32012723BT	30" DOOR ASSY W/LOGO *BT*	1	EA	NO LONGER AVAILABLE, Not available online / Call for pricing and availability
NI	G32012723BTBR	COMPLETE DOOR ASSY. - BTBR	1	EA	Not available online / Call for pricing and availability
NI	G32012723BU	30" DOOR ASSY W/LOGO *BU*	1	EA	NO LONGER AVAILABLE, Not available online / Call for pricing and availability
NI	G32012723BUBR	COMPLETE DOOR ASSY. - BUBR	1	EA	Not available online / Call for pricing and availability





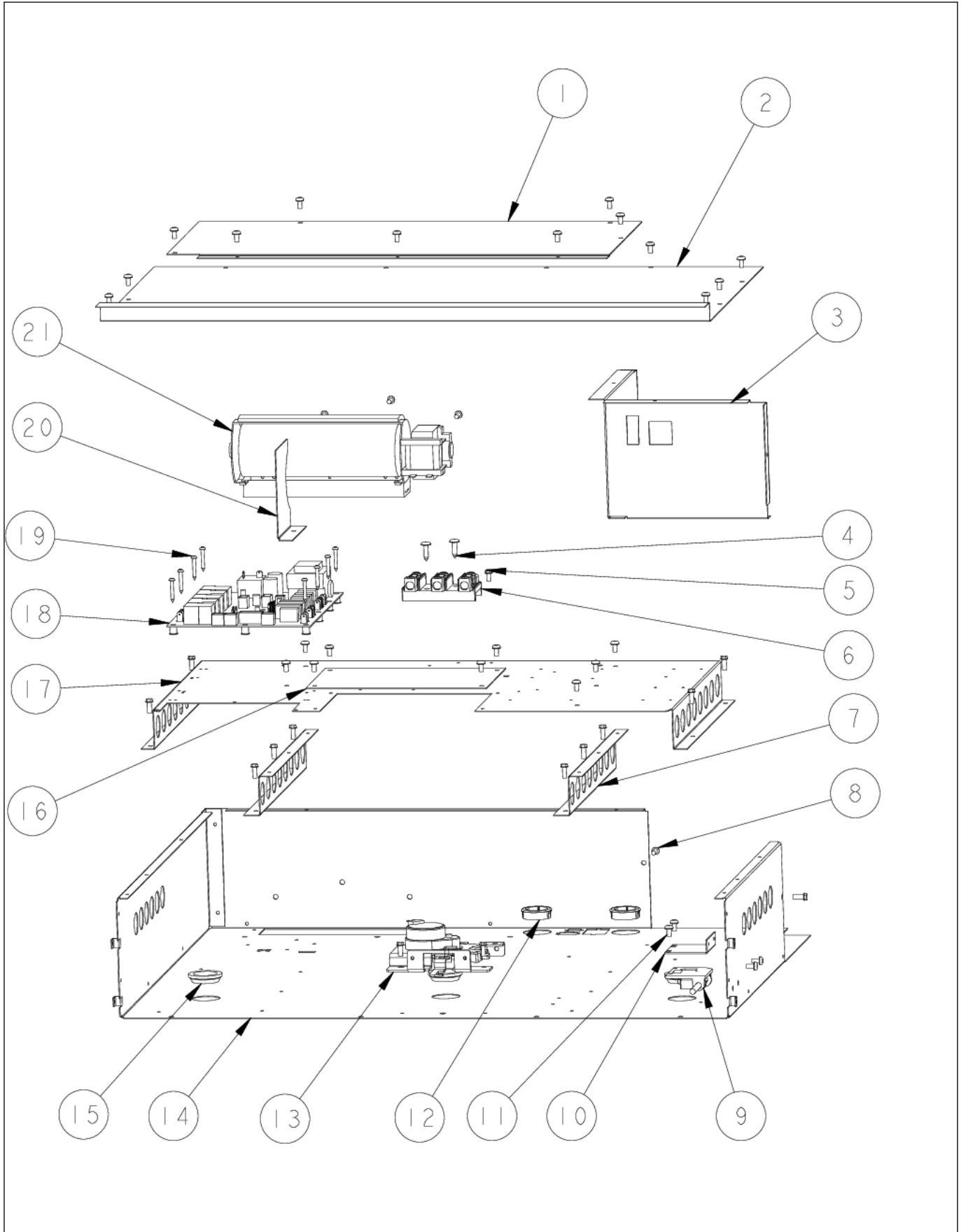
Item	Part No.	Name	Qty	Uom	NOTES
NI	G32012723CB	30" DOOR ASSY W/LOGO *CB*	1	EA	NO LONGER AVAILABLE, Not available online / Call for pricing and availability
NI	G32012723CBBR	30" DOOR ASSY W/LOGO *CBBR*	1	EA	
NI	G32012723EP	30" DOOR ASSY W/LOGO *EP*	1	EA	NO LONGER AVAILABLE, Not available online / Call for pricing and availability
NI	G32012723EPBR	COMPLETE DOOR ASSY. - EPBR	1	EA	Not available online / Call for pricing and availability
NI	G32012723FG	30" DOOR ASSY W/LOGO *FG*	1	EA	NO LONGER AVAILABLE, Not available online / Call for pricing and availability
NI	G32012723FGBR	COMPLETE DOOR ASSY. - FGBR	1	EA	Not available online / Call for pricing and availability
NI	G32012723GG	30" DOOR ASSY W/LOGO *GG*	1	EA	NO LONGER AVAILABLE
NI	G32012723GGBR	COMPLETE DOOR ASSY. - GGBR	1	EA	Not available online / Call for pricing and availability
NI	G32012723LE	30" DOOR ASSY W/LOGO *LE*	1	EA	NO LONGER AVAILABLE, Not available online / Call for pricing and availability
NI	G32012723LEBR	COMPLETE DOOR ASSY. - LEBR	1	EA	Not available online / Call for pricing and availability
NI	G32012723MJ	30" DOOR ASSY W/LOGO *MJ*	1	EA	NO LONGER AVAILABLE
NI	G32012723MJBR	COMPLETE DOOR ASSY. - MJBR	1	EA	Not available online / Call for pricing and availability
NI	G32012723SG	30" DOOR ASSY W/LOGO *SG*	1	EA	
NI	G32012723SGBR	COMPLETE DOOR ASSY. - SGBR	1	EA	Not available online / Call for pricing and availability





Item	Part No.	Name	Qty	Uom	NOTES
NI	G32012723SS	30" DOOR ASSY W/LOGO	1	EA	
NI	G32012723SSBR	COMPLETE DOOR ASSY. - SSBR	1	EA	Not available online / Call for pricing and availability
NI	G32012723VB	30" DOOR ASSY W/LOGO *VB*	1	EA	NO LONGER AVAILABLE, Not available online / Call for pricing and availability
NI	G32012723VBBR	COMPLETE DOOR ASSY. - VBBR	1	EA	Not available online / Call for pricing and availability
NI	G32012723WH	30" DOOR ASSY W/LOGO *WH*	1	EA	NO LONGER AVAILABLE
NI	G32012723WHBR	COMPLETE DOOR ASSY. - WHBR	1	EA	

OVEN ELECTRONICS



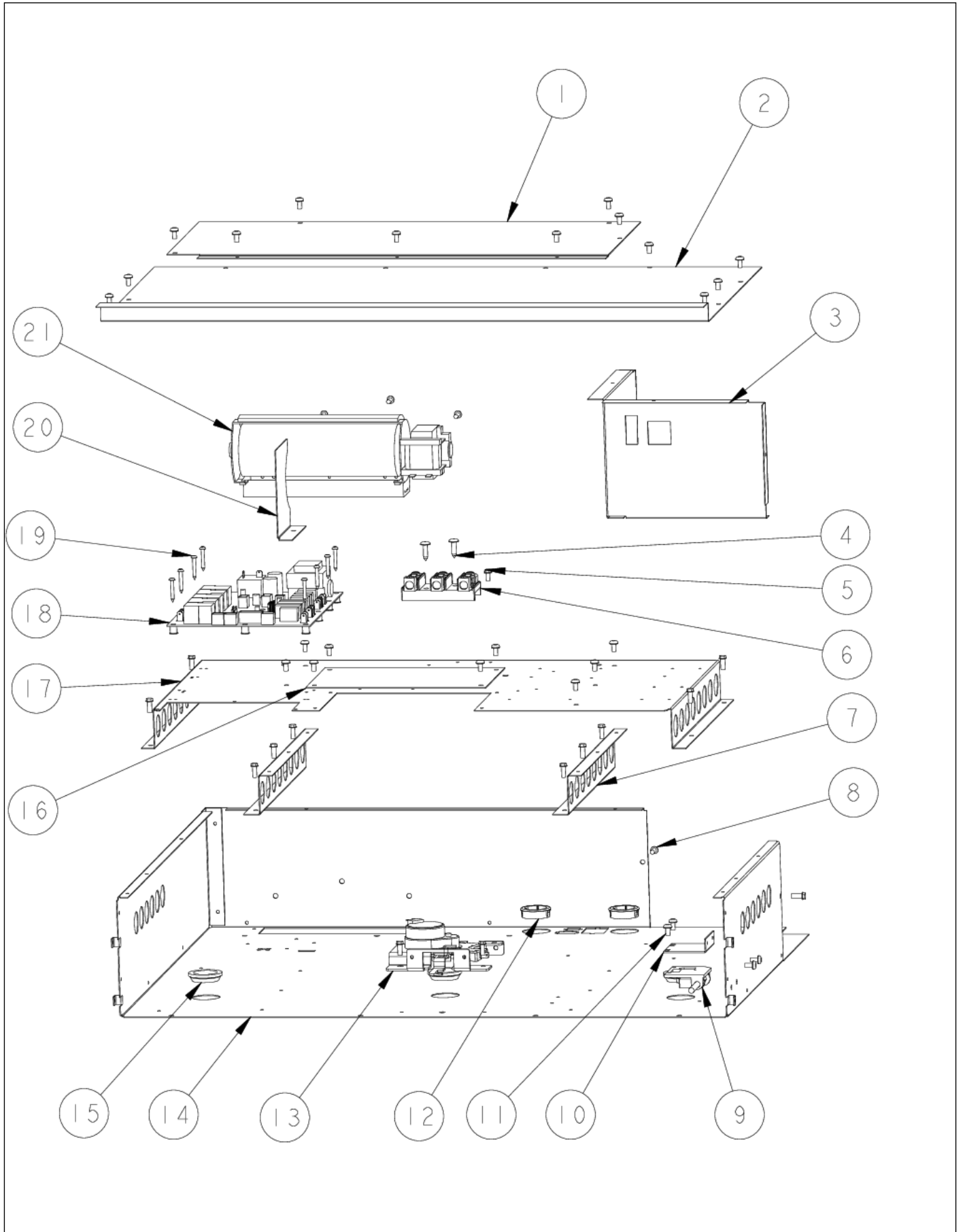


Item	Part No.	Name	Qty	Uom	NOTES
1	A20014049	30" REAR COVER	1	EA	
2	A20014048	Front Cover	1	EA	NO LONGER AVAILABLE, Not available online / Call for pricing and availability
3	A20010934	BRACKET, MODULE PAN	1	EA	
4	PD020014	10X3/4 PH TR HD SMS	2	EA	
5	PD020010	10 X 3/8 GREEN GROUNDING SCREW	1	EA	
6	PE070147	TERMINAL BLOCK (VDSC)	1	EA	
7	A20010910	Support Bracket, Electronics Hat	2	EA	Not available online / Call for pricing and availability
8	PD020060	10 X 1/2" (5/16)HEX WSHER HD.(T)A	19	EA	
9	PE050208	DOOR SWITCH	1	EA	
10	A20012649	DOOR SWITCH BRACKET	1	EA	
11	PD020004	10X3/8PH.HD.TYPE 25 REPL PD040125	26	EA	
12	PD040152	SNAP BUSHING	2	EA	
13	013250-000	LATCH,DOOR,ASM,240V,GRID DLE LOCKOUT	1	EA	
Not Shown	NOTE	BEFORE 10/31/13		EA	
13	039293-000	LATCH, ELEC, 240V, ASSY	1	EA	
Not Shown	NOTE	ON OR AFTER 10/31/13		EA	
16	A10010911	Latch Cover	1	EA	
17	A2009672	Electronics Hat	1	EA	NO LONGER AVAILABLE, Not available online / Call for pricing and availability
18	002406-000	CONTROL BOARD	2	EA	

Comments for Part Num. 002406-000

haarnink@vikingrange.com on Jun 18, 2015

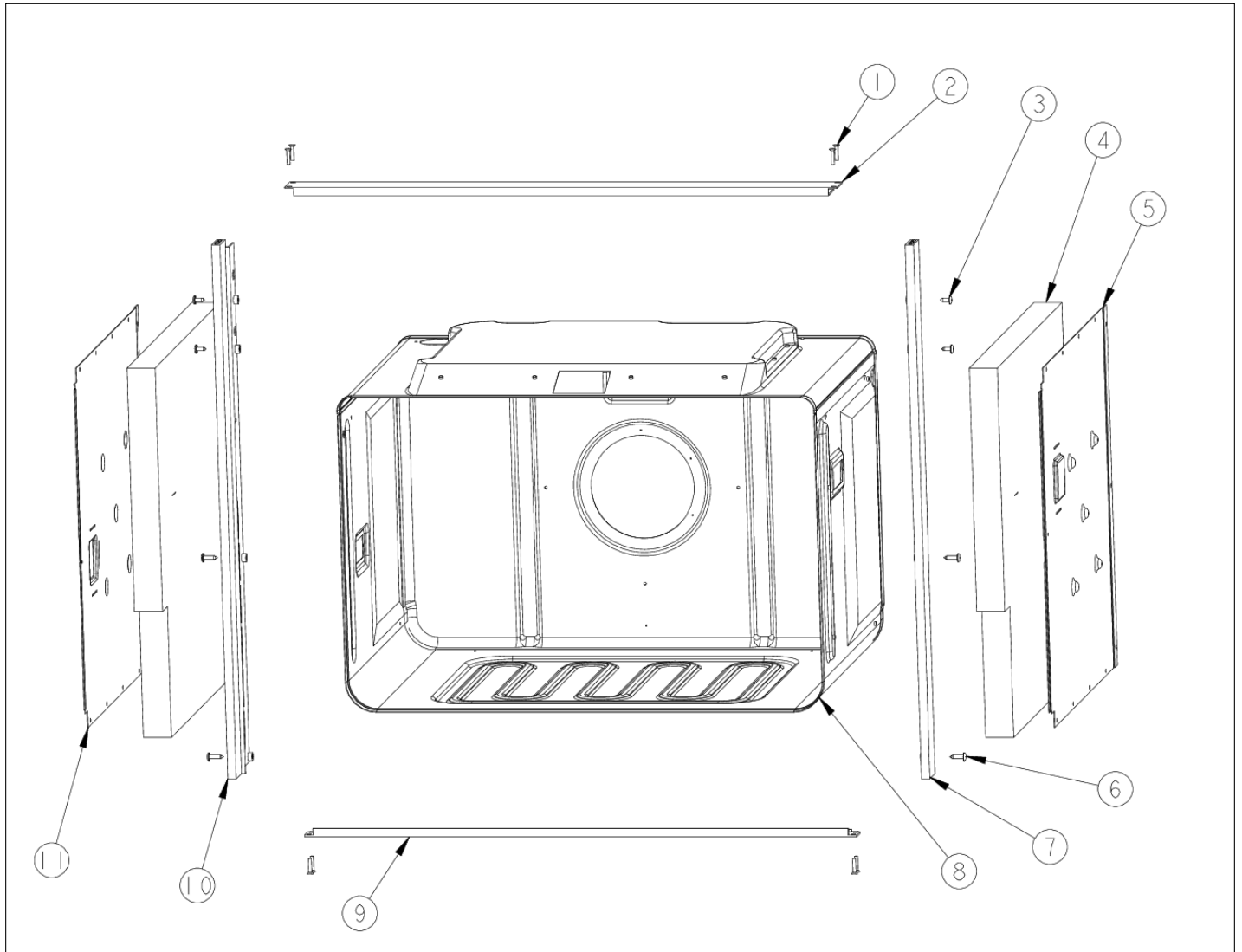
For the international E Model numbers EVDSC5 we need to add the info that sins First unit was EVDSC530S4B: 092314C10147281 any EVDSC built in 2014 went into production with EOC4. so here we need to add the part number 014000-000 EOC4 plus the SMPS part number 013999-000





Item	Part No.	Name	Qty	Uom	NOTES
19	PD020185	Screw, 6 X 1" Pan Head	16	EA	
20	A2009667	REAR AIR DIVIDER	1	EA	
21	PE050250	Blower	1	EA	
<p>Comments for Part Num. PE050250</p> <p>highendappsvc@gmail.com on Jan 28, 2019</p> <p>If you need to replace cooling fan for the model vgsc5486gss serial date code 031412, do not order this fan, this fan is larger and configured wrong. The correct fan is 007794-000. it is smaller.</p>					
Not Shown	NOTE	BEFORE 2/4/2013		EA	
21	018607-000	FAN, BLO, 220-240V 50/60Hz ASM (MT1664)	1	EA	
Not Shown	NOTE	AFTER 2/4/2013		EA	
NI	PJ030043	Bi Metal Thermostat - 150 Degrees	1	EA	

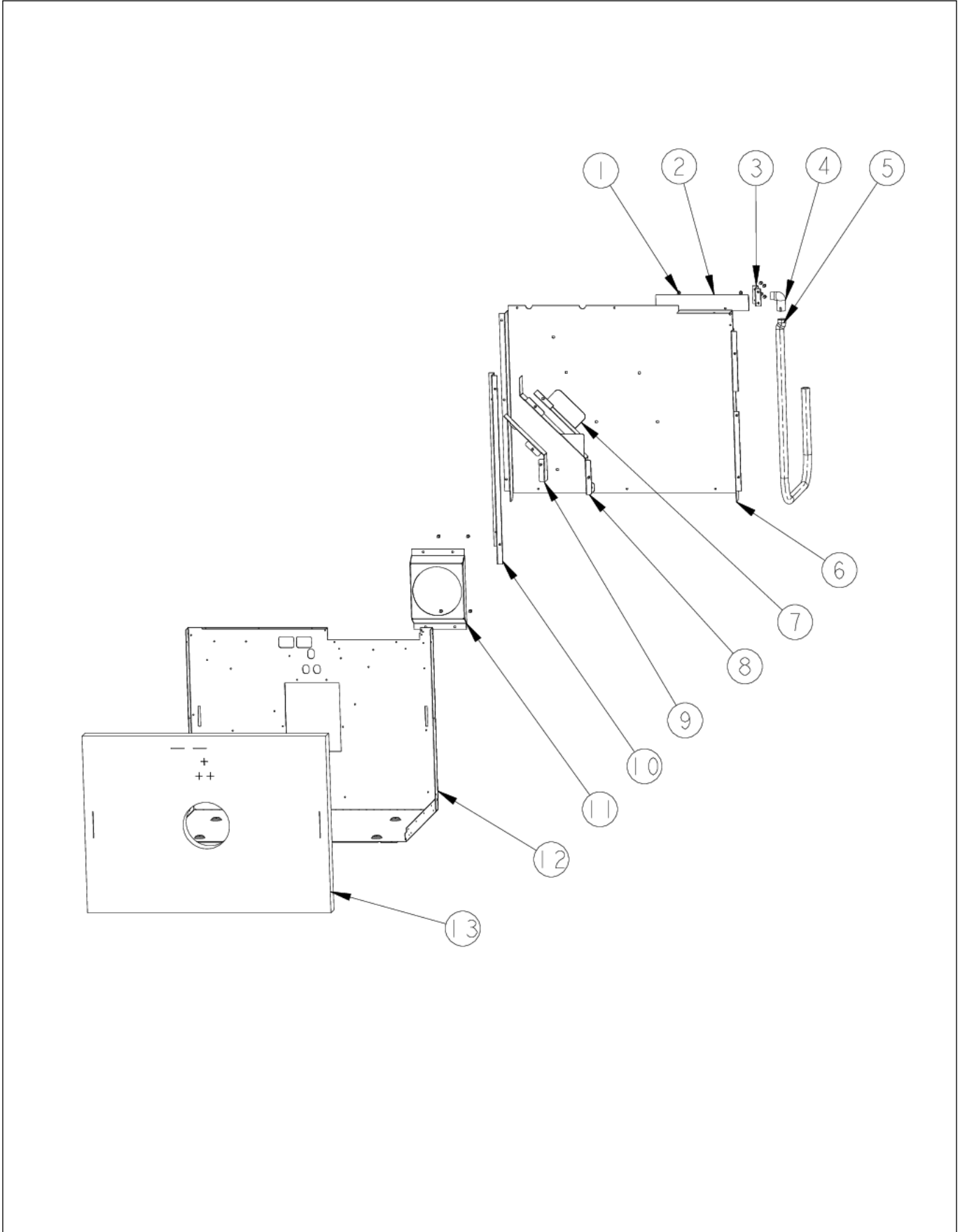
OVEN EXTERIOR





Item	Part No.	Name	Qty	Uom	NOTES
1	PD020170	Screw, 6 X 1 Pan Hd	8	EA	
2	PE040273	30" PROF. TOP TRIM	1	EA	
3	PD020002	10 X 1/2 PH.TR.HD.SMS.	4	EA	
4	PB070302	SIDE INSULATION	2	EA	
5	A2009622	BRKT, TOP WRAPPER, RIGHT	1	EA	Not available online / Call for pricing and availability
6	PD020014	10X3/4 PH TR HD SMS	4	EA	
7	PE040275	PROF. SINGLE SIDE TRIM RH	1	EA	
8	NOT REPLACEABLE	OVEN CAVITY ASSEMBLY	N/A	EA	
9	PE040274	30" PROF. BOTTOM TRIM	1	EA	
10	PE040276	PROF. SINGLE SIDE TRIM LH	1	EA	
11	A20012650	BRKT, TOP WRAPPER LEFT	2	EA	Not available online / Call for pricing and availability

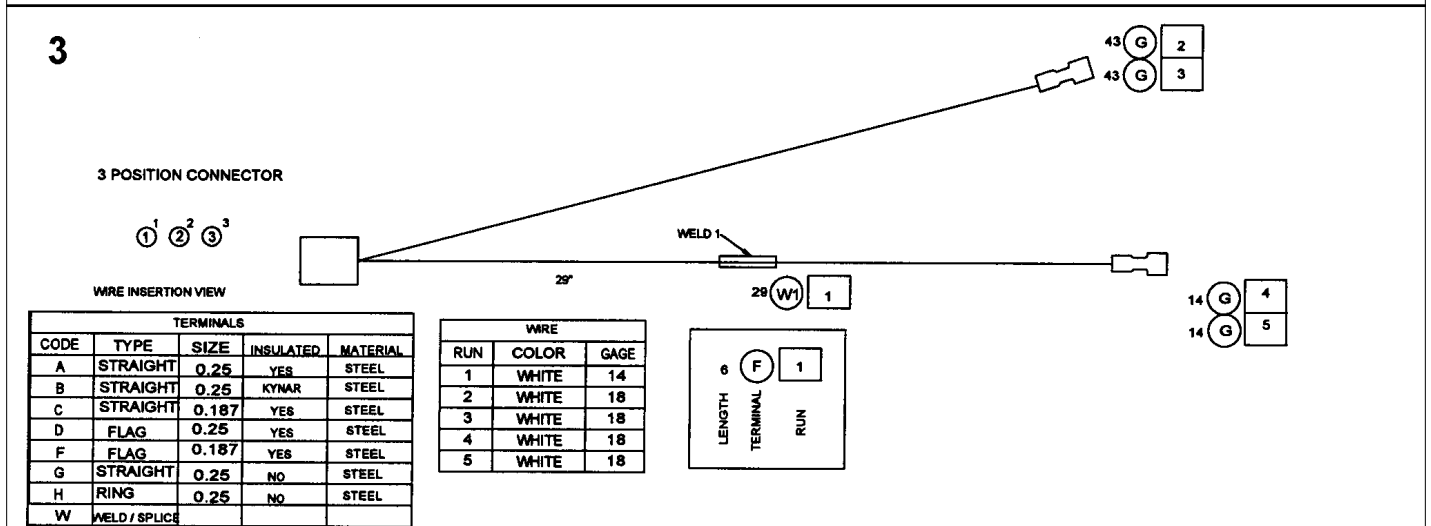
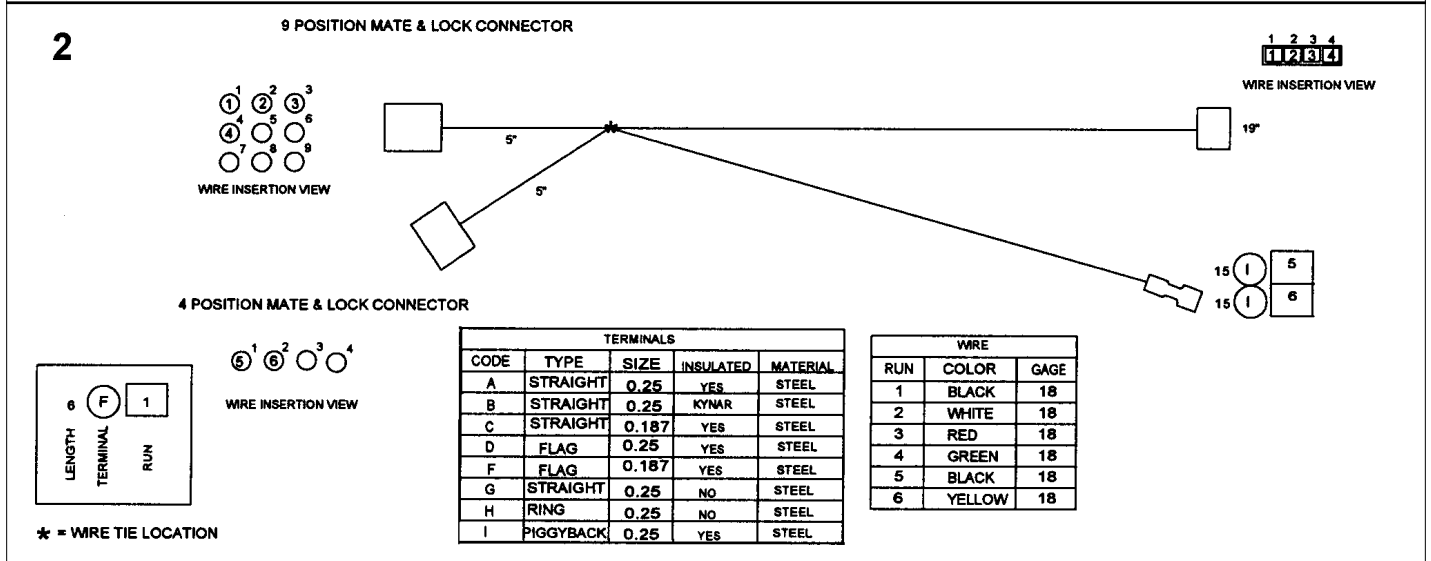
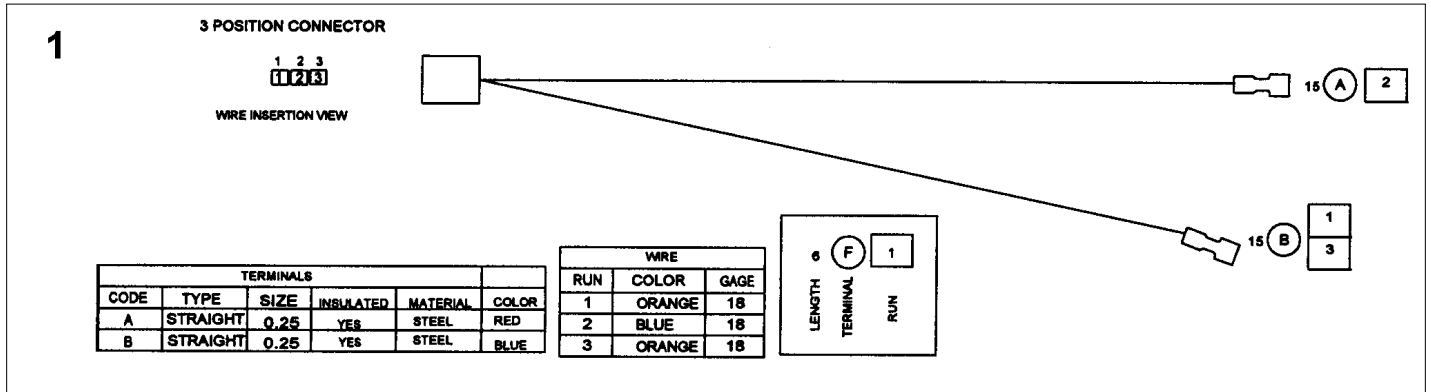
REAR UNIT





Item	Part No.	Name	Qty	Uom	NOTES
1	PD020060	10 X 1/2" (5/16)HEX WSHER HD.(T)A	48	EA	
2	A10010907	COVER, BLOWER	1	EA	
3	A2009671	BRACKET, POWER CABLE	1	EA	
4	PB040070	CONDUIT FITTING (90 DEG)	1	EA	
5	PB020071	CONDUIT - FLEXIBLE (48")	1	EA	
6	A2009640	PANEL, REAR 30"	1	EA	
7	A20014052	WIRE SHIELD	1	EA	
8	A21010918	BRACKET, AIR, CONVECTION MOTOR	1	EA	NO LONGER AVAILABLE, Not available online / Call for pricing and availability
9	A21010919	BRACKET, AIR, CONVECTION MOTOR	2	EA	NO LONGER AVAILABLE, Not available online / Call for pricing and availability
10	A2009666	AIR CHANNEL	1	EA	
11	A2009697	BRACKET, CONVECTION INSULATION	1	EA	
12	NOT REPLACEABLE	BACK WRAPPER BASE	N/A	EA	
13	PB070304	30" BACK INSULATION	2	EA	NO LONGER AVAILABLE, Not available online / Call for pricing and availability

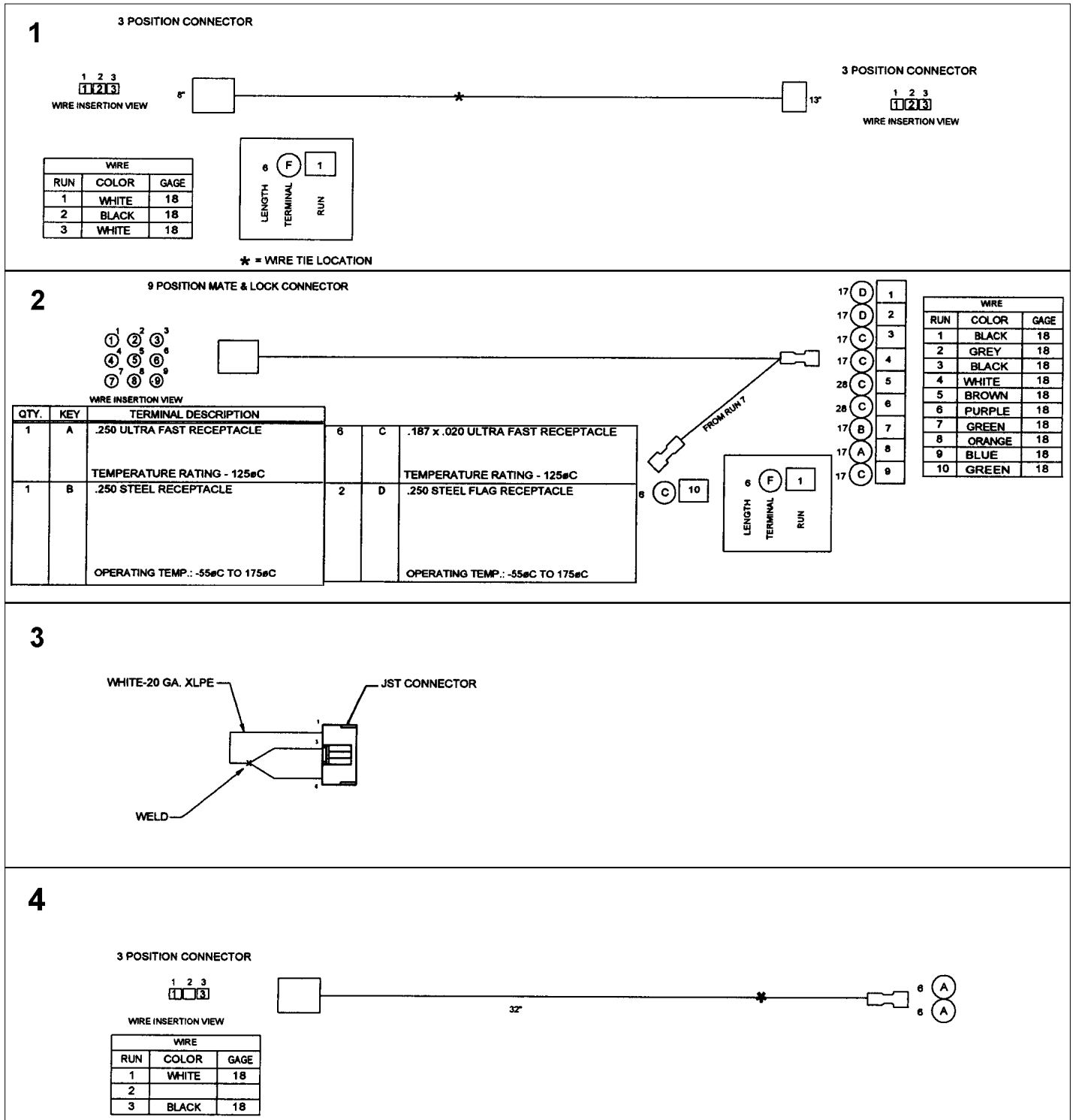
SIMPLE HARNESSES 1





Item	Part No.	Name	Qty	Uom	NOTES
1	PE070743	SINGLE CLOCK HARNESS	1	EA	
2	PE070754	TEST HARNESS SINGLE	1	EA	Not available online / Call for pricing and availability
3	PE070739	BAKE ELEMENT HARNESS	1	EA	
NI	G4005496	SUPPLY WIRE - 100" BK 10GA SO/DO	1	EA	
NI	G4005497	SUPPLY WIRE - 100" GREEN 10GA SO/DO	1	EA	
NI	G4005499	SUPPLY WIRE - 100" RED 10GA SO/DO	1	EA	
NI	G4005494	SUPPLY WIRE - 75" WH 12 GA SO/DO - NLA	1	EA	

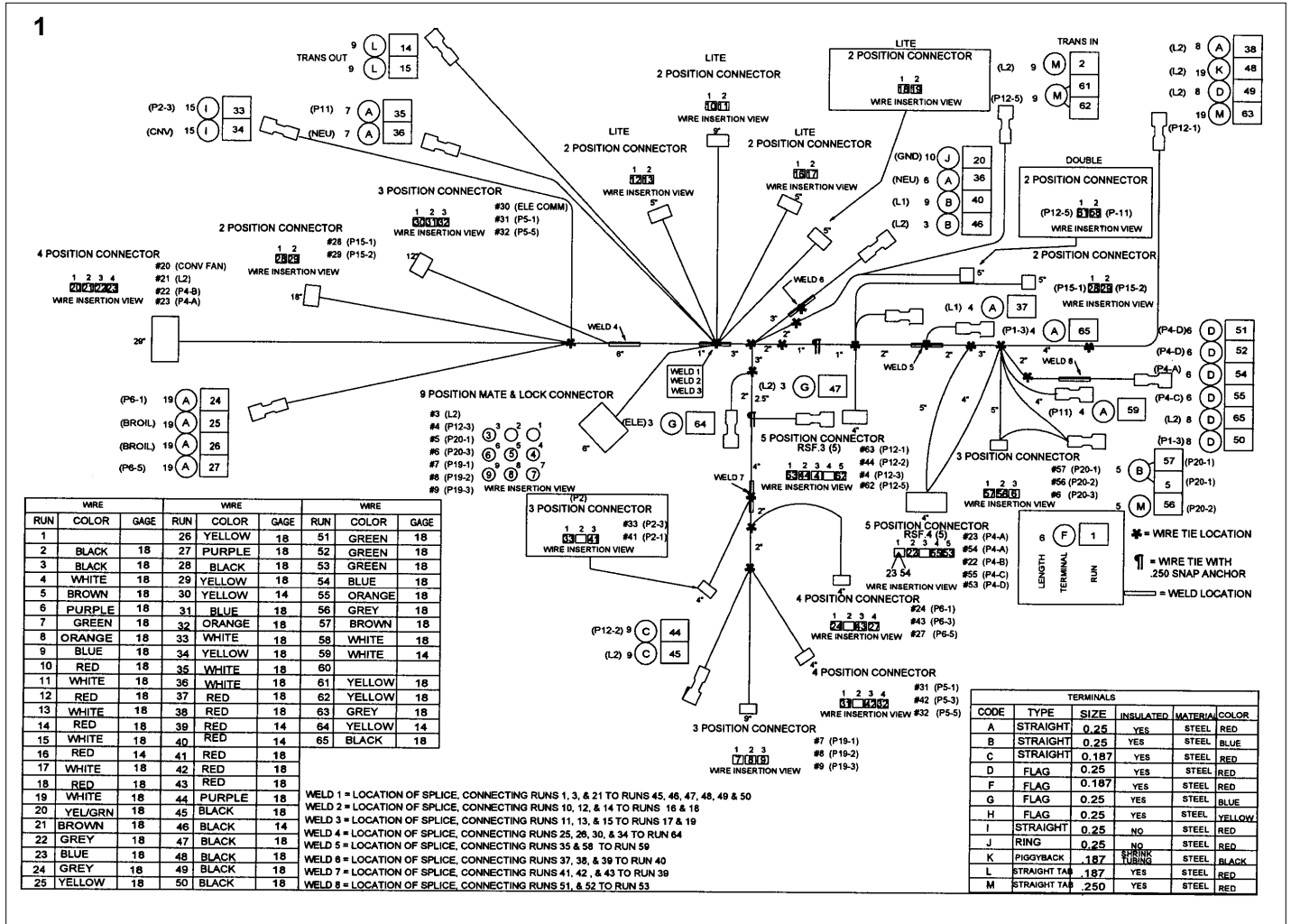
SIMPLE HARNESSES 2





Item	Part No.	Name	Qty	Uom	NOTES
1	PE070738	T/STAT-SEL HARNESS	1	EA	
2	PE070733	UPPER LATCH HARNESS	1	EA	
3	PE070734	SINGLE OVEN HEADER	1	EA	

UPPER CONTROL HARNESS





Item	Part No.	Name	Qty	Uom	NOTES
1	PE070742	UPPER CONTROL HARNESS	1	EA	



Appendix A:Pages Index

CAVITY INT 1
CONTROL AREA 2
DOOR ASSY 3
OVEN ELECTRONICS 4
OVEN EXTERIOR 5
REAR UNIT 6
SIMPLE HARNESSSES 1 7
SIMPLE HARNESSSES 2 8
UPPER CONTROL HARNESS 9



Appendix B:Parts Index

000268-000	3	A2009640	6
000594-000	3	A2009641	1
001499-000	3	A2009666	6
002406-000	4	A2009667	4
006070-000	3	A2009671	6
007665-000	2	A2009672	4
007671-000	2	A2009696	1
007674-000	2	A2009697	6
007718-000	2	A21010918	6
007783-000	2	A21010919	6
007935-002	2	C90014072BK	2
007935-006	2	C90014072WH	2
007935-021	2	E91012614	1
009588-000	2	E9107933	1
013250-000	4	E9107934	1
018607-000	4	E9109655	1
020403-000	1	G32012723AL	3
020477-000	1	G32012723ALBR	3
024040-000	1	G32012723BK	3
024102-000	1	G32012723BKBR	3
036047-000	2	G32012723BT	3
039293-000	4	G32012723BTBR	3
050172-000	2	G32012723BU	3
A10010907	6	G32012723BUBR	3
A10010911	4	G32012723CB	3
A10014028	2	G32012723CBBR	3
A20010910	4	G32012723EP	3
A20010934	4	G32012723EPBR	3
A20012640	3	G32012723FG	3
A20012641	3	G32012723FGBR	3
A20012649	4	G32012723GG	3
A20012650	5	G32012723GGBR	3
A20014021	1	G32012723LE	3
A20014044	1	G32012723LEBR	3
A20014048	4	G32012723MJ	3
A20014049	4	G32012723MJBR	3
A20014052	6	G32012723SG	3
A2009612	1	G32012723SGBR	3
A2009622	5	G32012723SS	3
A2009632	3	G32012723SSBR	3
		G32012723VB	3



G32012723VBBR	3	PD020186	3
G32012723WH	3	PD020232	1
G32012723WHBR	3	PD020261	2
G32014020	1	PD030006	3
G40015469	2	PD030172	2
G4005494	7	PD040004	2
G4005496	7	PD040152	4
G4005497	7	PD040164	2
G4005499	7	PE010016	3
G91013598	1	PE010017	3
G9109625	3	PE010079	3
PA010093	2	PE010080	3
PA010192	2	PE030001PVD	3
PB010305	2	PE030179	3
PB010313	2	PE030179PVD	3
PB020071	6	PE040273	5
PB020272	3	PE040274	5
PB040070	6	PE040275	5
PB060103	1	PE040276	5
PB060104	1	PE050023	2
PB060107	1	PE050072	2
PB070246	3	PE050114	1
PB070269	3	PE050115	1
PB070271	3	PE050140	2
PB070302	5	PE050206	1
PB070304	6	PE050208	4
PB070309	1	PE050250	4
PB070312	1	PE060094	3
PB070336	3	PE070147	4
PC020221	1	PE070733	8
PC020247	1	PE070734	8
PD020002	3, 5	PE070738	8
PD020004	2, 3, 4	PE070739	7
PD020010	4	PE070742	9
PD020014	4, 5	PE070743	7
PD020032	3	PE070754	7
PD020055	1	PJ010047	1
PD020060	1, 4, 6	PJ010048	1
PD020063	1, 3	PJ030033	2
PD020170	5	PJ030035	2
PD020185	4	PJ030040	2



PJ030043 4
PM010160 1
PS500015AL 3
PS500015ALBR 3
PS500015AR 3
PS500015BK 3
PS500015BKBR 3
PS500015BT 3
PS500015BTBR 3
PS500015BU 3
PS500015BUBR 3
PS500015CB 3
PS500015CBBR 3
PS500015EP 3
PS500015EPBR 3
PS500015FG 3
PS500015FGBR 3
PS500015GG 3
PS500015GGBR 3
PS500015GM 3
PS500015LE 3
PS500015LEBR 3
PS500015MJ 3
PS500015MJBR 3
PS500015SA 3
PS500015SG 3
PS500015SGBR 3
PS500015SS 3
PS500015SSBR 3
PS500015VB 3
PS500015VBBR 3
PS500015WH 3
PS500015WHBR 3