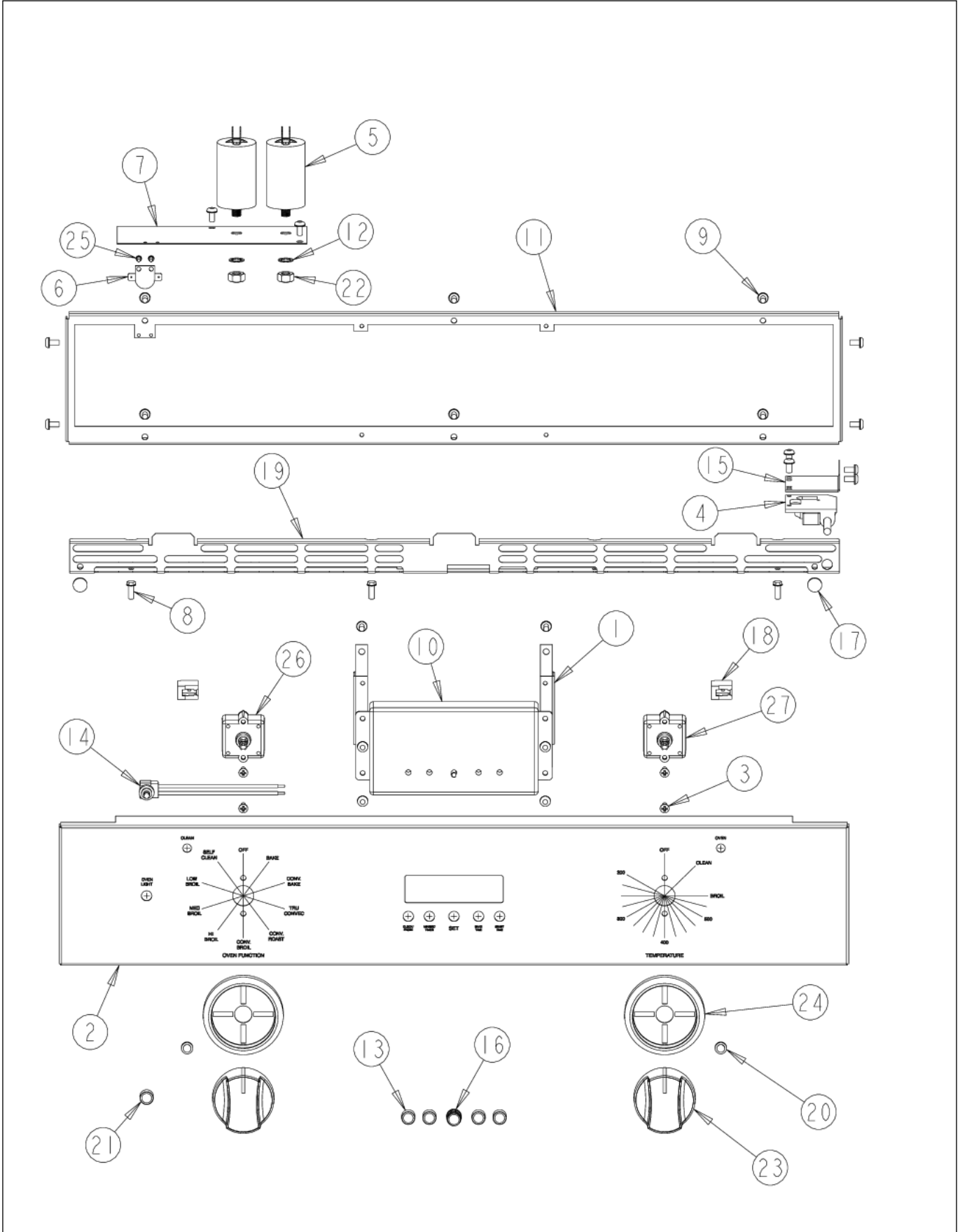


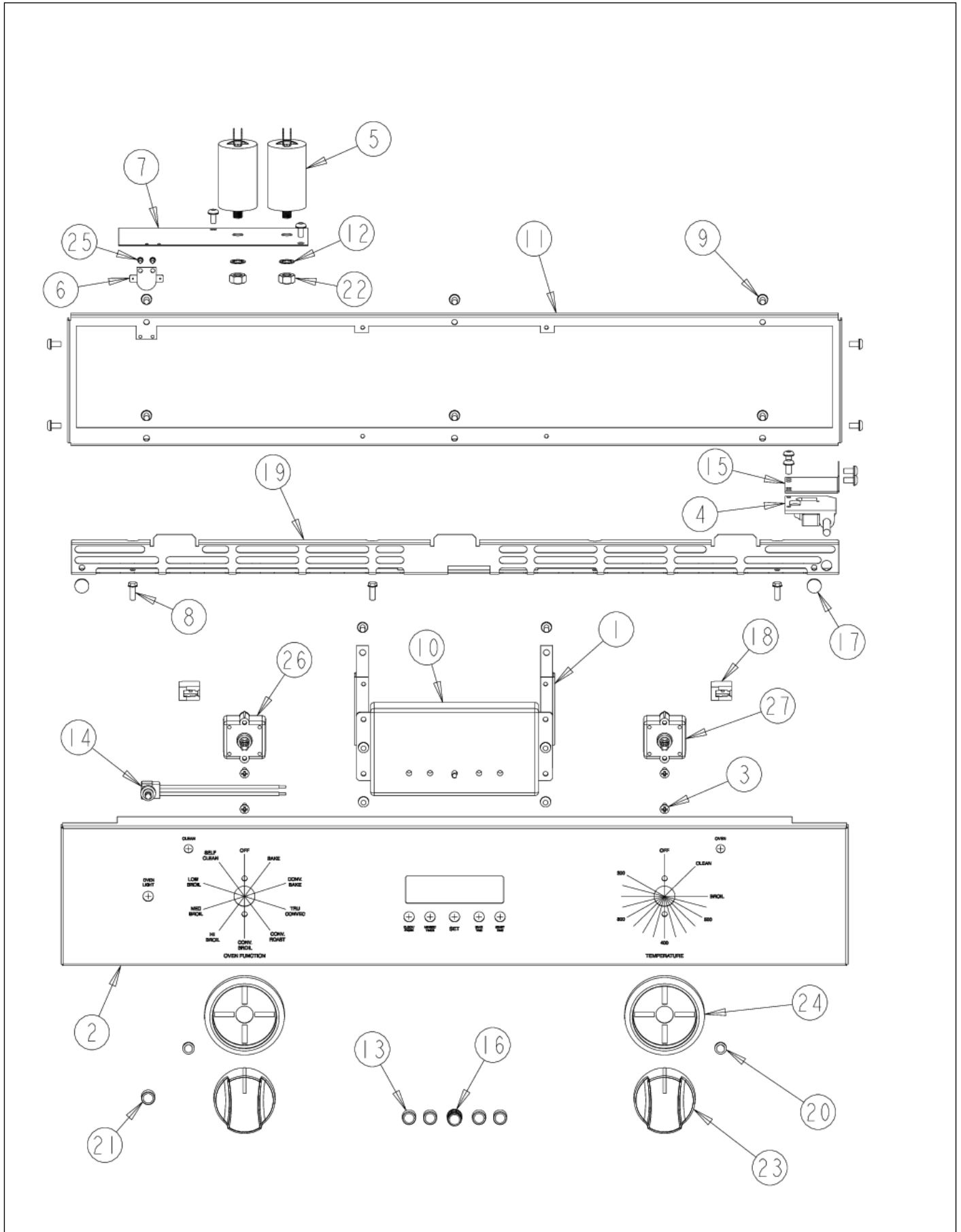
VESO530

CONTROL AREA	1
DOOR ASSEMBLY	2
LOWER UNIT AREA	3
OVEN EXTERIOR AREA	4
OVEN INTERIOR AREA	5
REAR UNIT AREA	6
SIMPLE HARNESS 1	7
SIMPLE HARNESSES 2	8
UPPER CONTROL HARNESS	9
UPPER OVEN CAVITY	10
UPPER UNIT AREA AFTER 07-20-06	11
UPPER UNIT AREA BEFORE 07-20-06	12
Appendix A:Pages Index	A
Appendix B:Parts Index	B

CONTROL AREA



Item	Part No.	Name	Qty	Uom	NOTES
1	A20014063	CLOCK BRACKET	1	EA	
2	B92014069	30" PROF. PREMIERE CONTROL PNL.	1	EA	
Not Shown	C92014069BK	30" PROF. PREMIERE CONTROL PNL. *BK*	1	EA	NO LONGER AVAILABLE, Not available online / Call for pricing and availability
Not Shown	C92014069WH	30" PROF. PREMIERE CONTROL PNL. *WH*	1	EA	NO LONGER AVAILABLE, Not available online / Call for pricing and availability
3	PD020261	' #8-32X1/2" PH PANHEAD MACH. SCREW	1	EA	
4	PE050208	DOOR SWITCH	1	EA	
5	036047-000	CAPACITOR, CONV MOTOR, INTL	1	EA	
6	G50015481	PRO HI-LIMIT SERVICE KIT	1	EA	
Not Shown	NOTE	(BEFORE 07-17-06)		EA	
Not Shown	PJ030043	Bi Metal Thermostat - 150 Degrees	1	EA	
Not Shown	NOTE	(AFTER 07-17-06)		EA	
7	A10014028	2 CAPACITOR BRACKET	1	EA	
Comments for Part Num. A10014028 service@priorityappliance.com on Jan 17, 2019 The capacitors are part # 036047-000, found by looking up a VEDO130. Confirmed - they're the same capacitor.					
8	PD020060	10 X 1/2" (5/16)HEX WSHER HD.(T)A	1	EA	
9	PD020004	10X3/8PH.HD.TYPE 25 REPL PD040125	1	EA	
10	PE050214	CLOCK (DIGITAL 230V 50/60HZ)	1	EA	
11	A20014062	30" CONTROL MTG PANEL	1	EA	Not available online / Call for pricing and availability
12	PD040164	5/16 INTERNAL TOOTH LOCK WASHER TYPE A	1	EA	
13	PB010306	PROF. CLOCK BUTTON	1	EA	





Item	Part No.	Name	Qty	Uom	NOTES
Not Shown	PB010310	PROF. CLOCK BUTTON *WH*	1	EA	
14	G40015469	LIGHT SWITCH ASSEMBLY	1	EA	
15	A20012649	DOOR SWITCH BRACKET	1	EA	
16	PB010307	PROF. CLOCK KNOB	1	EA	
Not Shown	PB010311	PROF. CLOCK KNOB *WH*	1	EA	
17	PD040004	GROMMET BUMPER	1	EA	
18	PE050072	LENS OPENING	1	EA	
19	C90014072BK	30" INLET GRILL	1	EA	
20	PE050023	OVEN IND. LIGHT (LENS & BEZEL)	1	EA	
21	PB010308	PROF. OVEN LIGHT BUTTON	1	EA	NO LONGER AVAILABLE
Not Shown	PB010312	PROF. OVEN LIGHT BUTTON *WH*	1	EA	NO LONGER AVAILABLE
22	PD030172	M8 X 1.25MM NUT	1	EA	
23	PB010305	PROF. SELECTOR/THERMOSTAT KNOB	1	EA	
Not Shown	PB010309	PROF. SELECTOR/THERMOSTAT KNOB *WH*	1	EA	
24	050172-000	BEZEL, KNOB	1	EA	
Not Shown	PB010304PVD	RESTYLE KNOB BEZEL, BR	1	EA	
25	PD020013	TYPE "AB" #6 X 3/8 PH PAN HD. SMS	1	EA	
26	PJ030033	SELECTOR (10 POS)	1	EA	
27	PJ030035	THERMOSTAT	1	EA	

Comments for Part Num. PJ030035

parts@lvdistributes.com on Feb 7, 2018

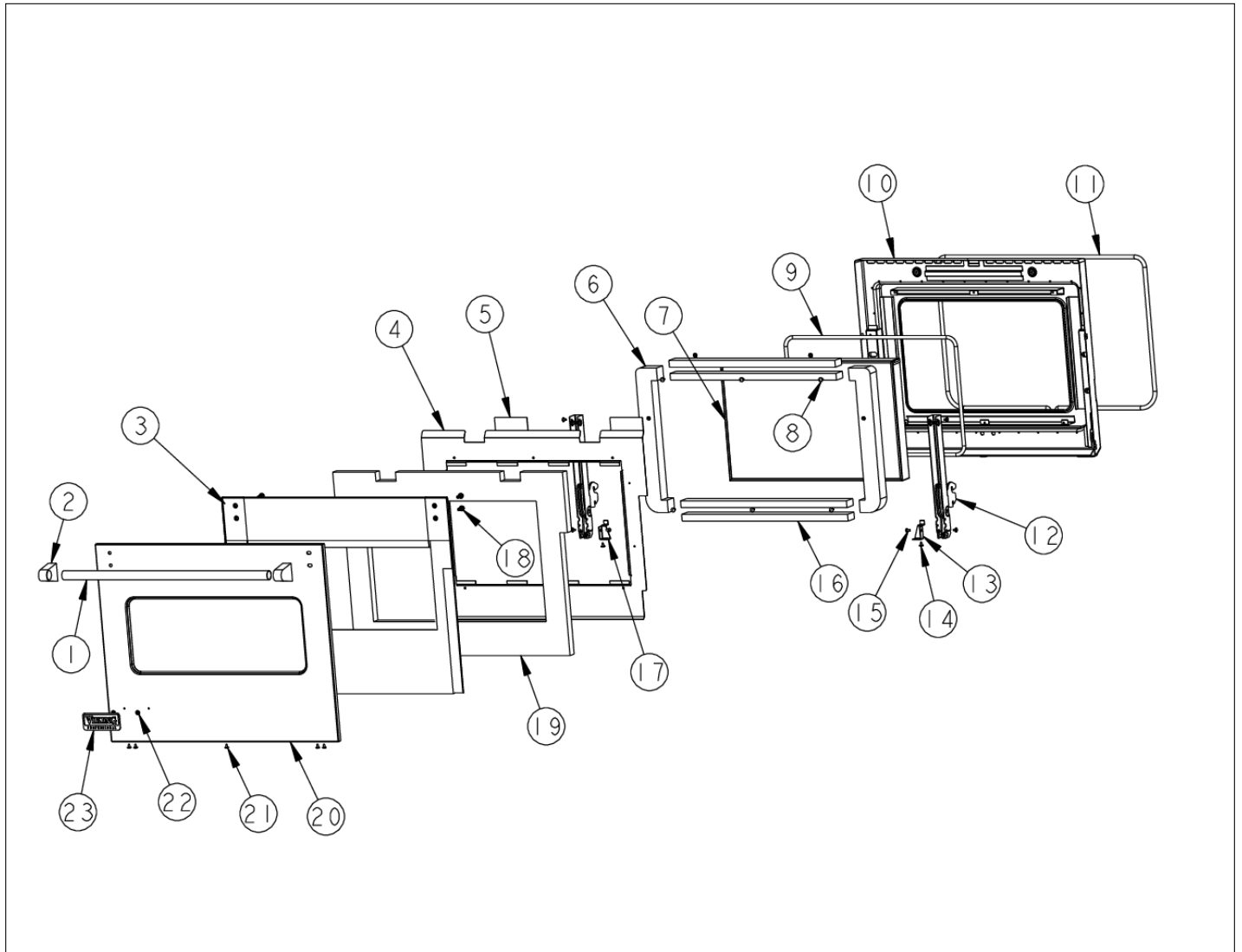
this is not the correct part for this range it should be a 003225-000

Reply by JREXEC02@AOL.COM on Feb 27, 2018

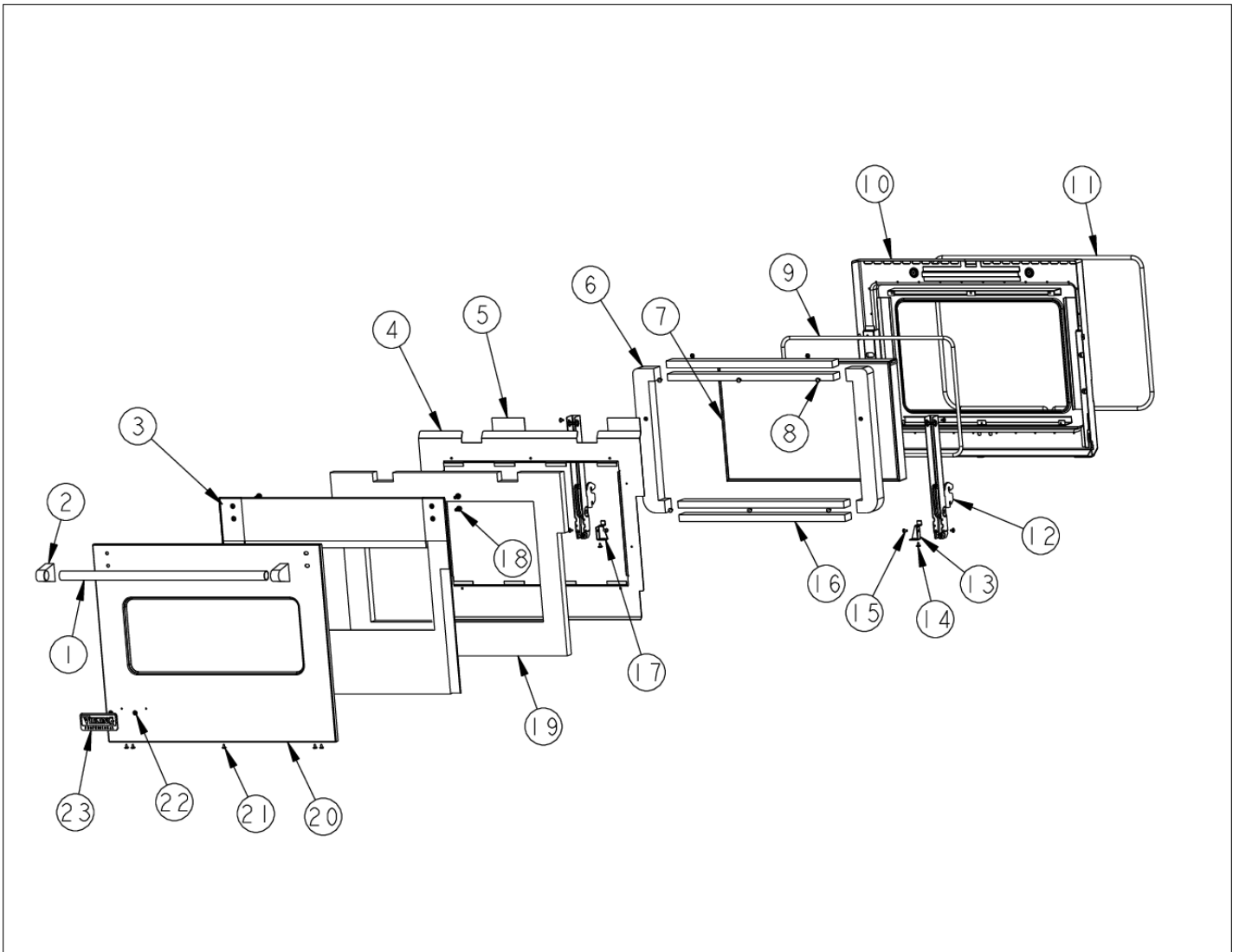
003225-000 is an Induction Control.

PJ030035 is the red colored thermostat for the Gas Range

DOOR ASSEMBLY

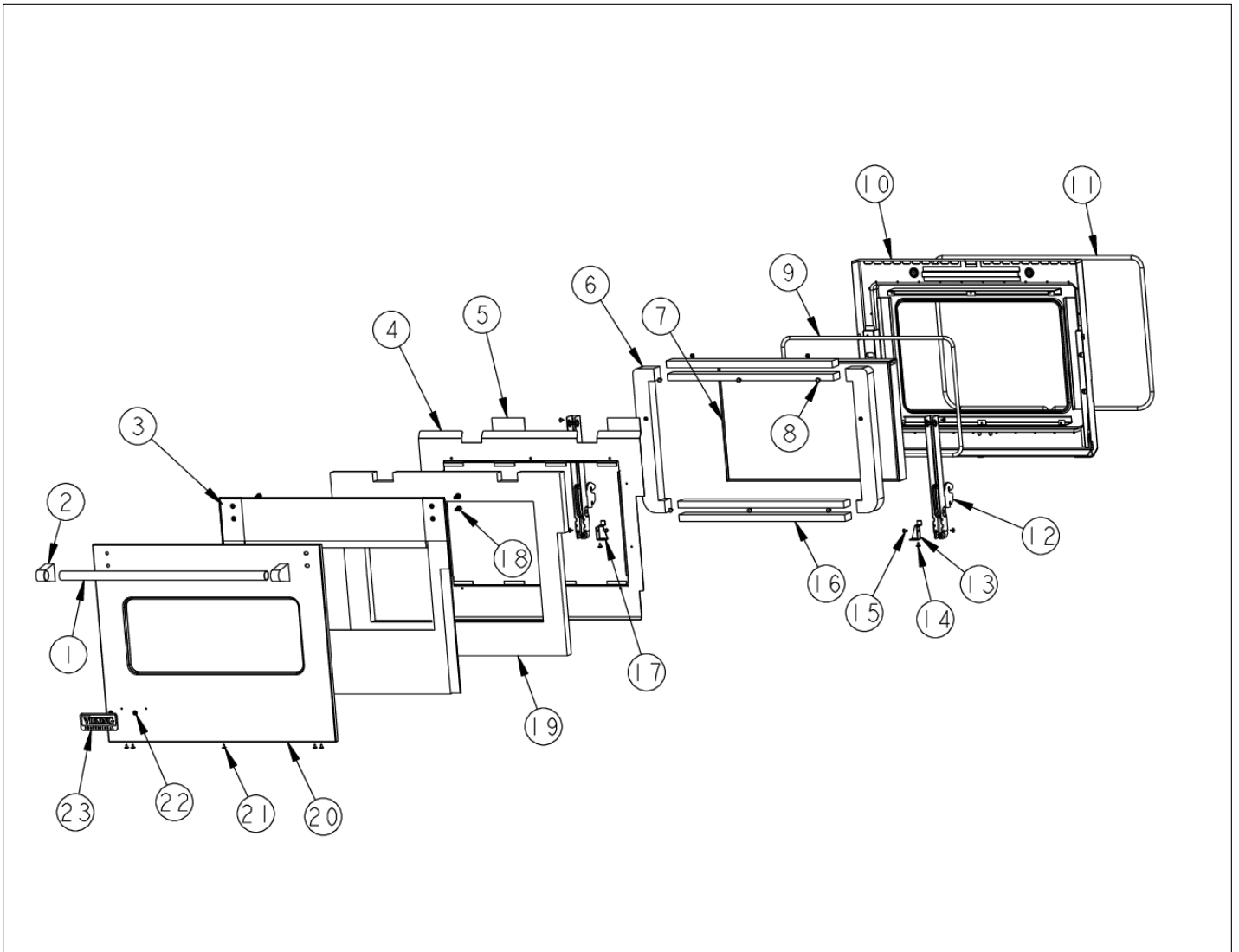


Item	Part No.	Name	Qty	Uom	NOTES
1	PE030179	30" PROF. DOOR HANDLE	1	EA	
Not Shown	PE030179PVD	30" PROF. DOOR HANDLE *PVD* 24.907	1	EA	NO LONGER AVAILABLE, Not available online / Call for pricing and availability
2	000268-000	HANDLE ENDCAP	1	EA	
Not Shown	PE030001PVD	END CAP DOOR HANDLE *BR	1	EA	
3	001499-000	Pro 30" Insulation Retainer Kit (After 7-17-06)	1	EA	NO LONGER AVAILABLE
Not Shown	001500-000	Pro 30" Insulation Retainer Kit (Before 7-17-06)	1	EA	
4	A2009632	PANEL, INULATION, INNER DOOR	1	EA	
5	PB070336	Door Bracket Insulation	1	EA	
6	PB070271	DOOR PLUG INSULATION	1	EA	
7	PE060094	30 WINDOW PACK	1	EA	
8	PD020002	10 X 1/2 PH.TR.HD.SMS.	1	EA	
9	000594-000	BLACK FIBERGLASS ROPE 3/8	1	EA	
10	G9109625	DOOR LINER PORC.	1	EA	
11	PB070246	30" DOOR GASKET	1	EA	
12	006070-000	HINGE, DOOR, ASM, MANSFIELD, DES, GREEN SPRING	1	EA	
13	A20012640	HINGE SUPPORT RH	1	EA	
14	PD020063	SCREW-#8(A) X 3/8"PH WFR HD/BK OXID	1	EA	
15	PD020004	10X3/8PH.HD.TYPE 25 REPL PD040125	1	EA	
16	PB070269	30" WINDOW PACK INSULATION	1	EA	
17	A20012641	HINGE SUPPORT LH	1	EA	
18	PD020186	1/4"-20 X 3/4" HEX WASHER HEAD MS	1	EA	Not available online / Call for pricing and availability
19	PB020272	304SS 3/4 X .035 TUBING	1	EA	Not available online / Call for pricing and availability



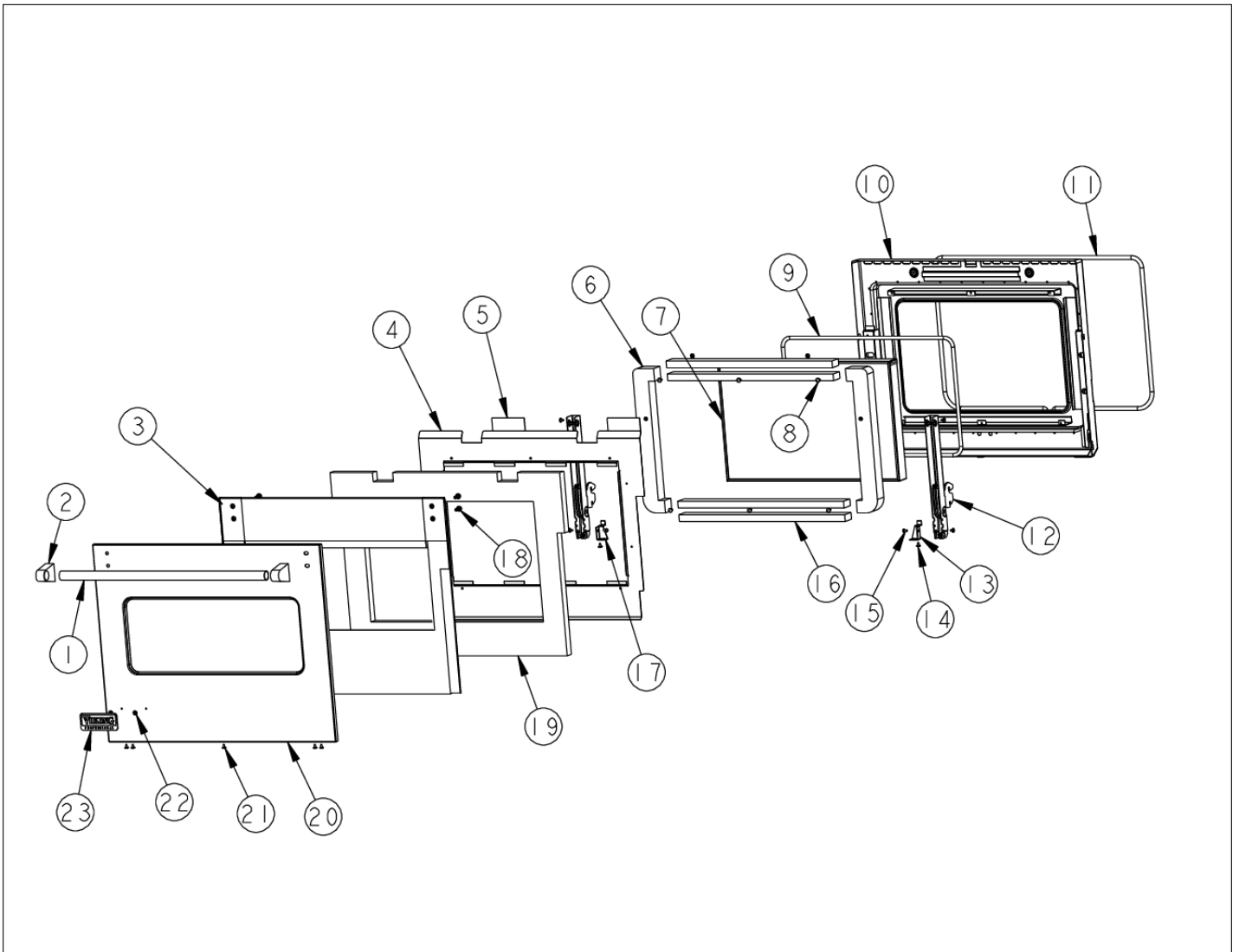


Item	Part No.	Name	Qty	Uom	NOTES
20	PS500015AL	30" PRO DOOR SKIN SVC KIT W/LOGO AFTER 07/17/06 - AL	1	EA	NO LONGER AVAILABLE, Not available online / Call for pricing and availability
Not Shown	PS500015ALBR	30" PRO DOOR SKIN SVC KIT W/LOGO AFTER 07/17/06 - AL/BR	1	EA	NO LONGER AVAILABLE
Not Shown	PS500015BK	30" PRO DOOR SKIN SVC KIT W/LOGO AFTER 07/17/06 -BK	1	EA	
Not Shown	PS500015BKBR	30" PRO DOOR SKIN SVC KIT W/LOGO AFTER 07/17/06 - BK/BR	1	EA	Not available online / Call for pricing and availability
Not Shown	PS500015BT	30" PRO DOOR SKIN SVC KIT W/LOGO AFTER 07/17/06 - BT	1	EA	NO LONGER AVAILABLE
Not Shown	PS500015BTBR	30" PRO DOOR SKIN SVC KIT W/LOGO AFTER 07/17/06 - BTBR	1	EA	NO LONGER AVAILABLE
Not Shown	PS500015BU	30" PRO DOOR SKIN SVC KIT W/LOGO AFTER 07/17/06 -BU	1	EA	
Not Shown	PS500015BUBR	30" PRO DOOR SKIN SVC KIT W/LOGO AFTER 07/17/06 - BU/BR	1	EA	NO LONGER AVAILABLE
Not Shown	PS500015CB	30" PRO DOOR SKIN SVC KIT W/LOGO AFTER 07/17/06 - CB	1	EA	Not available online / Call for pricing and availability
Not Shown	PS500015CBBR	30" PRO DOOR SKIN SVC KIT W/LOGO AFTER 07/17/06 - CB/BR	1	EA	
Not Shown	PS500015EP	30" PRO DOOR SKIN SVC KIT W/LOGO AFTER 07/17/06 - EP	1	EA	NO LONGER AVAILABLE, Not available online / Call for pricing and availability
Not Shown	PS500015EPBR	30" PRO DOOR SKIN SVC KIT W/LOGO AFTER 07/17/06 - EP/BR	1	EA	NO LONGER AVAILABLE, Not available online / Call for pricing and availability
Not Shown	PS500015FG	30" PRO DOOR SKIN SVC KIT W/LOGO AFTER 07/17/06 - FG	1	EA	NO LONGER AVAILABLE, Not available online / Call for pricing and availability
Not Shown	PS500015FGBR	30" PRO DOOR SKIN SVC KIT W/LOGO AFTER 07/17/06 - FG/BR	1	EA	NO LONGER AVAILABLE, Not available online / Call for pricing and availability



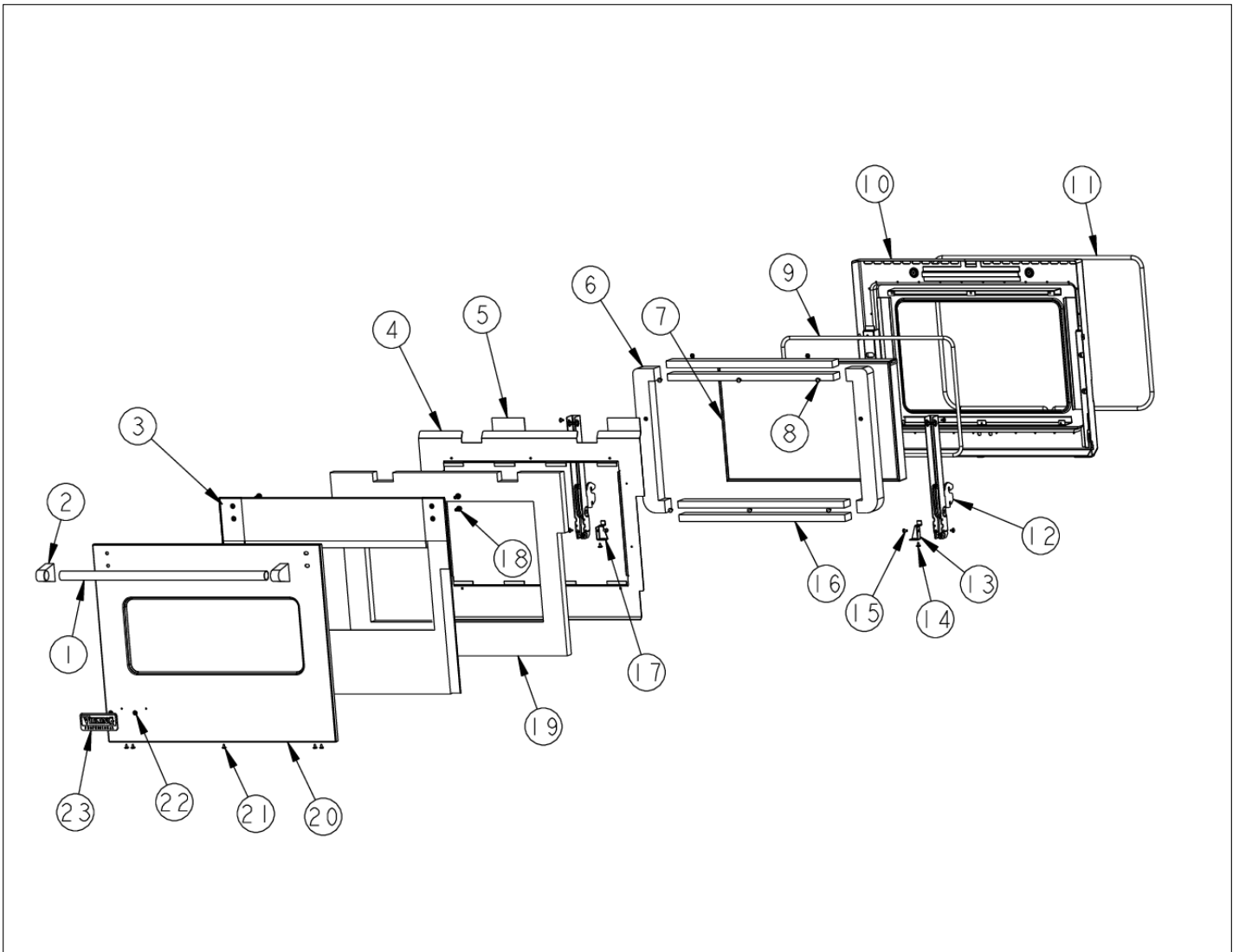


Item	Part No.	Name	Qty	Uom	NOTES
Not Shown	PS500015GG	30" PRO DOOR SKIN SVC KIT W/LOGO AFTER 07/17/06 -GG	1	EA	Not available online / Call for pricing and availability
Not Shown	PS500015GGBR	30" PRO DOOR SKIN SVC KIT W/LOGO AFTER 07/17/06 - GG/BR	1	EA	NO LONGER AVAILABLE, Not available online / Call for pricing and availability
Not Shown	PS500015LE	30" PRO DOOR SKIN SVC KIT W/LOGO AFTER 07/17/06 - LE	1	EA	NO LONGER AVAILABLE, Not available online / Call for pricing and availability
Not Shown	PS500015LEBR	30" PRO DOOR SKIN SVC KIT W/LOGO AFTER 07/17/06 - LE/BR	1	EA	NO LONGER AVAILABLE, Not available online / Call for pricing and availability
Not Shown	PS500015MJ	30" PRO DOOR SKIN SVC KIT W/LOGO AFTER 07/17/06 - MJ	1	EA	NO LONGER AVAILABLE
Not Shown	PS500015MJBR	30" PRO DOOR SKIN SVC KIT W/LOGO AFTER 07/17/06 - MJ/BR	1	EA	NO LONGER AVAILABLE, Not available online / Call for pricing and availability
Not Shown	PS500015SG	30" PRO DOOR SKIN SVC KIT W/LOGO AFTER 07/17/06 - SG	1	EA	
Not Shown	PS500015SGBR	30" PRO DOOR SKIN SVC KIT W/LOGO AFTER 07/17/06 - SGBR	1	EA	NO LONGER AVAILABLE, Not available online / Call for pricing and availability
Not Shown	PS500015SS	30" PRO DOOR SKIN SVC KIT W/LOGO AFTER 07/17/06 -SS	1	EA	
Not Shown	PS500015SSBR	30" PRO DOOR SKIN SVC KIT W/LOGO AFTER 07/17/06 - SS/BR	1	EA	Not available online / Call for pricing and availability
Not Shown	PS500015VB	30" PRO DOOR SKIN SVC KIT W/LOGO AFTER 07/17/06 - VB	1	EA	Not available online / Call for pricing and availability
Not Shown	PS500015VBBR	30" PRO DOOR SKIN SVC KIT W/LOGO AFTER 07/17/06 - VBBR	1	EA	
Not Shown	PS500015WH	30" PRO DOOR SKIN SVC KIT W/LOGO AFTER 07/17/06 - WH	1	EA	

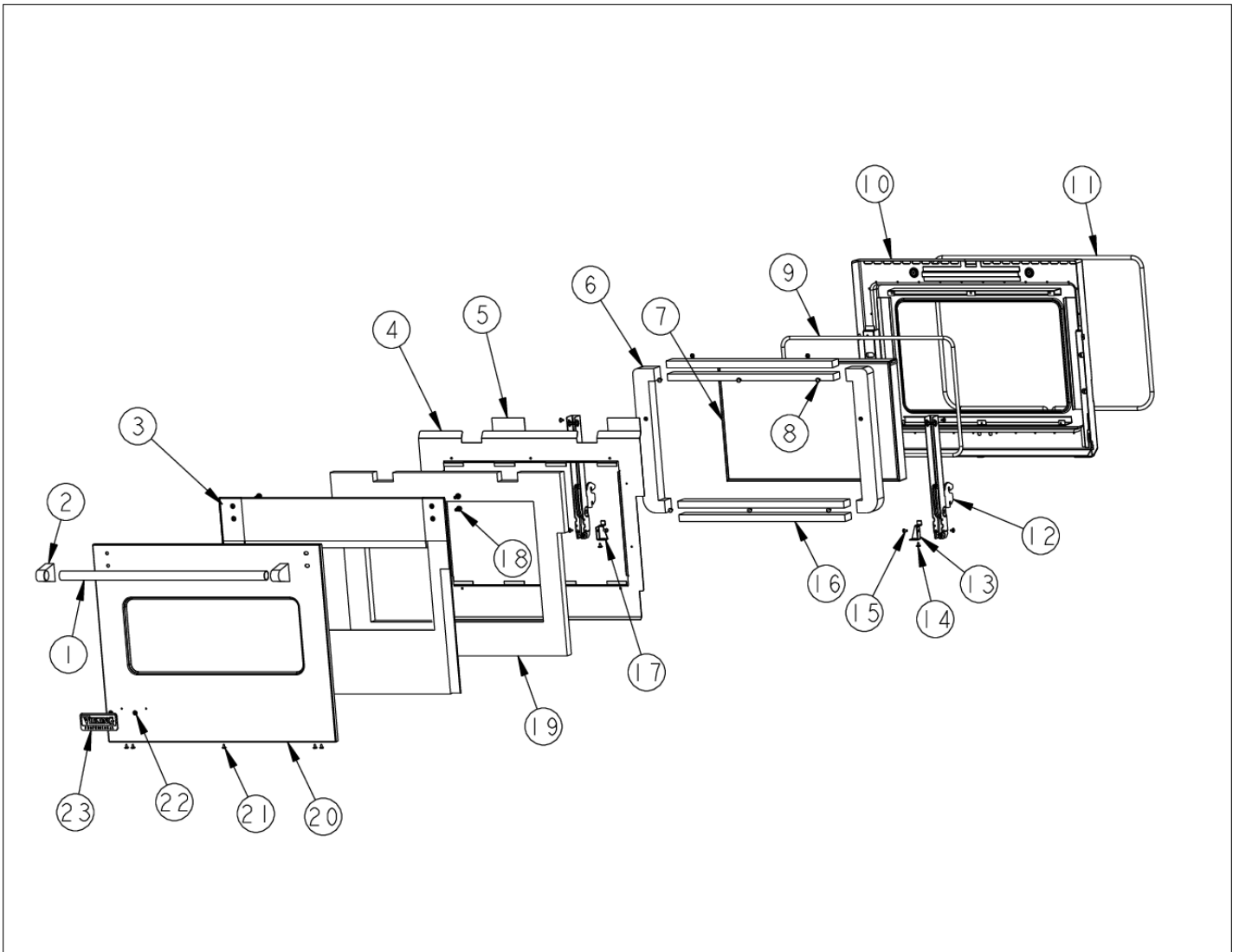




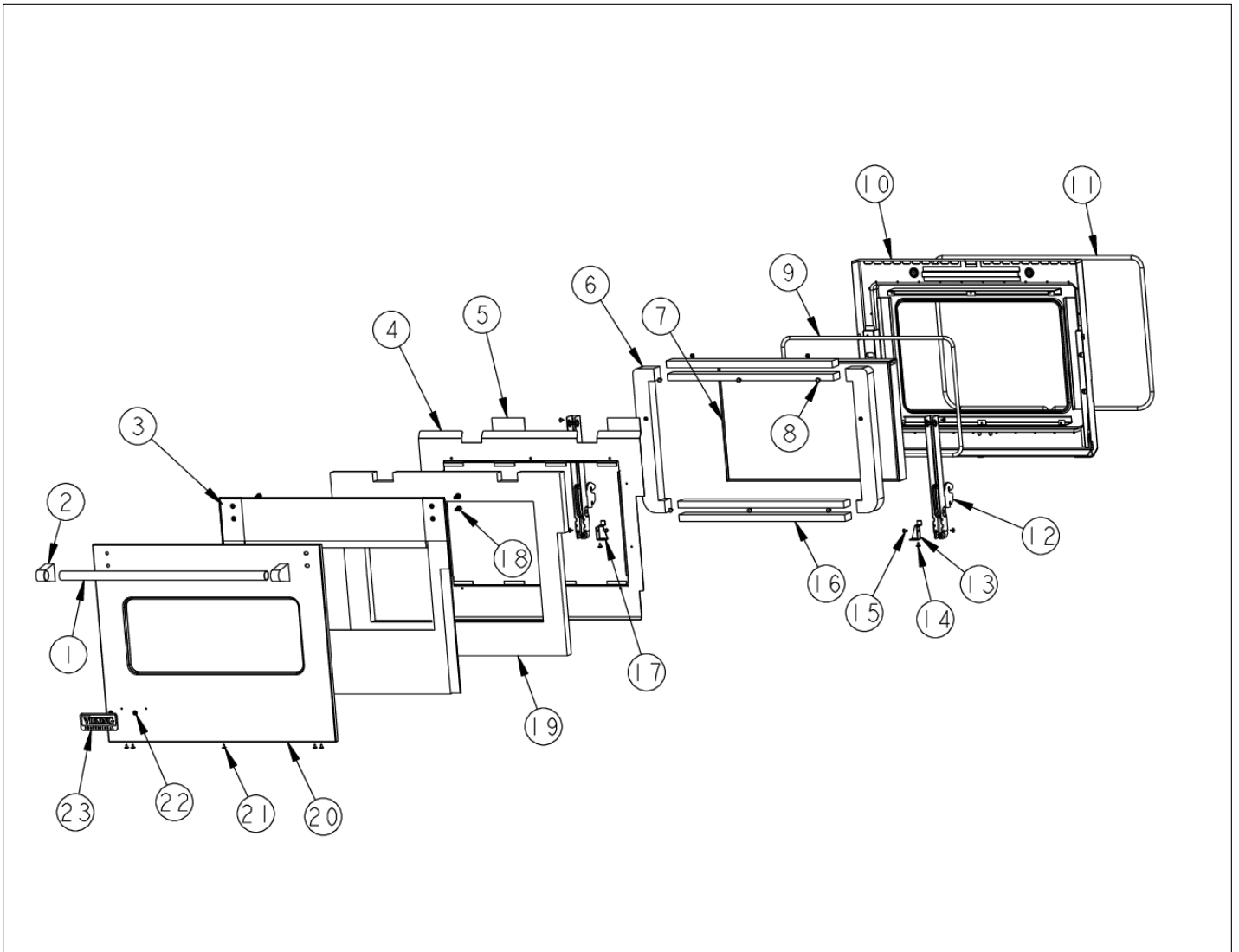
Item	Part No.	Name	Qty	Uom	NOTES
Not Shown	PS500015WHBR	30" PRO DOOR SKIN SVC KIT W/LOGO AFTER 07/17/06 - WH/BR	1	EA	NO LONGER AVAILABLE, Not available online / Call for pricing and availability
Not Shown	PS500019AL	30" PRO DOOR SKIN SERVICE KIT W/LOGO BEFORE 07/17/06-AL	1	EA	NO LONGER AVAILABLE, Not available online / Call for pricing and availability
Not Shown	PS500019ALBR	30" PRO DOOR SKIN SERVICE KIT W/LOGO BEFORE 07/17/06-AL/BR	1	EA	NO LONGER AVAILABLE, Not available online / Call for pricing and availability
Not Shown	PS500019BK	30" PRO DOOR SKIN SERVICE KIT W/LOGO BEFORE 07/17/06-BK	1	EA	NO LONGER AVAILABLE
Not Shown	PS500019BKBR	30" PRO DOOR SKIN SERVICE KIT W/LOGO BEFORE 07/17/06-BK/BR	1	EA	NO LONGER AVAILABLE, Not available online / Call for pricing and availability
Not Shown	PS500019BT	30" PRO DOOR SKIN SERVICE KIT W/LOGO BEFORE 07/17/06-BT	1	EA	NO LONGER AVAILABLE, Not available online / Call for pricing and availability
Not Shown	PS500019BTBR	30" PRO DOOR SKIN SERVICE KIT W/LOGO BEFORE 07/17/06-BT/BR	1	EA	NO LONGER AVAILABLE, Not available online / Call for pricing and availability
Not Shown	PS500019BU	30" PRO DOOR SKIN SERVICE KIT W/LOGO BEFORE 07/17/06-BU	1	EA	NO LONGER AVAILABLE, Not available online / Call for pricing and availability
Not Shown	PS500019BUBR	30" PRO DOOR SKIN SERVICE KIT W/LOGO BEFORE 07/17/06-BU/BR	1	EA	NO LONGER AVAILABLE, Not available online / Call for pricing and availability
Not Shown	PS500019CB	30" PRO DOOR SKIN SERVICE KIT W/LOGO BEFORE 07/17/06-CB	1	EA	NO LONGER AVAILABLE, Not available online / Call for pricing and availability
Not Shown	PS500019CBBR	30" PRO DOOR SKIN SERVICE KIT W/LOGO BEFORE 07/17/06-CB/BR	1	EA	NO LONGER AVAILABLE, Not available online / Call for pricing and availability



Item	Part No.	Name	Qty	Uom	NOTES
Not Shown	PS500019EP	30" PRO DOOR SKIN SERVICE KIT W/LOGO BEFORE 07/17/06-EP	1	EA	NO LONGER AVAILABLE, Not available online / Call for pricing and availability
Not Shown	PS500019EPBR	30" PRO DOOR SKIN SERVICE KIT W/LOGO BEFORE 07/17/06-EP/BR	1	EA	NO LONGER AVAILABLE, Not available online / Call for pricing and availability
Not Shown	PS500019FG	30" PRO DOOR SKIN SERVICE KIT W/LOGO BEFORE 07/17/06-FG	1	EA	NO LONGER AVAILABLE, Not available online / Call for pricing and availability
Not Shown	PS500019FGBR	30" PRO DOOR SKIN SERVICE KIT W/LOGO BEFORE 07/17/06-FG/BR	1	EA	NO LONGER AVAILABLE, Not available online / Call for pricing and availability
Not Shown	PS500019GG	30" PRO DOOR SKIN SERVICE KIT W/LOGO BEFORE 07/17/06-GG	1	EA	NO LONGER AVAILABLE, Not available online / Call for pricing and availability
Not Shown	PS500019GGBR	30" PRO DOOR SKIN SERVICE KIT W/LOGO BEFORE 07/17/06-GG/BR	1	EA	NO LONGER AVAILABLE, Not available online / Call for pricing and availability
Not Shown	PS500019LE	30" PRO DOOR SKIN SERVICE KIT W/LOGO BEFORE 07/17/06- LE	1	EA	NO LONGER AVAILABLE, Not available online / Call for pricing and availability
Not Shown	PS500019LEBR	30" PRO DOOR SKIN SERVICE KIT W/LOGO BEFORE 07/17/06- LE/BR	1	EA	NO LONGER AVAILABLE, Not available online / Call for pricing and availability
Not Shown	PS500019MJ	30" PRO DOOR SKIN SERVICE KIT W/LOGO BEFORE 07/17/06-MJ	1	EA	NO LONGER AVAILABLE, Not available online / Call for pricing and availability
Not Shown	PS500019MJBR	30" PRO DOOR SKIN SERVICE KIT W/LOGO BEFORE 07/17/06-MJ/BR	1	EA	NO LONGER AVAILABLE, Not available online / Call for pricing and availability
Not Shown	PS500019SG	30" PRO DOOR SKIN SERVICE KIT W/LOGO BEFORE 07/17/06-SG	1	EA	NO LONGER AVAILABLE, Not available online / Call for pricing and availability

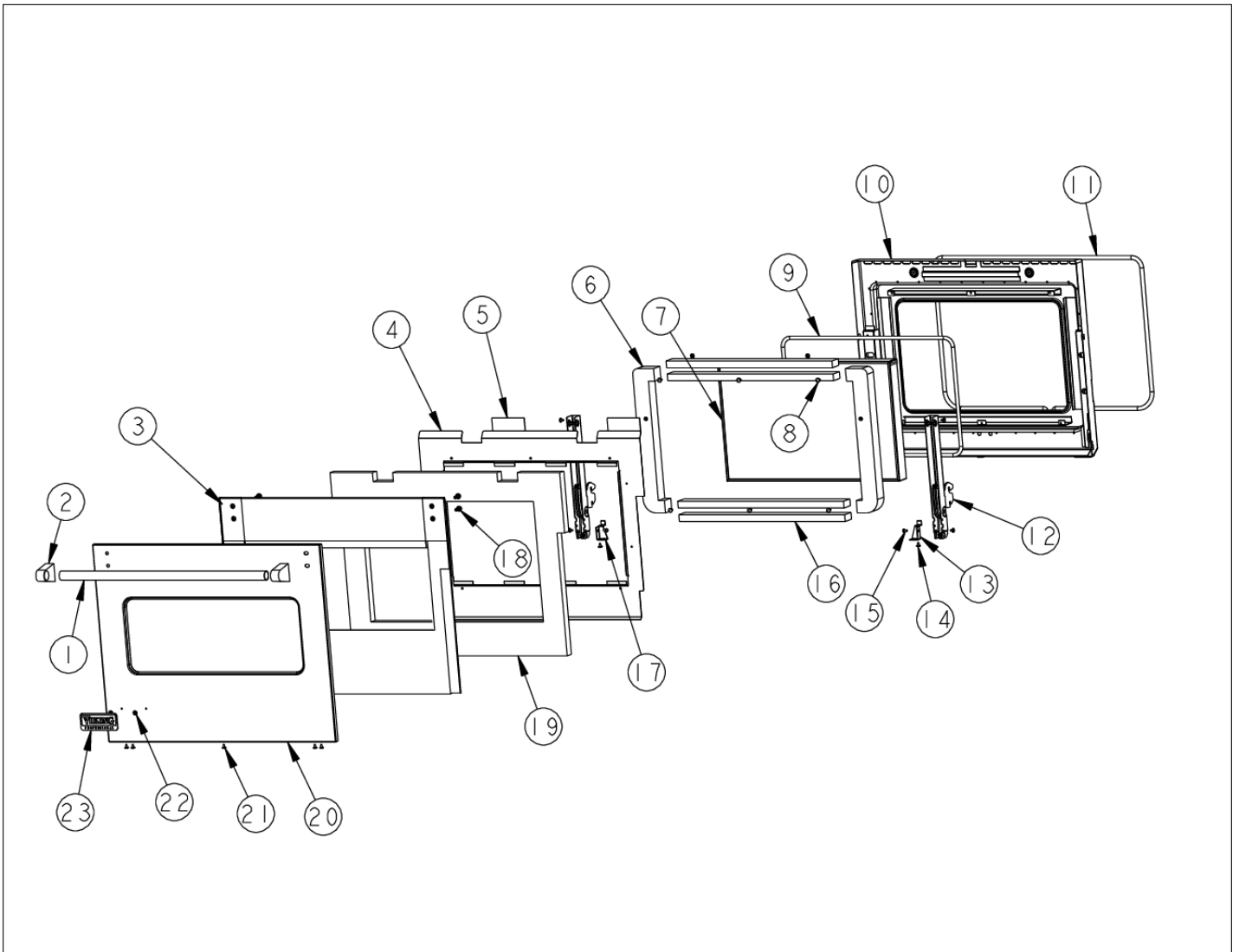


Item	Part No.	Name	Qty	Uom	NOTES
Not Shown	PS500019SGBR	30" PRO DOOR SKIN SERVICE KIT W/LOGO BEFORE 07/17/06-SG/BR	1	EA	NO LONGER AVAILABLE, Not available online / Call for pricing and availability
Not Shown	PS500019SS	30" PRO DOOR SKIN SERVICE KIT W/LOGO BEFORE 07/17/06-SS	1	EA	
Not Shown	PS500019SSBR	30" PRO DOOR SKIN SERVICE KIT W/LOGO BEFORE 07/17/06-SS/BR	1	EA	NO LONGER AVAILABLE
Not Shown	PS500019VB	30" PRO DOOR SKIN SERVICE KIT W/LOGO BEFORE 07/17/06- VB	1	EA	NO LONGER AVAILABLE, Not available online / Call for pricing and availability
Not Shown	PS500019VBBR	30" PRO DOOR SKIN SERVICE KIT W/LOGO BEFORE 07/17/06-VB/BR	1	EA	NO LONGER AVAILABLE, Not available online / Call for pricing and availability
Not Shown	PS500019WH	30" PRO DOOR SKIN SERVICE KIT W/LOGO BEFORE 07/17/06-WH	1	EA	
Not Shown	PS500019WHBR	30" PRO DOOR SKIN SERVICE KIT W/LOGO BEFORE 07/17/06-WH/BR	1	EA	NO LONGER AVAILABLE, Not available online / Call for pricing and availability
21	PD020032	SRW-8(A)X3/8"PH.WFR HD 7/16DIA*NICL	1	EA	
22	PD030006	CAPPED WASHER PAL NUT	1	EA	
23	PE010016	LOGO (ALL RANGES) *BK/CHR 307997W	1	EA	
Not Shown	PE010017	LOGO (VGSO,VEDO,VGDO,VUD) *WH/CHR	1	EA	
Not Shown	PE010079	4.5" LOGO/VIKING PROF *BK/BR	1	EA	
Not Shown	PE010080	4.5" LOGO/VIKING PROF *WH/BR	1	EA	
NI	G32012723AL	30" DOOR ASSY W/LOGO *AL*	1	EA	NO LONGER AVAILABLE
Not Shown	G32012723ALBR	COMPLETE DOOR ASSY. - ALBR	1	EA	Not available online / Call for pricing and availability





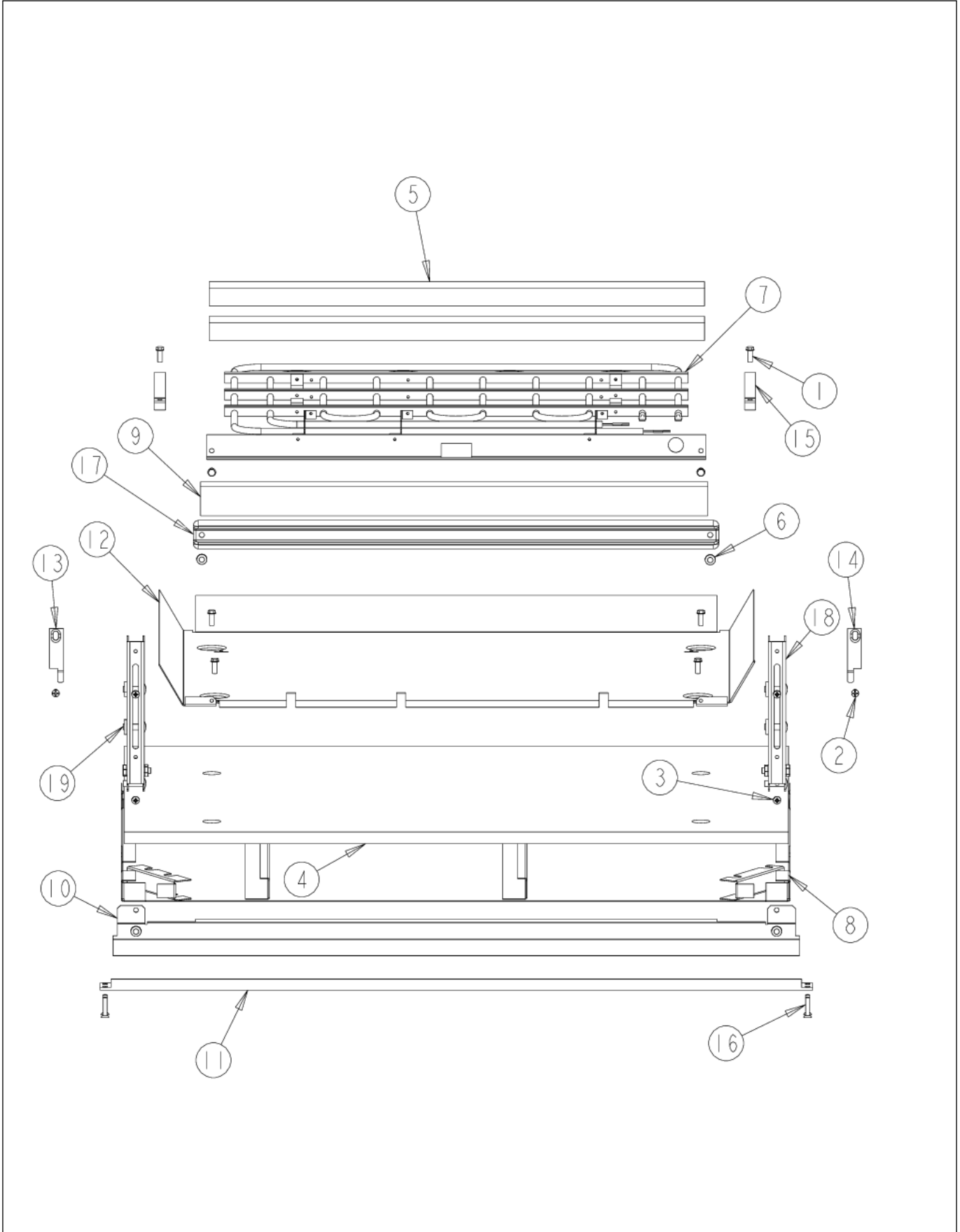
Item	Part No.	Name	Qty	Uom	NOTES
Not Shown	G32012723BK	30" DOOR ASSY W/LOGO *BK*	1	EA	Not available online / Call for pricing and availability
Not Shown	G32012723BKBR	30" DOOR ASSY W/LOGO *BKBR*	1	EA	NO LONGER AVAILABLE
Not Shown	G32012723BT	30" DOOR ASSY W/LOGO *BT*	1	EA	NO LONGER AVAILABLE, Not available online / Call for pricing and availability
Not Shown	G32012723BTBR	COMPLETE DOOR ASSY. - BTBR	1	EA	Not available online / Call for pricing and availability
Not Shown	G32012723BU	30" DOOR ASSY W/LOGO *BU*	1	EA	NO LONGER AVAILABLE, Not available online / Call for pricing and availability
Not Shown	G32012723BUBR	COMPLETE DOOR ASSY. - BUBR	1	EA	Not available online / Call for pricing and availability
Not Shown	G32012723CB	30" DOOR ASSY W/LOGO *CB*	1	EA	NO LONGER AVAILABLE, Not available online / Call for pricing and availability
Not Shown	G32012723CBBR	30" DOOR ASSY W/LOGO *CBBR*	1	EA	
Not Shown	G32012723EP	30" DOOR ASSY W/LOGO *EP*	1	EA	NO LONGER AVAILABLE, Not available online / Call for pricing and availability
Not Shown	G32012723EPBR	COMPLETE DOOR ASSY. - EPBR	1	EA	Not available online / Call for pricing and availability
Not Shown	G32012723FG	30" DOOR ASSY W/LOGO *FG*	1	EA	NO LONGER AVAILABLE, Not available online / Call for pricing and availability
Not Shown	G32012723FGBR	COMPLETE DOOR ASSY. - FGBR	1	EA	Not available online / Call for pricing and availability
Not Shown	G32012723GG	30" DOOR ASSY W/LOGO *GG*	1	EA	NO LONGER AVAILABLE





Item	Part No.	Name	Qty	Uom	NOTES
Not Shown	G32012723GGBR	COMPLETE DOOR ASSY. - GGBR	1	EA	Not available online / Call for pricing and availability
Not Shown	G32012723LE	30" DOOR ASSY W/LOGO *LE*	1	EA	NO LONGER AVAILABLE, Not available online / Call for pricing and availability
Not Shown	G32012723LEBR	COMPLETE DOOR ASSY. - LEBR	1	EA	Not available online / Call for pricing and availability
Not Shown	G32012723MJ	30" DOOR ASSY W/LOGO *MJ*	1	EA	NO LONGER AVAILABLE
Not Shown	G32012723MJBR	COMPLETE DOOR ASSY. - MJBR	1	EA	Not available online / Call for pricing and availability
Not Shown	G32012723SG	30" DOOR ASSY W/LOGO *SG*	1	EA	
Not Shown	G32012723SGBR	COMPLETE DOOR ASSY. - SGBR	1	EA	Not available online / Call for pricing and availability
Not Shown	G32012723SS	30" DOOR ASSY W/LOGO	1	EA	
Not Shown	G32012723SSBR	COMPLETE DOOR ASSY. - SSBR	1	EA	Not available online / Call for pricing and availability
Not Shown	G32012723VB	30" DOOR ASSY W/LOGO *VB*	1	EA	NO LONGER AVAILABLE, Not available online / Call for pricing and availability
Not Shown	G32012723VBBR	COMPLETE DOOR ASSY. - VBBR	1	EA	Not available online / Call for pricing and availability
Not Shown	G32012723WH	30" DOOR ASSY W/LOGO *WH*	1	EA	NO LONGER AVAILABLE
Not Shown	G32012723WHBR	COMPLETE DOOR ASSY. - WHBR	1	EA	

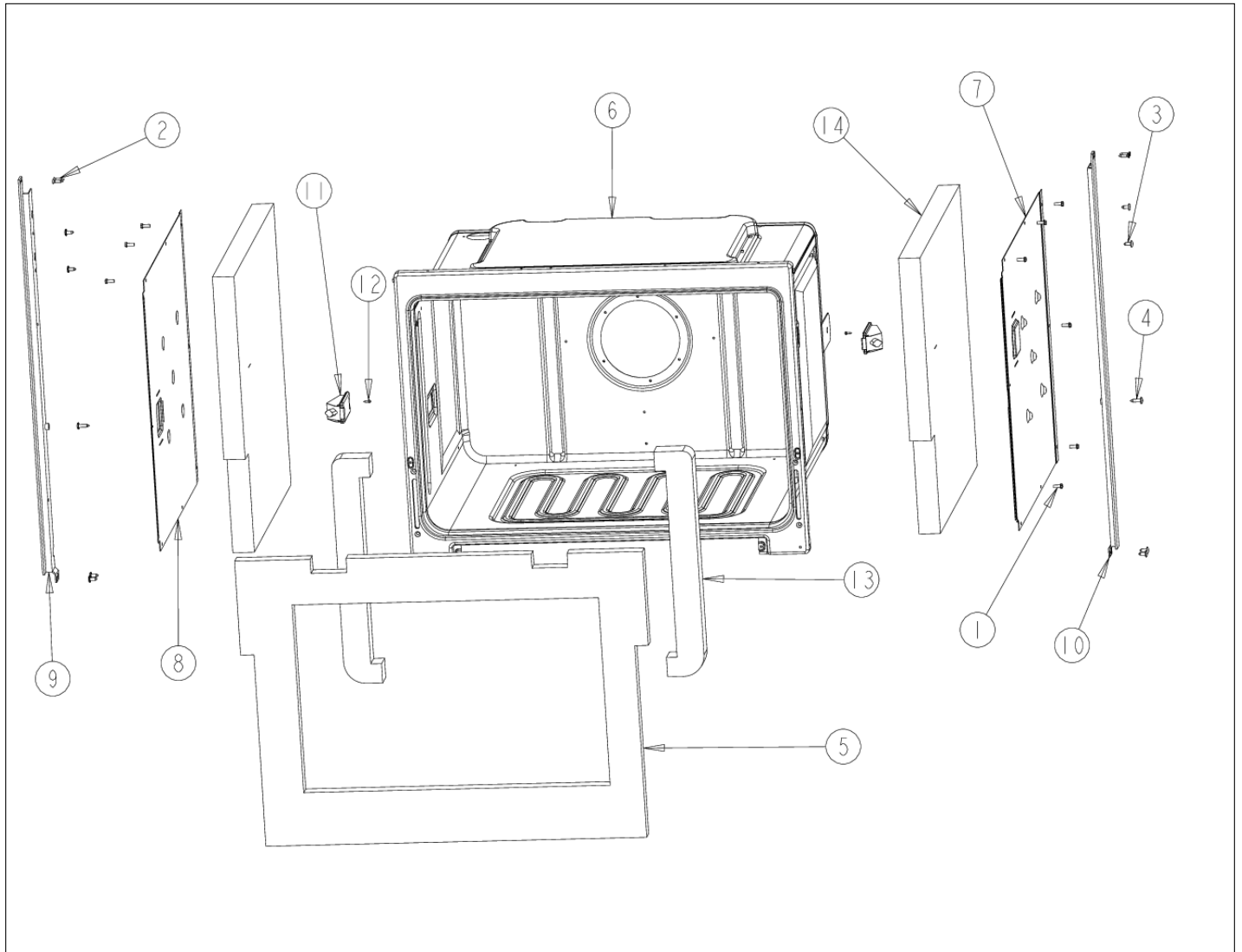
LOWER UNIT AREA





Item	Part No.	Name	Qty	Uom	NOTES
1	PD020060	10 X 1/2" (5/16)HEX WSHER HD.(T)A	1	EA	
2	PD020061	' #8 X 3/4 FLAT HD TEK. *SS*	1	EA	
3	PD020062	#8-32 X 3/8 PHMS TYPE 1	1	EA	
4	PB070303	30" BOTTOM INSULATION	1	EA	
5	PB070269	30" WINDOW PACK INSULATION	1	EA	
6	PD020063	SCREW-#8(A) X 3/8"PH WFR HD/BK OXID	1	EA	
7	PJ010048	BAKE ELEMENT	1	EA	
8	G3009694	BASE MODULE ASSY 30"	1	EA	
9	PB070309	BAKE ELEMENT INSULATION	1	EA	
10	C90012831BK	BOTTOM AIR DEFLECTOR 30"	1	EA	
11	PE040274	30" PROF. BOTTOM TRIM	1	EA	
12	A2009612	ELEMENT, MTG TRAY	1	EA	
13	B21010916	HINGE CLIP - LH	1	EA	
14	B21010915	HINGE CLIP - RH	1	EA	
15	A2009696	HOLDER, BAKE ELEMENT	1	EA	
16	PD020170	Screw, 6 X 1 Pan Hd	1	EA	
17	E9109655	COVER, BAKE TRAY	1	EA	
18	PC020221	HINGE POCKET RECEIVER MANSFIELD RH	1	EA	See TC-0121- SP Service Bulletin
19	PC020247	HINGE POCKET RECEIVER MANSFIELD LH	1	EA	See TC-0121- SP Bulletin

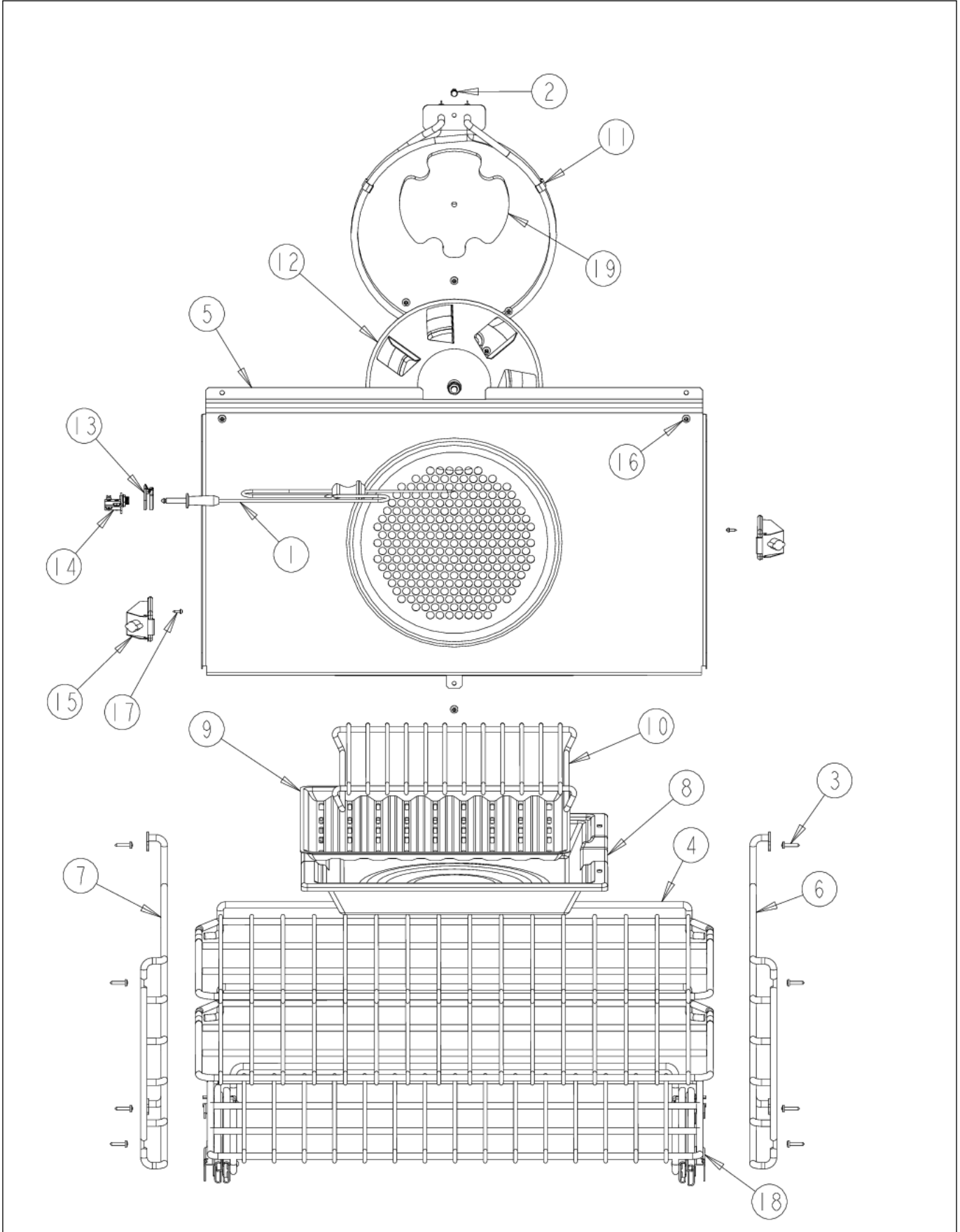
OVEN EXTERIOR AREA



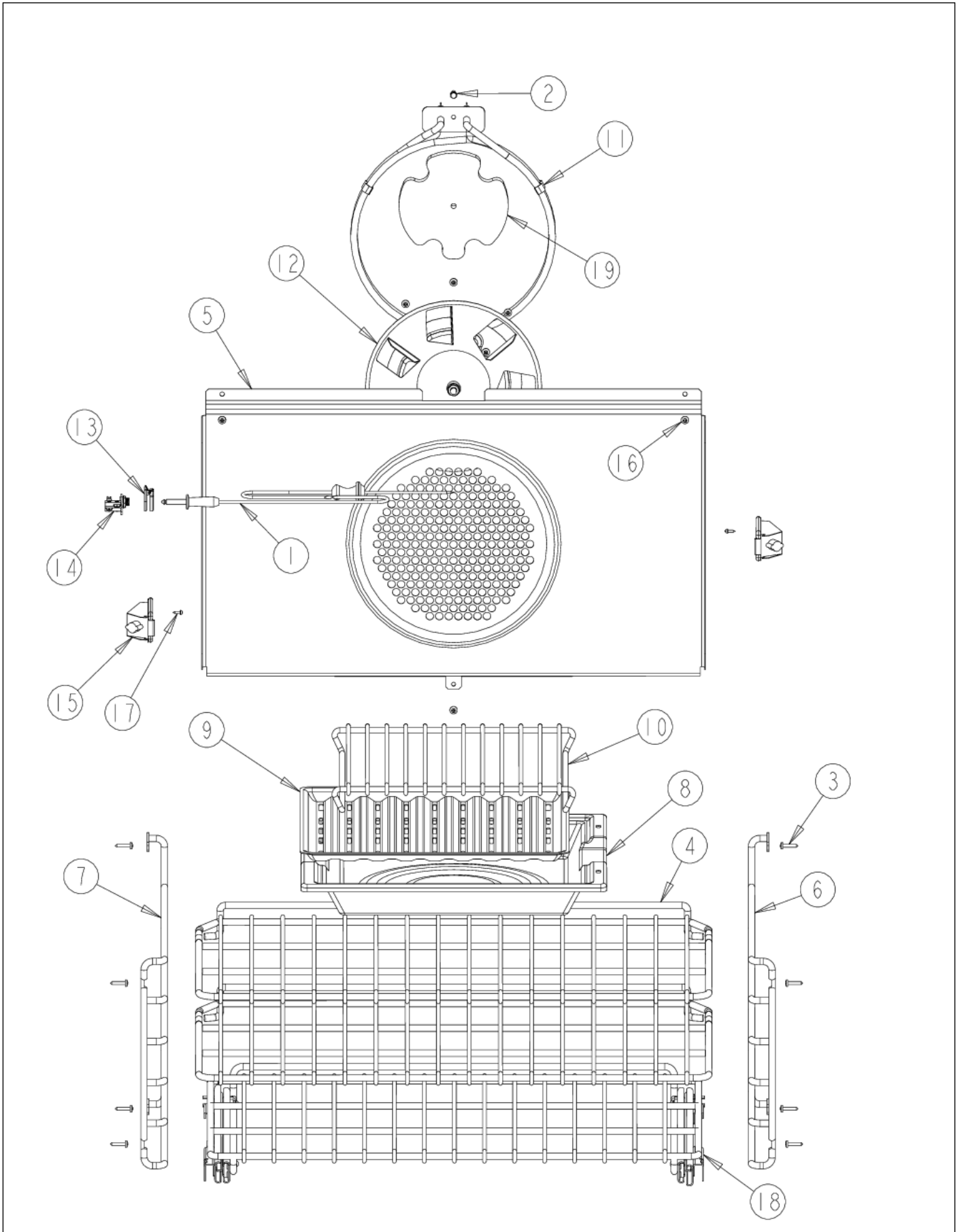


Item	Part No.	Name	Qty	Uom	NOTES
1	PD020060	10 X 1/2" (5/16)HEX WSHER HD.(T)A	1	EA	
2	PD020061	' #8 X 3/4 FLAT HD TEK. *SS*	1	EA	
3	PD020002	10 X 1/2 PH.TR.HD.SMS.	1	EA	
4	PD020014	10X3/4 PH TR HD SMS	1	EA	
5	PB070272	30" DOOR INSULATION	1	EA	
6	G91014039	30" PREMIERE CAVITY ASSY	1	EA	
Not Shown	NOTE	NOT FIELD REPLACEABLE		EA	
7	A2009622	BRKT, TOP WRAPPER, RIGHT	1	EA	Not available online / Call for pricing and availability
8	A20012650	BRKT, TOP WRAPPER LEFT	1	EA	Not available online / Call for pricing and availability
9	PE040282	DES. SINGLE SIDE TRIM LH	1	EA	NO LONGER AVAILABLE
10	PE040281	DES. SINGLE SIDE TRIM RH	1	EA	NO LONGER AVAILABLE
11	PE050056	OVEN LIGHT ASSY 12V/5W	1	EA	
12	PD020013	TYPE "AB" #6 X 3/8 PH PAN HD. SMS	1	EA	
13	PB070271	DOOR PLUG INSULATION	1	EA	
14	PB070302	SIDE INSULATION	1	EA	

OVEN INTERIOR AREA



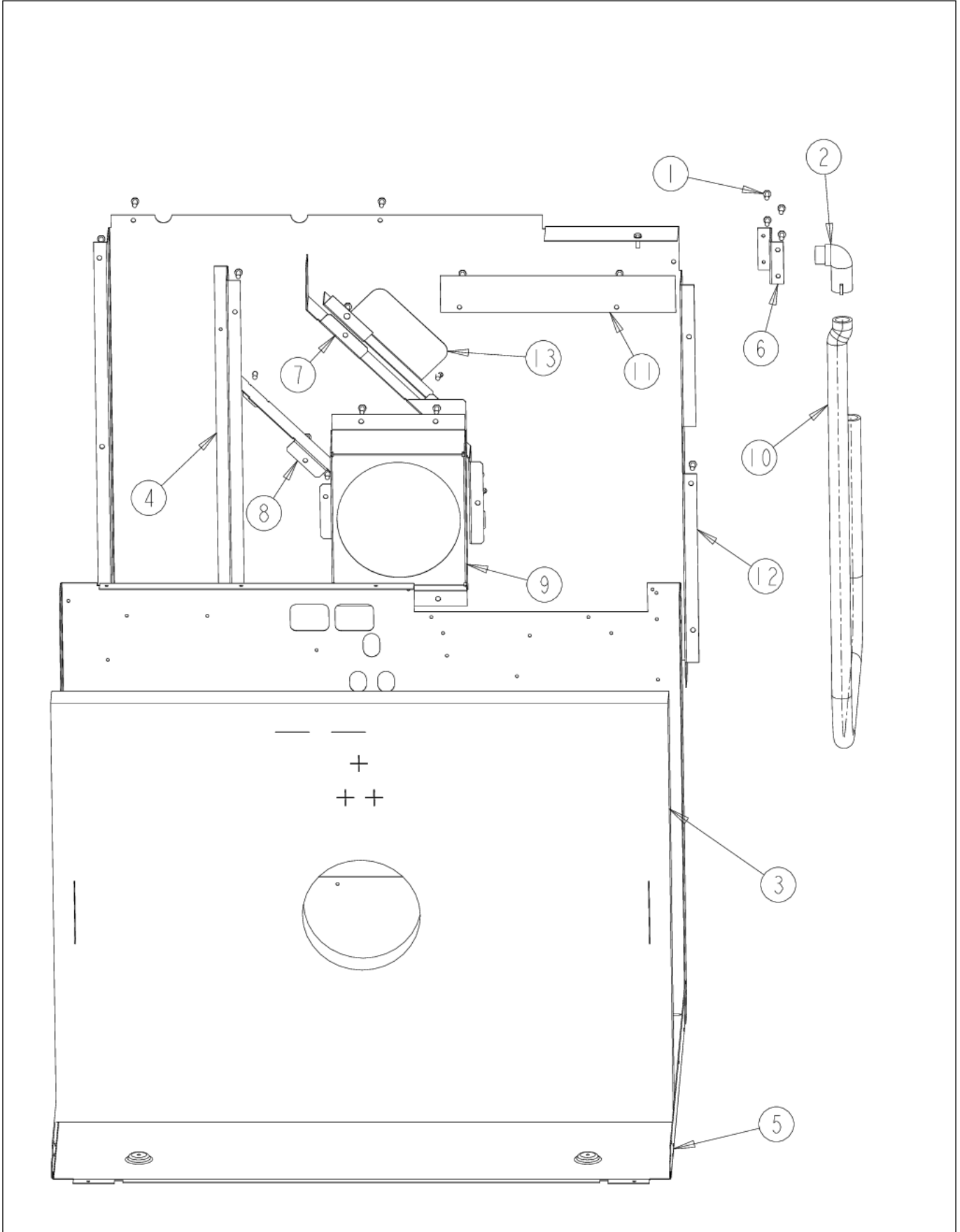
Item	Part No.	Name	Qty	Uom	NOTES
1	PE050114	MEAT PROBE (DESO/DEDO) (SWITCHCRAFT'S PART # 4C7919)	1	EA	
2	PD020060	10 X 1/2" (5/16)HEX WSHER HD.(T)A	1	EA	
3	PD020232	#8 X 3/4" PH PAN HEAD TEK SCREW (BLACK OXIDE)	1	EA	
4	PB060107	30" OVEN RACK	1	EA	
5	G91013598	30" BAFFLE ASSEMBLY	1	EA	
6	PB060103	RACK SUPPORT RH	1	EA	
7	PB060104	RACK SUPPORT LH	1	EA	
8	E9107933	BROILER PAN	1	EA	
9	E9107934	BROILER PAN INSERT - NLA	1	EA	
10	PB080020	BROILER PAN RACK	1	EA	
11	PJ010047	CONVECTION ELEMENT	1	EA	
12	G32014020	CONVECTION FAN ASSY	1	EA	
13	PM010160	MEAT PROBE JACK COVER (SWITCHCRAFT'S PART# 2C1098)	1	EA	
14	PE050115	MEAT PROBE JACK (SWITCHCRAFT'S PART# 3J1505)	1	EA	
Comments for Part Num. PE050115 bradleysapplianceservice@shaw.ca on May 8, 2017 Meat probe is not illustrated on Parts Break Down. PE050114 MEAT PROBE					
15	PE050056	OVEN LIGHT ASSY 12V/5W (BEFORE SERIAL # C-0396)	1	EA	
Not Shown	NOTE			EA	
PE050238	005311-000	LAMP, OVEN, 120V/25W	1	EA	
Not Shown	NOTE	(AFTER SERIAL # C-0396)		EA	
16	PD020055	' #10 X 1/2" PAN PHIL. TEK.*SS*	1	EA	
17	PD020013	TYPE "AB" #6 X 3/8 PH PAN HD. SMS	1	EA	
18	024102-000	PULLOUT RACK, 30"	1	EA	





Item	Part No.	Name	Qty	Uom	NOTES
19	PB070312	CONVECTION MOTOR MTG. PLATE INSULATION	1	EA	

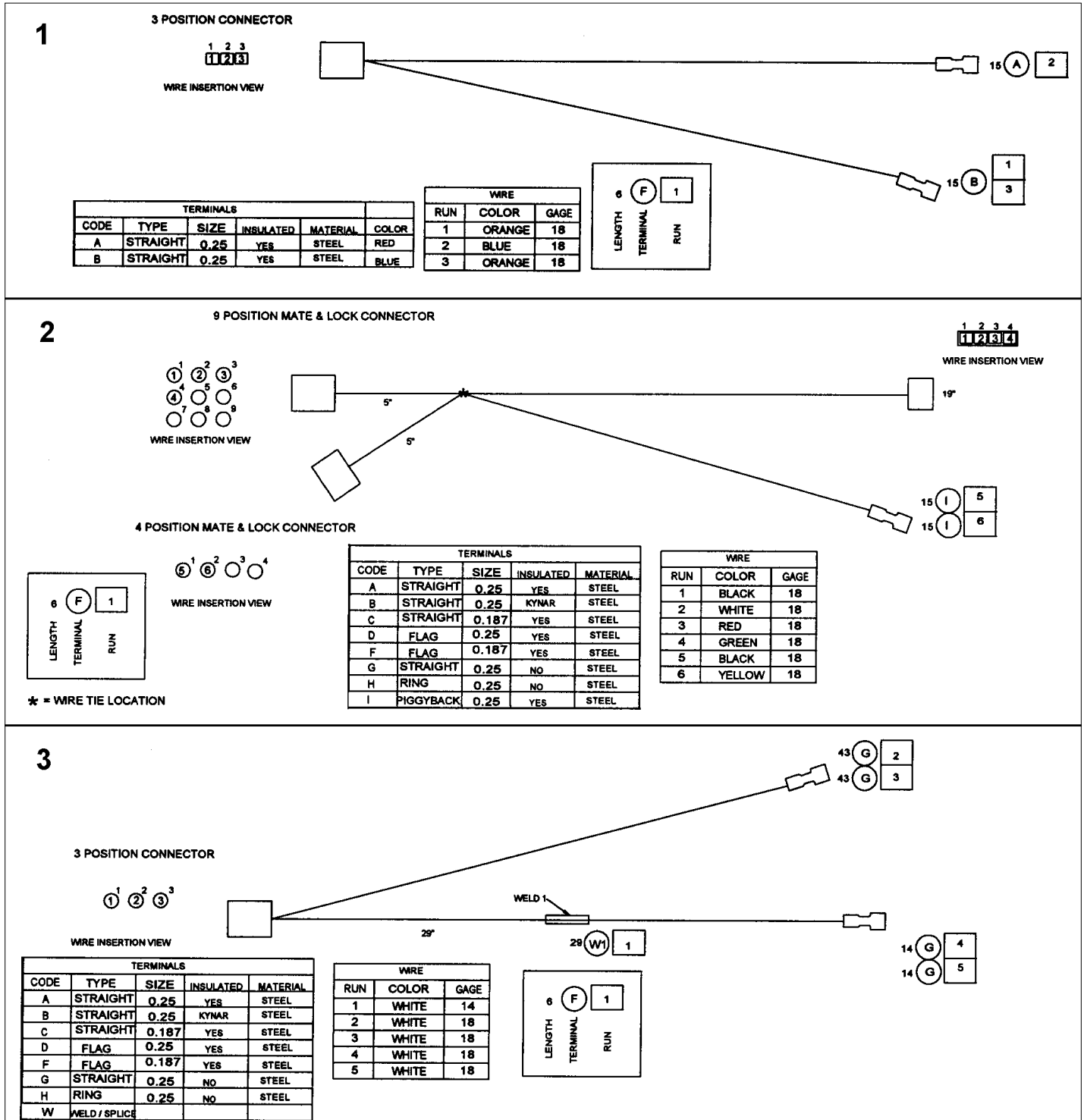
REAR UNIT AREA





Item	Part No.	Name	Qty	Uom	NOTES
1	PD020060	10 X 1/2" (5/16)HEX WSHER HD.(T)A	1	EA	
2	PB040070	CONDUIT FITTING (90 DEG)	1	EA	
3	PB070304	30" BACK INSULATION	1	EA	NO LONGER AVAILABLE, Not available online / Call for pricing and availability
4	A2009666	AIR CHANNEL	1	EA	
5	A2009620	BASE, BACK WRAPPER	1	EA	
6	A2009671	BRACKET, POWER CABLE	1	EA	
7	A21010918	BRACKET, AIR, CONVECTION MOTOR	1	EA	NO LONGER AVAILABLE, Not available online / Call for pricing and availability
8	A21010919	BRACKET, AIR, CONVECTION MOTOR	1	EA	NO LONGER AVAILABLE, Not available online / Call for pricing and availability
9	A2009697	BRACKET, CONVECTION INSULATION	1	EA	
10	PB020071	CONDUIT - FLEXIBLE (48")	1	EA	
11	A10010907	COVER, BLOWER	1	EA	
12	A2009640	PANEL, REAR 30"	1	EA	
13	A20014052	WIRE SHIELD	1	EA	

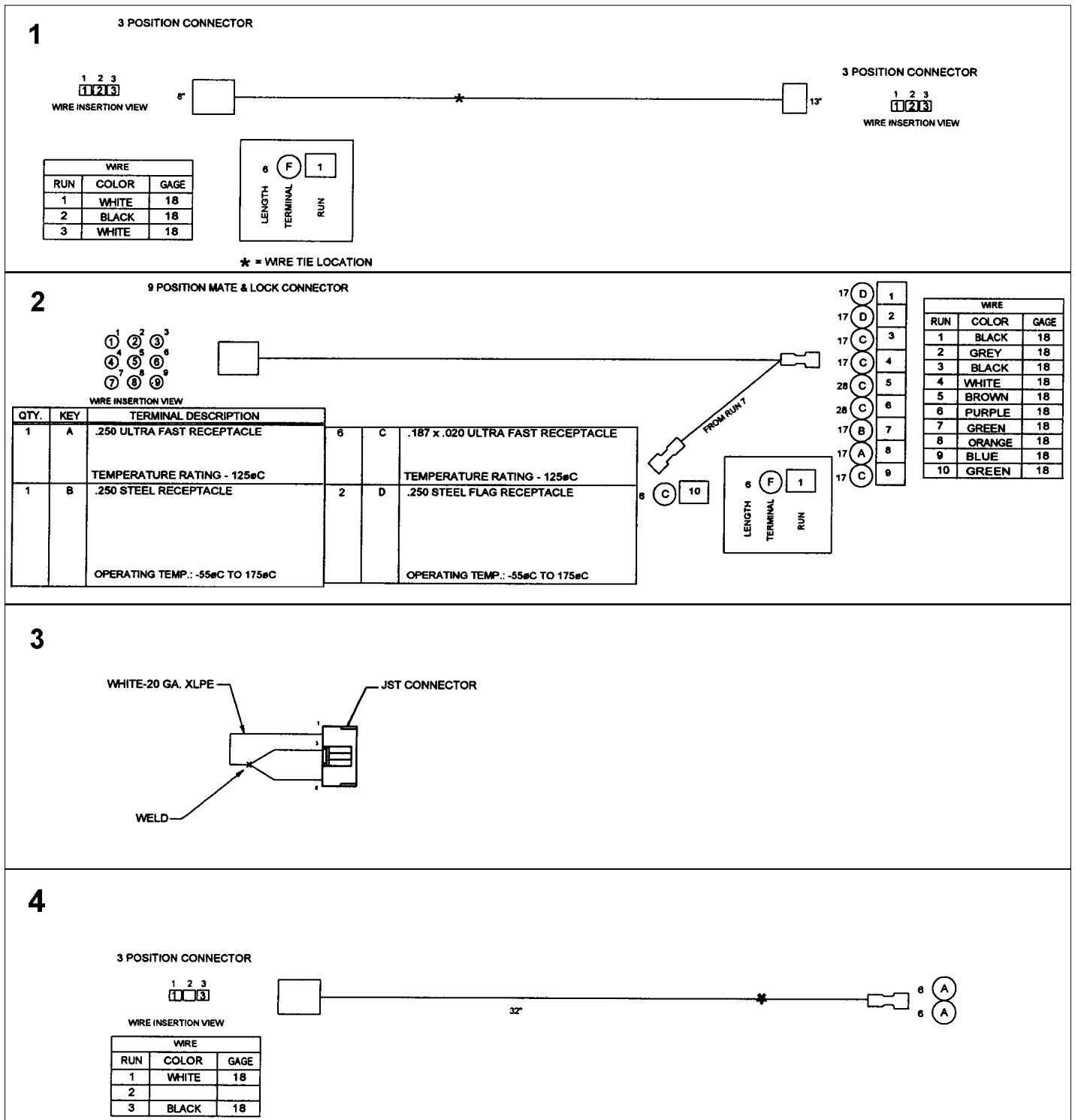
SIMPLE HARNESS 1





Item	Part No.	Name	Qty	Uom	NOTES
1	PE070743	SINGLE CLOCK HARNESS	1	EA	
2	PE070754	TEST HARNESS SINGLE	1	EA	Not available online / Call for pricing and availability
3	PE070739	BAKE ELEMENT HARNESS	1	EA	
NI	G4005496	SUPPLY WIRE - 100" BK 10GA SO/DO	1	EA	
NI	G4005497	SUPPLY WIRE - 100" GREEN 10GA SO/DO	1	EA	
NI	G4005499	SUPPLY WIRE - 100" RED 10GA SO/DO	1	EA	
NI	G4005494	SUPPLY WIRE - 75" WH 12 GA SO/DO - NLA	1	EA	

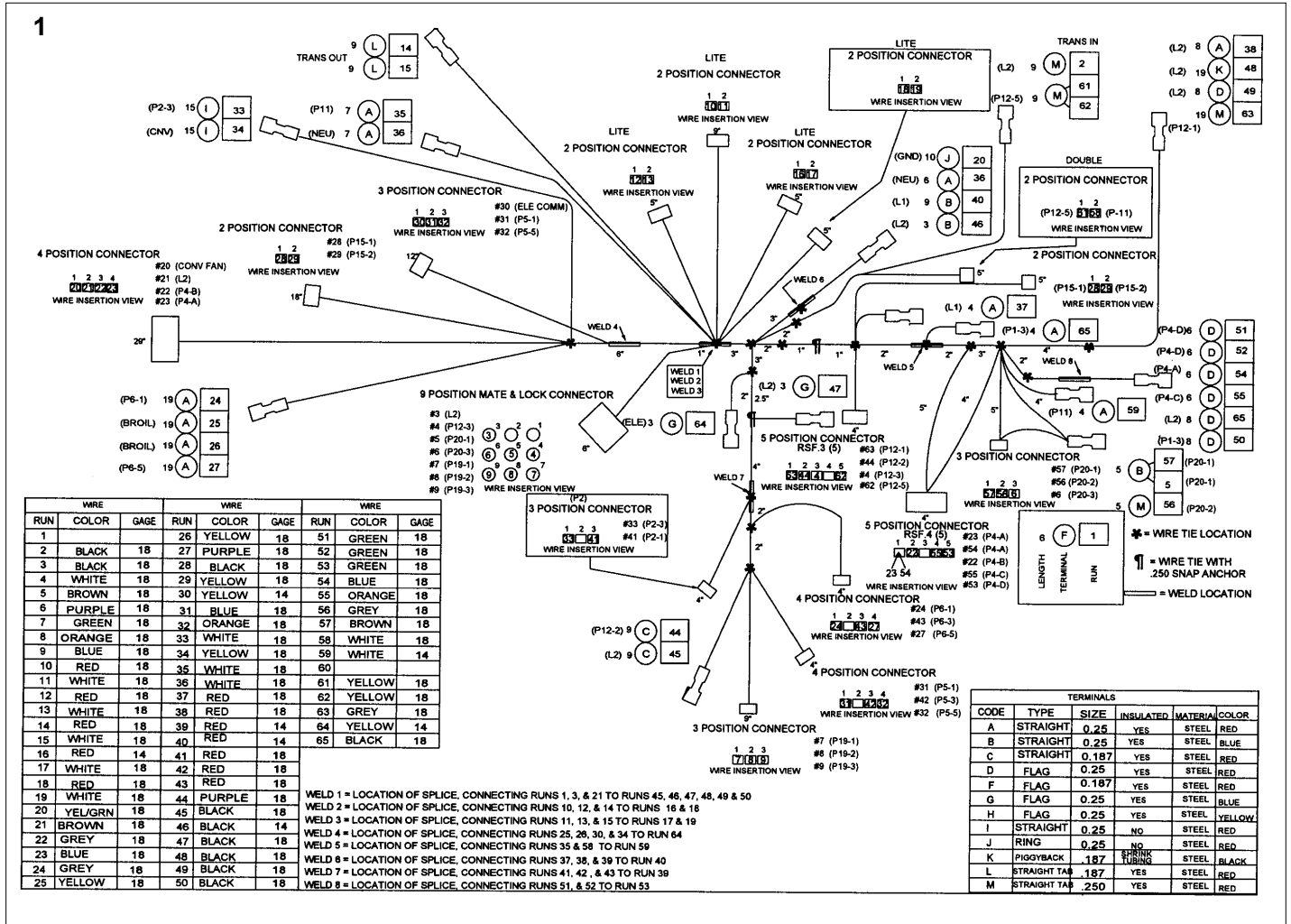
SIMPLE HARNESSES 2





Item	Part No.	Name	Qty	Uom	NOTES
1	PE070738	T/STAT-SEL HARNESS	1	EA	
2	PE070733	UPPER LATCH HARNESS	1	EA	
3	PE070734	SINGLE OVEN HEADER	1	EA	
4	PE070735	MEAT PROBE HARNESS	1	EA	

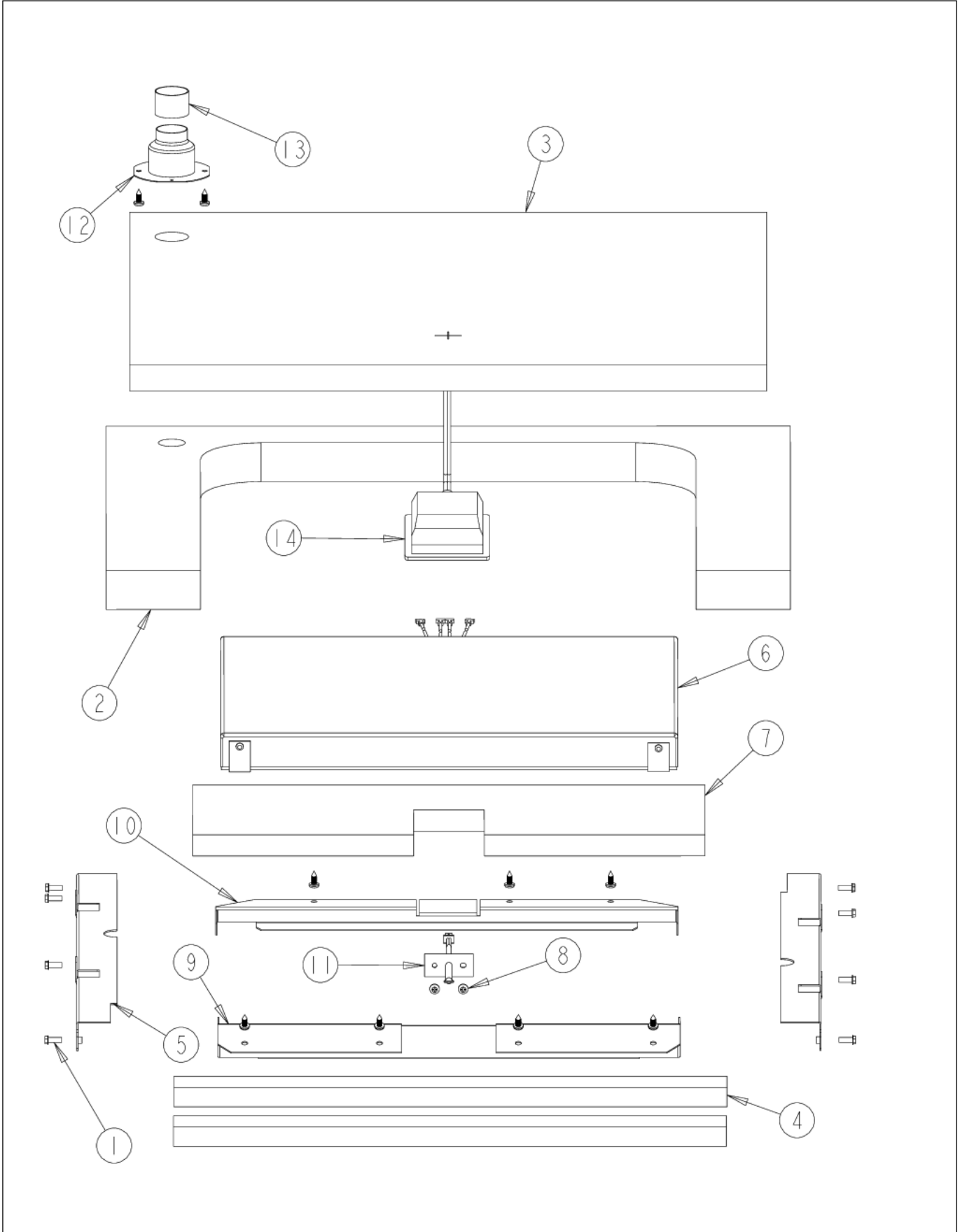
UPPER CONTROL HARNESS





Item	Part No.	Name	Qty	Uom	NOTES
1	PE070742	UPPER CONTROL HARNESS	1	EA	

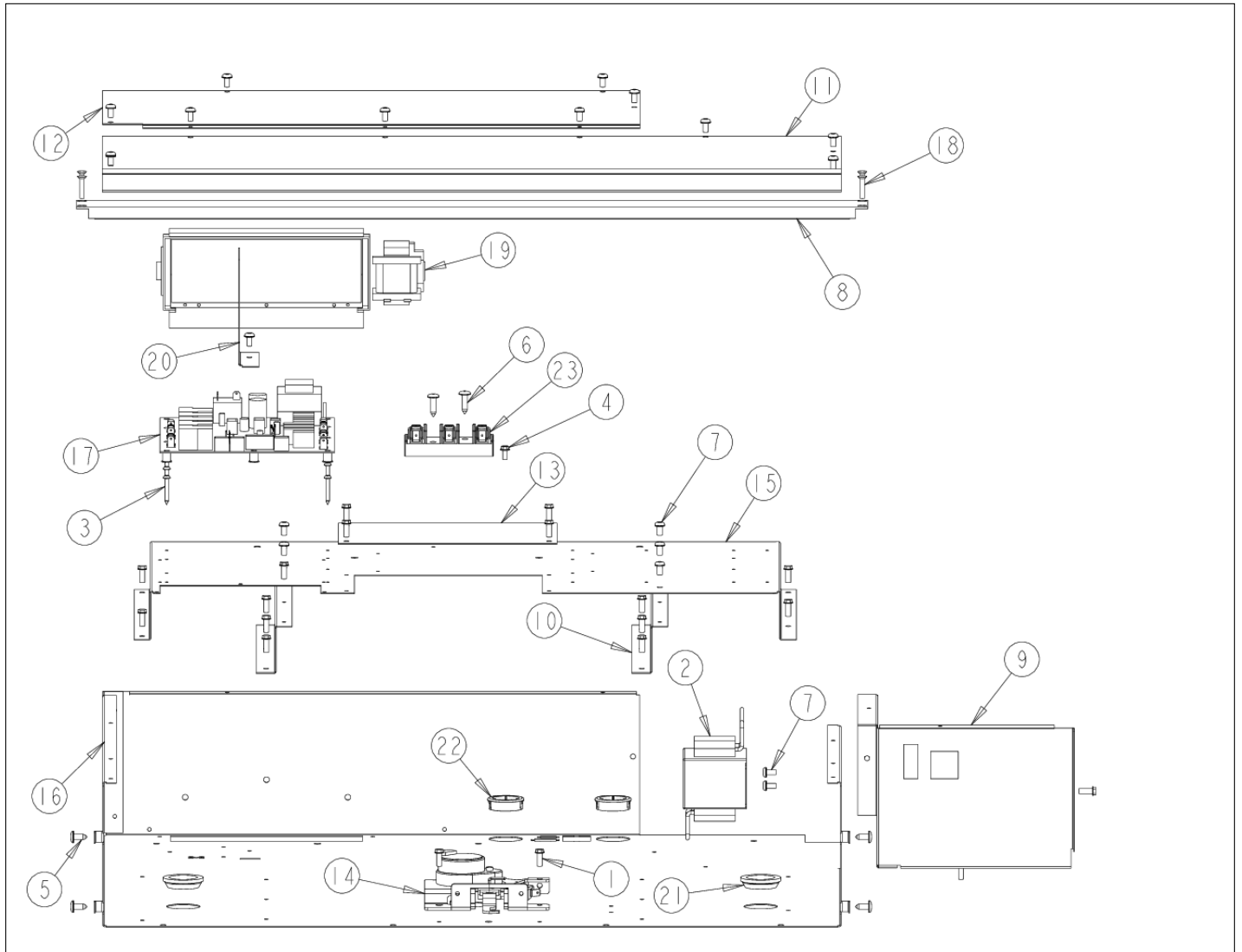
UPPER OVEN CAVITY



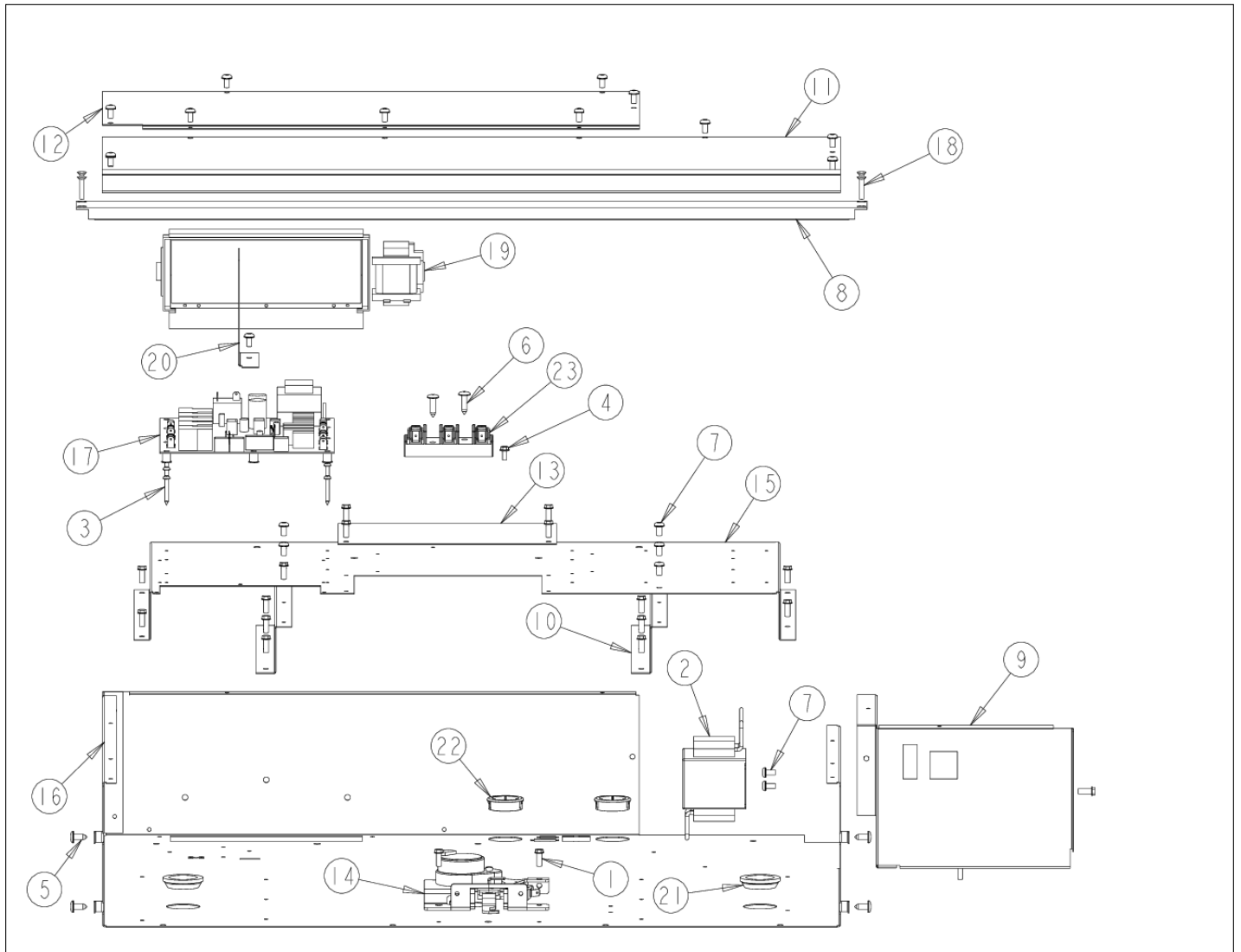


Item	Part No.	Name	Qty	Uom	NOTES
1	PD020060	10 X 1/2" (5/16)HEX WSHER HD.(T)A	1	EA	
2	PB070305	Top Broil Insulation	1	EA	Not available online / Call for pricing and availability
3	PB070308	Top Insulation	1	EA	
4	PB070269	30" WINDOW PACK INSULATION	1	EA	
5	A2009641	BRKT, TOP WRAPPER	1	EA	
6	024040-000	ELEMENT, RIBBON	1	EA	
<p>Comments for Part Num. 024040-000</p> <p>jhobbs@kimballinc.com on Jan 4, 2019</p> <p>Please Correct the part number on this (057872-000)</p>					
7	PB070337	Liner Insulation	1	EA	
8	PD020055	' #10 X 1/2" PAN PHIL. TEK.*SS*	1	EA	
9	024234-000	BRACKET, BROILER, FRONT	1	EA	
10	024221-000	BRACKET, BROILER, REAR	1	EA	
11	PE050206	RTD THERMOSTAT PROBE	1	EA	
12	PM010014	SMOKE ELIMINATOR (VDSC)	1	EA	
13	PB020275	VENT TUBE	1	EA	
14	PE050205	Top Halogen Light	1	EA	
Not Shown	NOTE	(BEFORE C-0396)		EA	
PE05023 9	020403-000	LAMP, OVEN, 120V/40W	1	EA	
Not Shown	NOTE	(AFTER C-0396)		EA	

UPPER UNIT AREA AFTER 07-20-06

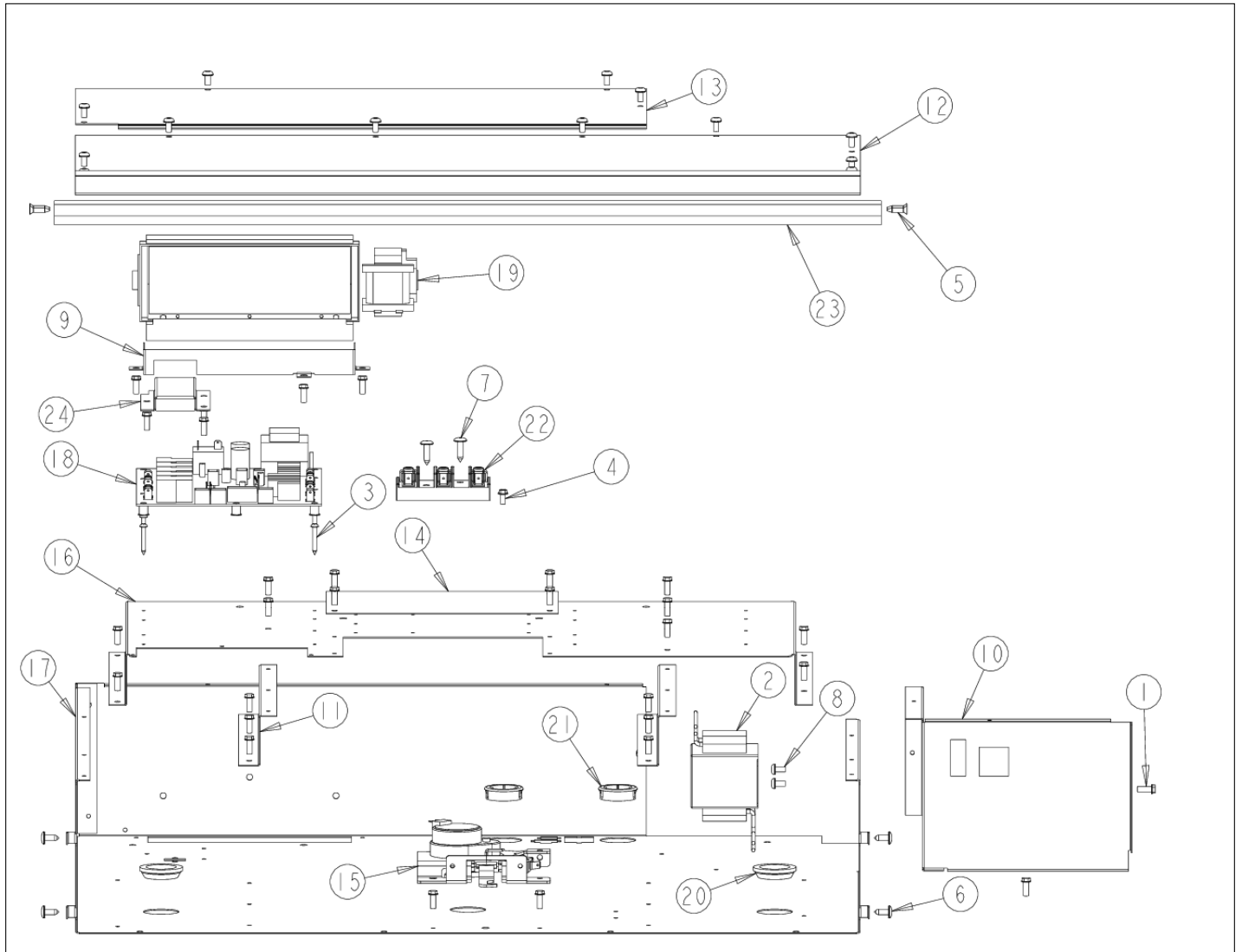


Item	Part No.	Name	Qty	Uom	NOTES
1	PD020060	10 X 1/2" (5/16)HEX WSHER HD.(T)A	1	EA	
2	PE070634	HALOGEN LIGHT TRANSFORMER	1	EA	NO LONGER AVAILABLE
Not Shown	NOTE	(Used only on units before serial # C-0396)		EA	
3	PD020185	Screw, 6 X 1" Pan Head	1	EA	
4	PD020010	10 X 3/8 GREEN GROUNDING SCREW	1	EA	
5	PD020002	10 X 1/2 PH.TR.HD.SMS.	1	EA	
6	PD010014	MACH. SCREW - #10-24 X 1-3/4" *SS*	1	EA	NO LONGER AVAILABLE, Not available online / Call for pricing and availability
7	PD020004	10X3/8PH.HD.TYPE 25 REPL PD040125	1	EA	
8	PE040273	30" PROF. TOP TRIM	1	EA	
9	A20010934	BRACKET, MODULE PAN	1	EA	
10	A20010910	Support Bracket, Electronics Hat	1	EA	Not available online / Call for pricing and availability
11	A20014048	Front Cover	1	EA	NO LONGER AVAILABLE, Not available online / Call for pricing and availability
12	A20014049	30" REAR COVER	1	EA	
13	A10010911	Latch Cover	1	EA	
14	013250-000	LATCH,DOOR,ASM,240V,GRID DLE LOCKOUT	1	EA	
15	A2009672	Electronics Hat	1	EA	NO LONGER AVAILABLE, Not available online / Call for pricing and availability
16	A2009643	Top Module Pan	1	EA	
17	002406-000	CONTROL BOARD	1	EA	



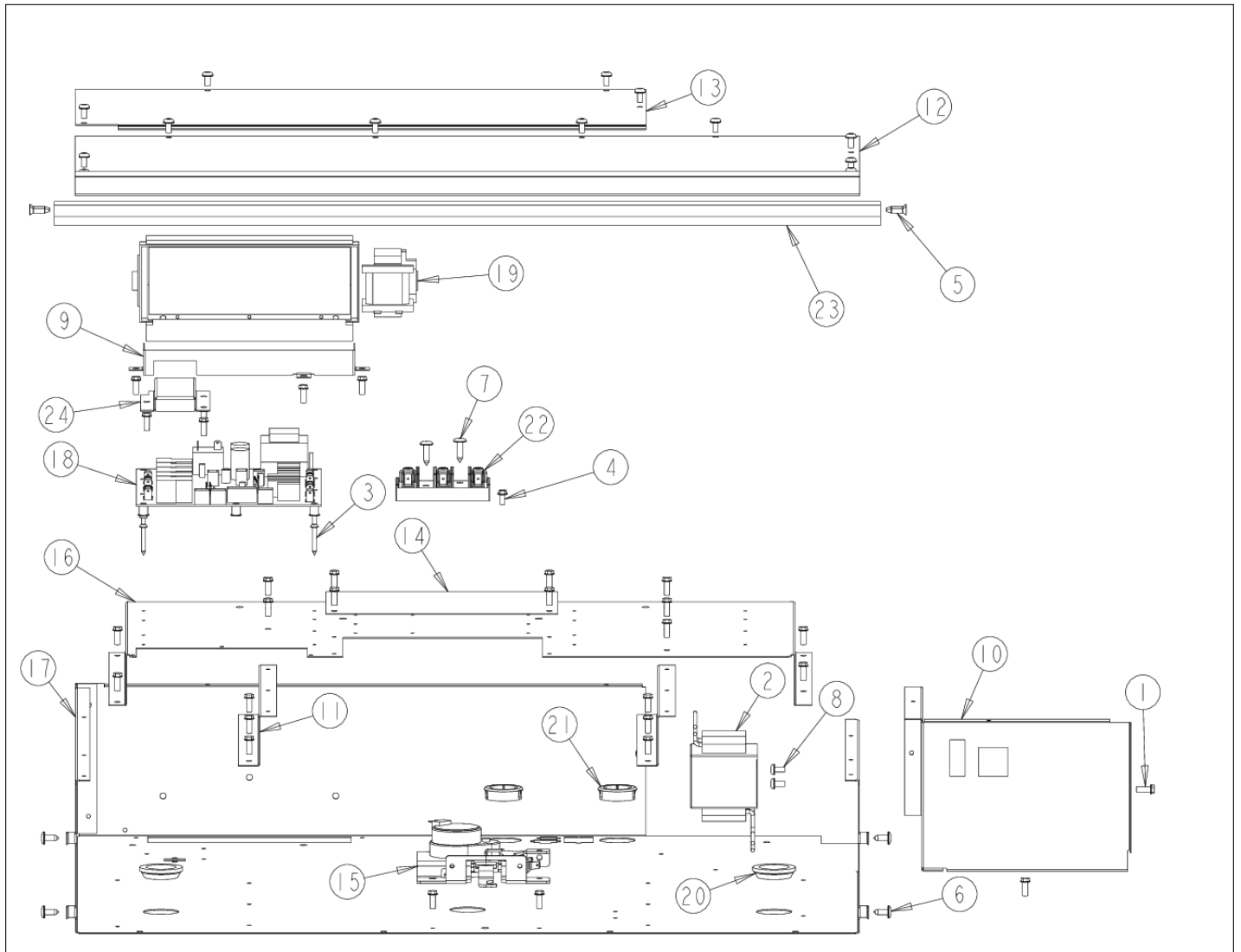
Item	Part No.	Name	Qty	Uom	NOTES
Comments for Part Num. 002406-000 haarnink@vikingrange.com on Jun 18, 2015 For the international E Model numbers EVDSC5 we need to add the info that since First unit was EVDSC530S4B: 092314C10147281 any EVDSC built in 2014 went into production with EOC4. so here we need to add the part number 014000-000 EOC4 plus the SMPS part number 013999-000					
18	PD020170	Screw, 6 X 1 Pan Hd	1	EA	
19	PE050250	Blower	1	EA	
Comments for Part Num. PE050250 highendappsvc@gmail.com on Jan 28, 2019 If you need to replace cooling fan for the model vgsc5486gss serial date code 031412, do not order this fan, this fan is larger and configured wrong. The correct fan is 007794-000. it is smaller.					
Not Shown	NOTE	(BEFORE 02/04/13)		EA	
19	018607-000	FAN, BLO, 220-240V 50/60Hz ASM (MT1664)	1	EA	
Not Shown	NOTE	(ON OR AFTER 02/04/13)		EA	
20	A2009667	REAR AIR DIVIDER	1	EA	
21	PB070079	SILICONE EXTRUSION (DGSU)	1	EA	
22	PD040152	SNAP BUSHING	1	EA	
23	PE070147	TERMINAL BLOCK (VDSC)	1	EA	

UPPER UNIT AREA BEFORE 07-20-06





Item	Part No.	Name	Qty	Uom	NOTES
1	PD020060	10 X 1/2" (5/16)HEX WSHER HD.(T)A	1	EA	
2	PE070634	HALOGEN LIGHT TRANSFORMER	1	EA	NO LONGER AVAILABLE
3	PD020185	Screw, 6 X 1" Pan Head	1	EA	
4	PD020010	10 X 3/8 GREEN GROUNDING SCREW	1	EA	
5	PD020061	' #8 X 3/4 FLAT HD TEK. *SS*	1	EA	
6	PD020002	10 X 1/2 PH.TR.HD.SMS.	1	EA	
7	PD020014	10X3/4 PH TR HD SMS	1	EA	
8	PD020004	10X3/8PH.HD.TYPE 25 REPL PD040125	1	EA	
9	A20014034	30" BLOWER BRACKET	1	EA	NO LONGER AVAILABLE
10	A20010934	BRACKET, MODULE PAN	1	EA	
11	A20010910	Support Bracket, Electronics Hat	1	EA	Not available online / Call for pricing and availability
12	A20014048	Front Cover	1	EA	NO LONGER AVAILABLE, Not available online / Call for pricing and availability
13	A20014049	30" REAR COVER	1	EA	
14	A10010911	Latch Cover	1	EA	
15	013250-000	LATCH,DOOR,ASM,240V,GRID DLE LOCKOUT	1	EA	
16	A2009672	Electronics Hat	1	EA	NO LONGER AVAILABLE, Not available online / Call for pricing and availability
17	A2009643	Top Module Pan	1	EA	
18	002406-000	CONTROL BOARD	1	EA	
<p>Comments for Part Num. 002406-000</p> <p>haarnink@vikingrange.com on Jun 18, 2015</p> <p>For the international E Model numbers EVDSC5 we need to add the info that sins First unit was EVDSC530S4B: 092314C10147281 any EVDSC built in 2014 went into production with EOC4. so here we need to add the part number 014000-000 EOC4 plus the SMPS part number 013999-000</p>					
19	PE050250	Blower	1	EA	





Item	Part No.	Name	Qty	Uom	NOTES
Comments for Part Num. PE050250					
highendappsvc@gmail.com on Jan 28, 2019					
If you need to replace cooling fan for the model vgsc5486gss serial date code 031412, do not order this fan, this fan is larger and configured wrong. The correct fan is 007794-000. it is smaller.					
20	PB070079	SILICONE EXTRUSION (DGSU)	1	EA	
21	PD040152	SNAP BUSHING	1	EA	
22	PE070147	TERMINAL BLOCK (VDSC)	1	EA	
23	PE040273	30" PROF. TOP TRIM	1	EA	
24	A20014033	UPPER VENT COVER	1	EA	NO LONGER AVAILABLE, Not available online / Call for pricing and availability



Appendix A:Pages Index

CONTROL AREA 1
DOOR ASSEMBLY 2
LOWER UNIT AREA 3
OVEN EXTERIOR AREA 4
OVEN INTERIOR AREA 5
REAR UNIT AREA 6
SIMPLE HARNESS 1 7
SIMPLE HARNESSES 2 8
UPPER CONTROL HARNESS 9
UPPER OVEN CAVITY 10
UPPER UNIT AREA AFTER 07-20-06 11
UPPER UNIT AREA BEFORE 07-20-06 12



Appendix B:Parts Index

000268-000	2	A2009667	11
000594-000	2	A2009671	6
001499-000	2	A2009672	11, 12
001500-000	2	A2009696	3
002406-000	11, 12	A2009697	6
005311-000	5	A21010918	6
006070-000	2	A21010919	6
013250-000	11, 12	B21010915	3
018607-000	11	B21010916	3
020403-000	10	B92014069	1
024040-000	10	C90012831BK	3
024102-000	5	C90014072BK	1
024221-000	10	C92014069BK	1
024234-000	10	C92014069WH	1
036047-000	1	E9107933	5
050172-000	1	E9107934	5
A10010907	6	E9109655	3
A10010911	11, 12	G3009694	3
A10014028	1	G32012723AL	2
A20010910	11, 12	G32012723ALBR	2
A20010934	11, 12	G32012723BK	2
A20012640	2	G32012723BKBR	2
A20012641	2	G32012723BT	2
A20012649	1	G32012723BTBR	2
A20012650	4	G32012723BU	2
A20014033	12	G32012723BUBR	2
A20014034	12	G32012723CB	2
A20014048	11, 12	G32012723CBBR	2
A20014049	11, 12	G32012723EP	2
A20014052	6	G32012723EPBR	2
A20014062	1	G32012723FG	2
A20014063	1	G32012723FGBR	2
A2009612	3	G32012723GG	2
A2009620	6	G32012723GGBR	2
A2009622	4	G32012723LE	2
A2009632	2	G32012723LEBR	2
A2009640	6	G32012723MJ	2
A2009641	10	G32012723MJBR	2
A2009643	11, 12	G32012723SG	2
A2009666	6	G32012723SGBR	2
		G32012723SS	2



G32012723SSBR	2	PB070309	3
G32012723VB	2	PB070312	5
G32012723VBBR	2	PB070336	2
G32012723WH	2	PB070337	10
G32012723WHBR	2	PB080020	5
G32014020	5	PC020221	3
G40015469	1	PC020247	3
G4005494	7	PD010014	11
G4005496	7	PD020002	2, 4, 11, 12
G4005497	7	PD020004	1, 2, 11, 12
G4005499	7	PD020010	11, 12
G50015481	1	PD020013	1, 4, 5
G91013598	5	PD020014	4, 12
G91014039	4	PD020032	2
G9109625	2	PD020055	5, 10
PB010304PVD	1	PD020060	1, 3, 4, 5, 6, 10, 11, 12
PB010305	1	PD020061	3, 4, 12
PB010306	1	PD020062	3
PB010307	1	PD020063	2, 3
PB010308	1	PD020170	3, 11
PB010309	1	PD020185	11, 12
PB010310	1	PD020186	2
PB010311	1	PD020232	5
PB010312	1	PD020261	1
PB020071	6	PD030006	2
PB020272	2	PD030172	1
PB020275	10	PD040004	1
PB040070	6	PD040152	11, 12
PB060103	5	PD040164	1
PB060104	5	PE010016	2
PB060107	5	PE010017	2
PB070079	11, 12	PE010079	2
PB070246	2	PE010080	2
PB070269	2, 3, 10	PE030001PVD	2
PB070271	2, 4	PE030179	2
PB070272	4	PE030179PVD	2
PB070302	4	PE040273	11, 12
PB070303	3	PE040274	3
PB070304	6	PE040281	4
PB070305	10	PE040282	4
PB070308	10	PE050023	1



PE050056	4, 5	PS500015GG	2
PE050072	1	PS500015GGBR	2
PE050114	5	PS500015LE	2
PE050115	5	PS500015LEBR	2
PE050205	10	PS500015MJ	2
PE050206	10	PS500015MJBR	2
PE050208	1	PS500015SG	2
PE050214	1	PS500015SGBR	2
PE050250	11, 12	PS500015SS	2
PE060094	2	PS500015SSBR	2
PE070147	11, 12	PS500015VB	2
PE070634	11, 12	PS500015VBBR	2
PE070733	8	PS500015WH	2
PE070734	8	PS500015WHBR	2
PE070735	8	PS500019AL	2
PE070738	8	PS500019ALBR	2
PE070739	7	PS500019BK	2
PE070742	9	PS500019BKBR	2
PE070743	7	PS500019BT	2
PE070754	7	PS500019BTBR	2
PJ010047	5	PS500019BU	2
PJ010048	3	PS500019BUBR	2
PJ030033	1	PS500019CB	2
PJ030035	1	PS500019CBBR	2
PJ030043	1	PS500019EP	2
PM010014	10	PS500019EPBR	2
PM010160	5	PS500019FG	2
PS500015AL	2	PS500019FGBR	2
PS500015ALBR	2	PS500019GG	2
PS500015BK	2	PS500019GGBR	2
PS500015BKBR	2	PS500019LE	2
PS500015BT	2	PS500019LEBR	2
PS500015BTBR	2	PS500019MJ	2
PS500015BU	2	PS500019MJBR	2
PS500015BUBR	2	PS500019SG	2
PS500015CB	2	PS500019SGBR	2
PS500015CBBR	2	PS500019SS	2
PS500015EP	2	PS500019SSBR	2
PS500015EPBR	2	PS500019VB	2
PS500015FG	2	PS500019VBBR	2
PS500015FGBR	2	PS500019WH	2



PS500019WHBR 2