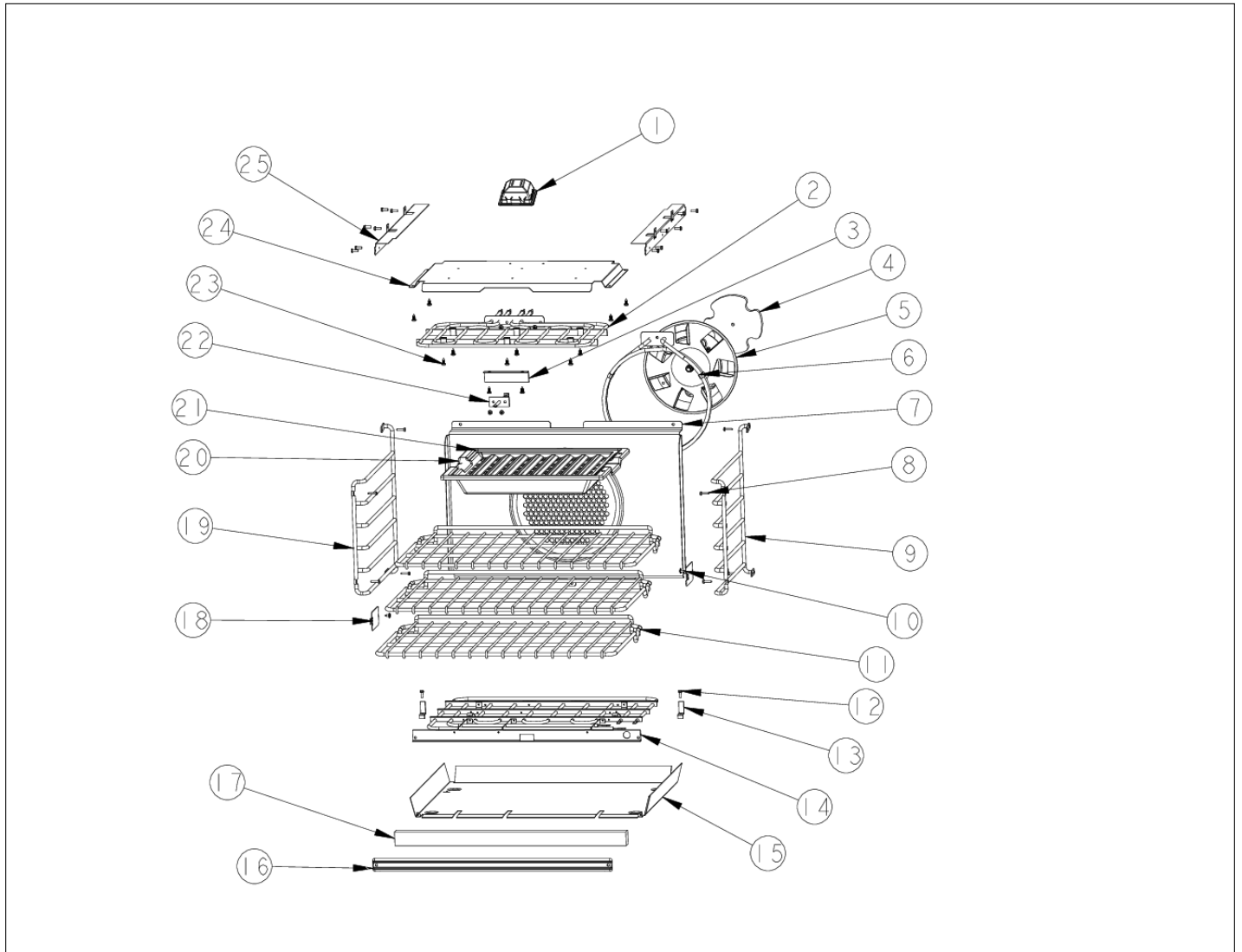


**VESO527T**

CAVITY INT .....	1
CONTROL AREA .....	2
DOOR ASSY .....	3
OVEN ELEC .....	4
OVEN EXTERIOR .....	5
SIMPLE HARNESSSES 1 .....	6
SIMPLE HARNESSSES 2 .....	7
TOUCH CONTROL DISPLAY HARNESS .....	8
TOUCH CONTROL KEYBOARD HARNESS .....	9
UNIT REAR .....	10
UPPER CONTROL HARNESS .....	11
Appendix A:Pages Index .....	A
Appendix B:Parts Index .....	B

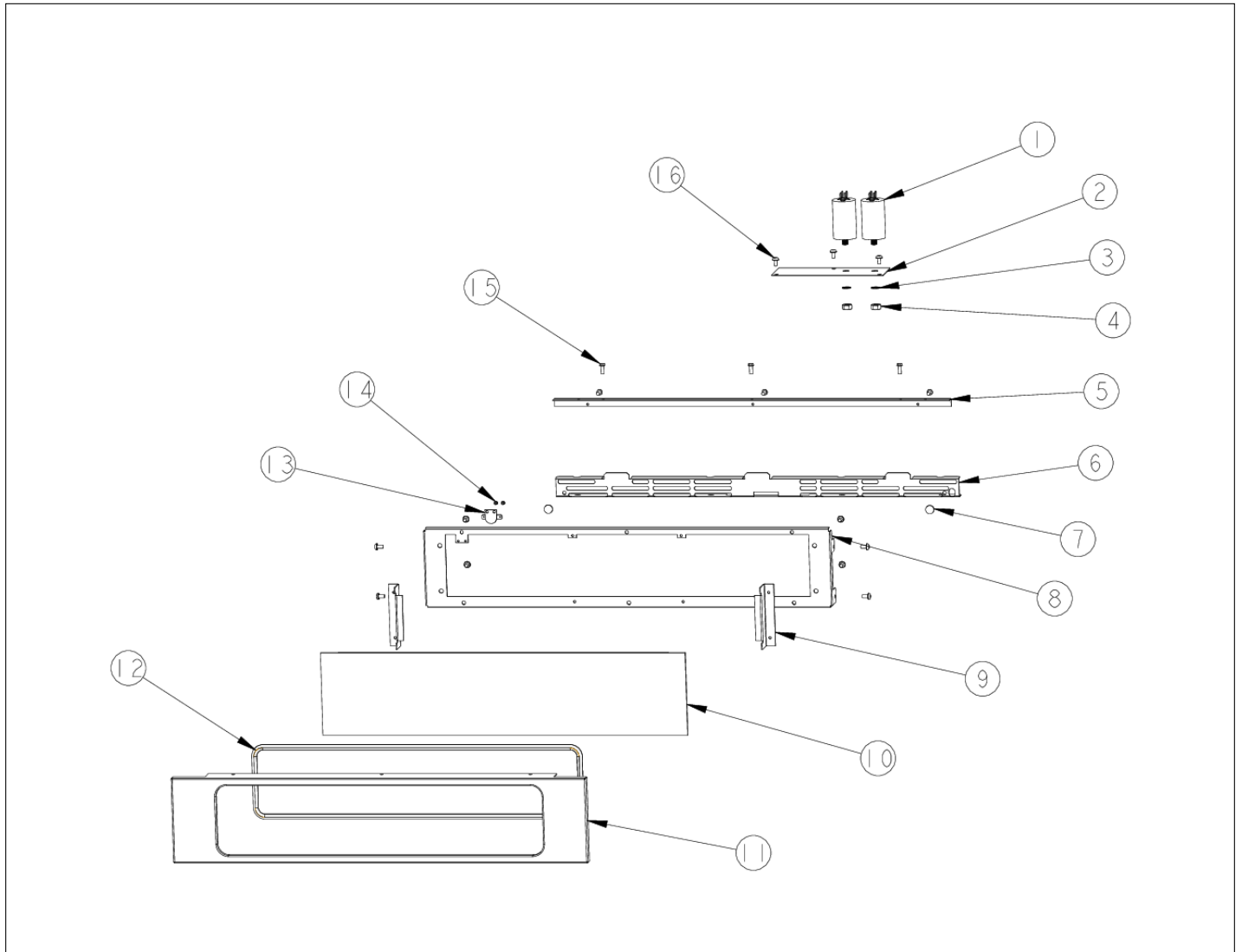






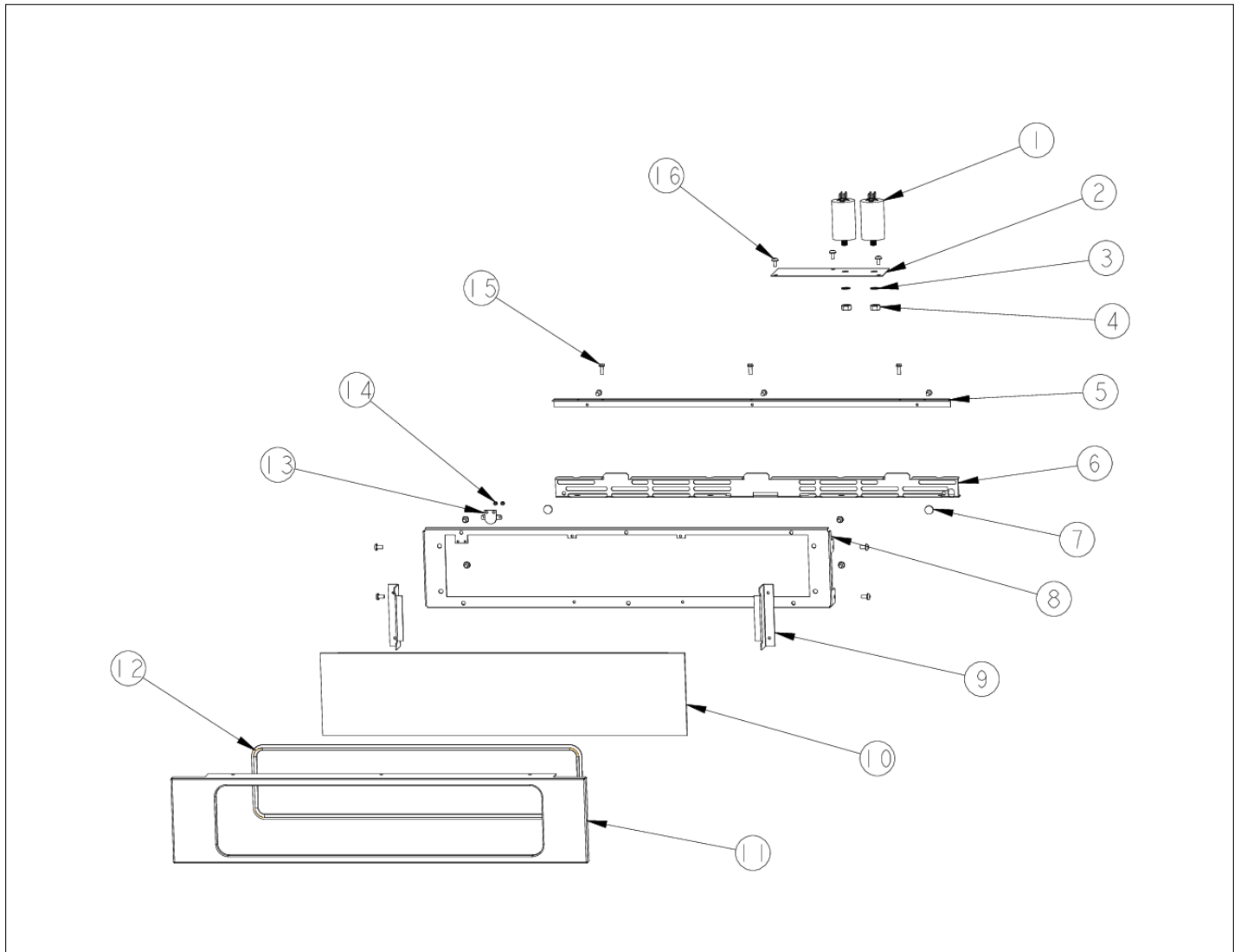
Item	Part No.	Name	Qty	Uom	NOTES
1	020403-000	LAMP, OVEN, 120V/40W	1	EA	
2	024040-000	ELEMENT, RIBBON	1	EA	
Comments for Part Num. 024040-000					
jhobbs@kimballinc.com on Jan 4, 2019					
Please Correct the part number on this ( 057872-000)					
3	A20014044	BROIL ELEMENT SHIELD	1	EA	
4	PB070312	CONVECTION MOTOR MTG. PLATE INSULATION	1	EA	
5	G32014020	CONVECTION FAN ASSY	1	EA	
6	PJ010047	CONVECTION ELEMENT	1	EA	
7	G91013597	27" BAFFLE ASSEMBLY	1	EA	
8	PD020232	#8 X 3/4" PH PAN HEAD TEK SCREW (BLACK OXIDE)	8	EA	
9	PB060103	RACK SUPPORT RH	1	EA	
10	PD020063	SCREW-#8(A) X 3/8"PH WFR HD/BK OXID	2	EA	
11	041045-000	RACK, DF, PRO, 27"	2	EA	
NI	024737-000	27" SLIDING OVEN RACK	1	EA	
12	PD020060	10 X 1/2" (5/16)HEX WSHR HD.(T)A	14	EA	
13	A2009696	HOLDER, BAKE ELEMENT	2	EA	
14	PJ010048	BAKE ELEMENT	1	EA	
15	A20010932	ELEMENT, MTG TRAY	1	EA	NO LONGER AVAILABLE
16	E9109655	COVER, BAKE TRAY	1	EA	
17	PB070309	BAKE ELEMENT INSULATION	1	EA	
18	E91012614	LIGHT HOLE COVER	2	EA	
19	PB060104	RACK SUPPORT LH	1	EA	
20	E9107933	BROILER PAN	1	EA	
21	E9107934	BROILER PAN INSERT - NLA	1	EA	
22	PE050206	RTD THERMOSTAT PROBE	1	EA	
23	PD020055	' #10 X 1/2" PAN PHIL. TEK.*SS*	16	EA	
24	A20014021	REFLECTOR, BROIL	1	EA	
25	A2009641	BRKT, TOP WRAPPER	2	EA	

CONTROL AREA





Item	Part No.	Name	Qty	Uom	NOTES
1	036047-000	CAPACITOR, CONV MOTOR, INTL	2	EA	
2	A10014028	2 CAPACITOR BRACKET	1	EA	
Comments for Part Num. A10014028					
service@priorityappliance.com on Jan 17, 2019					
The capacitors are part # 036047-000, found by looking up a VEDO130. Confirmed - they're the same capacitor.					
3	PD040164	5/16 INTERNAL TOOTH LOCK WASHER TYPE A	2	EA	
4	PD030172	M8 X 1.25MM NUT	2	EA	
5	002534-000	30 Pro Touch Control Pnl Brkt	1	EA	Not available online / Call for pricing and availability
6	C90014073BK	Inlet Grille - BK	1	EA	
6	C90014073WH	Inlet Grille - WH	1	EA	
7	PD040004	GROMMET BUMPER	2	EA	
8	002458-000	27" Double Touch Control Mtg Panel	1	EA	
9	000238-000	Touch Control Mtg Bracket	2	EA	Not available online / Call for pricing and availability
10	036796-2022	SINGLE PREMIER TOUCH PANEL	1	EA	
11	002457-000BK	27" Professional Control Panel - BK	1	EA	Not available online / Call for pricing and availability
11	002457-000SS	27" Professional Control Panel - SS	1	EA	Not available online / Call for pricing and availability
11	002457-000WH	27" Professional Control Panel - WH	1	EA	Not available online / Call for pricing and availability
12	002007-000	27" J Mold	1	EA	Not available online / Call for pricing and availability
13	PJ030043	Bi Metal Thermostat - 150 Degrees	1	EA	
14	PD020013	TYPE "AB" #6 X 3/8 PH PAN HD. SMS	2	EA	

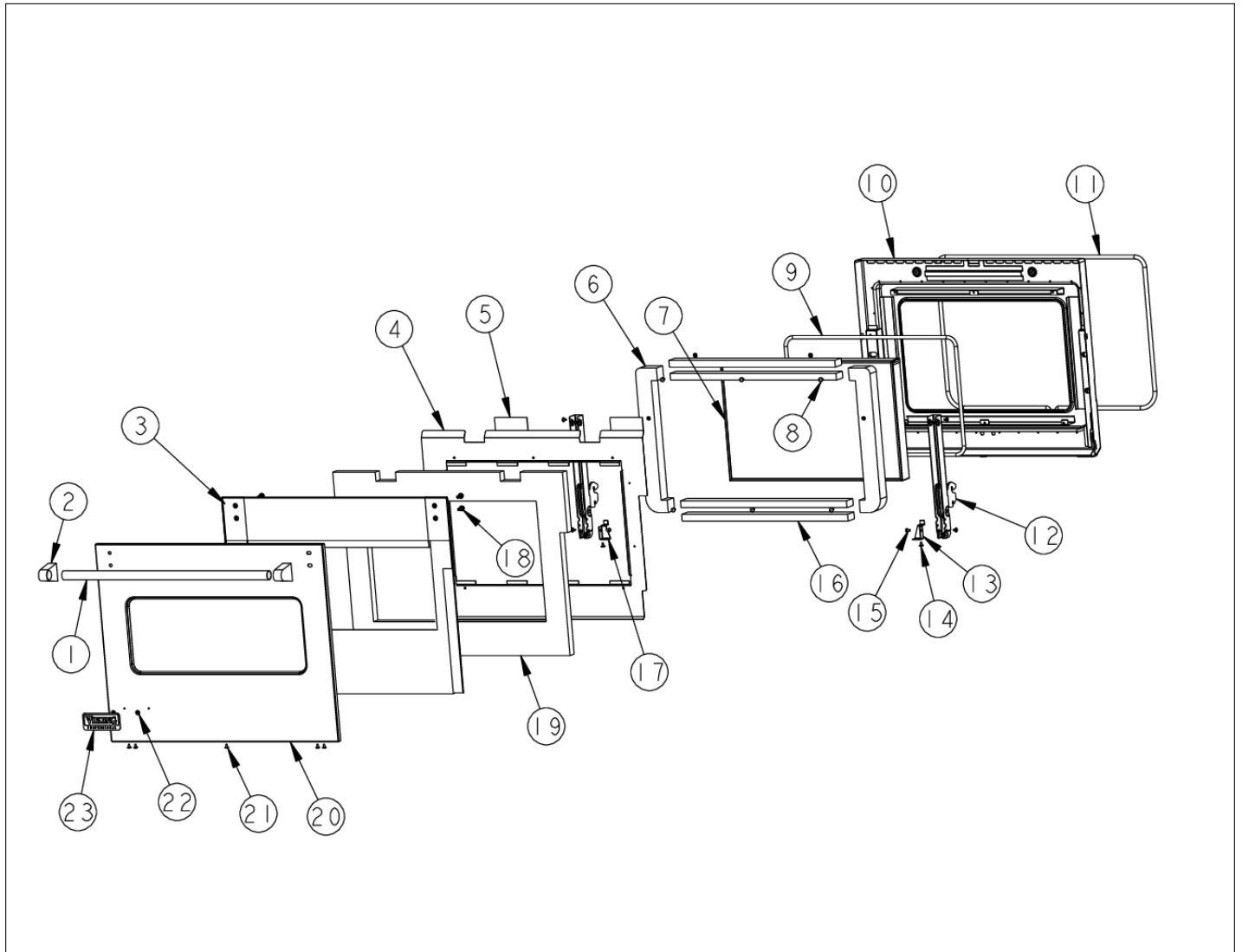






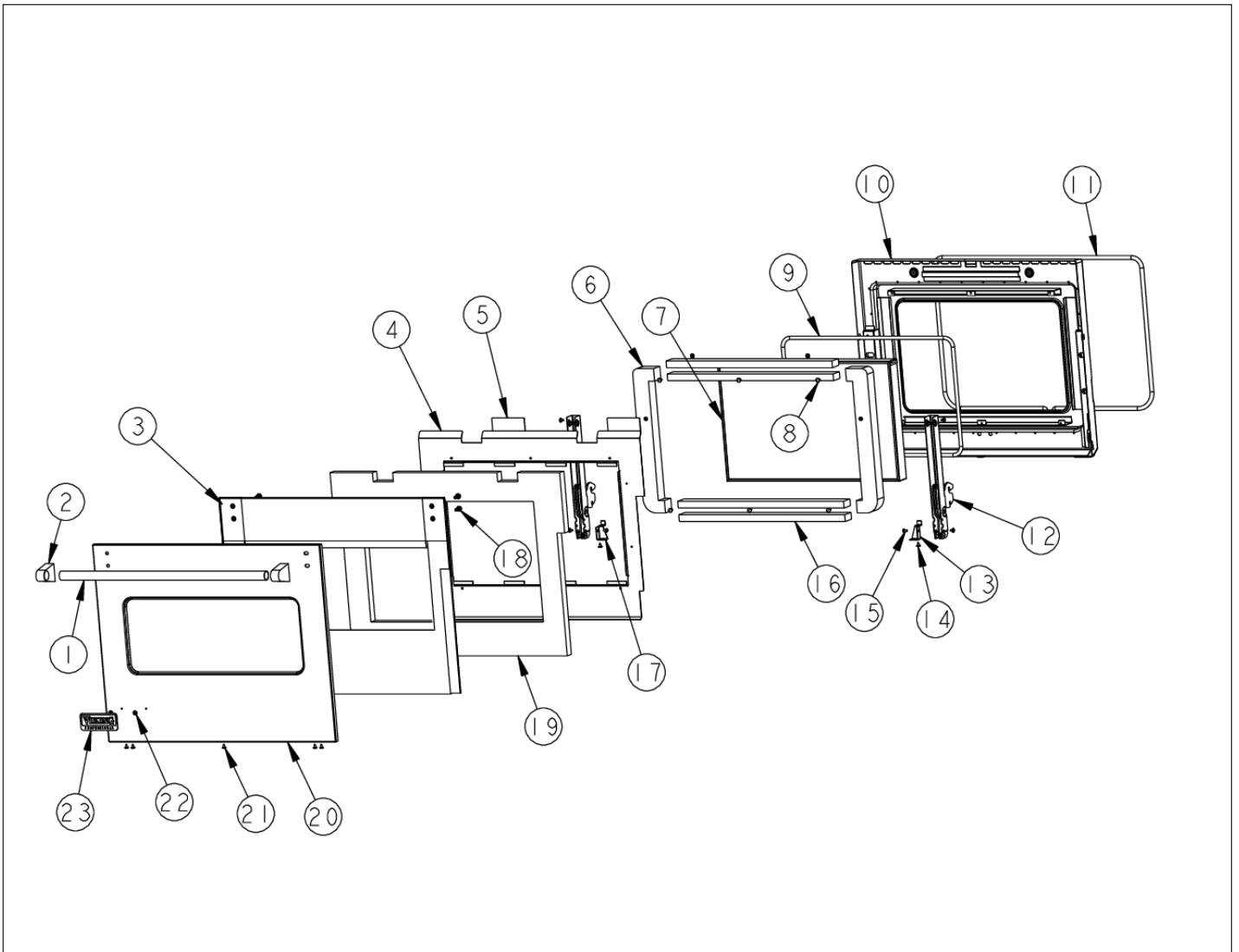
Item	Part No.	Name	Qty	Uom	NOTES
15	PD020004	10X3/8PH.HD.TYPE 25 REPL PD040125	11	EA	
16	PD020060	10 X 1/2" (5/16)HEX WSHER HD.(T)A	6	EA	

DOOR ASSY



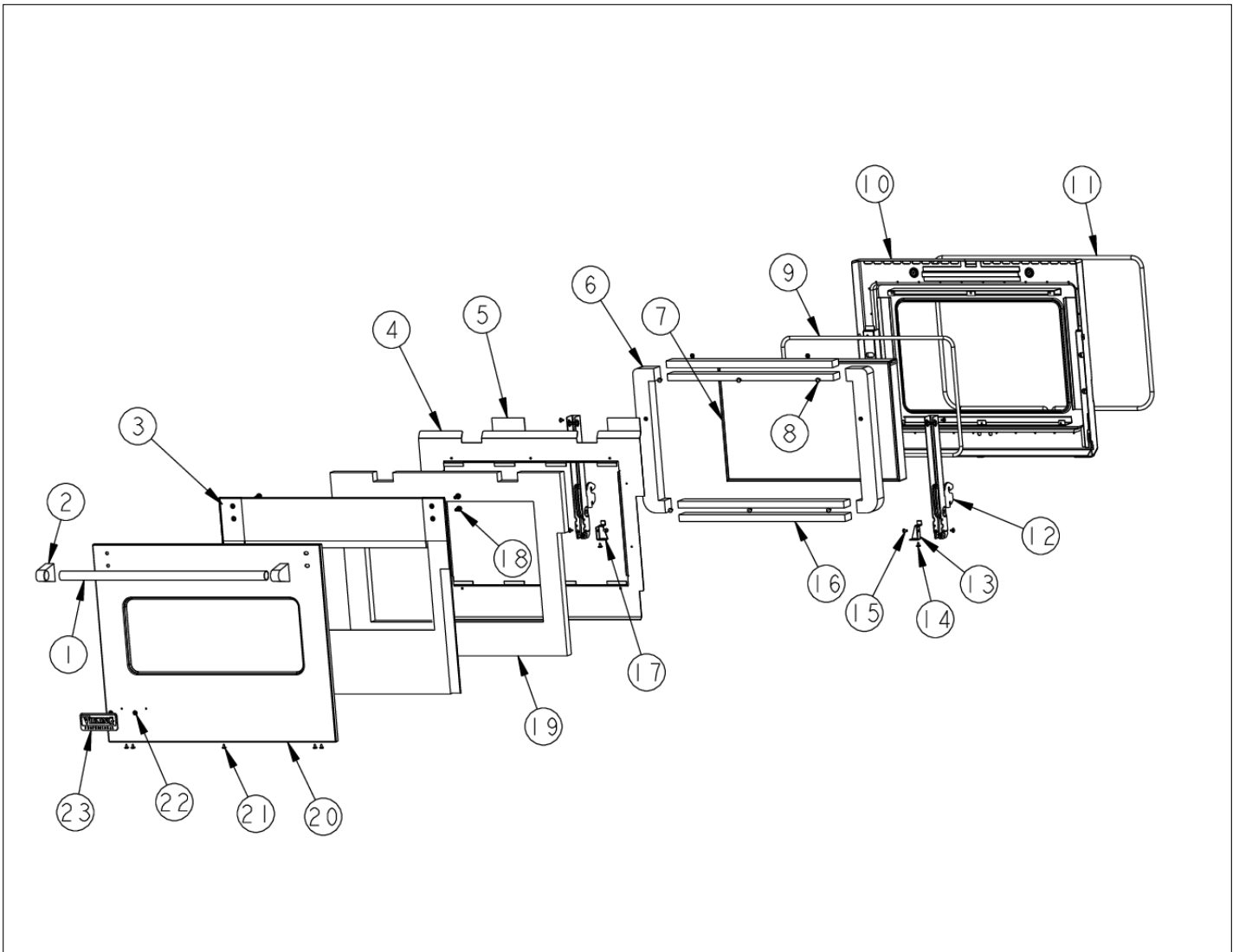


Item	Part No.	Name	Qty	Uom	NOTES
1	PE030178	27" PROF. DOOR HANDLE	1	EA	
1	PE030178PVD	27" PROF. DOOR HANDLE *PVD*	1	EA	Not available online / Call for pricing and availability
2	000268-000	HANDLE ENDCAP	2	EA	
2	PE030001PVD	END CAP DOOR HANDLE *BR	2	EA	
3	001501-000	Pro 27" Insulation Retainer Kit (After 7-17-06)	1	EA	NO LONGER AVAILABLE
4	A20010949	PANEL, INSULATION, INNNER DOOR	1	EA	
5	PB070336	Door Bracket Insulation	1	EA	
6	PB070271	DOOR PLUG INSULATION	6	EA	
7	PE060093	27" WINDOW PACK	1	EA	
8	PD020002	10 X 1/2 PH.TR.HD.SMS.	8	EA	
9	000594-000	BLACK FIBERGLASS ROPE 3/8	1	EA	
10	G91010942	DOOR LINER PORC.	1	EA	
Comments for Part Num. G91010942					
gboltz@VikingRange.com on Jun 7, 2016					
Correct part number is G91019042BK					
11	PB070245	27" DOOR GASKET	1	EA	
12	006071-000	DOOR HINGE	2	EA	
13	A20012640	HINGE SUPPORT RH	1	EA	
14	PD020063	SCREW-#8(A) X 3/8"PH WFR HD/BK OXID	2	EA	
15	PD020004	10X3/8PH.HD.TYPE 25 REPL PD040125	6	EA	
16	PB070273	Window Pack Insulation	4	EA	
17	A20012641	HINGE SUPPORT LH	1	EA	
18	PD020186	1/4"-20 X 3/4" HEX WASHER HEAD MS	4	EA	Not available online / Call for pricing and availability
19	PB070276	27" DOOR INSULATION	1	EA	
20	PS500014AL	27" PRO DOOR SKIN SERVICE KIT W/LOGO AFTER 07/17/06 - AL AL	1	EA	NO LONGER AVAILABLE, Not available online / Call for pricing and availability



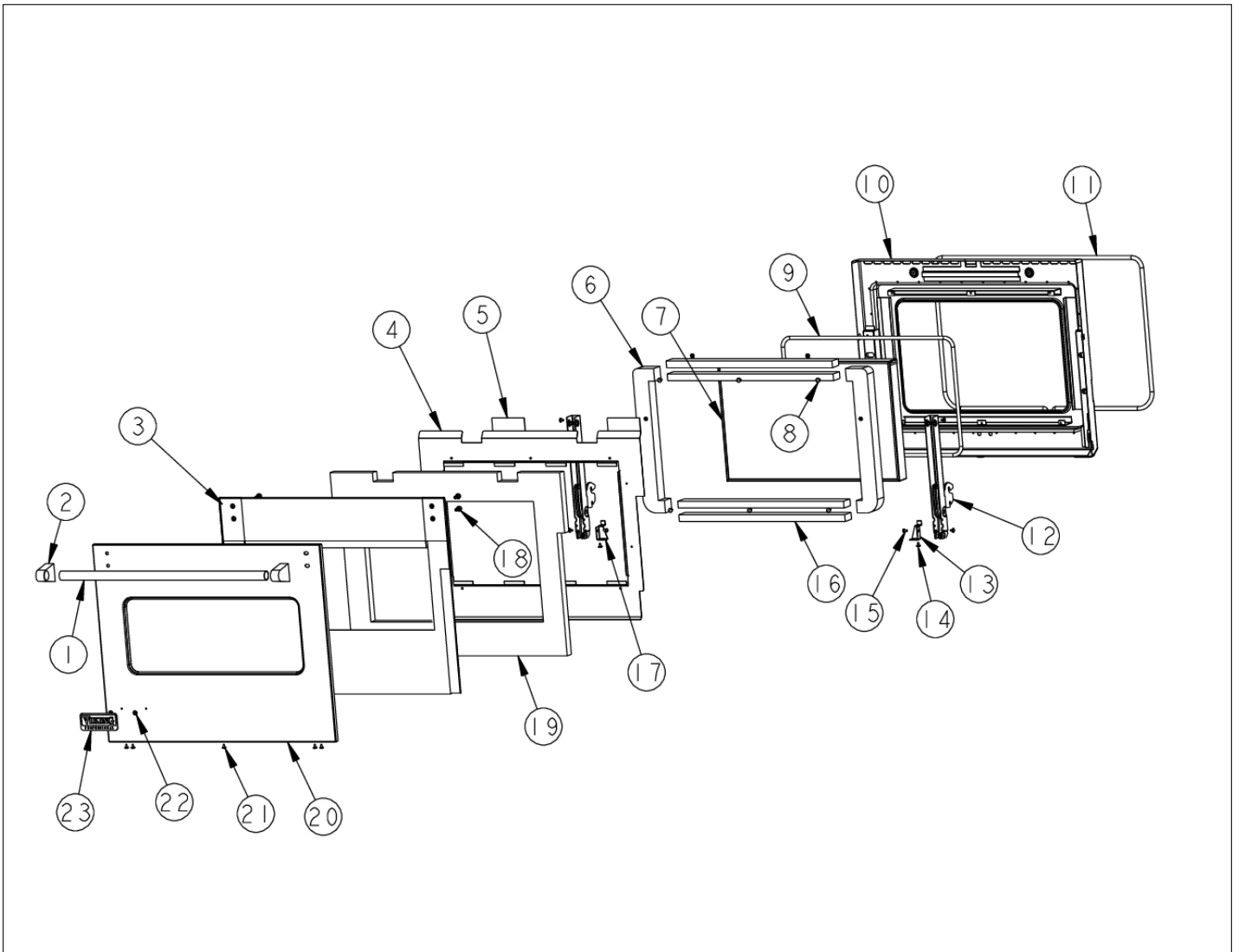


Item	Part No.	Name	Qty	Uom	NOTES
20	PS500014ALBR	27" PRO DOOR SKIN SERVICE KIT W/LOGO AFTER 07/17/06 - AL/BR	1	EA	NO LONGER AVAILABLE
20	PS500014BK	27" PRO DOOR SKIN SERVICE KIT W/LOGO AFTER 07/17/06 - BK	1	EA	Not available online / Call for pricing and availability
20	PS500014BKBR	27" PRO DOOR SKIN SERVICE KIT W/LOGO AFTER 07/17/06 - BK/BR	1	EA	NO LONGER AVAILABLE, Not available online / Call for pricing and availability
20	PS500014BT	27" PRO DOOR SKIN SERVICE KIT W/LOGO AFTER 07/17/06 - BT	1	EA	
20	PS500014BTBR	27" PRO DOOR SKIN SERVICE KIT W/LOGO AFTER 07/17/06 - BT/BR	1	EA	NO LONGER AVAILABLE, Not available online / Call for pricing and availability
20	PS500014BU	27" PRO DOOR SKIN SERVICE KIT W/LOGO AFTER 07/17/06 - BU	1	EA	
20	PS500014BUBR	27" PRO DOOR SKIN SERVICE KIT W/LOGO AFTER 07/17/06 - BU/BR	1	EA	NO LONGER AVAILABLE, Not available online / Call for pricing and availability
20	PS500014CB	27" PRO DOOR SKIN SERVICE KIT W/LOGO AFTER 07/17/06 - CB	1	EA	NO LONGER AVAILABLE, Not available online / Call for pricing and availability
20	PS500014CBBR	27" PRO DOOR SKIN SERVICE KIT W/LOGO AFTER 07/17/06 - CB/BR	1	EA	NO LONGER AVAILABLE, Not available online / Call for pricing and availability
20	PS500014EP	27" PRO DOOR SKIN SERVICE KIT W/LOGO AFTER 07/17/06 - EP	1	EA	NO LONGER AVAILABLE, Not available online / Call for pricing and availability
20	PS500014EPBR	27" PRO DOOR SKIN SERVICE KIT W/LOGO AFTER 07/17/06 - EP/BR	1	EA	NO LONGER AVAILABLE, Not available online / Call for pricing and availability
20	PS500014FG	27" PRO DOOR SKIN SERVICE KIT W/LOGO AFTER 07/17/06 - FG	1	EA	NO LONGER AVAILABLE, Not available online / Call for pricing and availability





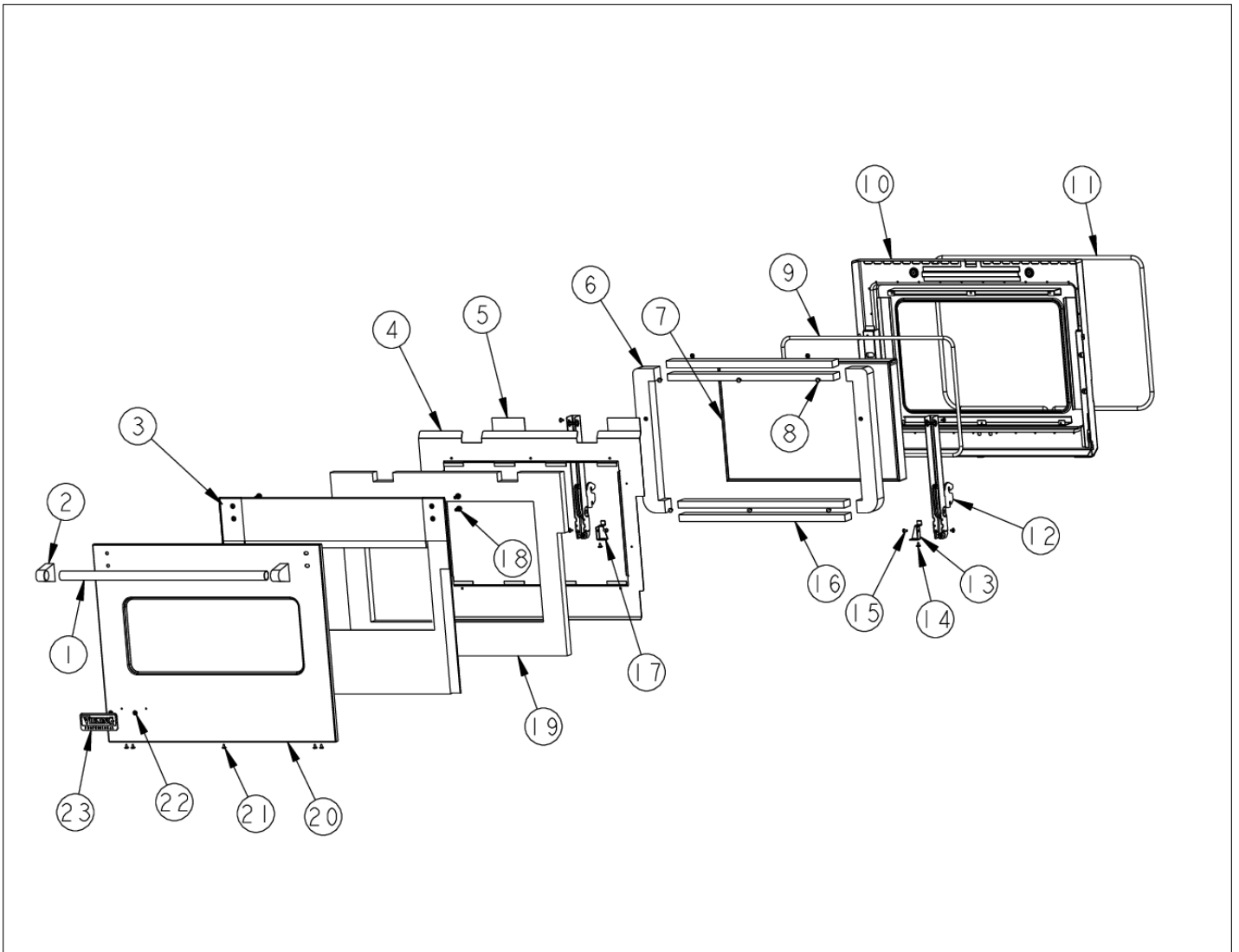
Item	Part No.	Name	Qty	Uom	NOTES
20	PS500014FGBR	27" PRO DOOR SKIN SERVICE KIT W/LOGO AFTER 07/17/06-FG/BR	1	EA	NO LONGER AVAILABLE, Not available online / Call for pricing and availability
20	PS500014GG	27" PRO DOOR SKIN SERVICE KIT W/LOGO AFTER 07/17/06 - GG	1	EA	NO LONGER AVAILABLE, Not available online / Call for pricing and availability
20	PS500014GGBR	27" PRO DOOR SKIN SERVICE KIT W/LOGO AFTER 07/17/06-GG/BR	1	EA	NO LONGER AVAILABLE, Not available online / Call for pricing and availability
20	PS500014LE	27" PRO DOOR SKIN SERVICE KIT W/LOGO AFTER 07/17/06 - LE	1	EA	
20	PS500014LEBR	27" PRO DOOR SKIN SERVICE KIT W/LOGO AFTER 07/17/06-LE/BR	1	EA	NO LONGER AVAILABLE, Not available online / Call for pricing and availability
20	PS500014MJ	27" PRO DOOR SKIN SERVICE KIT W/LOGO AFTER 07/17/06 - MJ	1	EA	NO LONGER AVAILABLE, Not available online / Call for pricing and availability
20	PS500014MJBR	27" PRO DOOR SKIN SERVICE KIT W/LOGO AFTER 07/17/06-MJ/BR	1	EA	NO LONGER AVAILABLE, Not available online / Call for pricing and availability
20	PS500014SG	27" PRO DOOR SKIN SERVICE KIT W/LOGO AFTER 07/17/06 - SG	1	EA	NO LONGER AVAILABLE, Not available online / Call for pricing and availability
20	PS500014SGBR	27" PRO DOOR SKIN SERVICE KIT W/LOGO AFTER 07/17/06-SG/BR	1	EA	NO LONGER AVAILABLE, Not available online / Call for pricing and availability
20	PS500014SS	27" PRO DOOR SKIN SERVICE KIT W/LOGO AFTER 07/17/06 - SS	1	EA	
20	PS500014SSBR	27" PRO DOOR SKIN SERVICE KIT W/LOGO AFTER 07/17/06-SS/BR	1	EA	NO LONGER AVAILABLE, Not available online / Call for pricing and availability





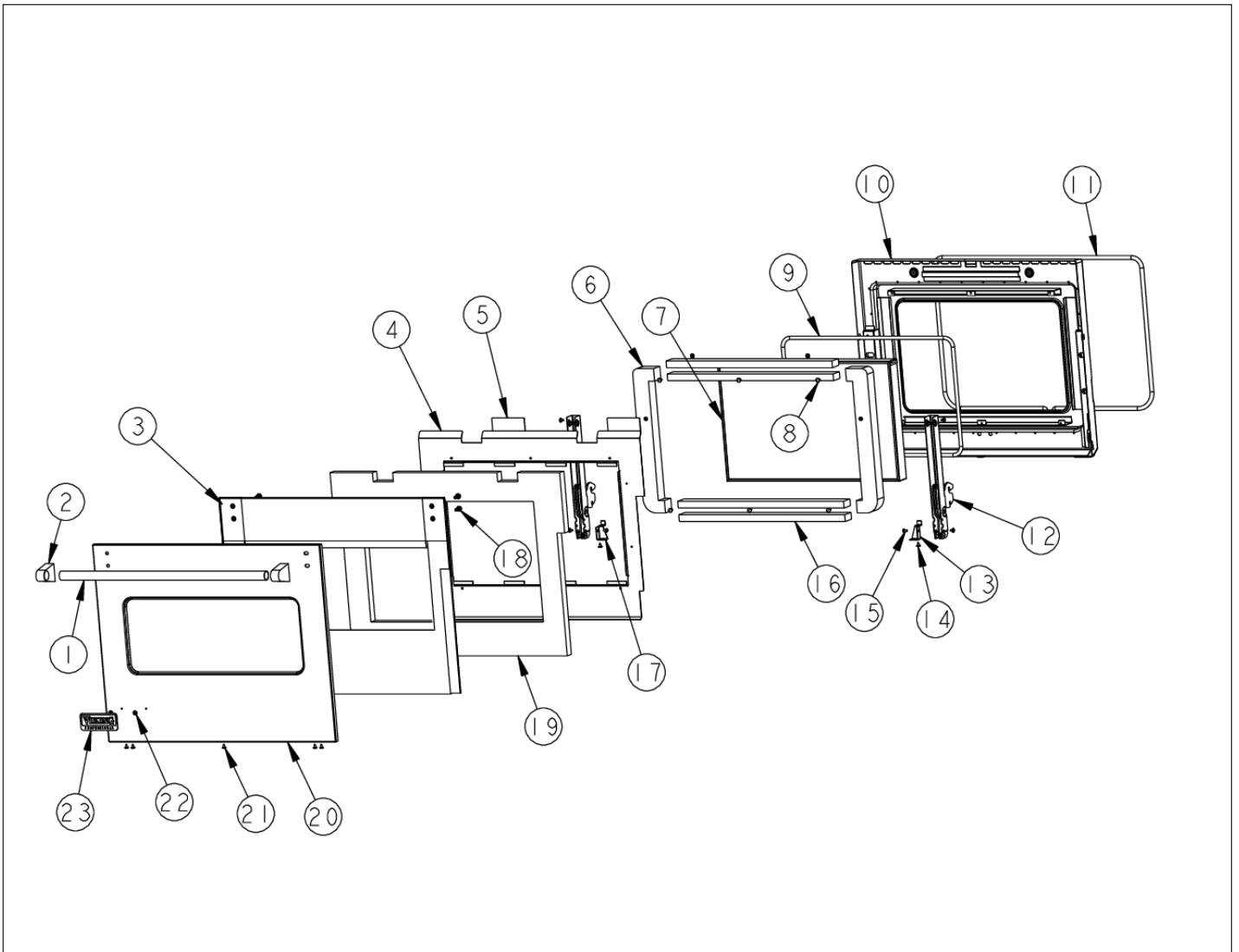


Item	Part No.	Name	Qty	Uom	NOTES
20	PS500014VB	27" PRO DOOR SKIN SERVICE KIT W/LOGO AFTER 07/17/06 - VB	1	EA	NO LONGER AVAILABLE, Not available online / Call for pricing and availability
20	PS500014VB BR	27" PRO DOOR SKIN SERVICE KIT W/LOGO AFTER 07/17/06 - VB/BR	1	EA	NO LONGER AVAILABLE, Not available online / Call for pricing and availability
20	PS500014WH	27" PRO DOOR SKIN SERVICE KIT W/LOGO AFTER 07/17/06 - WH	1	EA	
20	PS500014WH BR	27" PRO DOOR SKIN SERVICE KIT W/LOGO AFTER 07/17/06 - WH/BR	1	EA	NO LONGER AVAILABLE
21	PD020032	SRW-8(A)X3/8"PH.WFR HD 7/16DIA*NICL	5	EA	
22	PD030006	CAPPED WASHER PAL NUT	2	EA	
23	PE010016	LOGO (ALL RANGES) *BK/CHR 307997W	1	EA	
23	PE010017	LOGO (VGSO,VEDO,VGDO,VUD) *WH/CHR	1	EA	
23	PE010079	4.5" LOGO/VIKING PROF *BK/BR	1	EA	
23	PE010080	4.5" LOGO/VIKING PROF *WH/BR	1	EA	
NI	G32012719AL	27" DOOR ASSY W/LOGO *AL*	1	EA	NO LONGER AVAILABLE, Not available online / Call for pricing and availability
NI	G32012719AL BR	COMPLETE DOOR ASSY. - ALBR	1	EA	
NI	G32012719BK	27" DOOR ASSY W/LOGO *BK*	1	EA	Not available online / Call for pricing and availability
NI	G32012719BK BR	27" DOOR ASSY W/LOGO *BKBR*	1	EA	NO LONGER AVAILABLE, Not available online / Call for pricing and availability
NI	G32012719BT	27" DOOR ASSY W/LOGO *BT*	1	EA	NO LONGER AVAILABLE





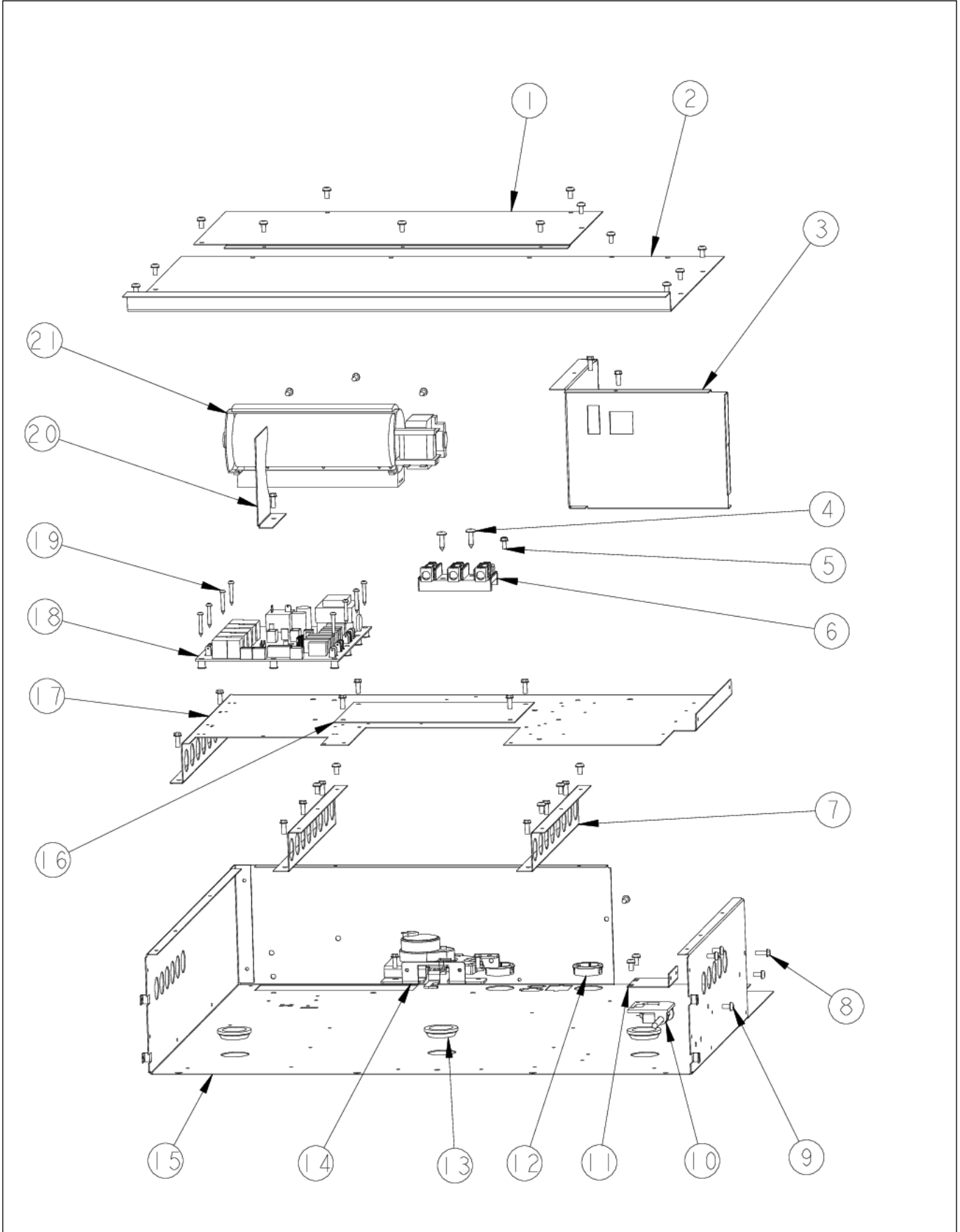
Item	Part No.	Name	Qty	Uom	NOTES
NI	G32012719BTBR	27" DOOR ASSY W/LOGO *BTBR*	1	EA	NO LONGER AVAILABLE, Not available online / Call for pricing and availability
NI	G32012719BU	27" DOOR ASSY W/LOGO *BU*	1	EA	NO LONGER AVAILABLE, Not available online / Call for pricing and availability
NI	G32012719BUBR	27" DOOR ASSY W/LOGO *BUBR*	1	EA	NO LONGER AVAILABLE, Not available online / Call for pricing and availability
NI	G32012719CB	27" DOOR ASSY W/LOGO *CB*	1	EA	NO LONGER AVAILABLE, Not available online / Call for pricing and availability
NI	G32012719CBBR	27" DOOR ASSY W/LOGO *CBBR*	1	EA	NO LONGER AVAILABLE, Not available online / Call for pricing and availability
NI	G32012719EP	27" DOOR ASSY W/LOGO *EP*	1	EA	NO LONGER AVAILABLE, Not available online / Call for pricing and availability
NI	G32012719EPBR	27" DOOR ASSY W/LOGO *EPBR*	1	EA	NO LONGER AVAILABLE, Not available online / Call for pricing and availability
NI	G32012719FG	27" DOOR ASSY W/LOGO *FG*	1	EA	NO LONGER AVAILABLE, Not available online / Call for pricing and availability
NI	G32012719FGBR	27" DOOR ASSY W/LOGO *FGBR*	1	EA	NO LONGER AVAILABLE, Not available online / Call for pricing and availability
NI	G32012719GG	27" DOOR ASSY W/LOGO *GG*	1	EA	NO LONGER AVAILABLE, Not available online / Call for pricing and availability
NI	G32012719GGBR	27" DOOR ASSY W/LOGO *GGBR*	1	EA	





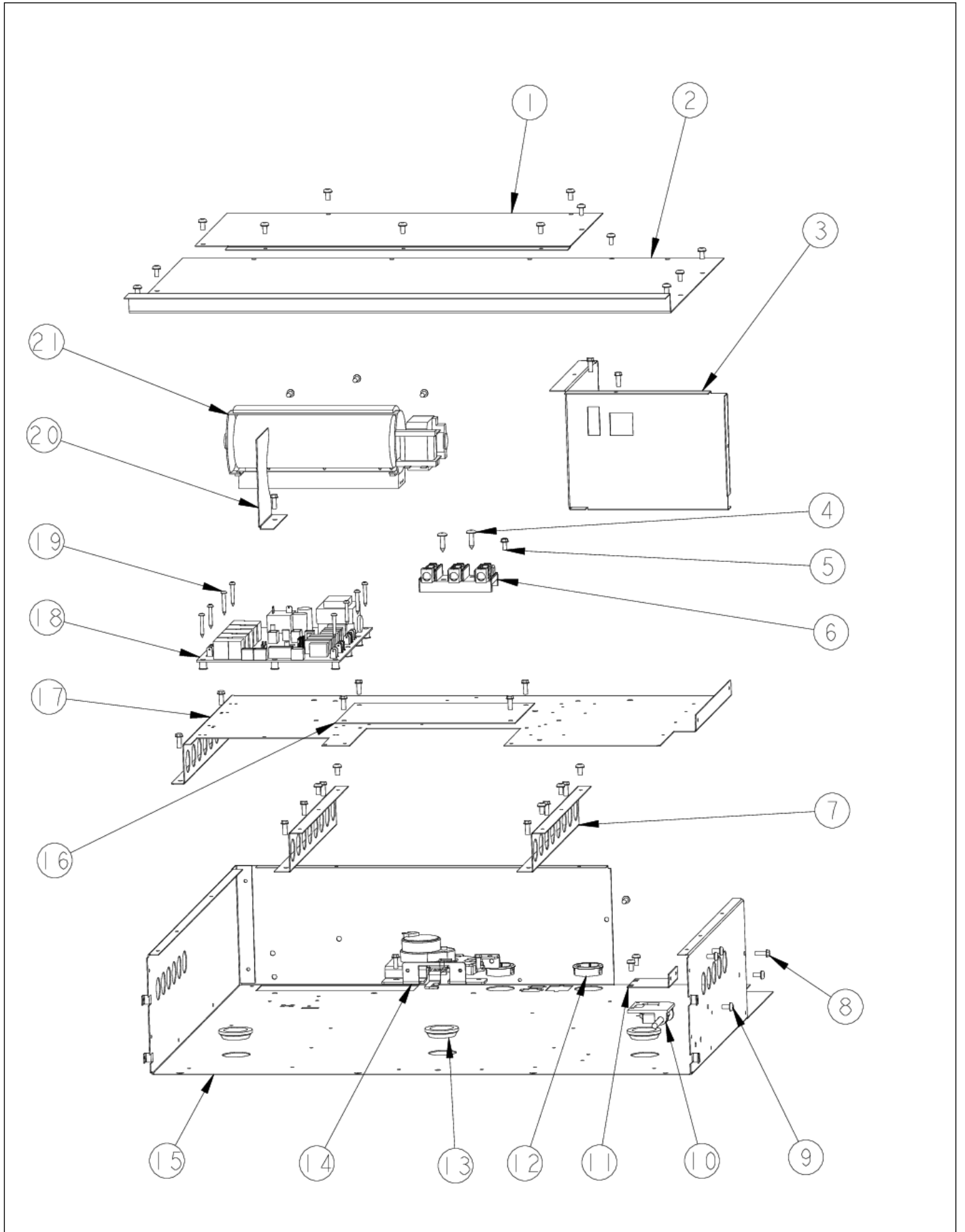
Item	Part No.	Name	Qty	Uom	NOTES
NI	G32012719LE	27" DOOR ASSY W/LOGO *LE*	1	EA	NO LONGER AVAILABLE, Not available online / Call for pricing and availability
NI	G32012719LEBR	27" DOOR ASSY W/LOGO *LEBR*	1	EA	NO LONGER AVAILABLE, Not available online / Call for pricing and availability
NI	G32012719MJ	27" DOOR ASSY W/LOGO *MJ*	1	EA	NO LONGER AVAILABLE, Not available online / Call for pricing and availability
NI	G32012719MJBR	27" DOOR ASSY W/LOGO *MJBR*	1	EA	NO LONGER AVAILABLE, Not available online / Call for pricing and availability
NI	G32012719SG	27" DOOR ASSY W/LOGO *SG*	1	EA	NO LONGER AVAILABLE, Not available online / Call for pricing and availability
NI	G32012719SGBR	27" DOOR ASSY W/LOGO *SGBR*	1	EA	NO LONGER AVAILABLE, Not available online / Call for pricing and availability
NI	G32012719SS	27" DOOR ASSY W/LOGO	1	EA	
NI	G32012719SSBR	27" DOOR ASSY W/LOGO *SSBR*	1	EA	NO LONGER AVAILABLE
NI	G32012719VB	27" DOOR ASSY W/LOGO *VB*	1	EA	NO LONGER AVAILABLE, Not available online / Call for pricing and availability
NI	G32012719VBBR	27" DOOR ASSY W/LOGO *VBBR*	1	EA	NO LONGER AVAILABLE, Not available online / Call for pricing and availability
NI	G32012719WH	27" DOOR ASSY W/LOGO *WH*	1	EA	
NI	G32012719WHBR	27" DOOR ASSY W/LOGO *WHBR*	1	EA	NO LONGER AVAILABLE, Not available online / Call for pricing and availability
NI	017736-000	WINDOW PACK INSULATION KIT	1	EA	

OVEN ELEC





Item	Part No.	Name	Qty	Uom	NOTES
1	A20014047	Rear Cover	1	EA	Not available online / Call for pricing and availability
2	A20014046	Front Cover	1	EA	Not available online / Call for pricing and availability
3	A20010934	BRACKET, MODULE PAN	1	EA	
4	PD020014	10X3/4 PH TR HD SMS	2	EA	
5	PD020010	10 X 3/8 GREEN GROUNDING SCREW	1	EA	
6	PE070147	TERMINAL BLOCK (VDSC)	1	EA	
7	A20010910	Support Bracket, Electronics Hat	2	EA	Not available online / Call for pricing and availability
8	PD020060	10 X 1/2" (5/16)HEX WSHER HD.(T)A	25	EA	
9	PD020004	10X3/8PH.HD.TYPE 25 REPL PD040125	24	EA	
10	PE050208	DOOR SWITCH	1	EA	
11	A20012649	DOOR SWITCH BRACKET	1	EA	
12	PD040152	SNAP BUSHING	2	EA	
13	PB070079	SILICONE EXTRUSION (DGSU)	3	EA	
14	013250-000	LATCH,DOOR,ASM,240V,GRID DLE LOCKOUT	1	EA	
15	Not Replaceable	Module Pan	N/A	EA	Not available online / Call for pricing and availability
16	A10010911	Latch Cover	1	EA	
17	A20010935	Electronics Hat	1	EA	Not available online / Call for pricing and availability
18	PE050233	Control Board	1	EA	
19	PD020185	Screw, 6 X 1" Pan Head	8	EA	
20	A2009667	REAR AIR DIVIDER	1	EA	
21	PE050250	Blower	1	EA	

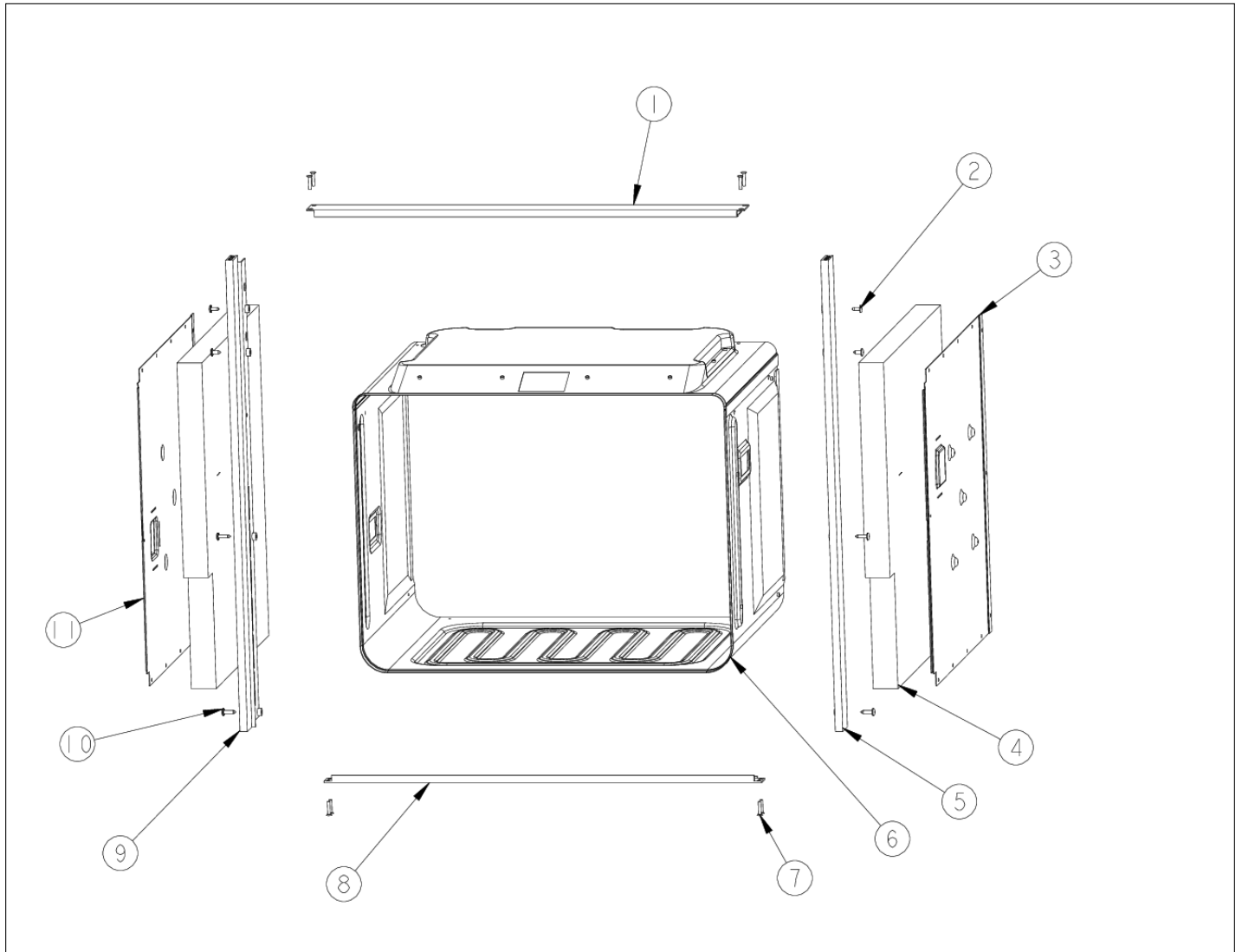






Item	Part No.	Name	Qty	Uom	NOTES
Comments for Part Num. PE050250					
highendappsvc@gmail.com on Jan 28, 2019					
If you need to replace cooling fan for the model vgsc5486gss serial date code 031412, do not order this fan, this fan is larger and configured wrong. The correct fan is 007794-000. it is smaller.					
Not Shown	NOTE	(BEFORE 02/04/13)		EA	
21	018607-000	FAN, BLO, 220-240V 50/60Hz ASM (MT1664)	1	EA	
Not Shown	NOTE	(ON OR AFTER 02/04/13)		EA	

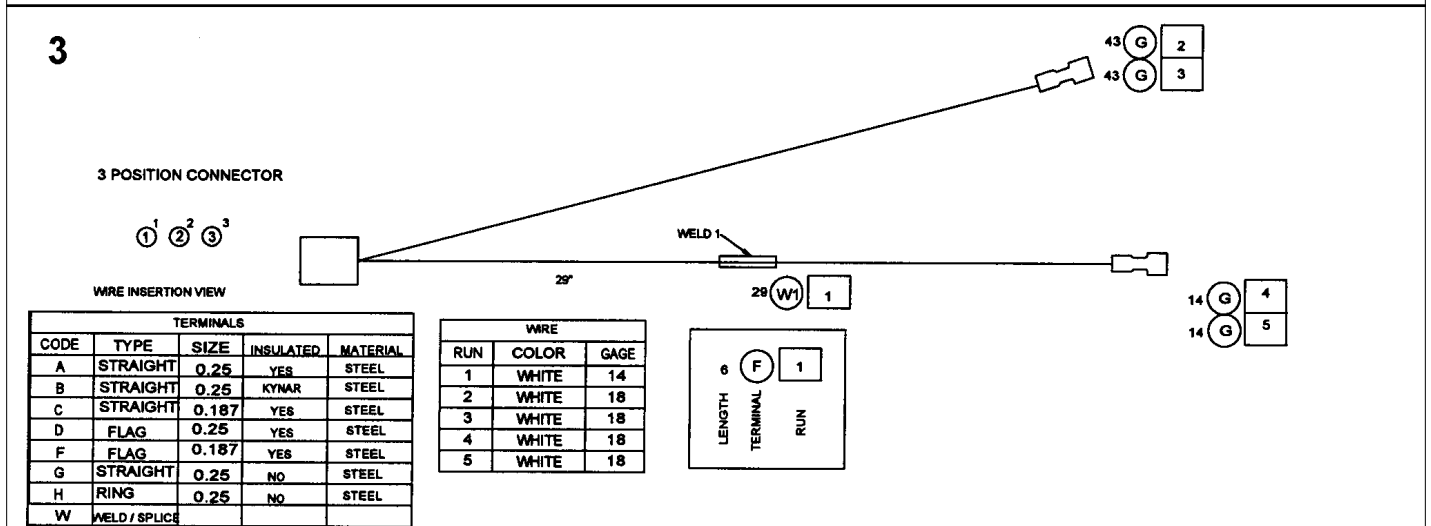
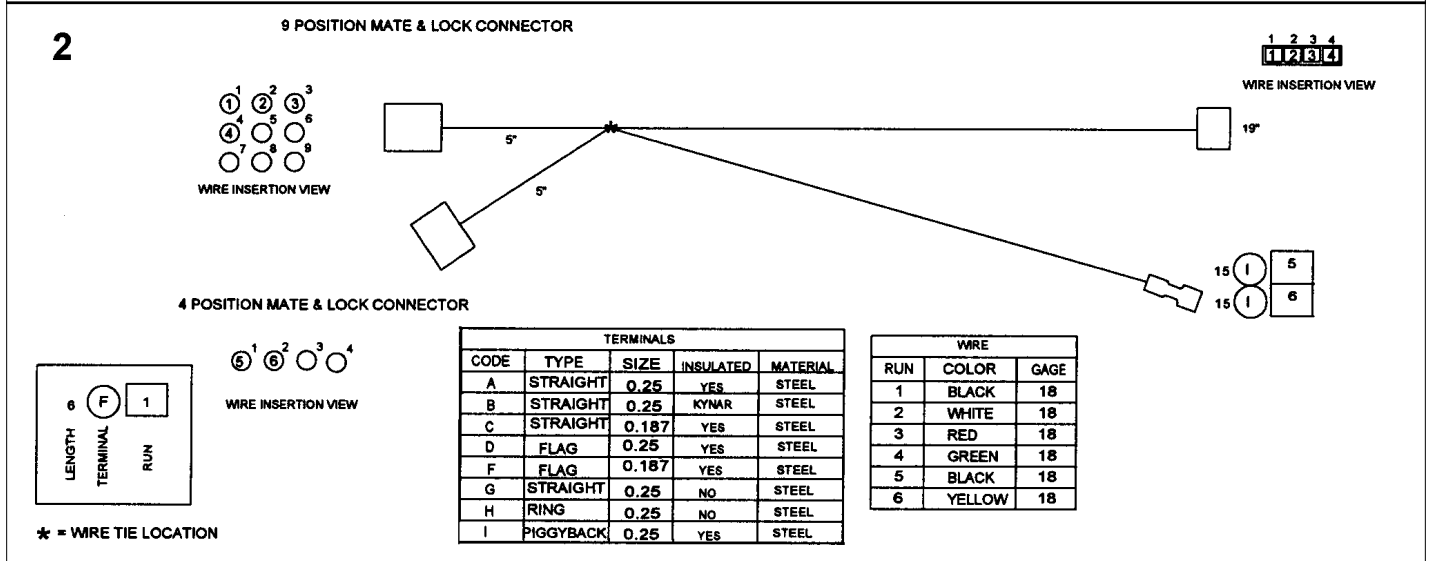
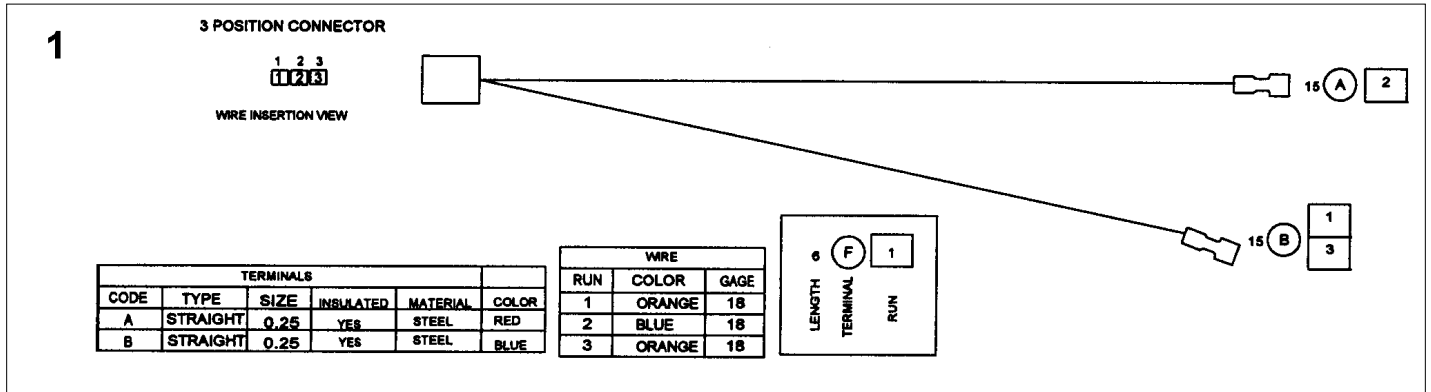
OVEN EXTERIOR





Item	Part No.	Name	Qty	Uom	NOTES
1	PE040271	27" PROF. TOP TRIM	1	EA	
2	PD020002	10 X 1/2 PH.TR.HD.SMS.	4	EA	
3	A2009622	BRKT, TOP WRAPPER, RIGHT	1	EA	Not available online / Call for pricing and availability
4	PB070302	SIDE INSULATION	2	EA	
5	PE040275	PROF. SINGLE SIDE TRIM RH	1	EA	
6	NOT REPLACEABLE	OVEN CAVITY ASSEMBLY	N/A	EA	
7	PD020170	Screw, 6 X 1 Pan Hd	8	EA	
8	PE040272	27" PROF. BOTTOM TRIM	1	EA	
9	PE040276	PROF. SINGLE SIDE TRIM LH	1	EA	
10	PD020014	10X3/4 PH TR HD SMS	4	EA	
11	A20012650	BRKT, TOP WRAPPER LEFT	1	EA	Not available online / Call for pricing and availability

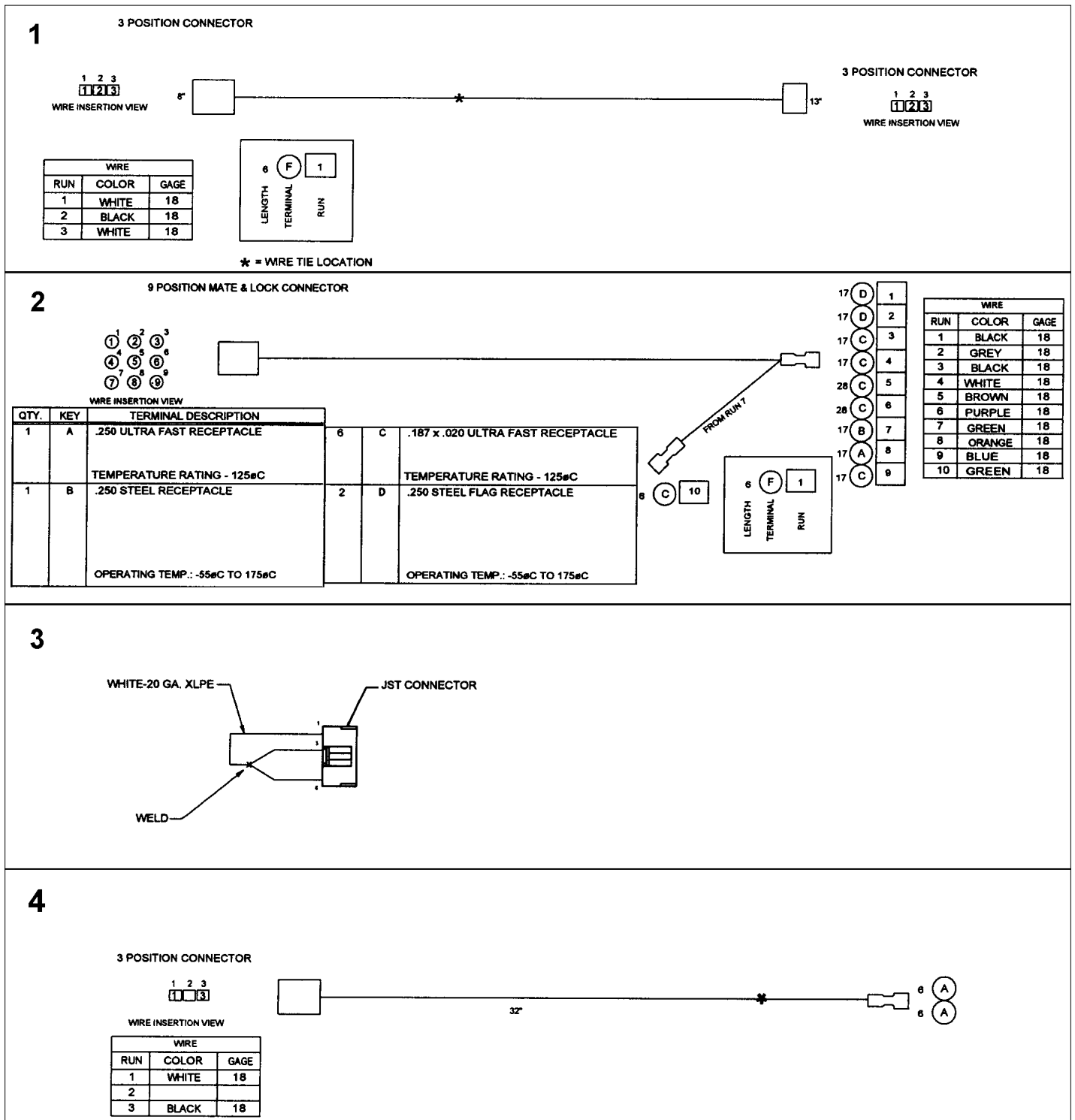
SIMPLE HARNESSES 1





Item	Part No.	Name	Qty	Uom	NOTES
1	PE070743	SINGLE CLOCK HARNESS	1	EA	
2	PE070754	TEST HARNESS SINGLE	1	EA	Not available online / Call for pricing and availability
3	PE070739	BAKE ELEMENT HARNESS	1	EA	
NI	G4005496	SUPPLY WIRE - 100" BK 10GA SO/DO	1	EA	
NI	G4005497	SUPPLY WIRE - 100" GREEN 10GA SO/DO	1	EA	
NI	G4005499	SUPPLY WIRE - 100" RED 10GA SO/DO	1	EA	
NI	G4005494	SUPPLY WIRE - 75" WH 12 GA SO/DO - NLA	1	EA	

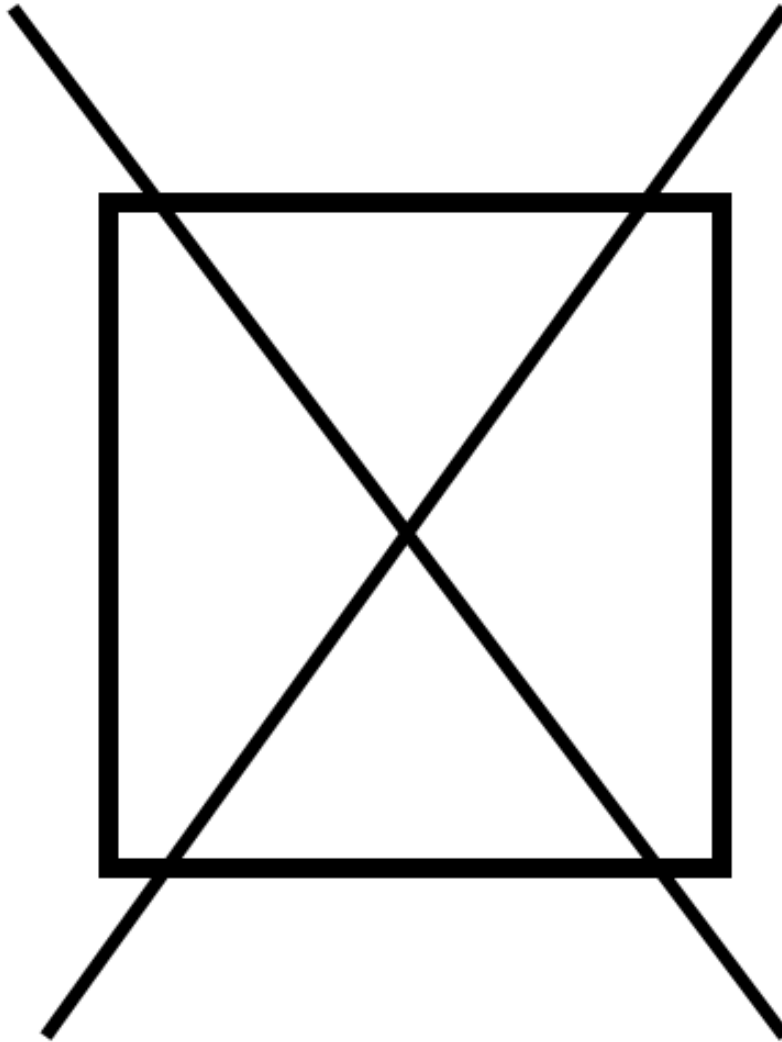
SIMPLE HARNESSES 2





Item	Part No.	Name	Qty	Uom	NOTES
1	PE070738	T/STAT-SEL HARNESS	1	EA	
2	PE070733	UPPER LATCH HARNESS	1	EA	
3	PE070734	SINGLE OVEN HEADER	1	EA	
4	PE070735	MEAT PROBE HARNESS	1	EA	

NON  
ILLUSTRATED PART

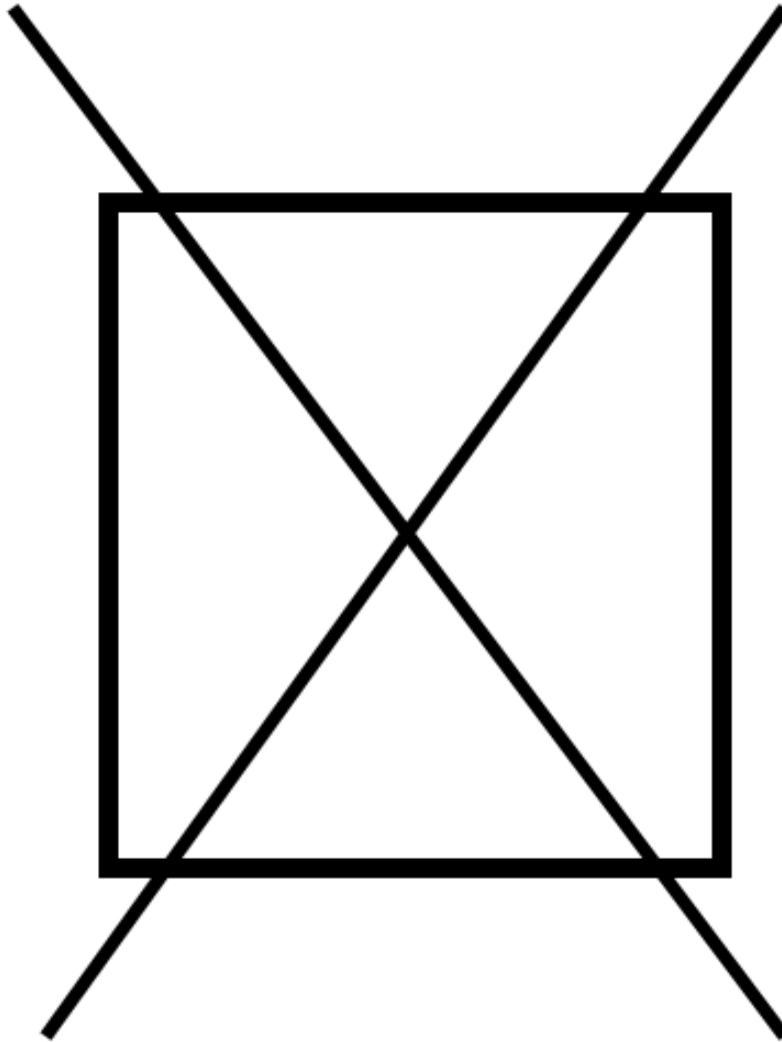






Item	Part No.	Name	Qty	Uom	NOTES
1	PE070846	TOUCH CONTROL DISPLAY HARNESS	1	EA	

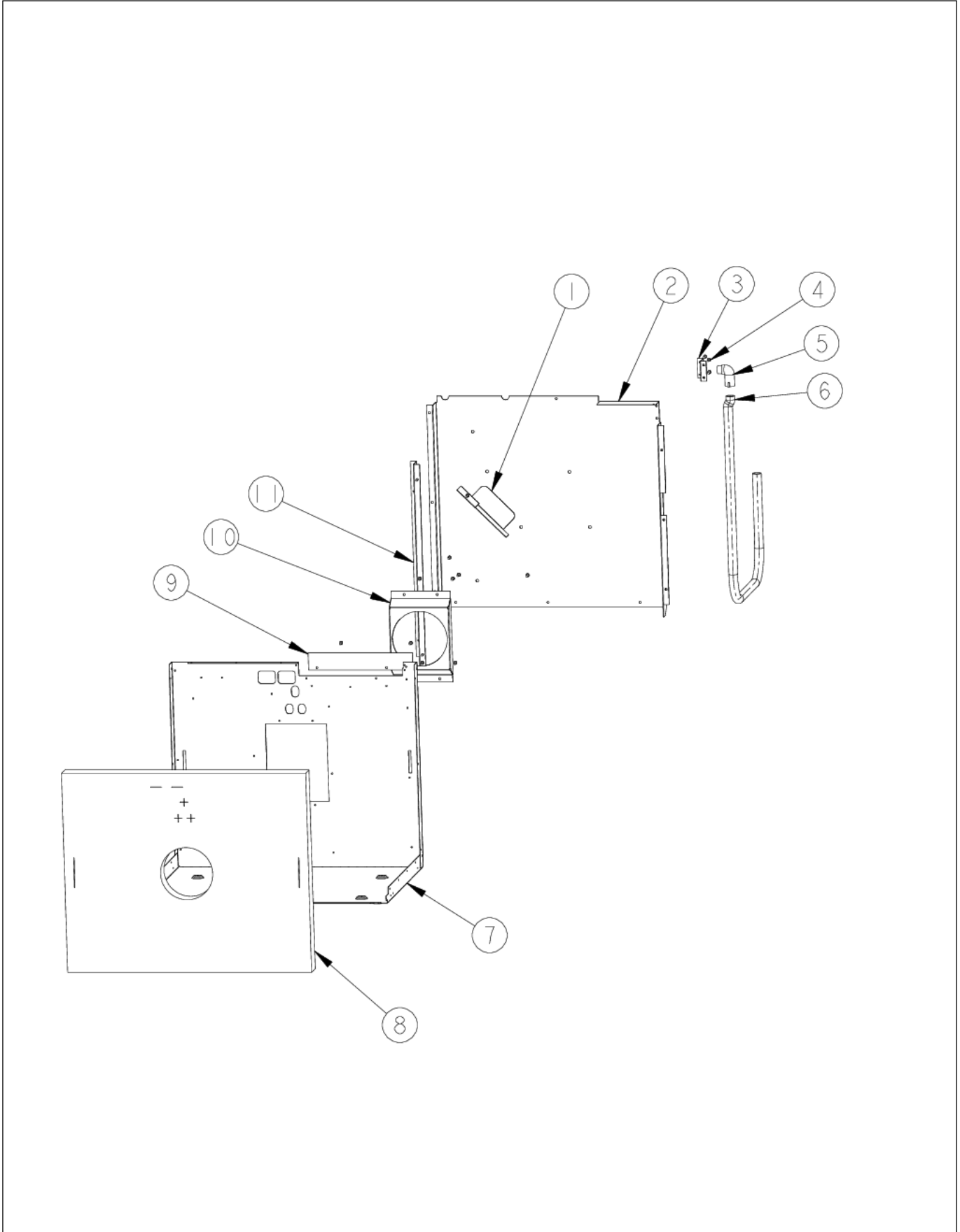
NON  
ILLUSTRATED PART





Item	Part No.	Name	Qty	Uom	NOTES
1	PE070845	TOUCH CONTROL KEYBOARD HARNESS	1	EA	
2	PE070846	TOUCH CONTROL DISPLAY HARNESS	1	EA	

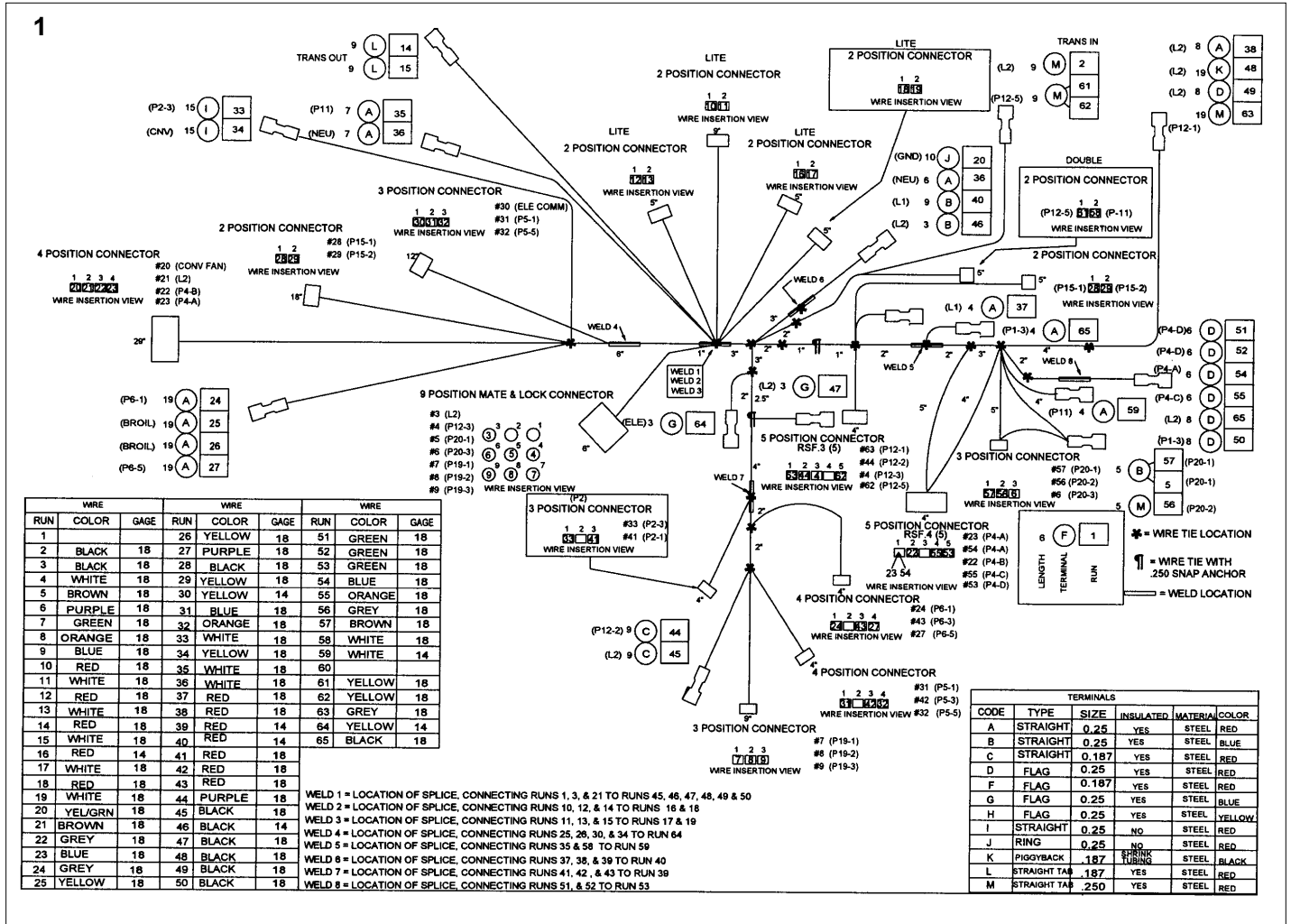
UNIT REAR





Item	Part No.	Name	Qty	Uom	NOTES
1	A20014052	WIRE SHIELD	1	EA	
2	A20010937	PANEL, REAR 27"	1	EA	NO LONGER AVAILABLE
3	A2009671	BRACKET, POWER CABLE	1	EA	
4	PD020060	10 X 1/2" (5/16)HEX WSHER HD.(T)A	22	EA	
5	PB040070	CONDUIT FITTING (90 DEG)	1	EA	
6	PB020071	CONDUIT - FLEXIBLE (48")	1	EA	
7	NOT REPLACEABLE	OVEN CAVITY ASSEMBLY	N/A	EA	
8	PB070301	27" BACK INSULATION	1	EA	NO LONGER AVAILABLE, Not available online / Call for pricing and availability
9	A10010907	COVER, BLOWER	1	EA	
10	A2009697	BRACKET, CONVECTION INSULATION	2	EA	
11	A2009666	AIR CHANNEL	1	EA	

UPPER CONTROL HARNESS





Item	Part No.	Name	Qty	Uom	NOTES
1	PE070742	UPPER CONTROL HARNESS	1	EA	



Appendix A:Pages Index

CAVITY INT ..... 1  
CONTROL AREA ..... 2  
DOOR ASSY ..... 3  
OVEN ELEC ..... 4  
OVEN EXTERIOR ..... 5  
SIMPLE HARNESSSES 1 ..... 6  
SIMPLE HARNESSSES 2 ..... 7  
TOUCH CONTROL DISPLAY HARNESS ..... 8  
TOUCH CONTROL KEYBOARD HARNESS ..... 9  
UNIT REAR ..... 10  
UPPER CONTROL HARNESS ..... 11





Appendix B:Parts Index

000238-000	2	A2009666	10
000268-000	3	A2009667	4
000594-000	3	A2009671	10
001501-000	3	A2009696	1
002007-000	2	A2009697	10
002457-000BK	2	C90014073BK	2
002457-000SS	2	C90014073WH	2
002457-000WH	2	E91012614	1
002458-000	2	E9107933	1
002534-000	2	E9107934	1
006071-000	3	E9109655	1
013250-000	4	G32012719AL	3
017736-000	3	G32012719ALBR	3
018607-000	4	G32012719BK	3
020403-000	1	G32012719BKBR	3
024040-000	1	G32012719BT	3
024737-000	1	G32012719BTBR	3
036047-000	2	G32012719BU	3
036796-2022	2	G32012719BUBR	3
041045-000	1	G32012719CB	3
A10010907	10	G32012719CBBR	3
A10010911	4	G32012719EP	3
A10014028	2	G32012719EPBR	3
A20010910	4	G32012719FG	3
A20010932	1	G32012719FGBR	3
A20010934	4	G32012719GG	3
A20010935	4	G32012719GGBR	3
A20010937	10	G32012719LE	3
A20010949	3	G32012719LEBR	3
A20012640	3	G32012719MJ	3
A20012641	3	G32012719MJBR	3
A20012649	4	G32012719SG	3
A20012650	5	G32012719SGBR	3
A20014021	1	G32012719SS	3
A20014044	1	G32012719SSBR	3
A20014046	4	G32012719VB	3
A20014047	4	G32012719VBBR	3
A20014052	10	G32012719WH	3
A2009622	5	G32012719WHBR	3
A2009641	1	G32014020	1
		G4005494	6



G4005496	6	PE010080	3
G4005497	6	PE030001PVD	3
G4005499	6	PE030178	3
G91010942	3	PE030178PVD	3
G91013597	1	PE040271	5
Not Replaceable	4	PE040272	5
PB020071	10	PE040275	5
PB040070	10	PE040276	5
PB060103	1	PE050206	1
PB060104	1	PE050208	4
PB070079	4	PE050233	4
PB070245	3	PE050250	4
PB070271	3	PE060093	3
PB070273	3	PE070147	4
PB070276	3	PE070733	7
PB070301	10	PE070734	7
PB070302	5	PE070735	7
PB070309	1	PE070738	7
PB070312	1	PE070739	6
PB070336	3	PE070742	11
PD020002	3, 5	PE070743	6
PD020004	2, 3, 4	PE070754	6
PD020010	4	PE070845	9
PD020013	2	PE070846	8, 9
PD020014	4, 5	PJ010047	1
PD020032	3	PJ010048	1
PD020055	1	PJ030043	2
PD020060	1, 2, 4, 10	PS500014AL	3
PD020063	1, 3	PS500014ALBR	3
PD020170	5	PS500014BK	3
PD020185	4	PS500014BKBR	3
PD020186	3	PS500014BT	3
PD020232	1	PS500014BTBR	3
PD030006	3	PS500014BU	3
PD030172	2	PS500014BUBR	3
PD040004	2	PS500014CB	3
PD040152	4	PS500014CBBR	3
PD040164	2	PS500014EP	3
PE010016	3	PS500014EPBR	3
PE010017	3	PS500014FG	3
PE010079	3	PS500014FGBR	3



PS500014GG ..... 3  
PS500014GGBR ..... 3  
PS500014LE ..... 3  
PS500014LEBR ..... 3  
PS500014MJ ..... 3  
PS500014MJBR ..... 3  
PS500014SG ..... 3  
PS500014SGBR ..... 3  
PS500014SS ..... 3  
PS500014SSBR ..... 3  
PS500014VB ..... 3  
PS500014VBBR ..... 3  
PS500014WH ..... 3  
PS500014WHBR ..... 3