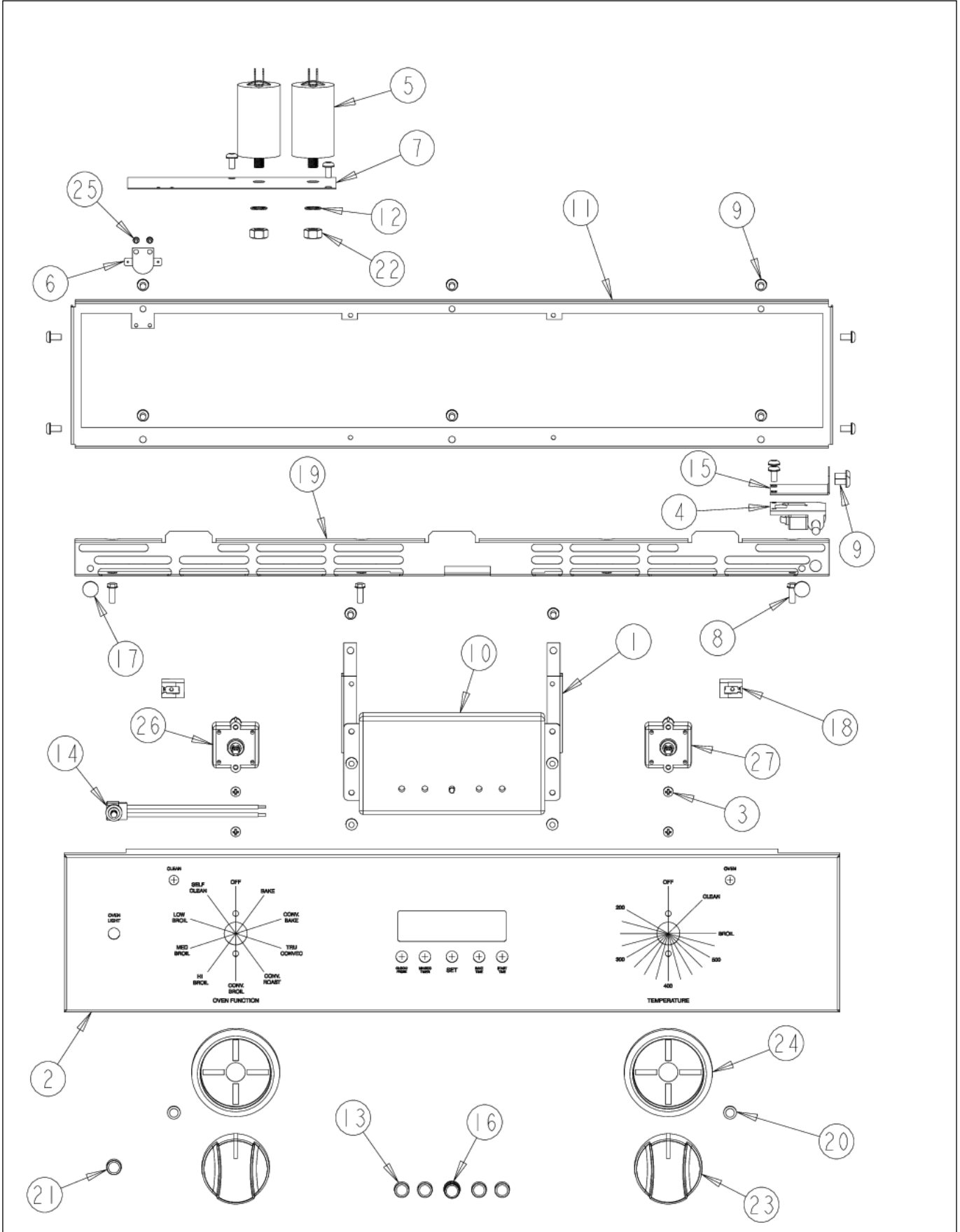


**VESO527**

CONTROL AREA .....	1
DOOR ASSEMBLY .....	2
LOWER UNIT AREA .....	3
MAIN OVEN CAVITY - EXTERIOR .....	4
MAIN OVEN CAVITY - INTERIOR .....	5
REAR UNIT AREA .....	6
SIMPLE HARNESSSES 1 .....	7
SIMPLE HARNESSSES 2 .....	8
UPPER CONTROL HARNESS .....	9
UPPER OVEN CAVITY AREA .....	10
UPPER UNIT AREA AFTER 07-20-06 .....	11
UPPER UNIT AREA BEFORE 07-20-06 .....	12
Appendix A:Pages Index .....	A
Appendix B:Parts Index .....	B

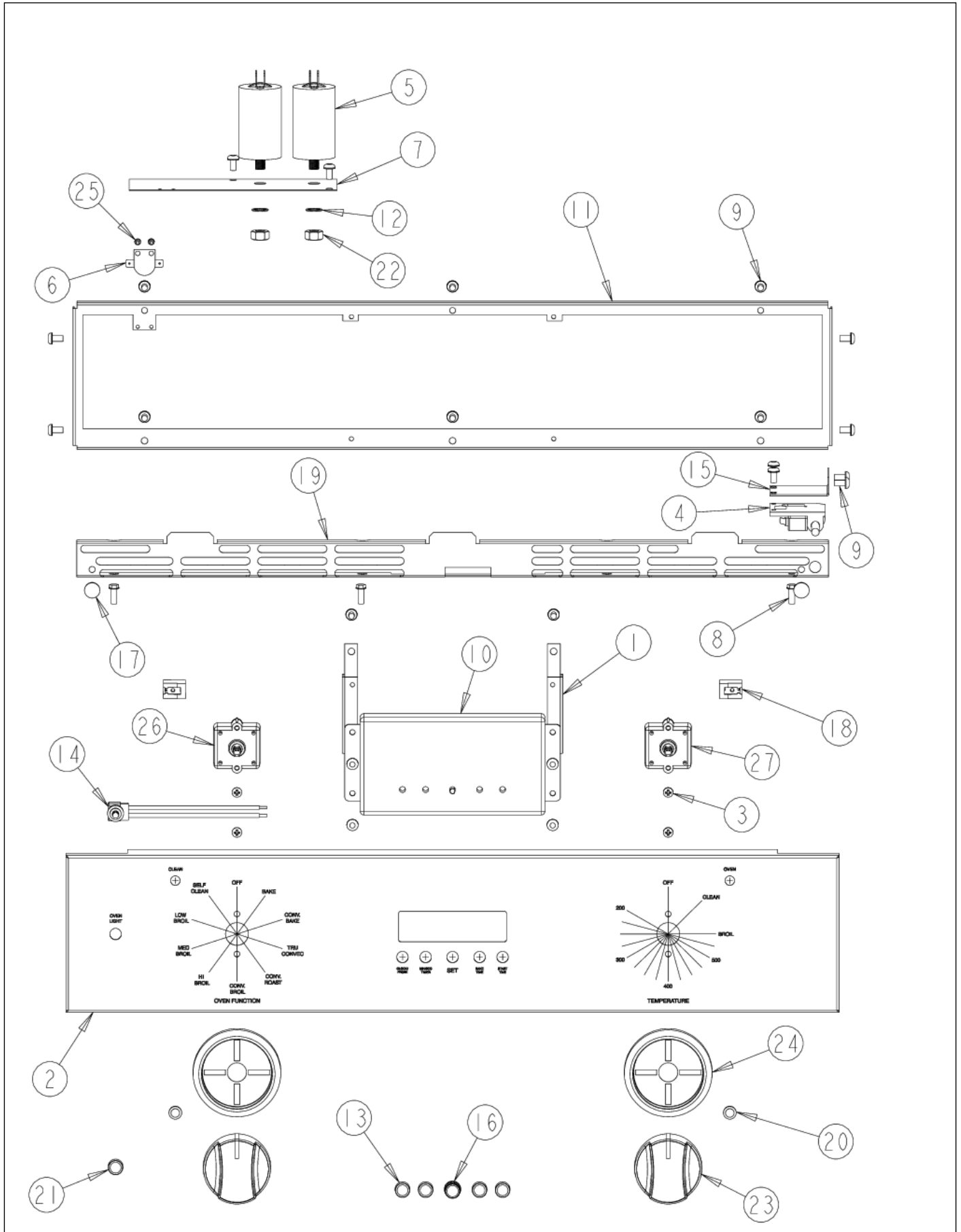


CONTROL AREA





Item	Part No.	Name	Qty	Uom	NOTES
1	A20014063	CLOCK BRACKET	1	EA	
2	B92014065	27" SINGLE PROF. PREMIERE CONTROL PNL	1	EA	
Not Shown	C92014065BK	27" SINGLE PROF. PREMIERE CONTROL PNL *BK*	1	EA	
Not Shown	C92014065WH	CONTROL PANEL - WH (AFTER 06/12/06 C-0098)	1	EA	Not available online / Call for pricing and availability
3	PD020261	' #8-32X1/2" PH PANHEAD MACH. SCREW	1	EA	
4	PE050208	DOOR SWITCH	1	EA	
5	036047-000	CAPACITOR, CONV MOTOR, INTL	1	EA	
6	G50015481	PRO HI-LIMIT SERVICE KIT	1	EA	
Not Shown	NOTE	(BEFORE 07-17-06)		EA	
Not Shown	PJ030043	Bi Metal Thermostat - 150 Degrees	1	EA	
Not Shown	NOTE	(AFTER 07-17-06)		EA	
7	A10014028	2 CAPACITOR BRACKET	1	EA	
<p>Comments for Part Num. A10014028</p> <p>service@priorityappliance.com on Jan 17, 2019</p> <p>The capacitors are part # 036047-000, found by looking up a VEDO130. Confirmed - they're the same capacitor.</p>					
8	PD020060	10 X 1/2" (5/16)HEX WSHER HD.(T)A	1	EA	
9	PD020004	10X3/8PH.HD.TYPE 25 REPL PD040125	1	EA	
10	PE050214	CLOCK (DIGITAL 230V 50/60HZ)	1	EA	
11	A20014061	27" CONTROL MTG PANEL	1	EA	NO LONGER AVAILABLE
12	PD040164	5/16 INTERNAL TOOTH LOCK WASHER TYPE A	1	EA	
13	PB010306	PROF. CLOCK BUTTON	1	EA	
Not Shown	PB010310	PROF. CLOCK BUTTON *WH*	1	EA	
14	G40015469	LIGHT SWITCH ASSEMBLY	1	EA	
15	A20012649	DOOR SWITCH BRACKET	1	EA	





Item	Part No.	Name	Qty	Uom	NOTES
16	PB010307	PROF. CLOCK KNOB	1	EA	
Not Shown	PB010311	PROF. CLOCK KNOB *WH*	1	EA	
17	PD040004	GROMMET BUMPER	1	EA	
18	PE050072	LENS OPENING	1	EA	
19	C90014073BK	Inlet Grille - BK	1	EA	
20	PE050023	OVEN IND. LIGHT (LENS & BEZEL)	1	EA	
21	PB010308	PROF. OVEN LIGHT BUTTON	1	EA	NO LONGER AVAILABLE
Not Shown	PB010312	PROF. OVEN LIGHT BUTTON *WH*	1	EA	NO LONGER AVAILABLE
22	PD030172	M8 X 1.25MM NUT	1	EA	
23	PB010305	PROF. SELECTOR/THERMOSTAT KNOB	1	EA	
Not Shown	PB010309	PROF. SELECTOR/THERMOSTAT KNOB *WH*	1	EA	
24	050172-000	BEZEL, KNOB	1	EA	
Not Shown	PB010304PVD	RESTYLE KNOB BEZEL, BR	1	EA	
25	PD020013	TYPE "AB" #6 X 3/8 PH PAN HD. SMS	1	EA	
26	PJ030033	SELECTOR (10 POS)	1	EA	
27	PJ030035	THERMOSTAT	1	EA	

Comments for Part Num. PJ030035

parts@lvdistributes.com on Feb 7, 2018

this is not the correct part for this range it should be a 003225-000

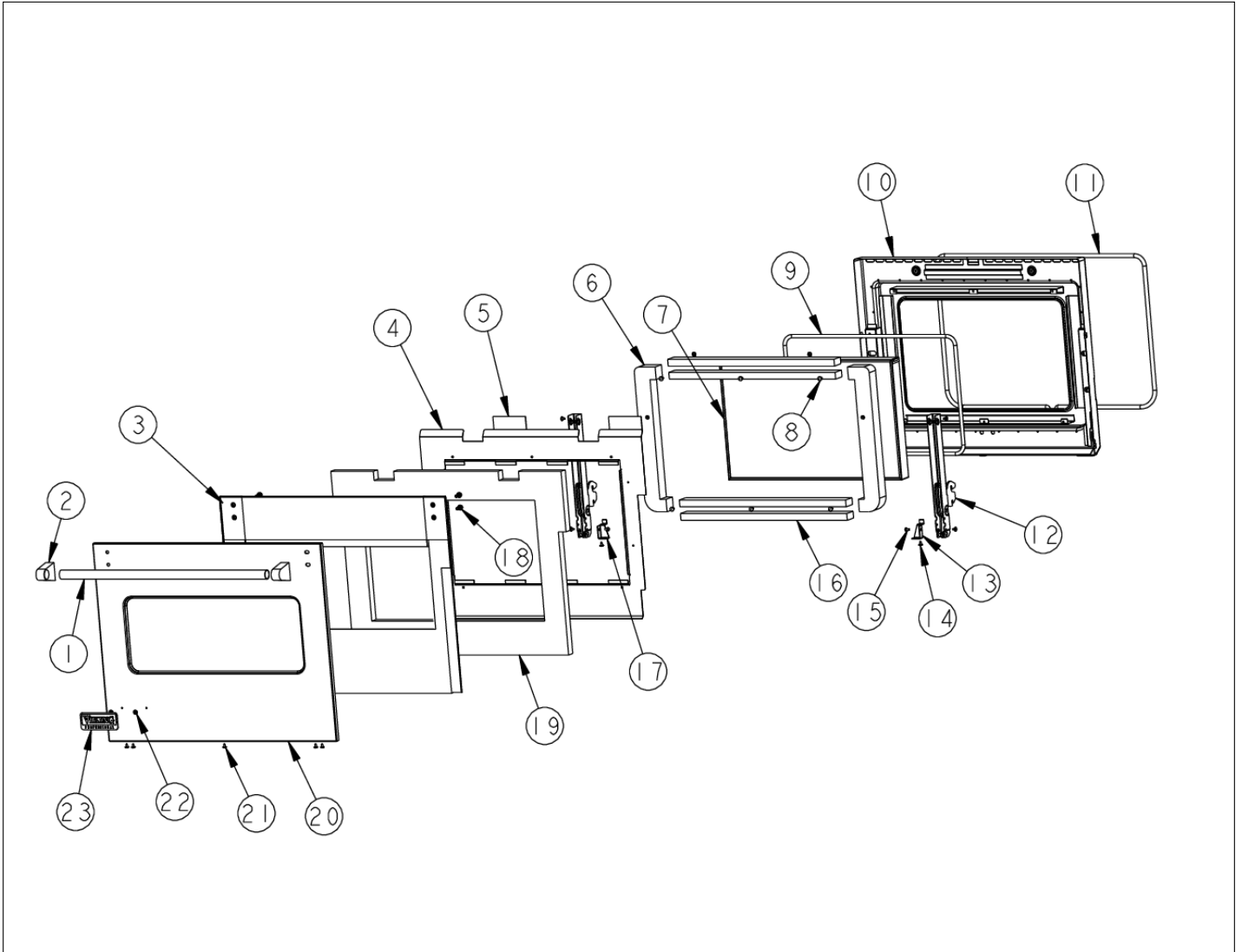
Reply by JREXEC02@AOL.COM on Feb 27, 2018

003225-000 is an Induction Control.

PJ030035 is the red colored thermostat for the Gas Range

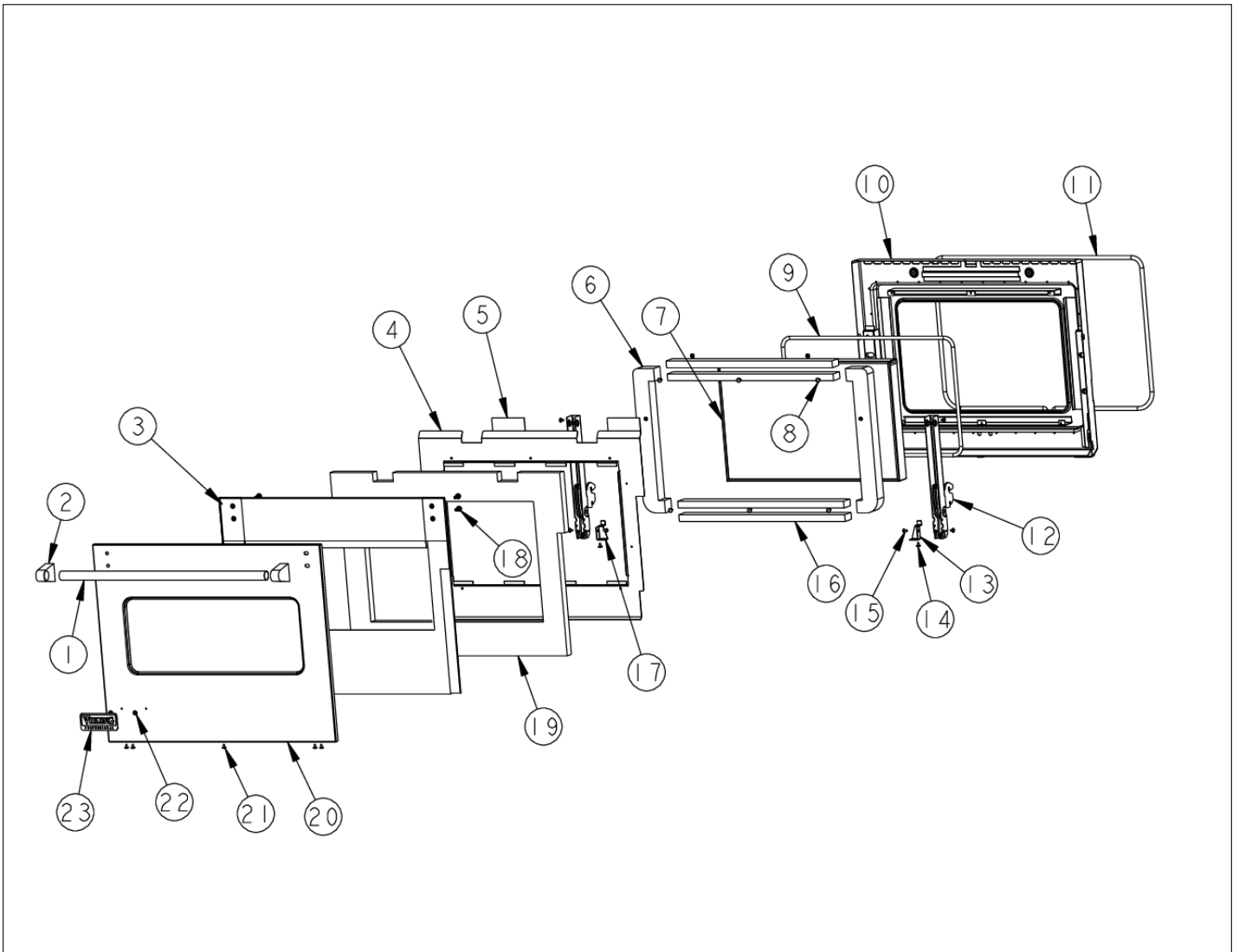
\*\*\*\*\*

DOOR ASSEMBLY



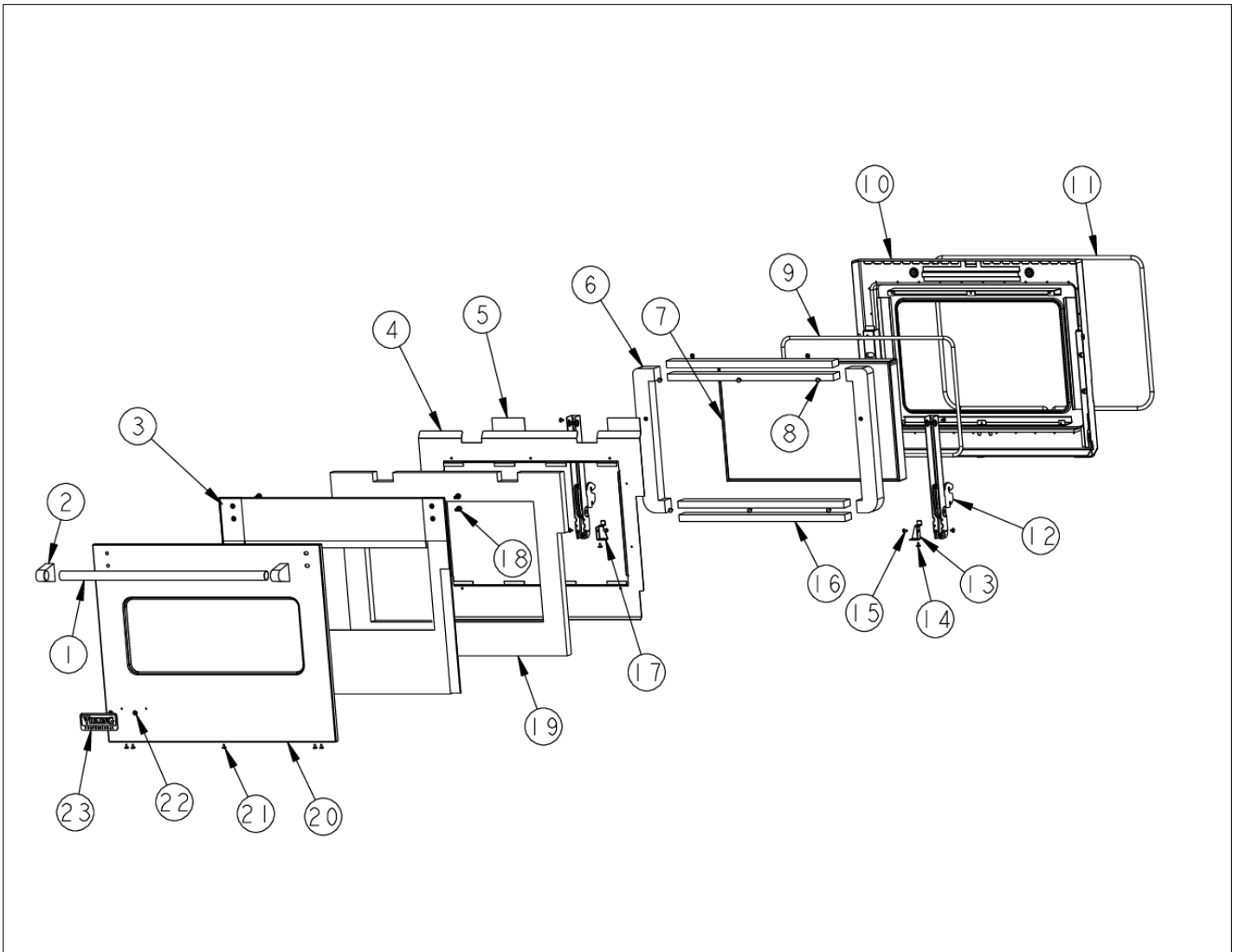


Item	Part No.	Name	Qty	Uom	NOTES
1	PE030178	27" PROF. DOOR HANDLE	1	EA	
Not Shown	PE030178PVD	27" PROF. DOOR HANDLE *PVD*	1	EA	Not available online / Call for pricing and availability
2	000268-000	HANDLE ENDCAP	1	EA	
Not Shown	PE030001PVD	END CAP DOOR HANDLE *BR	1	EA	
3	001501-000	Pro 27" Insulation Retainer Kit (After 7-17-06)	1	EA	NO LONGER AVAILABLE
Not Shown	001503-000	PRO 27" INSULATION RETAINER (BEFORE 7/17/06)	1	EA	NO LONGER AVAILABLE, Not available online / Call for pricing and availability
4	A20010949	PANEL, INSULATION, INNNER DOOR	1	EA	
5	PB070336	Door Bracket Insulation	1	EA	
6	PB070271	DOOR PLUG INSULATION	1	EA	
7	PE060093	27" WINDOW PACK	1	EA	
8	PD020002	10 X 1/2 PH.TR.HD.SMS.	1	EA	
9	000594-000	BLACK FIBERGLASS ROPE 3/8	1	EA	
10	G91010942	DOOR LINER PORC.	1	EA	
Comments for Part Num. G91010942  gboltz@VikingRange.com on Jun 7, 2016 Correct part number is G91019042BK					
11	PB070245	27" DOOR GASKET	1	EA	
12	006071-000	DOOR HINGE	1	EA	
13	A20012640	HINGE SUPPORT RH	1	EA	
14	PD020063	SCREW-#8(A) X 3/8"PH WFR HD/BK OXID	1	EA	
15	PD020004	10X3/8PH.HD.TYPE 25 REPL PD040125	1	EA	
16	PB070273	Window Pack Insulation	1	EA	
17	A20012641	HINGE SUPPORT LH	1	EA	
18	PD020186	1/4"-20 X 3/4" HEX WASHER HEAD MS	1	EA	Not available online / Call for pricing and availability

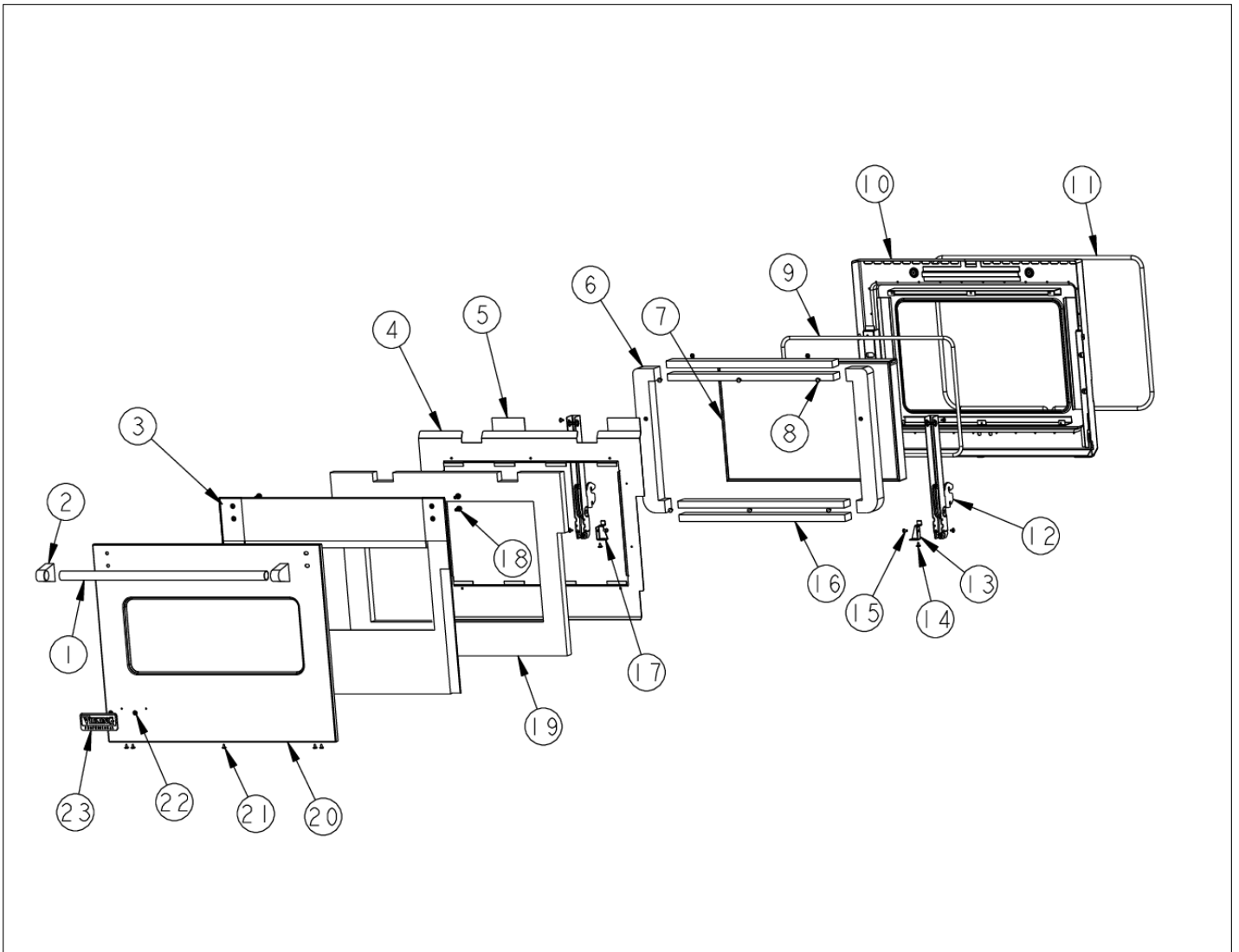




Item	Part No.	Name	Qty	Uom	NOTES
19	PB020276	TUBE DRAIN 3/8 X 46 AR 36 30	1	EA	NO LONGER AVAILABLE, Not available online / Call for pricing and availability
20	PS500014AL	27" PRO DOOR SKIN SERVICE KIT W/LOGO AFTER 07/17/06 - AL AL	1	EA	NO LONGER AVAILABLE, Not available online / Call for pricing and availability
Not Shown	PS500014ALBR	27" PRO DOOR SKIN SERVICE KIT W/LOGO AFTER 07/17/06 - AL/BR	1	EA	NO LONGER AVAILABLE
Not Shown	PS500014BK	27" PRO DOOR SKIN SERVICE KIT W/LOGO AFTER 07/17/06 - BK	1	EA	Not available online / Call for pricing and availability
Not Shown	PS500014BKBR	27" PRO DOOR SKIN SERVICE KIT W/LOGO AFTER 07/17/06 - BK/BR	1	EA	NO LONGER AVAILABLE, Not available online / Call for pricing and availability
Not Shown	PS500014BT	27" PRO DOOR SKIN SERVICE KIT W/LOGO AFTER 07/17/06 - BT	1	EA	
Not Shown	PS500014BTBR	27" PRO DOOR SKIN SERVICE KIT W/LOGO AFTER 07/17/06 - BT/BR	1	EA	NO LONGER AVAILABLE, Not available online / Call for pricing and availability
Not Shown	PS500014BU	27" PRO DOOR SKIN SERVICE KIT W/LOGO AFTER 07/17/06 - BU	1	EA	
Not Shown	PS500014BUBR	27" PRO DOOR SKIN SERVICE KIT W/LOGO AFTER 07/17/06 - BU/BR	1	EA	NO LONGER AVAILABLE, Not available online / Call for pricing and availability
Not Shown	PS500014CB	27" PRO DOOR SKIN SERVICE KIT W/LOGO AFTER 07/17/06 - CB	1	EA	NO LONGER AVAILABLE, Not available online / Call for pricing and availability
Not Shown	PS500014CBBR	27" PRO DOOR SKIN SERVICE KIT W/LOGO AFTER 07/17/06 - CB/BR	1	EA	NO LONGER AVAILABLE, Not available online / Call for pricing and availability
Not Shown	PS500014EP	27" PRO DOOR SKIN SERVICE KIT W/LOGO AFTER 07/17/06 - EP	1	EA	NO LONGER AVAILABLE, Not available online / Call for pricing and availability

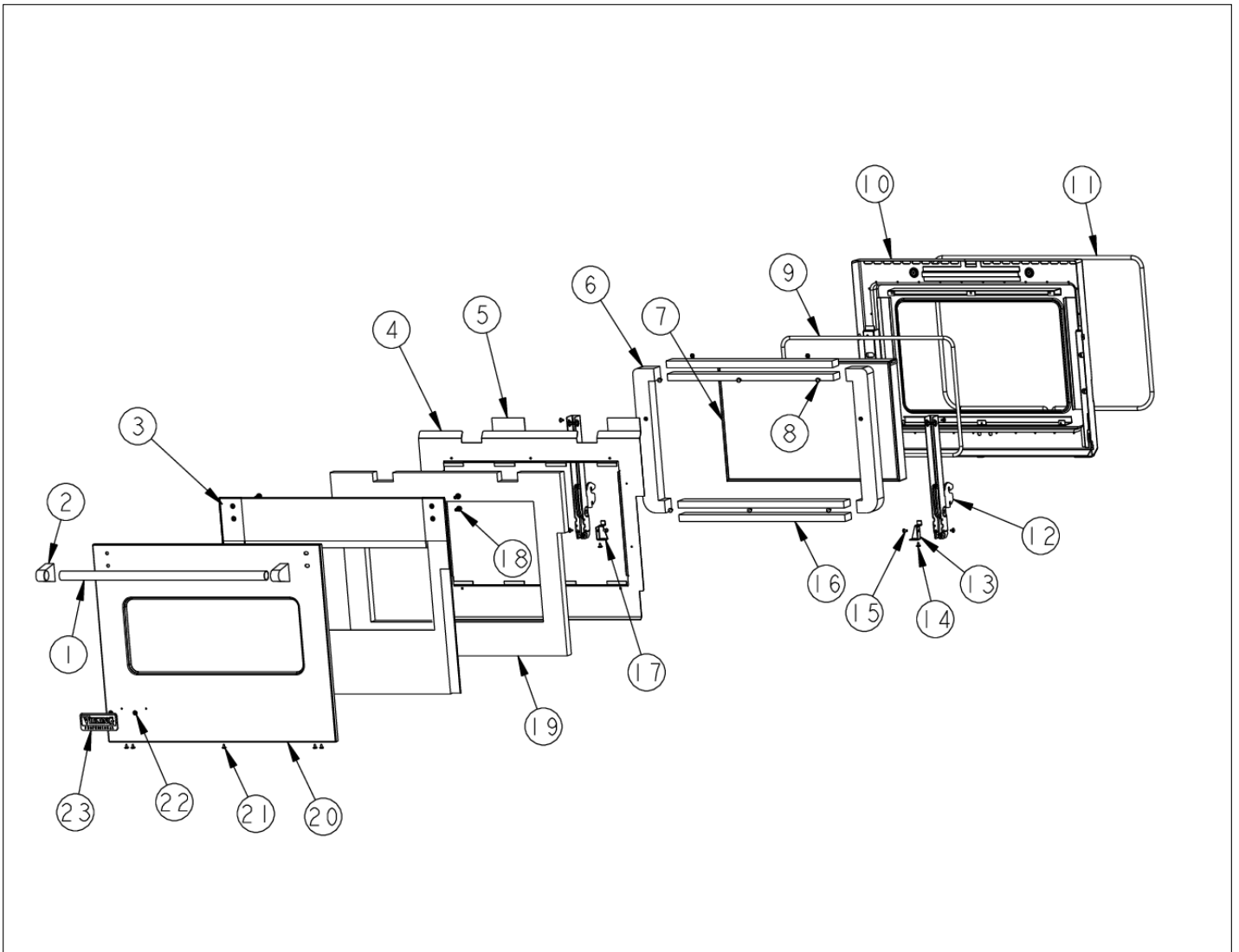


Item	Part No.	Name	Qty	Uom	NOTES
Not Shown	PS500014EPBR	27" PRO DOOR SKIN SERVICE KIT W/LOGO AFTER 07/17/06-EP/BR	1	EA	NO LONGER AVAILABLE, Not available online / Call for pricing and availability
Not Shown	PS500014FG	27" PRO DOOR SKIN SERVICE KIT W/LOGO AFTER 07/17/06 - FG	1	EA	NO LONGER AVAILABLE, Not available online / Call for pricing and availability
Not Shown	PS500014FGBR	27" PRO DOOR SKIN SERVICE KIT W/LOGO AFTER 07/17/06-FG/BR	1	EA	NO LONGER AVAILABLE, Not available online / Call for pricing and availability
Not Shown	PS500014GG	27" PRO DOOR SKIN SERVICE KIT W/LOGO AFTER 07/17/06 - GG	1	EA	NO LONGER AVAILABLE, Not available online / Call for pricing and availability
Not Shown	PS500014GGBR	27" PRO DOOR SKIN SERVICE KIT W/LOGO AFTER 07/17/06-GG/BR	1	EA	NO LONGER AVAILABLE, Not available online / Call for pricing and availability
Not Shown	PS500014LE	27" PRO DOOR SKIN SERVICE KIT W/LOGO AFTER 07/17/06 - LE	1	EA	
Not Shown	PS500014LEBR	27" PRO DOOR SKIN SERVICE KIT W/LOGO AFTER 07/17/06-LE/BR	1	EA	NO LONGER AVAILABLE, Not available online / Call for pricing and availability
Not Shown	PS500014MJ	27" PRO DOOR SKIN SERVICE KIT W/LOGO AFTER 07/17/06 - MJ	1	EA	NO LONGER AVAILABLE, Not available online / Call for pricing and availability
Not Shown	PS500014MJBR	27" PRO DOOR SKIN SERVICE KIT W/LOGO AFTER 07/17/06-MJ/BR	1	EA	NO LONGER AVAILABLE, Not available online / Call for pricing and availability
Not Shown	PS500014SG	27" PRO DOOR SKIN SERVICE KIT W/LOGO AFTER 07/17/06 - SG	1	EA	NO LONGER AVAILABLE, Not available online / Call for pricing and availability
Not Shown	PS500014SGBR	27" PRO DOOR SKIN SERVICE KIT W/LOGO AFTER 07/17/06-SG/BR	1	EA	NO LONGER AVAILABLE, Not available online / Call for pricing and availability



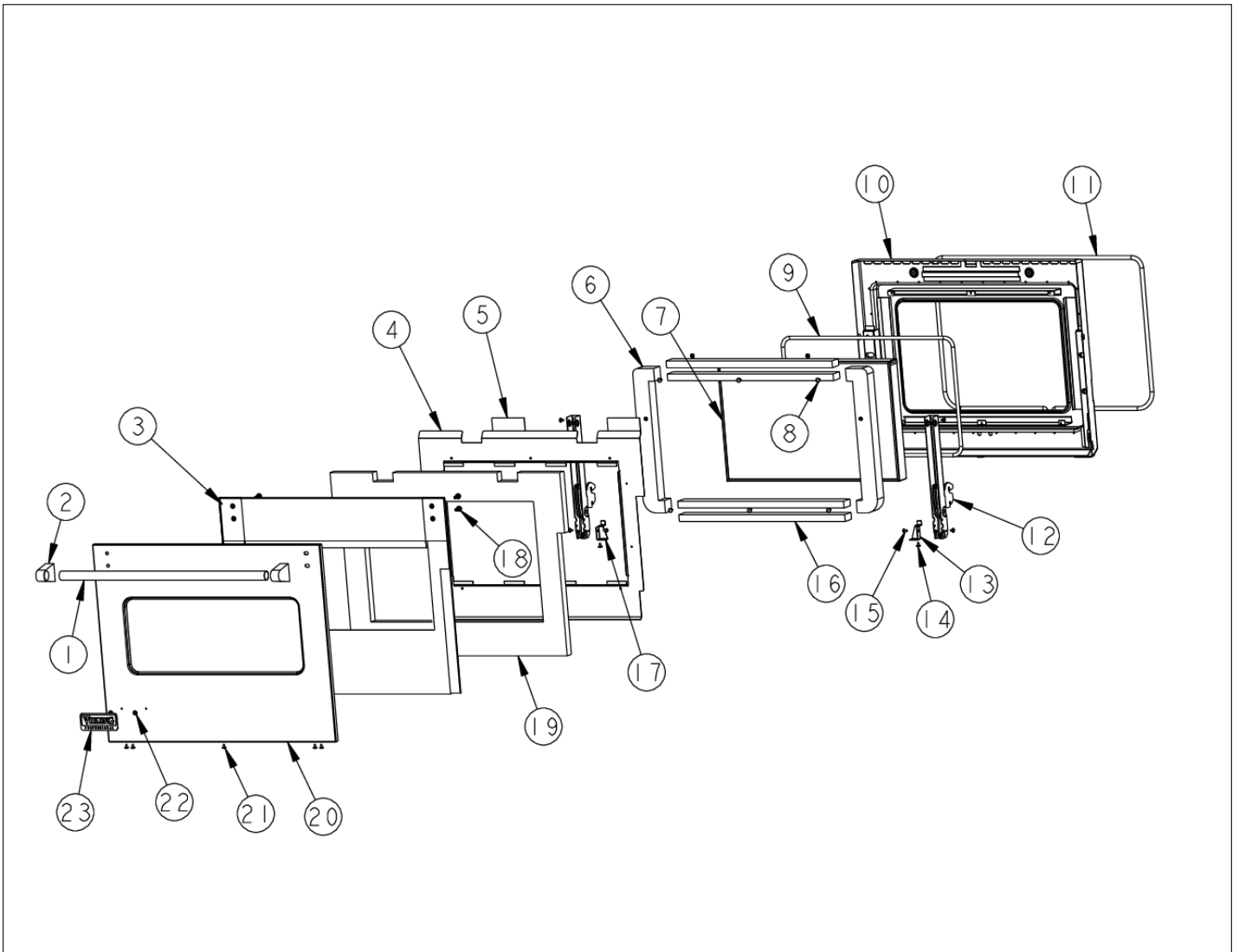


Item	Part No.	Name	Qty	Uom	NOTES
Not Shown	PS500014SS	27" PRO DOOR SKIN SERVICE KIT W/LOGO AFTER 07/17/06 - SS	1	EA	
Not Shown	PS500014SSBR	27" PRO DOOR SKIN SERVICE KIT W/LOGO AFTER 07/17/06-SS/BR	1	EA	NO LONGER AVAILABLE, Not available online / Call for pricing and availability
Not Shown	PS500014VB	27" PRO DOOR SKIN SERVICE KIT W/LOGO AFTER 07/17/06 - VB	1	EA	NO LONGER AVAILABLE, Not available online / Call for pricing and availability
Not Shown	PS500014VBBR	27" PRO DOOR SKIN SERVICE KIT W/LOGO AFTER 07/17/06 - VB/BR	1	EA	NO LONGER AVAILABLE, Not available online / Call for pricing and availability
Not Shown	PS500014WH	27" PRO DOOR SKIN SERVICE KIT W/LOGO AFTER 07/17/06 - WH	1	EA	
Not Shown	PS500014WHBR	27" PRO DOOR SKIN SERVICE KIT W/LOGO AFTER 07/17/06 - WH/BR	1	EA	NO LONGER AVAILABLE
Not Shown	PS500018AL	27" PRO DOOR SKIN SERVICE KIT W/LOGO BEFORE 07/17/06 - AL	1	EA	NO LONGER AVAILABLE, Not available online / Call for pricing and availability
Not Shown	PS500018ALBR	27" PRO DOOR SKIN SRV KIT W/LOGO BEFORE 07/17/06 - AL/BR	1	EA	NO LONGER AVAILABLE, Not available online / Call for pricing and availability
Not Shown	PS500018BK	27" PRO DOOR SKIN SRV KIT W/LOGO BEFORE 07/17/06 - BK	1	EA	NO LONGER AVAILABLE
Not Shown	PS500018BKBR	27" PRO DOOR SKIN SRV KIT W/LOGO BEFORE 07/17/06 - BK/BR	1	EA	NO LONGER AVAILABLE, Not available online / Call for pricing and availability
Not Shown	PS500018BT	27" PRO DOOR SKIN SERVICE KIT W/LOGO BEFORE 07/17/06 - BT	1	EA	NO LONGER AVAILABLE, Not available online / Call for pricing and availability
Not Shown	PS500018BTBR	27" PRO DOOR SKIN SERVICE KIT W/LOGO BEFORE 07/17/06 - BT/BR	1	EA	NO LONGER AVAILABLE, Not available online / Call for pricing and availability

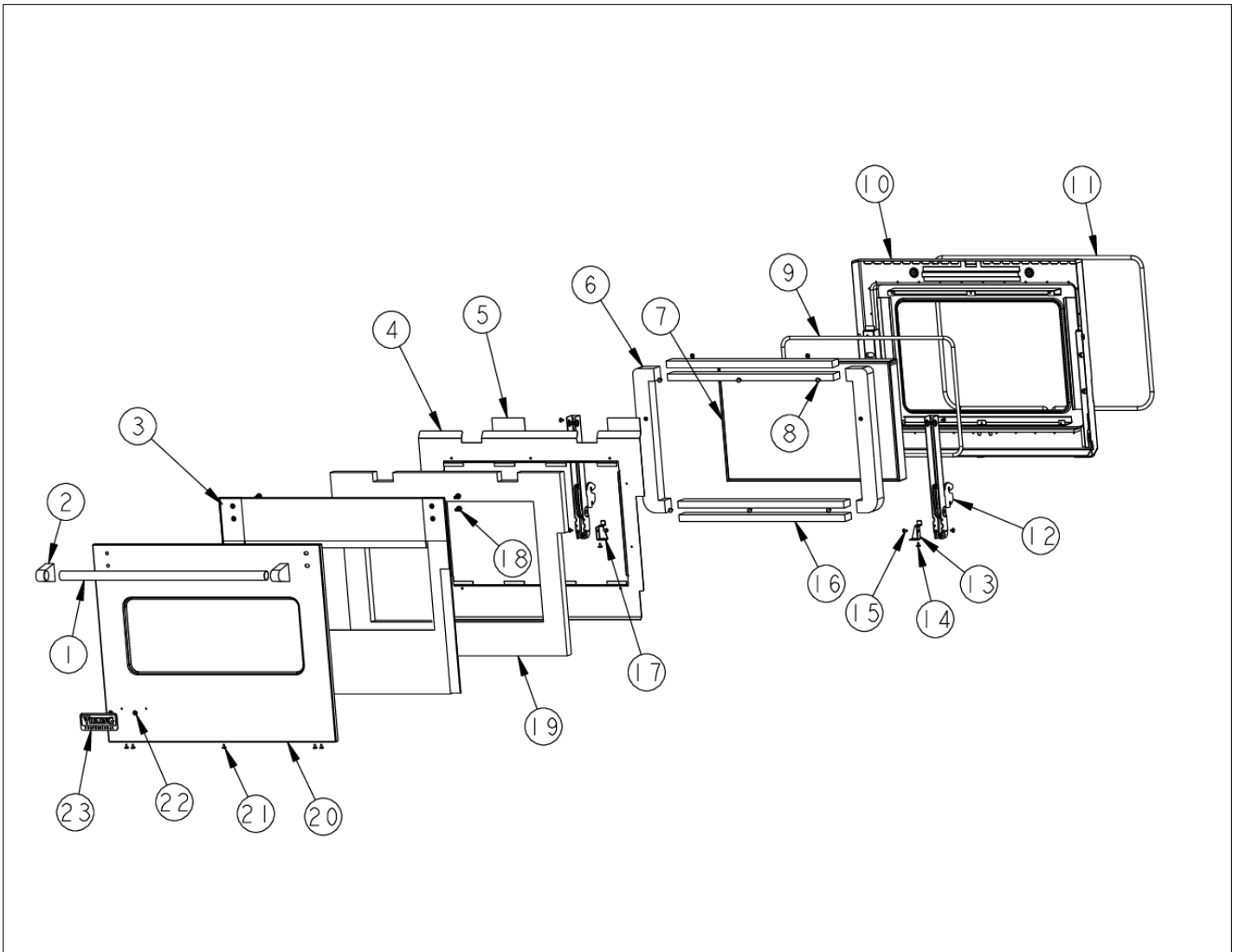




Item	Part No.	Name	Qty	Uom	NOTES
Not Shown	PS500018BU	27" PRO DOOR SKIN SERVICE KIT W/LOGO BEFORE 07/17/06 - BU	1	EA	NO LONGER AVAILABLE, Not available online / Call for pricing and availability
Not Shown	PS500018BUBR	27" PRO DOOR SKIN SERVICE KIT W/LOGO BEFORE 07/17/06 - BU/BR	1	EA	NO LONGER AVAILABLE, Not available online / Call for pricing and availability
Not Shown	PS500018CB	27" PRO DOOR SKIN SERVICE KIT W/LOGO BEFORE 07/17/06 - CB	1	EA	NO LONGER AVAILABLE, Not available online / Call for pricing and availability
Not Shown	PS500018CBBR	27" PRO DOOR SKIN SERVICE KIT W/LOGO BEFORE 07/17/06 - CB/BR	1	EA	NO LONGER AVAILABLE, Not available online / Call for pricing and availability
Not Shown	PS500018EP	27" PRO DOOR SKIN SERVICE KIT W/LOGO BEFORE 07/17/06 - EP	1	EA	NO LONGER AVAILABLE, Not available online / Call for pricing and availability
Not Shown	PS500018EPBR	27" PRO DOOR SKIN SERVICE KIT W/LOGO BEFORE 07/17/06 - EP/BR	1	EA	NO LONGER AVAILABLE, Not available online / Call for pricing and availability
Not Shown	PS500018FG	27" PRO DOOR SKIN SERVICE KIT W/LOGO BEFORE 07/17/06 - FG	1	EA	NO LONGER AVAILABLE, Not available online / Call for pricing and availability
Not Shown	PS500018FGBR	27" PRO DOOR SKIN SERVICE KIT W/LOGO BEFORE 07/17/06 - FG/BR	1	EA	NO LONGER AVAILABLE, Not available online / Call for pricing and availability
Not Shown	PS500018GG	27" PRO DOOR SKIN SERVICE KIT W/LOGO BEFORE 07/17/06 - GG	1	EA	NO LONGER AVAILABLE, Not available online / Call for pricing and availability
Not Shown	PS500018GGBR	27" PRO DOOR SKIN SERVICE KIT W/LOGO BEFORE 07/17/06 - GG/BR	1	EA	NO LONGER AVAILABLE, Not available online / Call for pricing and availability
Not Shown	PS500018LE	27" PRO DOOR SKIN SERVICE KIT W/LOGO BEFORE 07/17/06 - LE	1	EA	NO LONGER AVAILABLE, Not available online / Call for pricing and availability

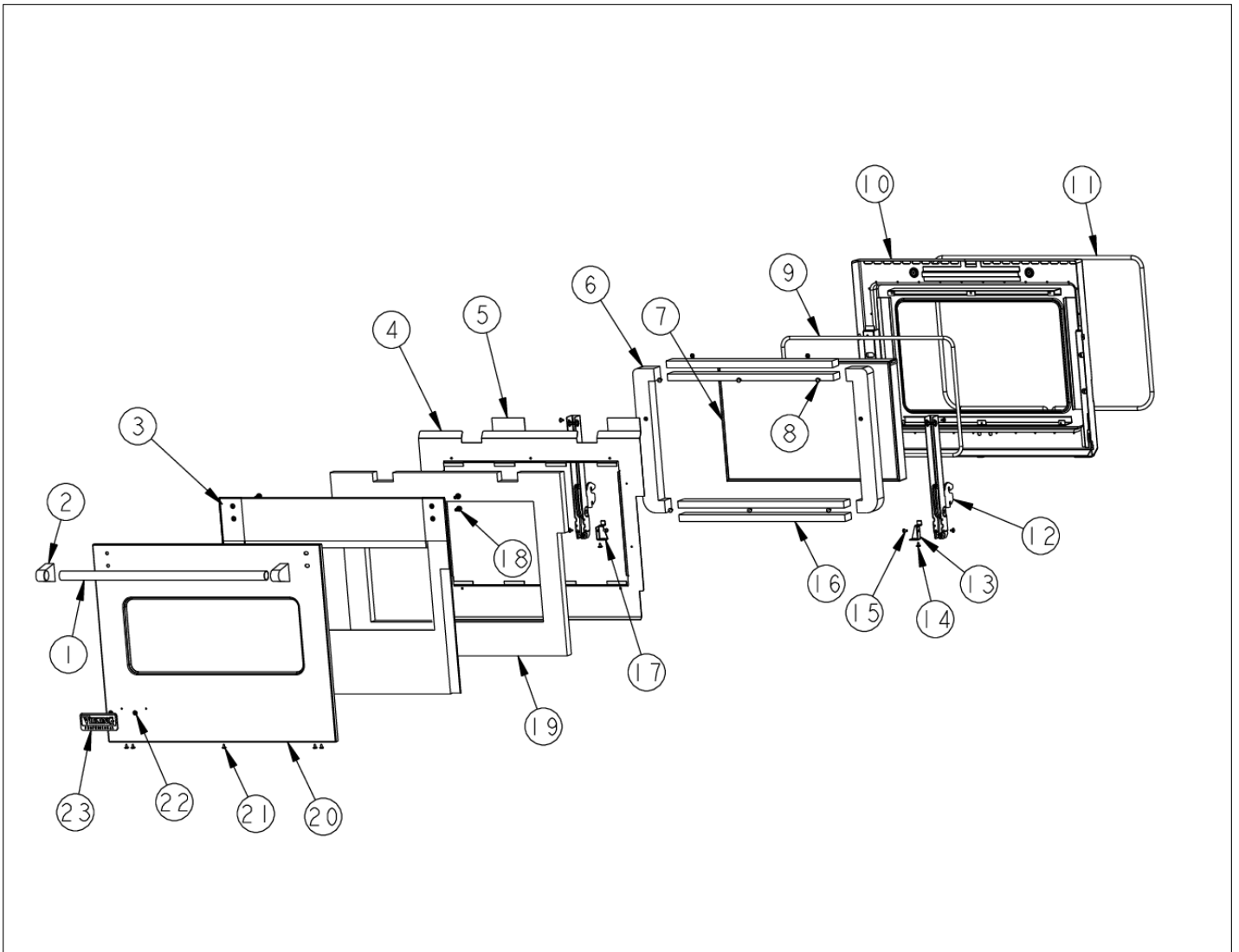


Item	Part No.	Name	Qty	Uom	NOTES
Not Shown	PS500018LEBR	27" PRO DOOR SKIN SERVICE KIT W/LOGO BEFORE 07/17/06 - LE/BR	1	EA	NO LONGER AVAILABLE, Not available online / Call for pricing and availability
Not Shown	PS500018MJ	27" PRO DOOR SKIN SERVICE KIT W/LOGO BEFORE 07/17/06 - MJ	1	EA	NO LONGER AVAILABLE, Not available online / Call for pricing and availability
Not Shown	PS500018MJBR	27" PRO DOOR SKIN SERVICE KIT W/LOGO BEFORE 07/17/06 - MJ/BR	1	EA	NO LONGER AVAILABLE, Not available online / Call for pricing and availability
Not Shown	PS500018SG	27" PRO DOOR SKIN SERVICE KIT W/LOGO BEFORE 07/17/06 - SG	1	EA	NO LONGER AVAILABLE, Not available online / Call for pricing and availability
Not Shown	PS500018SGBR	27" PRO DOOR SKIN SERVICE KIT W/LOGO BEFORE 07/17/06 - SG/BR	1	EA	NO LONGER AVAILABLE, Not available online / Call for pricing and availability
Not Shown	PS500018SS	27" PRO DOOR SKIN SERVICE KIT W/LOGO BEFORE 07/17/06 - SS	1	EA	Not available online / Call for pricing and availability
Not Shown	PS500018SSBR	27" PRO DOOR SKIN SERVICE KIT W/LOGO BEFORE 07/17/06 - SS/BR	1	EA	NO LONGER AVAILABLE, Not available online / Call for pricing and availability
Not Shown	PS500018VB	27" PRO DOOR SKIN SERVICE KIT W/LOGO BEFORE 07/17/06 - VB	1	EA	NO LONGER AVAILABLE, Not available online / Call for pricing and availability
Not Shown	PS500018VBBR	27" PRO DOOR SKIN SERVICE KIT W/LOGO BEFORE 07/17/06 - VB/BR	1	EA	NO LONGER AVAILABLE, Not available online / Call for pricing and availability
Not Shown	PS500018WH	27" PRO DOOR SKIN SERVICE KIT W/LOGO BEFORE 07/17/06 - WH	1	EA	NO LONGER AVAILABLE
Not Shown	PS500018WHBR	27" PRO DOOR SKIN SERVICE KIT W/LOGO BEFORE 07/17/06 - WH/BR	1	EA	NO LONGER AVAILABLE, Not available online / Call for pricing and availability
21	PD020032	SRW-8(A)X3/8"PH.WFR HD 7/16DIA*NICL	1	EA	



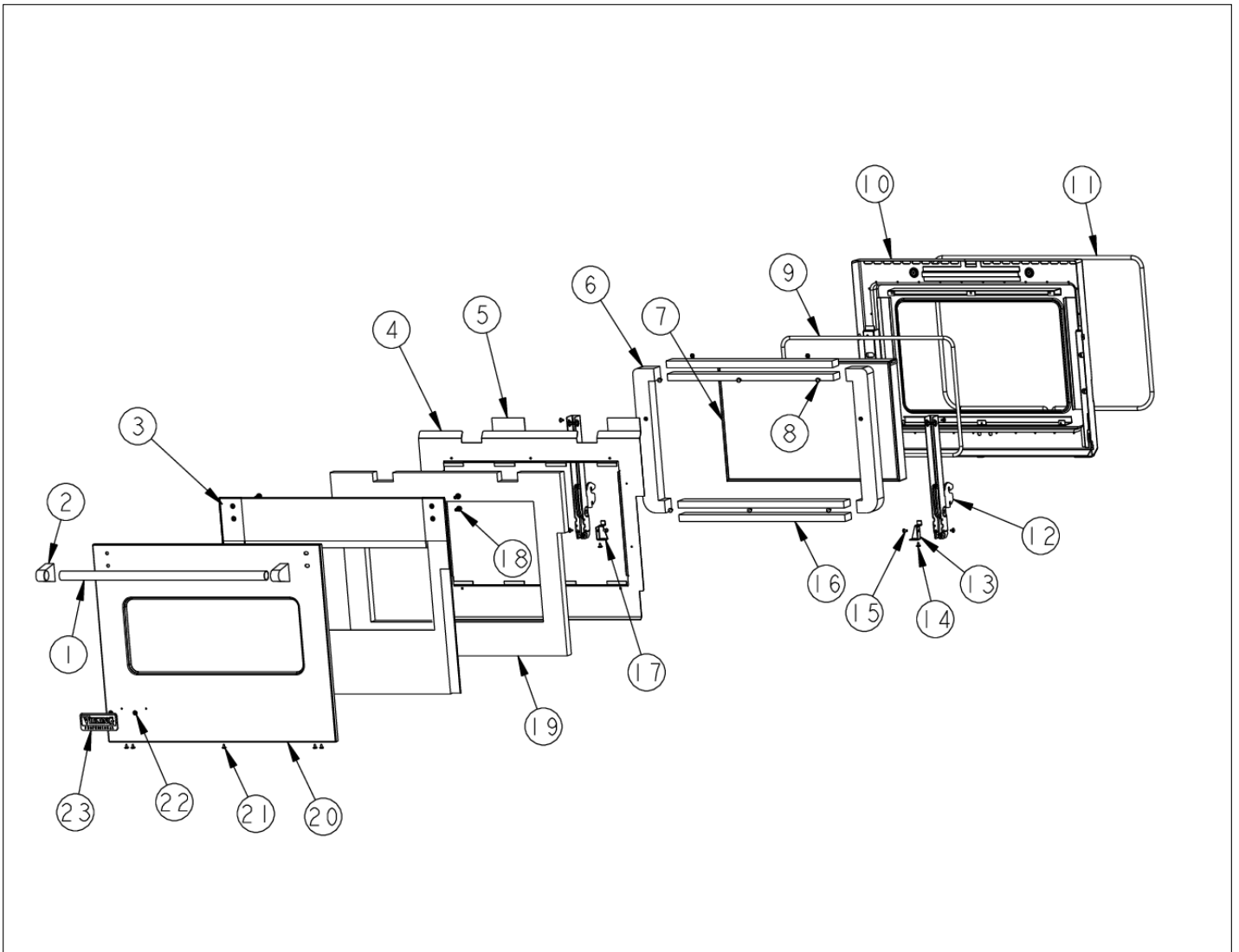


Item	Part No.	Name	Qty	Uom	NOTES
22	PD030006	CAPPED WASHER PAL NUT	1	EA	
23	PE010016	LOGO (ALL RANGES) *BK/CHR 307997W	1	EA	
Not Shown	PE010017	LOGO (VGSO,VEDO,VGDO,VUD) *WH/CHR	1	EA	
Not Shown	PE010079	4.5" LOGO/VIKING PROF *BK/BR	1	EA	
Not Shown	PE010080	4.5" LOGO/VIKING PROF *WH/BR	1	EA	
NI	G32012719AL	27" DOOR ASSY W/LOGO *AL*	1	EA	NO LONGER AVAILABLE, Not available online / Call for pricing and availability
Not Shown	G32012719ALBR	COMPLETE DOOR ASSY. - ALBR	1	EA	
Not Shown	G32012719BK	27" DOOR ASSY W/LOGO *BK*	1	EA	Not available online / Call for pricing and availability
Not Shown	G32012719BKBR	27" DOOR ASSY W/LOGO *BKBR*	1	EA	NO LONGER AVAILABLE, Not available online / Call for pricing and availability
Not Shown	G32012719BT	27" DOOR ASSY W/LOGO *BT*	1	EA	NO LONGER AVAILABLE
Not Shown	G32012719BTBR	27" DOOR ASSY W/LOGO *BTBR*	1	EA	NO LONGER AVAILABLE, Not available online / Call for pricing and availability
Not Shown	G32012719BU	27" DOOR ASSY W/LOGO *BU*	1	EA	NO LONGER AVAILABLE, Not available online / Call for pricing and availability
Not Shown	G32012719BUBR	27" DOOR ASSY W/LOGO *BUBR*	1	EA	NO LONGER AVAILABLE, Not available online / Call for pricing and availability
Not Shown	G32012719CB	27" DOOR ASSY W/LOGO *CB*	1	EA	NO LONGER AVAILABLE, Not available online / Call for pricing and availability





Item	Part No.	Name	Qty	Uom	NOTES
Not Shown	G32012719CBBR	27" DOOR ASSY W/LOGO *CBBR*	1	EA	NO LONGER AVAILABLE, Not available online / Call for pricing and availability
Not Shown	G32012719EP	27" DOOR ASSY W/LOGO *EP*	1	EA	NO LONGER AVAILABLE, Not available online / Call for pricing and availability
Not Shown	G32012719EPBR	27" DOOR ASSY W/LOGO *EPBR*	1	EA	NO LONGER AVAILABLE, Not available online / Call for pricing and availability
Not Shown	G32012719FG	27" DOOR ASSY W/LOGO *FG*	1	EA	NO LONGER AVAILABLE, Not available online / Call for pricing and availability
Not Shown	G32012719FGBR	27" DOOR ASSY W/LOGO *FGBR*	1	EA	NO LONGER AVAILABLE, Not available online / Call for pricing and availability
Not Shown	G32012719GG	27" DOOR ASSY W/LOGO *GG*	1	EA	NO LONGER AVAILABLE, Not available online / Call for pricing and availability
Not Shown	G32012719GGBR	27" DOOR ASSY W/LOGO *GGBR*	1	EA	
Not Shown	G32012719LE	27" DOOR ASSY W/LOGO *LE*	1	EA	NO LONGER AVAILABLE, Not available online / Call for pricing and availability
Not Shown	G32012719LEBR	27" DOOR ASSY W/LOGO *LEBR*	1	EA	NO LONGER AVAILABLE, Not available online / Call for pricing and availability
Not Shown	G32012719MJ	27" DOOR ASSY W/LOGO *MJ*	1	EA	NO LONGER AVAILABLE, Not available online / Call for pricing and availability
Not Shown	G32012719MJBR	27" DOOR ASSY W/LOGO *MJBR*	1	EA	NO LONGER AVAILABLE, Not available online / Call for pricing and availability

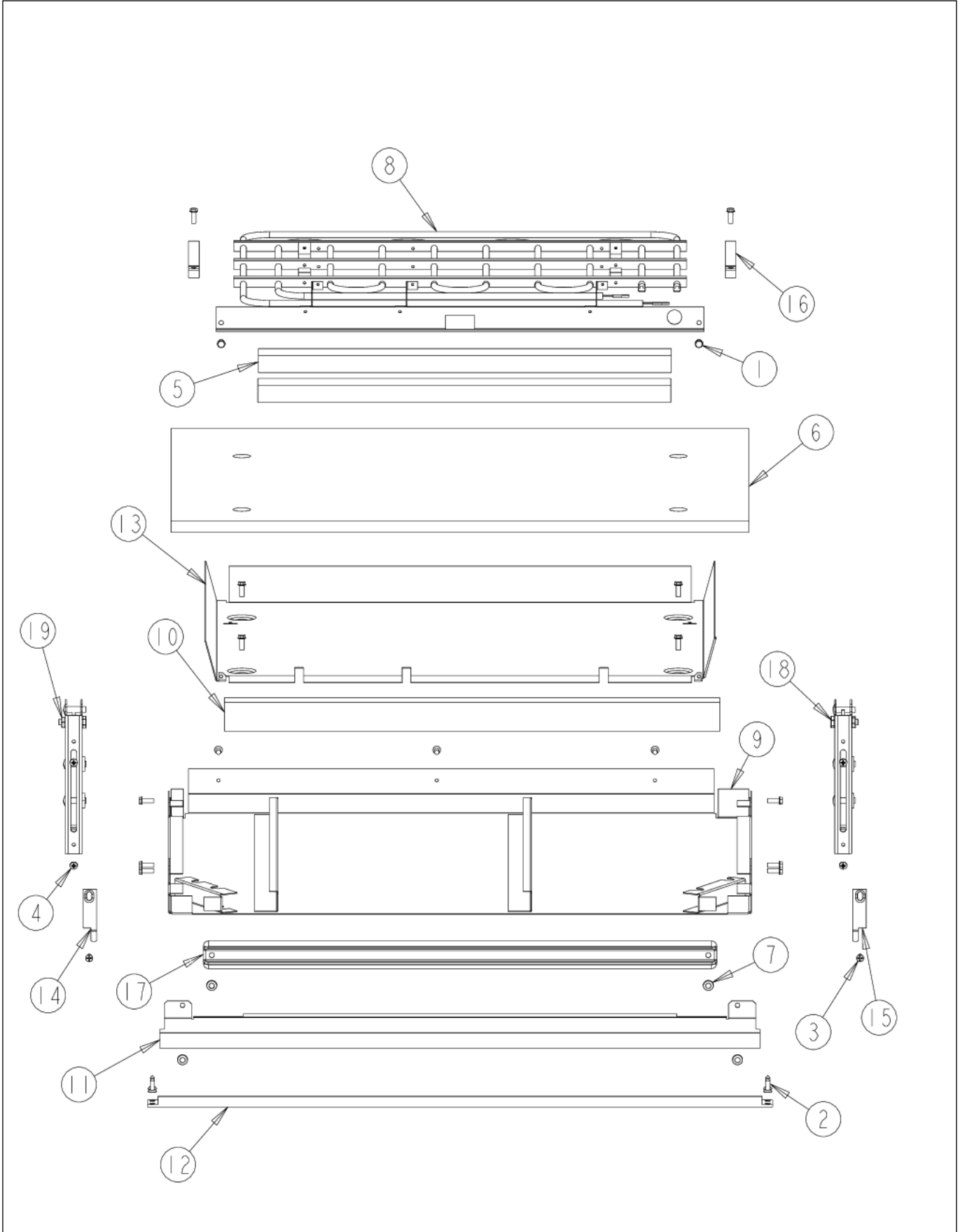






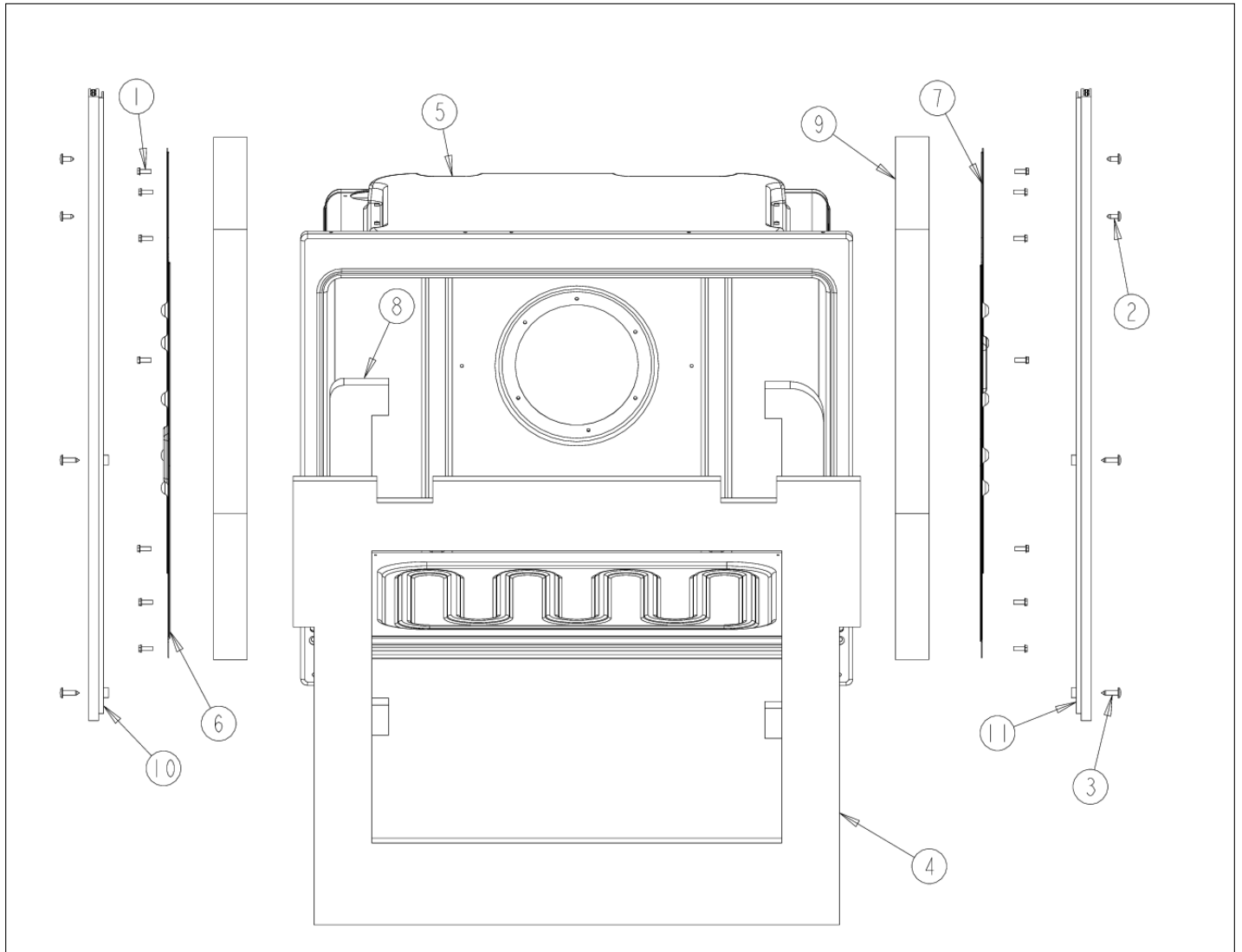
Item	Part No.	Name	Qty	Uom	NOTES
Not Shown	G32012719SG	27" DOOR ASSY W/LOGO *SG*	1	EA	NO LONGER AVAILABLE, Not available online / Call for pricing and availability
Not Shown	G32012719SGBR	27" DOOR ASSY W/LOGO *SGBR*	1	EA	NO LONGER AVAILABLE, Not available online / Call for pricing and availability
Not Shown	G32012719SS	27" DOOR ASSY W/LOGO	1	EA	
Not Shown	G32012719SSBR	27" DOOR ASSY W/LOGO *SSBR*	1	EA	NO LONGER AVAILABLE
Not Shown	G32012719VB	27" DOOR ASSY W/LOGO *VB*	1	EA	NO LONGER AVAILABLE, Not available online / Call for pricing and availability
Not Shown	G32012719VBBR	27" DOOR ASSY W/LOGO *VBBR*	1	EA	NO LONGER AVAILABLE, Not available online / Call for pricing and availability
Not Shown	G32012719WH	27" DOOR ASSY W/LOGO *WH*	1	EA	
Not Shown	G32012719WHBR	27" DOOR ASSY W/LOGO *WHBR*	1	EA	NO LONGER AVAILABLE, Not available online / Call for pricing and availability

LOWER UNIT AREA



Item	Part No.	Name	Qty	Uom	NOTES
1	PD020060	10 X 1/2" (5/16)HEX WSHER HD.(T)A	1	EA	
2	PD020045	' #8 X 1/2" PH FLAT TEK (ZINC)	1	EA	
3	PD020061	' #8 X 3/4 FLAT HD TEK. *SS*	1	EA	
4	PD020062	#8-32 X 3/8 PHMS TYPE 1	1	EA	
5	PB070273	Window Pack Insulation	1	EA	
6	PB070300	27" BOTTOM INSULATION	1	EA	NO LONGER AVAILABLE, Not available online / Call for pricing and availability
7	PD020063	SCREW-#8(A) X 3/8"PH WFR HD/BK OXID	1	EA	
8	PJ010048	BAKE ELEMENT	1	EA	
9	G30010922	BASE MODULE ASSY 27"	1	EA	
10	PB070309	BAKE ELEMENT INSULATION	1	EA	
11	C90010956BK	BOTTOM AIR DEFLECTOR 27"	1	EA	
12	PE040272	27" PROF. BOTTOM TRIM	1	EA	
13	A20010932	ELEMENT, MTG TRAY	1	EA	NO LONGER AVAILABLE
14	B21010916	HINGE CLIP - LH	1	EA	
15	B21010915	HINGE CLIP - RH	1	EA	
16	A2009696	HOLDER, BAKE ELEMENT	1	EA	
17	E9109655	COVER, BAKE TRAY	1	EA	
18	PC020221	HINGE POCKET RECEIVER MANSFIELD RH	1	EA	See TC-0121- SP Service Bulletin
19	PC020247	HINGE POCKET RECEIVER MANSFIELD LH	1	EA	See TC-0121- SP Bulletin

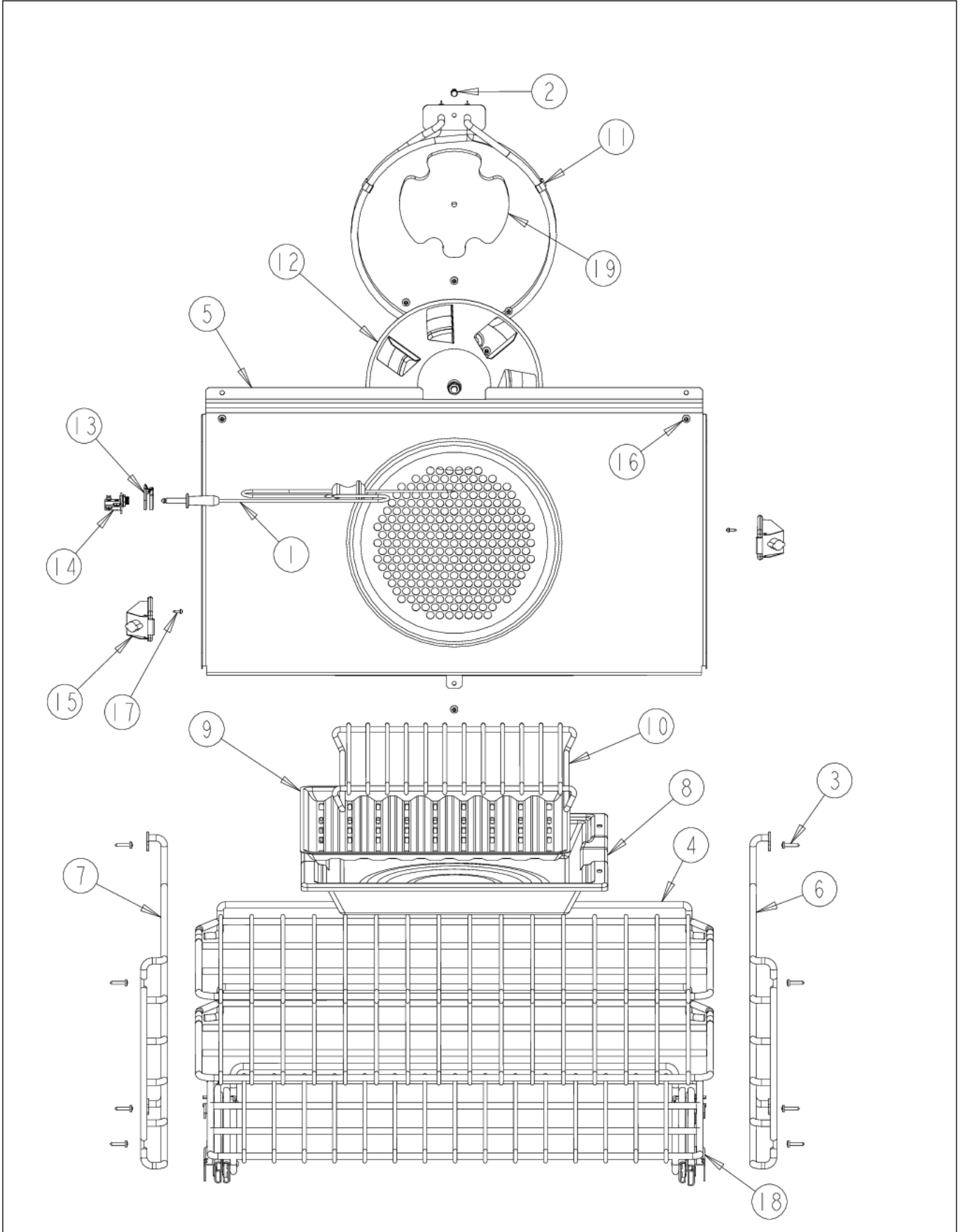
MAIN OVEN CAVITY - EXTERIOR



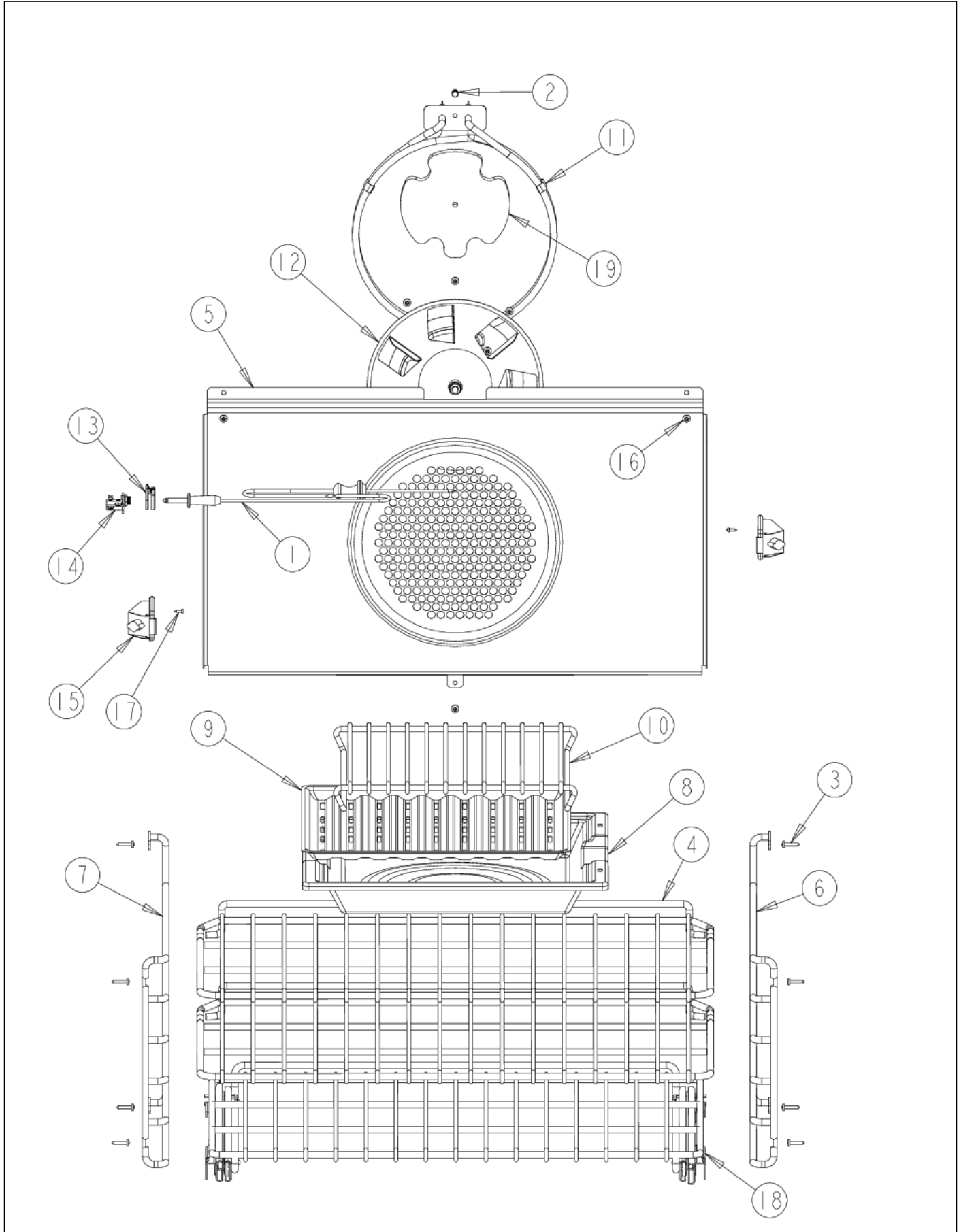


Item	Part No.	Name	Qty	Uom	NOTES
1	PD020060	10 X 1/2" (5/16)HEX WSHER HD.(T)A	1	EA	
2	PD020002	10 X 1/2 PH.TR.HD.SMS.	1	EA	
3	PD020014	10X3/4 PH TR HD SMS	1	EA	
4	PB070276	27" DOOR INSULATION	1	EA	
5	G91014042	27" PREMIERE CAVITY ASSY	1	EA	
6	A20012650	BRKT, TOP WRAPPER LEFT	1	EA	Not available online / Call for pricing and availability
7	A2009622	BRKT, TOP WRAPPER, RIGHT	1	EA	Not available online / Call for pricing and availability
8	PB070271	DOOR PLUG INSULATION	1	EA	
9	PB070302	SIDE INSULATION	1	EA	
10	PE040276	PROF. SINGLE SIDE TRIM LH	1	EA	
11	PE040275	PROF. SINGLE SIDE TRIM RH	1	EA	

MAIN OVEN CAVITY - INTERIOR



Item	Part No.	Name	Qty	Uom	NOTES
1	PE050114	MEAT PROBE (DESO/DEDO) (SWITCHCRAFT'S PART # 4C7919)	1	EA	
2	PD020060	10 X 1/2" (5/16)HEX WSHER HD.(T)A	1	EA	
3	PD020232	#8 X 3/4" PH PAN HEAD TEK SCREW (BLACK OXIDE)	1	EA	
4	041045-000	RACK, DF, PRO, 27"	1	EA	
5	G91013597	27" BAFFLE ASSEMBLY	1	EA	
6	PB060103	RACK SUPPORT RH	1	EA	
7	PB060104	RACK SUPPORT LH	1	EA	
8	E9107933	BROILER PAN	1	EA	
9	E9107934	BROILER PAN INSERT - NLA	1	EA	
10	PB080020	BROILER PAN RACK	1	EA	
11	PJ010047	CONVECTION ELEMENT	1	EA	
12	G32014020	CONVECTION FAN ASSY	1	EA	
13	PM010160	MEAT PROBE JACK COVER (SWITCHCRAFT'S PART# 2C1098)	1	EA	
14	PE050115	MEAT PROBE JACK (SWITCHCRAFT'S PART# 3J1505)	1	EA	
Comments for Part Num. PE050115  bradleysapplianceservice@shaw.ca on May 8, 2017 Meat probe is not illustrated on Parts Break Down. PE050114 MEAT PROBE					
15	PE050056	OVEN LIGHT ASSY 12V/5W  (BEFORE SERIAL # C-0396)	1	EA	
Not Shown	NOTE			EA	
PE050238	005311-000	LAMP, OVEN, 120V/25W	1	EA	
Not Shown	NOTE	(AFTER SERIAL # C-0396)		EA	
16	PD020055	' #10 X 1/2" PAN PHIL. TEK.*SS*	1	EA	
17	PD020013	TYPE "AB" #6 X 3/8 PH PAN HD. SMS	1	EA	
18	024737-000	27" SLIDING OVEN RACK	1	EA	

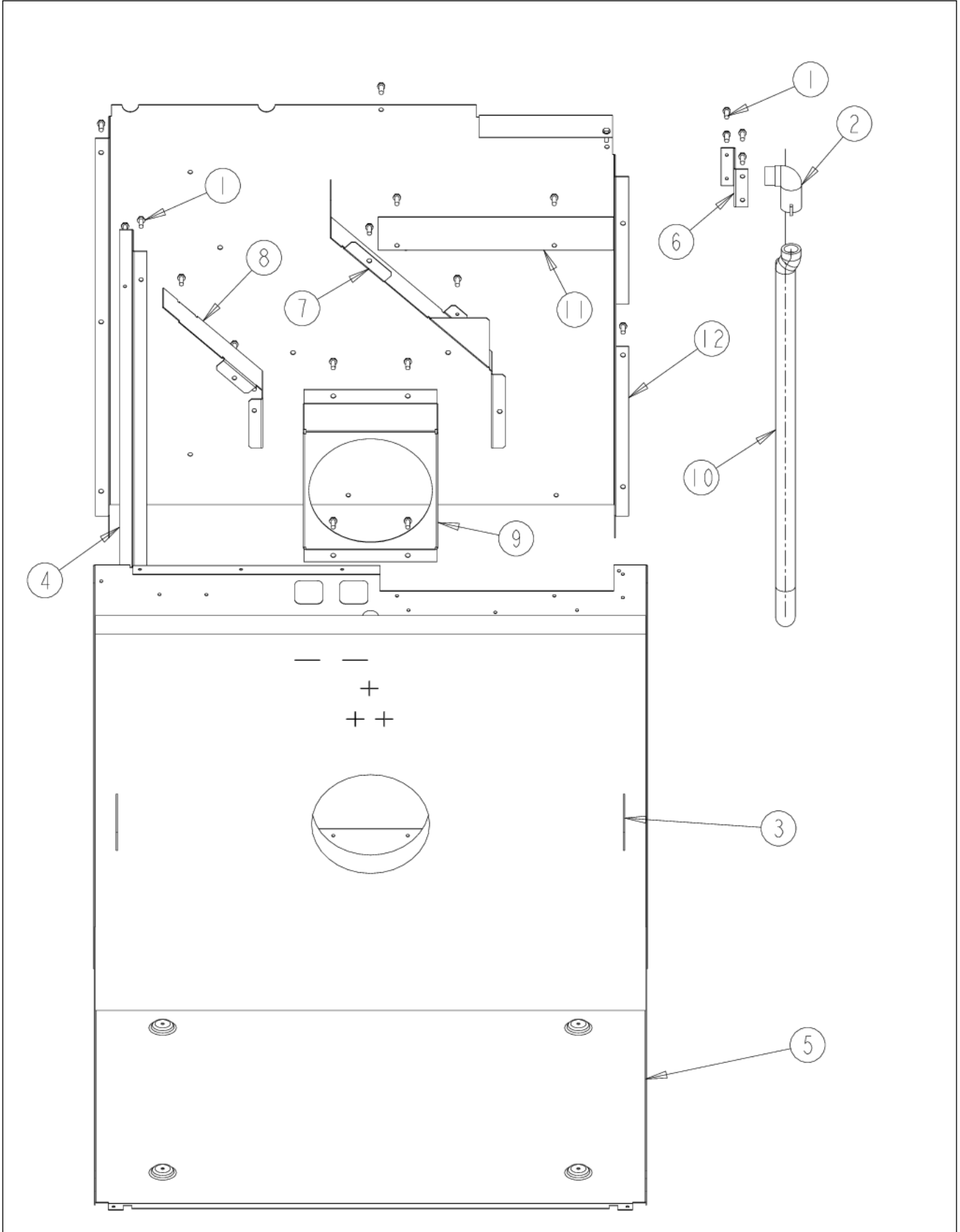






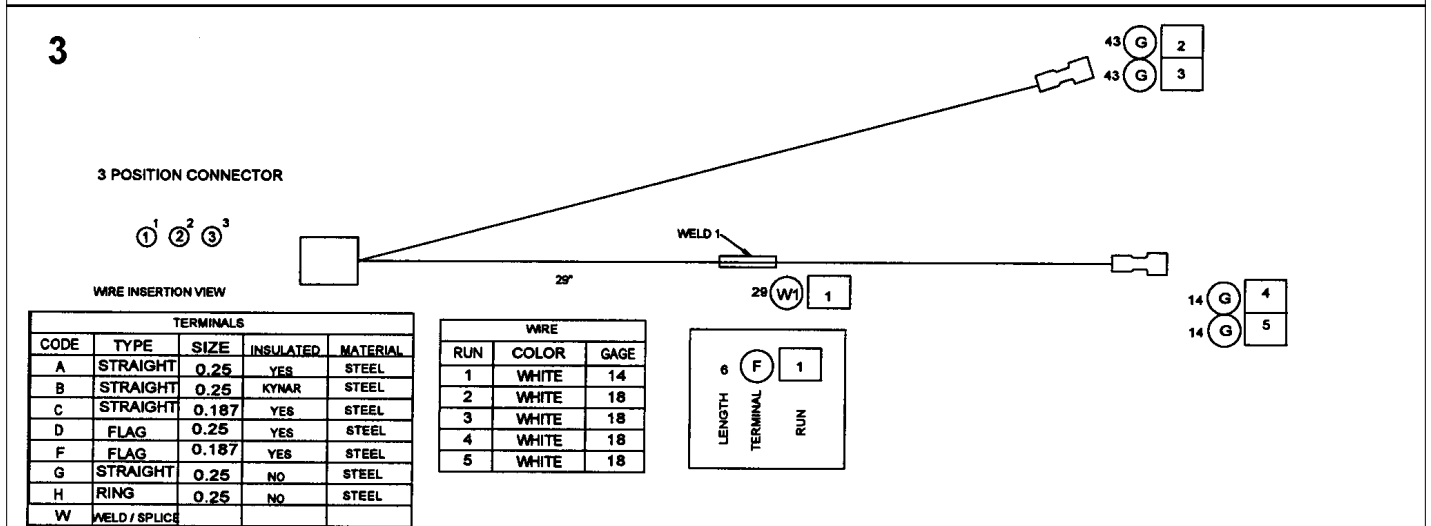
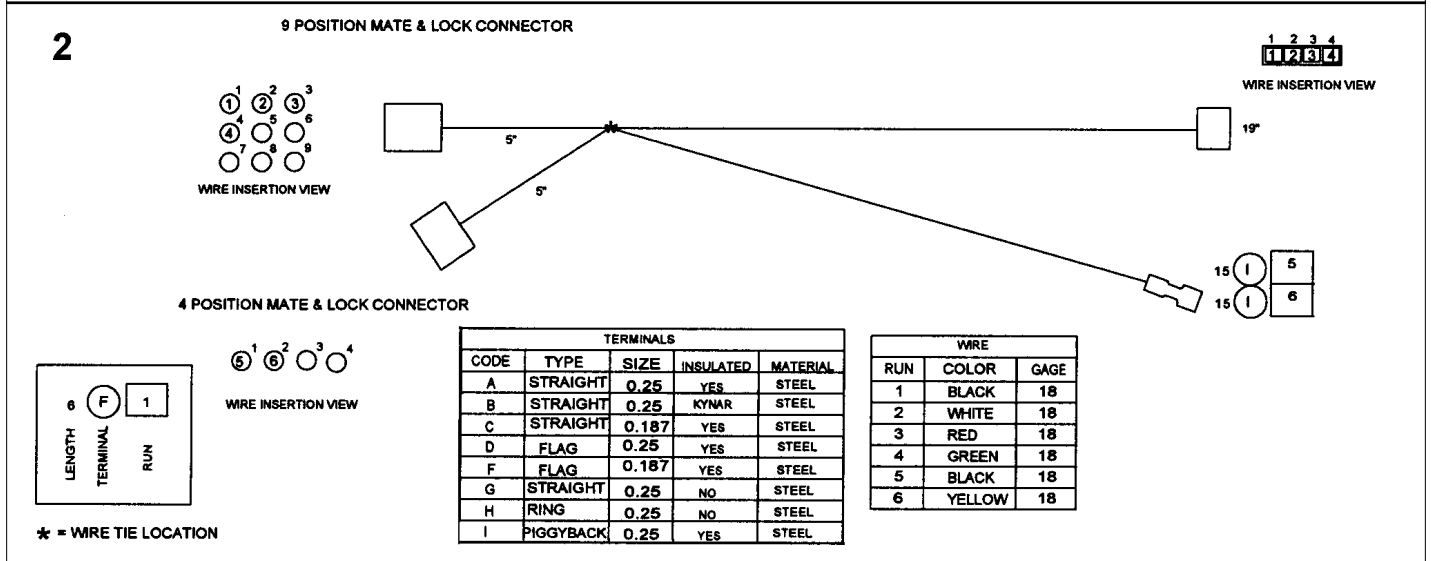
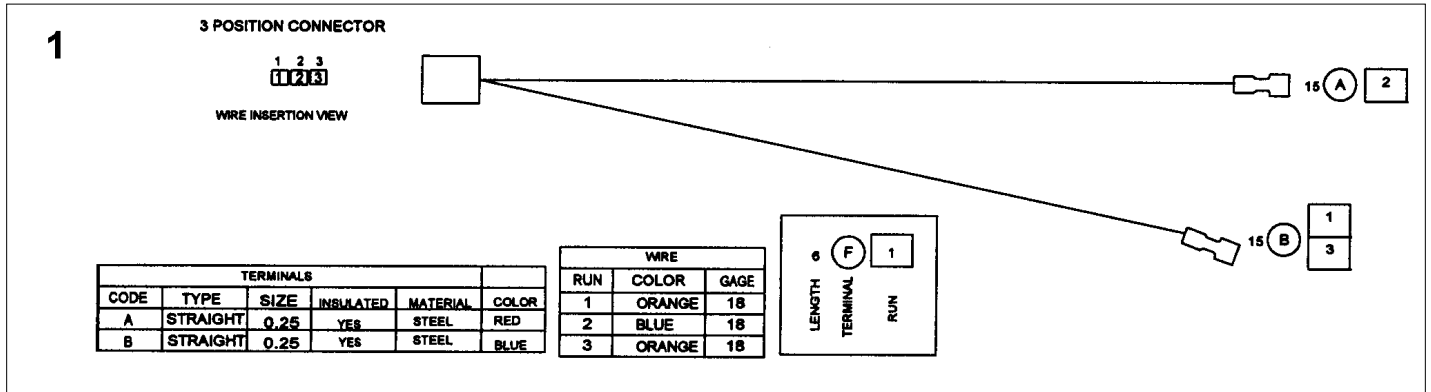
Item	Part No.	Name	Qty	Uom	NOTES
19	PB070312	CONVECTION MOTOR MTG. PLATE INSULATION	1	EA	

REAR UNIT AREA



Item	Part No.	Name	Qty	Uom	NOTES
1	PD020060	10 X 1/2" (5/16)HEX WSHER HD.(T)A	1	EA	
2	PB040070	CONDUIT FITTING (90 DEG)	1	EA	
3	PB070301	27" BACK INSULATION	1	EA	NO LONGER AVAILABLE, Not available online / Call for pricing and availability
4	A2009666	AIR CHANNEL	1	EA	
5	A20010931	BASE, BACK WRAPPER, 27"	1	EA	NO LONGER AVAILABLE, Not available online / Call for pricing and availability
6	A2009671	BRACKET, POWER CABLE	1	EA	
7	A21010918	BRACKET, AIR, CONVECTION MOTOR	1	EA	NO LONGER AVAILABLE, Not available online / Call for pricing and availability
8	A21010919	BRACKET, AIR, CONVECTION MOTOR	1	EA	NO LONGER AVAILABLE, Not available online / Call for pricing and availability
9	A2009697	BRACKET, CONVECTION INSULATION	1	EA	
10	PB020071	CONDUIT - FLEXIBLE (48")	1	EA	
11	A10010907	COVER, BLOWER	1	EA	
12	A20010937	PANEL, REAR 27"	1	EA	NO LONGER AVAILABLE

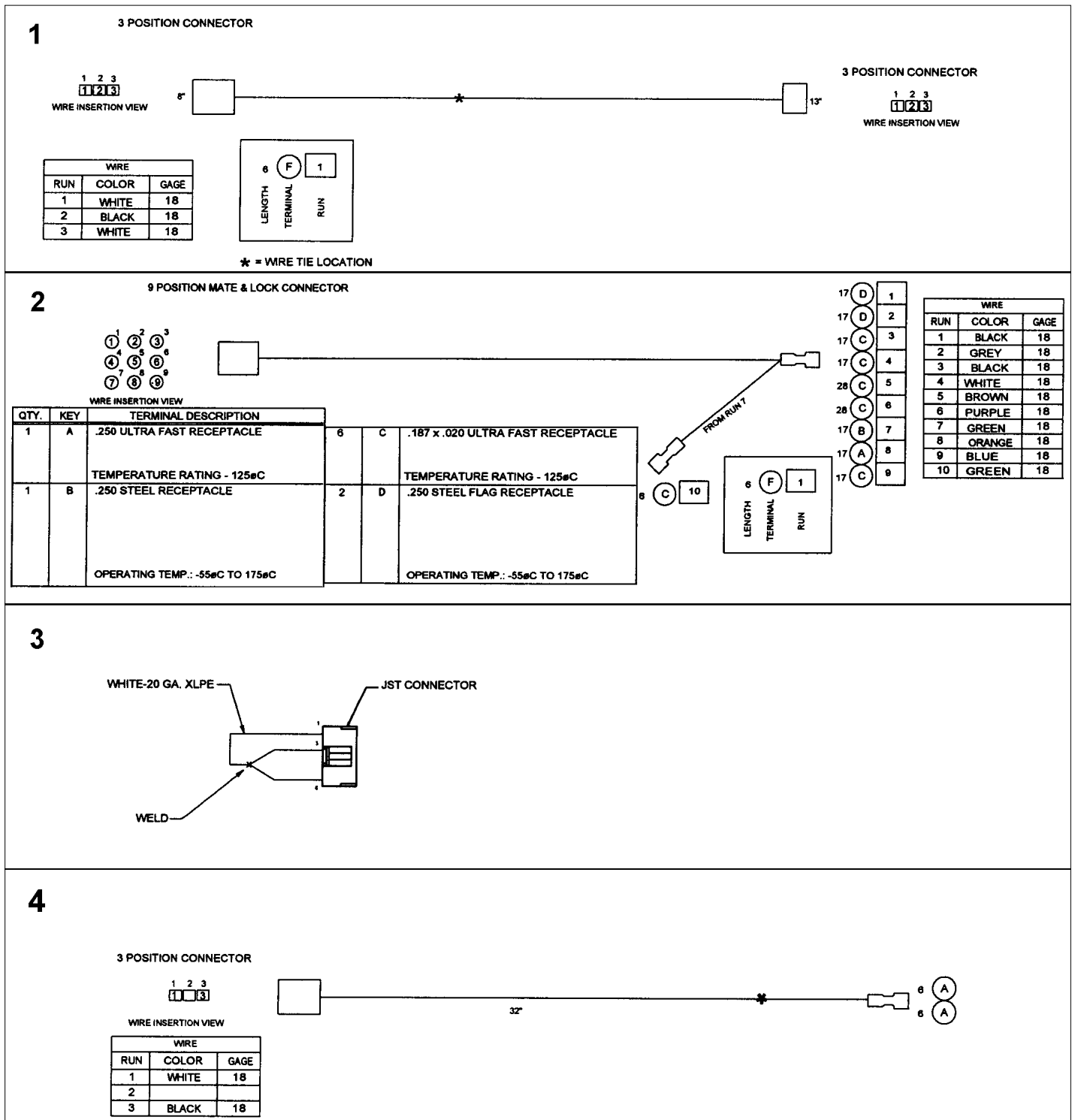
SIMPLE HARNESSES 1





Item	Part No.	Name	Qty	Uom	NOTES
1	PE070743	SINGLE CLOCK HARNESS	1	EA	
2	PE070754	TEST HARNESS SINGLE	1	EA	Not available online / Call for pricing and availability
3	PE070739	BAKE ELEMENT HARNESS	1	EA	
NI	G4005496	SUPPLY WIRE - 100" BK 10GA SO/DO	1	EA	
NI	G4005497	SUPPLY WIRE - 100" GREEN 10GA SO/DO	1	EA	
NI	G4005499	SUPPLY WIRE - 100" RED 10GA SO/DO	1	EA	
NI	G4005494	SUPPLY WIRE - 75" WH 12 GA SO/DO - NLA	1	EA	

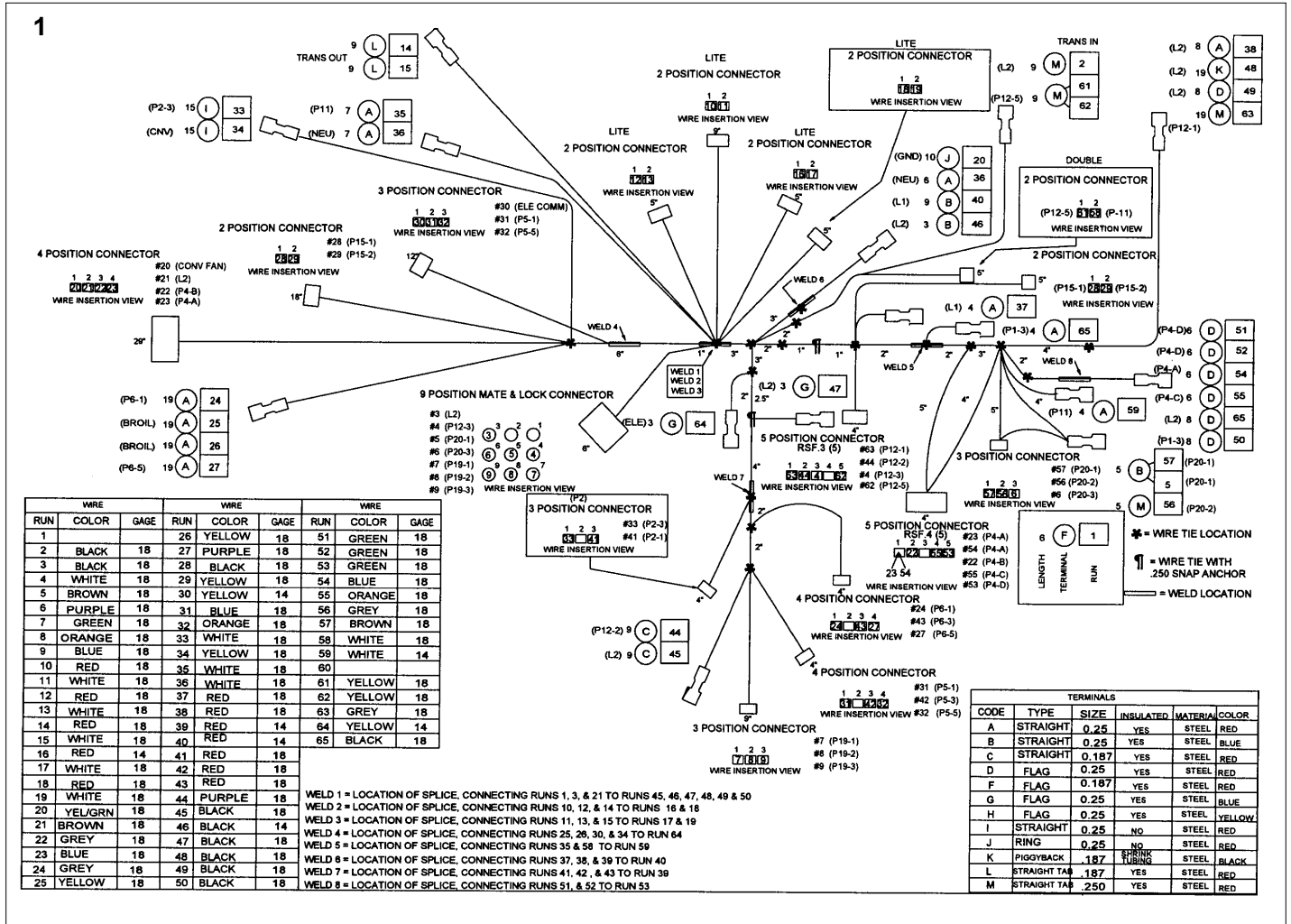
SIMPLE HARNESSES 2





Item	Part No.	Name	Qty	Uom	NOTES
1	PE070738	T/STAT-SEL HARNESS	1	EA	
2	PE070733	UPPER LATCH HARNESS	1	EA	
3	PE070734	SINGLE OVEN HEADER	1	EA	
4	PE070735	MEAT PROBE HARNESS	1	EA	

# UPPER CONTROL HARNESS

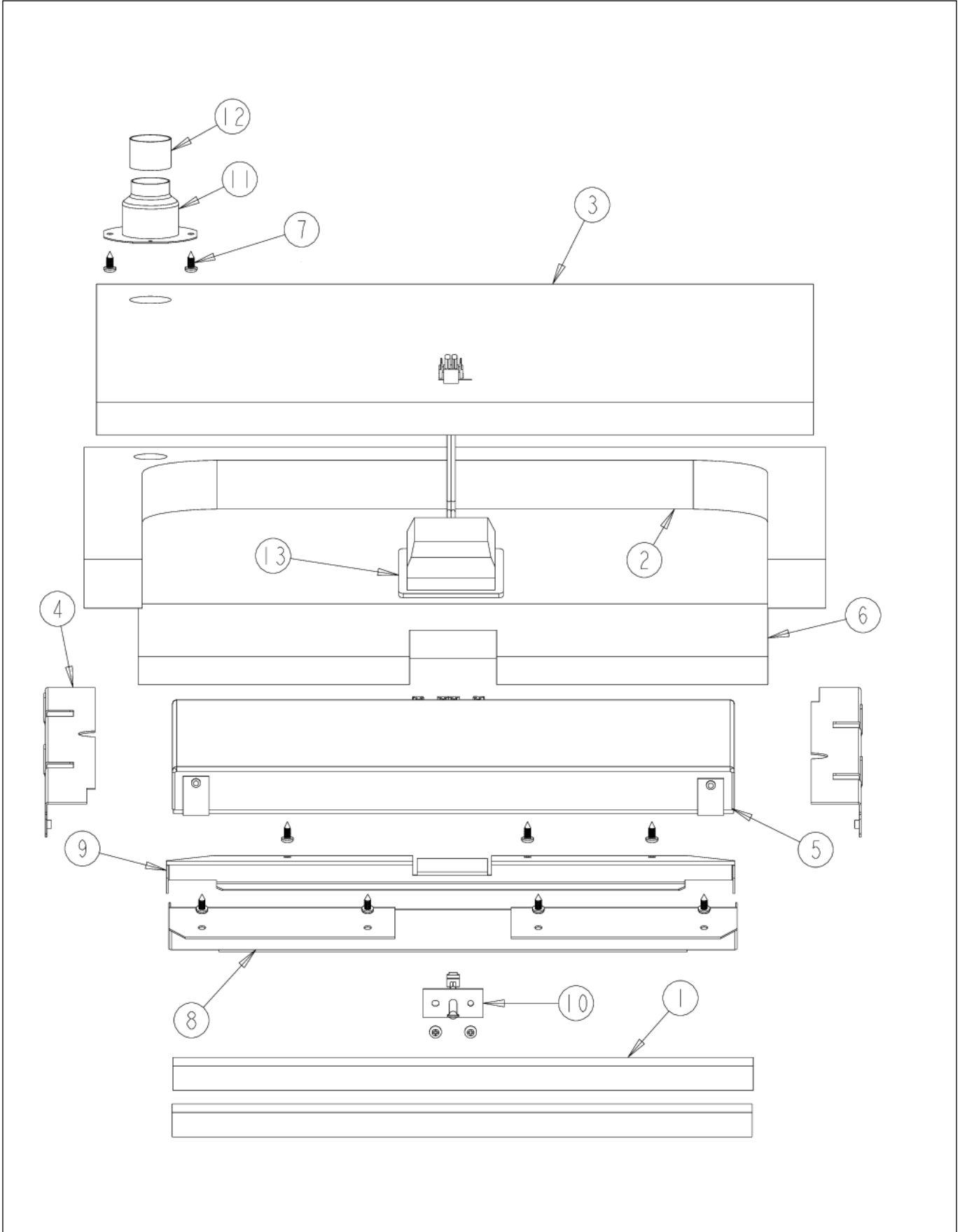






Item	Part No.	Name	Qty	Uom	NOTES
1	PE070742	UPPER CONTROL HARNESS	1	EA	

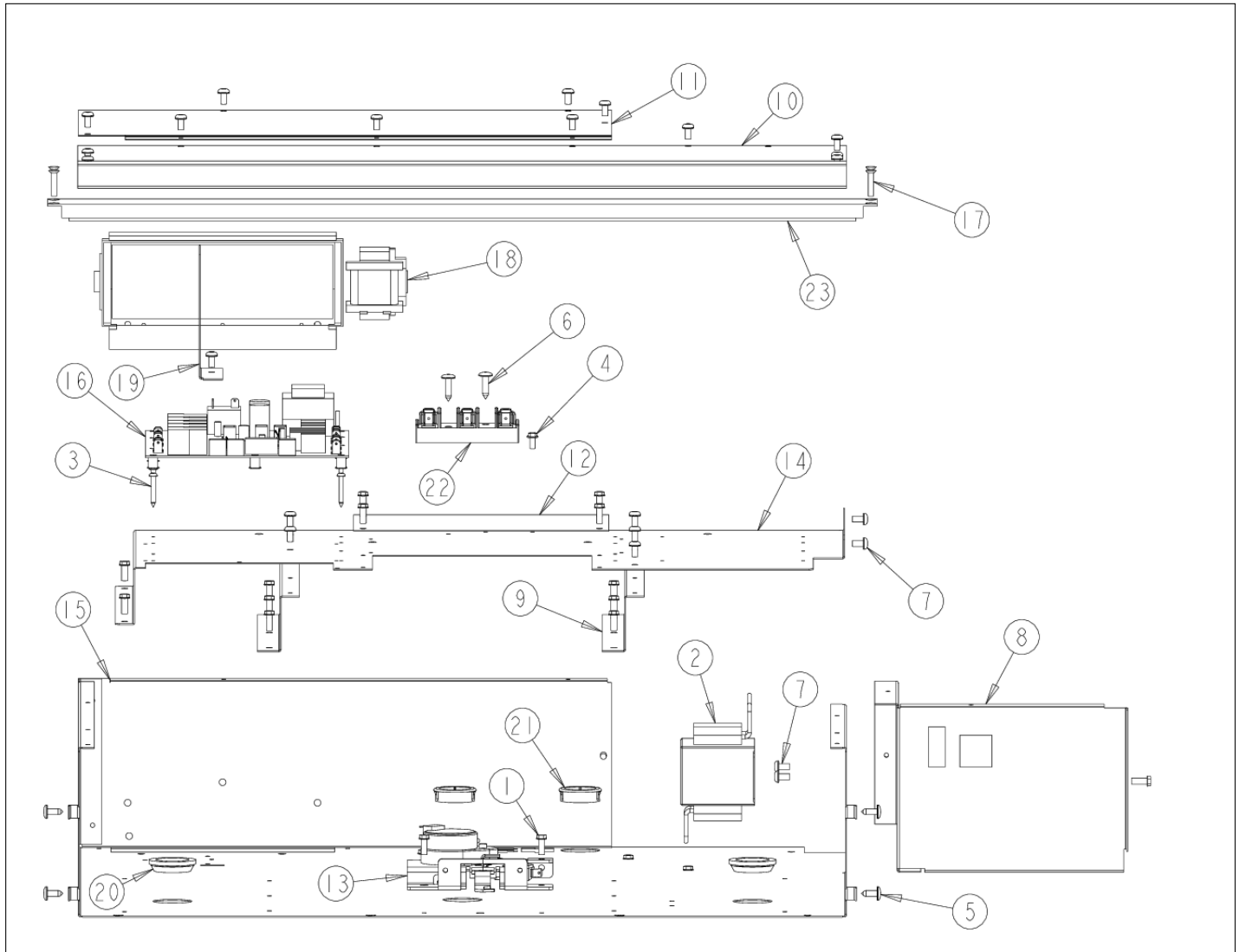
UPPER OVEN CAVITY AREA



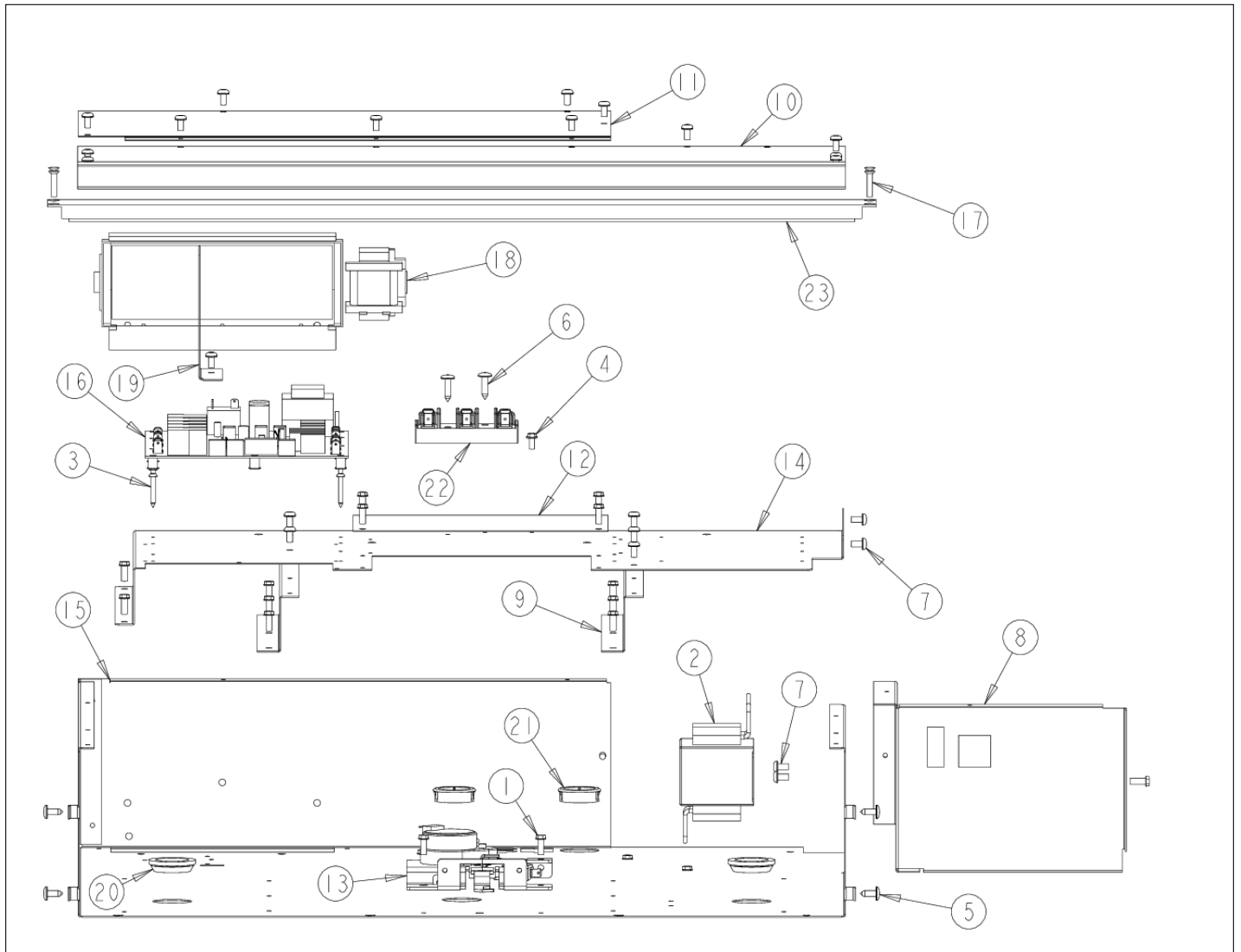


Item	Part No.	Name	Qty	Uom	NOTES
1	PB070273	Window Pack Insulation	1	EA	
2	PB070306	Top Broil Insulation	1	EA	Not available online / Call for pricing and availability
3	PB070307	Top Insulation	1	EA	Not available online / Call for pricing and availability
4	A2009641	BRKT, TOP WRAPPER	1	EA	
5	024040-000	ELEMENT, RIBBON	1	EA	
Comments for Part Num. 024040-000					
jhobbs@kimballinc.com on Jan 4, 2019					
Please Correct the part number on this ( 057872-000)					
6	PB070337	Liner Insulation	1	EA	
7	PD020055	' #10 X 1/2" PAN PHIL. TEK.*SS*	1	EA	
8	024234-000	BRACKET, BROILER, FRONT	1	EA	
9	024221-000	BRACKET, BROILER, REAR	1	EA	
10	PE050206	RTD THERMOSTAT PROBE	1	EA	
11	PM010014	SMOKE ELIMINATOR (VDSC)	1	EA	
12	PB020275	VENT TUBE	1	EA	
13	PE050205	Top Halogen Light	1	EA	
Not Shown	NOTE	(BEFORE C-0396)		EA	
PE050239	020403-000	LAMP, OVEN, 120V/40W	1	EA	
Not Shown	NOTE	(AFTER C-0396)		EA	

UPPER UNIT AREA AFTER 07-20-06

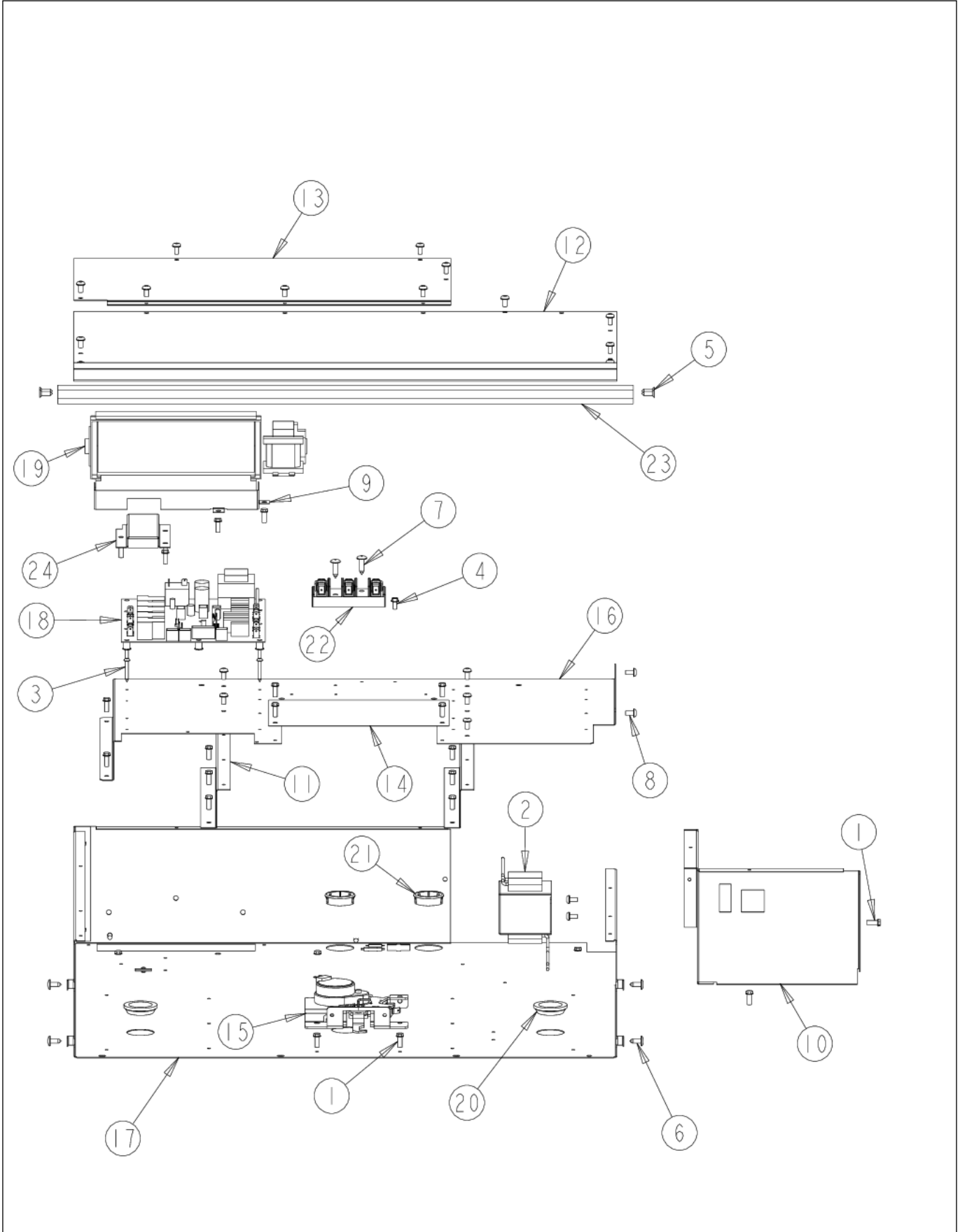


Item	Part No.	Name	Qty	Uom	NOTES
1	PD020060	10 X 1/2" (5/16)HEX WSHER HD.(T)A	1	EA	
2	PE070634	HALOGEN LIGHT TRANSFORMER	1	EA	NO LONGER AVAILABLE
Not Shown	NOTE	(Used only on units before serial # C-0396)		EA	
3	PD020185	Screw, 6 X 1" Pan Head	1	EA	
4	PD020010	10 X 3/8 GREEN GROUNDING SCREW	1	EA	
5	PD020002	10 X 1/2 PH.TR.HD.SMS.	1	EA	
6	PD020014	10X3/4 PH TR HD SMS	1	EA	
7	PD020004	10X3/8PH.HD.TYPE 25 REPL PD040125	1	EA	
8	A20010934	BRACKET, MODULE PAN	1	EA	
9	A20010910	Support Bracket, Electronics Hat	1	EA	Not available online / Call for pricing and availability
10	A20014046	Front Cover	1	EA	Not available online / Call for pricing and availability
11	A20014047	Rear Cover	1	EA	Not available online / Call for pricing and availability
12	A10010911	Latch Cover	1	EA	
13	013250-000	LATCH,DOOR,ASM,240V,GRID DLE LOCKOUT	1	EA	
14	A20010935	Electronics Hat	1	EA	Not available online / Call for pricing and availability
15	A20010933	MODULE PAN 27"	1	EA	NO LONGER AVAILABLE, Not available online / Call for pricing and availability
16	002406-000	CONTROL BOARD	1	EA	



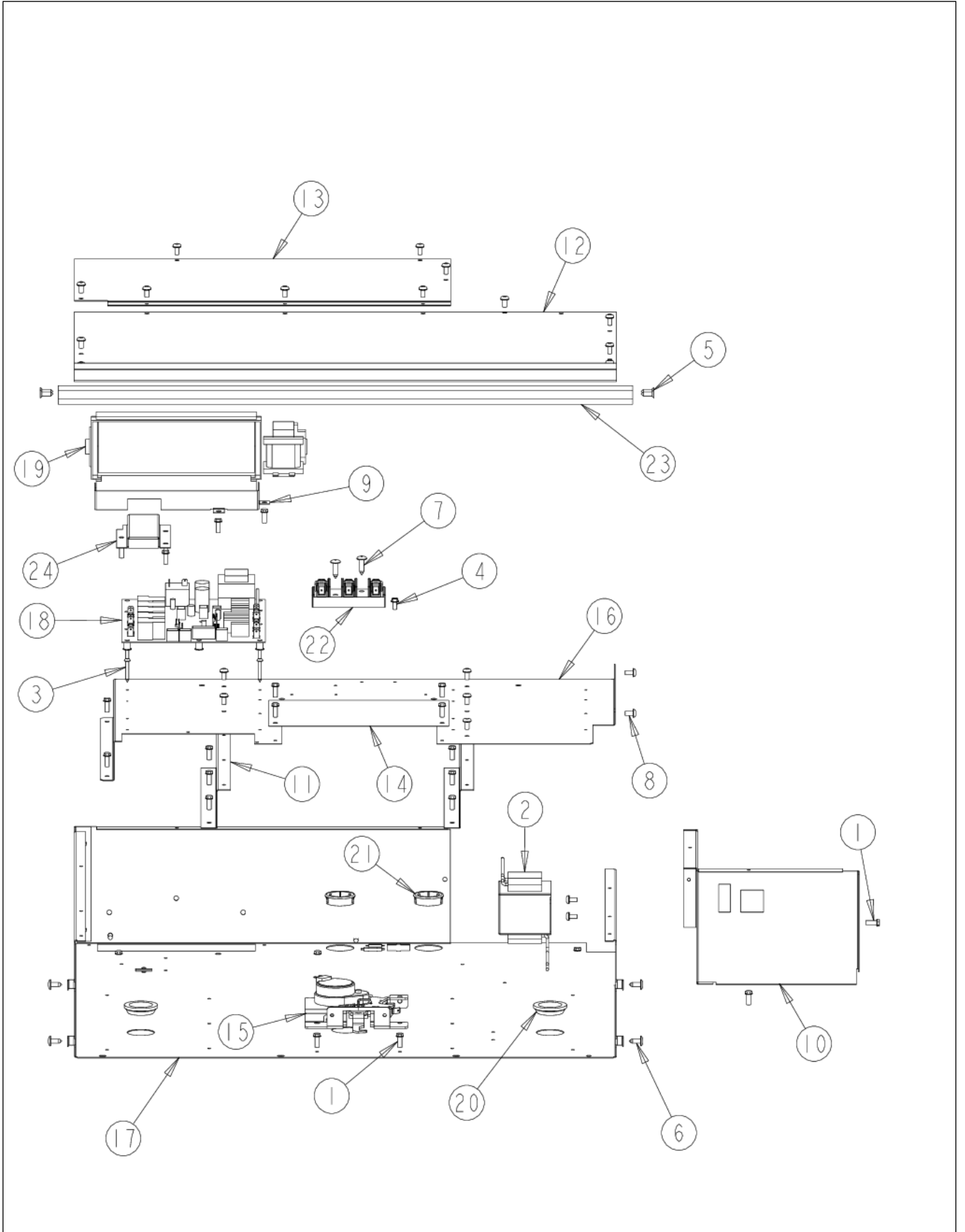
Item	Part No.	Name	Qty	Uom	NOTES
<p>Comments for Part Num. 002406-000</p> <p>haarnink@vikingrange.com on Jun 18, 2015</p> <p>For the international E Model numbers EVDSC5 we need to add the info that since First unit was EVDSC530S4B: 092314C10147281 any EVDSC built in 2014 went into production with EOC4. so here we need to add the part number 014000-000 EOC4 plus the SMPS part number 013999-000</p>					
17	PD020170	Screw, 6 X 1 Pan Hd	1	EA	
18	PE050250	Blower	1	EA	
<p>Comments for Part Num. PE050250</p> <p>highendappsvc@gmail.com on Jan 28, 2019</p> <p>If you need to replace cooling fan for the model vgsc5486gss serial date code 031412, do not order this fan, this fan is larger and configured wrong. The correct fan is 007794-000. it is smaller.</p>					
Not Shown	NOTE	(BEFORE 02/04/13)		EA	
18	018607-000	FAN, BLO, 220-240V 50/60Hz ASM (MT1664)	1	EA	
Not Shown	NOTE	(ON OR AFTER 02/04/13)		EA	
19	A2009667	REAR AIR DIVIDER	1	EA	
20	PB070079	SILICONE EXTRUSION (DGSU)	1	EA	
21	PD040152	SNAP BUSHING	1	EA	
22	PE070147	TERMINAL BLOCK (VDSC)	1	EA	
23	PE040271	27" PROF. TOP TRIM	1	EA	

UPPER UNIT AREA BEFORE 07-20-06





Item	Part No.	Name	Qty	Uom	NOTES
1	PD020060	10 X 1/2" (5/16)HEX WSHER HD.(T)A	1	EA	
2	PE070634	HALOGEN LIGHT TRANSFORMER	1	EA	NO LONGER AVAILABLE
3	PD020185	Screw, 6 X 1" Pan Head	1	EA	
4	PD020010	10 X 3/8 GREEN GROUNDING SCREW	1	EA	
5	PD020231	#8 X 1/2" PH FLAT HEAD TEK SCREW (BLACK OXIDE)	1	EA	NO LONGER AVAILABLE, Not available online / Call for pricing and availability
6	PD020002	10 X 1/2 PH.TR.HD.SMS.	1	EA	
7	PD020014	10X3/4 PH TR HD SMS	1	EA	
8	PD020004	10X3/8PH.HD.TYPE 25 REPL PD040125	1	EA	
9	A20014035	27" BLOWER BRACKET	1	EA	NO LONGER AVAILABLE, Not available online / Call for pricing and availability
10	A20010934	BRACKET, MODULE PAN	1	EA	
11	A20010910	Support Bracket, Electronics Hat	1	EA	Not available online / Call for pricing and availability
12	A20014046	Front Cover	1	EA	Not available online / Call for pricing and availability
13	A20014047	Rear Cover	1	EA	Not available online / Call for pricing and availability
14	A10010911	Latch Cover	1	EA	
15	013250-000	LATCH,DOOR,ASM,240V,GRID DLE LOCKOUT	1	EA	
16	A20010935	Electronics Hat	1	EA	Not available online / Call for pricing and availability
17	A20010933	MODULE PAN 27"	1	EA	NO LONGER AVAILABLE, Not available online / Call for pricing and availability
18	002406-000	CONTROL BOARD	1	EA	



Item	Part No.	Name	Qty	Uom	NOTES
<p>Comments for Part Num. 002406-000</p> <p>haarnink@vikingrange.com on Jun 18, 2015</p> <p>For the international E Model numbers EVDSC5 we need to add the info that since First unit was EVDSC530S4B: 092314C10147281 any EVDSC built in 2014 went into production with EOC4. so here we need to add the part number 014000-000 EOC4 plus the SMPS part number 013999-000</p>					
19	PE050250	Blower	1	EA	
<p>Comments for Part Num. PE050250</p> <p>highendappsvc@gmail.com on Jan 28, 2019</p> <p>If you need to replace cooling fan for the model vgsc5486gss serial date code 031412, do not order this fan, this fan is larger and configured wrong. The correct fan is 007794-000. it is smaller.</p>					
20	PB070079	SILICONE EXTRUSION (DGSU)	1	EA	
21	PD040152	SNAP BUSHING	1	EA	
22	PE070147	TERMINAL BLOCK (VDSC)	1	EA	
23	PE040271	27" PROF. TOP TRIM	1	EA	
24	A20014033	UPPER VENT COVER	1	EA	NO LONGER AVAILABLE, Not available online / Call for pricing and availability



Appendix A:Pages Index

CONTROL AREA ..... 1  
DOOR ASSEMBLY ..... 2  
LOWER UNIT AREA ..... 3  
MAIN OVEN CAVITY - EXTERIOR ..... 4  
MAIN OVEN CAVITY - INTERIOR ..... 5  
REAR UNIT AREA ..... 6  
SIMPLE HARNESSSES 1 ..... 7  
SIMPLE HARNESSSES 2 ..... 8  
UPPER CONTROL HARNESS ..... 9  
UPPER OVEN CAVITY AREA ..... 10  
UPPER UNIT AREA AFTER 07-20-06 ..... 11  
UPPER UNIT AREA BEFORE 07-20-06 ..... 12



Appendix B:Parts Index

000268-000	2	A2009666	6
000594-000	2	A2009667	11
001501-000	2	A2009671	6
001503-000	2	A2009696	3
002406-000	11, 12	A2009697	6
005311-000	5	A21010918	6
006071-000	2	A21010919	6
013250-000	11, 12	B21010915	3
018607-000	11	B21010916	3
020403-000	10	B92014065	1
024040-000	10	C90010956BK	3
024221-000	10	C90014073BK	1
024234-000	10	C92014065BK	1
024737-000	5	C92014065WH	1
036047-000	1	E9107933	5
041045-000	5	E9107934	5
050172-000	1	E9109655	3
A10010907	6	G30010922	3
A10010911	11, 12	G32012719AL	2
A10014028	1	G32012719ALBR	2
A20010910	11, 12	G32012719BK	2
A20010931	6	G32012719BKBR	2
A20010932	3	G32012719BT	2
A20010933	11, 12	G32012719BTBR	2
A20010934	11, 12	G32012719BU	2
A20010935	11, 12	G32012719BUBR	2
A20010937	6	G32012719CB	2
A20010949	2	G32012719CBBR	2
A20012640	2	G32012719EP	2
A20012641	2	G32012719EPBR	2
A20012649	1	G32012719FG	2
A20012650	4	G32012719FGBR	2
A20014033	12	G32012719GG	2
A20014035	12	G32012719GGBR	2
A20014046	11, 12	G32012719LE	2
A20014047	11, 12	G32012719LEBR	2
A20014061	1	G32012719MJ	2
A20014063	1	G32012719MJBR	2
A2009622	4	G32012719SG	2
A2009641	10	G32012719SGBR	2
		G32012719SS	2



G32012719SSBR	2	PB070312	5
G32012719VB	2	PB070336	2
G32012719VBBR	2	PB070337	10
G32012719WH	2	PB080020	5
G32012719WHBR	2	PC020221	3
G32014020	5	PC020247	3
G40015469	1	PD020002	2, 4, 11, 12
G4005494	7	PD020004	1, 2, 11, 12
G4005496	7	PD020010	11, 12
G4005497	7	PD020013	1, 5
G4005499	7	PD020014	4, 11, 12
G50015481	1	PD020032	2
G91010942	2	PD020045	3
G91013597	5	PD020055	5, 10
G91014042	4	PD020060	1, 3, 4, 5, 6, 11, 12
PB010304PVD	1	PD020061	3
PB010305	1	PD020062	3
PB010306	1	PD020063	2, 3
PB010307	1	PD020170	11
PB010308	1	PD020185	11, 12
PB010309	1	PD020186	2
PB010310	1	PD020231	12
PB010311	1	PD020232	5
PB010312	1	PD020261	1
PB020071	6	PD030006	2
PB020275	10	PD030172	1
PB020276	2	PD040004	1
PB040070	6	PD040152	11, 12
PB060103	5	PD040164	1
PB060104	5	PE010016	2
PB070079	11, 12	PE010017	2
PB070245	2	PE010079	2
PB070271	2, 4	PE010080	2
PB070273	2, 3, 10	PE030001PVD	2
PB070276	4	PE030178	2
PB070300	3	PE030178PVD	2
PB070301	6	PE040271	11, 12
PB070302	4	PE040272	3
PB070306	10	PE040275	4
PB070307	10	PE040276	4
PB070309	3	PE050023	1



PE050056	5	PS500014GG	2
PE050072	1	PS500014GGBR	2
PE050114	5	PS500014LE	2
PE050115	5	PS500014LEBR	2
PE050205	10	PS500014MJ	2
PE050206	10	PS500014MJBR	2
PE050208	1	PS500014SG	2
PE050214	1	PS500014SGBR	2
PE050250	11, 12	PS500014SS	2
PE060093	2	PS500014SSBR	2
PE070147	11, 12	PS500014VB	2
PE070634	11, 12	PS500014VBBR	2
PE070733	8	PS500014WH	2
PE070734	8	PS500014WHBR	2
PE070735	8	PS500018AL	2
PE070738	8	PS500018ALBR	2
PE070739	7	PS500018BK	2
PE070742	9	PS500018BKBR	2
PE070743	7	PS500018BT	2
PE070754	7	PS500018BTBR	2
PJ010047	5	PS500018BU	2
PJ010048	3	PS500018BUBR	2
PJ030033	1	PS500018CB	2
PJ030035	1	PS500018CBBR	2
PJ030043	1	PS500018EP	2
PM010014	10	PS500018EPBR	2
PM010160	5	PS500018FG	2
PS500014AL	2	PS500018FGBR	2
PS500014ALBR	2	PS500018GG	2
PS500014BK	2	PS500018GGBR	2
PS500014BKBR	2	PS500018LE	2
PS500014BT	2	PS500018LEBR	2
PS500014BTBR	2	PS500018MJ	2
PS500014BU	2	PS500018MJBR	2
PS500014BUBR	2	PS500018SG	2
PS500014CB	2	PS500018SGBR	2
PS500014CBBR	2	PS500018SS	2
PS500014EP	2	PS500018SSBR	2
PS500014EPBR	2	PS500018VB	2
PS500014FG	2	PS500018VBBR	2
PS500014FGBR	2	PS500018WH	2



PS500018WHBR ..... 2