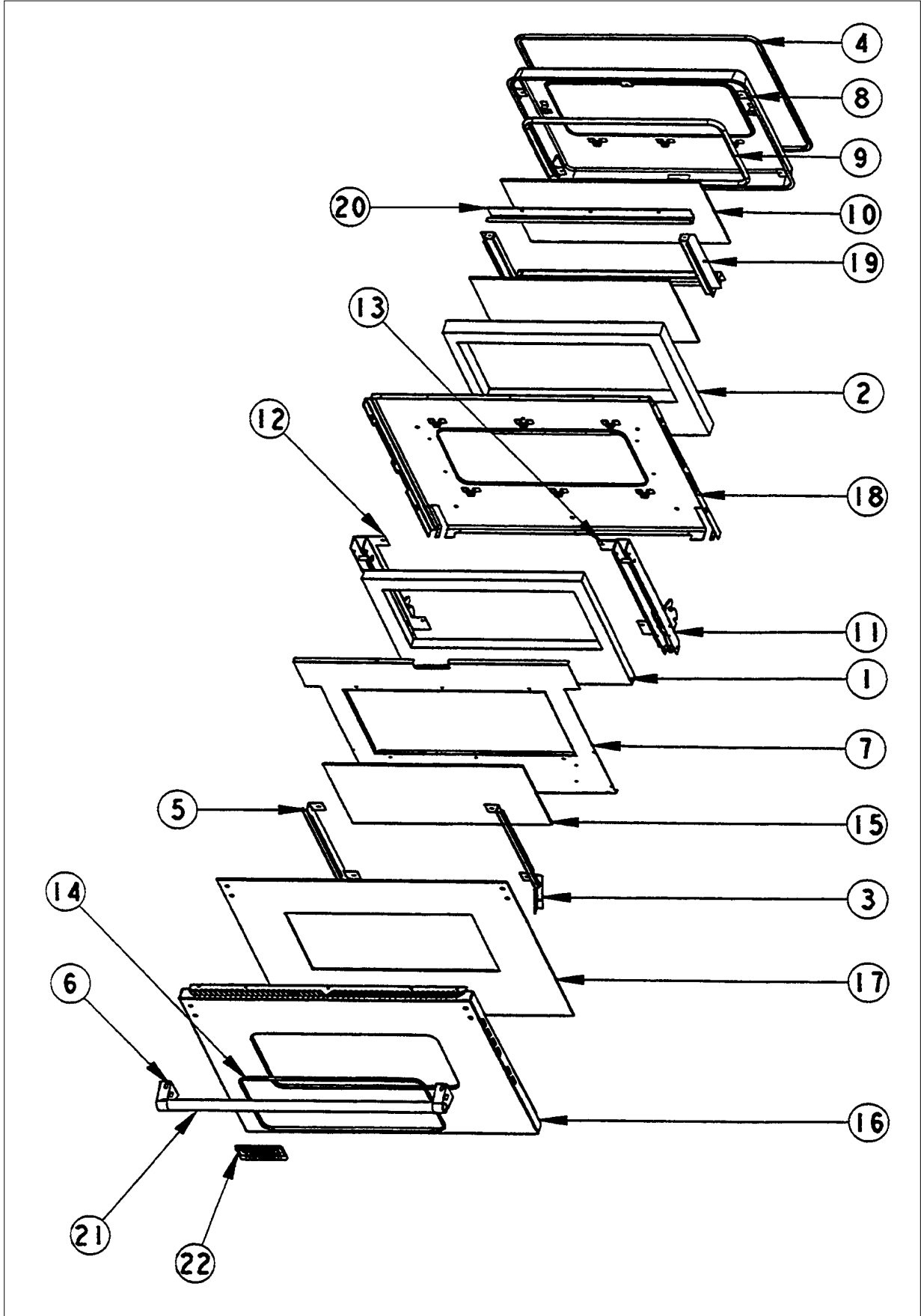


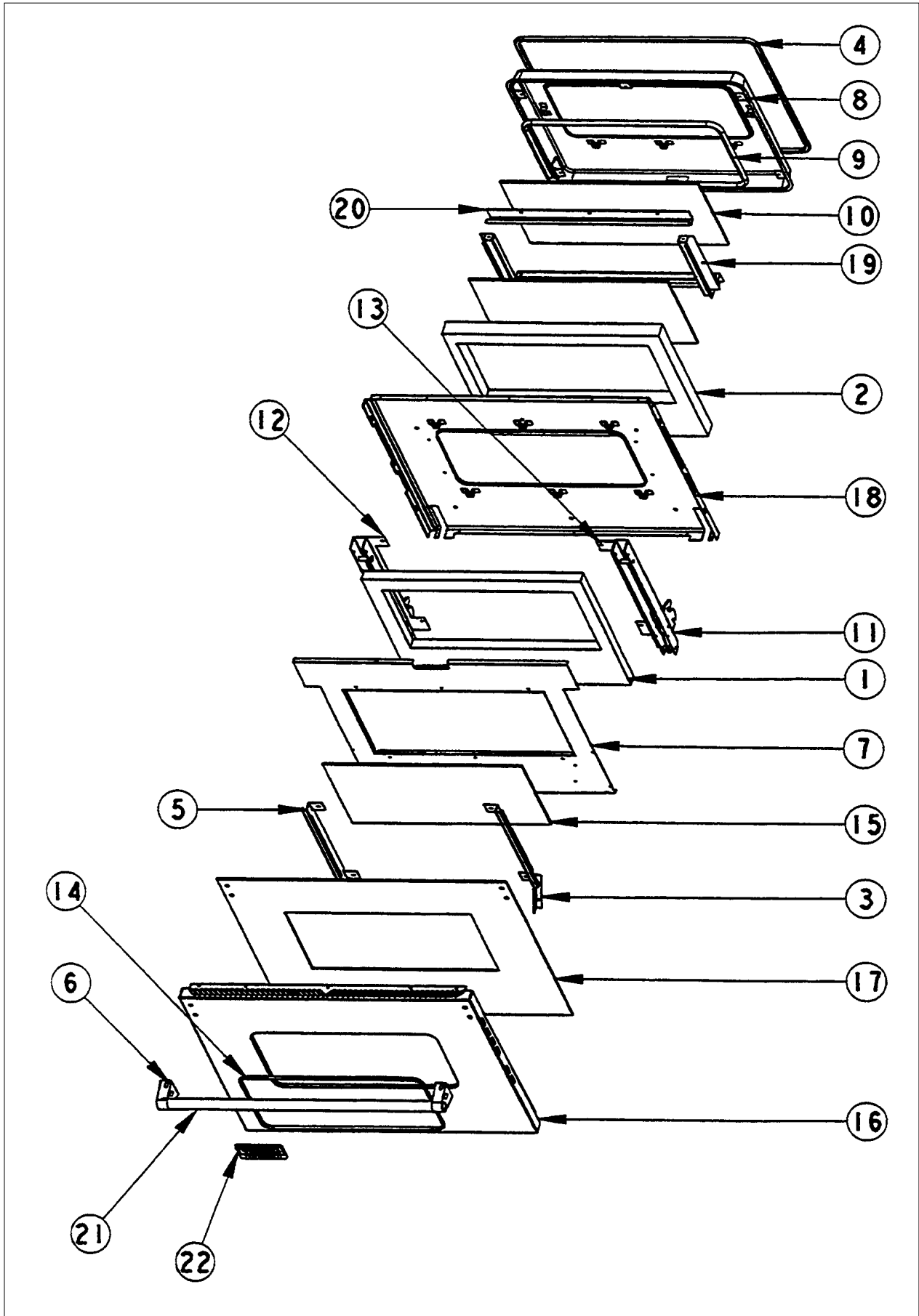
VESO177

DOOR ASSY	1
FLOW CHART NEW BOARD DOOR LOCK	2
FLOW CHART SELF CLEAN	3
OVEN ASSY	4
TOP ASSY	5
TOP ASSY (10-24-04 TO 12-1-04)	6
Appendix A:Pages Index	A
Appendix B:Parts Index	B

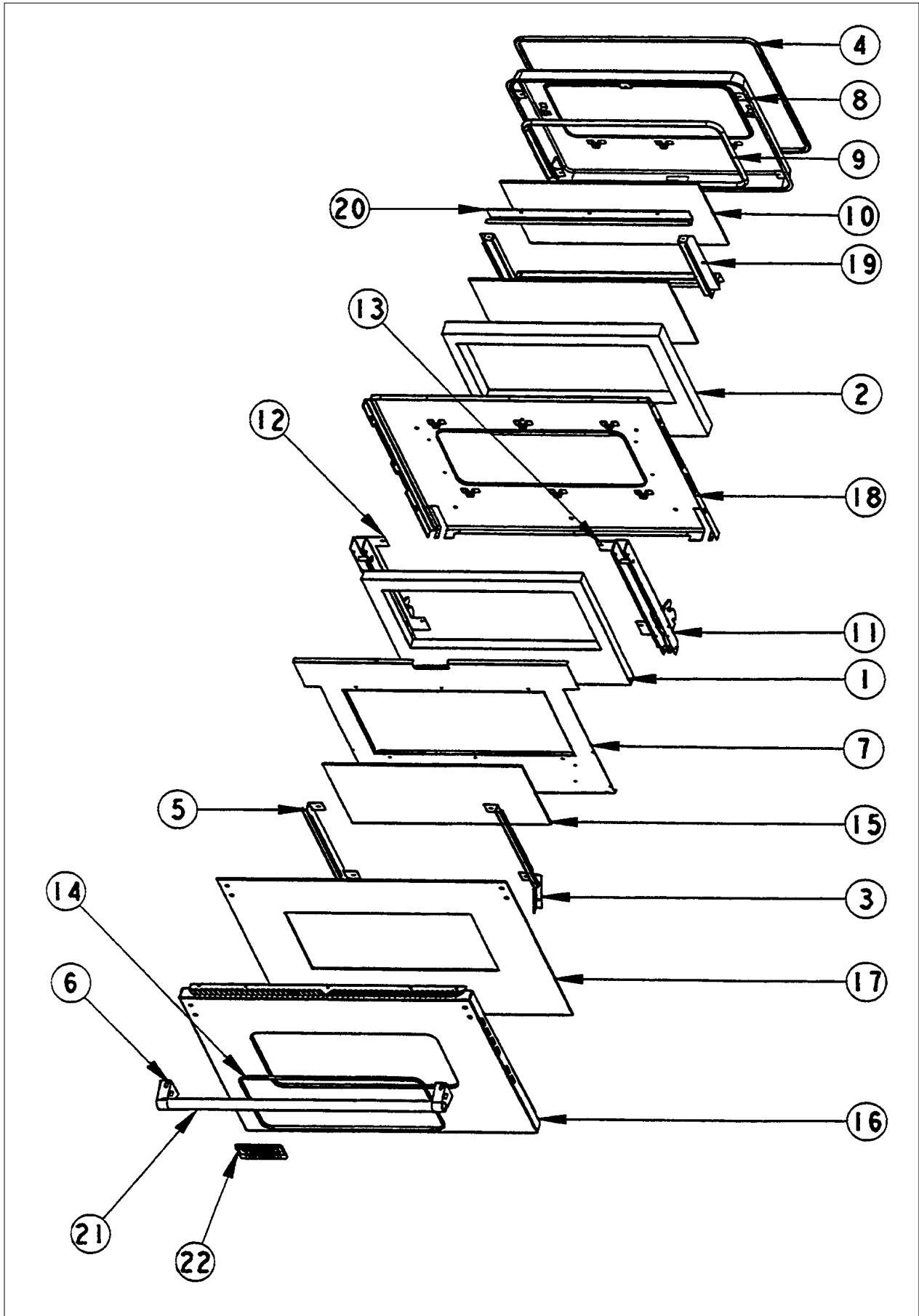
DOOR ASSY



Item	Part No.	Name	Qty	Uom	NOTES
NI	G3204338AL	DOOR ASSY *AL* (VESO176/DO276)	1	EA	NO LONGER AVAILABLE, Not available online / Call for pricing and availability
Not Shown	G3204338ALBR	DOOR ASSY *AL/BR* (VESO176/DO276)	1	EA	NO LONGER AVAILABLE, Not available online / Call for pricing and availability
Not Shown	G3204338BK	DOOR ASSY *BK* (VESO176/DO276)	1	EA	NO LONGER AVAILABLE, Not available online / Call for pricing and availability
Not Shown	G3204338BKBR	DOOR ASSY *BK/BR* (VESO176/DO276)	1	EA	NO LONGER AVAILABLE, Not available online / Call for pricing and availability
Not Shown	G3204338BT	DOOR ASSY *BT* (VESO176/DO276)	1	EA	NO LONGER AVAILABLE, Not available online / Call for pricing and availability
Not Shown	G3204338BTBR	DOOR ASSY *BT/BR* (VESO176/DO276)	1	EA	NO LONGER AVAILABLE, Not available online / Call for pricing and availability
Not Shown	G3204338BU	DOOR ASSY *BU* (VESO176/DO276)	1	EA	NO LONGER AVAILABLE, Not available online / Call for pricing and availability
Not Shown	G3204338BUBR	DOOR ASSY *BU/BR* (VESO176/DO276)	1	EA	NO LONGER AVAILABLE, Not available online / Call for pricing and availability
Not Shown	G3204338CB	DOOR ASSY *CB* (VESO176/DO276)	1	EA	NO LONGER AVAILABLE, Not available online / Call for pricing and availability
Not Shown	G3204338CBBR	DOOR ASSY *CB/BR* (VESO176/DO276)	1	EA	NO LONGER AVAILABLE, Not available online / Call for pricing and availability
Not Shown	G3204338EP	DOOR ASSY *EP* (VESO176/DO276)	1	EA	NO LONGER AVAILABLE, Not available online / Call for pricing and availability

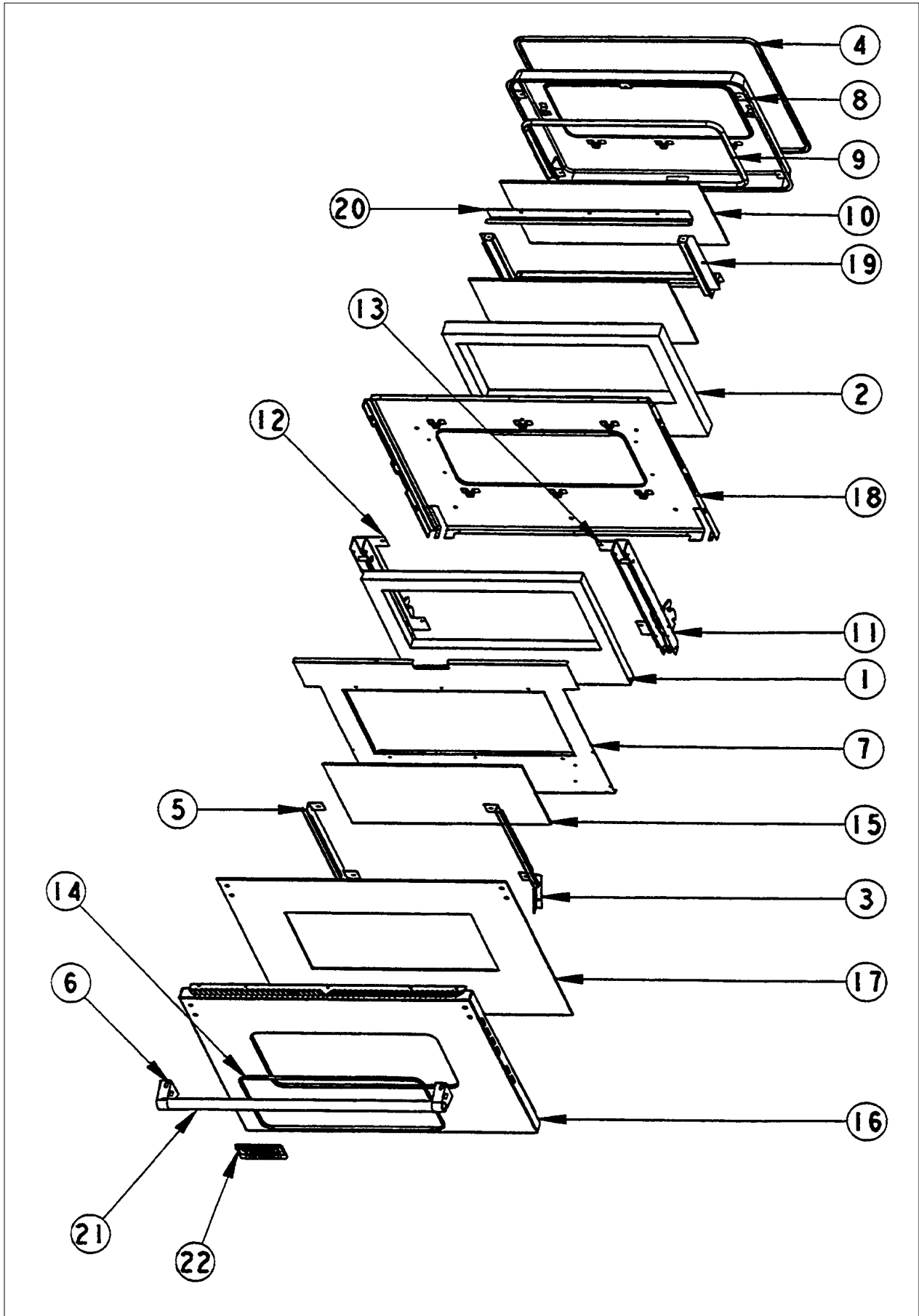


Item	Part No.	Name	Qty	Uom	NOTES
Not Shown	G3204338EPBR	DOOR ASSY *EP/BR* (VESO176/DO276)	1	EA	NO LONGER AVAILABLE, Not available online / Call for pricing and availability
Not Shown	G3204338FG	DOOR ASSY *FG* (VESO176/DO276)	1	EA	NO LONGER AVAILABLE, Not available online / Call for pricing and availability
Not Shown	G3204338FGBR	DOOR ASSY *FG/BR* (VESO176/DO276)	1	EA	NO LONGER AVAILABLE, Not available online / Call for pricing and availability
Not Shown	G3204338GG	DOOR ASSY *GG* (VESO176/DO276)	1	EA	NO LONGER AVAILABLE, Not available online / Call for pricing and availability
Not Shown	G3204338GGBR	DOOR ASSY *GG/BR* (VESO176/DO276)	1	EA	NO LONGER AVAILABLE, Not available online / Call for pricing and availability
Not Shown	G3204338LE	DOOR ASSY *LE* (VESO176/DO276)	1	EA	NO LONGER AVAILABLE, Not available online / Call for pricing and availability
Not Shown	G3204338LEBR	DOOR ASSY *LE/BR* (VESO176/DO276)	1	EA	NO LONGER AVAILABLE, Not available online / Call for pricing and availability
Not Shown	G3204338MJ	DOOR ASSY *MJ* (VESO176/DO276)	1	EA	NO LONGER AVAILABLE, Not available online / Call for pricing and availability
Not Shown	G3204338MJBR	DOOR ASSY *MJ/BR* (VESO176/DO276)	1	EA	NO LONGER AVAILABLE, Not available online / Call for pricing and availability
Not Shown	G3204338SG	DOOR ASSY *SG* (VESO176/DO276)	1	EA	NO LONGER AVAILABLE, Not available online / Call for pricing and availability
Not Shown	G3204338SGBR	DOOR ASSY *SG/BR* (VESO176/DO276)	1	EA	NO LONGER AVAILABLE, Not available online / Call for pricing and availability



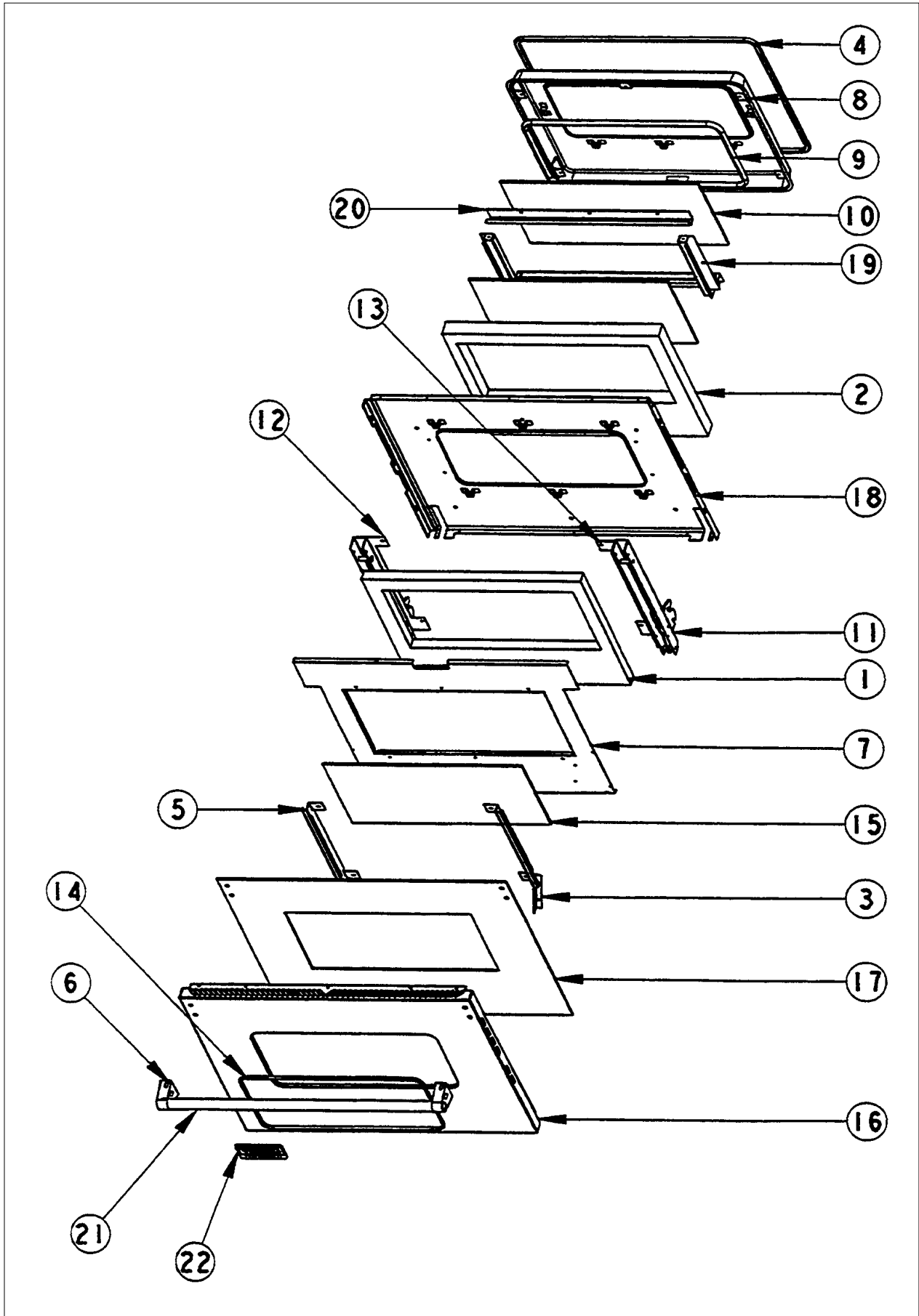


Item	Part No.	Name	Qty	Uom	NOTES
Not Shown	G3204338SS	DOOR ASSY *SS* (VESO176/DO276)	1	EA	
Not Shown	G3204338SSBR	DOOR ASSY *SS/BR* (VESO176/DO276)	1	EA	NO LONGER AVAILABLE, Not available online / Call for pricing and availability
Not Shown	G3204338VB	DOOR ASSY *VB* (VESO176/DO276)	1	EA	NO LONGER AVAILABLE, Not available online / Call for pricing and availability
Not Shown	G3204338VBBR	DOOR ASSY *VB/BR* (VESO176/DO276)	1	EA	NO LONGER AVAILABLE, Not available online / Call for pricing and availability
Not Shown	G3204338WH	DOOR ASSY *WH* (VESO176/DO276)	1	EA	NO LONGER AVAILABLE, Not available online / Call for pricing and availability
Not Shown	G3204338WHBR	DOOR ASSY *WH/BR* (VESO176/DO276)	1	EA	NO LONGER AVAILABLE, Not available online / Call for pricing and availability
1	PB070034	INSULATION-TRS-10 1" X 20" X 77' ROLL	1	EA	
2	PB070038	TRS-10 2" X 24" X 3' INSULATION	1	EA	
3	A2002497	DOOR GUIDE ANGLE VDSC	1	EA	
4	000623-000	DOOR GASKET(3/8"DIA.) (VDSC)	1	EA	
5	A2002367	DOOR GLASS BRKT	1	EA	
6	000268-000	HANDLE ENDCAP	1	EA	
Not Shown	PE030001PVD	END CAP DOOR HANDLE *BR	1	EA	
7	A2004332	DOOR INSULATION RETAINER (27"OVEN)	1	EA	
8	G50010124	VESO176/VEDO276 DR LINER SVC-KIT	1	EA	
9	000594-000	BLACK FIBERGLASS ROPE 3/8	1	EA	
10	PE060023	HEAT TREATED DR GLASS(27"WALL OVEN)	1	EA	
11	PC020188	DOOR HINGE	1	EA	



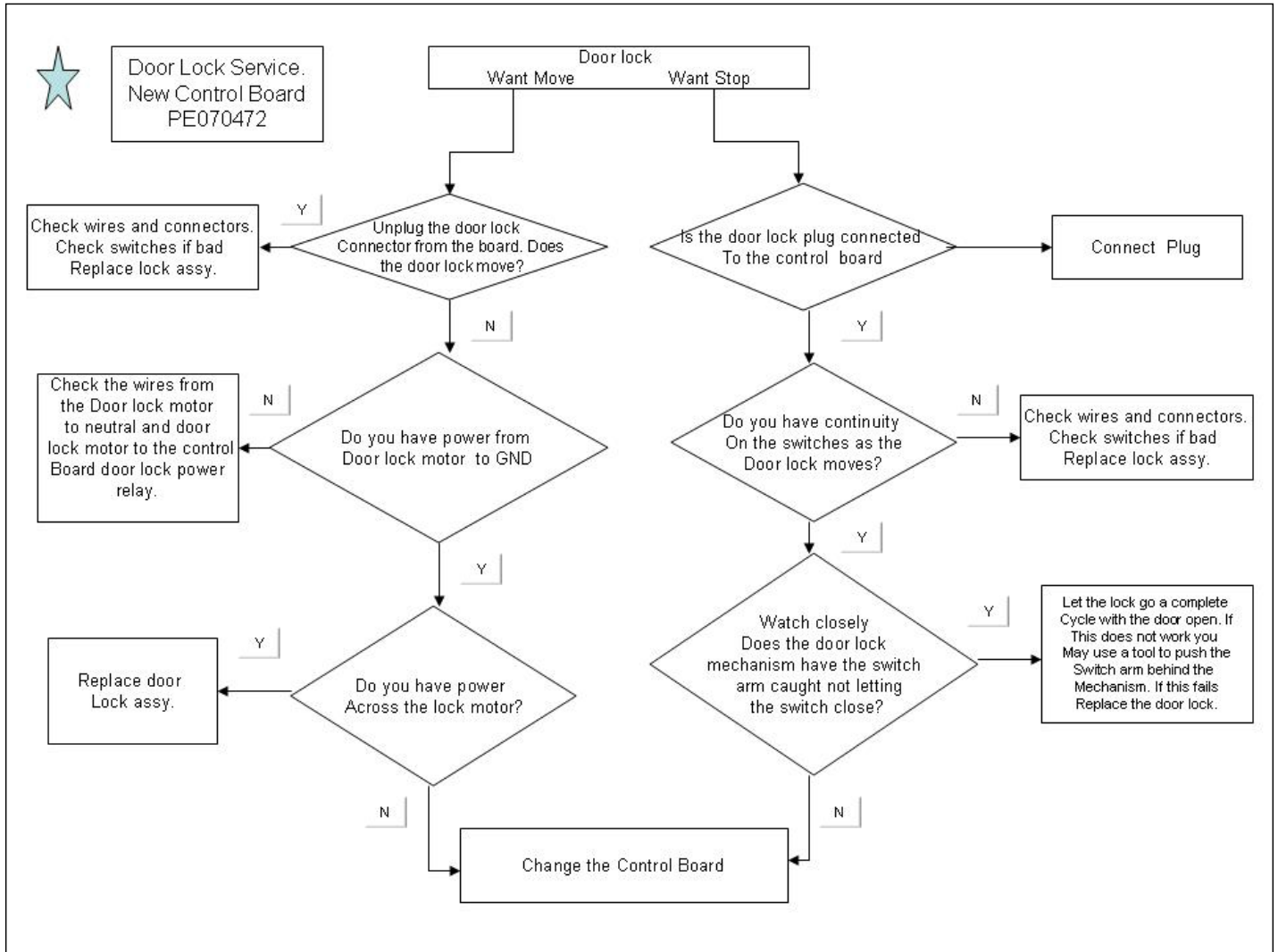


Item	Part No.	Name	Qty	Uom	NOTES
12	A2008437	HINGE BRACKET - LH	1	EA	Not available online / Call for pricing and availability
13	A2002962	HINGE BRACKET - RH (VEDO/VESO)	1	EA	
14	PE060050	J-MOLD *CHROME* (27" OVEN)	1	EA	
Not Shown	PE060051	J-MOLD *BR* (27" OVEN)	1	EA	NO LONGER AVAILABLE
15	PE060022	OUTER DOOR GLASS (27" WALL OVEN)	1	EA	
16	B2004326	OUTSIDE DOOR PANEL(VEDO276/VESO176)	1	EA	
Not Shown	C9004326AL	OUTER DOOR PAN *AL* (27"OVEN)	1	EA	NO LONGER AVAILABLE, Not available online / Call for pricing and availability
Not Shown	C9004326BK	OUTER DOOR PAN *BK* (27"OVEN)	1	EA	NO LONGER AVAILABLE
Not Shown	C9004326BT	OUTER DOOR PAN *BT* (27"OVEN)	1	EA	NO LONGER AVAILABLE, Not available online / Call for pricing and availability
Not Shown	C9004326BU	OUTER DOOR PAN *BU* (27"OVEN)	1	EA	NO LONGER AVAILABLE, Not available online / Call for pricing and availability
Not Shown	C9004326CB	OUTER DOOR PAN *CB* (27"OVEN)	1	EA	NO LONGER AVAILABLE, Not available online / Call for pricing and availability
Not Shown	C9004326EP	OUTER DOOR PAN *EP* (27"OVEN)	1	EA	NO LONGER AVAILABLE, Not available online / Call for pricing and availability
Not Shown	C9004326FG	OUTER DOOR PAN *FG* (27"OVEN)	1	EA	NO LONGER AVAILABLE, Not available online / Call for pricing and availability
Not Shown	C9004326GG	OUTER DOOR PAN *GG* (27"OVEN)	1	EA	NO LONGER AVAILABLE

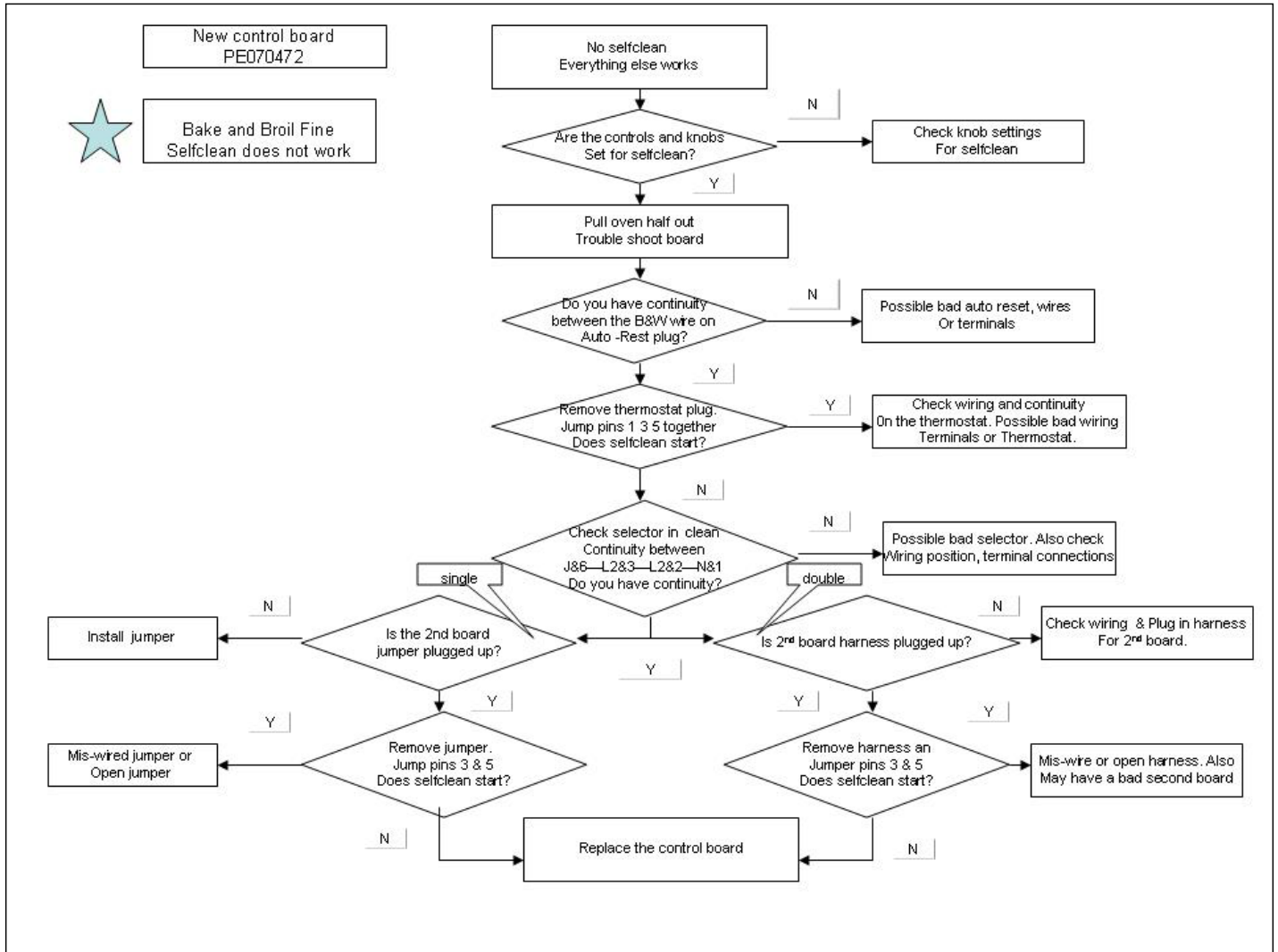


Item	Part No.	Name	Qty	Uom	NOTES
Not Shown	C9004326LE	OUTER DOOR PAN *LE* (27"OVEN)	1	EA	NO LONGER AVAILABLE, Not available online / Call for pricing and availability
Not Shown	C9004326MJ	OUTER DOOR PAN *MJ* (27"OVEN)	1	EA	NO LONGER AVAILABLE, Not available online / Call for pricing and availability
Not Shown	C9004326SG	OUTER DOOR PAN *SG* (27"OVEN)	1	EA	NO LONGER AVAILABLE
Not Shown	C9004326VB	OUTER DOOR PAN *VB* (27"OVEN)	1	EA	NO LONGER AVAILABLE, Not available online / Call for pricing and availability
Not Shown	C9004326WH	OUTER DOOR PAN *WH* (27"OVEN)	1	EA	NO LONGER AVAILABLE
17	J1004330	DOOR HEAT SINK (VESO176/DO276)	1	EA	
18	G50010124	VESO176/VEDO276 DR LINER SVC-KIT	1	EA	
19	E9102179	WINDOW LINER-SIDE (VDSC)	1	EA	
20	E9102178	WINDOW LINER-TOP/BTM (VDSC)	1	EA	
21	PE030074	DOOR HANDLE SS (27" WALL OVEN)	1	EA	
Not Shown	PE030075	DOOR HANDLE BR (27" WALL OVEN)	1	EA	Not available online / Call for pricing and availability
22	PE010016	LOGO (ALL RANGES) *BK/CHR 307997W	1	EA	
Not Shown	PE010017	LOGO (VGSO,VEDO,VGDO,VUD) *WH/CHR	1	EA	
Not Shown	PE010079	4.5" LOGO/VIKING PROF *BK/BR	1	EA	
Not Shown	PE010080	4.5" LOGO/VIKING PROF *WH/BR	1	EA	
NI	B1009167	HINGE CLIP	1	EA	
NI	PD020032	SRW-8(A)X3/8"PH.WFR HD 7/16DIA*NICL	1	EA	

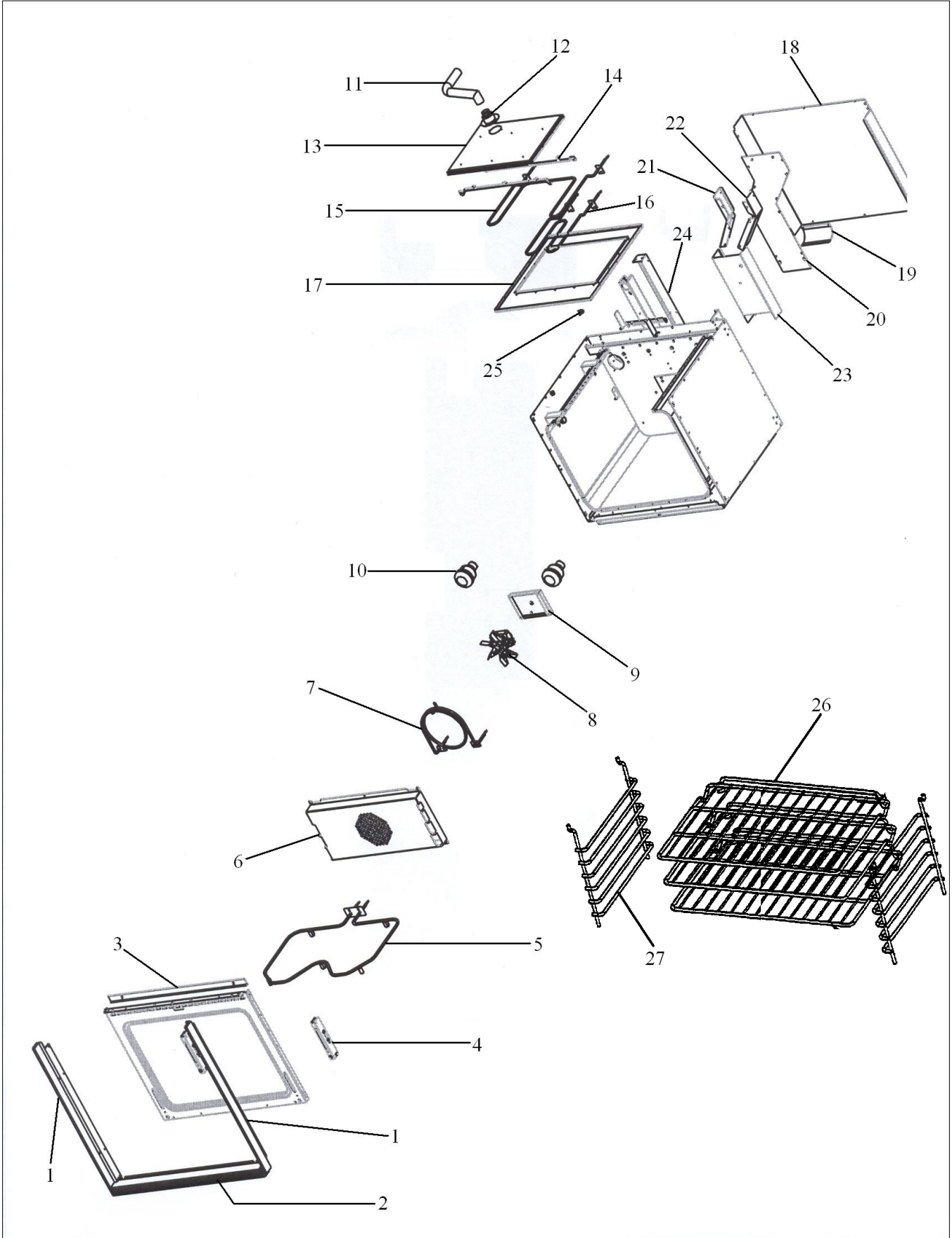
FLOW CHART NEW BOARD DOOR LOCK



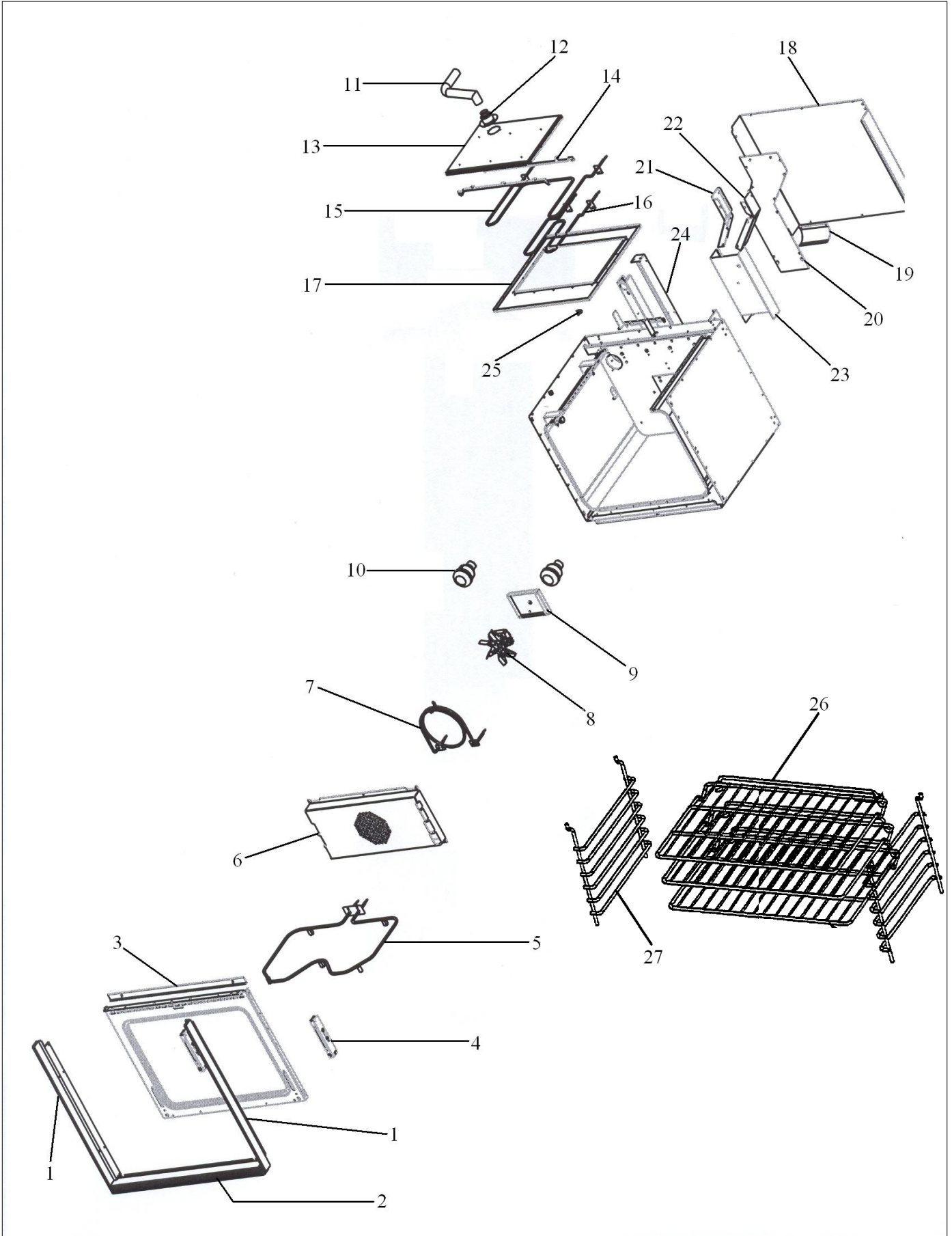
FLOW CHART SELF CLEAN



OVEN ASSY



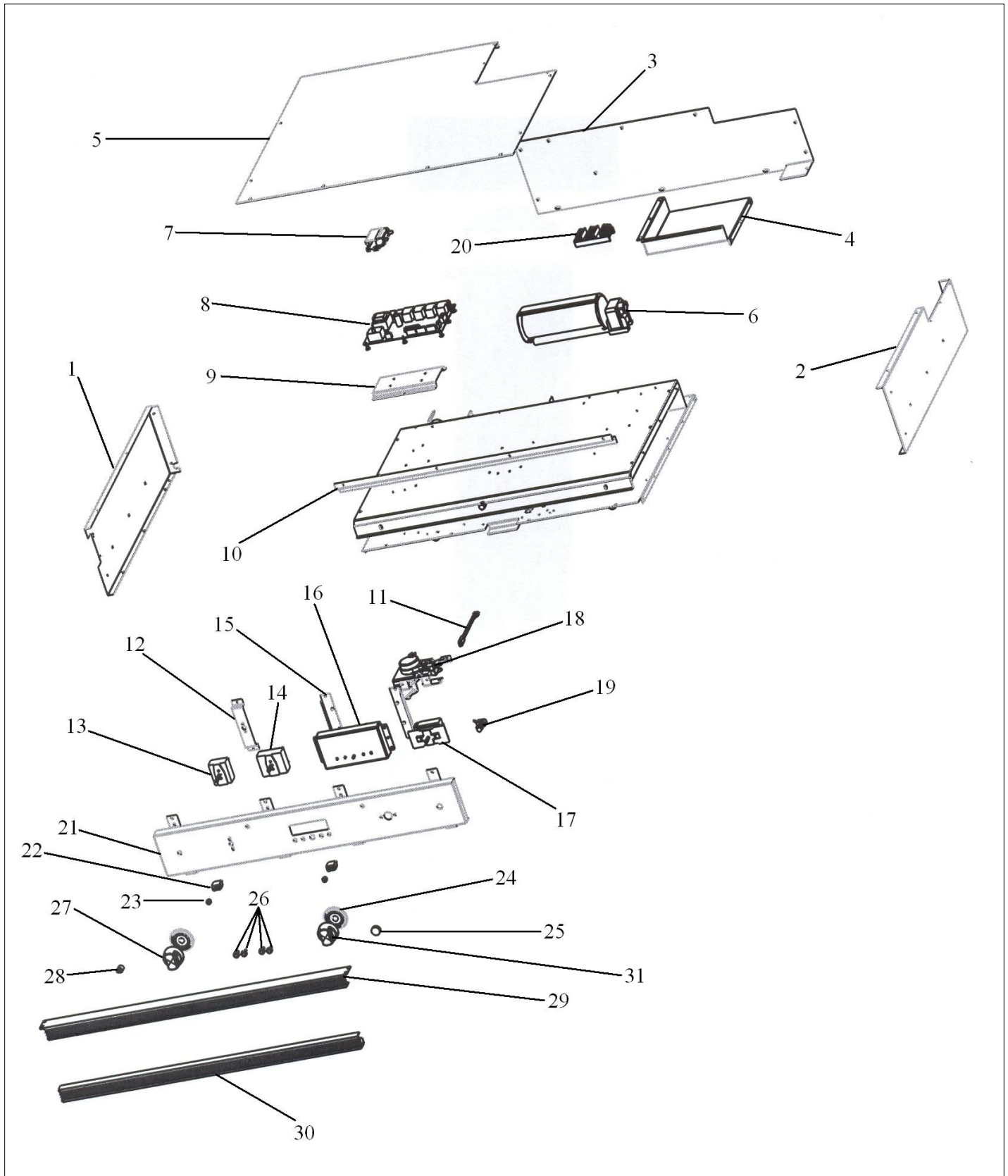
Item	Part No.	Name	Qty	Uom	NOTES
1	PE040071	SIDE TRIM-EXTRUDED (VESO105)	1	EA	
2	PE040219	BOTTOM TRIM	1	EA	Not available online / Call for pricing and availability
3	H9108575	27" UPPER FRONT FRAME ASSY	1	EA	NO LONGER AVAILABLE
4	PC020016	HINGE RECEIVER (VEDO/VEDO)	1	EA	
5	PJ010012	BAKE ELEMENT (VESO176/VEDO276)240V	1	EA	
6	E9104309	CONVECTION FAN COVER	1	EA	NO LONGER AVAILABLE
7	PJ010003	CONVECTION ELEMENT (VDSC) 240V	1	EA	
8	PE050005	CONVECTION FAN ASSY	1	EA	
9	A2002595	CONVECTION FAN BOX (VDSC)	1	EA	
10	031449-000	LAMP, ASM	1	EA	
11	PB020117	DESIGNER OVEN VENT	1	EA	NO LONGER AVAILABLE
12	PM010014	SMOKE ELIMINATOR (VDSC)	1	EA	
13	B2004311	BROILER TOP (27") (VESO176/DO276)	1	EA	NO LONGER AVAILABLE
14	B2004315	BROIL ELEMENT BRKT (VESO176/DO276)	1	EA	NO LONGER AVAILABLE, Not available online / Call for pricing and availability
15	PJ010011	OUTSIDE BROIL ELEMENT (27" OVEN)240	1	EA	
16	PJ010001	BROIL ELEMENT 240V	1	EA	
17	E9104302	OVEN TOP (VEDO276/VESO176)	1	EA	NO LONGER AVAILABLE, Not available online / Call for pricing and availability
18	A2007877	27" UPPER OUTER BACK	1	EA	NO LONGER AVAILABLE, Not available online / Call for pricing and availability
19	A2006182	AIR SCOOP	1	EA	NO LONGER AVAILABLE



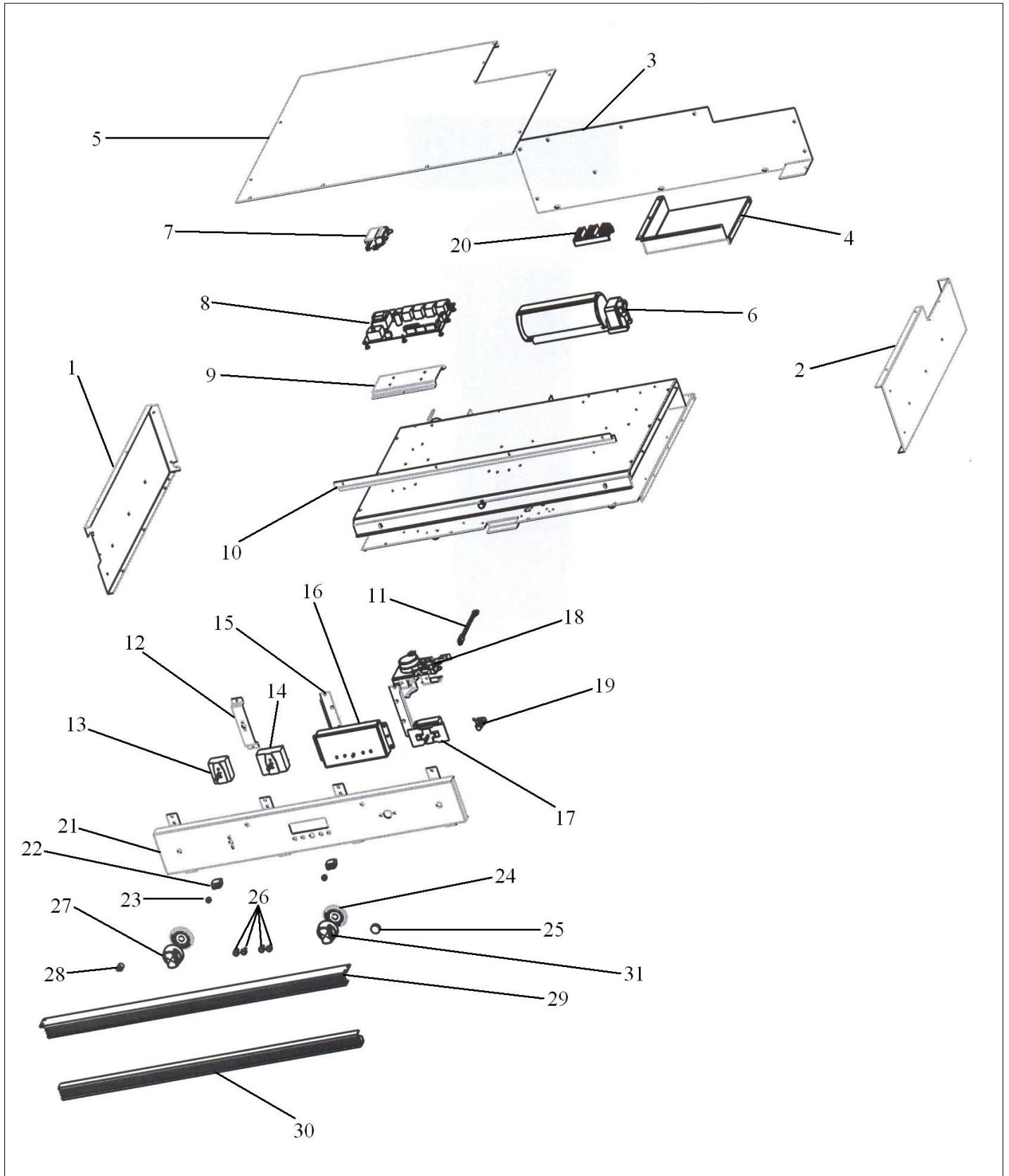


Item	Part No.	Name	Qty	Uom	NOTES
20	A1006190	SINGLE OVEN COVER PLATE	1	EA	NO LONGER AVAILABLE, Not available online / Call for pricing and availability
21	A2006324	VENT SIDE LH	1	EA	NO LONGER AVAILABLE, Not available online / Call for pricing and availability
22	A2006323	VENT SIDE RH	1	EA	NO LONGER AVAILABLE, Not available online / Call for pricing and availability
23	A2006326	LOWER AIR VENT SINGLE	1	EA	NO LONGER AVAILABLE, Not available online / Call for pricing and availability
24	A2006189	SINGLE OVEN FLUE COVER	1	EA	NO LONGER AVAILABLE, Not available online / Call for pricing and availability
25	PJ030002	AUTO RESET (SELF-CLEAN) VDSC	1	EA	
26	PB060048	OVEN RACK - 27"	1	EA	NO LONGER AVAILABLE
27	PB060030	RACK SUPT REPL PB060010	1	EA	
NI	PE050115	MEAT PROBE JACK (SWITCHCRAFT'S PART# 3J1505)	1	EA	
<p>Comments for Part Num. PE050115</p> <p>bradleysapplianceservice@shaw.ca on May 8, 2017 Meat probe is not illustrated on Parts Break Down. PE050114 MEAT PROBE</p>					
NI	PM010160	MEAT PROBE JACK COVER (SWITCHCRAFT'S PART# 2C1098)	1	EA	

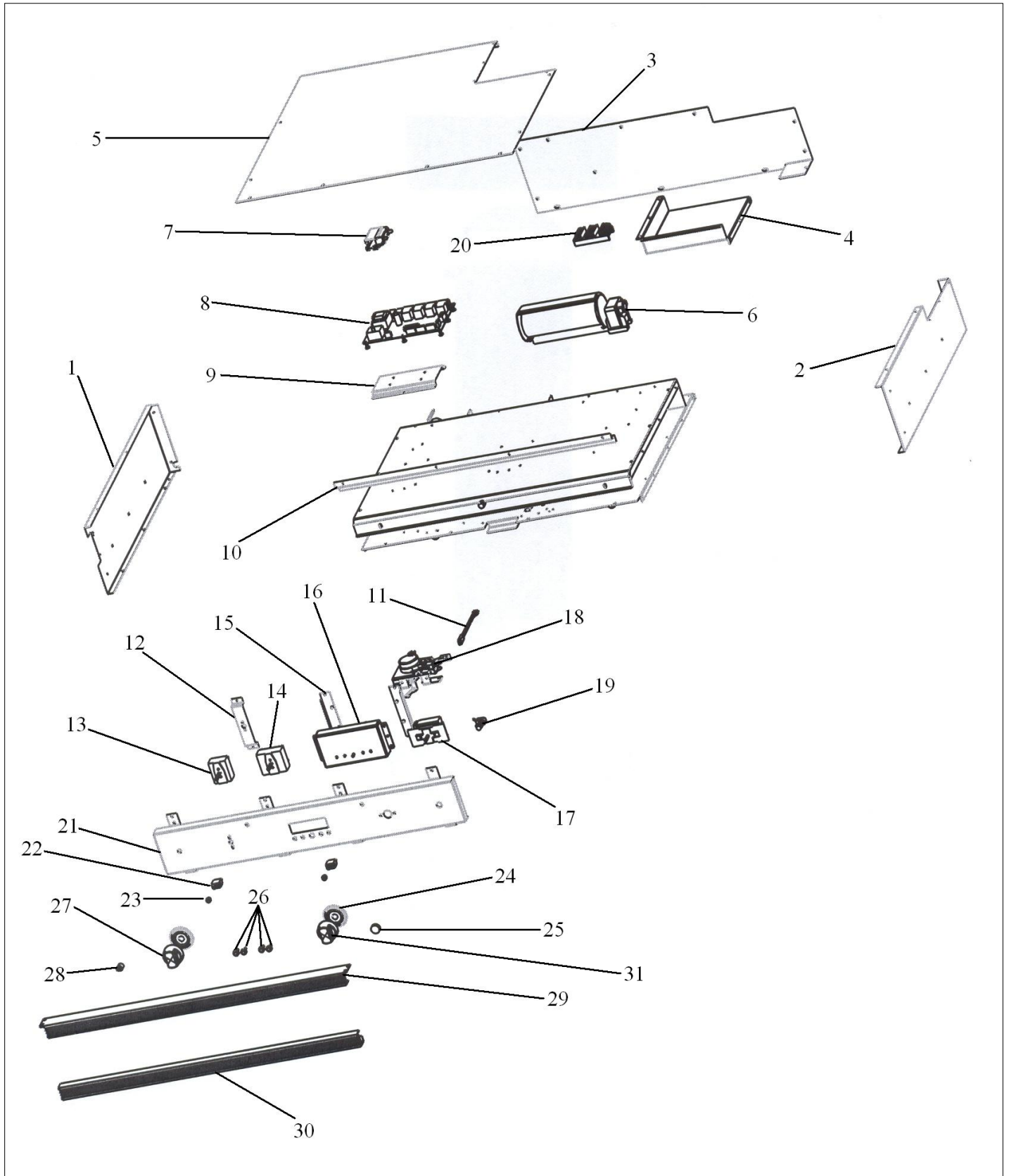
TOP ASSY



Item	Part No.	Name	Qty	Uom	NOTES
1	A2007699	CABINET SIDE LH	1	EA	NO LONGER AVAILABLE, Not available online / Call for pricing and availability
2	A2007698	CABINET SIDE RH	1	EA	NO LONGER AVAILABLE, Not available online / Call for pricing and availability
3	A2008558	27" TOP REAR COVER	1	EA	NO LONGER AVAILABLE, Not available online / Call for pricing and availability
4	A2008543	TOP CHANNEL	1	EA	NO LONGER AVAILABLE, Not available online / Call for pricing and availability
5	A2008556	27" CABINET TOP	1	EA	NO LONGER AVAILABLE, Not available online / Call for pricing and availability
6	PE050087	BLOWER ASSEMBLY - DESIGNER SERIES	1	EA	
7	PJ030002	AUTO RESET (SELF-CLEAN) VDSC	1	EA	
8	PE070786	ELECTRONIC CONTROL BOARD	1	EA	
9	A2009884	AUTO RESET BRACKET	1	EA	NO LONGER AVAILABLE, Not available online / Call for pricing and availability
10	E9108559	TOP VENT COVER 27"	1	EA	NO LONGER AVAILABLE, Not available online / Call for pricing and availability
11	PE050059	HI-LIMIT SWITCH	1	EA	
12	A2008526	SELECTOR BRACKET	1	EA	NO LONGER AVAILABLE
13	PJ030011	SWITCH (2-POSITION) VESO105	1	EA	
14	PJ030001	SELECTOR SWITCH (8-POSITION) VDSC	1	EA	
15	A2008527	CLOCK BRACKET	1	EA	
16	PE050213	PRO 120V DIGITAL CLOCK	1	EA	



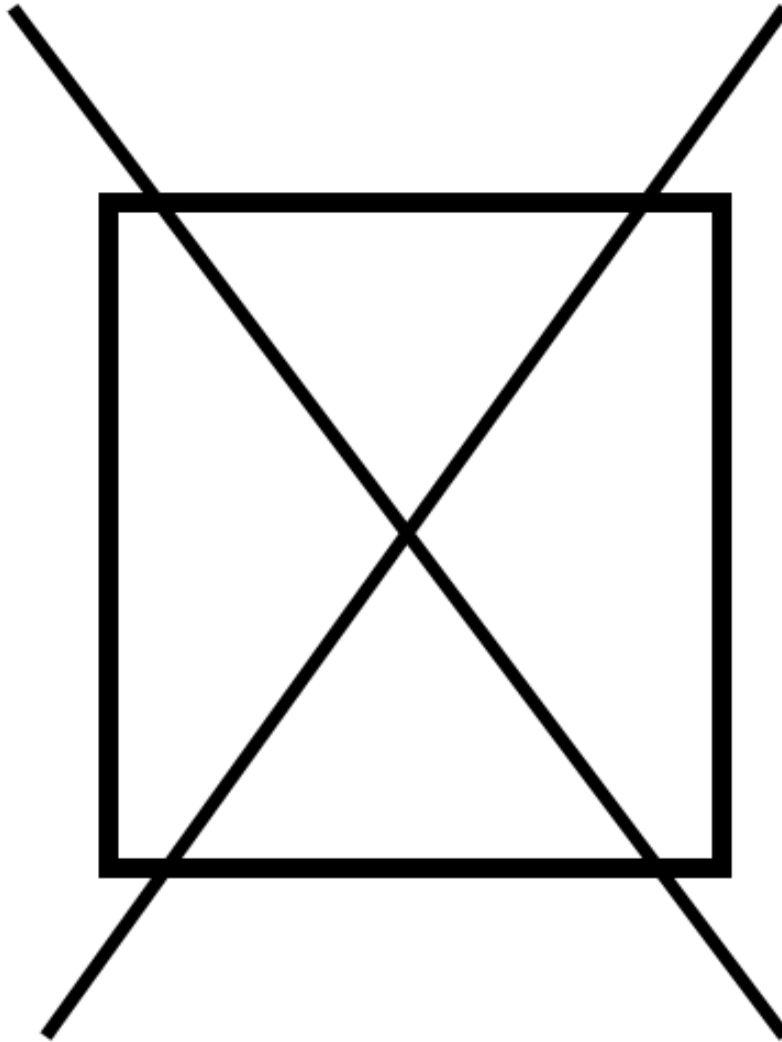
Item	Part No.	Name	Qty	Uom	NOTES
17	PS500033	SUB TO PS500033 - SELF CLEAN THERMOSTAT	1	EA	
18	PE050112	DOOR LATCH	1	EA	
19	PE050019	OVEN LIGHT SWITCH (VGSO166) 90-DEG.	1	EA	
20	PE070147	TERMINAL BLOCK (VDSC)	1	EA	
21	B9208563	27" SINGLE CONTROL PANEL	1	EA	NO LONGER AVAILABLE
Not Shown	C9208563BK	27" SINGLE CONTROL PANEL *BK*	1	EA	NO LONGER AVAILABLE, Not available online / Call for pricing and availability
Not Shown	C9208563WH	27" SINGLE CONTROL PANEL *WH*	1	EA	NO LONGER AVAILABLE, Not available online / Call for pricing and availability
22	PE050024	OVEN IND. LIGHT (LIGHT HOUSING)	1	EA	
<p>Comments for Part Num. PE050024</p> <p>haarnink@vikingrange.com on Jan 14, 2019</p> <p>please note that the indicator light is now part 043135-000 but needs the Jumper harness 051443-000. and second option there are units in the field with a 230V indicator light part number 036566-000.</p> <p>please check this for all "E" module ranges/Tops</p>					
23	PE050023	OVEN IND. LIGHT (LENS & BEZEL)	1	EA	
24	PB010152	Bezel - SS	1	EA	
Not Shown	PB010153	Bezel - BR	1	EA	
25	PB010163	OVEN LIGHT SWITCH KNOB *BK* (VESO/D	1	EA	
Not Shown	PB010164	OVEN LIGHT SWITCH KNOB *WH* (VESO/D	1	EA	
26	PB010248	CLOCK BUTTON	1	EA	
Not Shown	PB010249	PUSH BUTTON WHITE	1	EA	NO LONGER AVAILABLE, Not available online / Call for pricing and availability
27	PB010148	SELECTOR KNOB-*BK* (30"DOUBLE OVEN	1	EA	





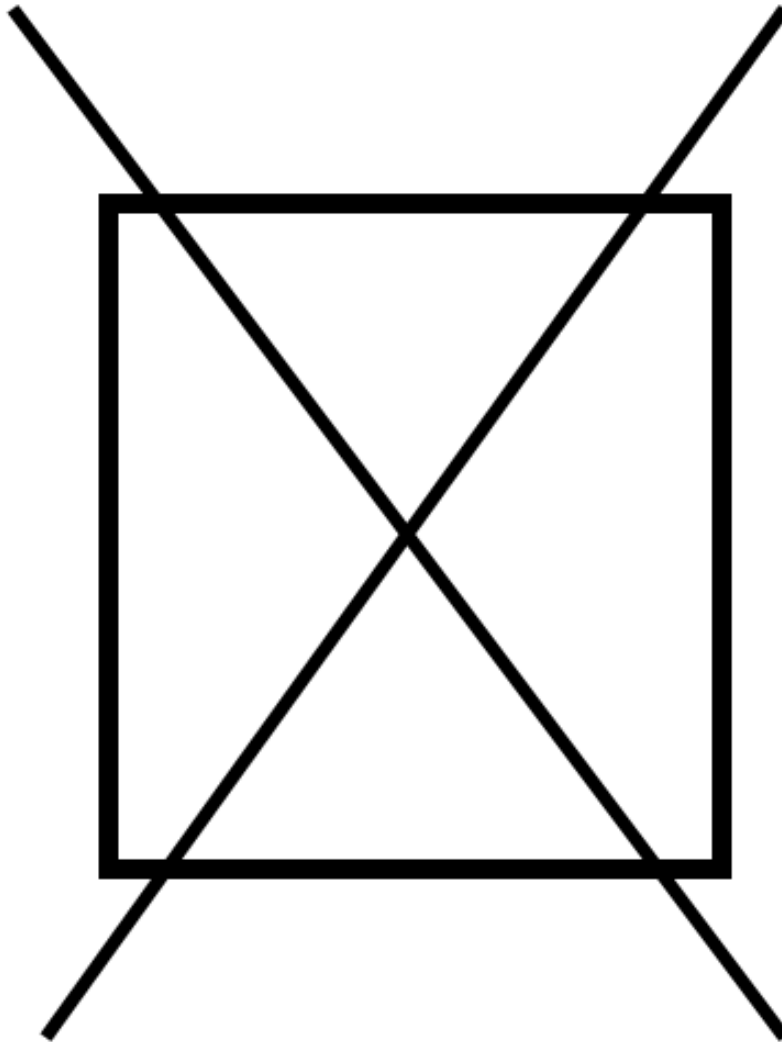
Item	Part No.	Name	Qty	Uom	NOTES
Not Shown	PB010149	SELECTOR KNOB-*WH* (30" B-IN OVEN)	1	EA	
28	PB010165	TIME MANUAL KNOB *BK* (VESO/VEDO)	1	EA	
Not Shown	PB010166	TIME MANUAL KNOB *WH* (VESO/VEDO)	1	EA	
29	PE040085	TOP EXTRUSION (27" VESO/DO)	1	EA	NO LONGER AVAILABLE
30	PE040217	LOWER CONTROL PANEL EXTRUSION	1	EA	NO LONGER AVAILABLE
31	PB010150	T/STAT KNOB-*BK* (30" B-IN OVEN)	1	EA	
Not Shown	PB010151	T/STAT KNOB-*WH* (30" B-IN OVEN)	1	EA	

NON ILLUSTRATED PART



Item	Part No.	Name	Qty	Uom	NOTES
1	E9104321	AIR VENT (27" OVEN)	1	EA	NO LONGER AVAILABLE, Not available online / Call for pricing and availability
2	PJ030002	AUTO RESET (SELF-CLEAN) VDSC	1	EA	
3	A2004310	CABINET BACK (VESO176/DO276)	1	EA	NO LONGER AVAILABLE, Not available online / Call for pricing and availability
4	A2002906	CABINET SIDE	1	EA	NO LONGER AVAILABLE, Not available online / Call for pricing and availability
5	A2002965	CABINET SIDE RH (VESO105)	1	EA	NO LONGER AVAILABLE, Not available online / Call for pricing and availability
6	PE110024	MOTOR FAN Y0042226	1	EA	NO LONGER AVAILABLE
7	A2002950	DIVIDER - VESO/VEDO	1	EA	NO LONGER AVAILABLE, Not available online / Call for pricing and availability
8	A2002956	FLOOR BRACE - VEDO205/VESO105	1	EA	NO LONGER AVAILABLE, Not available online / Call for pricing and availability
9	A1002456	THERMO-DISC BRKT (VDSC)	1	EA	
10	PE050112	DOOR LATCH	1	EA	
11	A2004312	FALSE FLOOR - 27" (VESO176/DO276)	1	EA	NO LONGER AVAILABLE, Not available online / Call for pricing and availability
12	A1004320	FAN COVER (VESO176)	1	EA	NO LONGER AVAILABLE, Not available online / Call for pricing and availability
13	A2002948	FAN DIVIDER - VESO/VEDO	1	EA	NO LONGER AVAILABLE, Not available online / Call for pricing and availability
14	PE050059	HI-LIMIT SWITCH	1	EA	

NON ILLUSTRATED PART



Item	Part No.	Name	Qty	Uom	NOTES
15	PJ030022	FAN SWITCH (HI-LIMIT SWITCH)	1	EA	
16	A2002911	FAN MTG BRKT	1	EA	NO LONGER AVAILABLE
17	A2002952	FLOOR BRACE - VESO/VEDO	1	EA	NO LONGER AVAILABLE, Not available online / Call for pricing and availability
18	A2002951	FLOOR SUPT - VESO/VEDO	1	EA	NO LONGER AVAILABLE, Not available online / Call for pricing and availability
19	A1002456	THERMO-DISC BRKT (VDSC)	1	EA	
20	PM010029	RELAY (DOUBLE POLE-DOUBLE THROW)TEM	1	EA	
21	PM010129	RELAY	1	EA	
22	PD030033	GROMMET NUT-ROUND HD. #8 X .500DIA.	1	EA	
23	PE070246	20 WATT 100 OHM RESISTOR	1	EA	
24	PE050001	TERMINAL BOARD	1	EA	
25	PE070148	SELF-CLEAN BOARD/TIMER (VDSC)	1	EA	
26	PE070147	TERMINAL BLOCK (VDSC)	1	EA	
27	A2004318	TOP COVER (VESO176/DO276)	1	EA	NO LONGER AVAILABLE, Not available online / Call for pricing and availability
28	G3008412	TOP INSULATION RETAINER ASSY.	1	EA	Not available online / Call for pricing and availability
29	A2002909	VENT BTM	1	EA	NO LONGER AVAILABLE
30	A2002910	VENT TOP	1	EA	NO LONGER AVAILABLE
31	A2002954	CABINET COVER	1	EA	NO LONGER AVAILABLE, Not available online / Call for pricing and availability
32	PE110031	BLADE FAN Y0314548	1	EA	NO LONGER AVAILABLE



Appendix A:Pages Index

DOOR ASSY 1
FLOW CHART NEW BOARD DOOR LOCK 2
FLOW CHART SELF CLEAN 3
OVEN ASSY 4
TOP ASSY 5
TOP ASSY (10-24-04 TO 12-1-04) 6



Appendix B:Parts Index

000268-000	1	A2009884	5
000594-000	1	B1009167	1
000623-000	1	B2004311	4
031449-000	4	B2004315	4
A1002456	6, 6	B2004326	1
A1004320	6	B9208563	5
A1006190	4	C9004326AL	1
A2002367	1	C9004326BK	1
A2002497	1	C9004326BT	1
A2002595	4	C9004326BU	1
A2002906	6	C9004326CB	1
A2002909	6	C9004326EP	1
A2002910	6	C9004326FG	1
A2002911	6	C9004326GG	1
A2002948	6	C9004326LE	1
A2002950	6	C9004326MJ	1
A2002951	6	C9004326SG	1
A2002952	6	C9004326VB	1
A2002954	6	C9004326WH	1
A2002956	6	C9208563BK	5
A2002962	1	C9208563WH	5
A2002965	6	E9102178	1
A2004310	6	E9102179	1
A2004312	6	E9104302	4
A2004318	6	E9104309	4
A2004332	1	E9104321	6
A2006182	4	E9108559	5
A2006189	4	G3008412	6
A2006323	4	G3204338AL	1
A2006324	4	G3204338ALBR	1
A2006326	4	G3204338BK	1
A2007698	5	G3204338BKBR	1
A2007699	5	G3204338BT	1
A2007877	4	G3204338BTBR	1
A2008437	1	G3204338BU	1
A2008526	5	G3204338BUBR	1
A2008527	5	G3204338CB	1
A2008543	5	G3204338CBBR	1
A2008556	5	G3204338EP	1
A2008558	5	G3204338EPBR	1
		G3204338FG	1



G3204338FGBR	1	PE010079	1
G3204338GG	1	PE010080	1
G3204338GGBR	1	PE030001PVD	1
G3204338LE	1	PE030074	1
G3204338LEBR	1	PE030075	1
G3204338MJ	1	PE040071	4
G3204338MJBR	1	PE040085	5
G3204338SG	1	PE040217	5
G3204338SGBR	1	PE040219	4
G3204338SS	1	PE050001	6
G3204338SSBR	1	PE050005	4
G3204338VB	1	PE050019	5
G3204338VBBR	1	PE050023	5
G3204338WH	1	PE050024	5
G3204338WHBR	1	PE050059	5, 6
G50010124	1, 1	PE050087	5
H9108575	4	PE050112	5, 6
J1004330	1	PE050115	4
PB010148	5	PE050213	5
PB010149	5	PE060022	1
PB010150	5	PE060023	1
PB010151	5	PE060050	1
PB010152	5	PE060051	1
PB010153	5	PE070147	5, 6
PB010163	5	PE070148	6
PB010164	5	PE070246	6
PB010165	5	PE070786	5
PB010166	5	PE110024	6
PB010248	5	PE110031	6
PB010249	5	PJ010001	4
PB020117	4	PJ010003	4
PB060030	4	PJ010011	4
PB060048	4	PJ010012	4
PB070034	1	PJ030001	5
PB070038	1	PJ030002	4, 5, 6
PC020016	4	PJ030011	5
PC020188	1	PJ030022	6
PD020032	1	PM010014	4
PD030033	6	PM010029	6
PE010016	1	PM010129	6
PE010017	1	PM010160	4



PS500033 5