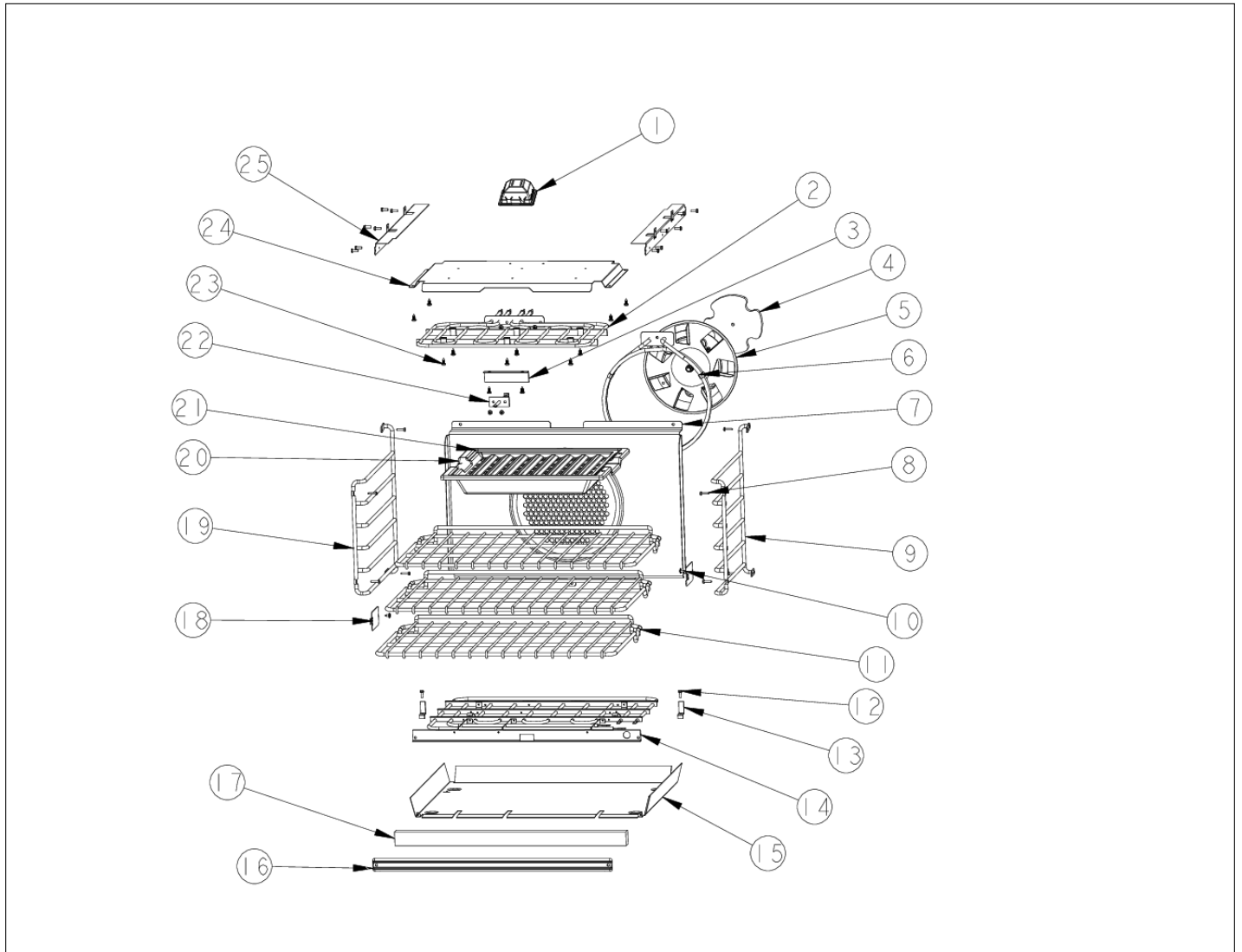


VESO127T

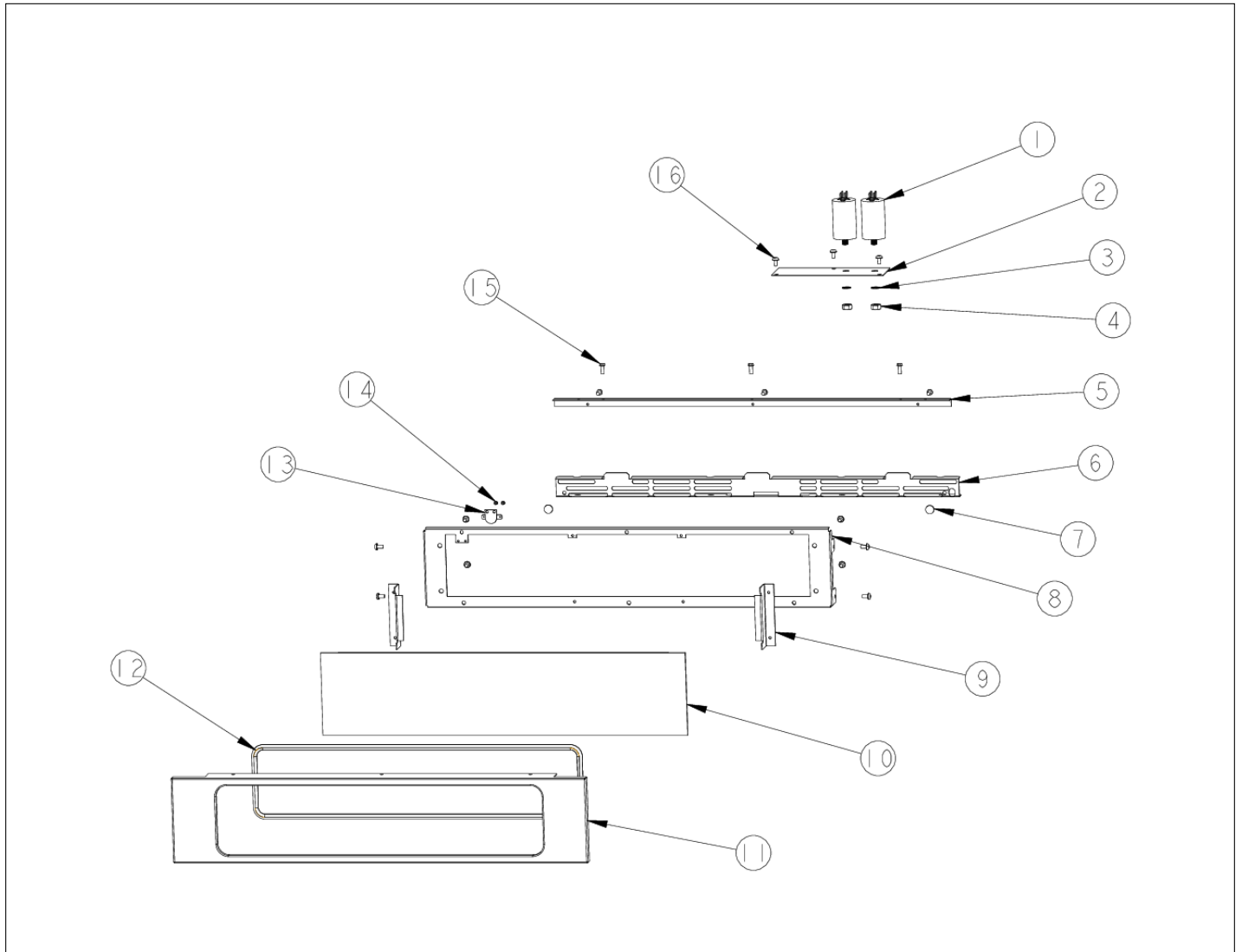
CAVITY INT	1
CONTROL AREA	2
DOOR ASSEMBLY	3
OVEN ELEC	4
OVEN EXTERIOR	5
SIMPLE HARNESSSES 1	6
SIMPLE HARNESSSES 2	7
TOUCH CONTROL DISPLAY HARNESS	8
TOUCH CONTROL KEYBOARD HARNESS	9
UNIT REAR	10
UPPER CONTROL HARNESS	11
Appendix A:Pages Index	A
Appendix B:Parts Index	B





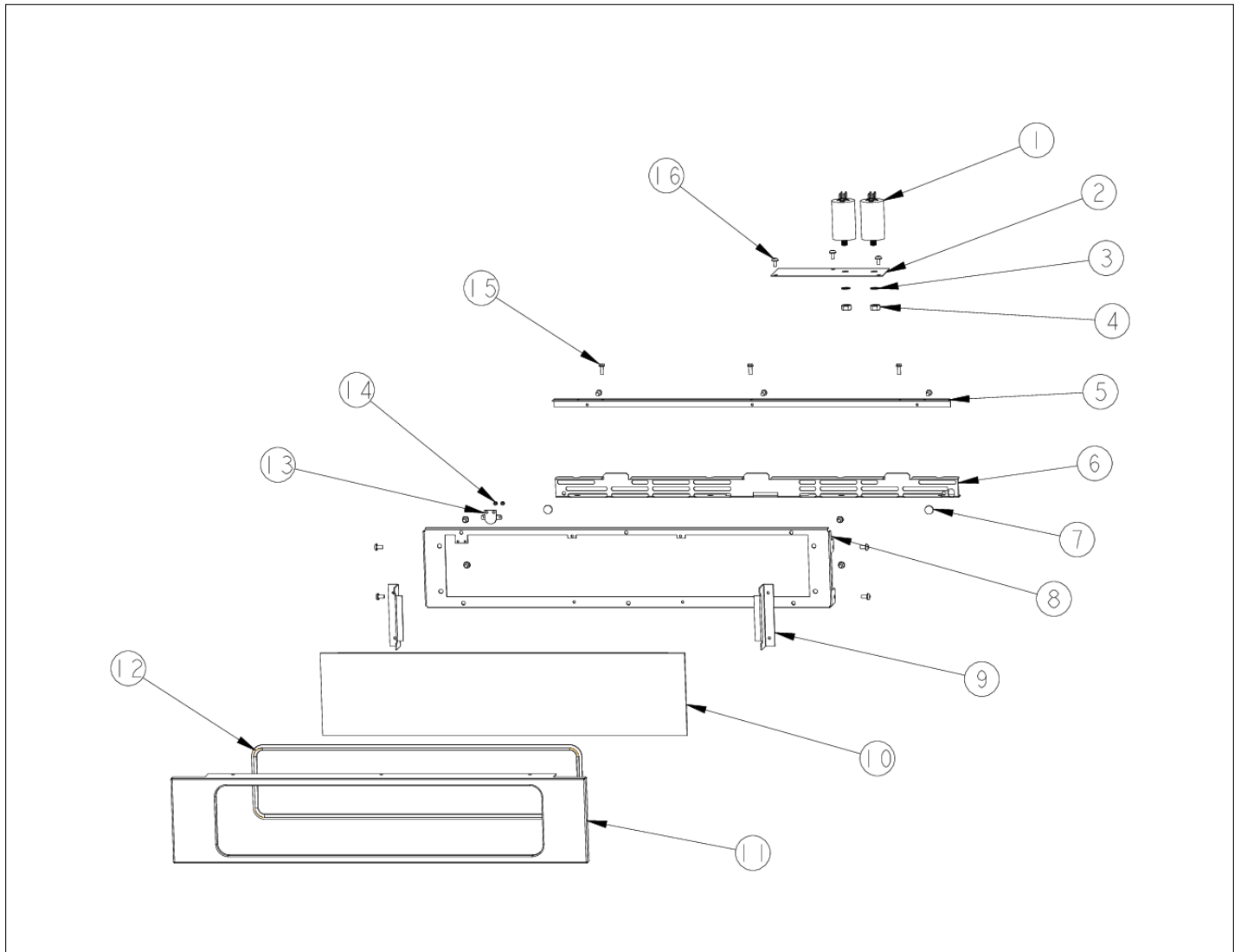
Item	Part No.	Name	Qty	Uom	NOTES
1	020403-000	LAMP, OVEN, 120V/40W	1	EA	
2	PJ010049	BROIL ELEMENT	1	EA	
3	A20014044	BROIL ELEMENT SHIELD	1	EA	
4	PB070312	CONVECTION MOTOR MTG. PLATE INSULATION	1	EA	
5	G32014020	CONVECTION FAN ASSY	1	EA	
6	PJ010047	CONVECTION ELEMENT	1	EA	
7	G91013597	27" BAFFLE ASSEMBLY	1	EA	
8	PD020232	#8 X 3/4" PH PAN HEAD TEK SCREW (BLACK OXIDE)	8	EA	
9	PB060103	RACK SUPPORT RH	1	EA	
10	PD020063	SCREW-#8(A) X 3/8"PH WFR HD/BK OXID	2	EA	
11	041045-000	RACK, DF, PRO, 27"	3	EA	
12	PD020060	10 X 1/2" (5/16)HEX WSHER HD.(T)A	14	EA	
13	A2009696	HOLDER, BAKE ELEMENT	2	EA	
14	PJ010048	BAKE ELEMENT	1	EA	
15	A20010932	ELEMENT, MTG TRAY	1	EA	NO LONGER AVAILABLE
16	E9109655	COVER, BAKE TRAY	1	EA	
17	PB070309	BAKE ELEMENT INSULATION	1	EA	
18	E91012614	LIGHT HOLE COVER	2	EA	
19	PB060104	RACK SUPPORT LH	1	EA	
20	E9107933	BROILER PAN	1	EA	
21	E9107934	BROILER PAN INSERT - NLA	1	EA	
22	PE050206	RTD THERMOSTAT PROBE	1	EA	
23	PD020055	' #10 X 1/2" PAN PHIL. TEK.*SS*	16	EA	
24	A20014021	REFLECTOR, BROIL	1	EA	
25	A2009641	BRKT, TOP WRAPPER	2	EA	

CONTROL AREA





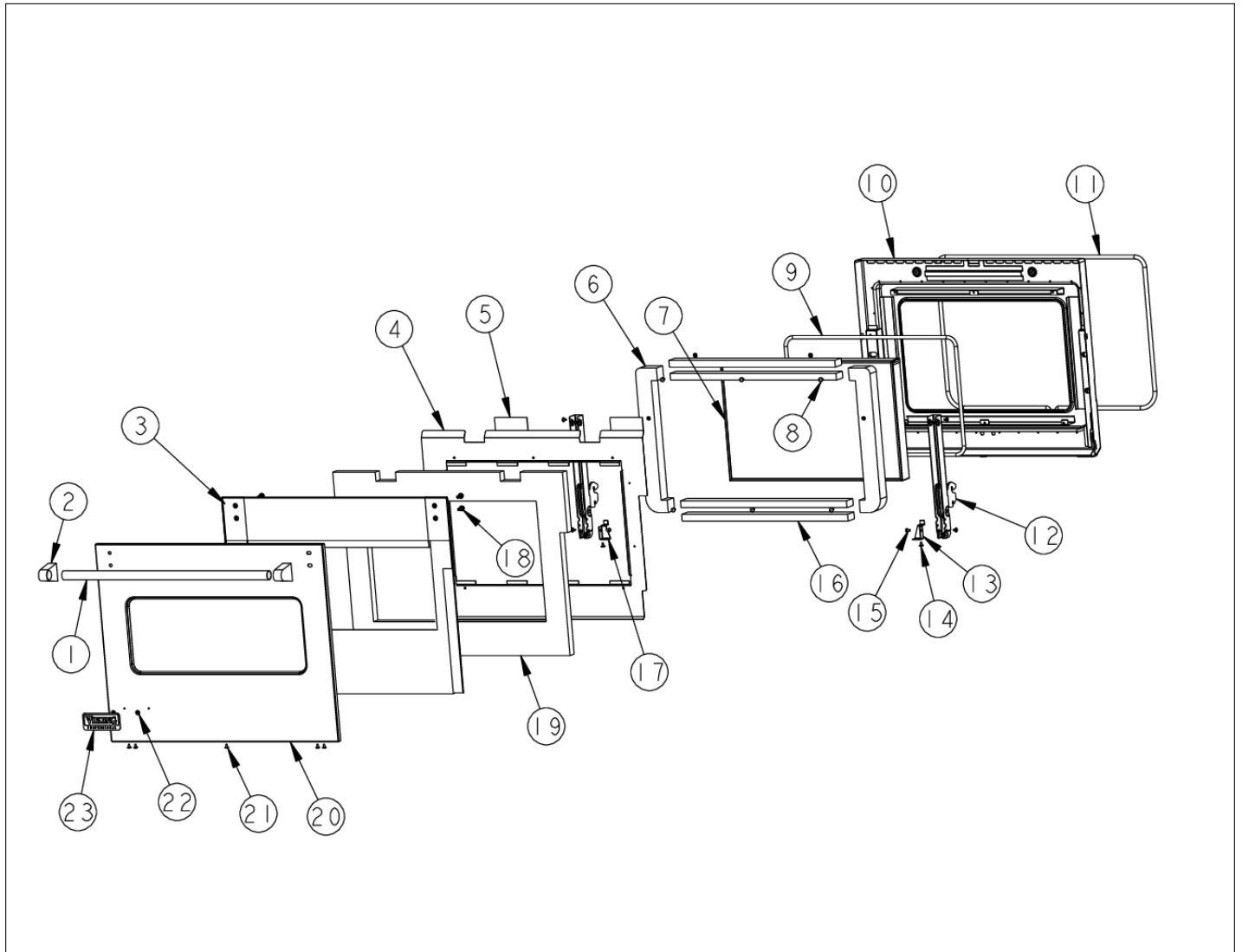
Item	Part No.	Name	Qty	Uom	NOTES
1	036047-000	CAPACITOR, CONV MOTOR, INTL	2	EA	
2	A10014028	2 CAPACITOR BRACKET	1	EA	
<p>Comments for Part Num. A10014028</p> <p>service@priorityappliance.com on Jan 17, 2019</p> <p>The capacitors are part # 036047-000, found by looking up a VEDO130. Confirmed - they're the same capacitor.</p>					
3	PD040164	5/16 INTERNAL TOOTH LOCK WASHER TYPE A	2	EA	
4	PD030172	M8 X 1.25MM NUT	2	EA	
5	002534-000	30 Pro Touch Control Pnl Brkt	1	EA	Not available online / Call for pricing and availability
6	C90014073BK	Inlet Grille - BK	1	EA	
6	C90014073WH	Inlet Grille - WH	1	EA	
7	PD040004	GROMMET BUMPER	2	EA	
8	002458-000	27" Double Touch Control Mtg Panel	1	EA	
9	000238-000	Touch Control Mtg Bracket	2	EA	Not available online / Call for pricing and availability
10	002460-000	PROFESSIONAL SINGLE SELECT TOUCH CONTROL	1	EA	
<p>Comments for Part Num. 002460-000</p> <p>bradleysapplianceservice@shaw.ca on Mar 5, 2018</p> <p>SUBS TO: 036796-2020 TOUCH PANEL CONTROL</p> <p>NLA - PARTS NOT AVAILABLE</p>					
11	002457-000BK	27" Professional Control Panel - BK	1	EA	Not available online / Call for pricing and availability
11	002457-000SS	27" Professional Control Panel - SS	1	EA	Not available online / Call for pricing and availability
11	002457-000WH	27" Professional Control Panel - WH	1	EA	Not available online / Call for pricing and availability





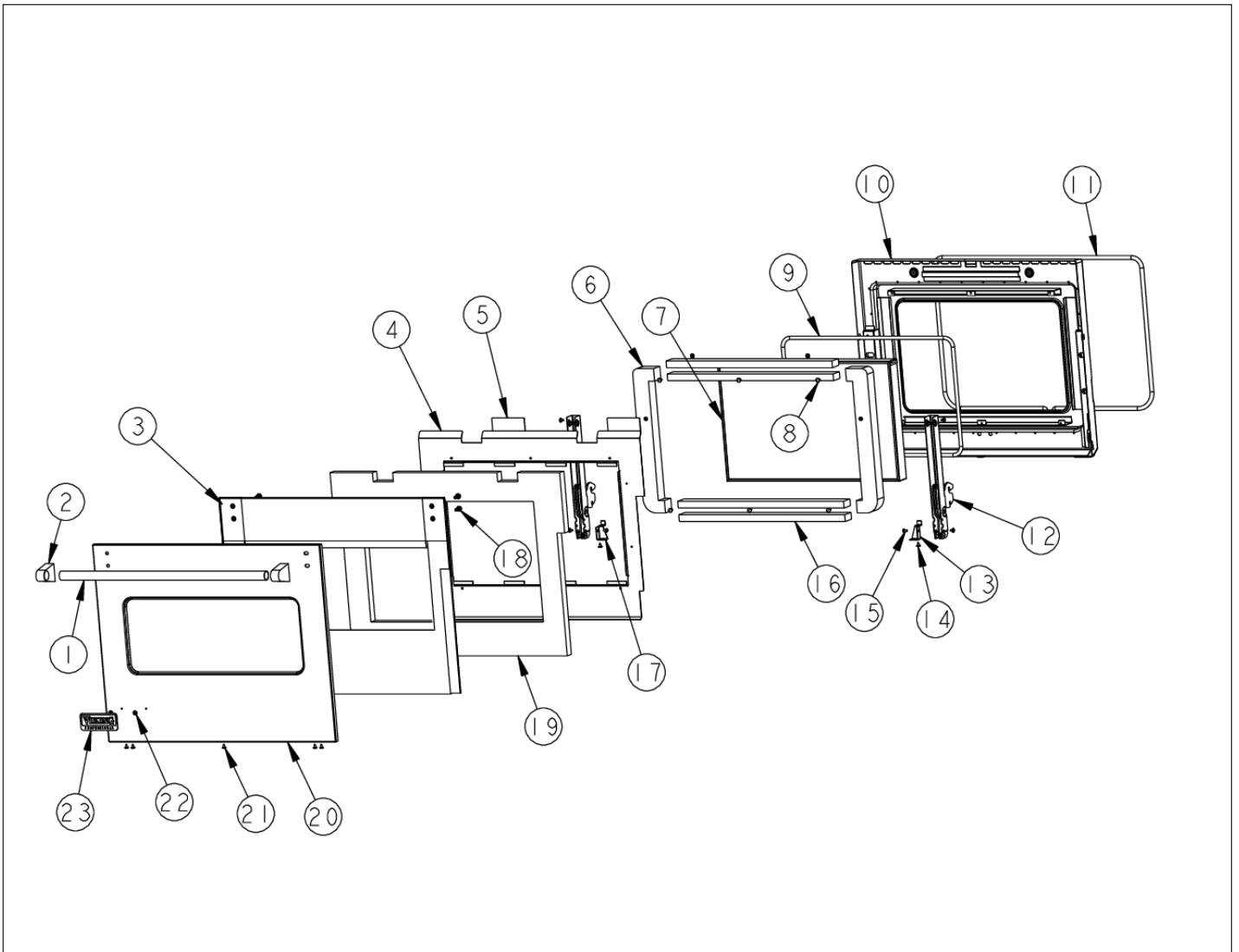
Item	Part No.	Name	Qty	Uom	NOTES
12	002007-000	27" J Mold	1	EA	Not available online / Call for pricing and availability
13	PJ030043	Bi Metal Thermostat - 150 Degrees	1	EA	
14	PD020013	TYPE "AB" #6 X 3/8 PH PAN HD. SMS	2	EA	
15	PD020004	10X3/8PH.HD.TYPE 25 REPL PD040125	11	EA	
16	PD020060	10 X 1/2" (5/16)HEX WSHER HD.(T)A	6	EA	

DOOR ASSEMBLY

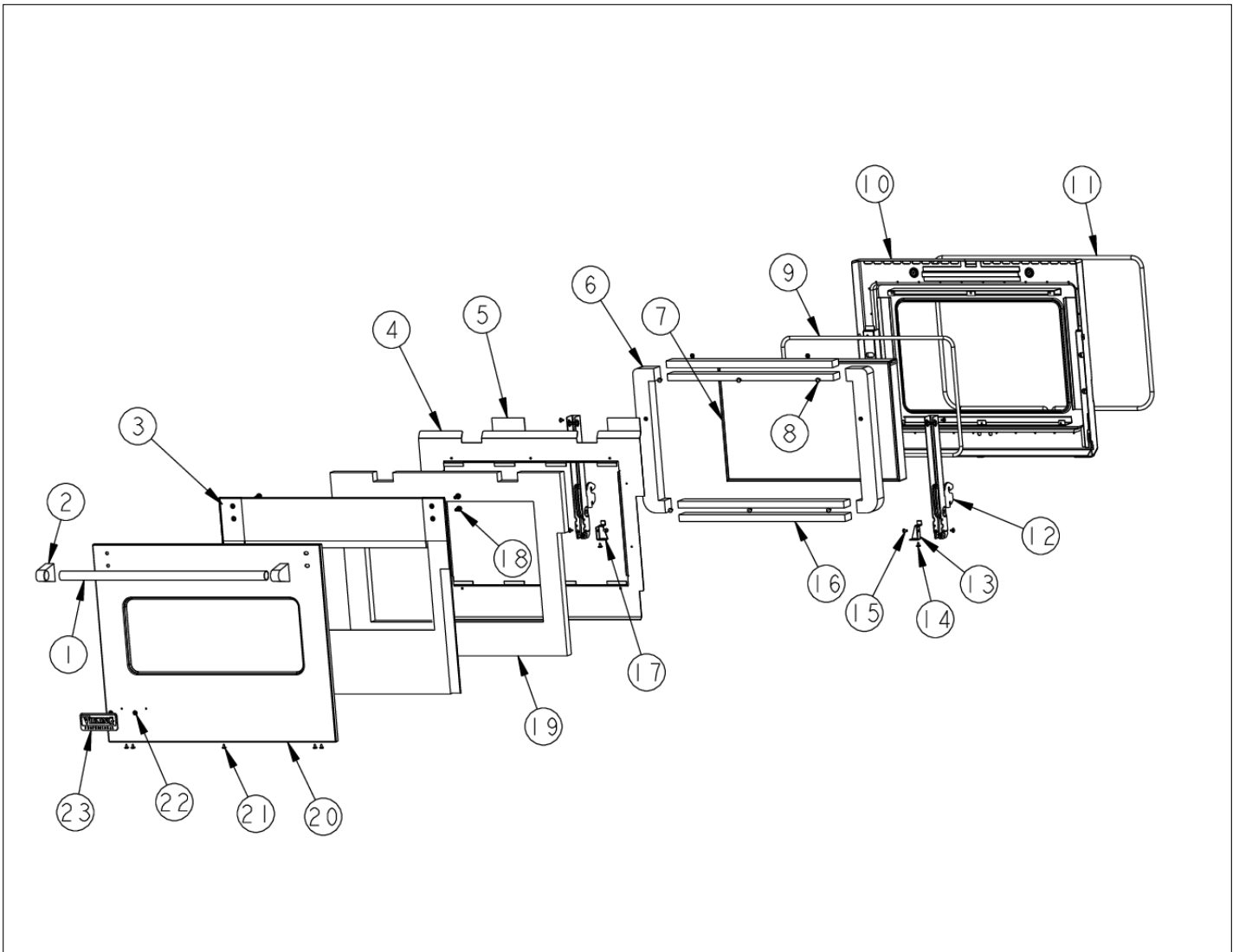




Item	Part No.	Name	Qty	Uom	NOTES
1	PE030178	27" PROF. DOOR HANDLE	1	EA	
1	PE030178PVD	27" PROF. DOOR HANDLE *PVD*	1	EA	Not available online / Call for pricing and availability
2	000268-000	HANDLE ENDCAP	2	EA	
2	PE030001PVD	END CAP DOOR HANDLE *BR	2	EA	
3	001501-000	Pro 27" Insulation Retainer Kit (After 7-17-06)	1	EA	NO LONGER AVAILABLE
4	A20010949	PANEL, INSULATION, INNNER DOOR	1	EA	
5	PB070336	Door Bracket Insulation	1	EA	
6	PB070271	DOOR PLUG INSULATION	2	EA	
7	PE060093	27" WINDOW PACK	1	EA	
8	PD020002	10 X 1/2 PH.TR.HD.SMS.	8	EA	
9	000594-000	BLACK FIBERGLASS ROPE 3/8	1	EA	
10	G91010942	DOOR LINER PORC.	1	EA	
Comments for Part Num. G91010942					
gboltz@VikingRange.com on Jun 7, 2016					
Correct part number is G91019042BK					
11	PB070245	27" DOOR GASKET	1	EA	
12	006071-000	DOOR HINGE	2	EA	
13	A20012640	HINGE SUPPORT RH	1	EA	
14	PD020063	SCREW-#8(A) X 3/8"PH WFR HD/BK OXID	2	EA	
15	PD020004	10X3/8PH.HD.TYPE 25 REPL PD040125	6	EA	
16	PB070273	Window Pack Insulation	2	EA	
17	A20012641	HINGE SUPPORT LH	1	EA	
18	PD020186	1/4"-20 X 3/4" HEX WASHER HEAD MS	4	EA	Not available online / Call for pricing and availability
19	PB070276	27" DOOR INSULATION	1	EA	
20	PS500014BK	27" PRO DOOR SKIN SERVICE KIT W/LOGO AFTER 07/17/06 - BK	1	EA	Not available online / Call for pricing and availability



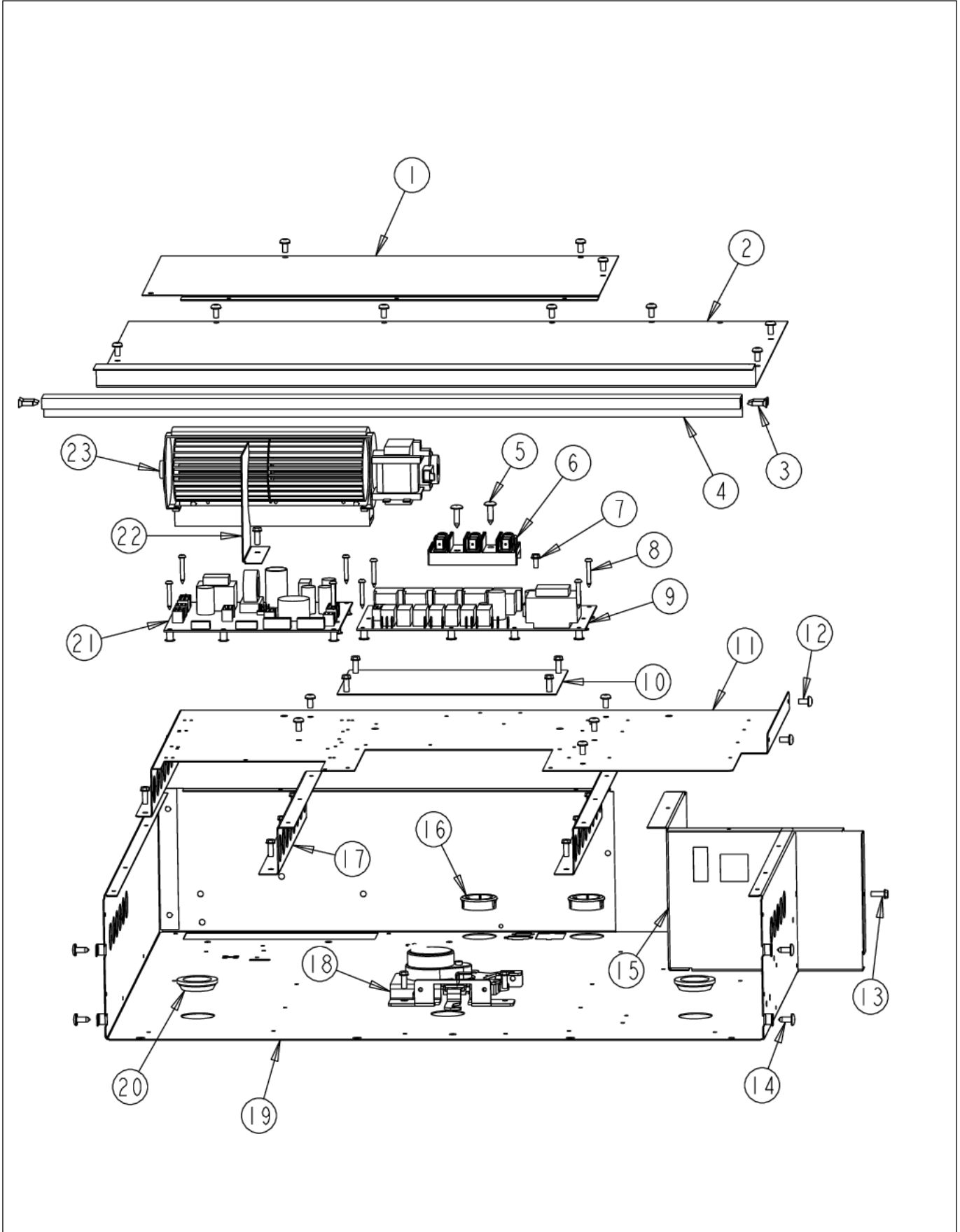
Item	Part No.	Name	Qty	Uom	NOTES
20	PS500014BKBR	27" PRO DOOR SKIN SERVICE KIT W/LOGO AFTER 07/17/06 - BK/BR	1	EA	NO LONGER AVAILABLE, Not available online / Call for pricing and availability
20	PS500014SS	27" PRO DOOR SKIN SERVICE KIT W/LOGO AFTER 07/17/06 - SS	1	EA	
20	PS500014SSBR	27" PRO DOOR SKIN SERVICE KIT W/LOGO AFTER 07/17/06-SS/BR	1	EA	NO LONGER AVAILABLE, Not available online / Call for pricing and availability
20	PS500014WH	27" PRO DOOR SKIN SERVICE KIT W/LOGO AFTER 07/17/06 - WH	1	EA	
20	PS500014WHBR	27" PRO DOOR SKIN SERVICE KIT W/LOGO AFTER 07/17/06 - WH/BR	1	EA	NO LONGER AVAILABLE
21	PD020032	SRW-8(A)X3/8"PH.WFR HD 7/16DIA*NICL	5	EA	
22	PD030006	CAPPED WASHER PAL NUT	2	EA	
23	PE010016	LOGO (ALL RANGES) *BK/CHR 307997W	1	EA	
23	PE010017	LOGO (VGSO,VEDO,VGDO,VUD) *WH/CHR	1	EA	
23	PE010079	4.5" LOGO/VIKING PROF *BK/BR	1	EA	
23	PE010080	4.5" LOGO/VIKING PROF *WH/BR	1	EA	
NI	G32012719BK	27" DOOR ASSY W/LOGO *BK*	1	EA	Not available online / Call for pricing and availability
NI	G32012719BKBR	27" DOOR ASSY W/LOGO *BKBR*	1	EA	NO LONGER AVAILABLE, Not available online / Call for pricing and availability
NI	G32012719SS	27" DOOR ASSY W/LOGO	1	EA	
NI	G32012719SSBR	27" DOOR ASSY W/LOGO *SSBR*	1	EA	NO LONGER AVAILABLE
NI	G32012719WH	27" DOOR ASSY W/LOGO *WH*	1	EA	
NI	G32012719WHBR	27" DOOR ASSY W/LOGO *WHBR*	1	EA	NO LONGER AVAILABLE, Not available online / Call for pricing and availability



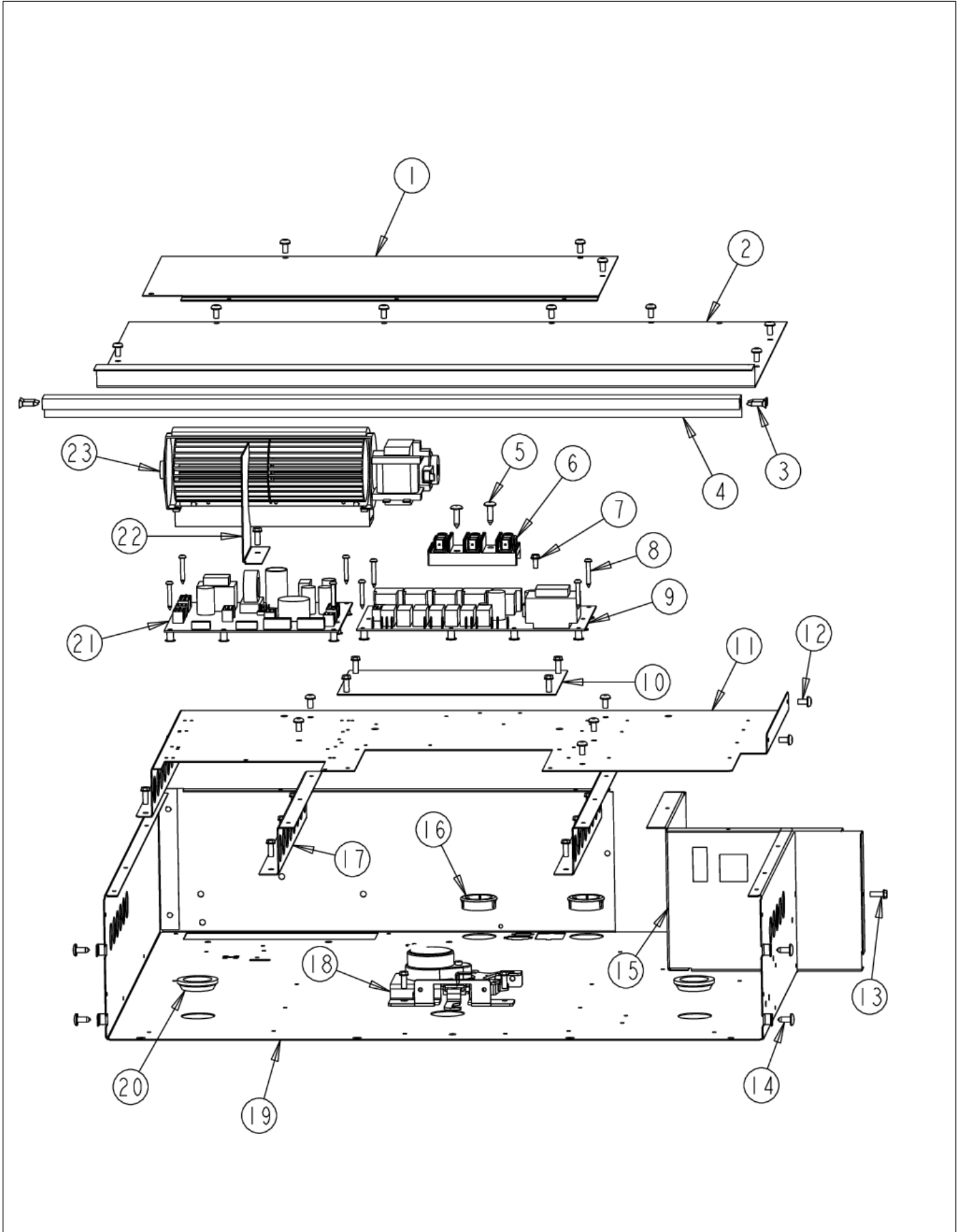


Item	Part No.	Name	Qty	Uom	NOTES
NI	017736-000	WINDOW PACK INSULATION KIT	1	EA	

OVEN ELEC



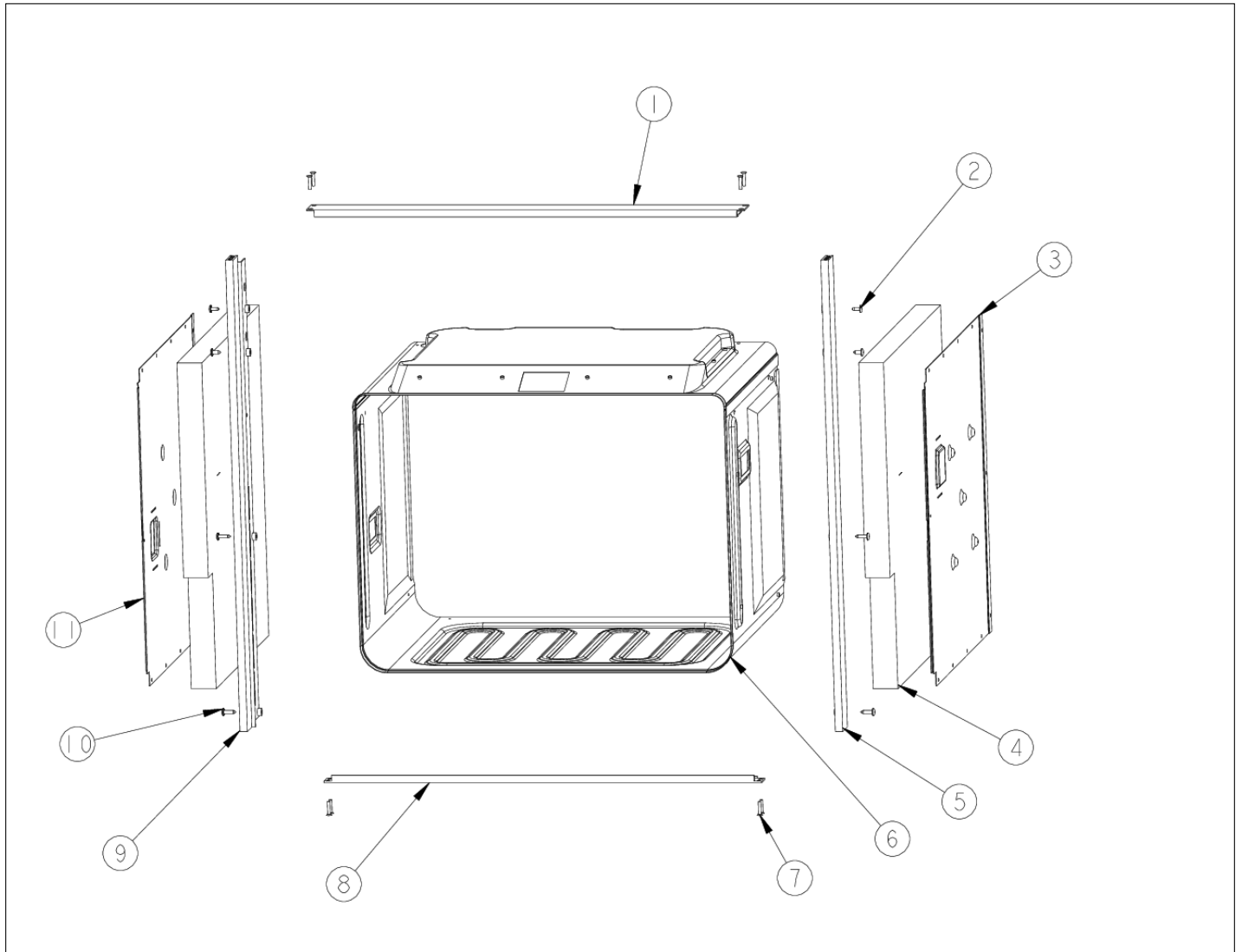
Item	Part No.	Name	Qty	Uom	NOTES
1	A20014047	Rear Cover	1	EA	Not available online / Call for pricing and availability
2	A20014046	Front Cover	1	EA	Not available online / Call for pricing and availability
3	PD020061	' #8 X 3/4 FLAT HD TEK. *SS*	N/A	EA	
4	PE040279	27" DES. TOP TRIM	N/A	EA	NO LONGER AVAILABLE, Not available online / Call for pricing and availability
5	PD020014	10X3/4 PH TR HD SMS	2	EA	
6	PE070147	TERMINAL BLOCK (VDSC)	1	EA	
7	PD020010	10 X 3/8 GREEN GROUNDING SCREW	1	EA	
8	PD020185	Screw, 6 X 1" Pan Head	8	EA	
9	PE050234	RELAY BOARD	1	EA	
10	A10010911	Latch Cover	1	EA	
11	A20010935	Electronics Hat	1	EA	Not available online / Call for pricing and availability
12	PD020004	10X3/8PH.HD.TYPE 25 REPL PD040125	24	EA	
13	PD020060	10 X 1/2" (5/16)HEX WSHER HD.(T)A	25	EA	
14	PD020002	10 X 1/2 PH.TR.HD.SMS.	4	EA	
15	A20010934	BRACKET, MODULE PAN	1	EA	
16	PD040152	SNAP BUSHING	2	EA	
17	A20010910	Support Bracket, Electronics Hat	2	EA	Not available online / Call for pricing and availability
18	PE050233	Control Board	1	EA	
19	A20010933	MODULE PAN 27"	N/A	EA	NO LONGER AVAILABLE, Not available online / Call for pricing and availability
20	PB070079	SILICONE EXTRUSION (DGSU)	3	EA	
21	PE050233	Control Board	1	EA	





Item	Part No.	Name	Qty	Uom	NOTES
22	A2009667	REAR AIR DIVIDER	1	EA	
23	PE050250	Blower	1	EA	
Comments for Part Num. PE050250					
highendappsvc@gmail.com on Jan 28, 2019					
If you need to replace cooling fan for the model vgsc5486gss serial date code 031412, do not order this fan, this fan is larger and configured wrong. The correct fan is 007794-000. it is smaller.					
Not Shown	NOTE	(BEFORE 02/04/13)		EA	
23	018607-000	FAN, BLO, 220-240V 50/60Hz ASM (MT1664)	1	EA	
Not Shown	NOTE	(ON OR AFTER 02/04/13)		EA	
NI	PE050208	DOOR SWITCH	1	EA	
NI	A20012649	DOOR SWITCH BRACKET	1	EA	

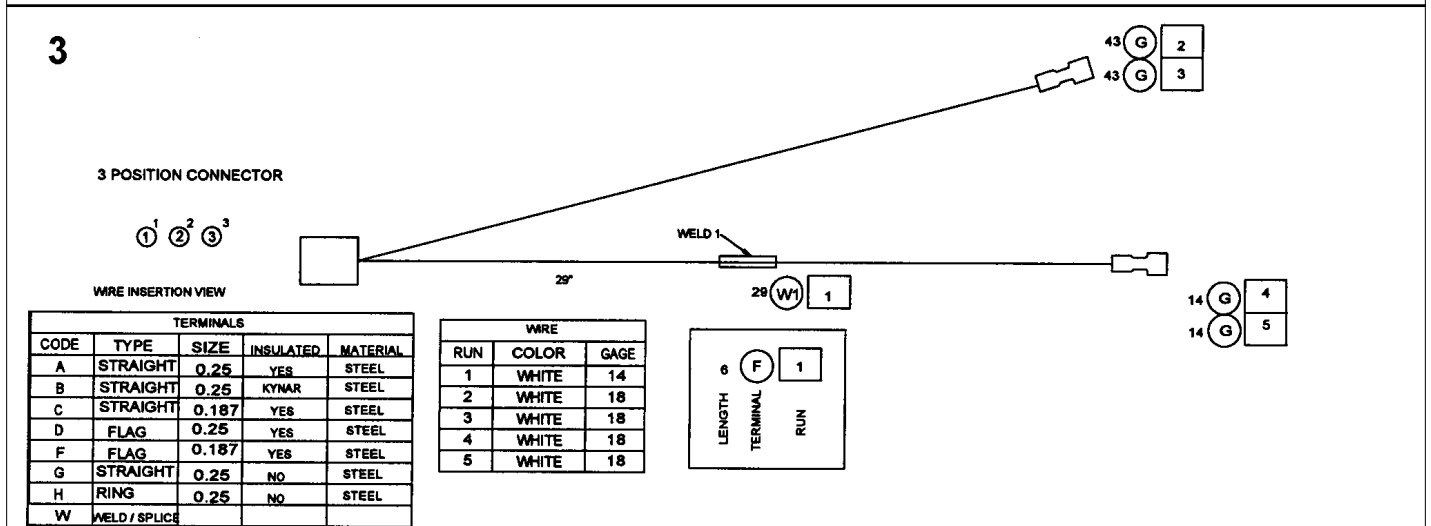
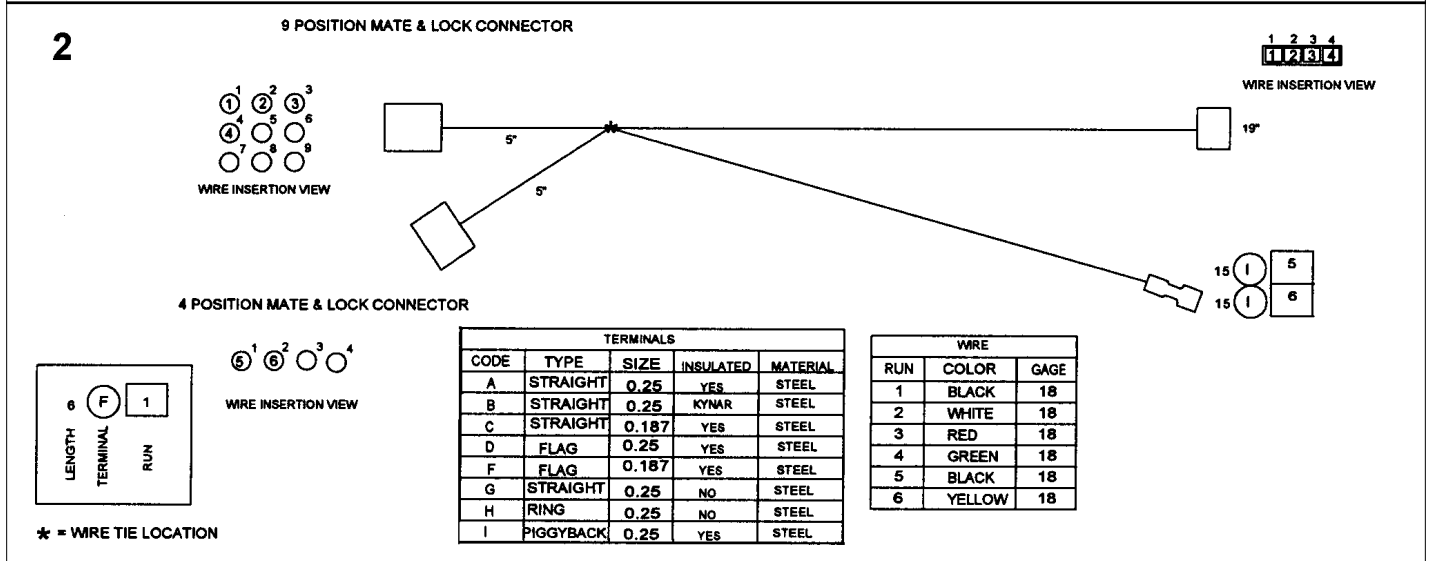
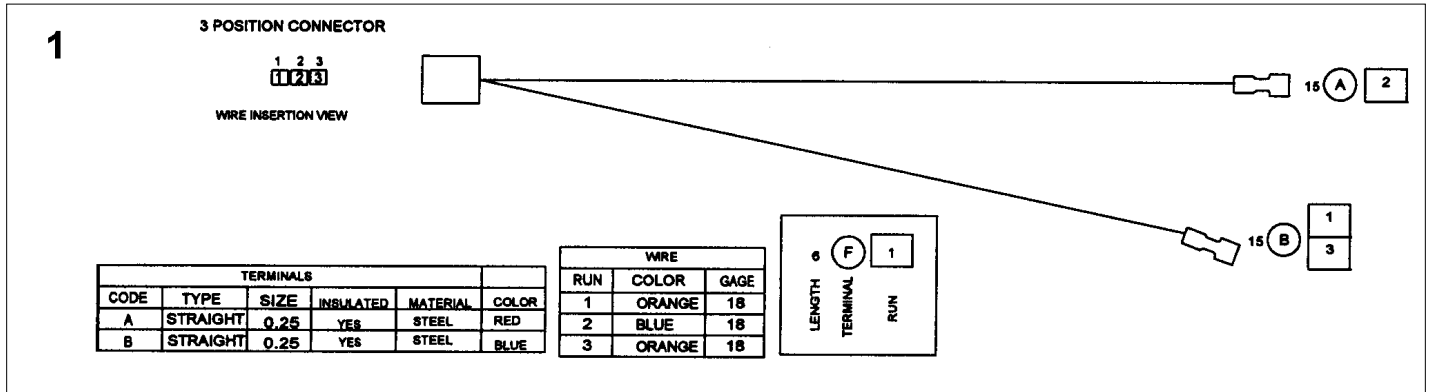
OVEN EXTERIOR





Item	Part No.	Name	Qty	Uom	NOTES
1	PE040271	27" PROF. TOP TRIM	1	EA	
2	PD020002	10 X 1/2 PH.TR.HD.SMS.	4	EA	
3	A2009622	BRKT, TOP WRAPPER, RIGHT	1	EA	Not available online / Call for pricing and availability
4	PB070302	SIDE INSULATION	2	EA	
5	PE040275	PROF. SINGLE SIDE TRIM RH	1	EA	
6	NOT REPLACEABLE	OVEN CAVITY ASSEMBLY	N/A	EA	
7	PD020170	Screw, 6 X 1 Pan Hd	8	EA	
8	PE040272	27" PROF. BOTTOM TRIM	1	EA	
9	PE040276	PROF. SINGLE SIDE TRIM LH	1	EA	
10	PD020014	10X3/4 PH TR HD SMS	4	EA	
11	A20012650	BRKT, TOP WRAPPER LEFT	1	EA	Not available online / Call for pricing and availability

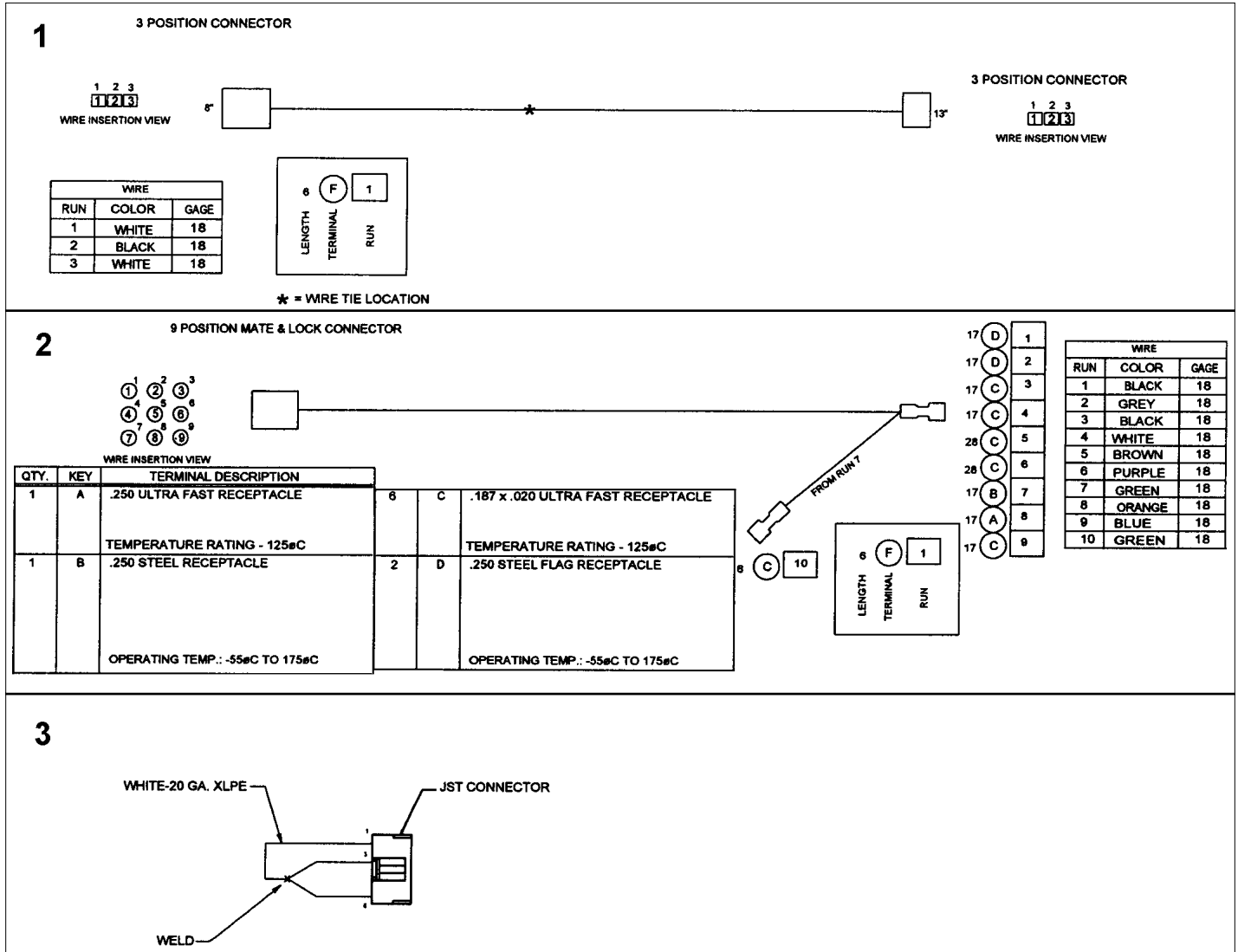
SIMPLE HARNESSES 1





Item	Part No.	Name	Qty	Uom	NOTES
1	PE070743	SINGLE CLOCK HARNESS	1	EA	
2	PE070754	TEST HARNESS SINGLE	1	EA	Not available online / Call for pricing and availability
3	PE070739	BAKE ELEMENT HARNESS	1	EA	
NI	G4005496	SUPPLY WIRE - 100" BK 10GA SO/DO	1	EA	
NI	G4005497	SUPPLY WIRE - 100" GREEN 10GA SO/DO	1	EA	
NI	G4005499	SUPPLY WIRE - 100" RED 10GA SO/DO	1	EA	
NI	G4005494	SUPPLY WIRE - 75" WH 12 GA SO/DO - NLA	1	EA	

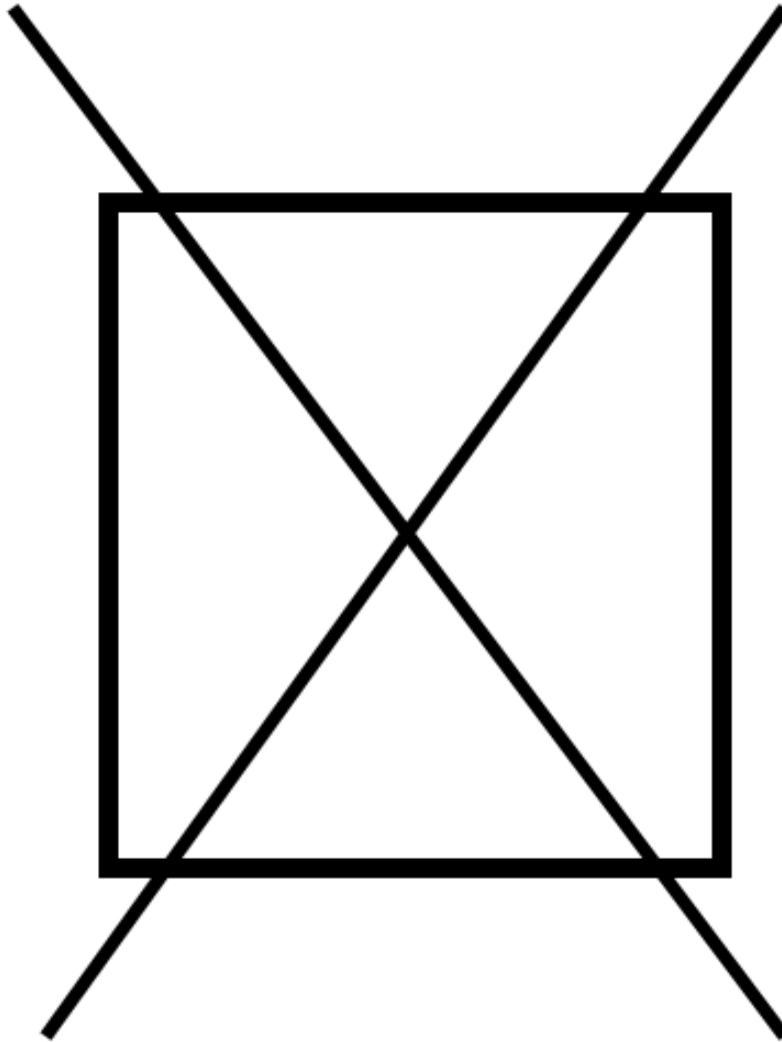
SIMPLE HARNESSES 2





Item	Part No.	Name	Qty	Uom	NOTES
1	PE070738	T/STAT-SEL HARNESS	1	EA	
2	PE070733	UPPER LATCH HARNESS	1	EA	
3	PE070734	SINGLE OVEN HEADER	1	EA	

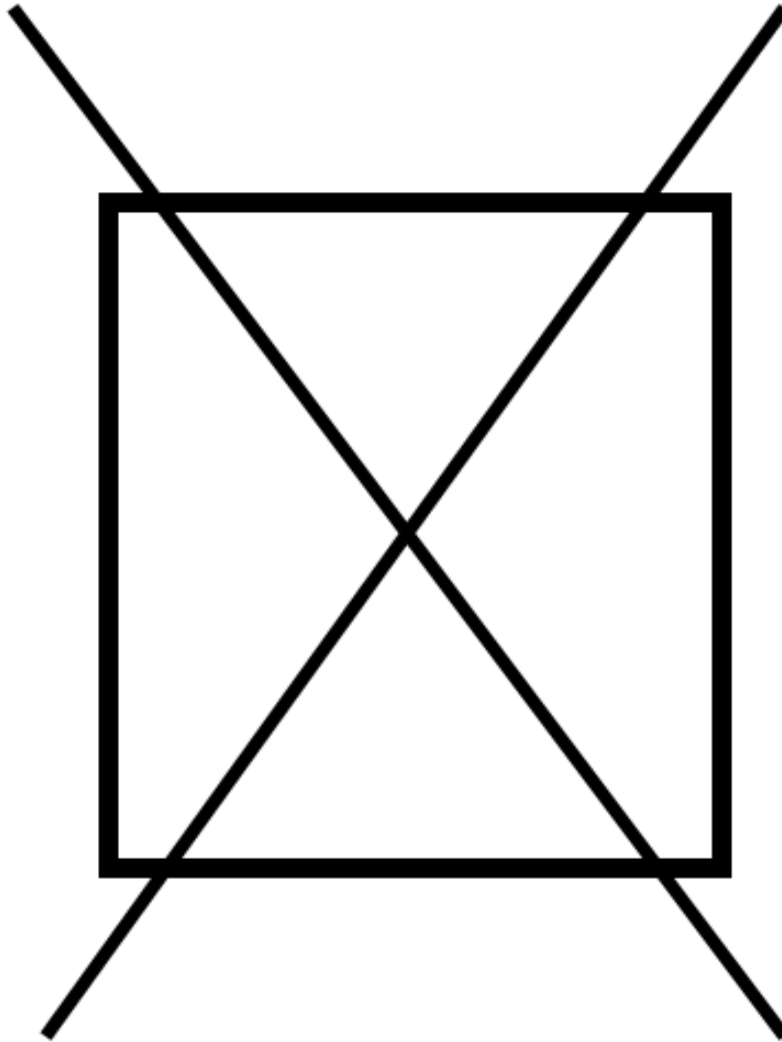
NON
ILLUSTRATED PART





Item	Part No.	Name	Qty	Uom	NOTES
1	PE070845	TOUCH CONTROL KEYBOARD HARNESS	1	EA	
2	PE070846	TOUCH CONTROL DISPLAY HARNESS	1	EA	

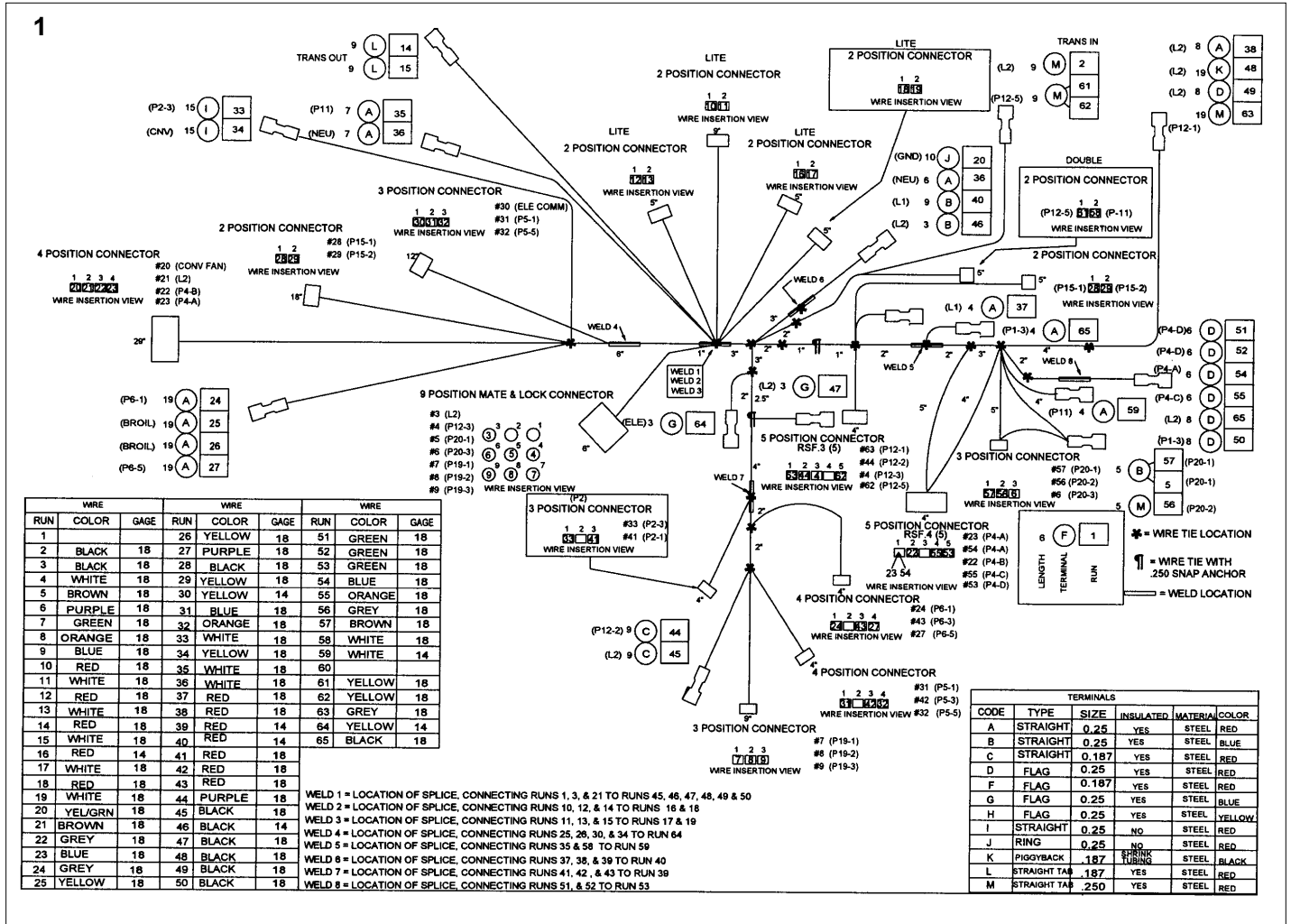
NON
ILLUSTRATED PART





Item	Part No.	Name	Qty	Uom	NOTES
1	PE070845	TOUCH CONTROL KEYBOARD HARNESS	1	EA	

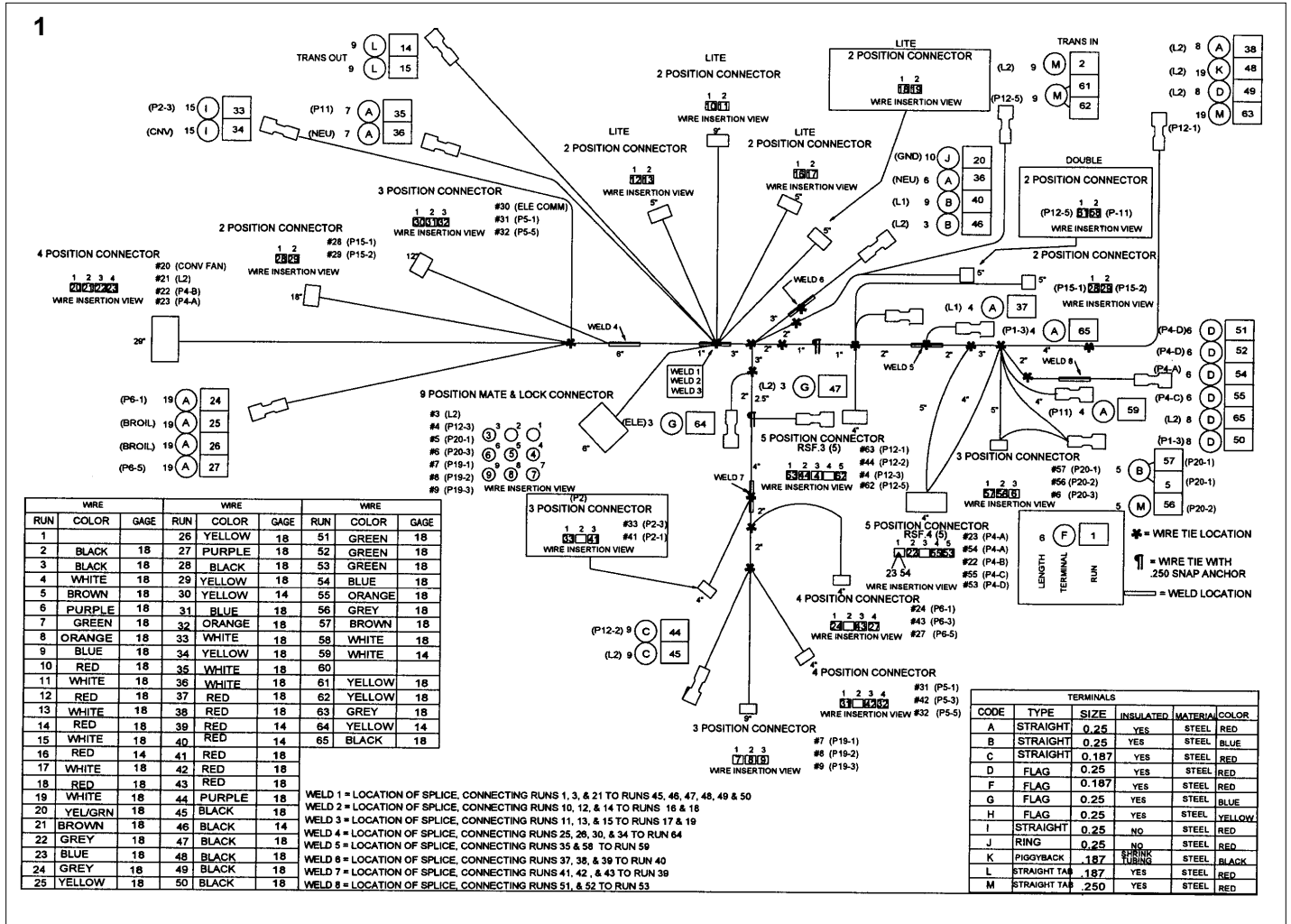
UNIT REAR





Item	Part No.	Name	Qty	Uom	NOTES
1	A20014052	WIRE SHIELD	1	EA	
2	A20010937	PANEL, REAR 27"	1	EA	NO LONGER AVAILABLE
3	A2009671	BRACKET, POWER CABLE	1	EA	
4	PD020060	10 X 1/2" (5/16)HEX WSHER HD.(T)A	22	EA	
5	PB040070	CONDUIT FITTING (90 DEG)	1	EA	
6	PB020071	CONDUIT - FLEXIBLE (48")	1	EA	
7	NOT REPLACEABLE	OVEN CAVITY ASSEMBLY	N/A	EA	
8	PB070301	27" BACK INSULATION	1	EA	NO LONGER AVAILABLE, Not available online / Call for pricing and availability
9	A10010907	COVER, BLOWER	1	EA	
10	A2009697	BRACKET, CONVECTION INSULATION	2	EA	
11	A2009666	AIR CHANNEL	1	EA	

UPPER CONTROL HARNESS





Item	Part No.	Name	Qty	Uom	NOTES
1	PE070742	UPPER CONTROL HARNESS	1	EA	



Appendix A:Pages Index

CAVITY INT 1
CONTROL AREA 2
DOOR ASSEMBLY 3
OVEN ELEC 4
OVEN EXTERIOR 5
SIMPLE HARNESSSES 1 6
SIMPLE HARNESSSES 2 7
TOUCH CONTROL DISPLAY HARNESS 8
TOUCH CONTROL KEYBOARD HARNESS 9
UNIT REAR 10
UPPER CONTROL HARNESS 11



Appendix B:Parts Index

A2009671	10
A2009696	1
A2009697	10
C90014073BK	2
C90014073WH	2
E91012614	1
E9107933	1
E9107934	1
E9109655	1
G32012719BK	3
G32012719BKBR	3
G32012719SS	3
G32012719SSBR	3
G32012719WH	3
G32012719WHBR	3
G32014020	1
G4005494	6
G4005496	6
G4005497	6
G4005499	6
G91010942	3
G91013597	1
PB020071	10
PB040070	10
PB060103	1
PB060104	1
PB070079	4
PB070245	3
PB070271	3
PB070273	3
PB070276	3
PB070301	10
PB070302	5
PB070309	1
PB070312	1
PB070336	3
PD020002	3, 4, 5
PD020004	2, 3, 4
PD020010	4
PD020013	2
PD020014	4, 5
000238-000	2
000268-000	3
000594-000	3
001501-000	3
002007-000	2
002457-000BK	2
002457-000SS	2
002457-000WH	2
002458-000	2
002460-000	2
002534-000	2
006071-000	3
017736-000	3
018607-000	4
020403-000	1
036047-000	2
041045-000	1
A10010907	10
A10010911	4
A10014028	2
A20010910	4
A20010932	1
A20010933	4
A20010934	4
A20010935	4
A20010937	10
A20010949	3
A20012640	3
A20012641	3
A20012649	4
A20012650	5
A20014021	1
A20014044	1
A20014046	4
A20014047	4
A20014052	10
A2009622	5
A2009641	1
A2009666	10
A2009667	4



PD020032	3	PE070846	8
PD020055	1	PJ010047	1
PD020060	1, 2, 4, 10	PJ010048	1
PD020061	4	PJ010049	1
PD020063	1, 3	PJ030043	2
PD020170	5	PS500014BK	3
PD020185	4	PS500014BKBR	3
PD020186	3	PS500014SS	3
PD020232	1	PS500014SSBR	3
PD030006	3	PS500014WH	3
PD030172	2	PS500014WHBR	3
PD040004	2		
PD040152	4		
PD040164	2		
PE010016	3		
PE010017	3		
PE010079	3		
PE010080	3		
PE030001PVD	3		
PE030178	3		
PE030178PVD	3		
PE040271	5		
PE040272	5		
PE040275	5		
PE040276	5		
PE040279	4		
PE050206	1		
PE050208	4		
PE050233	4, 4		
PE050234	4		
PE050250	4		
PE060093	3		
PE070147	4		
PE070733	7		
PE070734	7		
PE070738	7		
PE070739	6		
PE070742	11		
PE070743	6		
PE070754	6		
PE070845	8, 9		