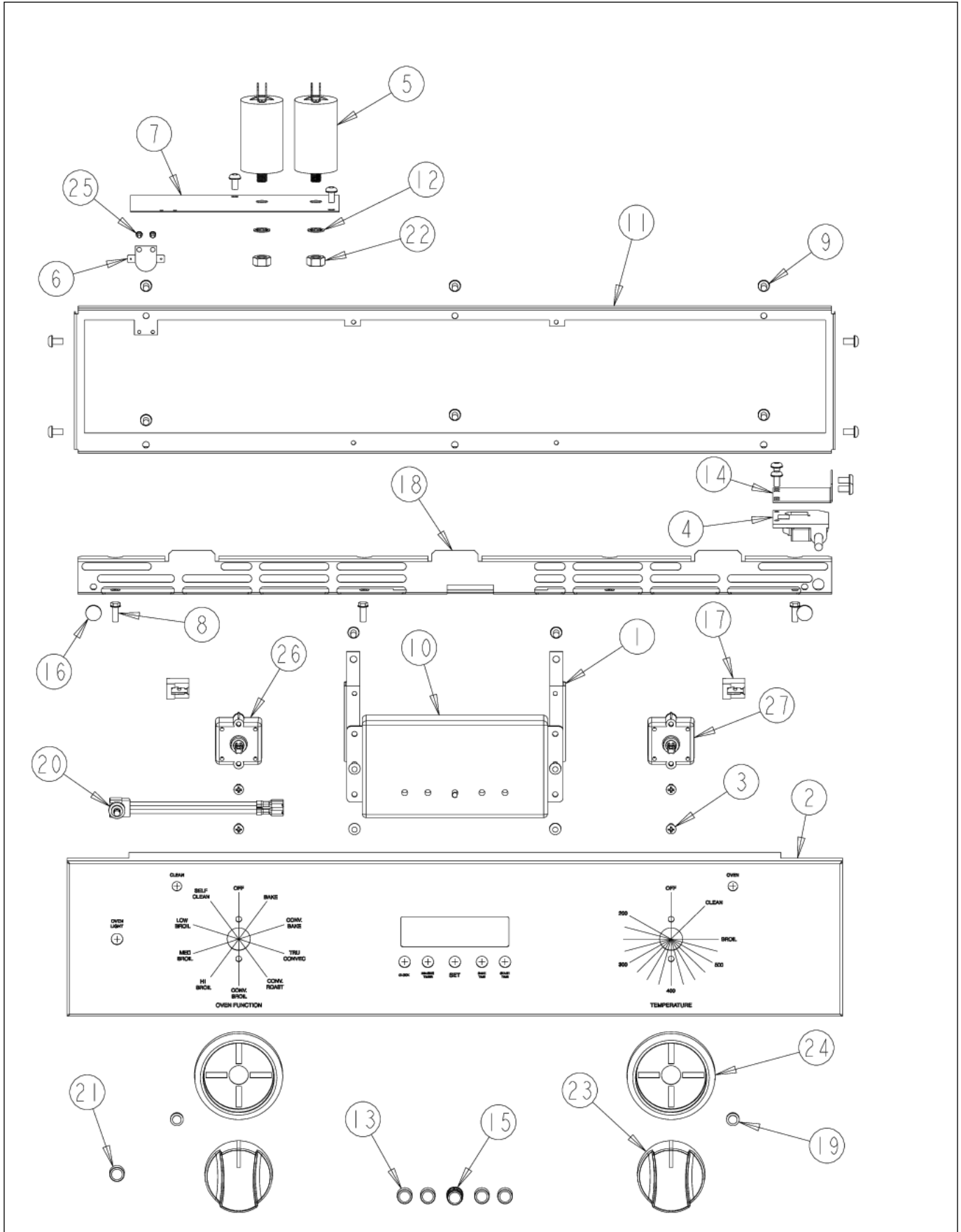


VESO127

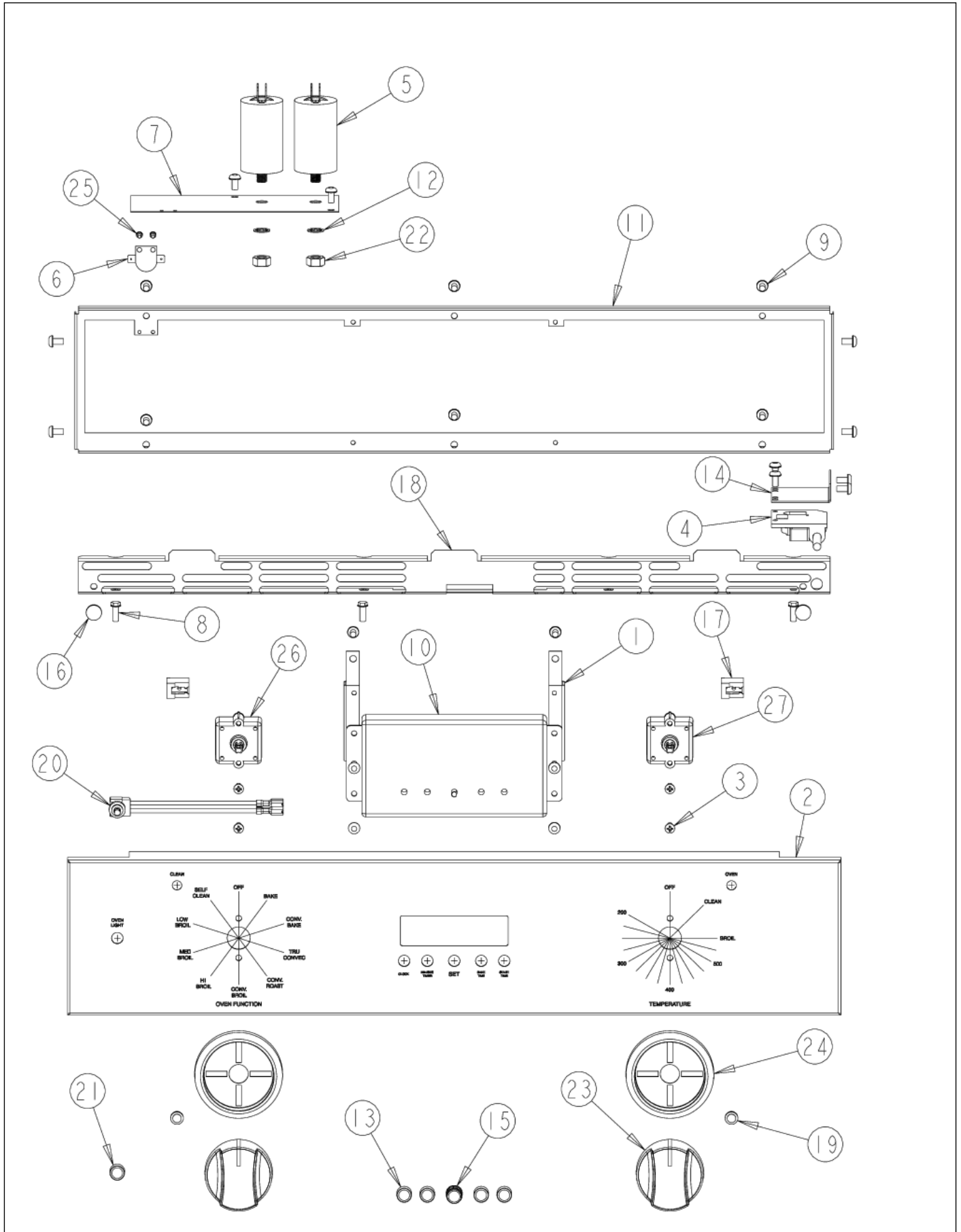
| | |
|---------------------------------------|----|
| CONTROL AREA | 1 |
| DOOR ASSEMBLY | 2 |
| LOWER OVEN CAVITY | 3 |
| OVEN CAVITY INTERIOR | 4 |
| OVEN EXTERIOR | 5 |
| REAR UNIT AREA | 6 |
| SIMPLE HARNESSSES 1 | 7 |
| SIMPLE HARNESSSES 2 | 8 |
| UPPER CONTROL HARNESS | 9 |
| UPPER OVEN CAVITY | 10 |
| UPPER UNIT AREA AFTER 07-20-06 | 11 |
| UPPER UNIT AREA BEFORE 07-20-06 | 12 |
| Appendix A:Pages Index | A |
| Appendix B:Parts Index | B |

CONTROL AREA





| Item | Part No. | Name | Qty | Uom | NOTES |
|--|-------------|--|-----|-----|---|
| 1 | A20014063 | CLOCK BRACKET | 1 | EA | |
| 2 | B92014064 | 27" SINGLE PROF. CONTROL PNL | 1 | EA | |
| Not Shown | C92014064BK | 27" SINGLE PROF. CONTROL PNL *BK* | 1 | EA | NO LONGER AVAILABLE, Not available online / Call for pricing and availability |
| Not Shown | C92014064WH | 27" SINGLE PROF. CONTROL PNL *WH* | 1 | EA | NO LONGER AVAILABLE, Not available online / Call for pricing and availability |
| 3 | PD020261 | ' #8-32X1/2" PH PANHEAD MACH. SCREW | 1 | EA | |
| 4 | PE050208 | DOOR SWITCH | 1 | EA | |
| 5 | 036047-000 | CAPACITOR, CONV MOTOR, INTL | 1 | EA | |
| 6 | G50015481 | PRO HI-LIMIT SERVICE KIT | 1 | EA | |
| Not Shown | NOTE | (BEFORE 07-17-06) | | EA | |
| Not Shown | PJ030043 | Bi Metal Thermostat - 150 Degrees | 1 | EA | |
| Not Shown | NOTE | (AFTER 07-17-06) | | EA | |
| 7 | A10014028 | 2 CAPACITOR BRACKET | 1 | EA | |
| <p>Comments for Part Num. A10014028</p> <p>service@priorityappliance.com on Jan 17, 2019</p> <p>The capacitors are part # 036047-000, found by looking up a VEDO130. Confirmed - they're the same capacitor.</p> | | | | | |
| 8 | PD020060 | 10 X 1/2" (5/16)HEX WSHR HD.(T)A | 1 | EA | |
| 9 | PD020004 | 10X3/8PH.HD.TYPE 25 REPL PD040125 | 1 | EA | |
| 10 | PE050214 | CLOCK (DIGITAL 230V 50/60HZ) | 1 | EA | |
| 11 | A20014061 | 27" CONTROL MTG PANEL | 1 | EA | NO LONGER AVAILABLE |
| 12 | PD040164 | 5/16 INTERNAL TOOTH LOCK WASHER TYPE A | 1 | EA | |
| 13 | PB010306 | PROF. CLOCK BUTTON | 1 | EA | |
| Not Shown | PB010310 | PROF. CLOCK BUTTON *WH* | 1 | EA | |





| Item | Part No. | Name | Qty | Uom | NOTES |
|-----------|-------------|-------------------------------------|-----|-----|---------------------|
| 14 | A20012649 | DOOR SWITCH BRACKET | 1 | EA | |
| 15 | PB010307 | PROF. CLOCK KNOB | 1 | EA | |
| Not Shown | PB010311 | PROF. CLOCK KNOB *WH* | 1 | EA | |
| 16 | PD040004 | GROMMET BUMPER | 1 | EA | |
| 17 | PE050072 | LENS OPENING | 1 | EA | |
| 18 | C90014073BK | Inlet Grille - BK | 1 | EA | |
| 19 | PE050023 | OVEN IND. LIGHT (LENS & BEZEL) | 1 | EA | |
| 20 | G40015469 | LIGHT SWITCH ASSEMBLY | 1 | EA | |
| 21 | PB010308 | PROF. OVEN LIGHT BUTTON | 1 | EA | NO LONGER AVAILABLE |
| Not Shown | PB010312 | PROF. OVEN LIGHT BUTTON *WH* | 1 | EA | NO LONGER AVAILABLE |
| 22 | PD030172 | M8 X 1.25MM NUT | 1 | EA | |
| 23 | PB010305 | PROF. SELECTOR/THERMOSTAT KNOB | 1 | EA | |
| Not Shown | PB010309 | PROF. SELECTOR/THERMOSTAT KNOB *WH* | 1 | EA | |
| 24 | 050172-000 | BEZEL, KNOB | 1 | EA | |
| Not Shown | PB010304PVD | RESTYLE KNOB BEZEL, BR | 1 | EA | |
| 25 | PD020013 | TYPE "AB" #6 X 3/8 PH PAN HD. SMS | 1 | EA | |
| 26 | PJ030033 | SELECTOR (10 POS) | 1 | EA | |
| 27 | PJ030035 | THERMOSTAT | 1 | EA | |

Comments for Part Num. PJ030035

parts@lvdistributes.com on Feb 7, 2018

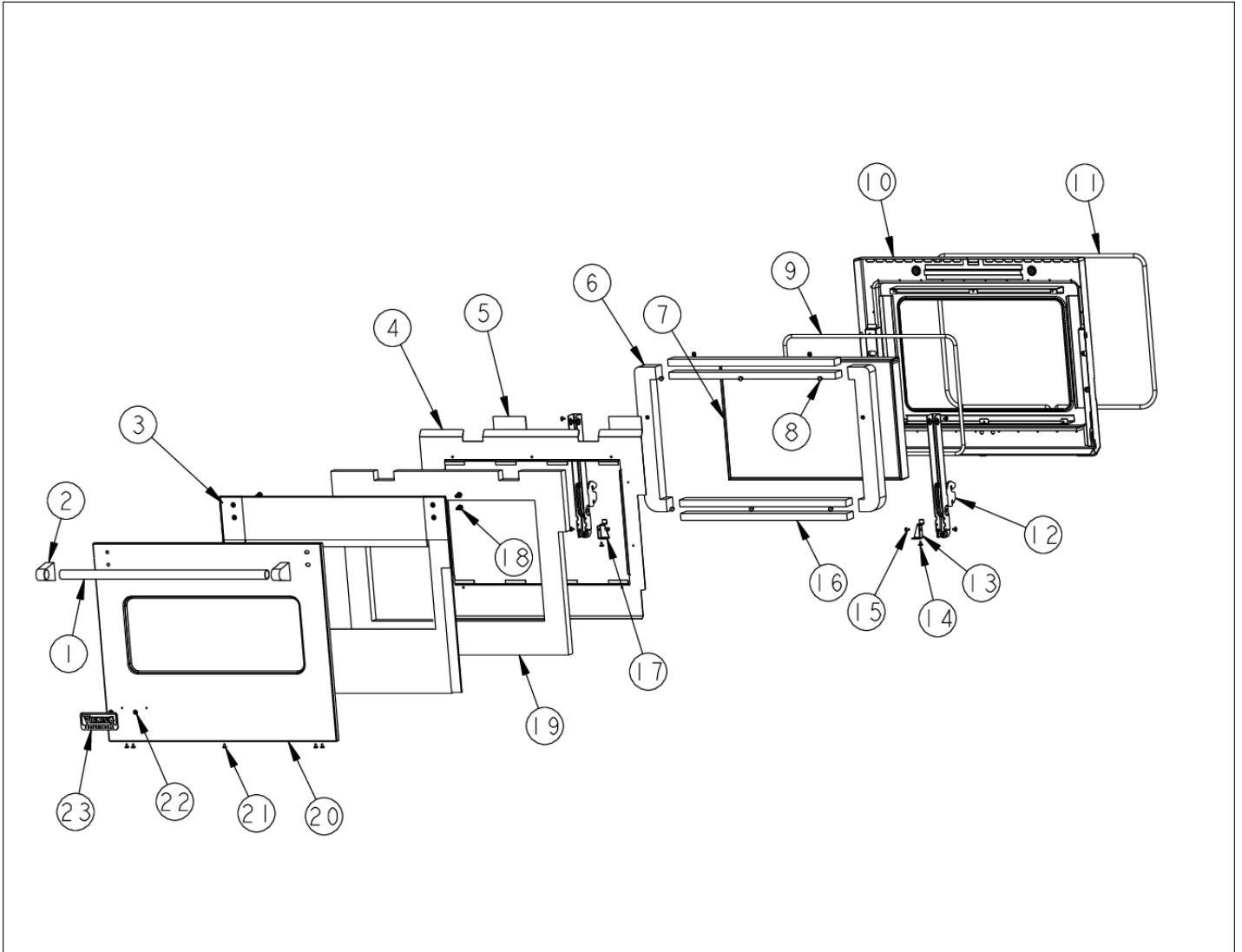
this is not the correct part for this range it should be a 003225-000

Reply by JREXEC02@AOL.COM on Feb 27, 2018

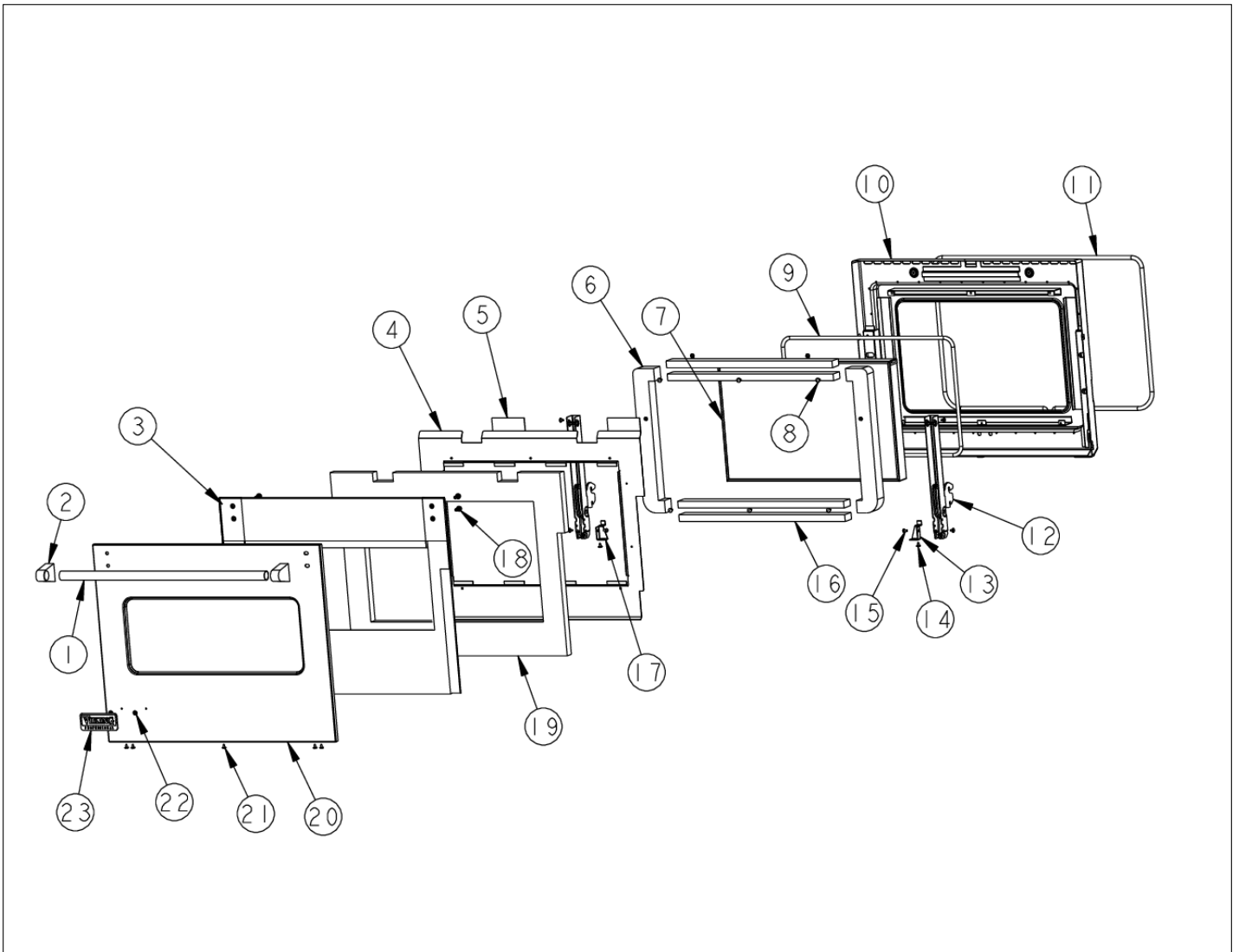
003225-000 is an Induction Control.

PJ030035 is the red colored thermostat for the Gas Range

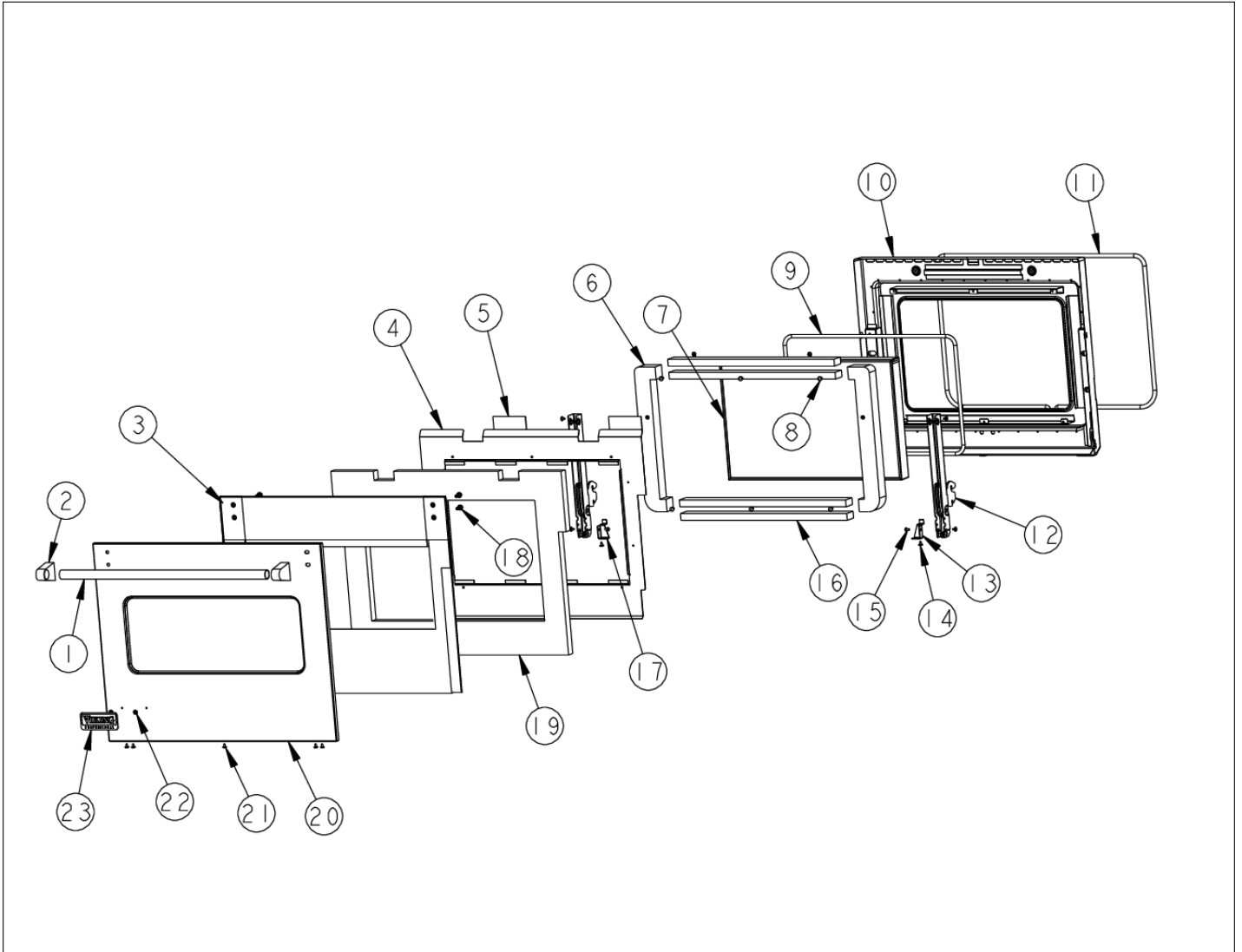
DOOR ASSEMBLY



| Item | Part No. | Name | Qty | Uom | NOTES |
|---|-------------|---|-----|-----|---|
| 1 | PE030178 | 27" PROF. DOOR HANDLE | 1 | EA | |
| Not Shown | PE030178PVD | 27" PROF. DOOR HANDLE *PVD* | 1 | EA | Not available online / Call for pricing and availability |
| 2 | 000268-000 | HANDLE ENDCAP | 1 | EA | |
| Not Shown | PE030001PVD | END CAP DOOR HANDLE *BR | 1 | EA | |
| 3 | 001501-000 | Pro 27" Insulation Retainer Kit (After 7-17-06) | 1 | EA | NO LONGER AVAILABLE |
| Not Shown | 001503-000 | PRO 27" INSULATION RETAINER (BEFORE 7/17/06) | 1 | EA | NO LONGER AVAILABLE, Not available online / Call for pricing and availability |
| 4 | A20010949 | PANEL, INSULATION, INNNER DOOR | 1 | EA | |
| 5 | PB070336 | Door Bracket Insulation | 1 | EA | |
| 6 | PB070271 | DOOR PLUG INSULATION | 1 | EA | |
| 7 | PE060093 | 27" WINDOW PACK | 1 | EA | |
| 8 | PD020002 | 10 X 1/2 PH.TR.HD.SMS. | 1 | EA | |
| 9 | 000594-000 | BLACK FIBERGLASS ROPE 3/8 | 1 | EA | |
| 10 | G91010942 | DOOR LINER PORC. | 1 | EA | |
| Comments for Part Num. G91010942 gboltz@VikingRange.com on Jun 7, 2016 Correct part number is G91019042BK | | | | | |
| 11 | PB070245 | 27" DOOR GASKET | 1 | EA | |
| 12 | 006071-000 | DOOR HINGE | 1 | EA | |
| 13 | A20012640 | HINGE SUPPORT RH | 1 | EA | |
| 14 | PD020063 | SCREW-#8(A) X 3/8"PH WFR HD/BK OXID | 1 | EA | |
| 15 | PD020004 | 10X3/8PH.HD.TYPE 25 REPL PD040125 | 1 | EA | |
| 16 | PB070273 | Window Pack Insulation | 1 | EA | |
| 17 | A20012641 | HINGE SUPPORT LH | 1 | EA | |
| 18 | PD020186 | 1/4"-20 X 3/4" HEX WASHER HEAD MS | 1 | EA | Not available online / Call for pricing and availability |

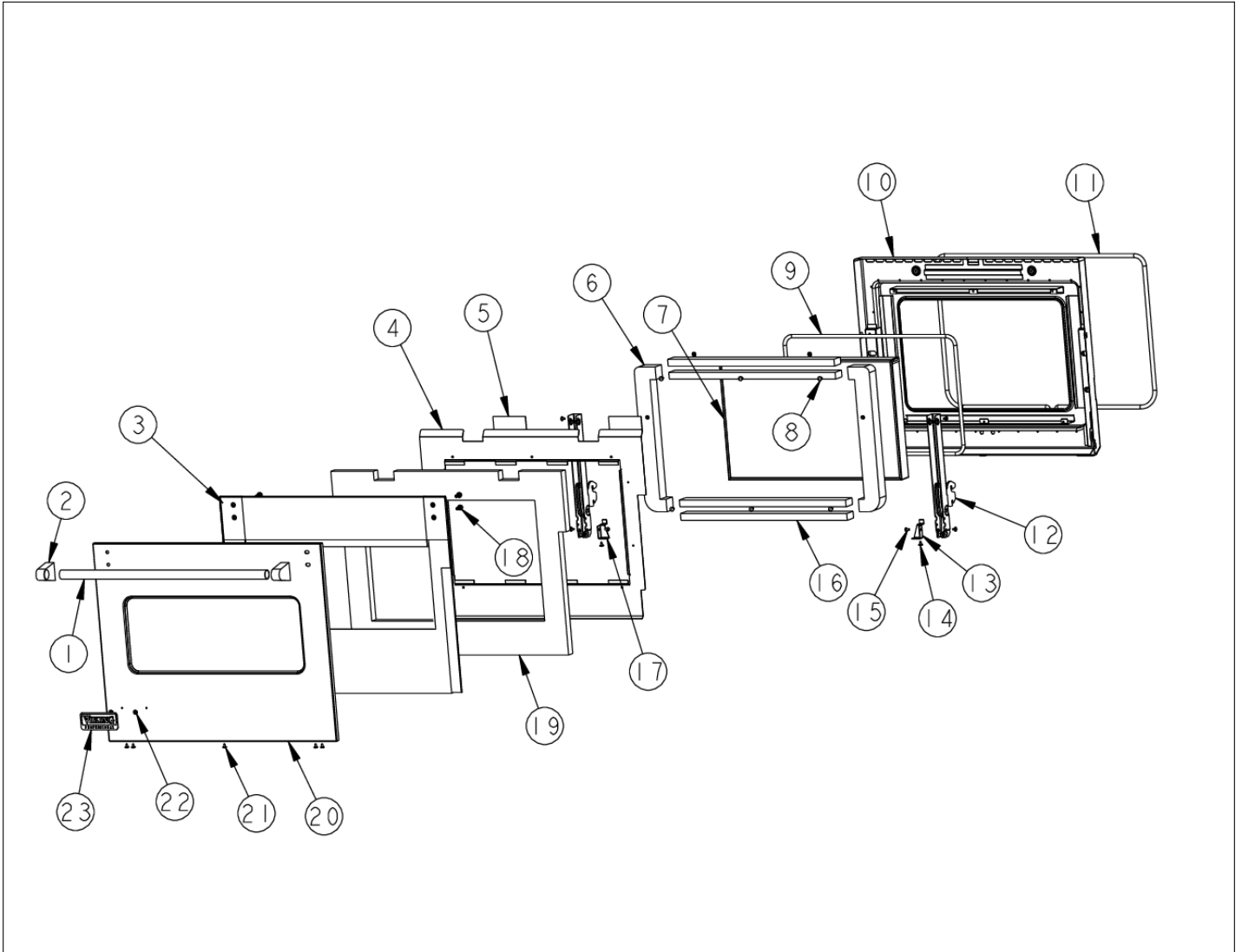


| Item | Part No. | Name | Qty | Uom | NOTES |
|-----------|--------------|---|-----|-----|---|
| 19 | PB020276 | TUBE DRAIN 3/8 X 46 AR 36 30 | 1 | EA | NO LONGER AVAILABLE, Not available online / Call for pricing and availability |
| 20 | PS500014AL | 27" PRO DOOR SKIN SERVICE KIT W/LOGO AFTER 07/17/06 - AL AL | 1 | EA | NO LONGER AVAILABLE, Not available online / Call for pricing and availability |
| Not Shown | PS500014ALBR | 27" PRO DOOR SKIN SERVICE KIT W/LOGO AFTER 07/17/06 - AL/BR | 1 | EA | NO LONGER AVAILABLE |
| Not Shown | PS500014BK | 27" PRO DOOR SKIN SERVICE KIT W/LOGO AFTER 07/17/06 - BK | 1 | EA | Not available online / Call for pricing and availability |
| Not Shown | PS500014BKBR | 27" PRO DOOR SKIN SERVICE KIT W/LOGO AFTER 07/17/06 - BK/BR | 1 | EA | NO LONGER AVAILABLE, Not available online / Call for pricing and availability |
| Not Shown | PS500014BT | 27" PRO DOOR SKIN SERVICE KIT W/LOGO AFTER 07/17/06 - BT | 1 | EA | |
| Not Shown | PS500014BTBR | 27" PRO DOOR SKIN SERVICE KIT W/LOGO AFTER 07/17/06 - BT/BR | 1 | EA | NO LONGER AVAILABLE, Not available online / Call for pricing and availability |
| Not Shown | PS500014BU | 27" PRO DOOR SKIN SERVICE KIT W/LOGO AFTER 07/17/06 - BU | 1 | EA | |
| Not Shown | PS500014BUBR | 27" PRO DOOR SKIN SERVICE KIT W/LOGO AFTER 07/17/06 - BU/BR | 1 | EA | NO LONGER AVAILABLE, Not available online / Call for pricing and availability |
| Not Shown | PS500014CB | 27" PRO DOOR SKIN SERVICE KIT W/LOGO AFTER 07/17/06 - CB | 1 | EA | NO LONGER AVAILABLE, Not available online / Call for pricing and availability |
| Not Shown | PS500014CBBR | 27" PRO DOOR SKIN SERVICE KIT W/LOGO AFTER 07/17/06 - CB/BR | 1 | EA | NO LONGER AVAILABLE, Not available online / Call for pricing and availability |
| Not Shown | PS500014EP | 27" PRO DOOR SKIN SERVICE KIT W/LOGO AFTER 07/17/06 - EP | 1 | EA | NO LONGER AVAILABLE, Not available online / Call for pricing and availability |



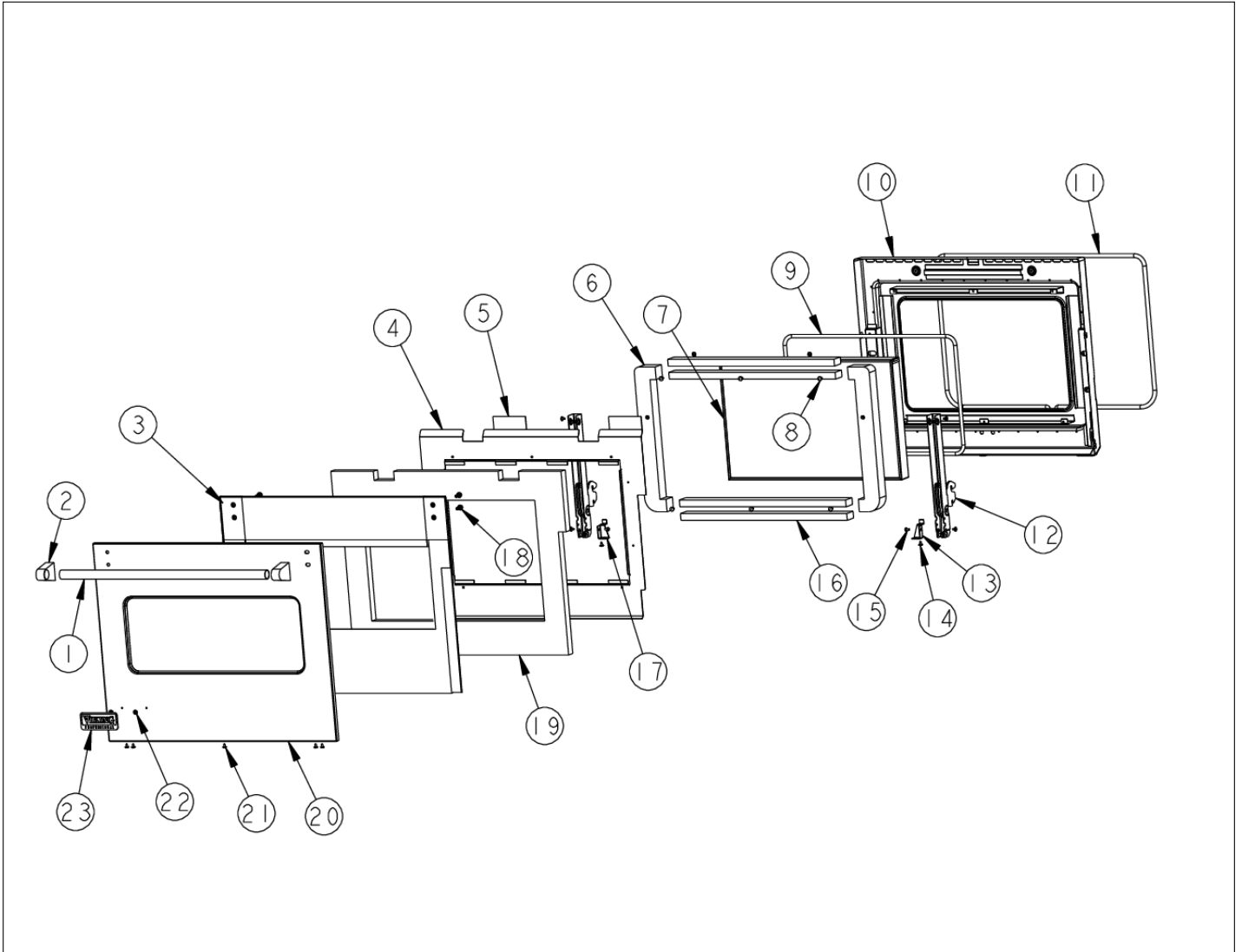


| Item | Part No. | Name | Qty | Uom | NOTES |
|-----------|--------------|---|-----|-----|---|
| Not Shown | PS500014EPBR | 27" PRO DOOR SKIN SERVICE KIT W/LOGO AFTER 07/17/06-EP/BR | 1 | EA | NO LONGER AVAILABLE, Not available online / Call for pricing and availability |
| Not Shown | PS500014FG | 27" PRO DOOR SKIN SERVICE KIT W/LOGO AFTER 07/17/06 - FG | 1 | EA | NO LONGER AVAILABLE, Not available online / Call for pricing and availability |
| Not Shown | PS500014FGBR | 27" PRO DOOR SKIN SERVICE KIT W/LOGO AFTER 07/17/06-FG/BR | 1 | EA | NO LONGER AVAILABLE, Not available online / Call for pricing and availability |
| Not Shown | PS500014GG | 27" PRO DOOR SKIN SERVICE KIT W/LOGO AFTER 07/17/06 - GG | 1 | EA | NO LONGER AVAILABLE, Not available online / Call for pricing and availability |
| Not Shown | PS500014GGBR | 27" PRO DOOR SKIN SERVICE KIT W/LOGO AFTER 07/17/06-GG/BR | 1 | EA | NO LONGER AVAILABLE, Not available online / Call for pricing and availability |
| Not Shown | PS500014LE | 27" PRO DOOR SKIN SERVICE KIT W/LOGO AFTER 07/17/06 - LE | 1 | EA | |
| Not Shown | PS500014LEBR | 27" PRO DOOR SKIN SERVICE KIT W/LOGO AFTER 07/17/06-LE/BR | 1 | EA | NO LONGER AVAILABLE, Not available online / Call for pricing and availability |
| Not Shown | PS500014MJ | 27" PRO DOOR SKIN SERVICE KIT W/LOGO AFTER 07/17/06 - MJ | 1 | EA | NO LONGER AVAILABLE, Not available online / Call for pricing and availability |
| Not Shown | PS500014MJBR | 27" PRO DOOR SKIN SERVICE KIT W/LOGO AFTER 07/17/06-MJ/BR | 1 | EA | NO LONGER AVAILABLE, Not available online / Call for pricing and availability |
| Not Shown | PS500014SG | 27" PRO DOOR SKIN SERVICE KIT W/LOGO AFTER 07/17/06 - SG | 1 | EA | NO LONGER AVAILABLE, Not available online / Call for pricing and availability |
| Not Shown | PS500014SGBR | 27" PRO DOOR SKIN SERVICE KIT W/LOGO AFTER 07/17/06-SG/BR | 1 | EA | NO LONGER AVAILABLE, Not available online / Call for pricing and availability |

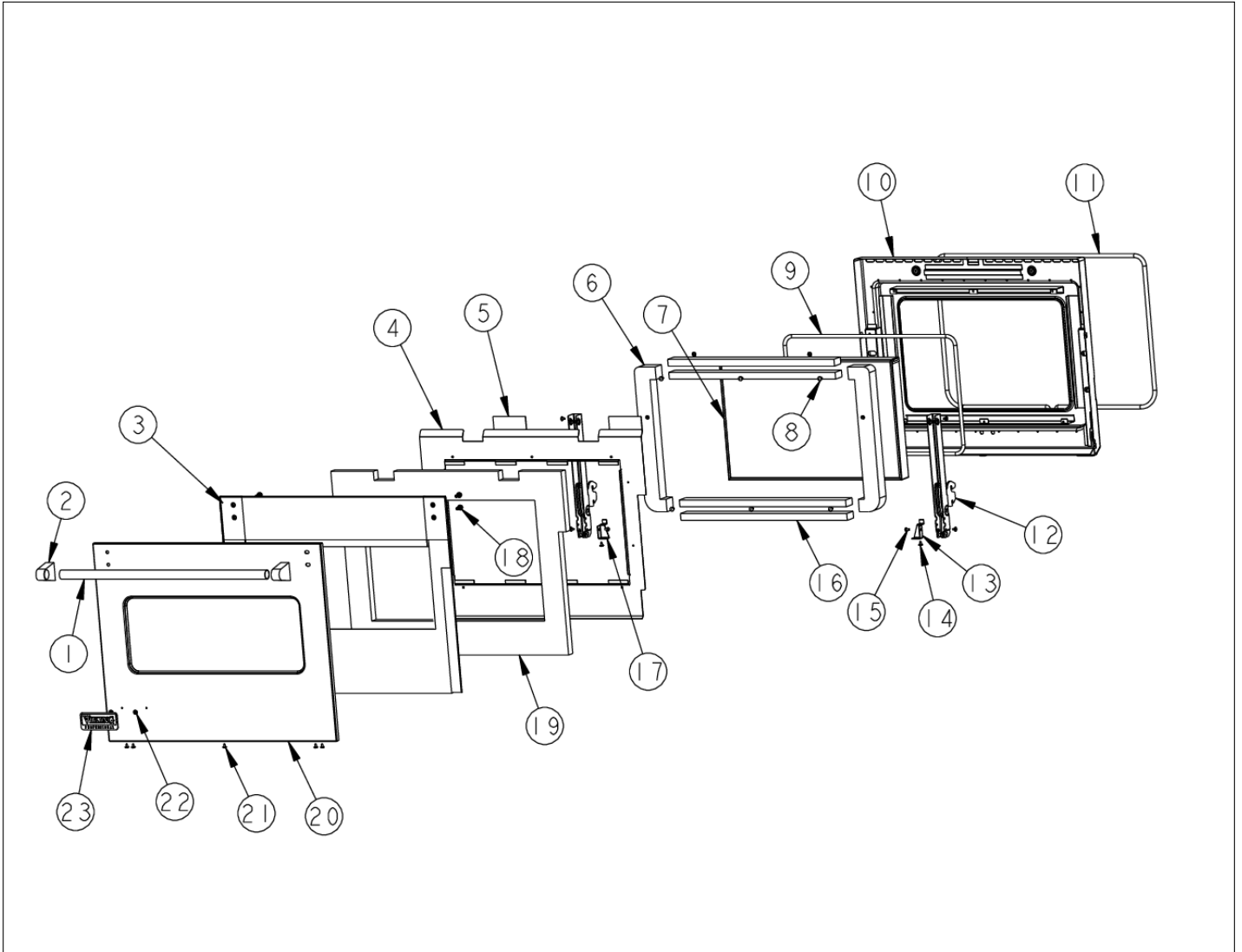




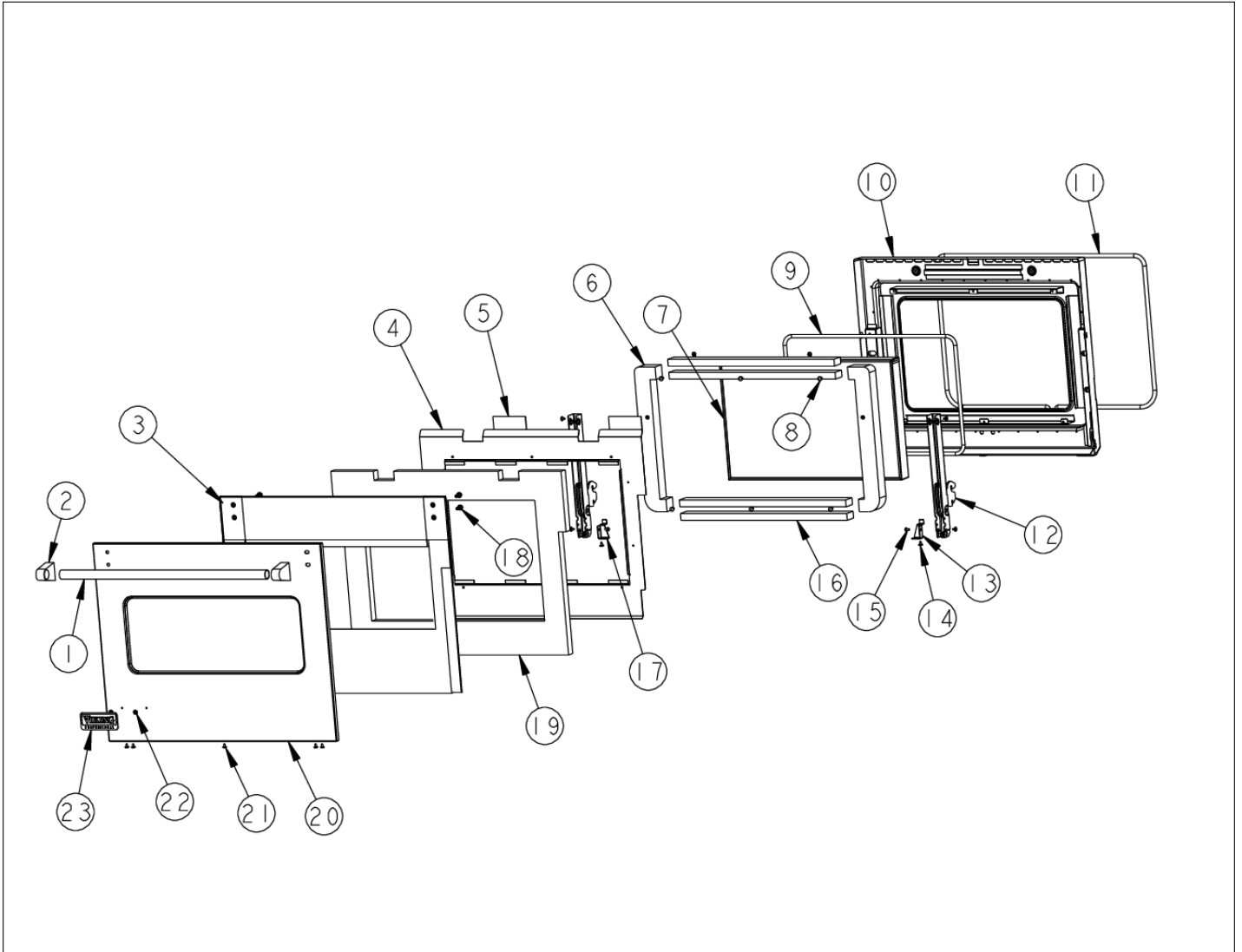
| Item | Part No. | Name | Qty | Uom | NOTES |
|-----------|--------------|--|-----|-----|---|
| Not Shown | PS500014SS | 27" PRO DOOR SKIN SERVICE KIT W/LOGO AFTER 07/17/06 - SS | 1 | EA | |
| Not Shown | PS500014SSBR | 27" PRO DOOR SKIN SERVICE KIT W/LOGO AFTER 07/17/06-SS/BR | 1 | EA | NO LONGER AVAILABLE, Not available online / Call for pricing and availability |
| Not Shown | PS500014VB | 27" PRO DOOR SKIN SERVICE KIT W/LOGO AFTER 07/17/06 - VB | 1 | EA | NO LONGER AVAILABLE, Not available online / Call for pricing and availability |
| Not Shown | PS500014VBBR | 27" PRO DOOR SKIN SERVICE KIT W/LOGO AFTER 07/17/06 - VB/BR | 1 | EA | NO LONGER AVAILABLE, Not available online / Call for pricing and availability |
| Not Shown | PS500014WH | 27" PRO DOOR SKIN SERVICE KIT W/LOGO AFTER 07/17/06 - WH | 1 | EA | |
| Not Shown | PS500014WHBR | 27" PRO DOOR SKIN SERVICE KIT W/LOGO AFTER 07/17/06 - WH/BR | 1 | EA | NO LONGER AVAILABLE |
| Not Shown | PS500018AL | 27" PRO DOOR SKIN SERVICE KIT W/LOGO BEFORE 07/17/06 - AL | 1 | EA | NO LONGER AVAILABLE, Not available online / Call for pricing and availability |
| Not Shown | PS500018ALBR | 27" PRO DOOR SKIN SRV KIT W/LOGO BEFORE 07/17/06 - AL/BR | 1 | EA | NO LONGER AVAILABLE, Not available online / Call for pricing and availability |
| Not Shown | PS500018BK | 27" PRO DOOR SKIN SRV KIT W/LOGO BEFORE 07/17/06 - BK | 1 | EA | NO LONGER AVAILABLE |
| Not Shown | PS500018BKBR | 27" PRO DOOR SKIN SRV KIT W/LOGO BEFORE 07/17/06 - BK/BR | 1 | EA | NO LONGER AVAILABLE, Not available online / Call for pricing and availability |
| Not Shown | PS500018BT | 27" PRO DOOR SKIN SERVICE KIT W/LOGO BEFORE 07/17/06 - BT | 1 | EA | NO LONGER AVAILABLE, Not available online / Call for pricing and availability |
| Not Shown | PS500018BTBR | 27" PRO DOOR SKIN SERVICE KIT W/LOGO BEFORE 07/17/06 - BT/BR | 1 | EA | NO LONGER AVAILABLE, Not available online / Call for pricing and availability |



| Item | Part No. | Name | Qty | Uom | NOTES |
|-----------|--------------|--|-----|-----|---|
| Not Shown | PS500018BU | 27" PRO DOOR SKIN SERVICE KIT W/LOGO BEFORE 07/17/06 - BU | 1 | EA | NO LONGER AVAILABLE, Not available online / Call for pricing and availability |
| Not Shown | PS500018BUBR | 27" PRO DOOR SKIN SERVICE KIT W/LOGO BEFORE 07/17/06 - BU/BR | 1 | EA | NO LONGER AVAILABLE, Not available online / Call for pricing and availability |
| Not Shown | PS500018CB | 27" PRO DOOR SKIN SERVICE KIT W/LOGO BEFORE 07/17/06 - CB | 1 | EA | NO LONGER AVAILABLE, Not available online / Call for pricing and availability |
| Not Shown | PS500018CBBR | 27" PRO DOOR SKIN SERVICE KIT W/LOGO BEFORE 07/17/06 - CB/BR | 1 | EA | NO LONGER AVAILABLE, Not available online / Call for pricing and availability |
| Not Shown | PS500018EP | 27" PRO DOOR SKIN SERVICE KIT W/LOGO BEFORE 07/17/06 - EP | 1 | EA | NO LONGER AVAILABLE, Not available online / Call for pricing and availability |
| Not Shown | PS500018EPBR | 27" PRO DOOR SKIN SERVICE KIT W/LOGO BEFORE 07/17/06 - EP/BR | 1 | EA | NO LONGER AVAILABLE, Not available online / Call for pricing and availability |
| Not Shown | PS500018FG | 27" PRO DOOR SKIN SERVICE KIT W/LOGO BEFORE 07/17/06 - FG | 1 | EA | NO LONGER AVAILABLE, Not available online / Call for pricing and availability |
| Not Shown | PS500018FGBR | 27" PRO DOOR SKIN SERVICE KIT W/LOGO BEFORE 07/17/06 - FG/BR | 1 | EA | NO LONGER AVAILABLE, Not available online / Call for pricing and availability |
| Not Shown | PS500018GG | 27" PRO DOOR SKIN SERVICE KIT W/LOGO BEFORE 07/17/06 - GG | 1 | EA | NO LONGER AVAILABLE, Not available online / Call for pricing and availability |
| Not Shown | PS500018GGBR | 27" PRO DOOR SKIN SERVICE KIT W/LOGO BEFORE 07/17/06 - GG/BR | 1 | EA | NO LONGER AVAILABLE, Not available online / Call for pricing and availability |
| Not Shown | PS500018LE | 27" PRO DOOR SKIN SERVICE KIT W/LOGO BEFORE 07/17/06 - LE | 1 | EA | NO LONGER AVAILABLE, Not available online / Call for pricing and availability |

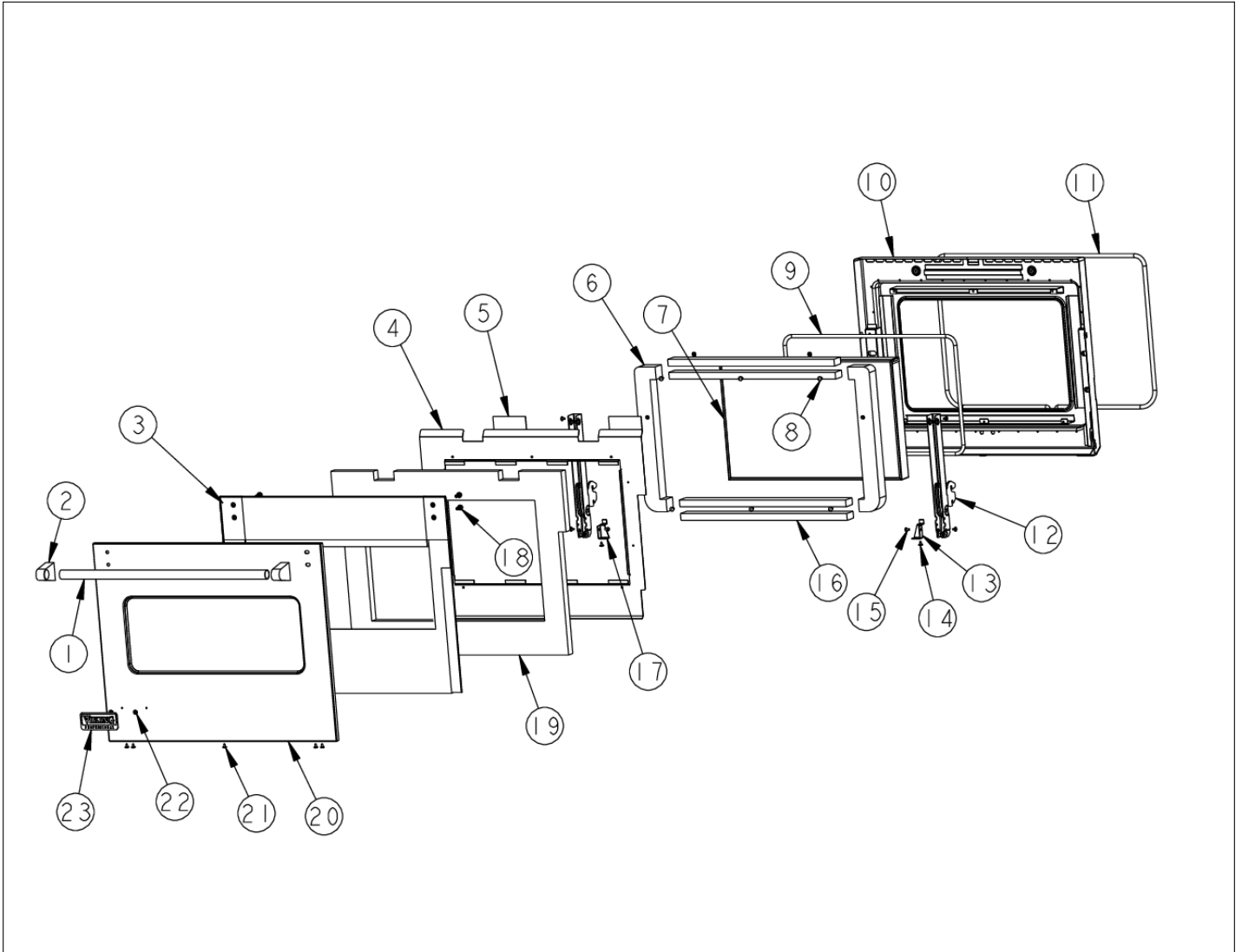


| Item | Part No. | Name | Qty | Uom | NOTES |
|-----------|--------------|--|-----|-----|---|
| Not Shown | PS500018LEBR | 27" PRO DOOR SKIN SERVICE KIT W/LOGO BEFORE 07/17/06 - LE/BR | 1 | EA | NO LONGER AVAILABLE, Not available online / Call for pricing and availability |
| Not Shown | PS500018MJ | 27" PRO DOOR SKIN SERVICE KIT W/LOGO BEFORE 07/17/06 - MJ | 1 | EA | NO LONGER AVAILABLE, Not available online / Call for pricing and availability |
| Not Shown | PS500018MJBR | 27" PRO DOOR SKIN SERVICE KIT W/LOGO BEFORE 07/17/06 - MJ/BR | 1 | EA | NO LONGER AVAILABLE, Not available online / Call for pricing and availability |
| Not Shown | PS500018SG | 27" PRO DOOR SKIN SERVICE KIT W/LOGO BEFORE 07/17/06 - SG | 1 | EA | NO LONGER AVAILABLE, Not available online / Call for pricing and availability |
| Not Shown | PS500018SGBR | 27" PRO DOOR SKIN SERVICE KIT W/LOGO BEFORE 07/17/06 - SG/BR | 1 | EA | NO LONGER AVAILABLE, Not available online / Call for pricing and availability |
| Not Shown | PS500018SS | 27" PRO DOOR SKIN SERVICE KIT W/LOGO BEFORE 07/17/06 - SS | 1 | EA | Not available online / Call for pricing and availability |
| Not Shown | PS500018SSBR | 27" PRO DOOR SKIN SERVICE KIT W/LOGO BEFORE 07/17/06 - SS/BR | 1 | EA | NO LONGER AVAILABLE, Not available online / Call for pricing and availability |
| Not Shown | PS500018VB | 27" PRO DOOR SKIN SERVICE KIT W/LOGO BEFORE 07/17/06 - VB | 1 | EA | NO LONGER AVAILABLE, Not available online / Call for pricing and availability |
| Not Shown | PS500018VBBR | 27" PRO DOOR SKIN SERVICE KIT W/LOGO BEFORE 07/17/06 - VB/BR | 1 | EA | NO LONGER AVAILABLE, Not available online / Call for pricing and availability |
| Not Shown | PS500018WH | 27" PRO DOOR SKIN SERVICE KIT W/LOGO BEFORE 07/17/06 - WH | 1 | EA | NO LONGER AVAILABLE |
| Not Shown | PS500018WHBR | 27" PRO DOOR SKIN SERVICE KIT W/LOGO BEFORE 07/17/06 - WH/BR | 1 | EA | NO LONGER AVAILABLE, Not available online / Call for pricing and availability |
| 21 | PD020032 | SRW-8(A)X3/8"PH.WFR HD 7/16DIA*NICL | 1 | EA | |



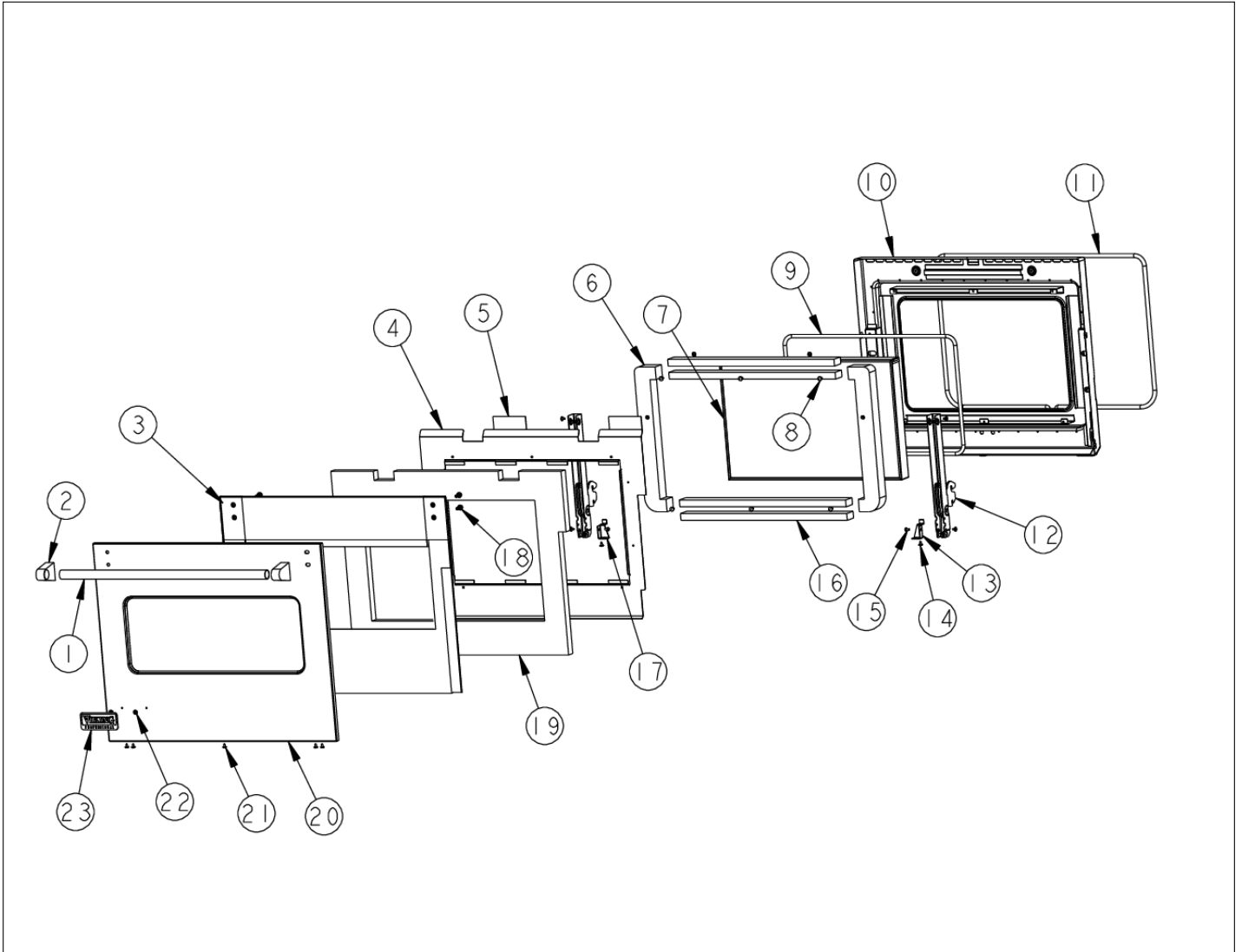


| Item | Part No. | Name | Qty | Uom | NOTES |
|-----------|---------------|---|-----|-----|---|
| 22 | PD030006 | CAPPED WASHER PAL NUT | 1 | EA | |
| 23 | PE010016 | LOGO (ALL RANGES) *BK/CHR 307997W | 1 | EA | |
| Not Shown | PE010017 | LOGO (VGSO,VEDO,VGDO,VUD) *WH/CHR | 1 | EA | |
| Not Shown | PE010079 | 4.5" LOGO/VIKING PROF *BK/BR | 1 | EA | |
| Not Shown | PE010080 | 4.5" LOGO/VIKING PROF *WH/BR | 1 | EA | |
| NI | G32012719AL | 27" DOOR ASSY W/LOGO *AL* | 1 | EA | NO LONGER AVAILABLE, Not available online / Call for pricing and availability |
| Not Shown | G32012719ALBR | COMPLETE DOOR ASSY. - ALBR | 1 | EA | |
| Not Shown | G32012719BK | 27" DOOR ASSY W/LOGO *BK* | 1 | EA | Not available online / Call for pricing and availability |
| Not Shown | G32012719BKBR | 27" DOOR ASSY W/LOGO *BKBR* | 1 | EA | NO LONGER AVAILABLE, Not available online / Call for pricing and availability |
| Not Shown | G32012719BT | 27" DOOR ASSY W/LOGO *BT* | 1 | EA | NO LONGER AVAILABLE |
| Not Shown | G32012719BTBR | 27" DOOR ASSY W/LOGO *BTBR* | 1 | EA | NO LONGER AVAILABLE, Not available online / Call for pricing and availability |
| Not Shown | G32012719BU | 27" DOOR ASSY W/LOGO *BU* | 1 | EA | NO LONGER AVAILABLE, Not available online / Call for pricing and availability |
| Not Shown | G32012719BUBR | 27" DOOR ASSY W/LOGO *BUBR* | 1 | EA | NO LONGER AVAILABLE, Not available online / Call for pricing and availability |
| Not Shown | G32012719CB | 27" DOOR ASSY W/LOGO *CB* | 1 | EA | NO LONGER AVAILABLE, Not available online / Call for pricing and availability |





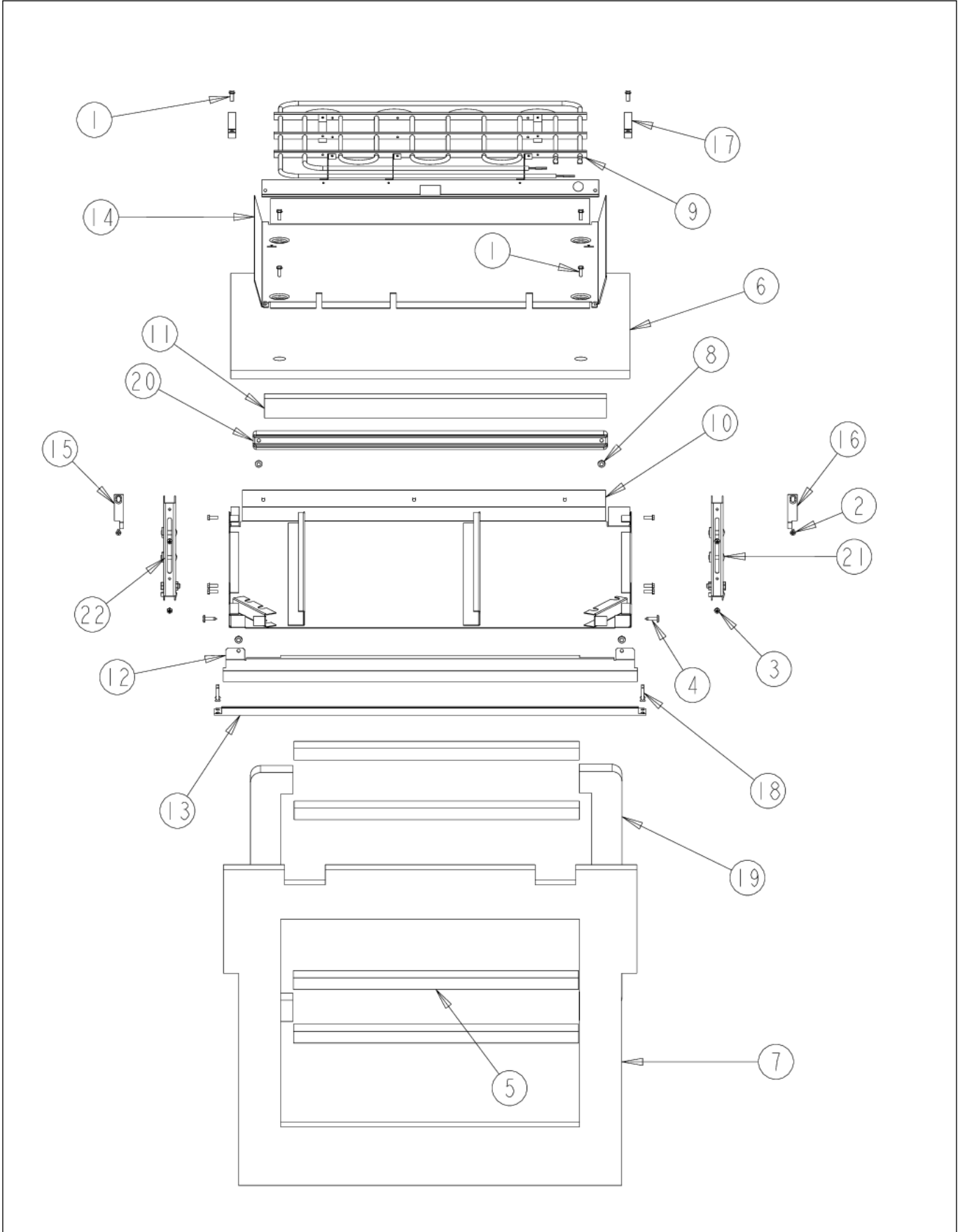
| Item | Part No. | Name | Qty | Uom | NOTES |
|-----------|---------------|-----------------------------|-----|-----|---|
| Not Shown | G32012719CBBR | 27" DOOR ASSY W/LOGO *CBBR* | 1 | EA | NO LONGER AVAILABLE, Not available online / Call for pricing and availability |
| Not Shown | G32012719EP | 27" DOOR ASSY W/LOGO *EP* | 1 | EA | NO LONGER AVAILABLE, Not available online / Call for pricing and availability |
| Not Shown | G32012719EPBR | 27" DOOR ASSY W/LOGO *EPBR* | 1 | EA | NO LONGER AVAILABLE, Not available online / Call for pricing and availability |
| Not Shown | G32012719FG | 27" DOOR ASSY W/LOGO *FG* | 1 | EA | NO LONGER AVAILABLE, Not available online / Call for pricing and availability |
| Not Shown | G32012719FGBR | 27" DOOR ASSY W/LOGO *FGBR* | 1 | EA | NO LONGER AVAILABLE, Not available online / Call for pricing and availability |
| Not Shown | G32012719GG | 27" DOOR ASSY W/LOGO *GG* | 1 | EA | NO LONGER AVAILABLE, Not available online / Call for pricing and availability |
| Not Shown | G32012719GGBR | 27" DOOR ASSY W/LOGO *GGBR* | 1 | EA | |
| Not Shown | G32012719LE | 27" DOOR ASSY W/LOGO *LE* | 1 | EA | NO LONGER AVAILABLE, Not available online / Call for pricing and availability |
| Not Shown | G32012719LEBR | 27" DOOR ASSY W/LOGO *LEBR* | 1 | EA | NO LONGER AVAILABLE, Not available online / Call for pricing and availability |
| Not Shown | G32012719MJ | 27" DOOR ASSY W/LOGO *MJ* | 1 | EA | NO LONGER AVAILABLE, Not available online / Call for pricing and availability |
| Not Shown | G32012719MJBR | 27" DOOR ASSY W/LOGO *MJBR* | 1 | EA | NO LONGER AVAILABLE, Not available online / Call for pricing and availability |





| Item | Part No. | Name | Qty | Uom | NOTES |
|-----------|---------------|-----------------------------|-----|-----|---|
| Not Shown | G32012719SG | 27" DOOR ASSY W/LOGO *SG* | 1 | EA | NO LONGER AVAILABLE, Not available online / Call for pricing and availability |
| Not Shown | G32012719SGBR | 27" DOOR ASSY W/LOGO *SGBR* | 1 | EA | NO LONGER AVAILABLE, Not available online / Call for pricing and availability |
| Not Shown | G32012719SS | 27" DOOR ASSY W/LOGO | 1 | EA | |
| Not Shown | G32012719SSBR | 27" DOOR ASSY W/LOGO *SSBR* | 1 | EA | NO LONGER AVAILABLE |
| Not Shown | G32012719VB | 27" DOOR ASSY W/LOGO *VB* | 1 | EA | NO LONGER AVAILABLE, Not available online / Call for pricing and availability |
| Not Shown | G32012719VBBR | 27" DOOR ASSY W/LOGO *VBBR* | 1 | EA | NO LONGER AVAILABLE, Not available online / Call for pricing and availability |
| Not Shown | G32012719WH | 27" DOOR ASSY W/LOGO *WH* | 1 | EA | |
| Not Shown | G32012719WHBR | 27" DOOR ASSY W/LOGO *WHBR* | 1 | EA | NO LONGER AVAILABLE, Not available online / Call for pricing and availability |

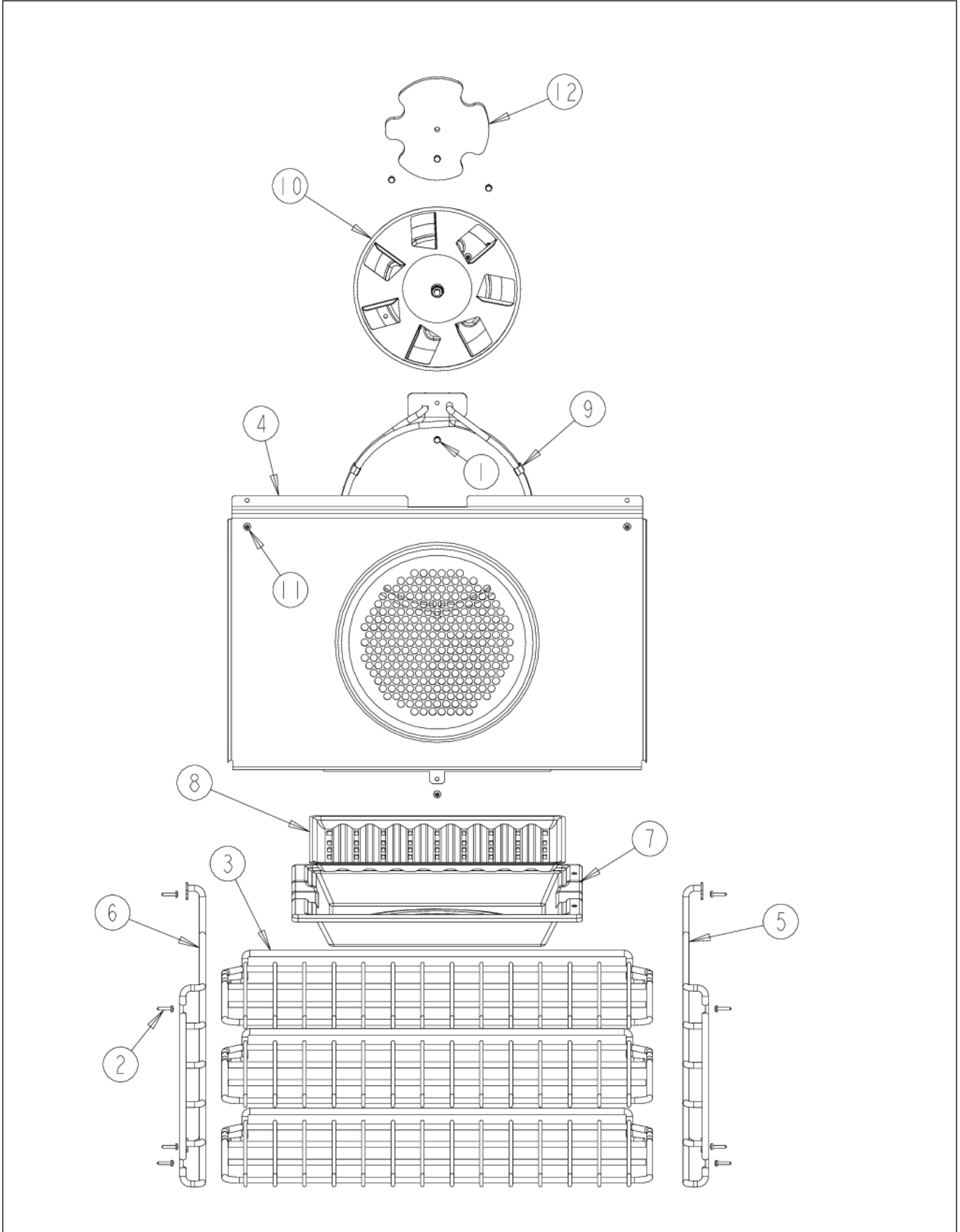
LOWER OVEN CAVITY





| Item | Part No. | Name | Qty | Uom | NOTES |
|------|-------------|--|-----|-----|---|
| 1 | PD020060 | 10 X 1/2" (5/16)HEX WSHER HD.(T)A | 1 | EA | |
| 2 | PD020061 | ' #8 X 3/4 FLAT HD TEK. *SS* | 1 | EA | |
| 3 | PD020062 | #8-32 X 3/8 PHMS TYPE 1 | 1 | EA | |
| 4 | PD020014 | 10X3/4 PH TR HD SMS | 1 | EA | |
| 5 | PB070273 | Window Pack Insulation | 1 | EA | |
| 6 | PB070300 | 27" BOTTOM INSULATION | 1 | EA | NO LONGER AVAILABLE, Not available online / Call for pricing and availability |
| 7 | PB070276 | 27" DOOR INSULATION | 1 | EA | |
| 8 | PD020063 | SCREW-#8(A) X 3/8"PH WFR HD/BK OXID | 1 | EA | |
| 9 | PJ010048 | BAKE ELEMENT | 1 | EA | |
| 10 | G30010922 | BASE MODULE ASSY 27" | 1 | EA | |
| 11 | PB070309 | BAKE ELEMENT INSULATION | 1 | EA | |
| 12 | C90010956BK | BOTTOM AIR DEFLECTOR 27" | 1 | EA | |
| 13 | PE040272 | 27" PROF. BOTTOM TRIM | 1 | EA | |
| 14 | A20010932 | ELEMENT, MTG TRAY | 1 | EA | NO LONGER AVAILABLE |
| 15 | B21010916 | HINGE CLIP - LH | 1 | EA | |
| 16 | B21010915 | HINGE CLIP - RH | 1 | EA | |
| 17 | A2009696 | HOLDER, BAKE ELEMENT | 1 | EA | |
| 18 | PD020170 | Screw, 6 X 1 Pan Hd | 1 | EA | |
| 19 | PB070271 | DOOR PLUG INSULATION | 1 | EA | |
| 20 | E9109655 | COVER, BAKE TRAY | 1 | EA | |
| 21 | PC020221 | HINGE POCKET RECEIVER MANSFIELD RH | 1 | EA | See TC-0121- SP Service Bulletin |
| 22 | PC020247 | HINGE POCKET RECEIVER MANSFIELD LH | 1 | EA | See TC-0121- SP Bulletin |

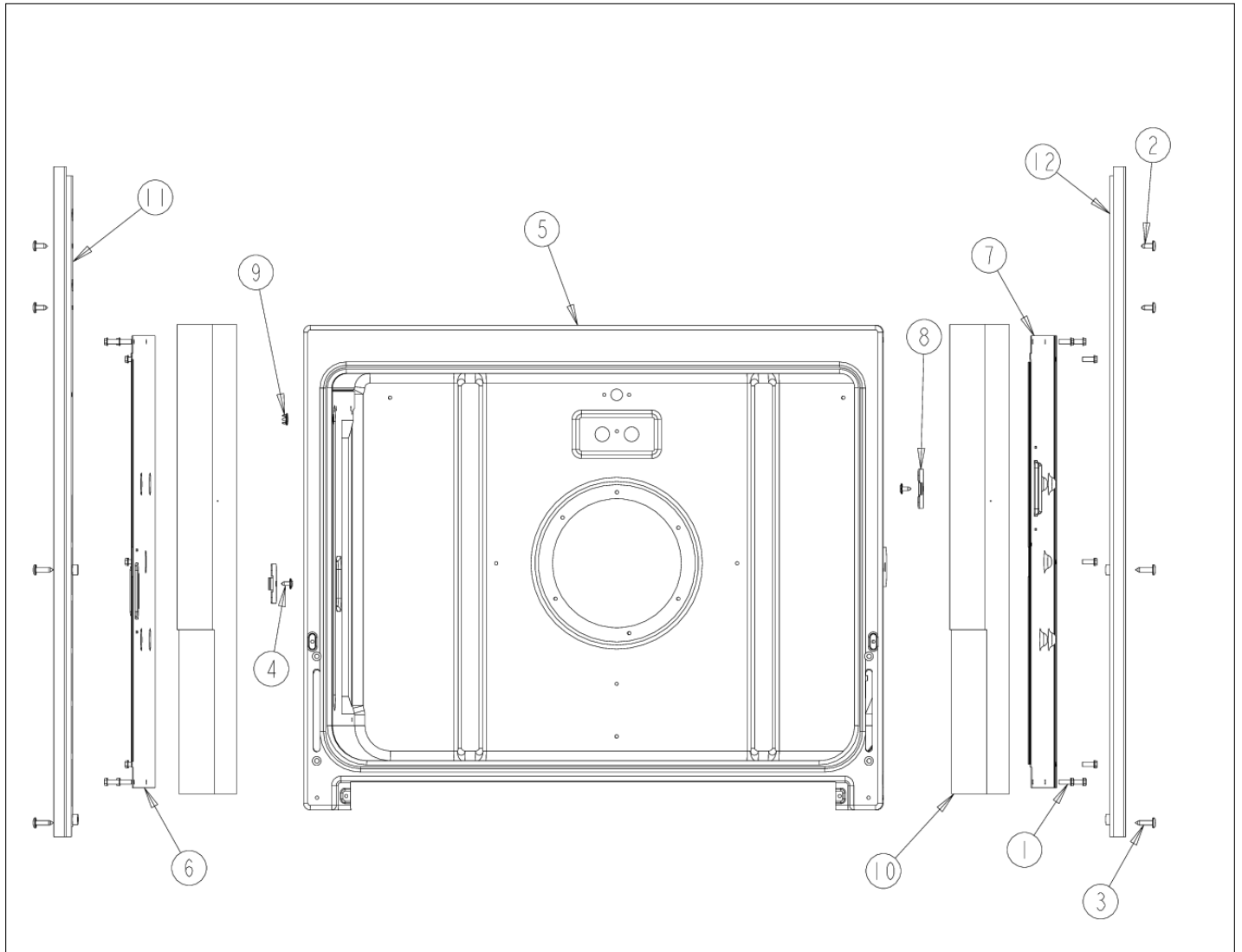
OVEN CAVITY INTERIOR





| Item | Part No. | Name | Qty | Uom | NOTES |
|------|------------|--|-----|-----|-------|
| 1 | PD020060 | 10 X 1/2" (5/16)HEX WSHER HD.(T)A | 1 | EA | |
| 2 | PD020232 | #8 X 3/4" PH PAN HEAD TEK SCREW (BLACK OXIDE) | 1 | EA | |
| 3 | 041045-000 | RACK, DF, PRO, 27" | 1 | EA | |
| 4 | G91013597 | 27" BAFFLE ASSEMBLY | 1 | EA | |
| 5 | PB060103 | RACK SUPPORT RH | 1 | EA | |
| 6 | PB060104 | RACK SUPPORT LH | 1 | EA | |
| 7 | E9107933 | BROILER PAN | 1 | EA | |
| 8 | E9107934 | BROILER PAN INSERT - NLA | 1 | EA | |
| 9 | PJ010047 | CONVECTION ELEMENT | 1 | EA | |
| 10 | G32014020 | CONVECTION FAN ASSY | 1 | EA | |
| 11 | PD020055 | ' #10 X 1/2" PAN PHIL. TEK.*SS* | 1 | EA | |
| 12 | PB070312 | CONVECTION MOTOR MTG. PLATE INSULATION | 1 | EA | |

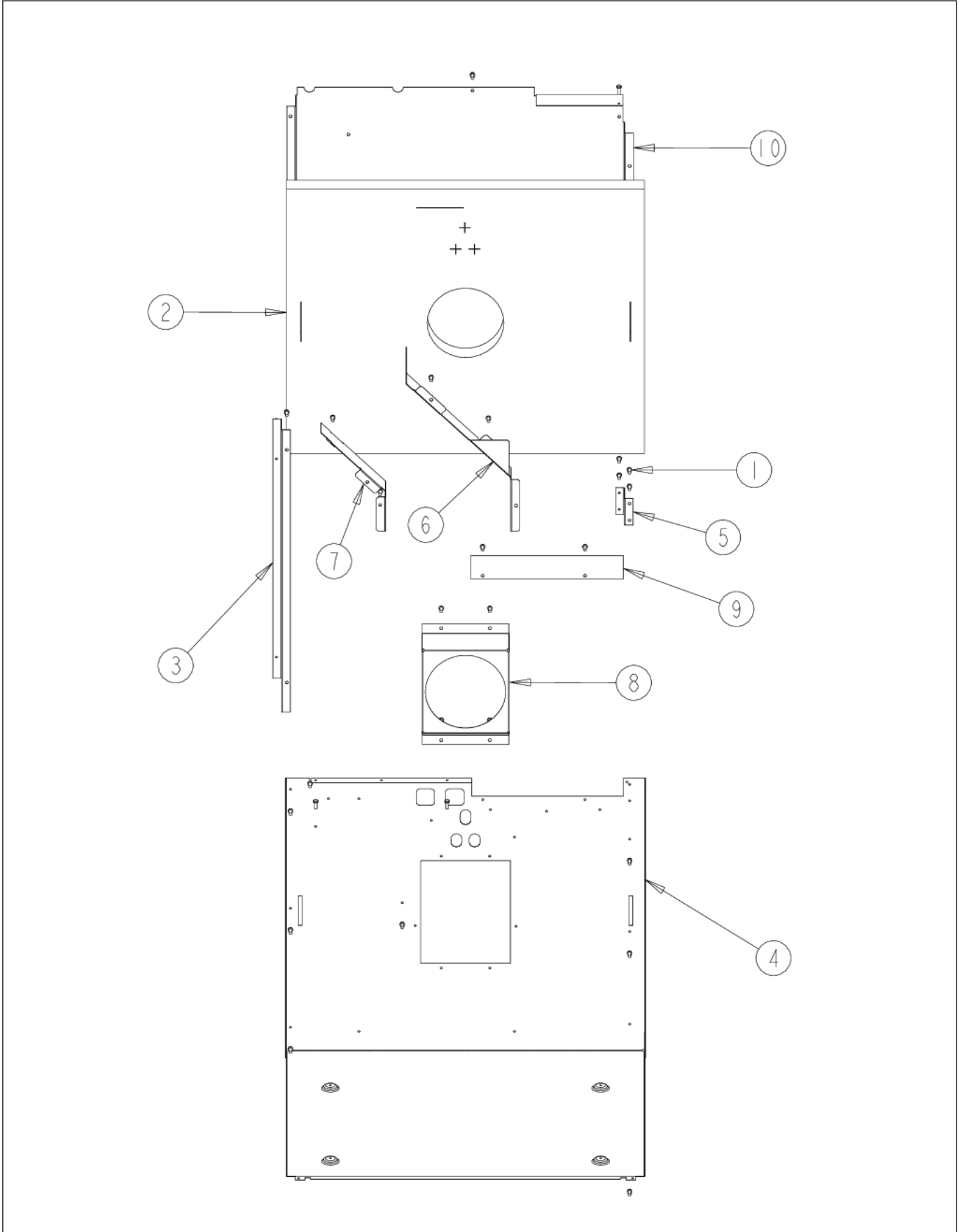
OVEN EXTERIOR





| Item | Part No. | Name | Qty | Uom | NOTES |
|------|-----------|--|-----|-----|---|
| 1 | PD020060 | 10 X 1/2" (5/16)HEX WSHER HD.(T)A | 1 | EA | |
| 2 | PD020002 | 10 X 1/2 PH.TR.HD.SMS. | 1 | EA | |
| 3 | PD020014 | 10X3/4 PH TR HD SMS | 1 | EA | |
| 4 | PD020063 | SCREW-#8(A) X 3/8"PH WFR HD/BK OXID | 1 | EA | |
| 5 | G91014042 | 27" PREMIERE CAVITY ASSY | 1 | EA | |
| 6 | A20012650 | BRKT, TOP WRAPPER LEFT | 1 | EA | Not available online / Call for pricing and availability |
| 7 | A2009622 | BRKT, TOP WRAPPER, RIGHT | 1 | EA | Not available online / Call for pricing and availability |
| 8 | E91012614 | LIGHT HOLE COVER | 1 | EA | |
| 9 | E91014053 | PORCELAIN 25/64" HOLE PLUG | 1 | EA | Not available online / Call for pricing and availability |
| 10 | PB070302 | SIDE INSULATION | 1 | EA | |
| 11 | PE040276 | PROF. SINGLE SIDE TRIM LH | 1 | EA | |
| 12 | PE040275 | PROF. SINGLE SIDE TRIM RH | 1 | EA | |

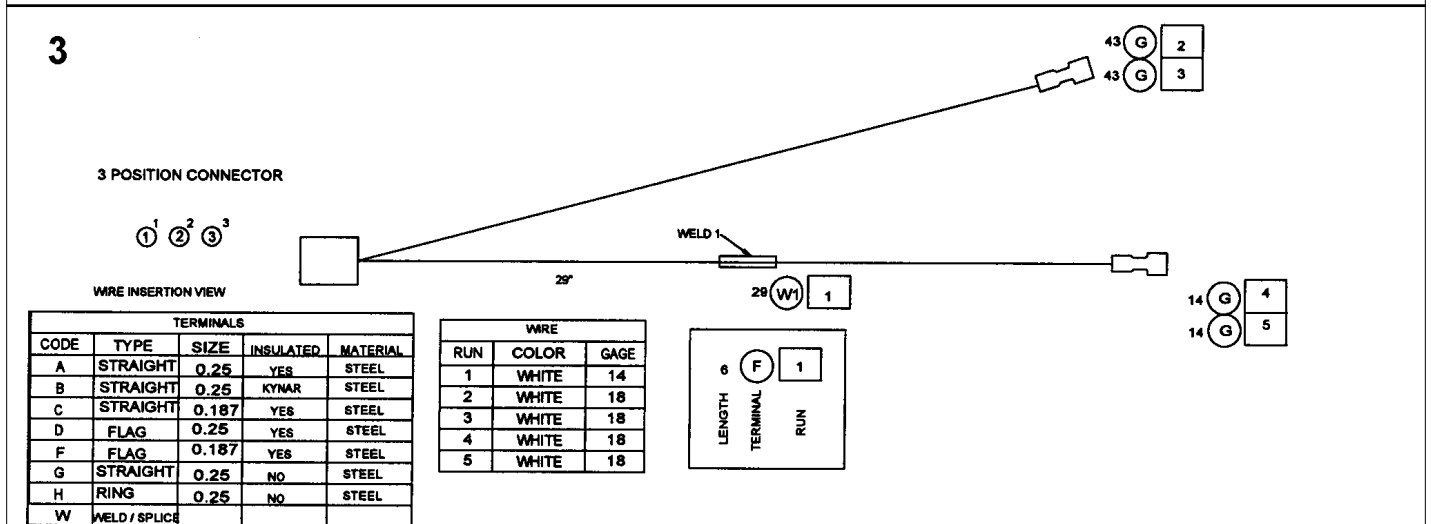
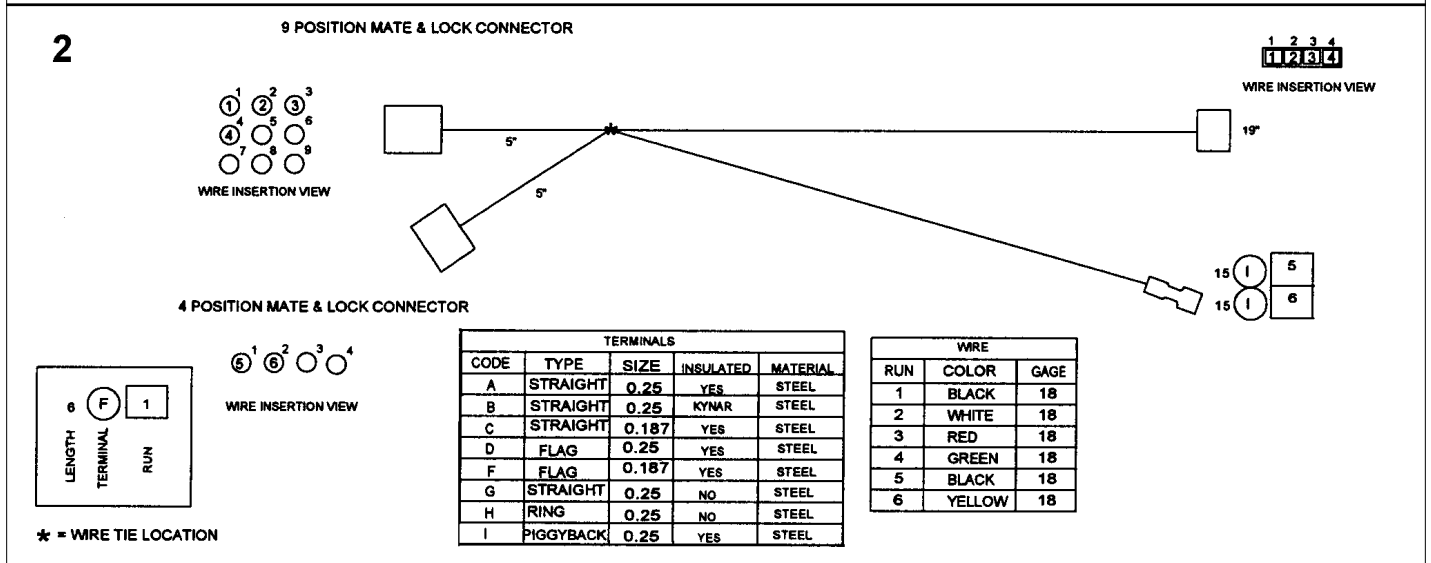
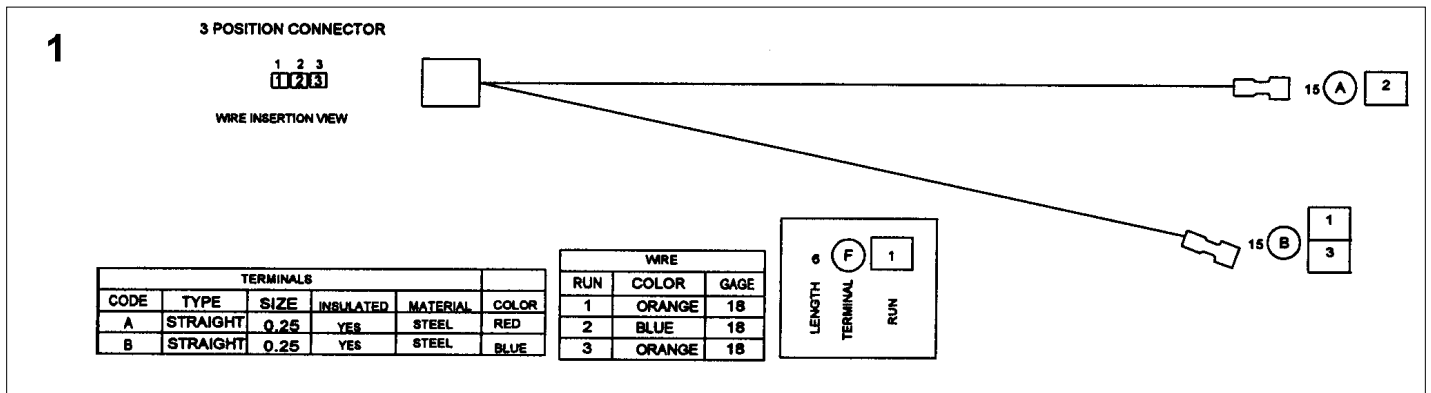
REAR UNIT AREA





| Item | Part No. | Name | Qty | Uom | NOTES |
|------|-----------|--------------------------------------|-----|-----|---|
| 1 | PD020060 | 10 X 1/2" (5/16)HEX WSHER HD.(T)A | 1 | EA | |
| 2 | PB070301 | 27" BACK INSULATION | 1 | EA | NO LONGER AVAILABLE, Not available online / Call for pricing and availability |
| 3 | A2009666 | AIR CHANNEL | 1 | EA | |
| 4 | A20010931 | BASE, BACK WRAPPER, 27" | 1 | EA | NO LONGER AVAILABLE, Not available online / Call for pricing and availability |
| 5 | A2009671 | BRACKET, POWER CABLE | 1 | EA | |
| 6 | A21010918 | BRACKET, AIR, CONVECTION MOTOR | 1 | EA | NO LONGER AVAILABLE, Not available online / Call for pricing and availability |
| 7 | A21010919 | BRACKET, AIR, CONVECTION MOTOR | 1 | EA | NO LONGER AVAILABLE, Not available online / Call for pricing and availability |
| 8 | A2009697 | BRACKET, CONVECTION INSULATION | 1 | EA | |
| 9 | A10010907 | COVER, BLOWER | 1 | EA | |
| 10 | A20010937 | PANEL, REAR 27" | 1 | EA | NO LONGER AVAILABLE |

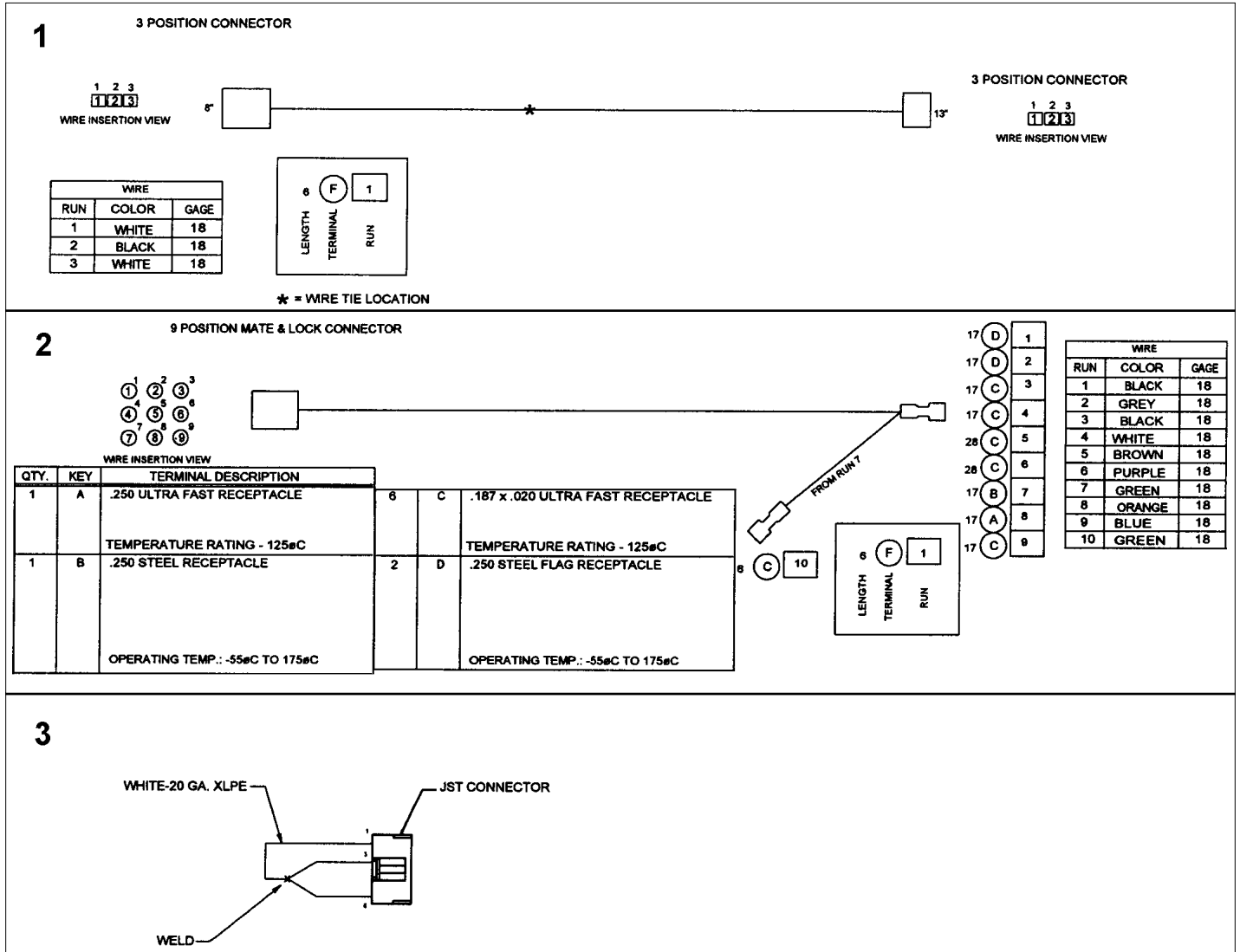
SIMPLE HARNESSES 1





| Item | Part No. | Name | Qty | Uom | NOTES |
|------|----------|--|-----|-----|--|
| 1 | PE070743 | SINGLE CLOCK HARNESS | 1 | EA | |
| 2 | PE070754 | TEST HARNESS SINGLE | 1 | EA | Not available online / Call for pricing and availability |
| 3 | PE070739 | BAKE ELEMENT HARNESS | 1 | EA | |
| NI | G4005496 | SUPPLY WIRE - 100" BK 10GA SO/DO | 1 | EA | |
| NI | G4005497 | SUPPLY WIRE - 100" GREEN 10GA SO/DO | 1 | EA | |
| NI | G4005499 | SUPPLY WIRE - 100" RED 10GA SO/DO | 1 | EA | |
| NI | G4005494 | SUPPLY WIRE - 75" WH 12 GA SO/DO - NLA | 1 | EA | |
| NI | PB020071 | CONDUIT - FLEXIBLE (48") | 1 | EA | |
| NI | PB040070 | CONDUIT FITTING (90 DEG) | 1 | EA | |

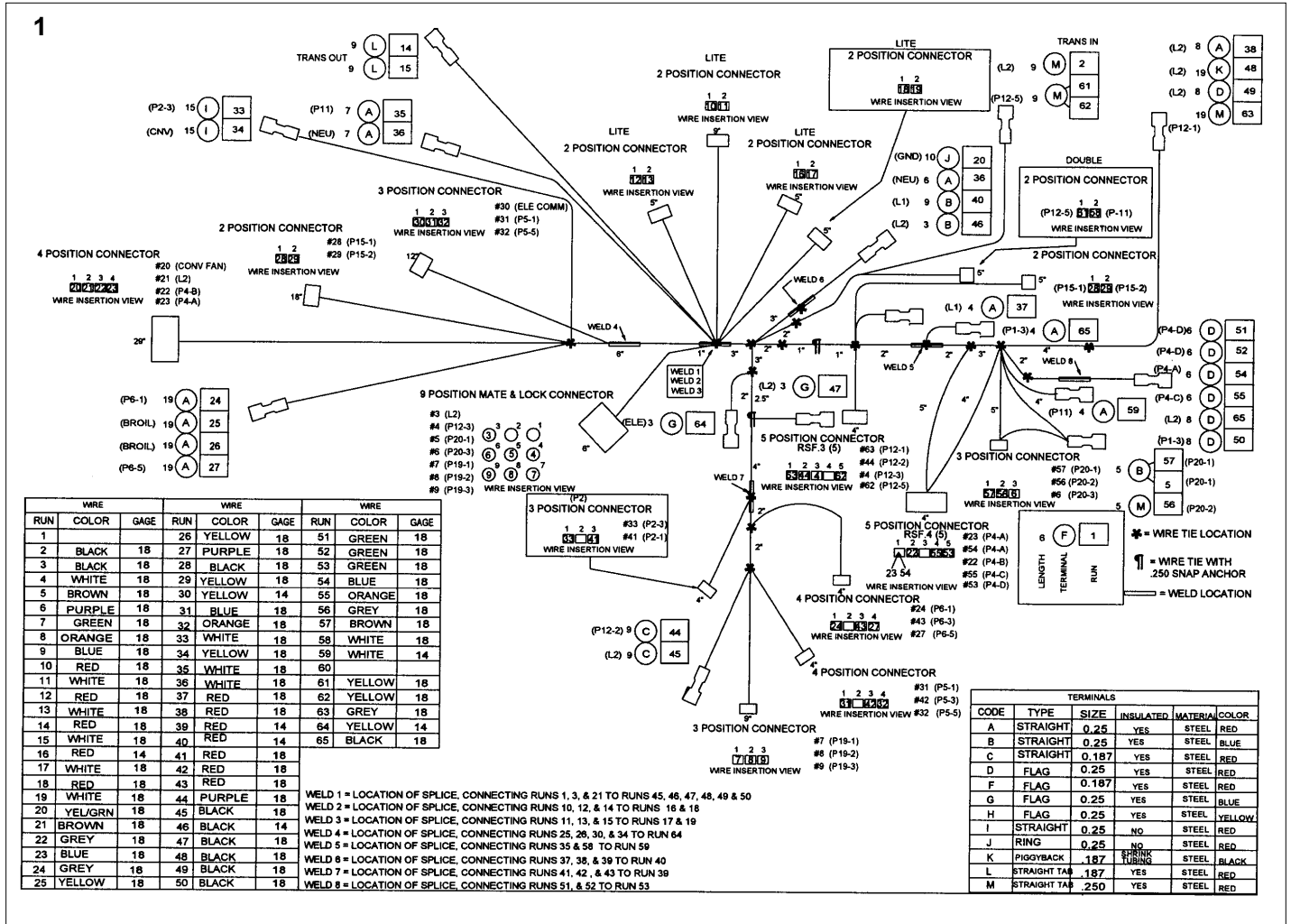
SIMPLE HARNESSES 2





| Item | Part No. | Name | Qty | Uom | NOTES |
|------|----------|---------------------|-----|-----|-------|
| 1 | PE070738 | T/STAT-SEL HARNESS | 1 | EA | |
| 2 | PE070733 | UPPER LATCH HARNESS | 1 | EA | |
| 3 | PE070734 | SINGLE OVEN HEADER | 1 | EA | |

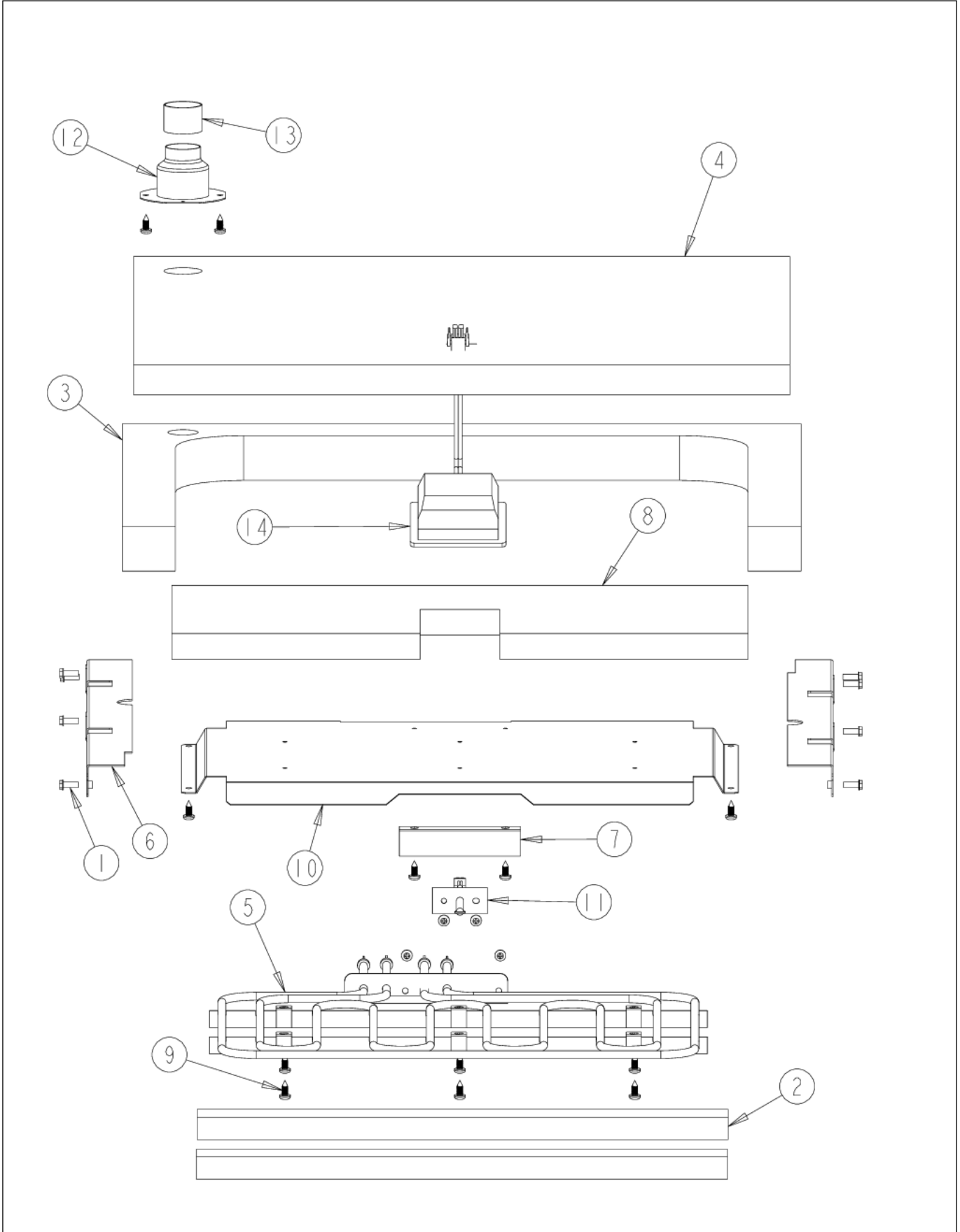
UPPER CONTROL HARNESS





| Item | Part No. | Name | Qty | Uom | NOTES |
|------|----------|-----------------------|-----|-----|-------|
| 1 | PE070742 | UPPER CONTROL HARNESS | 1 | EA | |

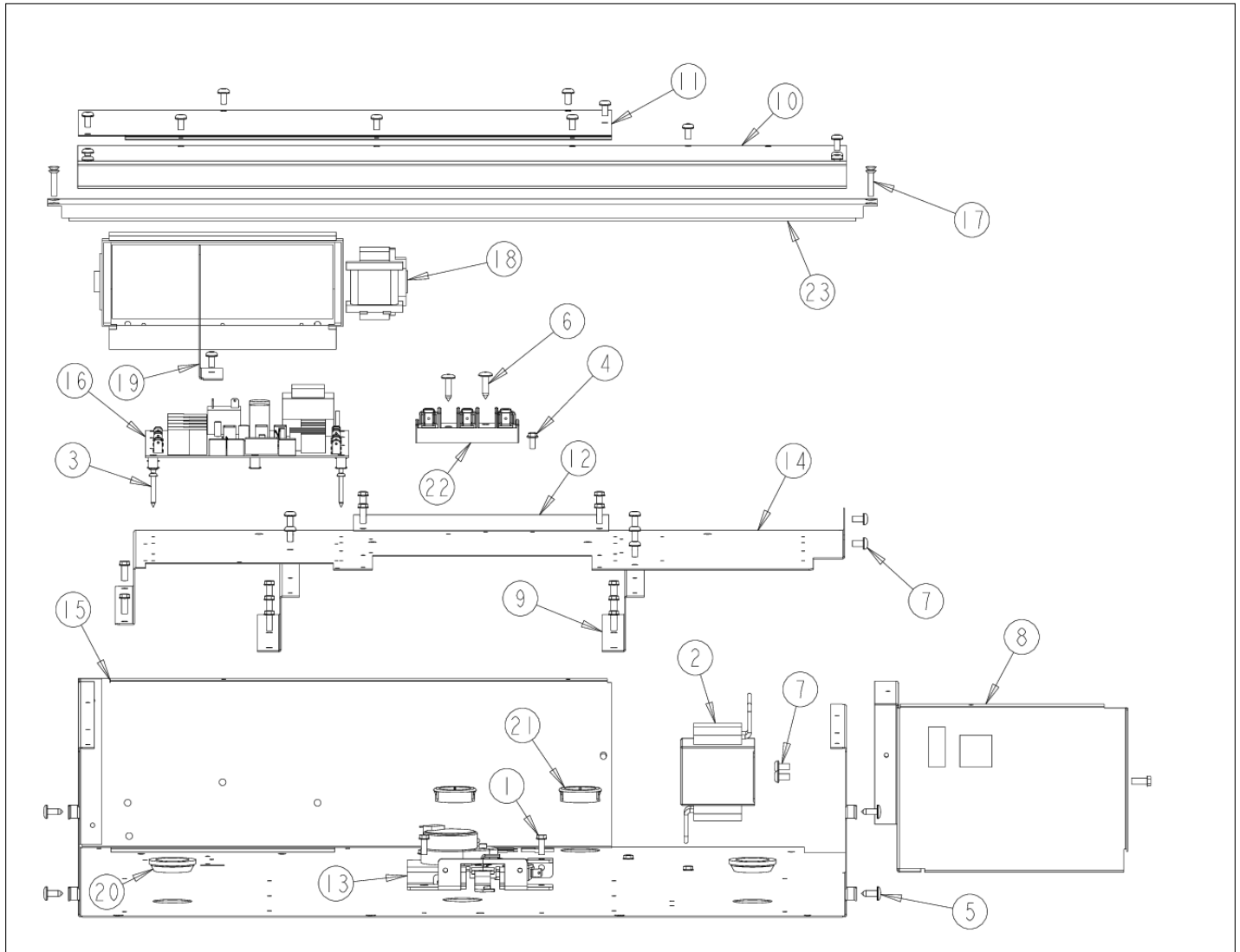
UPPER OVEN CAVITY



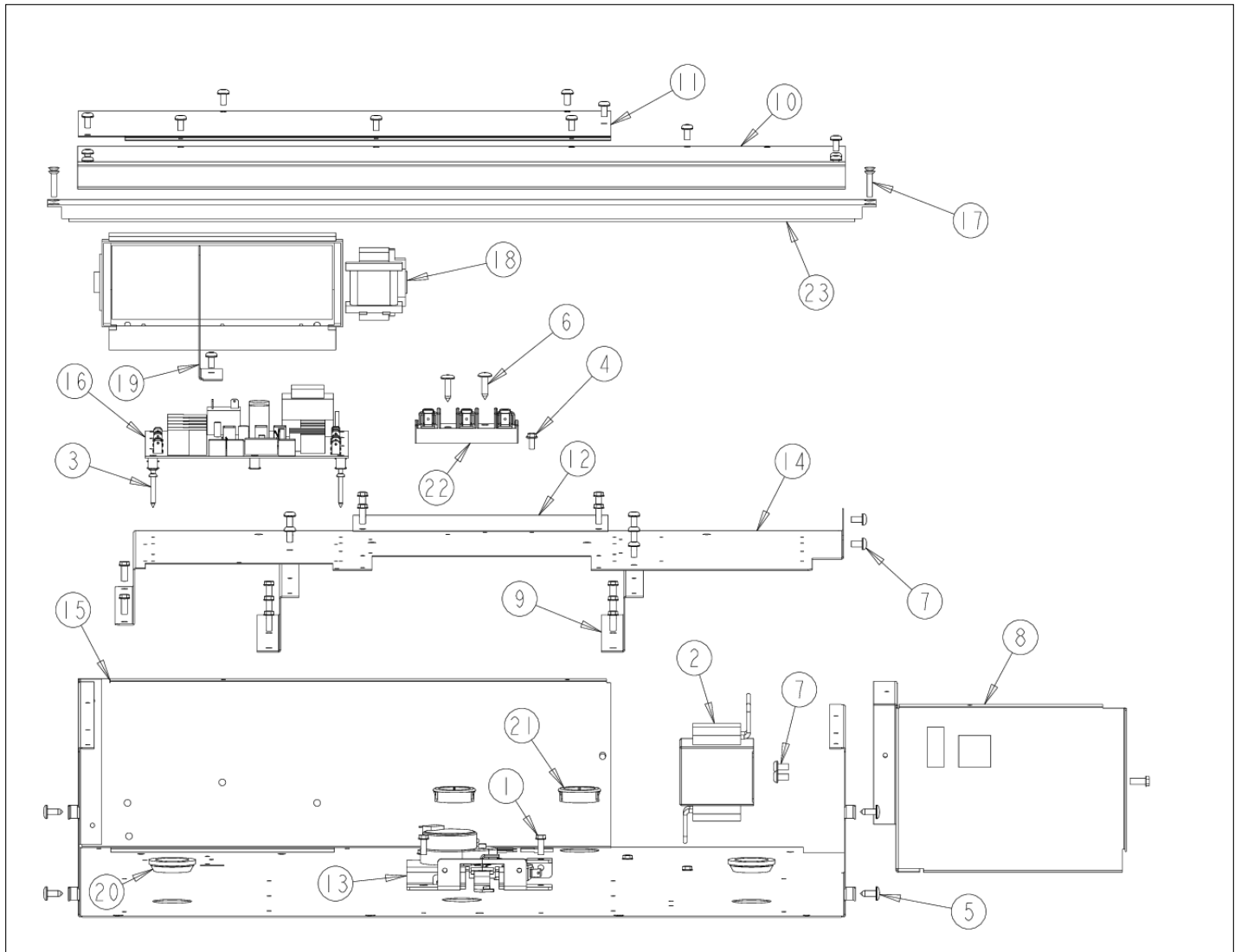


| Item | Part No. | Name | Qty | Uom | NOTES |
|--------------|------------|--------------------------------------|-----|-----|---|
| 1 | PD020060 | 10 X 1/2" (5/16)HEX WSHER HD.(T)A | 1 | EA | |
| 2 | PB070273 | Window Pack Insulation | 1 | EA | |
| 3 | PB070306 | Top Broil Insulation | 1 | EA | Not available online / Call for pricing and availability |
| 4 | PB070307 | Top Insulation | 1 | EA | Not available online / Call for pricing and availability |
| 5 | PJ010049 | BROIL ELEMENT | 1 | EA | |
| 6 | A2009641 | BRKT, TOP WRAPPER | 1 | EA | |
| 7 | A20014044 | BROIL ELEMENT SHIELD | 1 | EA | |
| 8 | PB070337 | Liner Insulation | 1 | EA | |
| 9 | PD020055 | ' #10 X 1/2" PAN PHIL. TEK.*SS* | 1 | EA | |
| 10 | A20014021 | REFLECTOR, BROIL | 1 | EA | |
| 11 | PE050206 | RTD THERMOSTAT PROBE | 1 | EA | |
| 12 | PM010014 | SMOKE ELIMINATOR (VDSC) | 1 | EA | |
| 13 | PB020275 | VENT TUBE | 1 | EA | |
| 14 | PE050205 | Top Halogen Light | 1 | EA | |
| Not Shown | NOTE | (BEFORE C-0396) | | EA | |
| PE05023 9 | 020403-000 | LAMP, OVEN, 120V/40W | 1 | EA | |
| Not Shown | NOTE | (AFTER C-0396) | | EA | |

UPPER UNIT AREA AFTER 07-20-06

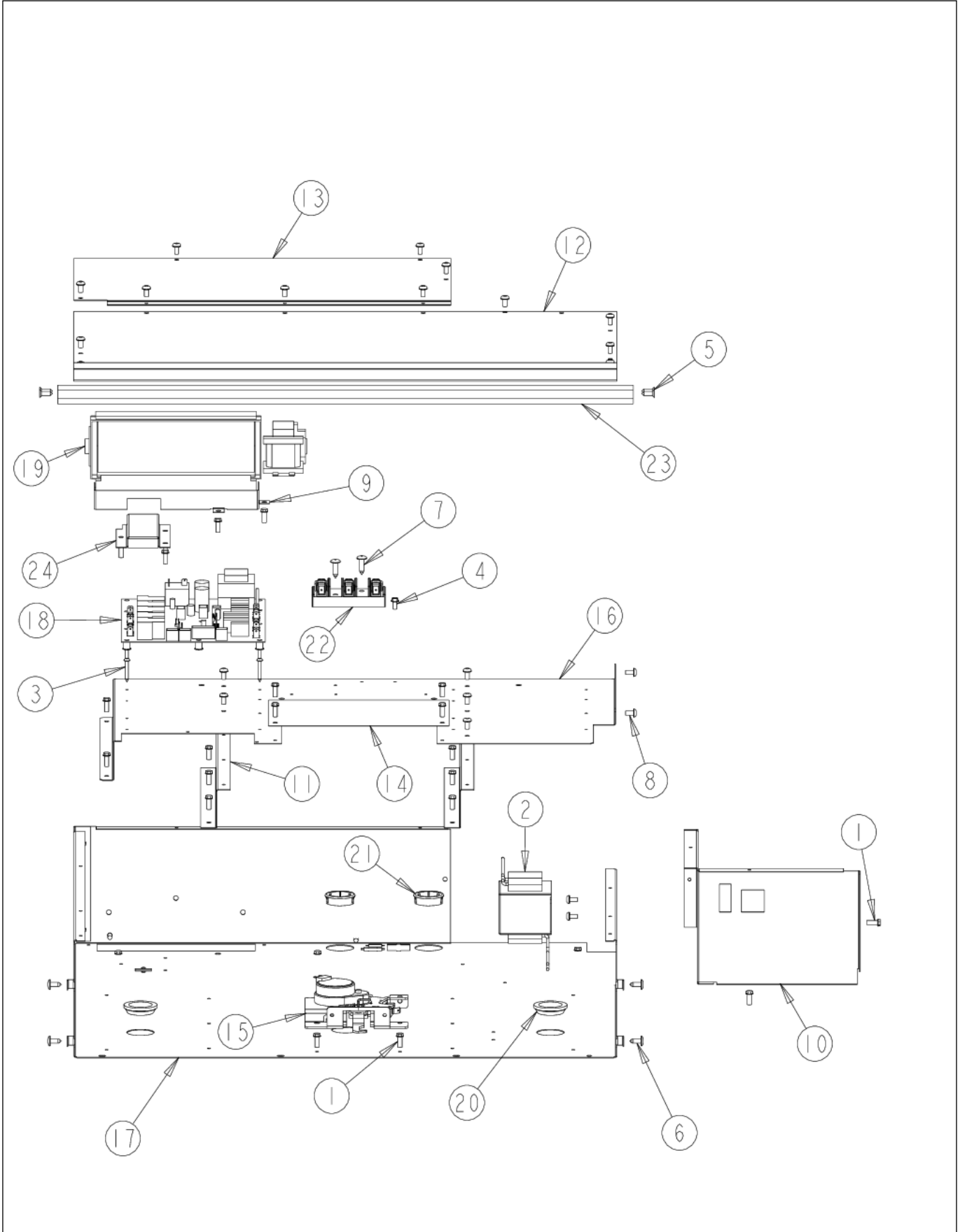


| Item | Part No. | Name | Qty | Uom | NOTES |
|-----------|------------|---|-----|-----|---|
| 1 | PD020060 | 10 X 1/2" (5/16)HEX WSHER HD.(T)A | 1 | EA | |
| 2 | PE070634 | HALOGEN LIGHT TRANSFORMER | 1 | EA | NO LONGER AVAILABLE |
| Not Shown | NOTE | (Used only on units before serial # C-0396) | | EA | |
| 3 | PD020185 | Screw, 6 X 1" Pan Head | 1 | EA | |
| 4 | PD020010 | 10 X 3/8 GREEN GROUNDING SCREW | 1 | EA | |
| 5 | PD020002 | 10 X 1/2 PH.TR.HD.SMS. | 1 | EA | |
| 6 | PD020014 | 10X3/4 PH TR HD SMS | 1 | EA | |
| 7 | PD020004 | 10X3/8PH.HD.TYPE 25 REPL PD040125 | 1 | EA | |
| 8 | A20010934 | BRACKET, MODULE PAN | 1 | EA | |
| 9 | A20010910 | Support Bracket, Electronics Hat | 1 | EA | Not available online / Call for pricing and availability |
| 10 | A20014046 | Front Cover | 1 | EA | Not available online / Call for pricing and availability |
| 11 | A20014047 | Rear Cover | 1 | EA | Not available online / Call for pricing and availability |
| 12 | A10010911 | Latch Cover | 1 | EA | |
| 13 | 013250-000 | LATCH,DOOR,ASM,240V,GRID DLE LOCKOUT | 1 | EA | |
| 14 | A20010935 | Electronics Hat | 1 | EA | Not available online / Call for pricing and availability |
| 14 | NOTE | BEFORE 7/28/10 (072810C00028948) | | EA | |
| 14 | 024413-000 | 27" MTG PANEL, CONTROL | 1 | EA | |
| 14 | NOTE | ON OR AFTER (072810C00028948) | | EA | |
| 15 | A20010933 | MODULE PAN 27" | | EA | NO LONGER AVAILABLE, Not available online / Call for pricing and availability |
| 16 | 002406-000 | CONTROL BOARD | 1 | EA | |

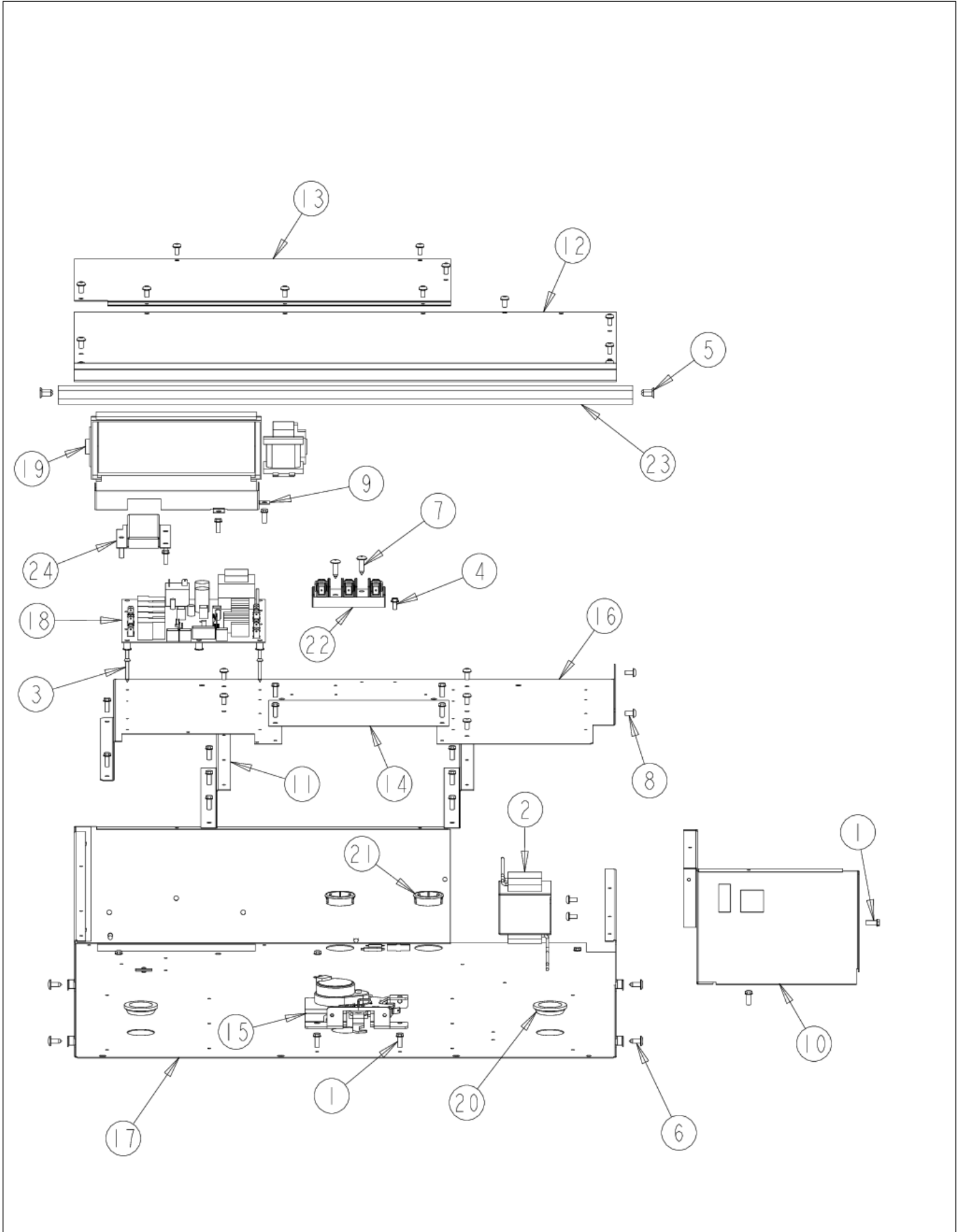


| Item | Part No. | Name | Qty | Uom | NOTES |
|---|------------|--|-----|-----|-------|
| Comments for Part Num. 002406-000 | | | | | |
| haarnink@vikingrange.com on Jun 18, 2015 | | | | | |
| For the international E Model numbers EVDSC5 we need to add the info that since First unit was EVDSC530S4B: 092314C10147281 any EVDSC built in 2014 went into production with EOC4. so here we need to add the part number 014000-000 EOC4 plus the SMPS part number 013999-000 | | | | | |
| Not Shown | NOTE | BEFORE 7/28/10 (072810C00028948) | | EA | |
| 16 | 046142-556 | CONTROL, EOC4, LED, V39/V51 & FAMILY | 1 | EA | |
| Not Shown | NOTE | ON OR AFTER 7/28/10 (072810C00028948) | | EA | |
| NI | 015201-000 | LINEAR POWER SUPPLY | 1 | EA | |
| Not Shown | NOTE | ON OR AFTER (072810C00028948) | | EA | |
| 17 | PD020170 | Screw, 6 X 1 Pan Hd | 1 | EA | |
| 18 | PE050250 | Blower | 1 | EA | |
| Comments for Part Num. PE050250 | | | | | |
| highendappsvc@gmail.com on Jan 28, 2019 | | | | | |
| If you need to replace cooling fan for the model vgsc5486gss serial date code 031412, do not order this fan, this fan is larger and configured wrong. The correct fan is 007794-000. it is smaller. | | | | | |
| Not Shown | NOTE | (BEFORE 02/04/13) | | EA | |
| 18 | 018607-000 | FAN, BLO, 220-240V 50/60Hz ASM (MT1664) | 1 | EA | |
| Not Shown | NOTE | (ON OR AFTER 02/04/13) | | EA | |
| 19 | A2009667 | REAR AIR DIVIDER | 1 | EA | |
| 20 | PB070079 | SILICONE EXTRUSION (DGSU) | 1 | EA | |
| 21 | PD040152 | SNAP BUSHING | 1 | EA | |
| 22 | PE070147 | TERMINAL BLOCK (VDSC) | 1 | EA | |
| 23 | PE040271 | 27" PROF. TOP TRIM | 1 | EA | |

UPPER UNIT AREA BEFORE 07-20-06



| Item | Part No. | Name | Qty | Uom | NOTES |
|------|------------|--|-----|-----|---|
| 1 | PD020060 | 10 X 1/2" (5/16)HEX WSHER HD.(T)A | 1 | EA | |
| 2 | PE070634 | HALOGEN LIGHT TRANSFORMER | 1 | EA | NO LONGER AVAILABLE |
| 3 | PD020185 | Screw, 6 X 1" Pan Head | 1 | EA | |
| 4 | PD020010 | 10 X 3/8 GREEN GROUNDING SCREW | 1 | EA | |
| 5 | PD020231 | #8 X 1/2" PH FLAT HEAD TEK SCREW (BLACK OXIDE) | 1 | EA | NO LONGER AVAILABLE, Not available online / Call for pricing and availability |
| 6 | PD020002 | 10 X 1/2 PH.TR.HD.SMS. | 1 | EA | |
| 7 | PD020014 | 10X3/4 PH TR HD SMS | 1 | EA | |
| 8 | PD020004 | 10X3/8PH.HD.TYPE 25 REPL PD040125 | 1 | EA | |
| 9 | A20014035 | 27" BLOWER BRACKET | 1 | EA | NO LONGER AVAILABLE, Not available online / Call for pricing and availability |
| 10 | A20010934 | BRACKET, MODULE PAN | 1 | EA | |
| 11 | A20010910 | Support Bracket, Electronics Hat | 1 | EA | Not available online / Call for pricing and availability |
| 12 | A20014046 | Front Cover | 1 | EA | Not available online / Call for pricing and availability |
| 13 | A20014047 | Rear Cover | 1 | EA | Not available online / Call for pricing and availability |
| 14 | A10010911 | Latch Cover | 1 | EA | |
| 15 | 013250-000 | LATCH,DOOR,ASM,240V,GRID DLE LOCKOUT | 1 | EA | |
| 16 | A20010935 | Electronics Hat | 1 | EA | Not available online / Call for pricing and availability |
| 17 | A20010933 | MODULE PAN 27" | 1 | EA | NO LONGER AVAILABLE, Not available online / Call for pricing and availability |
| 18 | 002406-000 | CONTROL BOARD | 1 | EA | |



| Item | Part No. | Name | Qty | Uom | NOTES |
|---|-----------|---------------------------|-----|-----|---|
| <p>Comments for Part Num. 002406-000</p> <p>haarnink@vikingrange.com on Jun 18, 2015</p> <p>For the international E Model numbers EVDSC5 we need to add the info that since First unit was EVDSC530S4B: 092314C10147281 any EVDSC built in 2014 went into production with EOC4. so here we need to add the part number 014000-000 EOC4 plus the SMPS part number 013999-000</p> | | | | | |
| 19 | PE050250 | Blower | 1 | EA | |
| <p>Comments for Part Num. PE050250</p> <p>highendappsvc@gmail.com on Jan 28, 2019</p> <p>If you need to replace cooling fan for the model vgsc5486gss serial date code 031412, do not order this fan, this fan is larger and configured wrong. The correct fan is 007794-000. it is smaller.</p> | | | | | |
| 20 | PB070079 | SILICONE EXTRUSION (DGSU) | 1 | EA | |
| 21 | PD040152 | SNAP BUSHING | 1 | EA | |
| 22 | PE070147 | TERMINAL BLOCK (VDSC) | 1 | EA | |
| 23 | PE040271 | 27" PROF. TOP TRIM | 1 | EA | |
| 24 | A20014033 | UPPER VENT COVER | 1 | EA | NO LONGER AVAILABLE, Not available online / Call for pricing and availability |



Appendix A:Pages Index

CONTROL AREA 1
DOOR ASSEMBLY 2
LOWER OVEN CAVITY 3
OVEN CAVITY INTERIOR 4
OVEN EXTERIOR 5
REAR UNIT AREA 6
SIMPLE HARNESSSES 1 7
SIMPLE HARNESSSES 2 8
UPPER CONTROL HARNESS 9
UPPER OVEN CAVITY 10
UPPER UNIT AREA AFTER 07-20-06 11
UPPER UNIT AREA BEFORE 07-20-06 12



Appendix B:Parts Index

| | | | |
|------------|--------|---------------|----|
| 000268-000 | 2 | A2009666 | 6 |
| 000594-000 | 2 | A2009667 | 11 |
| 001501-000 | 2 | A2009671 | 6 |
| 001503-000 | 2 | A2009696 | 3 |
| 002406-000 | 11, 12 | A2009697 | 6 |
| 006071-000 | 2 | A21010918 | 6 |
| 013250-000 | 11, 12 | A21010919 | 6 |
| 015201-000 | 11 | B21010915 | 3 |
| 018607-000 | 11 | B21010916 | 3 |
| 020403-000 | 10 | B92014064 | 1 |
| 024413-000 | 11 | C90010956BK | 3 |
| 036047-000 | 1 | C90014073BK | 1 |
| 041045-000 | 4 | C92014064BK | 1 |
| 046142-556 | 11 | C92014064WH | 1 |
| 050172-000 | 1 | E91012614 | 5 |
| A10010907 | 6 | E91014053 | 5 |
| A10010911 | 11, 12 | E9107933 | 4 |
| A10014028 | 1 | E9107934 | 4 |
| A20010910 | 11, 12 | E9109655 | 3 |
| A20010931 | 6 | G30010922 | 3 |
| A20010932 | 3 | G32012719AL | 2 |
| A20010933 | 11, 12 | G32012719ALBR | 2 |
| A20010934 | 11, 12 | G32012719BK | 2 |
| A20010935 | 11, 12 | G32012719BKBR | 2 |
| A20010937 | 6 | G32012719BT | 2 |
| A20010949 | 2 | G32012719BTBR | 2 |
| A20012640 | 2 | G32012719BU | 2 |
| A20012641 | 2 | G32012719BUBR | 2 |
| A20012649 | 1 | G32012719CB | 2 |
| A20012650 | 5 | G32012719CBBR | 2 |
| A20014021 | 10 | G32012719EP | 2 |
| A20014033 | 12 | G32012719EPBR | 2 |
| A20014035 | 12 | G32012719FG | 2 |
| A20014044 | 10 | G32012719FGBR | 2 |
| A20014046 | 11, 12 | G32012719GG | 2 |
| A20014047 | 11, 12 | G32012719GGBR | 2 |
| A20014061 | 1 | G32012719LE | 2 |
| A20014063 | 1 | G32012719LEBR | 2 |
| A2009622 | 5 | G32012719MJ | 2 |
| A2009641 | 10 | G32012719MJBR | 2 |
| | | G32012719SG | 2 |



| | | | |
|---------------|----------|-------------|---------------------------|
| G32012719SGBR | 2 | PB070307 | 10 |
| G32012719SS | 2 | PB070309 | 3 |
| G32012719SSBR | 2 | PB070312 | 4 |
| G32012719VB | 2 | PB070336 | 2 |
| G32012719VBBR | 2 | PB070337 | 10 |
| G32012719WH | 2 | PC020221 | 3 |
| G32012719WHBR | 2 | PC020247 | 3 |
| G32014020 | 4 | PD020002 | 2, 5, 11, 12 |
| G40015469 | 1 | PD020004 | 1, 2, 11, 12 |
| G4005494 | 7 | PD020010 | 11, 12 |
| G4005496 | 7 | PD020013 | 1 |
| G4005497 | 7 | PD020014 | 3, 5, 11, 12 |
| G4005499 | 7 | PD020032 | 2 |
| G50015481 | 1 | PD020055 | 4, 10 |
| G91010942 | 2 | PD020060 | 1, 3, 4, 5, 6, 10, 11, 12 |
| G91013597 | 4 | PD020061 | 3 |
| G91014042 | 5 | PD020062 | 3 |
| PB010304PVD | 1 | PD020063 | 2, 3, 5 |
| PB010305 | 1 | PD020170 | 3, 11 |
| PB010306 | 1 | PD020185 | 11, 12 |
| PB010307 | 1 | PD020186 | 2 |
| PB010308 | 1 | PD020231 | 12 |
| PB010309 | 1 | PD020232 | 4 |
| PB010310 | 1 | PD020261 | 1 |
| PB010311 | 1 | PD030006 | 2 |
| PB010312 | 1 | PD030172 | 1 |
| PB020071 | 7 | PD040004 | 1 |
| PB020275 | 10 | PD040152 | 11, 12 |
| PB020276 | 2 | PD040164 | 1 |
| PB040070 | 7 | PE010016 | 2 |
| PB060103 | 4 | PE010017 | 2 |
| PB060104 | 4 | PE010079 | 2 |
| PB070079 | 11, 12 | PE010080 | 2 |
| PB070245 | 2 | PE030001PVD | 2 |
| PB070271 | 2, 3 | PE030178 | 2 |
| PB070273 | 2, 3, 10 | PE030178PVD | 2 |
| PB070276 | 3 | PE040271 | 11, 12 |
| PB070300 | 3 | PE040272 | 3 |
| PB070301 | 6 | PE040275 | 5 |
| PB070302 | 5 | PE040276 | 5 |
| PB070306 | 10 | PE050023 | 1 |



| | | | |
|--------------|--------|--------------|---|
| PE050072 | 1 | PS500014MJ | 2 |
| PE050205 | 10 | PS500014MJBR | 2 |
| PE050206 | 10 | PS500014SG | 2 |
| PE050208 | 1 | PS500014SGBR | 2 |
| PE050214 | 1 | PS500014SS | 2 |
| PE050250 | 11, 12 | PS500014SSBR | 2 |
| PE060093 | 2 | PS500014VB | 2 |
| PE070147 | 11, 12 | PS500014VBBR | 2 |
| PE070634 | 11, 12 | PS500014WH | 2 |
| PE070733 | 8 | PS500014WHBR | 2 |
| PE070734 | 8 | PS500018AL | 2 |
| PE070738 | 8 | PS500018ALBR | 2 |
| PE070739 | 7 | PS500018BK | 2 |
| PE070742 | 9 | PS500018BKBR | 2 |
| PE070743 | 7 | PS500018BT | 2 |
| PE070754 | 7 | PS500018BTBR | 2 |
| PJ010047 | 4 | PS500018BU | 2 |
| PJ010048 | 3 | PS500018BUBR | 2 |
| PJ010049 | 10 | PS500018CB | 2 |
| PJ030033 | 1 | PS500018CBBR | 2 |
| PJ030035 | 1 | PS500018EP | 2 |
| PJ030043 | 1 | PS500018EPBR | 2 |
| PM010014 | 10 | PS500018FG | 2 |
| PS500014AL | 2 | PS500018FGBR | 2 |
| PS500014ALBR | 2 | PS500018GG | 2 |
| PS500014BK | 2 | PS500018GGBR | 2 |
| PS500014BKBR | 2 | PS500018LE | 2 |
| PS500014BT | 2 | PS500018LEBR | 2 |
| PS500014BTBR | 2 | PS500018MJ | 2 |
| PS500014BU | 2 | PS500018MJBR | 2 |
| PS500014BUBR | 2 | PS500018SG | 2 |
| PS500014CB | 2 | PS500018SGBR | 2 |
| PS500014CBBR | 2 | PS500018SS | 2 |
| PS500014EP | 2 | PS500018SSBR | 2 |
| PS500014EPBR | 2 | PS500018VB | 2 |
| PS500014FG | 2 | PS500018VBBR | 2 |
| PS500014FGBR | 2 | PS500018WH | 2 |
| PS500014GG | 2 | PS500018WHBR | 2 |
| PS500014GGBR | 2 | | |
| PS500014LE | 2 | | |
| PS500014LEBR | 2 | | |