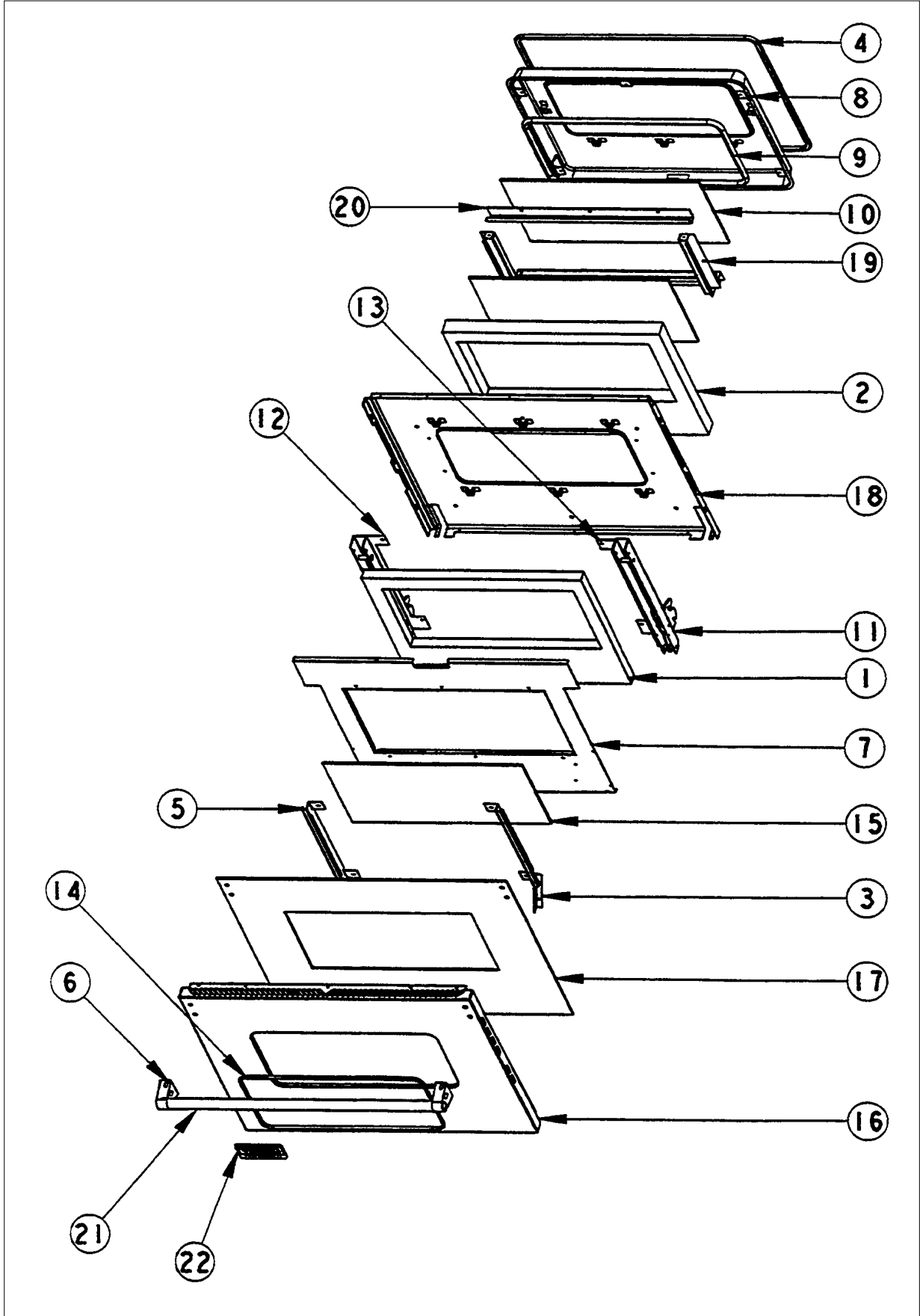


**VESO107C**

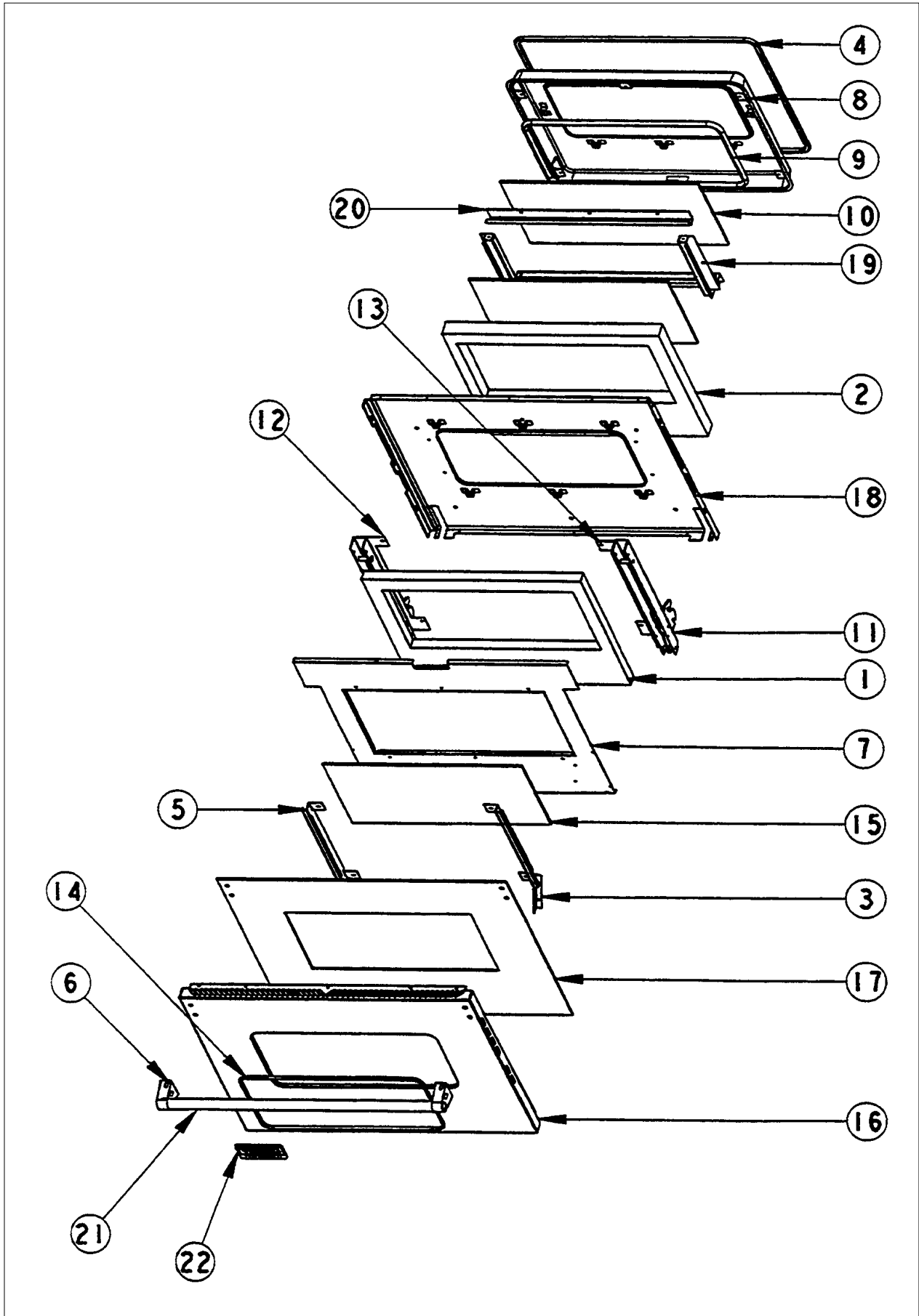
DOOR ASSY .....	1
FLOW CHART NEW BOARD BAKE .....	2
FLOW CHART SELF CLEAN .....	3
OVEN ASSY .....	4
TOP ASSY .....	5
Appendix A:Pages Index .....	A
Appendix B:Parts Index .....	B



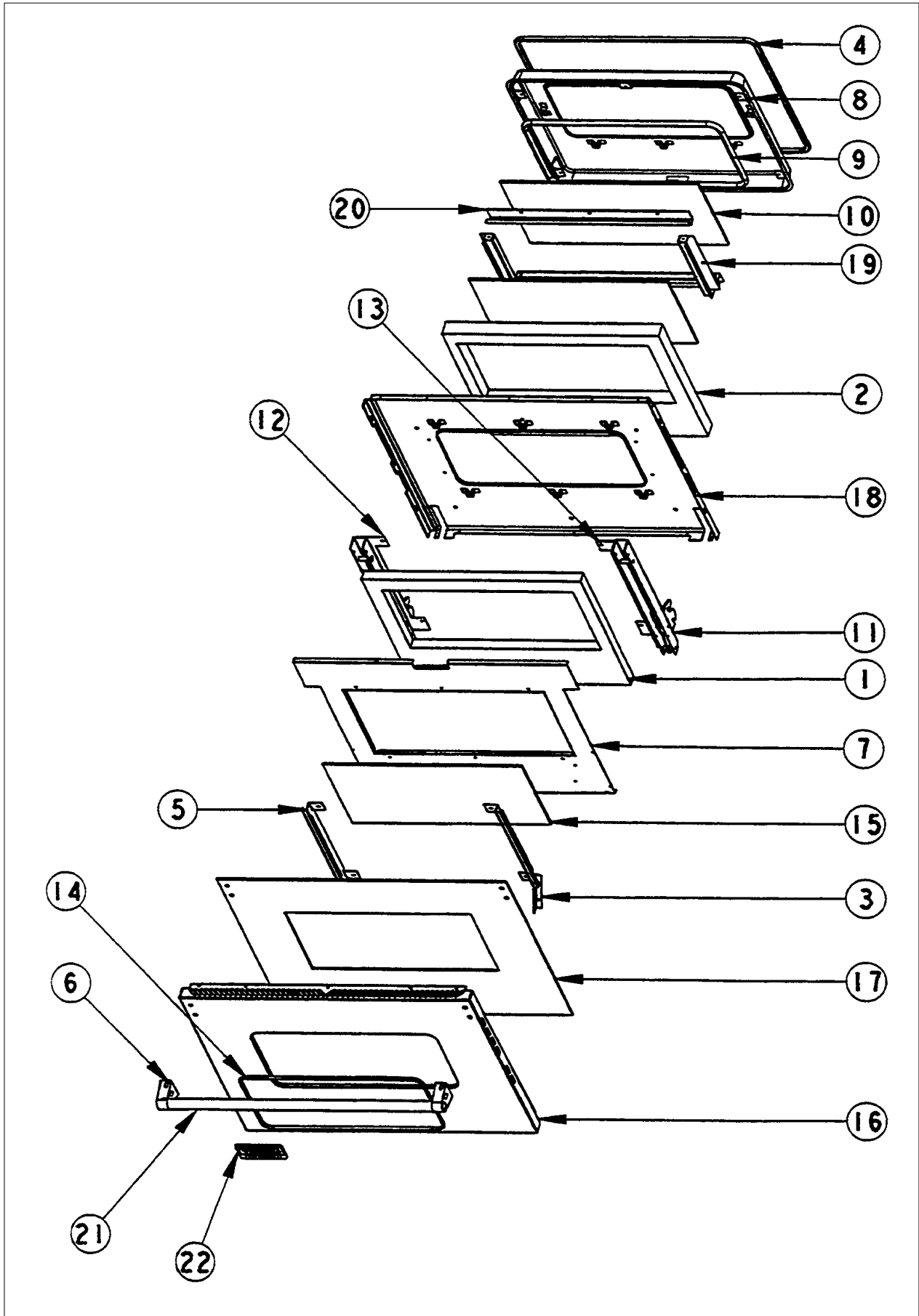
DOOR ASSY



Item	Part No.	Name	Qty	Uom	NOTES
NI	G3202937AL	DOOR ASSY *AL* (VESO/MEDO)	1	EA	NO LONGER AVAILABLE, Not available online / Call for pricing and availability
Not Shown	G3202937ALBR	DOOR ASSY *AL**BR* (VESO/MEDO)	1	EA	NO LONGER AVAILABLE, Not available online / Call for pricing and availability
Not Shown	G3202937BK	DOOR ASSY *BK* (VESO/MEDO)	1	EA	NO LONGER AVAILABLE, Not available online / Call for pricing and availability
Not Shown	G3202937BKBR	DOOR ASSY *BK**BR* (VESO/MEDO)	1	EA	NO LONGER AVAILABLE, Not available online / Call for pricing and availability
Not Shown	G3202937BT	DOOR ASSY *BT* (VESO/MEDO)	1	EA	NO LONGER AVAILABLE, Not available online / Call for pricing and availability
Not Shown	G3202937BTBR	DOOR ASSY *BT**BR* (VESO/MEDO)	1	EA	NO LONGER AVAILABLE, Not available online / Call for pricing and availability
Not Shown	G3202937BU	DOOR ASSY *BU* (VESO/MEDO)	1	EA	NO LONGER AVAILABLE
Not Shown	G3202937BUBR	DOOR ASSY *BU**BR* (VESO/MEDO)	1	EA	NO LONGER AVAILABLE, Not available online / Call for pricing and availability
Not Shown	G3202937CB	DOOR ASSY *CB* (VESO/MEDO)	1	EA	NO LONGER AVAILABLE
Not Shown	G3202937CBBR	DOOR ASSY *CB**BR* (VESO/MEDO)	1	EA	NO LONGER AVAILABLE, Not available online / Call for pricing and availability
Not Shown	G3202937EP	DOOR ASSY *EP* (VESO/MEDO)	1	EA	NO LONGER AVAILABLE, Not available online / Call for pricing and availability
Not Shown	G3202937EPBR	DOOR ASSY *EP**BR* (VESO/MEDO)	1	EA	NO LONGER AVAILABLE, Not available online / Call for pricing and availability



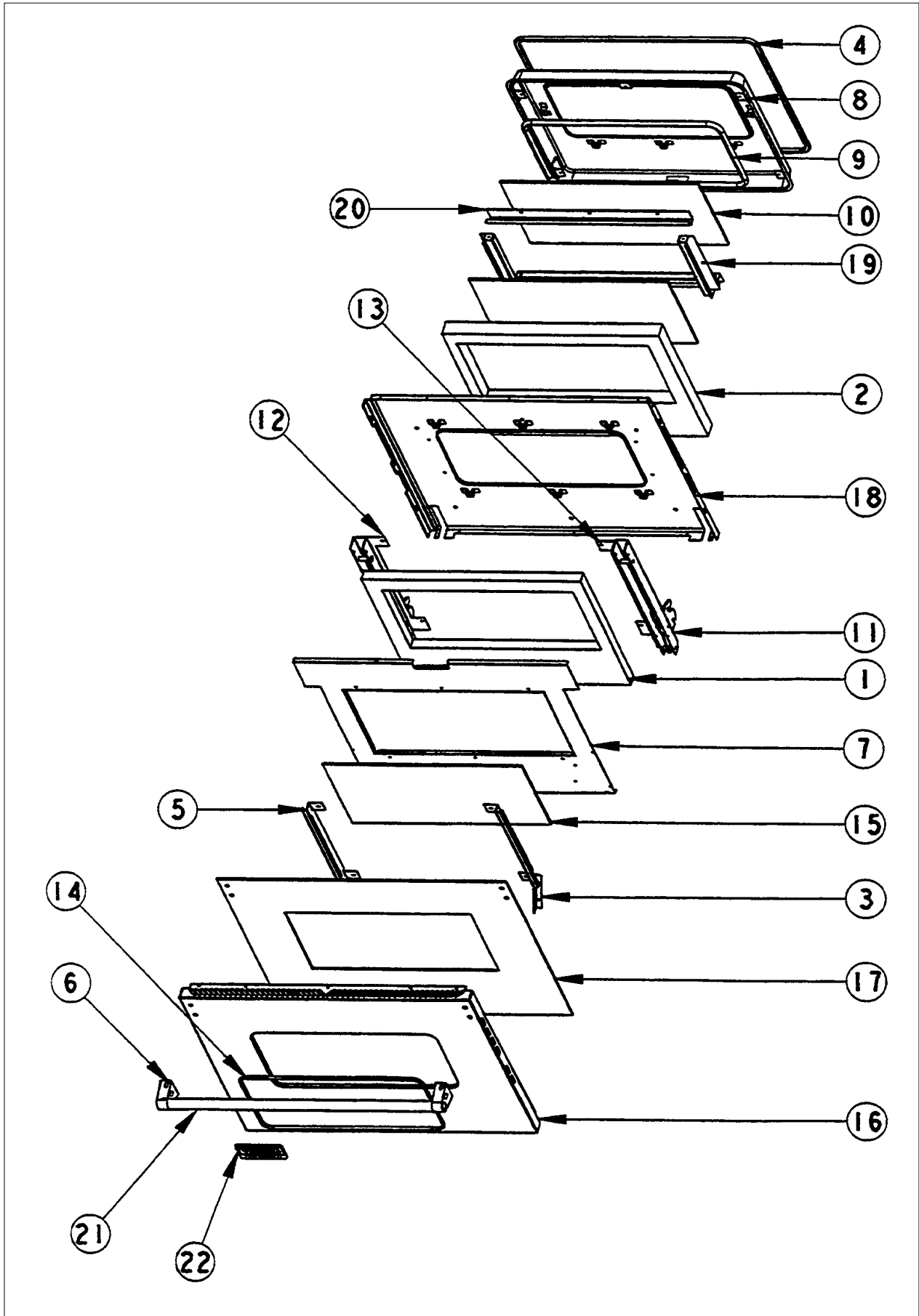
Item	Part No.	Name	Qty	Uom	NOTES
Not Shown	G3202937FG	DOOR ASSY *FG* (VESO/VEDO)	1	EA	NO LONGER AVAILABLE, Not available online / Call for pricing and availability
Not Shown	G3202937FGBR	DOOR ASSEMBLY - FGBR	1	EA	Not available online / Call for pricing and availability
Not Shown	G3202937GG	DOOR ASSY *GG* (VESO/VEDO)	1	EA	NO LONGER AVAILABLE, Not available online / Call for pricing and availability
Not Shown	G3202937GGBR	DOOR ASSY *GG*BR* (VESO/VEDO)	1	EA	NO LONGER AVAILABLE, Not available online / Call for pricing and availability
Not Shown	G3202937LE	DOOR ASSY *LE* (VESO/VEDO)	1	EA	NO LONGER AVAILABLE, Not available online / Call for pricing and availability
Not Shown	G3202937LEBR	DOOR ASSY *LE**BR* (VESO/VEDO)	1	EA	NO LONGER AVAILABLE, Not available online / Call for pricing and availability
Not Shown	G3202937MJ	DOOR ASSY *MJ* (VESO/VEDO)	1	EA	NO LONGER AVAILABLE, Not available online / Call for pricing and availability
Not Shown	G3202937MJBR	DOOR ASSY *MJ**BR* (VESO/VEDO)	1	EA	NO LONGER AVAILABLE, Not available online / Call for pricing and availability
Not Shown	G3202937SG	DOOR ASSY *SG* (VESO/VEDO)	1	EA	NO LONGER AVAILABLE, Not available online / Call for pricing and availability
Not Shown	G3202937SGBR	DOOR ASSY *SG**BR* (VESO/VEDO)	1	EA	NO LONGER AVAILABLE, Not available online / Call for pricing and availability
Not Shown	G3202937SS	DOOR ASSY *SS* (VESO/VEDO)	1	EA	
Not Shown	G3202937SSBR	DOOR ASSY *SS**BR* (VESO/VEDO)	1	EA	NO LONGER AVAILABLE



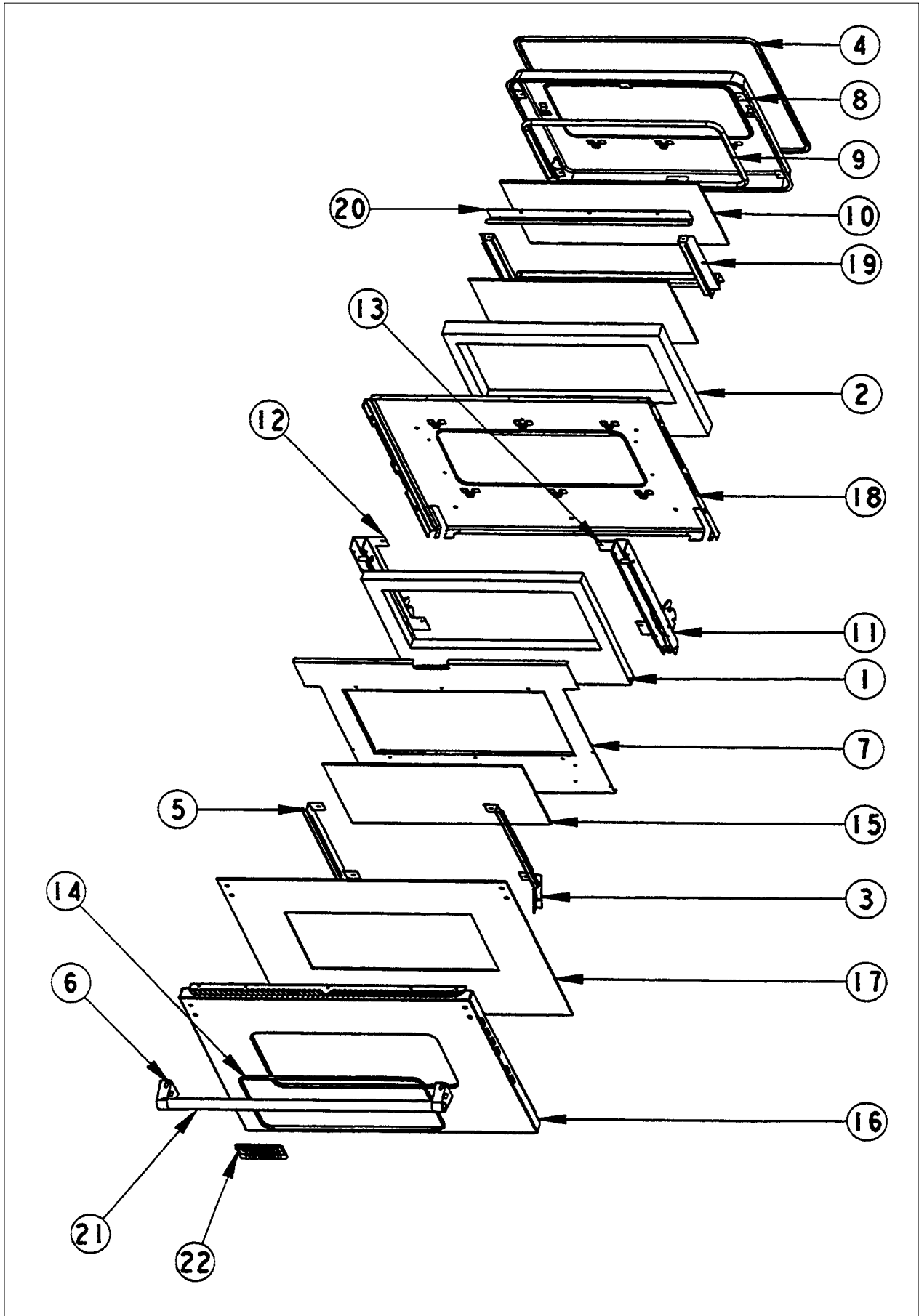




Item	Part No.	Name	Qty	Uom	NOTES
Not Shown	G3202937VB	DOOR ASSY *VB* (VESO/VEDO)	1	EA	NO LONGER AVAILABLE, Not available online / Call for pricing and availability
Not Shown	G3202937VBBR	DOOR ASSY *VB**BR(VESO/VEDO)	1	EA	NO LONGER AVAILABLE, Not available online / Call for pricing and availability
Not Shown	G3202937WH	DOOR ASSY *WH* (VESO/VEDO)	1	EA	NO LONGER AVAILABLE, Not available online / Call for pricing and availability
Not Shown	G3202937WHBR	DOOR ASSY *WH**BR* (VESO/VEDO) WH/B	1	EA	NO LONGER AVAILABLE, Not available online / Call for pricing and availability
1	PB070034	INSULATION-TRS-10 1" X 20" X 77' ROLL	1	EA	
2	PB070038	TRS-10 2" X 24" X 3' INSULATION	1	EA	
3	A2002497	DOOR GUIDE ANGLE VDSC	1	EA	
4	000623-000	DOOR GASKET(3/8"DIA.) (VDSC)	1	EA	
5	A2002367	DOOR GLASS BRKT	1	EA	
6	000268-000	HANDLE ENDCAP	1	EA	
Not Shown	PE030001PVD	END CAP DOOR HANDLE *BR	1	EA	
7	A2002930	DOOR INSUL. RET. FORMED	1	EA	
8	G50010123	VESO105/VEDO205 DR LINER SVC-KIT	1	EA	
9	000594-000	BLACK FIBERGLASS ROPE 3/8	1	EA	
10	PE060039	GLASS-HEAT TREATED (HB2) VDSC	1	EA	
11	PC020188	DOOR HINGE	1	EA	
12	A2002960	HINGE BRACKET - LH (VEDO/VESO)	1	EA	
13	A2002962	HINGE BRACKET - RH (VEDO/VESO)	1	EA	
14	PE060031	J-MOLD (LARGE WINDOW)	1	EA	
Not Shown	PE060045	J-MOLD (LARGE WINDOW) *BR*	1	EA	



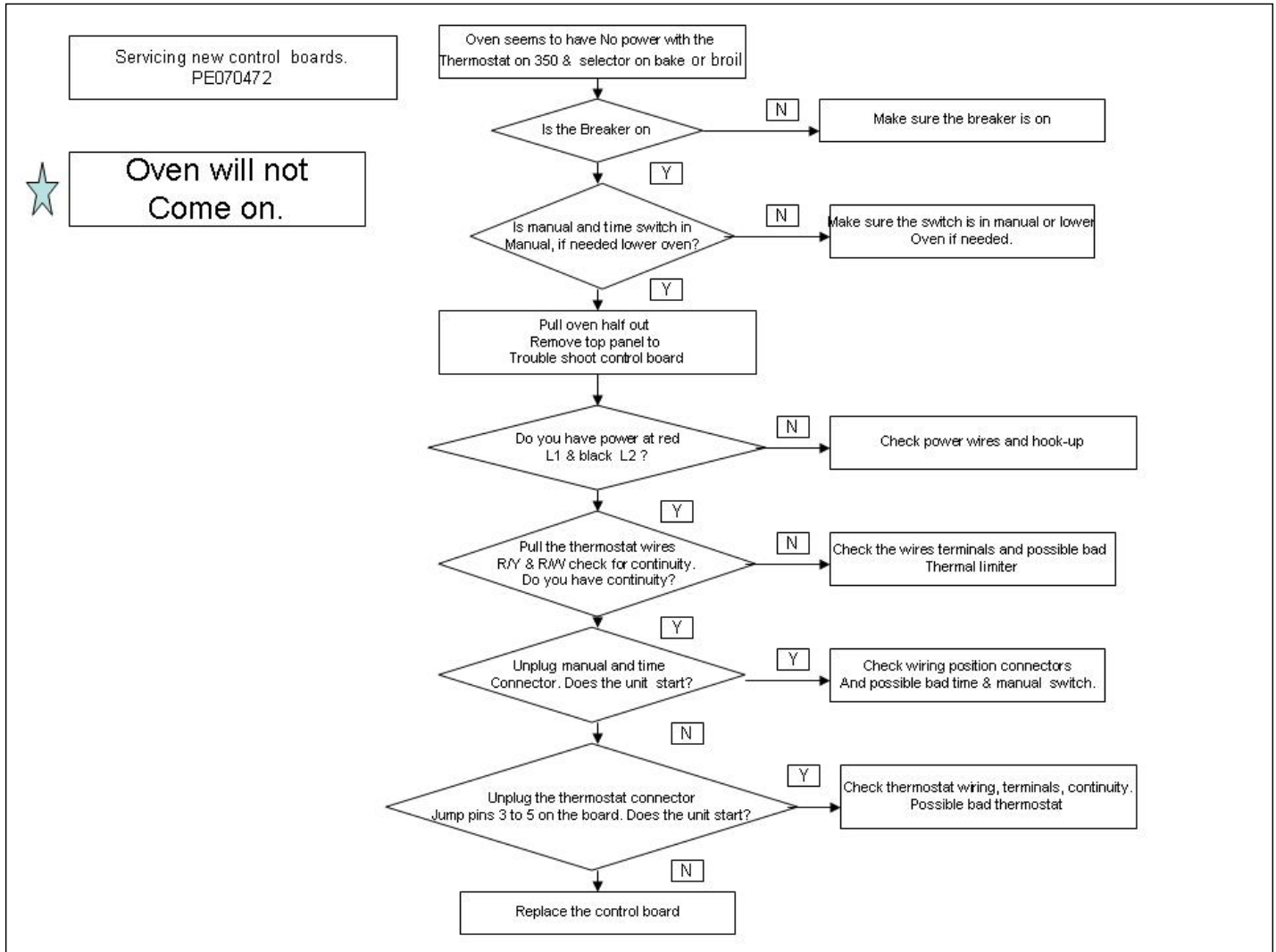
Item	Part No.	Name	Qty	Uom	NOTES
15	PE060030	OUTER DOOR GLASS	1	EA	
16	B2002931	O/S DOOR PANEL *SS* (VEDO/VESO)	1	EA	
Not Shown	C9002931AL	O/S DOOR PANEL *AL* (VEDO/VESO)	1	EA	NO LONGER AVAILABLE, Not available online / Call for pricing and availability
Not Shown	C9002931BK	O/S DOOR PANEL *BK* (VEDO/VESO)	1	EA	
Not Shown	C9002931BT	O/S DOOR PANEL *BT* (VEDO/VESO)	1	EA	NO LONGER AVAILABLE
Not Shown	C9002931BU	O/S DOOR PANEL *BU* (VEDO/VESO)	1	EA	NO LONGER AVAILABLE
Not Shown	C9002931CB	O/S DOOR PANEL *CB* (VEDO/VESO)	1	EA	NO LONGER AVAILABLE
Not Shown	C9002931EP	O/S DOOR PANEL *EP* (VEDO/VESO)	1	EA	NO LONGER AVAILABLE, Not available online / Call for pricing and availability
Not Shown	C9002931FG	O/S DOOR PANEL *FG* (VEDO/VESO)	1	EA	NO LONGER AVAILABLE, Not available online / Call for pricing and availability
Not Shown	C9002931GG	O/S DOOR PANEL *GG* (VESO/VESO)	1	EA	NO LONGER AVAILABLE
Not Shown	C9002931LE	O/S DOOR PANEL *LE* (VEDO/VESO)	1	EA	NO LONGER AVAILABLE
Not Shown	C9002931MJ	O/S DOOR PANEL *MJ* (VEDO/VESO)	1	EA	NO LONGER AVAILABLE, Not available online / Call for pricing and availability
Not Shown	C9002931SG	O/S DOOR PANEL *SG* (VEDO/VESO)	1	EA	Not available online / Call for pricing and availability
Not Shown	C9002931VB	O/S DOOR PANEL *VB* (VEDO/VESO)	1	EA	NO LONGER AVAILABLE, Not available online / Call for pricing and availability
Not Shown	C9002931WH	O/S DOOR PANEL *WH* (VEDO/VESO)	1	EA	NO LONGER AVAILABLE, Not available online / Call for pricing and availability



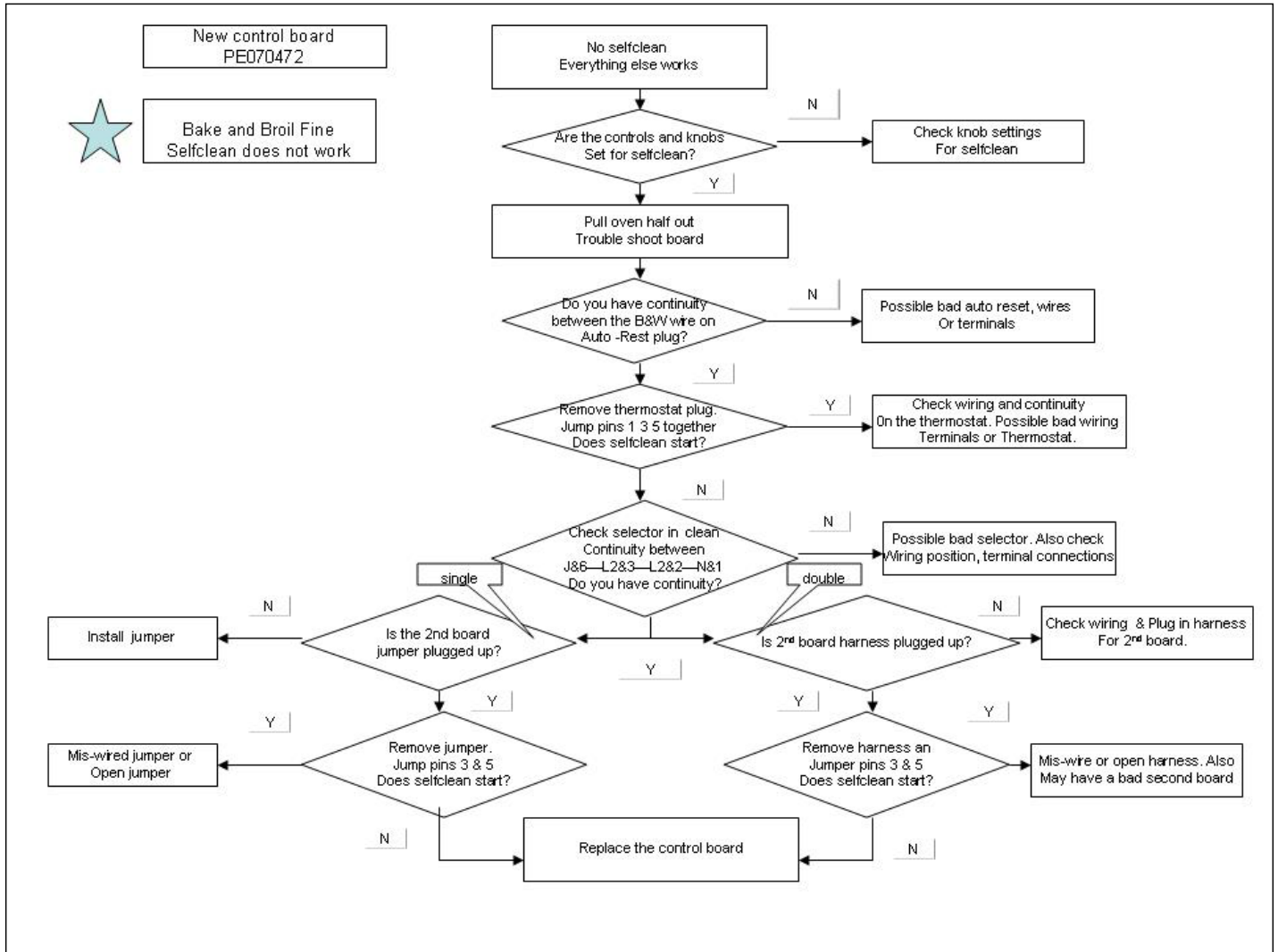


Item	Part No.	Name	Qty	Uom	NOTES
17	J1002939	OVEN DR HEAT SINK (VESO/DO)	1	EA	
18	G50010123	VESO105/VEDO205 DR LINER SVC-KIT	1	EA	
19	E9102179	WINDOW LINER-SIDE (VDSC)	1	EA	
20	E9102178	WINDOW LINER-TOP/BTM (VDSC)	1	EA	
21	PE030036	DOOR HANDLE *SS* (VESO/VEDO) 26.935	1	EA	
Not Shown	F0002944BR	DOOR HANDLE-VEDO/VESO (CUT-TO-SIZE)	1	EA	NO LONGER AVAILABLE
22	PE010016	LOGO (ALL RANGES) *BK/CHR 307997W	1	EA	
Not Shown	PE010017	LOGO (VGSO,VEDO,VGDO,VUD) *WH/CHR	1	EA	
Not Shown	PE010079	4.5" LOGO/VIKING PROF *BK/BR	1	EA	
Not Shown	PE010080	4.5" LOGO/VIKING PROF *WH/BR	1	EA	
NI	B1009167	HINGE CLIP	1	EA	
NI	PD020032	SRW-8(A)X3/8"PH.WFR HD 7/16DIA*NICL	1	EA	

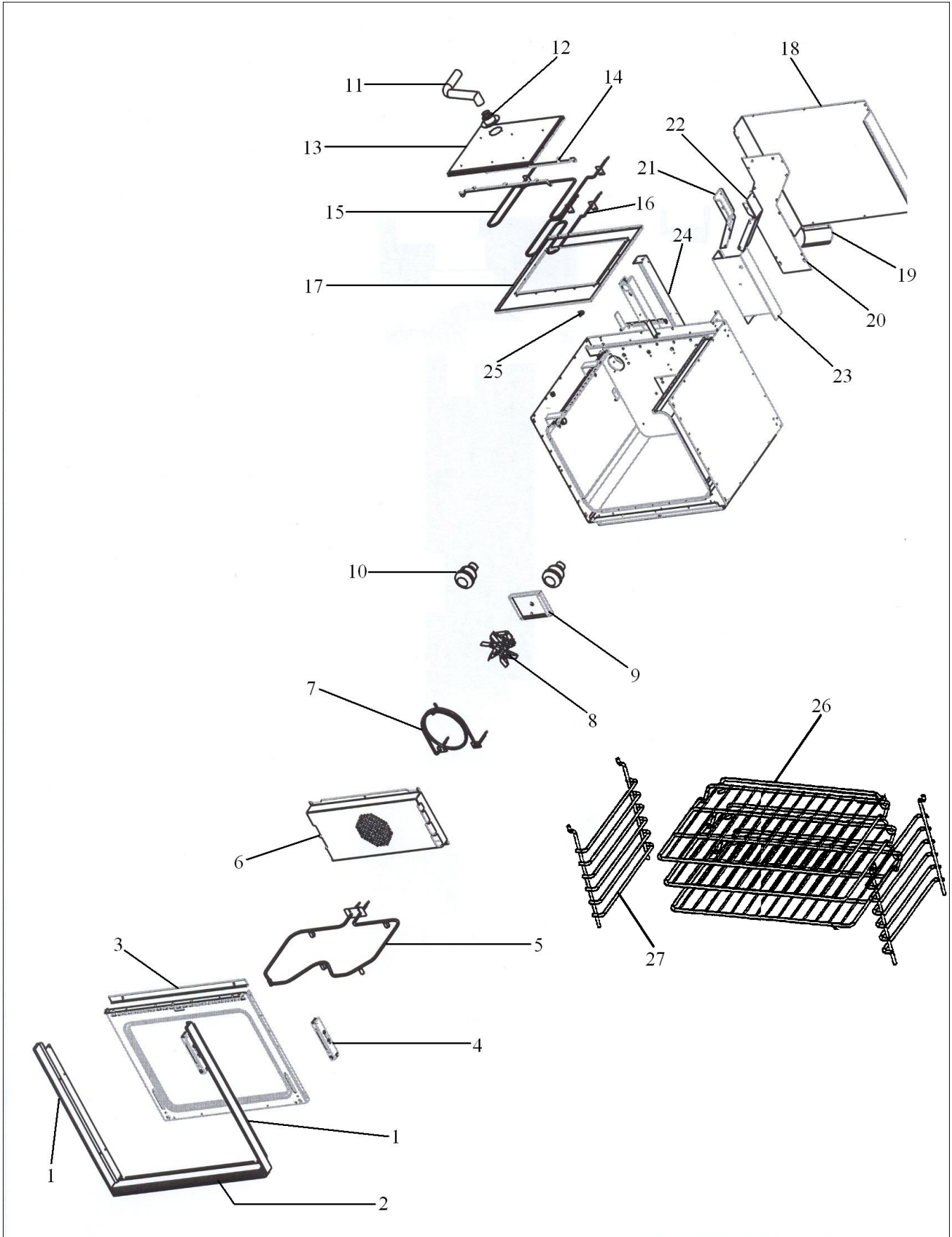
## FLOW CHART NEW BOARD BAKE



FLOW CHART SELF CLEAN

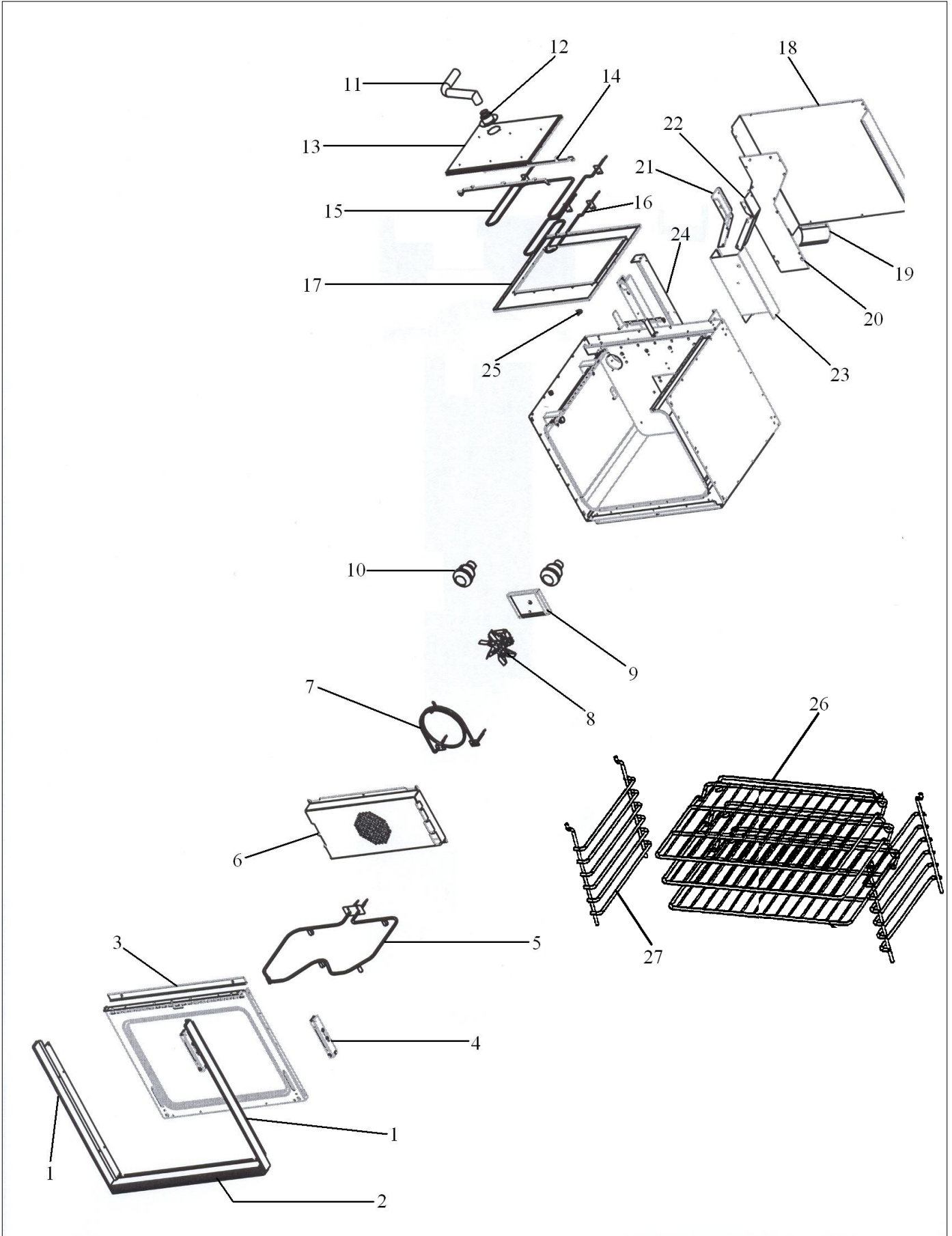


OVEN ASSY





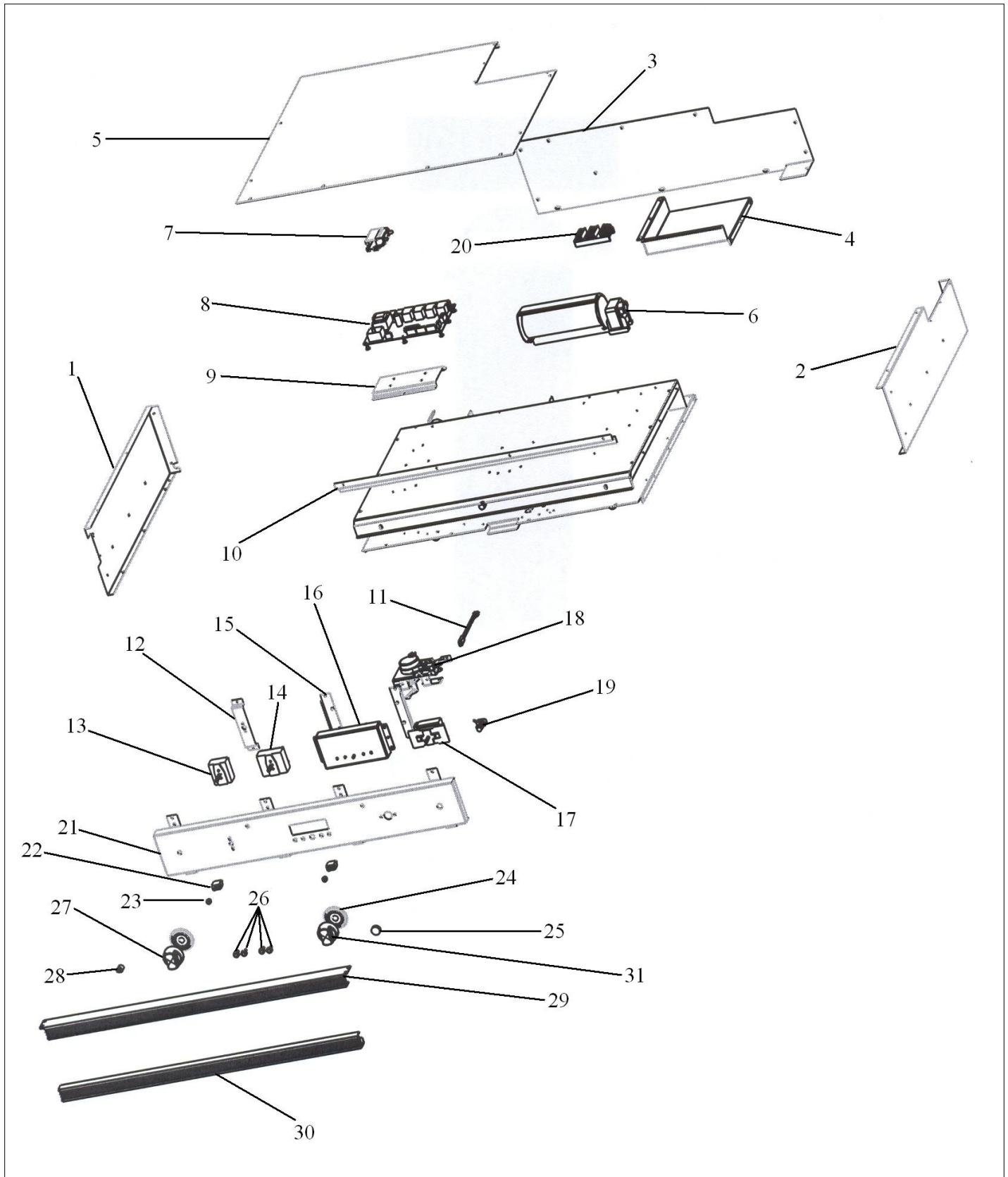
Item	Part No.	Name	Qty	Uom	NOTES
1	PE040071	SIDE TRIM-EXTRUDED (VESO105)	1	EA	
2	PE040074	BTM TRIM-EXTRUDED (VESO105/VEDO2	1	EA	
3	H9107881	30" UPPER FRONT FRAME	1	EA	Not available online / Call for pricing and availability
4	PC020016	HINGE RECEIVER (VEDO/VEDO)	1	EA	
5	PJ010004	BAKE ELEMENT (VDSC) 240V	1	EA	
6	E9102170	CONVECTION FAN COVER	1	EA	
7	PJ010003	CONVECTION ELEMENT (VDSC) 240V	1	EA	
8	PE050005	CONVECTION FAN ASSY	1	EA	
9	A2002595	CONVECTION FAN BOX (VDSC)	1	EA	
10	031449-000	LAMP, ASM	1	EA	
11	PB020117	DESIGNER OVEN VENT	1	EA	NO LONGER AVAILABLE
12	PM010014	SMOKE ELIMINATOR (VDSC)	1	EA	
13	B2002167	BROILER TOP (VDSC)	1	EA	NO LONGER AVAILABLE
14	B2002185	BROIL ELEMENT BRKT (VDSC)	1	EA	
15	PJ010002	BROIL ELEMENT(MAXI)-SIDE (VDSC)240V	1	EA	
16	PJ010001	BROIL ELEMENT 240V	1	EA	
17	E9102153	OVEN TOP (VDSC)	1	EA	NO LONGER AVAILABLE
18	A2008581	30" UPPER OUTER BACK	1	EA	NO LONGER AVAILABLE, Not available online / Call for pricing and availability
19	A2006182	AIR SCOOP	1	EA	NO LONGER AVAILABLE
20	A1006190	SINGLE OVEN COVER PLATE	1	EA	NO LONGER AVAILABLE, Not available online / Call for pricing and availability
21	A2006324	VENT SIDE LH	1	EA	NO LONGER AVAILABLE, Not available online / Call for pricing and availability





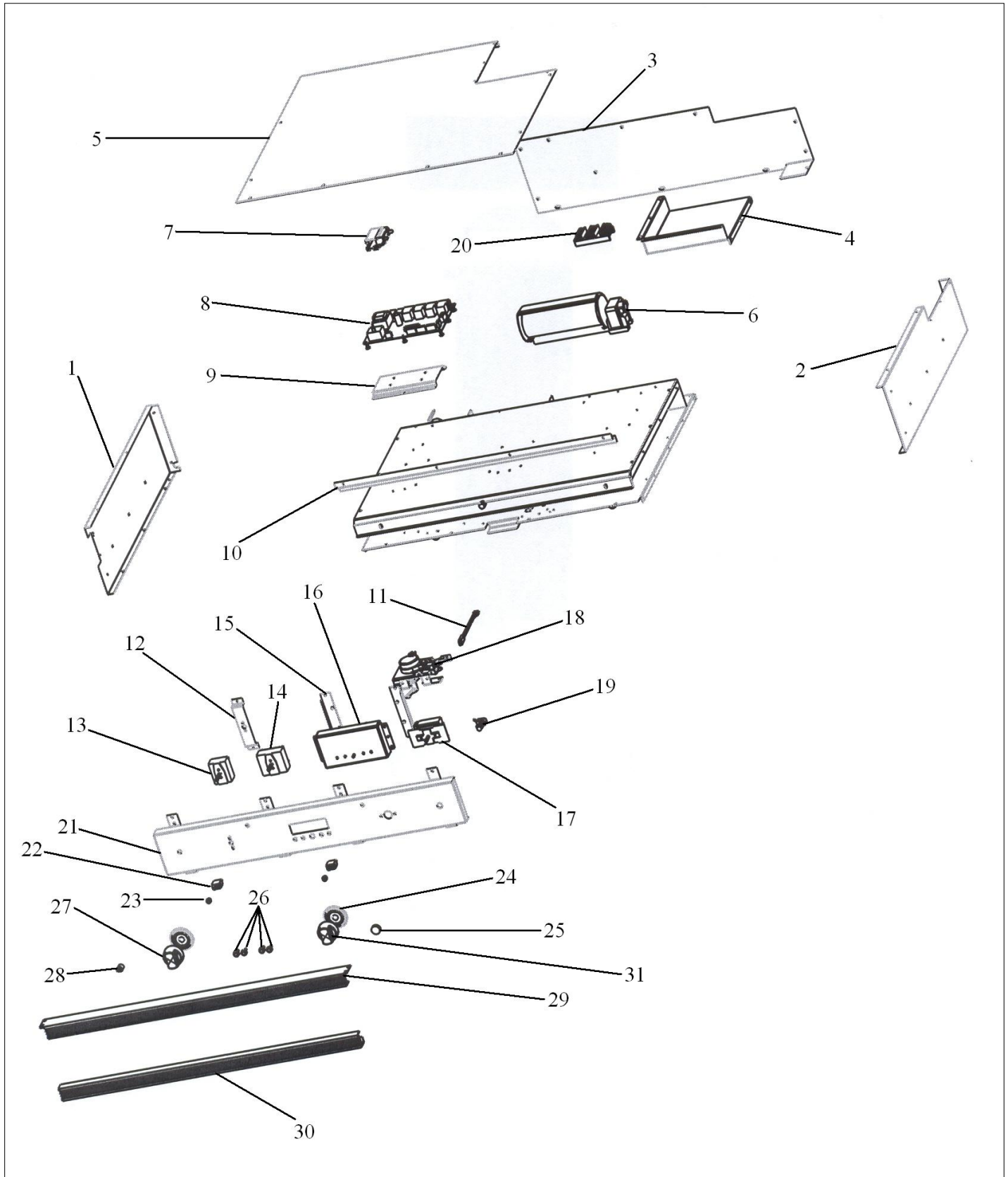
Item	Part No.	Name	Qty	Uom	NOTES
22	A2006323	VENT SIDE RH	1	EA	NO LONGER AVAILABLE, Not available online / Call for pricing and availability
23	A2006326	LOWER AIR VENT SINGLE	1	EA	NO LONGER AVAILABLE, Not available online / Call for pricing and availability
24	A2006189	SINGLE OVEN FLUE COVER	1	EA	NO LONGER AVAILABLE, Not available online / Call for pricing and availability
25	PJ030002	AUTO RESET (SELF-CLEAN) VDSC	1	EA	
26	PB060044	OVEN RK VDSC30/48RH REPL PB060019	1	EA	
27	PB060030	RACK SUPT REPL PB060010	1	EA	

TOP ASSY





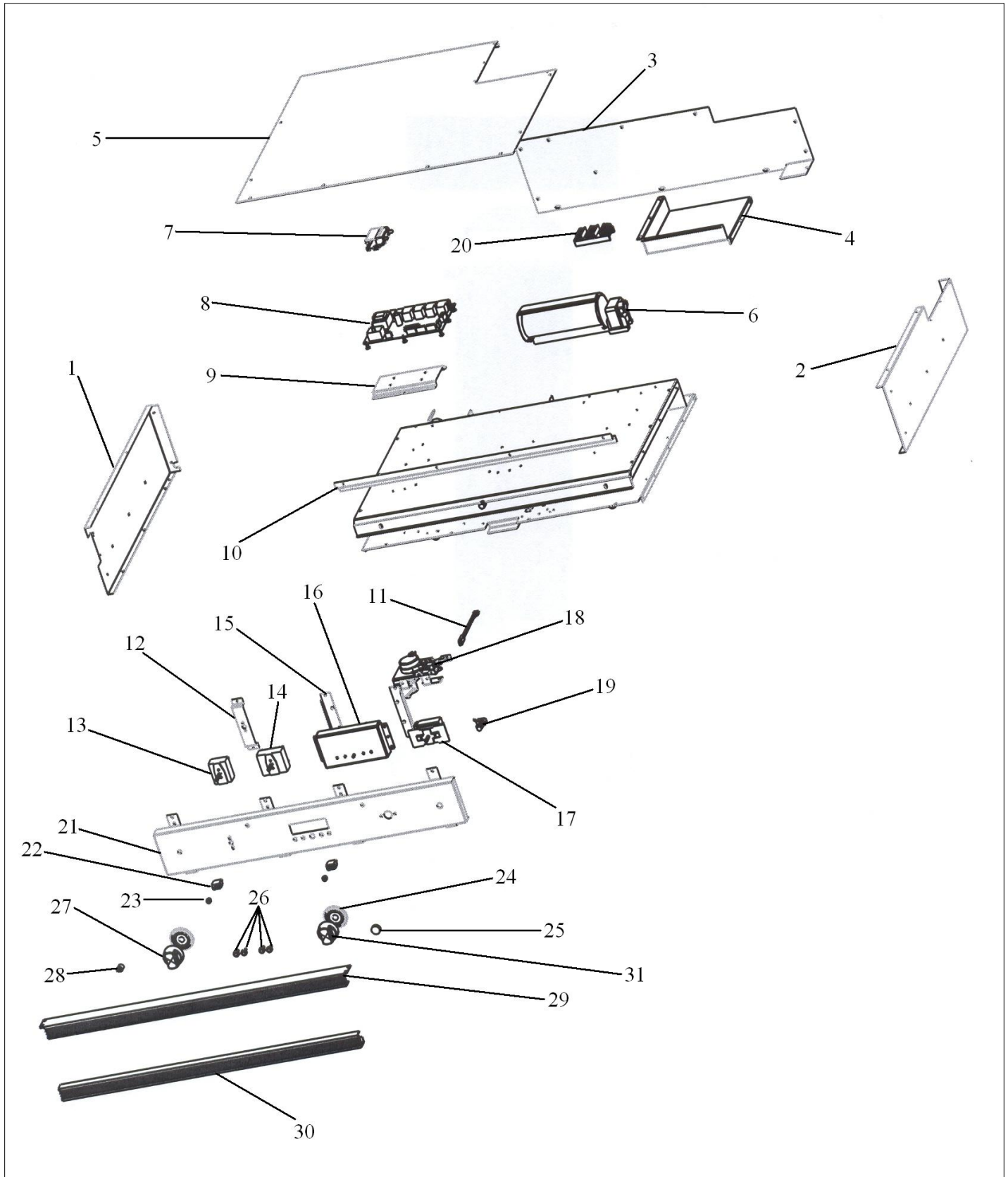
Item	Part No.	Name	Qty	Uom	NOTES
1	A2006123	CABINET SIDE LH	1	EA	
2	A2007906	30" SINGLE CAB. SIDE RH	1	EA	NO LONGER AVAILABLE, Not available online / Call for pricing and availability
3	A2008557	30" TOP REAR COVER	1	EA	NO LONGER AVAILABLE
4	A2008543	TOP CHANNEL	1	EA	NO LONGER AVAILABLE, Not available online / Call for pricing and availability
5	A2008580	30" CABINET TOP	1	EA	NO LONGER AVAILABLE, Not available online / Call for pricing and availability
6	PE050087	BLOWER ASSEMBLY - DESIGNER SERIES	1	EA	
7	PJ030002	AUTO RESET (SELF-CLEAN) VDSC	1	EA	
8	PE070786	ELECTRONIC CONTROL BOARD	1	EA	
9	A2009884	AUTO RESET BRACKET	1	EA	NO LONGER AVAILABLE, Not available online / Call for pricing and availability
10	E9108579	TOP VENT COVER 30"	1	EA	
11	PE050059	HI-LIMIT SWITCH	1	EA	
12	A2008526	SELECTOR BRACKET	1	EA	NO LONGER AVAILABLE
13	PJ030011	SWITCH (2-POSITION) VESO105	1	EA	
14	PJ030001	SELECTOR SWITCH (8-POSITION) VDSC	1	EA	
15	A2008527	CLOCK BRACKET	1	EA	
16	PE050049	CLOCK/TIMER(ROBERTSHAW# 100-00550-01)	1	EA	NO LONGER AVAILABLE
Not Shown	NOTE	(Before 02/27/06)		EA	
Not Shown	PE050213	PRO 120V DIGITAL CLOCK	1	EA	
Not Shown	NOTE	(After 02/27/06)		EA	





Item	Part No.	Name	Qty	Uom	NOTES
17	PS500033	SUB TO PS500033 - SELF CLEAN THERMOSTAT	1	EA	
18	PE050112	DOOR LATCH	1	EA	
19	PE050019	OVEN LIGHT SWITCH (VGSO166) 90-DEG.	1	EA	
20	PE070147	TERMINAL BLOCK (VDSC)	1	EA	
21	B92010567	30" SINGLE CONTROL PANEL	1	EA	
Not Shown	NOTE	(Before 02/27/06)		EA	
Not Shown	C92010567BK	30" SINGLE CONTROL PANEL *BK*	1	EA	NO LONGER AVAILABLE, Not available online / Call for pricing and availability
Not Shown	NOTE	(Before 02/27/06)		EA	
Not Shown	C92010567WH	30" SINGLE CONTROL PANEL *WH*	1	EA	NO LONGER AVAILABLE, Not available online / Call for pricing and availability
Not Shown	NOTE	(Before 02/27/06)		EA	
Not Shown	B92014943	30" SINGLE CONTROL PANEL	1	EA	
Not Shown	NOTE	(After 02/27/06)		EA	
Not Shown	C92014943BK	30" SINGLE CONTROL PANEL *BK*	1	EA	NO LONGER AVAILABLE, Not available online / Call for pricing and availability
Not Shown	NOTE	(After 02/27/06)		EA	
Not Shown	C92014943WH	30" SINGLE CONTROL PANEL *WH*	1	EA	NO LONGER AVAILABLE, Not available online / Call for pricing and availability
Not Shown	NOTE	(After 02/27/06)		EA	
22	PE050024	OVEN IND. LIGHT (LIGHT HOUSING)	1	EA	







Item	Part No.	Name	Qty	Uom	NOTES
Comments for Part Num. PE050024					
haarnink@vikingrange.com on Jan 14, 2019					
please note that the indicator light is now part 043135-000 but needs the Jumper harness 051443-000. and second option there are units in the field with a 230V indicator light part number 036566-000.					
please check this for all "E" module ranges/Tops					
23	PE050023	OVEN IND. LIGHT (LENS & BEZEL)	1	EA	
24	PB010152	Bezel - SS	1	EA	
Not Shown	PB010153	Bezel - BR	1	EA	
25	PB010163	OVEN LIGHT SWITCH KNOB *BK* (VESO/D	1	EA	
Not Shown	PB010164	OVEN LIGHT SWITCH KNOB *WH* (VESO/D	1	EA	
26	PB010248	CLOCK BUTTON	1	EA	
Not Shown	PB010249	PUSH BUTTON WHITE	1	EA	NO LONGER AVAILABLE, Not available online / Call for pricing and availability
27	PB010148	SELECTOR KNOB-*BK* (30"DOUBLE OVEN	1	EA	
Not Shown	PB010149	SELECTOR KNOB-*WH* (30" B-IN OVEN)	1	EA	
28	PB010165	TIME MANUAL KNOB *BK* (VESO/VEDO)	1	EA	
Not Shown	PB010166	TIME MANUAL KNOB *WH* (VESO/VEDO)	1	EA	
29	PE040073	TOP TRIM-EXTRUDED (VESO105/VEDO205)	1	EA	
30	PE040209	LOWER CONTROL PANEL EXTRUSION	1	EA	
31	PB010150	T/STAT KNOB-*BK* (30" B-IN OVEN)	1	EA	
Not Shown	PB010151	T/STAT KNOB-*WH* (30" B-IN OVEN)	1	EA	



Appendix A:Pages Index

DOOR ASSY ..... 1  
FLOW CHART NEW BOARD BAKE ..... 2  
FLOW CHART SELF CLEAN ..... 3  
OVEN ASSY ..... 4  
TOP ASSY ..... 5



Appendix B:Parts Index

000268-000	1	C9002931MJ	1
000594-000	1	C9002931SG	1
000623-000	1	C9002931VB	1
031449-000	4	C9002931WH	1
A1006190	4	C92010567BK	5
A2002367	1	C92010567WH	5
A2002497	1	C92014943BK	5
A2002595	4	C92014943WH	5
A2002930	1	E9102153	4
A2002960	1	E9102170	4
A2002962	1	E9102178	1
A2006123	5	E9102179	1
A2006182	4	E9108579	5
A2006189	4	F0002944BR	1
A2006323	4	G3202937AL	1
A2006324	4	G3202937ALBR	1
A2006326	4	G3202937BK	1
A2007906	5	G3202937BKBR	1
A2008526	5	G3202937BT	1
A2008527	5	G3202937BTBR	1
A2008543	5	G3202937BU	1
A2008557	5	G3202937BUBR	1
A2008580	5	G3202937CB	1
A2008581	4	G3202937CBBR	1
A2009884	5	G3202937EP	1
B1009167	1	G3202937EPBR	1
B2002167	4	G3202937FG	1
B2002185	4	G3202937FGBR	1
B2002931	1	G3202937GG	1
B92010567	5	G3202937GGBR	1
B92014943	5	G3202937LE	1
C9002931AL	1	G3202937LEBR	1
C9002931BK	1	G3202937MJ	1
C9002931BT	1	G3202937MJBR	1
C9002931BU	1	G3202937SG	1
C9002931CB	1	G3202937SGBR	1
C9002931EP	1	G3202937SS	1
C9002931FG	1	G3202937SSBR	1
C9002931GG	1	G3202937VB	1
C9002931LE	1	G3202937VBBR	1
		G3202937WH	1



G3202937WHBR	1	PE050112	5
G50010123	1, 1	PE050213	5
H9107881	4	PE060030	1
J1002939	1	PE060031	1
PB010148	5	PE060039	1
PB010149	5	PE060045	1
PB010150	5	PE070147	5
PB010151	5	PE070786	5
PB010152	5	PJ010001	4
PB010153	5	PJ010002	4
PB010163	5	PJ010003	4
PB010164	5	PJ010004	4
PB010165	5	PJ030001	5
PB010166	5	PJ030002	4, 5
PB010248	5	PJ030011	5
PB010249	5	PM010014	4
PB020117	4	PS500033	5
PB060030	4		
PB060044	4		
PB070034	1		
PB070038	1		
PC020016	4		
PC020188	1		
PD020032	1		
PE010016	1		
PE010017	1		
PE010079	1		
PE010080	1		
PE030001PVD	1		
PE030036	1		
PE040071	4		
PE040073	5		
PE040074	4		
PE040209	5		
PE050005	4		
PE050019	5		
PE050023	5		
PE050024	5		
PE050049	5		
PE050059	5		
PE050087	5		