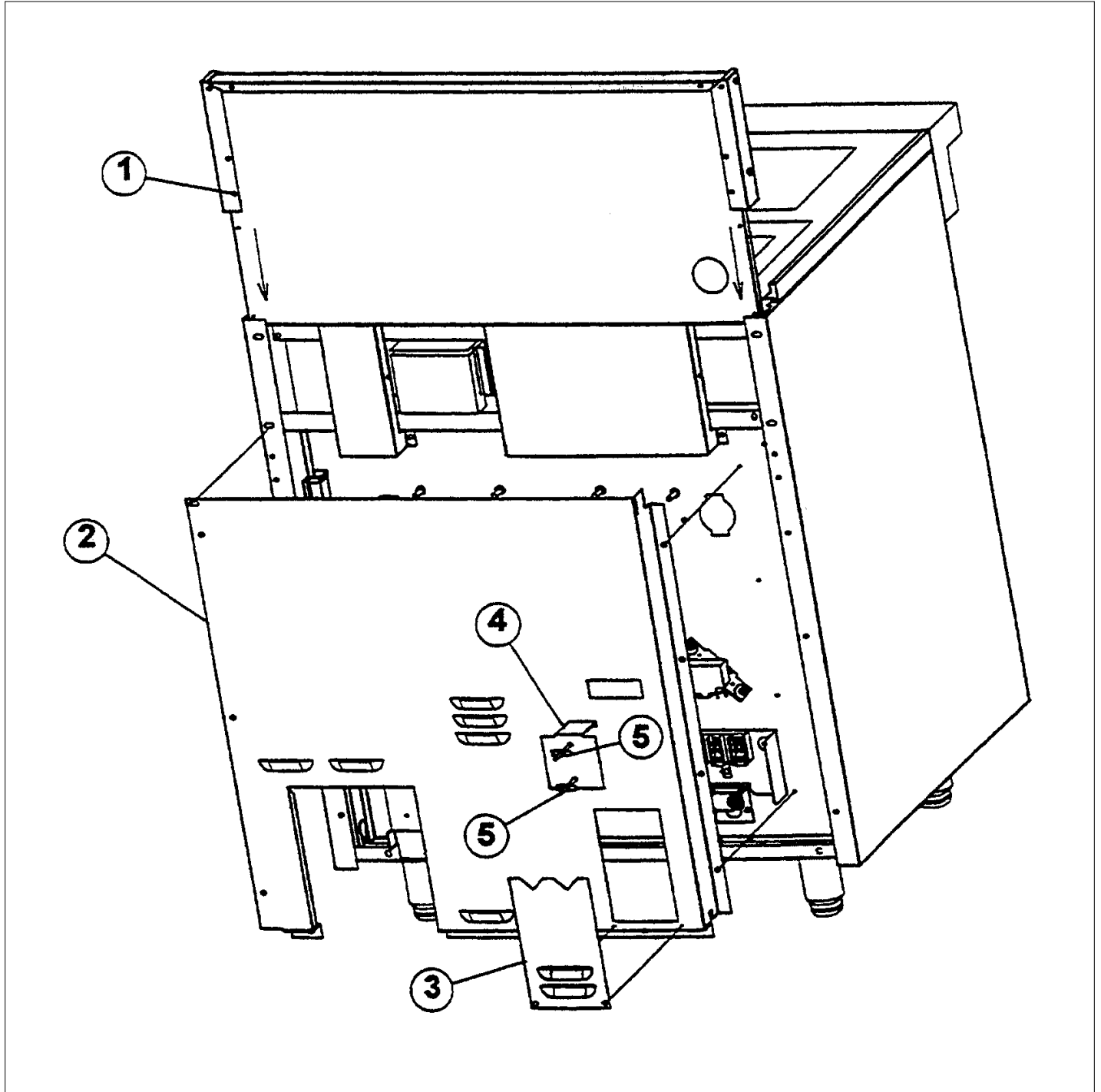


**VESC306**

BACKGUARD-BACK COVER ASSY .....	1
DRIP TRAY ASSY .....	2
EXTERIOR ASSY VIEW 1 .....	3
EXTERIOR ASSY VIEW 2 .....	4
EXTERIOR ASSY VIEW 3 .....	5
FUNCTIONAL PARTS .....	6
OVEN CAVITY (INSUL. RETNR) ASSY .....	7
OVEN CAVITY ASSY .....	8
OVEN CAVITY ASSY (TOP & BOTTOM) .....	9
OVEN DOOR ASSY .....	10
PANEL OVEN .....	11
REAR PANEL ASSEMBLY .....	12
WIRING .....	13
Appendix A:Pages Index .....	A
Appendix B:Parts Index .....	B



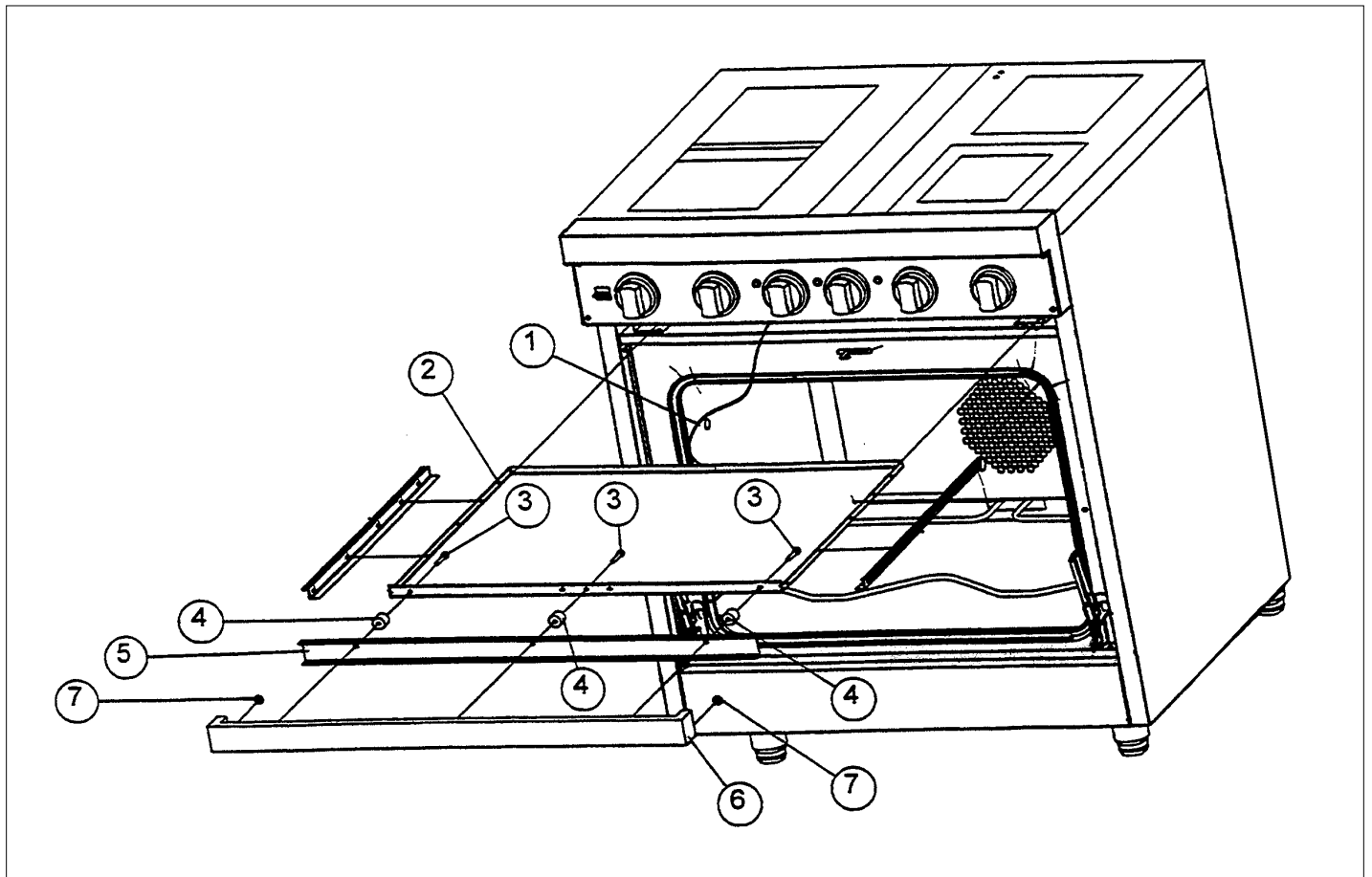
BACKGUARD-BACK COVER ASSY





Item	Part No.	Name	Qty	Uom	NOTES
1	G3202341	BACKGUARD FRONT ASSY (VGSC/SS)	1	EA	NO LONGER AVAILABLE
2	A2002453	BACK COVER (VDSC)	1	EA	NO LONGER AVAILABLE
3	A2002454	BACK, COVER ACCESS DOOR	1	EA	
4	A2002654	ANTI-TIP DEVICE (VDSC)	1	EA	
5	PD010018	TOGGLE BOLT (3/16" X 2")	1	EA	

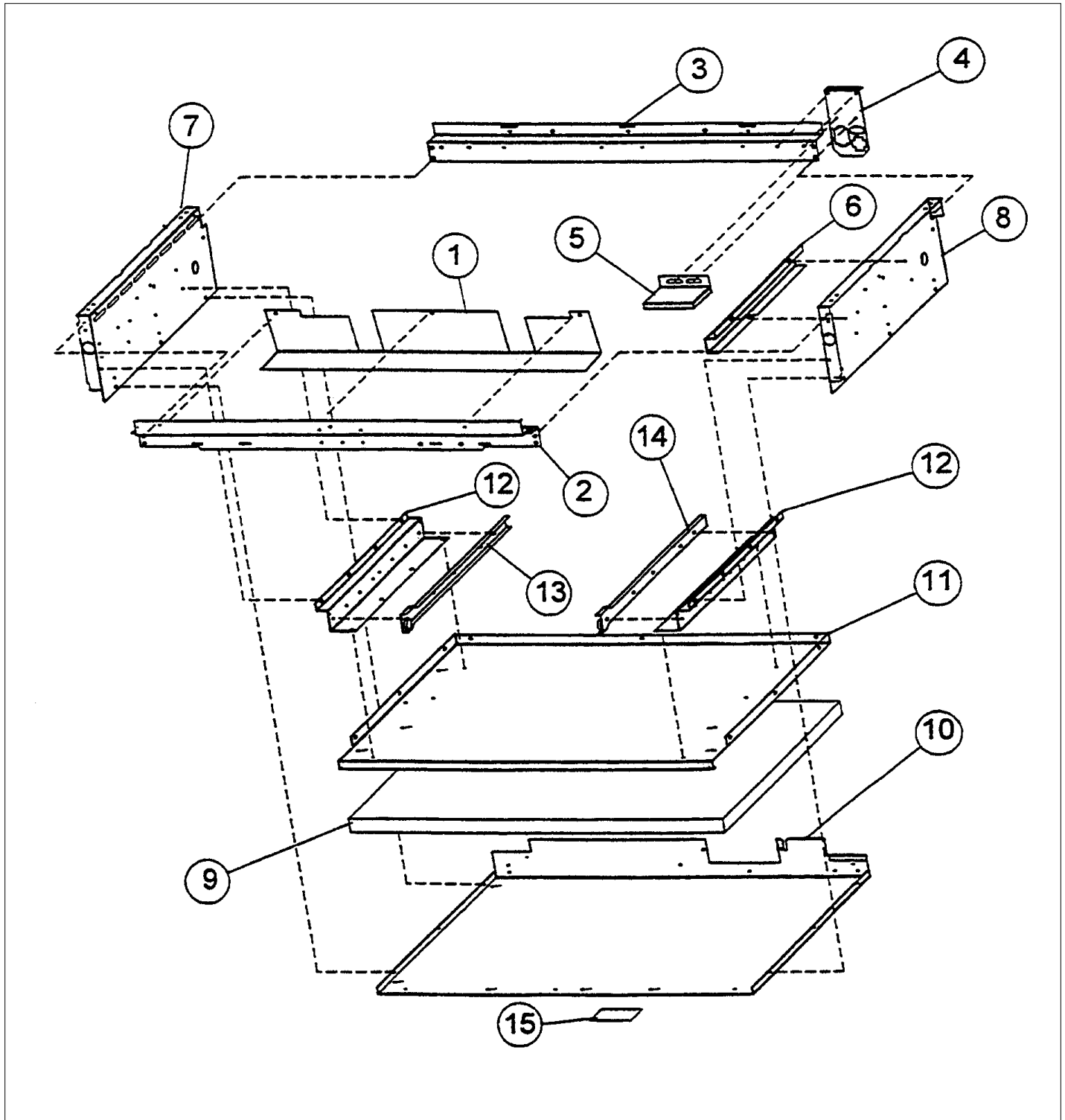
DRIP TRAY ASSY





Item	Part No.	Name	Qty	Uom	NOTES
1	G4002752	DRIP TRAY GROUND WIRE (VDSC)	1	EA	
Not Shown	NOTE	(MUST PLUG INTO WELD TAB ON REAR OF DRIP TRAY)		EA	
2	G3002599	DRIP TRAY (VDSC305)	1	EA	
3	PD020049	#10 X 1 1/4 PH. PAN HD. T(A)	1	EA	
4	PD040028	BUSHING(.194ID/.750OD/.750LONG)	1	EA	
5	B2002589	DRIP TRAY HAN BACK PLATE (VDSC30)	1	EA	NO LONGER AVAILABLE, Not available online / Call for pricing and availability
6	B3006772	VDSC307 FALSE TRAY HANDLE WELDED	1	EA	Not available online / Call for pricing and availability
6	C9306772PVD	VDSC307 FALSE TRAY HANDLE *PVD*	1	EA	NO LONGER AVAILABLE, Not available online / Call for pricing and availability
7	PD040004	GROMMET BUMPER	1	EA	
NI	A2006777	VDSC307 TRAY HANDLE BRKT. -LH	1	EA	NO LONGER AVAILABLE, Not available online / Call for pricing and availability

EXTERIOR ASSY VIEW 1

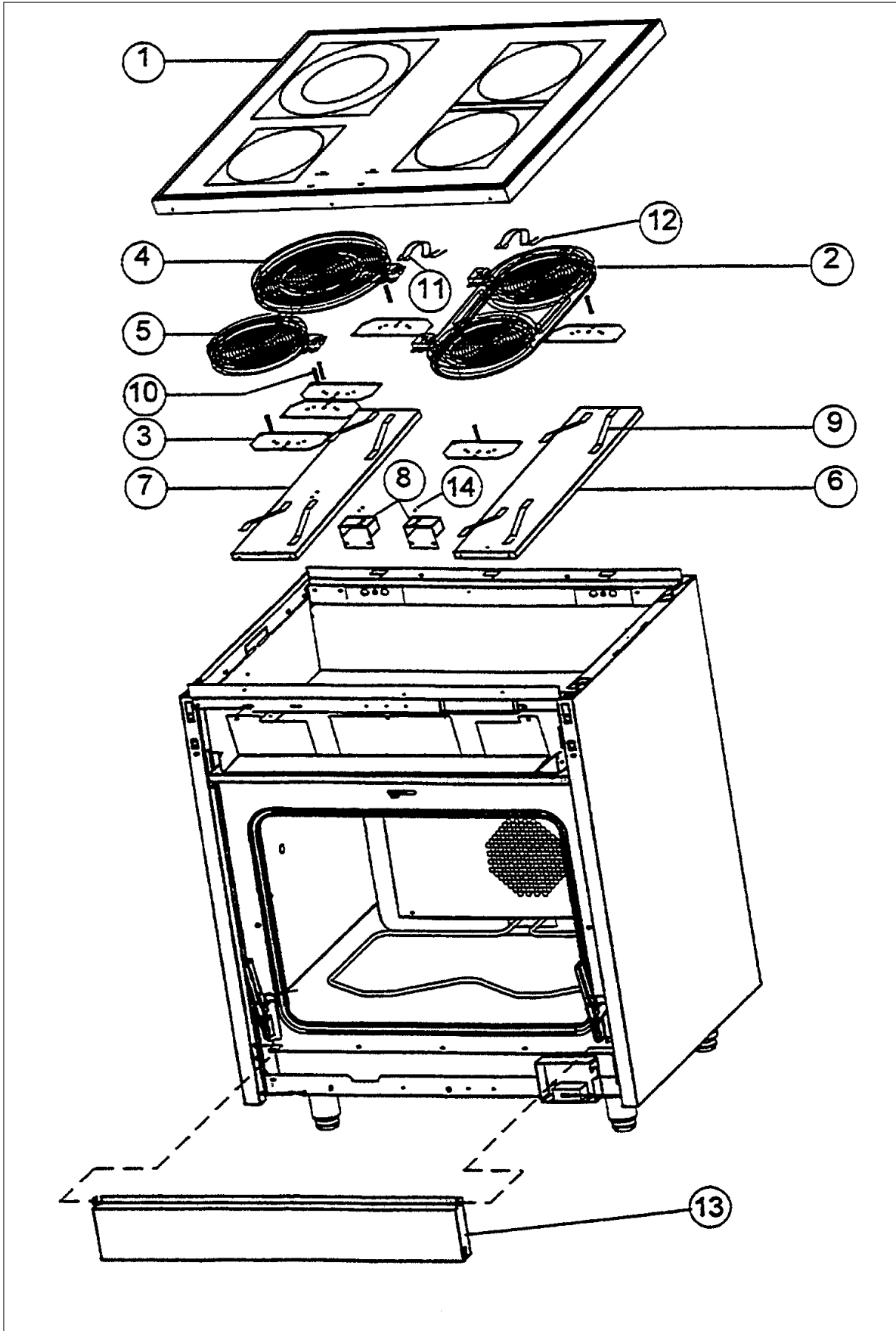




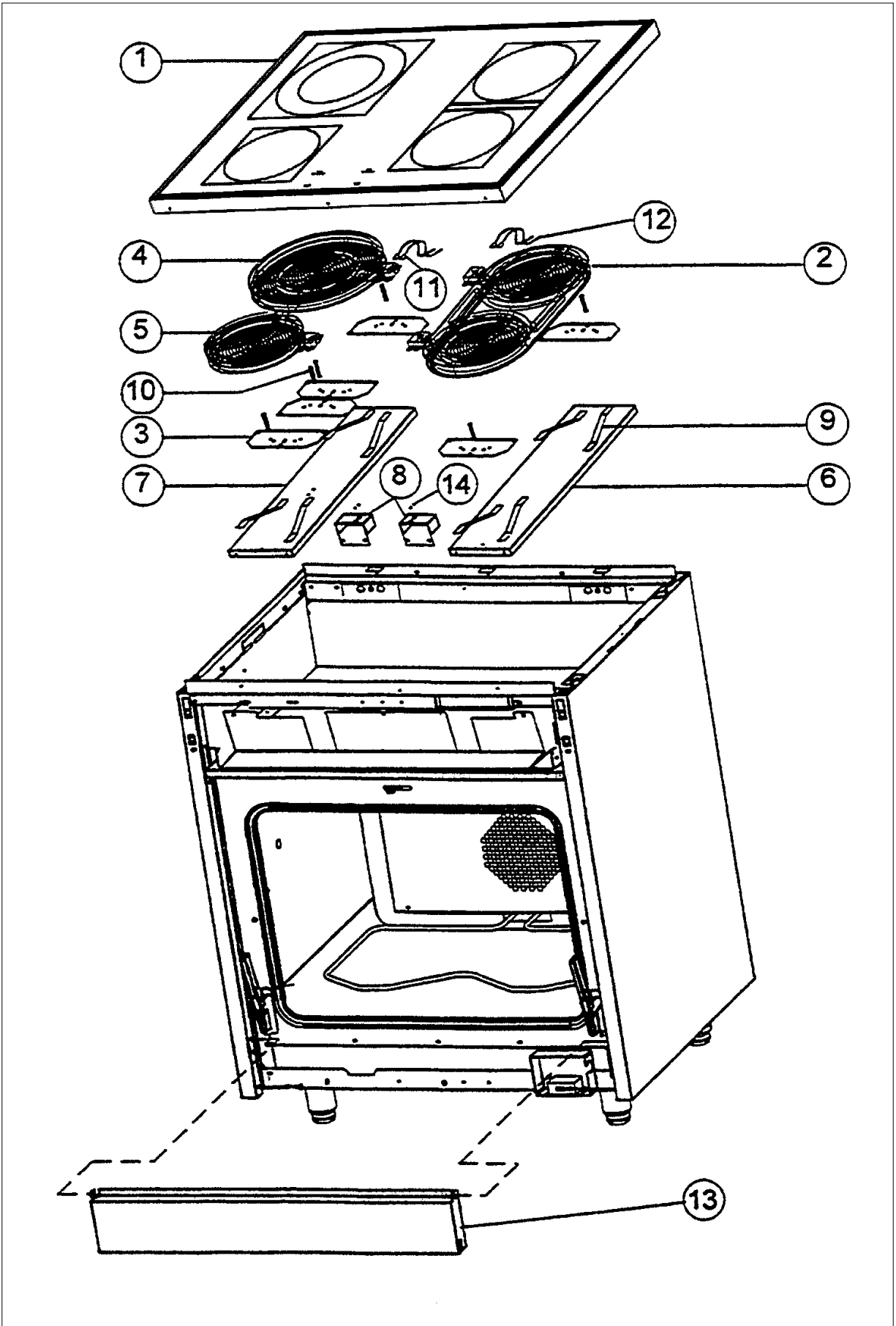


Item	Part No.	Name	Qty	Uom	NOTES
1	A2003004	CTRL PAN SHIELD (VESC305-4B)	1	EA	NO LONGER AVAILABLE, Not available online / Call for pricing and availability
2	A2003007	FRONT SUPT (VESC305-4B)	1	EA	
3	A2003008	REAR SUPT (VESC305-4B)	1	EA	NO LONGER AVAILABLE
4	A1002492	PLUG BRKT	1	EA	NO LONGER AVAILABLE, Not available online / Call for pricing and availability
5	A2000667	SHIELD - OUTLET VRTR	1	EA	NO LONGER AVAILABLE
6	A2000210	WIRE CHANNEL	1	EA	NO LONGER AVAILABLE, Not available online / Call for pricing and availability
7	A2002491	BURNER BOX SIDE LH (VDSC)	1	EA	NO LONGER AVAILABLE, Not available online / Call for pricing and availability
8	A2002490	BURNER BOX SIDE RH (VDSC)	1	EA	NO LONGER AVAILABLE
9	PB070034	INSULATION-TRS-10 1" X 20" X 77' ROLL	1	EA	
10	A2002496	BURNER BOX BTM (VDSC30)	1	EA	NO LONGER AVAILABLE, Not available online / Call for pricing and availability
11	A2001401	INSULATION PANEL	1	EA	NO LONGER AVAILABLE, Not available online / Call for pricing and availability
12	A2001160	DRIP TRAY GUIDE BRKT (VGRT)	1	EA	
13	PK000007	DRIP TRAY GUIDE - LH (VGRT)	1	EA	NO LONGER AVAILABLE
14	PK000008	Drip Tray Guide - RH	1	EA	NO LONGER AVAILABLE
15	PE020047	RATING LABEL	1	EA	

EXTERIOR ASSY VIEW 2

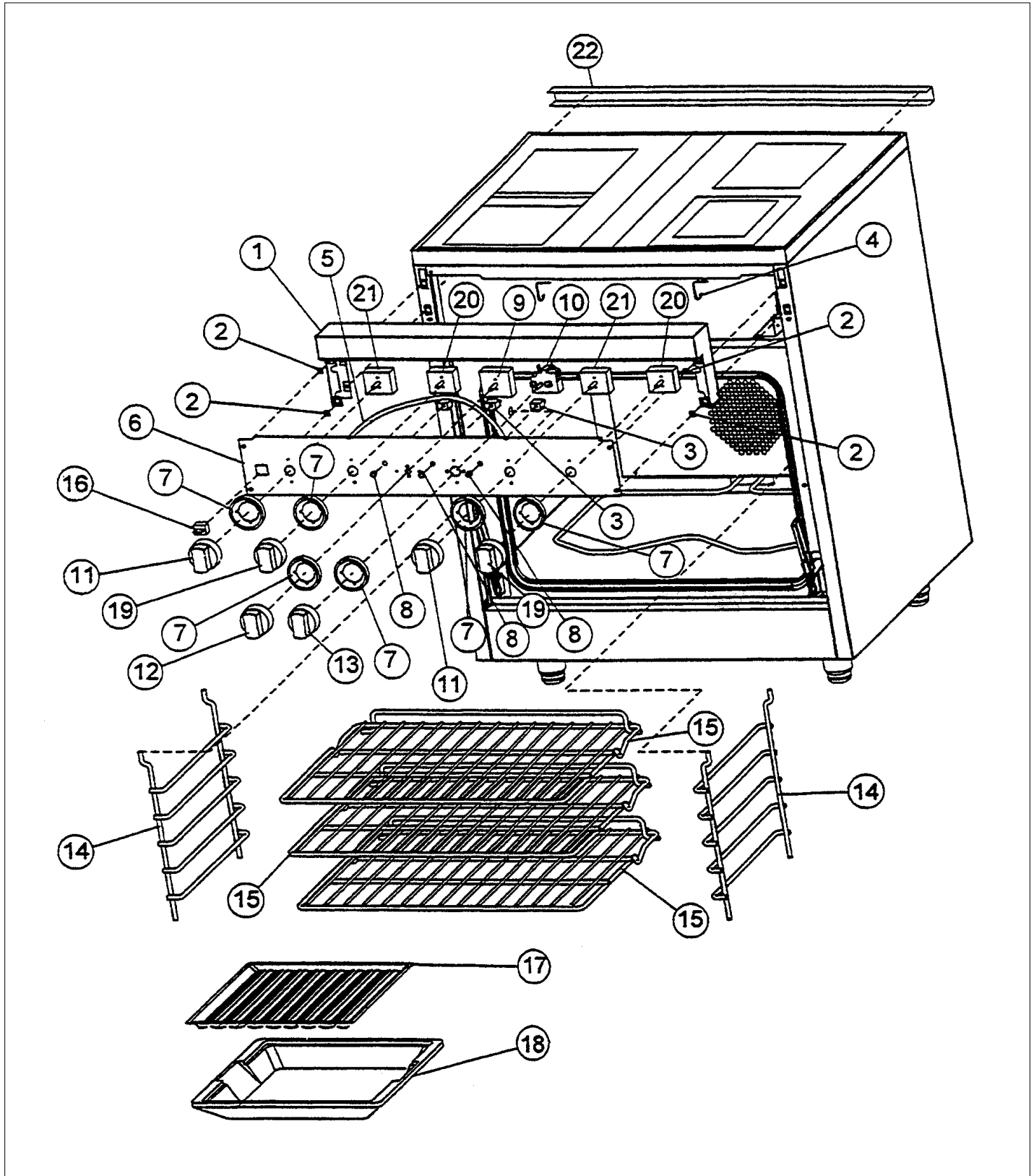


Item	Part No.	Name	Qty	Uom	NOTES
1	G5007437BK	CERAMIC TOP FRAME ASSY *BK*	1	EA	
1	G5007437WH	CERAMIC TOP FRAME ASSY *WH*	1	EA	
2	PJ020004	ELEMENT-(2)1800 X 800	1	EA	
3	PD040033	ELEMENT SHOULDER	1	EA	NO LONGER AVAILABLE, Not available online / Call for pricing and availability
4	PJ020005	2500 ELEMENT	1	EA	
5	PJ020003	ELEMENT	1	EA	
6	A2003020	ELEMENT SUPT RH (VESC305-4B)	1	EA	NO LONGER AVAILABLE, Not available online / Call for pricing and availability
7	A2003019	ELEMENT SUPT LH (VESC305-4B)	1	EA	NO LONGER AVAILABLE, Not available online / Call for pricing and availability
8	A2007938	LIGHT BRACKET	1	EA	NO LONGER AVAILABLE
9	C2003001	ELEMENT SPRING (VESC305-4B)	1	EA	NO LONGER AVAILABLE
10	PD040032	SPACER (VESC/VERT) (1/4 X 1/4)	1	EA	NO LONGER AVAILABLE, Not available online / Call for pricing and availability
11	PE070174	ELEMENT HARNESS-LH (VESC305-4B)	1	EA	
12	PE070175	ELEMENT HARNESS-RH (VESC305-4B)	1	EA	
13	B2001815	LOWER ACC PAN - (VGRC605)	1	EA	
13	C9001815AL	LOWER ACC PAN - *AL* (VGRC605)	1	EA	Not available online / Call for pricing and availability
13	C9001815BK	LOWER ACC PAN - *BK* (VGRC605)	1	EA	
13	C9001815BT	LOWER ACC PAN - *BT* (VGRC605)	1	EA	NO LONGER AVAILABLE
13	C9001815BU	LOWER ACC PAN - *BU* (VGRC605)	1	EA	Not available online / Call for pricing and availability

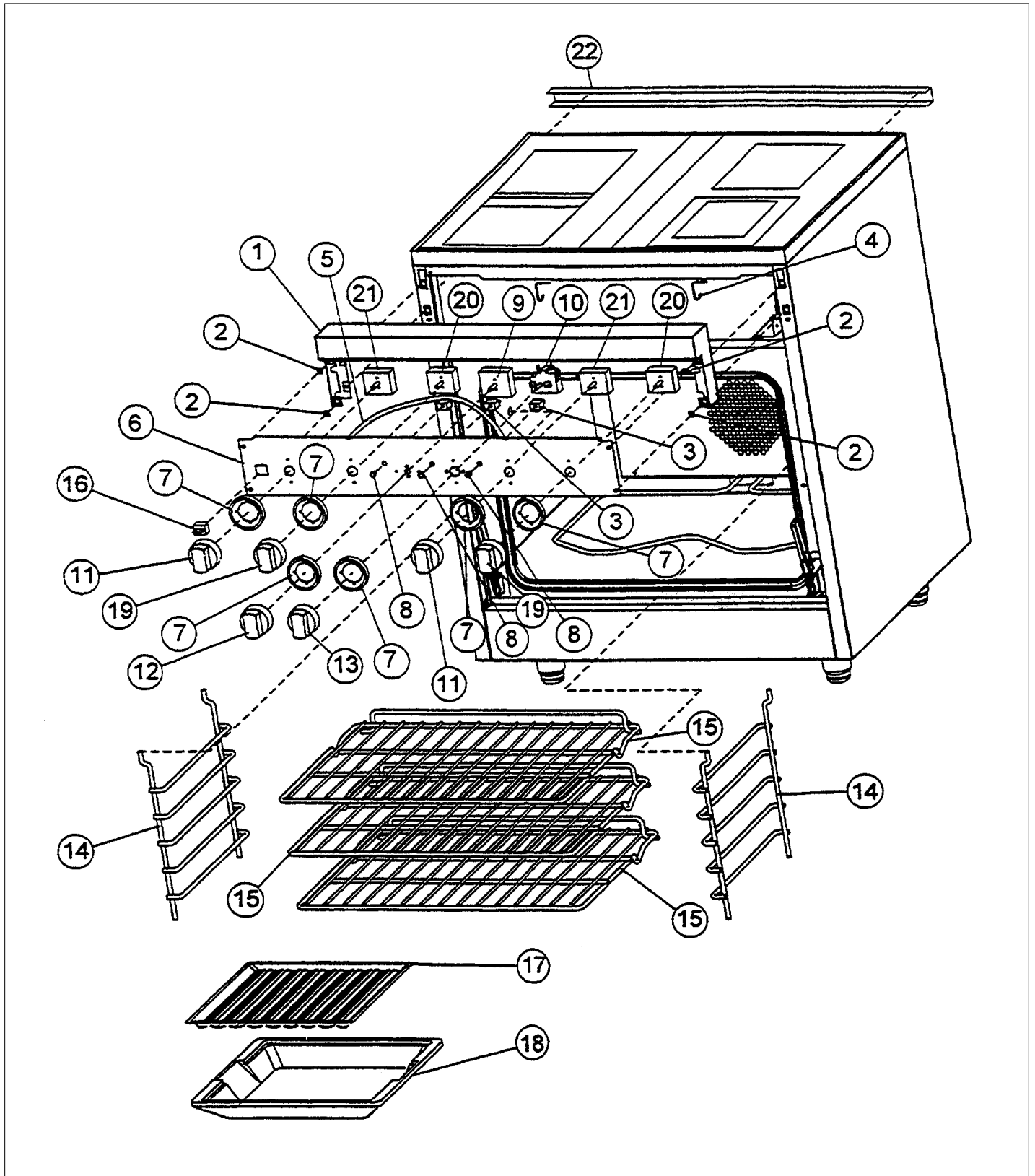


Item	Part No.	Name	Qty	Uom	NOTES
13	C9001815CB	LOWER ACC PAN - *CB* (VGRC605)	1	EA	Not available online / Call for pricing and availability
13	C9001815EP	LOWER ACC PAN - *EP* (VGRC605)	1	EA	NO LONGER AVAILABLE, Not available online / Call for pricing and availability
13	C9001815FG	LOWER ACC PAN - *FG* (VGRC605)	1	EA	NO LONGER AVAILABLE, Not available online / Call for pricing and availability
13	C9001815GG	LOWER ACC PAN - *GG* (VGRC605)	1	EA	NO LONGER AVAILABLE
13	C9001815LE	LOWER ACC PAN - *LE* (VGRC605)	1	EA	NO LONGER AVAILABLE
13	C9001815MJ	LOWER ACC PAN - *MJ* (VGRC605)	1	EA	NO LONGER AVAILABLE, Not available online / Call for pricing and availability
13	C9001815SG	LOWER ACC PAN - *SG* (VGRC605)	1	EA	
13	C9001815VB	LOWER ACC PAN - *VB* (VGRC605)	1	EA	NO LONGER AVAILABLE
13	C9001815WH	LOWER ACC PAN - *WH* (VGRC605)	1	EA	
14	PE050077	INDICATOR LIGHT	1	EA	
NI	PE070308	PRE-HEAT BOARD	1	EA	
NI	PE070321	RANGE PREHEAT HARNESS	1	EA	
NI	PA050086	5/8" MALE FLARE FITTING	1	EA	Not available online / Call for pricing and availability

EXTERIOR ASSY VIEW 3



Item	Part No.	Name	Qty	Uom	NOTES
1	G3001406	LANDING LEDGE ASSY - NLA		EA	
2	PD030005	SELF RETAINING NUT		EA	
3	PE050024	OVEN IND. LIGHT (LIGHT HOUSING)		EA	
<p>Comments for Part Num. PE050024</p> <p>haarnink@vikingrange.com on Jan 14, 2019                      please note that the indicator light is now part 043135-000 but needs the Jumper harness 051443-000. and second option there are units in the field with a 230V indicator light part number 036566-000.</p> <p>please check this for all "E" module ranges/Tops</p>					
4	PD030032	WIRE CLIP		EA	
5	PE070152	CTRL PAN "RESTRAINING" STRAP		EA	NO LONGER AVAILABLE
6	B92010452	CONTROL PANEL - VESC30"		EA	
7	050172-000	BEZEL, KNOB		EA	
7	PB010209	Bezel - BR		EA	
8	PE050023	OVEN IND. LIGHT (LENS & BEZEL)		EA	
9	PJ030001	SELECTOR SWITCH (8-POSITION) VDSC		EA	
10	PJ030003	THERMOSTAT (SELF CLEAN) VDSC		EA	
<p>Comments for Part Num. PJ030003</p> <p>boltz on Nov 21, 2017                      See Bulletin 2005-03                      Reply by steves@bendbroadband.com on Apr 10, 2018                      what bulletin? bulletin should linked here.                      Reply by bradleysapplianceservice@shaw.ca on Sep 27, 2018                      If you have access to Documoto then all you have to do is either run the part number PJ030003 or service bulletin number 2005-03AS in the main search field and all your answer will be there. It's Simple.</p>					
Not Shown	NOTE	(Before 02/02/05)		EA	
10	PS500032	PJ030031 THERMOSTAT AND ROLL PIN SERVICE KIT		EA	See 2005-03 Bulletin
Not Shown	NOTE	(After 02/02/05)		EA	
11	PB010143	KNOB-DUAL INFINITE SWITCH *BK*		EA	

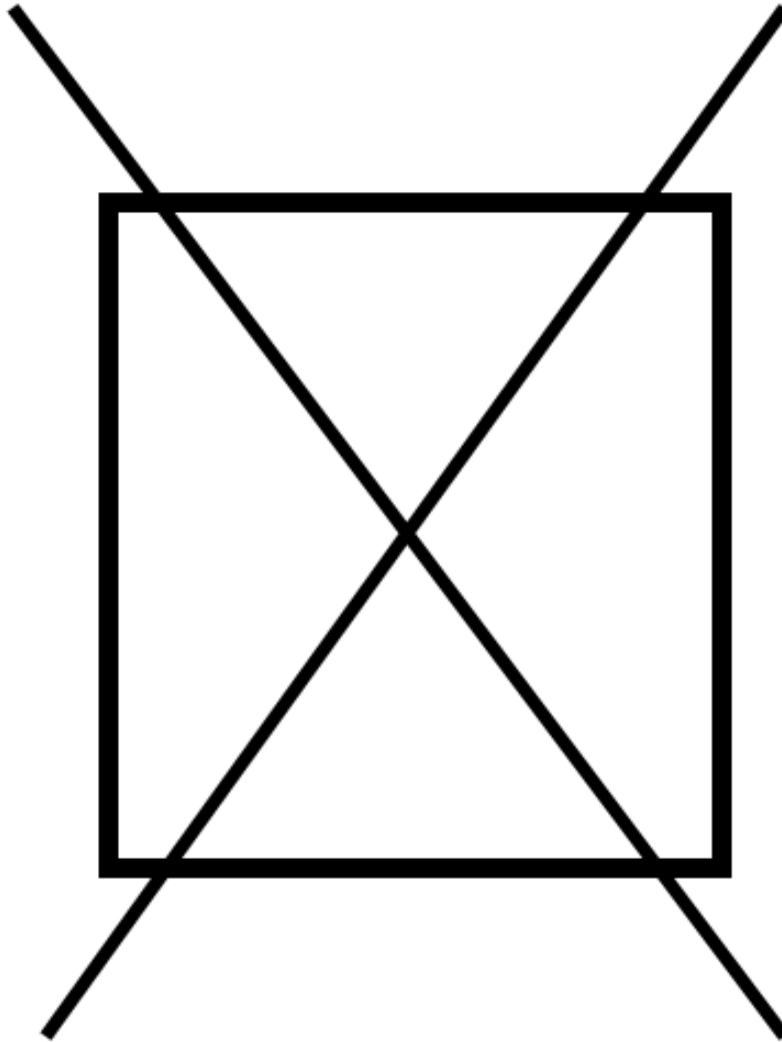






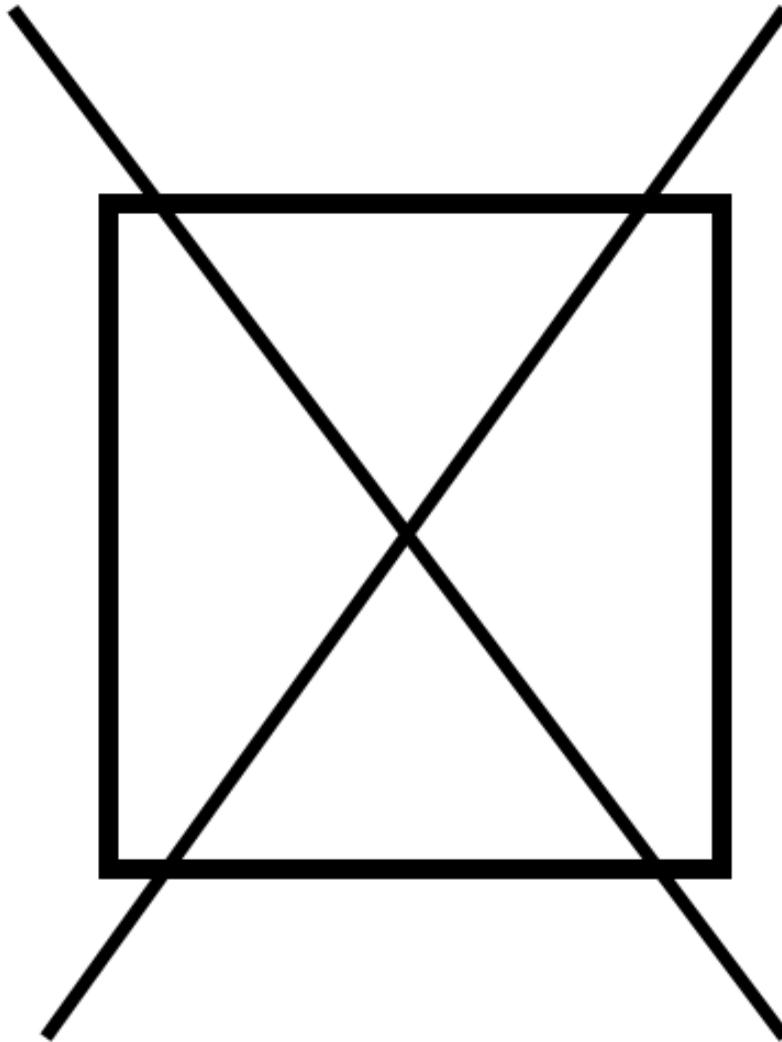
Item	Part No.	Name	Qty	Uom	NOTES
11	PB010144	KNOB - DUAL INFINITE SWITCH WH		EA	
12	PB010230	OVEN SELECT. KNOB*BK* VDSC307		EA	
12	PB010132	SELECTOR KNOB *WH* (VDSC)		EA	
13	PB010129	THERMOSTAT KNOB *BK* (VDSC)		EA	
13	PB010130	THERMOSTAT KNOB *WH* (VDSC)		EA	
14	PB060030	RACK SUPT REPL PB060010		EA	
15	PB060044	OVEN RK VDSC30/48RH REPL PB060019		EA	
16	PE050016	OVEN LIGHT SWITCH - *BK* (WES-GAR)		EA	
16	PE050017	OVEN LIGHT SWITCH - *WH* (WES-GAR)		EA	
17	E9107933	BROILER PAN	1	EA	
18	E9107934	BROILER PAN INSERT - NLA	1	EA	
19	PB010145	KNOB - SINGLE INFINITE SWITCH BLACK		EA	
19	PB010146	KNOB-SINGLE INFINITE SWITCH *WH*		EA	
20	PJ030007	INFINITE SWITCH		EA	
21	G50013538	PJ030027 INFINITE SWITCH SERVICE KIT		EA	
22	B2002762	REAR FRAME TRIM (VESC)		EA	NO LONGER AVAILABLE

NON  
ILLUSTRATED PART



Item	Part No.	Name	Qty	Uom	NOTES
1	PM010025	RELAY (DOUBLE POLE-DOUBLE THROW)	1	EA	
NI	PE070786	ELECTRONIC CONTROL BOARD	1	EA	
2	PJ030002	AUTO RESET (SELF-CLEAN) VDSC	1	EA	
3	PJ010004	BAKE ELEMENT (VDSC) 240V	1	EA	
4	PJ010001	BROIL ELEMENT 240V	1	EA	
5	PJ010002	BROIL ELEMENT(MAXI)-SIDE (VDSC)240V	1	EA	
6	PJ010003	CONVECTION ELEMENT (VDSC) 240V	1	EA	
7	PE050005	CONVECTION FAN ASSY	1	EA	
8	PJ030006	SWITCH (COOLING FAN)	1	EA	
9	PE050053	DR LATCH REPL PE050020	1	EA	
10	G50013538	PJ030027 INFINITE SWITCH SERVICE KIT	1	EA	
11	PJ020003	ELEMENT	1	EA	
12	PJ020005	2500 ELEMENT	1	EA	
13	PJ020004	ELEMENT-(2)1800 X 800	1	EA	
14	PE070174	ELEMENT HARNESS-LH (VESC305-4B)	1	EA	
15	PE070175	ELEMENT HARNESS-RH (VESC305-4B)	1	EA	
16	PJ030005	SWITCH (HIGH-LIMIT) VDSC	1	EA	
17	PJ030007	INFINITE SWITCH	1	EA	
18	PE050077	INDICATOR LIGHT	1	EA	
19	031449-000	LAMP, ASM	1	EA	
20	PE050016	OVEN LIGHT SWITCH - *BK* (WES-GAR)	1	EA	
21	PE050017	OVEN LIGHT SWITCH - *WH* (WES-GAR)	1	EA	
22	PE070321	RANGE PREHEAT HARNESS	1	EA	
23	PE070308	PRE-HEAT BOARD	1	EA	
24	PM010025	RELAY (DOUBLE POLE-DOUBLE THROW)	1	EA	
25	PM010025	RELAY (DOUBLE POLE-DOUBLE THROW)	1	EA	

# NON ILLUSTRATED PART





Item	Part No.	Name	Qty	Uom	NOTES
26	PJ030001	SELECTOR SWITCH (8-POSITION) VDSC	1	EA	
27	PE070148	SELF-CLEAN BOARD/TIMER (VDSC)	1	EA	
28	PM010014	SMOKE ELIMINATOR (VDSC)	1	EA	
29	PE070147	TERMINAL BLOCK (VDSC)	1	EA	
30	PJ030003	THERMOSTAT (SELF CLEAN) VDSC	1	EA	

Comments for Part Num. PJ030003

boltz on Nov 21, 2017

See Bulletin 2005-03

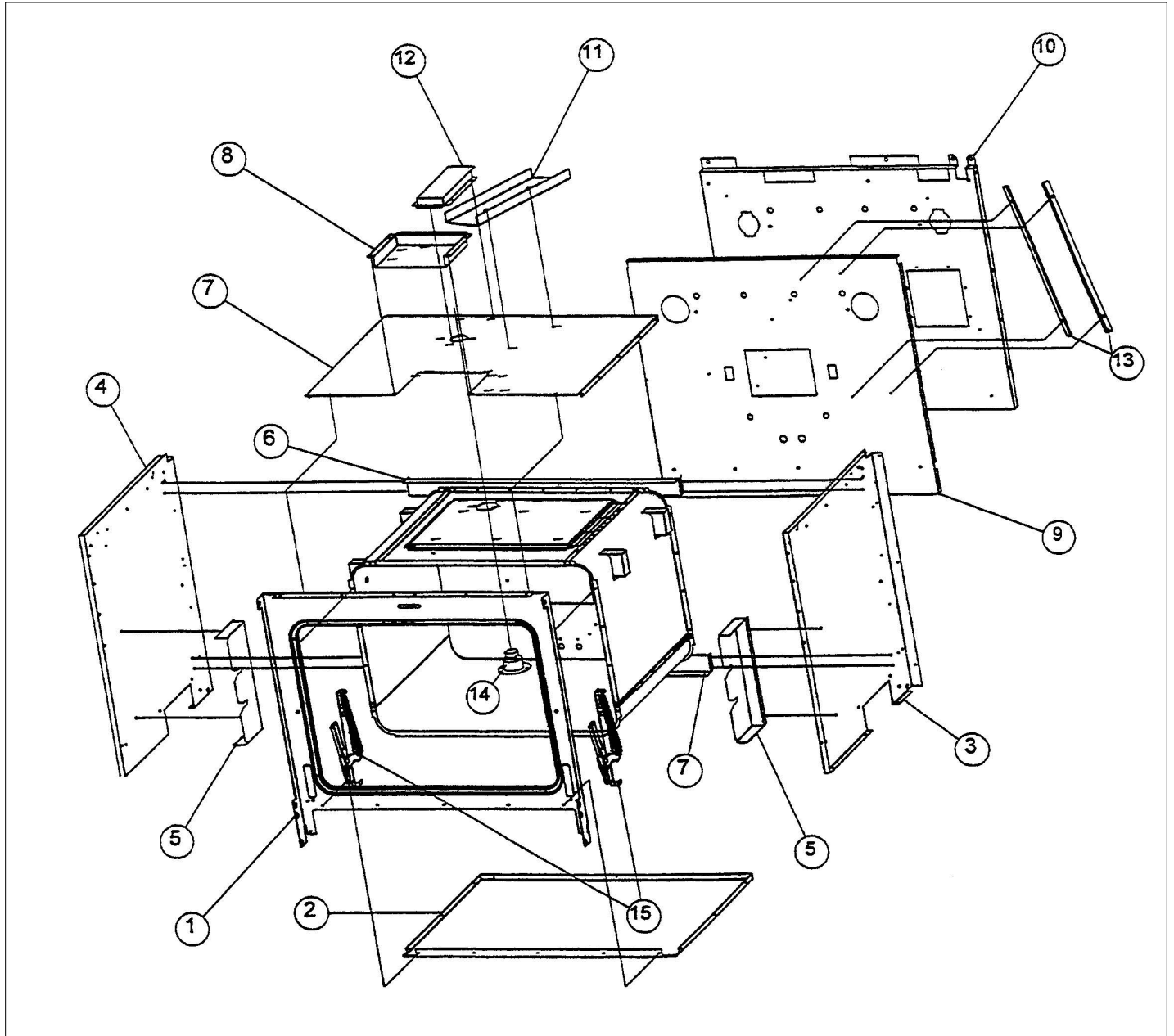
Reply by steves@bendbroadband.com on Apr 10, 2018

what bulletin? bulletin should linked here.

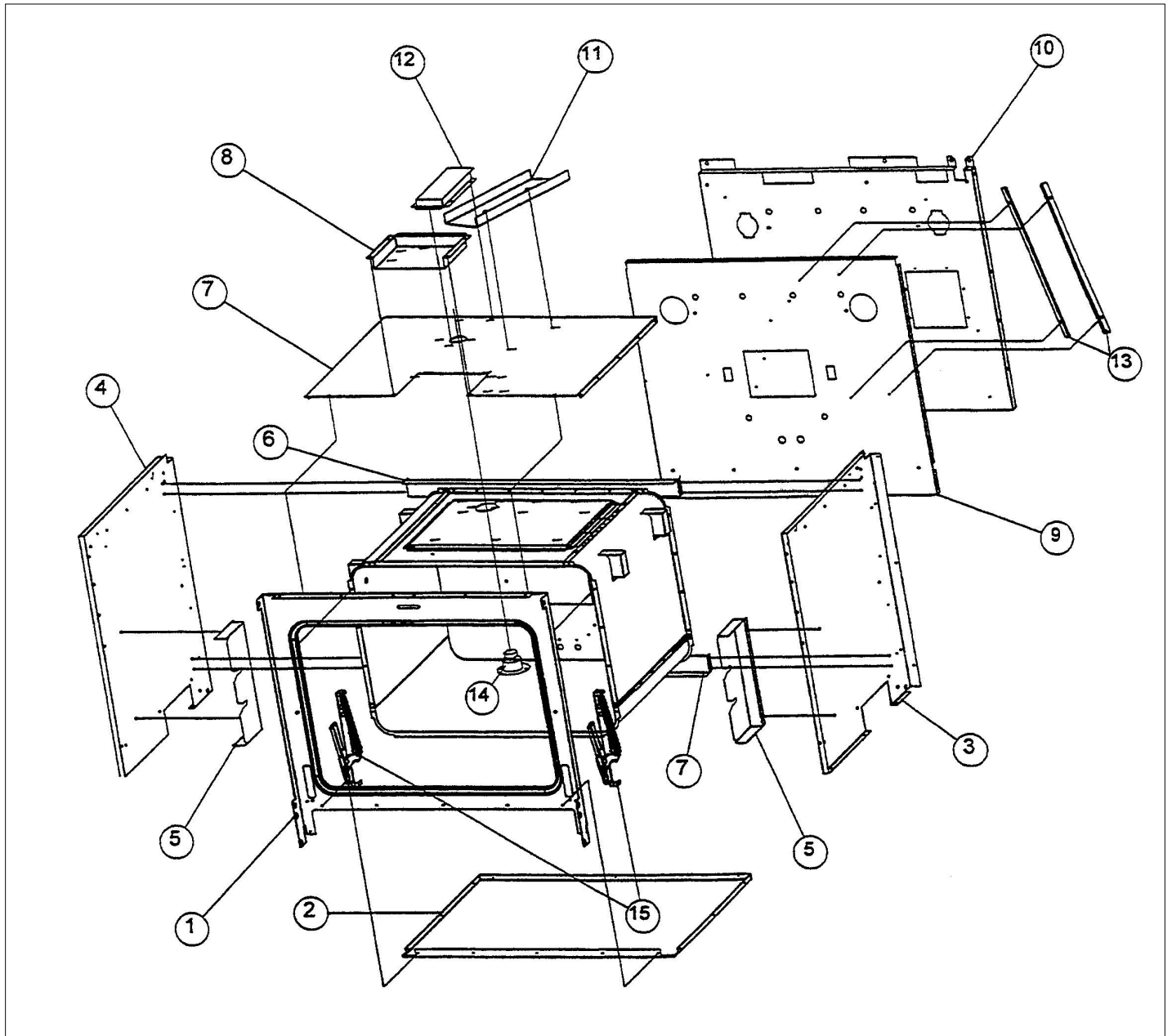
Reply by bradleysapplianceservice@shaw.ca on Sep 27, 2018

If you have access to Documoto then all you have to do is either run the part number PJ030003 or service bulletin number 2005-03AS in the main search field and all your answer will be there. It's Simple.

OVEN CAVITY (INSUL. RETNR) ASSY



Item	Part No.	Name	Qty	Uom	NOTES
1	G9102743	OVEN FRONT FRAME ASSY (VDSC30)	1	EA	Not available online / Call for pricing and availability
2	A2002157	OVEN BTM INSUL.RETAINER (VDSC)	1	EA	NO LONGER AVAILABLE, Not available online / Call for pricing and availability
3	A2002155	OVEN SIDE INSUL.RETAINER-RH(VDSC)	1	EA	NO LONGER AVAILABLE, Not available online / Call for pricing and availability
4	A2002156	OVEN SIDE INSUL.RETAINER-LH(VDSC)	1	EA	NO LONGER AVAILABLE, Not available online / Call for pricing and availability
5	A2002183	HINGE INSULATION COVER (VDSC)	1	EA	
6	A2002158	REAR OVEN SUPT (VDSC)	1	EA	NO LONGER AVAILABLE, Not available online / Call for pricing and availability
7	A2002160	OVEN TOP INSUL.RETAINER (VDSC)	1	EA	NO LONGER AVAILABLE, Not available online / Call for pricing and availability
8	A2002168	DOOR LATCH BRKT (VDSC)	1	EA	
9	A2002476	OVEN BACK INSULATION RETAINER (VDSC)	1	EA	NO LONGER AVAILABLE, Not available online / Call for pricing and availability
10	A2002159	O/S BACK (VDSC)	1	EA	NO LONGER AVAILABLE, Not available online / Call for pricing and availability
11	A2002450	LATCH COOLING DUCT (VDSC)	1	EA	NO LONGER AVAILABLE, Not available online / Call for pricing and availability
12	A2002479	SMOKE ELIMINATOR VENT (VDSC)	1	EA	

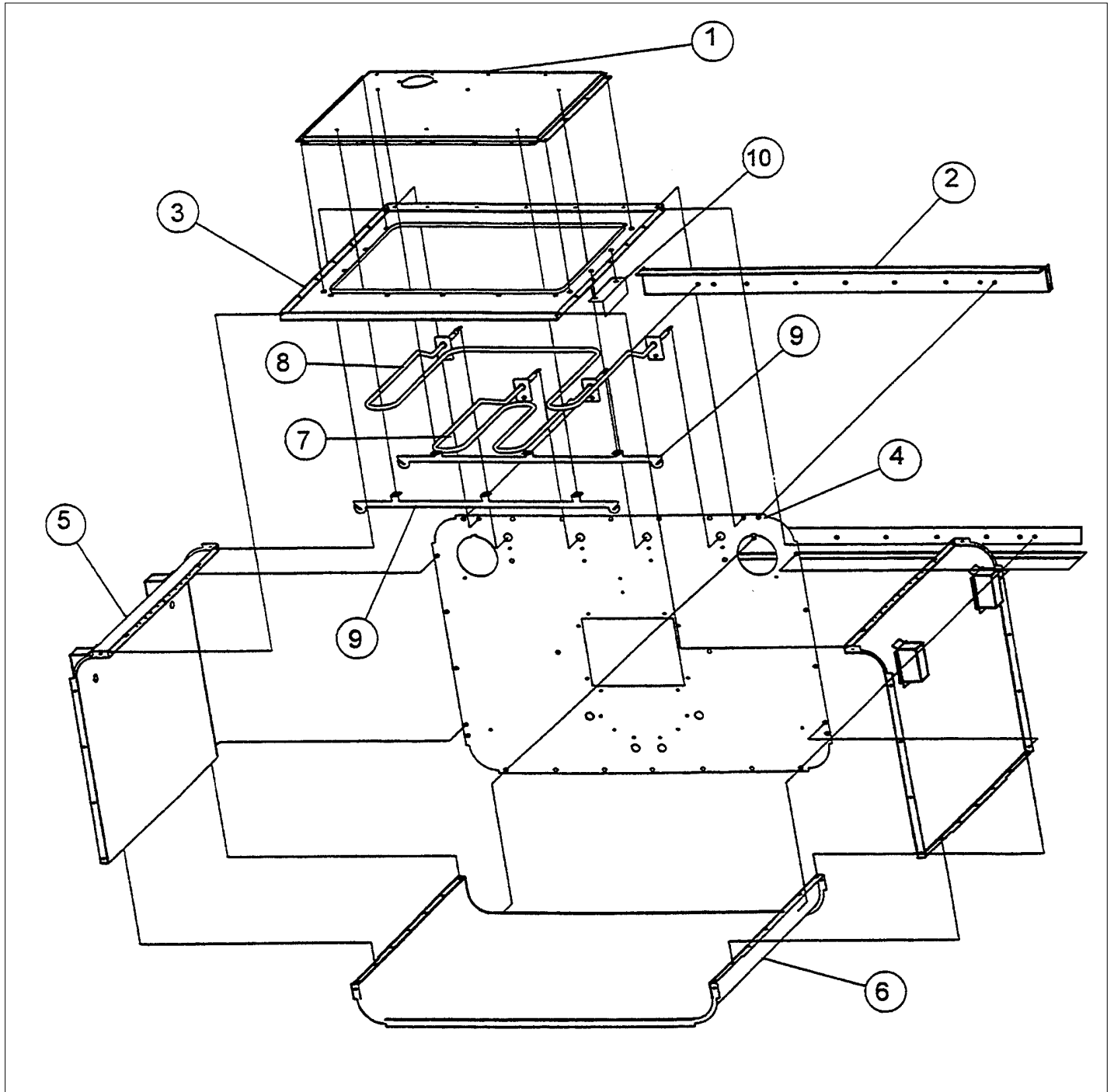






Item	Part No.	Name	Qty	Uom	NOTES
13	A2002477	AIR WASH ANGLE (VDSC)	1	EA	NO LONGER AVAILABLE, Not available online / Call for pricing and availability
14	PM010014	SMOKE ELIMINATOR (VDSC)	1	EA	
15	PC020009	HINGE ASSY (BROWN)	1	EA	

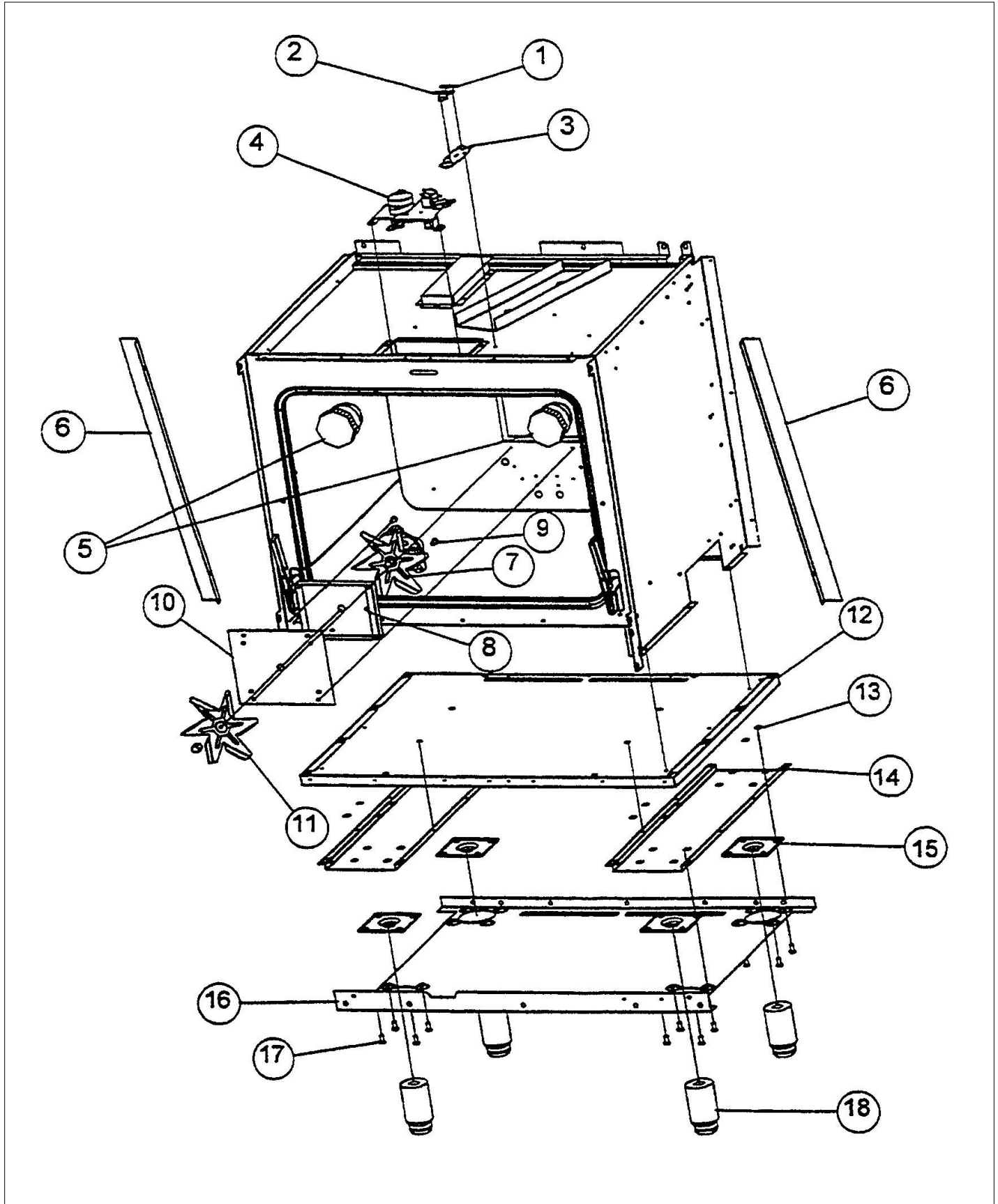
OVEN CAVITY ASSY





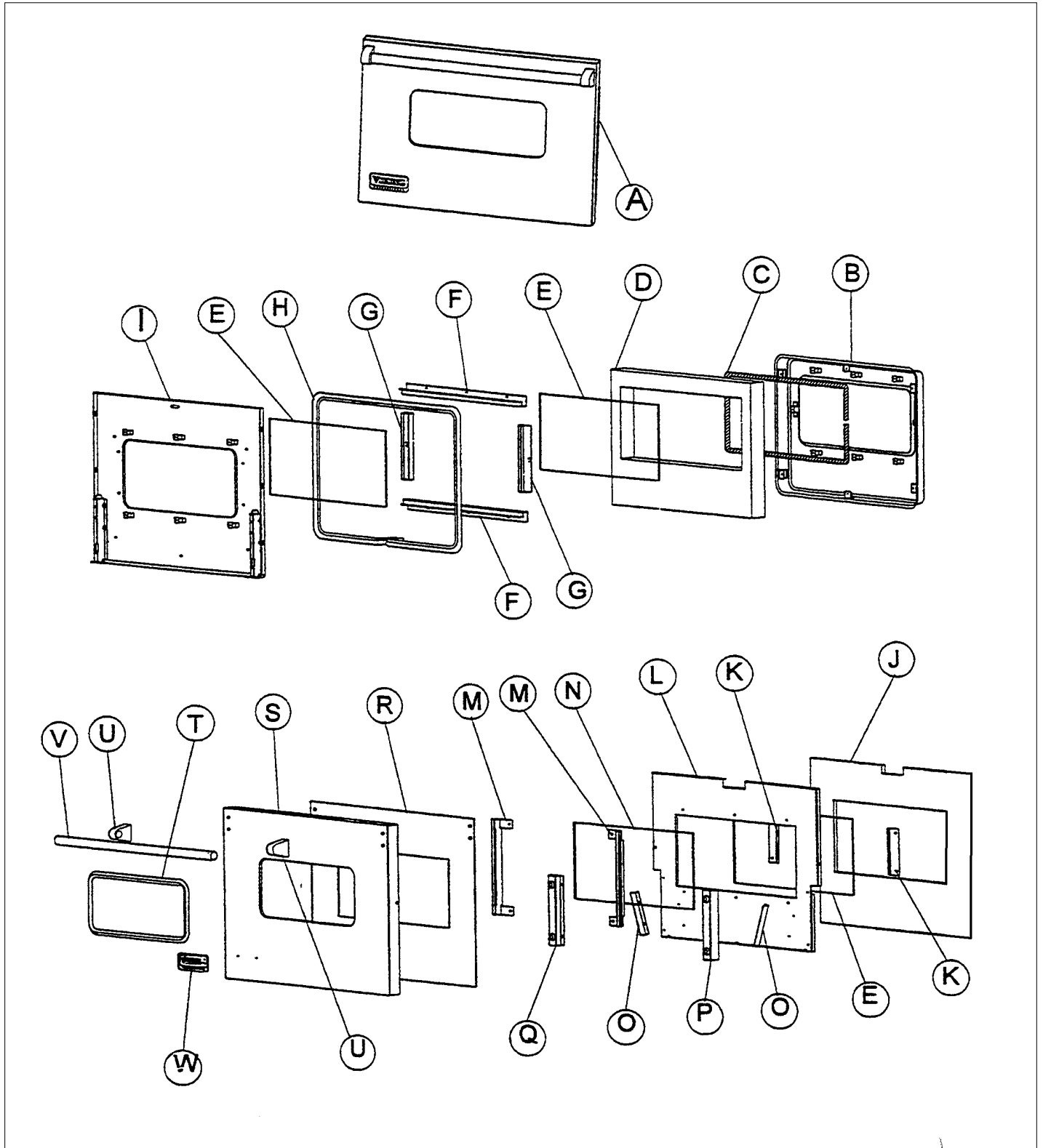
Item	Part No.	Name	Qty	Uom	NOTES
1	B2002167	BROILER TOP (VDSC)	1	EA	NO LONGER AVAILABLE
2	A2002158	REAR OVEN SUPT (VDSC)	1	EA	NO LONGER AVAILABLE, Not available online / Call for pricing and availability
3	E9102153	OVEN TOP (VDSC)	1	EA	NO LONGER AVAILABLE
4	E9102741	OVEN BACK (VDSC30)	1	EA	NO LONGER AVAILABLE, Not available online / Call for pricing and availability
5	G9102736	OVEN SIDE ASSY (VDSC)	1	EA	NO LONGER AVAILABLE, Not available online / Call for pricing and availability
6	E9102152	OVEN BTM (VDSC)	1	EA	NO LONGER AVAILABLE
7	PJ010001	BROIL ELEMENT 240V	1	EA	
8	PJ010002	BROIL ELEMENT(MAXI)-SIDE (VDSC)240V	1	EA	
9	B2002185	BROIL ELEMENT BRKT (VDSC)	1	EA	
NI	PD020003	#10 X 1/2 T(A) HEX WASHER HEAD	1	EA	
NI	PD020048	NO.10 X 1/2 TEK 410 SS SCREW	1	EA	
10	B2002489	THERMAL BULB SHIELD (VDSC)	1	EA	

OVEN CAVITY ASSY (TOP & BOTTOM)

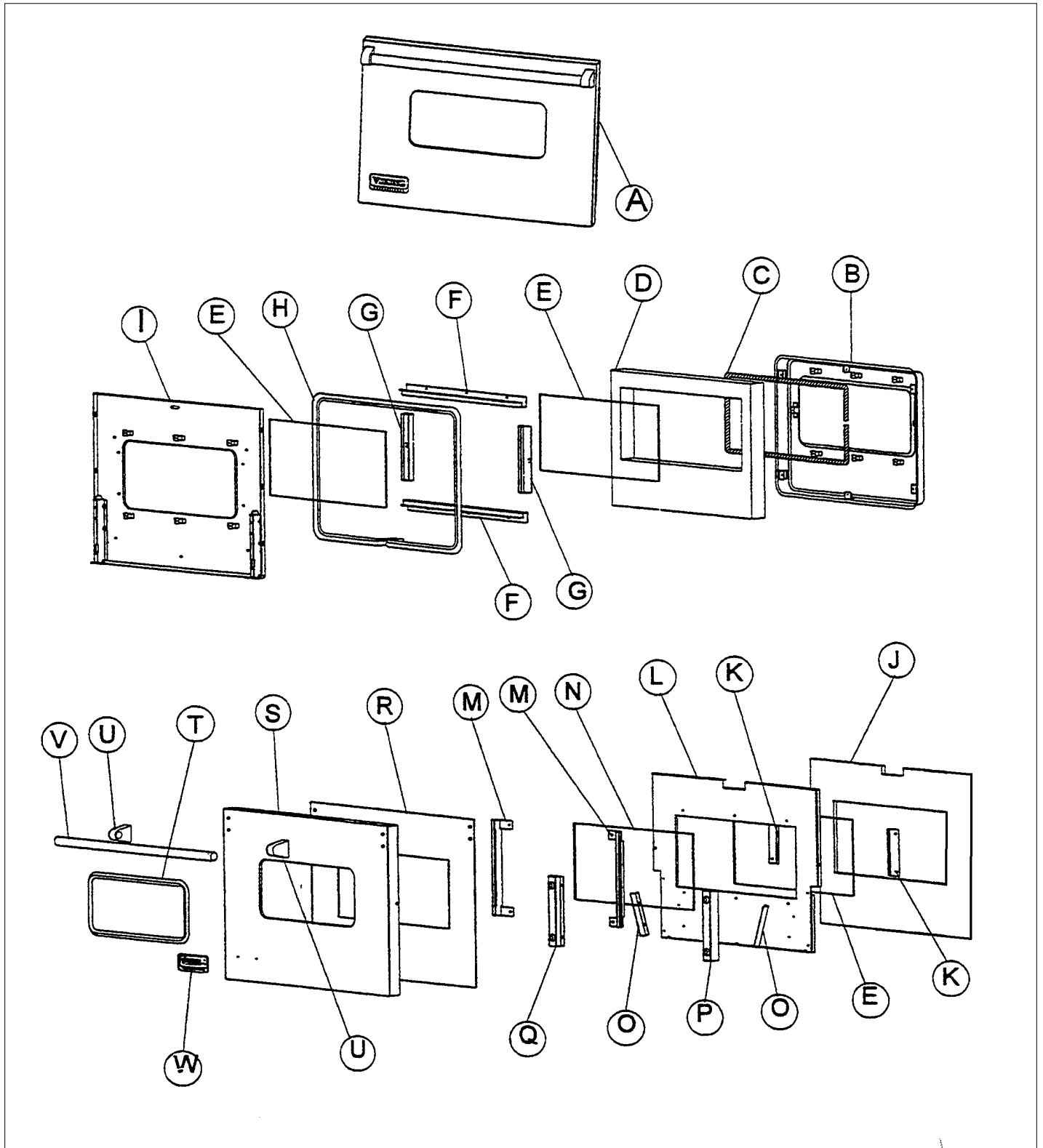


Item	Part No.	Name	Qty	Uom	NOTES
1	PJ030005	SWITCH (HIGH-LIMIT) VDSC	1	EA	
Not Shown	NOTE	(MOUNT TO REAR BRACKET)		EA	
2	PJ030006	SWITCH (COOLING FAN)	1	EA	
Not Shown	NOTE	(MOUNT TO FRONT OF BRACKET)		EA	
3	A1002456	THERMO-DISC BRKT (VDSC)	1	EA	
4	PE050053	DR LATCH REPL PE050020	1	EA	
5	031449-000	LAMP, ASM	1	EA	
6	A2002475	SIDE PANEL DIVERTER (VDSC)	1	EA	NO LONGER AVAILABLE
7	PE050005	CONVECTION FAN ASSY	1	EA	
8	A2002595	CONVECTION FAN BOX (VDSC)	1	EA	
9	PD020003	#10 X 1/2 T(A) HEX WASHER HEAD	1	EA	
10	A1002596	CONVECTION FAN COVER (VDSC)	1	EA	
11	PE050005	CONVECTION FAN ASSY	1	EA	
12	A2002481	BTM INSULATION SHIELD (VDSC)	1	EA	
13	PD030029	SELF RETAINING NUT (1/4-20)	1	EA	
14	A2002482	LEG BRACE (VDSC)	1	EA	NO LONGER AVAILABLE
15	PC030007	LEG PLATE - 3/4" THREADED HOLE	1	EA	
16	A2002480	MAIN BTM (VDSC)	1	EA	NO LONGER AVAILABLE
17	PD010006	HEX HD. BOLT - 1/4-20 X 1/2	1	EA	
18	PC030017	4" LEG ASSY	1	EA	

OVEN DOOR ASSY

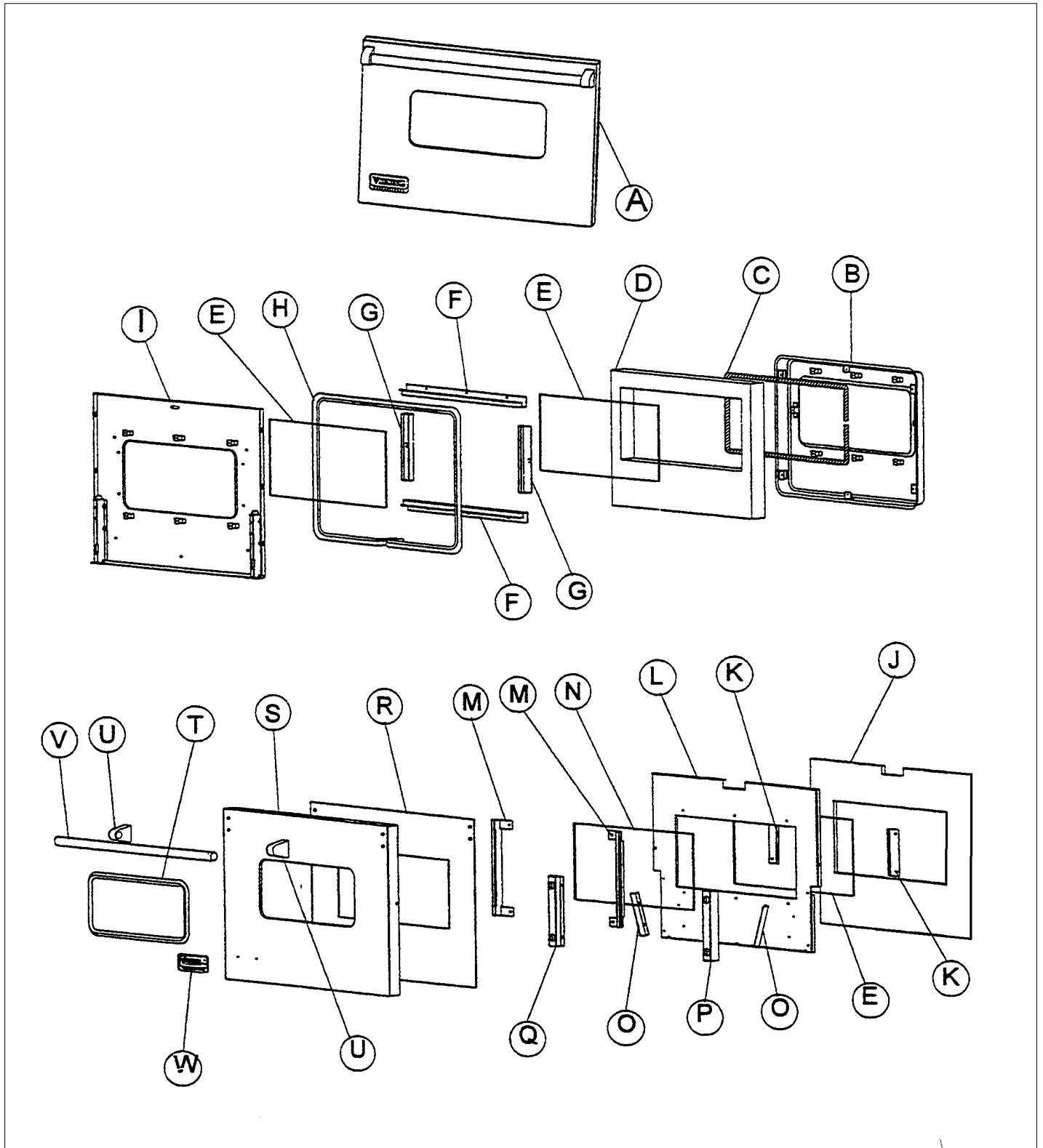


Item	Part No.	Name	Qty	Uom	NOTES
A	G3202172AL	DOOR SUB-ASSY-*AL* (VDSC30)	1	EA	NO LONGER AVAILABLE, Not available online / Call for pricing and availability
A	G3202172ALBR	DOOR SUB-ASSY-*AL**BR* VDSC30	1	EA	NO LONGER AVAILABLE, Not available online / Call for pricing and availability
A	G3202172BK	DOOR SUB-ASSY-*BK* (VDSC30)	1	EA	NO LONGER AVAILABLE
A	G3202172BKBR	DOOR SUB-ASSY-*BK**BR* (VDSC30)	1	EA	NO LONGER AVAILABLE, Not available online / Call for pricing and availability
A	G3202172BT	DOOR SUB-ASSY-*BT* (VDSC30)	1	EA	NO LONGER AVAILABLE, Not available online / Call for pricing and availability
A	G3202172BTBR	COMPLETE DOOR ASSY. - BTBR	1	EA	Not available online / Call for pricing and availability
A	G3202172BU	DOOR SUB-ASSY-*BU* (VDSC30)	1	EA	NO LONGER AVAILABLE, Not available online / Call for pricing and availability
A	G3202172BUBR	DOOR SUB-ASSY-*BU**BR* (VDSC30)	1	EA	NO LONGER AVAILABLE, Not available online / Call for pricing and availability
A	G3202172CB	DOOR SUB-ASSY-*CB* (VDSC30)	1	EA	NO LONGER AVAILABLE, Not available online / Call for pricing and availability
A	G3202172CBBR	COMPLETE DOOR ASSY. - CBBR	1	EA	Not available online / Call for pricing and availability
A	G3202172EP	DOOR SUB-ASSY- *EP*(VDSC30)	1	EA	NO LONGER AVAILABLE
A	G3202172EPBR	COMPLETE DOOR ASSY. - EPBR	1	EA	Not available online / Call for pricing and availability

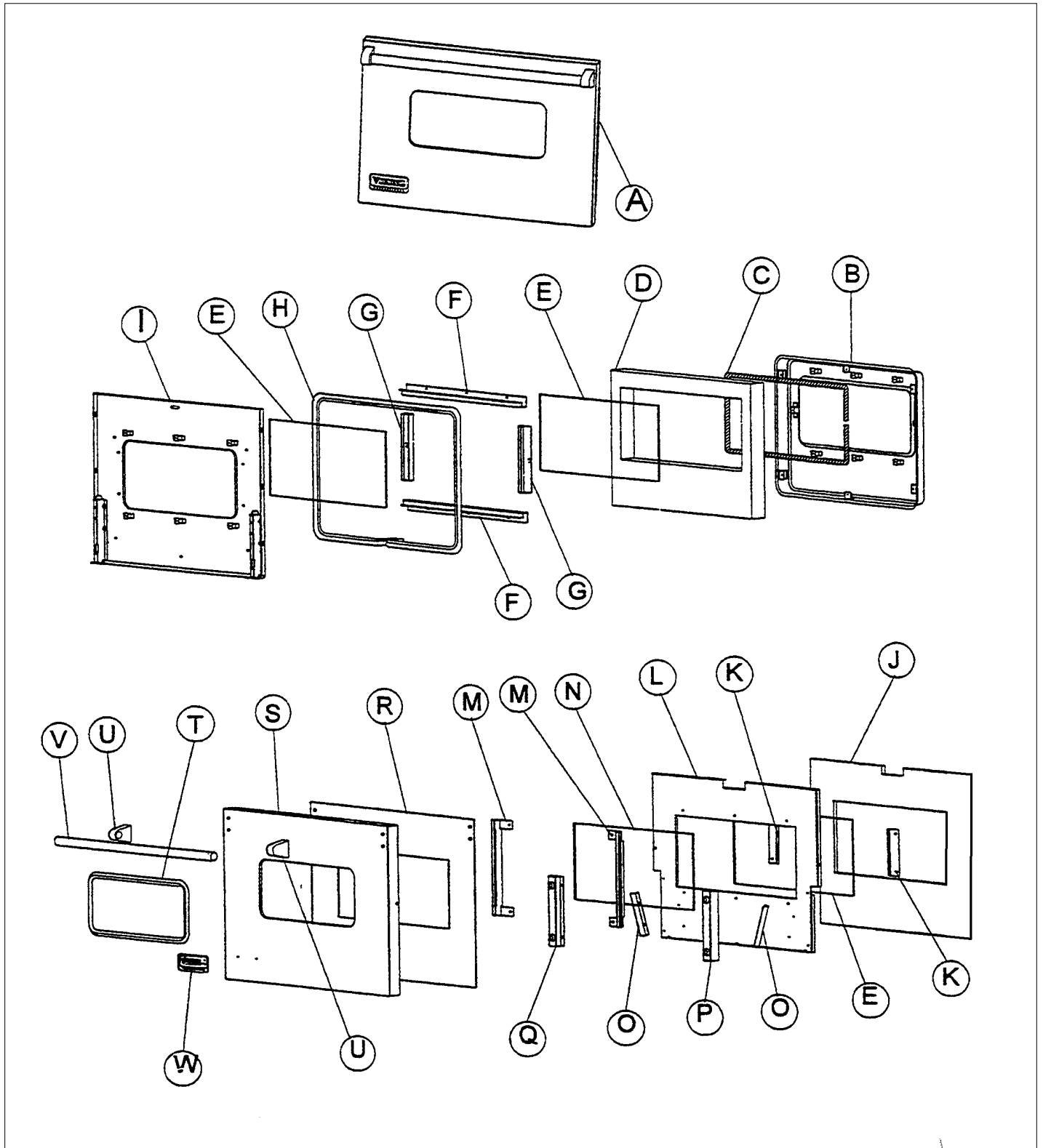




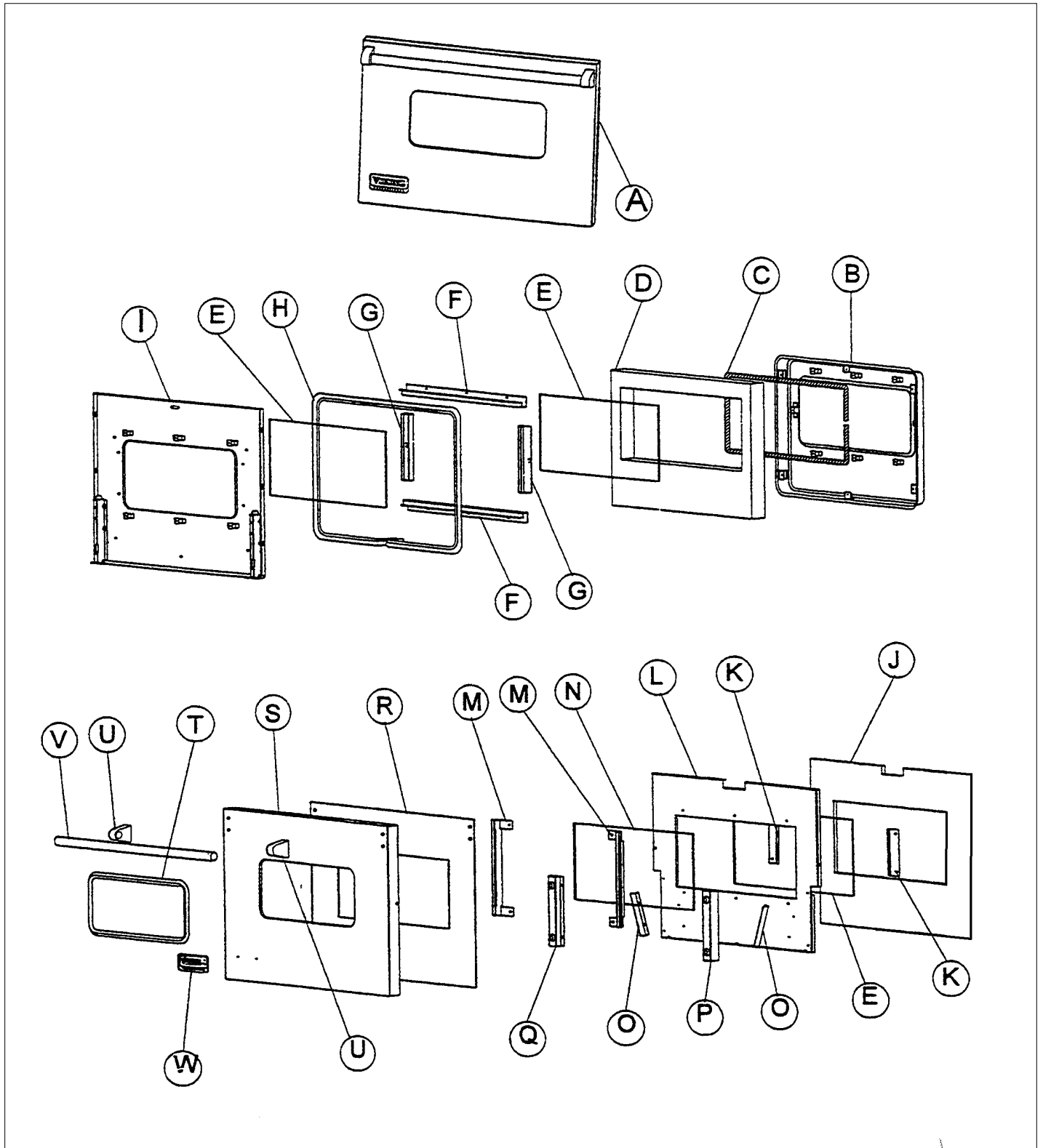
Item	Part No.	Name	Qty	Uom	NOTES
A	G3202172FG	DOOR SUB-ASSY-*FG* (VDSC30)	1	EA	NO LONGER AVAILABLE, Not available online / Call for pricing and availability
A	G3202172FGBR	DOOR SUB-ASSY-*FG**BR* (VDSC30)	1	EA	NO LONGER AVAILABLE, Not available online / Call for pricing and availability
A	G3202172GG	DOOR SUB-ASSY-*GG* (VDSC30)	1	EA	NO LONGER AVAILABLE, Not available online / Call for pricing and availability
A	G3202172GGBR	COMPLETE DOOR ASSY. - GGBR	1	EA	Not available online / Call for pricing and availability
A	G3202172LE	DOOR SUB-ASSY-LE* (VDSC30)	1	EA	NO LONGER AVAILABLE, Not available online / Call for pricing and availability
A	G3202172LEBR	COMPLETE DOOR ASSY. - LEBR	1	EA	Not available online / Call for pricing and availability
A	G3202172MJ	DOOR SUB-ASSY-*MJ* (VDSC30)	1	EA	NO LONGER AVAILABLE, Not available online / Call for pricing and availability
A	G3202172MJBR	COMPLETE DOOR ASSY. - MJBR	1	EA	Not available online / Call for pricing and availability
A	G3202172SG	DOOR SUB-ASSY-*SG* (VDSC30)	1	EA	NO LONGER AVAILABLE
A	G3202172SGBR	COMPLETE DOOR ASSY. - SGBR	1	EA	Not available online / Call for pricing and availability
A	G3202172SS	DOOR SUB-ASSY-*SS* (VDSC30)	1	EA	
A	G3202172SSBR	COMPLETE DOOR ASSY. - SSBR	1	EA	Not available online / Call for pricing and availability



Item	Part No.	Name	Qty	Uom	NOTES
A	G3202172VB	DOOR SUB-ASSY-*VB* (VDSC30)	1	EA	NO LONGER AVAILABLE, Not available online / Call for pricing and availability
A	G3202172VBBR	DOOR SUB-ASSY-*VB**BR* (VDSC30)	1	EA	NO LONGER AVAILABLE, Not available online / Call for pricing and availability
A	G3202172WH	DOOR SUB-ASSY-*WH* (VDSC30)	1	EA	
A	G3202172WHBR	DOOR SUB-ASSY-*WH**BR* (VDSC30)	1	EA	NO LONGER AVAILABLE, Not available online / Call for pricing and availability
B	G50010120	VDSC305/VDSC485RH/VESC305/VESC306 DR LINER SVC-KIT	1	EA	
C	000594-000	BLACK FIBERGLASS ROPE 3/8	1	EA	
D	PB070076	WOOL INSULATION 1" X 21" X 3'	1	EA	
E	PE060039	GLASS-HEAT TREATED (HB2) VDSC	1	EA	
F	E9102178	WINDOW LINER-TOP/BTM (VDSC)	1	EA	
G	E9102179	WINDOW LINER-SIDE (VDSC)	1	EA	
H	000623-000	DOOR GASKET(3/8"DIA.) (VDSC)	1	EA	
I	G50010220	DOOR LINER / PLUG SVC. KIT	1	EA	Not available online / Call for pricing and availability
J	PB070034	INSULATION-TRS-10 1" X 20" X 77' ROLL	1	EA	
K	A2002189	DOOR GLASS STANDOFF (VDSC)	1	EA	
L	A2002169	DOOR INSULATION RETAINER (VDSC30)	1	EA	
M	A2002367	DOOR GLASS BRKT	1	EA	
N	PE060030	OUTER DOOR GLASS	1	EA	
O	A2002497	DOOR GUIDE ANGLE VDSC	1	EA	
P	A2002498	HINGE POCKET COVER RH	1	EA	
Q	A2002499	HINGE POCKET COVER LH	1	EA	
R	J1002594	OVEN DR HEAT SINK (VDSC30)	1	EA	



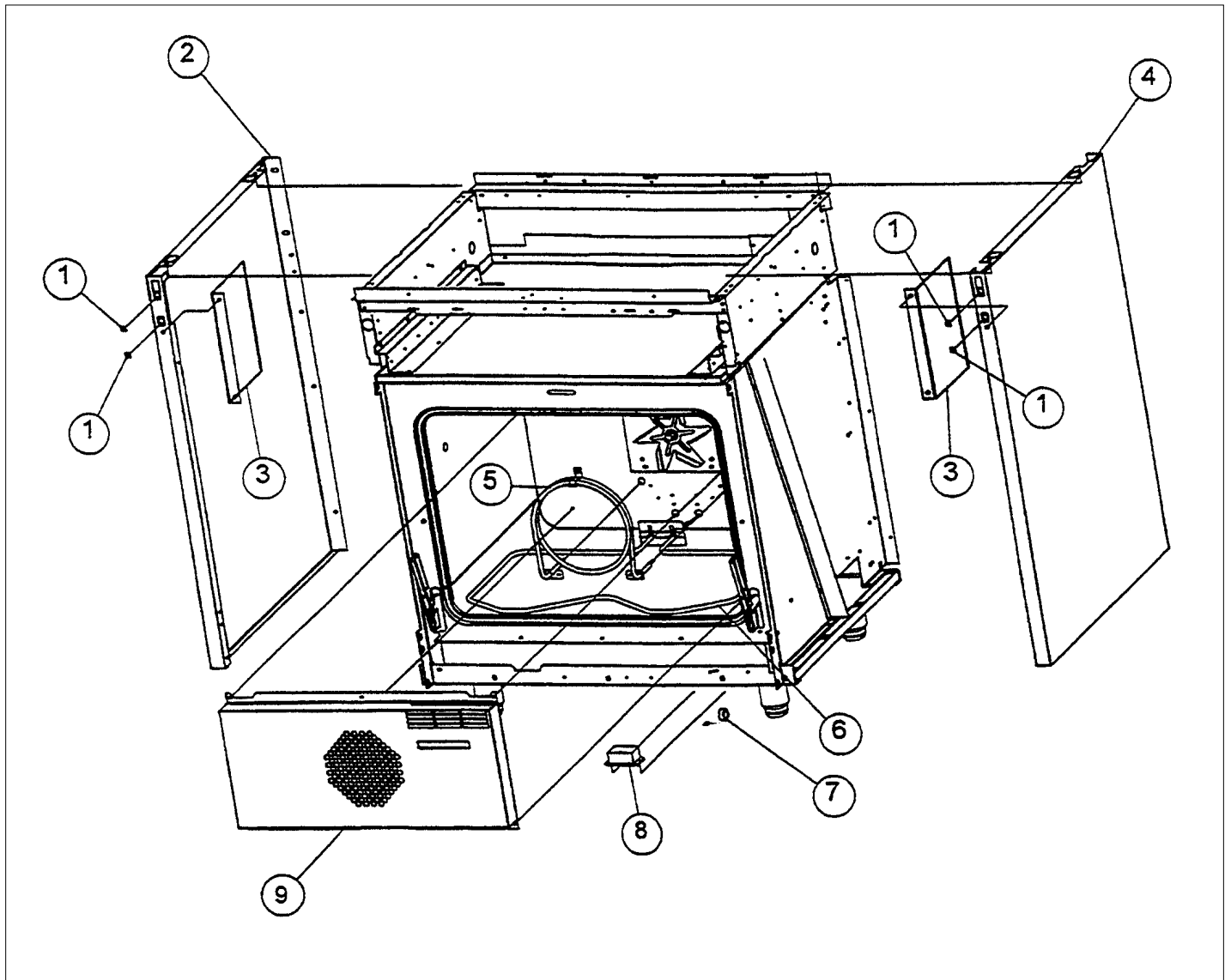
Item	Part No.	Name	Qty	Uom	NOTES
S	B2002188	O/S DOOR PANEL *SS* (VDSC30)	1	EA	
S	C9002188AL	O/S DOOR PANEL-*AL* (VDSC30)	1	EA	NO LONGER AVAILABLE, Not available online / Call for pricing and availability
S	C9002188BK	O/S DOOR PANEL-*BK* (VDSC30)	1	EA	
S	C9002188BT	O/S DOOR PANEL-*BT* (VDSC30)	1	EA	NO LONGER AVAILABLE, Not available online / Call for pricing and availability
S	C9002188BU	O/S DOOR PANEL-*BU* (VDSC30)	1	EA	Not available online / Call for pricing and availability
S	C9002188CB	O/S DOOR PANEL-*CB* (VDSC30)	1	EA	NO LONGER AVAILABLE
S	C9002188EP	O/S DOOR PANEL-*EP* (VDSC30)	1	EA	NO LONGER AVAILABLE, Not available online / Call for pricing and availability
S	C9002188FG	O/S DOOR PANEL-*FG* (VDSC30)	1	EA	NO LONGER AVAILABLE, Not available online / Call for pricing and availability
S	C9002188GG	O/S DOOR PANEL-*GG* (VDSC30)	1	EA	
S	C9002188LE	O/S DOOR PANEL-*LE* (VDSC30)	1	EA	NO LONGER AVAILABLE, Not available online / Call for pricing and availability
S	C9002188MJ	O/S DOOR PANEL-*MJ* (VDSC30)	1	EA	NO LONGER AVAILABLE, Not available online / Call for pricing and availability
S	C9002188SG	O/S DOOR PANEL-*SG* (VDSC30)	1	EA	NO LONGER AVAILABLE, Not available online / Call for pricing and availability
S	C9002188VB	O/S DOOR PANEL-*VB* (VDSC30)	1	EA	NO LONGER AVAILABLE
T	PE060031	J-MOLD (LARGE WINDOW)	1	EA	





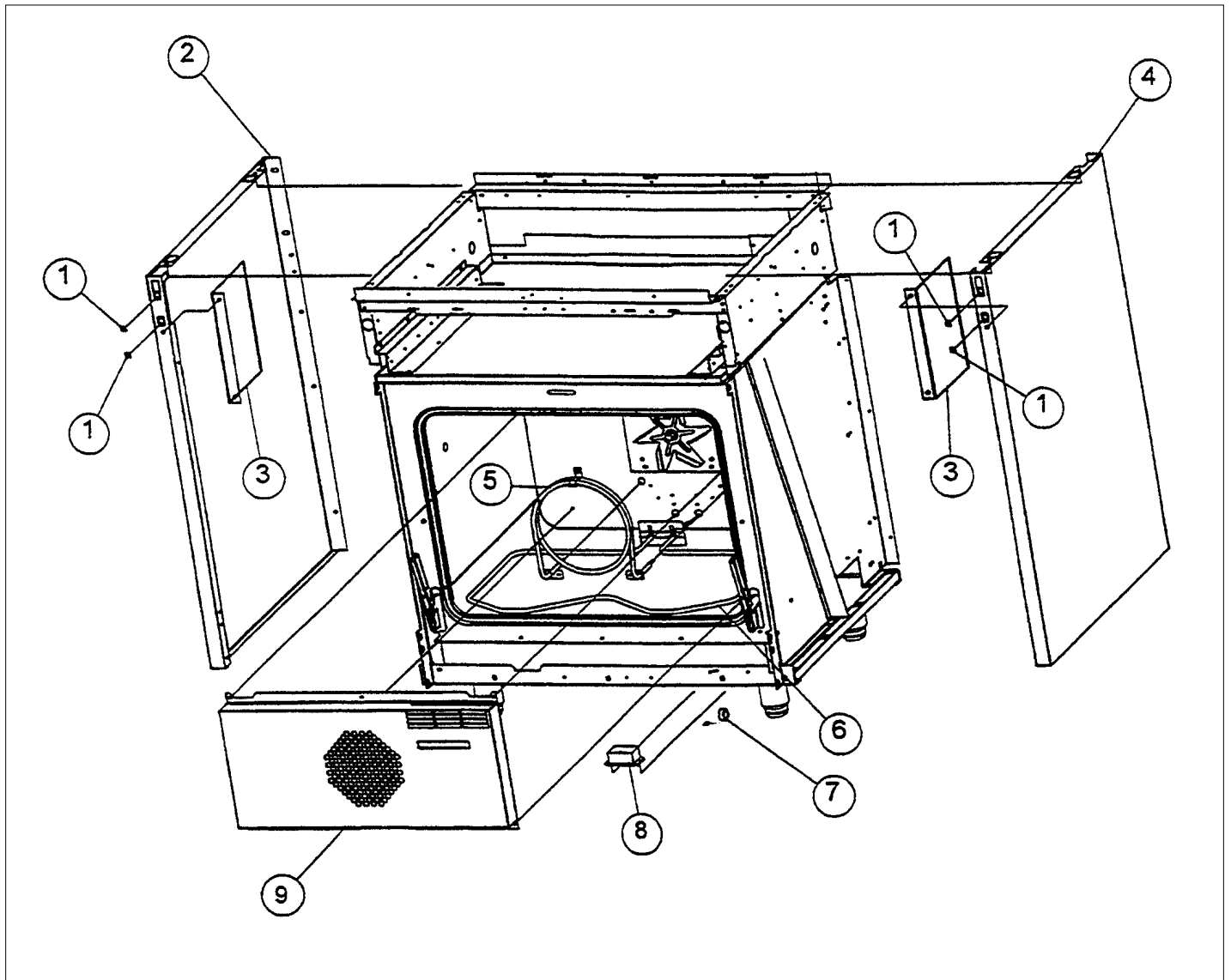
Item	Part No.	Name	Qty	Uom	NOTES
T	PE060045	J-MOLD (LARGE WINDOW) *BR*	1	EA	
U	000268-000	HANDLE ENDCAP	1	EA	
U	PE030001PVD	END CAP DOOR HANDLE *BR	1	EA	
V	PE030005	DOOR HANDLE - VGSC30/RC60/RC48RH	1	EA	
V	PE030012PVD	DOOR HANDLE - RH - (30"/48") PVD	1	EA	
W	PE010016	LOGO (ALL RANGES) *BK/CHR 307997W	1	EA	
W	PE010017	LOGO (VGSO,VEDO,VGDO,VUD) *WH/CHR	1	EA	
W	PE010079	4.5" LOGO/VIKING PROF *BK/BR	1	EA	
W	PE010080	4.5" LOGO/VIKING PROF *WH/BR	1	EA	

PANEL OVEN

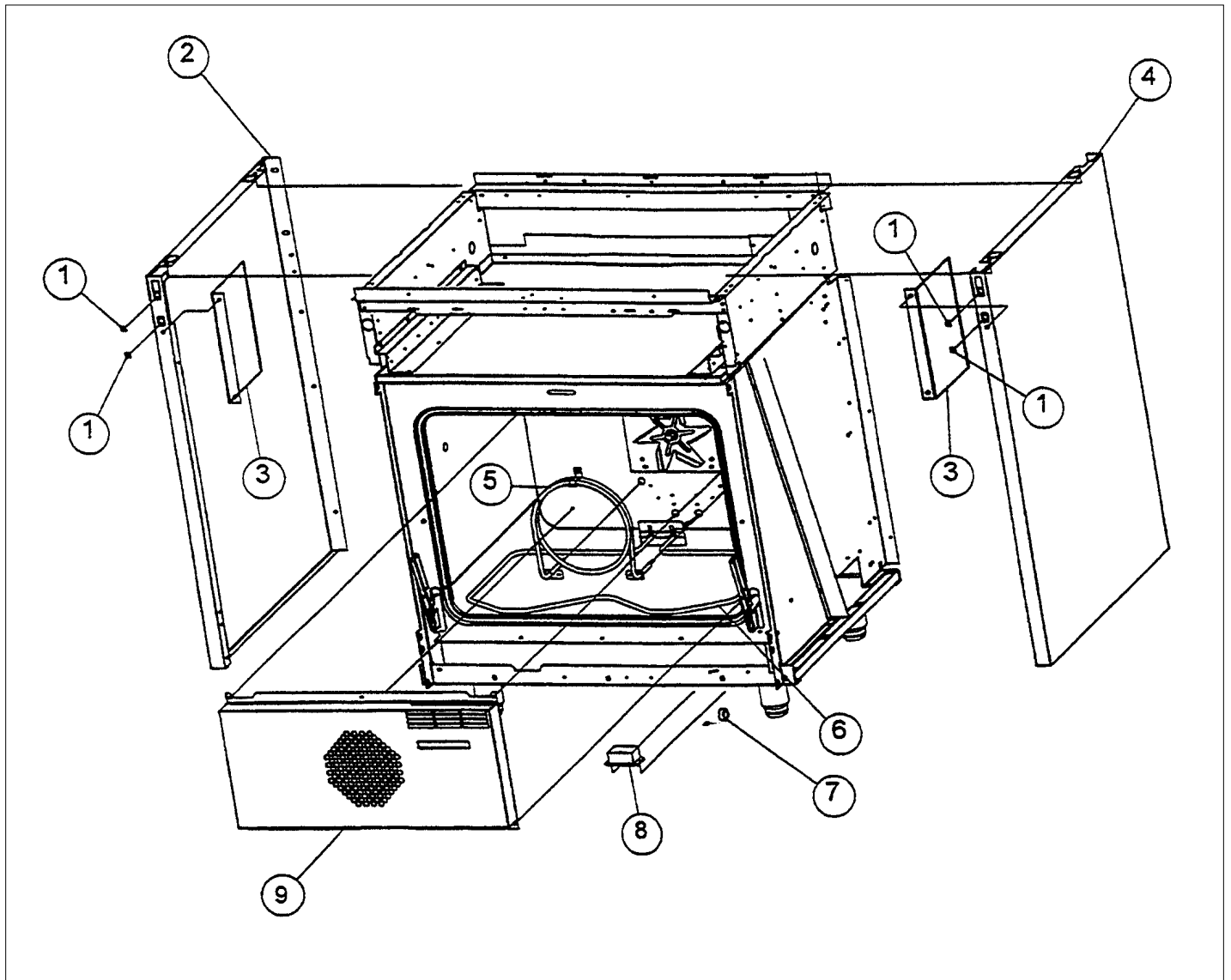




Item	Part No.	Name	Qty	Uom	NOTES
1	PD030050	10-24 CAGE NUT *SS*	1	EA	
2	B2002598	O/S BODY PANEL LH (SS)	1	EA	
2	C9002598AL	BODY PNL LH 30'REPL C9001922AL	1	EA	NO LONGER AVAILABLE, Not available online / Call for pricing and availability
2	C9002598BK	BODY PNL LH 30'REPL C9001922BK	1	EA	
2	C9002598BT	O/S BODY PANEL-LH *BT* (VDSC)	1	EA	NO LONGER AVAILABLE
2	C9002598BU	BODY PNL LH 30'REPL C9001922BU	1	EA	
2	C9002598CB	O/S BODY PANEL-LH *CB* (VDSC)	1	EA	Not available online / Call for pricing and availability
2	C9002598EP	O/S BODY PANEL-LH *EP* (VDSC)	1	EA	NO LONGER AVAILABLE, Not available online / Call for pricing and availability
2	C9002598FG	BODY PNL LH 30'REPL C9001922FG	1	EA	NO LONGER AVAILABLE, Not available online / Call for pricing and availability
2	C9002598GG	BODY PNL LH 30'REPL C9001922GG	1	EA	Not available online / Call for pricing and availability
2	C9002598LE	O/S BODY PANEL-LH *LE* (VDSC)	1	EA	NO LONGER AVAILABLE, Not available online / Call for pricing and availability
2	C9002598MJ	O/S BODY PANEL-LH *MJ* (VDSC)	1	EA	NO LONGER AVAILABLE
2	C9002598SG	O/S BODY PANEL-LH *SG* (VDSC)	1	EA	NO LONGER AVAILABLE, Not available online / Call for pricing and availability
2	C9002598VB	BODY PNL LH 30'REPL C9001922VB	1	EA	NO LONGER AVAILABLE, Not available online / Call for pricing and availability
2	C9002598WH	BODY PNL LH 30'REPL C9001922WH	1	EA	



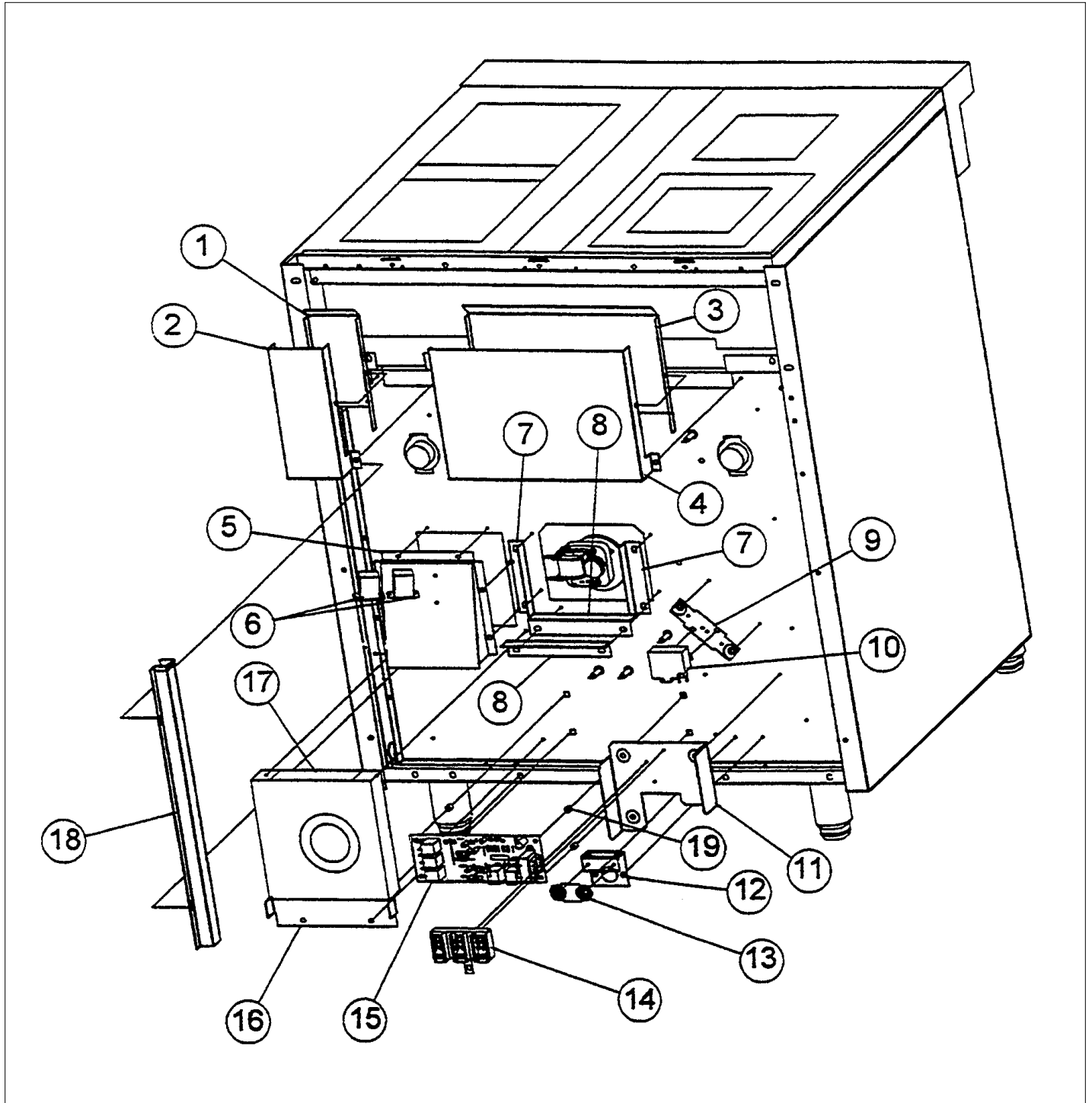
Item	Part No.	Name	Qty	Uom	NOTES
3	J2002593	Oven Side Heat Sink	1	EA	Not available online / Call for pricing and availability
4	B2002597	O/S BODY PANEL - RH (SS)	1	EA	
4	C9002597AL	O/S BODY PANEL-RH *AL* (VDSC)	1	EA	NO LONGER AVAILABLE, Not available online / Call for pricing and availability
4	C9002597BK	BODY PNL RH BK REPL C9001921BK	1	EA	
4	C9002597BT	O/S BODY PANEL-RH *BT* (VDSC)	1	EA	NO LONGER AVAILABLE
4	C9002597BU	BODY PNL RH BU REPL C9001921BU	1	EA	Not available online / Call for pricing and availability
4	C9002597CB	O/S BODY PANEL-RH *CB* (VDSC)	1	EA	NO LONGER AVAILABLE
4	C9002597EP	O/S BODY PANEL-RH *EP* (VDSC)	1	EA	NO LONGER AVAILABLE
4	C9002597FG	BODY PNL RH FG REPL C9001921FG	1	EA	NO LONGER AVAILABLE, Not available online / Call for pricing and availability
4	C9002597GG	BODY PNL RH GG REPL C9001921GG	1	EA	Not available online / Call for pricing and availability
4	C9002597LE	O/S BODY PANEL-RH *LE* (VDSC)	1	EA	
4	C9002597MJ	O/S BODY PANEL-RH *MJ* (VDSC)	1	EA	NO LONGER AVAILABLE
4	C9002597SG	O/S BODY PANEL-RH *SG* (VDSC)	1	EA	NO LONGER AVAILABLE, Not available online / Call for pricing and availability
4	C9002597VB	BODY PNL RH VB REPL C9001921VB	1	EA	
4	C9002597WH	BODY PNL RH WH REPL C9001921WH	1	EA	
5	PJ010003	CONVECTION ELEMENT (VDSC) 240V	1	EA	
6	PJ010004	BAKE ELEMENT (VDSC) 240V	1	EA	
7	PD040005	SNAP BUSHING - 7/8"	1	EA	



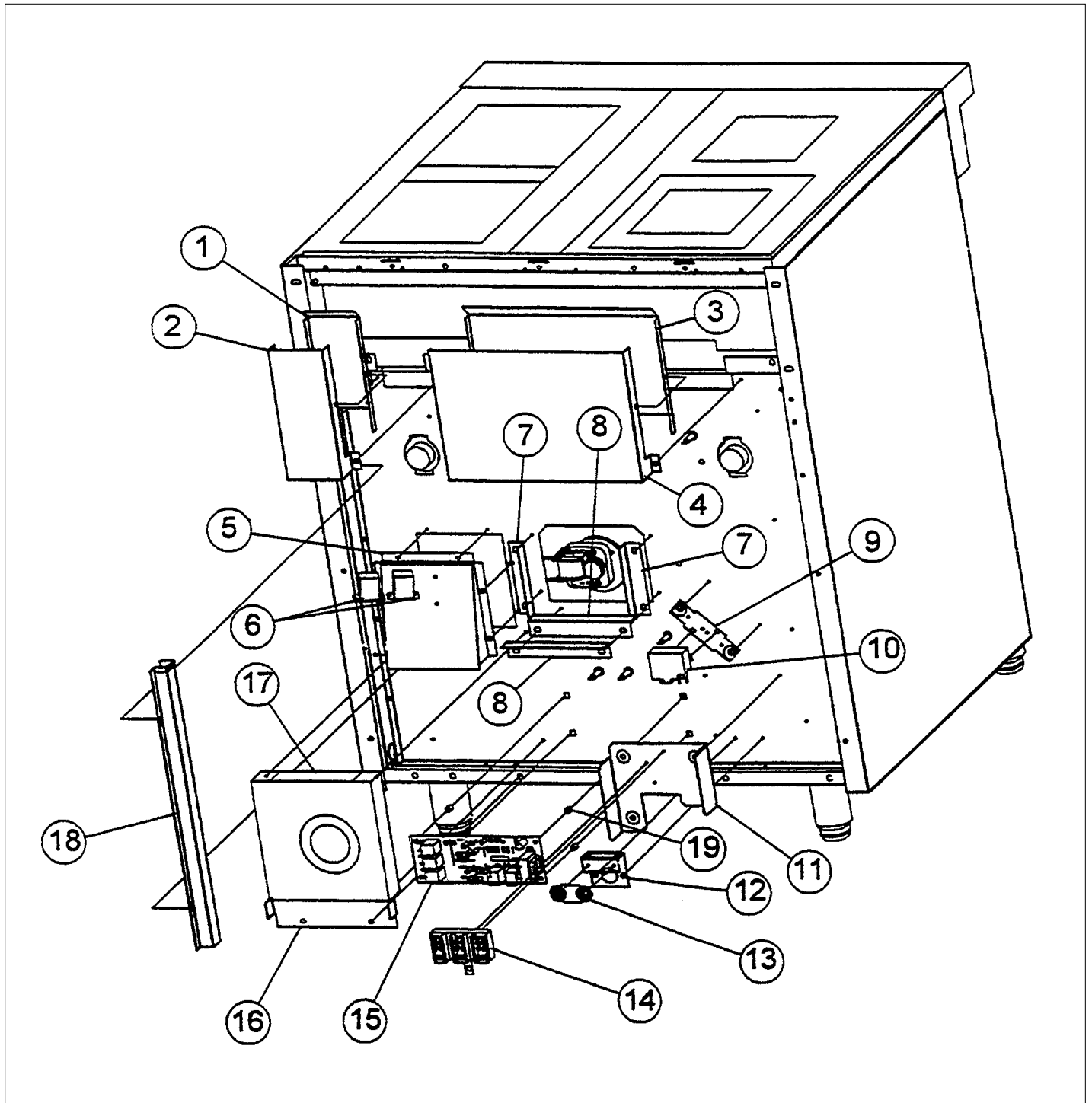


Item	Part No.	Name	Qty	Uom	NOTES
8	PM010129	RELAY	1	EA	
9	E9102170	CONVECTION FAN COVER	1	EA	
NI	PM010025	RELAY (DOUBLE POLE- DOUBLE THROW)	1	EA	

REAR PANEL ASSEMBLY



Item	Part No.	Name	Qty	Uom	NOTES
1	A2002484	AIR FLUE (VDSC)	1	EA	NO LONGER AVAILABLE, Not available online / Call for pricing and availability
2	A2002483	AIR FLUE (VDSC)	1	EA	NO LONGER AVAILABLE, Not available online / Call for pricing and availability
3	A2002486	AIR FLUE (LARGE-BACK) VDSC	1	EA	NO LONGER AVAILABLE, Not available online / Call for pricing and availability
4	A2002485	AIR FLUE (LARGE-FRONT) VDSC	1	EA	NO LONGER AVAILABLE, Not available online / Call for pricing and availability
5	A2002180	COOLING FAN HOUSING (VDSC)	1	EA	NO LONGER AVAILABLE
6	PM010025	RELAY (DOUBLE POLE-DOUBLE THROW)	1	EA	
7	A2001746	SIDE FAN SHIELD	1	EA	Not available online / Call for pricing and availability
8	A2008467	INSULATION SHIELD	1	EA	
9	A1002456	THERMO-DISC BRKT (VDSC)	1	EA	
10	PJ030002	AUTO RESET (SELF-CLEAN) VDSC	1	EA	
11	A2002193	ELECTRICAL MOUNTING BRKT (VDSC)	1	EA	NO LONGER AVAILABLE
12	A2002195	POWER CORD MOUNTING BRKT (VDSC)	1	EA	
13	A1002457	POWER CORD MOUNTING STRAP (VDSC)	1	EA	
14	PE070147	TERMINAL BLOCK (VDSC)	1	EA	
15	PE070148	SELF-CLEAN BOARD/TIMER (VDSC)	1	EA	
NI	PE070308	PRE-HEAT BOARD	1	EA	
16	A2002579	WIRE SHIELD (VDSC)	1	EA	Not available online / Call for pricing and availability
17	PE050026	COOLING FAN (VDSC)	1	EA	

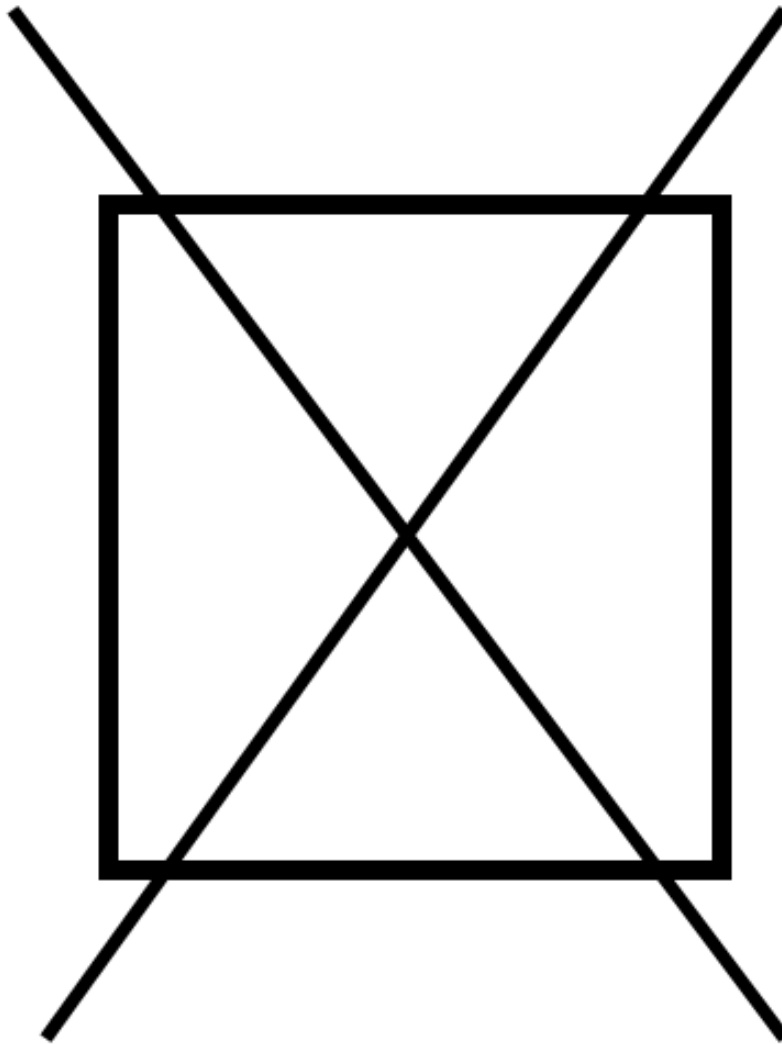






Item	Part No.	Name	Qty	Uom	NOTES
18	A2000210	WIRE CHANNEL	1	EA	NO LONGER AVAILABLE, Not available online / Call for pricing and availability
19	PD030033	GROMMET NUT-ROUND HD. #8 X .500DIA.	1	EA	

NON  
ILLUSTRATED PART



Item	Part No.	Name	Qty	Uom	NOTES
NI	PE070451	HARNESS 307-4B	1	EA	
NI	PE070145	WIRE HARNESS-6 CIRCUIT (VDSC)	1	EA	
NI	PE070173	CTRL PAN HARNESS (VESC305-4B)	1	EA	NO LONGER AVAILABLE, Not available online / Call for pricing and availability
NI	PE070174	ELEMENT HARNESS-LH (VESC305-4B)	1	EA	
NI	PE070175	ELEMENT HARNESS-RH (VESC305-4B)	1	EA	
NI	G4003006	RED - SUPPLY WIRE	1	EA	NO LONGER AVAILABLE, Not available online / Call for pricing and availability
NI	G4003009	*BK* - SUPPLY WIRE	1	EA	NO LONGER AVAILABLE, Not available online / Call for pricing and availability
NI	G4003016	GREEN - SUPPLY WIRE	1	EA	NO LONGER AVAILABLE, Not available online / Call for pricing and availability
NI	G4003017	*WH* - SUPPLY WIRE	1	EA	NO LONGER AVAILABLE, Not available online / Call for pricing and availability
NI	G4007936	HOT SURFACE LIGHT HARNESS (VESC)	1	EA	NO LONGER AVAILABLE, Not available online / Call for pricing and availability
NI	PE070779	RH 8 POS SELECTOR HARNESS	1	EA	
NI	PE070780	RH REAR SELECTOR HARNESS	1	EA	
NI	PE070781	RH MAIN OVEN HARNESS	1	EA	
NI	PE070874	VDSC305/307 WIRE HARNESS	1	EA	NO LONGER AVAILABLE
NI	PE070875	VDSC305/307 WIRE HARNESS	1	EA	NO LONGER AVAILABLE



Appendix A:Pages Index

BACKGUARD-BACK COVER ASSY ..... 1  
DRIP TRAY ASSY ..... 2  
EXTERIOR ASSY VIEW 1 ..... 3  
EXTERIOR ASSY VIEW 2 ..... 4  
EXTERIOR ASSY VIEW 3 ..... 5  
FUNCTIONAL PARTS .....6  
OVEN CAVITY (INSUL. RETNR) ASSY ..... 7  
OVEN CAVITY ASSY ..... 8  
OVEN CAVITY ASSY (TOP & BOTTOM) .....9  
OVEN DOOR ASSY ..... 10  
PANEL OVEN .....11  
REAR PANEL ASSEMBLY .....12  
WIRING ..... 13



Appendix B:Parts Index

000268-000	10	A2002485	12
000594-000	10	A2002486	12
000623-000	10	A2002490	3
031449-000	6, 9	A2002491	3
050172-000	5	A2002496	3
A1002456	9, 12	A2002497	10
A1002457	12	A2002498	10
A1002492	3	A2002499	10
A1002596	9	A2002579	12
A2000210	3, 12	A2002595	9
A2000667	3	A2002654	1
A2001160	3	A2003004	3
A2001401	3	A2003007	3
A2001746	12	A2003008	3
A2002155	7	A2003019	4
A2002156	7	A2003020	4
A2002157	7	A2006777	2
A2002158	7, 8	A2007938	4
A2002159	7	A2008467	12
A2002160	7	B2001815	4
A2002168	7	B2002167	8
A2002169	10	B2002185	8
A2002180	12	B2002188	10
A2002183	7	B2002489	8
A2002189	10	B2002589	2
A2002193	12	B2002597	11
A2002195	12	B2002598	11
A2002367	10	B2002762	5
A2002450	7	B3006772	2
A2002453	1	B92010452	5
A2002454	1	C2003001	4
A2002475	9	C9001815AL	4
A2002476	7	C9001815BK	4
A2002477	7	C9001815BT	4
A2002479	7	C9001815BU	4
A2002480	9	C9001815CB	4
A2002481	9	C9001815EP	4
A2002482	9	C9001815FG	4
A2002483	12	C9001815GG	4
A2002484	12	C9001815LE	4
		C9001815MJ	4



C9001815SG	4	C9306772PVD	2
C9001815VB	4	E9102152	8
C9001815WH	4	E9102153	8
C9002188AL	10	E9102170	11
C9002188BK	10	E9102178	10
C9002188BT	10	E9102179	10
C9002188BU	10	E9102741	8
C9002188CB	10	E9107933	5
C9002188EP	10	E9107934	5
C9002188FG	10	G3001406	5
C9002188GG	10	G3002599	2
C9002188LE	10	G3202172AL	10
C9002188MJ	10	G3202172ALBR	10
C9002188SG	10	G3202172BK	10
C9002188VB	10	G3202172BKBR	10
C9002597AL	11	G3202172BT	10
C9002597BK	11	G3202172BTBR	10
C9002597BT	11	G3202172BU	10
C9002597BU	11	G3202172BUBR	10
C9002597CB	11	G3202172CB	10
C9002597EP	11	G3202172CBBR	10
C9002597FG	11	G3202172EP	10
C9002597GG	11	G3202172EPBR	10
C9002597LE	11	G3202172FG	10
C9002597MJ	11	G3202172FGBR	10
C9002597SG	11	G3202172GG	10
C9002597VB	11	G3202172GGBR	10
C9002597WH	11	G3202172LE	10
C9002598AL	11	G3202172LEBR	10
C9002598BK	11	G3202172MJ	10
C9002598BT	11	G3202172MJBR	10
C9002598BU	11	G3202172SG	10
C9002598CB	11	G3202172SGBR	10
C9002598EP	11	G3202172SS	10
C9002598FG	11	G3202172SSBR	10
C9002598GG	11	G3202172VB	10
C9002598LE	11	G3202172VBBR	10
C9002598MJ	11	G3202172WH	10
C9002598SG	11	G3202172WHBR	10
C9002598VB	11	G3202341	1
C9002598WH	11	G4002752	2



G4003006	13	PD040004	2
G4003009	13	PD040005	11
G4003016	13	PD040028	2
G4003017	13	PD040032	4
G4007936	13	PD040033	4
G50010120	10	PE010016	10
G50010220	10	PE010017	10
G50013538	5, 6	PE010079	10
G5007437BK	4	PE010080	10
G5007437WH	4	PE020047	3
G9102736	8	PE030001PVD	10
G9102743	7	PE030005	10
J1002594	10	PE030012PVD	10
J2002593	11	PE050005	6, 9, 9
PA050086	4	PE050016	5, 6
PB010129	5	PE050017	5, 6
PB010130	5	PE050023	5
PB010132	5	PE050024	5
PB010143	5	PE050026	12
PB010144	5	PE050053	6, 9
PB010145	5	PE050077	4, 6
PB010146	5	PE060030	10
PB010209	5	PE060031	10
PB010230	5	PE060039	10
PB060030	5	PE060045	10
PB060044	5	PE070145	13
PB070034	3, 10	PE070147	6, 12
PB070076	10	PE070148	6, 12
PC020009	7	PE070152	5
PC030007	9	PE070173	13
PC030017	9	PE070174	4, 6, 13
PD010006	9	PE070175	4, 6, 13
PD010018	1	PE070308	4, 6, 12
PD020003	8, 9	PE070321	4, 6
PD020048	8	PE070451	13
PD020049	2	PE070779	13
PD030005	5	PE070780	13
PD030029	9	PE070781	13
PD030032	5	PE070786	6
PD030033	12	PE070874	13
PD030050	11	PE070875	13



PJ010001 ..... 6, 8  
PJ010002 ..... 6, 8  
PJ010003 ..... 6, 11  
PJ010004 ..... 6, 11  
PJ020003 ..... 4, 6  
PJ020004 ..... 4, 6  
PJ020005 ..... 4, 6  
PJ030001 ..... 5, 6  
PJ030002 ..... 6, 12  
PJ030003 ..... 5, 6  
PJ030005 ..... 6, 9  
PJ030006 ..... 6, 9  
PJ030007 ..... 5, 6  
PK000007 ..... 3  
PK000008 ..... 3  
PM010014 ..... 6, 7  
PM010025 ..... 6, 6, 6, 11, 12  
PM010129 ..... 11  
PS500032 ..... 5