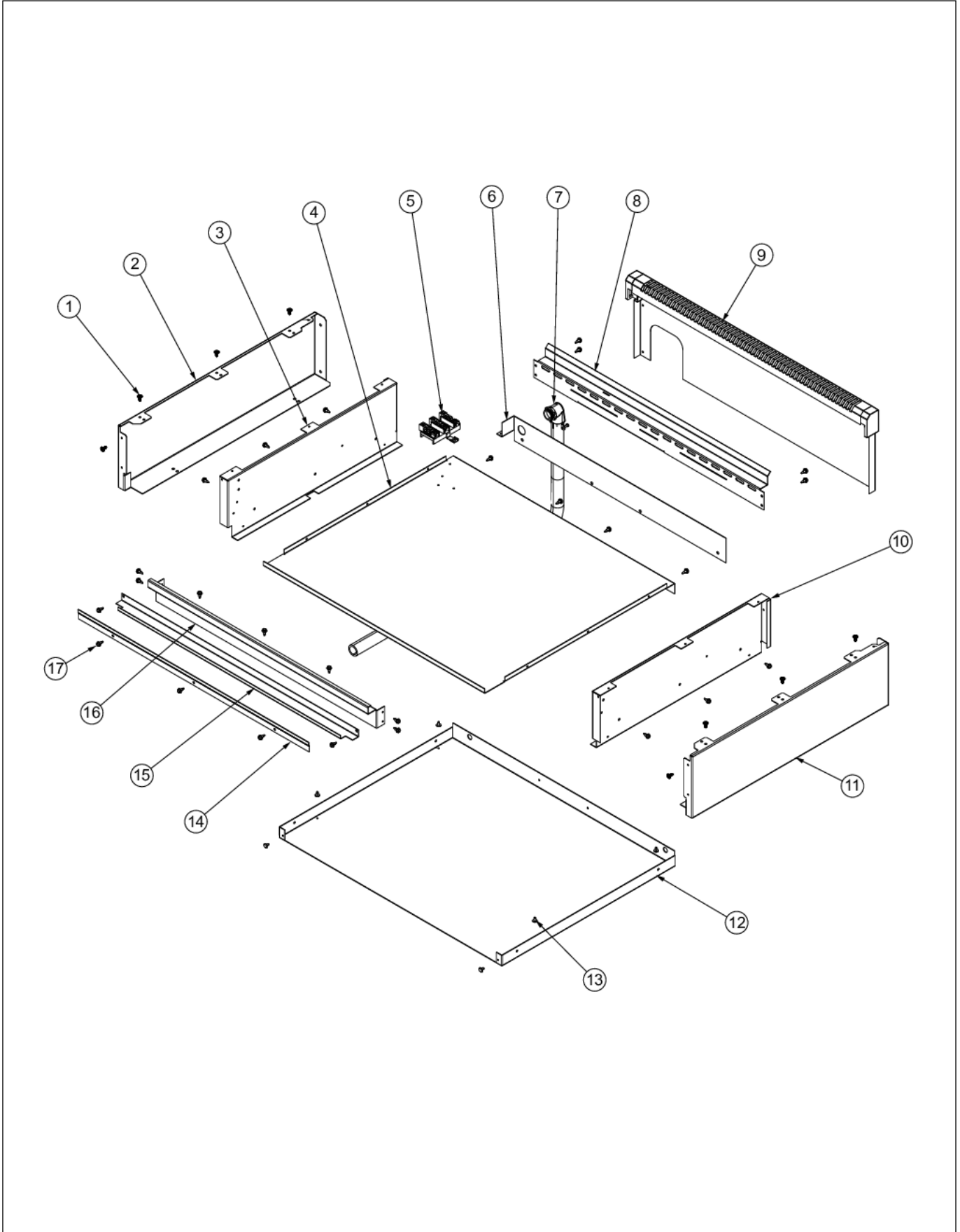


**VERT530-4B**

BURNER BOX AREA .....	1
CONTROL AREA .....	2
SURFACE COOKING AREA .....	3
Appendix A:Pages Index .....	A
Appendix B:Parts Index .....	B



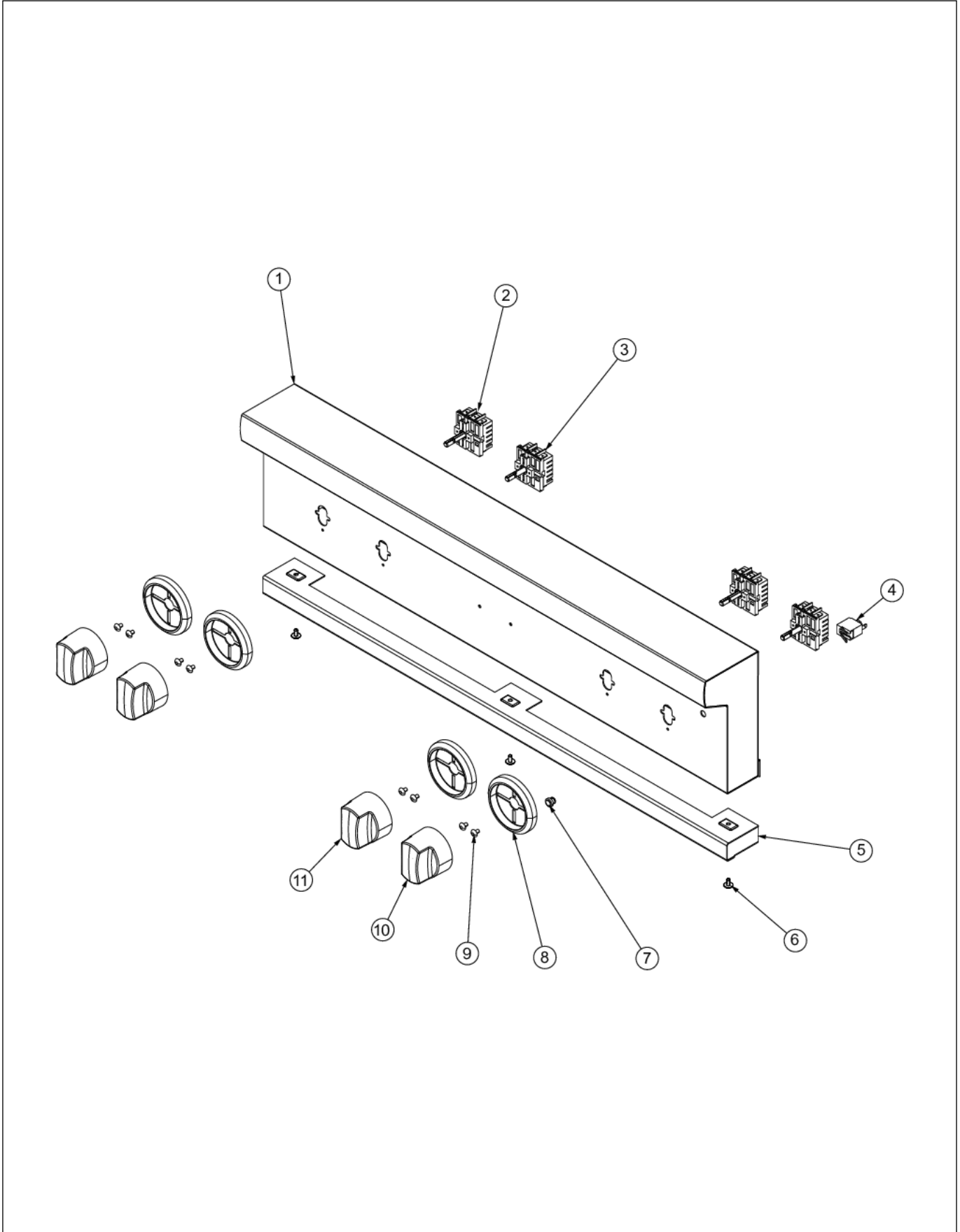
BURNER BOX AREA





Item	Part No.	Name	Qty	Uom	NOTES
1	003801-000	SHOULDER SCREW, #10	8	EA	
2	008101-000	PANEL, LH, RANGETOP	1	EA	Not available online / Call for pricing and availability
3	003481-000	BURNER BOX SIDE, LH	1	EA	
4	012664-000	PANEL, LWR, VERT530	1	EA	
5	PE070147	TERMINAL BLOCK (VDSC)	1	EA	
6	012665-000	BRACKET, MTG, CONDUIT	1	EA	
7	040189-000	CONDUIT CORD	1	EA	
8	004575-000	SUPPORT, RNG, TOP, REAR	1	EA	
9	004464-000	TRIM, IS, ASM, REDESIGN, 30"	1	EA	
Not Shown	NOTE	(BEFORE 01/17/13)		EA	
9	041445-000	TRIM, IS, ASSY, 30"	1	EA	
Not Shown	NOTE	(ON OR AFTER 01/17/13)		EA	
10	002755-000	BURNER BOX SIDE, RH	1	EA	
11	008100-000	PANEL, RH RANGETOP	1	EA	
12	012663-000	PANEL, BOT, VERT530	1	EA	
13	PD020032	SRW-8(A)X3/8"PH.WFR HD 7/16DIA*NICL	6	EA	
14	006866-000	BRACKET, SPRT, FR	1	EA	
15	004577-000	DRIP, LEDGE	1	EA	Not available online / Call for pricing and availability
16	004574-000	SUPPORT, RNG, TOP, FR	1	EA	
17	003860-000	10-18 x .500 FASTNR,SCR,HXWH,STL,ZPLT	26	EA	

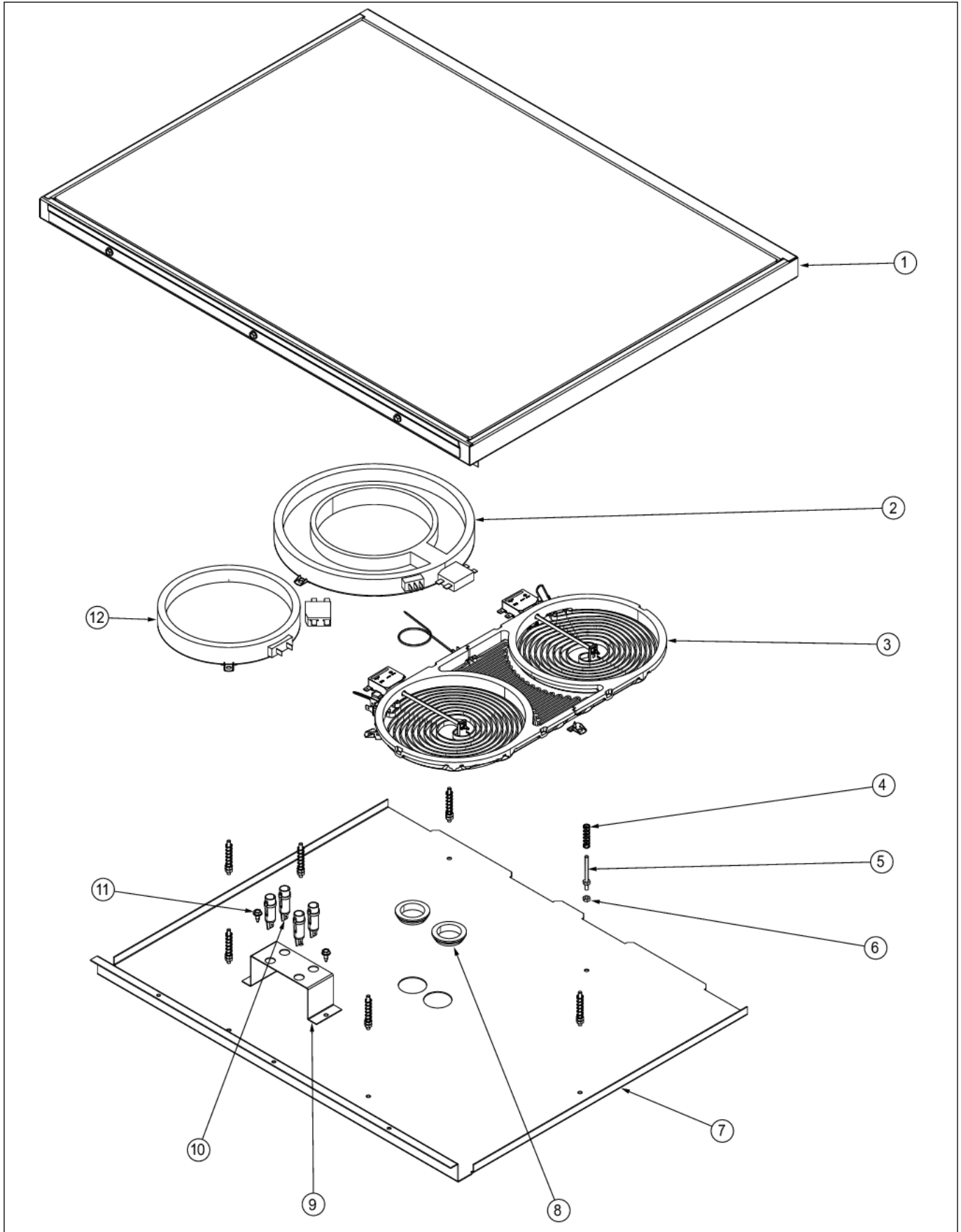
CONTROL AREA





Item	Part No.	Name	Qty	Uom	NOTES
1	067892-2100	PNL, CTRL, ASM, VERT5304B, W/GRAPHICS	1	EA	
2	005966-000	SWITCH, DUAL, INF	2	EA	
3	011444-000	SINGLE INFINITE SWITCH	2	EA	
4	PE050072	LENS OPENING	1	EA	
5	009331-000	TRIM, ASM	1	EA	
6	PD020032	SRW-8(A)X3/8"PH.WFR HD 7/16DIA*NICL	3	EA	
7	PE050023	OVEN IND. LIGHT (LENS & BEZEL)	1	EA	
8	PB010304	KNOB BEZEL	4	EA	
NI	PB010304PVD	RESTYLE KNOB BEZEL, BR	4	EA	
9	PD020044	#8-32 X 1/4" PH. TR. HD. M.S.	8	EA	
10	007045-000	KNOB, SGL, ASM, INFINITE, PVD, #3, SSS	2	EA	
NI	006102-000	SINGLE KNOB, WHITE	2	EA	Not available online / Call for pricing and availability
11	007046-000	KNOB, DUAL, ASM, INFINITE, PVD, #3, SSS	2	EA	
NI	006103-000	DUAL KNOB, WHITE	2	EA	
NI	PE010142	3" VIKING LOGO BLACK/CHROME	1	EA	
NI	PE010144	3" LOGO *WH*CHROME	1	EA	NO LONGER AVAILABLE

SURFACE COOKING AREA







Item	Part No.	Name	Qty	Uom	NOTES
1	004448-000	COOKTOP, GL, ASM, BK	1	EA	
NI	005792-000	COOKTOP, CRMC ASM, WHITE	1	EA	Not available online / Call for pricing and availability
2	008132-000	2500 (1000) W ELEMENT ASM	1	EA	
3	008134-000	4400W BRIDGE ELEMENT ASM	1	EA	
4	PC010006	GUIDE SPRING DESU	7	EA	
5	PD010148	ELEMENT STUD	7	EA	
6	PD040056	ELEMENT STUD NUT	7	EA	NO LONGER AVAILABLE
7	004576-000	PLATE, BNR, MT	1	EA	
8	PB070320	SILICONE EXTRUSION	2	EA	
9	004632-000	HOLDER, LAMP	1	EA	
10	PE050113	DECU INDICATOR LIGHT (SP-2185-BDPS)	4	EA	
11	003860-000	10-18 x .500 FASTNR,SCR,HXWH,STL,ZPLT	2	EA	
12	008133-000	1500W ELEMENT ASM	1	EA	



Appendix A:Pages Index

BURNER BOX AREA .....	1
CONTROL AREA .....	2
SURFACE COOKING AREA .....	3



Appendix B:Parts Index

002755-000 .....	1	PE010144 .....	2
003481-000 .....	1	PE050023 .....	2
003801-000 .....	1	PE050072 .....	2
003860-000 .....	1, 3	PE050113 .....	3
004448-000 .....	3	PE070147 .....	1
004464-000 .....	1		
004574-000 .....	1		
004575-000 .....	1		
004576-000 .....	3		
004577-000 .....	1		
004632-000 .....	3		
005792-000 .....	3		
005966-000 .....	2		
006102-000 .....	2		
006103-000 .....	2		
006866-000 .....	1		
007045-000 .....	2		
007046-000 .....	2		
008100-000 .....	1		
008101-000 .....	1		
008132-000 .....	3		
008133-000 .....	3		
008134-000 .....	3		
009331-000 .....	2		
011444-000 .....	2		
012663-000 .....	1		
012664-000 .....	1		
012665-000 .....	1		
040189-000 .....	1		
041445-000 .....	1		
067892-2100 .....	2		
PB010304 .....	2		
PB010304PVD .....	2		
PB070320 .....	3		
PC010006 .....	3		
PD010148 .....	3		
PD020032 .....	1, 2		
PD020044 .....	2		
PD040056 .....	3		
PE010142 .....	2		