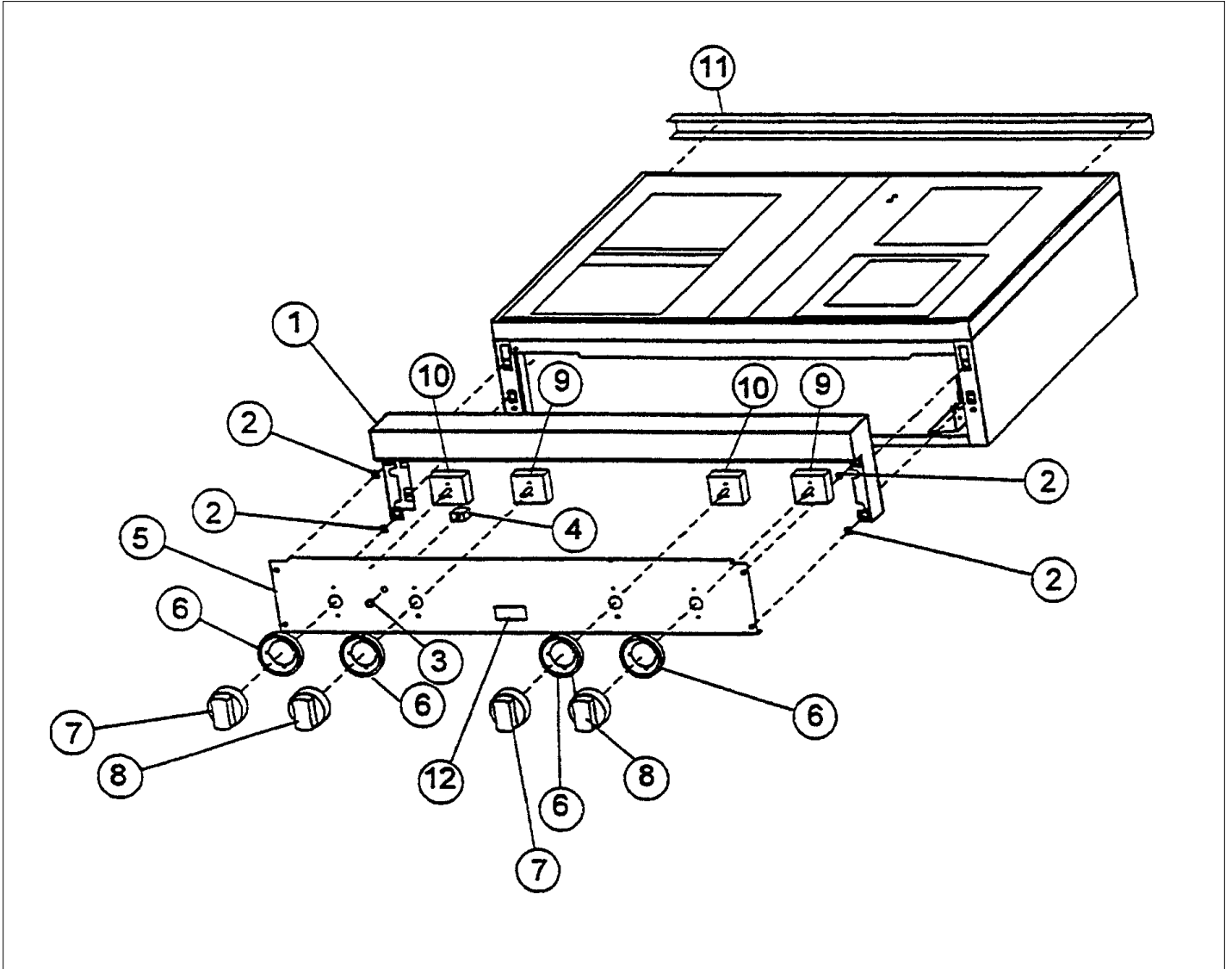


VERT301

| | |
|------------------------------|---|
| CONTROL ASSY | 1 |
| DRIP TRAY ASSY | 2 |
| EXTERIOR ASSY | 3 |
| SUBASSEMBLY | 4 |
| Appendix A:Pages Index | A |
| Appendix B:Parts Index | B |

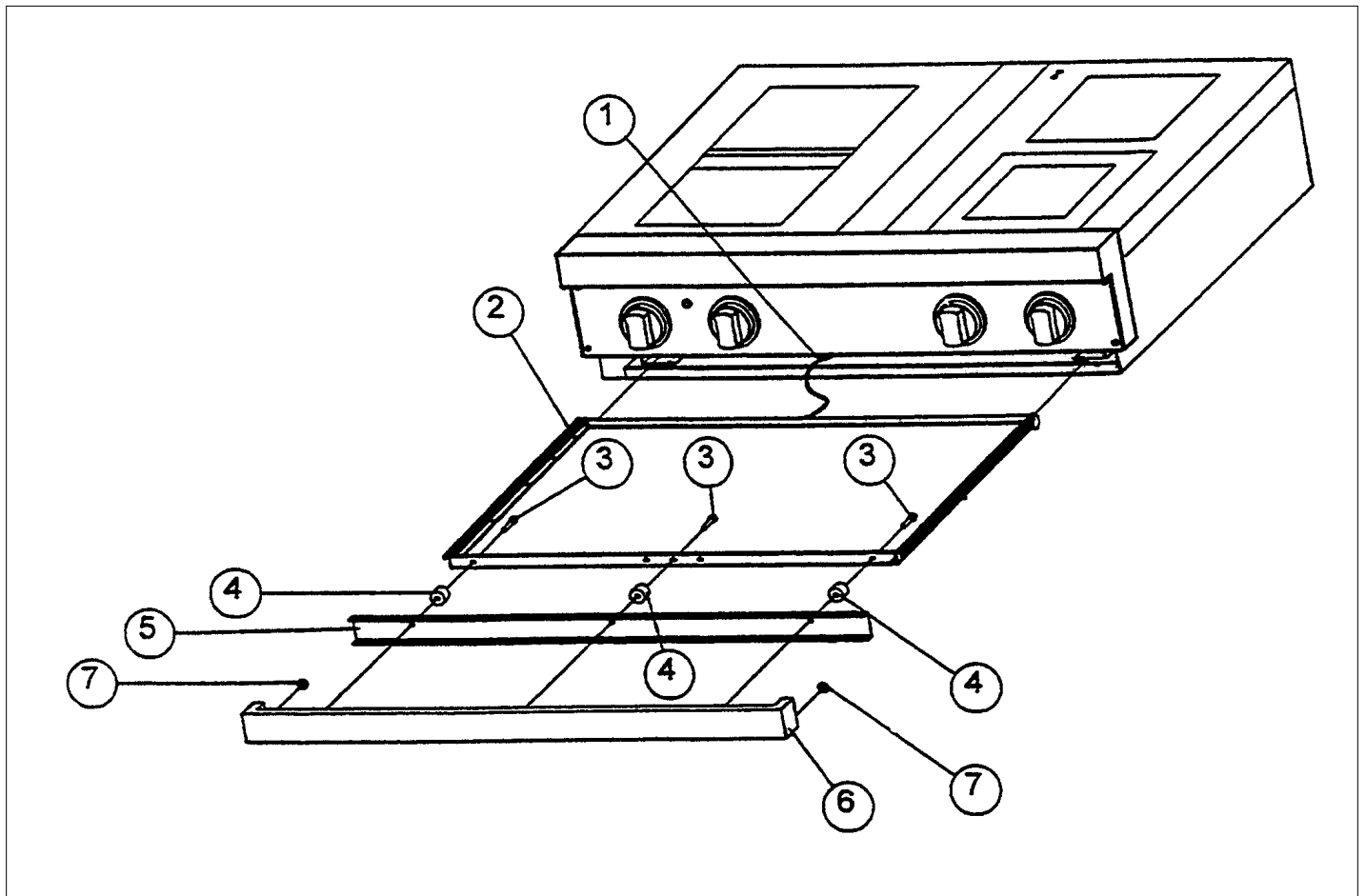
CONTROL ASSY





| Item | Part No. | Name | Qty | Uom | NOTES |
|-----------|------------|--------------------------------------|-----|-----|---|
| 1 | G3001406 | LANDING LEDGE ASSY - NLA | 1 | EA | |
| 2 | PD030050 | 10-24 CAGE NUT *SS* | 1 | EA | |
| 3 | PE050077 | INDICATOR LIGHT | 1 | EA | |
| 4 | PE050072 | LENS OPENING | 1 | EA | |
| 5 | B9202833 | CTRL PAN (VERT300-4B) *SLK SCR* | 1 | EA | |
| Not Shown | C9202833BK | CTRL PAN *BK* (VERT300-4B) *SLK | 1 | EA | NO LONGER AVAILABLE, Not available online / Call for pricing and availability |
| Not Shown | C9202833WH | CTRL PAN *WH* (VERT300-4B) *SLK S | 1 | EA | NO LONGER AVAILABLE, Not available online / Call for pricing and availability |
| 6 | 050172-000 | BEZEL, KNOB | 1 | EA | |
| Not Shown | PB010209 | Bezel - BR | 1 | EA | |
| 7 | PB010143 | KNOB-DUAL INFINITE SWITCH *BK* | 1 | EA | |
| Not Shown | PB010144 | KNOB - DUAL INFINITE SWITCH WH | 1 | EA | |
| 8 | PB010145 | KNOB - SINGLE INFINITE SWITCH BLACK | 1 | EA | |
| Not Shown | PB010146 | KNOB-SINGLE INFINITE SWITCH *WH* | 1 | EA | |
| 9 | PJ030007 | INFINITE SWITCH | 1 | EA | |
| 10 | G50013538 | PJ030027 INFINITE SWITCH SERVICE KIT | 1 | EA | |
| 11 | B2002763 | REAR FRAME TRIM (VERT) | 1 | EA | NO LONGER AVAILABLE |
| 12 | PE010142 | 3" VIKING LOGO BLACK/CHROME | 1 | EA | |
| Not Shown | PE010144 | 3" LOGO *WH*CHROME | 1 | EA | NO LONGER AVAILABLE |
| Not Shown | PE010143 | 3" LOGO BK/BR | 1 | EA | |
| Not Shown | PE010145 | LOGO - WH / BR | 1 | EA | |

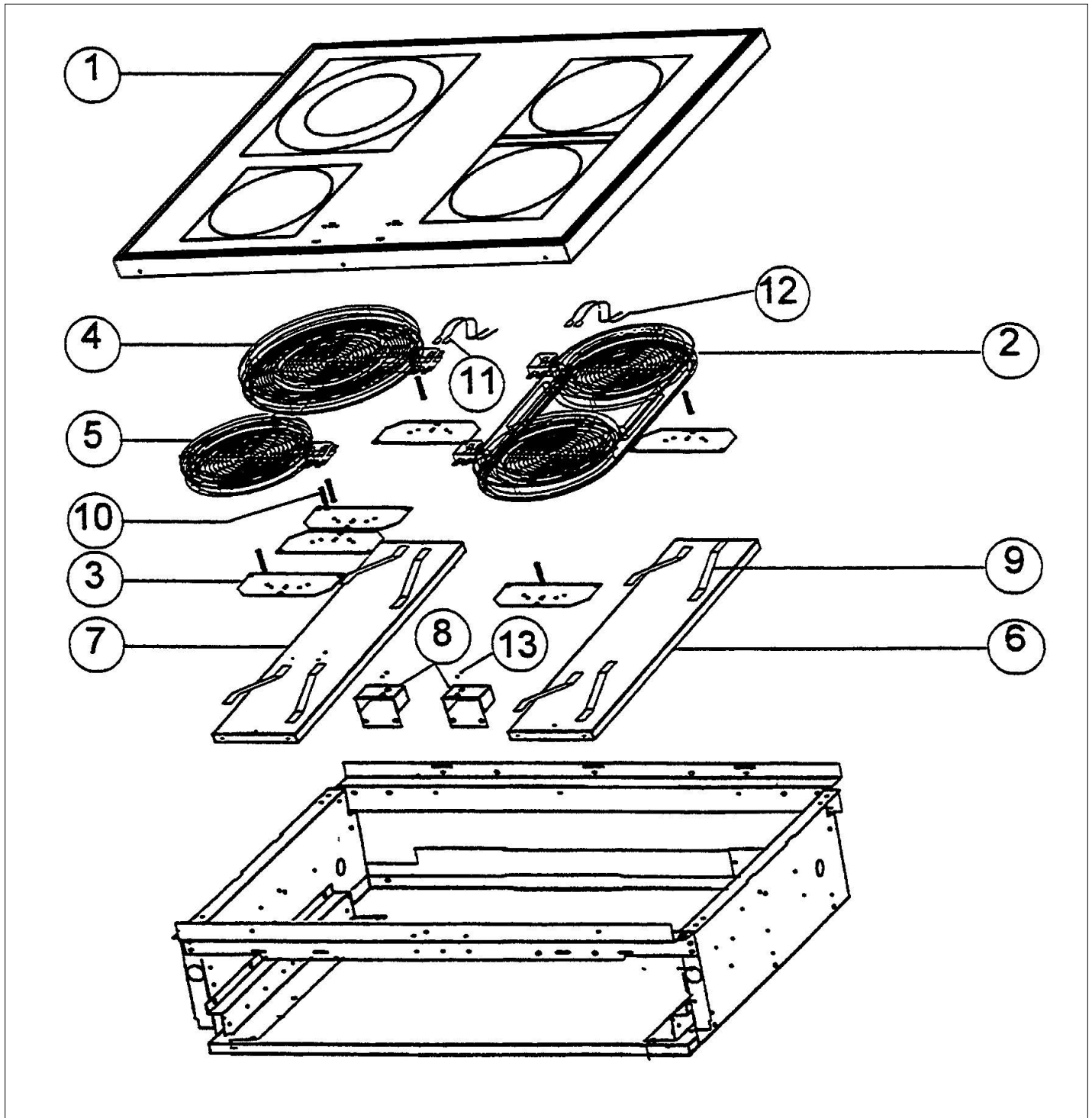
DRIP TRAY ASSY



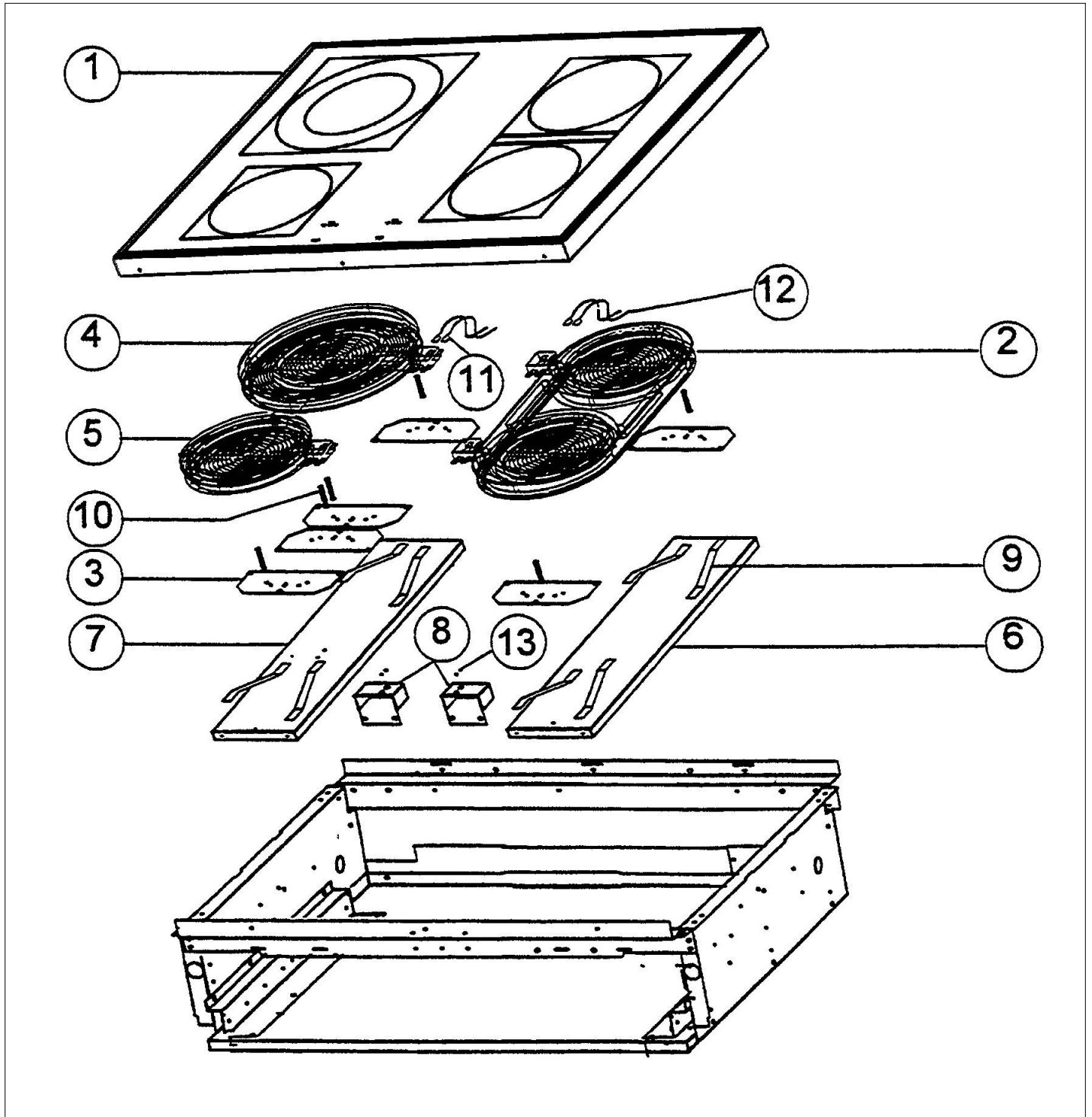


| Item | Part No. | Name | Qty | Uom | NOTES |
|--------------|--------------|-----------------------------------|-----|-----|---|
| 1 | G4002752 | DRIP TRAY GROUND WIRE (VDSC) | 1 | EA | |
| 2 | B3002766 | DRIP TRAY (W/OUT EMOSS) 30" | 1 | EA | NO LONGER AVAILABLE |
| 3 | PD020049 | #10 X 1 1/4 PH. PAN HD. T(A) | 1 | EA | |
| 4 | PD040028 | BUSHING(.194ID/.750OD/.750LONG) | 1 | EA | |
| 5 | B2002589 | DRIP TRAY HAN BACK PLATE (VDSC30) | 1 | EA | NO LONGER AVAILABLE, Not available online / Call for pricing and availability |
| 6 | G3002584 | DRIP TRAY HANDLE - SS | 1 | EA | Not available online / Call for pricing and availability |
| G930258 5PVD | G93011458PVD | DRIP TRAY HANDLE ASSY 30" PVD | 1 | EA | Not available online / Call for pricing and availability |
| 7 | PD040004 | GROMMET BUMPER | 1 | EA | |
| NI | PK000009 | Drip Tray Guide - LH | 1 | EA | |
| NI | PK000010 | RUNNER, DRIP TRAY - RH (VGRT) | 1 | EA | |

EXTERIOR ASSY



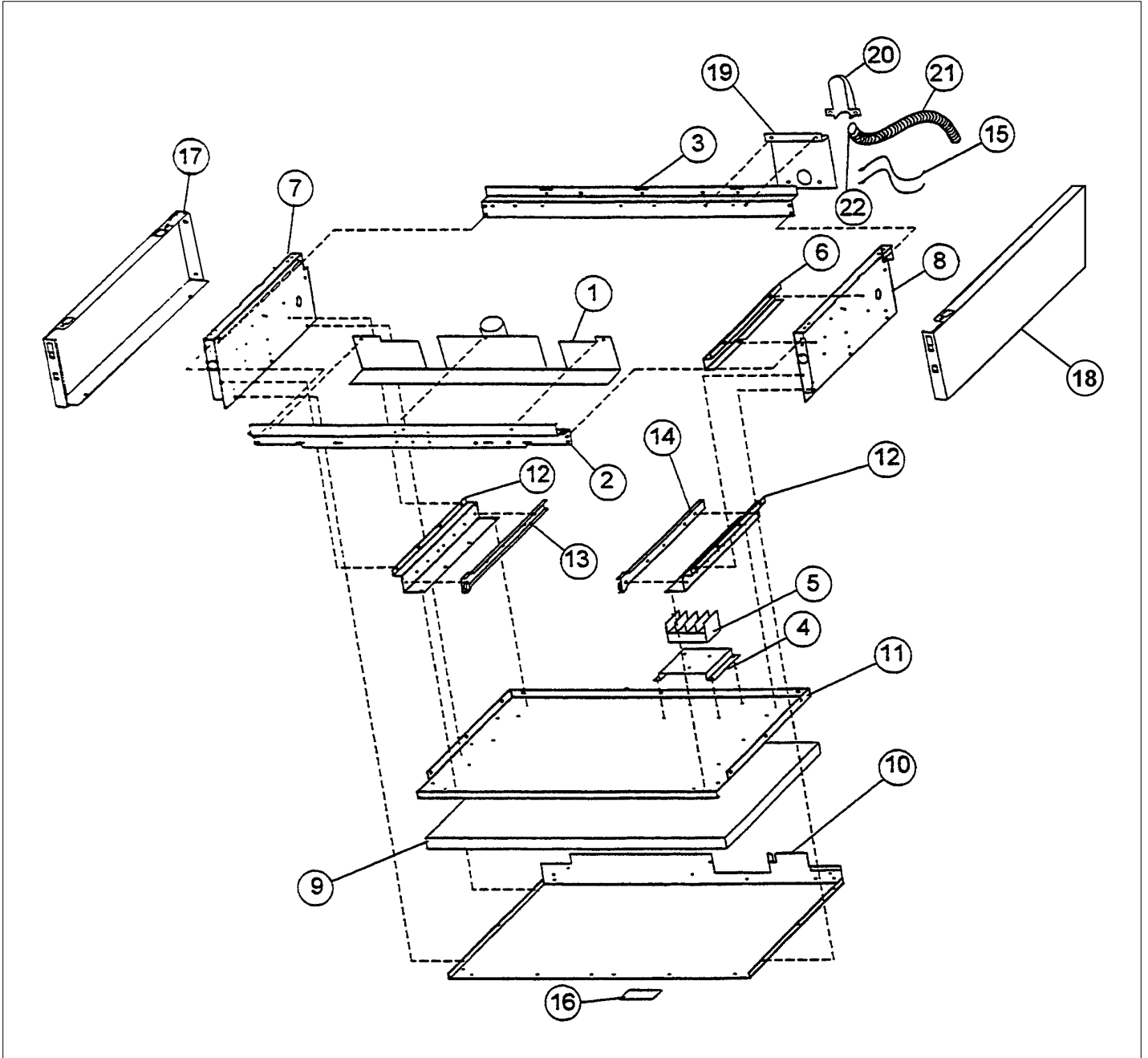
| Item | Part No. | Name | Qty | Uom | NOTES |
|--------------|--------------|---------------------------------|-----|-----|---|
| 1 | G5007437BK | CERAMIC TOP FRAME ASSY *BK* | 1 | EA | |
| Not Shown | G5007437WH | CERAMIC TOP FRAME ASSY *WH* | 1 | EA | |
| 2 | PJ020004 | ELEMENT-(2)1800 X 800 | 1 | EA | |
| 3 | PD040033 | ELEMENT SHOULDER | 1 | EA | NO LONGER AVAILABLE, Not available online / Call for pricing and availability |
| 4 | PJ020001 | ELEMENT-2400(1000) | 1 | EA | |
| 5 | PJ020003 | ELEMENT | 1 | EA | |
| 6 | A2003020 | ELEMENT SUPT RH (VESC305-4B) | 1 | EA | NO LONGER AVAILABLE, Not available online / Call for pricing and availability |
| 7 | A2003019 | ELEMENT SUPT LH (VESC305-4B) | 1 | EA | NO LONGER AVAILABLE, Not available online / Call for pricing and availability |
| 8 | A2007938 | LIGHT BRACKET | 1 | EA | NO LONGER AVAILABLE |
| 9 | C2003001 | ELEMENT SPRING (VESC305-4B) | 1 | EA | NO LONGER AVAILABLE |
| 10 | PD040032 | SPACER (VESC/VERT) (1/4 X 1/4) | 1 | EA | NO LONGER AVAILABLE, Not available online / Call for pricing and availability |
| 11 | PE070174 | ELEMENT HARNESS-LH (VESC305-4B) | 1 | EA | |
| 12 | PE070175 | ELEMENT HARNESS-RH (VESC305-4B) | 1 | EA | |
| 13 | PE050077 | INDICATOR LIGHT | 1 | EA | |
| 14 | G3002584 | DRIP TRAY HANDLE - SS | 1 | EA | Not available online / Call for pricing and availability |
| G930258 5PVD | G93011458PVD | DRIP TRAY HANDLE ASSY 30" PVD | 1 | EA | Not available online / Call for pricing and availability |
| NI | A20011466 | FALSE DRIP TRAY HANDLE BRKT. LH | 1 | EA | NO LONGER AVAILABLE |
| NI | A20011467 | FALSE DRIP TRAY HANDLE BRKT. RH | 1 | EA | NO LONGER AVAILABLE |





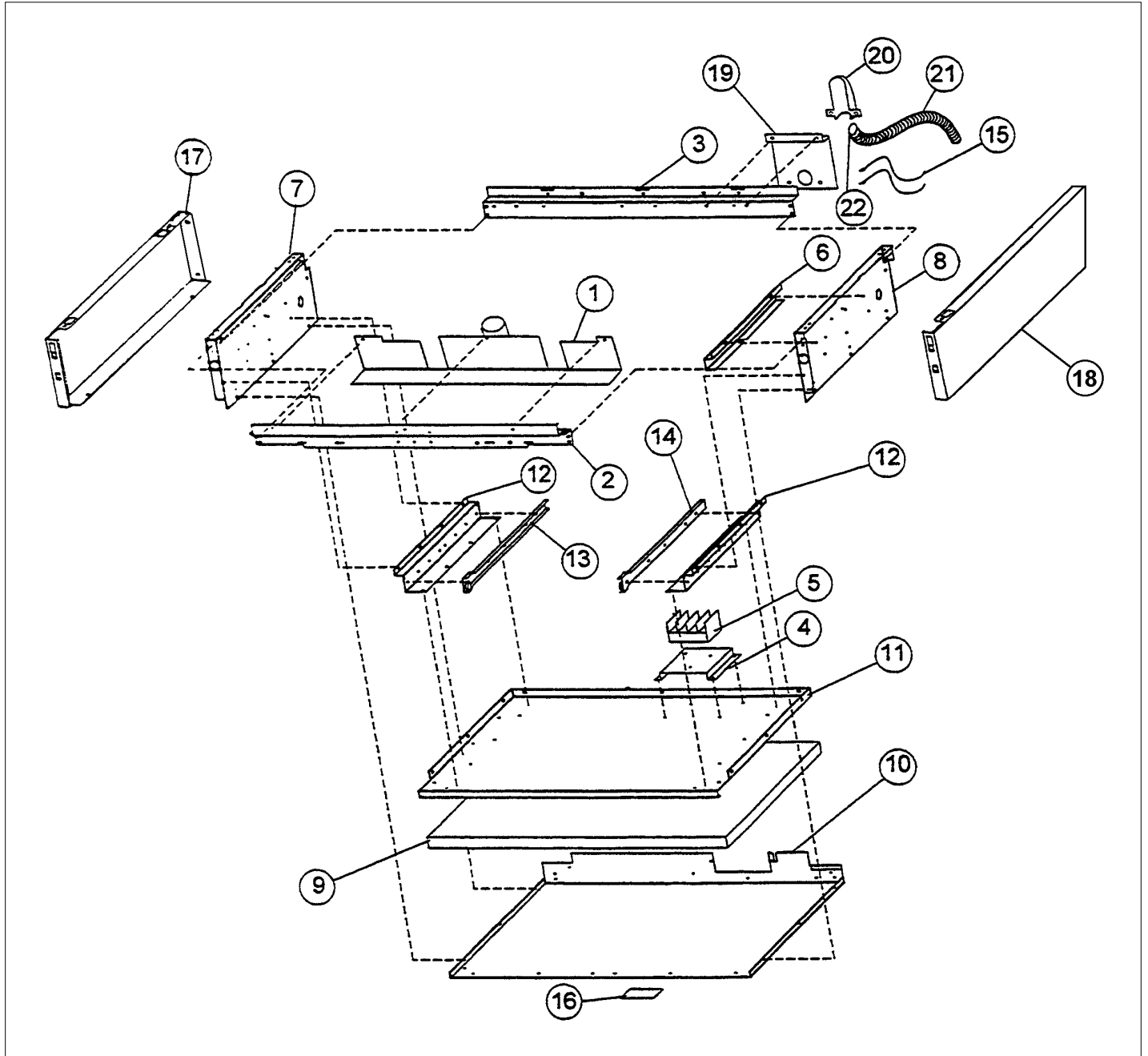
| Item | Part No. | Name | Qty | Uom | NOTES |
|------|----------|-----------------------|-----|-----|---|
| NI | A1003021 | ELEMENT BRKT | 1 | EA | NO LONGER AVAILABLE, Not available online / Call for pricing and availability |
| NI | A2007937 | LIGHT SUPPORT BRACKET | 1 | EA | NO LONGER AVAILABLE, Not available online / Call for pricing and availability |

SUBASSEMBLY





| Item | Part No. | Name | Qty | Uom | NOTES |
|-----------|------------|--|-----|-----|---|
| 1 | A2003004 | CTRL PAN SHIELD (VESC305-4B) | 1 | EA | NO LONGER AVAILABLE, Not available online / Call for pricing and availability |
| 2 | A2003007 | FRONT SUPT (VESC305-4B) | 1 | EA | |
| 3 | A2003008 | REAR SUPT (VESC305-4B) | 1 | EA | NO LONGER AVAILABLE |
| 4 | A2003002 | TERMINAL BLOCK MTG BRKT (VERT300 | 1 | EA | NO LONGER AVAILABLE, Not available online / Call for pricing and availability |
| 5 | 054135-000 | BLOCK, TERMINAL, 6-POLE (Heyco # 9454) | 1 | EA | |
| 6 | A2000210 | WIRE CHANNEL | 1 | EA | NO LONGER AVAILABLE, Not available online / Call for pricing and availability |
| 7 | A2001912 | BURNER BOX SIDE LH | 1 | EA | |
| 8 | A2001911 | BURNER BOX SIDE RH | 1 | EA | |
| 9 | PB070034 | INSULATION-TRS-10 1" X 20" X 77' ROLL | 1 | EA | |
| 10 | A2001400 | BURNER BOX BTM | 1 | EA | NO LONGER AVAILABLE, Not available online / Call for pricing and availability |
| 11 | A2001401 | INSULATION PANEL | 1 | EA | NO LONGER AVAILABLE, Not available online / Call for pricing and availability |
| 12 | A2001160 | DRIP TRAY GUIDE BRKT (VGRT) | 1 | EA | |
| 13 | PK000007 | DRIP TRAY GUIDE - LH (VGRT) | 1 | EA | NO LONGER AVAILABLE |
| 14 | PK000008 | Drip Tray Guide - RH | 1 | EA | NO LONGER AVAILABLE |
| 15 | G4003024 | TERMINAL BLOCK WIRE(VERT300)RED 12" | 1 | EA | NO LONGER AVAILABLE, Not available online / Call for pricing and availability |
| Not Shown | G4003025 | TERMINAL BLOCK WIRE*BK* (VERT300) 1 | 1 | EA | NO LONGER AVAILABLE |





| Item | Part No. | Name | Qty | Uom | NOTES |
|------|----------|----------------------------------|-----|-----|---|
| 16 | PE020088 | RATING LABEL | 1 | EA | Not available online / Call for pricing and availability |
| 17 | B2001920 | SIDE PANEL-LH (VGRT) | 1 | EA | |
| 18 | B2001919 | SIDE PANEL-RH (VGRT) | 1 | EA | |
| 19 | A2003018 | CONDUIT BRKT (VERT300) | 1 | EA | NO LONGER AVAILABLE, Not available online / Call for pricing and availability |
| 20 | PB040070 | CONDUIT FITTING (90 DEG) | 1 | EA | |
| 21 | PB020071 | CONDUIT - FLEXIBLE (48") | 1 | EA | |
| 22 | PD040034 | CONDUIT GROMMET (1/2") | 1 | EA | |
| NI | PE070276 | EVERT WIRE HARNESS | 1 | EA | NO LONGER AVAILABLE, Not available online / Call for pricing and availability |
| NI | G4003006 | RED - SUPPLY WIRE | 1 | EA | NO LONGER AVAILABLE, Not available online / Call for pricing and availability |
| NI | G4003009 | *BK* - SUPPLY WIRE | 1 | EA | NO LONGER AVAILABLE, Not available online / Call for pricing and availability |
| NI | G4003016 | GREEN - SUPPLY WIRE | 1 | EA | NO LONGER AVAILABLE, Not available online / Call for pricing and availability |
| NI | G4003017 | *WH* - SUPPLY WIRE | 1 | EA | NO LONGER AVAILABLE, Not available online / Call for pricing and availability |
| NI | G4007935 | HOT SURFACE LIGHT HARNESS (VERT) | 1 | EA | NO LONGER AVAILABLE, Not available online / Call for pricing and availability |



Appendix A:Pages Index

| | |
|----------------------|---|
| CONTROL ASSY | 1 |
| DRIP TRAY ASSY | 2 |
| EXTERIOR ASSY | 3 |
| SUBASSEMBLY | 4 |



Appendix B:Parts Index

| | | | |
|------------|------|--------------|------|
| 050172-000 | 1 | G5007437BK | 3 |
| 054135-000 | 4 | G5007437WH | 3 |
| A1003021 | 3 | G93011458PVD | 2, 3 |
| A2000210 | 4 | PB010143 | 1 |
| A20011466 | 3 | PB010144 | 1 |
| A20011467 | 3 | PB010145 | 1 |
| A2001160 | 4 | PB010146 | 1 |
| A2001400 | 4 | PB010209 | 1 |
| A2001401 | 4 | PB020071 | 4 |
| A2001911 | 4 | PB040070 | 4 |
| A2001912 | 4 | PB070034 | 4 |
| A2003002 | 4 | PD020049 | 2 |
| A2003004 | 4 | PD030050 | 1 |
| A2003007 | 4 | PD040004 | 2 |
| A2003008 | 4 | PD040028 | 2 |
| A2003018 | 4 | PD040032 | 3 |
| A2003019 | 3 | PD040033 | 3 |
| A2003020 | 3 | PD040034 | 4 |
| A2007937 | 3 | PE010142 | 1 |
| A2007938 | 3 | PE010143 | 1 |
| B2001919 | 4 | PE010144 | 1 |
| B2001920 | 4 | PE010145 | 1 |
| B2002589 | 2 | PE020088 | 4 |
| B2002763 | 1 | PE050072 | 1 |
| B3002766 | 2 | PE050077 | 1, 3 |
| B9202833 | 1 | PE070174 | 3 |
| C2003001 | 3 | PE070175 | 3 |
| C9202833BK | 1 | PE070276 | 4 |
| C9202833WH | 1 | PJ020001 | 3 |
| G3001406 | 1 | PJ020003 | 3 |
| G3002584 | 2, 3 | PJ020004 | 3 |
| G4002752 | 2 | PJ030007 | 1 |
| G4003006 | 4 | PK000007 | 4 |
| G4003009 | 4 | PK000008 | 4 |
| G4003016 | 4 | PK000009 | 2 |
| G4003017 | 4 | PK000010 | 2 |
| G4003024 | 4 | | |
| G4003025 | 4 | | |
| G4007935 | 4 | | |
| G50013538 | 1 | | |