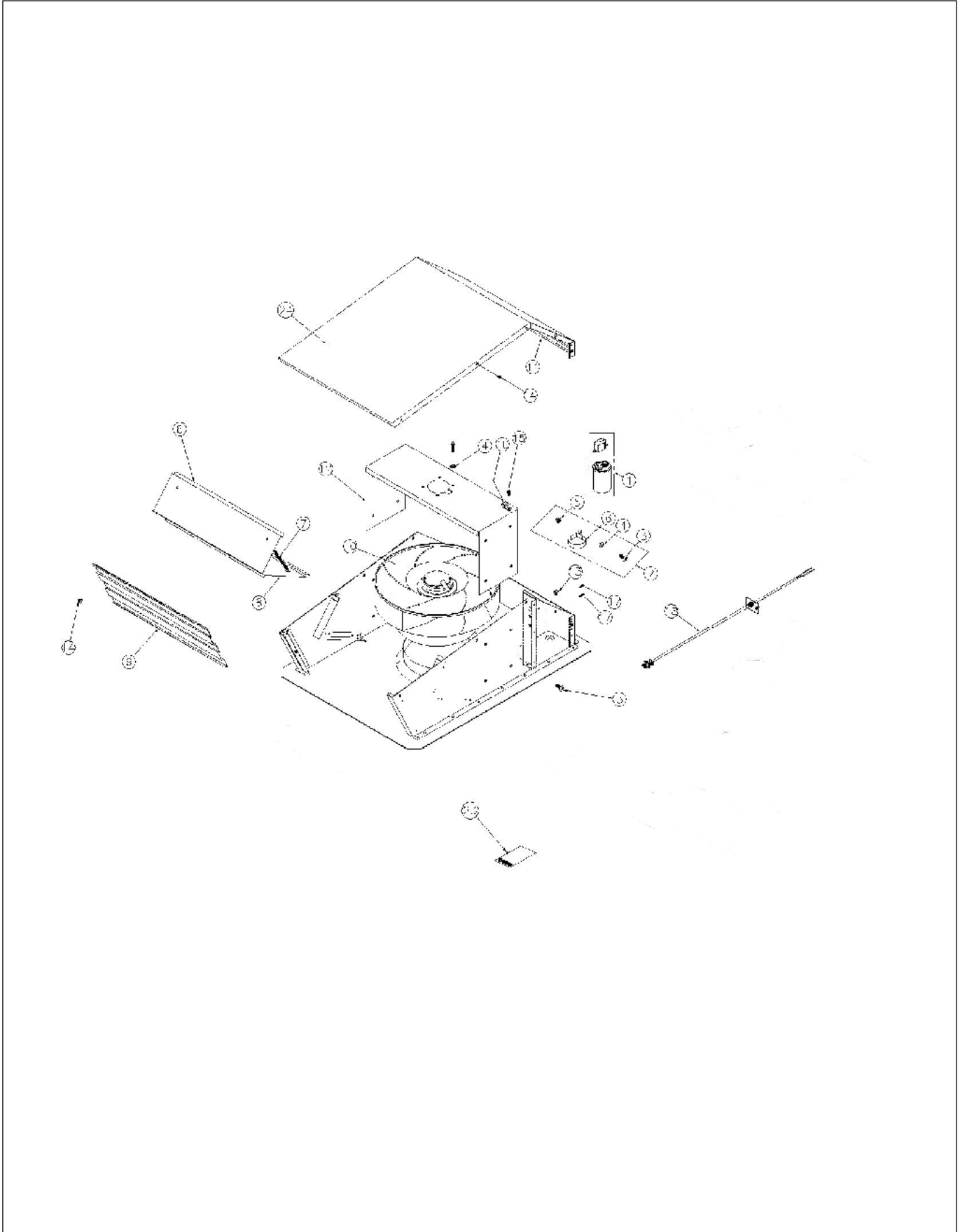


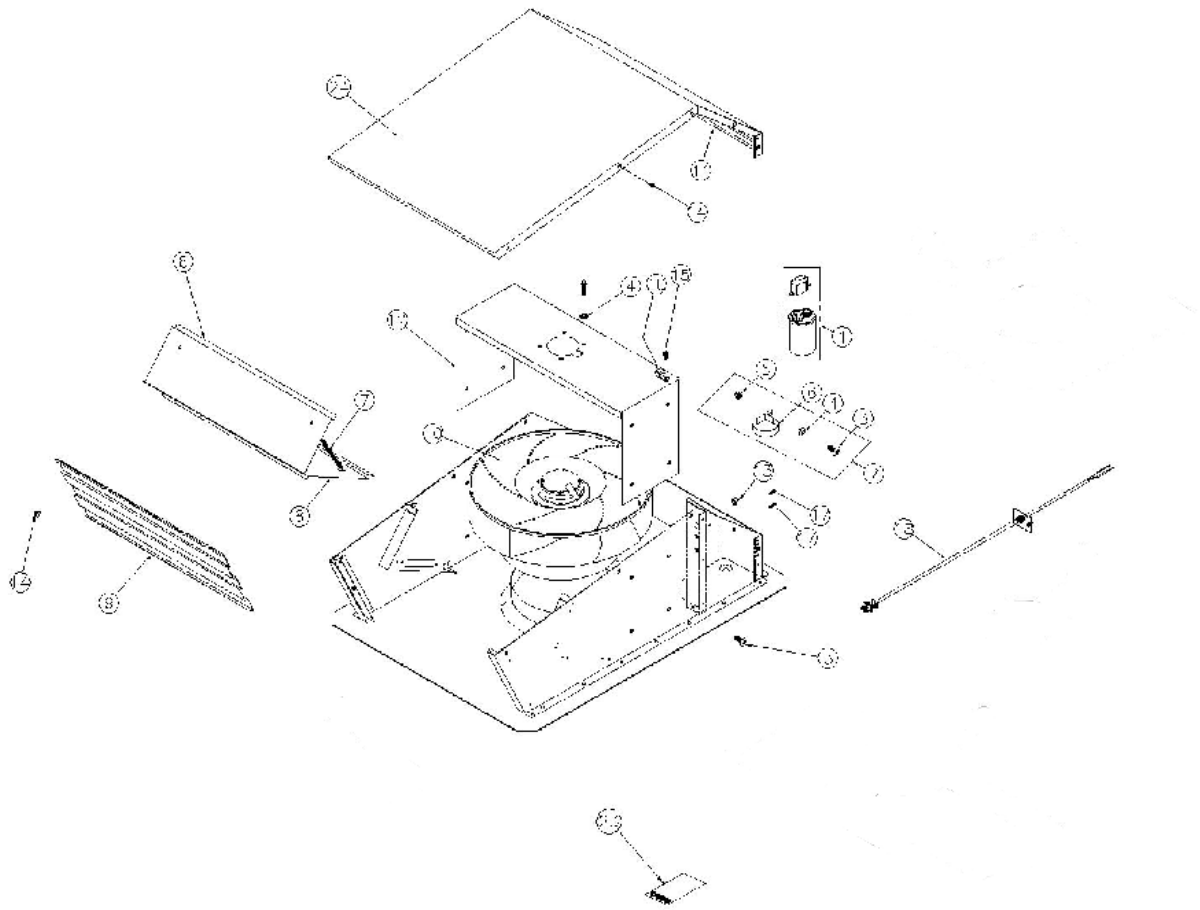
VEDV1200

UNIT COMPONENTS	1
Appendix A:Pages Index	A
Appendix B:Parts Index	B

UNIT COMPONENTS



Item	Part No.	Name	Qty	Uom	NOTES
1	PV300143	CAPACITOR CLAMP VEDV900	1	EA	
2	PV300146	INSTALLATION HARDWARE	1	EA	
3	PV300047	AIR BOX ASSEMBLY	1	EA	
4	PV300042	SCREW, 12-24 X /312 SLT HWH #2	1	EA	NO LONGER AVAILABLE, Not available online / Call for pricing and availability
5	PV300045	GROUND SCREW	9	EA	NO LONGER AVAILABLE
6	PV300038	SPLIT BUSHING	1	EA	Not available online / Call for pricing and availability
7	PV300031	GRILLE	1	EA	NO LONGER AVAILABLE
8	PV300066	CAPACITOR VEDV1200	1	EA	
9	PV300032	GRILLE	1	EA	Not available online / Call for pricing and availability
10	PV300138	SPACER RING VEDV1200	1	EA	
11	PV300028	MOTOR SUPPORT	1	EA	NO LONGER AVAILABLE
12	PV300029	DAMPER FLAP	1	EA	
13	PV300039	SCREW, 8-18 X 3/8 PH TR HD	1	EA	NO LONGER AVAILABLE
14	PV300040	SCREW, M6 X 1-16	12	EA	NO LONGER AVAILABLE
15	PV300043	CORD CLAMP	1	EA	NO LONGER AVAILABLE, Not available online / Call for pricing and availability
16	PV300044	NUT WHIZ 1/4-20	1	EA	
17	PV300046	1/4-20 X 1/2 SCREW	1	EA	
19	PS200021	AIRBOX FRONT	1	EA	NO LONGER AVAILABLE, Not available online / Call for pricing and availability
23	PV300154	DNDFT FLTR KT 97015504 RE	1	EA	
24	031114-001	COVER WITH FOAM SEAL	1	EA	Not available online / Call for pricing and availability





VEDV1200

Item	Part No.	Name	Qty	Uom	NOTES
NI	PV300137	BLOWER MOTOR VEDV1200	1	EA	



Appendix A:Pages Index

UNIT COMPONENTS 1



Appendix B:Parts Index

031114-001 1
PS200021 1
PV300028 1
PV300029 1
PV300031 1
PV300032 1
PV300038 1
PV300039 1
PV300040 1
PV300042 1
PV300043 1
PV300044 1
PV300045 1
PV300046 1
PV300047 1
PV300066 1
PV300137 1
PV300138 1
PV300143 1
PV300146 1
PV300154 1