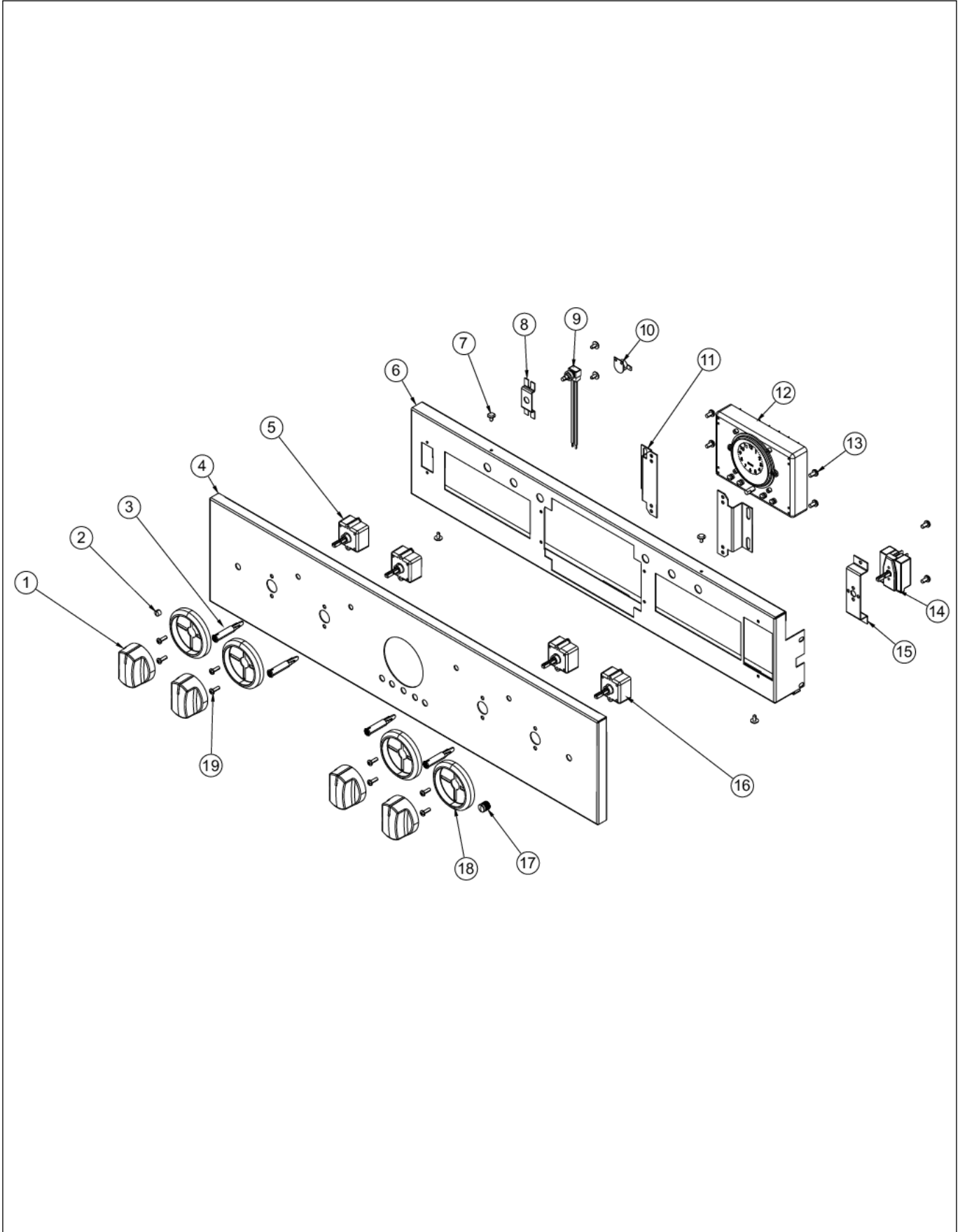


VEDO5302

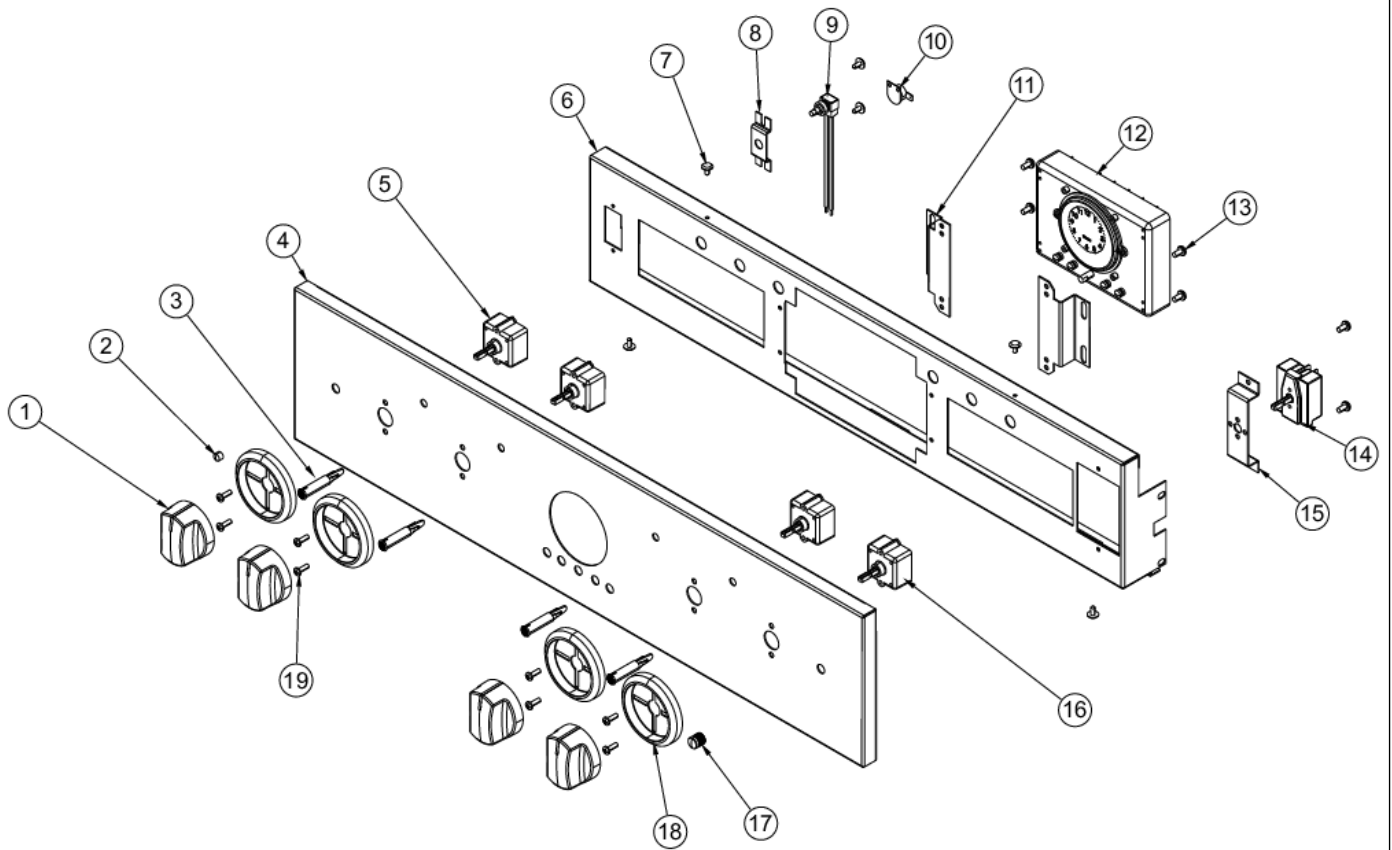
CONTROL AREA	1
LOWER DOOR ASSEMBLY	2
LOWER OVEN CAVITY	3
LOWER UNIT AND SIDE TRIM	4
MIDDLE EXTERIOR AREA	5
UPPER DOOR ASSEMBLY	6
UPPER EXTERIOR AREA	7
UPPER OVEN CAVITY	8
WIRING	9
Appendix A:Pages Index	A
Appendix B:Parts Index	B

CONTROL AREA





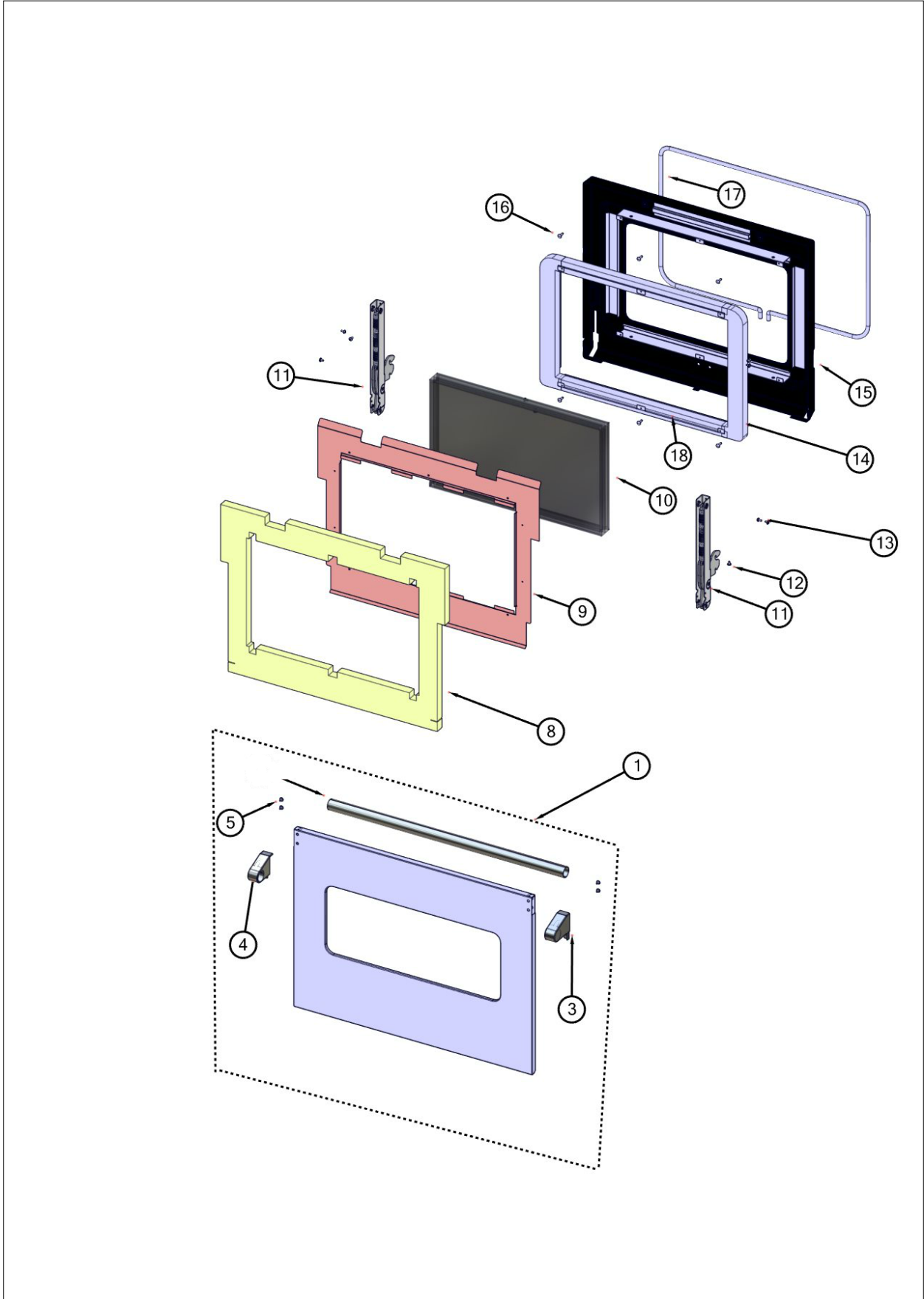
Item	Part No.	Name	Qty	Uom	NOTES
1	015662-000	KNOB, OVEN ASM, SS	4	EA	
Comments for Part Num. 015662-000					
tom@gerhardsappliance.com on Nov 15, 2016					
Sub to 036330-000 for silver colored SS knobs, listed part has a bronze shade.					
2	PA010093	DESIGNER OVEN LT SWITCH KNOB	1	EA	
3	015043-000	INDICATOR, LIGHT, BLUE LED	4	EA	
4	025101-2295	30" DBL SELECT CONTROL PANEL W/GRAPHICS	1	EA	
Not Shown	NOTE	(BEFORE 05/16/12		EA	
4	035976-2295	PNL, CTRL, ASM W/GRAPHICS, DBL TIMEPIECE 30"	1	EA	
Not Shown	NOTE	(ON OR AFTER 05/16/12)		EA	
Not Shown	NOTE	MUST ORDER ITEM #8 WITH PANEL		EA	
5	PJ030033	SELECTOR (10 POS)	2	EA	
6	024774-000	PANEL, CONTROL MOUNTING	1	EA	
7	PD020032	SRW-8(A)X3/8"PH.WFR HD 7/16DIA*NICL	6	EA	
8	024810-000	BRACKET, LIGHT SW	1	EA	
Not Shown	NOTE	(BEFORE 09/19/13)		EA	
8	036576-000	LIGHT SWITCH HOLDER W/DOUBLE SIDED TAPE	1	EA	
Not Shown	NOTE	(ON OR AFTER 09/19/13)		EA	
9	G40015469	DESIGNER OVEN LIGHT SWITCH	1	EA	
10	PJ030043	BI-METAL THERMOSTAT	1	EA	
11	025100-000	BRACKET, CLOCK, TKJ	2	EA	
12	PE050140	ANALOG CLOCK 220V 50/60H	1	EA	
13	PD020004	10X3/8PH.HD.TYPE 25 REPL PD040125	6	EA	
14	PJ030036	3 POSITION SELECTOR SWITCH	1	EA	
15	025142-000	BRACKET, SEL, SINGLE	1	EA	





Item	Part No.	Name	Qty	Uom	NOTES
16	PJ030035	THERMOSTAT	2	EA	
<p>Comments for Part Num. PJ030035</p> <p>parts@lvdistributes.com on Feb 7, 2018 this is not the correct part for this range it should be a 003225-000 Reply by JREXEC02@AOL.COM on Feb 27, 2018 003225-000 is an Induction Control.</p> <p>PJ030035 is the red colored thermostat for the Gas Range *****</p>					
17	PA010192	DES. MANUAL TIME KNOB	1	EA	
18	050172-000	KNOB BEZEL	4	EA	
19	PB010304PVD	RESTYLE KNOB BEZEL, BR	4	EA	
19	PD020261	#8-32X1/2" PH PANHEAD MACH. SCREW	8	EA	

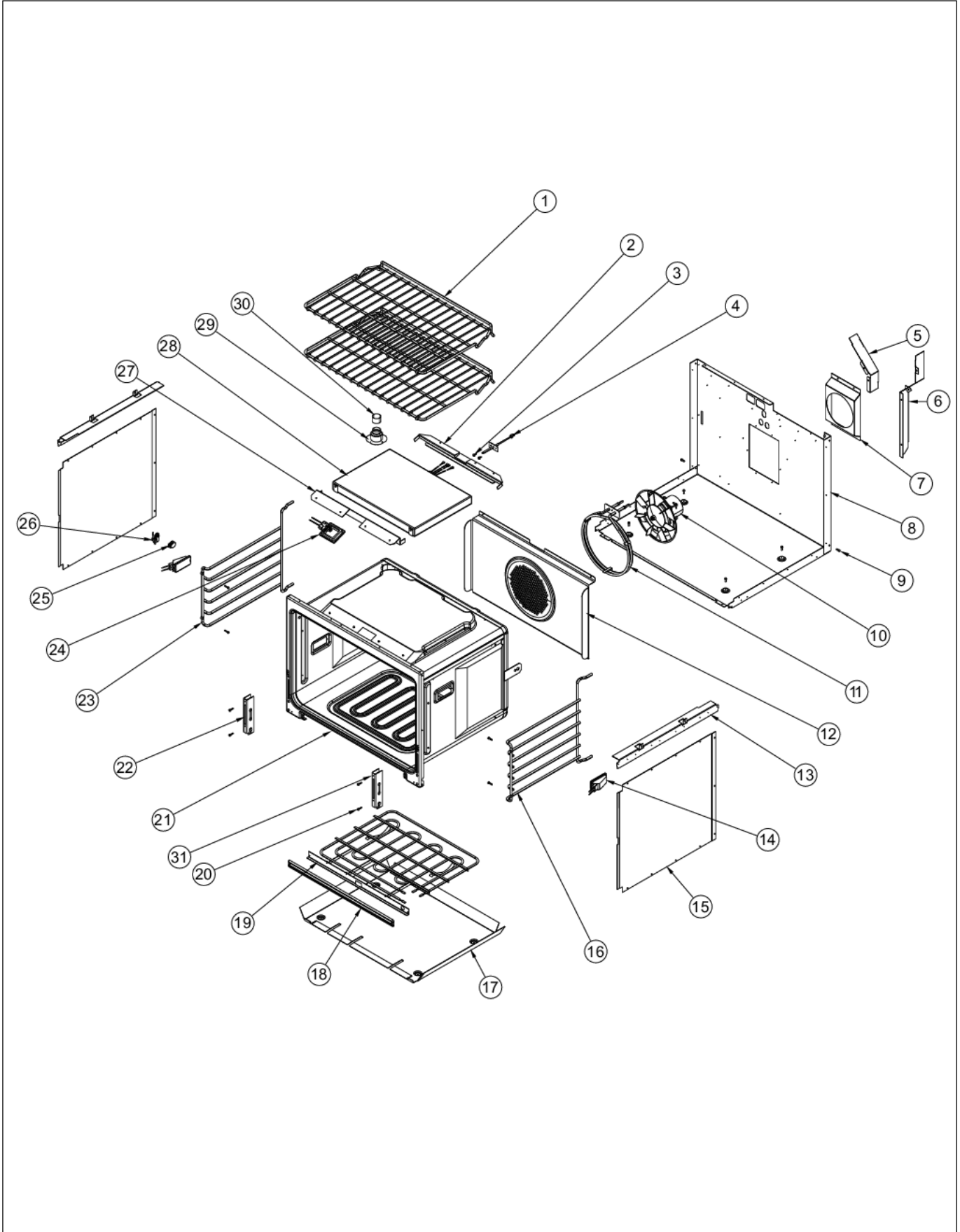
LOWER DOOR ASSEMBLY



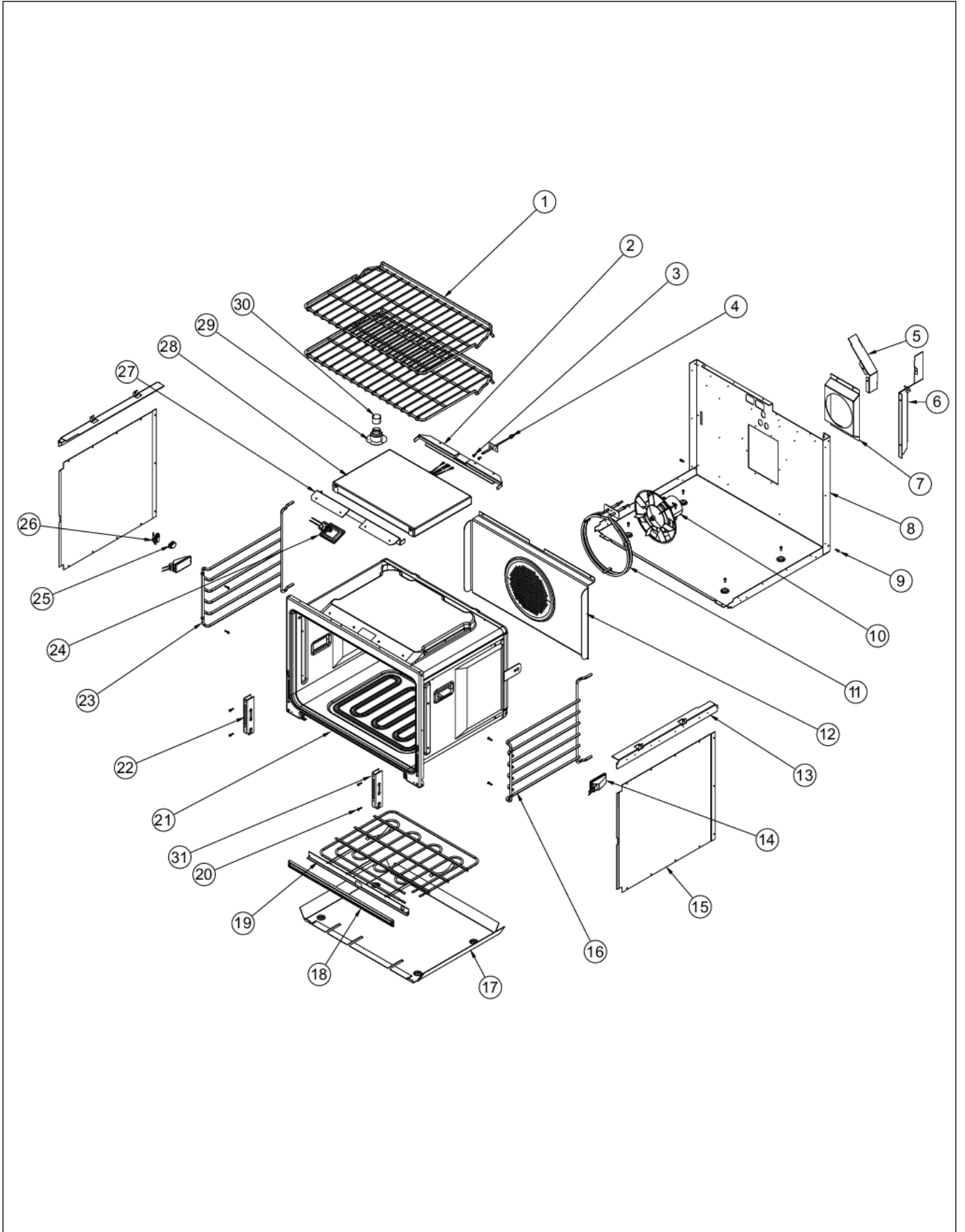


Item	Part No.	Name	Qty	Uom	NOTES
1	024996-000	30" DOOR PANEL ASM, W/O LOGO	1	EA	
1	025513-002	30" DOOR PANEL ASM, W/O LOGO, DCBZ BK	1	EA	
1	025513-005	30" DOOR PANEL ASM, W/O LOGO, DCBZ GG	1	EA	
1	025513-006	30" DOOR PANEL ASM, W/O LOGO, DCBZ WH	1	EA	
1	025513-008	30" DOOR PANEL ASM, W/O LOGO, DCBZ BU	1	EA	
1	025513-013	30" DOOR PANEL ASM, W/O LOGO, DCBZ CB	1	EA	
1	025513-024	30" DOOR PANEL ASM, W/O LOGO, DCBZ AR	1	EA	
2	023998-000	HANDLE DOOR 30" 29.126	1	EA	
3	025187-000	ENDCAP,DOOR HDL,ASM,RH	1	EA	
4	025186-000	ENDCAP,DOOR HDL,ASM,LH	1	EA	
5	PD020063	SCREW-#8(A) X 3/8"PH WFR HD/BK OXID	6	EA	
8	013543-000	INSULATION, DOOR, 30"	1	EA	
9	A2009632	PANEL, INSULATION, INNER DOOR	1	EA	
10	PE060094	30" WINDOW PACK	1	EA	
11	023799-000	HINGE, MANSFIELD, RED	2	EA	
12	PD020063	SCREW-#8(A) X 3/8"PH WFR HD/BK OXID	2	EA	
13	PD020004	10X3/8PH.HD.TYPE 25 REPL PD040125	4	EA	
14	013558-000	INSULATION	2	EA	
15	G9109625	DOOR LINER PORC	1	EA	
Not Shown	NOTE	(BEFORE 12/20/12)		EA	
15	G9109625BK	LINER,DOOR,PORC 30" BK	1	EA	
Not Shown	NOTE	(ON OR AFTER 12/20/12)		EA	
16	PD020014	10X3/4 PH TR HD SMS	6	EA	
17	PB070246	30" DOOR GASKET	1	EA	
18	013547-000	BAKE ELEMENT INSULATION	2	EA	

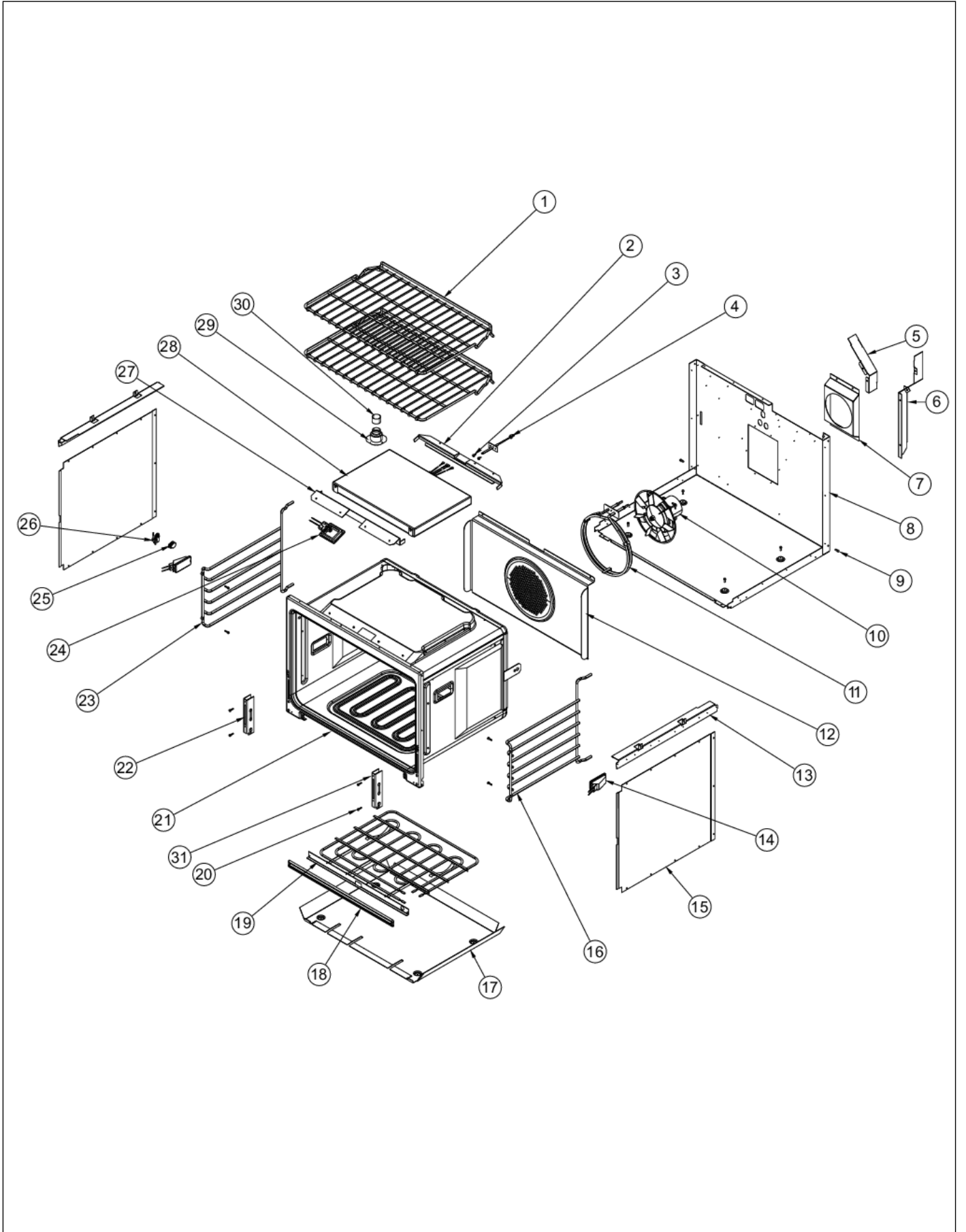
LOWER OVEN CAVITY



Item	Part No.	Name	Qty	Uom	NOTES
1	PB060107	30" OVEN RACK	2	EA	
Not Shown	NOTE	(BEFORE 03/05/13)		EA	
1	041046-000	RACK, DF, PRO, 30"	2	EA	
Not Shown	NOTE	(ON OR AFTER 03/05/13)		EA	
NI	024102-000	PULLOUT RACK, 30"	1	EA	
2	024221-000	BROIL ELEMENT BRACKET REAR	1	EA	
3	PD020055	#10 X 1/2" PAN PHIL. TEK. SS	2	EA	
4	PE050206	RTD THERMOSTAT PROBE	1	EA	
5	A21010919	BRACKET, AIR, CONVECTION MOTOR	1	EA	
6	A2009699	REAR AIR DIVIDER, DBL, LOWER OVEN	1	EA	
7	A2009697	BRACKET, CONVECTION INSULATION	1	EA	
8	UNSERVICEABLE	BASE, BACK WRAPPER	1	EA	
9	PD020060	10 X 1/2" (5/16)HEX WSHR HD.(T)A	6	EA	
10	G32014020	CONVECTION FAN ASSY	1	EA	
11	PJ010047	CONVECTION ELEMENT	1	EA	
12	G91013598	30" BAFFLE ASSEMBLY	1	EA	
13	A2009641	BRKT, TOP WRAPPER	2	EA	
14	005311-000	LAMP, OVEN, 120V/25W	2	EA	
15	014137-000	WRAPPER, OVEN SIDE	2	EA	
16	066478-402	SUPPORT, RACK ASM, RH BLACK	1	EA	
Not Shown	NOTE	(BEFORE 12/20/12)		EA	
16	066226-402	RACK SUPPORT, D3, ASM, RH, BK	1	EA	
Not Shown	NOTE	(ON OR AFTER 12/20/12)		EA	
17	A2009612	ELEMENT, MTG TRAY	1	EA	
18	E9109655	COVER, BAKE TRAY	1	EA	
19	PJ010048	BAKE ELEMENT	1	EA	
20	PD020232	NO.8 X 3/4 PH PAN HEAD TEK SCREW (BLACK OXIDE)	8	EA	



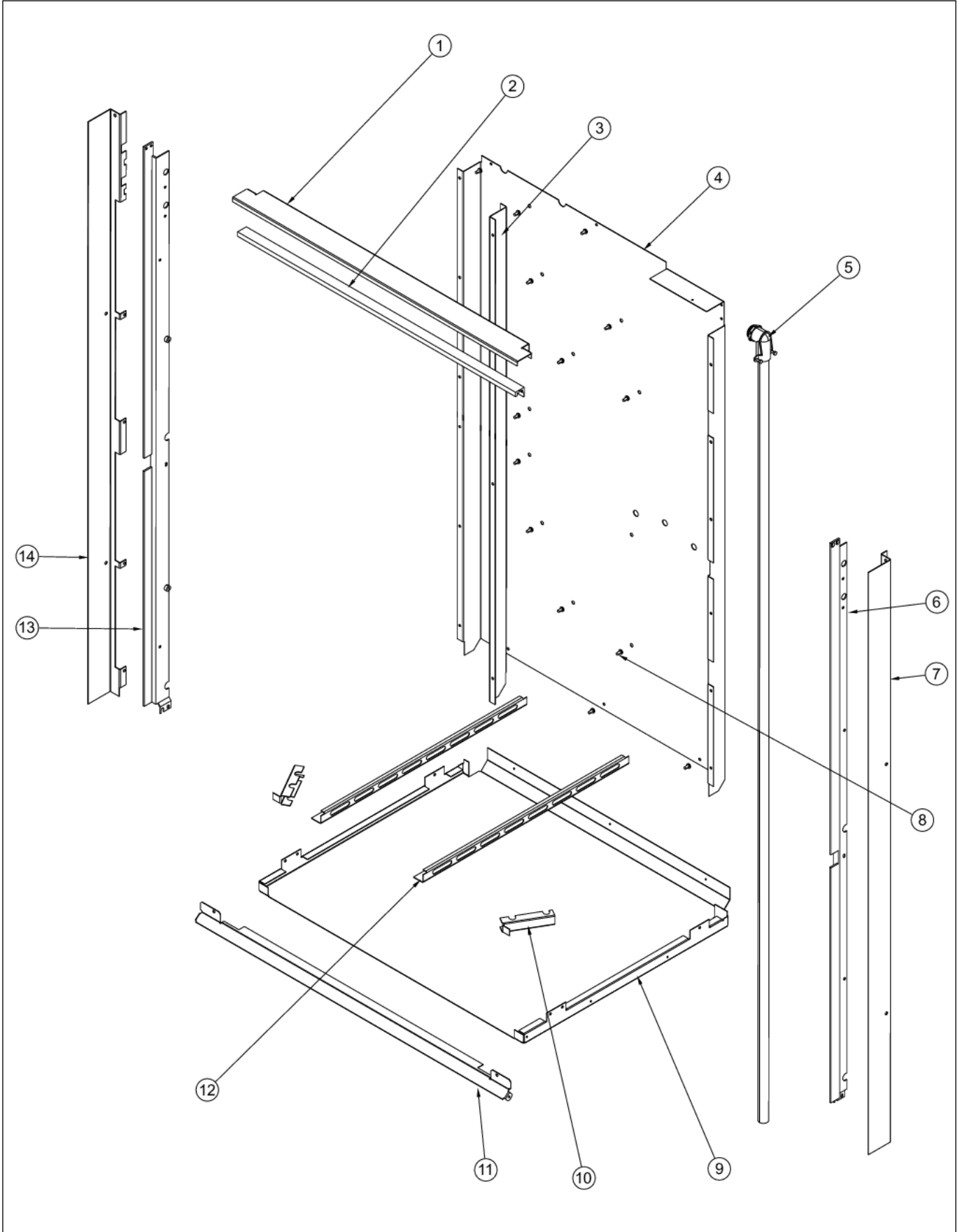
Item	Part No.	Name	Qty	Uom	NOTES
21	UNSERVICEABLE	30" PREMIERE CAVITY ASSY	1	EA	
22	PC020247	HINGE POCKET RECEIVER MANSFIELD LH	2	EA	
23	066479-402	SUPPORT, RACK ASM, LH BLACK	1	EA	
Not Shown	NOTE	(BEFORE 12/20/12)		EA	
23	066227-402	RACK SUPPORT, D3, ASM, LH, BK	1	EA	
Not Shown	NOTE	(ON OR AFTER 12/20/12)		EA	
24	020403-000	BJB SLIMLINE 40W BULB	1	EA	
25	PM010160	MEAT PROBE JACK COVER	1	EA	
26	PE050115	MEAT PROBE JACK	1	EA	
<p>Comments for Part Num. PE050115</p> <p>bradleysapplianceservice@shaw.ca on May 8, 2017 Meat probe is not illustrated on Parts Break Down. PE050114 MEAT PROBE</p>					
27	024234-000	PREMIERE BROIL ELEMENT BRACKET FRONT	1	EA	
28	024040-000	SEALED BROIL ELEMENT W/GLASS	1	EA	
Not Shown	NOTE	BEFORE 07/25/14		EA	
28	057872-000	ELEMENT, BRL, ASM	1	EA	
<p>Comments for Part Num. 057872-000</p> <p>gboltz@VikingRange.com on Aug 17, 2018 When replacing the Ceramaspeed Broiler element (024040-000) with the EGO element, the original rear broiler bracket will need to be replaced with a replacement rear bracket, (013621-000) and a cover (016021-000)</p>					
Not Shown	NOTE	BETWEEN 07/25/14 AND 03/03/15		EA	
28	PJ010049	BROIL ELEMENT	1	EA	
Not Shown	NOTE	ON OR AFTER 03/03/15		EA	
29	PM010014	SMOKE ELIMINATOR (VDSC)	1	EA	
30	PB020275	VENT TUBE	1	EA	





Item	Part No.	Name	Qty	Uom	NOTES
31	PC020221	HINGE POCKET RECEIVER MANSFIELD RH	1	EA	
NI	B21010915	RH HINGE CLIP	1	EA	
Not Shown	NOTE	(BEFORE 09/17/12)		EA	
NI	039145-000	RH RETAINER, HINGE	1	EA	
Not Shown	NOTE	(ON OR AFTER 09/17/12)		EA	
NI	B21010916	LH HINGE CLIP	1	EA	
Not Shown	NOTE	(BEFORE 09/17/12)		EA	
NI	039155-000	LH RETAINER, HINGE	1	EA	
Not Shown	NOTE	(ON OR AFTER 09/17/12)		EA	
NI	PD020061	SCREW	2	EA	
Not Shown	NOTE	(BEFORE 09/17/12)		EA	
NI	003083-000	SCREW	2	EA	
Not Shown	NOTE	(ON OR AFTER 09/17/12)		EA	

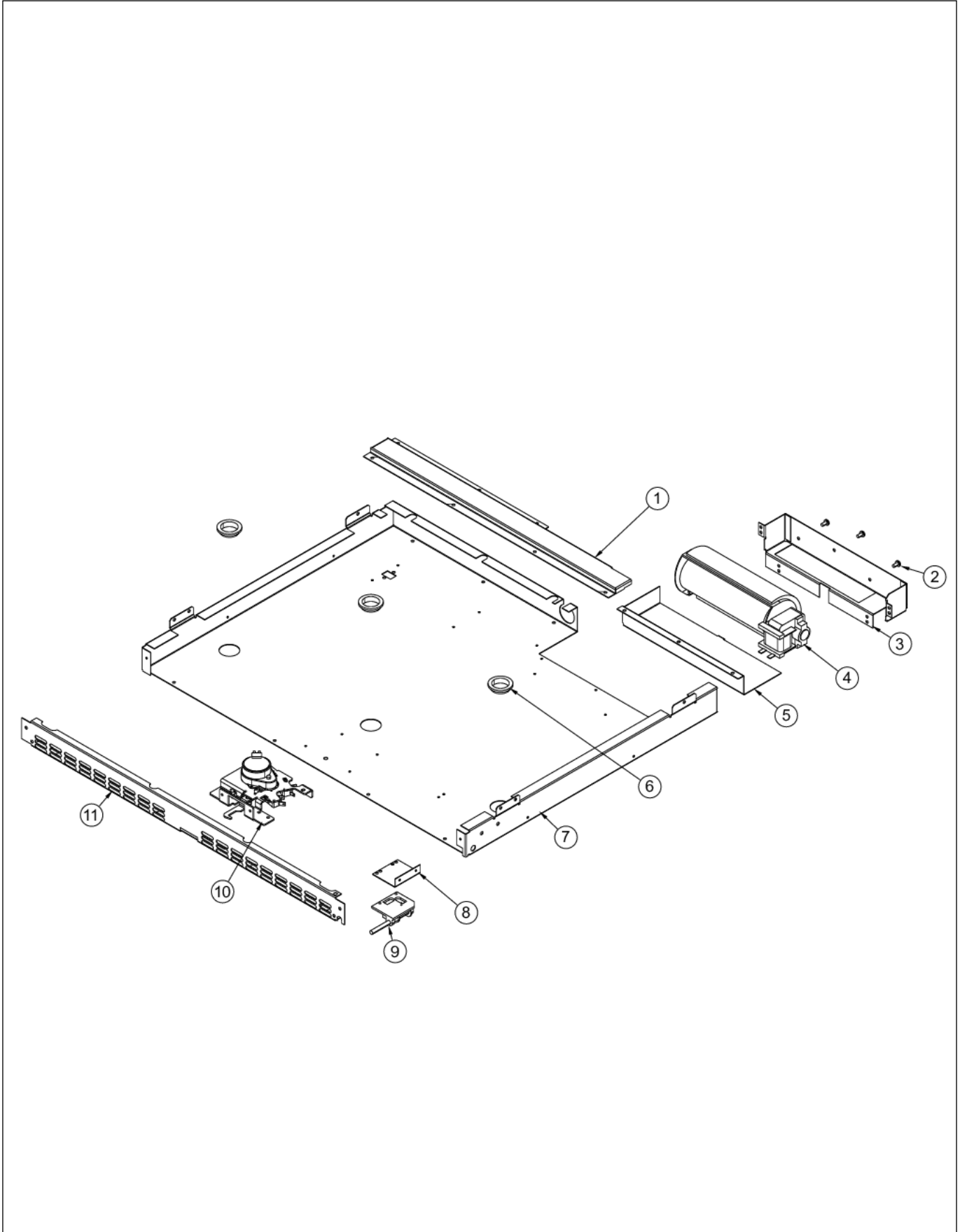
LOWER UNIT AND SIDE TRIM





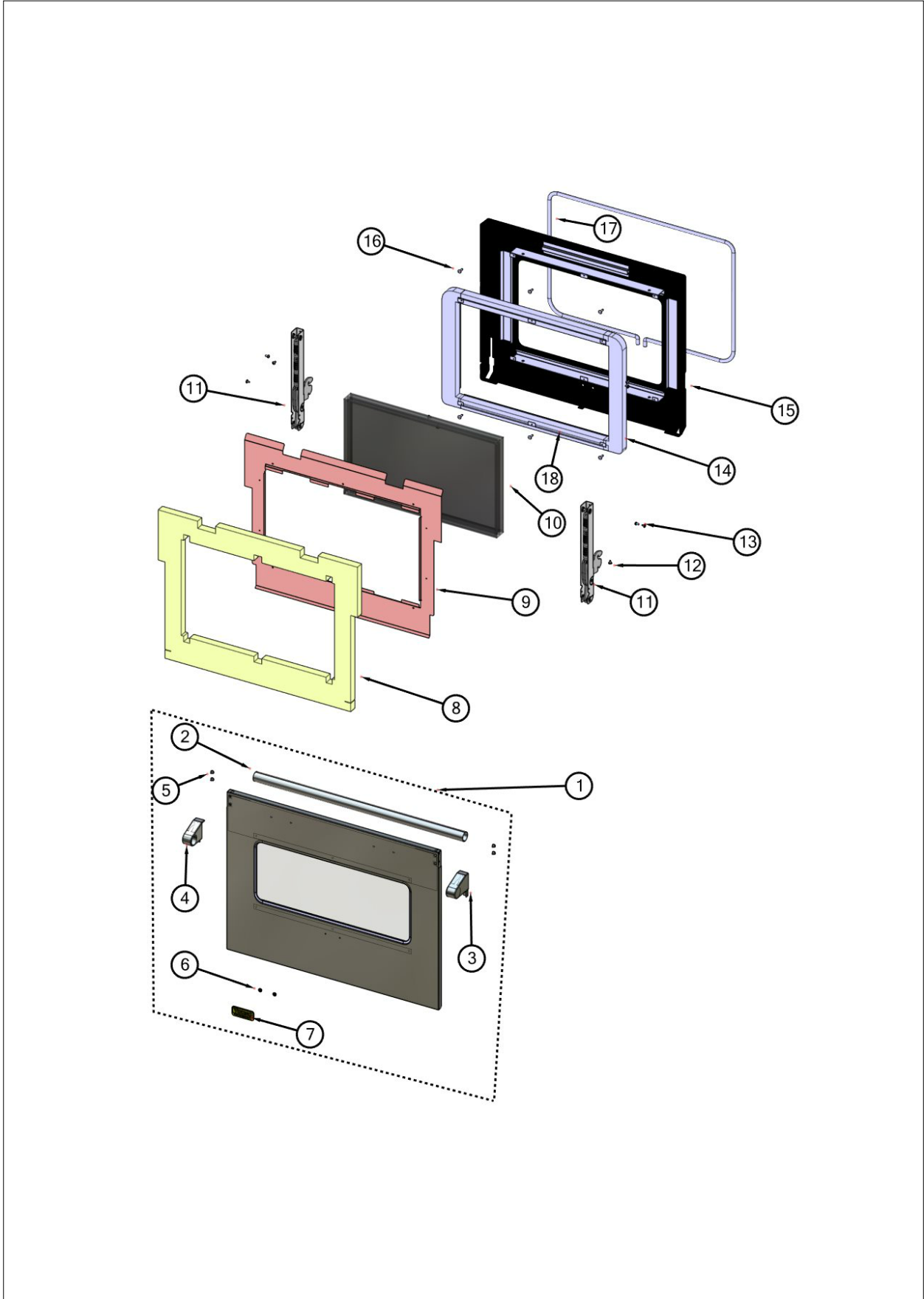
Item	Part No.	Name	Qty	Uom	NOTES
1	024268-000	TRIM, TOP, FLUSH, 30"	1	EA	
2	024253-000	TRIM, TOP, 30"	1	EA	
3	A2009684	REAR AIR DIVIDER, DOUBLE OVEN	1	EA	
4	A2009683	PANEL, REAR	1	EA	
5	040196-000	CONDUIT, ELECTRICAL CORD, 48"	1	EA	
6	024256-000	TRIM,EXTD,RH, DBL	1	EA	
7	024266-000	TRIM, R, FLUSH, DBL	1	EA	
8	PD020004	10X3/8PH.HD.TYPE 25 REPL PD040125	15	EA	
9	A2009623	BASE PAN 30"	1	EA	
10	A20012739	BASE PAN CORNER BRACE	2	EA	
11	025063-002	DEFLECTOR, VENT, LOWER, 30", (BK)	1	EA	
12	A20012740	STIFFENER, BASE PAN	2	EA	
13	024257-000	TRIM,EXTD,LH, DBL	1	EA	
14	024267-000	TRIM, L, FLUSH, DBL	1	EA	

MIDDLE EXTERIOR AREA

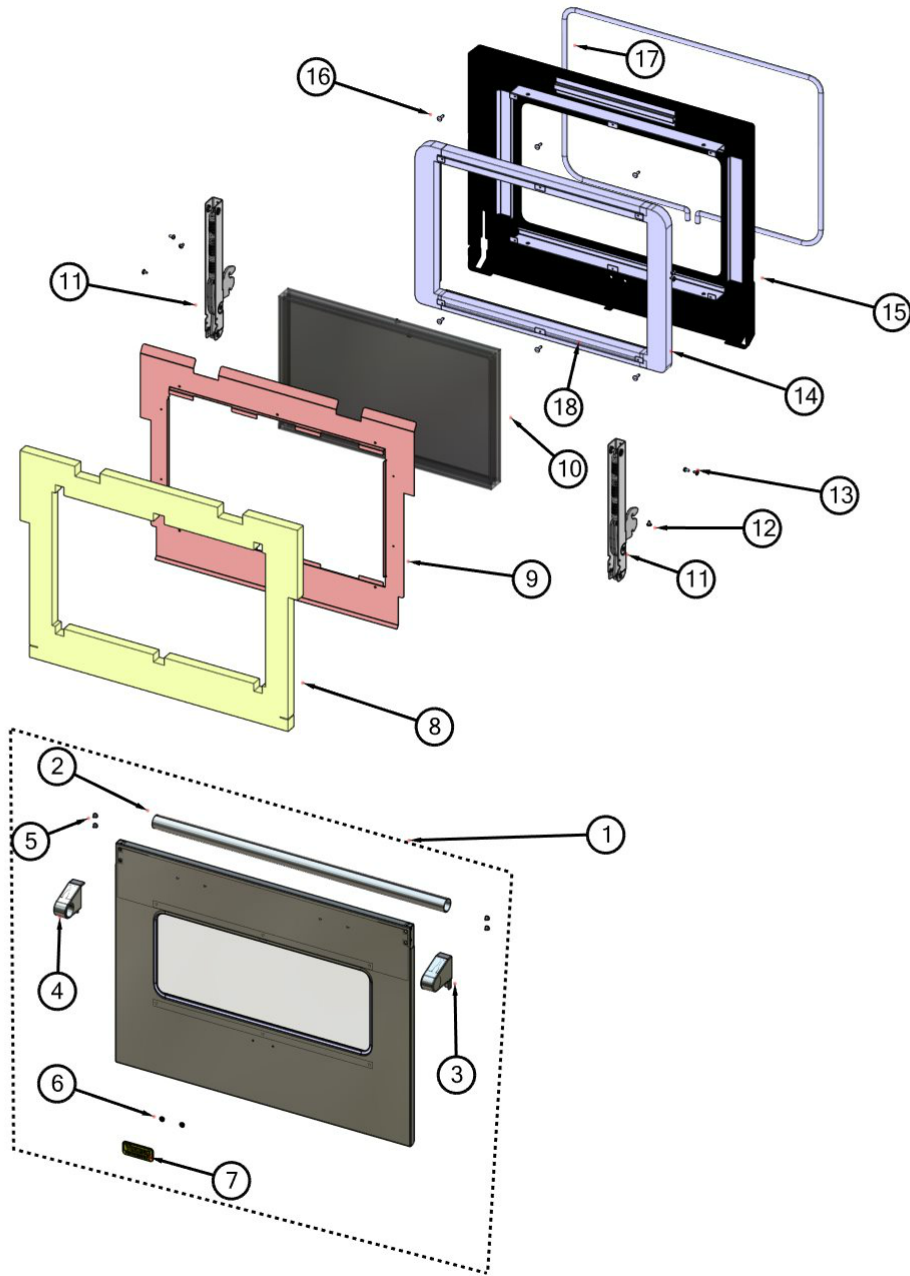


Item	Part No.	Name	Qty	Uom	NOTES
1	A2009682	CATALYST EXHAUST, MIDDLE MODULE	1	EA	
2	PD020004	10X3/8PH.HD.TYPE 25 REPL PD040125	3	EA	
3	A3009660	BRACKET, BLOWER, DBL LOWER OVEN	1	EA	
4	PE050250	Blower	1	EA	
Comments for Part Num. PE050250 highendappsvc@gmail.com on Jan 28, 2019 If you need to replace cooling fan for the model vgsc5486gss serial date code 031412, do not order this fan, this fan is larger and configured wrong. The correct fan is 007794-000. it is smaller.					
Not Shown	NOTE	(BEFORE 02/04/13)		EA	
4	018607-000	FAN, BLO, 220-240V 50/60 HZ ASM	1	EA	
Not Shown	NOTE	(AFTER 02/04/13)		EA	
NI	048753-000	VEDO5302 BLOWER SERVICE KIT	1	EA	
Not Shown	NOTE	(BUILT AFTER SERIAL # 061013C10095661 BUT BEFORE SERIAL # 010614C10122660)		EA	
5	A2009659	BRACKET, FILLER, BLOWER	1	EA	
6	PB070079	SILICONE EXTRUSION (DGSU)	3	EA	
7	UNSERVICEABLE	MODULE PAN 30"	1	EA	
8	A20012649	DOOR SWITCH BRACKET	1	EA	
9	PE050208	DOOR SWITCH	1	EA	
10	013250-000	LATCH,DOOR,ASM,240V,GRID DLE LOCKOUT	1	EA	
Not Shown	NOTE	BEFORE 10/31/13		EA	
10	039293-000	LATCH, ELEC, 240V, ASSY	1	EA	
Not Shown	NOTE	ON OR AFTER 10/31/13		EA	
11	020478-002	GRILL, INL, LOWER, DBL OVEN, 30" BK	1	EA	
NI	PJ030039	BI-METAL THERMOSTAT 275 DEGREES	1	EA	

UPPER DOOR ASSEMBLY



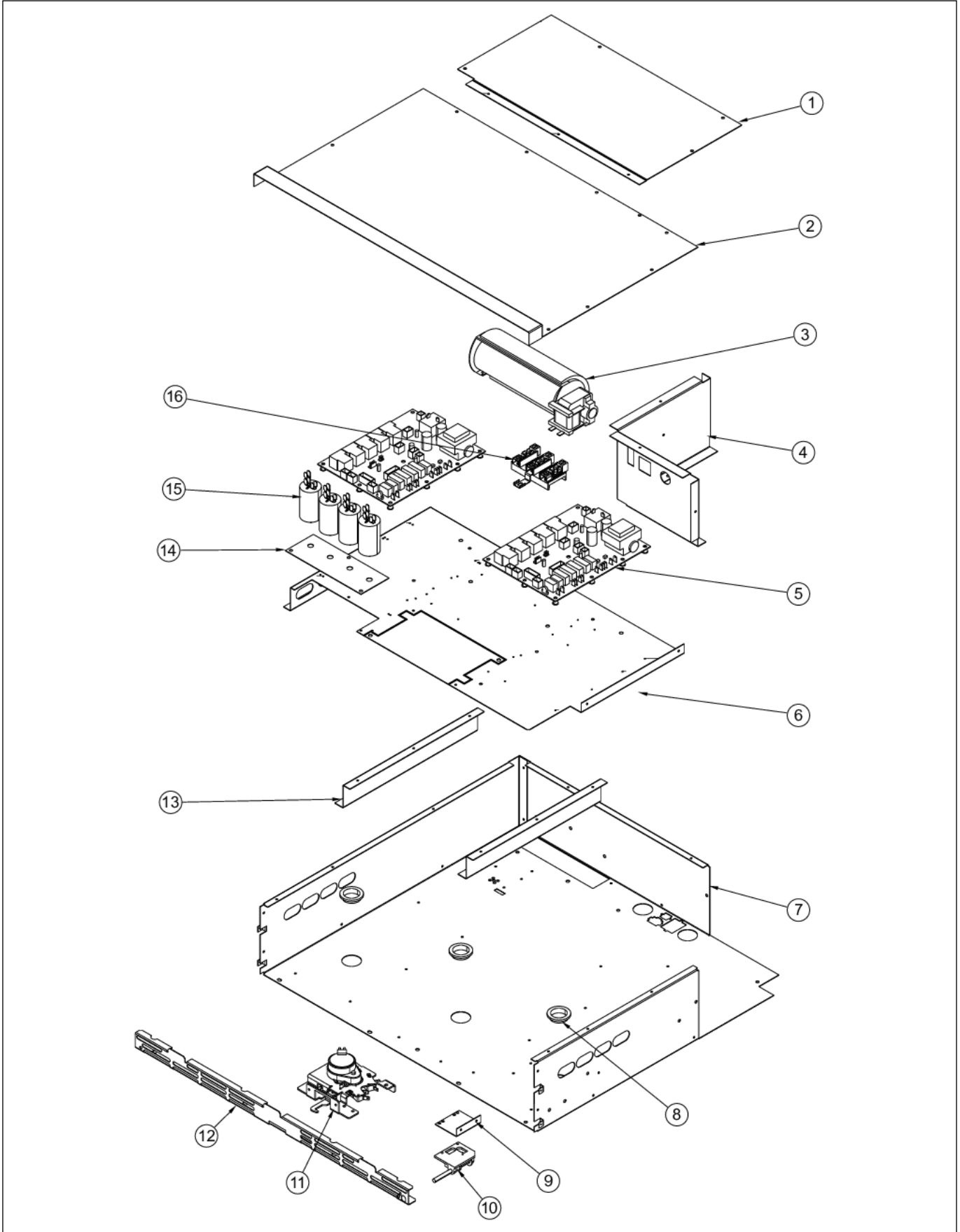
Item	Part No.	Name	Qty	Uom	NOTES
1	023995-000	30" PRO DOOR PANEL ASM, W/LOGO	1	EA	
1	025510-002	30" DOOR PANEL ASM W/LOGO, DCBZ BK	1	EA	
1	025510-005	30" DOOR PANEL ASM W/LOGO, DCBZ GG	1	EA	
1	025510-006	30" DOOR PANEL ASM W/LOGO, DCBZ WH	1	EA	
1	025510-008	30" DOOR PANEL ASM W/LOGO, DCBZ BU	1	EA	
1	025510-013	30" DOOR PANEL ASM W/LOGO, DCBZ CB	1	EA	
1	025510-024	30" DOOR PANEL ASM W/LOGO, DCBZAR	1	EA	
2	023998-000	HANDLE DOOR 30" 29.126	1	EA	
3	025187-000	ENDCAP,DOOR HDL,ASM,RH	1	EA	
4	025186-000	ENDCAP,DOOR HDL,ASM,LH	1	EA	
5	PD020063	SCREW-#8(A) X 3/8"PH WFR HD/BK OXID	6	EA	
6	PD030006	CAPPED WASHER PAL NUT	2	EA	
7	PE010142	3" LOGO *BK**CHROME	1	EA	
8	013543-000	INSULATION, DOOR, 30"	1	EA	
9	A2009632	PANEL, INSULATION, INNER DOOR	1	EA	
10	PE060094	30" WINDOW PACK	1	EA	
11	023799-000	HINGE, MANSFIELD, RED	2	EA	
12	PD020063	SCREW-#8(A) X 3/8"PH WFR HD/BK OXID	2	EA	
13	PD020004	10X3/8PH.HD.TYPE 25 REPL PD040125	4	EA	
14	013558-000	INSULATION	2	EA	
15	G9109625	DOOR LINER PORC	1	EA	
Not Shown	NOTE	(BEFORE 12/20/12)		EA	
15	G9109625BK	LINER,DOOR,PORC 30" BK	1	EA	
Not Shown	NOTE	(ON OR AFTER 12/20/12)		EA	
16	PD020014	10X3/4 PH TR HD SMS	6	EA	
17	PB070246	30" DOOR GASKET	1	EA	





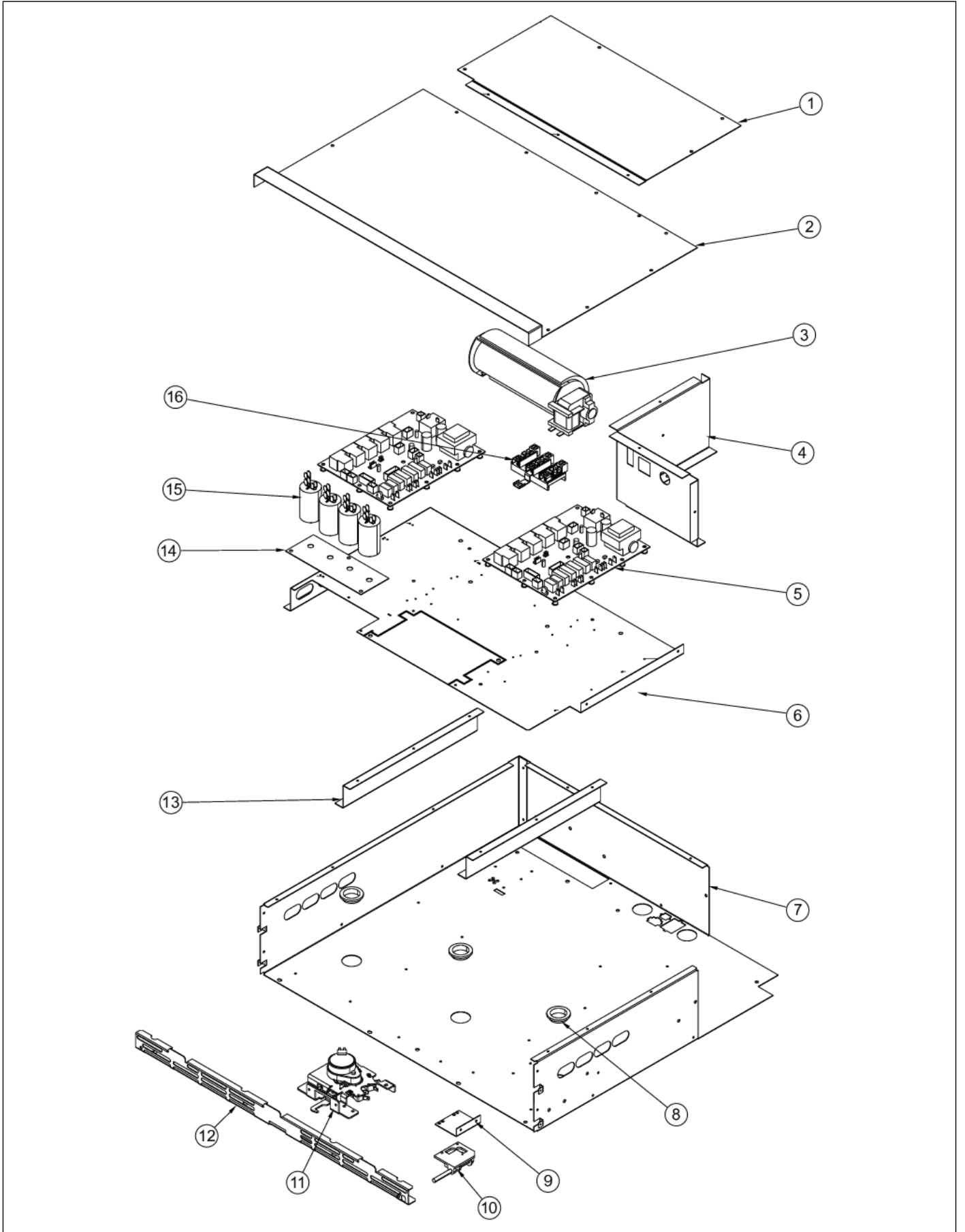
Item	Part No.	Name	Qty	Uom	NOTES
18	013547-000	BAKE ELEMENT INSULATION	2	EA	

UPPER EXTERIOR AREA





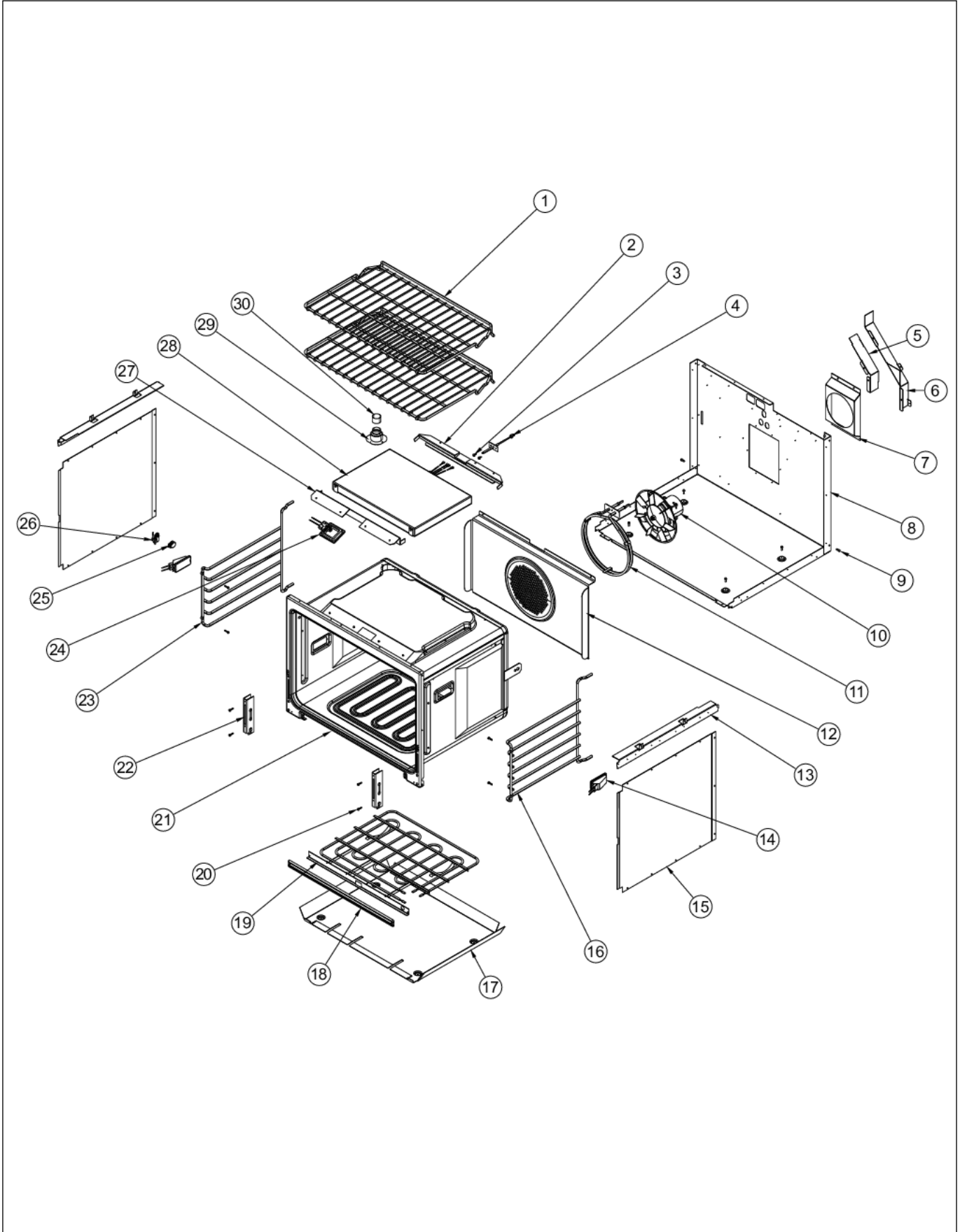
Item	Part No.	Name	Qty	Uom	NOTES
1	A20014049	30" REAR COVER	1	EA	
2	025057-000	PANEL,CVR, TOP, FR, 30"	1	EA	
3	PE050250	Blower	2	EA	
<p>Comments for Part Num. PE050250</p> <p>highendappsvc@gmail.com on Jan 28, 2019</p> <p>If you need to replace cooling fan for the model vgsc5486gss serial date code 031412, do not order this fan, this fan is larger and configured wrong. The correct fan is 007794-000. it is smaller.</p>					
Not Shown	NOTE	BEFORE 2/4/13		EA	
3	018607-000	FAN, BLO, 220-240V 50/60 HZ ASM	2	EA	
Not Shown	NOTE	AFTER 2/4/13		EA	
4	A2009671	BRACKET, POWER CABLE	1	EA	
5	002406-000	CONTROL BOARD	2	EA	
<p>Comments for Part Num. 002406-000</p> <p>haarnink@vikingrange.com on Jun 18, 2015</p> <p>For the international E Model numbers EVDSC5 we need to add the info that since First unit was EVDSC530S4B: 092314C10147281 any EVDSC built in 2014 went into production with EOC4. so here we need to add the part number 014000-000 EOC4 plus the SMPS part number 013999-000</p>					
6	023367-000	30" MTG PANEL, CONTROL	1	EA	
7	A2009643	MODULE PAN, TOP 30"	1	EA	
8	PB070079	SILICONE EXTRUSION (DGSU)	5	EA	
9	A20012649	DOOR SWITCH BRACKET	1	EA	
10	PE050208	DOOR SWITCH	1	EA	
11	013250-000	LATCH,DOOR,ASM,240V,GRID DLE LOCKOUT	2	EA	
Not Shown	NOTE	BEFORE 10/31/2013		EA	
11	039293-000	LATCH, ELEC, 240V, ASSY	2	EA	
Not Shown	NOTE	ON OR AFTER 10/31/13		EA	
12	C20014072	30" INLET GRILL	1	EA	
13	A20010910	BRACKET, SUPPORT, ELECTRONICS HAT	2	EA	



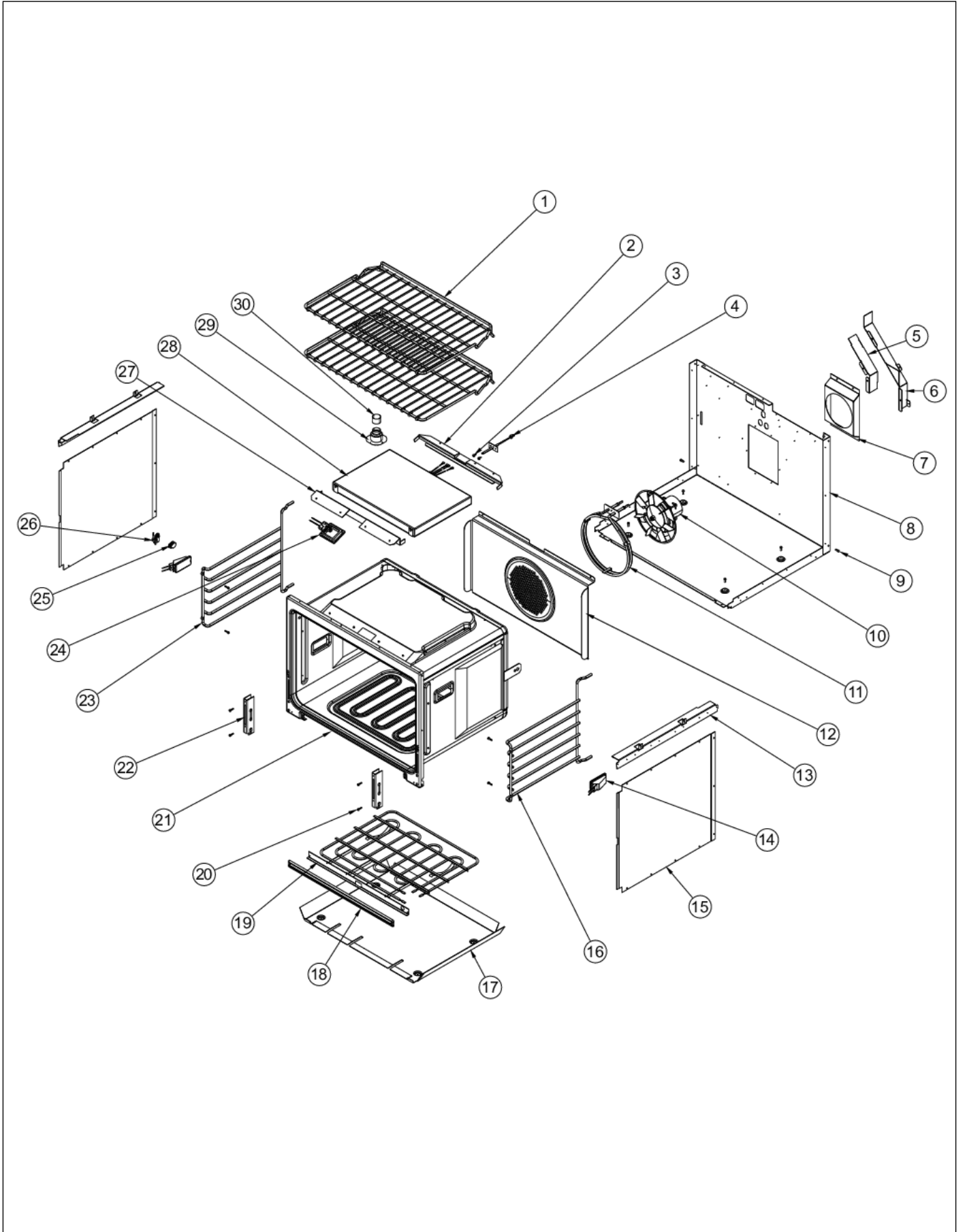


Item	Part No.	Name	Qty	Uom	NOTES
14	A10014028	2 CAPACITOR BRACKET	1	EA	
Comments for Part Num. A10014028					
service@priorityappliance.com on Jan 17, 2019					
The capacitors are part # 036047-000, found by looking up a VEDO130. Confirmed - they're the same capacitor.					
15	053905-000	CAPACITOR, MOTOR, 3uF	4	EA	
16	PE070147	TERMINAL BLOCK (VDSC)	1	EA	
NI	PE070763	10 POSITION 30" L.O.	1	EA	

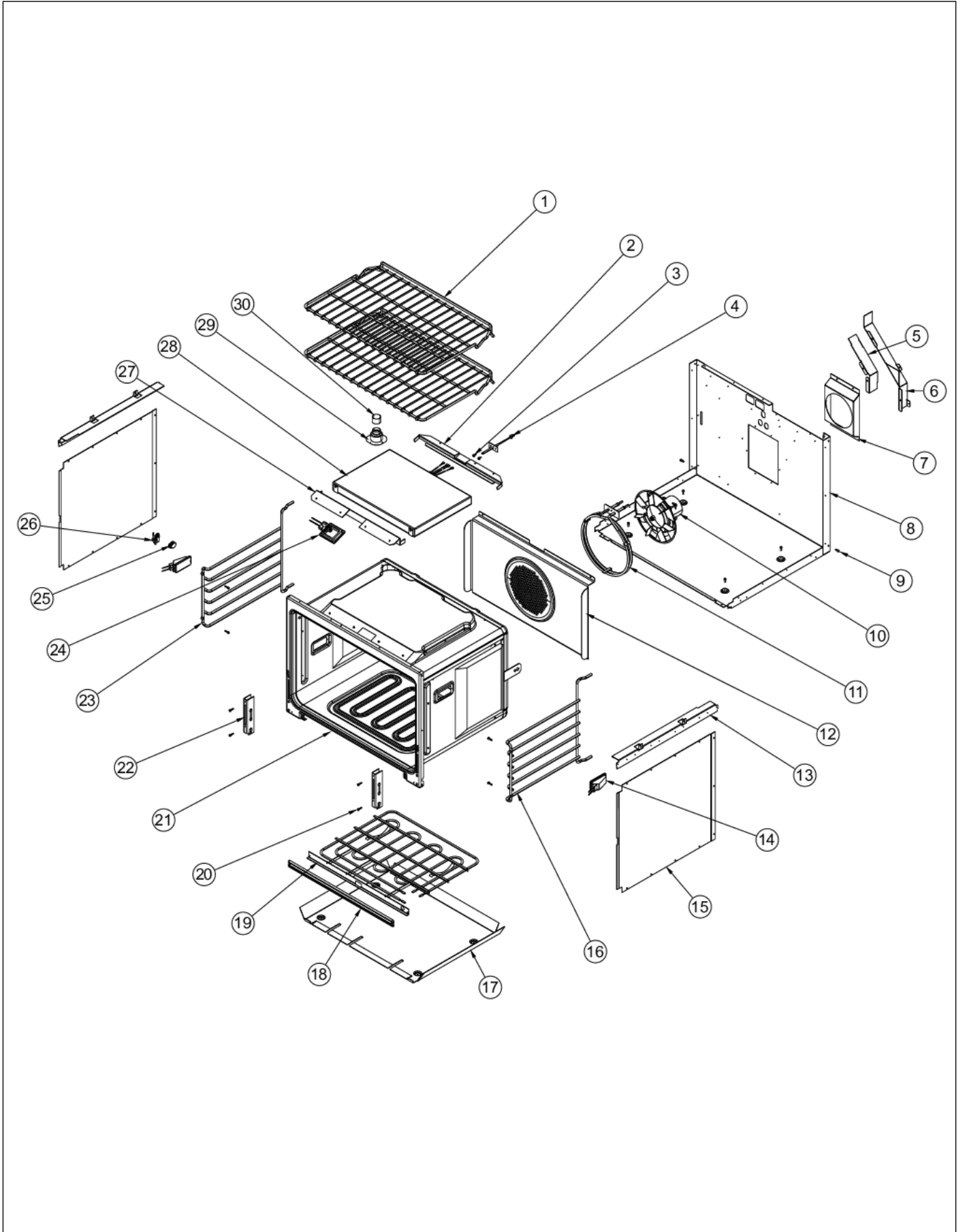
UPPER OVEN CAVITY



Item	Part No.	Name	Qty	Uom	NOTES
1	PB060107	30" OVEN RACK	1	EA	
Not Shown	NOTE	(BEFORE 03/05/13)		EA	
1	041046-000	RACK, DF, PRO, 30"	1	EA	
Not Shown	NOTE	(ON OR AFTER 03/05/13)		EA	
NI	024102-000	PULLOUT RACK, 30"	2	EA	
2	024221-000	BROIL ELEMENT BRACKET REAR	1	EA	
3	PD020055	#10 X 1/2" PAN PHIL. TEK. SS	2	EA	
4	PE050206	RTD THERMOSTAT PROBE	1	EA	
5	A21010919	BRACKET, AIR, CONVECTION MOTOR	1	EA	
6	A21010918	BRACKET, AIR, CONVECTION MOTOR	1	EA	
7	A2009697	BRACKET, CONVECTION INSULATION	1	EA	
8	UNSERVICEABLE	BASE, BACK WRAPPER	1	EA	
9	PD020060	10 X 1/2" (5/16)HEX WSHR HD.(T)A	6	EA	
10	G32014020	CONVECTION FAN ASSY	1	EA	
11	PJ010047	CONVECTION ELEMENT	1	EA	
12	G91013598	30" BAFFLE ASSEMBLY	1	EA	
13	A2009641	BRKT, TOP WRAPPER	2	EA	
14	005311-000	LAMP, OVEN, 120V/25W	2	EA	
15	014137-000	WRAPPER, OVEN SIDE	2	EA	
16	066478-402	SUPPORT, RACK ASM, RH BLACK	1	EA	
Not Shown	NOTE	(BEFORE 12/20/12)		EA	
16	066226-402	RACK SUPPORT, D3, ASM, RH, BK	1	EA	
Not Shown	NOTE	(ON OR AFTER 12/20/12)		EA	
17	A2009612	ELEMENT, MTG TRAY	1	EA	
18	E9109655	COVER, BAKE TRAY	1	EA	
19	PJ010048	BAKE ELEMENT	1	EA	
20	PD020232	NO.8 X 3/4 PH PAN HEAD TEK SCREW (BLACK OXIDE)	8	EA	



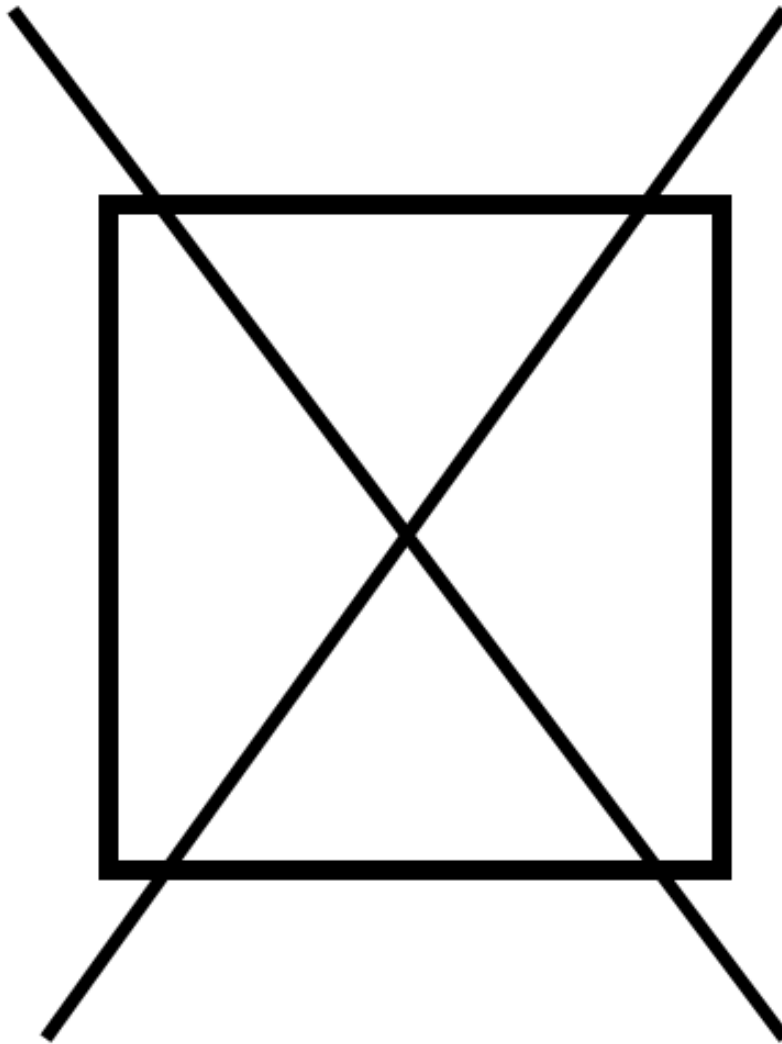
Item	Part No.	Name	Qty	Uom	NOTES
21	UNSERVICEABLE	30" PREMIERE CAVITY ASSY	1	EA	
22	PC020247	HINGE POCKET RECEIVER MANSFIELD LH	1	EA	
NI	PC020221	HINGE POCKET RECEIVER MANSFIELD RH	1	EA	
23	066479-402	SUPPORT, RACK ASM, LH BLACK	1	EA	
Not Shown	NOTE	(BEFORE 12/20/12)		EA	
23	066227-402	RACK SUPPORT, D3, ASM, LH, BK	1	EA	
Not Shown	NOTE	(ON OR AFTER 12/20/12)		EA	
24	020403-000	BJB SLIMLINE 40W BULB	1	EA	
25	PM010160	MEAT PROBE JACK COVER	1	EA	
26	PE050115	MEAT PROBE JACK	1	EA	
<p>Comments for Part Num. PE050115</p> <p>bradleysapplianceservice@shaw.ca on May 8, 2017 Meat probe is not illustrated on Parts Break Down. PE050114 MEAT PROBE</p>					
NI	PE050114	MEAT PROBE (DESO/DEDO) (SWITCHCRAFT'S PART # 4C7919)	1	EA	
27	024234-000	PREMIERE BROIL ELEMENT BRACKET FRONT	1	EA	
28	024040-000	SEALED BROIL ELEMENT W/GLASS	1	EA	
Not Shown	NOTE	BEFORE 07/25/14		EA	
28	057872-000	ELEMENT, BRL, ASM	1	EA	
<p>Comments for Part Num. 057872-000</p> <p>gboltz@VikingRange.com on Aug 17, 2018 When replacing the Ceramaspeed Broiler element (024040-000) with the EGO element, the original rear broiler bracket will need to be replaced with a replacement rear bracket, (013621-000) and a cover (016021-000)</p>					
Not Shown	NOTE	ON OR AFTER 07/25/14		EA	
29	PM010014	SMOKE ELIMINATOR (VDSC)	1	EA	
30	PB020275	VENT TUBE	1	EA	





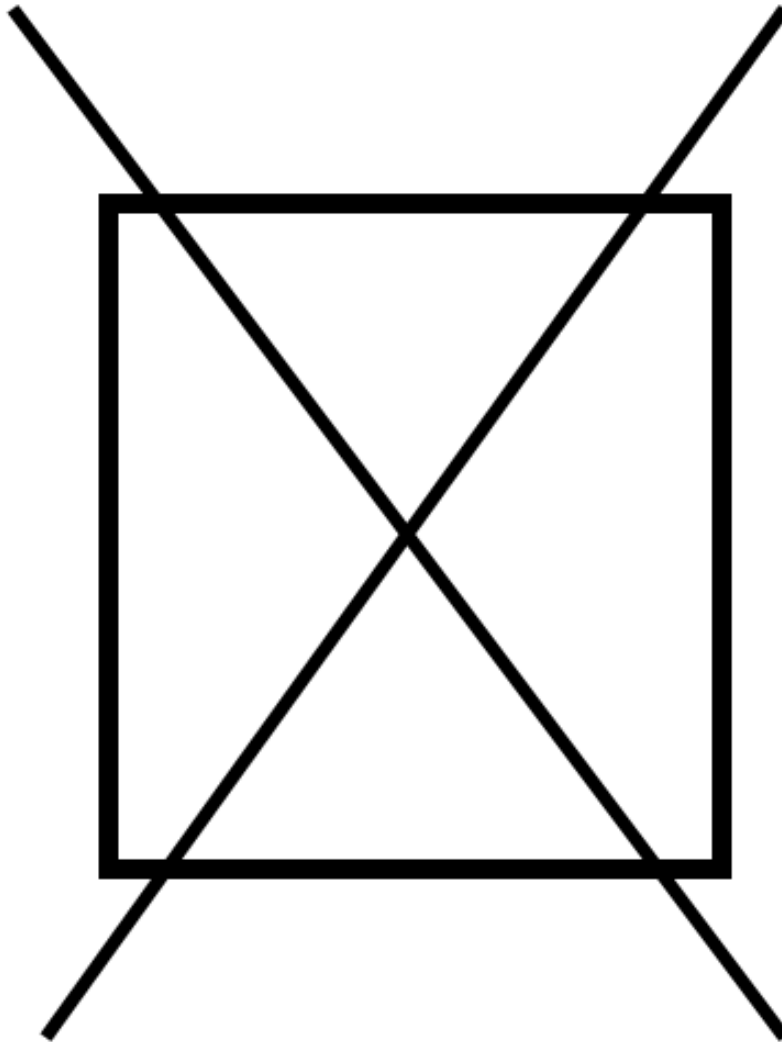
Item	Part No.	Name	Qty	Uom	NOTES
NI	B21010915	RH HINGE CLIP	1	EA	
Not Shown	NOTE	(BEFORE 09/17/12)		EA	
NI	039145-000	RH RETAINER, HINGE	1	EA	
Not Shown	NOTE	(ON OR AFTER 09/17/12)		EA	
NI	B21010916	LH HINGE CLIP	1	EA	
Not Shown	NOTE	(BEFORE 09/17/12)		EA	
NI	039155-000	LH RETAINER, HINGE	1	EA	
Not Shown	NOTE	(ON OR AFTER 09/17/12)		EA	
NI	PD020061	SCREW	2	EA	
Not Shown	NOTE	(BEFORE 09/17/12)		EA	
NI	003083-000	SCREW	2	EA	
Not Shown	NOTE	(ON OR AFTER 09/17/12)		EA	

NON
ILLUSTRATED PART



Item	Part No.	Name	Qty	Uom	NOTES
NI	001097-000	FAN MOTOR JUMPER	2	EA	
NI	000915-000	LIMIT JUMPER	2	EA	
NI	PE070733	UPPER LATCH HARNESS	1	EA	
Not Shown	NOTE	(BEFORE 02/04/16)		EA	
NI	058083-000	HARN, WALL OVEN, UPR, LATCH, PREMIERE	1	EA	
Not Shown	NOTE	(ON OR AFTER 02/04/16)		EA	
NI	PE070735	MEAT PROBE HARNESS	1	EA	
NI	PE070736	LOWER CONTROL HARNESS	1	EA	
Not Shown	NOTE	(BEFORE 05/29/13)		EA	
NI	042029-000	HARNESS, CTRL, LWR	1	EA	
Not Shown	NOTE	(FROM 05/29/13 THRU 02/04/16)		EA	
NI	057636-000	HARNESS, WALL OVEN, LOWER, MAIN, EOC621	1	EA	
Not Shown	NOTE	(ON OR AFTER 02/04/16)		EA	
NI	PE070738	T/STAT-SEL HARNESS	4	EA	
NI	PE070739	BAKE ELEMENT HARNESS	2	EA	
NI	PE070740	LOWER LATCH HARNESS	1	EA	
Not Shown	NOTE	(BEFORE 05/29/13)		EA	
NI	042030-000	LOWER LATCH HARNESS	1	EA	
Not Shown	NOTE	(FROM 05/29/13 THRU 02/04/16)		EA	
NI	057655-000	LATCH HARNESS, LOWER OVEN	1	EA	
Not Shown	NOTE	(ON OR AFTER 02/04/16)		EA	
NI	PE070742	UPPER CONTROL HARNESS	1	EA	
Not Shown	NOTE	(BEFORE 05/29/13)		EA	
NI	042028-000	HARNESS, UPPER CONTROL	1	EA	
Not Shown	NOTE	FROM 05/29/13 THRU 02/04/16)		EA	
NI	057466-000	HARN, WALL OVEN, UPR, MAIN, EOC621	1	EA	

NON
ILLUSTRATED PART





Item	Part No.	Name	Qty	Uom	NOTES
Not Shown	NOTE	(ON OR AFTER 02/04/16)		EA	
NI	PE070746	DOUBLE ANALOG CLOCK HARNESS	1	EA	
NI	027543-000	JMPR, LED, 240v ADPT	1	EA	



Appendix A:Pages Index

CONTROL AREA 1
LOWER DOOR ASSEMBLY 2
LOWER OVEN CAVITY 3
LOWER UNIT AND SIDE TRIM 4
MIDDLE EXTERIOR AREA 5
UPPER DOOR ASSEMBLY 6
UPPER EXTERIOR AREA 7
UPPER OVEN CAVITY 8
WIRING 9



Appendix B:Parts Index

000915-000	9	025510-005	6
001097-000	9	025510-006	6
002406-000	7	025510-008	6
003083-000	3, 8	025510-013	6
005311-000	3, 8	025510-024	6
013250-000	5, 7	025513-002	2
013543-000	2, 6	025513-005	2
013547-000	2, 6	025513-006	2
013558-000	2, 6	025513-008	2
014137-000	3, 8	025513-013	2
015043-000	1	025513-024	2
015662-000	1	027543-000	9
018607-000	5, 7	035976-2295	1
020403-000	3, 8	036576-000	1
020478-002	5	039145-000	3, 8
023367-000	7	039155-000	3, 8
023799-000	2, 6	039293-000	5, 7
023995-000	6	040196-000	4
023998-000	2, 6	041046-000	3, 8
024040-000	3, 8	042028-000	9
024102-000	3, 8	042029-000	9
024221-000	3, 8	042030-000	9
024234-000	3, 8	048753-000	5
024253-000	4	050172-000	1
024256-000	4	053905-000	7
024257-000	4	057466-000	9
024266-000	4	057636-000	9
024267-000	4	057655-000	9
024268-000	4	057872-000	3, 8
024774-000	1	058083-000	9
024810-000	1	066226-402	3, 8
024996-000	2	066227-402	3, 8
025057-000	7	066478-402	3, 8
025063-002	4	066479-402	3, 8
025100-000	1	A10014028	7
025101-2295	1	A20010910	7
025142-000	1	A20012649	5, 7
025186-000	2, 6	A20012739	4
025187-000	2, 6	A20012740	4
025510-002	6	A20014049	7
		A2009612	3, 8



A2009623	4	PD030006	6
A2009632	2, 6	PE010142	6
A2009641	3, 8	PE050114	8
A2009643	7	PE050115	3, 8
A2009659	5	PE050140	1
A2009671	7	PE050206	3, 8
A2009682	5	PE050208	5, 7
A2009683	4	PE050250	5, 7
A2009684	4	PE060094	2, 6
A2009697	3, 8	PE070147	7
A2009699	3	PE070733	9
A21010918	8	PE070735	9
A21010919	3, 8	PE070736	9
A3009660	5	PE070738	9
B21010915	3, 8	PE070739	9
B21010916	3, 8	PE070740	9
C20014072	7	PE070742	9
E9109655	3, 8	PE070746	9
G32014020	3, 8	PE070763	7
G40015469	1	PJ010047	3, 8
G91013598	3, 8	PJ010048	3, 8
G9109625	2, 6	PJ010049	3
G9109625BK	2, 6	PJ030033	1
PA010093	1	PJ030035	1
PA010192	1	PJ030036	1
PB010304PVD	1	PJ030039	5
PB020275	3, 8	PJ030043	1
PB060107	3, 8	PM010014	3, 8
PB070079	5, 7	PM010160	3, 8
PB070246	2, 6		
PC020221	3, 8		
PC020247	3, 8		
PD020004	1, 2, 4, 5, 6		
PD020014	2, 6		
PD020032	1		
PD020055	3, 8		
PD020060	3, 8		
PD020061	3, 8		
PD020063	2, 2, 6, 6		
PD020232	3, 8		
PD020261	1		