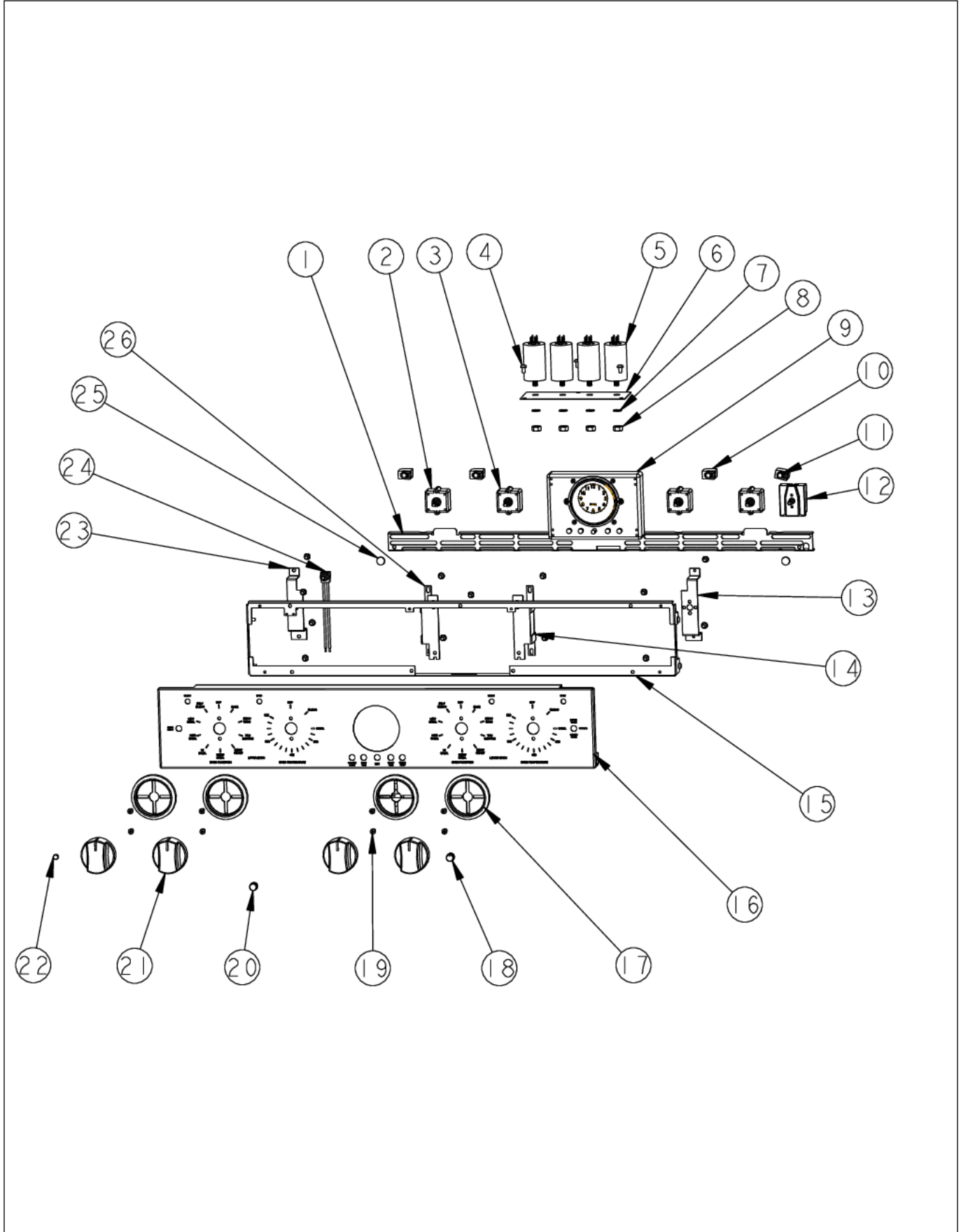


VEDO5301

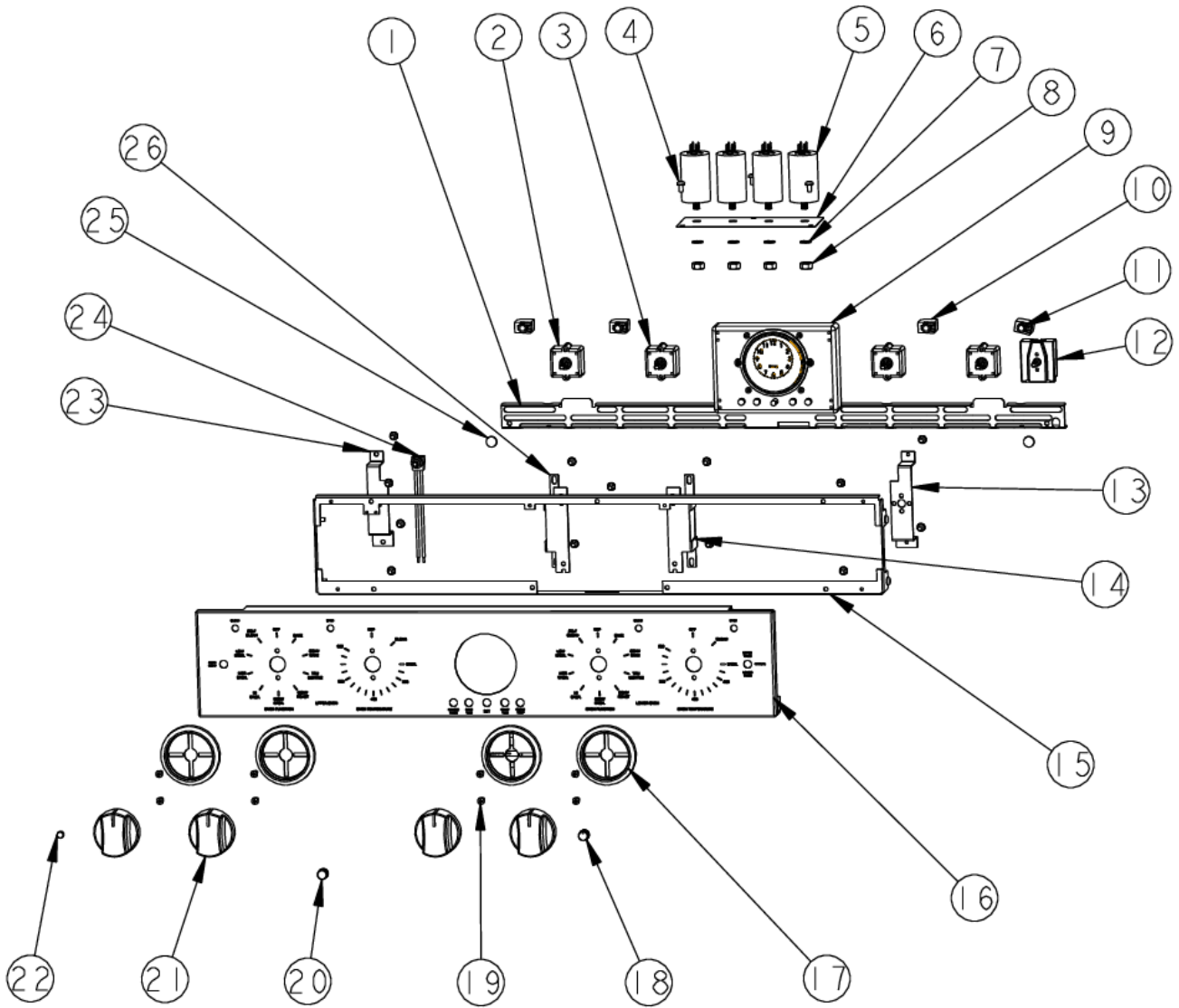
CONTROL AREA	1
LOWER CAVITY INT	2
LOWER CONTROL HARNESS	3
LOWER DOOR	4
LOWER LATCH HARNESS	5
LOWER OVEN ELEC	6
SIMPLE HARNESSES 1	7
SIMPLE HARNESSES 2	8
UNIT EXTERIOR	9
UNIT REAR	10
UPPER CAVITY INT	11
UPPER CONTROL HARNESS	12
UPPER DOOR	13
UPPER UNIT AREA	14
Appendix A:Pages Index	A
Appendix B:Parts Index	B

CONTROL AREA





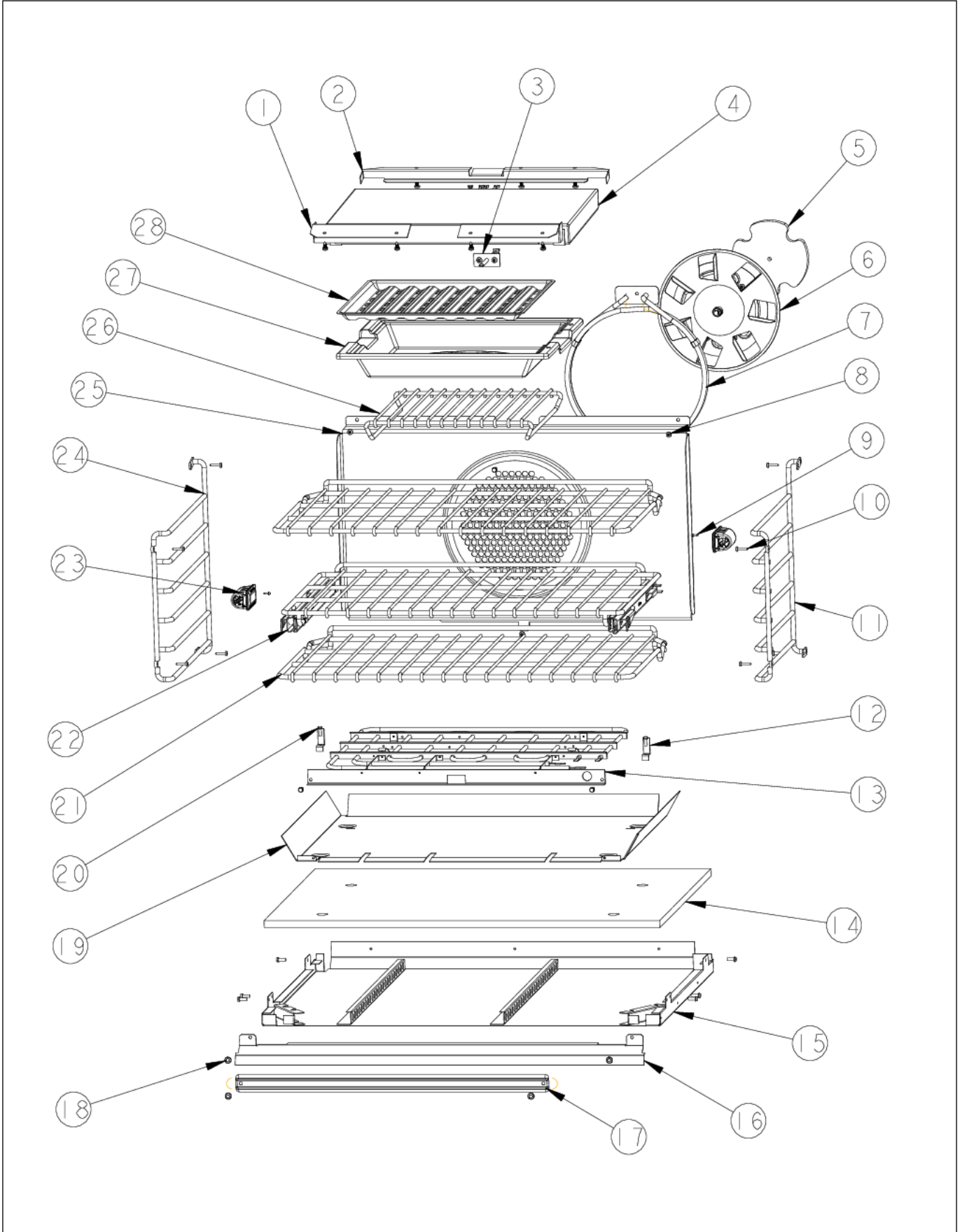
Item	Part No.	Name	Qty	Uom	NOTES
1	C90014072BK	30" INLET GRILL	1	EA	
1	C90014072WH	30" INLET GRILL*WH*	1	EA	
2	PJ030033	SELECTOR (10 POS)	2	EA	
3	PJ030035	THERMOSTAT	2	EA	
<p>Comments for Part Num. PJ030035</p> <p>parts@lvdistributes.com on Feb 7, 2018 this is not the correct part for this range it should be a 003225-000 Reply by JREXEC02@AOL.COM on Feb 27, 2018 003225-000 is an Induction Control.</p> <p>PJ030035 is the red colored thermostat for the Gas Range *****</p>					
4	PD020004	10X3/8PH.HD.TYPE 25 REPL PD040125	20	EA	
5	036047-000	EBM FAN MOTOR CAPACITOR	4	EA	
6	A10014027	4 CAPACITOR BRACKET	1	EA	
7	PD040164	5/16 INTERNAL TOOTH LOCK WASHER TYPE A	4	EA	
8	PD030172	M8 X 1.25MM NUT	4	EA	
9	PE050140	ANALOG CLOCK 220V 50/60H	1	EA	
10	PE050072	LENS OPENING	4	EA	
11	PE050023	OVEN IND. LIGHT (LENS & BEZEL)	4	EA	
12	PJ030036	3 POSITION SELECTOR SWITCH	1	EA	
13	007698-000	BRACKET, SWITCH SELECTOR	1	EA	
14	007674-000	BRACKET, CLOCK RIGHT	1	EA	Not available online / Call for pricing and availability
15	009590-000	MOUNT, PNL	1	EA	Not available online / Call for pricing and availability
16	007647-000	30" DOUBLE PRO PREMIERE CONTROL PANEL	1	EA	
16	007662-002	30" DOUBLE CONTROL PANEL - BK	1	EA	NO LONGER AVAILABLE, Not available online / Call for pricing and availability





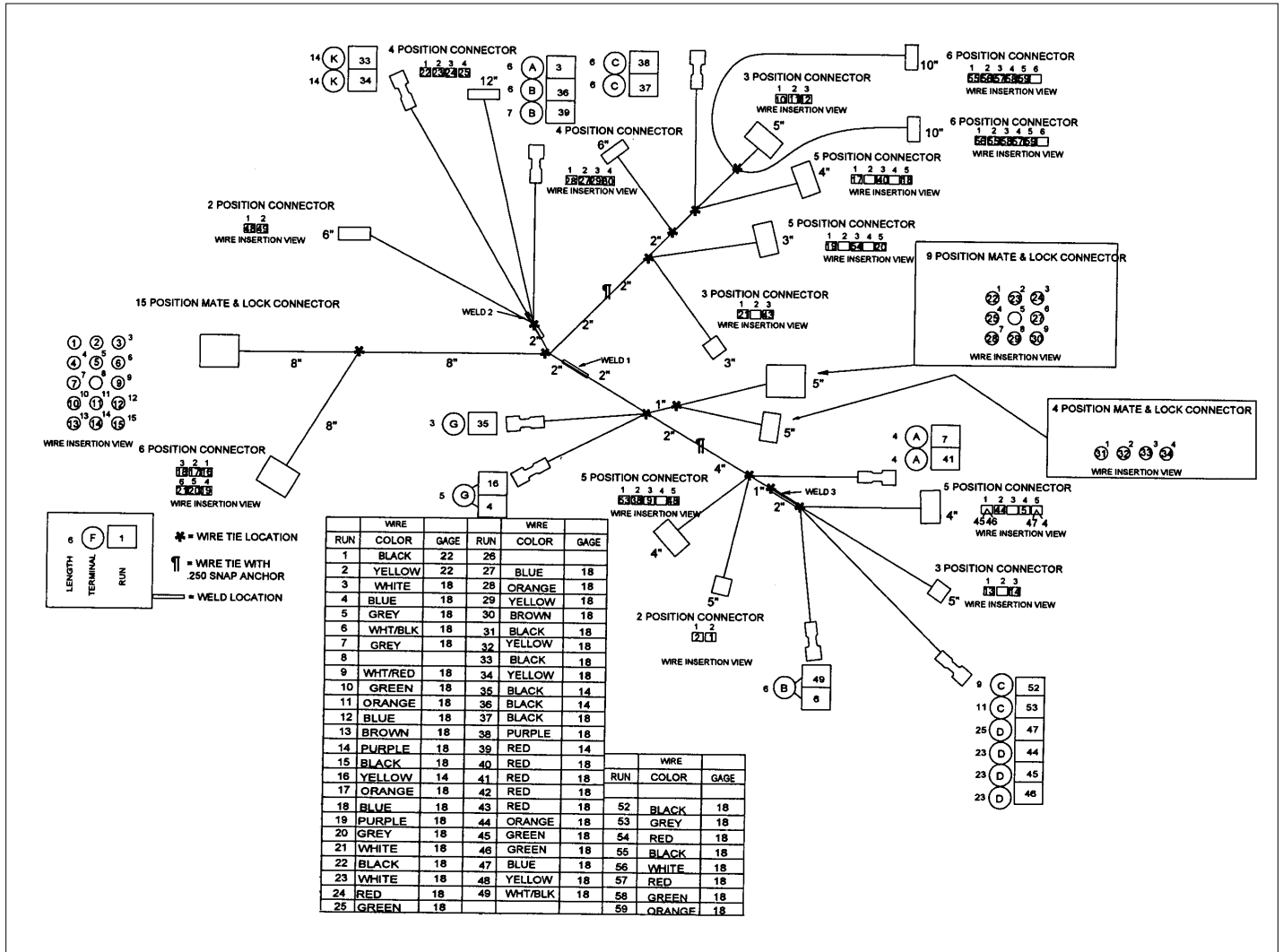
Item	Part No.	Name	Qty	Uom	NOTES
17	050172-000	KNOB BEZEL	4	EA	
18	PA010192	DES. MANUAL TIME KNOB	1	EA	
19	PD020261	#8-32X1/2" PH PANHEAD MACH. SCREW	8	EA	
20	PB010313	DESIGNER BIT GENERATOR KNOB	1	EA	
20	PB010313PVD	DESIGNER BIT GENERATOR KNOB-BRASS	1	EA	NO LONGER AVAILABLE
21	PB010305	PROF. SELECTOR/THERMOSTAT KNOB	4	EA	
22	PA010093	DESIGNER OVEN LT SWITCH KNOB	1	EA	
23	009589-000	BRACKET, LT	1	EA	Not available online / Call for pricing and availability
24	G40015469	DESIGNER OVEN LIGHT SWITCH	1	EA	
25	PD040004	GROMMET BUMPER	2	EA	
26	007671-000	BRACKET, CLOCK LEFT	1	EA	Not available online / Call for pricing and availability

LOWER CAVITY INT



Item	Part No.	Name	Qty	Uom	NOTES
1	024234-000	PREMIERE BROIL ELEMENT BRACKET FRONT	1	EA	
2	024221-000	BROIL ELEMENT BRACKET REAR	1	EA	
3	PE050206	RTD THERMOSTAT PROBE	1	EA	
4	024040-000	SEALED BROIL ELEMENT W/GLASS	1	EA	
5	PB070312	CONVECTION MOTOR MTG. PLATE INSULATION	1	EA	
6	G32014020	CONVECTION FAN ASSY	1	EA	
7	PJ010047	CONVECTION ELEMENT	1	EA	
8	PD020055	#10 X 1/2" PAN PHIL. TEK. SS	13	EA	
9	PD020013	TYPE "AB" #6 X 3/8 PH PAN HD. SMS	2	EA	
10	PD020232	NO.8 X 3/4 PH PAN HEAD TEK SCREW (BLACK OXIDE)	8	EA	
11	PB060103	RACK SUPPORT RH	1	EA	
12	A2009696	HOLDER, BAKE ELEMENT	2	EA	
13	PJ010048	BAKE ELEMENT	1	EA	
14	PB070303	30" BOTTOM INSULATION	1	EA	
15	G3009694	BASE MODULE ASSY 30"	1	EA	
16	020477-000	DIVERTER, AIR, BOT, FLAT, 30"	1	EA	
17	E9109655	COVER, BAKE TRAY	1	EA	
18	PD020063	SCREW-#8(A) X 3/8"PH WFR HD/BK OXID	4	EA	
19	A2009612	ELEMENT, MTG TRAY	1	EA	
20	PD020060	10 X 1/2" (5/16)HEX WSHER HD.(T)A	14	EA	
21	PB060107	30" OVEN RACK	3	EA	
22	024102-000	PULLOUT RACK, 30"	1	EA	
23	005311-000	LAMP, OVEN, 120V/25W	2	EA	
24	PB060104	RACK SUPPORT LH	1	EA	
25	G91013598	30" BAFFLE ASSEMBLY	1	EA	
26	PB080020	BROILER PAN RACK	1	EA	
27	E9107933	BROILER PAN	1	EA	
28	E9107934	BROILER PAN INSERT - NLA	1	EA	

LOWER CONTROL HARNESS

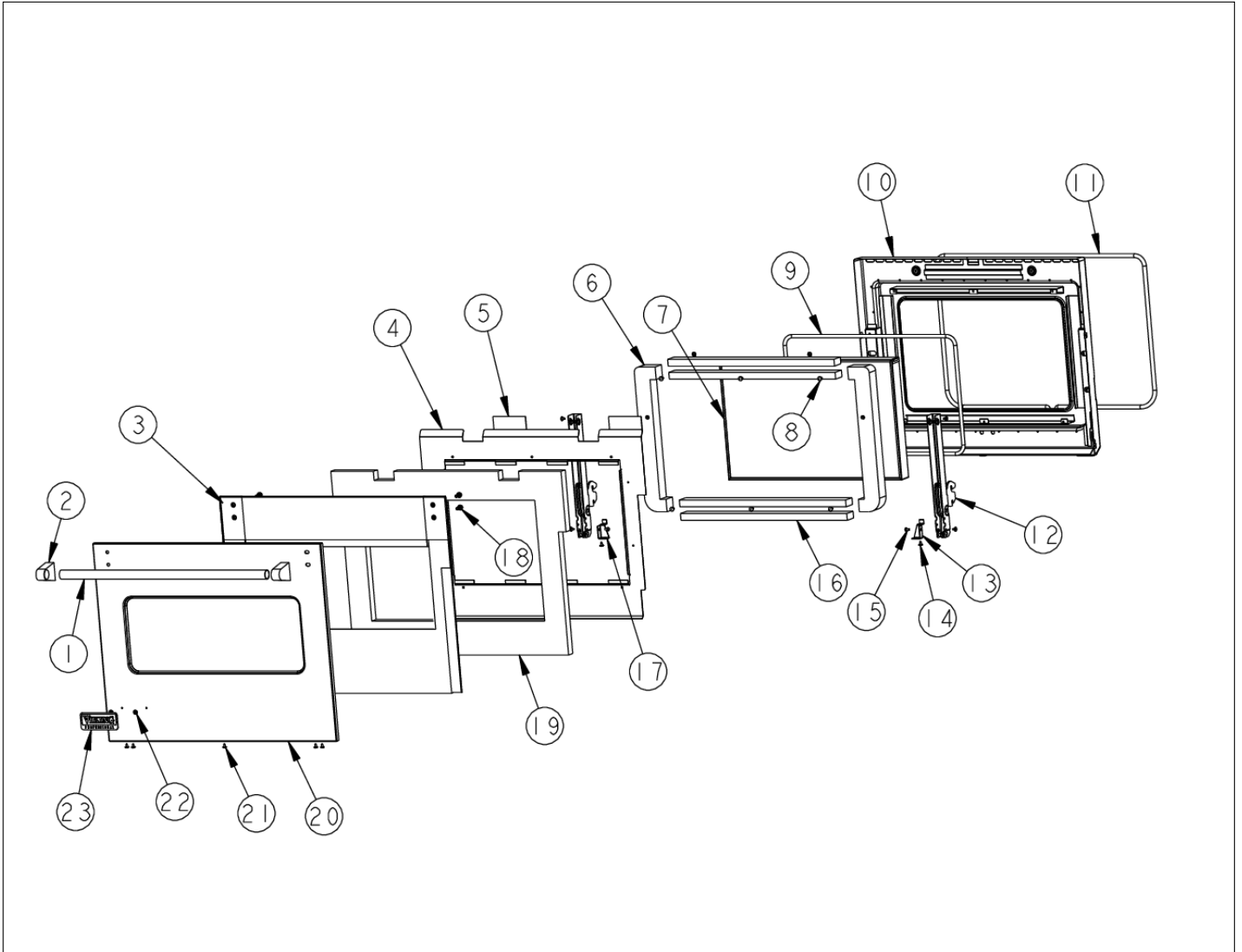




VEDO5301

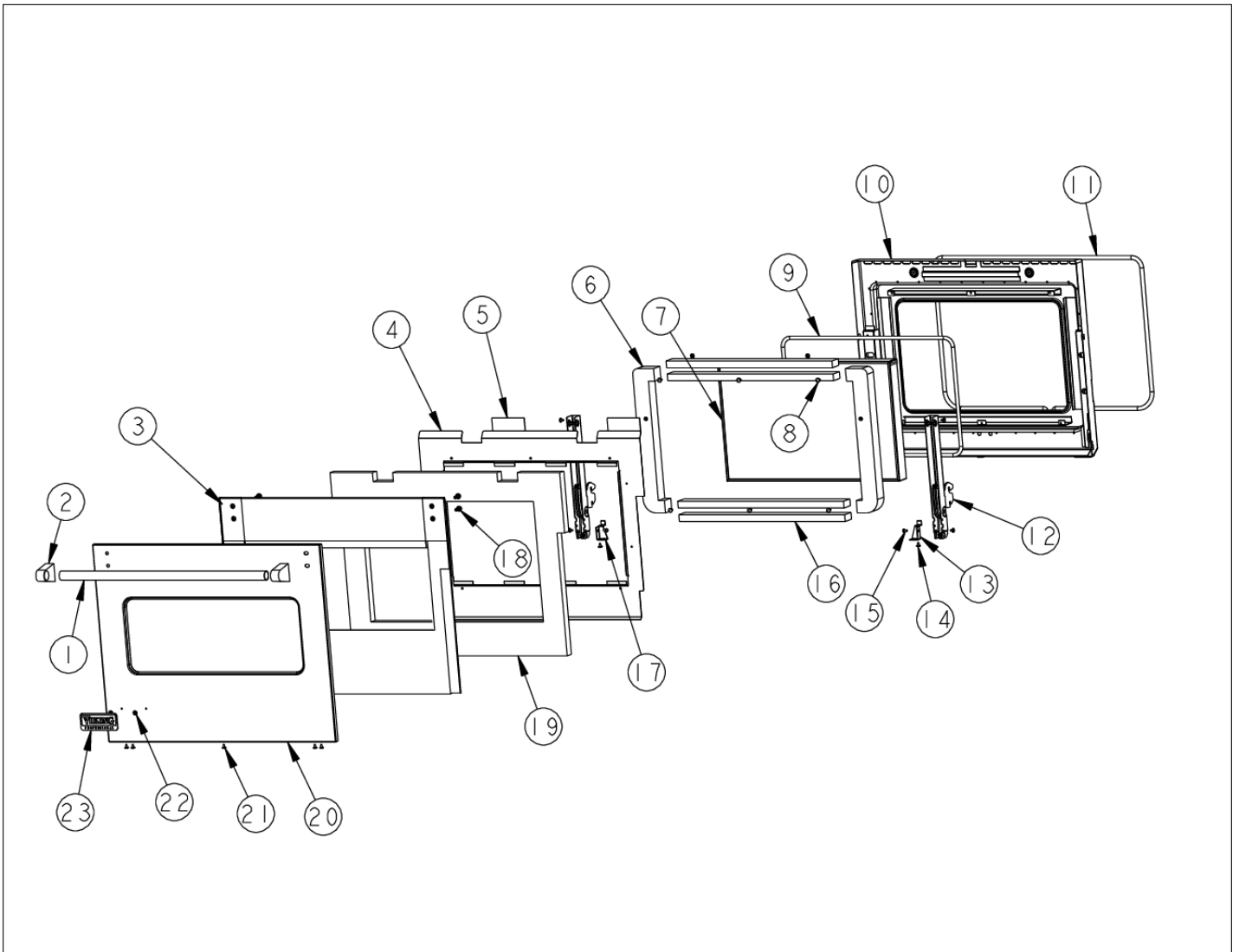
Item	Part No.	Name	Qty	Uom	NOTES
1	PE070736	LOWER CONTROL HARNESS	1	EA	

LOWER DOOR



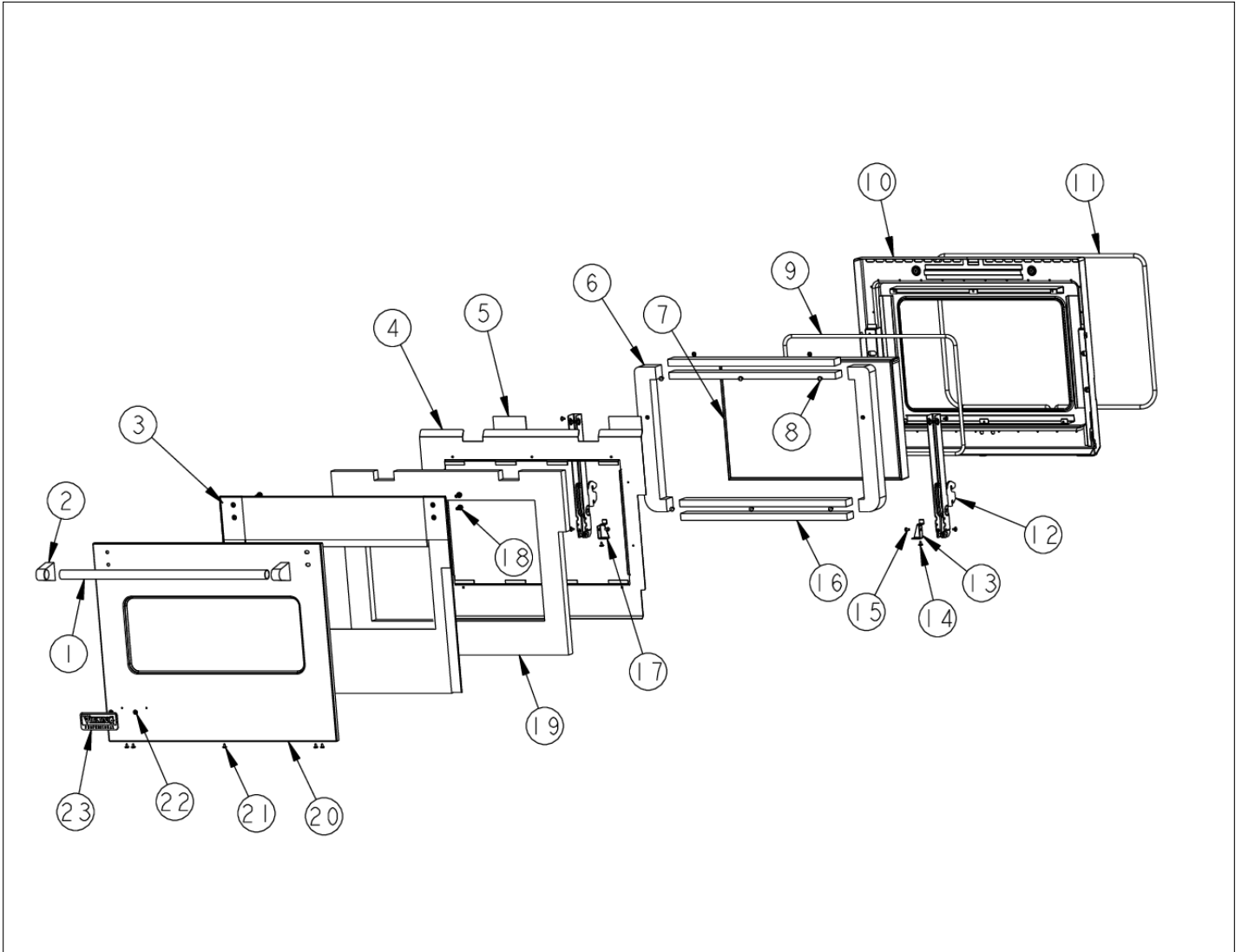


Item	Part No.	Name	Qty	Uom	NOTES
1	PE030179	30" PROF. DOOR HANDLE	1	EA	
Not Shown	PE030179PVD	30" PROF. DOOR HANDLE *PVD* 24.907	1	EA	NO LONGER AVAILABLE, Not available online / Call for pricing and availability
2	000268-000	HANDLE ENDCAP	2	EA	
Not Shown	PE030001PVD	END CAP DOOR HANDLE *BR	2	EA	
3	001499-000	Pro 30" Insulation Retainer Kit (After 7-17-06)	1	EA	NO LONGER AVAILABLE
4	A2009632	PANEL, INSULATION, INNER DOOR	1	EA	
5	PB070336	Door Bracket Insulation	2	EA	
6	PB070271	DOOR PLUG INSULATION	2	EA	
7	PE060094	30" WINDOW PACK	1	EA	
8	PD020002	10 X 1/2 PH TR HD SMS	10	EA	
9	000594-000	BLACK FIBERGLASS ROPE 3/8	1	EA	
10	G9109625	DOOR LINER PORC	1	EA	
11	PB070246	30" DOOR GASKET	1	EA	
12	006070-000	HINGE, DOOR, ASM, MANSFIELD, DES, GREEN SPRING	2	EA	
13	A20012640	HINGE SUPPORT RH	1	EA	
14	PD020063	SCREW-#8(A) X 3/8"PH WFR HD/BK OXID	2	EA	
15	PD020004	10X3/8PH.HD.TYPE 25 REPL PD040125	2	EA	
16	PB070269	30" WINDOW PACK INSULATION	4	EA	
17	A20012641	HINGE SUPPORT LH	1	EA	
18	PD020186	1/4"-20 X 3/4" HEX WASHER HEAD MS	4	EA	Not available online / Call for pricing and availability
19	PB070272	30" DOOR INSULATION	1	EA	
20	PS500015AL	30" PRO DOOR SKIN SVC KIT W/LOGO AFTER 07/17/06 - AL	1	EA	NO LONGER AVAILABLE, Not available online / Call for pricing and availability

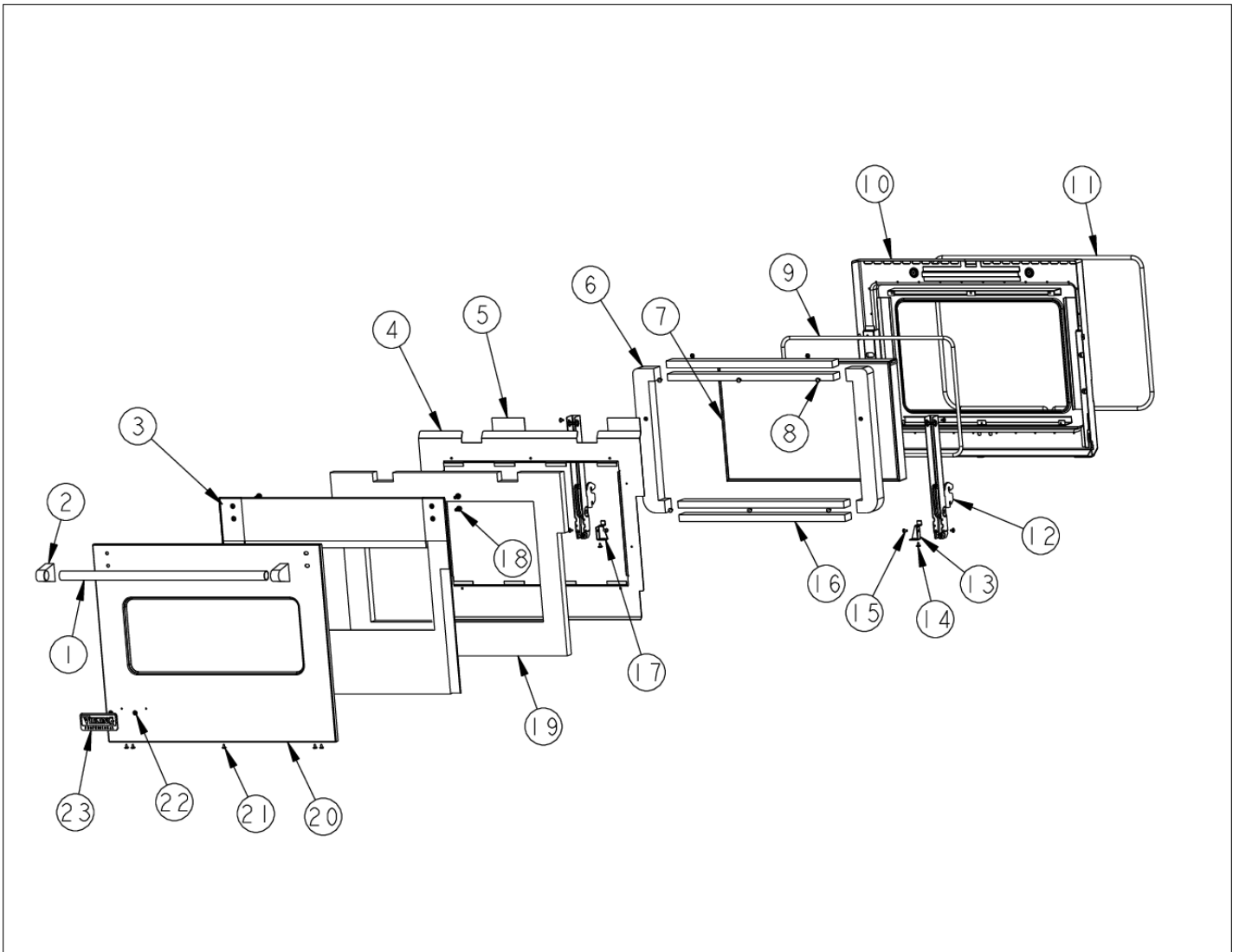




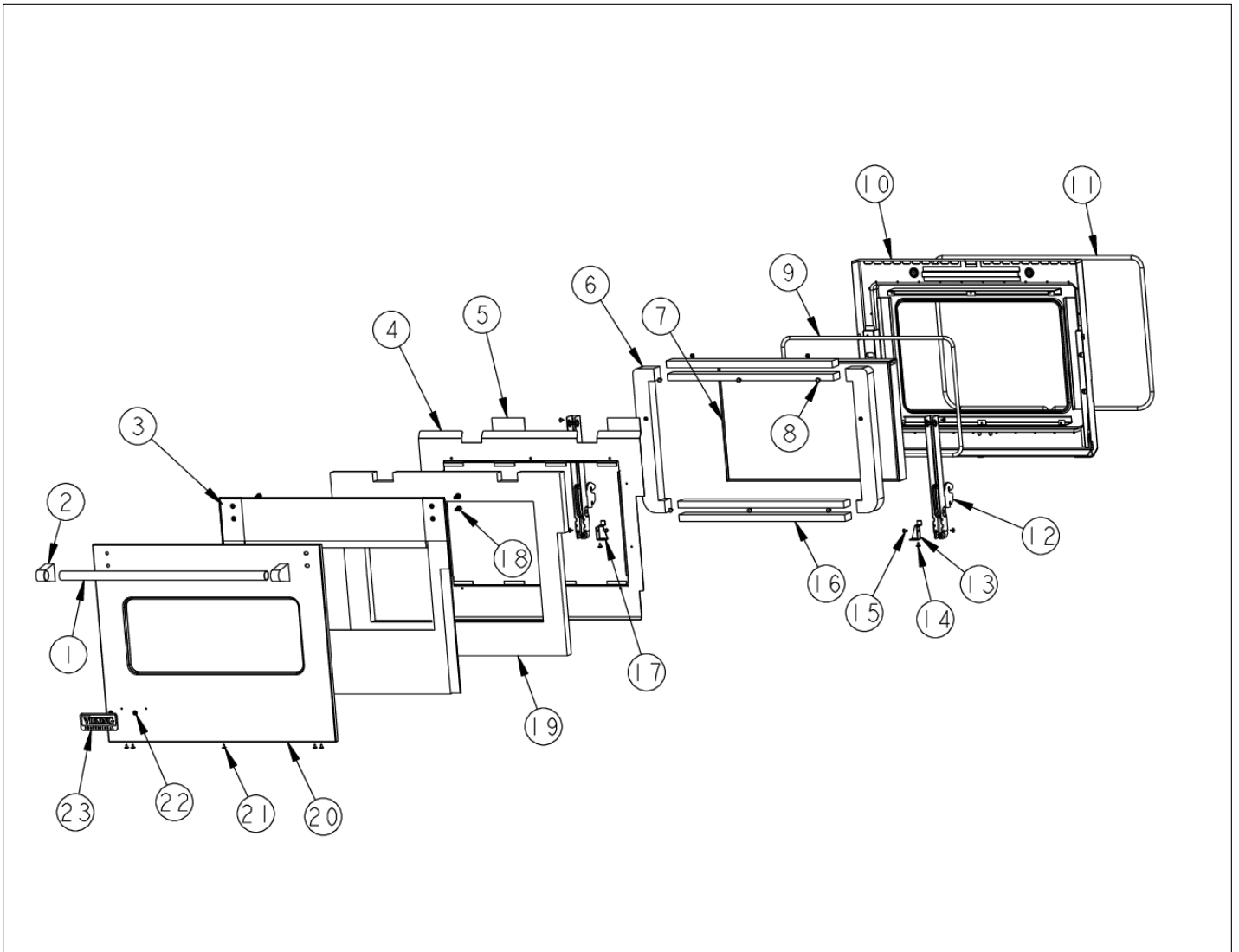
Item	Part No.	Name	Qty	Uom	NOTES
Not Shown	PS500015ALBR	30" PRO DOOR SKIN SVC KIT W/LOGO AFTER 07/17/06 - AL/BR	1	EA	NO LONGER AVAILABLE
Not Shown	PS500015BK	30" PRO DOOR SKIN SVC KIT W/LOGO AFTER 07/17/06 -BK	1	EA	
Not Shown	PS500015BKBR	30" PRO DOOR SKIN SVC KIT W/LOGO AFTER 07/17/06 - BK/BR	1	EA	Not available online / Call for pricing and availability
Not Shown	PS500015BT	30" PRO DOOR SKIN SVC KIT W/LOGO AFTER 07/17/06 - BT	1	EA	NO LONGER AVAILABLE
Not Shown	PS500015BTBR	30" PRO DOOR SKIN SVC KIT W/LOGO AFTER 07/17/06 - BTBR	1	EA	NO LONGER AVAILABLE
Not Shown	PS500015BU	30" PRO DOOR SKIN SVC KIT W/LOGO AFTER 07/17/06 -BU	1	EA	
Not Shown	PS500015BUBR	30" PRO DOOR SKIN SVC KIT W/LOGO AFTER 07/17/06 - BU/BR	1	EA	NO LONGER AVAILABLE
Not Shown	PS500015CB	30" PRO DOOR SKIN SVC KIT W/LOGO AFTER 07/17/06 - CB	1	EA	Not available online / Call for pricing and availability
Not Shown	PS500015CBBR	30" PRO DOOR SKIN SVC KIT W/LOGO AFTER 07/17/06 - CB/BR	1	EA	
Not Shown	PS500015EP	30" PRO DOOR SKIN SVC KIT W/LOGO AFTER 07/17/06 - EP	1	EA	NO LONGER AVAILABLE, Not available online / Call for pricing and availability
Not Shown	PS500015EPBR	30" PRO DOOR SKIN SVC KIT W/LOGO AFTER 07/17/06 - EP/BR	1	EA	NO LONGER AVAILABLE, Not available online / Call for pricing and availability
Not Shown	PS500015FG	30" PRO DOOR SKIN SVC KIT W/LOGO AFTER 07/17/06 - FG	1	EA	NO LONGER AVAILABLE, Not available online / Call for pricing and availability
Not Shown	PS500015FGBR	30" PRO DOOR SKIN SVC KIT W/LOGO AFTER 07/17/06 - FG/BR	1	EA	NO LONGER AVAILABLE, Not available online / Call for pricing and availability
Not Shown	PS500015GG	30" PRO DOOR SKIN SVC KIT W/LOGO AFTER 07/17/06 -GG	1	EA	Not available online / Call for pricing and availability



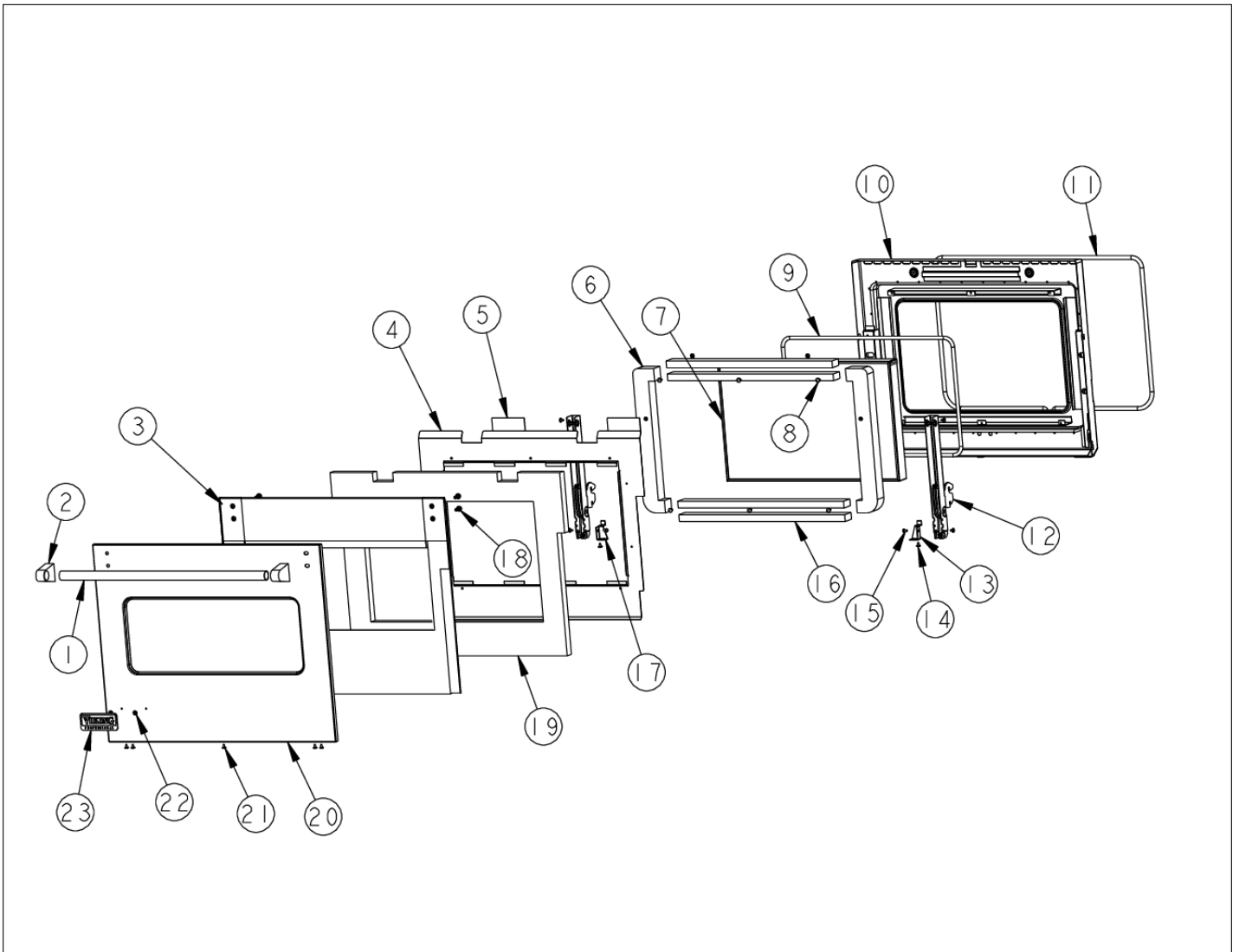
Item	Part No.	Name	Qty	Uom	NOTES
Not Shown	PS500015GGBR	30" PRO DOOR SKIN SVC KIT W/LOGO AFTER 07/17/06 - GG/BR	1	EA	NO LONGER AVAILABLE, Not available online / Call for pricing and availability
Not Shown	PS500015LE	30" PRO DOOR SKIN SVC KIT W/LOGO AFTER 07/17/06 - LE	1	EA	NO LONGER AVAILABLE, Not available online / Call for pricing and availability
Not Shown	PS500015LEBR	30" PRO DOOR SKIN SVC KIT W/LOGO AFTER 07/17/06 - LE/BR	1	EA	NO LONGER AVAILABLE, Not available online / Call for pricing and availability
Not Shown	PS500015MJ	30" PRO DOOR SKIN SVC KIT W/LOGO AFTER 07/17/06 - MJ	1	EA	NO LONGER AVAILABLE
Not Shown	PS500015MJBR	30" PRO DOOR SKIN SVC KIT W/LOGO AFTER 07/17/06 - MJ/BR	1	EA	NO LONGER AVAILABLE, Not available online / Call for pricing and availability
Not Shown	PS500015SE	30" PRO DOOR SKIN SERVICE KIT W/LOGO AFTER 07/17/06- SE	1	EA	
Not Shown	PS500015SG	30" PRO DOOR SKIN SVC KIT W/LOGO AFTER 07/17/06 - SG	1	EA	
Not Shown	PS500015SGBR	30" PRO DOOR SKIN SVC KIT W/LOGO AFTER 07/17/06 - SGBR	1	EA	NO LONGER AVAILABLE, Not available online / Call for pricing and availability
Not Shown	PS500015SS	30" PRO DOOR SKIN SVC KIT W/LOGO AFTER 07/17/06 -SS	1	EA	
Not Shown	PS500015SSBR	30" PRO DOOR SKIN SVC KIT W/LOGO AFTER 07/17/06 - SS/BR	1	EA	Not available online / Call for pricing and availability
Not Shown	PS500015VB	30" PRO DOOR SKIN SVC KIT W/LOGO AFTER 07/17/06 - VB	1	EA	Not available online / Call for pricing and availability
Not Shown	PS500015VBBR	30" PRO DOOR SKIN SVC KIT W/LOGO AFTER 07/17/06 - VBBR	1	EA	
Not Shown	PS500015WH	30" PRO DOOR SKIN SVC KIT W/LOGO AFTER 07/17/06 - WH	1	EA	
Not Shown	PS500015WHBR	30" PRO DOOR SKIN SVC KIT W/LOGO AFTER 07/17/06 - WH/BR	1	EA	NO LONGER AVAILABLE, Not available online / Call for pricing and availability



Item	Part No.	Name	Qty	Uom	NOTES
Not Shown	PS500015CW	30" PRO DOOR SKIN SVC KIT W/LOGO AFTER 7/17/06 - CW	1	EA	Not available online / Call for pricing and availability
21	PD020032	SRW-8(A)X3/8"PH.WFR HD 7/16DIA*NICL	5	EA	
22	PD030006	CAPPED WASHER PAL NUT	5	EA	
23	PE010016	LOGO (ALL RANGES) *BK/CHR 307997W	1	EA	
Not Shown	PE010017	LOGO (VGSO,VEDO,VGDO,VUD) *WH/CHR	1	EA	
Not Shown	PE010079	4.5" LOGO/VIKING PROF *BK/BR	1	EA	
Not Shown	PE010080	4.5" LOGO/VIKING PROF *WH/BR	1	EA	
NI	G32012723AL	30" DOOR ASSY W/LOGO *AL*	1	EA	NO LONGER AVAILABLE
Not Shown	G32012723ALBR	COMPLETE DOOR ASSY. - ALBR	1	EA	Not available online / Call for pricing and availability
Not Shown	G32012723BK	30" DOOR ASSY W/LOGO *BK*	1	EA	Not available online / Call for pricing and availability
Not Shown	G32012723BKBR	30" DOOR ASSY W/LOGO *BKBR*	1	EA	NO LONGER AVAILABLE
Not Shown	G32012723BT	30" DOOR ASSY W/LOGO *BT*	1	EA	NO LONGER AVAILABLE, Not available online / Call for pricing and availability
Not Shown	G32012723BTBR	COMPLETE DOOR ASSY. - BTBR	1	EA	Not available online / Call for pricing and availability
Not Shown	G32012723BU	30" DOOR ASSY W/LOGO *BU*	1	EA	NO LONGER AVAILABLE, Not available online / Call for pricing and availability
Not Shown	G32012723BUBR	COMPLETE DOOR ASSY. - BUBR	1	EA	Not available online / Call for pricing and availability



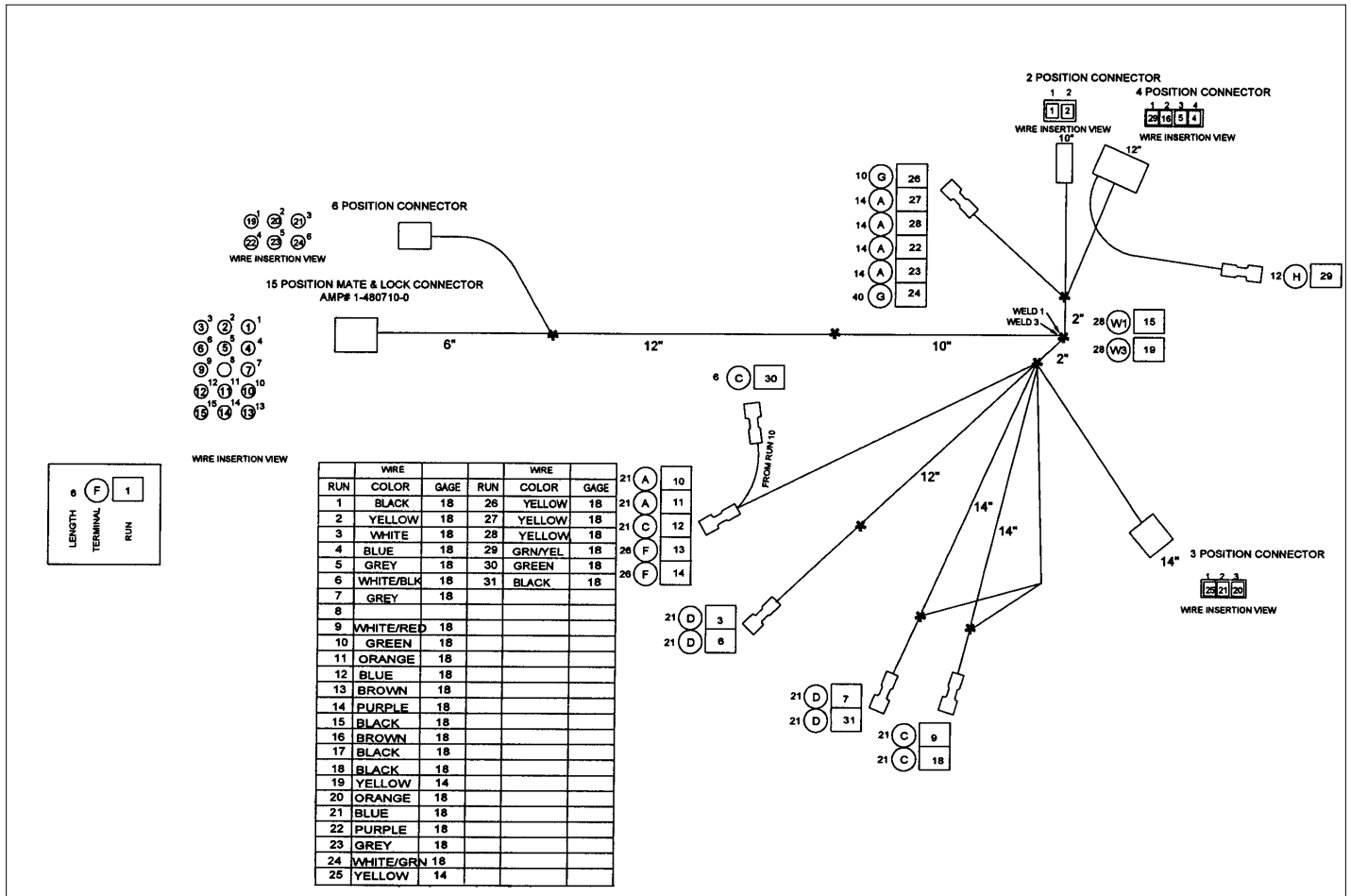
Item	Part No.	Name	Qty	Uom	NOTES
Not Shown	G32012723CB	30" DOOR ASSY W/LOGO *CB*	1	EA	NO LONGER AVAILABLE, Not available online / Call for pricing and availability
Not Shown	G32012723CBBR	30" DOOR ASSY W/LOGO *CBBR*	1	EA	
Not Shown	G32012723EP	30" DOOR ASSY W/LOGO *EP*	1	EA	NO LONGER AVAILABLE, Not available online / Call for pricing and availability
Not Shown	G32012723EPBR	COMPLETE DOOR ASSY. - EPBR	1	EA	Not available online / Call for pricing and availability
Not Shown	G32012723FG	30" DOOR ASSY W/LOGO *FG*	1	EA	NO LONGER AVAILABLE, Not available online / Call for pricing and availability
Not Shown	G32012723FGBR	COMPLETE DOOR ASSY. - FGBR	1	EA	Not available online / Call for pricing and availability
Not Shown	G32012723GG	30" DOOR ASSY W/LOGO *GG*	1	EA	NO LONGER AVAILABLE
Not Shown	G32012723GGBR	COMPLETE DOOR ASSY. - GGBR	1	EA	Not available online / Call for pricing and availability
Not Shown	G32012723LE	30" DOOR ASSY W/LOGO *LE*	1	EA	NO LONGER AVAILABLE, Not available online / Call for pricing and availability
Not Shown	G32012723LEBR	COMPLETE DOOR ASSY. - LEBR	1	EA	Not available online / Call for pricing and availability
Not Shown	G32012723MJ	30" DOOR ASSY W/LOGO *MJ*	1	EA	NO LONGER AVAILABLE
Not Shown	G32012723MJBR	COMPLETE DOOR ASSY. - MJBR	1	EA	Not available online / Call for pricing and availability
Not Shown	G32012723SG	30" DOOR ASSY W/LOGO *SG*	1	EA	
Not Shown	G32012723SGBR	COMPLETE DOOR ASSY. - SGBR	1	EA	Not available online / Call for pricing and availability





Item	Part No.	Name	Qty	Uom	NOTES
Not Shown	G32012723SS	30" DOOR ASSY W/LOGO	1	EA	
Not Shown	G32012723SSBR	COMPLETE DOOR ASSY. - SSBR	1	EA	Not available online / Call for pricing and availability
Not Shown	G32012723VB	30" DOOR ASSY W/LOGO *VB*	1	EA	NO LONGER AVAILABLE, Not available online / Call for pricing and availability
Not Shown	G32012723VBBR	COMPLETE DOOR ASSY. - VBBR	1	EA	Not available online / Call for pricing and availability
Not Shown	G32012723WH	30" DOOR ASSY W/LOGO *WH*	1	EA	NO LONGER AVAILABLE
Not Shown	G32012723WHBR	COMPLETE DOOR ASSY. - WHBR	1	EA	

LOWER LATCH HARNESS

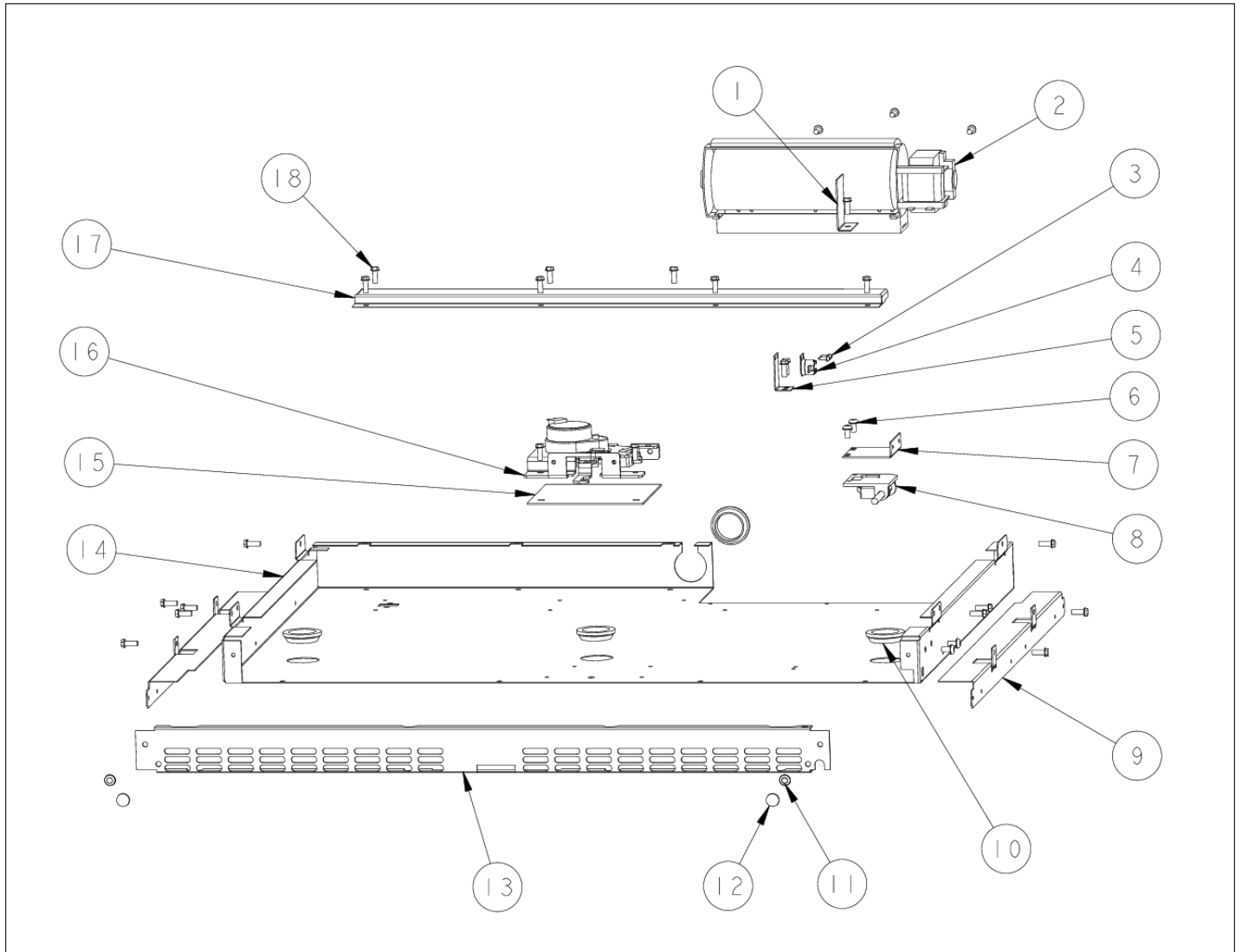




VEDO5301

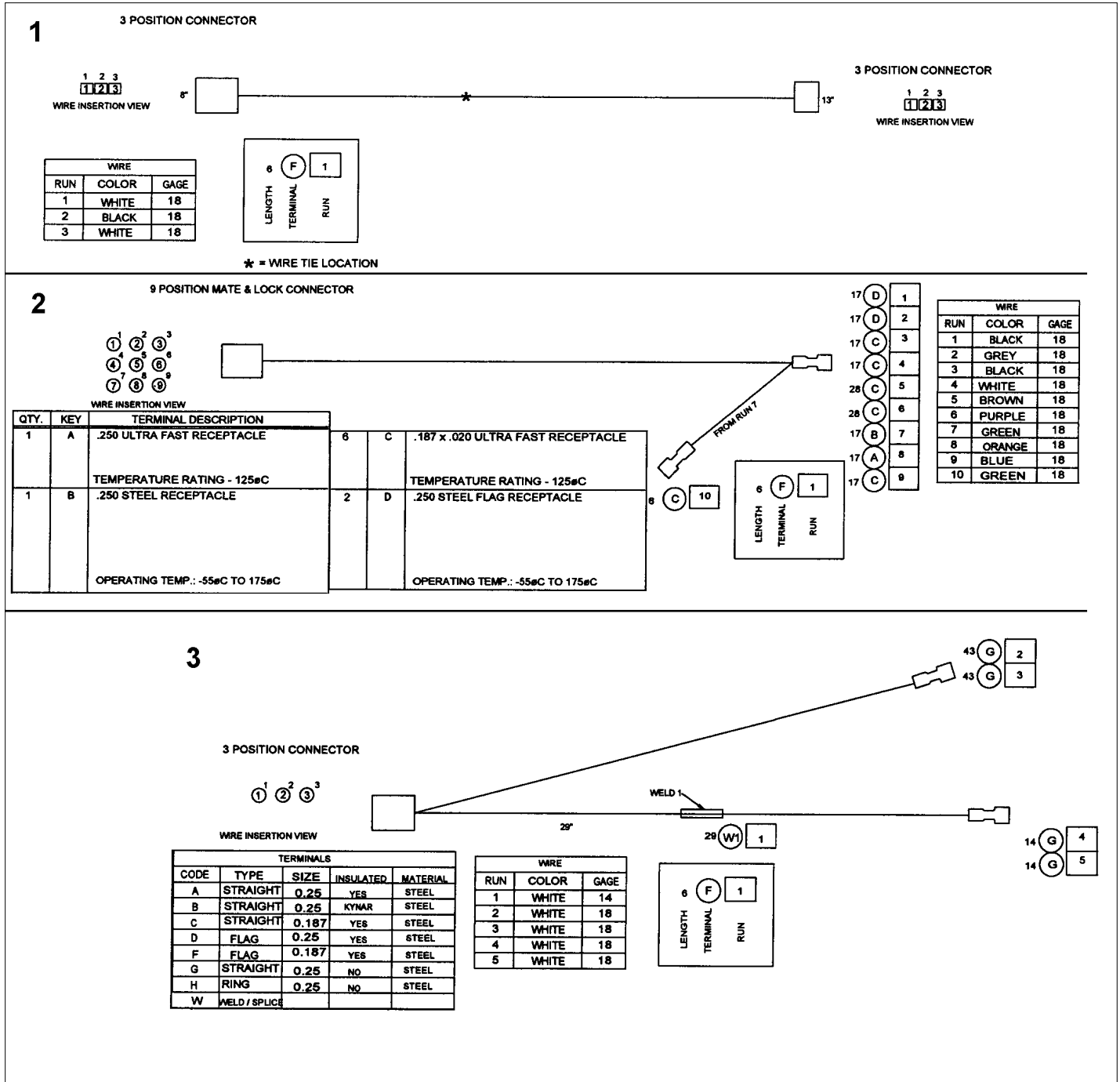
Item	Part No.	Name	Qty	Uom	NOTES
1	PE070740	LOWER LATCH HARNESS	1	EA	

LOWER OVEN ELEC



Item	Part No.	Name	Qty	Uom	NOTES
1	A20014036	BOTTOM BLOWER DIVIDER	1	EA	
2	PE050250	Blower	1	EA	
Comments for Part Num. PE050250 highendappsvc@gmail.com on Jan 28, 2019 If you need to replace cooling fan for the model vgsc5486gss serial date code 031412, do not order this fan, this fan is larger and configured wrong. The correct fan is 007794-000. it is smaller.					
Not Shown	NOTE	(BEFORE 02/04/13)		EA	
2	018607-000	FAN, BLO, 220-240V 50/60 HZ ASM	1	EA	
Not Shown	NOTE	(ON OR AFTER 02/04/13)		EA	
3	PD020013	TYPE "AB" #6 X 3/8 PH PAN HD. SMS	2	EA	
4	PJ030039	BI-METAL THERMOSTAT 275 DEGREES	1	EA	
5	A20014089	DISC BRACKET	1	EA	
6	PD020004	10X3/8PH.HD.TYPE 25 REPL PD040125	4	EA	
7	A20012649	DOOR SWITCH BRACKET	1	EA	
8	PE050208	DOOR SWITCH	1	EA	
9	A2009641	BRKT, TOP WRAPPER	2	EA	
10	PB070079	SILICONE EXTRUSION (DGSU)	4	EA	
11	PD020063	SCREW-#8(A) X 3/8"PH WFR HD/BK OXID	2	EA	
12	PD040004	GROMMET BUMPER	2	EA	
13	020478-002	GRILL, INL, LOWER, DBL OVEN, 30" BK	1	EA	
14	Not Replaceable	Module Pan		EA	Not available online / Call for pricing and availability
15	PB070321	Lower Latch Insulation	1	EA	
16	013250-000	LATCH,DOOR,ASM,240V,GRID DLE LOCKOUT	1	EA	
17	A2009682	CATALYST EXHAUST, MIDDLE MODULE	1	EA	
18	PD020060	10 X 1/2" (5/16)HEX WSHER HD.(T)A	25	EA	

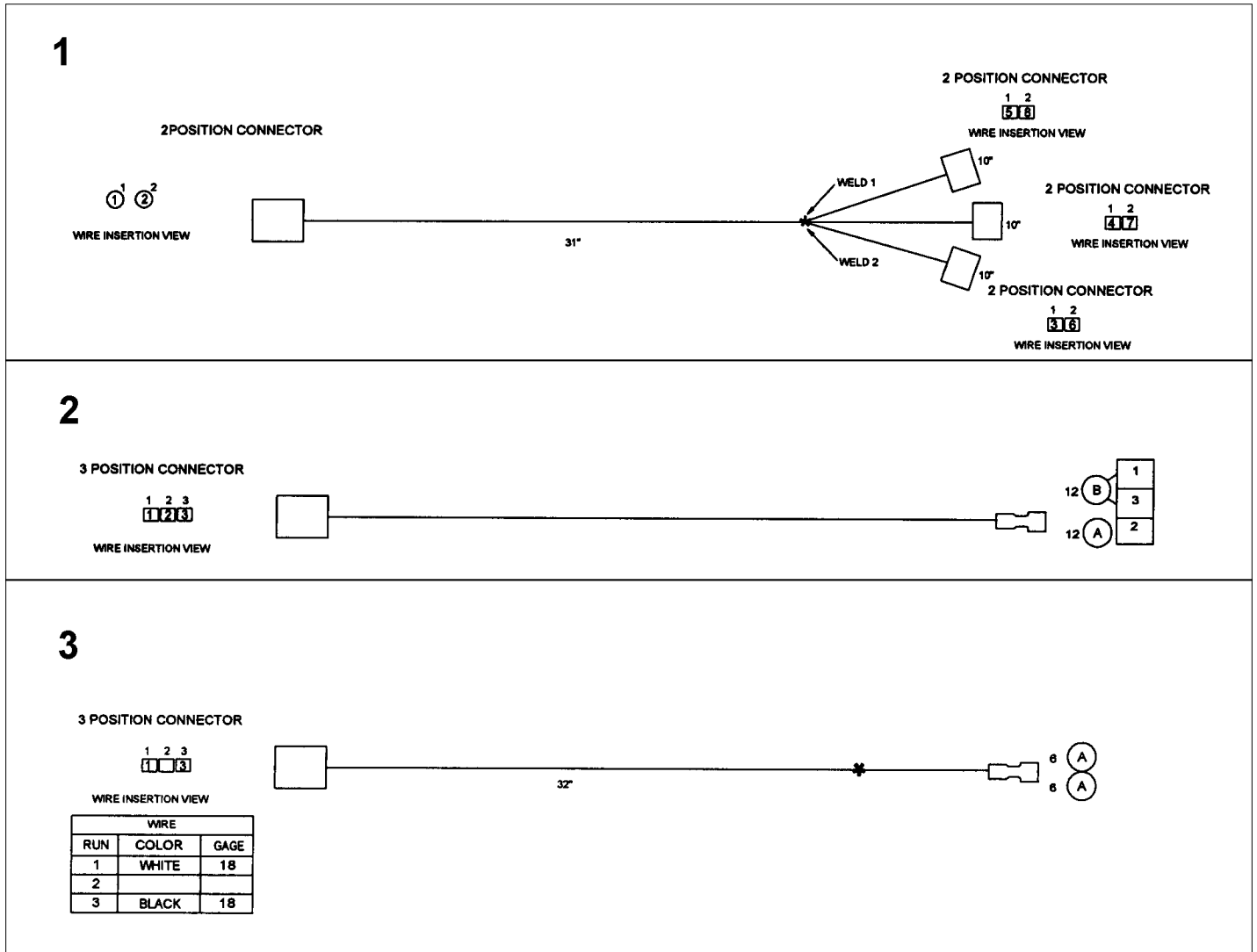
SIMPLE HARNESSES 1





Item	Part No.	Name	Qty	Uom	NOTES
1	PE070738	T/STAT-SEL HARNESS	1	EA	
Not Shown	PE070733	UPPER LATCH HARNESS	1	EA	
Not Shown	PE070739	BAKE ELEMENT HARNESS	1	EA	
NI	G4005496	SUPPLY WIRE - 100" BK 10GA SO/DO	1	EA	
NI	G4005497	SUPPLY WIRE - 100" GREEN 10GA SO/DO	1	EA	
NI	G4005499	SUPPLY WIRE - 100" RED 10GA SO/DO	1	EA	
NI	G4005494	SUPPLY WIRE - 75" WH 12 GA SO/DO - NLA	1	EA	

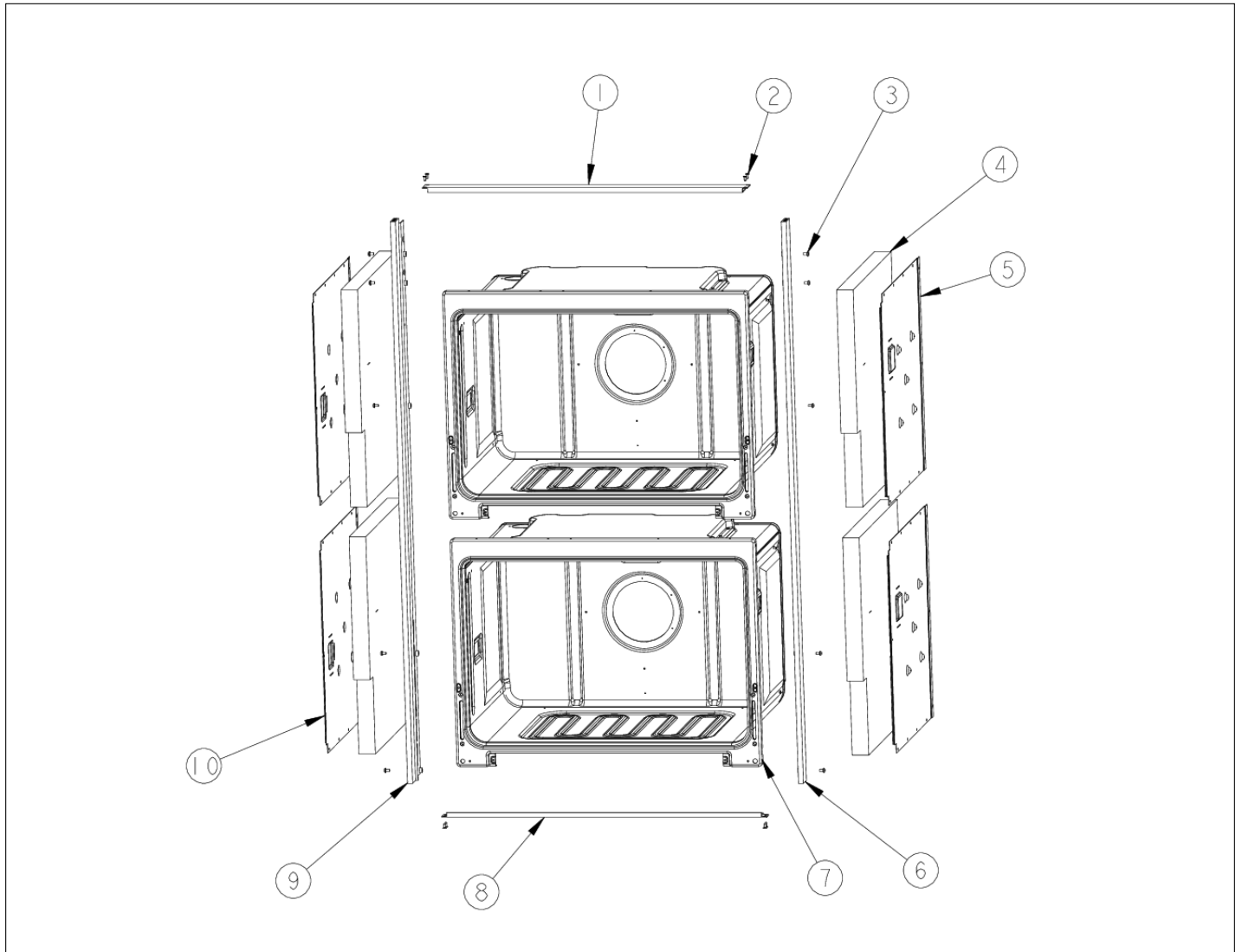
SIMPLE HARNESSES 2





Item	Part No.	Name	Qty	Uom	NOTES
1	PE070741	LOWER LIGHT HARNESS	1	EA	
2	PE070744	DOUBLE CLOCK HARNESS	1	EA	NO LONGER AVAILABLE
3	PE070735	MEAT PROBE HARNESS	1	EA	

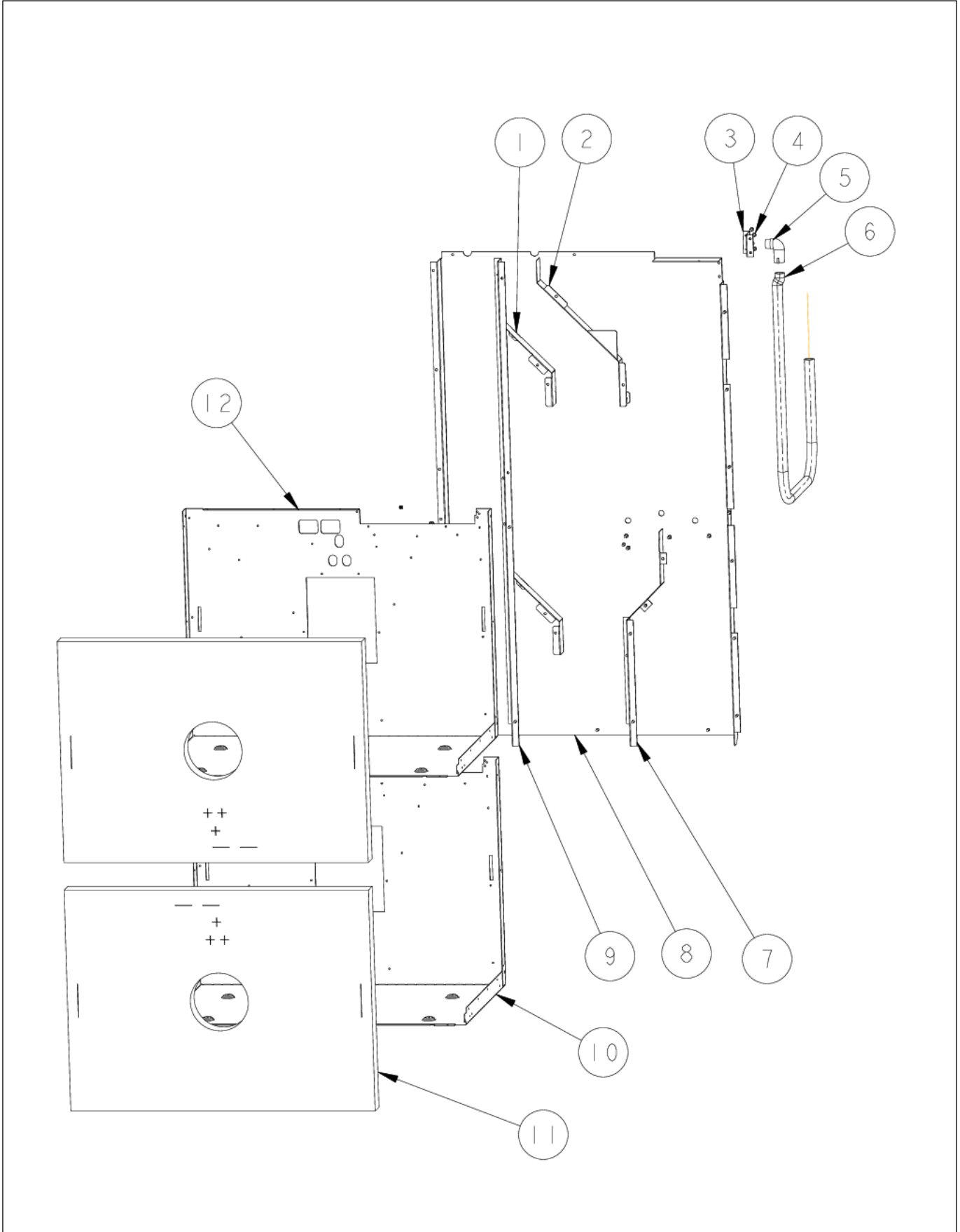
UNIT EXTERIOR





Item	Part No.	Name	Qty	Uom	NOTES
1	PE040273	30" PROF. TOP TRIM	1	EA	
2	PD020170	Screw, 6 X 1 Pan Hd	8	EA	
3	NOT REPLACEABLE	UPPER OVEN CAVITY	1	EA	
4	PD020002	10 X 1/2 PH TR HD SMS	4	EA	
5	PD020014	10X3/4 PH TR HD SMS	6	EA	
7	PE040277	PROF. DOUBLE SIDE TRIM RH	1	EA	
8	NOT REPLACEABLE	LOWER OVEN CAVITY	1	EA	
9	PE040274	30" PROF. BOTTOM TRIM	1	EA	
10	PE040278	PROF. DOUBLE SIDE TRIM LH	1	EA	
11	PB070302	SIDE INSULATION	4	EA	

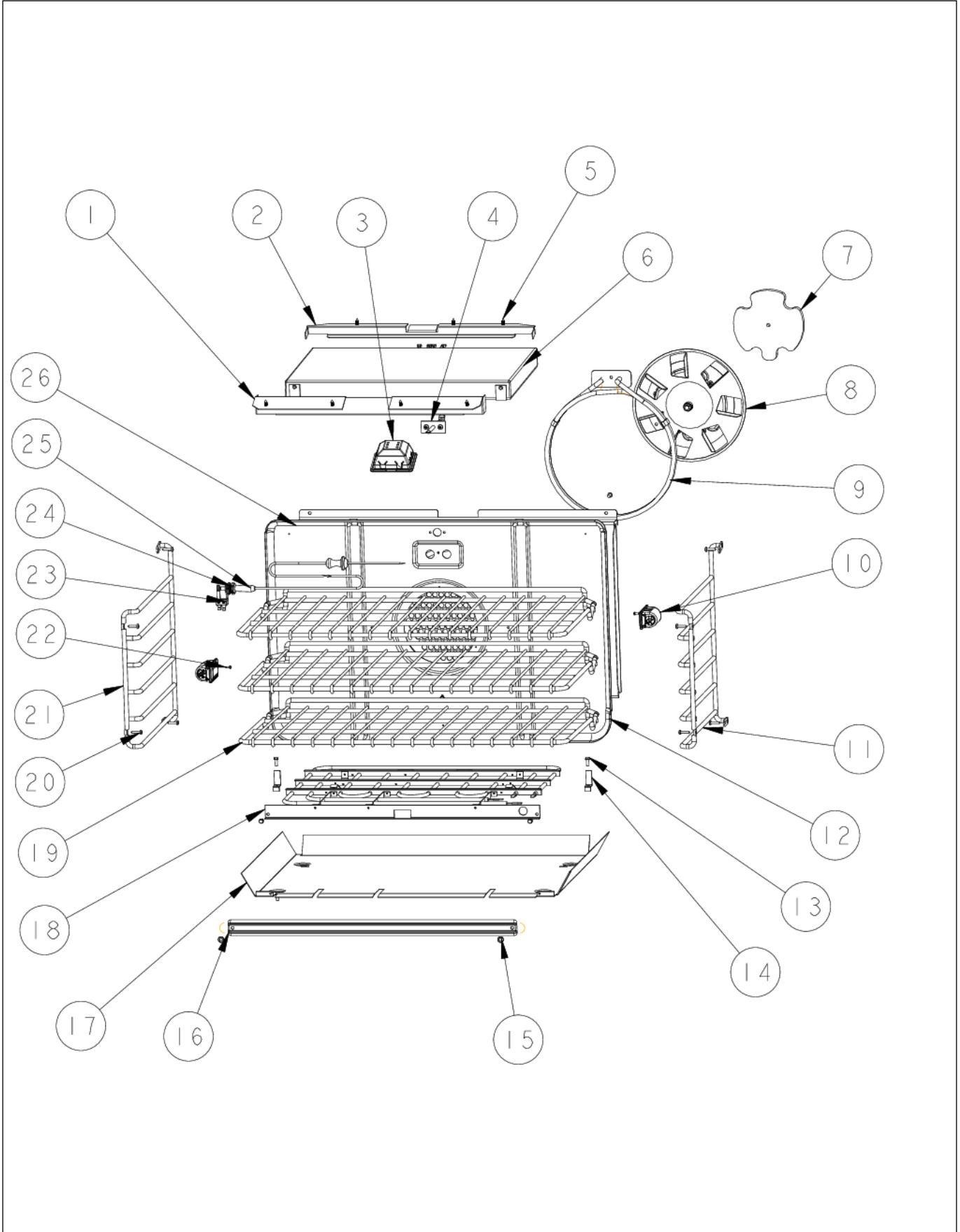
UNIT REAR



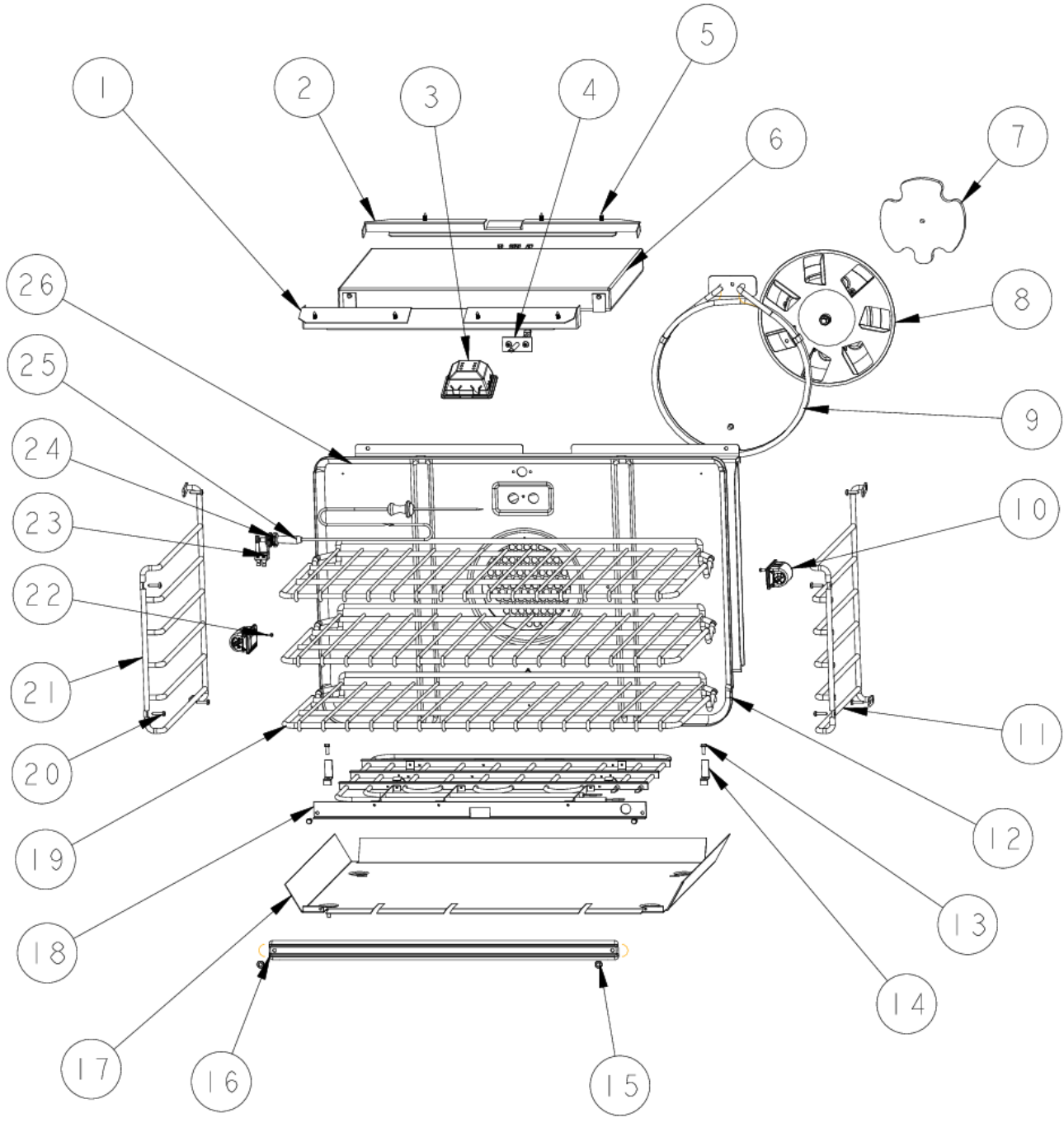


Item	Part No.	Name	Qty	Uom	NOTES
1	A21010919	BRACKET, AIR, CONVECTION MOTOR	1	EA	
2	A21010918	BRACKET, AIR, CONVECTION MOTOR	1	EA	
3	A2009671	BRACKET, POWER CABLE	1	EA	
4	PD020060	10 X 1/2" (5/16)HEX WSHR HD.(T)A	35	EA	
5	PB040070	CONDUIT FITTING (90 DEG)	1	EA	
6	PB020071	CONDUIT - FLEXIBLE (48")	1	EA	
7	050578-000	DUCT, AIR FLOW DIVIDER, WALL OVEN ASSY	1	EA	
8	A2009683	PANEL, REAR	1	EA	
9	A2009684	REAR AIR DIVIDER, DOUBLE OVEN	1	EA	
10	NOT REPLACEABLE	LOWER OVEN CAVITY REAR PANEL	1	EA	
11	PB070304	30" BACK INSULATION	1	EA	NO LONGER AVAILABLE, Not available online / Call for pricing and availability
12	NOT REPLACEABLE	UPPER OVEN CAVITY REAR PANEL	1	EA	

UPPER CAVITY INT



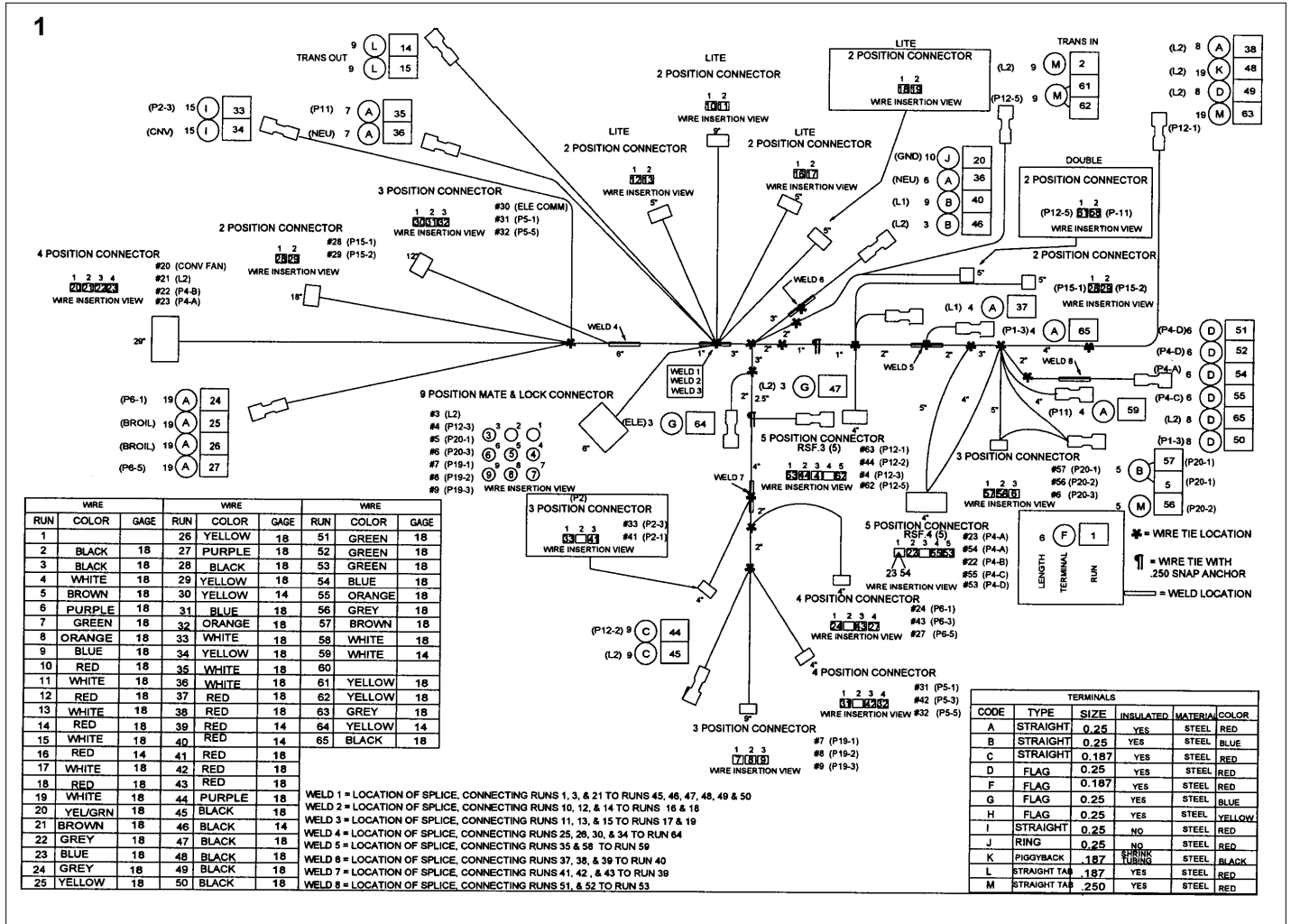
Item	Part No.	Name	Qty	Uom	NOTES
1	024234-000	PREMIERE BROIL ELEMENT BRACKET FRONT	1	EA	
2	024221-000	BROIL ELEMENT BRACKET REAR	1	EA	
3	020403-000	BJB SLIMLINE 40W BULB	1	EA	
4	PE050206	RTD THERMOSTAT PROBE	1	EA	
5	PD020055	#10 X 1/2" PAN PHIL. TEK. SS	12	EA	
6	024040-000	SEALED BROIL ELEMENT W/GLASS	1	EA	
7	PB070312	CONVECTION MOTOR MTG. PLATE INSULATION	1	EA	
8	G32014020	CONVECTION FAN ASSY	1	EA	
9	PJ010047	CONVECTION ELEMENT	1	EA	
10	005311-000	LAMP, OVEN, 120V/25W	2	EA	
11	PB060103	RACK SUPPORT RH	1	EA	
12	Not Replaceable	Module Pan		EA	Not available online / Call for pricing and availability
13	PD020060	10 X 1/2" (5/16)HEX WSHER HD.(T)A	7	EA	
14	A2009696	HOLDER, BAKE ELEMENT	2	EA	
15	PD020063	SCREW-#8(A) X 3/8"PH WFR HD/BK OXID	2	EA	
16	E9109655	COVER, BAKE TRAY	1	EA	
17	A2009612	ELEMENT, MTG TRAY	1	EA	
18	PJ010048	BAKE ELEMENT	1	EA	
19	PB060107	30" OVEN RACK	2	EA	
NI	024102-000	PULLOUT RACK, 30"	1	EA	
20	PD020232	NO.8 X 3/4 PH PAN HEAD TEK SCREW (BLACK OXIDE)	8	EA	
21	PB060104	RACK SUPPORT LH	1	EA	
22	PD020013	TYPE "AB" #6 X 3/8 PH PAN HD. SMS	2	EA	
23	PE050115	MEAT PROBE JACK	1	EA	





Item	Part No.	Name	Qty	Uom	NOTES
Comments for Part Num. PE050115					
bradleysapplianceservice@shaw.ca on May 8, 2017					
Meat probe is not illustrated on Parts Break Down.					
PE050114 MEAT PROBE					
24	PM010160	MEAT PROBE JACK COVER	1	EA	
25	PE050114	MEAT PROBE (DESO/DEDO) (SWITCHCRAFT'S PART # 4C7919)	1	EA	
26	G91013598	30" BAFFLE ASSEMBLY	1	EA	

UPPER CONTROL HARNESS

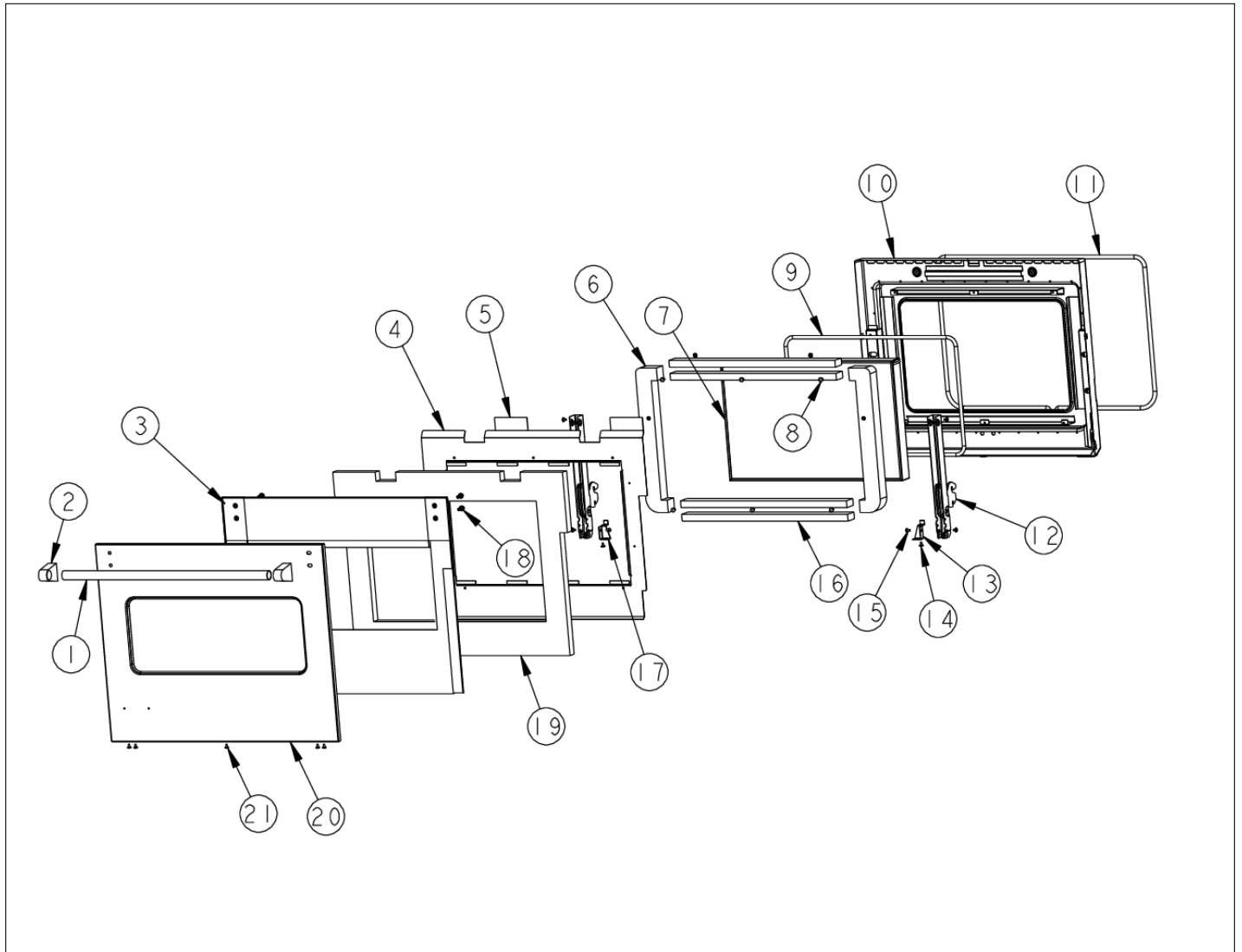




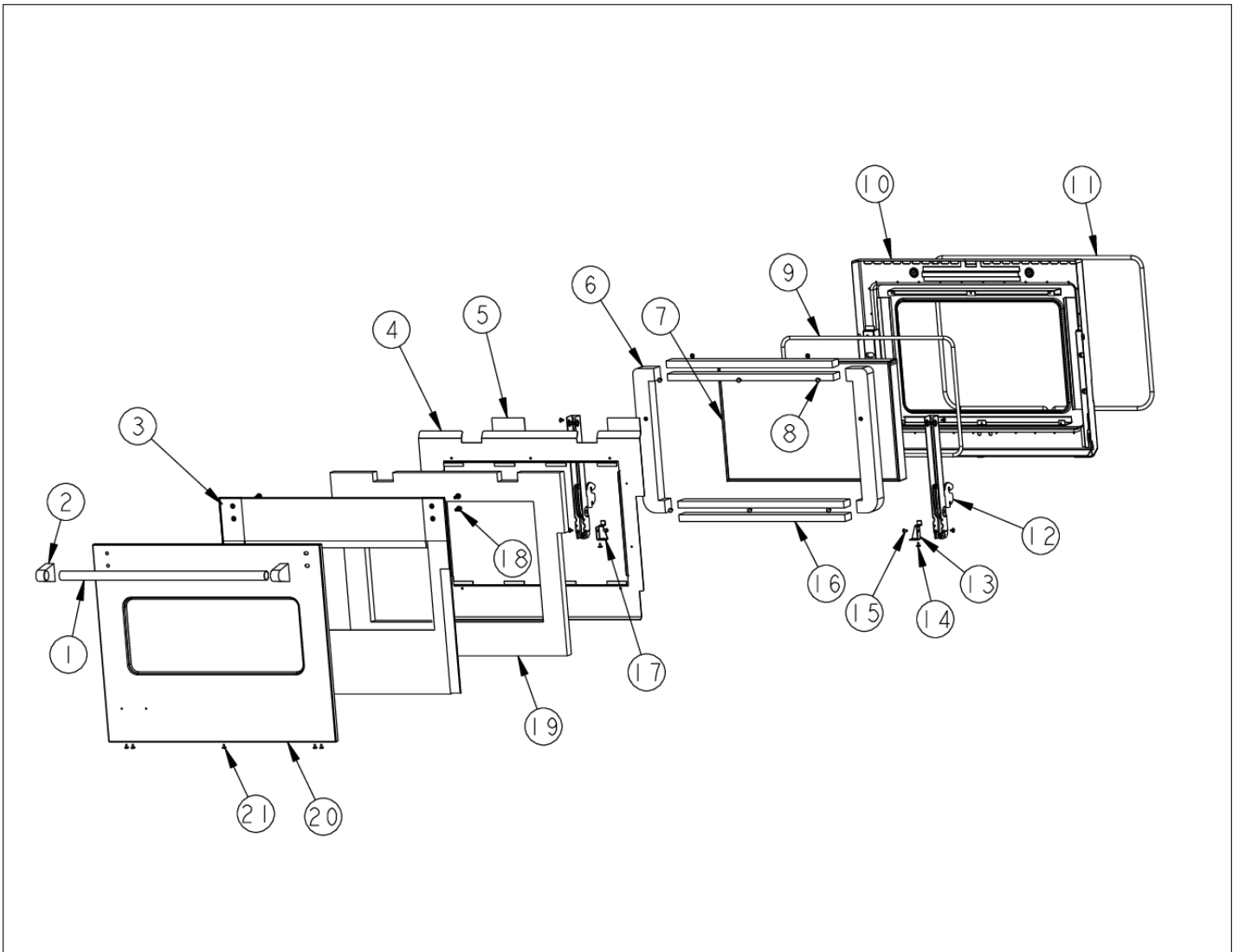
VEDO5301

Item	Part No.	Name	Qty	Uom	NOTES
1	PE070742	UPPER CONTROL HARNESS	1	EA	

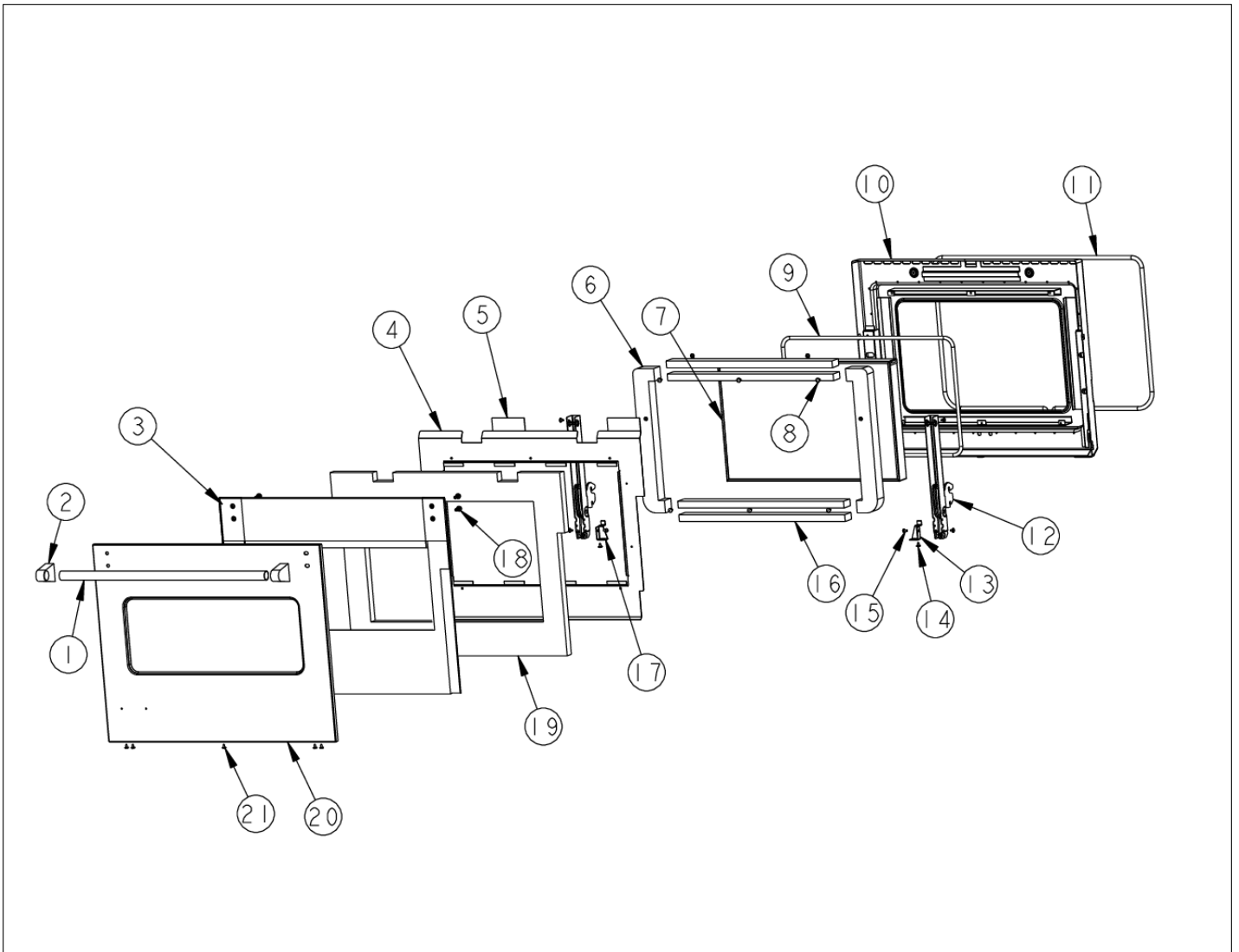
UPPER DOOR



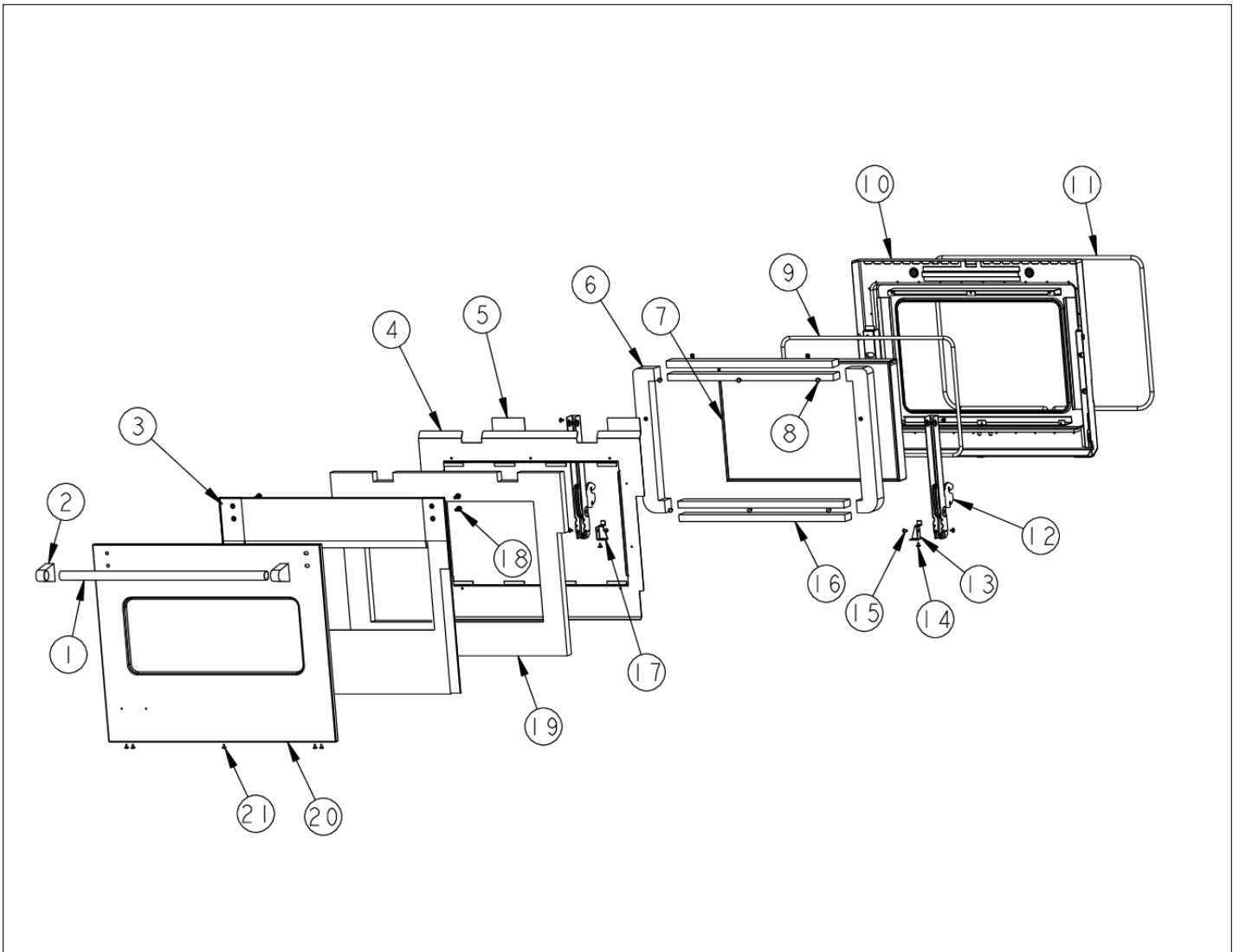
Item	Part No.	Name	Qty	Uom	NOTES
1	PE030179	30" PROF. DOOR HANDLE	1	EA	
Not Shown	PE030179PVD	30" PROF. DOOR HANDLE *PVD* 24.907	1	EA	NO LONGER AVAILABLE, Not available online / Call for pricing and availability
2	000268-000	HANDLE ENDCAP	2	EA	
Not Shown	PE030001PVD	END CAP DOOR HANDLE *BR	2	EA	
3	001499-000	Pro 30" Insulation Retainer Kit (After 7-17-06)	1	EA	NO LONGER AVAILABLE
4	A2009632	PANEL, INSULATION, INNER DOOR	1	EA	
5	PB070336	Door Bracket Insulation	2	EA	
6	PB070271	DOOR PLUG INSULATION	2	EA	
7	PE060094	30" WINDOW PACK	1	EA	
8	PD020002	10 X 1/2 PH TR HD SMS	10	EA	
9	000594-000	BLACK FIBERGLASS ROPE 3/8	1	EA	
10	G9109625	DOOR LINER PORC	1	EA	
11	PB070246	30" DOOR GASKET	1	EA	
12	006070-000	HINGE, DOOR, ASM, MANSFIELD, DES, GREEN SPRING	2	EA	
NI	PC020221	HINGE POCKET RECEIVER MANSFIELD RH	1	EA	
NI	PC020247	HINGE POCKET RECEIVER MANSFIELD LH	1	EA	
NI	B21010915	RH HINGE CLIP	1	EA	
NI	B21010916	LH HINGE CLIP	1	EA	
13	A20012640	HINGE SUPPORT RH	1	EA	
14	PD020063	SCREW-#8(A) X 3/8"PH WFR HD/BK OXID	2	EA	
15	PD020004	10X3/8PH.HD.TYPE 25 REPL PD040125	2	EA	
16	PB070269	30" WINDOW PACK INSULATION	4	EA	
17	A20012641	HINGE SUPPORT LH	1	EA	
18	PD020186	1/4"-20 X 3/4" HEX WASHER HEAD MS	4	EA	Not available online / Call for pricing and availability



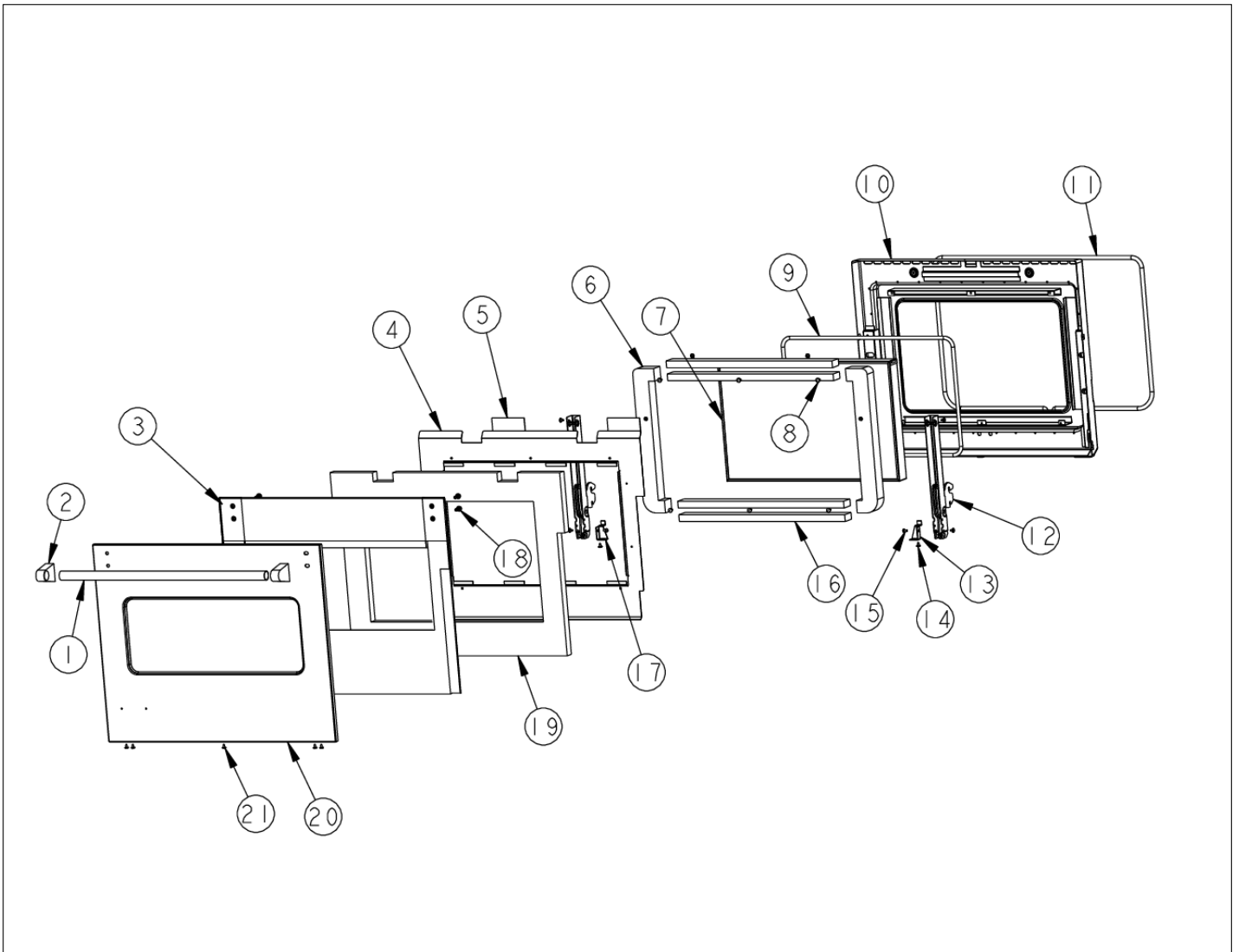
Item	Part No.	Name	Qty	Uom	NOTES
19	PB070272	30" DOOR INSULATION	1	EA	
20	PS500017AL	30" PRO DOOR SKIN SERVICE KIT W/O LOGO AFTER 07/17/06 - AL	1	EA	NO LONGER AVAILABLE, Not available online / Call for pricing and availability
Not Shown	PS500017ALBR	30" PRO DOOR SKIN SERVICE KIT W/O LOGO AFTER 07/17/06 - AL/BR	1	EA	NO LONGER AVAILABLE, Not available online / Call for pricing and availability
Not Shown	PS500017BK	30" PRO DOOR SKIN SERVICE KIT W/O LOGO AFTER 07/17/06 - BK	1	EA	
Not Shown	PS500017BKBR	30" PRO DOOR SKIN SERVICE KIT W/O LOGO AFTER 07/17/06 - BK/BR	1	EA	
Not Shown	PS500017BT	30" PRO DOOR SKIN SERVICE KIT W/O LOGO AFTER 07/17/06 AFTER 07/17/06 - BT	1	EA	NO LONGER AVAILABLE, Not available online / Call for pricing and availability
Not Shown	PS500017BTBR	30" PRO DOOR SKIN SERVICE KIT W/O LOGO AFTER 07/17/06 - BT/BR	1	EA	NO LONGER AVAILABLE, Not available online / Call for pricing and availability
Not Shown	PS500017BU	30" PRO DOOR SKIN SERVICE KIT W/O LOGO AFTER 07/17/06 - BU	1	EA	
Not Shown	PS500017BUBR	30" PRO DOOR SKIN SERVICE KIT W/O LOGO AFTER 07/17/06 - BU/BR	1	EA	NO LONGER AVAILABLE, Not available online / Call for pricing and availability
Not Shown	PS500017CB	30" PRO DOOR SKIN SERVICE KIT W/O LOGO AFTER 07/17/06 - CB	1	EA	Not available online / Call for pricing and availability
Not Shown	PS500017CBBR	30" PRO DOOR SKIN SERVICE KIT W/O LOGO AFTER 07/17/06 - CB/BR	1	EA	NO LONGER AVAILABLE, Not available online / Call for pricing and availability
Not Shown	PS500017CW	30" PRO DOOR SKIN SVC KIT W/O LOGO AFTER 7/706 - CW	1	EA	
Not Shown	PS500017CWBR	30" PRO DOOR SKIN SERVICE KIT W/O LOGO - CW / BR	1	EA	Not available online / Call for pricing and availability



Item	Part No.	Name	Qty	Uom	NOTES
Not Shown	PS500017EP	30" PRO DOOR SKIN SERVICE KIT W/O LOGO AFTER 07/17/06 - EP	1	EA	NO LONGER AVAILABLE, Not available online / Call for pricing and availability
Not Shown	PS500017EPBR	30" PRO DOOR SKIN SERVICE KIT W/O LOGO AFTER 07/17/06 - EP/BR	1	EA	NO LONGER AVAILABLE, Not available online / Call for pricing and availability
Not Shown	PS500017FG	30" PRO DOOR SKIN SERVICE KIT W/O LOGO AFTER 07/17/06 - FG	1	EA	NO LONGER AVAILABLE, Not available online / Call for pricing and availability
Not Shown	PS500017FGBR	30" PRO DOOR SKIN SERVICE KIT W/O LOGO AFTER 07/17/06 - FG/BR	1	EA	NO LONGER AVAILABLE, Not available online / Call for pricing and availability
Not Shown	PS500017GG	30" PRO DOOR SKIN SERVICE KIT W/O LOGO AFTER 07/17/06 - GG	1	EA	NO LONGER AVAILABLE
Not Shown	PS500017GGBR	30" PRO DOOR SKIN SERVICE KIT W/O LOGO AFTER 07/17/06 - GG/BR	1	EA	NO LONGER AVAILABLE, Not available online / Call for pricing and availability
Not Shown	PS500017LE	30" PRO DOOR SKIN SERVICE KIT W/O LOGO AFTER 07/17/06 - LE	1	EA	NO LONGER AVAILABLE, Not available online / Call for pricing and availability
Not Shown	PS500017LEBR	30" PRO DOOR SKIN SERVICE KIT W/O LOGO AFTER 07/17/06 - LE/BR	1	EA	NO LONGER AVAILABLE, Not available online / Call for pricing and availability
Not Shown	PS500017MJ	30" PRO DOOR SKIN SERVICE KIT W/O LOGO AFTER 07/17/06 - MJ	1	EA	NO LONGER AVAILABLE
Not Shown	PS500017MJBR	30" PRO DOOR SKIN SERVICE KIT W/O LOGO AFTER 07/17/06 - MJ/BR	1	EA	NO LONGER AVAILABLE, Not available online / Call for pricing and availability
Not Shown	PS500017SE	30" PRO DOOR SKIN SERVICE KIT W/O LOGO AFTER 07/17/06-SE	1	EA	
Not Shown	PS500017SG	30" PRO DOOR SKIN SERVICE KIT W/O LOGO AFTER 07/17/06 - SG	1	EA	NO LONGER AVAILABLE

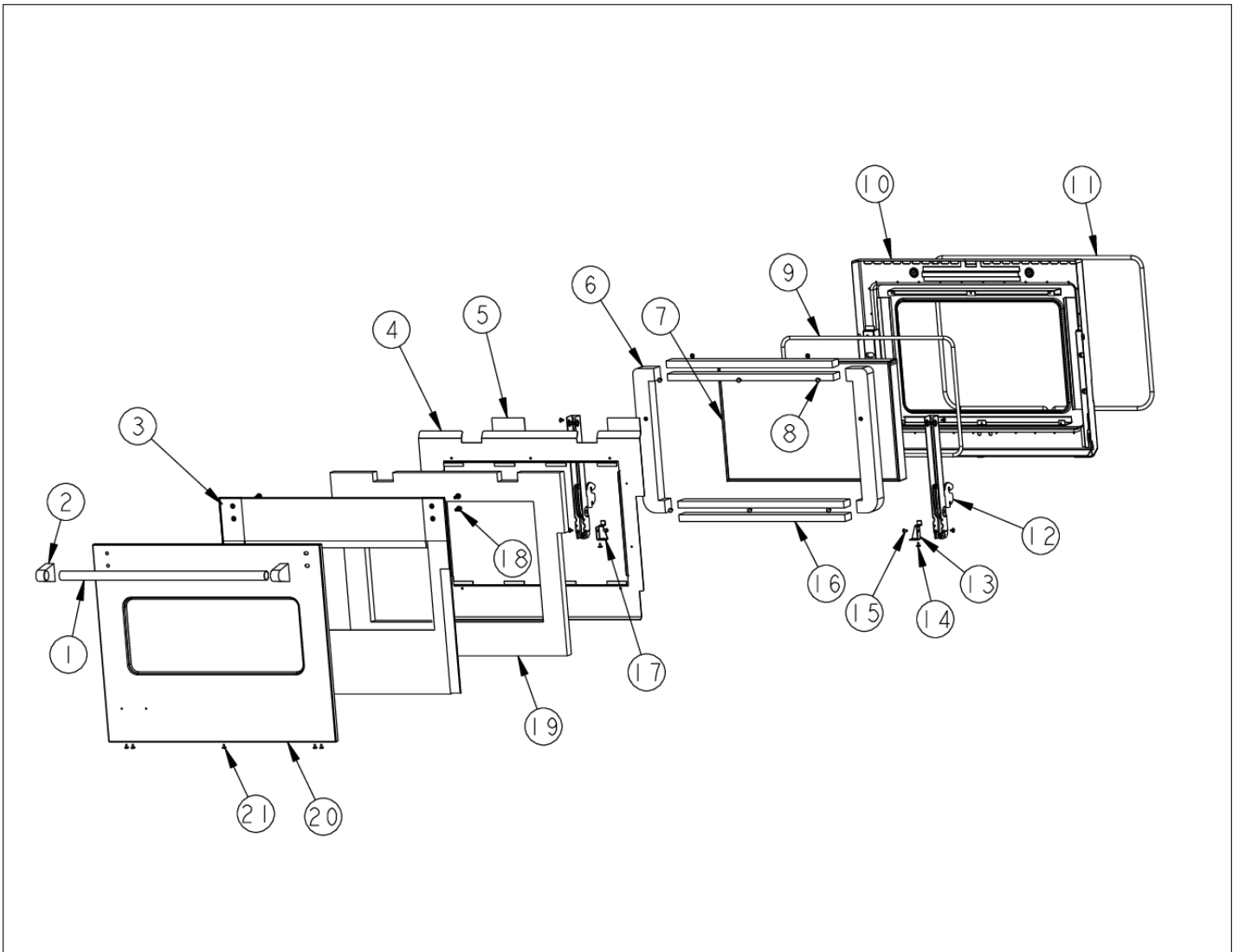


Item	Part No.	Name	Qty	Uom	NOTES
Not Shown	PS500017SGBR	30" PRO DOOR SKIN SERVICE KIT W/O LOGO - SG/BR	1	EA	NO LONGER AVAILABLE, Not available online / Call for pricing and availability
Not Shown	PS500017SS	30" PRO DOOR SKIN SERVICE KIT W/O LOGO AFTER 07/17/06 AFTER - SS	1	EA	
Not Shown	PS500017SSBR	30" PRO DOOR SKIN SERVICE KIT W/O LOGO AFTER 07/17/06 - SS/BR	1	EA	NO LONGER AVAILABLE
Not Shown	PS500017VB	30" PRO DOOR SKIN SERVICE KIT W/O LOGO AFTER 07/17/06 - VB	1	EA	NO LONGER AVAILABLE
Not Shown	PS500017VBBR	30" PRO DOOR SKIN SERVICE KIT W/O LOGO AFTER 07/17/06 - VB/BR	1	EA	
Not Shown	PS500017WH	30" PRO DOOR SKIN SERVICE KIT W/O LOGO AFTER 07/17/06 - WH	1	EA	Not available online / Call for pricing and availability
Not Shown	PS500017WHBR	30" PRO DOOR SKIN SERVICE KIT W/O LOGO AFTER 07/17/06 - WH/BR	1	EA	NO LONGER AVAILABLE, Not available online / Call for pricing and availability
Not Shown	PS500017PLBR	30" PRO DOOR SKIN SRV KIT W/O LOGO AFTER 07/17/06 PL/BR	1	EA	
Not Shown	PS500015PLBR	30" PRO DOOR SKIN SRV KIT W/LOGO AFTER 07/17/06 PL/BR	1	EA	Not available online / Call for pricing and availability
21	PD020032	SRW-8(A)X3/8"PH.WFR HD 7/16DIA*NICL	5	EA	
NI	G32012724AL	30" DOOR ASSY W/O LOGO *AL*	1	EA	NO LONGER AVAILABLE, Not available online / Call for pricing and availability
Not Shown	G32012724ALBR	COMPLETE DOOR ASSY. - ALBR	1	EA	Not available online / Call for pricing and availability
Not Shown	G32012724BK	30" DOOR ASSY W/O LOGO *BK*	1	EA	Not available online / Call for pricing and availability
Not Shown	G32012724BKBR	30" DOOR ASSY W/O LOGO *BKBR*	1	EA	NO LONGER AVAILABLE

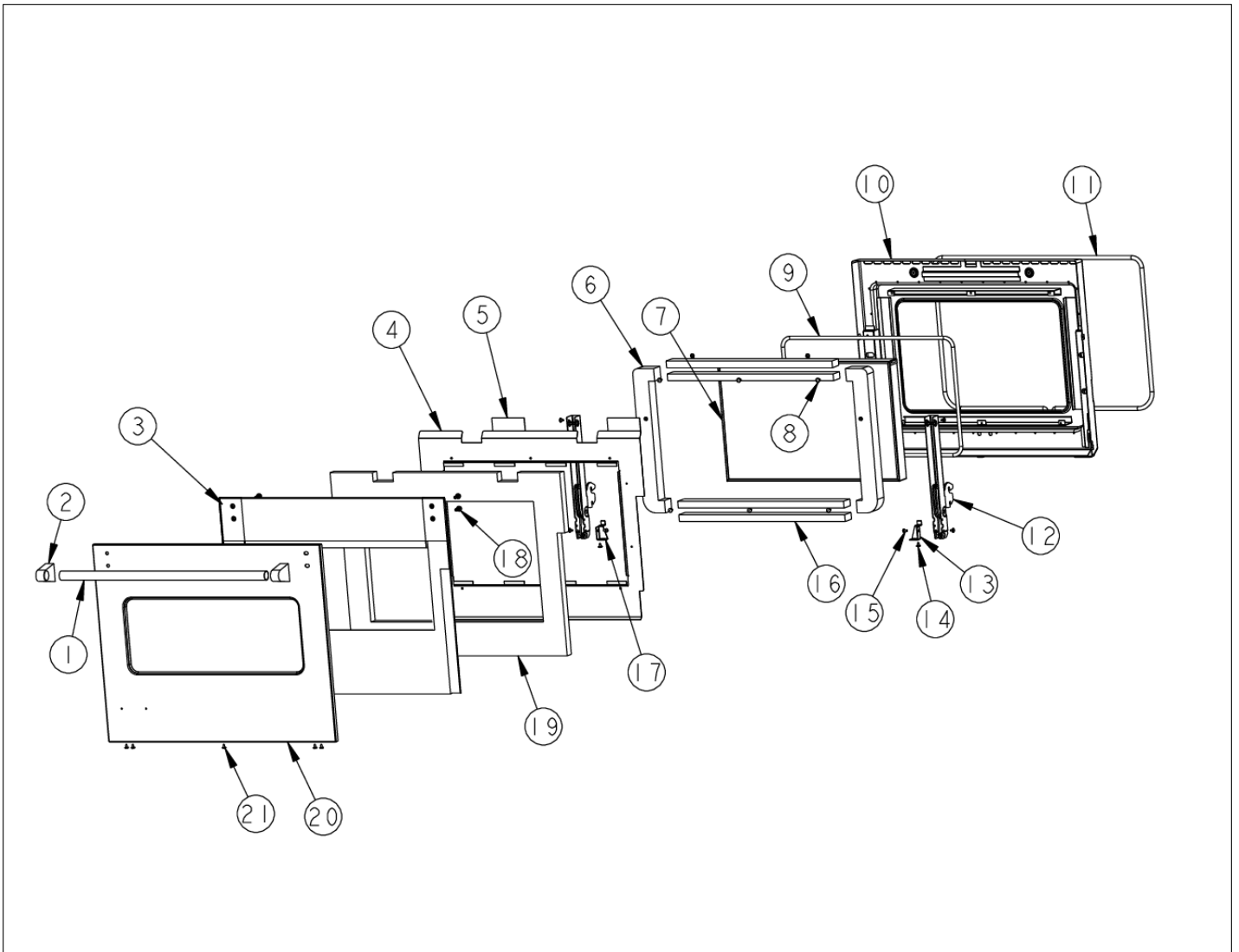




Item	Part No.	Name	Qty	Uom	NOTES
Not Shown	G32012724BT	30" DOOR ASSY W/O LOGO *BT*	1	EA	NO LONGER AVAILABLE, Not available online / Call for pricing and availability
Not Shown	G32012724BTBR	30" DOOR ASSY W/O LOGO *BTBR*	1	EA	NO LONGER AVAILABLE, Not available online / Call for pricing and availability
Not Shown	G32012724BU	30" DOOR ASSY W/O LOGO *BU*	1	EA	NO LONGER AVAILABLE
Not Shown	G32012724BUBR	30" DOOR ASSY W/O LOGO *BUBR*	1	EA	NO LONGER AVAILABLE, Not available online / Call for pricing and availability
Not Shown	G32012724CB	30" DOOR ASSY W/O LOGO *CB*	1	EA	NO LONGER AVAILABLE, Not available online / Call for pricing and availability
Not Shown	G32012724CBBR	30" DOOR ASSY W/O LOGO *CBBR*	1	EA	NO LONGER AVAILABLE, Not available online / Call for pricing and availability
Not Shown	G32012724EP	30" DOOR ASSY W/O LOGO *EP*	1	EA	NO LONGER AVAILABLE, Not available online / Call for pricing and availability
Not Shown	G32012724EPBR	30" DOOR ASSY W/O LOGO *EPBR*	1	EA	NO LONGER AVAILABLE, Not available online / Call for pricing and availability
Not Shown	G32012724FG	30" DOOR ASSY W/O LOGO *FG*	1	EA	NO LONGER AVAILABLE, Not available online / Call for pricing and availability
Not Shown	G32012724FGBR	30" DOOR ASSY W/O LOGO *FGBR*	1	EA	NO LONGER AVAILABLE, Not available online / Call for pricing and availability
Not Shown	G32012724GG	30" DOOR ASSY W/O LOGO *GG*	1	EA	NO LONGER AVAILABLE, Not available online / Call for pricing and availability



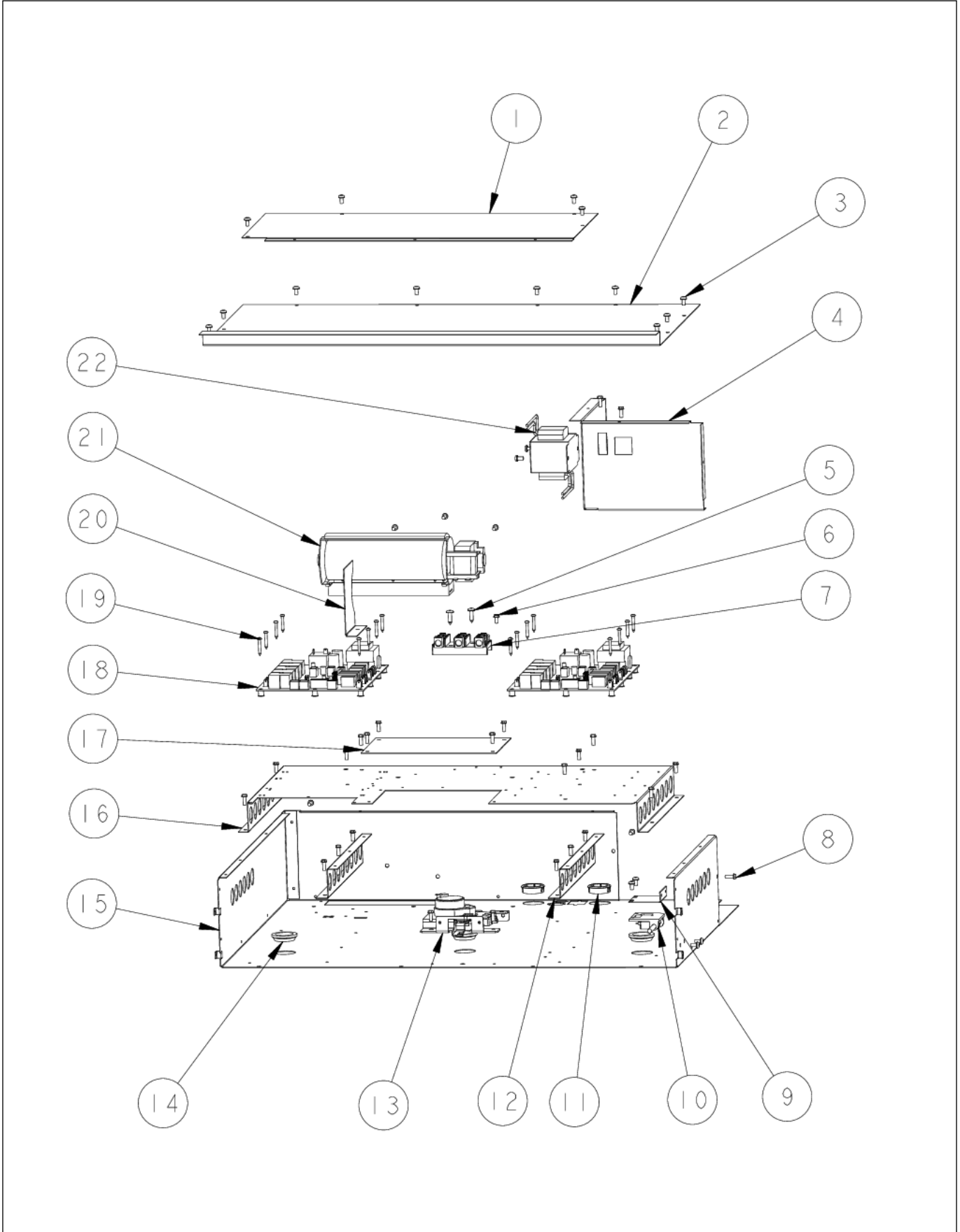
Item	Part No.	Name	Qty	Uom	NOTES
Not Shown	G32012724GGBR	30" DOOR ASSY W/O LOGO *GGBR*	1	EA	NO LONGER AVAILABLE, Not available online / Call for pricing and availability
Not Shown	G32012724LE	30" DOOR ASSY W/O LOGO *LE*	1	EA	
Not Shown	G32012724LEBR	30" DOOR ASSY W/O LOGO *LEBR*	1	EA	NO LONGER AVAILABLE, Not available online / Call for pricing and availability
Not Shown	G32012724MJ	30" DOOR ASSY W/O LOGO *MJ*	1	EA	NO LONGER AVAILABLE, Not available online / Call for pricing and availability
Not Shown	G32012724MJBR	30" DOOR ASSY W/O LOGO *MJBR*	1	EA	NO LONGER AVAILABLE, Not available online / Call for pricing and availability
Not Shown	G32012724SG	30" DOOR ASSY W/O LOGO *SG*	1	EA	NO LONGER AVAILABLE, Not available online / Call for pricing and availability
Not Shown	G32012724SGBR	30" DOOR ASSY W/O LOGO *SGBR*	1	EA	NO LONGER AVAILABLE, Not available online / Call for pricing and availability
Not Shown	G32012724SS	30" DOOR ASSY W/O LOGO	1	EA	
Not Shown	G32012724SSBR	COMPLETE DOOR ASSY. - SSBR	1	EA	
Not Shown	G32012724VB	30" DOOR ASSY W/O LOGO *VB*	1	EA	NO LONGER AVAILABLE, Not available online / Call for pricing and availability
Not Shown	G32012724VBBR	30" DOOR ASSY W/O LOGO *VBBR*	1	EA	NO LONGER AVAILABLE, Not available online / Call for pricing and availability
Not Shown	G32012724WH	30" DOOR ASSY W/O LOGO *WH*	1	EA	NO LONGER AVAILABLE, Not available online / Call for pricing and availability





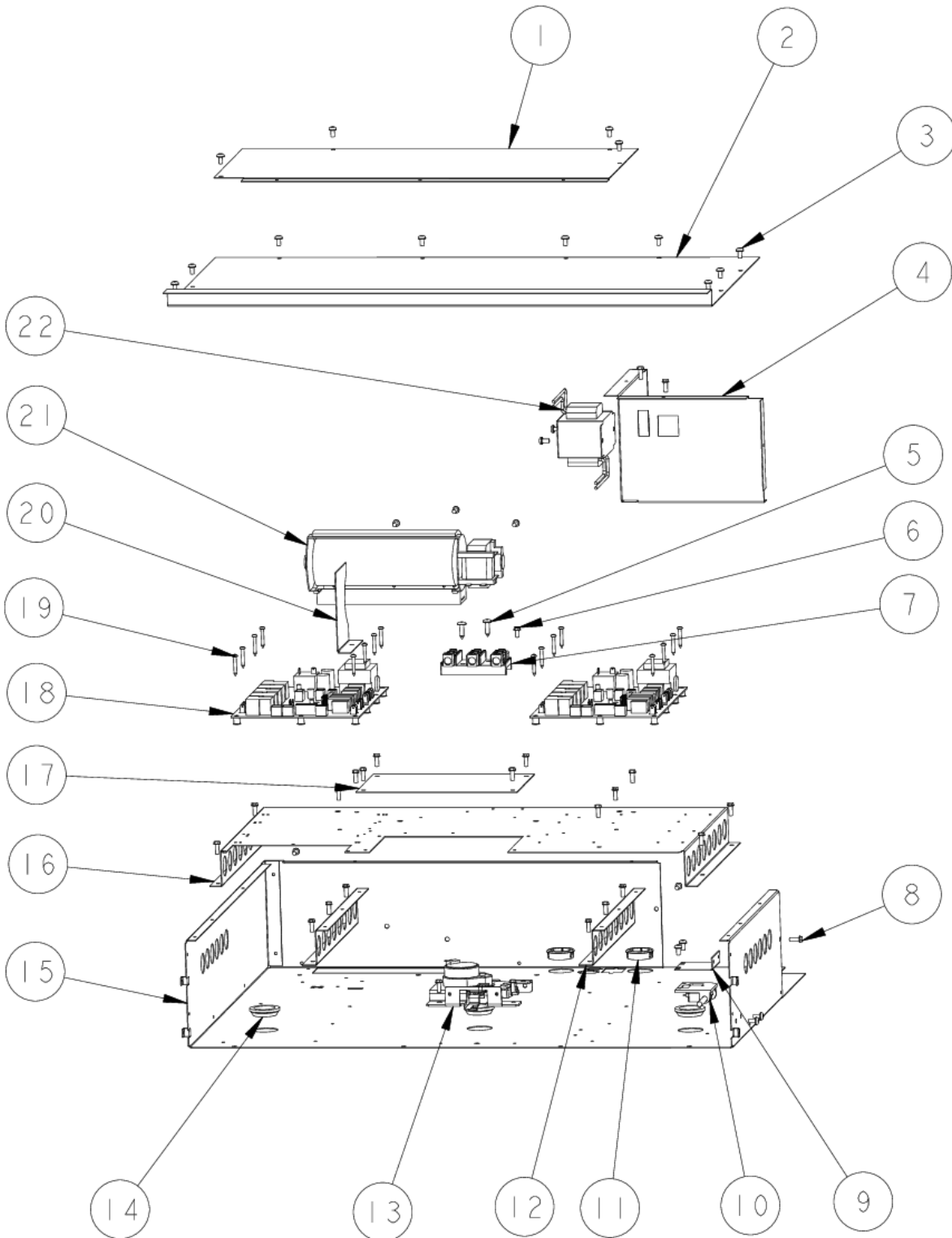
Item	Part No.	Name	Qty	Uom	NOTES
Not Shown	G32012724WHBR	30" DOOR ASSY W/O LOGO *WHBR*	1	EA	NO LONGER AVAILABLE, Not available online / Call for pricing and availability

UPPER UNIT AREA





Item	Part No.	Name	Qty	Uom	NOTES
1	A20014049	30" REAR COVER	1	EA	
2	A20014048	Front Cover	1	EA	NO LONGER AVAILABLE, Not available online / Call for pricing and availability
3	PD020004	10X3/8PH.HD.TYPE 25 REPL PD040125	19	EA	
4	A20010934	BRACKET, MODULE PAN	1	EA	
5	PD020014	10X3/4 PH TR HD SMS	2	EA	
6	PD020010	10 X 3/8 GREEN GROUNDING SCREW	1	EA	
7	PE070147	TERMINAL BLOCK (VDSC)	1	EA	
8	PD020060	10 X 1/2" (5/16)HEX WSHER HD.(T)A	30	EA	
9	A20012649	DOOR SWITCH BRACKET	1	EA	
10	PE050208	DOOR SWITCH	1	EA	
11	PD040152	SNAP BUSHING	2	EA	
12	A20010910	BRACKET, SUPPORT, ELECTRONICS HAT	2	EA	
13	013250-000	LATCH,DOOR,ASM,240V,GRID DLE LOCKOUT	1	EA	
14	PB070079	SILICONE EXTRUSION (DGSU)	3	EA	
15	Not Replaceable	Module Pan		EA	Not available online / Call for pricing and availability
16	A2009672	Electronics Hat	1	EA	NO LONGER AVAILABLE, Not available online / Call for pricing and availability
17	A10010911	Latch Cover	1	EA	
18	002406-000	CONTROL BOARD	2	EA	
<p>Comments for Part Num. 002406-000</p> <p>haarnink@vikingrange.com on Jun 18, 2015</p> <p>For the international E Model numbers EVDSC5 we need to add the info that since First unit was EVDSC530S4B: 092314C10147281 any EVDSC built in 2014 went into production with EOC4. so here we need to add the part number 014000-000 EOC4 plus the SMPS part number 013999-000</p>					
19	PD020185	Screw, 6 X 1" Pan Head	16	EA	





Item	Part No.	Name	Qty	Uom	NOTES
20	A2009667	REAR AIR DIVIDER	1	EA	
21	PE050250	Blower	1	EA	
<p>Comments for Part Num. PE050250</p> <p>highendappsvc@gmail.com on Jan 28, 2019</p> <p>If you need to replace cooling fan for the model vgsc5486gss serial date code 031412, do not order this fan, this fan is larger and configured wrong. The correct fan is 007794-000. it is smaller.</p>					
Not Shown	NOTE	(BEFORE 02/04/13)		EA	
21	018607-000	FAN, BLO, 220-240V 50/60 HZ ASM	1	EA	
Not Shown	NOTE	(ON OR AFTER 02/04/13)		EA	
22	PE070634	HALOGEN LIGHT TRANSFORMER	1	EA	NO LONGER AVAILABLE



Appendix A:Pages Index

CONTROL AREA 1
LOWER CAVITY INT 2
LOWER CONTROL HARNESS 3
LOWER DOOR 4
LOWER LATCH HARNESS 5
LOWER OVEN ELEC 6
SIMPLE HARNESSES 1 7
SIMPLE HARNESSES 2 8
UNIT EXTERIOR 9
UNIT REAR 10
UPPER CAVITY INT 11
UPPER CONTROL HARNESS 12
UPPER DOOR 13
UPPER UNIT AREA 14



Appendix B:Parts Index

000268-000	4, 13	A2009671	10
000594-000	4, 13	A2009672	14
001499-000	4, 13	A2009682	6
002406-000	14	A2009683	10
005311-000	2, 11	A2009684	10
006070-000	4, 13	A2009696	2, 11
007647-000	1	A21010918	10
007662-002	1	A21010919	10
007671-000	1	B21010915	13
007674-000	1	B21010916	13
007698-000	1	C90014072BK	1
009589-000	1	C90014072WH	1
009590-000	1	E9107933	2
013250-000	6, 14	E9107934	2
018607-000	6, 14	E9109655	2, 11
020403-000	11	G3009694	2
020477-000	2	G32012723AL	4
020478-002	6	G32012723ALBR	4
024040-000	2, 11	G32012723BK	4
024102-000	2, 11	G32012723BKBR	4
024221-000	2, 11	G32012723BT	4
024234-000	2, 11	G32012723BTBR	4
036047-000	1	G32012723BU	4
050172-000	1	G32012723BUBR	4
050578-000	10	G32012723CB	4
A10010911	14	G32012723CBBR	4
A10014027	1	G32012723EP	4
A20010910	14	G32012723EPBR	4
A20010934	14	G32012723FG	4
A20012640	4, 13	G32012723FGBR	4
A20012641	4, 13	G32012723GG	4
A20012649	6, 14	G32012723GGBR	4
A20014036	6	G32012723LE	4
A20014048	14	G32012723LEBR	4
A20014049	14	G32012723MJ	4
A20014089	6	G32012723MJBR	4
A2009612	2, 11	G32012723SG	4
A2009632	4, 13	G32012723SGBR	4
A2009641	6	G32012723SS	4
A2009667	14	G32012723SSBR	4
		G32012723VB	4



G32012723VBBR	4	PA010192	1
G32012723WH	4	PB010305	1
G32012723WHBR	4	PB010313	1
G32012724AL	13	PB010313PVD	1
G32012724ALBR	13	PB020071	10
G32012724BK	13	PB040070	10
G32012724BKBR	13	PB060103	2, 11
G32012724BT	13	PB060104	2, 11
G32012724BTBR	13	PB060107	2, 11
G32012724BU	13	PB070079	6, 14
G32012724BUBR	13	PB070246	4, 13
G32012724CB	13	PB070269	4, 13
G32012724CBBR	13	PB070271	4, 13
G32012724EP	13	PB070272	4, 13
G32012724EPBR	13	PB070302	9
G32012724FG	13	PB070303	2
G32012724FGBR	13	PB070304	10
G32012724GG	13	PB070312	2, 11
G32012724GGBR	13	PB070321	6
G32012724LE	13	PB070336	4, 13
G32012724LEBR	13	PB080020	2
G32012724MJ	13	PC020221	13
G32012724MJBR	13	PC020247	13
G32012724SG	13	PD020002	4, 9, 13
G32012724SGBR	13	PD020004	1, 4, 6, 13, 14
G32012724SS	13	PD020010	14
G32012724SSBR	13	PD020013	2, 6, 11
G32012724VB	13	PD020014	9, 14
G32012724VBBR	13	PD020032	4, 13
G32012724WH	13	PD020055	2, 11
G32012724WHBR	13	PD020060	2, 6, 10, 11, 14
G32014020	2, 11	PD020063	2, 4, 6, 11, 13
G40015469	1	PD020170	9
G4005494	7	PD020185	14
G4005496	7	PD020186	4, 13
G4005497	7	PD020232	2, 11
G4005499	7	PD020261	1
G91013598	2, 11	PD030006	4
G9109625	4, 13	PD030172	1
Not Replaceable	6, 11, 14	PD040004	1, 6
PA010093	1	PD040152	14



PD040164	1	PS500015BK	4
PE010016	4	PS500015BKBR	4
PE010017	4	PS500015BT	4
PE010079	4	PS500015BTBR	4
PE010080	4	PS500015BU	4
PE030001PVD	4, 13	PS500015BUBR	4
PE030179	4, 13	PS500015CB	4
PE030179PVD	4, 13	PS500015CBBR	4
PE040273	9	PS500015CW	4
PE040274	9	PS500015EP	4
PE040277	9	PS500015EPBR	4
PE040278	9	PS500015FG	4
PE050023	1	PS500015FGBR	4
PE050072	1	PS500015GG	4
PE050114	11	PS500015GGBR	4
PE050115	11	PS500015LE	4
PE050140	1	PS500015LEBR	4
PE050206	2, 11	PS500015MJ	4
PE050208	6, 14	PS500015MJBR	4
PE050250	6, 14	PS500015PLBR	13
PE060094	4, 13	PS500015SE	4
PE070147	14	PS500015SG	4
PE070634	14	PS500015SGBR	4
PE070733	7	PS500015SS	4
PE070735	8	PS500015SSBR	4
PE070736	3	PS500015VB	4
PE070738	7	PS500015VBBR	4
PE070739	7	PS500015WH	4
PE070740	5	PS500015WHBR	4
PE070741	8	PS500017AL	13
PE070742	12	PS500017ALBR	13
PE070744	8	PS500017BK	13
PJ010047	2, 11	PS500017BKBR	13
PJ010048	2, 11	PS500017BT	13
PJ030033	1	PS500017BTBR	13
PJ030035	1	PS500017BU	13
PJ030036	1	PS500017BUBR	13
PJ030039	6	PS500017CB	13
PM010160	11	PS500017CBBR	13
PS500015AL	4	PS500017CW	13
PS500015ALBR	4	PS500017CWBR	13



PS500017EP 13
PS500017EPBR 13
PS500017FG 13
PS500017FGBR 13
PS500017GG 13
PS500017GGBR 13
PS500017LE 13
PS500017LEBR 13
PS500017MJ 13
PS500017MJBR 13
PS500017PLBR 13
PS500017SE 13
PS500017SG 13
PS500017SGBR 13
PS500017SS 13
PS500017SSBR 13
PS500017VB 13
PS500017VBBR 13
PS500017WH 13
PS500017WHBR 13