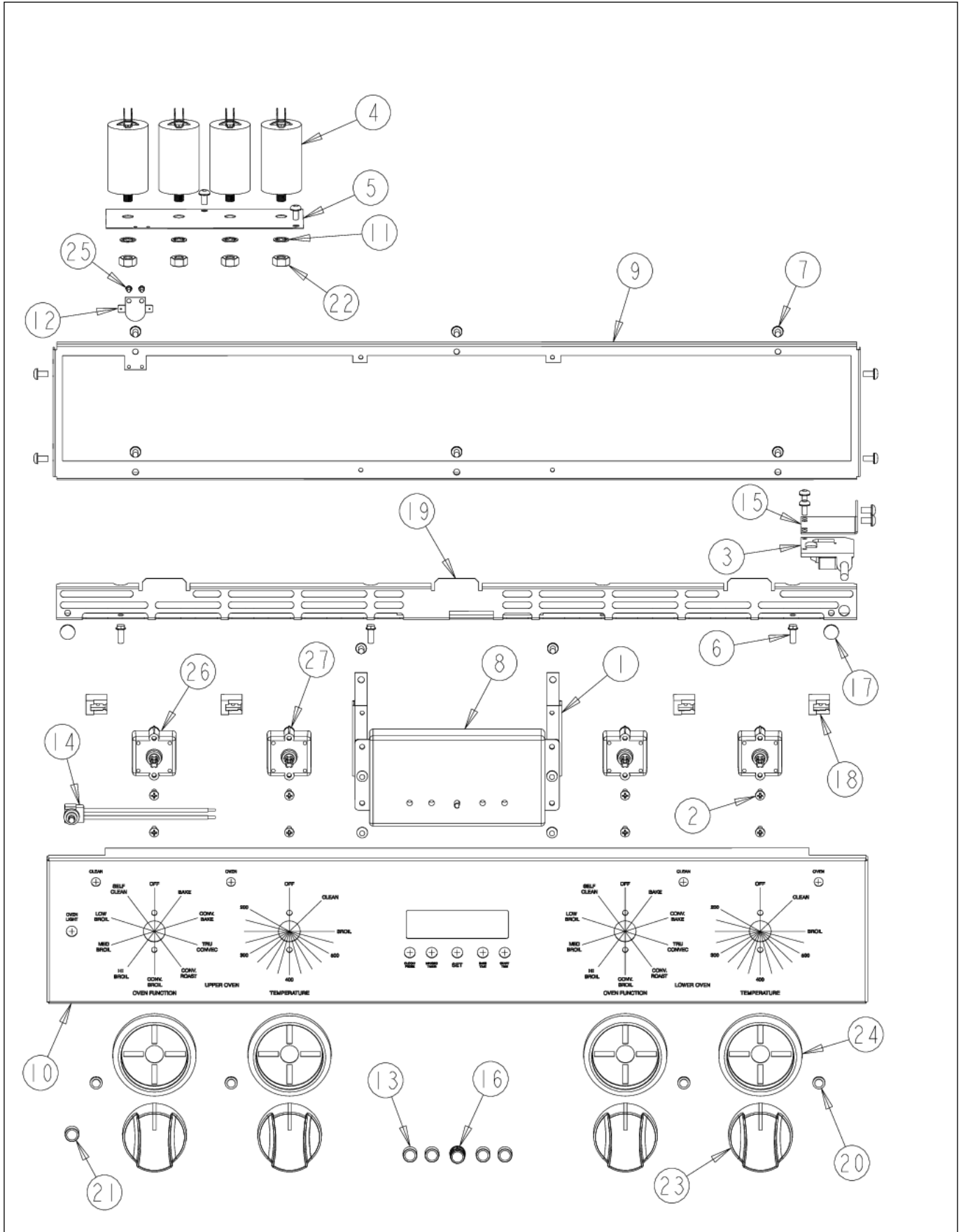


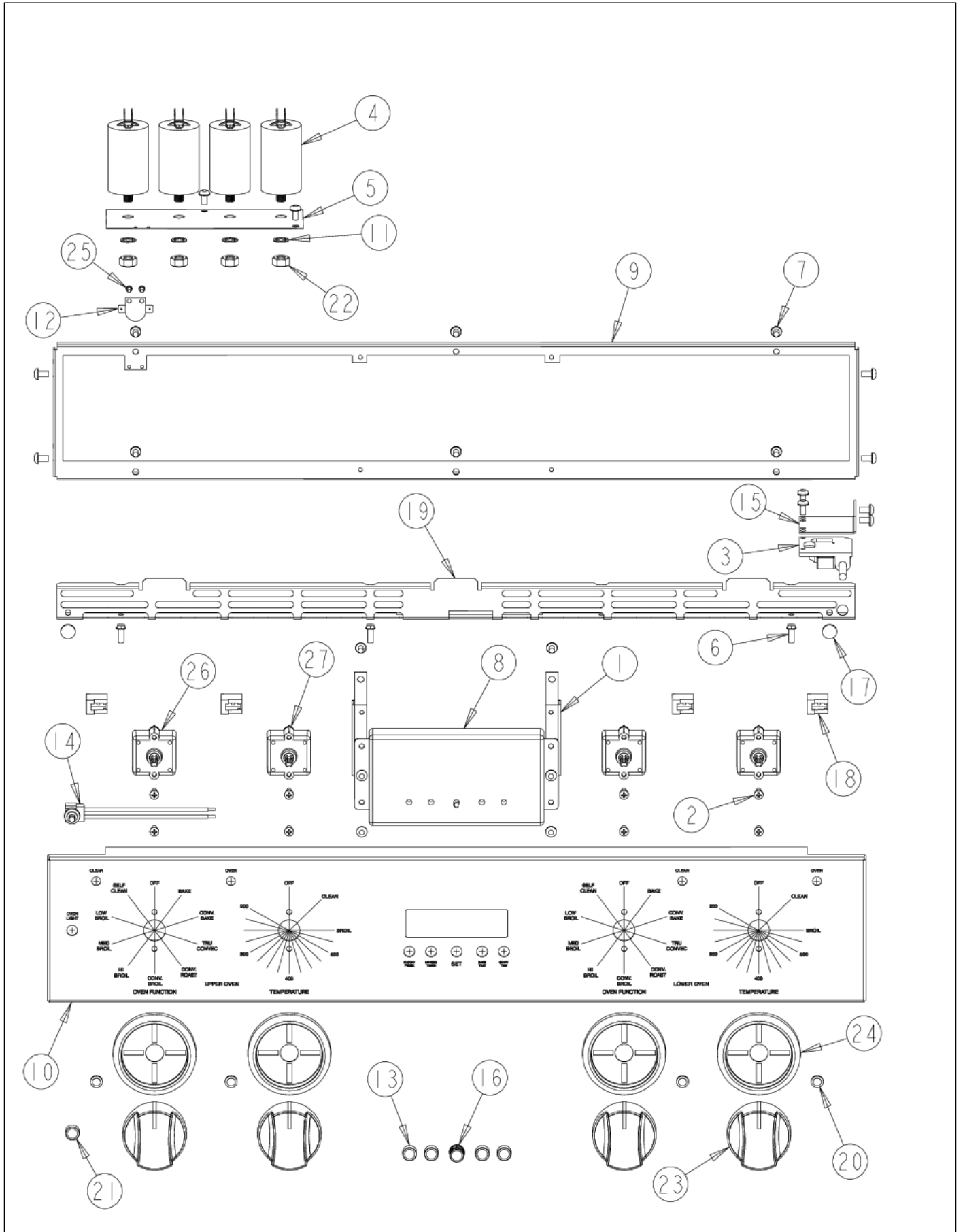
VEDO530

CONTROL AREA	1
LOWER CONTROL HARNESS	2
LOWER DOOR	3
LOWER LATCH HARNESS	4
LOWER OVEN EXTERIOR CAVITY	5
LOWER OVEN INTERIOR CAVITY	6
LOWER OVEN LOWER AREA	7
MIDDLE UNIT AREA	8
REAR UNIT	9
SIMPLE HARNESSES 1	10
SIMPLE HARNESSES 2	11
UPPER CONTROL HARNESS	12
UPPER DOOR	13
UPPER OVEN CAVITY	14
UPPER OVEN EXTERIOR CAVITY	15
UPPER OVEN INTERIOR CAVITY	16
UPPER OVEN LOWER AREA	17
UPPER UNIT AFTER 07-20-06	18
UPPER UNIT BEFORE 07-20-06	19
Appendix A:Pages Index	A
Appendix B:Parts Index	B

CONTROL AREA



Item	Part No.	Name	Qty	Uom	NOTES
1	A20014063	CLOCK BRACKET	1	EA	
2	PD020261	#8-32X1/2" PH PANHEAD MACH. SCREW	1	EA	
3	PE050208	DOOR SWITCH	1	EA	
4	036047-000	EBM FAN MOTOR CAPACITOR	1	EA	
5	A10014027	4 CAPACITOR BRACKET	1	EA	
6	PD020060	10 X 1/2" (5/16)HEX WSHER HD.(T)A	1	EA	
7	PD020004	10X3/8PH.HD.TYPE 25 REPL PD040125	1	EA	
8	PE050214	CLOCK (DIGITAL 230V 50/60HZ)	1	EA	
9	A20014062	30" CONTROL MTG PANEL	1	EA	Not available online / Call for pricing and availability
10	B92014071	30" DOUBLE PROF. PREMIERE CONTROL PNL.	1	EA	
Not Shown	C92014071BK	30" DOUBLE PROF. PREMIERE CONTROL PNL. *BK*	1	EA	NO LONGER AVAILABLE
Not Shown	C92014071WH	30" DOUBLE PROF. PREMIERE CONTROL PNL. *WH*	1	EA	NO LONGER AVAILABLE, Not available online / Call for pricing and availability
11	PD040164	5/16 INTERNAL TOOTH LOCK WASHER TYPE A	1	EA	
12	G50015481	PRO HI-LIMIT SERVICE KIT	1	EA	
Not Shown	NOTE	(BEFORE 07-17-06)		EA	
Not Shown	PJ030043	BI-METAL THERMOSTAT	1	EA	
Not Shown	NOTE	(AFTER 07-17-06)		EA	
13	PB010306	PROF. CLOCK BUTTON	1	EA	
Not Shown	PB010310	PROF. CLOCK BUTTON *WH*	1	EA	
14	G40015469	DESIGNER OVEN LIGHT SWITCH	1	EA	
15	A20012649	DOOR SWITCH BRACKET	1	EA	
16	PB010307	PROF. CLOCK KNOB	1	EA	
Not Shown	PB010311	PROF. CLOCK KNOB *WH*	1	EA	





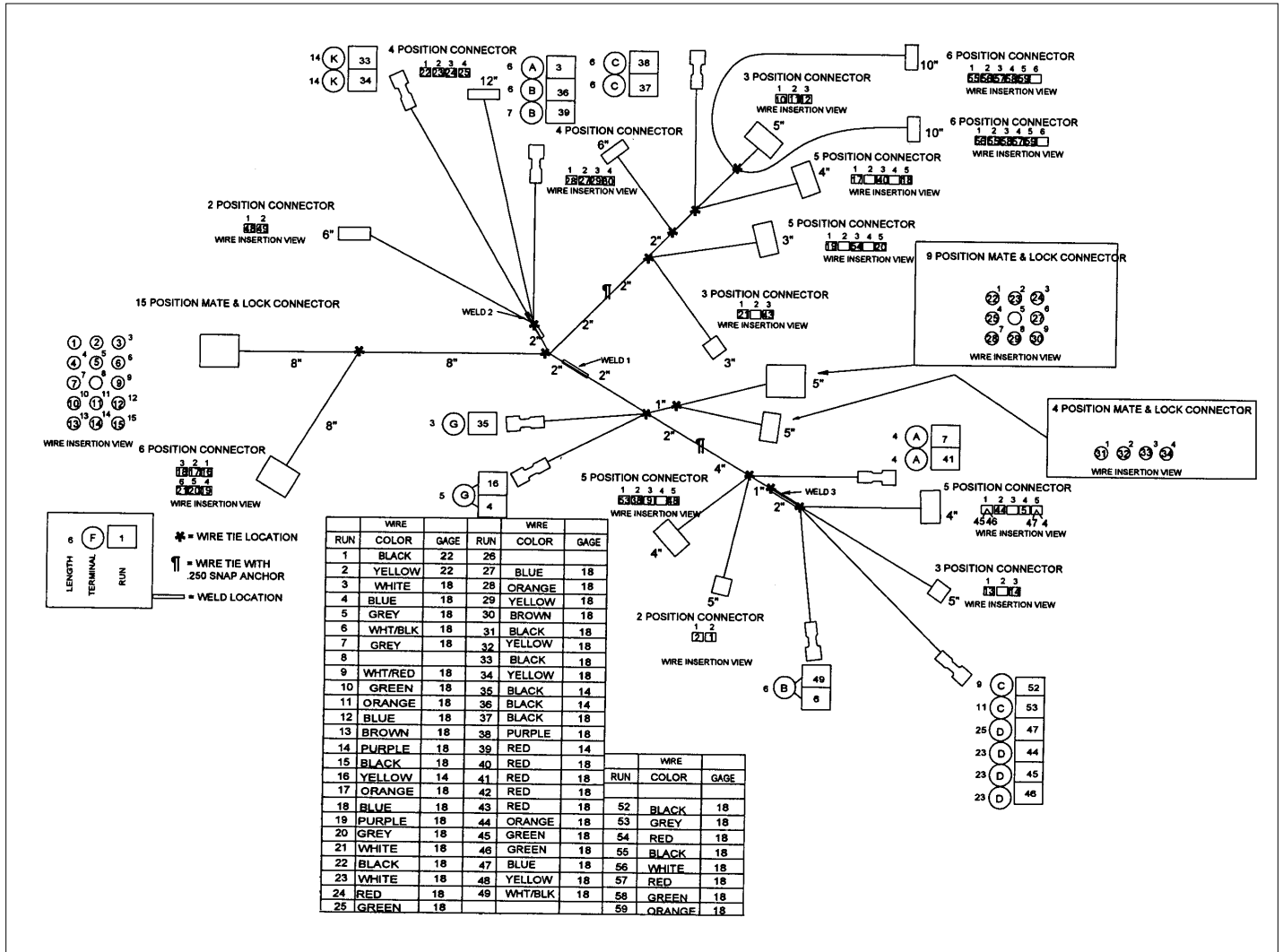
Item	Part No.	Name	Qty	Uom	NOTES
17	PD040004	GROMMET BUMPER	1	EA	
18	PE050072	LENS OPENING	1	EA	
19	C90014072BK	30" INLET GRILL	1	EA	
20	PE050023	OVEN IND. LIGHT (LENS & BEZEL)	1	EA	
21	PB010308	PROF. OVEN LIGHT BUTTON	1	EA	NO LONGER AVAILABLE
Not Shown	PB010312	PROF. OVEN LIGHT BUTTON *WH*	1	EA	NO LONGER AVAILABLE
22	PD030172	M8 X 1.25MM NUT	1	EA	
23	PB010305	PROF. SELECTOR/THERMOSTAT KNOB	1	EA	
Not Shown	PB010309	PROF. SELECTOR/THERMOSTAT KNOB *WH*	1	EA	
24	050172-000	KNOB BEZEL	1	EA	
Not Shown	PB010304PVD	RESTYLE KNOB BEZEL, BR	1	EA	
25	PD020013	TYPE "AB" #6 X 3/8 PH PAN HD. SMS	1	EA	
26	PJ030033	SELECTOR (10 POS)	1	EA	
27	PJ030035	THERMOSTAT	1	EA	

Comments for Part Num. PJ030035

parts@lvdistributes.com on Feb 7, 2018
 this is not the correct part for this range it should be a 003225-000
 Reply by JREXEC02@AOL.COM on Feb 27, 2018
 003225-000 is an Induction Control.

PJ030035 is the red colored thermostat for the Gas Range

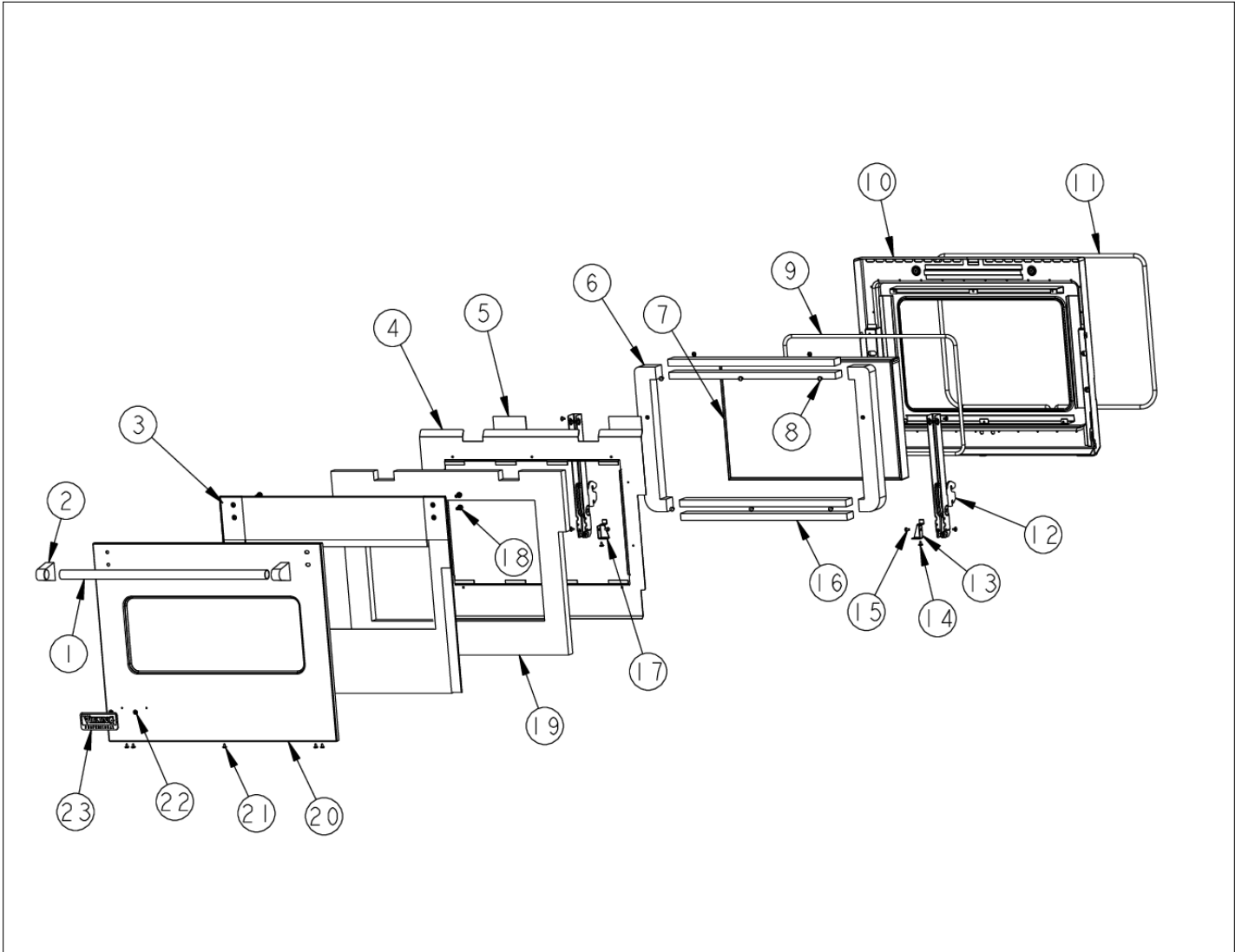
LOWER CONTROL HARNESS



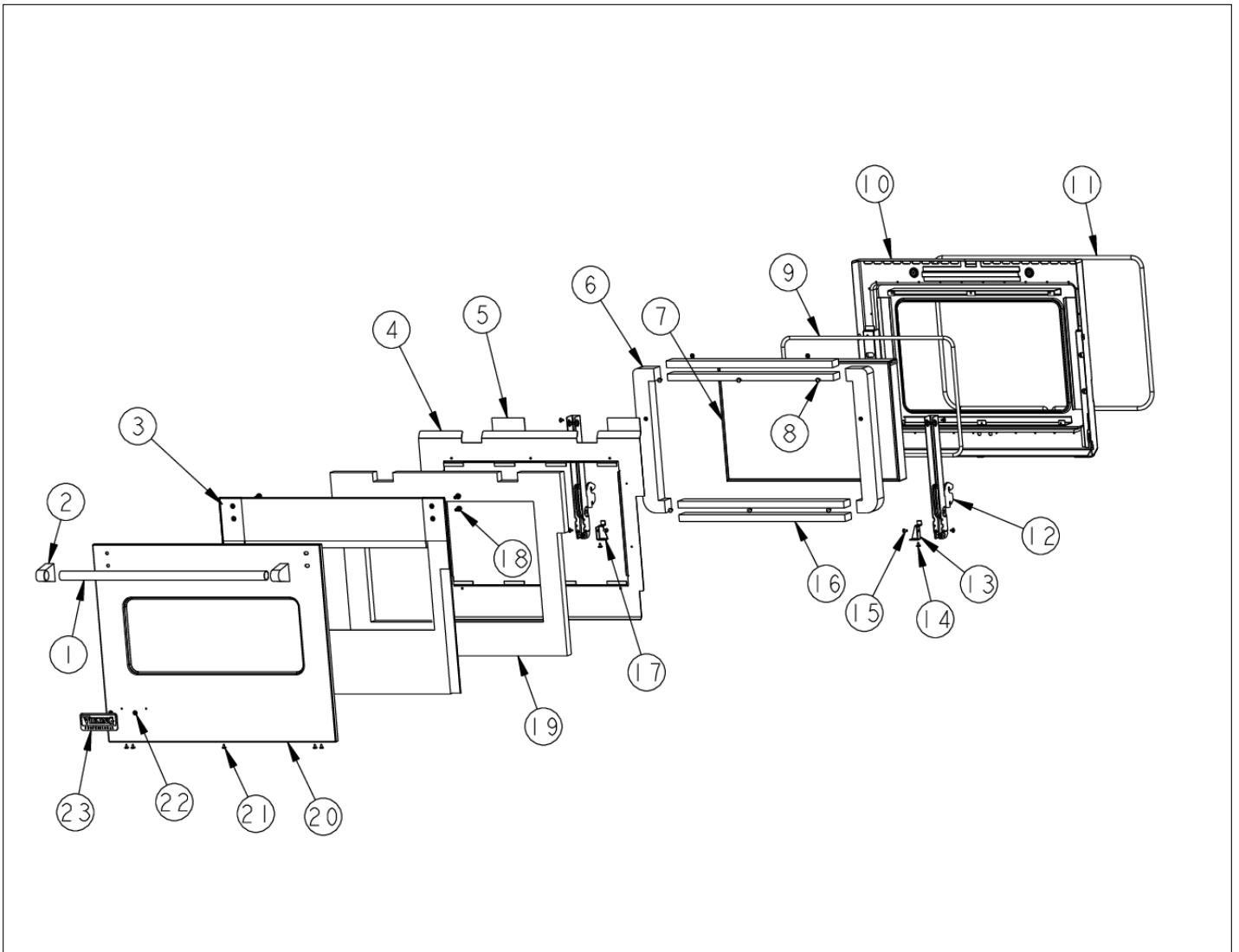


Item	Part No.	Name	Qty	Uom	NOTES
1	PE070736	LOWER CONTROL HARNESS	1	EA	

LOWER DOOR

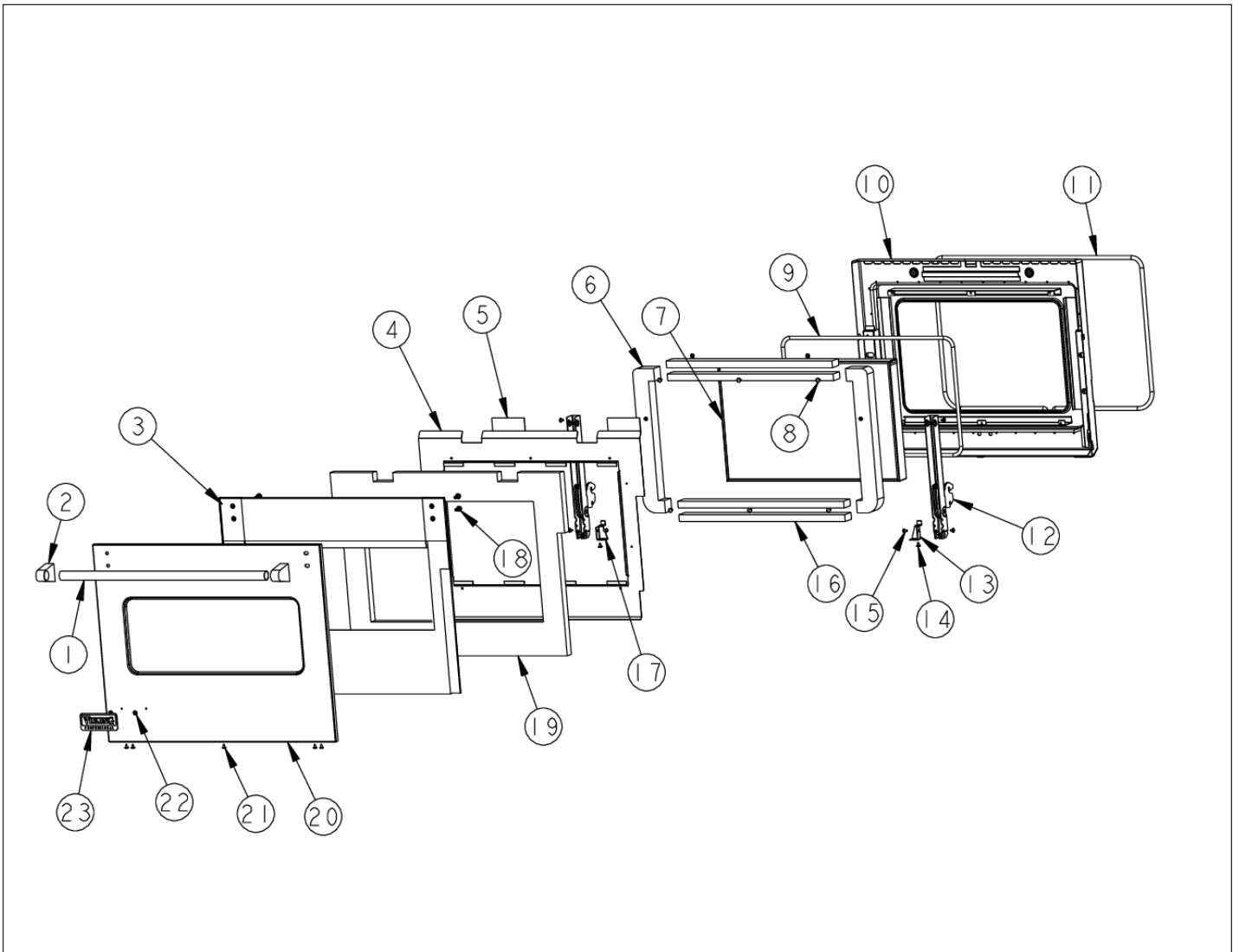


Item	Part No.	Name	Qty	Uom	NOTES
1	PE030179	30" PROF. DOOR HANDLE	1	EA	
Not Shown	PE030179PVD	30" PROF. DOOR HANDLE *PVD* 24.907	1	EA	NO LONGER AVAILABLE, Not available online / Call for pricing and availability
2	000268-000	HANDLE ENDCAP	1	EA	
Not Shown	PE030001PVD	END CAP DOOR HANDLE *BR	1	EA	
3	001499-000	Pro 30" Insulation Retainer Kit (After 7-17-06)	1	EA	NO LONGER AVAILABLE
Not Shown	001500-000	Pro 30" Insulation Retainer Kit (Before 7-17-06)	1	EA	
4	A2009632	PANEL, INSULATION, INNER DOOR	1	EA	
5	PB070336	Door Bracket Insulation	1	EA	
6	PB070271	DOOR PLUG INSULATION	1	EA	
7	PE060094	30" WINDOW PACK	1	EA	
8	PD020002	10 X 1/2 PH TR HD SMS	1	EA	
9	000594-000	BLACK FIBERGLASS ROPE 3/8	1	EA	
10	G9109625	DOOR LINER PORC	1	EA	
11	PB070246	30" DOOR GASKET	1	EA	
12	006070-000	HINGE, DOOR, ASM, MANSFIELD, DES, GREEN SPRING	1	EA	
13	A20012640	HINGE SUPPORT RH	1	EA	
14	PD020063	SCREW-#8(A) X 3/8"PH WFR HD/BK OXID	1	EA	
15	PD020004	10X3/8PH.HD.TYPE 25 REPL PD040125	1	EA	
16	PB070269	30" WINDOW PACK INSULATION	1	EA	
17	A20012641	HINGE SUPPORT LH	1	EA	
18	PD020186	1/4"-20 X 3/4" HEX WASHER HEAD MS	1	EA	Not available online / Call for pricing and availability
19	PB070272	30" DOOR INSULATION	1	EA	
20	PS500015AL	30" PRO DOOR SKIN SVC KIT W/LOGO AFTER 07/17/06 - AL	1	EA	NO LONGER AVAILABLE, Not available online / Call for pricing and availability

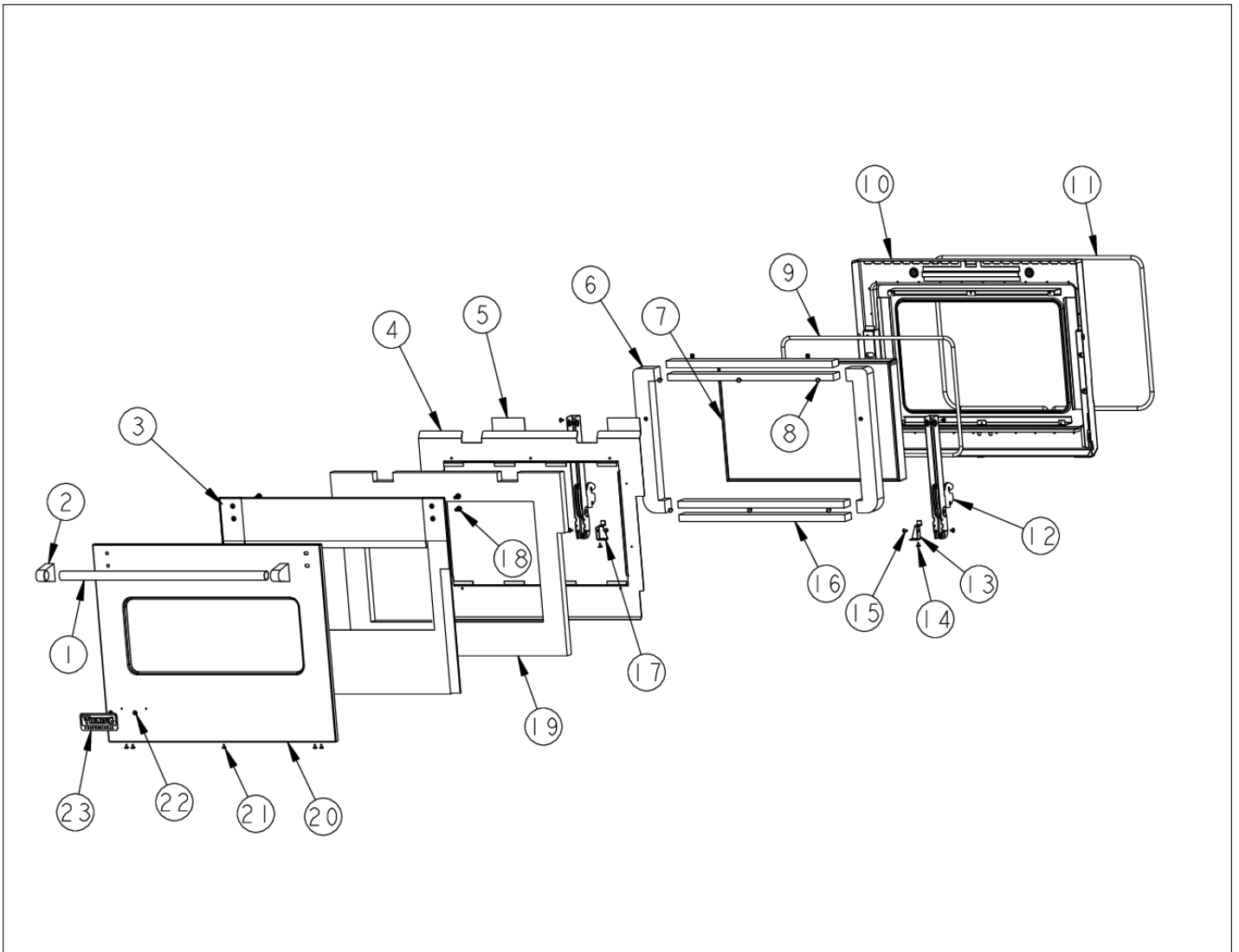




Item	Part No.	Name	Qty	Uom	NOTES
Not Shown	PS500015ALBR	30" PRO DOOR SKIN SVC KIT W/LOGO AFTER 07/17/06 - AL/BR	1	EA	NO LONGER AVAILABLE
Not Shown	PS500015BK	30" PRO DOOR SKIN SVC KIT W/LOGO AFTER 07/17/06 -BK	1	EA	
Not Shown	PS500015BKBR	30" PRO DOOR SKIN SVC KIT W/LOGO AFTER 07/17/06 - BK/BR	1	EA	Not available online / Call for pricing and availability
Not Shown	PS500015BT	30" PRO DOOR SKIN SVC KIT W/LOGO AFTER 07/17/06 - BT	1	EA	NO LONGER AVAILABLE
Not Shown	PS500015BTBR	30" PRO DOOR SKIN SVC KIT W/LOGO AFTER 07/17/06 - BTBR	1	EA	NO LONGER AVAILABLE
Not Shown	PS500015BU	30" PRO DOOR SKIN SVC KIT W/LOGO AFTER 07/17/06 -BU	1	EA	
Not Shown	PS500015BUBR	30" PRO DOOR SKIN SVC KIT W/LOGO AFTER 07/17/06 - BU/BR	1	EA	NO LONGER AVAILABLE
Not Shown	PS500015CB	30" PRO DOOR SKIN SVC KIT W/LOGO AFTER 07/17/06 - CB	1	EA	Not available online / Call for pricing and availability
Not Shown	PS500015CBBR	30" PRO DOOR SKIN SVC KIT W/LOGO AFTER 07/17/06 - CB/BR	1	EA	
Not Shown	PS500015EP	30" PRO DOOR SKIN SVC KIT W/LOGO AFTER 07/17/06 - EP	1	EA	NO LONGER AVAILABLE, Not available online / Call for pricing and availability
Not Shown	PS500015EPBR	30" PRO DOOR SKIN SVC KIT W/LOGO AFTER 07/17/06 - EP/BR	1	EA	NO LONGER AVAILABLE, Not available online / Call for pricing and availability
Not Shown	PS500015FG	30" PRO DOOR SKIN SVC KIT W/LOGO AFTER 07/17/06 - FG	1	EA	NO LONGER AVAILABLE, Not available online / Call for pricing and availability
Not Shown	PS500015FGBR	30" PRO DOOR SKIN SVC KIT W/LOGO AFTER 07/17/06 - FG/BR	1	EA	NO LONGER AVAILABLE, Not available online / Call for pricing and availability
Not Shown	PS500015GG	30" PRO DOOR SKIN SVC KIT W/LOGO AFTER 07/17/06 -GG	1	EA	Not available online / Call for pricing and availability

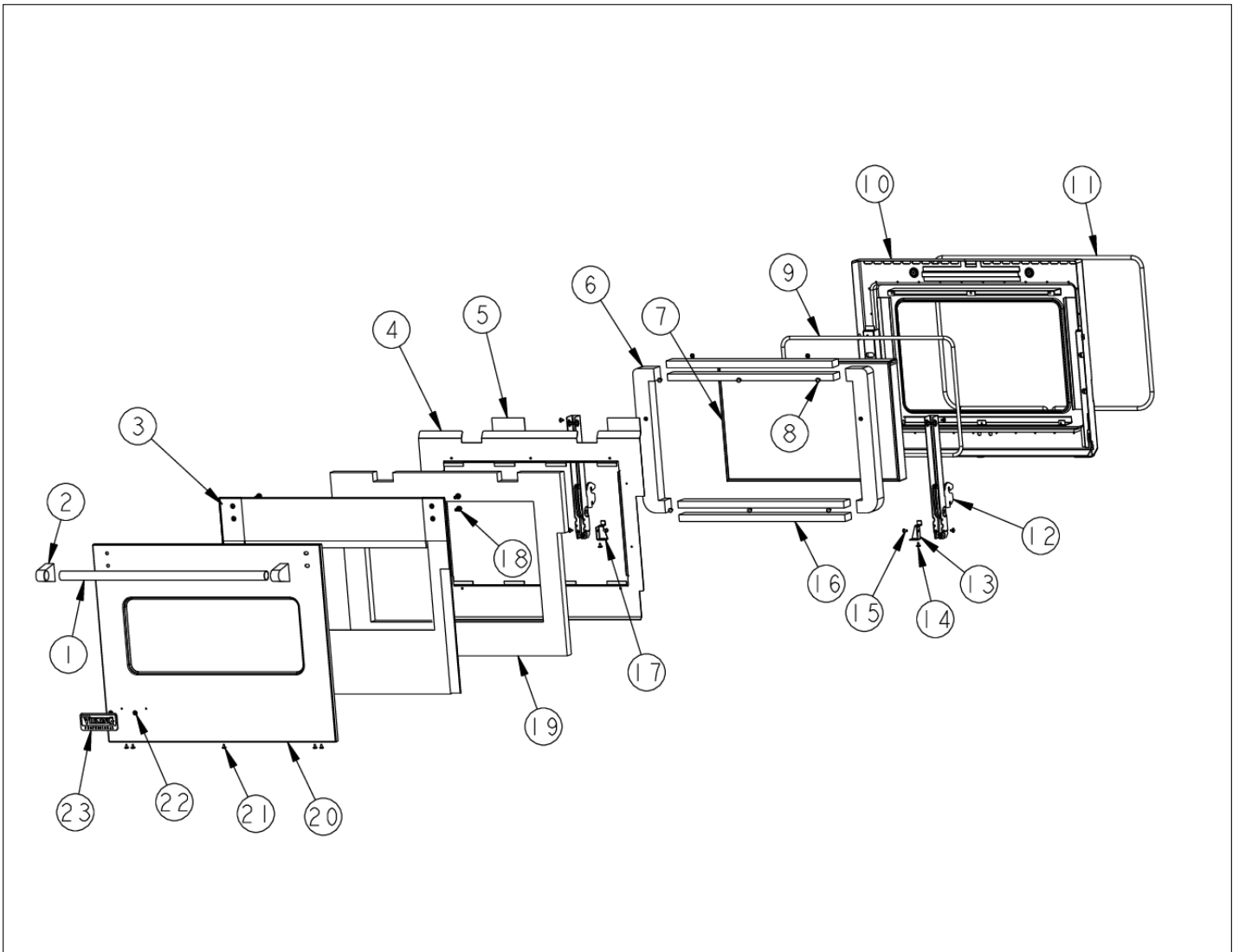


Item	Part No.	Name	Qty	Uom	NOTES
Not Shown	PS500015GGBR	30" PRO DOOR SKIN SVC KIT W/LOGO AFTER 07/17/06 - GG/BR	1	EA	NO LONGER AVAILABLE, Not available online / Call for pricing and availability
Not Shown	PS500015LE	30" PRO DOOR SKIN SVC KIT W/LOGO AFTER 07/17/06 - LE	1	EA	NO LONGER AVAILABLE, Not available online / Call for pricing and availability
Not Shown	PS500015LEBR	30" PRO DOOR SKIN SVC KIT W/LOGO AFTER 07/17/06 - LE/BR	1	EA	NO LONGER AVAILABLE, Not available online / Call for pricing and availability
Not Shown	PS500015MJ	30" PRO DOOR SKIN SVC KIT W/LOGO AFTER 07/17/06 - MJ	1	EA	NO LONGER AVAILABLE
Not Shown	PS500015MJBR	30" PRO DOOR SKIN SVC KIT W/LOGO AFTER 07/17/06 - MJ/BR	1	EA	NO LONGER AVAILABLE, Not available online / Call for pricing and availability
Not Shown	PS500015SG	30" PRO DOOR SKIN SVC KIT W/LOGO AFTER 07/17/06 - SG	1	EA	
Not Shown	PS500015SGBR	30" PRO DOOR SKIN SVC KIT W/LOGO AFTER 07/17/06 - SGBR	1	EA	NO LONGER AVAILABLE, Not available online / Call for pricing and availability
Not Shown	PS500015SS	30" PRO DOOR SKIN SVC KIT W/LOGO AFTER 07/17/06 - SS	1	EA	
Not Shown	PS500015SSBR	30" PRO DOOR SKIN SVC KIT W/LOGO AFTER 07/17/06 - SS/BR	1	EA	Not available online / Call for pricing and availability
Not Shown	PS500015VB	30" PRO DOOR SKIN SVC KIT W/LOGO AFTER 07/17/06 - VB	1	EA	Not available online / Call for pricing and availability
Not Shown	PS500015VBBR	30" PRO DOOR SKIN SVC KIT W/LOGO AFTER 07/17/06 - VBBR	1	EA	
Not Shown	PS500015WH	30" PRO DOOR SKIN SVC KIT W/LOGO AFTER 07/17/06 - WH	1	EA	
Not Shown	PS500015WHBR	30" PRO DOOR SKIN SVC KIT W/LOGO AFTER 07/17/06 - WH/BR	1	EA	NO LONGER AVAILABLE, Not available online / Call for pricing and availability

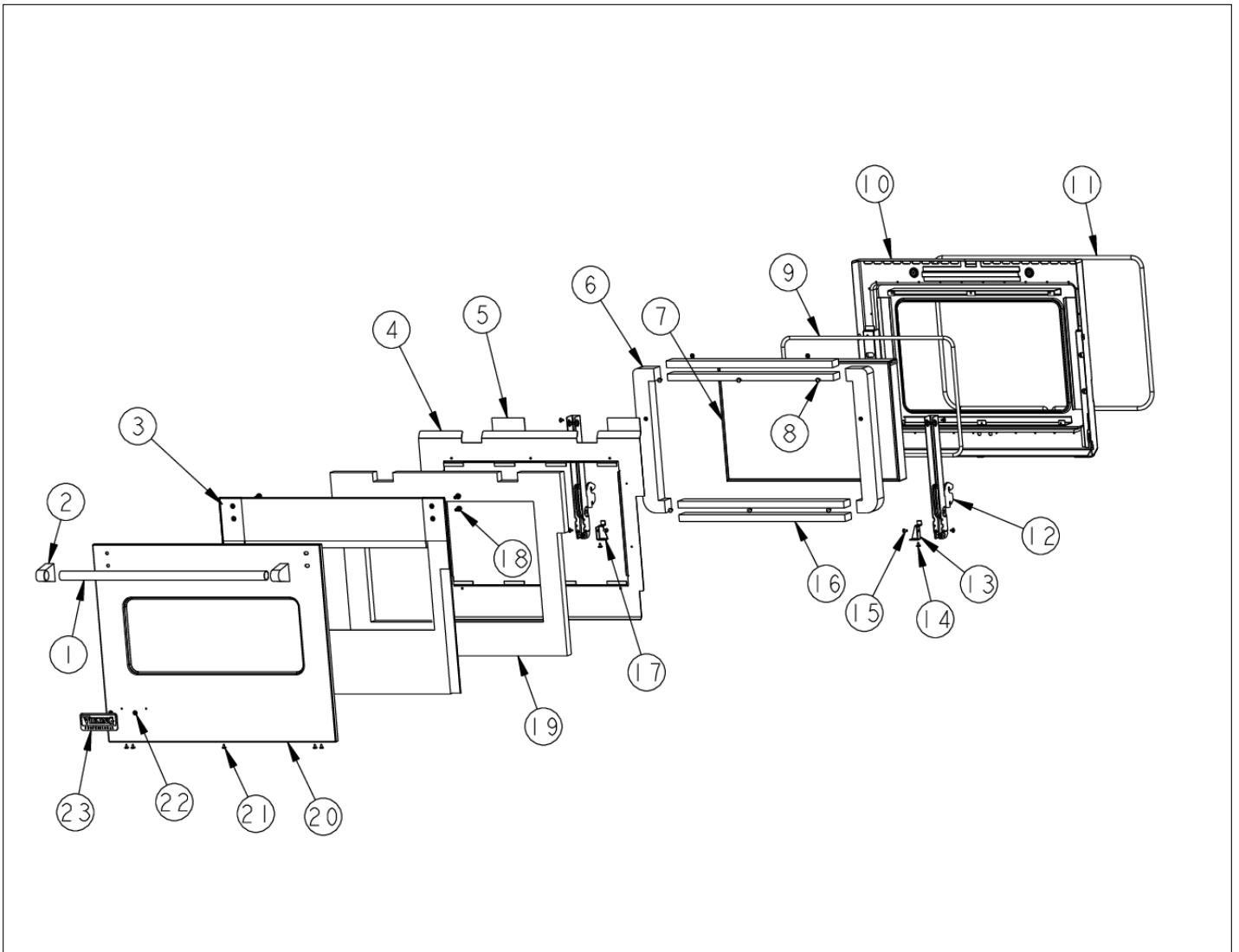




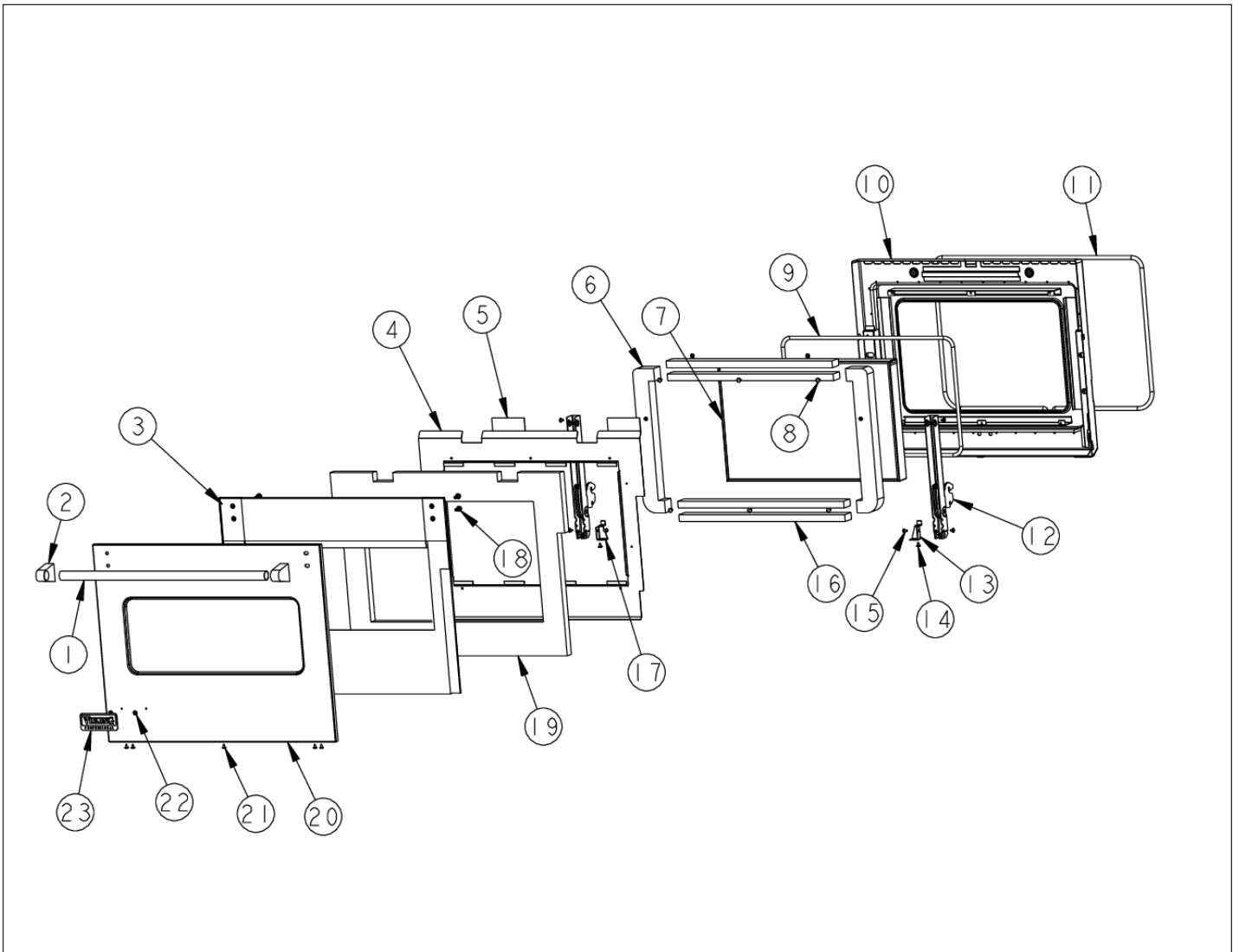
Item	Part No.	Name	Qty	Uom	NOTES
Not Shown	PS500019AL	30" PRO DOOR SKIN SERVICE KIT W/LOGO BEFORE 07/17/06-AL	1	EA	NO LONGER AVAILABLE, Not available online / Call for pricing and availability
Not Shown	PS500019ALBR	30" PRO DOOR SKIN SERVICE KIT W/LOGO BEFORE 07/17/06-AL/BR	1	EA	NO LONGER AVAILABLE, Not available online / Call for pricing and availability
Not Shown	PS500019BK	30" PRO DOOR SKIN SERVICE KIT W/LOGO BEFORE 07/17/06-BK	1	EA	NO LONGER AVAILABLE
Not Shown	PS500019BKBR	30" PRO DOOR SKIN SERVICE KIT W/LOGO BEFORE 07/17/06-BK/BR	1	EA	NO LONGER AVAILABLE, Not available online / Call for pricing and availability
Not Shown	PS500019BT	30" PRO DOOR SKIN SERVICE KIT W/LOGO BEFORE 07/17/06-BT	1	EA	NO LONGER AVAILABLE, Not available online / Call for pricing and availability
Not Shown	PS500019BTBR	30" PRO DOOR SKIN SERVICE KIT W/LOGO BEFORE 07/17/06-BT/BR	1	EA	NO LONGER AVAILABLE, Not available online / Call for pricing and availability
Not Shown	PS500019BU	30" PRO DOOR SKIN SERVICE KIT W/LOGO BEFORE 07/17/06-BU	1	EA	NO LONGER AVAILABLE, Not available online / Call for pricing and availability
Not Shown	PS500019BUBR	30" PRO DOOR SKIN SERVICE KIT W/LOGO BEFORE 07/17/06-BU/BR	1	EA	NO LONGER AVAILABLE, Not available online / Call for pricing and availability
Not Shown	PS500019CB	30" PRO DOOR SKIN SERVICE KIT W/LOGO BEFORE 07/17/06-CB	1	EA	NO LONGER AVAILABLE, Not available online / Call for pricing and availability
Not Shown	PS500019CBBR	30" PRO DOOR SKIN SERVICE KIT W/LOGO BEFORE 07/17/06-CB/BR	1	EA	NO LONGER AVAILABLE, Not available online / Call for pricing and availability
Not Shown	PS500019EP	30" PRO DOOR SKIN SERVICE KIT W/LOGO BEFORE 07/17/06-EP	1	EA	NO LONGER AVAILABLE, Not available online / Call for pricing and availability



Item	Part No.	Name	Qty	Uom	NOTES
Not Shown	PS500019EPBR	30" PRO DOOR SKIN SERVICE KIT W/LOGO BEFORE 07/17/06-EP/BR	1	EA	NO LONGER AVAILABLE, Not available online / Call for pricing and availability
Not Shown	PS500019FG	30" PRO DOOR SKIN SERVICE KIT W/LOGO BEFORE 07/17/06-FG	1	EA	NO LONGER AVAILABLE, Not available online / Call for pricing and availability
Not Shown	PS500019FGBR	30" PRO DOOR SKIN SERVICE KIT W/LOGO BEFORE 07/17/06-FG/BR	1	EA	NO LONGER AVAILABLE, Not available online / Call for pricing and availability
Not Shown	PS500019GG	30" PRO DOOR SKIN SERVICE KIT W/LOGO BEFORE 07/17/06-GG	1	EA	NO LONGER AVAILABLE, Not available online / Call for pricing and availability
Not Shown	PS500019GGBR	30" PRO DOOR SKIN SERVICE KIT W/LOGO BEFORE 07/17/06-GG/BR	1	EA	NO LONGER AVAILABLE, Not available online / Call for pricing and availability
Not Shown	PS500019LE	30" PRO DOOR SKIN SERVICE KIT W/LOGO BEFORE 07/17/06- LE	1	EA	NO LONGER AVAILABLE, Not available online / Call for pricing and availability
Not Shown	PS500019LEBR	30" PRO DOOR SKIN SERVICE KIT W/LOGO BEFORE 07/17/06- LE/BR	1	EA	NO LONGER AVAILABLE, Not available online / Call for pricing and availability
Not Shown	PS500019MJ	30" PRO DOOR SKIN SERVICE KIT W/LOGO BEFORE 07/17/06-MJ	1	EA	NO LONGER AVAILABLE, Not available online / Call for pricing and availability
Not Shown	PS500019MJBR	30" PRO DOOR SKIN SERVICE KIT W/LOGO BEFORE 07/17/06-MJ/BR	1	EA	NO LONGER AVAILABLE, Not available online / Call for pricing and availability
Not Shown	PS500019SG	30" PRO DOOR SKIN SERVICE KIT W/LOGO BEFORE 07/17/06-SG	1	EA	NO LONGER AVAILABLE, Not available online / Call for pricing and availability
Not Shown	PS500019SGBR	30" PRO DOOR SKIN SERVICE KIT W/LOGO BEFORE 07/17/06-SG/BR	1	EA	NO LONGER AVAILABLE, Not available online / Call for pricing and availability

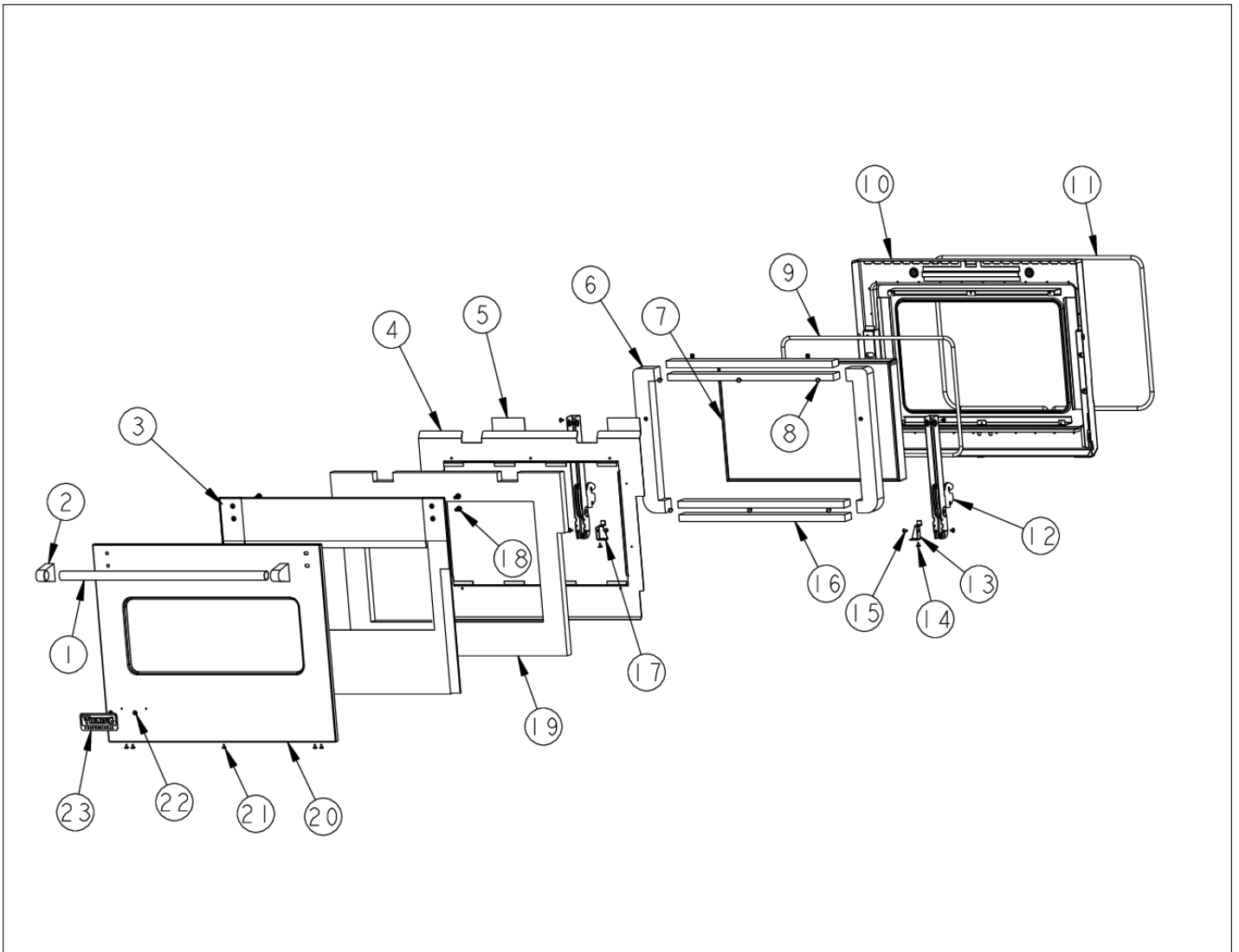


Item	Part No.	Name	Qty	Uom	NOTES
Not Shown	PS500019SS	30" PRO DOOR SKIN SERVICE KIT W/LOGO BEFORE 07/17/06-SS	1	EA	
Not Shown	PS500019SSBR	30" PRO DOOR SKIN SERVICE KIT W/LOGO BEFORE 07/17/06-SS/BR	1	EA	NO LONGER AVAILABLE
Not Shown	PS500019VB	30" PRO DOOR SKIN SERVICE KIT W/LOGO BEFORE 07/17/06- VB	1	EA	NO LONGER AVAILABLE, Not available online / Call for pricing and availability
Not Shown	PS500019VBBR	30" PRO DOOR SKIN SERVICE KIT W/LOGO BEFORE 07/17/06-VB/BR	1	EA	NO LONGER AVAILABLE, Not available online / Call for pricing and availability
Not Shown	PS500019WH	30" PRO DOOR SKIN SERVICE KIT W/LOGO BEFORE 07/17/06-WH	1	EA	
Not Shown	PS500019WHBR	30" PRO DOOR SKIN SERVICE KIT W/LOGO BEFORE 07/17/06-WH/BR	1	EA	NO LONGER AVAILABLE, Not available online / Call for pricing and availability
21	PD020032	SRW-8(A)X3/8"PH.WFR HD 7/16DIA*NICL	1	EA	
22	PD030006	CAPPED WASHER PAL NUT	1	EA	
23	PE010016	LOGO (ALL RANGES) *BK/CHR 307997W	1	EA	
Not Shown	PE010017	LOGO (VGSO,VEDO,VGDO,VUD) *WH/CHR	1	EA	
Not Shown	PE010079	4.5" LOGO/VIKING PROF *BK/BR	1	EA	
Not Shown	PE010080	4.5" LOGO/VIKING PROF *WH/BR	1	EA	
NI	G32012723AL	30" DOOR ASSY W/LOGO *AL*	1	EA	NO LONGER AVAILABLE
Not Shown	G32012723ALBR	COMPLETE DOOR ASSY. - ALBR	1	EA	Not available online / Call for pricing and availability
Not Shown	G32012723BK	30" DOOR ASSY W/LOGO *BK*	1	EA	Not available online / Call for pricing and availability
Not Shown	G32012723BKBR	30" DOOR ASSY W/LOGO *BKBR*	1	EA	NO LONGER AVAILABLE





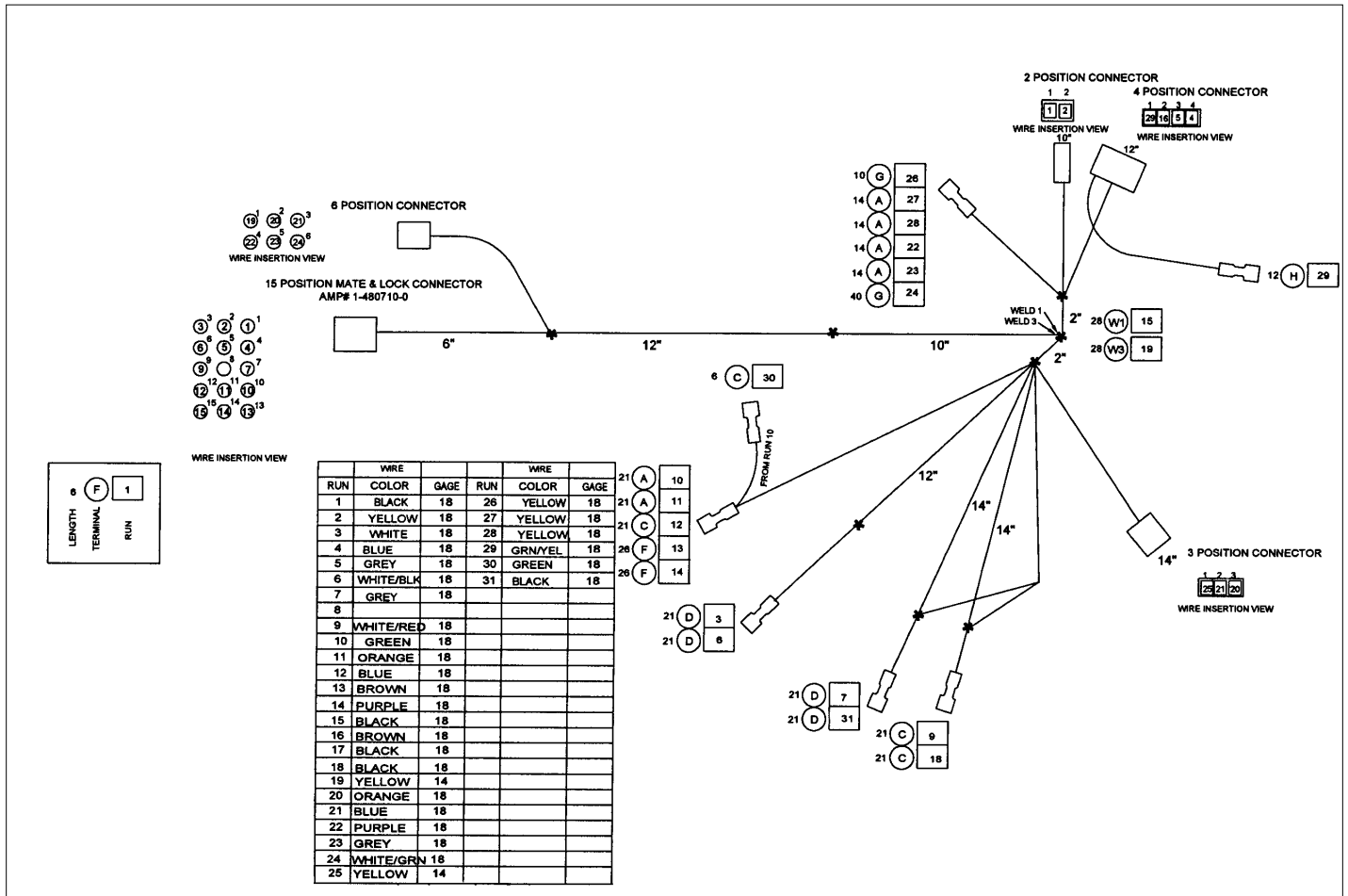
Item	Part No.	Name	Qty	Uom	NOTES
Not Shown	G32012723BT	30" DOOR ASSY W/LOGO *BT*	1	EA	NO LONGER AVAILABLE, Not available online / Call for pricing and availability
Not Shown	G32012723BTBR	COMPLETE DOOR ASSY. - BTBR	1	EA	Not available online / Call for pricing and availability
Not Shown	G32012723BU	30" DOOR ASSY W/LOGO *BU*	1	EA	NO LONGER AVAILABLE, Not available online / Call for pricing and availability
Not Shown	G32012723BUBR	COMPLETE DOOR ASSY. - BUBR	1	EA	Not available online / Call for pricing and availability
Not Shown	G32012723CB	30" DOOR ASSY W/LOGO *CB*	1	EA	NO LONGER AVAILABLE, Not available online / Call for pricing and availability
Not Shown	G32012723CBBR	30" DOOR ASSY W/LOGO *CBBR*	1	EA	
Not Shown	G32012723EP	30" DOOR ASSY W/LOGO *EP*	1	EA	NO LONGER AVAILABLE, Not available online / Call for pricing and availability
Not Shown	G32012723EPBR	COMPLETE DOOR ASSY. - EPBR	1	EA	Not available online / Call for pricing and availability
Not Shown	G32012723FG	30" DOOR ASSY W/LOGO *FG*	1	EA	NO LONGER AVAILABLE, Not available online / Call for pricing and availability
Not Shown	G32012723FGBR	COMPLETE DOOR ASSY. - FGBR	1	EA	Not available online / Call for pricing and availability
Not Shown	G32012723GG	30" DOOR ASSY W/LOGO *GG*	1	EA	NO LONGER AVAILABLE
Not Shown	G32012723GGBR	COMPLETE DOOR ASSY. - GGBR	1	EA	Not available online / Call for pricing and availability





Item	Part No.	Name	Qty	Uom	NOTES
Not Shown	G32012723LE	30" DOOR ASSY W/LOGO *LE*	1	EA	NO LONGER AVAILABLE, Not available online / Call for pricing and availability
Not Shown	G32012723LEBR	COMPLETE DOOR ASSY. - LEBR	1	EA	Not available online / Call for pricing and availability
Not Shown	G32012723MJ	30" DOOR ASSY W/LOGO *MJ*	1	EA	NO LONGER AVAILABLE
Not Shown	G32012723MJBR	COMPLETE DOOR ASSY. - MJBR	1	EA	Not available online / Call for pricing and availability
Not Shown	G32012723SG	30" DOOR ASSY W/LOGO *SG*	1	EA	
Not Shown	G32012723SGBR	COMPLETE DOOR ASSY. - SGBR	1	EA	Not available online / Call for pricing and availability
Not Shown	G32012723SS	30" DOOR ASSY W/LOGO	1	EA	
Not Shown	G32012723SSBR	COMPLETE DOOR ASSY. - SSBR	1	EA	Not available online / Call for pricing and availability
Not Shown	G32012723VB	30" DOOR ASSY W/LOGO *VB*	1	EA	NO LONGER AVAILABLE, Not available online / Call for pricing and availability
Not Shown	G32012723VBBR	COMPLETE DOOR ASSY. - VBBR	1	EA	Not available online / Call for pricing and availability
Not Shown	G32012723WH	30" DOOR ASSY W/LOGO *WH*	1	EA	NO LONGER AVAILABLE
Not Shown	G32012723WHBR	COMPLETE DOOR ASSY. - WHBR	1	EA	
NI	017736-000	WINDOW PACK INSULATION KIT	1	EA	

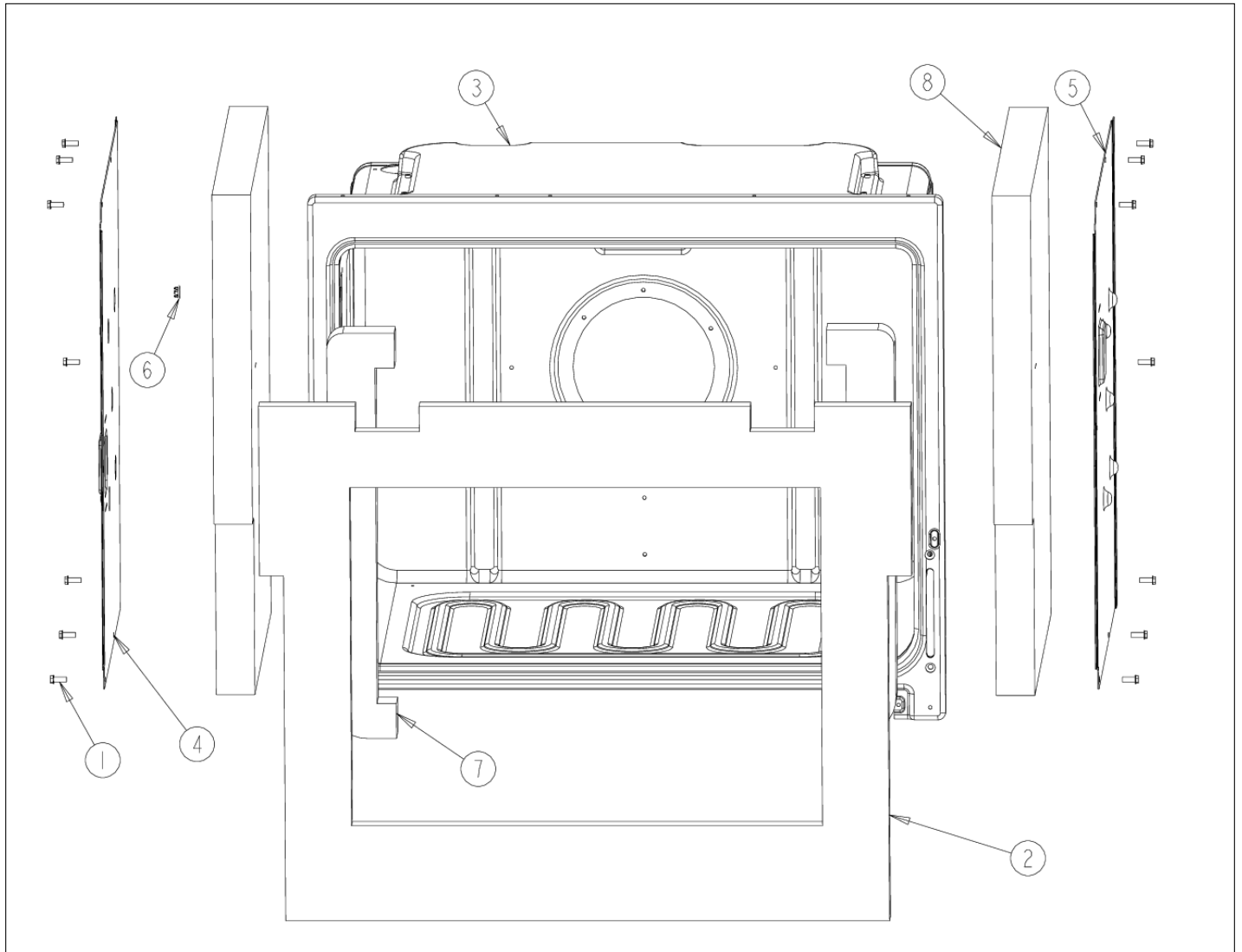
LOWER LATCH HARNESS





Item	Part No.	Name	Qty	Uom	NOTES
1	PE070740	LOWER LATCH HARNESS	1	EA	

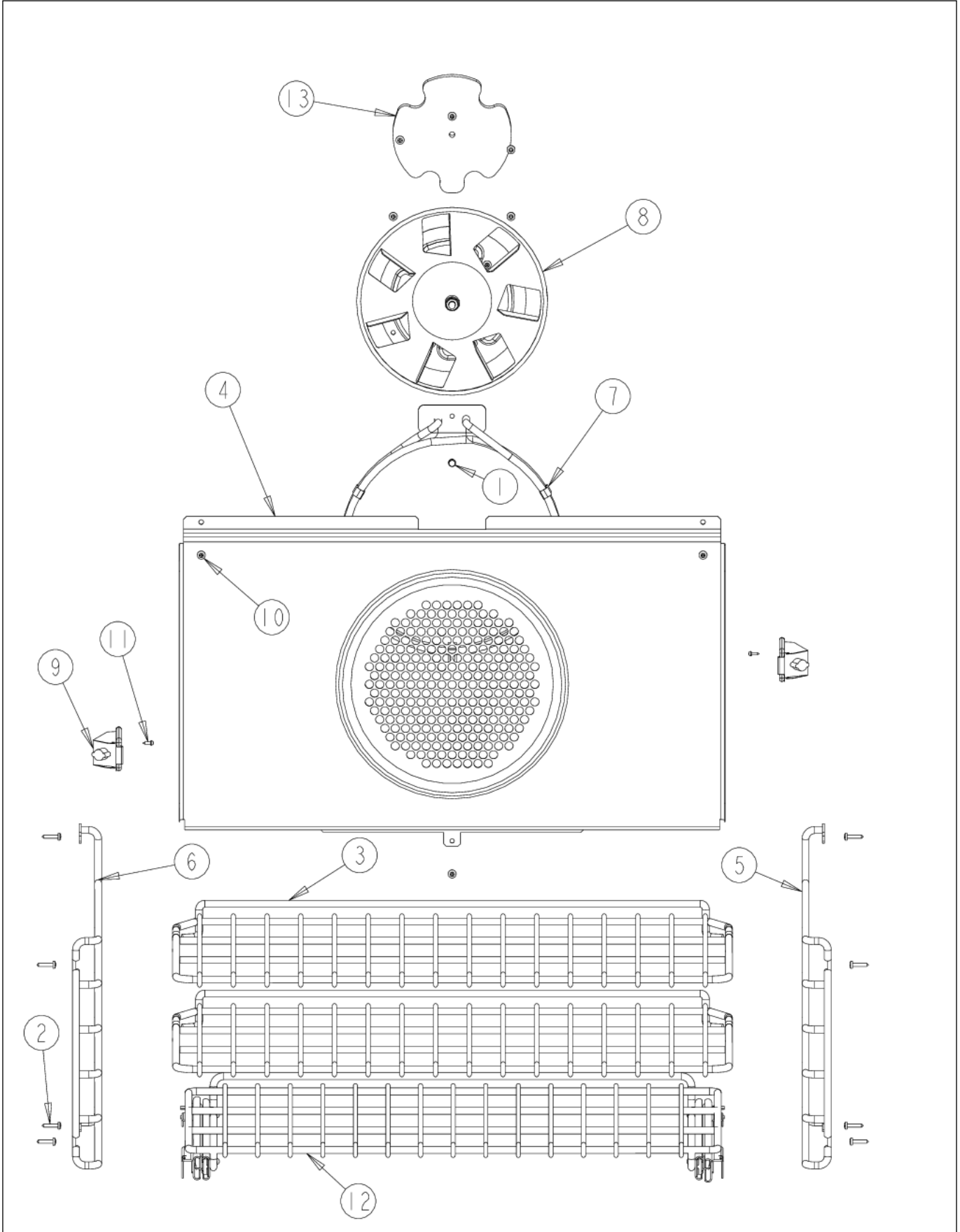
LOWER OVEN EXTERIOR CAVITY





Item	Part No.	Name	Qty	Uom	NOTES
1	PD020060	10 X 1/2" (5/16)HEX WSHER HD.(T)A	1	EA	
2	PB070272	30" DOOR INSULATION	1	EA	
3	G91014039	30" PREMIERE CAVITY ASSY	1	EA	
4	A20012650	BRKT, TOP WRAPPER LEFT	1	EA	Not available online / Call for pricing and availability
5	A2009622	BRKT, TOP WRAPPER, RIGHT	1	EA	Not available online / Call for pricing and availability
6	E91014053	PORCELAIN 25/64" HOLE PLUG	1	EA	Not available online / Call for pricing and availability
7	PB070271	DOOR PLUG INSULATION	1	EA	
8	PB070302	SIDE INSULATION	1	EA	

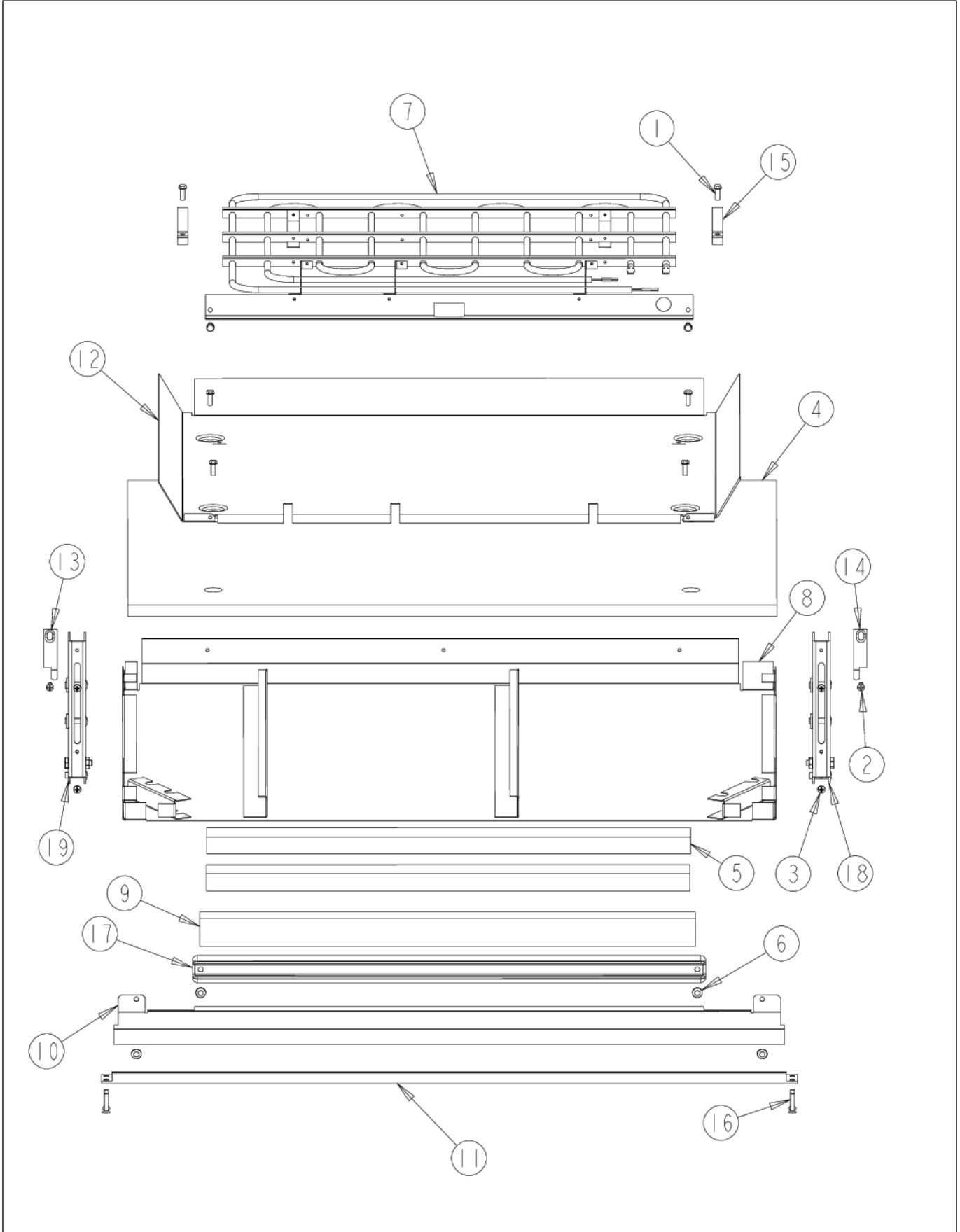
LOWER OVEN INTERIOR CAVITY





Item	Part No.	Name	Qty	Uom	NOTES
1	PD020060	10 X 1/2" (5/16)HEX WSHER HD.(T)A	1	EA	
2	PD020232	NO.8 X 3/4 PH PAN HEAD TEK SCREW (BLACK OXIDE)	1	EA	
3	PB060107	30" OVEN RACK	1	EA	
4	G91013598	30" BAFFLE ASSEMBLY	1	EA	
5	PB060103	RACK SUPPORT RH	1	EA	
6	PB060104	RACK SUPPORT LH	1	EA	
7	PJ010047	CONVECTION ELEMENT	1	EA	
8	G32014020	CONVECTION FAN ASSY	1	EA	
9	PE050056	OVEN LIGHT ASSY 12V/5W	1	EA	
Not Shown	NOTE	(BEFORE SERIAL # C-0396)		EA	
PE05023 8	005311-000	LAMP, OVEN, 120V/25W	1	EA	
Not Shown	NOTE	(AFTER SERIAL # C-0396)		EA	
10	PD020055	#10 X 1/2" PAN PHIL. TEK. SS	1	EA	
11	PD020013	TYPE "AB" #6 X 3/8 PH PAN HD. SMS	1	EA	
12	024102-000	PULLOUT RACK, 30"	1	EA	
13	PB070312	CONVECTION MOTOR MTG. PLATE INSULATION	1	EA	
NI	001097-000	FAN MOTOR JUMPER	1	EA	

LOWER OVEN LOWER AREA





Item	Part No.	Name	Qty	Uom	NOTES
1	PD020060	10 X 1/2" (5/16)HEX WSHER HD.(T)A	1	EA	
2	PD020061	SCREW	1	EA	
3	PD020062	#8-32 X 3/8 PHMS TYPE 1	1	EA	
4	PB070303	30" BOTTOM INSULATION	1	EA	
5	PB070269	30" WINDOW PACK INSULATION	1	EA	
6	PD020063	SCREW-#8(A) X 3/8"PH WFR HD/BK OXID	1	EA	
7	PJ010048	BAKE ELEMENT	1	EA	
8	G3009694	BASE MODULE ASSY 30"	1	EA	
9	PB070309	BAKE ELEMENT INSULATION	1	EA	
10	C90012831BK	BOTTOM AIR DEFLECTOR 30"	1	EA	
11	PE040274	30" PROF. BOTTOM TRIM	1	EA	
12	A2009612	ELEMENT, MTG TRAY	1	EA	
13	B21010916	LH HINGE CLIP	1	EA	
14	B21010915	RH HINGE CLIP	1	EA	
15	A2009696	HOLDER, BAKE ELEMENT	1	EA	
16	PD020170	Screw, 6 X 1 Pan Hd	1	EA	
17	E9109655	COVER, BAKE TRAY	1	EA	
18	PC020221	HINGE POCKET RECEIVER MANSFIELD RH	1	EA	
19	PC0202247	HINGE RECEIVER - LH	1	EA	Not available online / Call for pricing and availability

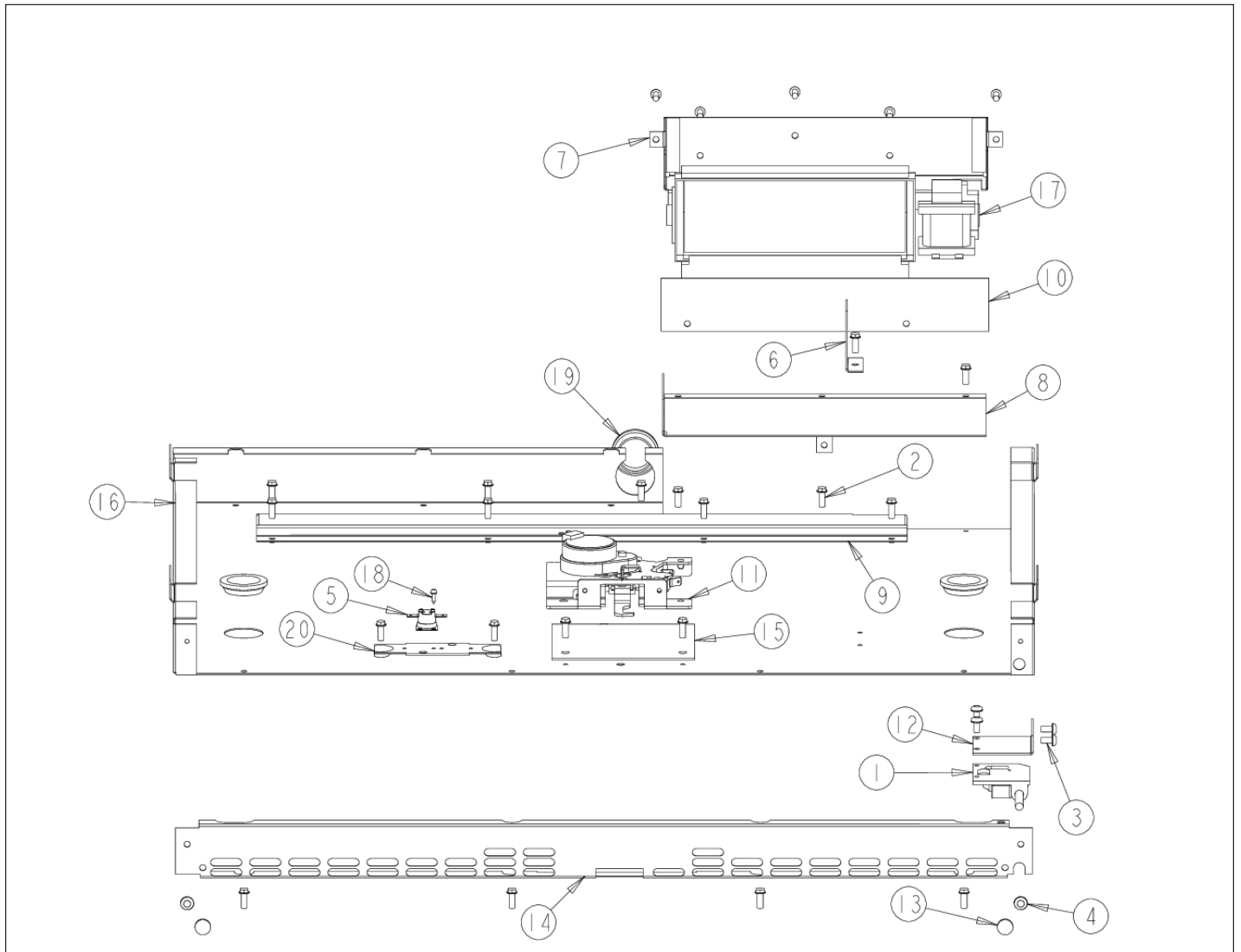
Item	Part No.	Name	Qty	Uom	NOTES
1	PE050208	DOOR SWITCH		EA	
2	PD020060	10 X 1/2" (5/16)HEX WSHER HD.(T)A		EA	
3	PD020004	10X3/8PH.HD.TYPE 25 REPL PD040125		EA	
4	PD020063	SCREW-#8(A) X 3/8"PH WFR HD/BK OXID		EA	
5	PJ030039	BI-METAL THERMOSTAT 275 DEGREES		EA	
6	A20014036	BOTTOM BLOWER DIVIDER		EA	
7	A2009660	BRACKET, BLOWER, DBL LOWER OVEN		EA	NO LONGER AVAILABLE, Not available online / Call for pricing and availability
8	A2009659	BRACKET, FILLER, BLOWER		EA	
9	A2009682	CATALYST EXHAUST, MIDDLE MODULE		EA	
10	A10010907	COVER, BLOWER		EA	
11	013250-000	LATCH,DOOR,ASM,240V,GRID DLE LOCKOUT		EA	
12	A20012649	DOOR SWITCH BRACKET		EA	
13	PD040004	GROMMET BUMPER		EA	
14	C9009680BK	INLET GRILL DBL LOWER OVEN 30"		EA	
15	PB070321	Lower Latch Insulation		EA	
16	A2009661	MODULE PAN 30"		EA	
17	PE050250	Blower		EA	

Comments for Part Num. PE050250

highendappsvc@gmail.com on Jan 28, 2019

If you need to replace cooling fan for the model vgsc5486gss serial date code 031412, do not order this fan, this fan is larger and configured wrong. The correct fan is 007794-000. it is smaller.

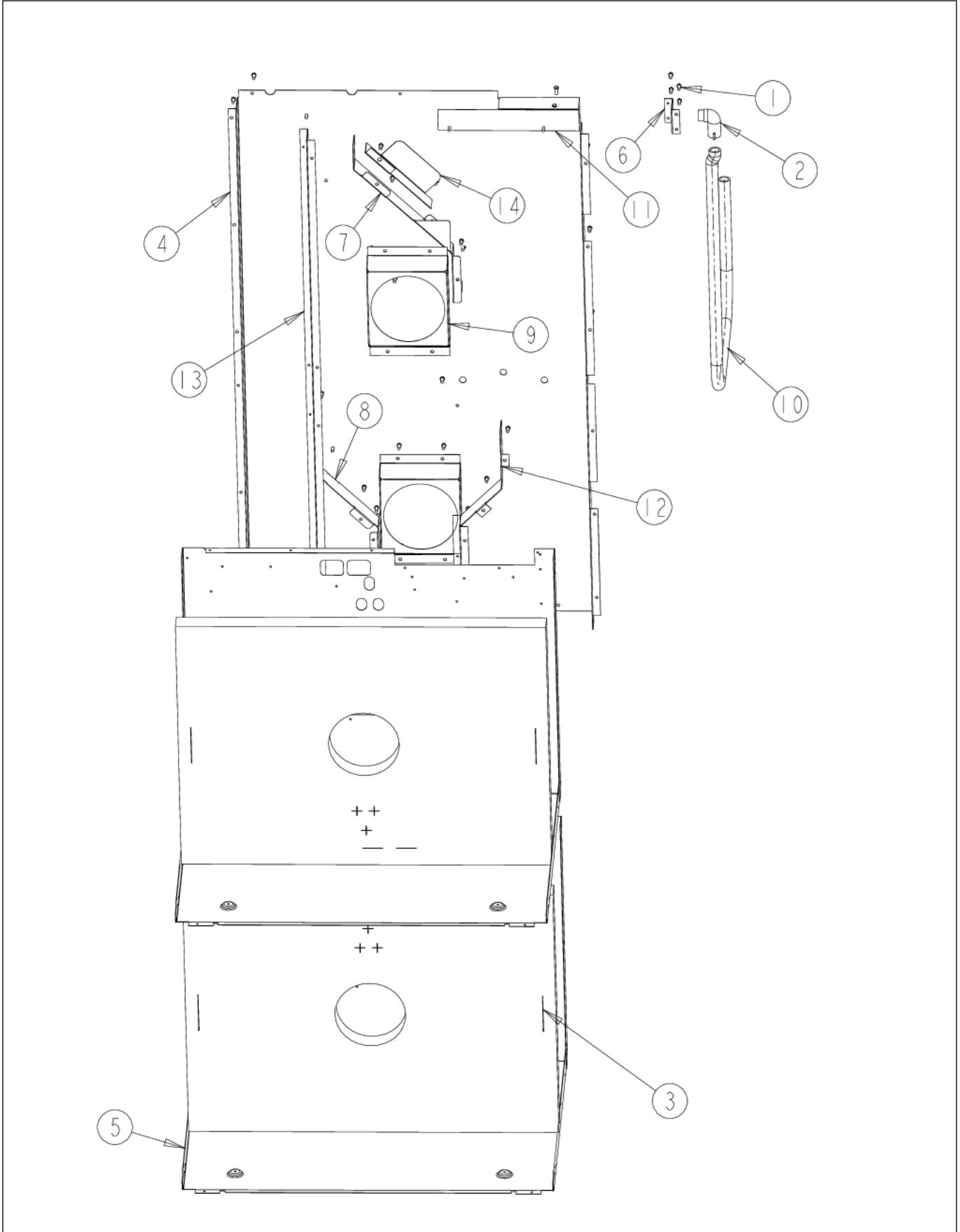
Not Shown	NOTE	(BEFORE 02/04/13)		EA	
17	018607-000	FAN, BLO, 220-240V 50/60 HZ ASM		EA	
Not Shown	NOTE	(ON OR AFTER 02/04/13)		EA	
18	PD020013	TYPE "AB" #6 X 3/8 PH PAN HD. SMS		EA	





Item	Part No.	Name	Qty	Uom	NOTES
19	PB070079	SILICONE EXTRUSION (DGSU)		EA	
20	A1002456	THERMO-DISC BRKT (VDSC)		EA	
Not Shown	NOTE	(Before 08/21/06)		EA	
20	A20014089	DISC BRACKET		EA	
Not Shown	NOTE	(After 08/21/06)		EA	

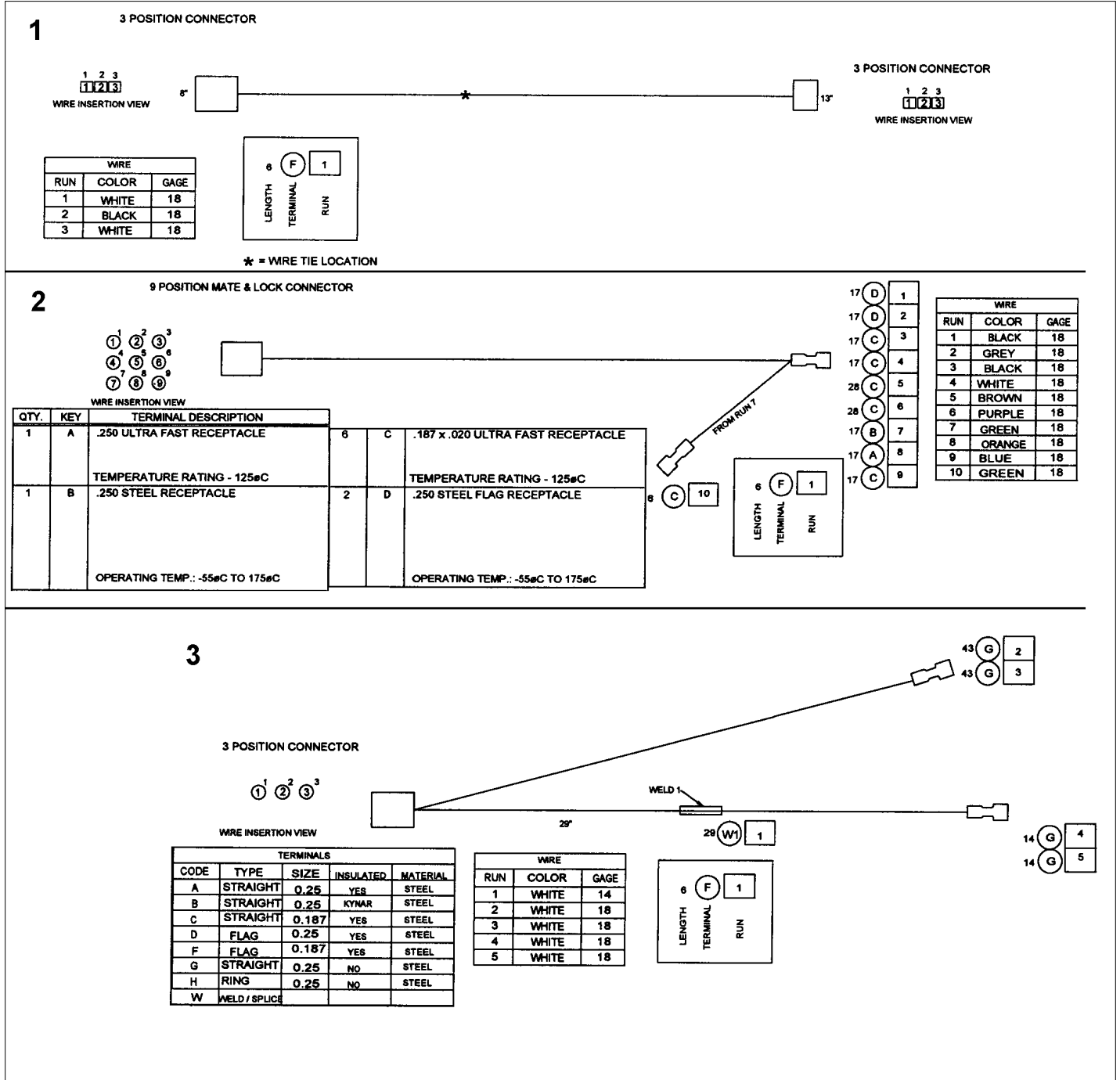
REAR UNIT





Item	Part No.	Name	Qty	Uom	NOTES
1	PD020060	10 X 1/2" (5/16)HEX WSHER HD.(T)A	1	EA	
2	PB040070	CONDUIT FITTING (90 DEG)	1	EA	
3	PB070304	30" BACK INSULATION	1	EA	NO LONGER AVAILABLE, Not available online / Call for pricing and availability
4	A2009683	PANEL, REAR	1	EA	
5	A2009620	BASE, BACK WRAPPER	1	EA	
6	A2009671	BRACKET, POWER CABLE	1	EA	
7	A21010918	BRACKET, AIR, CONVECTION MOTOR	1	EA	
8	A21010919	BRACKET, AIR, CONVECTION MOTOR	1	EA	
9	A2009697	BRACKET, CONVECTION INSULATION	1	EA	
10	PB020071	CONDUIT - FLEXIBLE (48")	1	EA	
11	A10010907	COVER, BLOWER	1	EA	
12	A2009699	REAR AIR DIVIDER, DBL, LOWER OVEN	1	EA	
13	A2009684	REAR AIR DIVIDER, DOUBLE OVEN	1	EA	
14	A20014052	WIRE SHIELD	1	EA	

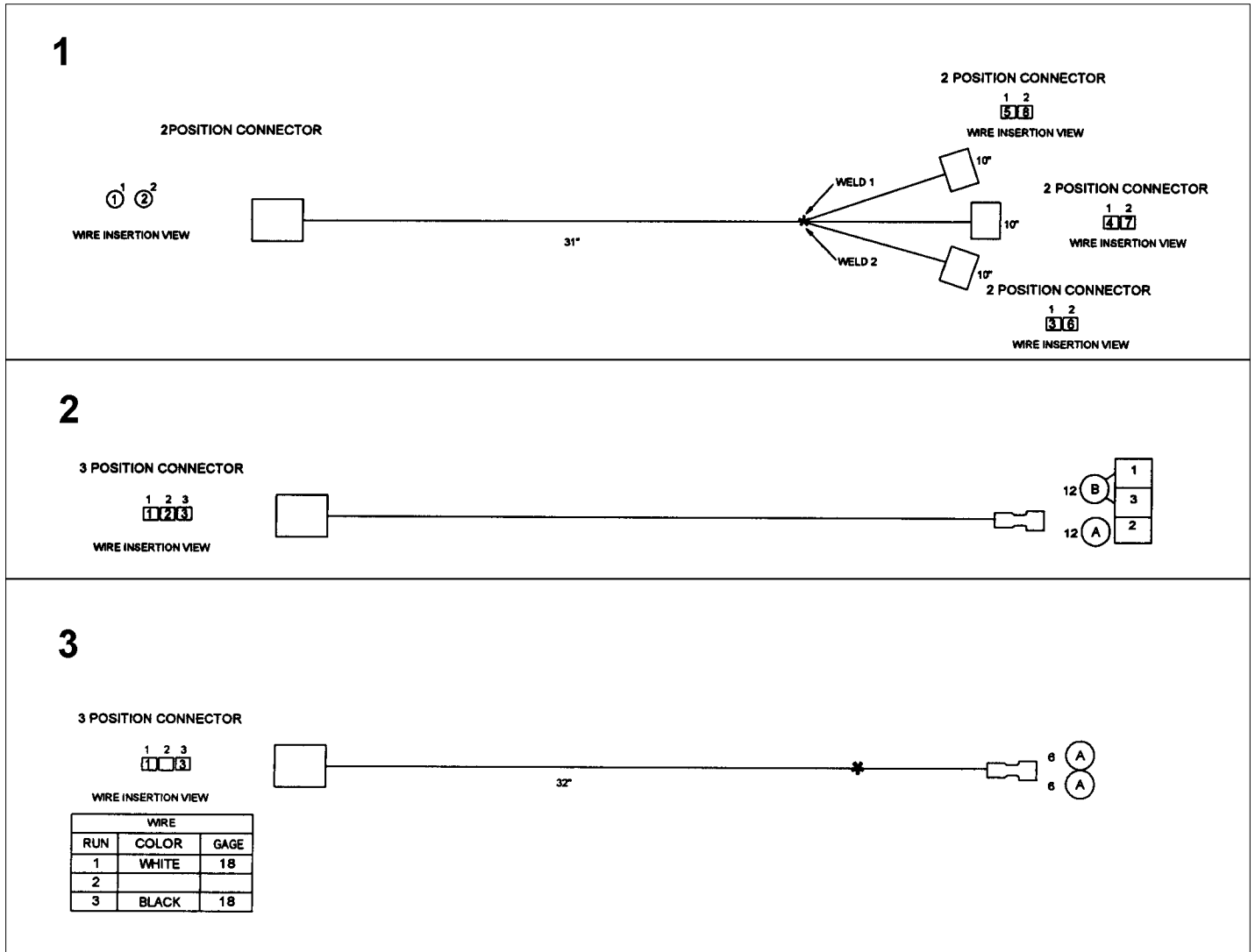
SIMPLE HARNESSES 1





Item	Part No.	Name	Qty	Uom	NOTES
1	PE070738	T/STAT-SEL HARNESS	1	EA	
Not Shown	PE070733	UPPER LATCH HARNESS	1	EA	
Not Shown	PE070739	BAKE ELEMENT HARNESS	1	EA	
NI	G4005496	SUPPLY WIRE - 100" BK 10GA SO/DO	1	EA	
NI	G4005497	SUPPLY WIRE - 100" GREEN 10GA SO/DO	1	EA	
NI	G4005499	SUPPLY WIRE - 100" RED 10GA SO/DO	1	EA	
NI	G4005494	SUPPLY WIRE - 75" WH 12 GA SO/DO - NLA	1	EA	

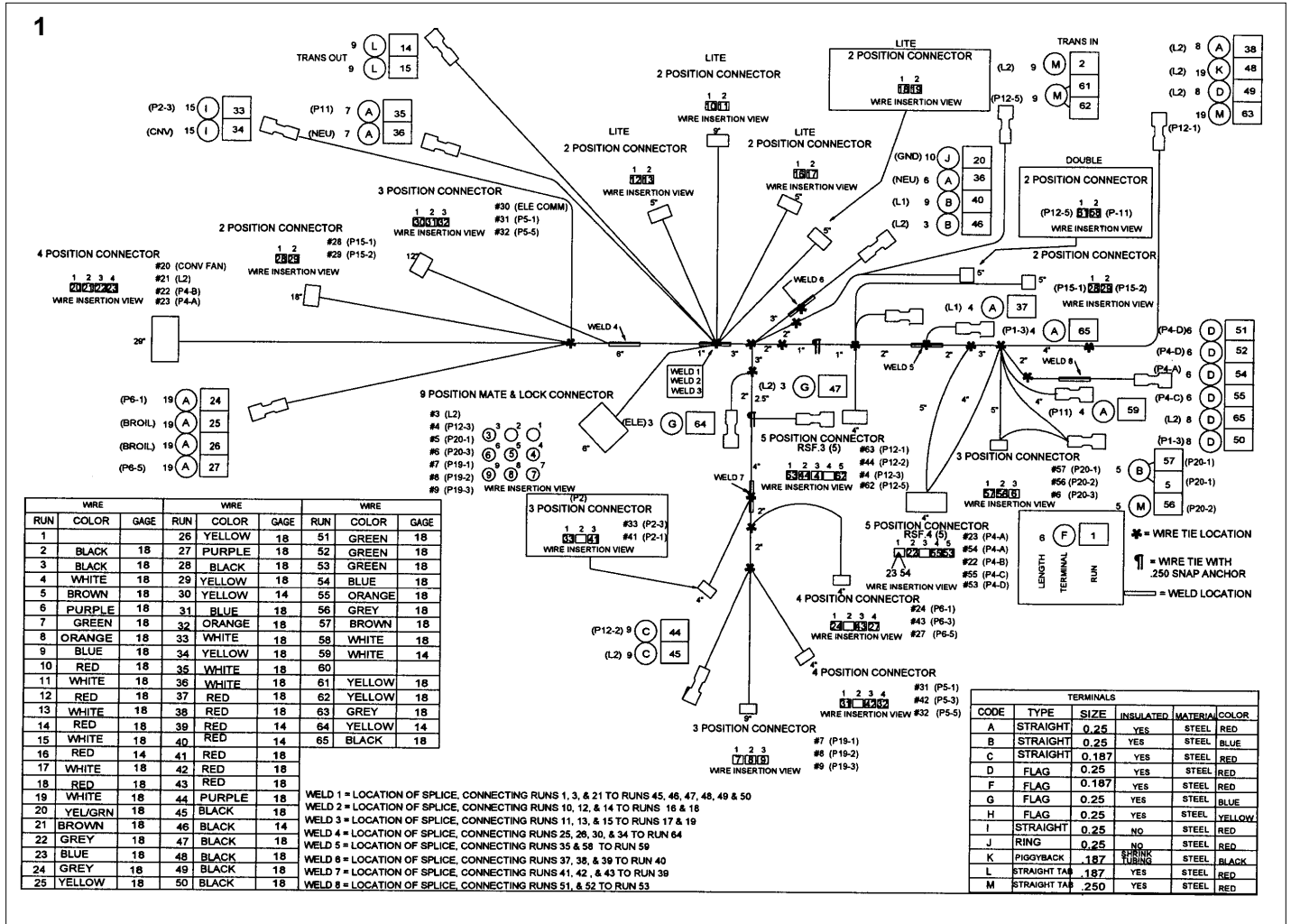
SIMPLE HARNESSES 2





Item	Part No.	Name	Qty	Uom	NOTES
1	PE070741	LOWER LIGHT HARNESS	1	EA	
2	PE070744	DOUBLE CLOCK HARNESS	1	EA	NO LONGER AVAILABLE
3	PE070735	MEAT PROBE HARNESS	1	EA	

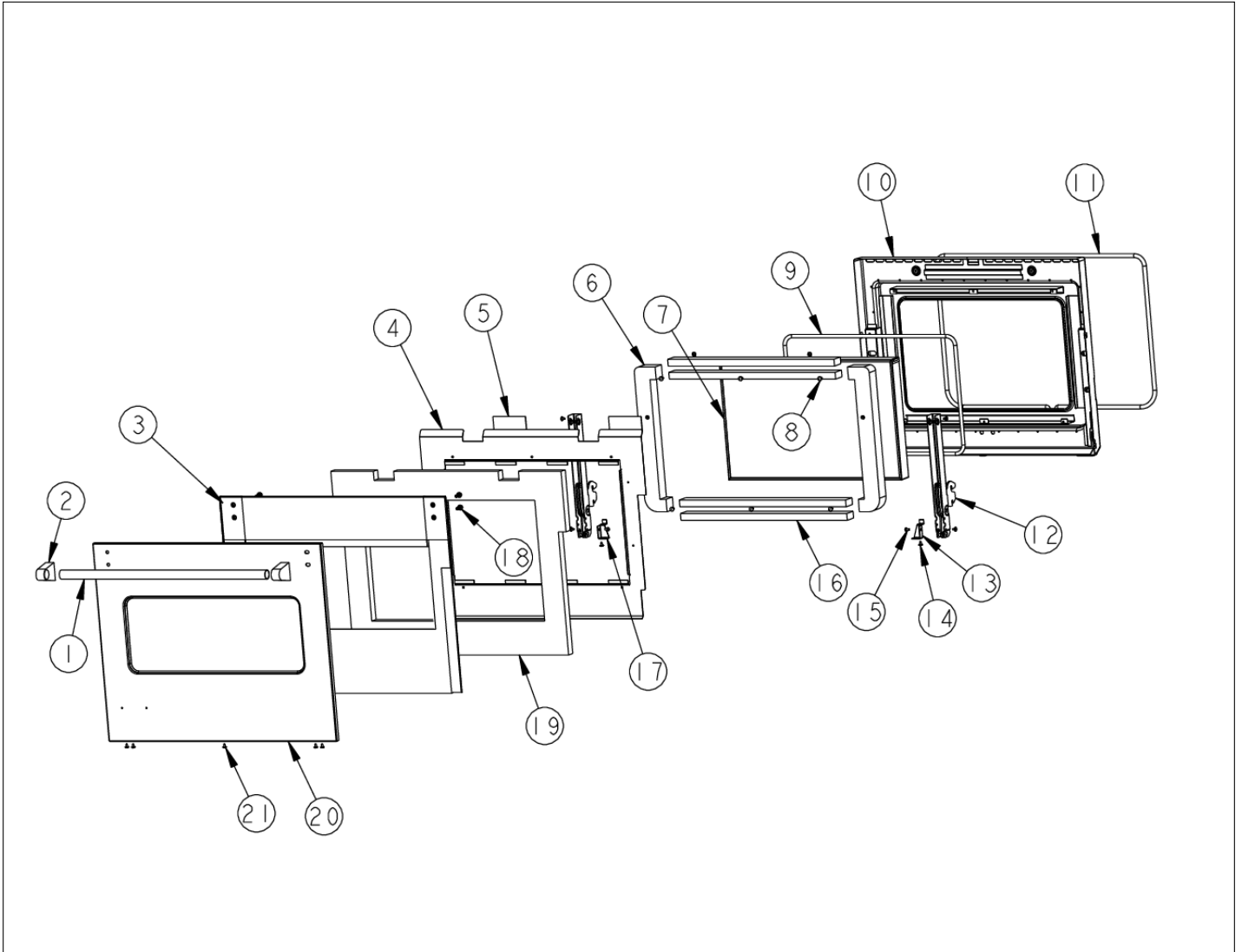
UPPER CONTROL HARNESS



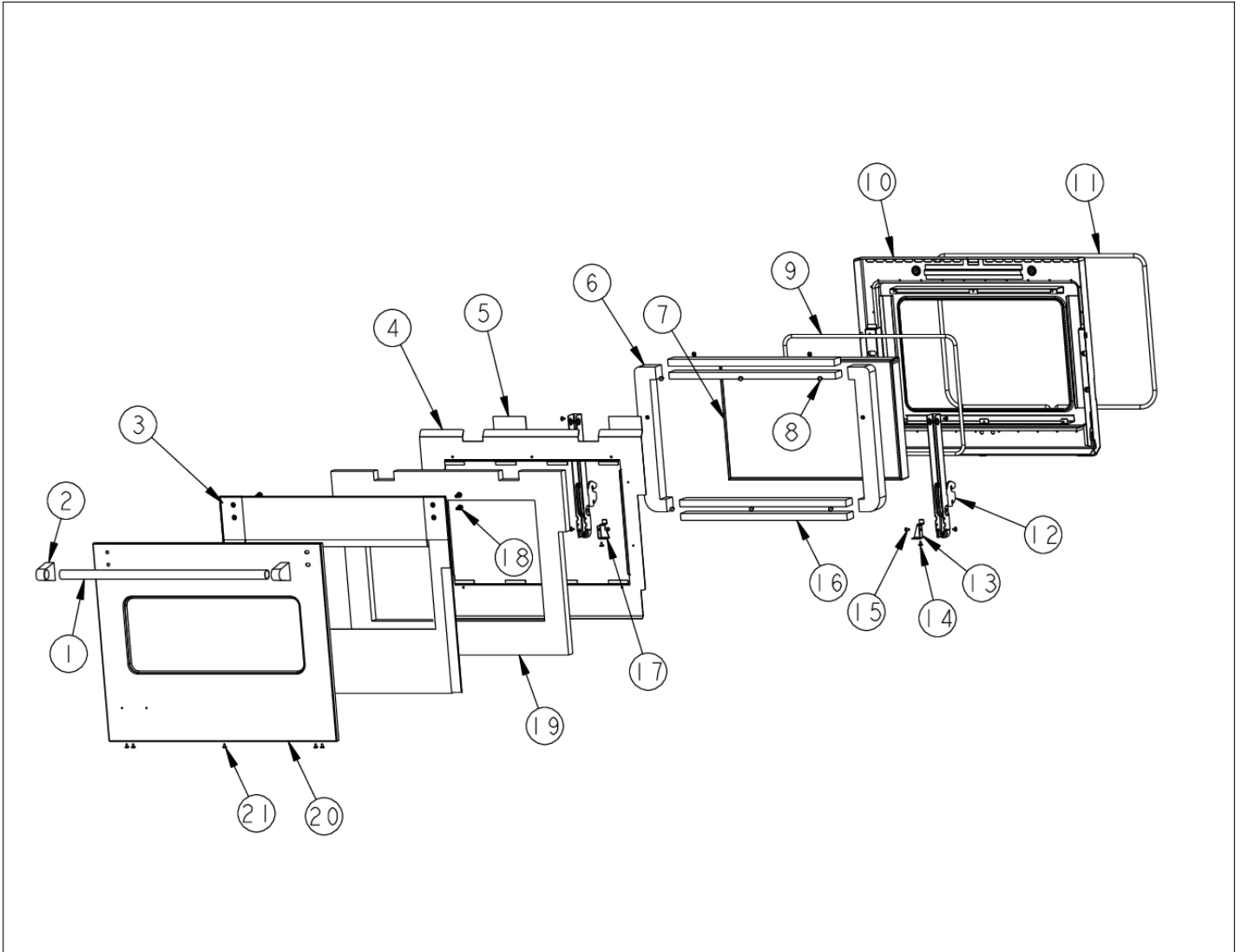


Item	Part No.	Name	Qty	Uom	NOTES
1	PE070742	UPPER CONTROL HARNESS	1	EA	

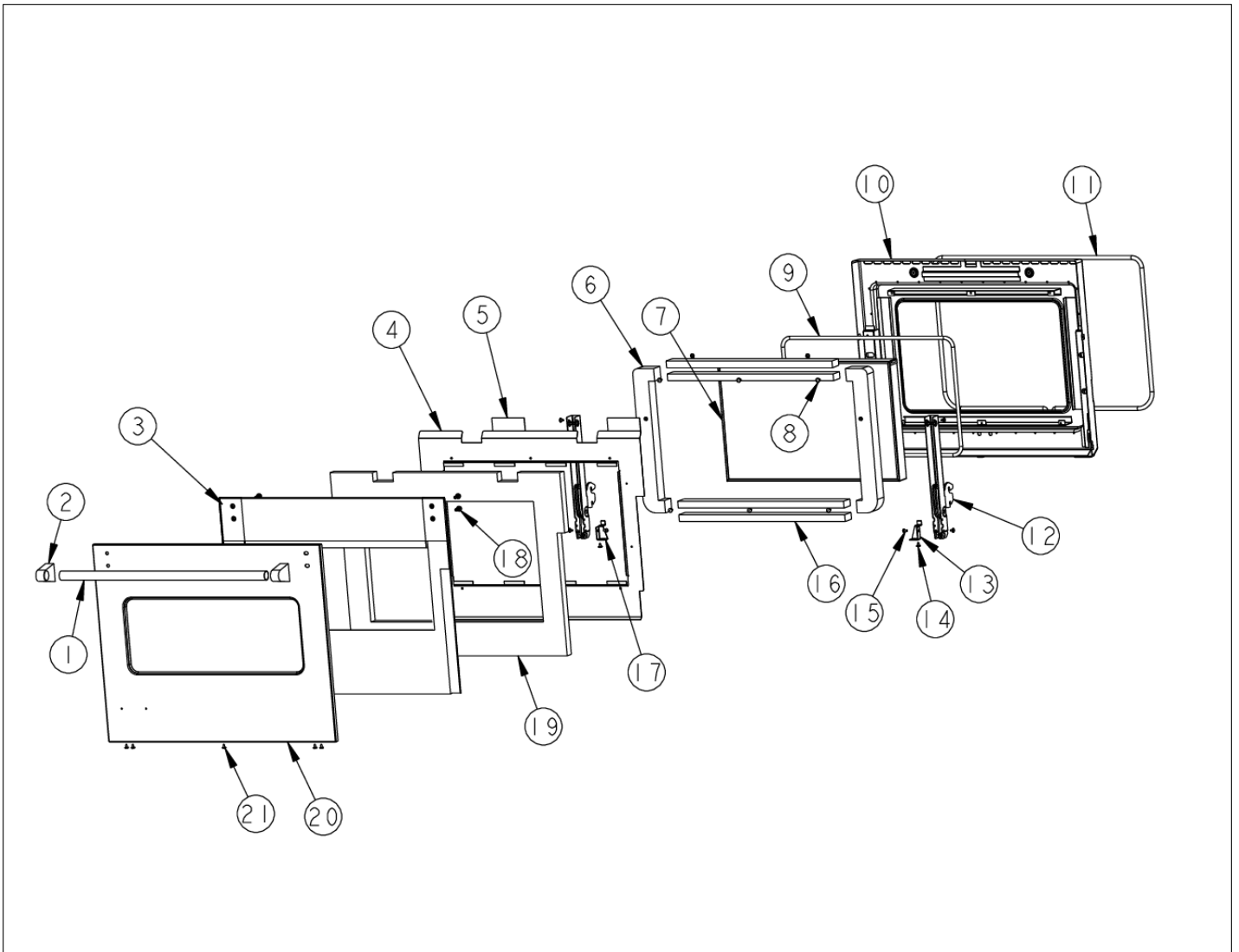
UPPER DOOR



Item	Part No.	Name	Qty	Uom	NOTES
1	PE030179	30" PROF. DOOR HANDLE	1	EA	
Not Shown	PE030179PVD	30" PROF. DOOR HANDLE *PVD* 24.907	1	EA	NO LONGER AVAILABLE, Not available online / Call for pricing and availability
2	000268-000	HANDLE ENDCAP	1	EA	
Not Shown	PE030001PVD	END CAP DOOR HANDLE *BR	1	EA	
3	001499-000	Pro 30" Insulation Retainer Kit (After 7-17-06)	1	EA	NO LONGER AVAILABLE
Not Shown	001500-000	Pro 30" Insulation Retainer Kit (Before 7-17-06)	1	EA	
4	A2009632	PANEL, INSULATION, INNER DOOR	1	EA	
5	PB070336	Door Bracket Insulation	1	EA	
6	PB070271	DOOR PLUG INSULATION	1	EA	
7	PE060094	30" WINDOW PACK	1	EA	
8	PD020002	10 X 1/2 PH TR HD SMS	1	EA	
9	000594-000	BLACK FIBERGLASS ROPE 3/8	1	EA	
10	G9109625	DOOR LINER PORC	1	EA	
11	PB070246	30" DOOR GASKET	1	EA	
12	006070-000	HINGE, DOOR, ASM, MANSFIELD, DES, GREEN SPRING	1	EA	
13	A20012640	HINGE SUPPORT RH	1	EA	
14	PD020063	SCREW-#8(A) X 3/8"PH WFR HD/BK OXID	1	EA	
15	PD020004	10X3/8PH.HD.TYPE 25 REPL PD040125	1	EA	
16	PB070269	30" WINDOW PACK INSULATION	1	EA	
17	A20012641	HINGE SUPPORT LH	1	EA	
18	PD020186	1/4"-20 X 3/4" HEX WASHER HEAD MS	1	EA	Not available online / Call for pricing and availability
19	PB070272	30" DOOR INSULATION	1	EA	
20	PS500017AL	30" PRO DOOR SKIN SERVICE KIT W/O LOGO AFTER 07/17/06 - AL	1	EA	NO LONGER AVAILABLE, Not available online / Call for pricing and availability

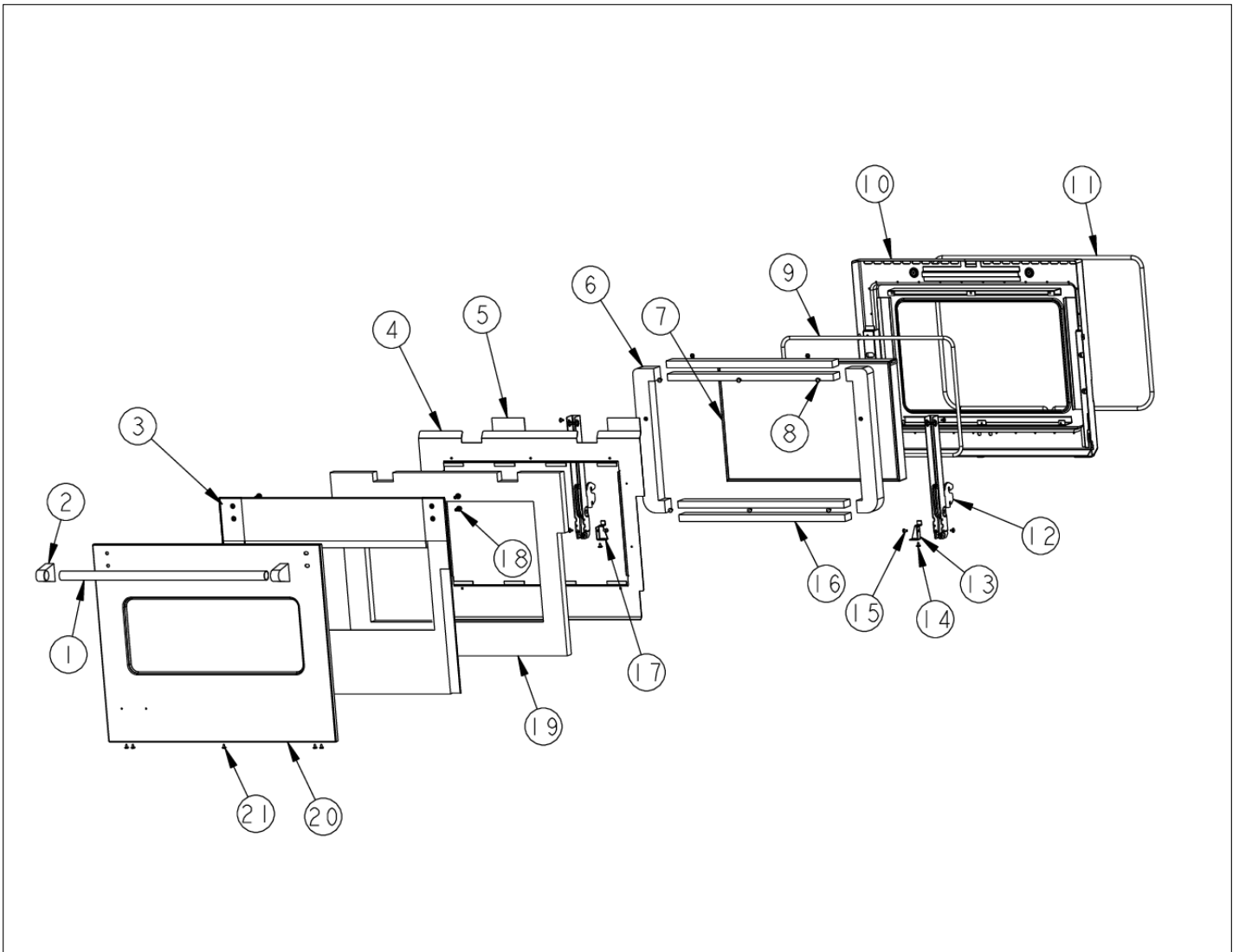


Item	Part No.	Name	Qty	Uom	NOTES
Not Shown	PS500017ALBR	30" PRO DOOR SKIN SERVICE KIT W/O LOGO AFTER 07/17/06 - AL/BR	1	EA	NO LONGER AVAILABLE, Not available online / Call for pricing and availability
Not Shown	PS500017BK	30" PRO DOOR SKIN SERVICE KIT W/O LOGO AFTER 07/17/06 - BK	1	EA	
Not Shown	PS500017BKBR	30" PRO DOOR SKIN SERVICE KIT W/O LOGO AFTER 07/17/06 - BK/BR	1	EA	
Not Shown	PS500017BT	30" PRO DOOR SKIN SERVICE KIT W/O LOGO AFTER 07/17/06 AFTER 07/17/06 - BT	1	EA	NO LONGER AVAILABLE, Not available online / Call for pricing and availability
Not Shown	PS500017BTBR	30" PRO DOOR SKIN SERVICE KIT W/O LOGO AFTER 07/17/06 - BT/BR	1	EA	NO LONGER AVAILABLE, Not available online / Call for pricing and availability
Not Shown	PS500017BU	30" PRO DOOR SKIN SERVICE KIT W/O LOGO AFTER 07/17/06 - BU	1	EA	
Not Shown	PS500017BUBR	30" PRO DOOR SKIN SERVICE KIT W/O LOGO AFTER 07/17/06 - BU/BR	1	EA	NO LONGER AVAILABLE, Not available online / Call for pricing and availability
Not Shown	PS500017CB	30" PRO DOOR SKIN SERVICE KIT W/O LOGO AFTER 07/17/06 - CB	1	EA	Not available online / Call for pricing and availability
Not Shown	PS500017CBBR	30" PRO DOOR SKIN SERVICE KIT W/O LOGO AFTER 07/17/06 - CB/BR	1	EA	NO LONGER AVAILABLE, Not available online / Call for pricing and availability
Not Shown	PS500017EP	30" PRO DOOR SKIN SERVICE KIT W/O LOGO AFTER 07/17/06 - EP	1	EA	NO LONGER AVAILABLE, Not available online / Call for pricing and availability
Not Shown	PS500017EPBR	30" PRO DOOR SKIN SERVICE KIT W/O LOGO AFTER 07/17/06 - EP/BR	1	EA	NO LONGER AVAILABLE, Not available online / Call for pricing and availability
Not Shown	PS500017FG	30" PRO DOOR SKIN SERVICE KIT W/O LOGO AFTER 07/17/06 - FG	1	EA	NO LONGER AVAILABLE, Not available online / Call for pricing and availability

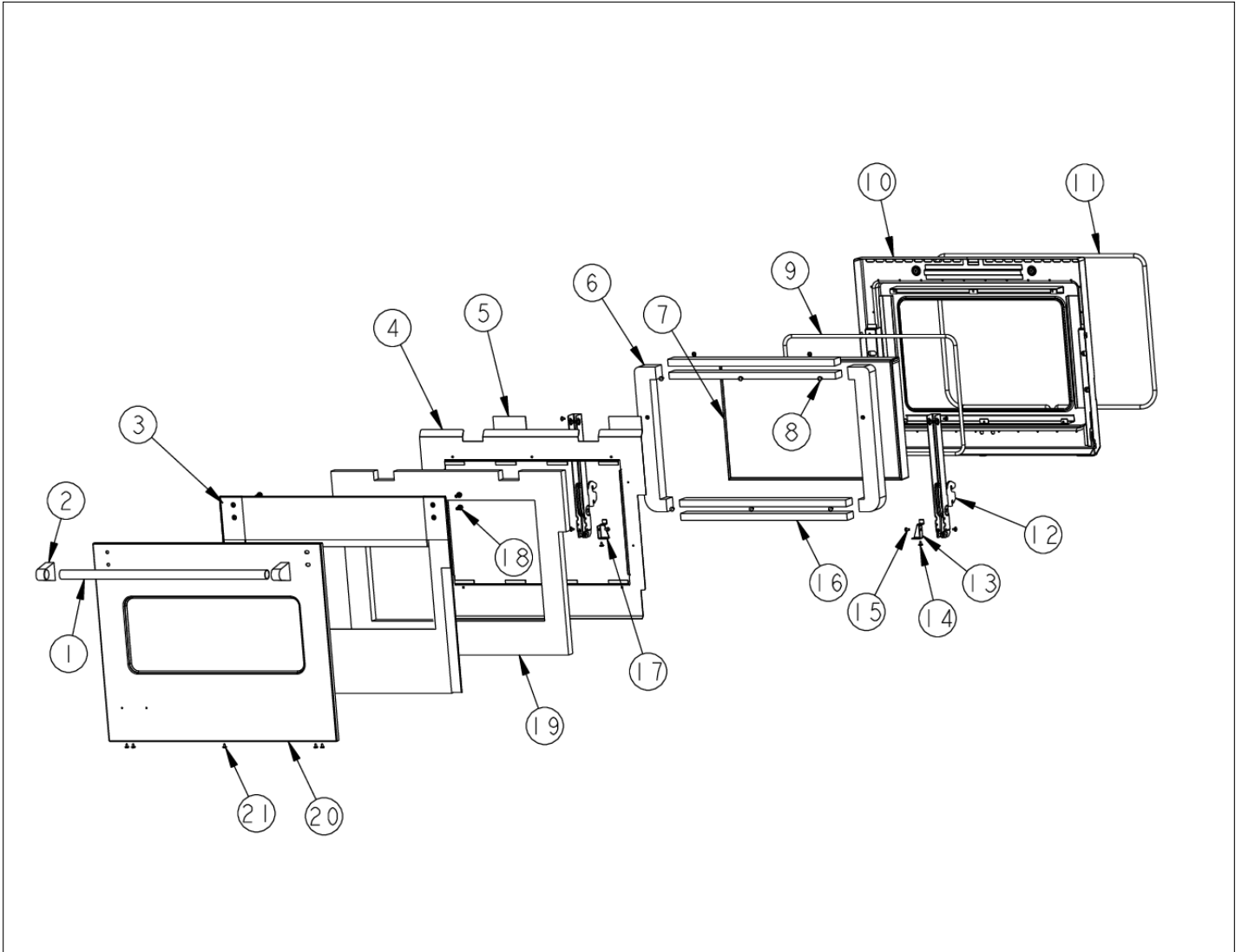




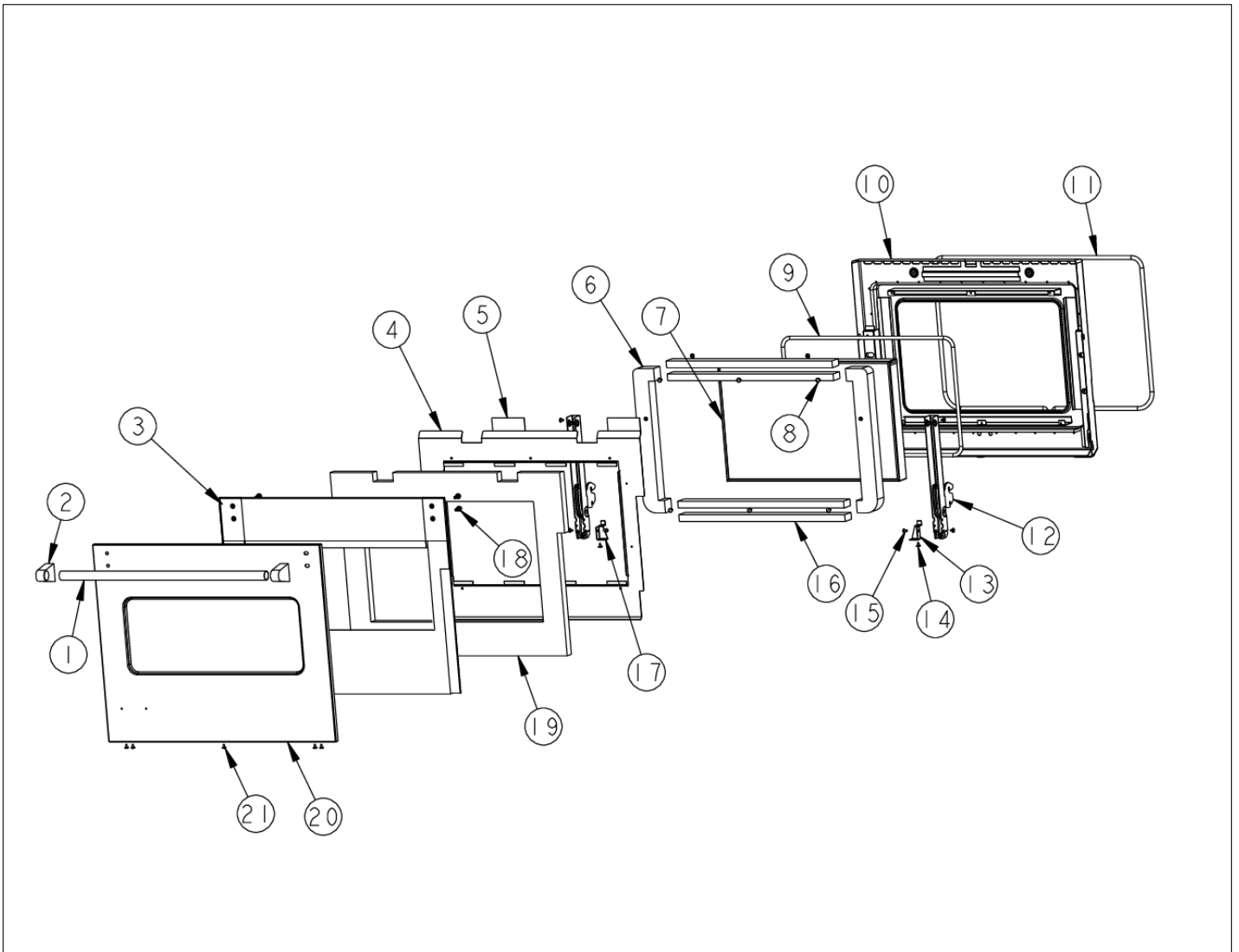
Item	Part No.	Name	Qty	Uom	NOTES
Not Shown	PS500017FGBR	30" PRO DOOR SKIN SERVICE KIT W/O LOGO AFTER 07/17/06 - FG/BR	1	EA	NO LONGER AVAILABLE, Not available online / Call for pricing and availability
Not Shown	PS500017GG	30" PRO DOOR SKIN SERVICE KIT W/O LOGO AFTER 07/17/06 - GG	1	EA	NO LONGER AVAILABLE
Not Shown	PS500017GGBR	30" PRO DOOR SKIN SERVICE KIT W/O LOGO AFTER 07/17/06 - GG/BR	1	EA	NO LONGER AVAILABLE, Not available online / Call for pricing and availability
Not Shown	PS500017LE	30" PRO DOOR SKIN SERVICE KIT W/O LOGO AFTER 07/17/06 - LE	1	EA	NO LONGER AVAILABLE, Not available online / Call for pricing and availability
Not Shown	PS500017LEBR	30" PRO DOOR SKIN SERVICE KIT W/O LOGO AFTER 07/17/06 - LE/BR	1	EA	NO LONGER AVAILABLE, Not available online / Call for pricing and availability
Not Shown	PS500017MJ	30" PRO DOOR SKIN SERVICE KIT W/O LOGO AFTER 07/17/06 - MJ	1	EA	NO LONGER AVAILABLE
Not Shown	PS500017MJBR	30" PRO DOOR SKIN SERVICE KIT W/O LOGO AFTER 07/17/06 - MJ/BR	1	EA	NO LONGER AVAILABLE, Not available online / Call for pricing and availability
Not Shown	PS500017SG	30" PRO DOOR SKIN SERVICE KIT W/O LOGO AFTER 07/17/06 - SG	1	EA	NO LONGER AVAILABLE
Not Shown	PS500017SGBR	30" PRO DOOR SKIN SERVICE KIT W/O LOGO - SG/BR	1	EA	NO LONGER AVAILABLE, Not available online / Call for pricing and availability
Not Shown	PS500017SS	30" PRO DOOR SKIN SERVICE KIT W/O LOGO AFTER 07/17/06 AFTER - SS	1	EA	
Not Shown	PS500017SSBR	30" PRO DOOR SKIN SERVICE KIT W/O LOGO AFTER 07/17/06 - SS/BR	1	EA	NO LONGER AVAILABLE
Not Shown	PS500017VB	30" PRO DOOR SKIN SERVICE KIT W/O LOGO AFTER 07/17/06 - VB	1	EA	NO LONGER AVAILABLE
Not Shown	PS500017VBBR	30" PRO DOOR SKIN SERVICE KIT W/O LOGO AFTER 07/17/06 - VB/BR	1	EA	



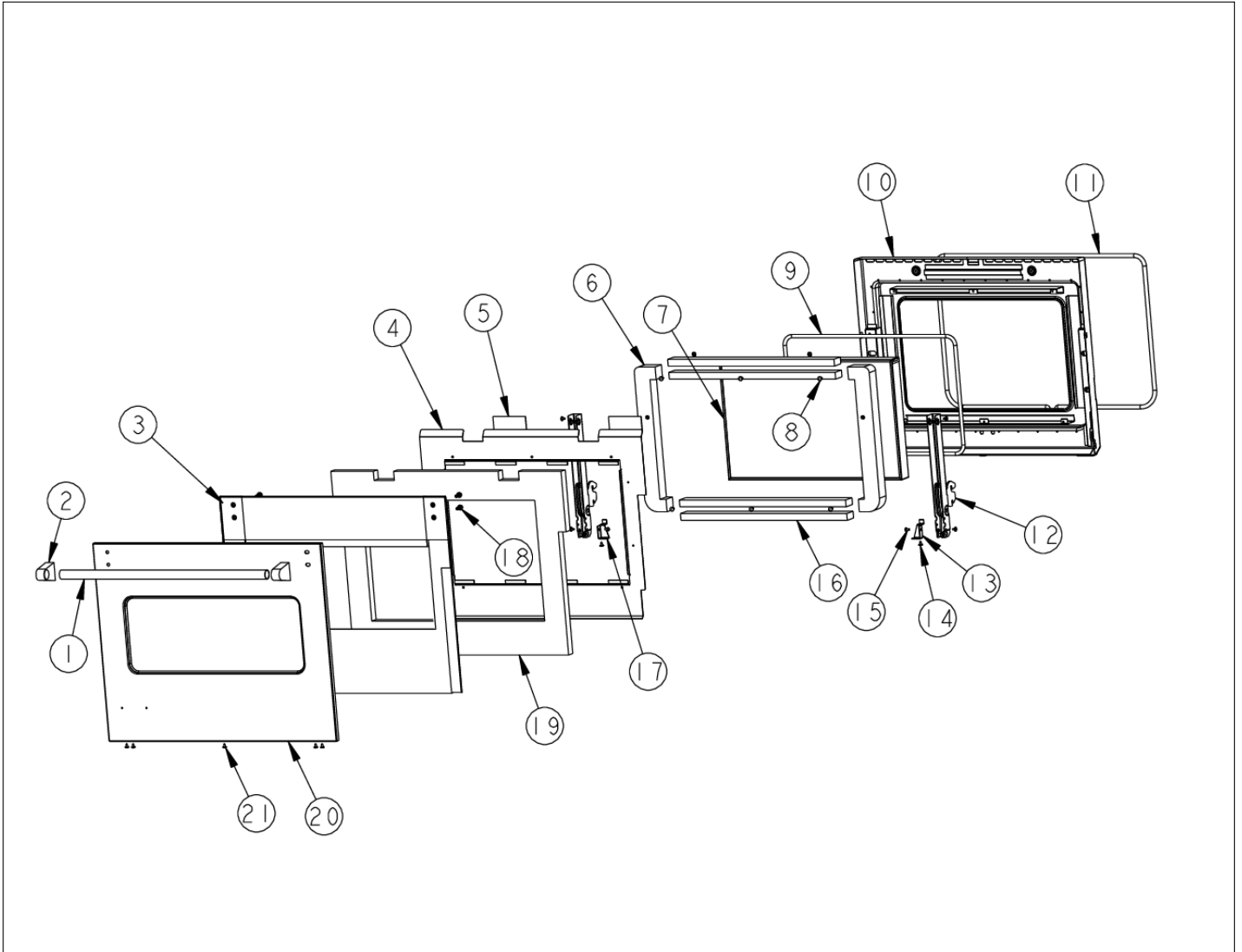
Item	Part No.	Name	Qty	Uom	NOTES
Not Shown	PS500017WH	30" PRO DOOR SKIN SERVICE KIT W/O LOGO AFTER 07/17/06 - WH	1	EA	Not available online / Call for pricing and availability
Not Shown	PS500017WHBR	30" PRO DOOR SKIN SERVICE KIT W/O LOGO AFTER 07/17/06 - WH/BR	1	EA	NO LONGER AVAILABLE, Not available online / Call for pricing and availability
Not Shown	PS500021AL	30" PRO DOOR SKIN SERVICE KIT W/O LOGO BEFORE 07/17/06 - AL	1	EA	NO LONGER AVAILABLE, Not available online / Call for pricing and availability
Not Shown	PS500021ALBR	30" PRO DOOR SKIN SERVICE KIT W/O LOGO BEFORE 07/17/06 - AL/BR	1	EA	NO LONGER AVAILABLE, Not available online / Call for pricing and availability
Not Shown	PS500021BK	30" PRO DOOR SKIN SERVICE KIT W/O LOGO BEFORE 07/17/06 - BK	1	EA	NO LONGER AVAILABLE, Not available online / Call for pricing and availability
Not Shown	PS500021BKBR	30" PRO DOOR SKIN SERVICE KIT W/O LOGO BEFORE 07/17/06 - BK/BR	1	EA	NO LONGER AVAILABLE, Not available online / Call for pricing and availability
Not Shown	PS500021BT	30" PRO DOOR SKIN SERVICE KIT W/O LOGO BEFORE 07/17/06- BT	1	EA	NO LONGER AVAILABLE, Not available online / Call for pricing and availability
Not Shown	PS500021BTBR	30" PRO DOOR SKIN SERVICE KIT W/O LOGO - BT/BR	1	EA	NO LONGER AVAILABLE, Not available online / Call for pricing and availability
Not Shown	PS500021BU	30" PRO DOOR SKIN SERVICE KIT W/O LOGO BEFORE 07/17/06- BU	1	EA	NO LONGER AVAILABLE, Not available online / Call for pricing and availability
Not Shown	PS500021BUBR	30" PRO DOOR SKIN SERVICE KIT W/O LOGO BEFORE 07/17/06- BU/BR	1	EA	NO LONGER AVAILABLE, Not available online / Call for pricing and availability
Not Shown	PS500021CB	30" PRO DOOR SKIN SERVICE KIT W/O LOGO BEFORE 07/17/06 - CB	1	EA	NO LONGER AVAILABLE, Not available online / Call for pricing and availability



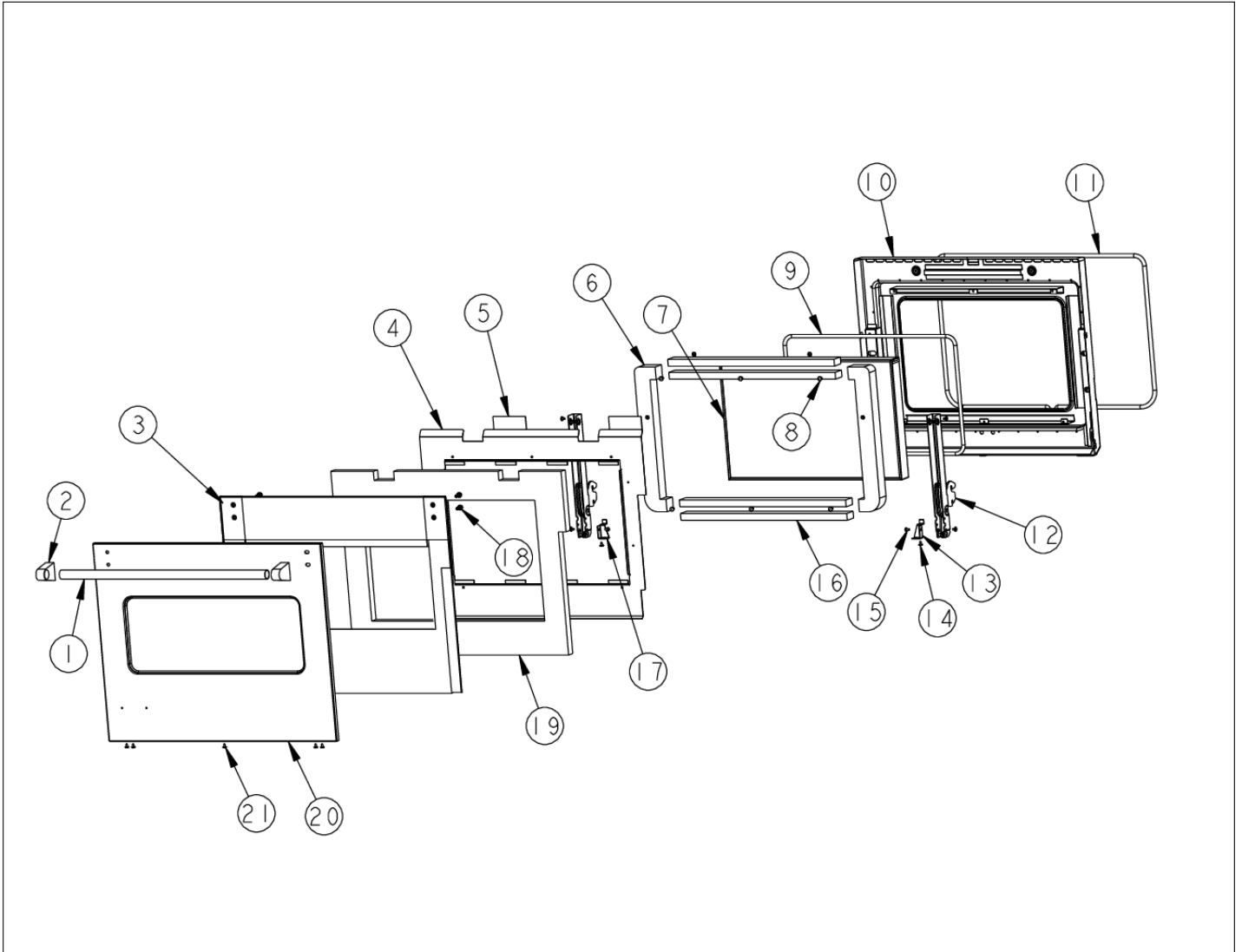
Item	Part No.	Name	Qty	Uom	NOTES
Not Shown	PS500021CBBR	30" PRO DOOR SKIN SERVICE KIT W/O LOGO BEFORE 07/17/06 - CB/BR	1	EA	NO LONGER AVAILABLE, Not available online / Call for pricing and availability
Not Shown	PS500021EP	30" PRO DOOR SKIN SERVICE KIT W/O LOGO BEFORE 07/17/06 - EP	1	EA	NO LONGER AVAILABLE, Not available online / Call for pricing and availability
Not Shown	PS500021EPBR	30" PRO DOOR SKIN SERVICE KIT W/O LOGO BEFORE 07/17/06 - EP/BR	1	EA	NO LONGER AVAILABLE, Not available online / Call for pricing and availability
Not Shown	PS500021FG	30" PRO DOOR SKIN SERVICE KIT W/O LOGO BEFORE 07/17/06 - FG	1	EA	NO LONGER AVAILABLE, Not available online / Call for pricing and availability
Not Shown	PS500021FGBR	30" PRO DOOR SKIN SERVICE KIT W/O LOGO BEFORE 07/17/06 - FG/BR	1	EA	NO LONGER AVAILABLE, Not available online / Call for pricing and availability
Not Shown	PS500021GG	30" PRO DOOR SKIN SERVICE KIT W/O LOGO BEFORE 07/17/06 - GG	1	EA	NO LONGER AVAILABLE, Not available online / Call for pricing and availability
Not Shown	PS500021GGBR	30" PRO DOOR SKIN SERVICE KIT W/O LOGO BEFORE 07/17/06- GG/BR	1	EA	NO LONGER AVAILABLE, Not available online / Call for pricing and availability
Not Shown	PS500021LE	30" PRO DOOR SKIN SERVICE KIT W/O LOGO BEFORE 07/17/06 - LE	1	EA	NO LONGER AVAILABLE, Not available online / Call for pricing and availability
Not Shown	PS500021LEBR	30" PRO DOOR SKIN SERVICE KIT W/O LOGO BEFORE 07/17/06 - LE/BR	1	EA	NO LONGER AVAILABLE, Not available online / Call for pricing and availability
Not Shown	PS500021MJ	30" PRO DOOR SKIN SERVICE KIT W/O LOGO BEFORE 07/17/06 - MJ	1	EA	NO LONGER AVAILABLE, Not available online / Call for pricing and availability
Not Shown	PS500021MJBR	30" PRO DOOR SKIN SERVICE KIT W/O LOGO BEFORE 07/17/06- MJ/BR	1	EA	NO LONGER AVAILABLE, Not available online / Call for pricing and availability



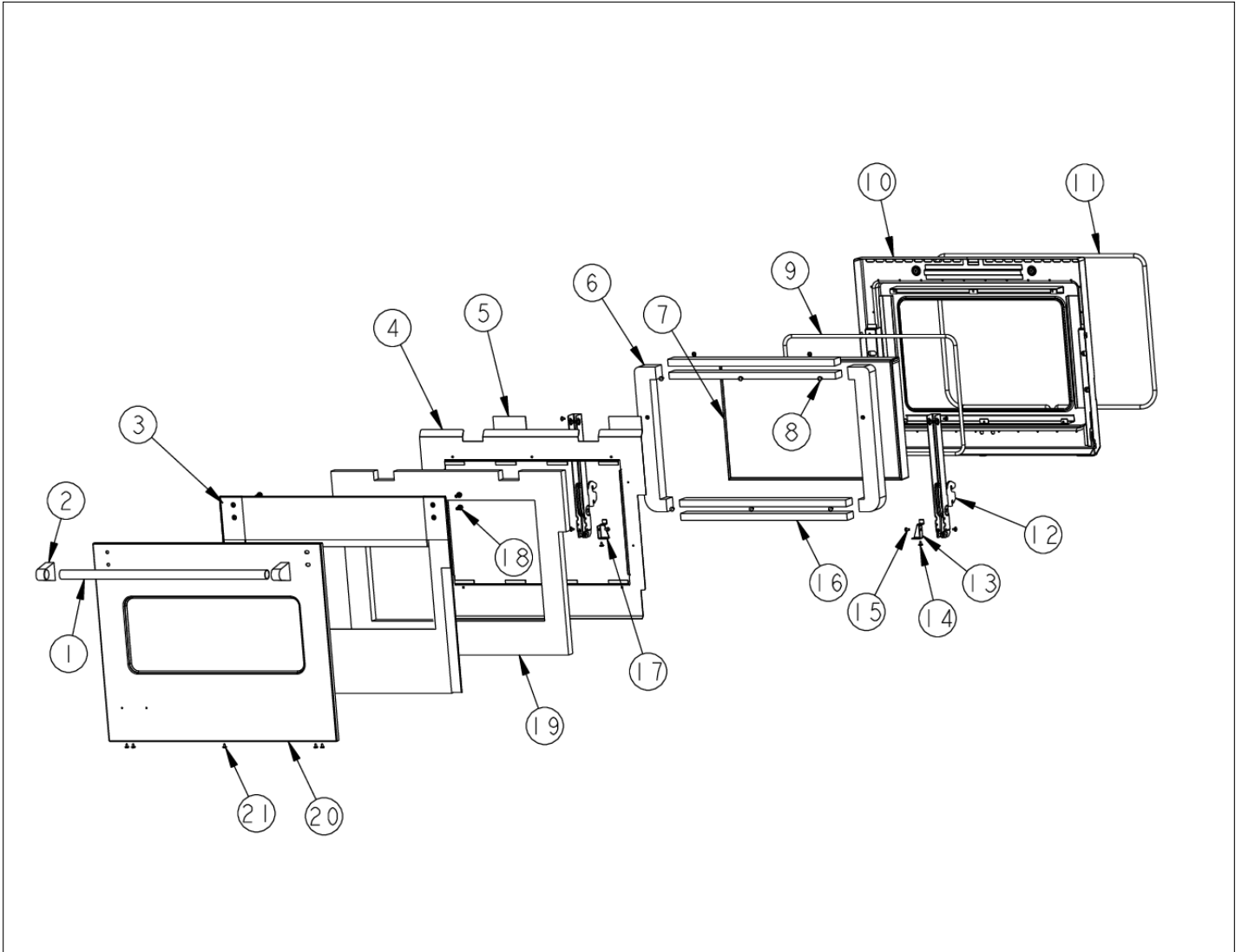
Item	Part No.	Name	Qty	Uom	NOTES
Not Shown	PS500021SG	30" PRO DOOR SKIN SERVICE KIT W/O LOGO BEFORE 07/17/06 - SG	1	EA	NO LONGER AVAILABLE, Not available online / Call for pricing and availability
Not Shown	PS500021SGBR	30" PRO DOOR SKIN SERVICE KIT W/O LOGO BEFORE 07/17/06 - SG/BR	1	EA	NO LONGER AVAILABLE, Not available online / Call for pricing and availability
Not Shown	PS500021SS	30" PRO DOOR SKIN SERVICE KIT W/O LOGO BEFORE 07/17/06 - SS	1	EA	
Not Shown	PS500021SSBR	30" PRO DOOR SKIN SERVICE KIT W/O LOGO BEFORE 07/17/06- SS/BR	1	EA	NO LONGER AVAILABLE, Not available online / Call for pricing and availability
Not Shown	PS500021VB	30" PRO DOOR SKIN SERVICE KIT W/O LOGO BEFORE 07/17/06 - VB	1	EA	NO LONGER AVAILABLE, Not available online / Call for pricing and availability
Not Shown	PS500021VBRR	30" PRO DOOR SKIN SERVICE KIT W/O LOGO BEFORE 07/17/06 - VB/BR	1	EA	NO LONGER AVAILABLE, Not available online / Call for pricing and availability
Not Shown	PS500021WH	30" PRO DOOR SKIN SERVICE KIT W/O LOGO BEFORE 07/17/06 - WH	1	EA	NO LONGER AVAILABLE, Not available online / Call for pricing and availability
Not Shown	PS500021WHBR	30" PRO DOOR SKIN SERVICE KIT W/O LOGO BEFORE 07/17/06 - WH/BR	1	EA	NO LONGER AVAILABLE, Not available online / Call for pricing and availability
21	PD020032	SRW-8(A)X3/8"PH.WFR HD 7/16DIA*NICL	1	EA	
NI	G32012724AL	30" DOOR ASSY W/O LOGO *AL*	1	EA	NO LONGER AVAILABLE, Not available online / Call for pricing and availability
Not Shown	G32012724ALBR	COMPLETE DOOR ASSY. - ALBR	1	EA	Not available online / Call for pricing and availability
Not Shown	G32012724BK	30" DOOR ASSY W/O LOGO *BK*	1	EA	Not available online / Call for pricing and availability



Item	Part No.	Name	Qty	Uom	NOTES
Not Shown	G32012724BKBR	30" DOOR ASSY W/O LOGO *BKBR*	1	EA	NO LONGER AVAILABLE
Not Shown	G32012724BT	30" DOOR ASSY W/O LOGO *BT*	1	EA	NO LONGER AVAILABLE, Not available online / Call for pricing and availability
Not Shown	G32012724BTBR	30" DOOR ASSY W/O LOGO *BTBR*	1	EA	NO LONGER AVAILABLE, Not available online / Call for pricing and availability
Not Shown	G32012724BU	30" DOOR ASSY W/O LOGO *BU*	1	EA	NO LONGER AVAILABLE
Not Shown	G32012724BUBR	30" DOOR ASSY W/O LOGO *BUBR*	1	EA	NO LONGER AVAILABLE, Not available online / Call for pricing and availability
Not Shown	G32012724CB	30" DOOR ASSY W/O LOGO *CB*	1	EA	NO LONGER AVAILABLE, Not available online / Call for pricing and availability
Not Shown	G32012724CBBR	30" DOOR ASSY W/O LOGO *CBBR*	1	EA	NO LONGER AVAILABLE, Not available online / Call for pricing and availability
Not Shown	G32012724EP	30" DOOR ASSY W/O LOGO *EP*	1	EA	NO LONGER AVAILABLE, Not available online / Call for pricing and availability
Not Shown	G32012724EPBR	30" DOOR ASSY W/O LOGO *EPBR*	1	EA	NO LONGER AVAILABLE, Not available online / Call for pricing and availability
Not Shown	G32012724FG	30" DOOR ASSY W/O LOGO *FG*	1	EA	NO LONGER AVAILABLE, Not available online / Call for pricing and availability
Not Shown	G32012724FGBR	30" DOOR ASSY W/O LOGO *FGBR*	1	EA	NO LONGER AVAILABLE, Not available online / Call for pricing and availability
Not Shown	G32012724GG	30" DOOR ASSY W/O LOGO *GG*	1	EA	NO LONGER AVAILABLE, Not available online / Call for pricing and availability



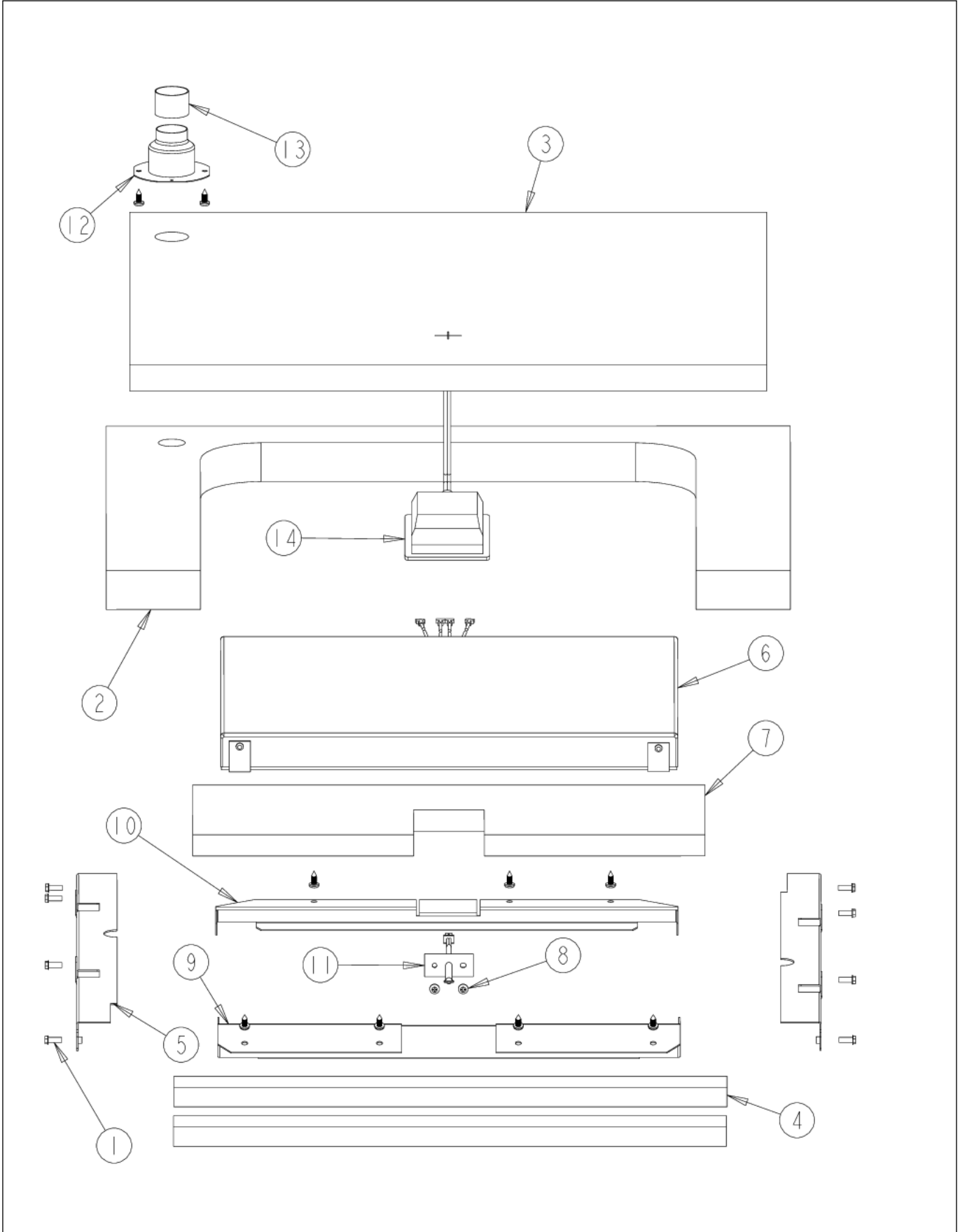
Item	Part No.	Name	Qty	Uom	NOTES
Not Shown	G32012724GGBR	30" DOOR ASSY W/O LOGO *GGBR*	1	EA	NO LONGER AVAILABLE, Not available online / Call for pricing and availability
Not Shown	G32012724LE	30" DOOR ASSY W/O LOGO *LE*	1	EA	
Not Shown	G32012724LEBR	30" DOOR ASSY W/O LOGO *LEBR*	1	EA	NO LONGER AVAILABLE, Not available online / Call for pricing and availability
Not Shown	G32012724MJ	30" DOOR ASSY W/O LOGO *MJ*	1	EA	NO LONGER AVAILABLE, Not available online / Call for pricing and availability
Not Shown	G32012724MJBR	30" DOOR ASSY W/O LOGO *MJBR*	1	EA	NO LONGER AVAILABLE, Not available online / Call for pricing and availability
Not Shown	G32012724SG	30" DOOR ASSY W/O LOGO *SG*	1	EA	NO LONGER AVAILABLE, Not available online / Call for pricing and availability
Not Shown	G32012724SGBR	30" DOOR ASSY W/O LOGO *SGBR*	1	EA	NO LONGER AVAILABLE, Not available online / Call for pricing and availability
Not Shown	G32012724SS	30" DOOR ASSY W/O LOGO	1	EA	
Not Shown	G32012724SSBR	COMPLETE DOOR ASSY. - SSBR	1	EA	
Not Shown	G32012724VB	30" DOOR ASSY W/O LOGO *VB*	1	EA	NO LONGER AVAILABLE, Not available online / Call for pricing and availability
Not Shown	G32012724VBBR	30" DOOR ASSY W/O LOGO *VBBR*	1	EA	NO LONGER AVAILABLE, Not available online / Call for pricing and availability
Not Shown	G32012724WH	30" DOOR ASSY W/O LOGO *WH*	1	EA	NO LONGER AVAILABLE, Not available online / Call for pricing and availability





Item	Part No.	Name	Qty	Uom	NOTES
Not Shown	G32012724WHBR	30" DOOR ASSY W/O LOGO *WHBR*	1	EA	NO LONGER AVAILABLE, Not available online / Call for pricing and availability
NI	017736-000	WINDOW PACK INSULATION KIT	1	EA	

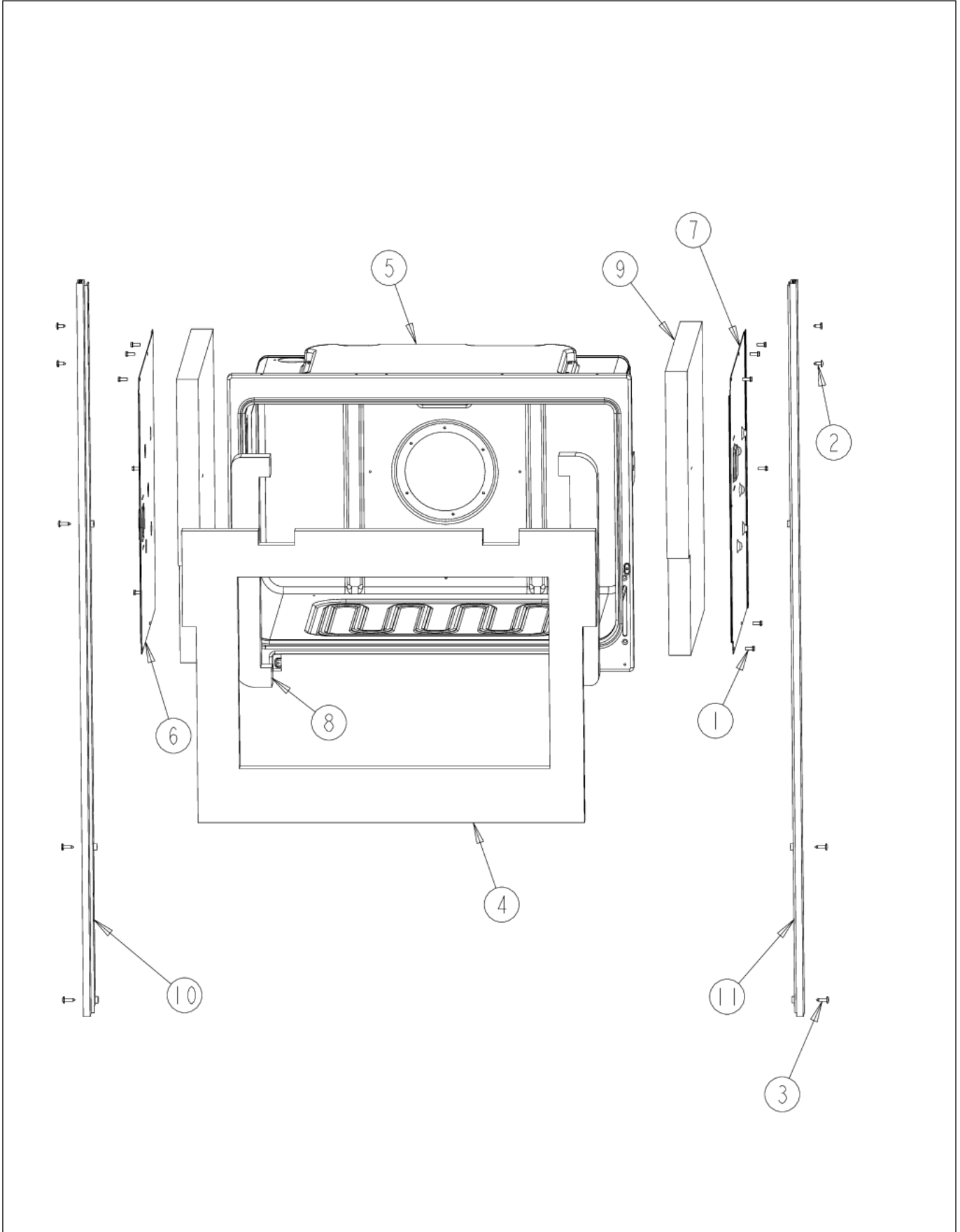
UPPER OVEN CAVITY





Item	Part No.	Name	Qty	Uom	NOTES
1	PD020060	10 X 1/2" (5/16)HEX WSHER HD.(T)A	1	EA	
2	PB070305	Top Broil Insulation	1	EA	Not available online / Call for pricing and availability
3	PB070308	Top Insulation	1	EA	
4	PB070269	30" WINDOW PACK INSULATION	1	EA	
5	A2009641	BRKT, TOP WRAPPER	1	EA	
6	024040-000	SEALED BROIL ELEMENT W/GLASS	1	EA	
7	PB070337	Liner Insulation	1	EA	
8	PD020055	#10 X 1/2" PAN PHIL. TEK. SS	1	EA	
9	024234-000	PREMIERE BROIL ELEMENT BRACKET FRONT	1	EA	
10	024221-000	BROIL ELEMENT BRACKET REAR	1	EA	
11	PE050206	RTD THERMOSTAT PROBE	1	EA	
12	PM010014	SMOKE ELIMINATOR (VDSC)	1	EA	
13	PB020275	VENT TUBE	1	EA	
14	PE050205	Top Halogen Light	1	EA	
Not Shown	NOTE	(BEFORE C-0396)		EA	
PE05023 9	020403-000	BJB SLIMLINE 40W BULB	1	EA	
Not Shown	NOTE	(AFTER C-0396)		EA	

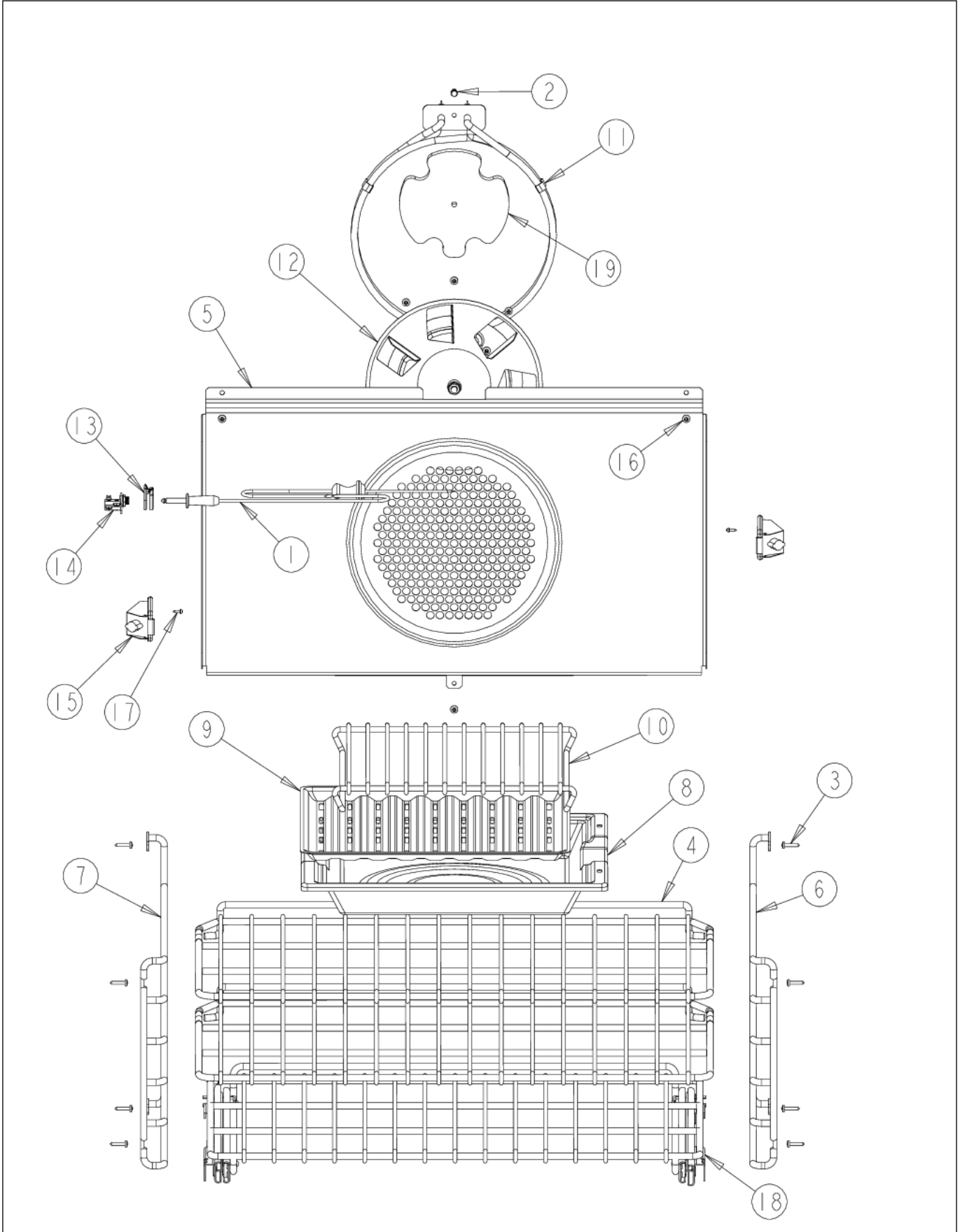
UPPER OVEN EXTERIOR CAVITY





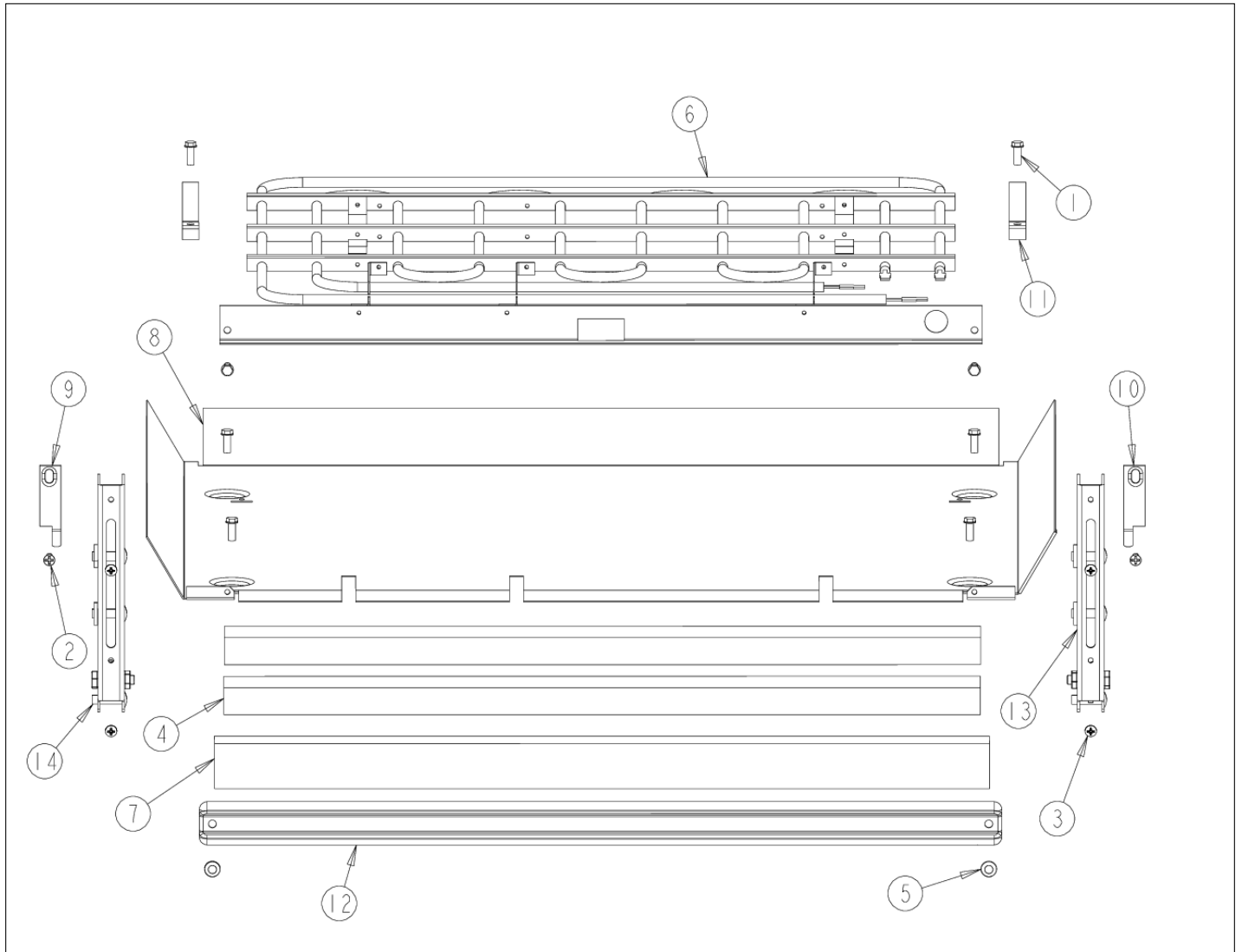
Item	Part No.	Name	Qty	Uom	NOTES
1	PD020060	10 X 1/2" (5/16)HEX WSHER HD.(T)A	1	EA	
2	PD020002	10 X 1/2 PH TR HD SMS	1	EA	
3	PD020014	10X3/4 PH TR HD SMS	1	EA	
4	PB070272	30" DOOR INSULATION	1	EA	
5	G91014039	30" PREMIERE CAVITY ASSY	1	EA	
6	A20012650	BRKT, TOP WRAPPER LEFT	1	EA	Not available online / Call for pricing and availability
7	A2009622	BRKT, TOP WRAPPER, RIGHT	1	EA	Not available online / Call for pricing and availability
8	PB070271	DOOR PLUG INSULATION	1	EA	
9	PB070302	SIDE INSULATION	1	EA	
10	PE040278	PROF. DOUBLE SIDE TRIM LH	1	EA	
11	PE040277	PROF. DOUBLE SIDE TRIM RH	1	EA	

UPPER OVEN INTERIOR CAVITY



Item	Part No.	Name	Qty	Uom	NOTES
1	PE050114	MEAT PROBE (DESO/DEDO) (SWITCHCRAFT'S PART # 4C7919)	1	EA	
2	PD020060	10 X 1/2" (5/16)HEX WSHER HD.(T)A	1	EA	
3	PD020232	NO.8 X 3/4 PH PAN HEAD TEK SCREW (BLACK OXIDE)	1	EA	
4	PB060107	30" OVEN RACK	1	EA	
5	G91013598	30" BAFFLE ASSEMBLY	1	EA	
6	PB060103	RACK SUPPORT RH	1	EA	
7	PB060104	RACK SUPPORT LH	1	EA	
8	E9107933	BROILER PAN	1	EA	
9	E9107934	BROILER PAN INSERT - NLA	1	EA	
10	PB080020	BROILER PAN RACK	1	EA	
11	PJ010047	CONVECTION ELEMENT	1	EA	
12	G32014020	CONVECTION FAN ASSY	1	EA	
13	PM010160	MEAT PROBE JACK COVER	1	EA	
14	PE050115	MEAT PROBE JACK	1	EA	
Comments for Part Num. PE050115 bradleysapplianceservice@shaw.ca on May 8, 2017 Meat probe is not illustrated on Parts Break Down. PE050114 MEAT PROBE					
15	PE050056	OVEN LIGHT ASSY 12V/5W	1	EA	
Not Shown	NOTE	(BEFORE SERIAL # C-0396)		EA	
PE05023 8	005311-000	LAMP, OVEN, 120V/25W	1	EA	
Not Shown	NOTE	(AFTER SERIAL # C-0396)		EA	
16	PD020055	#10 X 1/2" PAN PHIL. TEK. SS	1	EA	
17	PD020013	TYPE "AB" #6 X 3/8 PH PAN HD. SMS	1	EA	
18	024102-000	PULLOUT RACK, 30"	1	EA	
19	PB070312	CONVECTION MOTOR MTG. PLATE INSULATION	1	EA	

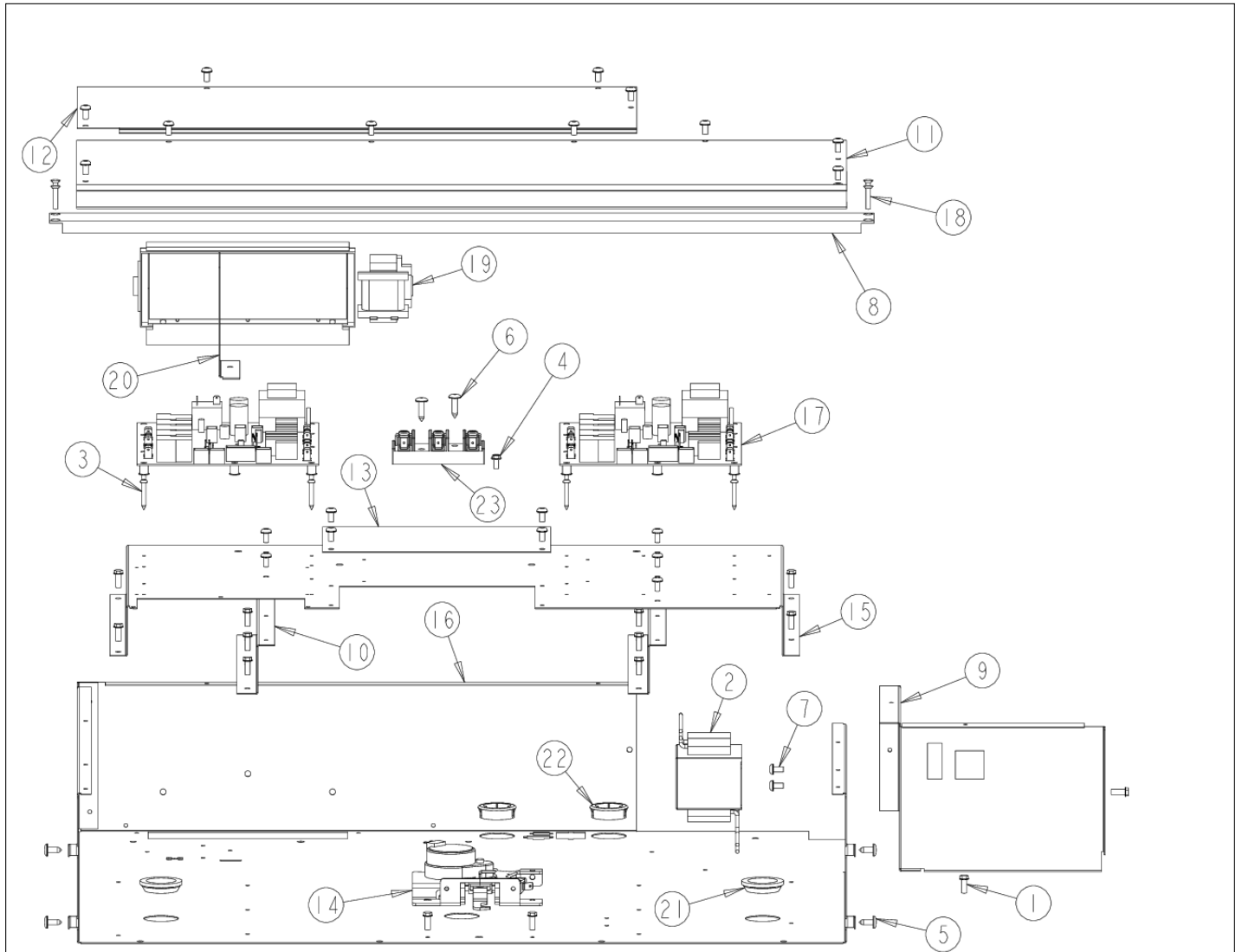
UPPER OVEN LOWER AREA





Item	Part No.	Name	Qty	Uom	NOTES
1	PD020060	10 X 1/2" (5/16)HEX WSHER HD.(T)A	1	EA	
2	PD020061	SCREW	1	EA	
3	PD020062	#8-32 X 3/8 PHMS TYPE 1	1	EA	
4	PB070269	30" WINDOW PACK INSULATION	1	EA	
5	PD020063	SCREW-#8(A) X 3/8"PH WFR HD/BK OXID	1	EA	
6	PJ010048	BAKE ELEMENT	1	EA	
7	PB070309	BAKE ELEMENT INSULATION	1	EA	
8	A2009612	ELEMENT, MTG TRAY	1	EA	
9	B21010916	LH HINGE CLIP	1	EA	
10	B21010915	RH HINGE CLIP	1	EA	
11	A2009696	HOLDER, BAKE ELEMENT	1	EA	
12	E9109655	COVER, BAKE TRAY	1	EA	
13	PC020221	HINGE POCKET RECEIVER MANSFIELD RH	1	EA	
14	PC020247	HINGE POCKET RECEIVER MANSFIELD LH	1	EA	

UPPER UNIT AFTER 07-20-06

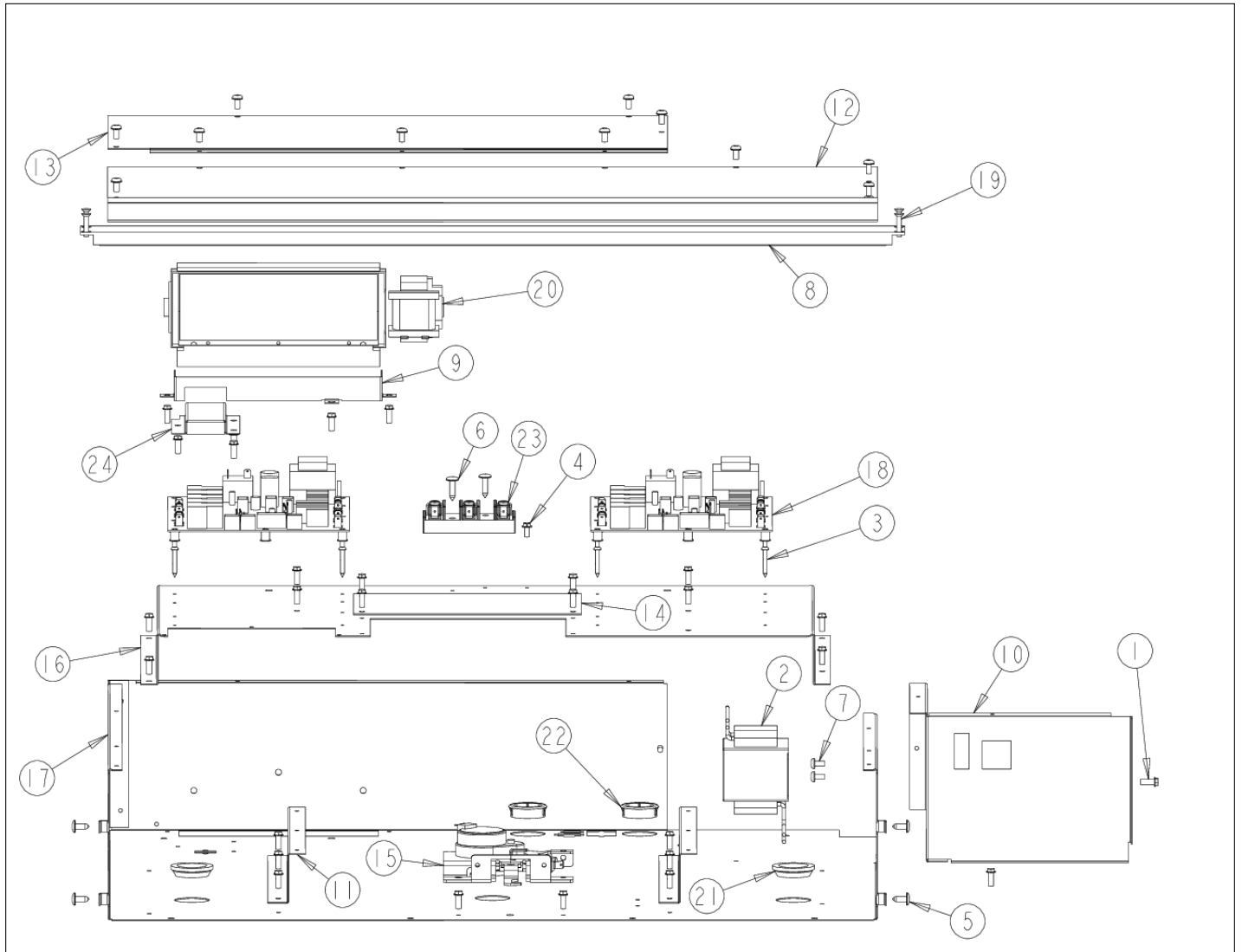




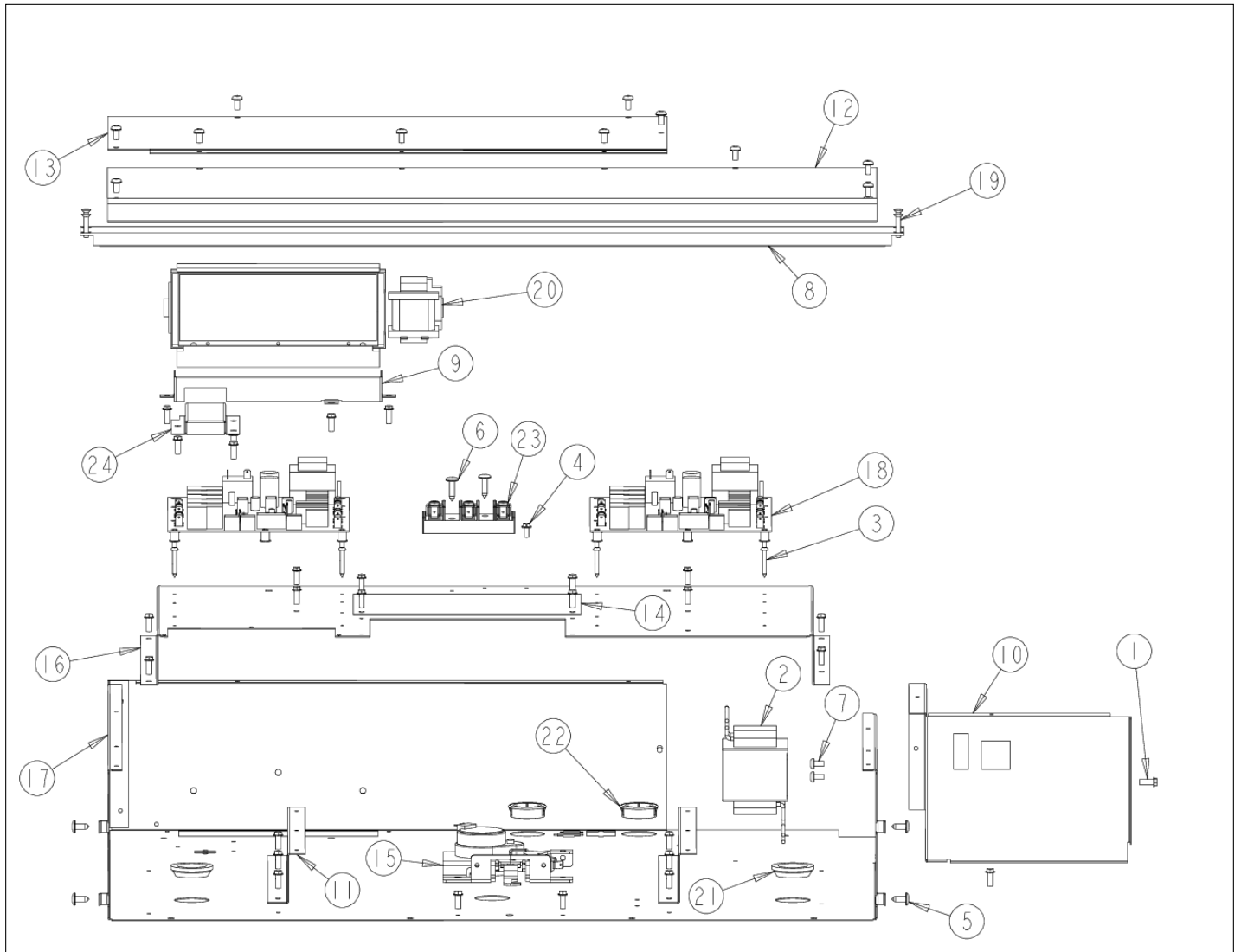
Item	Part No.	Name	Qty	Uom	NOTES
1	PD020060	10 X 1/2" (5/16)HEX WSHER HD.(T)A		EA	
2	PE070634	HALOGEN LIGHT TRANSFORMER		EA	NO LONGER AVAILABLE
Not Shown	NOTE	(Used only on units before serial # C-0396)		EA	
3	PD020185	Screw, 6 X 1" Pan Head		EA	
4	PD020010	10 X 3/8 GREEN GROUNDING SCREW		EA	
5	PD020002	10 X 1/2 PH TR HD SMS		EA	
6	PD020014	10X3/4 PH TR HD SMS		EA	
7	PD020004	10X3/8PH.HD.TYPE 25 REPL PD040125		EA	
8	PE040273	30" PROF. TOP TRIM		EA	
9	A20010934	BRACKET, MODULE PAN		EA	
10	A20010910	BRACKET, SUPPORT, ELECTRONICS HAT		EA	
11	A20014048	Front Cover		EA	NO LONGER AVAILABLE, Not available online / Call for pricing and availability
12	A20014049	30" REAR COVER		EA	
13	A10010911	Latch Cover		EA	
14	013250-000	LATCH,DOOR,ASM,240V,GRID DLE LOCKOUT		EA	
15	A2009672	Electronics Hat		EA	NO LONGER AVAILABLE, Not available online / Call for pricing and availability
16	A2009643	MODULE PAN, TOP 30"		EA	
17	002406-000	CONTROL BOARD		EA	
Comments for Part Num. 002406-000					
haarnink@vikingrange.com on Jun 18, 2015					
For the international E Model numbers EVDSC5 we need to add the info that sins First unit was EVDSC530S4B: 092314C10147281 any EVDSC built in 2014 went into production with EOC4. so here we need to add the part number 014000-000 EOC4 plus the SMPS part number 013999-000					
18	PD020170	Screw, 6 X 1 Pan Hd		EA	
19	PE050250	Blower		EA	

Item	Part No.	Name	Qty	Uom	NOTES
<p>Comments for Part Num. PE050250</p> <p>highendappsvc@gmail.com on Jan 28, 2019</p> <p>If you need to replace cooling fan for the model vgsc5486gss serial date code 031412, do not order this fan, this fan is larger and configured wrong. The correct fan is 007794-000. it is smaller.</p>					
Not Shown	NOTE	(BEFORE 02/04/13)		EA	
19	018607-000	FAN, BLO, 220-240V 50/60 HZ ASM		EA	
Not Shown	NOTE	(ON OR AFTER 02/04/13)		EA	
20	A2009667	REAR AIR DIVIDER		EA	
21	PB070079	SILICONE EXTRUSION (DGSU)		EA	
22	PD040152	SNAP BUSHING		EA	
23	PE070147	TERMINAL BLOCK (VDSC)		EA	

UPPER UNIT BEFORE 07-20-06



Item	Part No.	Name	Qty	Uom	NOTES
1	PD020060	10 X 1/2" (5/16)HEX WSHER HD.(T)A	1	EA	
2	PE070634	HALOGEN LIGHT TRANSFORMER	1	EA	NO LONGER AVAILABLE
3	PD020185	Screw, 6 X 1" Pan Head	1	EA	
4	PD020010	10 X 3/8 GREEN GROUNDING SCREW	1	EA	
5	PD020002	10 X 1/2 PH TR HD SMS	1	EA	
6	PD020014	10X3/4 PH TR HD SMS	1	EA	
7	PD020004	10X3/8PH.HD.TYPE 25 REPL PD040125	1	EA	
8	PE040273	30" PROF. TOP TRIM	1	EA	
9	A20014034	30" BLOWER BRACKET	1	EA	NO LONGER AVAILABLE
10	A20010934	BRACKET, MODULE PAN	1	EA	
11	A20010910	BRACKET, SUPPORT, ELECTRONICS HAT	1	EA	
12	A20014048	Front Cover	1	EA	NO LONGER AVAILABLE, Not available online / Call for pricing and availability
13	A20014049	30" REAR COVER	1	EA	
14	A10010911	Latch Cover	1	EA	
15	013250-000	LATCH,DOOR,ASM,240V,GRID DLE LOCKOUT	1	EA	
16	A2009672	Electronics Hat	1	EA	NO LONGER AVAILABLE, Not available online / Call for pricing and availability
17	A2009643	MODULE PAN, TOP 30"	1	EA	
18	002406-000	CONTROL BOARD	1	EA	
Comments for Part Num. 002406-000 haarnink@vikingrange.com on Jun 18, 2015 For the international E Model numbers EVDSC5 we need to add the info that sins First unit was EVDSC530S4B: 092314C10147281 any EVDSC built in 2014 went into production with EOC4. so here we need to add the part number 014000-000 EOC4 plus the SMPS part number 013999-000					
19	PD020170	Screw, 6 X 1 Pan Hd	1	EA	
20	PE050250	Blower	1	EA	



Item	Part No.	Name	Qty	Uom	NOTES
<p>Comments for Part Num. PE050250</p> <p>highendappsvc@gmail.com on Jan 28, 2019</p> <p>If you need to replace cooling fan for the model vgs5486gss serial date code 031412, do not order this fan, this fan is larger and configured wrong. The correct fan is 007794-000. it is smaller.</p>					
21	PB070079	SILICONE EXTRUSION (DGSU)	1	EA	
22	PD040152	SNAP BUSHING	1	EA	
23	PE070147	TERMINAL BLOCK (VDSC)	1	EA	
24	A20014033	UPPER VENT COVER	1	EA	NO LONGER AVAILABLE, Not available online / Call for pricing and availability



Appendix A:Pages Index

CONTROL AREA 1
LOWER CONTROL HARNESS 2
LOWER DOOR 3
LOWER LATCH HARNESS 4
LOWER OVEN EXTERIOR CAVITY 5
LOWER OVEN INTERIOR CAVITY 6
LOWER OVEN LOWER AREA 7
MIDDLE UNIT AREA 8
REAR UNIT 9
SIMPLE HARNESSES 1 10
SIMPLE HARNESSES 2 11
UPPER CONTROL HARNESS 12
UPPER DOOR 13
UPPER OVEN CAVITY 14
UPPER OVEN EXTERIOR CAVITY 15
UPPER OVEN INTERIOR CAVITY 16
UPPER OVEN LOWER AREA 17
UPPER UNIT AFTER 07-20-06 18
UPPER UNIT BEFORE 07-20-06 19



Appendix B:Parts Index

000268-000	3, 13	A2009632	3, 13
000594-000	3, 13	A2009641	14
001097-000	6	A2009643	18, 19
001499-000	3, 13	A2009659	8
001500-000	3, 13	A2009660	8
002406-000	18, 19	A2009661	8
005311-000	6, 16	A2009667	18
006070-000	3, 13	A2009671	9
013250-000	8, 18, 19	A2009672	18, 19
017736-000	3, 13	A2009682	8
018607-000	8, 18	A2009683	9
020403-000	14	A2009684	9
024040-000	14	A2009696	7, 17
024102-000	6, 16	A2009697	9
024221-000	14	A2009699	9
024234-000	14	A21010918	9
036047-000	1	A21010919	9
050172-000	1	B21010915	7, 17
A10010907	8, 9	B21010916	7, 17
A10010911	18, 19	B92014071	1
A10014027	1	C90012831BK	7
A1002456	8	C90014072BK	1
A20010910	18, 19	C9009680BK	8
A20010934	18, 19	C92014071BK	1
A20012640	3, 13	C92014071WH	1
A20012641	3, 13	E91014053	5
A20012649	1, 8	E9107933	16
A20012650	5, 15	E9107934	16
A20014033	19	E9109655	7, 17
A20014034	19	G3009694	7
A20014036	8	G32012723AL	3
A20014048	18, 19	G32012723ALBR	3
A20014049	18, 19	G32012723BK	3
A20014052	9	G32012723BKBR	3
A20014062	1	G32012723BT	3
A20014063	1	G32012723BTBR	3
A20014089	8	G32012723BU	3
A2009612	7, 17	G32012723BUBR	3
A2009620	9	G32012723CB	3
A2009622	5, 15	G32012723CBBR	3
		G32012723EP	3



G32012723EPBR	3	G32012724VB	13
G32012723FG	3	G32012724VBBR	13
G32012723FGBR	3	G32012724WH	13
G32012723GG	3	G32012724WHBR	13
G32012723GGBR	3	G32014020	6, 16
G32012723LE	3	G40015469	1
G32012723LEBR	3	G4005494	10
G32012723MJ	3	G4005496	10
G32012723MJBR	3	G4005497	10
G32012723SG	3	G4005499	10
G32012723SGBR	3	G50015481	1
G32012723SS	3	G91013598	6, 16
G32012723SSBR	3	G91014039	5, 15
G32012723VB	3	G9109625	3, 13
G32012723VBBR	3	PB010304PVD	1
G32012723WH	3	PB010305	1
G32012723WHBR	3	PB010306	1
G32012724AL	13	PB010307	1
G32012724ALBR	13	PB010308	1
G32012724BK	13	PB010309	1
G32012724BKBR	13	PB010310	1
G32012724BT	13	PB010311	1
G32012724BTBR	13	PB010312	1
G32012724BU	13	PB020071	9
G32012724BUBR	13	PB020275	14
G32012724CB	13	PB040070	9
G32012724CBBR	13	PB060103	6, 16
G32012724EP	13	PB060104	6, 16
G32012724EPBR	13	PB060107	6, 16
G32012724FG	13	PB070079	8, 18, 19
G32012724FGBR	13	PB070246	3, 13
G32012724GG	13	PB070269	3, 7, 13, 14, 17
G32012724GGBR	13	PB070271	3, 5, 13, 15
G32012724LE	13	PB070272	3, 5, 13, 15
G32012724LEBR	13	PB070302	5, 15
G32012724MJ	13	PB070303	7
G32012724MJBR	13	PB070304	9
G32012724SG	13	PB070305	14
G32012724SGBR	13	PB070308	14
G32012724SS	13	PB070309	7, 17
G32012724SSBR	13	PB070312	6, 16



PB070321	8	PE050072	1
PB070336	3, 13	PE050114	16
PB070337	14	PE050115	16
PB080020	16	PE050205	14
PC020221	7, 17	PE050206	14
PC0202247	7	PE050208	1, 8
PC020247	17	PE050214	1
PD020002	3, 13, 15, 18, 19	PE050250	8, 18, 19
PD020004	1, 3, 8, 13, 18, 19	PE060094	3, 13
PD020010	18, 19	PE070147	18, 19
PD020013	1, 6, 8, 16	PE070634	18, 19
PD020014	15, 18, 19	PE070733	10
PD020032	3, 13	PE070735	11
PD020055	6, 14, 16	PE070736	2
PD020060	1, 5, 6, 7, 8, 9, 14, 15, 16, 17, 18, 19	PE070738	10
PD020061	7, 17	PE070739	10
PD020062	7, 17	PE070740	4
PD020063	3, 7, 8, 13, 17	PE070741	11
PD020170	7, 18, 19	PE070742	12
PD020185	18, 19	PE070744	11
PD020186	3, 13	PJ010047	6, 16
PD020232	6, 16	PJ010048	7, 17
PD020261	1	PJ030033	1
PD030006	3	PJ030035	1
PD030172	1	PJ030039	8
PD040004	1, 8	PJ030043	1
PD040152	18, 19	PM010014	14
PD040164	1	PM010160	16
PE010016	3	PS500015AL	3
PE010017	3	PS500015ALBR	3
PE010079	3	PS500015BK	3
PE010080	3	PS500015BKBR	3
PE030001PVD	3, 13	PS500015BT	3
PE030179	3, 13	PS500015BTBR	3
PE030179PVD	3, 13	PS500015BU	3
PE040273	18, 19	PS500015BUBR	3
PE040274	7	PS500015CB	3
PE040277	15	PS500015CBBR	3
PE040278	15	PS500015EP	3
PE050023	1	PS500015EPBR	3
PE050056	6, 16	PS500015FG	3



PS500015FGBR	3	PS500017WH	13
PS500015GG	3	PS500017WHBR	13
PS500015GGBR	3	PS500019AL	3
PS500015LE	3	PS500019ALBR	3
PS500015LEBR	3	PS500019BK	3
PS500015MJ	3	PS500019BKBR	3
PS500015MJBR	3	PS500019BT	3
PS500015SG	3	PS500019BTBR	3
PS500015SGBR	3	PS500019BU	3
PS500015SS	3	PS500019BUBR	3
PS500015SSBR	3	PS500019CB	3
PS500015VB	3	PS500019CBBR	3
PS500015VBBR	3	PS500019EP	3
PS500015WH	3	PS500019EPBR	3
PS500015WHBR	3	PS500019FG	3
PS500017AL	13	PS500019FGBR	3
PS500017ALBR	13	PS500019GG	3
PS500017BK	13	PS500019GGBR	3
PS500017BKBR	13	PS500019LE	3
PS500017BT	13	PS500019LEBR	3
PS500017BTBR	13	PS500019MJ	3
PS500017BU	13	PS500019MJBR	3
PS500017BUBR	13	PS500019SG	3
PS500017CB	13	PS500019SGBR	3
PS500017CBBR	13	PS500019SS	3
PS500017EP	13	PS500019SSBR	3
PS500017EPBR	13	PS500019VB	3
PS500017FG	13	PS500019VBBR	3
PS500017FGBR	13	PS500019WH	3
PS500017GG	13	PS500019WHBR	3
PS500017GGBR	13	PS500021AL	13
PS500017LE	13	PS500021ALBR	13
PS500017LEBR	13	PS500021BK	13
PS500017MJ	13	PS500021BKBR	13
PS500017MJBR	13	PS500021BT	13
PS500017SG	13	PS500021BTBR	13
PS500017SGBR	13	PS500021BU	13
PS500017SS	13	PS500021BUBR	13
PS500017SSBR	13	PS500021CB	13
PS500017VB	13	PS500021CBBR	13
PS500017VBBR	13	PS500021EP	13



PS500021EPBR 13
PS500021FG 13
PS500021FGBR 13
PS500021GG 13
PS500021GGBR 13
PS500021LE 13
PS500021LEBR 13
PS500021MJ 13
PS500021MJBR 13
PS500021SG 13
PS500021SGBR 13
PS500021SS 13
PS500021SSBR 13
PS500021VB 13
PS500021VBBR 13
PS500021WH 13
PS500021WHBR 13