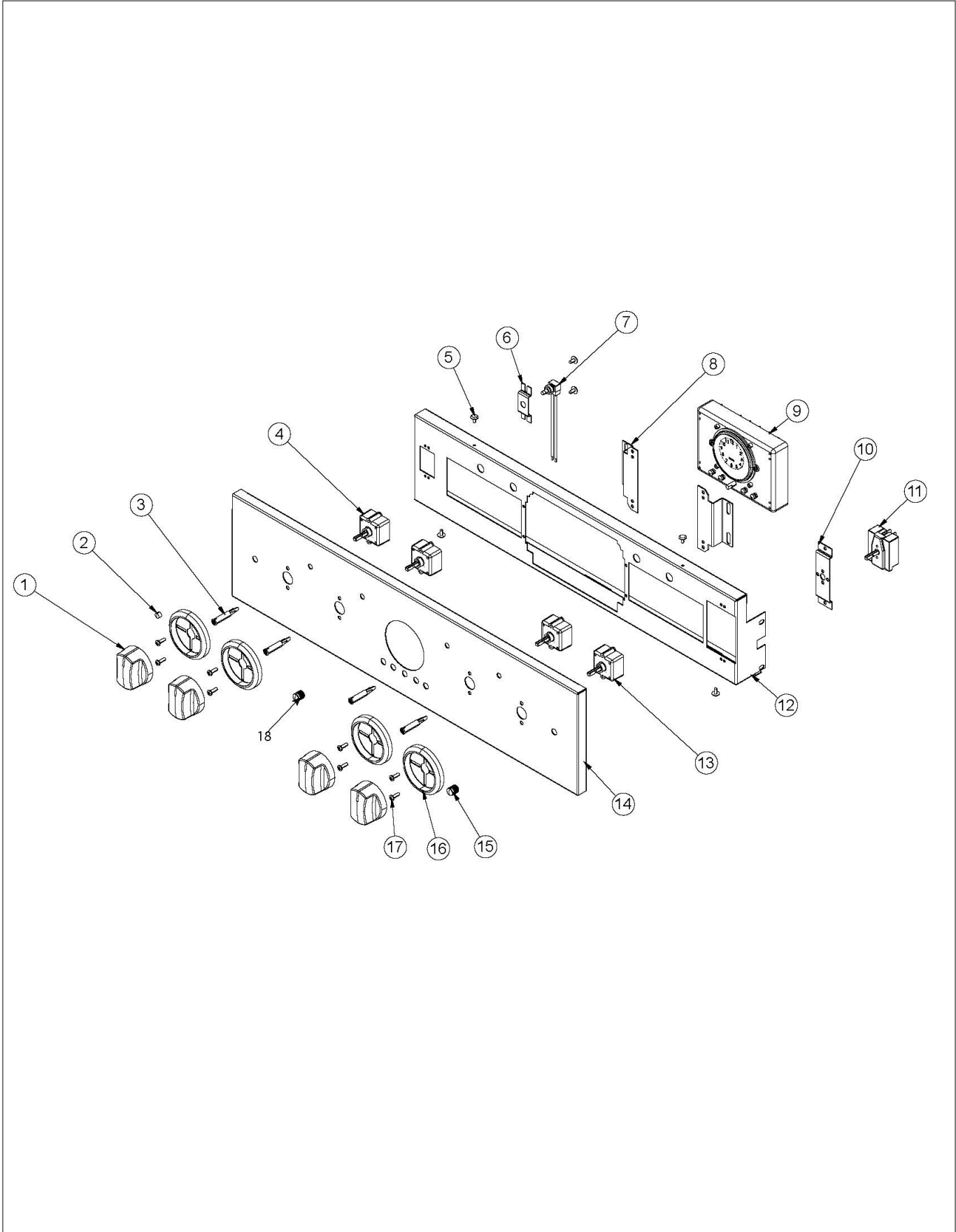


VEDO5272

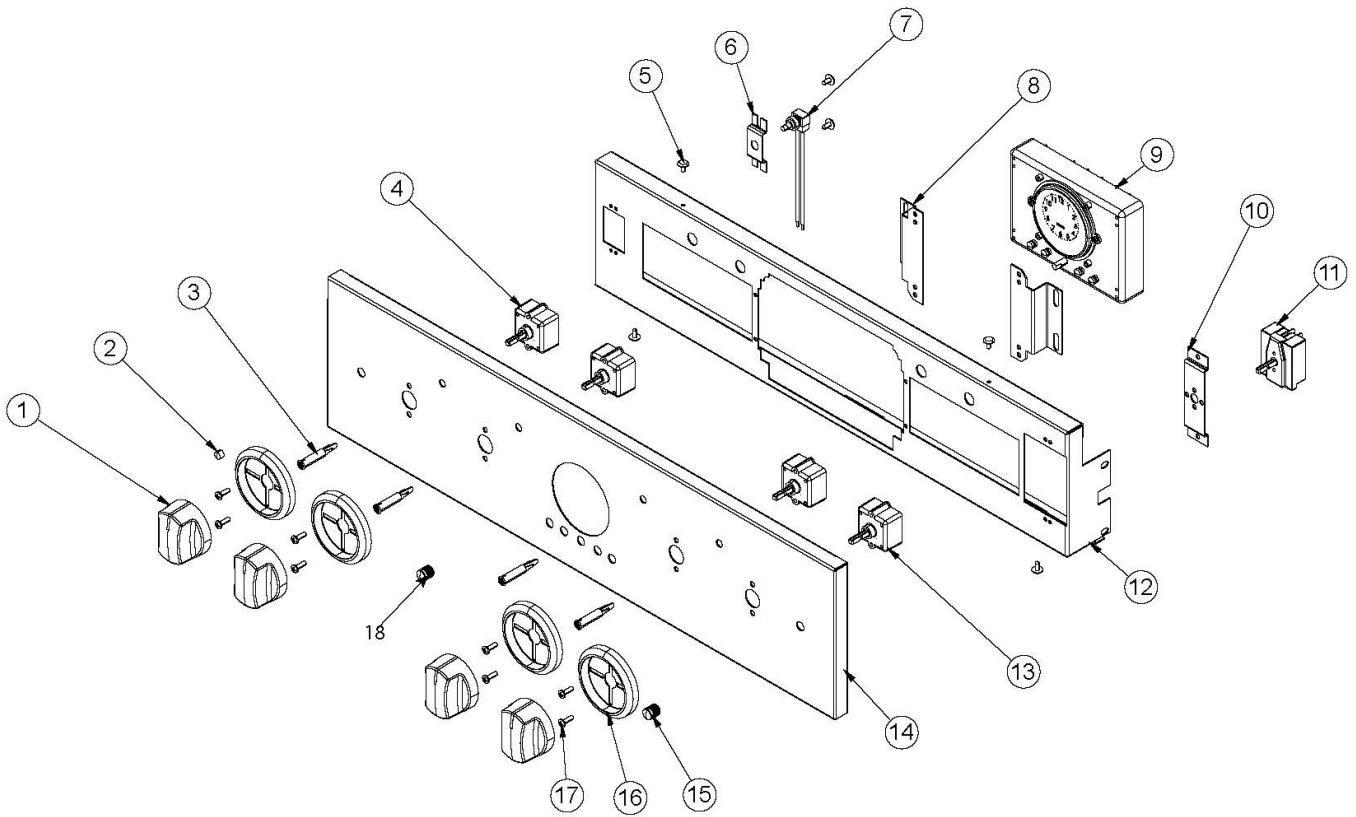
CONTROL AREA	1
LOWER OVEN CAVITY	2
LOWER UNIT AND SIDE TRIM	3
VEDO5272 Lower Door before 12/20/2012	4
VEDO5272 Lower Door after 12/20/2012	5
MIDDLE EXTERIOR AREA	6
UPPER EXTERIOR AREA	7
UPPER OVEN CAVITY	8
VEDO5272 Upper Door before 12/20/2012	9
VEDO5272 Upper Door after 12/20/2012	10
WIRING	11
Appendix A:Pages Index	A
Appendix B:Parts Index	B

CONTROL AREA





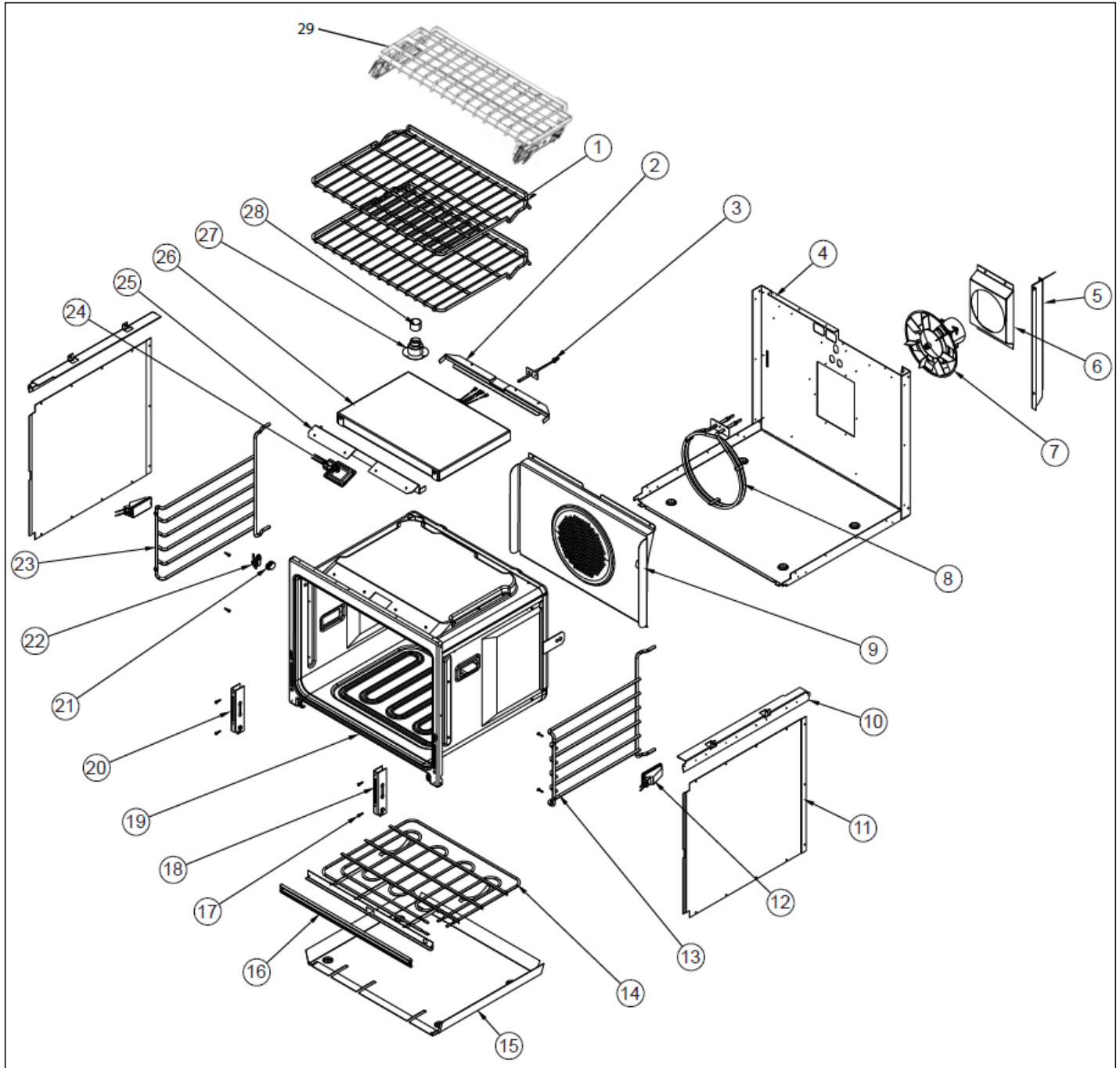
Item	Part No.	Name	Qty	Uom	NOTES
1	015662-000	KNOB, OVEN ASM, SS	4	EA	
Comments for Part Num. 015662-000					
tom@gerhardsappliance.com on Nov 15, 2016					
Sub to 036330-000 for silver colored SS knobs, listed part has a bronze shade.					
Not Shown	NOTE	(BEFORE 12/20/12)		EA	
1	036330-000	KNOB, WO PRO CR3	4	EA	
Not Shown	NOTE	(ON OR AFTER 12/20/12)		EA	
2	PA010093	DESIGNER OVEN LT SWITCH KNOB	1	EA	
3	015043-000	INDICATOR, LIGHT, BLUE LED	4	EA	
4	PJ030033	SELECTOR (10 POS)	2	EA	
5	PD020032	SRW-8(A)X3/8"PH.WFR HD 7/16DIA*NICL	6	EA	
6	024810-000	BRACKET, LIGHT SW	1	EA	
Not Shown	NOTE	(BEFORE 09/19/13)		EA	
6	036576-000	LIGHT SWITCH HOLDER W/DOUBLE SIDED TAPE	1	EA	
Not Shown	NOTE	(ON OR AFTER 09/19/13)		EA	
7	G40015469	DESIGNER OVEN LIGHT SWITCH	1	EA	
8	025100-000	BRACKET, CLOCK, TKJ	2	EA	
9	PE050140	ANALOG CLOCK 220V 50/60H	1	EA	
10	025142-000	BRACKET, SEL, SINGLE	1	EA	
11	PJ030036	3 POSITION SELECTOR SWITCH	1	EA	
12	025185-000	PANEL, CONTROL MOUNTING	1	EA	
13	PJ030035	THERMOSTAT	2	EA	





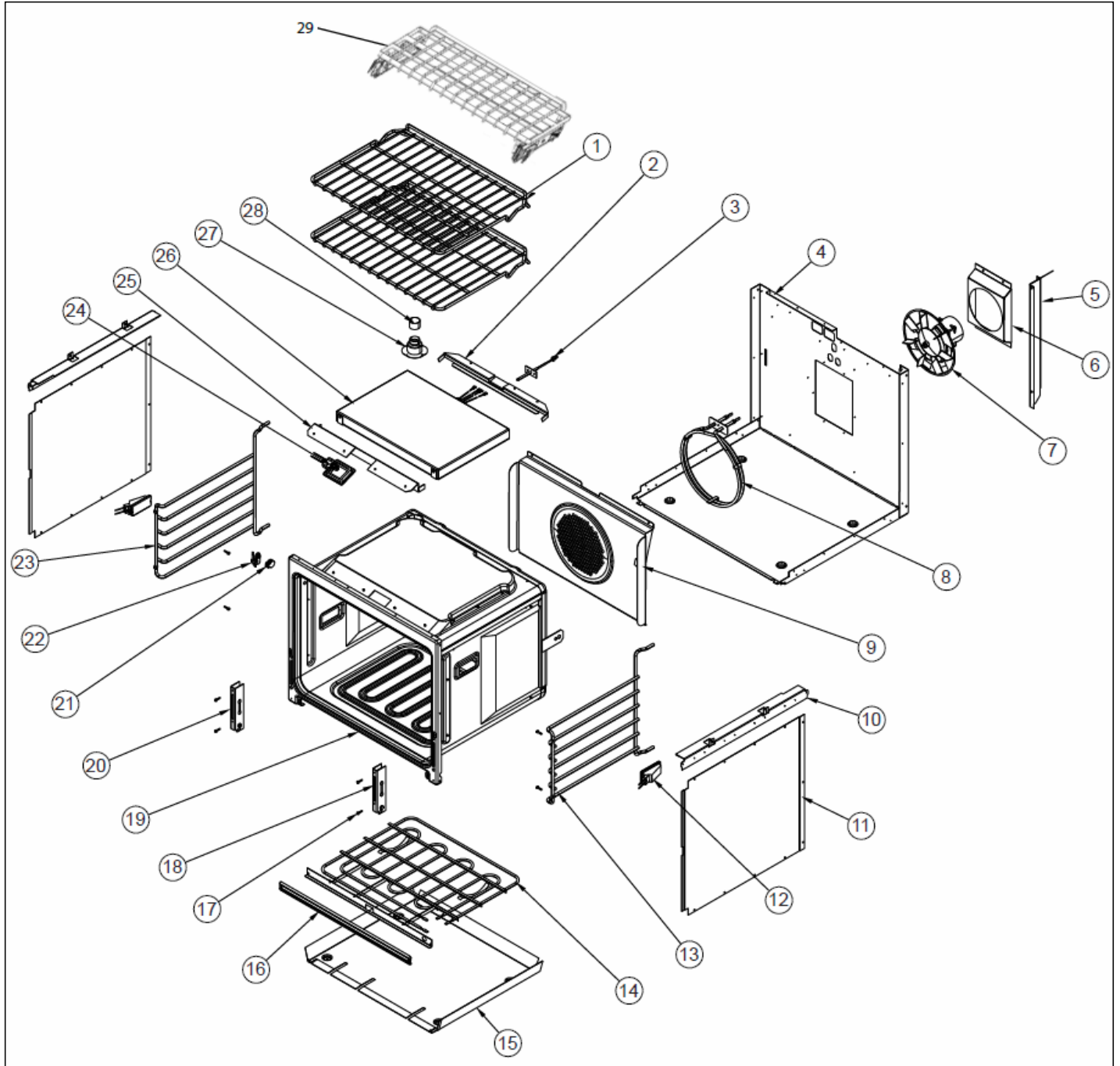
Item	Part No.	Name	Qty	Uom	NOTES
Comments for Part Num. PJ030035					
parts@lvdistributes.com on Feb 7, 2018 this is not the correct part for this range it should be a 003225-000 Reply by JREXEC02@AOL.COM on Feb 27, 2018 003225-000 is an Induction Control.					
PJ030035 is the red colored thermostat for the Gas Range *****					
14	025197-2299	27" DBL SELECT CTRL PANEL W/GRAPHICS	1	EA	
Not Shown	NOTE	(BEFORE 05/16/12)		EA	
14	035981-2299	PNL, CTRL, ASM W/GRAPHICS, PREMIER, 27" DLB	1	EA	
Not Shown	NOTE	(ON OR AFTER 05/16/12)		EA	
Not Shown	NOTE	MUST ORDER ITEM #6 WITH PANEL		EA	
15	PA010192	DES. MANUAL TIME KNOB	1	EA	
Not Shown	NOTE	(BEFORE 12/20/12)		EA	
15	036457-000	KNOB, OVN, SEL, DES CR3	1	EA	
Not Shown	NOTE	(ON OR AFTER 12/20/12)		EA	
16	050172-000	KNOB BEZEL	4	EA	
16	PB010304PVD	RESTYLE KNOB BEZEL, BR	4	EA	
17	PD020261	#8-32X1/2" PH PANHEAD MACH. SCREW	8	EA	
18	PB010313	DESIGNER BIT GENERATOR KNOB	1	EA	
Not Shown	NOTE	(BEFORE 12/20/12)		EA	
18	036441-000	KNOB BIT GEN CR3	1	EA	
Not Shown	NOTE	(ON OR AFTER 12/20/12)		EA	

LOWER OVEN CAVITY





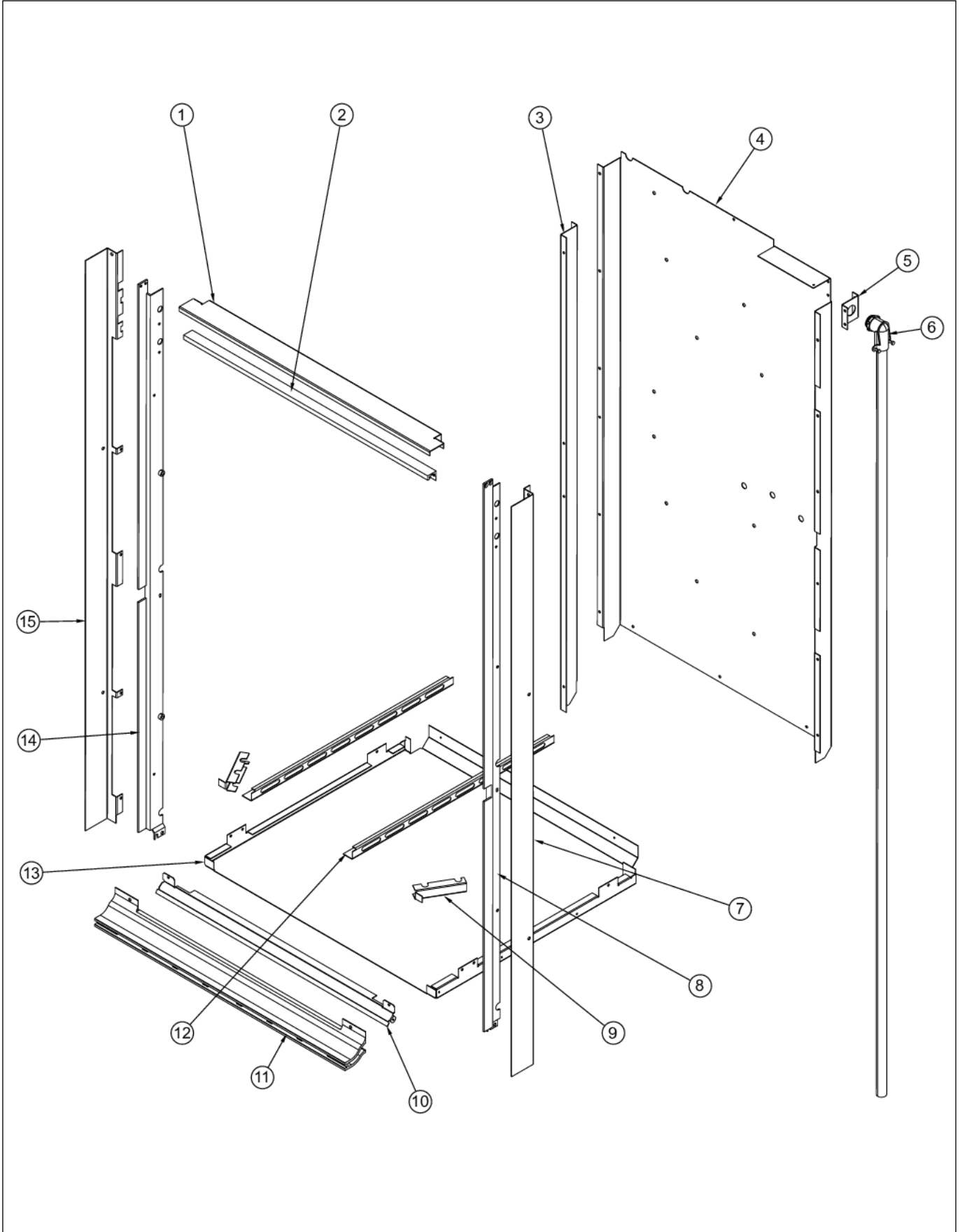
Item	Part No.	Name	Qty	Uom	NOTES
1	041045-000	27" OVEN RACK	2	EA	
2	024221-000	BROIL ELEMENT BRACKET REAR	1	EA	
3	PE050206	RTD THERMOSTAT PROBE	1	EA	
4	UNSERVICEABLE	BASE, BACK WRAPPER, 27"	1	EA	
5	A20012809	REAR AIR DIVIDER, DBL, LOWER OVEN	1	EA	
6	A2009697	BRACKET, CONVECTION INSULATION	1	EA	
7	G32014020	CONVECTION FAN ASSY	1	EA	
8	PJ010047	CONVECTION ELEMENT	1	EA	
9	G91013597	27" BAFFLE ASSEMBLY	1	EA	
10	A2009641	BRKT, TOP WRAPPER	2	EA	
11	014137-000	WRAPPER, OVEN SIDE	2	EA	
12	005311-000	LAMP, OVEN, 120V/25W	2	EA	
13	066478-402	SUPPORT, RACK ASM, RH BLACK	1	EA	
14	PJ010048	BAKE ELEMENT	1	EA	
15	A20010932	ELEMENT, MTG TRAY	1	EA	
16	E9109655	COVER, BAKE TRAY	1	EA	
17	PD020232	NO.8 X 3/4 PH PAN HEAD TEK SCREW (BLACK OXIDE)	8	EA	
18	PC020221	HINGE POCKET RECEIVER MANSFIELD RH	1	EA	
19	UNSERVICEABLE	27" PREMIERE CAVITY ASSY	1	EA	
20	PC020247	HINGE POCKET RECEIVER MANSFIELD LH	1	EA	
21	PM010160	MEAT PROBE JACK COVER	1	EA	
22	PE050115	MEAT PROBE JACK	1	EA	
<p>Comments for Part Num. PE050115</p> <p>bradleysapplianceservice@shaw.ca on May 8, 2017 Meat probe is not illustrated on Parts Break Down. PE050114 MEAT PROBE</p>					
23	066479-402	SUPPORT, RACK ASM, LH BLACK	1	EA	
24	020403-000	BJB SLIMLINE 40W BULB	1	EA	





Item	Part No.	Name	Qty	Uom	NOTES
25	024234-000	PREMIERE BROIL ELEMENT BRACKET FRONT	1	EA	
26	024040-000	SEALED BROIL ELEMENT W/GLASS	1	EA	
27	PM010014	SMOKE ELIMINATOR (VDSC)	1	EA	
28	PB020275	VENT TUBE	1	EA	
29	024737-000	27" SLIDING OVEN RACK	1	EA	

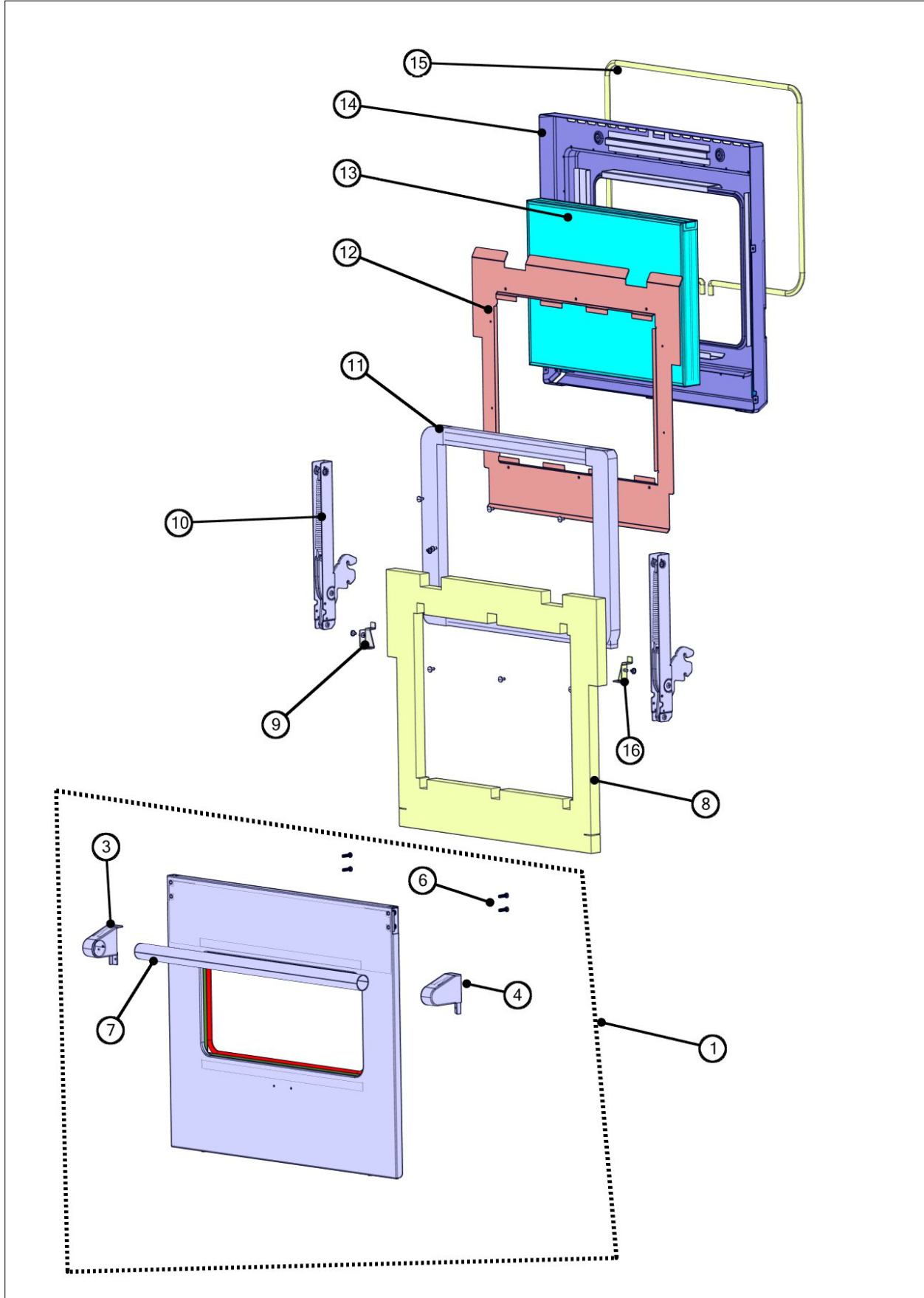
LOWER UNIT AND SIDE TRIM





Item	Part No.	Name	Qty	Uom	NOTES
1	025228-000	TRIM, TOP, FLUSH, 27"	1	EA	
2	024264-000	TRIM,EXTD, TOP, 27"	1	EA	
3	A2009684	REAR AIR DIVIDER, DOUBLE OVEN	1	EA	
4	A20012807	PANEL, REAR	1	EA	
5	A2009671	BRACKET, POWER CABLE	1	EA	
6	040197-000	CONDUIT, ELECTRICAL CORD, 70"	1	EA	
7	024266-000	TRIM, R, FLUSH, DBL	1	EA	
8	024256-000	TRIM,EXTD,RH, DBL	1	EA	
9	A20012739	BASE PAN CORNER BRACE	2	EA	
10	025219-002	27" DEFLECTOR (BK)	1	EA	
11	024478-000	EXTRUSION, 27" FLUSH MOUNT	1	EA	
12	A20012740	STIFFENER, BASE PAN	2	EA	
13	G30010922	BASE MODULE ASSY 27	1	EA	
14	024257-000	TRIM,EXTD,LH, DBL	1	EA	
15	024267-000	TRIM, L, FLUSH, DBL	1	EA	

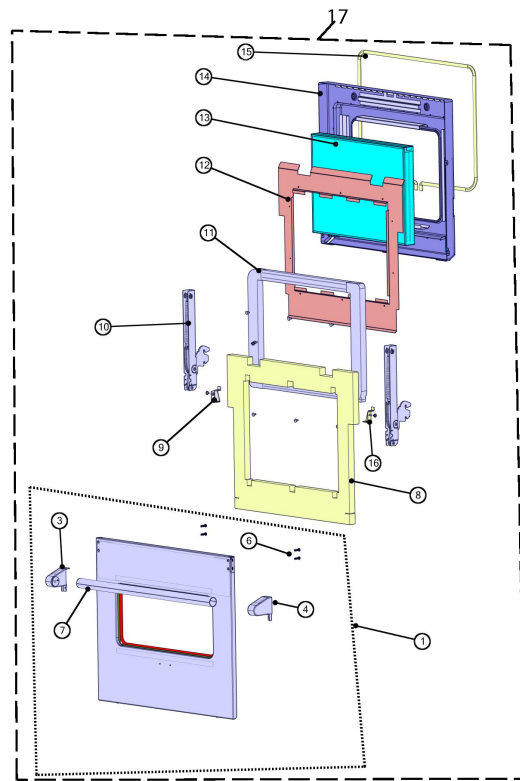
VEDO5272 Lower Door before 12/20/2012





Item	Part No.	Name	Qty	Uom	NOTES
1	025171-000	PRO 27" SVC DOOR SKIN KIT W/O LOGO-SS	1	EA	
1	025507-002	27" PRO DOOR PANEL ASM W/O LOGO, BK	1	EA	
1	025507-005	27" PRO DOOR PANEL ASM W/O LOGO, GG	1	EA	
1	025507-006	27" PRO DOOR PANEL ASM W/O LOGO, WH	1	EA	
1	025507-008	27" PRO DOOR PANEL ASM W/O LOGO, BU	1	EA	
1	025507-013	27" PRO DOOR PANEL ASM W/O LOGO, CB	1	EA	
1	025507-024	27" PRO DOOR PANEL ASM W/O LOGO, AR	1	EA	
3	025186-000	ENDCAP,DOOR HDL,ASM,LH	1	EA	
4	025187-000	ENDCAP,DOOR HDL,ASM,RH	1	EA	
6	030823-000	#10-32 PAN HEAD PHILLIPS MACHINE SCREW	4	EA	
7	025167-000	HANDLE,DOOR,SST,27"	1	EA	
8	013596-000	27" DOOR INSULATION	1	EA	
9	A20012641	HINGE SUPPORT LH	1	EA	
10	023798-000	HINGE, MANSFIELD, WHITE	2	EA	
11	013558-000	INSULATION	2	EA	
12	A20010949	PANEL, INSULATION, INNNER DOOR	1	EA	
13	PE060093	27" WINDOW PACK	1	EA	
14	G91010942	DOOR LINER PORC.	1	EA	
<p>Comments for Part Num. G91010942</p> <p>gboltz@VikingRange.com on Jun 7, 2016 Correct part number is G91019042BK</p>					
15	PB070245	27" DOOR GASKET	1	EA	
16	A20012640	HINGE SUPPORT RH	1	EA	

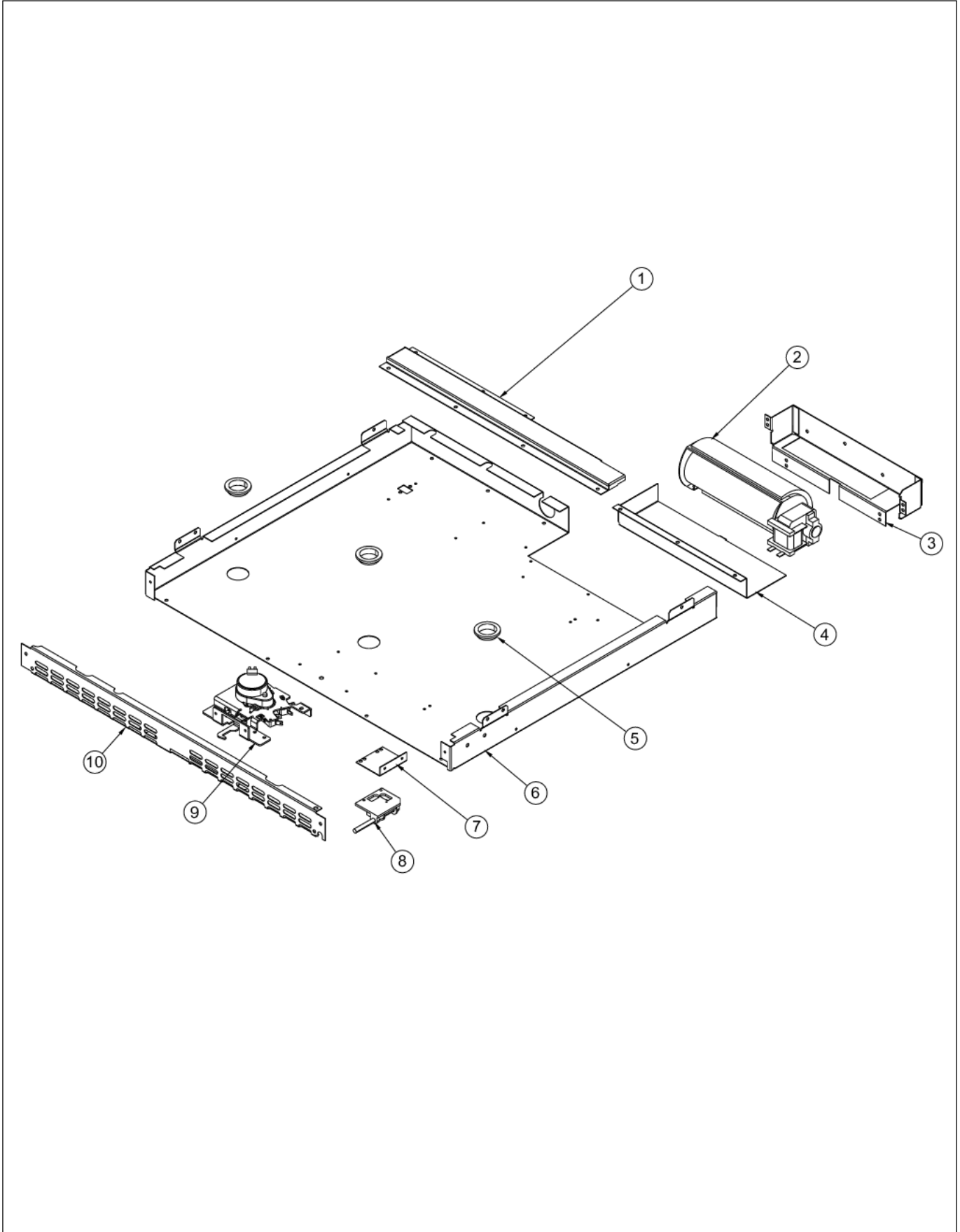
VEDO5272 Lower Door after 12/20/2012





Item	Part No.	Name	Qty	Uom	NOTES
1	025171-000	PRO 27" SVC DOOR SKIN KIT W/O LOGO-SS	1	EA	
1	025507-002	27" PRO DOOR PANEL ASM W/O LOGO, BK	1	EA	
1	025507-005	27" PRO DOOR PANEL ASM W/O LOGO, GG	1	EA	
1	025507-006	27" PRO DOOR PANEL ASM W/O LOGO, WH	1	EA	
1	025507-008	27" PRO DOOR PANEL ASM W/O LOGO, BU	1	EA	
1	025507-013	27" PRO DOOR PANEL ASM W/O LOGO, CB	1	EA	
1	025507-024	27" PRO DOOR PANEL ASM W/O LOGO, AR	1	EA	
3	025186-000	ENDCAP,DOOR HDL,ASM,LH	1	EA	
4	025187-000	ENDCAP,DOOR HDL,ASM,RH	1	EA	
6	030823-000	#10-32 PAN HEAD PHILLIPS MACHINE SCREW	4	EA	
7	025167-000	HANDLE,DOOR,SST,27"	1	EA	
8	013596-000	27" DOOR INSULATION	1	EA	
9	A20012641	HINGE SUPPORT LH	1	EA	
10	023798-000	HINGE, MANSFIELD, WHITE	2	EA	
11	013558-000	INSULATION	2	EA	
12	A20010949	PANEL, INSULATION, INNNER DOOR	1	EA	
13	PE060093	27" WINDOW PACK	1	EA	
14	G91010942BK	DOOR LINER PORC.	1	EA	
15	PB070245	27" DOOR GASKET	1	EA	
16	A20012640	HINGE SUPPORT RH	1	EA	
17	025172-000	27" DOOR ASM W/O LOGO SS	1	EA	
17	025508-002	27" DOOR ASM W/O LOGO BK	1	EA	
17	025508-005	27" DOOR ASM W/O LOGO GG	1	EA	
17	025508-006	27" DOOR ASM W/O LOGO WH	1	EA	
17	025508-008	27" DOOR ASM W/O LOGO BU	1	EA	
17	025508-013	27" DOOR ASM W/O LOGO CB	1	EA	
17	025508-024	27" DOOR ASM W/O LOGO AR	1	EA	

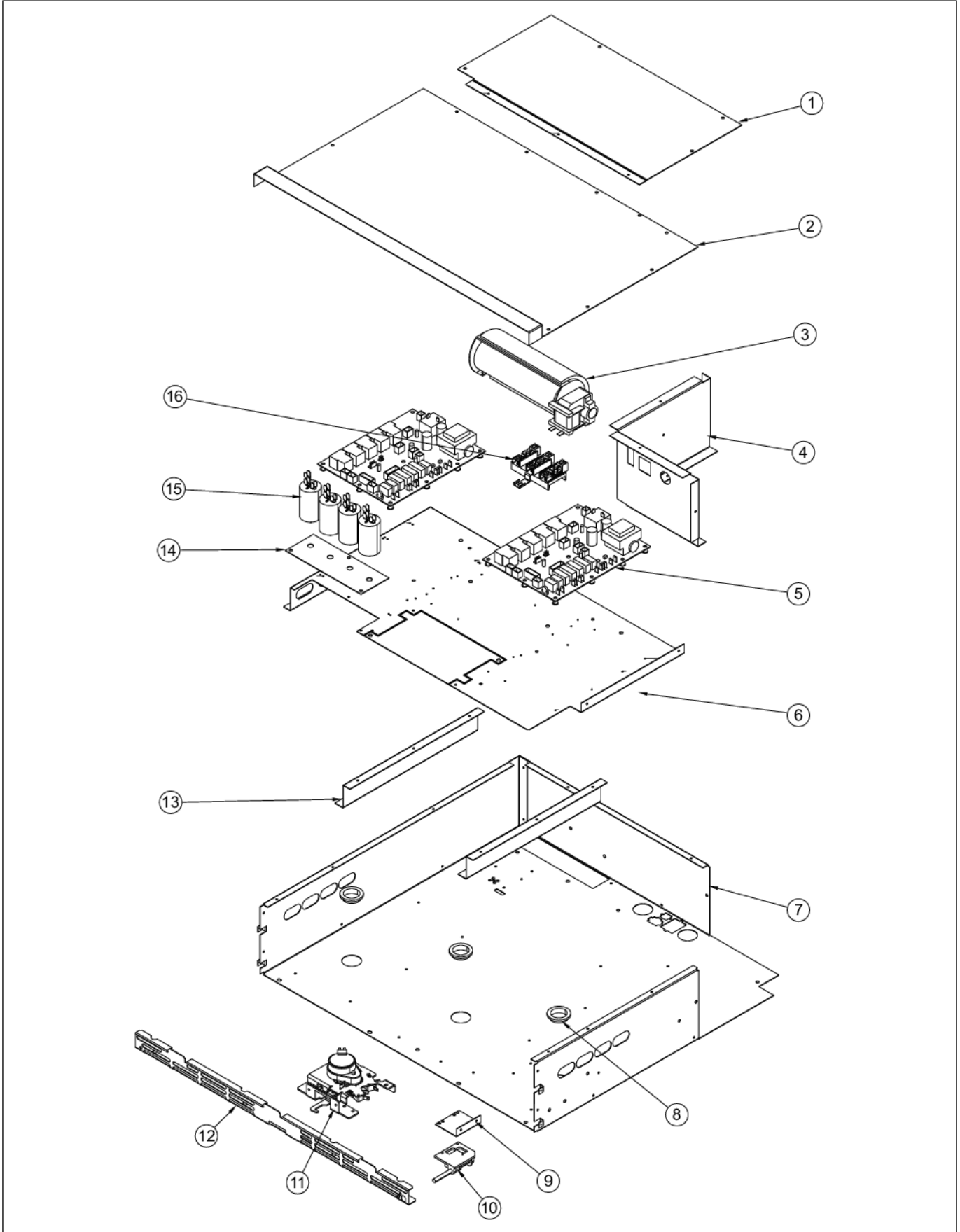
MIDDLE EXTERIOR AREA



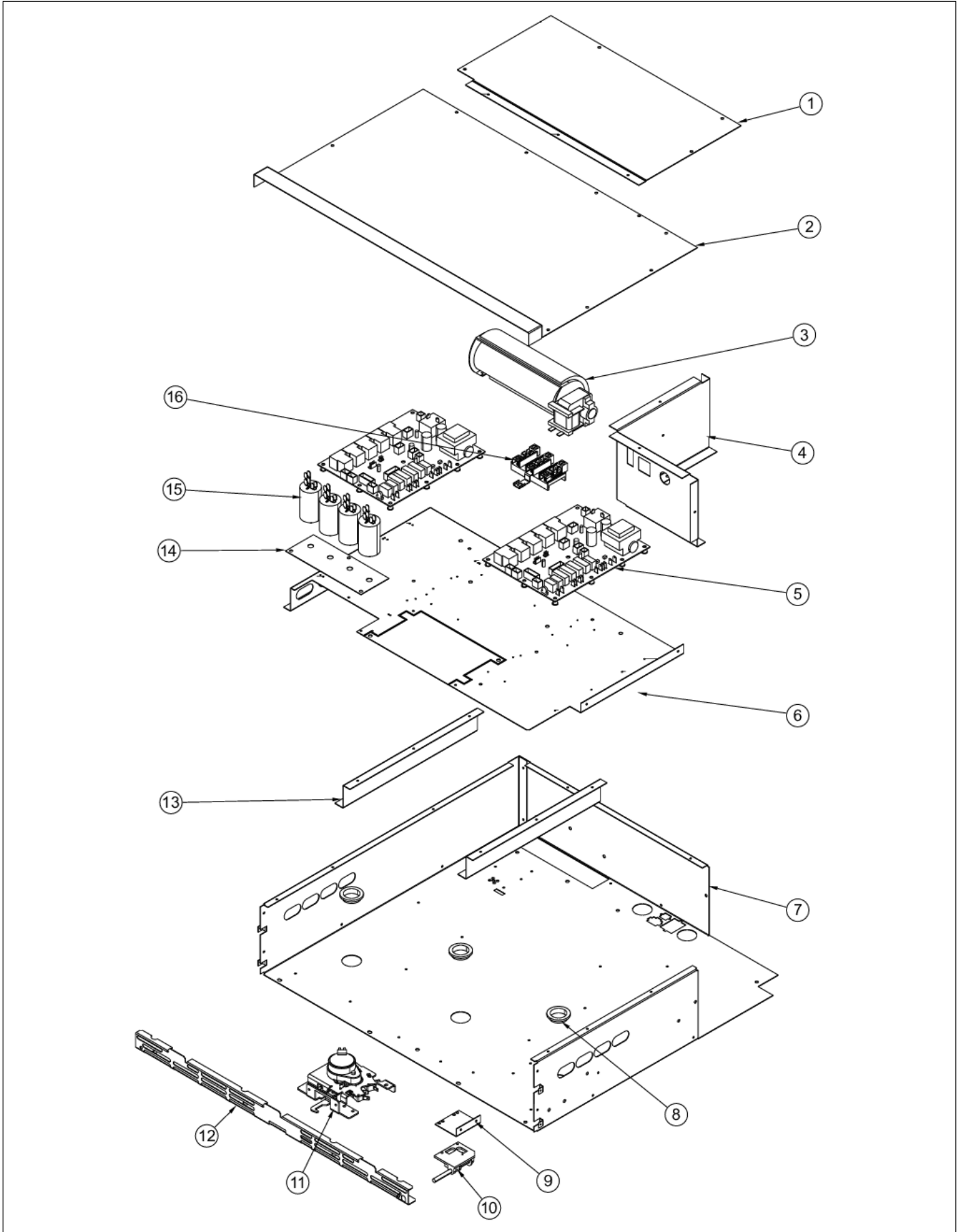


Item	Part No.	Name	Qty	Uom	NOTES
1	A20012808	CATALYST EXHAUST, MIDDLE MODULE	1	EA	
2	PE050250	Blower	1	EA	
Comments for Part Num. PE050250					
highendappsvc@gmail.com on Jan 28, 2019					
If you need to replace cooling fan for the model vgsc5486gss serial date code 031412, do not order this fan, this fan is larger and configured wrong. The correct fan is 007794-000. it is smaller.					
Not Shown	NOTE	(BEFORE 02/04/13)		EA	
2	018607-000	FAN, BLO, 220-240V 50/60 HZ ASM	1	EA	
Not Shown	NOTE	(AFTER 02/04/13)		EA	
NI	048752-000	VEDO5272 BLOWER SERVICE KIT	1	EA	
Not Shown	NOTE	(BUILT AFTER SERIAL # 061013C10095758 BUT BEFORE SERIAL # 010914C10123490)		EA	
3	A3009660	BRACKET, BLOWER, DBL LOWER OVEN	1	EA	
4	A2009659	BRACKET, FILLER, BLOWER	1	EA	
5	PB070079	SILICONE EXTRUSION (DGSU)	3	EA	
6	A20012802	MODULE PAN 27	1	EA	
7	A20012649	DOOR SWITCH BRACKET	1	EA	
8	PE050208	DOOR SWITCH	1	EA	
9	013250-000	LATCH,DOOR,ASM,240V,GRID DLE LOCKOUT	1	EA	
Not Shown	NOTE	(BEFORE 10/31/13)		EA	
9	039293-000	LATCH, ELEC, 240V, ASSY	1	EA	
Not Shown	NOTE	(ON OR AFTER 10/31/13)		EA	
10	C90012803	INLET GRILL DBL LOWER OVEN 27"	1	EA	
10	C90012803BK	INLET GRILL DBL LOWER OVEN 27", BK	1	EA	

UPPER EXTERIOR AREA



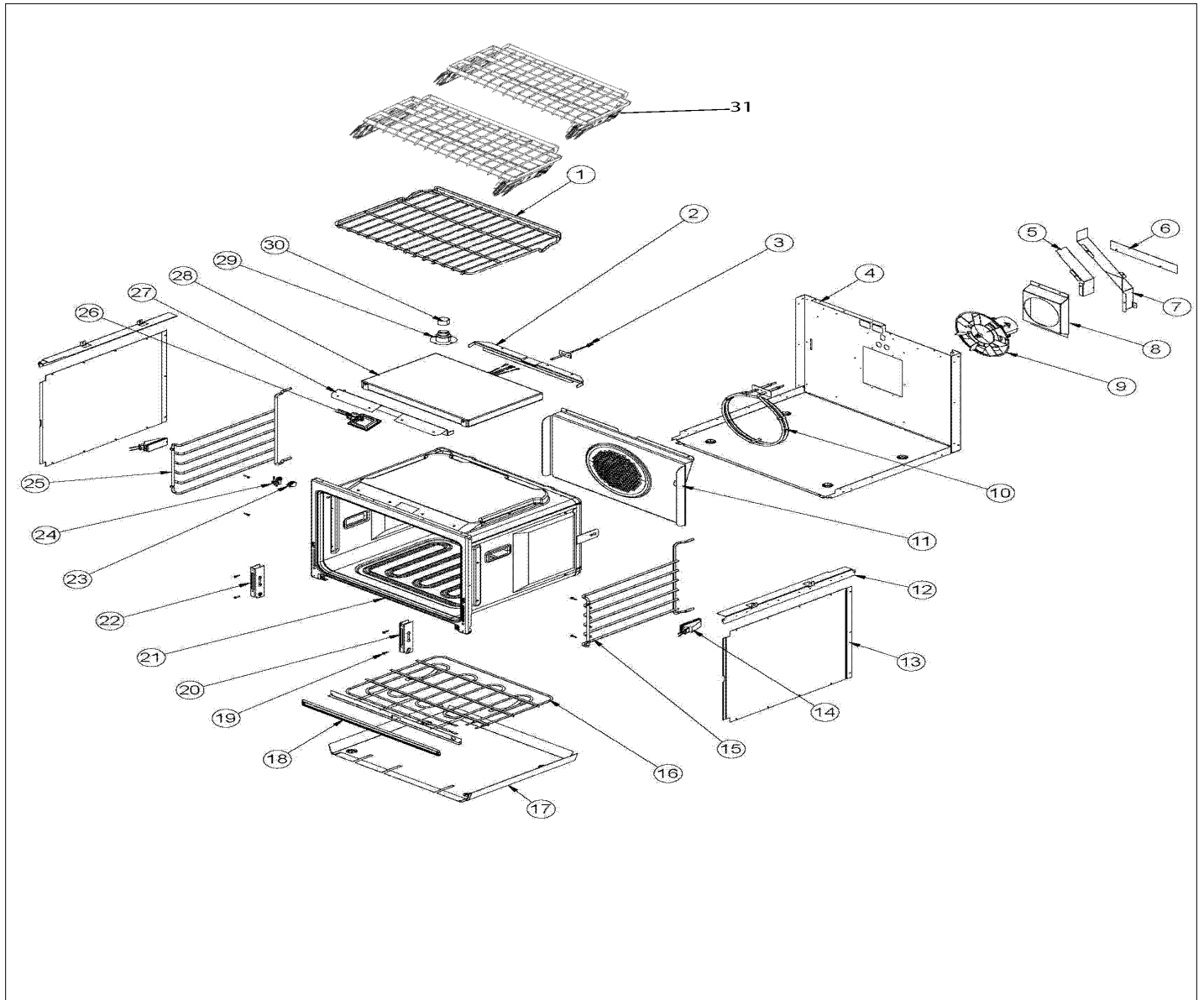
Item	Part No.	Name	Qty	Uom	NOTES
1	A20014047	27" REAR COVER	1	EA	
2	025221-000	PANEL,CVR, TOP, FR, 27"	1	EA	
3	PE050250	Blower	1	EA	
<p>Comments for Part Num. PE050250</p> <p>highendappsvc@gmail.com on Jan 28, 2019</p> <p>If you need to replace cooling fan for the model vgsc5486gss serial date code 031412, do not order this fan, this fan is larger and configured wrong. The correct fan is 007794-000. it is smaller.</p>					
Not Shown	NOTE	BEFORE 2/4/2013		EA	
3	018607-000	FAN, BLO, 220-240V 50/60 HZ ASM	1	EA	
Not Shown	NOTE	AFTER 2/4/2013		EA	
NI	048752-000	VEDO5272 BLOWER SERVICE KIT	1	EA	
Not Shown	NOTE	(BUILT AFTER SERIAL # 061013C10095758 BUT BEFORE SERIAL # 010914C10123490)		EA	
4	A20010934	BRACKET, MODULE PAN	1	EA	
5	002406-000	CONTROL BOARD	2	EA	
<p>Comments for Part Num. 002406-000</p> <p>haarnink@vikingrange.com on Jun 18, 2015</p> <p>For the international E Model numbers EVDSC5 we need to add the info that since First unit was EVDSC530S4B: 092314C10147281 any EVDSC built in 2014 went into production with EOC4. so here we need to add the part number 014000-000 EOC4 plus the SMPS part number 013999-000</p>					
6	A20010935	ELECTRONICS HAT	1	EA	
7	A20010933	MODULE PAN 27"	1	EA	
8	PB070079	SILICONE EXTRUSION (DGSU)	3	EA	
9	A20012649	DOOR SWITCH BRACKET	1	EA	
10	PE050208	DOOR SWITCH	1	EA	
11	013250-000	LATCH,DOOR,ASM,240V,GRID DLE LOCKOUT	1	EA	
Not Shown	NOTE	BEFORE 10/31/13		EA	
11	039293-000	LATCH, ELEC, 240V, ASSY	1	EA	





Item	Part No.	Name	Qty	Uom	NOTES
Not Shown	NOTE	ON OR AFTER 10/31/13		EA	
12	C90014073	27" INLET GRILL	1	EA	
13	A20010910	BRACKET, SUPPORT, ELECTRONICS HAT	2	EA	
14	A10014027	4 CAPACITOR BRACKET	1	EA	
15	053905-000	CAPACITOR, MOTOR, 3uF	4	EA	
16	PE070147	TERMINAL BLOCK (VDSC)	1	EA	
NI	PE070795	HEADER, MODEL 3, YELLOW	1	EA	

UPPER OVEN CAVITY



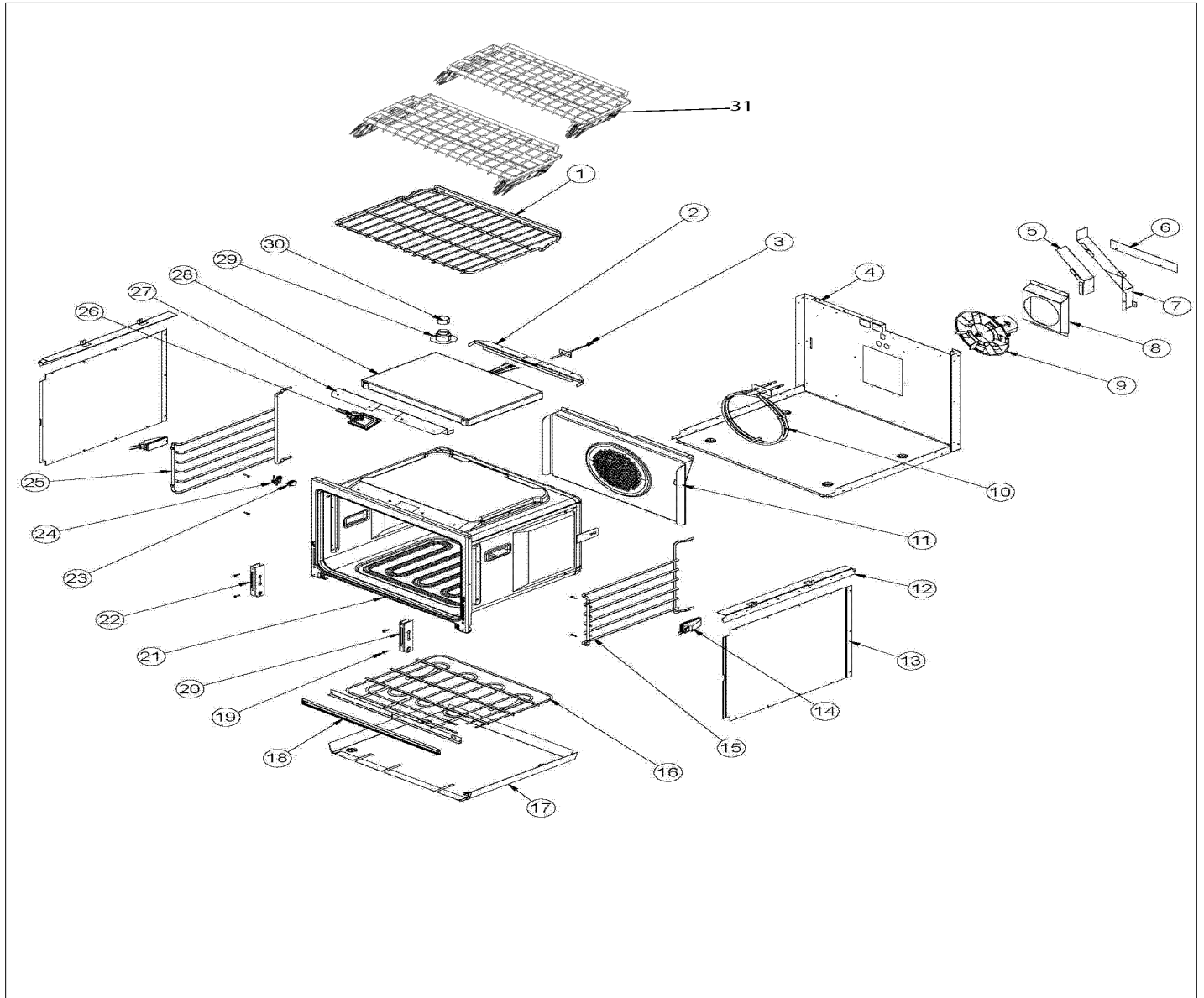
Item	Part No.	Name	Qty	Uom	NOTES
1	041045-000	27" OVEN RACK	1	EA	
2	024221-000	BROIL ELEMENT BRACKET REAR	1	EA	
3	PE050206	RTD THERMOSTAT PROBE	1	EA	
4	UNSERVICEABLE	BASE, BACK WRAPPER, 27"	1	EA	
5	A21010919	BRACKET, AIR, CONVECTION MOTOR	1	EA	
6	A10010907	COVER, BLOWER	1	EA	
7	A21010918	BRACKET, AIR, CONVECTION MOTOR	1	EA	
8	A2009697	BRACKET, CONVECTION INSULATION	1	EA	
9	G32014020	CONVECTION FAN ASSY	1	EA	
10	PJ010047	CONVECTION ELEMENT	1	EA	
11	G91013597	27" BAFFLE ASSEMBLY	1	EA	
12	A2009641	BRKT, TOP WRAPPER	2	EA	
13	014137-000	WRAPPER, OVEN SIDE	2	EA	
14	005311-000	LAMP, OVEN, 120V/25W	2	EA	
15	066478-402	SUPPORT, RACK ASM, RH BLACK	1	EA	
16	PJ010048	BAKE ELEMENT	1	EA	
17	A20010932	ELEMENT, MTG TRAY	1	EA	
18	E9109655	COVER, BAKE TRAY	1	EA	
19	PD020232	NO.8 X 3/4 PH PAN HEAD TEK SCREW (BLACK OXIDE)	8	EA	
20	PC020221	HINGE POCKET RECEIVER MANSFIELD RH	1	EA	
21	UNSERVICEABLE	27" PREMIERE CAVITY ASSY	1	EA	
22	PC020247	HINGE POCKET RECEIVER MANSFIELD LH	1	EA	
23	PM010160	MEAT PROBE JACK COVER	1	EA	
24	PE050115	MEAT PROBE JACK	1	EA	

Comments for Part Num. PE050115

bradleysapplianceservice@shaw.ca on May 8, 2017

Meat probe is not illustrated on Parts Break Down.

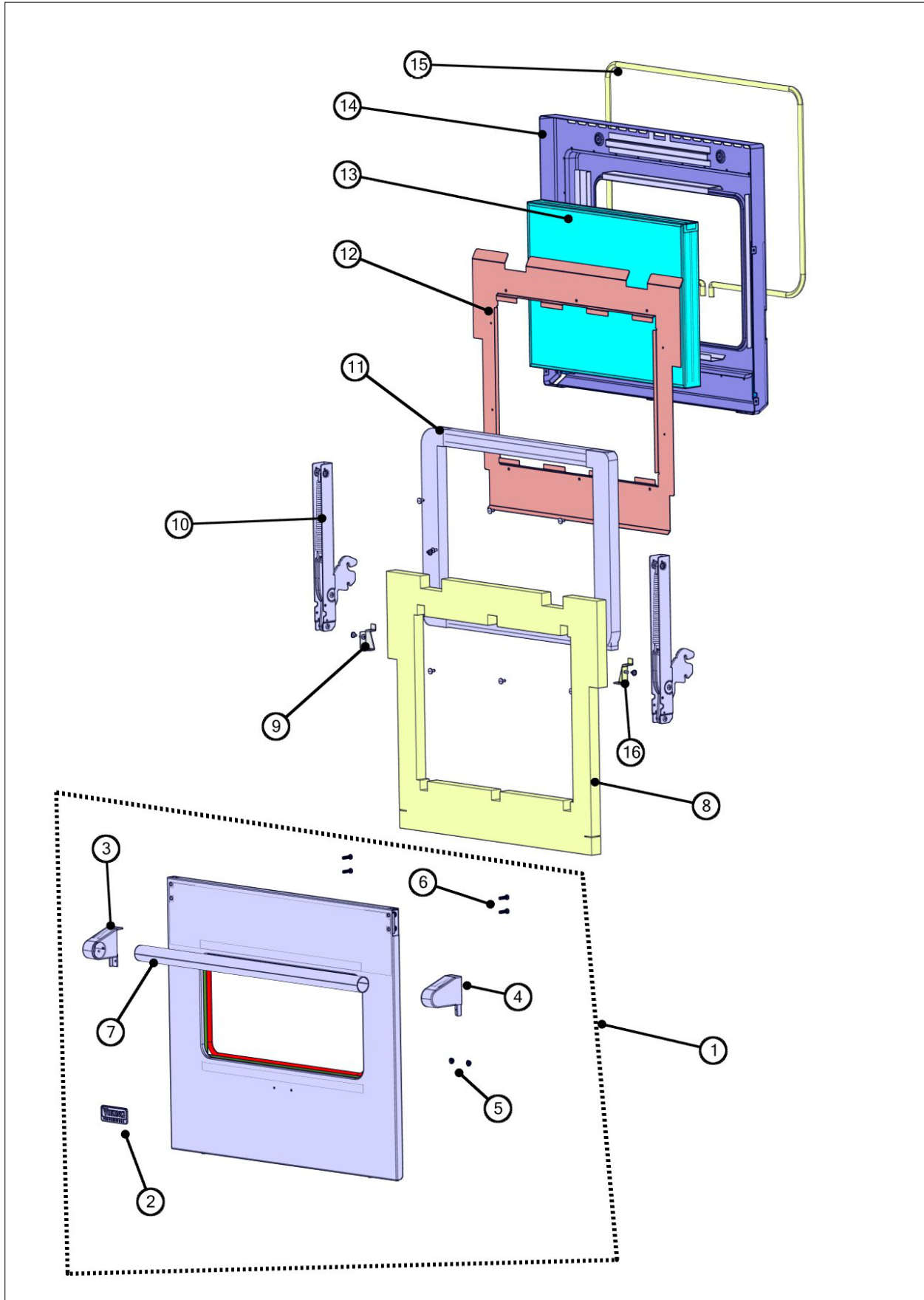
PE050114 MEAT PROBE





Item	Part No.	Name	Qty	Uom	NOTES
25	066479-402	SUPPORT, RACK ASM, LH BLACK	1	EA	
26	020403-000	BJB SLIMLINE 40W BULB	1	EA	
27	024234-000	PREMIERE BROIL ELEMENT BRACKET FRONT	1	EA	
28	024040-000	SEALED BROIL ELEMENT W/GLASS	1	EA	
29	PM010014	SMOKE ELIMINATOR (VDSC)	1	EA	
30	PB020275	VENT TUBE	1	EA	
31	024737-000	27" SLIDING OVEN RACK	2	EA	

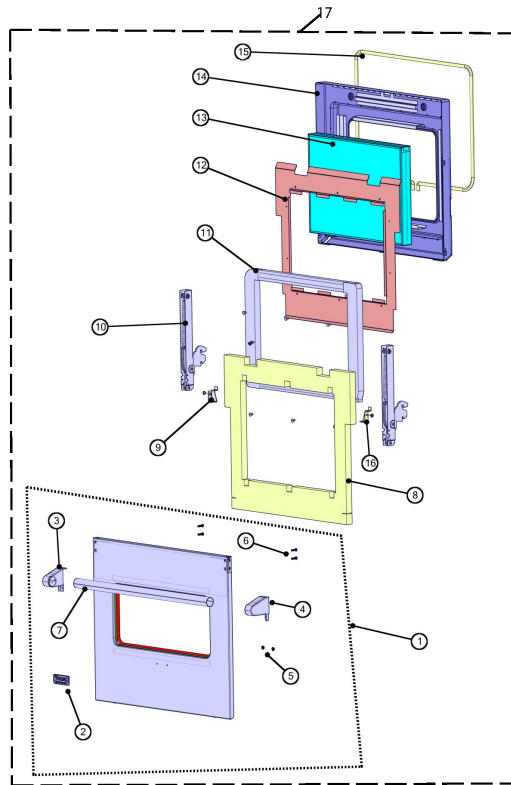
VEDO5272 Upper Door before 12/20/2012





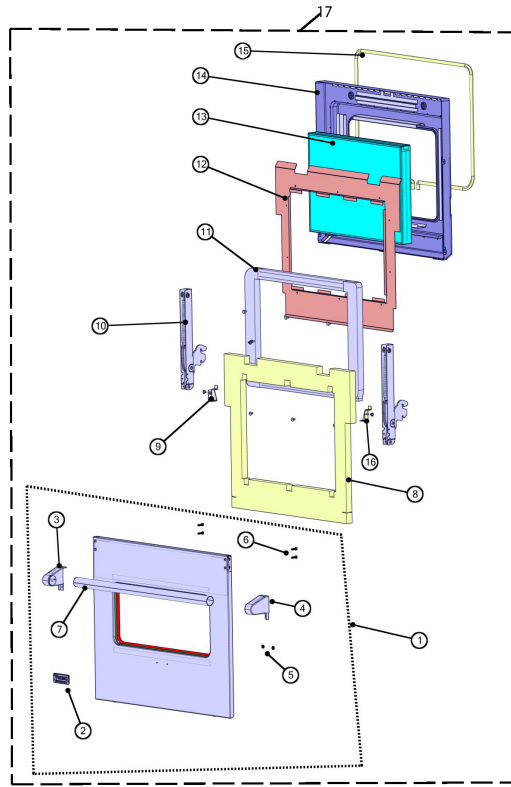
Item	Part No.	Name	Qty	Uom	NOTES
1	025168-000	PANEL, DOOR, W/LOGO, 27", SS	1	EA	
1	025504-002	27" PRO DOOR PANEL ASM W/LOGO, BK	1	EA	
1	025504-005	27" PRO DOOR PANEL ASM W/LOGO, GG	1	EA	
1	025504-006	27" PRO DOOR PANEL ASM W/LOGO, WH	1	EA	
1	025504-008	27" PRO DOOR PANEL ASM W/LOGO, BU	1	EA	
1	025504-013	27" PRO DOOR PANEL ASM W/LOGO, CB	1	EA	
1	025504-024	27" PRO DOOR PANEL ASM W/LOGO, AR	1	EA	
2	PE010142	3" LOGO *BK**CHROME	1	EA	
2	PE010143	3" LOGO, BK/BR	1	EA	
3	025186-000	ENDCAP, DOOR HDL, ASM, LH	1	EA	
4	025187-000	ENDCAP, DOOR HDL, ASM, RH	1	EA	
5	PD030006	CAPPED WASHER PAL NUT	2	EA	
6	030823-000	#10-32 PAN HEAD PHILLIPS MACHINE SCREW	4	EA	
7	025167-000	HANDLE, DOOR, SST, 27"	1	EA	
8	013596-000	27" DOOR INSULATION	1	EA	
9	A20012641	HINGE SUPPORT LH	1	EA	
10	023798-000	HINGE, MANSFIELD, WHITE	2	EA	
11	013558-000	INSULATION	2	EA	
12	A20010949	PANEL, INSULATION, INNER DOOR	1	EA	
13	PE060093	27" WINDOW PACK	1	EA	
14	G91010942	DOOR LINER PORC.	1	EA	
<p>Comments for Part Num. G91010942</p> <p>gboltz@VikingRange.com on Jun 7, 2016</p> <p>Correct part number is G91019042BK</p>					
15	PB070245	27" DOOR GASKET	1	EA	
16	A20012640	HINGE SUPPORT RH	1	EA	

VEDO5272 Upper Door after 12/20/2012





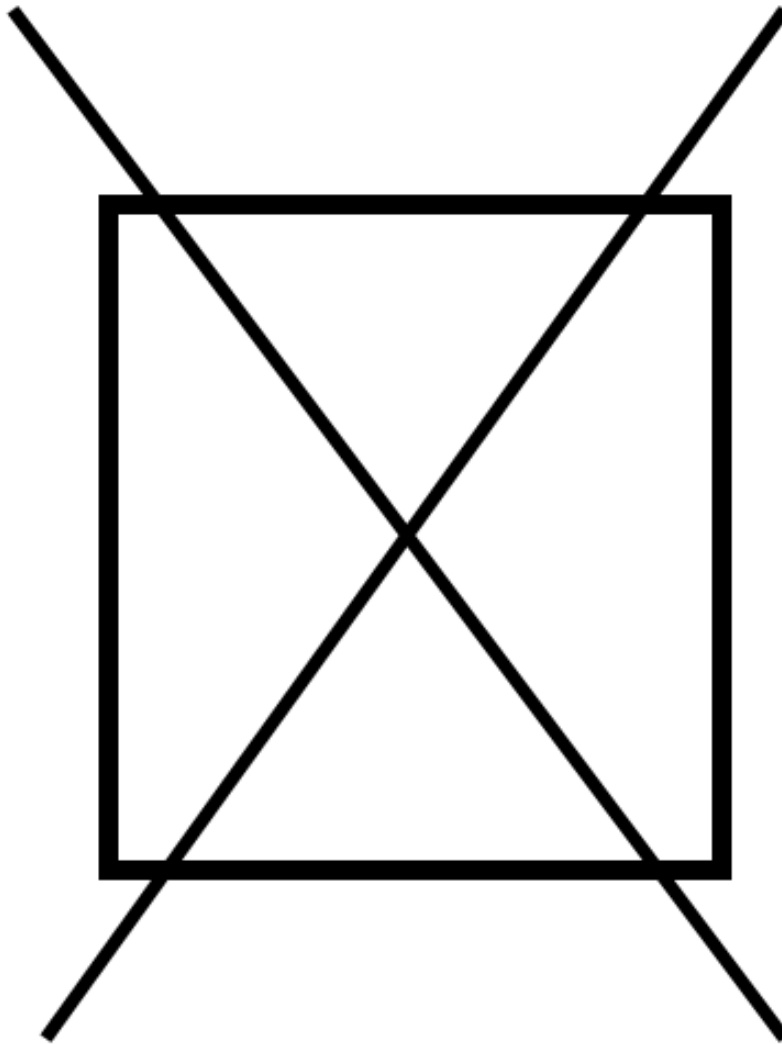
Item	Part No.	Name	Qty	Uom	NOTES
1	025168-000	PANEL, DOOR, W/LOGO, 27", SS	1	EA	
1	025504-002	27" PRO DOOR PANEL ASM W/LOGO, BK	1	EA	
1	025504-005	27" PRO DOOR PANEL ASM W/LOGO, GG	1	EA	
1	025504-006	27" PRO DOOR PANEL ASM W/LOGO, WH	1	EA	
1	025504-008	27" PRO DOOR PANEL ASM W/LOGO, BU	1	EA	
1	025504-013	27" PRO DOOR PANEL ASM W/LOGO, CB	1	EA	
1	025504-024	27" PRO DOOR PANEL ASM W/LOGO, AR	1	EA	
2	PE010142	3" LOGO *BK**CHROME	1	EA	
2	PE010143	3" LOGO, BK/BR	1	EA	
3	025186-000	ENDCAP, DOOR HDL, ASM, LH	1	EA	
4	025187-000	ENDCAP, DOOR HDL, ASM, RH	1	EA	
5	PD030006	CAPPED WASHER PAL NUT	2	EA	
6	030823-000	#10-32 PAN HEAD PHILLIPS MACHINE SCREW	4	EA	
7	025167-000	HANDLE, DOOR, SST, 27"	1	EA	
8	013596-000	27" DOOR INSULATION	1	EA	
9	A20012641	HINGE SUPPORT LH	1	EA	
10	023798-000	HINGE, MANSFIELD, WHITE	2	EA	
11	013558-000	INSULATION	2	EA	
12	A20010949	PANEL, INSULATION, INNER DOOR	1	EA	
13	PE060093	27" WINDOW PACK	1	EA	
14	G91010942BK	DOOR LINER PORC.	1	EA	
15	PB070245	27" DOOR GASKET	1	EA	
16	A20012640	HINGE SUPPORT RH	1	EA	
17	025169-000	27" DOOR ASM W/LOGO SS	1	EA	
17	025505-002	27" DOOR ASM W/LOGO BK	1	EA	
17	025505-005	27" DOOR ASM W/LOGO GG	1	EA	
17	025505-006	27" DOOR ASM W/LOGO WH	1	EA	
17	025505-008	27" DOOR ASM W/LOGO BU	1	EA	





Item	Part No.	Name	Qty	Uom	NOTES
17	025505-013	27" DOOR ASM W/LOGO CB	1	EA	
17	025505-024	27" DOOR ASM W/LOGO AR	1	EA	

NON
ILLUSTRATED PART





Item	Part No.	Name	Qty	Uom	NOTES
NI	PE070733	UPPER LATCH HARNESS	1	EA	
NI	PE070735	MEAT PROBE HARNESS	1	EA	
NI	042029-000	HARNESS, CTRL, LWR	1	EA	
NI	PE070738	T/STAT-SEL HARNESS	4	EA	
NI	PE070739	BAKE ELEMENT HARNESS	2	EA	
NI	042030-000	LOWER LATCH HARNESS	1	EA	
NI	042028-000	HARNESS, UPPER CONTROL	1	EA	
NI	PE070746	DOUBLE ANALOG CLOCK HARNESS	1	EA	
NI	040197-000	CONDUIT, ELECTRICAL CORD, 70"	1	EA	
NI	000915-000	LIMIT JUMPER	2	EA	
NI	057594-000	JMPR, LED, 240v ADPT	4	EA	
NI	044607-000	WIRE, GROUND	2	EA	



Appendix A:Pages Index

CONTROL AREA 1
LOWER OVEN CAVITY 2
LOWER UNIT AND SIDE TRIM 3
MIDDLE EXTERIOR AREA 6
UPPER EXTERIOR AREA 7
UPPER OVEN CAVITY 8
VEDO5272 Lower Door after 12/20/2012 5
VEDO5272 Lower Door before 12/20/2012 4
VEDO5272 Upper Door after 12/20/2012 10
VEDO5272 Upper Door before 12/20/2012 9
WIRING 11



Appendix B:Parts Index

000915-000	11	025504-008	9, 10
002406-000	7	025504-013	9, 10
005311-000	2, 8	025504-024	9, 10
013250-000	6, 7	025505-002	10
013558-000	4, 5, 9, 10	025505-005	10
013596-000	4, 5, 9, 10	025505-006	10
014137-000	2, 8	025505-008	10
015043-000	1	025505-013	10
015662-000	1	025505-024	10
018607-000	6, 7	025507-002	4, 5
020403-000	2, 8	025507-005	4, 5
023798-000	4, 5, 9, 10	025507-006	4, 5
024040-000	2, 8	025507-008	4, 5
024221-000	2, 8	025507-013	4, 5
024234-000	2, 8	025507-024	4, 5
024256-000	3	025508-002	5
024257-000	3	025508-005	5
024264-000	3	025508-006	5
024266-000	3	025508-008	5
024267-000	3	025508-013	5
024478-000	3	025508-024	5
024737-000	2, 8	030823-000	4, 5, 9, 10
024810-000	1	035981-2299	1
025100-000	1	036330-000	1
025142-000	1	036441-000	1
025167-000	4, 5, 9, 10	036457-000	1
025168-000	9, 10	036576-000	1
025169-000	10	039293-000	6, 7
025171-000	4, 5	040197-000	3, 11
025172-000	5	041045-000	2, 8
025185-000	1	042028-000	11
025186-000	4, 5, 9, 10	042029-000	11
025187-000	4, 5, 9, 10	042030-000	11
025197-2299	1	044607-000	11
025219-002	3	048752-000	6, 7
025221-000	7	050172-000	1
025228-000	3	053905-000	7
025504-002	9, 10	057594-000	11
025504-005	9, 10	066478-402	2, 8
025504-006	9, 10	066479-402	2, 8
		A10010907	8



A10014027	7	PB070245	4, 5, 9, 10
A20010910	7	PC020221	2, 8
A20010932	2, 8	PC020247	2, 8
A20010933	7	PD020032	1
A20010934	7	PD020232	2, 8
A20010935	7	PD020261	1
A20010949	4, 5, 9, 10	PD030006	9, 10
A20012640	4, 5, 9, 10	PE010142	9, 10
A20012641	4, 5, 9, 10	PE010143	9, 10
A20012649	6, 7	PE050115	2, 8
A20012739	3	PE050140	1
A20012740	3	PE050206	2, 8
A20012802	6	PE050208	6, 7
A20012807	3	PE050250	6, 7
A20012808	6	PE060093	4, 5, 9, 10
A20012809	2	PE070147	7
A20014047	7	PE070733	11
A2009641	2, 8	PE070735	11
A2009659	6	PE070738	11
A2009671	3	PE070739	11
A2009684	3	PE070746	11
A2009697	2, 8	PE070795	7
A21010918	8	PJ010047	2, 8
A21010919	8	PJ010048	2, 8
A3009660	6	PJ030033	1
C90012803	6	PJ030035	1
C90012803BK	6	PJ030036	1
C90014073	7	PM010014	2, 8
E9109655	2, 8	PM010160	2, 8
G30010922	3		
G32014020	2, 8		
G40015469	1		
G91010942	4, 9		
G91010942BK	5, 10		
G91013597	2, 8		
PA010093	1		
PA010192	1		
PB010304PVD	1		
PB010313	1		
PB020275	2, 8		
PB070079	6, 7		