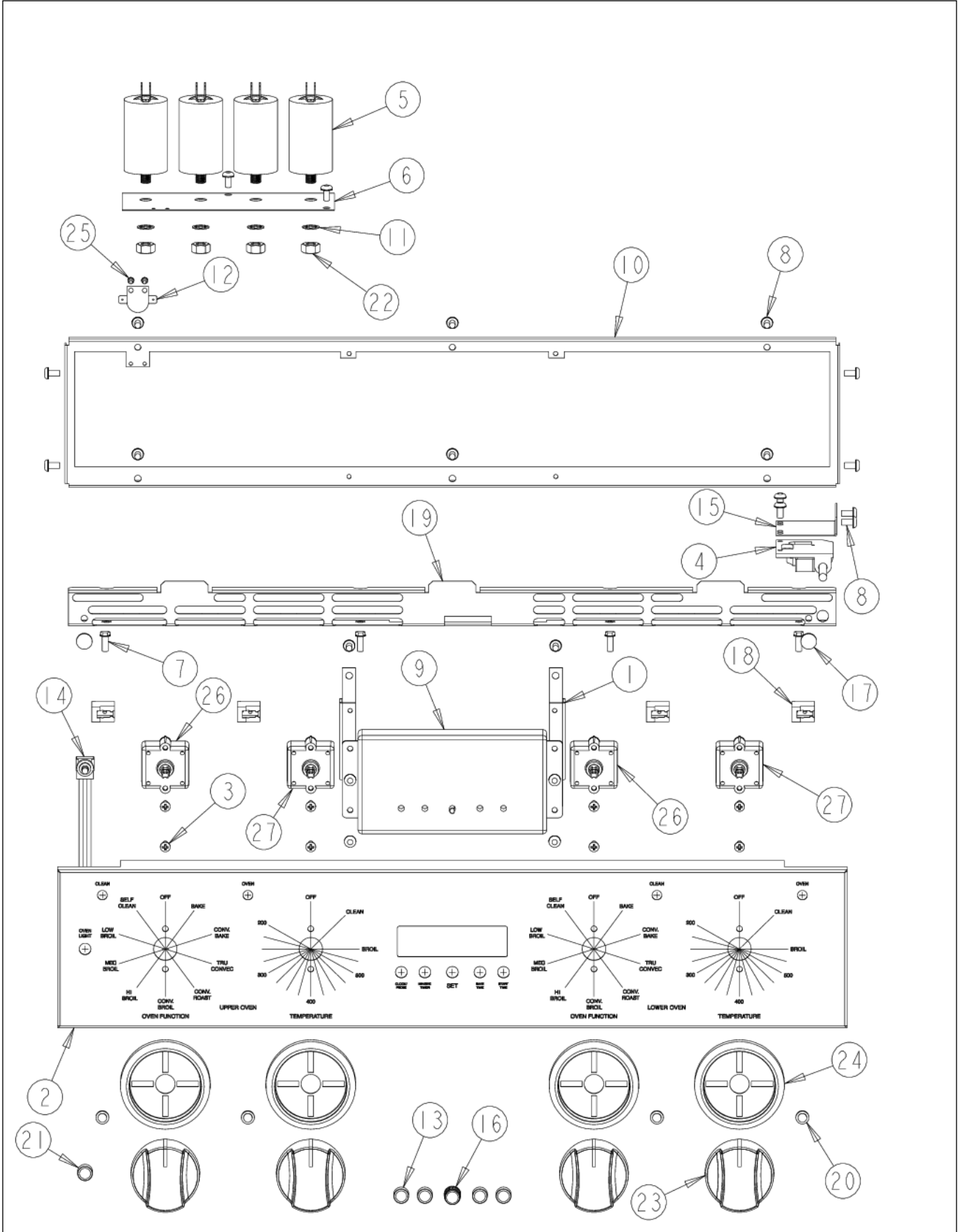


**VEDO527**

CONTROL AREA .....	1
LOWER CONTROL HARNESS .....	2
LOWER DOOR ASSEMBLY .....	3
LOWER LATCH HARNESS .....	4
LOWER OVEN CAVITY EXTERIOR .....	5
LOWER OVEN CAVITY INTERIOR .....	6
LOWER OVEN LOWER AREA .....	7
MIDDLE UNIT AREA .....	8
REAR UNIT AREA .....	9
SIMPLE HARNESSES 1 .....	10
SIMPLE HARNESSES 2 .....	11
UPPER CONTROL HARNESS .....	12
UPPER DOOR ASSEMBLY .....	13
UPPER OVEN CAVITY .....	14
UPPER OVEN CAVITY EXTERIOR .....	15
UPPER OVEN CAVITY INTERIOR .....	16
UPPER OVEN LOWER AREA .....	17
UPPER UNIT AREA AFTER 07-20-06 .....	18
UPPER UNIT AREA BEFORE 07-20-06 .....	19
Appendix A:Pages Index .....	A
Appendix B:Parts Index .....	B

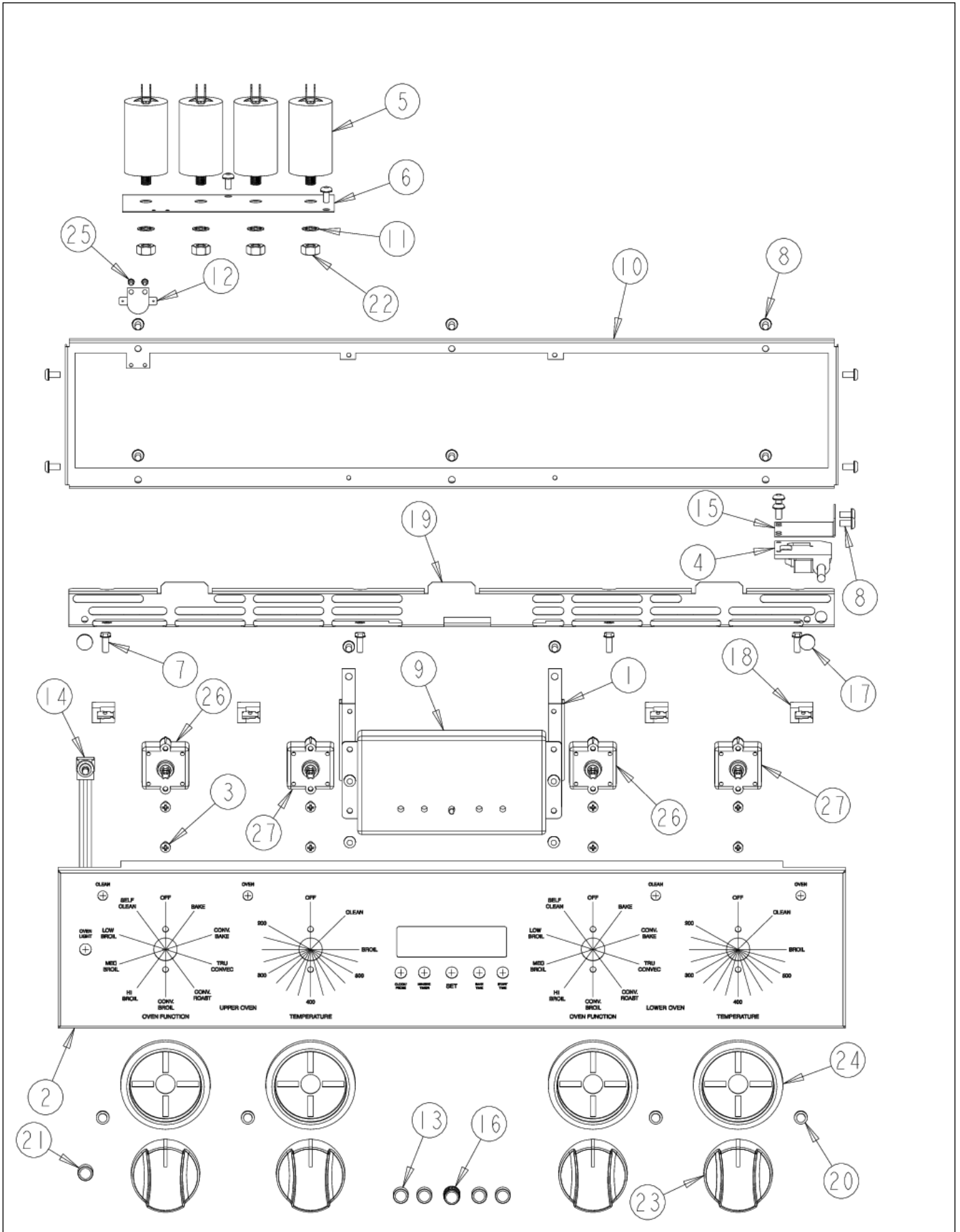


CONTROL AREA

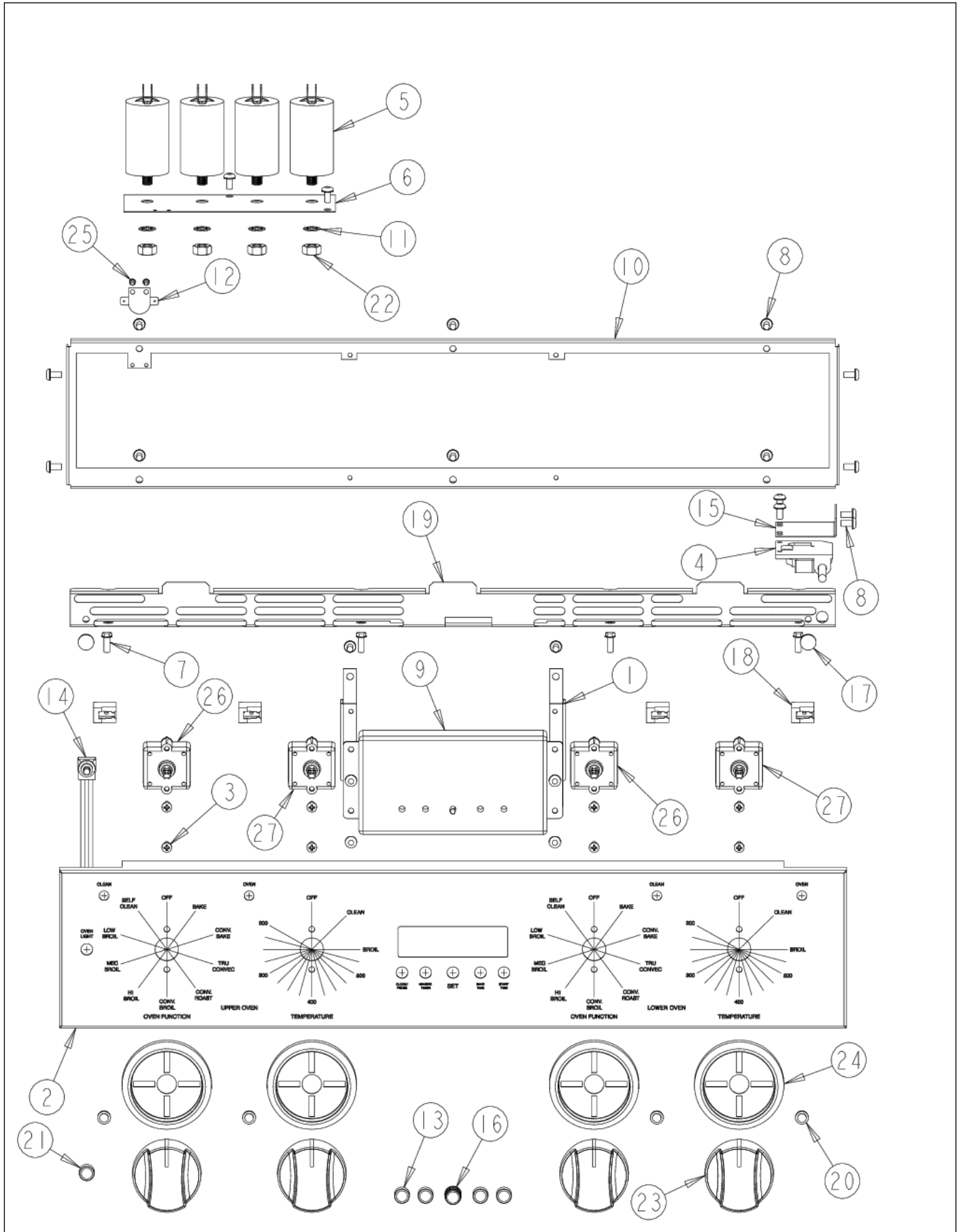




Item	Part No.	Name	Qty	Uom	NOTES
1	A20014063	CLOCK BRACKET	1	EA	
Not Shown	NOTE	(AFTER 06/12/06 C-0100)		EA	
2	B92012635	27" DBL. CTR. PNL. ULTRA PROF	1	EA	
Not Shown	NOTE	(BEFORE 06/12/06 C-0100)		EA	
2	C92012635BK	27" DBL. CTR. PNL. ULTRA PROF *BK*	1	EA	NO LONGER AVAILABLE, Not available online / Call for pricing and availability
Not Shown	NOTE	(BEFORE 06/12/06 C-0100)		EA	
2	C92012635WH	27" DBL. CTR. PNL. ULTRA PROF *WH*	1	EA	NO LONGER AVAILABLE, Not available online / Call for pricing and availability
Not Shown	NOTE	(BEFORE 06/12/06 C-0100)		EA	
2	B92014067	27" DOUBLE PROF. PREMIERE CONTROL PNL.	1	EA	
Not Shown	NOTE	(AFTER 06/12/06 C-0100)		EA	
2	C92014067BK	27" DOUBLE PROF. PREMIERE CONTROL PNL. *BK*	1	EA	NO LONGER AVAILABLE, Not available online / Call for pricing and availability
Not Shown	NOTE	(AFTER 06/12/06 C-0100)		EA	
2	C92014067WH	27" DOUBLE PROF. PREMIERE CONTROL PNL. *WH*	1	EA	NO LONGER AVAILABLE
Not Shown	NOTE	(AFTER 06/12/06 C-0100)		EA	
3	PD020261	#8-32X1/2" PH PANHEAD MACH. SCREW	1	EA	
4	PE050208	DOOR SWITCH	1	EA	
5	036047-000	EBM FAN MOTOR CAPACITOR	1	EA	
6	A10014027	4 CAPACITOR BRACKET	1	EA	
7	PD020060	10 X 1/2" (5/16)HEX WSHER HD.(T)A	1	EA	
8	PD020004	10X3/8PH.HD.TYPE 25 REPL PD040125	1	EA	



Item	Part No.	Name	Qty	Uom	NOTES
9	PE050214	CLOCK (DIGITAL 230V 50/60HZ)	1	EA	
10	A20014061	27" CONTROL MTG PANEL	1	EA	NO LONGER AVAILABLE
Not Shown	NOTE	(AFTER 06/12/06 C-0100)		EA	
11	PD040164	5/16 INTERNAL TOOTH LOCK WASHER TYPE A	1	EA	
12	G50015481	PRO HI-LIMIT SERVICE KIT	1	EA	
Not Shown	NOTE	(BEFORE 07-17-06)		EA	
NI	PJ030043	BI-METAL THERMOSTAT	1	EA	
Not Shown	NOTE	(AFTER 07-17-06)		EA	
13	PB010306	PROF. CLOCK BUTTON	1	EA	
13	PB010310	PROF. CLOCK BUTTON *WH*	1	EA	
14	G40015469	DESIGNER OVEN LIGHT SWITCH	1	EA	
15	A20012649	DOOR SWITCH BRACKET	1	EA	
16	PB010307	PROF. CLOCK KNOB	1	EA	
16	PB010311	PROF. CLOCK KNOB *WH*	1	EA	
17	PD040004	GROMMET BUMPER	1	EA	
18	PE050072	LENS OPENING	1	EA	
19	C90014073BK	27" INLET GRILL	1	EA	
20	PE050023	OVEN IND. LIGHT (LENS & BEZEL)	1	EA	
21	PB010308	PROF. OVEN LIGHT BUTTON	1	EA	NO LONGER AVAILABLE
21	PB010312	PROF. OVEN LIGHT BUTTON *WH*	1	EA	NO LONGER AVAILABLE
22	PD030172	M8 X 1.25MM NUT	1	EA	
23	PB010305	PROF. SELECTOR/THERMOSTAT KNOB	1	EA	
23	PB010309	PROF. SELECTOR/THERMOSTAT KNOB *WH*	1	EA	
24	050172-000	KNOB BEZEL	1	EA	
24	PB010304PVD	RESTYLE KNOB BEZEL, BR	1	EA	
25	PD020013	TYPE "AB" #6 X 3/8 PH PAN HD. SMS	1	EA	







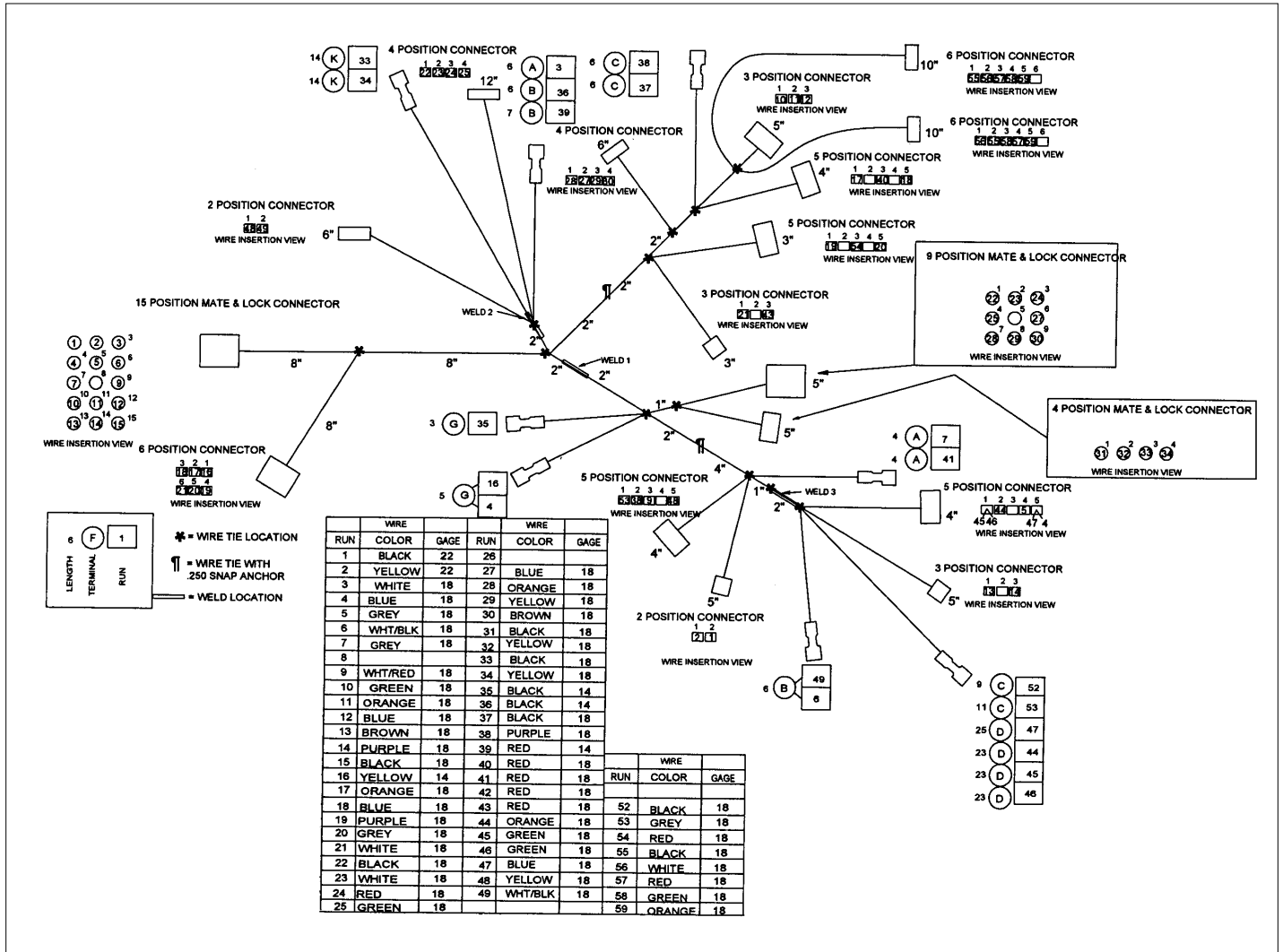
Item	Part No.	Name	Qty	Uom	NOTES
26	PJ030033	SELECTOR (10 POS)	1	EA	
27	PJ030035	THERMOSTAT	1	EA	

Comments for Part Num. PJ030035

parts@lvdistributes.com on Feb 7, 2018  
this is not the correct part for this range it should be a 003225-000  
Reply by JREXEC02@AOL.COM on Feb 27, 2018  
003225-000 is an Induction Control.

PJ030035 is the red colored thermostat for the Gas Range  
\*\*\*\*\*

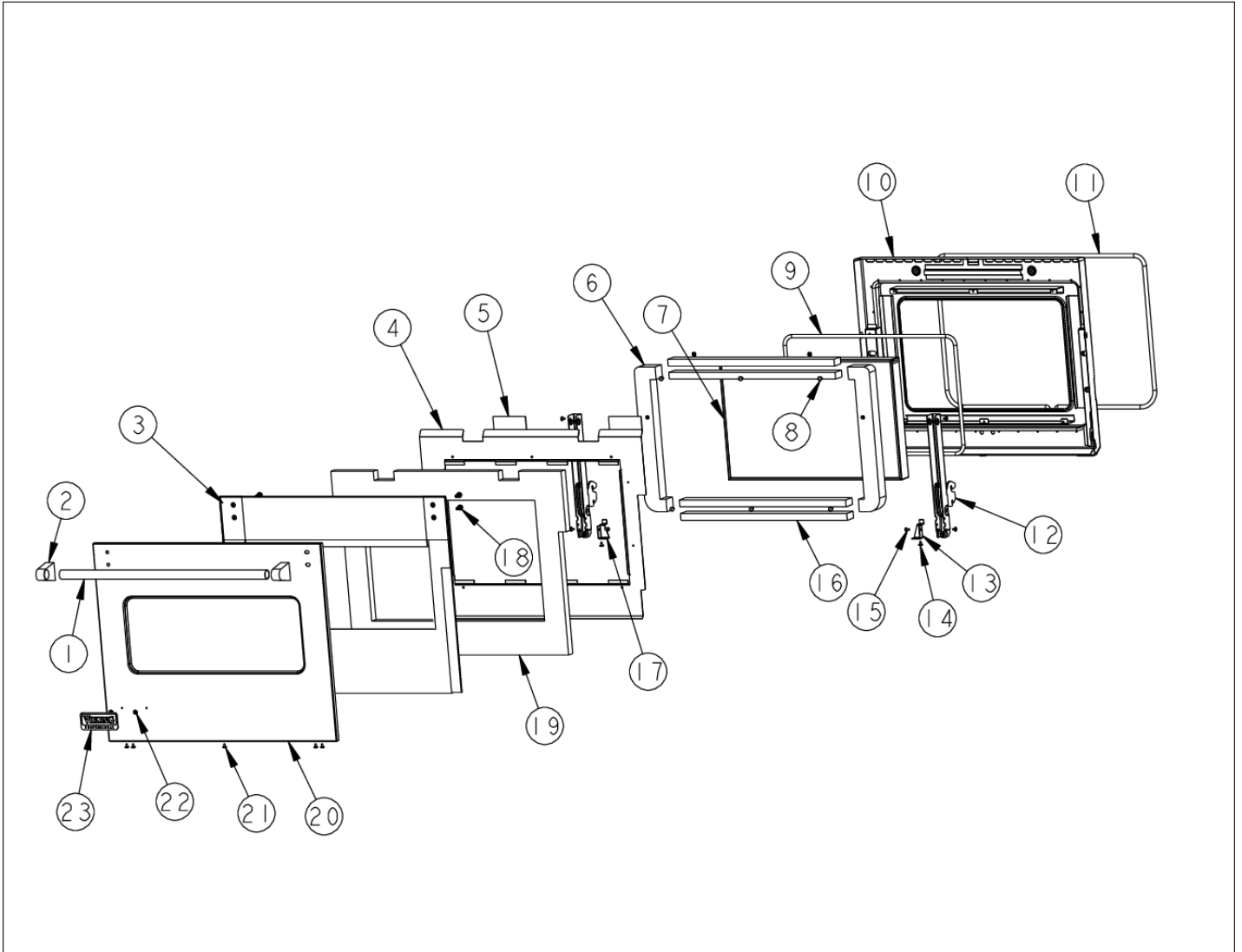
# LOWER CONTROL HARNESS





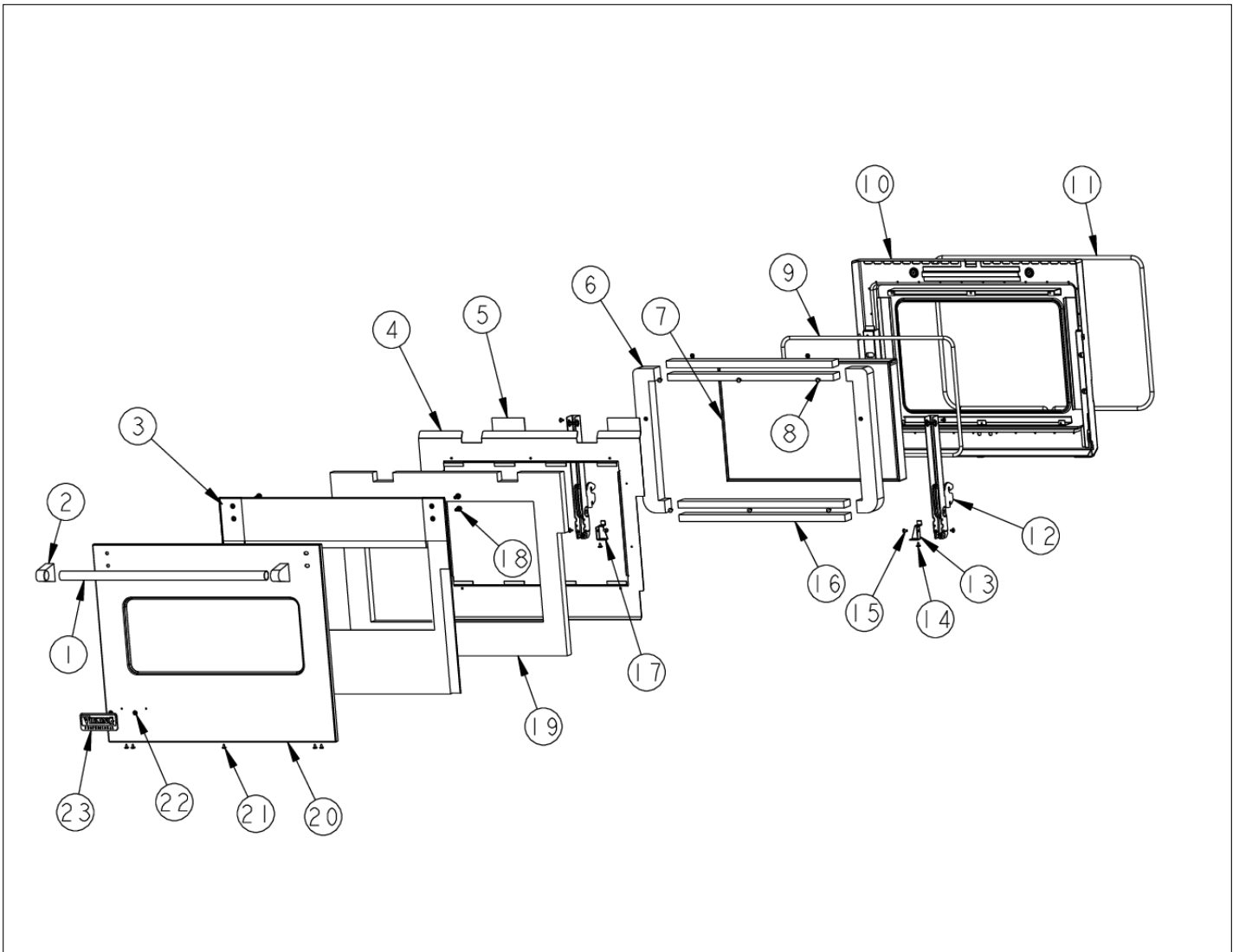
Item	Part No.	Name	Qty	Uom	NOTES
1	PE070736	LOWER CONTROL HARNESS	1	EA	

LOWER DOOR ASSEMBLY

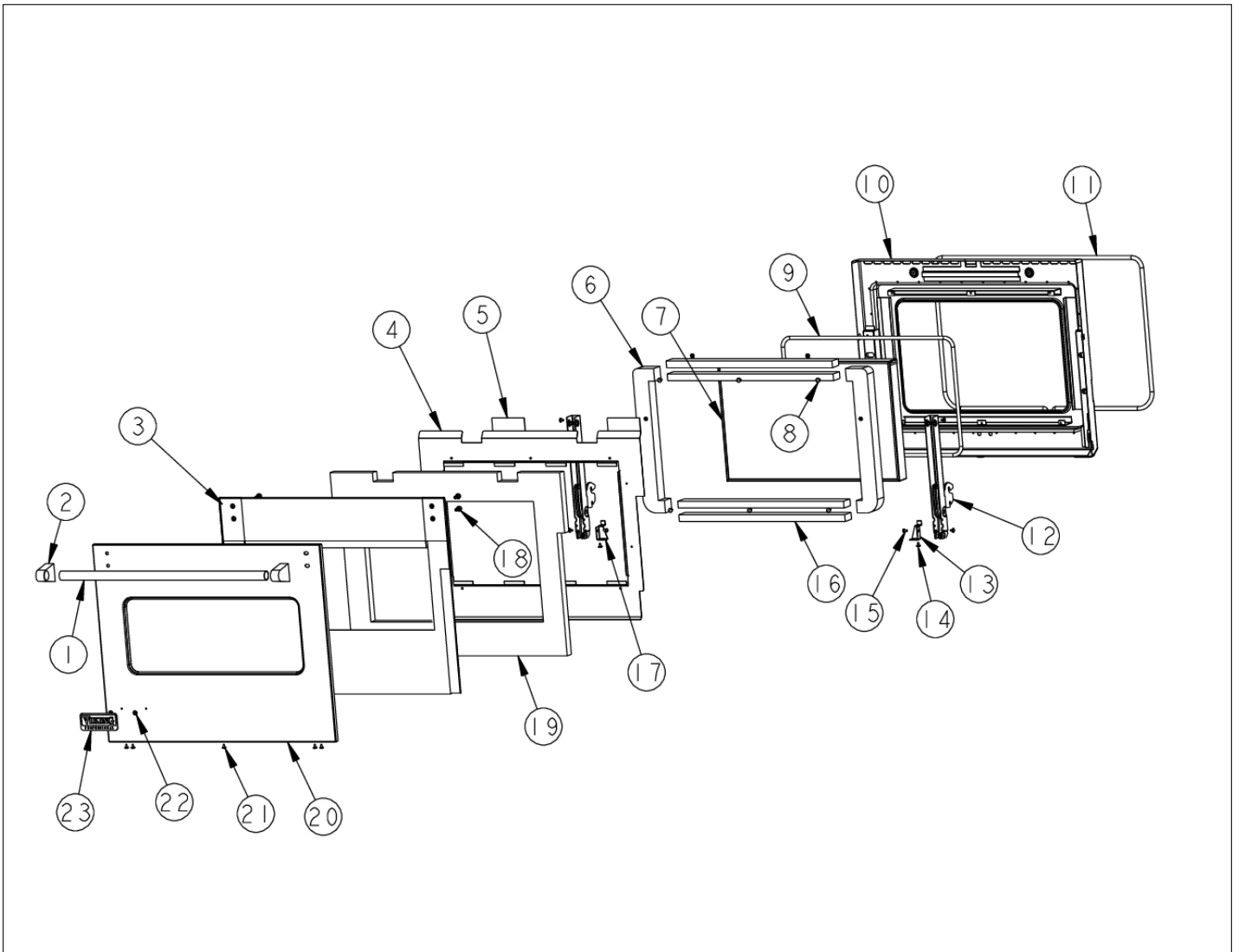




Item	Part No.	Name	Qty	Uom	NOTES
1	PE030178	27" PROF. DOOR HANDLE	1	EA	
Not Shown	PE030178PVD	27" PROF. DOOR HANDLE *PVD*	1	EA	Not available online / Call for pricing and availability
2	000268-000	HANDLE ENDCAP	1	EA	
Not Shown	PE030001PVD	END CAP DOOR HANDLE *BR	1	EA	
3	001501-000	Pro 27" Insulation Retainer Kit (After 7-17-06)	1	EA	NO LONGER AVAILABLE
Not Shown	NOTE	(After 07/17/06)		EA	
NI	001503-000	PRO 27" INSULATION RETAINER (BEFORE 7/17/06)	1	EA	NO LONGER AVAILABLE, Not available online / Call for pricing and availability
Not Shown	NOTE	(Before 07/17/06)		EA	
4	A20010949	PANEL, INSULATION, INNNER DOOR	1	EA	
5	PB070336	Door Bracket Insulation	1	EA	
6	PB070271	DOOR PLUG INSULATION	1	EA	
7	PE060093	27" WINDOW PACK	1	EA	
8	PD020002	10 X 1/2 PH TR HD SMS	1	EA	
9	000594-000	BLACK FIBERGLASS ROPE 3/8	1	EA	
10	G91010942	DOOR LINER PORC.	1	EA	
<p>Comments for Part Num. G91010942</p> <p>gboltz@VikingRange.com on Jun 7, 2016  Correct part number is G91019042BK</p>					
11	PB070245	27" DOOR GASKET	1	EA	
12	023798-000	HINGE, MANSFIELD, WHITE	1	EA	
13	A20012640	HINGE SUPPORT RH	1	EA	
14	PD020063	SCREW-#8(A) X 3/8"PH WFR HD/BK OXID	1	EA	
15	PD020004	10X3/8PH.HD.TYPE 25 REPL PD040125	1	EA	
16	PB070273	Window Pack Insulation	1	EA	
17	A20012641	HINGE SUPPORT LH	1	EA	



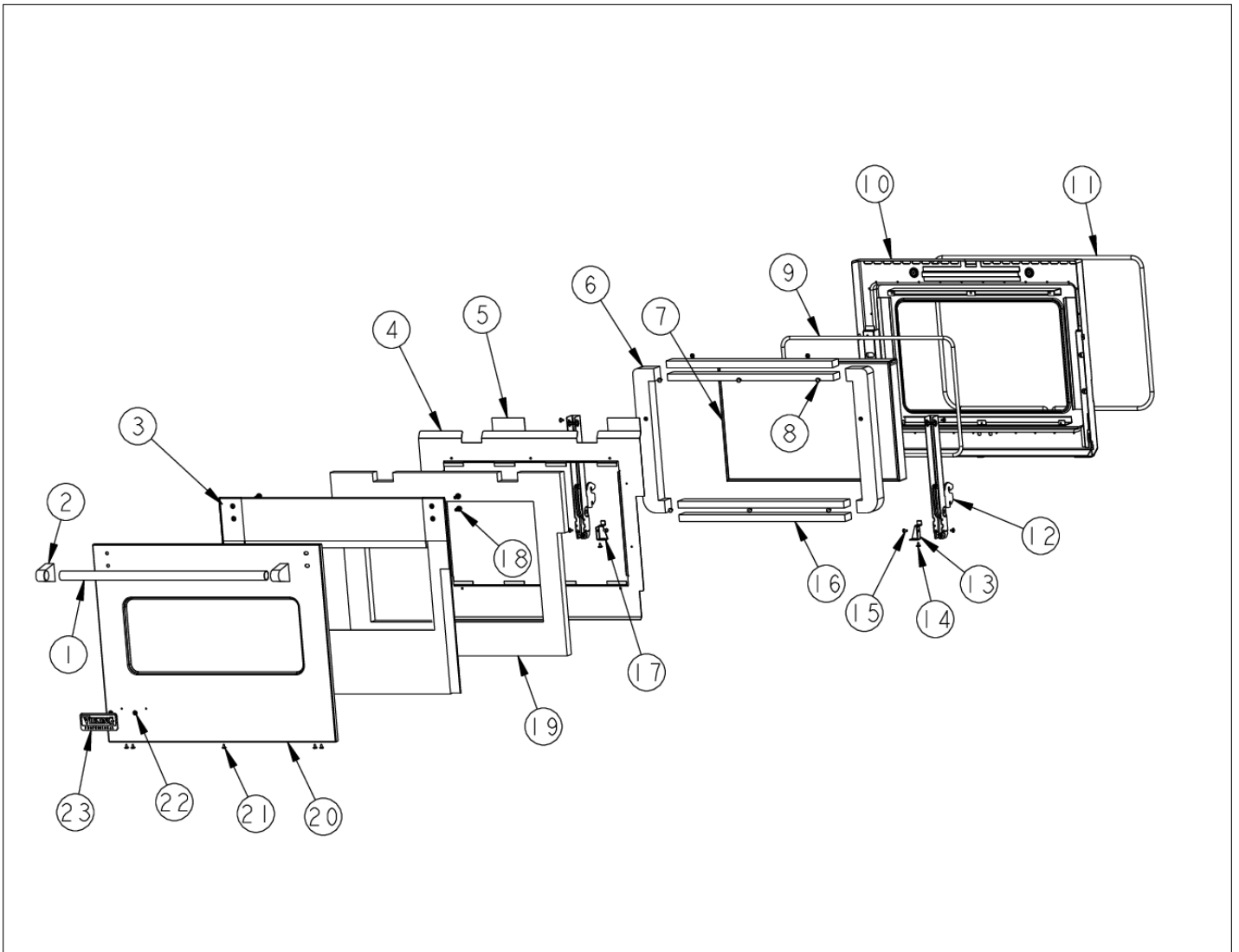
Item	Part No.	Name	Qty	Uom	NOTES
18	PD020186	1/4"-20 X 3/4" HEX WASHER HEAD MS	1	EA	Not available online / Call for pricing and availability
19	PB070276	27" DOOR INSULATION	1	EA	
20	PS500014AL	27" PRO DOOR SKIN SERVICE KIT W/LOGO AFTER 07/17/06 - AL AL	1	EA	NO LONGER AVAILABLE, Not available online / Call for pricing and availability
20	PS500014ALBR	27" PRO DOOR SKIN SERVICE KIT W/LOGO AFTER 07/17/06 - AL/BR	1	EA	NO LONGER AVAILABLE
20	PS500014BK	27" PRO DOOR SKIN SERVICE KIT W/LOGO AFTER 07/17/06 - BK	1	EA	Not available online / Call for pricing and availability
20	PS500014BKBR	27" PRO DOOR SKIN SERVICE KIT W/LOGO AFTER 07/17/06 - BK/BR	1	EA	NO LONGER AVAILABLE, Not available online / Call for pricing and availability
20	PS500014BT	27" PRO DOOR SKIN SERVICE KIT W/LOGO AFTER 07/17/06 - BT	1	EA	
20	PS500014BTBR	27" PRO DOOR SKIN SERVICE KIT W/LOGO AFTER 07/17/06 - BT/BR	1	EA	NO LONGER AVAILABLE, Not available online / Call for pricing and availability
20	PS500014BU	27" PRO DOOR SKIN SERVICE KIT W/LOGO AFTER 07/17/06 - BU	1	EA	
20	PS500014BUBR	27" PRO DOOR SKIN SERVICE KIT W/LOGO AFTER 07/17/06 - BU/BR	1	EA	NO LONGER AVAILABLE, Not available online / Call for pricing and availability
20	PS500014CB	27" PRO DOOR SKIN SERVICE KIT W/LOGO AFTER 07/17/06 - CB	1	EA	NO LONGER AVAILABLE, Not available online / Call for pricing and availability
20	PS500014CBBR	27" PRO DOOR SKIN SERVICE KIT W/LOGO AFTER 07/17/06 - CB/BR	1	EA	NO LONGER AVAILABLE, Not available online / Call for pricing and availability
20	PS500014EP	27" PRO DOOR SKIN SERVICE KIT W/LOGO AFTER 07/17/06 - EP	1	EA	NO LONGER AVAILABLE, Not available online / Call for pricing and availability





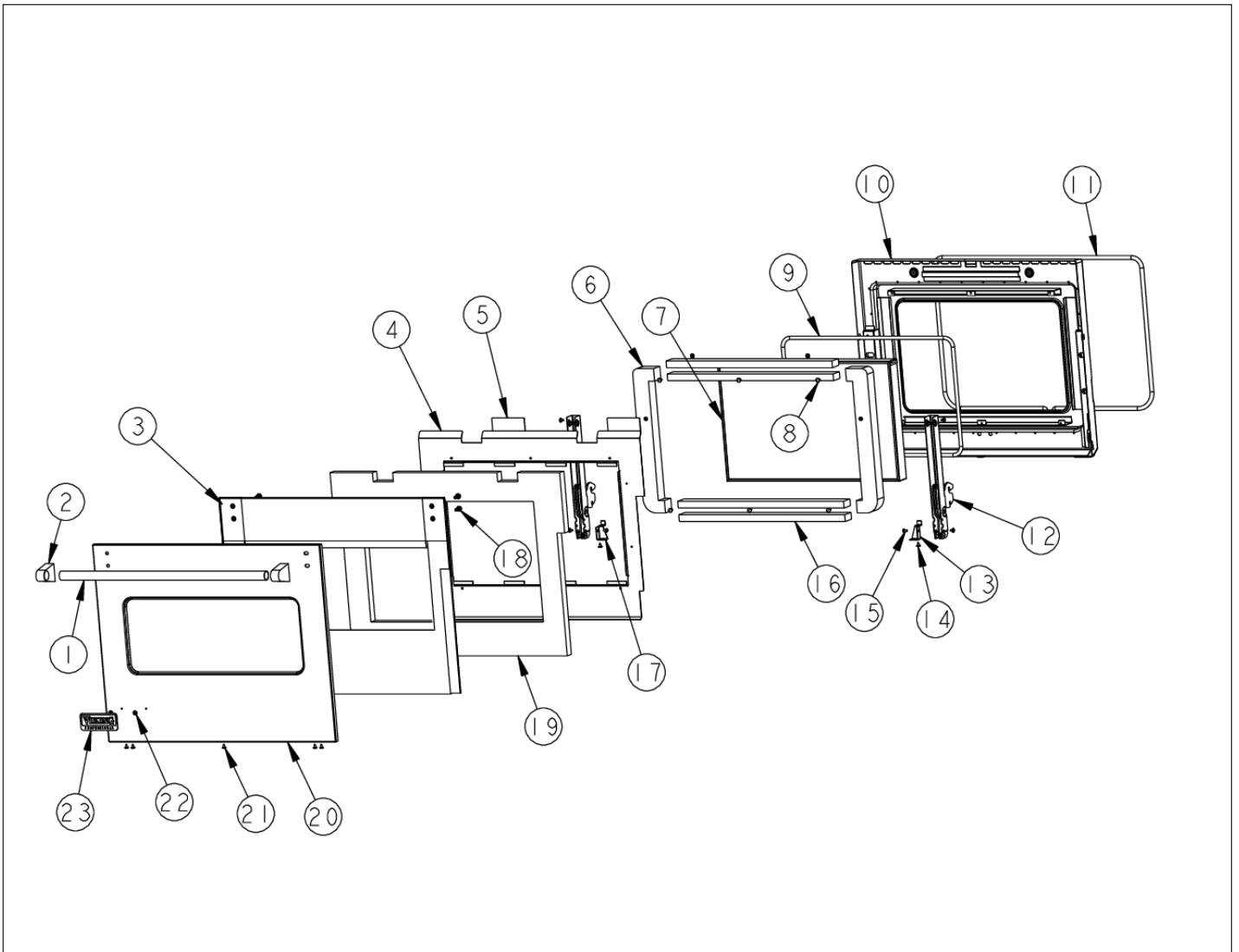


Item	Part No.	Name	Qty	Uom	NOTES
20	PS500014EPBR	27" PRO DOOR SKIN SERVICE KIT W/LOGO AFTER 07/17/06-EP/BR	1	EA	NO LONGER AVAILABLE, Not available online / Call for pricing and availability
20	PS500014FG	27" PRO DOOR SKIN SERVICE KIT W/LOGO AFTER 07/17/06 - FG	1	EA	NO LONGER AVAILABLE, Not available online / Call for pricing and availability
20	PS500014FGBR	27" PRO DOOR SKIN SERVICE KIT W/LOGO AFTER 07/17/06-FG/BR	1	EA	NO LONGER AVAILABLE, Not available online / Call for pricing and availability
20	PS500014GG	27" PRO DOOR SKIN SERVICE KIT W/LOGO AFTER 07/17/06 - GG	1	EA	NO LONGER AVAILABLE, Not available online / Call for pricing and availability
20	PS500014GGBR	27" PRO DOOR SKIN SERVICE KIT W/LOGO AFTER 07/17/06-GG/BR	1	EA	NO LONGER AVAILABLE, Not available online / Call for pricing and availability
20	PS500014LE	27" PRO DOOR SKIN SERVICE KIT W/LOGO AFTER 07/17/06 - LE	1	EA	
20	PS500014LEBR	27" PRO DOOR SKIN SERVICE KIT W/LOGO AFTER 07/17/06-LE/BR	1	EA	NO LONGER AVAILABLE, Not available online / Call for pricing and availability
20	PS500014MJ	27" PRO DOOR SKIN SERVICE KIT W/LOGO AFTER 07/17/06 - MJ	1	EA	NO LONGER AVAILABLE, Not available online / Call for pricing and availability
20	PS500014MJBR	27" PRO DOOR SKIN SERVICE KIT W/LOGO AFTER 07/17/06-MJ/BR	1	EA	NO LONGER AVAILABLE, Not available online / Call for pricing and availability
20	PS500014SG	27" PRO DOOR SKIN SERVICE KIT W/LOGO AFTER 07/17/06 - SG	1	EA	NO LONGER AVAILABLE, Not available online / Call for pricing and availability
20	PS500014SGBR	27" PRO DOOR SKIN SERVICE KIT W/LOGO AFTER 07/17/06-SG/BR	1	EA	NO LONGER AVAILABLE, Not available online / Call for pricing and availability

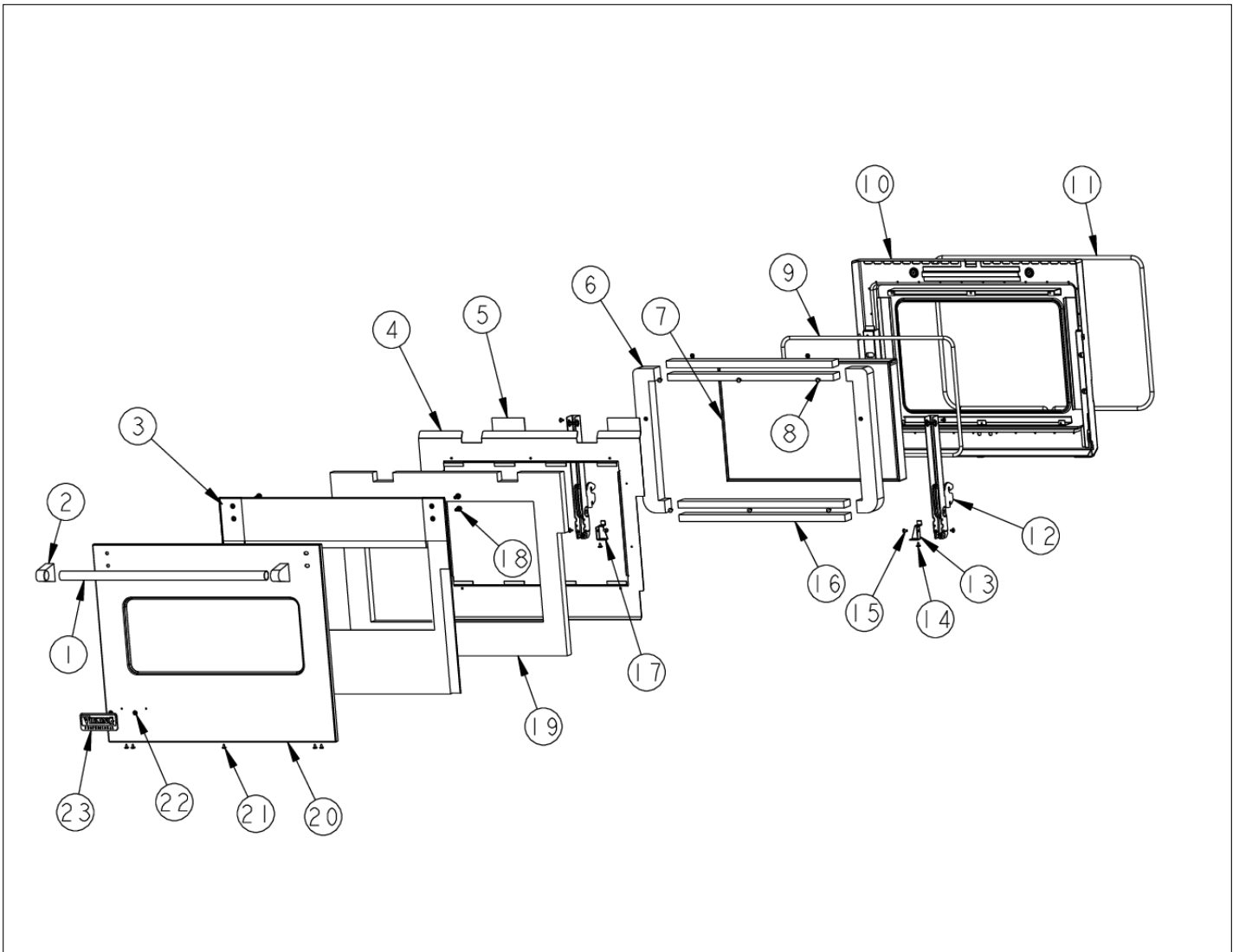




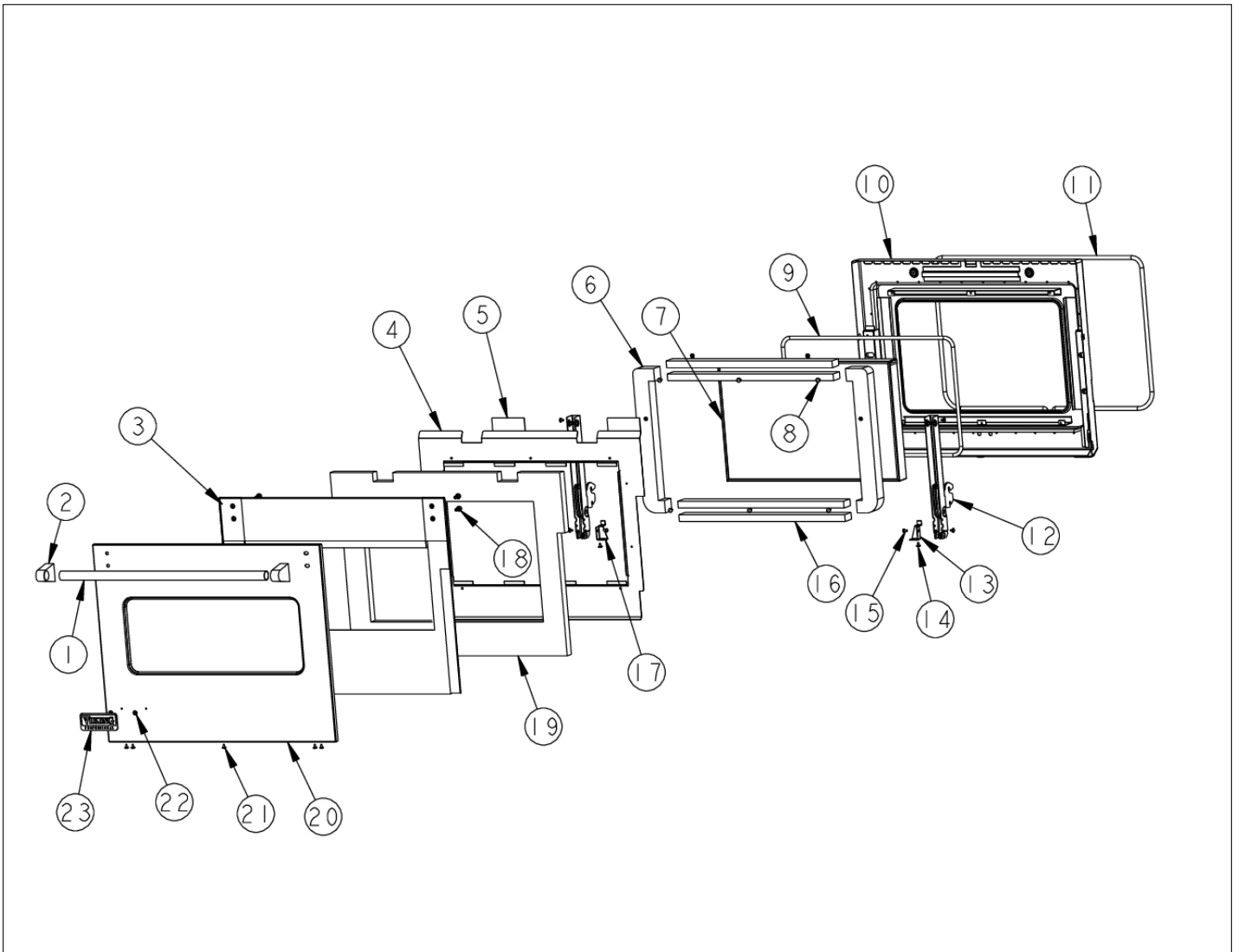
Item	Part No.	Name	Qty	Uom	NOTES
20	PS500014SS	27" PRO DOOR SKIN SERVICE KIT W/LOGO AFTER 07/17/06 - SS	1	EA	
20	PS500014SSBR	27" PRO DOOR SKIN SERVICE KIT W/LOGO AFTER 07/17/06-SS/BR	1	EA	NO LONGER AVAILABLE, Not available online / Call for pricing and availability
20	PS500014VB	27" PRO DOOR SKIN SERVICE KIT W/LOGO AFTER 07/17/06 - VB	1	EA	NO LONGER AVAILABLE, Not available online / Call for pricing and availability
20	PS500014VBBR	27" PRO DOOR SKIN SERVICE KIT W/LOGO AFTER 07/17/06 - VB/BR	1	EA	NO LONGER AVAILABLE, Not available online / Call for pricing and availability
20	PS500014WH	27" PRO DOOR SKIN SERVICE KIT W/LOGO AFTER 07/17/06 - WH	1	EA	
20	PS500014WHBR	27" PRO DOOR SKIN SERVICE KIT W/LOGO AFTER 07/17/06 - WH/BR	1	EA	NO LONGER AVAILABLE
20	PS500018AL	27" PRO DOOR SKIN SERVICE KIT W/LOGO BEFORE 07/17/06 - AL	1	EA	NO LONGER AVAILABLE, Not available online / Call for pricing and availability
20	PS500018ALBR	27" PRO DOOR SKIN SRV KIT W/LOGO BEFORE 07/17/06 - AL/BR	1	EA	NO LONGER AVAILABLE, Not available online / Call for pricing and availability
20	PS500018BK	27" PRO DOOR SKIN SRV KIT W/LOGO BEFORE 07/17/06 - BK	1	EA	NO LONGER AVAILABLE
20	PS500018BKBR	27" PRO DOOR SKIN SRV KIT W/LOGO BEFORE 07/17/06 - BK/BR	1	EA	NO LONGER AVAILABLE, Not available online / Call for pricing and availability
20	PS500018BT	27" PRO DOOR SKIN SERVICE KIT W/LOGO BEFORE 07/17/06 - BT	1	EA	NO LONGER AVAILABLE, Not available online / Call for pricing and availability
20	PS500018BTBR	27" PRO DOOR SKIN SERVICE KIT W/LOGO BEFORE 07/17/06 - BT/BR	1	EA	NO LONGER AVAILABLE, Not available online / Call for pricing and availability



Item	Part No.	Name	Qty	Uom	NOTES
20	PS500018BU	27" PRO DOOR SKIN SERVICE KIT W/LOGO BEFORE 07/17/06 - BU	1	EA	NO LONGER AVAILABLE, Not available online / Call for pricing and availability
20	PS500018BUBR	27" PRO DOOR SKIN SERVICE KIT W/LOGO BEFORE 07/17/06 - BU/BR	1	EA	NO LONGER AVAILABLE, Not available online / Call for pricing and availability
20	PS500018CB	27" PRO DOOR SKIN SERVICE KIT W/LOGO BEFORE 07/17/06 - CB	1	EA	NO LONGER AVAILABLE, Not available online / Call for pricing and availability
20	PS500018CBBR	27" PRO DOOR SKIN SERVICE KIT W/LOGO BEFORE 07/17/06 - CB/BR	1	EA	NO LONGER AVAILABLE, Not available online / Call for pricing and availability
20	PS500018EP	27" PRO DOOR SKIN SERVICE KIT W/LOGO BEFORE 07/17/06 - EP	1	EA	NO LONGER AVAILABLE, Not available online / Call for pricing and availability
20	PS500018EPBR	27" PRO DOOR SKIN SERVICE KIT W/LOGO BEFORE 07/17/06 - EP/BR	1	EA	NO LONGER AVAILABLE, Not available online / Call for pricing and availability
20	PS500018FG	27" PRO DOOR SKIN SERVICE KIT W/LOGO BEFORE 07/17/06 - FG	1	EA	NO LONGER AVAILABLE, Not available online / Call for pricing and availability
20	PS500018FGBR	27" PRO DOOR SKIN SERVICE KIT W/LOGO BEFORE 07/17/06 - FG/BR	1	EA	NO LONGER AVAILABLE, Not available online / Call for pricing and availability
20	PS500018GG	27" PRO DOOR SKIN SERVICE KIT W/LOGO BEFORE 07/17/06 - GG	1	EA	NO LONGER AVAILABLE, Not available online / Call for pricing and availability
20	PS500018GGBR	27" PRO DOOR SKIN SERVICE KIT W/LOGO BEFORE 07/17/06 - GG/BR	1	EA	NO LONGER AVAILABLE, Not available online / Call for pricing and availability
20	PS500018LE	27" PRO DOOR SKIN SERVICE KIT W/LOGO BEFORE 07/17/06 - LE	1	EA	NO LONGER AVAILABLE, Not available online / Call for pricing and availability



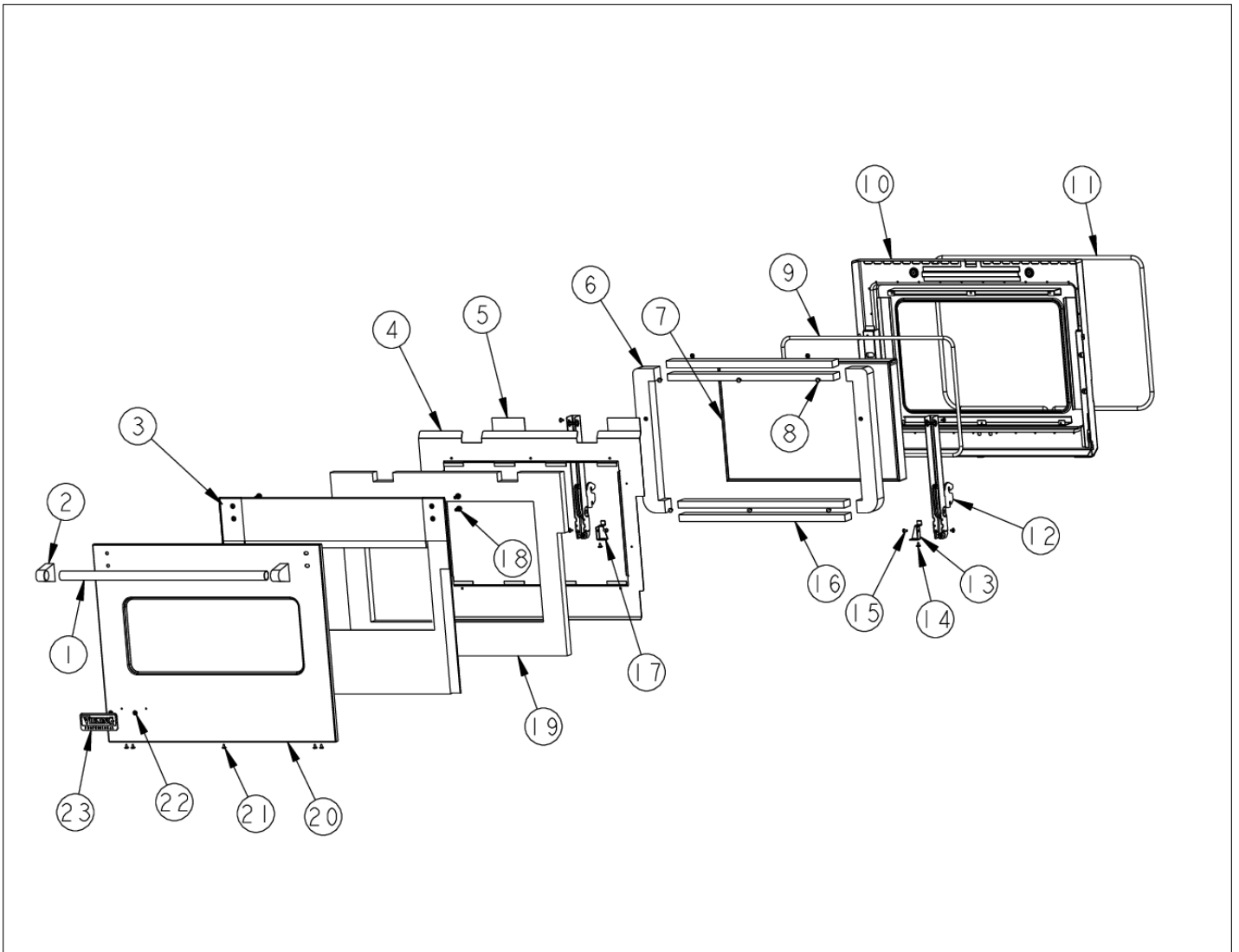
Item	Part No.	Name	Qty	Uom	NOTES
20	PS500018LEBR	27" PRO DOOR SKIN SERVICE KIT W/LOGO BEFORE 07/17/06 - LE/BR	1	EA	NO LONGER AVAILABLE, Not available online / Call for pricing and availability
20	PS500018MJ	27" PRO DOOR SKIN SERVICE KIT W/LOGO BEFORE 07/17/06 - MJ	1	EA	NO LONGER AVAILABLE, Not available online / Call for pricing and availability
20	PS500018MJBR	27" PRO DOOR SKIN SERVICE KIT W/LOGO BEFORE 07/17/06 - MJ/BR	1	EA	NO LONGER AVAILABLE, Not available online / Call for pricing and availability
20	PS500018SG	27" PRO DOOR SKIN SERVICE KIT W/LOGO BEFORE 07/17/06 - SG	1	EA	NO LONGER AVAILABLE, Not available online / Call for pricing and availability
20	PS500018SGBR	27" PRO DOOR SKIN SERVICE KIT W/LOGO BEFORE 07/17/06 - SG/BR	1	EA	NO LONGER AVAILABLE, Not available online / Call for pricing and availability
20	PS500018SS	27" PRO DOOR SKIN SERVICE KIT W/LOGO BEFORE 07/17/06 - SS	1	EA	Not available online / Call for pricing and availability
20	PS500018SSBR	27" PRO DOOR SKIN SERVICE KIT W/LOGO BEFORE 07/17/06 - SS/BR	1	EA	NO LONGER AVAILABLE, Not available online / Call for pricing and availability
20	PS500018VB	27" PRO DOOR SKIN SERVICE KIT W/LOGO BEFORE 07/17/06 - VB	1	EA	NO LONGER AVAILABLE, Not available online / Call for pricing and availability
20	PS500018VBBR	27" PRO DOOR SKIN SERVICE KIT W/LOGO BEFORE 07/17/06 - VB/BR	1	EA	NO LONGER AVAILABLE, Not available online / Call for pricing and availability
20	PS500018WH	27" PRO DOOR SKIN SERVICE KIT W/LOGO BEFORE 07/17/06 - WH	1	EA	NO LONGER AVAILABLE
20	PS500018WHBR	27" PRO DOOR SKIN SERVICE KIT W/LOGO BEFORE 07/17/06 - WH/BR	1	EA	NO LONGER AVAILABLE, Not available online / Call for pricing and availability
21	PD020032	SRW-8(A)X3/8"PH.WFR HD 7/16DIA*NICL	1	EA	





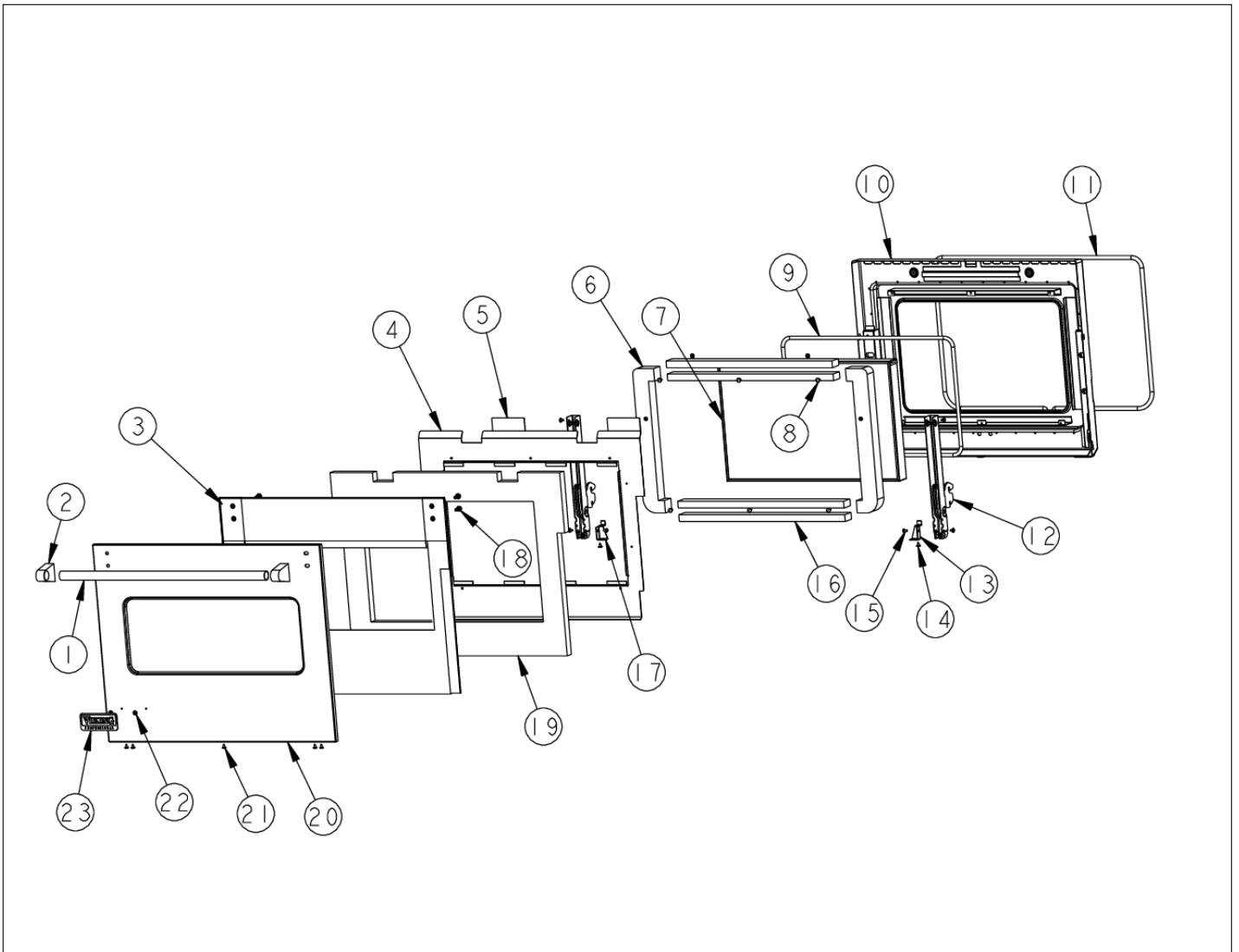


Item	Part No.	Name	Qty	Uom	NOTES
22	PD030006	CAPPED WASHER PAL NUT	1	EA	
23	PE010016	LOGO (ALL RANGES) *BK/CHR 307997W	1	EA	
23	PE010017	LOGO (VGSQ,VEDO,VGDO,VUD) *WH/CHR	1	EA	
23	PE010079	4.5" LOGO/VIKING PROF *BK/BR	1	EA	
23	PE010080	4.5" LOGO/VIKING PROF *WH/BR	1	EA	
NI	G32012719AL	27" DOOR ASSY W/LOGO *AL*	1	EA	NO LONGER AVAILABLE, Not available online / Call for pricing and availability
NI	G32012719ALBR	COMPLETE DOOR ASSY. - ALBR	1	EA	
NI	G32012719BK	27" DOOR ASSY W/LOGO *BK*	1	EA	Not available online / Call for pricing and availability
NI	G32012719BKBR	27" DOOR ASSY W/LOGO *BKBR*	1	EA	NO LONGER AVAILABLE, Not available online / Call for pricing and availability
NI	G32012719BT	27" DOOR ASSY W/LOGO *BT*	1	EA	NO LONGER AVAILABLE
NI	G32012719BTBR	27" DOOR ASSY W/LOGO *BTBR*	1	EA	NO LONGER AVAILABLE, Not available online / Call for pricing and availability
NI	G32012719BU	27" DOOR ASSY W/LOGO *BU*	1	EA	NO LONGER AVAILABLE, Not available online / Call for pricing and availability
NI	G32012719BUBR	27" DOOR ASSY W/LOGO *BUBR*	1	EA	NO LONGER AVAILABLE, Not available online / Call for pricing and availability
NI	G32012719CB	27" DOOR ASSY W/LOGO *CB*	1	EA	NO LONGER AVAILABLE, Not available online / Call for pricing and availability





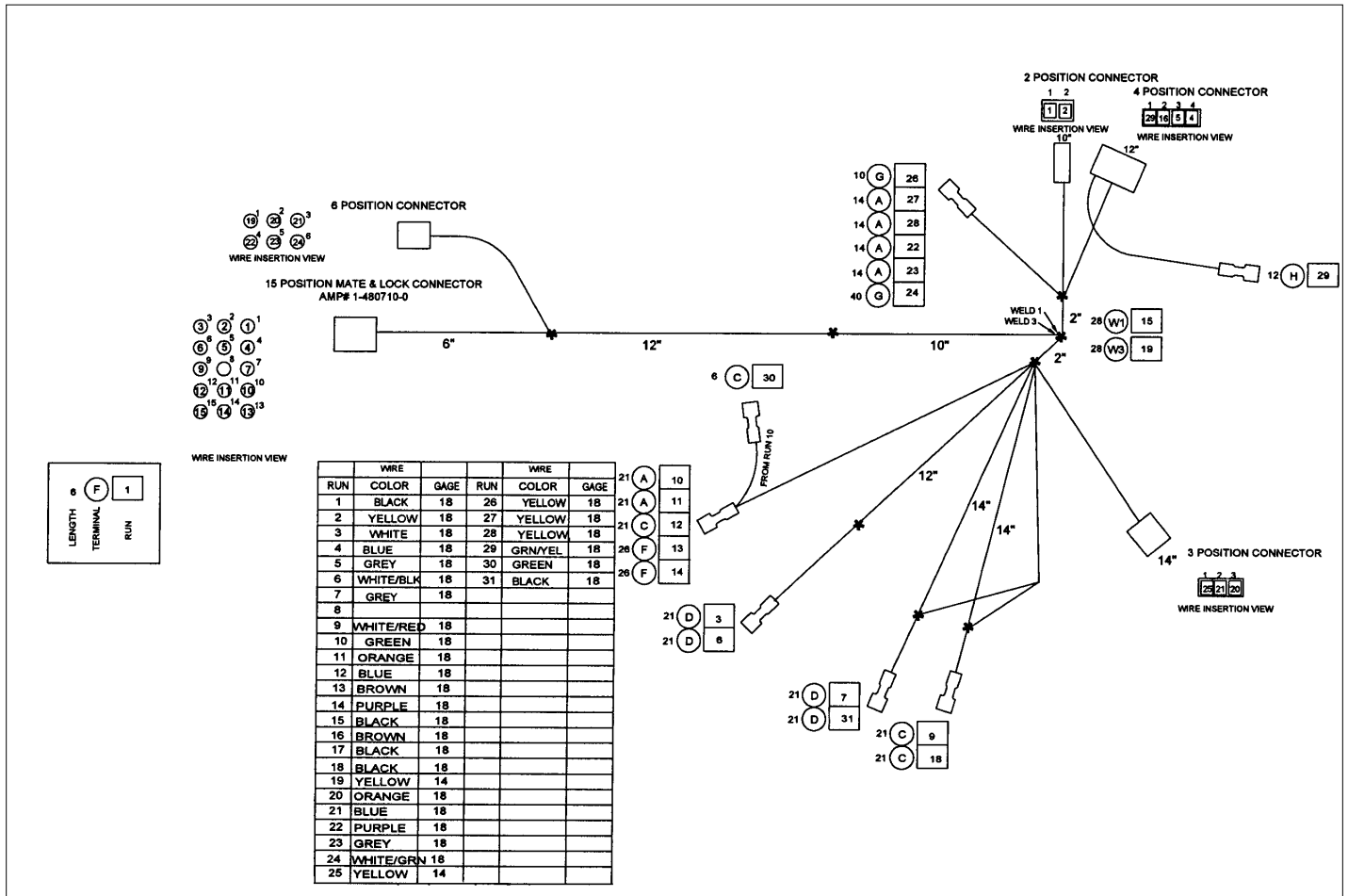
Item	Part No.	Name	Qty	Uom	NOTES
NI	G32012719CBBR	27" DOOR ASSY W/LOGO *CBBR*	1	EA	NO LONGER AVAILABLE, Not available online / Call for pricing and availability
NI	PS500014CW	27" PRO DOOR SKIN SERVICE KIT W/LOGO AFTER 07/17/06 - CW	1	EA	
NI	PS500016CW	27" PRO DOOR SKIN SVC KIT W/O LOGO AFTER 07/17/06 - CW	1	EA	
NI	G32012719EP	27" DOOR ASSY W/LOGO *EP*	1	EA	NO LONGER AVAILABLE, Not available online / Call for pricing and availability
NI	G32012719EPBR	27" DOOR ASSY W/LOGO *EPBR*	1	EA	NO LONGER AVAILABLE, Not available online / Call for pricing and availability
NI	G32012719FG	27" DOOR ASSY W/LOGO *FG*	1	EA	NO LONGER AVAILABLE, Not available online / Call for pricing and availability
NI	G32012719FGBR	27" DOOR ASSY W/LOGO *FGBR*	1	EA	NO LONGER AVAILABLE, Not available online / Call for pricing and availability
NI	G32012719GG	27" DOOR ASSY W/LOGO *GG*	1	EA	NO LONGER AVAILABLE, Not available online / Call for pricing and availability
NI	G32012719GGBR	27" DOOR ASSY W/LOGO *GGBR*	1	EA	
NI	G32012719LE	27" DOOR ASSY W/LOGO *LE*	1	EA	NO LONGER AVAILABLE, Not available online / Call for pricing and availability
NI	G32012719LEBR	27" DOOR ASSY W/LOGO *LEBR*	1	EA	NO LONGER AVAILABLE, Not available online / Call for pricing and availability
NI	G32012719MJ	27" DOOR ASSY W/LOGO *MJ*	1	EA	NO LONGER AVAILABLE, Not available online / Call for pricing and availability





Item	Part No.	Name	Qty	Uom	NOTES
NI	G32012719MJBR	27" DOOR ASSY W/LOGO *MJBR*	1	EA	NO LONGER AVAILABLE, Not available online / Call for pricing and availability
NI	G32012719SG	27" DOOR ASSY W/LOGO *SG*	1	EA	NO LONGER AVAILABLE, Not available online / Call for pricing and availability
NI	G32012719SGBR	27" DOOR ASSY W/LOGO *SGBR*	1	EA	NO LONGER AVAILABLE, Not available online / Call for pricing and availability
NI	G32012719SS	27" DOOR ASSY W/LOGO	1	EA	
NI	G32012719SSBR	27" DOOR ASSY W/LOGO *SSBR*	1	EA	NO LONGER AVAILABLE
NI	G32012719VB	27" DOOR ASSY W/LOGO *VB*	1	EA	NO LONGER AVAILABLE, Not available online / Call for pricing and availability
NI	G32012719VBBR	27" DOOR ASSY W/LOGO *VBBR*	1	EA	NO LONGER AVAILABLE, Not available online / Call for pricing and availability
NI	G32012719WH	27" DOOR ASSY W/LOGO *WH*	1	EA	
NI	G32012719WHBR	27" DOOR ASSY W/LOGO *WHBR*	1	EA	NO LONGER AVAILABLE, Not available online / Call for pricing and availability
NI	017736-000	WINDOW PACK INSULATION KIT	1	EA	

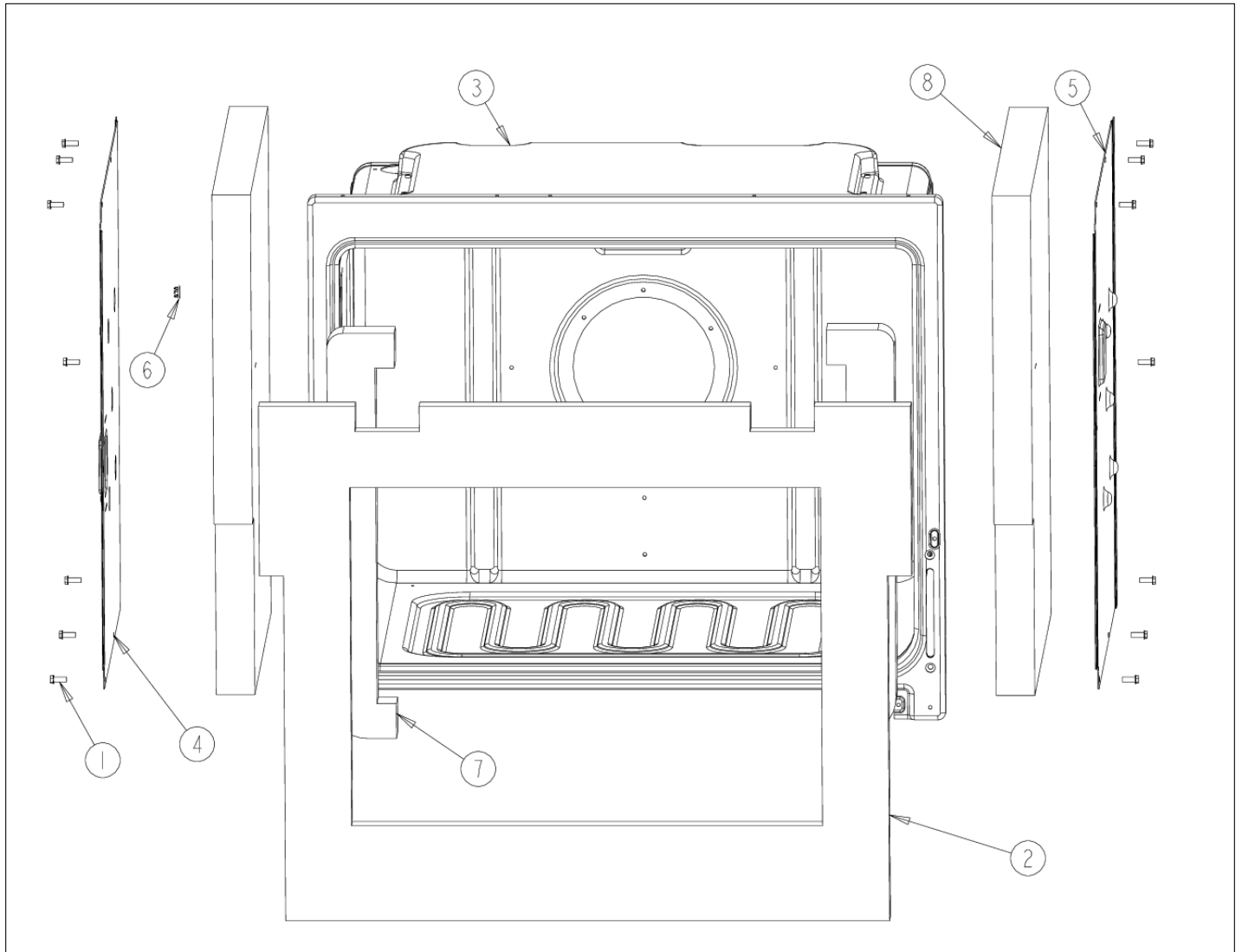
LOWER LATCH HARNESS





Item	Part No.	Name	Qty	Uom	NOTES
1	PE070740	LOWER LATCH HARNESS	1	EA	

LOWER OVEN CAVITY EXTERIOR

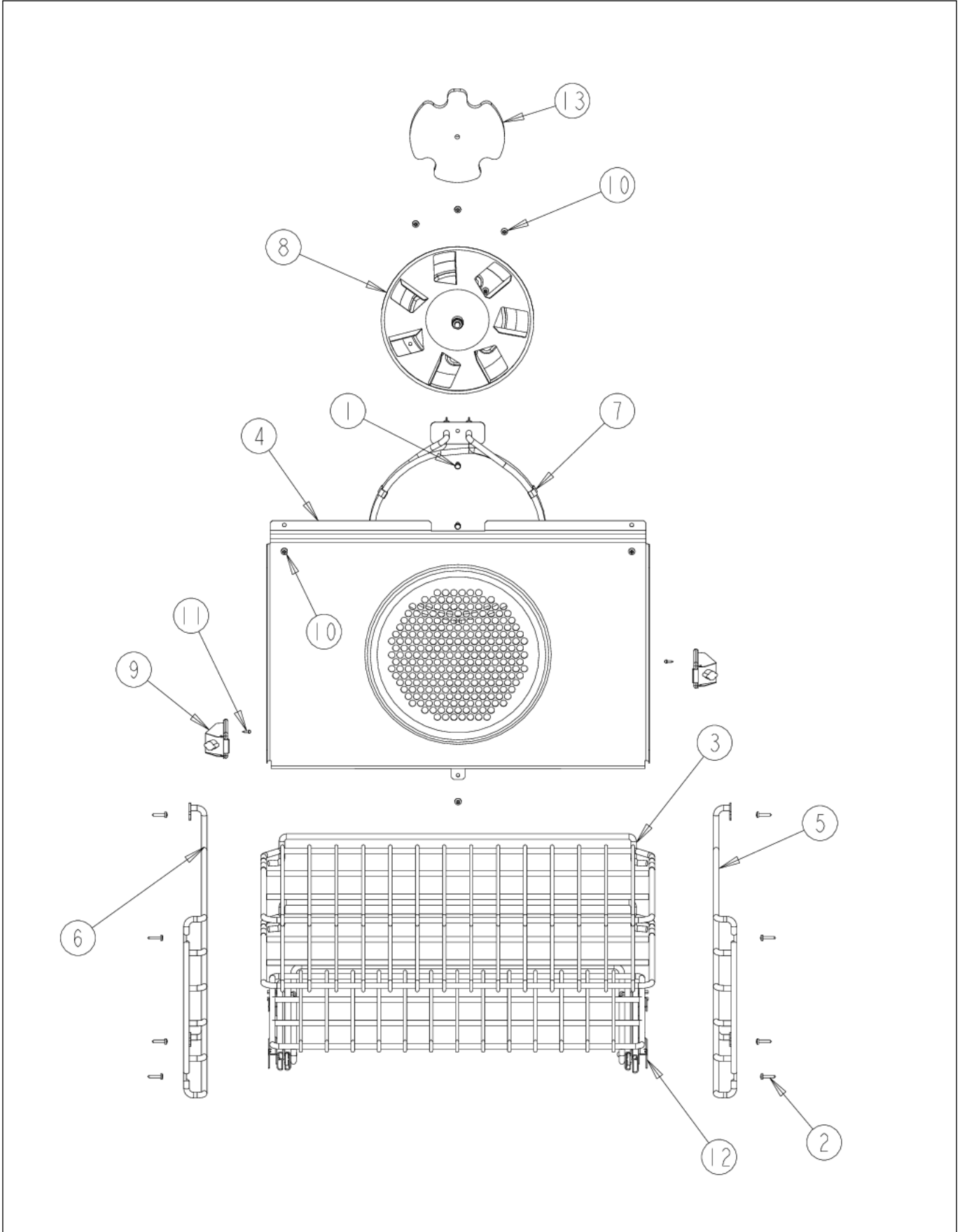






Item	Part No.	Name	Qty	Uom	NOTES
1	PD020060	10 X 1/2" (5/16)HEX WSHER HD.(T)A	1	EA	
2	PB070276	27" DOOR INSULATION	1	EA	
3	G91014042	27" PREMIERE CAVITY ASSY	1	EA	
4	A20012650	BRKT, TOP WRAPPER LEFT	1	EA	Not available online / Call for pricing and availability
5	A2009622	BRKT, TOP WRAPPER, RIGHT	1	EA	Not available online / Call for pricing and availability
6	E91014053	PORCELAIN 25/64" HOLE PLUG	1	EA	Not available online / Call for pricing and availability
7	PB070271	DOOR PLUG INSULATION	1	EA	
8	PB070302	SIDE INSULATION	1	EA	

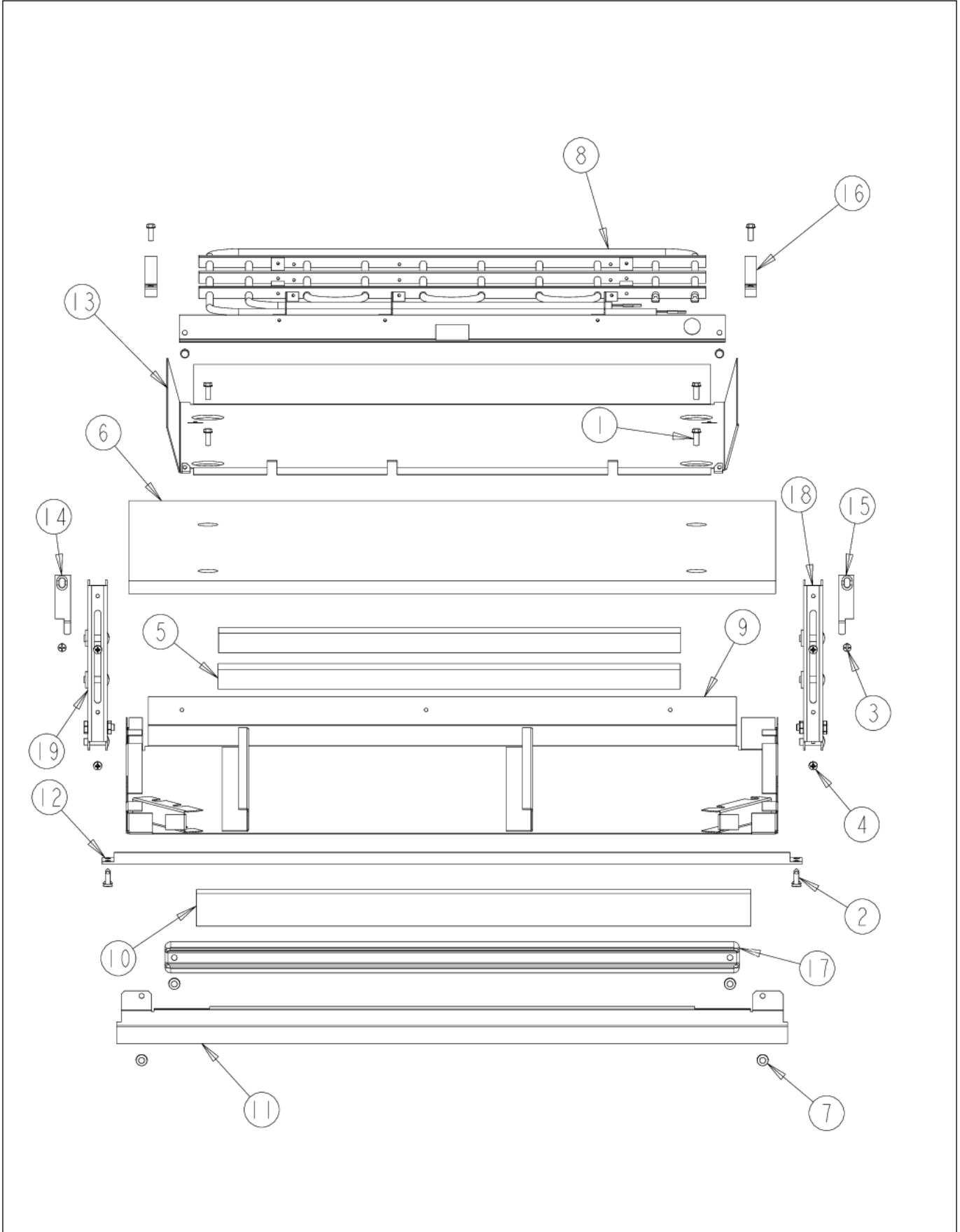
LOWER OVEN CAVITY INTERIOR





Item	Part No.	Name	Qty	Uom	NOTES
1	PD020060	10 X 1/2" (5/16)HEX WSHER HD.(T)A	1	EA	
2	PD020232	NO.8 X 3/4 PH PAN HEAD TEK SCREW (BLACK OXIDE)	1	EA	
3	041045-000	27" OVEN RACK	1	EA	
4	G91013597	27" BAFFLE ASSEMBLY	1	EA	
5	PB060103	RACK SUPPORT RH	1	EA	
6	PB060104	RACK SUPPORT LH	1	EA	
7	PJ010047	CONVECTION ELEMENT	1	EA	
8	G32014020	CONVECTION FAN ASSY	1	EA	
9	PE050056	OVEN LIGHT ASSY 12V/5W	1	EA	
Not Shown	NOTE	(BEFORE SERIAL # C-0396)		EA	
NI	005311-000	LAMP, OVEN, 120V/25W	1	EA	
Not Shown	NOTE	(AFTER SERIAL # C-0396)		EA	
10	PD020055	#10 X 1/2" PAN PHIL. TEK. SS	1	EA	
11	PD020013	TYPE "AB" #6 X 3/8 PH PAN HD. SMS	1	EA	
12	024737-000	27" SLIDING OVEN RACK	1	EA	
13	PB070312	CONVECTION MOTOR MTG. PLATE INSULATION	1	EA	
NI	001097-000	FAN MOTOR JUMPER	1	EA	

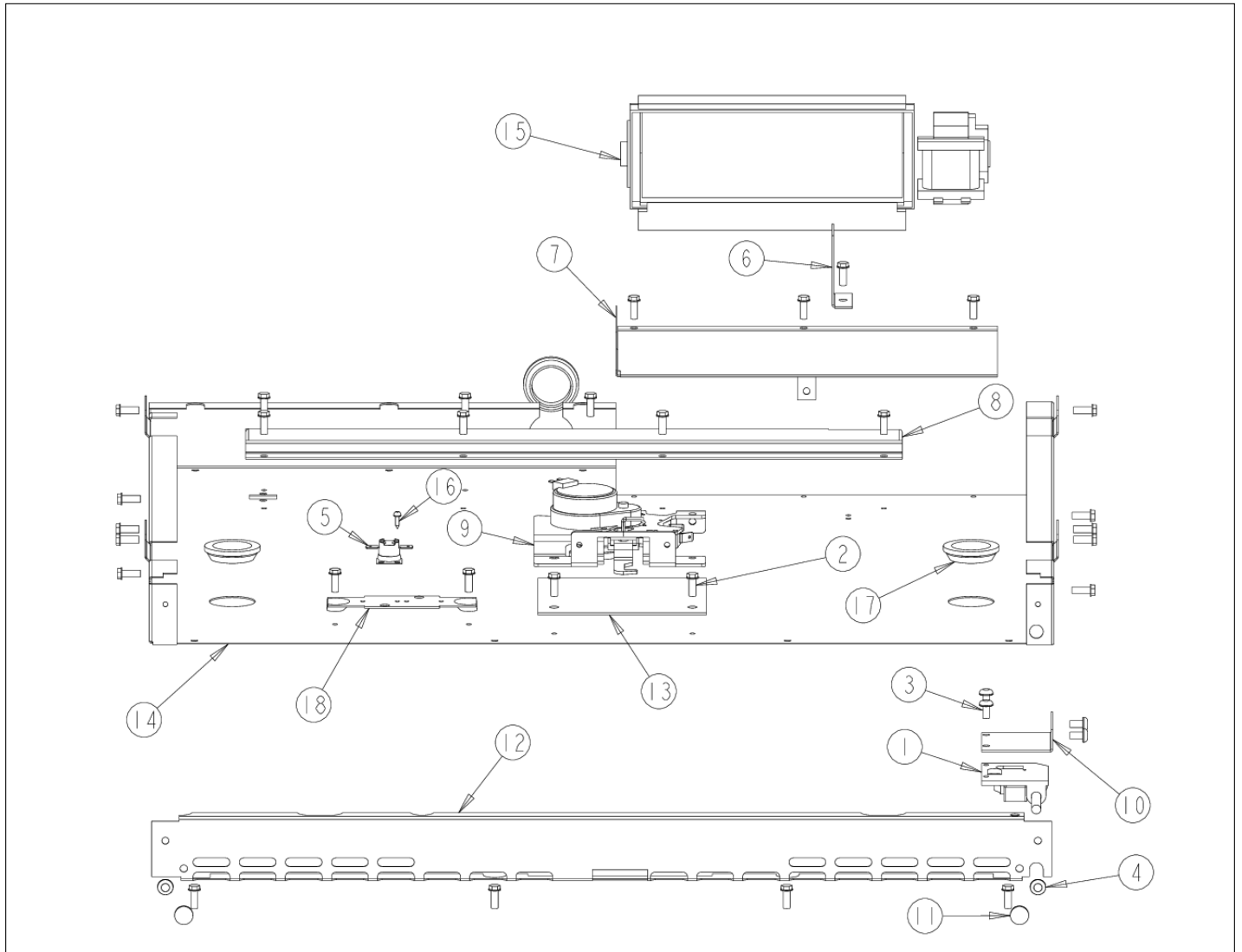
LOWER OVEN LOWER AREA





Item	Part No.	Name	Qty	Uom	NOTES
1	PD020060	10 X 1/2" (5/16)HEX WSHER HD.(T)A	1	EA	
2	PD020045	' #8 X 1/2" PH FLAT TEK (ZINC)	1	EA	
3	PD020061	SCREW	1	EA	
4	PD020062	#8-32 X 3/8 PHMS TYPE 1	1	EA	
5	PB070273	Window Pack Insulation	1	EA	
6	PB070300	27" BOTTOM INSULATION	1	EA	NO LONGER AVAILABLE, Not available online / Call for pricing and availability
7	PD020063	SCREW-#8(A) X 3/8"PH WFR HD/BK OXID	1	EA	
8	PJ010048	BAKE ELEMENT	1	EA	
9	G30010922	BASE MODULE ASSY 27	1	EA	
10	PB070309	BAKE ELEMENT INSULATION	1	EA	
11	C90010956BK	BOTTOM AIR DEFLECTOR 27"	1	EA	
12	PE040272	27" PROF. BOTTOM TRIM	1	EA	
13	A20010932	ELEMENT, MTG TRAY	1	EA	
14	B21010916	LH HINGE CLIP	1	EA	
15	B21010915	RH HINGE CLIP	1	EA	
16	A2009696	HOLDER, BAKE ELEMENT	1	EA	
17	E9109655	COVER, BAKE TRAY	1	EA	
18	PC020221	HINGE POCKET RECEIVER MANSFIELD RH	1	EA	
19	PC020247	HINGE POCKET RECEIVER MANSFIELD LH	1	EA	

MIDDLE UNIT AREA





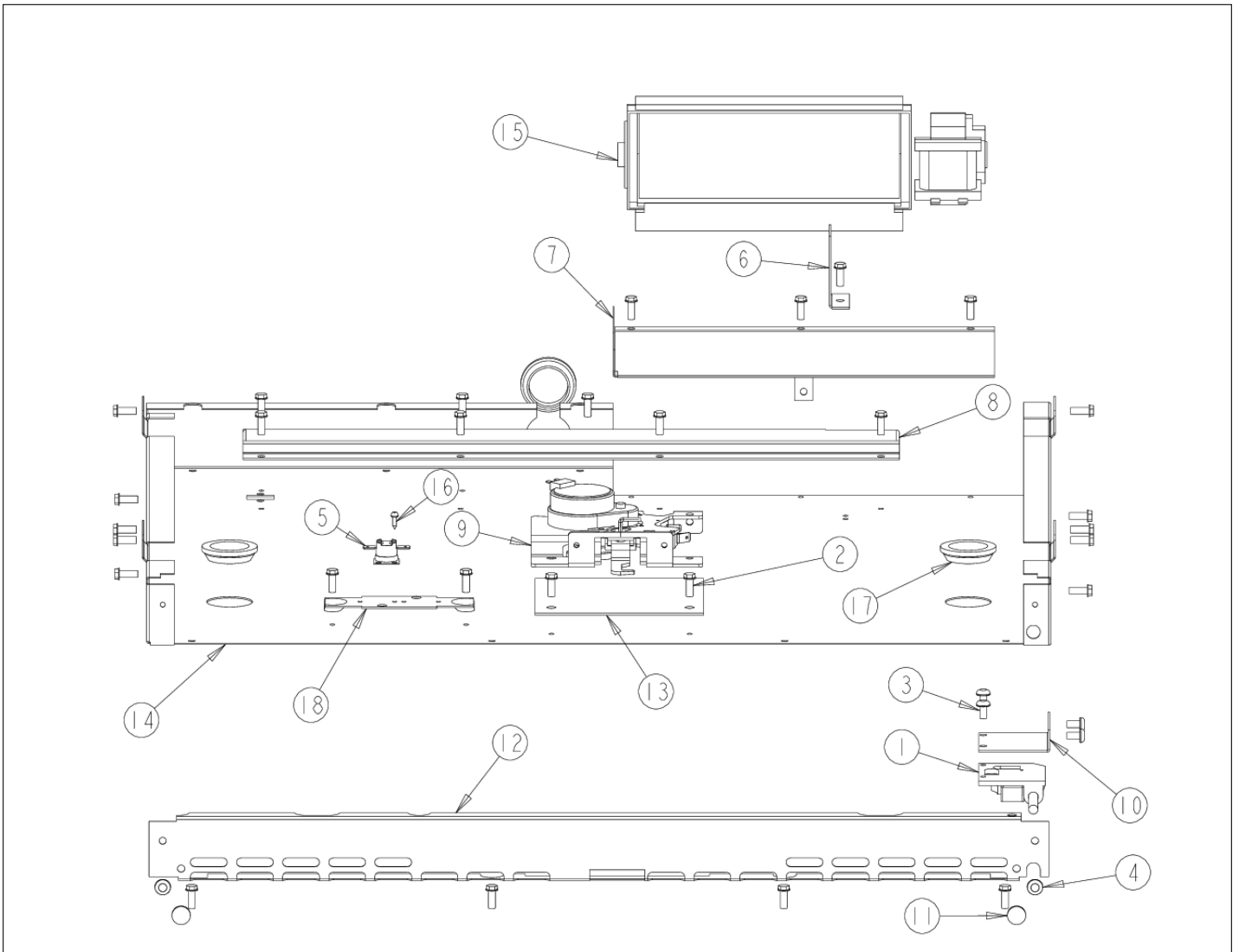
Item	Part No.	Name	Qty	Uom	NOTES
1	PE050208	DOOR SWITCH		EA	
2	PD020060	10 X 1/2" (5/16)HEX WSHER HD.(T)A		EA	
3	PD020004	10X3/8PH.HD.TYPE 25 REPL PD040125		EA	
4	PD020063	SCREW-#8(A) X 3/8"PH WFR HD/BK OXID		EA	
5	PJ030039	BI-METAL THERMOSTAT 275 DEGREES		EA	
6	A20014036	BOTTOM BLOWER DIVIDER		EA	
7	A2009659	BRACKET, FILLER, BLOWER		EA	
8	A20012808	CATALYST EXHAUST, MIDDLE MODULE		EA	
9	013250-000	LATCH,DOOR,ASM,240V,GRID DLE LOCKOUT		EA	
10	A20012649	DOOR SWITCH BRACKET		EA	
11	PD040004	GROMMET BUMPER		EA	
12	C90012803BK	INLET GRILL DBL LOWER OVEN 27", BK		EA	
13	PB070321	Lower Latch Insulation		EA	
14	A20012802	MODULE PAN 27		EA	
15	PE050250	Blower		EA	

Comments for Part Num. PE050250

highendappsvc@gmail.com on Jan 28, 2019

If you need to replace cooling fan for the model vgsc5486gss serial date code 031412, do not order this fan, this fan is larger and configured wrong. The correct fan is 007794-000. it is smaller.

Not Shown	NOTE	(BEFORE 02/04/13)		EA	
15	018607-000	FAN, BLO, 220-240V 50/60 HZ ASM		EA	
Not Shown	NOTE	(ON OR AFTER 02/04/13)		EA	
16	PD020013	TYPE "AB" #6 X 3/8 PH PAN HD. SMS		EA	
17	PB070079	SILICONE EXTRUSION (DGSU)		EA	
18	A1002456	THERMO-DISC BRKT (VDSC)		EA	
Not Shown	NOTE	(Before 08/21/06)		EA	

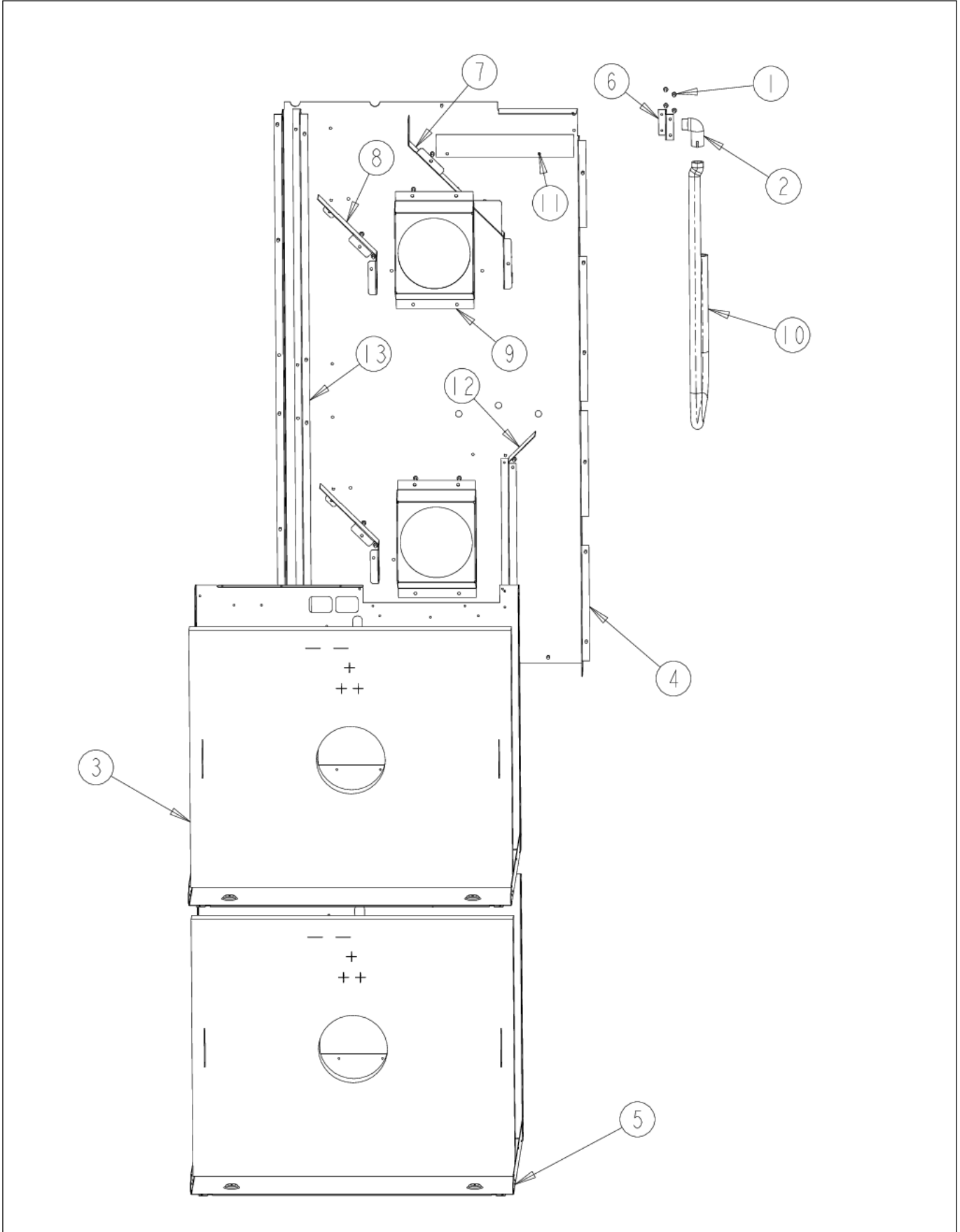






Item	Part No.	Name	Qty	Uom	NOTES
NI	A20014089	DISC BRACKET		EA	
Not Shown	NOTE	(After 08/21/06)		EA	

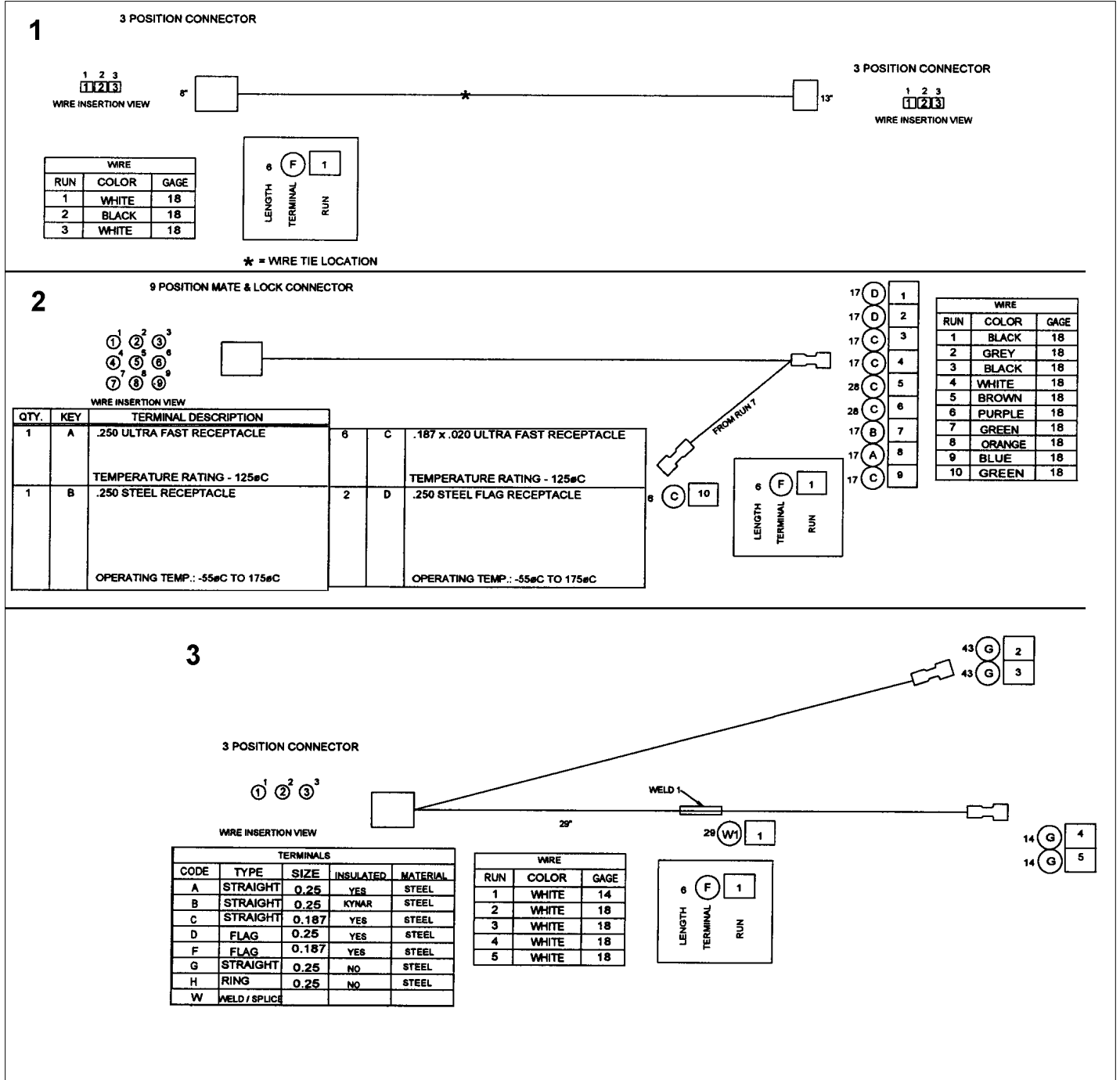
REAR UNIT AREA





Item	Part No.	Name	Qty	Uom	NOTES
1	PD020060	10 X 1/2" (5/16)HEX WSHER HD.(T)A	1	EA	
2	PB040070	CONDUIT FITTING (90 DEG)	1	EA	
3	PB070301	27" BACK INSULATION	1	EA	NO LONGER AVAILABLE, Not available online / Call for pricing and availability
4	A20012807	PANEL, REAR	1	EA	
5	A20010931	BASE, BACK WRAPPER, 27"	1	EA	
6	A2009671	BRACKET, POWER CABLE	1	EA	
7	A21010918	BRACKET, AIR, CONVECTION MOTOR	1	EA	
8	A21010919	BRACKET, AIR, CONVECTION MOTOR	1	EA	
9	A2009697	BRACKET, CONVECTION INSULATION	1	EA	
10	PB020071	CONDUIT - FLEXIBLE (48")	1	EA	
11	A10010907	COVER, BLOWER	1	EA	
12	A20012809	REAR AIR DIVIDER, DBL, LOWER OVEN	1	EA	
13	A2009684	REAR AIR DIVIDER, DOUBLE OVEN	1	EA	

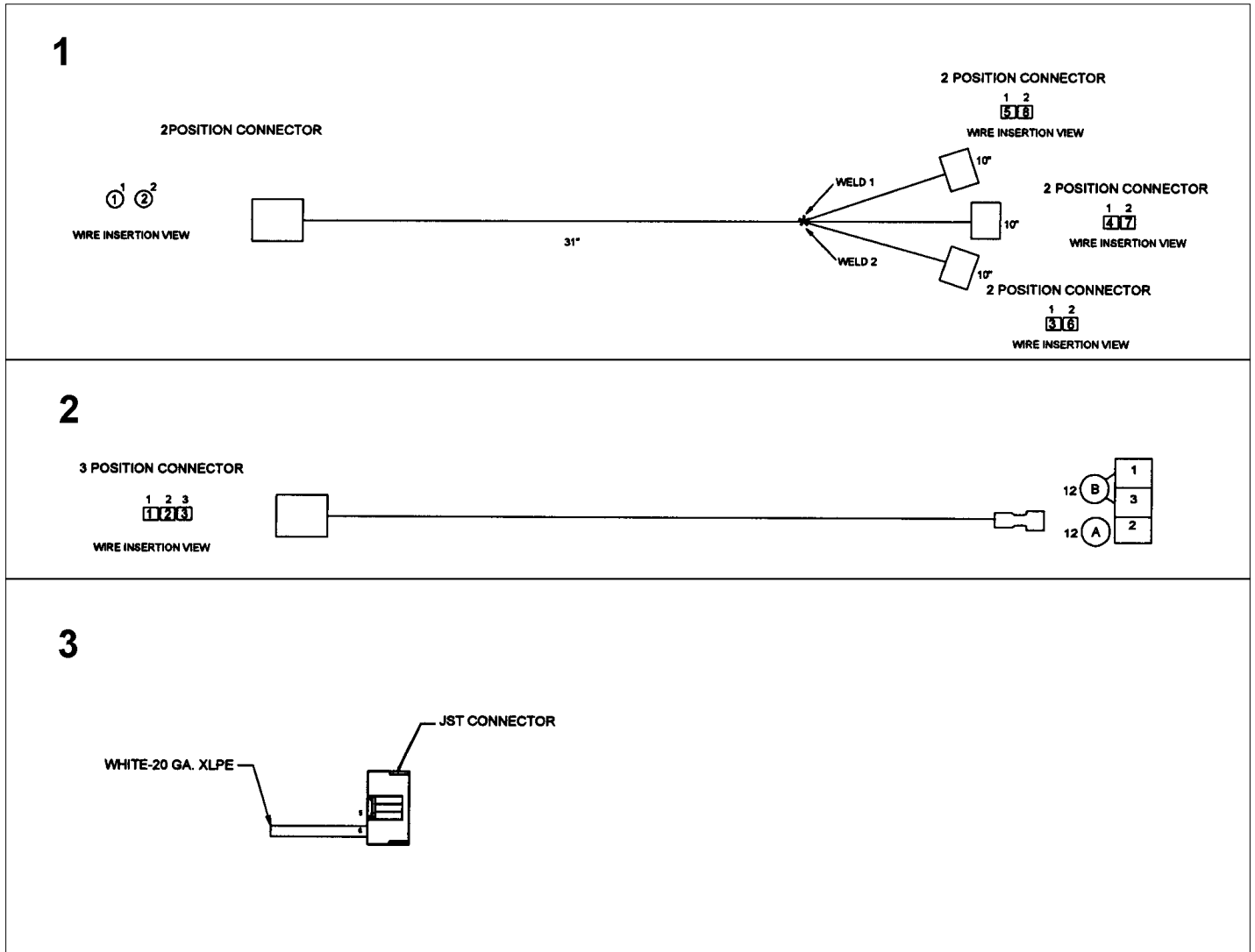
SIMPLE HARNESSES 1





Item	Part No.	Name	Qty	Uom	NOTES
1	PE070738	T/STAT-SEL HARNESS	1	EA	
NI	PE070733	UPPER LATCH HARNESS	1	EA	
NI	PE070739	BAKE ELEMENT HARNESS	1	EA	
NI	G4005496	SUPPLY WIRE - 100" BK 10GA SO/DO	1	EA	
NI	G4005497	SUPPLY WIRE - 100" GREEN 10GA SO/DO	1	EA	
NI	G4005499	SUPPLY WIRE - 100" RED 10GA SO/DO	1	EA	
NI	G4005494	SUPPLY WIRE - 75" WH 12 GA SO/DO - NLA	1	EA	

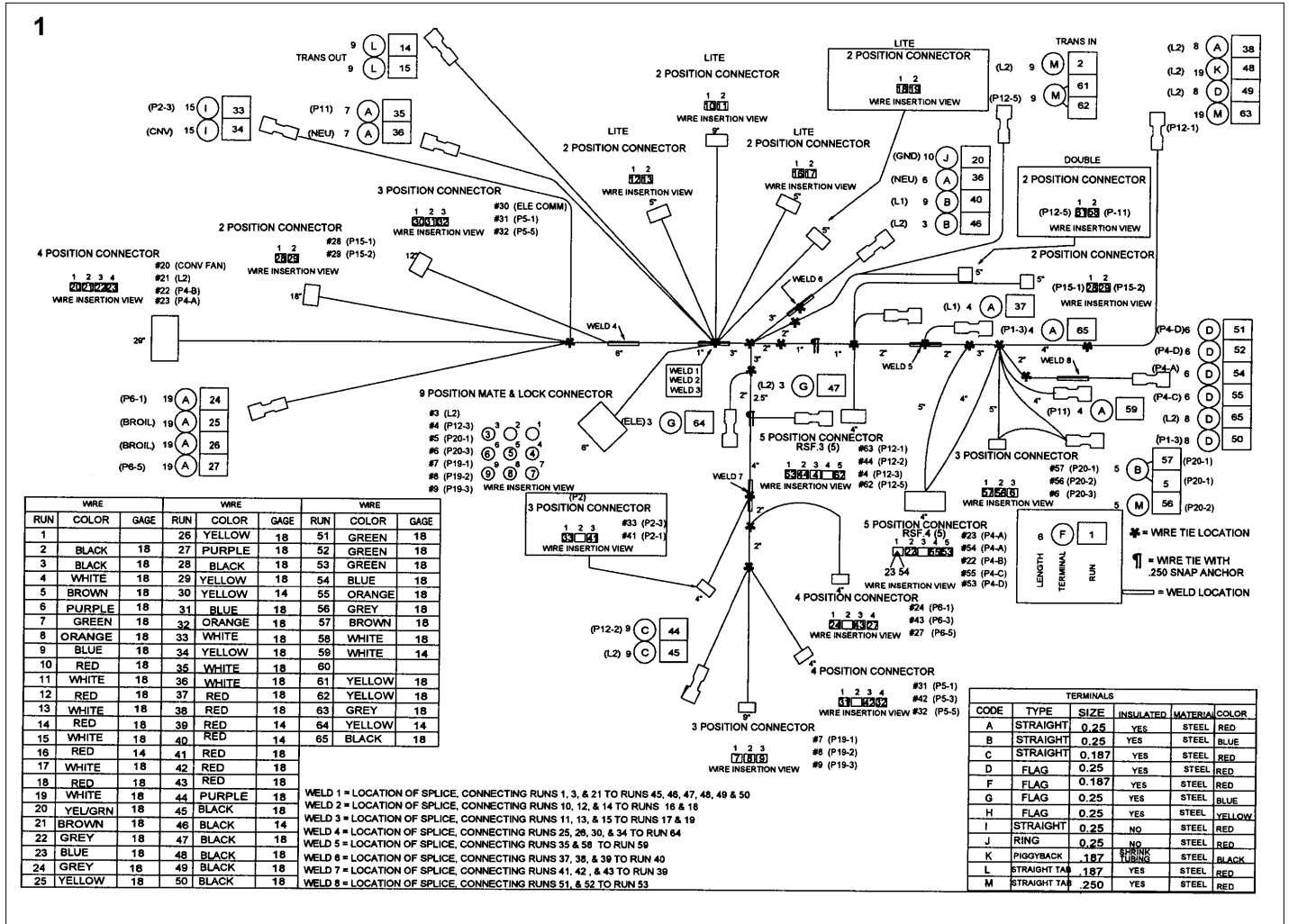
SIMPLE HARNESSES 2





Item	Part No.	Name	Qty	Uom	NOTES
1	PE070741	LOWER LIGHT HARNESS	1	EA	
2	PE070744	DOUBLE CLOCK HARNESS	1	EA	NO LONGER AVAILABLE
3	PE070795	HEADER, MODEL 3, YELLOW	1	EA	

# UPPER CONTROL HARNESS

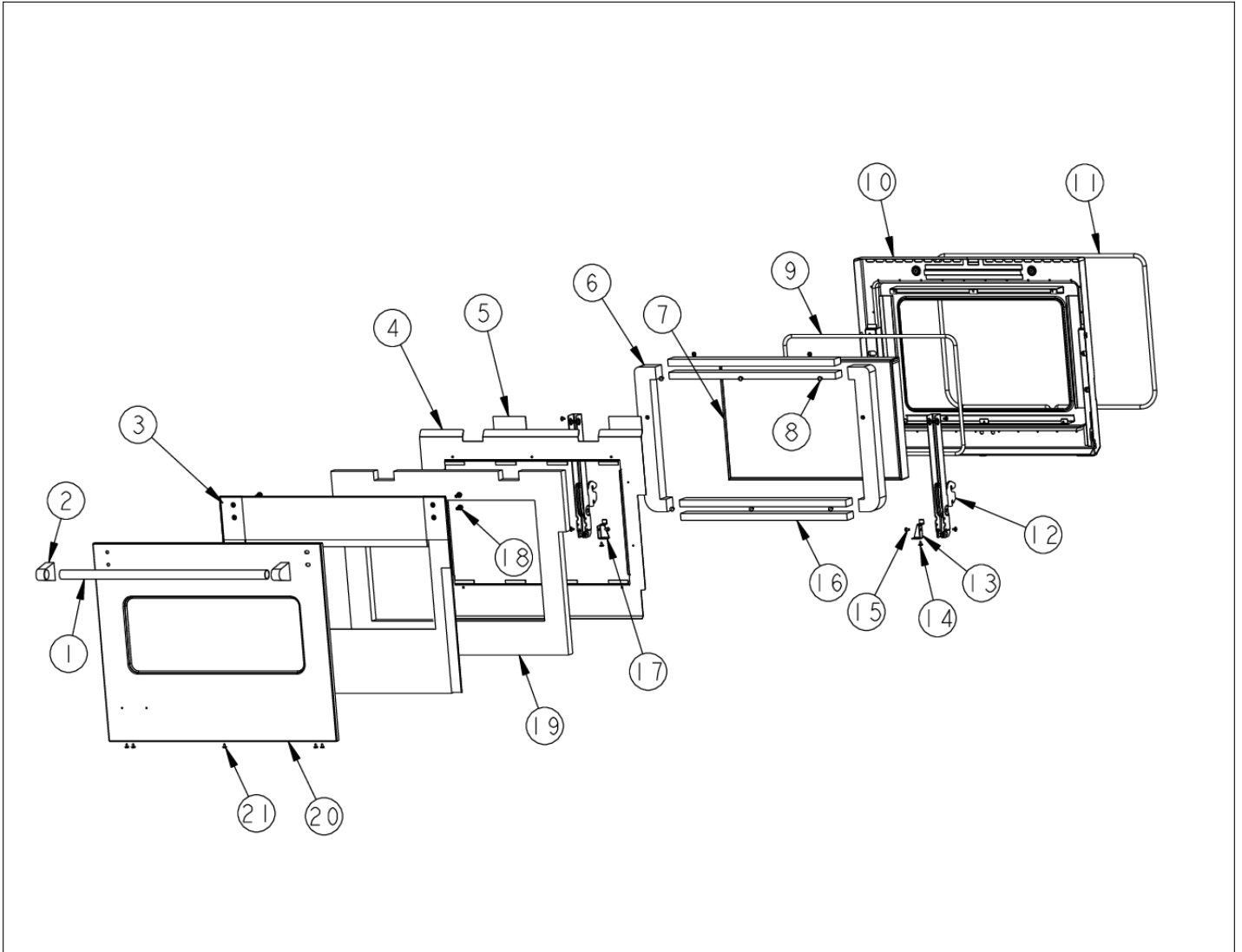






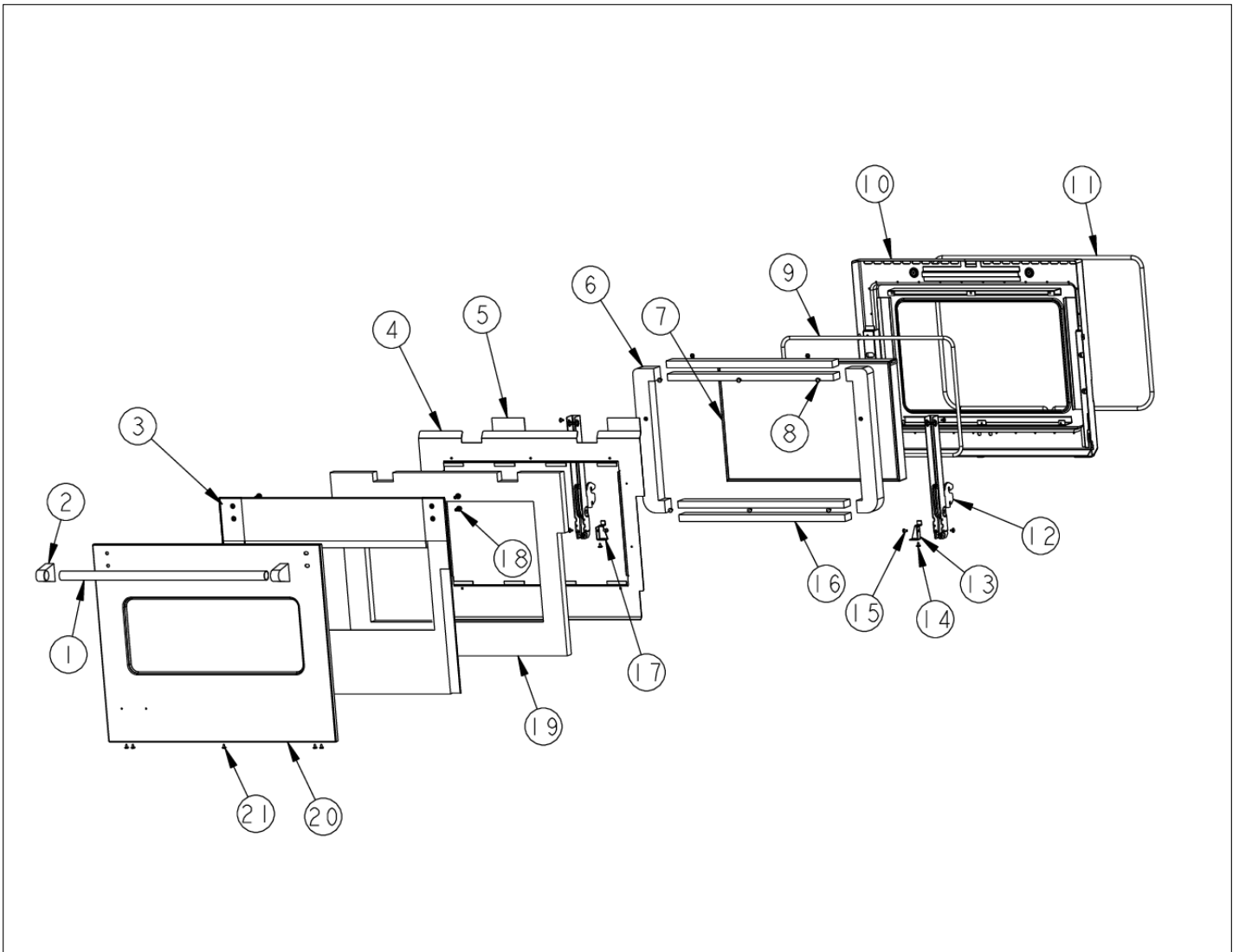
Item	Part No.	Name	Qty	Uom	NOTES
1	PE070742	UPPER CONTROL HARNESS	1	EA	

UPPER DOOR ASSEMBLY



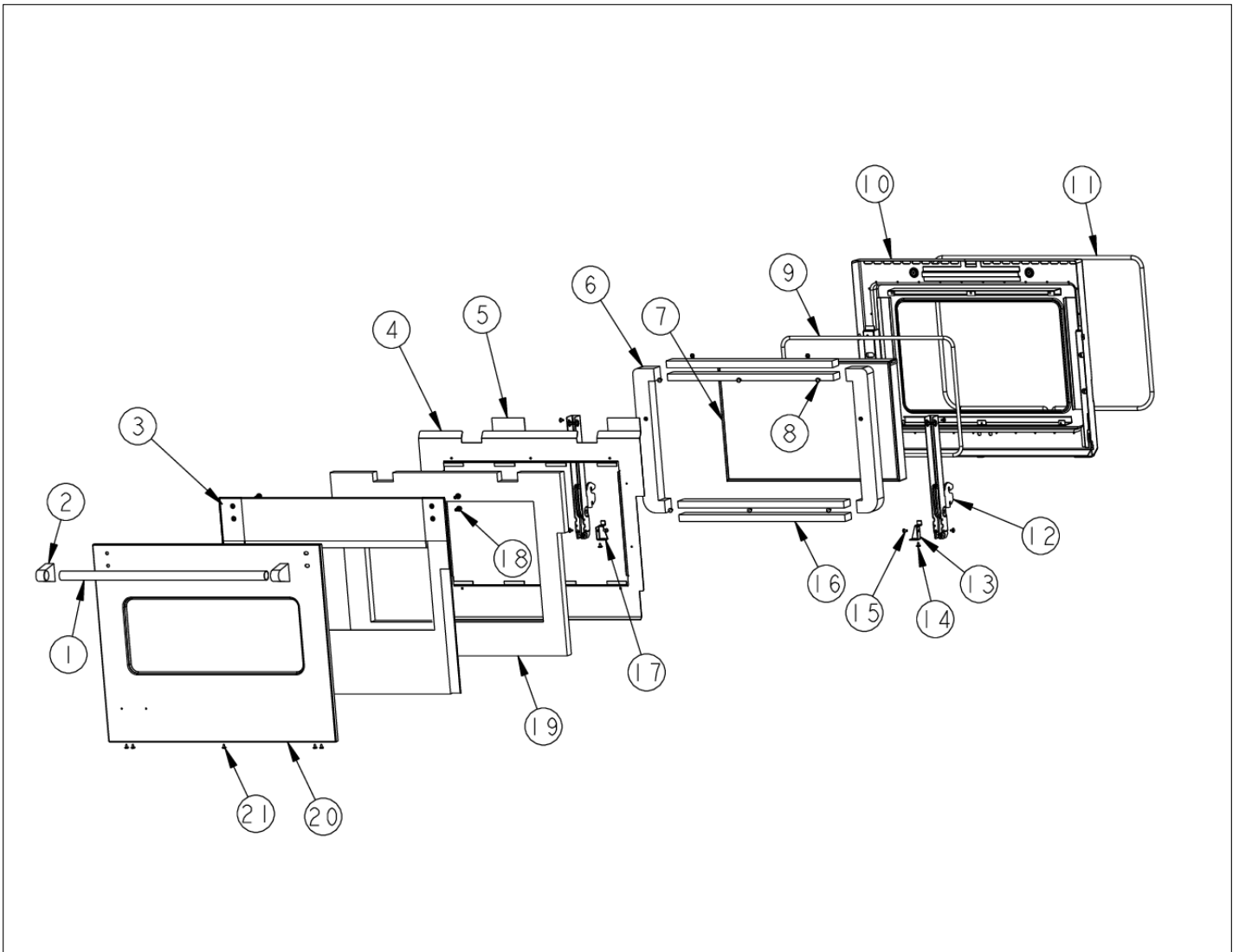


Item	Part No.	Name	Qty	Uom	NOTES
1	PE030178	27" PROF. DOOR HANDLE	1	EA	
Not Shown	PE030178PVD	27" PROF. DOOR HANDLE *PVD*	1	EA	Not available online / Call for pricing and availability
2	000268-000	HANDLE ENDCAP	1	EA	
Not Shown	PE030001PVD	END CAP DOOR HANDLE *BR	1	EA	
3	001501-000	Pro 27" Insulation Retainer Kit (After 7-17-06)	1	EA	NO LONGER AVAILABLE
Not Shown	NOTE	(After 07/17/06)		EA	
Not Shown	001503-000	PRO 27" INSULATION RETAINER (BEFORE 7/17/06)	1	EA	NO LONGER AVAILABLE, Not available online / Call for pricing and availability
Not Shown	NOTE	(Before 07/17/06)		EA	
4	A20010949	PANEL, INSULATION, INNNER DOOR	1	EA	
5	PB070336	Door Bracket Insulation	1	EA	
6	PB070271	DOOR PLUG INSULATION	1	EA	
7	PE060093	27" WINDOW PACK	1	EA	
8	PD020002	10 X 1/2 PH TR HD SMS	1	EA	
9	000594-000	BLACK FIBERGLASS ROPE 3/8	1	EA	
10	G91010942	DOOR LINER PORC.	1	EA	
<p>Comments for Part Num. G91010942</p> <p>gboltz@VikingRange.com on Jun 7, 2016  Correct part number is G91019042BK</p>					
11	PB070245	27" DOOR GASKET	1	EA	
12	023798-000	HINGE, MANSFIELD, WHITE	2	EA	
13	A20012640	HINGE SUPPORT RH	1	EA	
14	PD020063	SCREW-#8(A) X 3/8"PH WFR HD/BK OXID	1	EA	
15	PD020004	10X3/8PH.HD.TYPE 25 REPL PD040125	1	EA	
16	PB070273	Window Pack Insulation	1	EA	
17	A20012641	HINGE SUPPORT LH	1	EA	



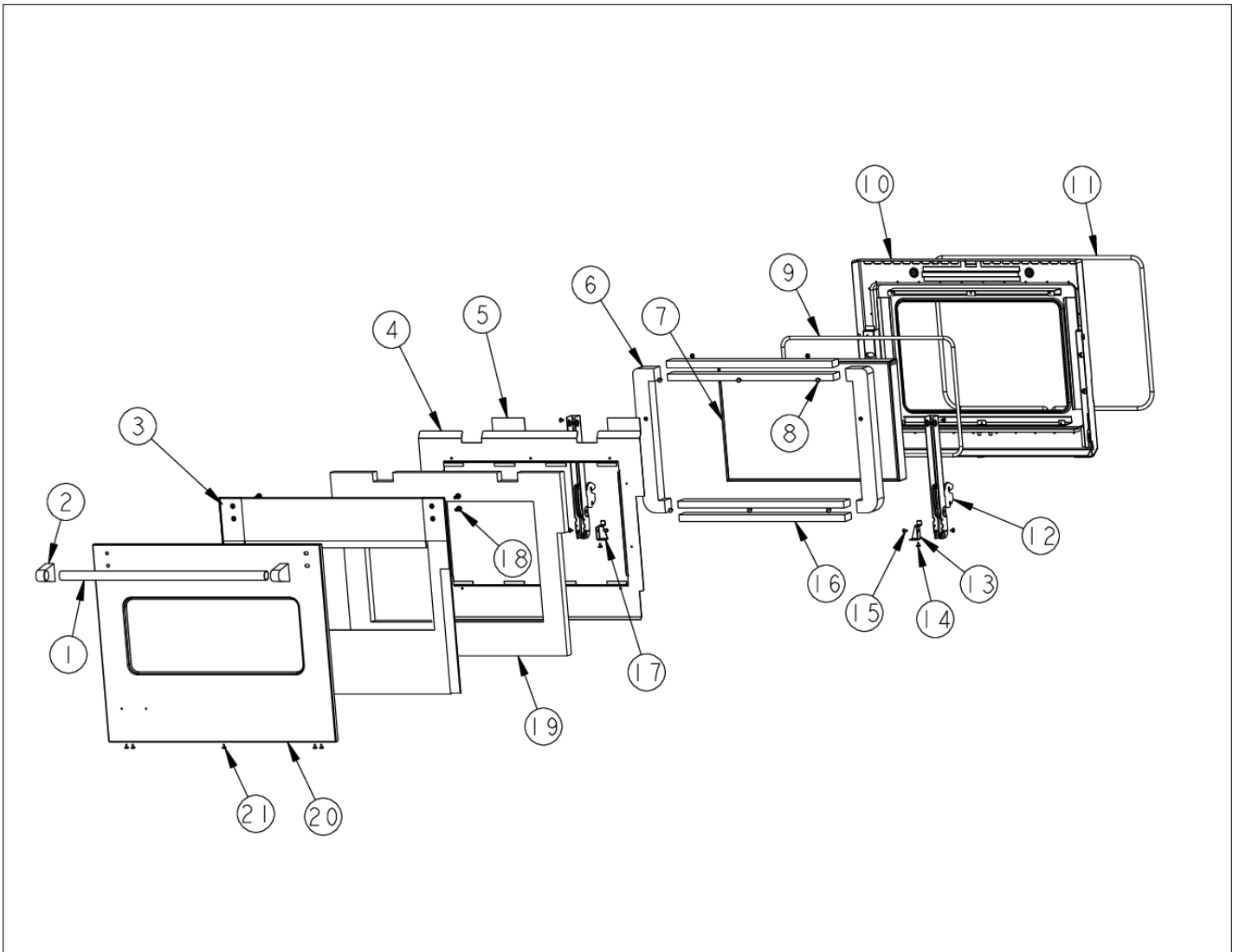


Item	Part No.	Name	Qty	Uom	NOTES
18	PD020186	1/4"-20 X 3/4" HEX WASHER HEAD MS	1	EA	Not available online / Call for pricing and availability
19	PB070276	27" DOOR INSULATION	1	EA	
20	PS500016AL	27" PRO DOOR SKIN SVC KIT W/O LOGO AFTER 07/17/06 - AL	1	EA	NO LONGER AVAILABLE, Not available online / Call for pricing and availability
20	PS500016ALBR	27" PRO DOOR SKIN SVC KIT W/O LOGO AFTER 07/17/06 - AL/BR	1	EA	NO LONGER AVAILABLE, Not available online / Call for pricing and availability
20	PS500016BK	27" PRO DOOR SKIN SVC KIT W/O LOGO AFTER 07/17/06 - BK	1	EA	NO LONGER AVAILABLE
20	PS500016BKBR	27" PRO DOOR SKIN SVC KIT W/O LOGO AFTER 07/17/06 - BK/BR	1	EA	NO LONGER AVAILABLE, Not available online / Call for pricing and availability
20	PS500016BT	27" PRO DOOR SKIN SVC KIT W/O LOGO AFTER 07/17/06 -BT	1	EA	NO LONGER AVAILABLE, Not available online / Call for pricing and availability
20	PS500016BTBR	27" PRO DOOR SKIN SVC KIT W/O LOGO AFTER 07/17/06 - BT/BR	1	EA	NO LONGER AVAILABLE, Not available online / Call for pricing and availability
20	PS500016BU	27" PRO DOOR SKIN SVC KIT W/O LOGO AFTER 07/17/06 -BU	1	EA	
20	PS500016BUBR	27" PRO DOOR SKIN SVC KIT W/O LOGO AFTER 07/17/06 - BU/BR	1	EA	NO LONGER AVAILABLE, Not available online / Call for pricing and availability
20	PS500016CB	27" PRO DOOR SKIN SVC KIT W/O LOGO AFTER 07/17/06 - CB	1	EA	NO LONGER AVAILABLE, Not available online / Call for pricing and availability
20	PS500016CBBR	27" PRO DOOR SKIN SVC KIT W/O LOGO AFTER 07/17/06 - CB/BR	1	EA	NO LONGER AVAILABLE, Not available online / Call for pricing and availability



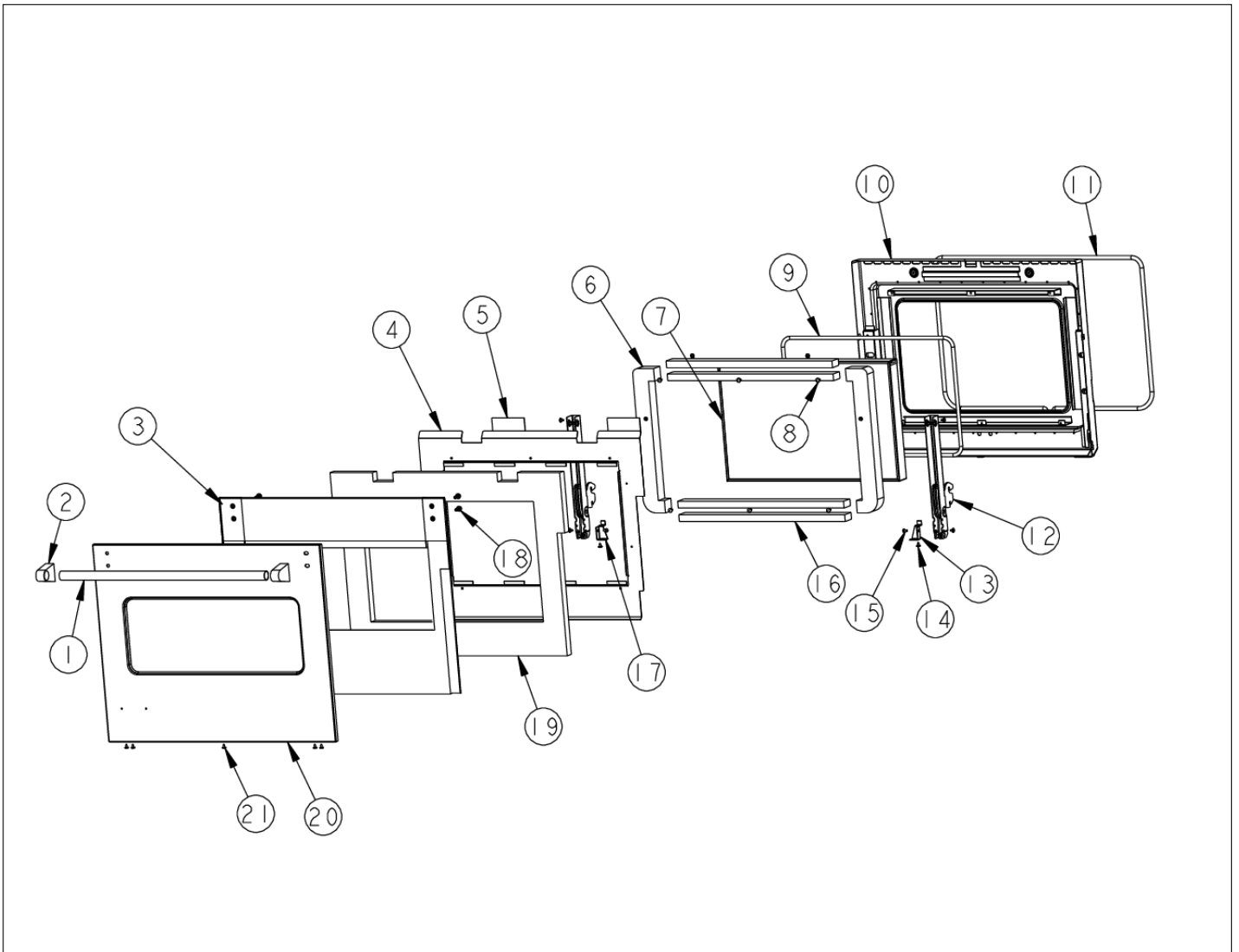


Item	Part No.	Name	Qty	Uom	NOTES
20	PS500016EP	27" PRO DOOR SKIN SVC KIT W/O LOGO AFTER 07/17/06 - EP	1	EA	NO LONGER AVAILABLE, Not available online / Call for pricing and availability
20	PS500016EPBR	27" PRO DOOR SKIN SVC KIT W/O LOGO AFTER 07/17/06 - EPBR	1	EA	NO LONGER AVAILABLE, Not available online / Call for pricing and availability
20	PS500016FG	27" PRO DOOR SKIN SERVICE KIT W/O LOGO AFTER 07/17/06 - FG	1	EA	NO LONGER AVAILABLE, Not available online / Call for pricing and availability
20	PS500016FGBR	27" PRO DOOR SKIN SERVICE KIT W/O LOGO AFTER 07/17/06 - FG/BR	1	EA	NO LONGER AVAILABLE, Not available online / Call for pricing and availability
20	PS500016GG	27" PRO DOOR SKIN SERVICE KIT W/O LOGO AFTER 07/17/06 -GG	1	EA	
20	PS500016GGBR	27" PRO DOOR SKIN SERVICE KIT W/O LOGO AFTER 07/17/06 - GG/BR	1	EA	NO LONGER AVAILABLE, Not available online / Call for pricing and availability
20	PS500016LE	27" PRO DOOR SKIN SERVICE KIT W/O LOGO AFTER 07/17/06 - FG/BR	1	EA	
20	PS500016LEBR	27" PRO DOOR SKIN SERVICE KIT W/O LOGO AFTER 07/17/06 - LE/BR	1	EA	NO LONGER AVAILABLE, Not available online / Call for pricing and availability
20	PS500016MJ	27" PRO DOOR SKIN SERVICE KIT W/O LOGO AFTER 07/17/06 - MJ	1	EA	NO LONGER AVAILABLE, Not available online / Call for pricing and availability
20	PS500016MJBR	27" PRO DOOR SKIN SERVICE KIT W/O LOGO AFTER 07/17/06 - MJ/BR	1	EA	NO LONGER AVAILABLE, Not available online / Call for pricing and availability
20	PS500016SG	27" PRO DOOR SKIN SERVICE KIT W/O LOGO AFTER 07/17/06 - SG	1	EA	NO LONGER AVAILABLE, Not available online / Call for pricing and availability

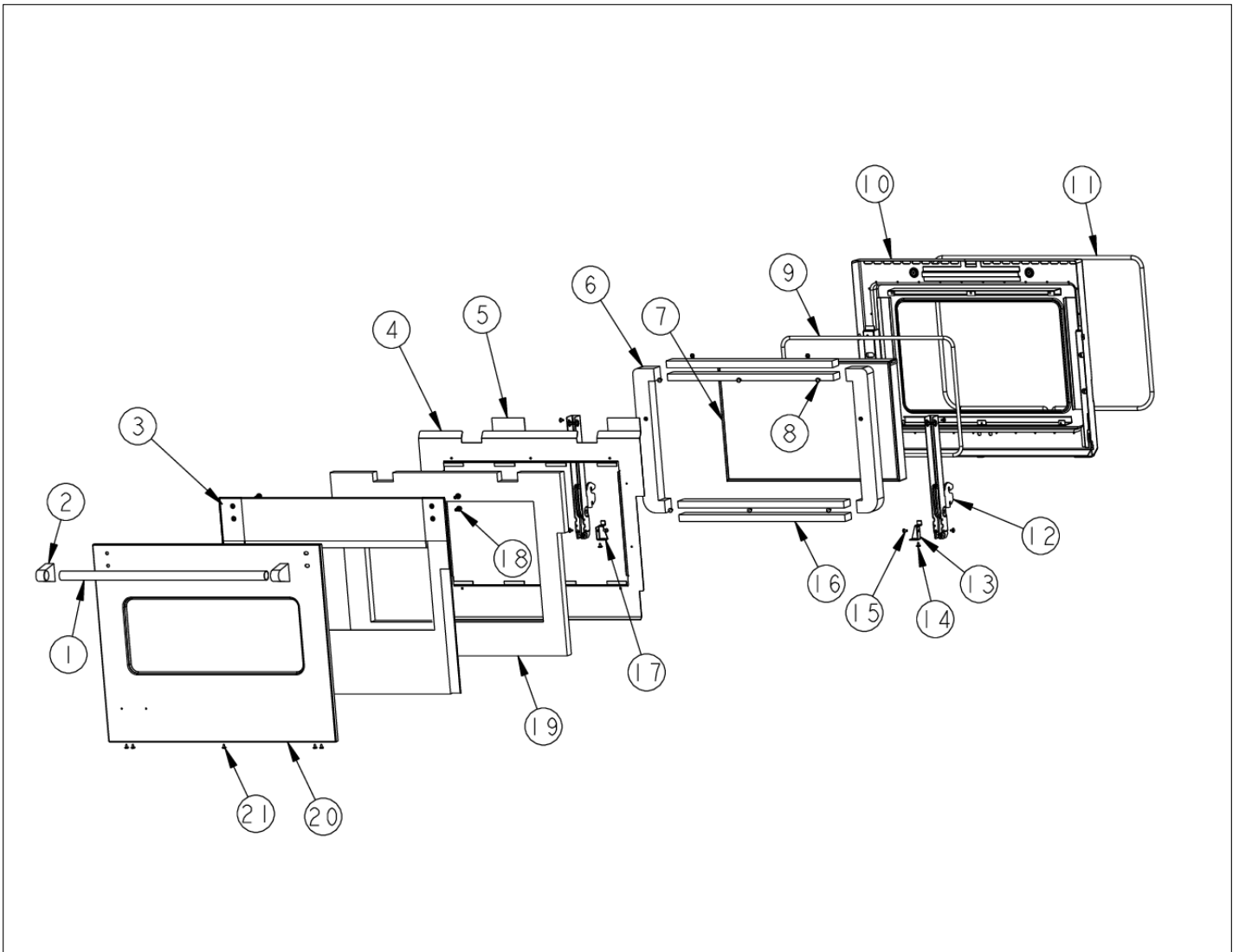




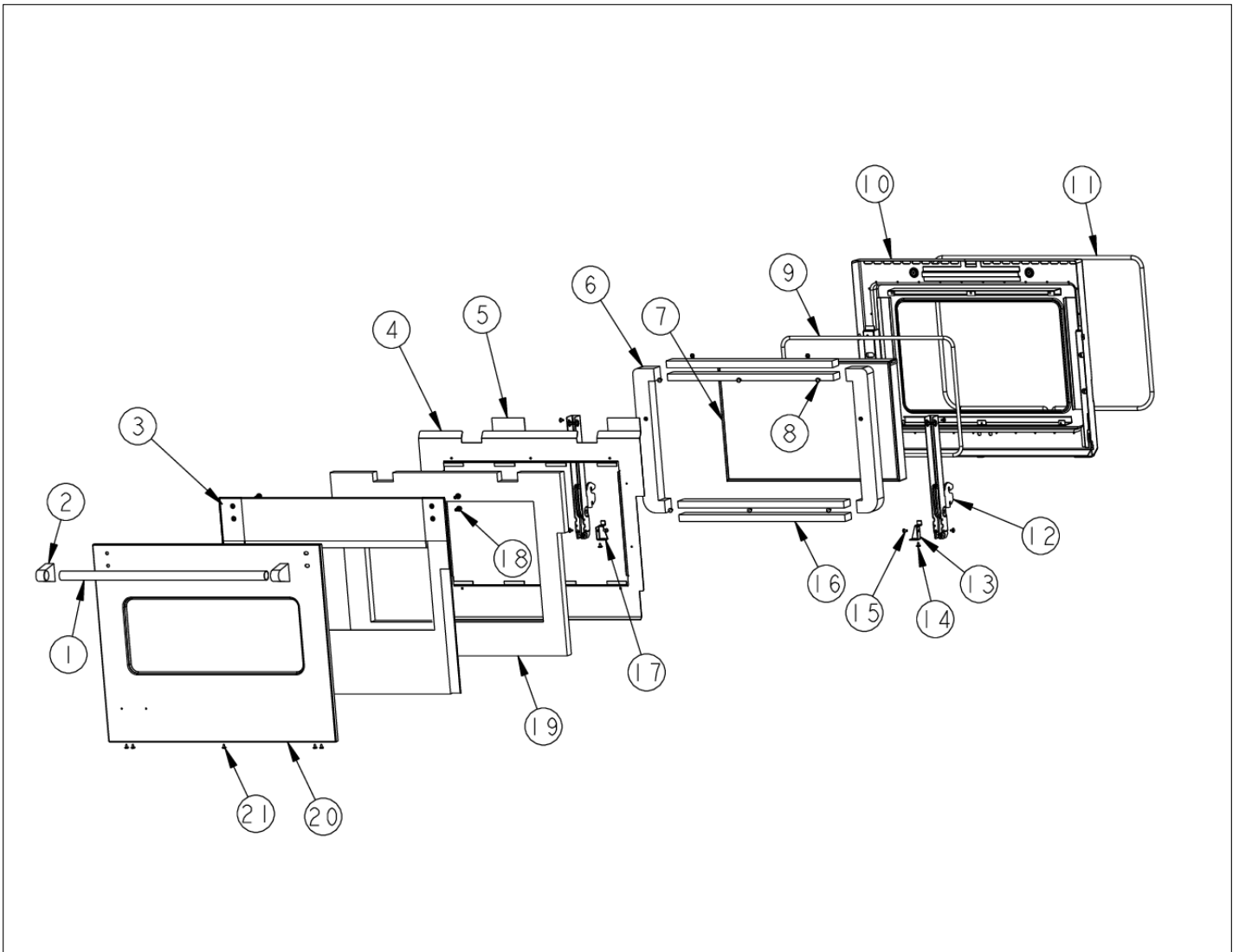
Item	Part No.	Name	Qty	Uom	NOTES
20	PS500016SGBR	27" PRO DOOR SKIN SERVICE KIT W/O LOGO AFTER 07/17/06 - SG/BR	1	EA	NO LONGER AVAILABLE, Not available online / Call for pricing and availability
20	PS500016SS	27" PRO DOOR SKIN SERVICE KIT W/O LOGO AFTER 07/17/06 - SS	1	EA	
20	PS500016SSBR	27" PRO DOOR SKIN SERVICE KIT W/O LOGO AFTER 07/17/06 - SS/BR	1	EA	NO LONGER AVAILABLE, Not available online / Call for pricing and availability
20	PS500016VB	27" PRO DOOR SKIN SERVICE KIT W/O LOGO AFTER 07/17/06 -VB	1	EA	NO LONGER AVAILABLE, Not available online / Call for pricing and availability
20	PS500016VBBR	27" PRO DOOR SKIN SERVICE KIT W/O LOGO AFTER 07/17/06 - VB/BR	1	EA	NO LONGER AVAILABLE, Not available online / Call for pricing and availability
20	PS500016WH	27" PRO DOOR SKIN SERVICE KIT W/O LOGO AFTER 07/17/06 - WH	1	EA	Not available online / Call for pricing and availability
20	PS500016WHBR	27" PRO DOOR SKIN SERVICE KIT W/O LOGO AFTER 07/17/06 - WH/BR	1	EA	NO LONGER AVAILABLE, Not available online / Call for pricing and availability
20	PS500020AL	27" PRO DOOR SKIN SERVICE KIT W/O LOGO BEFORE 07/17/06 - AL	1	EA	NO LONGER AVAILABLE, Not available online / Call for pricing and availability
20	PS500020ALBR	27" PRO DOOR SKIN SERVICE KIT W/O LOGO BEFORE 07/17/06- AL/BR	1	EA	NO LONGER AVAILABLE, Not available online / Call for pricing and availability
20	PS500020BK	27" PRO DOOR SKIN SERVICE KIT W/O LOGO BEFORE 07/17/06- BK	1	EA	NO LONGER AVAILABLE, Not available online / Call for pricing and availability
20	PS500020BKBR	27" PRO DOOR SKIN SERVICE KIT W/O LOGO BEFORE 07/17/06- BK/BR	1	EA	NO LONGER AVAILABLE, Not available online / Call for pricing and availability



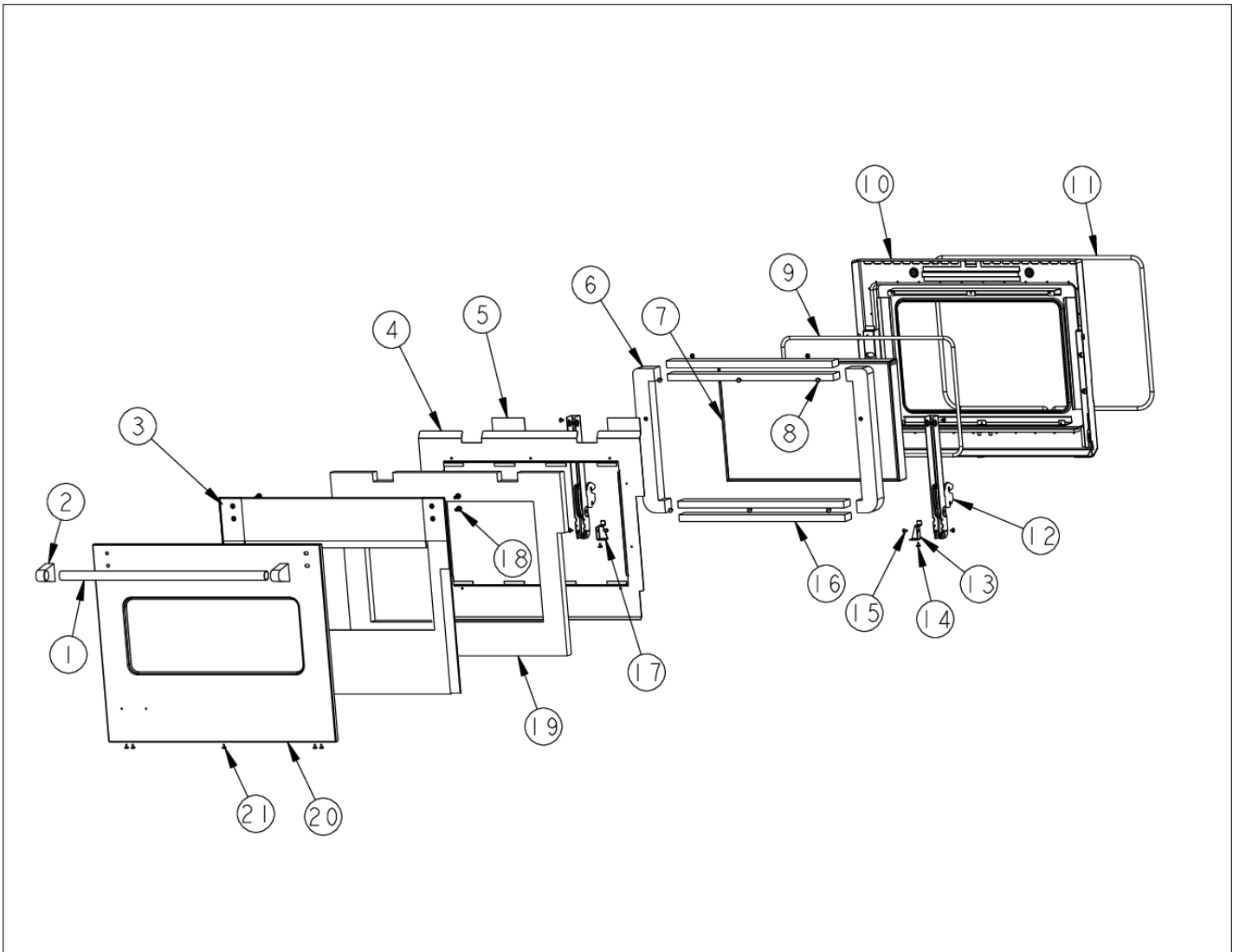
Item	Part No.	Name	Qty	Uom	NOTES
20	PS500020BT	27" PRO DOOR SKIN SERVICE KIT W/O LOGO BEFORE 07/17/06 - BT	1	EA	NO LONGER AVAILABLE, Not available online / Call for pricing and availability
20	PS500020BTBR	27" PRO DOOR SKIN SERVICE KIT W/O LOGO BEFORE 07/17/06- BT/BR	1	EA	NO LONGER AVAILABLE, Not available online / Call for pricing and availability
20	PS500020BU	27" PRO DOOR SKIN SERVICE KIT W/O LOGO BEFORE 07/17/06- BU	1	EA	NO LONGER AVAILABLE, Not available online / Call for pricing and availability
20	PS500020BUBR	27" PRO DOOR SKIN SERVICE KIT W/O LOGO BEFORE 07/17/06- BU/BR	1	EA	NO LONGER AVAILABLE, Not available online / Call for pricing and availability
20	PS500020CB	27" PRO DOOR SKIN SERVICE KIT W/O LOGO BEFORE 07/17/06- CB	1	EA	NO LONGER AVAILABLE, Not available online / Call for pricing and availability
20	PS500020CBBR	27" PRO DOOR SKIN SERVICE KIT W/O LOGO BEFORE 07/17/06- CB/BR	1	EA	NO LONGER AVAILABLE, Not available online / Call for pricing and availability
20	PS500020EP	27" PRO DOOR SKIN SERVICE KIT W/O LOGO BEFORE 07/17/06- EP	1	EA	NO LONGER AVAILABLE, Not available online / Call for pricing and availability
20	PS500020EPBR	27" PRO DOOR SKIN SERVICE KIT W/O LOGO BEFORE 07/17/06- EP/BR	1	EA	NO LONGER AVAILABLE, Not available online / Call for pricing and availability
20	PS500020FG	27" PRO DOOR SKIN SERVICE KIT W/O LOGO BEFORE 07/17/06- FG	1	EA	NO LONGER AVAILABLE, Not available online / Call for pricing and availability
20	PS500020FGBR	27" PRO DOOR SKIN SERVICE KIT W/O LOGO BEFORE 07/17/06- FG/BR	1	EA	NO LONGER AVAILABLE, Not available online / Call for pricing and availability
20	PS500020GG	27" PRO DOOR SKIN SERVICE KIT W/O LOGO BEFORE 07/17/06- GG	1	EA	NO LONGER AVAILABLE, Not available online / Call for pricing and availability



Item	Part No.	Name	Qty	Uom	NOTES
20	PS500020GGBR	27" PRO DOOR SKIN SERVICE KIT W/O LOGO BEFORE 07/17/06 - GG/BR	1	EA	NO LONGER AVAILABLE, Not available online / Call for pricing and availability
20	PS500020LE	27" PRO DOOR SKIN SERVICE KIT W/O LOGO BEFORE 07/17/06- LE	1	EA	NO LONGER AVAILABLE, Not available online / Call for pricing and availability
20	PS500020LEBR	27" PRO DOOR SKIN SERVICE KIT W/O LOGO BEFORE 07/17/06- LE/BR	1	EA	NO LONGER AVAILABLE, Not available online / Call for pricing and availability
20	PS500020MJ	27" PRO DOOR SKIN SERVICE KIT W/O LOGO BEFORE 07/17/06 - MJ	1	EA	NO LONGER AVAILABLE, Not available online / Call for pricing and availability
20	PS500020MJBR	27" PRO DOOR SKIN SERVICE KIT W/O LOGO BEFORE 07/17/06 - MJ/BR	1	EA	NO LONGER AVAILABLE, Not available online / Call for pricing and availability
20	PS500020SG	27" PRO DOOR SKIN SERVICE KIT W/O LOGO BEFORE 07/17/06 - SG	1	EA	NO LONGER AVAILABLE, Not available online / Call for pricing and availability
20	PS500020SGBR	27" PRO DOOR SKIN SERVICE KIT W/O LOGO BEFORE 07/17/06 - SG/BR	1	EA	NO LONGER AVAILABLE, Not available online / Call for pricing and availability
20	PS500020SS	27" PRO DOOR SKIN SERVICE KIT W/O LOGO BEFORE 07/17/06 - SS	1	EA	
20	PS500020SSBR	27" PRO DOOR SKIN SERVICE KIT W/O LOGO BEFORE 07/17/06- SS/BR	1	EA	NO LONGER AVAILABLE, Not available online / Call for pricing and availability
20	PS500020VB	27" PRO DOOR SKIN SERVICE KIT W/O LOGO BEFORE 07/17/06- VB	1	EA	NO LONGER AVAILABLE, Not available online / Call for pricing and availability
20	PS500020VBBR	27" PRO DOOR SKIN SERVICE KIT W/O LOGO BEFORE 07/17/06- VB/BR	1	EA	NO LONGER AVAILABLE, Not available online / Call for pricing and availability

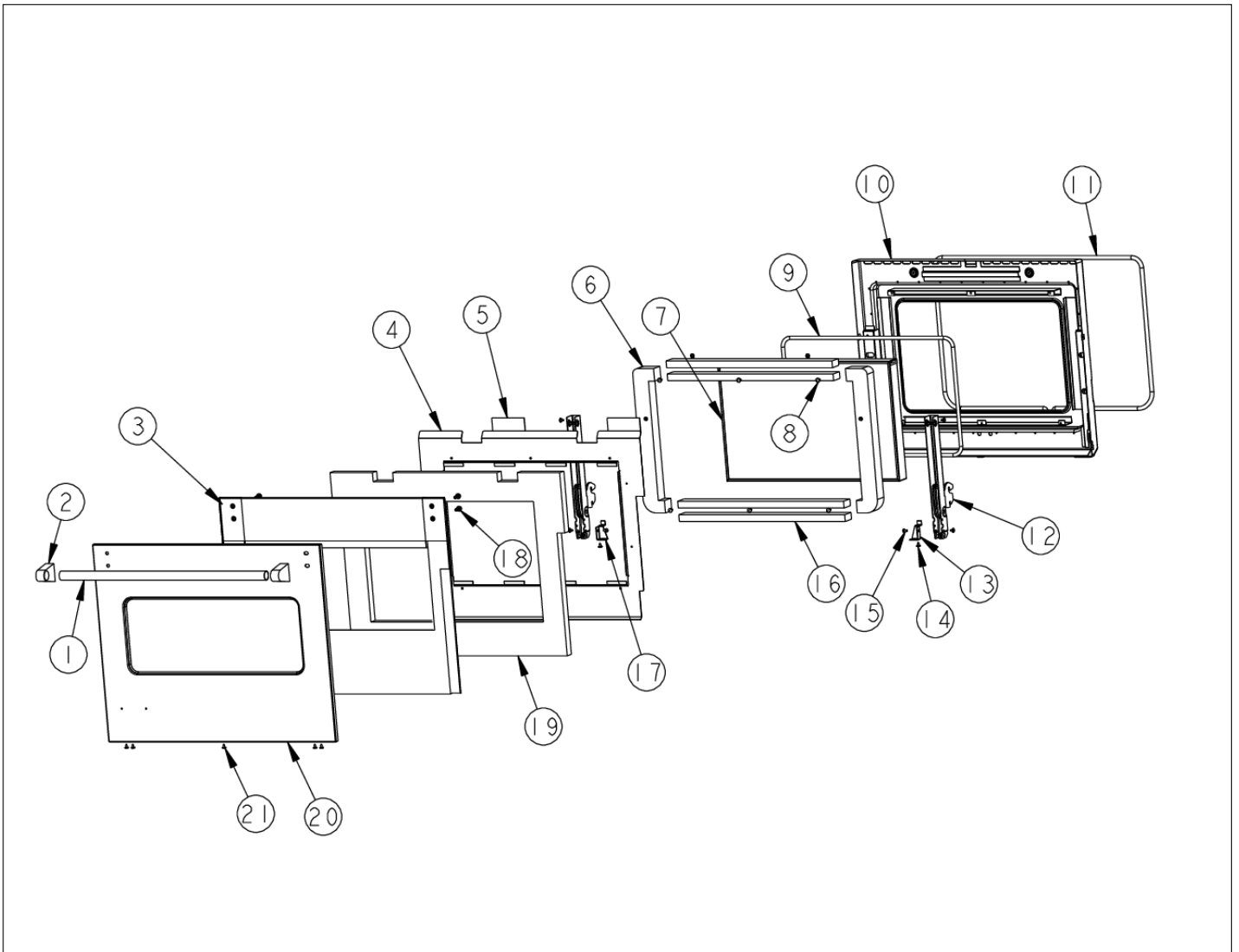


Item	Part No.	Name	Qty	Uom	NOTES
20	PS500020WH	27" PRO DOOR SKIN SERVICE KIT W/O LOGO BEFORE 07/17/06 - WH	1	EA	NO LONGER AVAILABLE, Not available online / Call for pricing and availability
20	PS500020WHBR	27" PRO DOOR SKIN SERVICE KIT W/O LOGO BEFORE 07/17/06 - WH/BR	1	EA	NO LONGER AVAILABLE, Not available online / Call for pricing and availability
21	PD020032	SRW-8(A)X3/8"PH.WFR HD 7/16DIA*NICL	1	EA	
NI	G32012720AL	27" DOOR ASSY W/O LOGO *AL*	1	EA	NO LONGER AVAILABLE, Not available online / Call for pricing and availability
NI	G32012720ALBR	27" DOOR ASSY W/O LOGO *ALBR*	1	EA	NO LONGER AVAILABLE, Not available online / Call for pricing and availability
NI	G32012720BK	27" DOOR ASSY W/O LOGO *BK*	1	EA	
NI	G32012720BKBR	27" DOOR ASSY W/O LOGO *BKBR*	1	EA	NO LONGER AVAILABLE, Not available online / Call for pricing and availability
NI	G32012720BT	27" DOOR ASSY W/O LOGO *BT*	1	EA	NO LONGER AVAILABLE
NI	G32012720BTBR	27" DOOR ASSY W/O LOGO *BTBR*	1	EA	NO LONGER AVAILABLE, Not available online / Call for pricing and availability
NI	G32012720BU	27" DOOR ASSY W/O LOGO *BU*	1	EA	NO LONGER AVAILABLE, Not available online / Call for pricing and availability
NI	G32012720BUBR	27" DOOR ASSY W/O LOGO *BUBR*	1	EA	NO LONGER AVAILABLE, Not available online / Call for pricing and availability
NI	G32012720CB	27" DOOR ASSY W/O LOGO *CB*	1	EA	NO LONGER AVAILABLE, Not available online / Call for pricing and availability





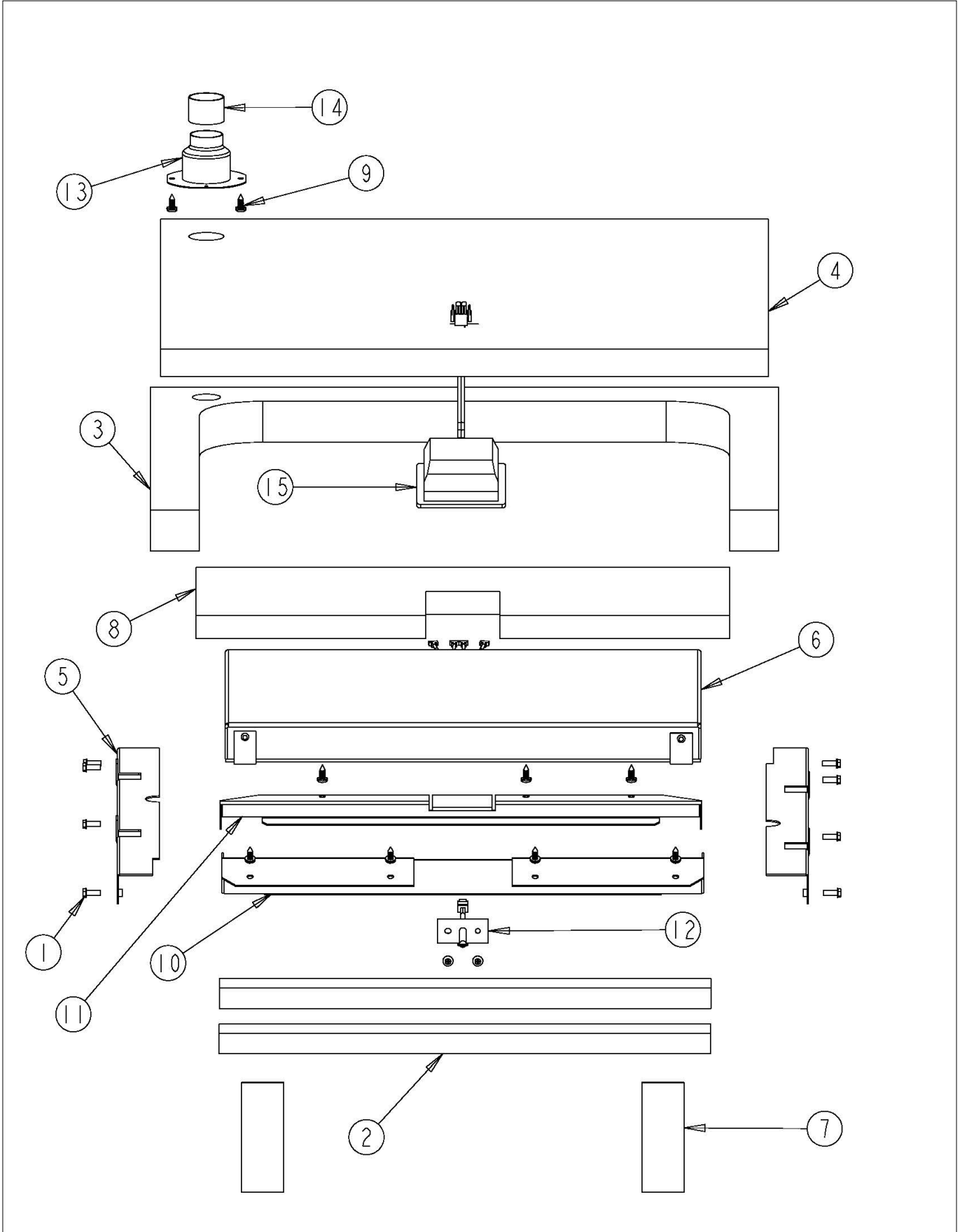
Item	Part No.	Name	Qty	Uom	NOTES
NI	G32012720CBBR	27" DOOR ASSY W/O LOGO *CBBR*	1	EA	NO LONGER AVAILABLE, Not available online / Call for pricing and availability
NI	G32012720EP	27" DOOR ASSY W/O LOGO *EP*	1	EA	NO LONGER AVAILABLE, Not available online / Call for pricing and availability
NI	G32012720EPBR	27" DOOR ASSY W/O LOGO *EPBR*	1	EA	NO LONGER AVAILABLE, Not available online / Call for pricing and availability
NI	G32012720FG	27" DOOR ASSY W/O LOGO *FG*	1	EA	NO LONGER AVAILABLE, Not available online / Call for pricing and availability
NI	G32012720FGBR	27" DOOR ASSY W/O LOGO *FGBR*	1	EA	NO LONGER AVAILABLE, Not available online / Call for pricing and availability
NI	G32012720GG	27" DOOR ASSY W/O LOGO *GG*	1	EA	NO LONGER AVAILABLE, Not available online / Call for pricing and availability
NI	G32012720GGBR	27" DOOR ASSY W/O LOGO *GGBR*	1	EA	NO LONGER AVAILABLE, Not available online / Call for pricing and availability
NI	G32012720LE	27" DOOR ASSY W/O LOGO *LE*	1	EA	NO LONGER AVAILABLE, Not available online / Call for pricing and availability
NI	G32012720LEBR	27" DOOR ASSY W/O LOGO *LEBR*	1	EA	NO LONGER AVAILABLE, Not available online / Call for pricing and availability
NI	G32012720MJ	27" DOOR ASSY W/O LOGO *MJ*	1	EA	NO LONGER AVAILABLE, Not available online / Call for pricing and availability
NI	G32012720MJBR	27" DOOR ASSY W/O LOGO *MJBR*	1	EA	NO LONGER AVAILABLE, Not available online / Call for pricing and availability





Item	Part No.	Name	Qty	Uom	NOTES
NI	G32012720SG	27" DOOR ASSY W/O LOGO *SG*	1	EA	NO LONGER AVAILABLE, Not available online / Call for pricing and availability
NI	G32012720SGBR	27" DOOR ASSY W/O LOGO *SGBR*	1	EA	NO LONGER AVAILABLE, Not available online / Call for pricing and availability
NI	G32012720SS	27" DOOR ASSY W/O LOGO	1	EA	
NI	G32012720SSBR	27" DOOR ASSY W/O LOGO *SSBR*	1	EA	NO LONGER AVAILABLE, Not available online / Call for pricing and availability
NI	G32012720VB	27" DOOR ASSY W/O LOGO *VB*	1	EA	NO LONGER AVAILABLE, Not available online / Call for pricing and availability
NI	G32012720VBBR	27" DOOR ASSY W/O LOGO *VBBR*	1	EA	NO LONGER AVAILABLE, Not available online / Call for pricing and availability
NI	G32012720WH	27" DOOR ASSY W/O LOGO *WH*	1	EA	NO LONGER AVAILABLE, Not available online / Call for pricing and availability
NI	G32012720WHBR	27" DOOR ASSY W/O LOGO *WHBR*	1	EA	NO LONGER AVAILABLE, Not available online / Call for pricing and availability
NI	017736-000	WINDOW PACK INSULATION KIT	1	EA	

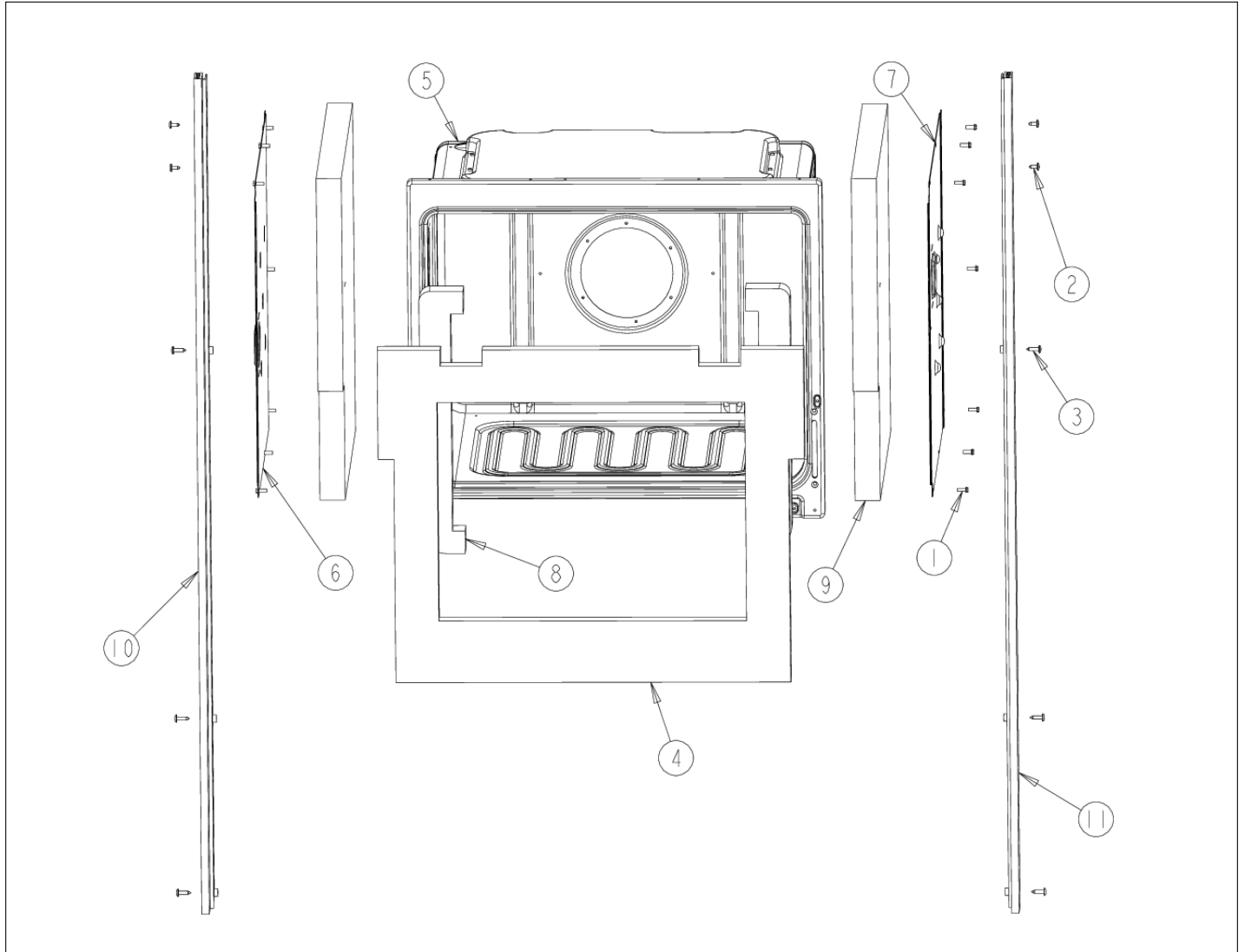
UPPER OVEN CAVITY





Item	Part No.	Name	Qty	Uom	NOTES
1	PD020060	10 X 1/2" (5/16)HEX WSHER HD.(T)A		EA	
2	PB070273	Window Pack Insulation		EA	
3	PB070306	Top Broil Insulation		EA	Not available online / Call for pricing and availability
4	PB070307	Top Insulation		EA	Not available online / Call for pricing and availability
5	A2009641	BRKT, TOP WRAPPER		EA	
6	024040-000	SEALED BROIL ELEMENT W/GLASS		EA	
7	PB070336	Door Bracket Insulation		EA	
8	PB070337	Liner Insulation		EA	
9	PD020055	#10 X 1/2" PAN PHIL. TEK. SS		EA	
10	024234-000	PREMIERE BROIL ELEMENT BRACKET FRONT		EA	
11	024221-000	BROIL ELEMENT BRACKET REAR		EA	
12	PE050206	RTD THERMOSTAT PROBE		EA	
13	PM010014	SMOKE ELIMINATOR (VDSC)		EA	
14	PB020275	VENT TUBE		EA	
15	PE050205	Top Halogen Light		EA	
NI	020403-000	BJB SLIMLINE 40W BULB		EA	

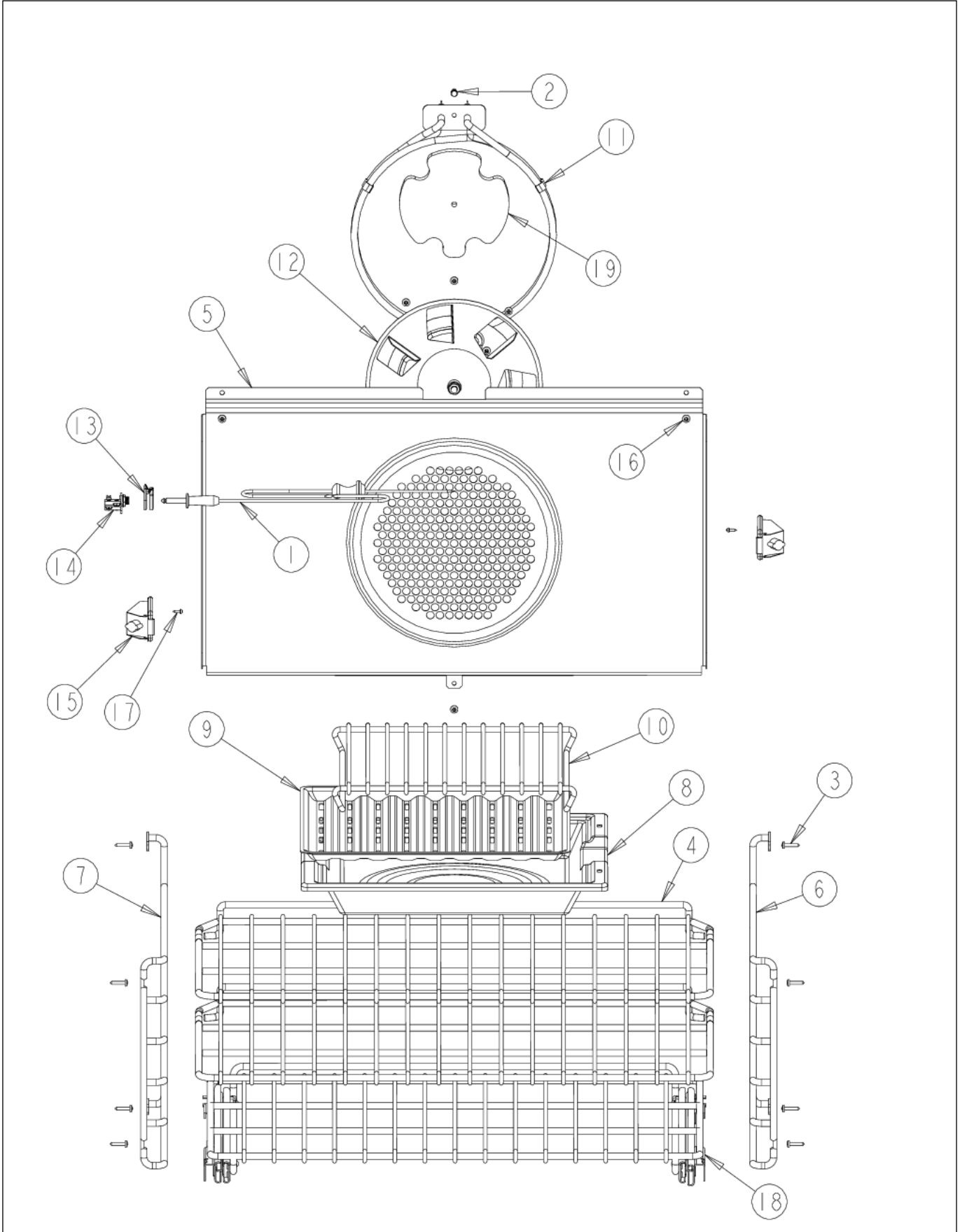
UPPER OVEN CAVITY EXTERIOR





Item	Part No.	Name	Qty	Uom	NOTES
1	PD020060	10 X 1/2" (5/16)HEX WSHER HD.(T)A	1	EA	
2	PD020002	10 X 1/2 PH TR HD SMS	1	EA	
3	PD020014	10X3/4 PH TR HD SMS	1	EA	
4	PB070276	27" DOOR INSULATION	1	EA	
5	G91014042	27" PREMIERE CAVITY ASSY	1	EA	
6	A20012650	BRKT, TOP WRAPPER LEFT	1	EA	Not available online / Call for pricing and availability
7	A2009622	BRKT, TOP WRAPPER, RIGHT	1	EA	Not available online / Call for pricing and availability
8	PB070271	DOOR PLUG INSULATION	1	EA	
9	PB070302	SIDE INSULATION	1	EA	
10	PE040278	PROF. DOUBLE SIDE TRIM LH	1	EA	
11	PE040277	PROF. DOUBLE SIDE TRIM RH	1	EA	

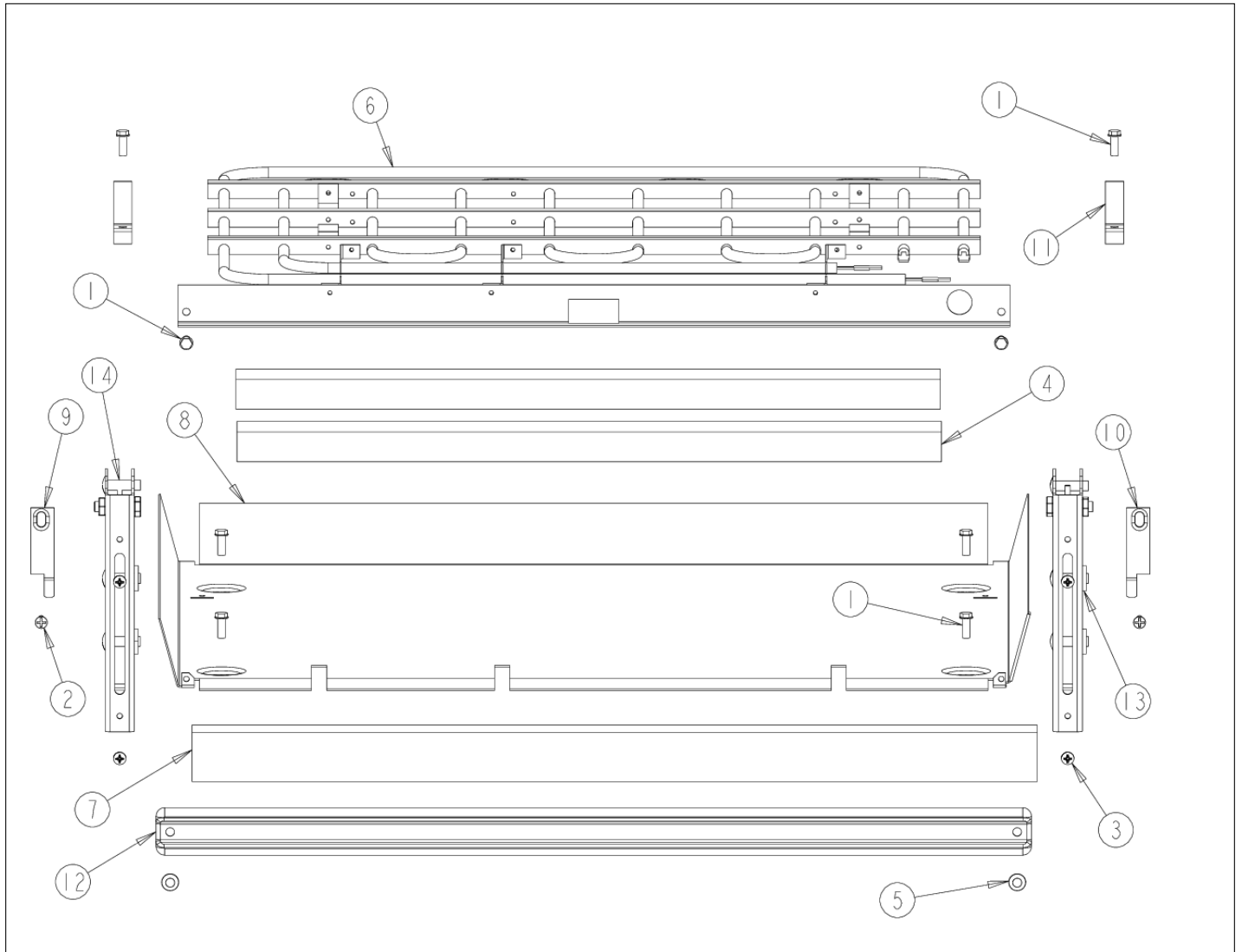
UPPER OVEN CAVITY INTERIOR





Item	Part No.	Name	Qty	Uom	NOTES
1	PE050114	MEAT PROBE (DESO/DEDO) (SWITCHCRAFT'S PART # 4C7919)	1	EA	
2	PD020060	10 X 1/2" (5/16)HEX WSHER HD.(T)A	1	EA	
3	PD020232	NO.8 X 3/4 PH PAN HEAD TEK SCREW (BLACK OXIDE)	1	EA	
4	041045-000	27" OVEN RACK	1	EA	
5	G91013597	27" BAFFLE ASSEMBLY	1	EA	
6	PB060103	RACK SUPPORT RH	1	EA	
7	PB060104	RACK SUPPORT LH	1	EA	
8	E9107933	BROILER PAN	1	EA	
9	E9107934	BROILER PAN INSERT - NLA	1	EA	
10	PB080020	BROILER PAN RACK	1	EA	
11	PJ010047	CONVECTION ELEMENT	1	EA	
12	G32014020	CONVECTION FAN ASSY	1	EA	
13	PM010160	MEAT PROBE JACK COVER	1	EA	
14	PE050115	MEAT PROBE JACK	1	EA	
Comments for Part Num. PE050115  bradleysapplianceservice@shaw.ca on May 8, 2017 Meat probe is not illustrated on Parts Break Down. PE050114 MEAT PROBE					
15	PE050056	OVEN LIGHT ASSY 12V/5W	1	EA	
Not Shown	NOTE	(BEFORE SERIAL # C-0396)		EA	
NI	005311-000	LAMP, OVEN, 120V/25W	1	EA	
Not Shown	NOTE	(AFTER SERIAL # C-0396)		EA	
16	PD020055	#10 X 1/2" PAN PHIL. TEK. SS	1	EA	
17	PD020013	TYPE "AB" #6 X 3/8 PH PAN HD. SMS	1	EA	
18	024737-000	27" SLIDING OVEN RACK	1	EA	
19	PB070312	CONVECTION MOTOR MTG. PLATE INSULATION	1	EA	

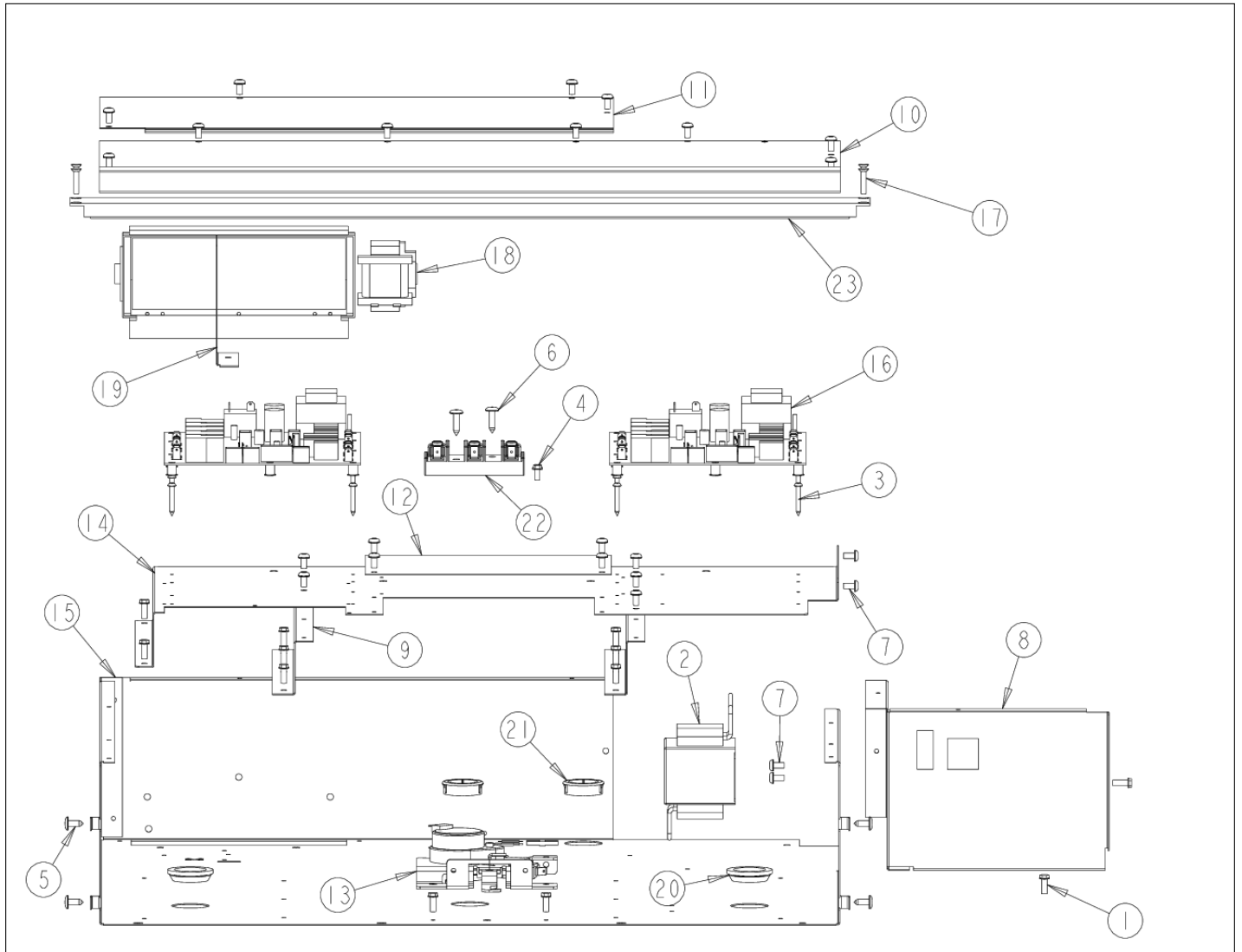
UPPER OVEN LOWER AREA



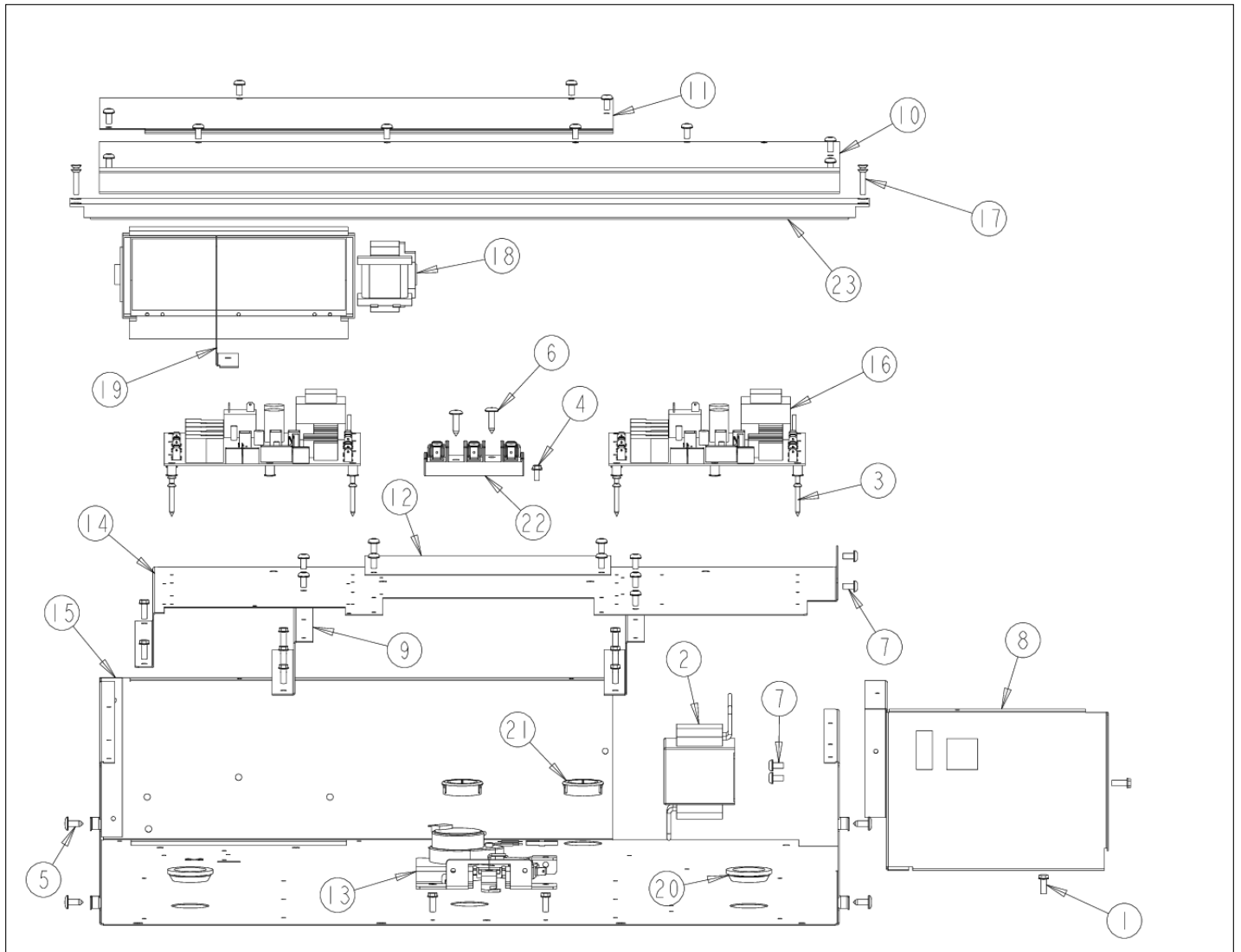


Item	Part No.	Name	Qty	Uom	NOTES
1	PD020060	10 X 1/2" (5/16)HEX WSHER HD.(T)A	1	EA	
2	PD020061	SCREW	1	EA	
3	PD020062	#8-32 X 3/8 PHMS TYPE 1	1	EA	
4	PB070273	Window Pack Insulation	1	EA	
5	PD020063	SCREW-#8(A) X 3/8"PH WFR HD/BK OXID	1	EA	
6	PJ010048	BAKE ELEMENT	1	EA	
7	PB070309	BAKE ELEMENT INSULATION	1	EA	
8	A20010932	ELEMENT, MTG TRAY	1	EA	
9	B21010916	LH HINGE CLIP	1	EA	
10	B21010915	RH HINGE CLIP	1	EA	
11	A2009696	HOLDER, BAKE ELEMENT	1	EA	
12	E9109655	COVER, BAKE TRAY	1	EA	
13	PC020221	HINGE POCKET RECEIVER MANSFIELD RH	1	EA	
14	PC020247	HINGE POCKET RECEIVER MANSFIELD LH	1	EA	

UPPER UNIT AREA AFTER 07-20-06



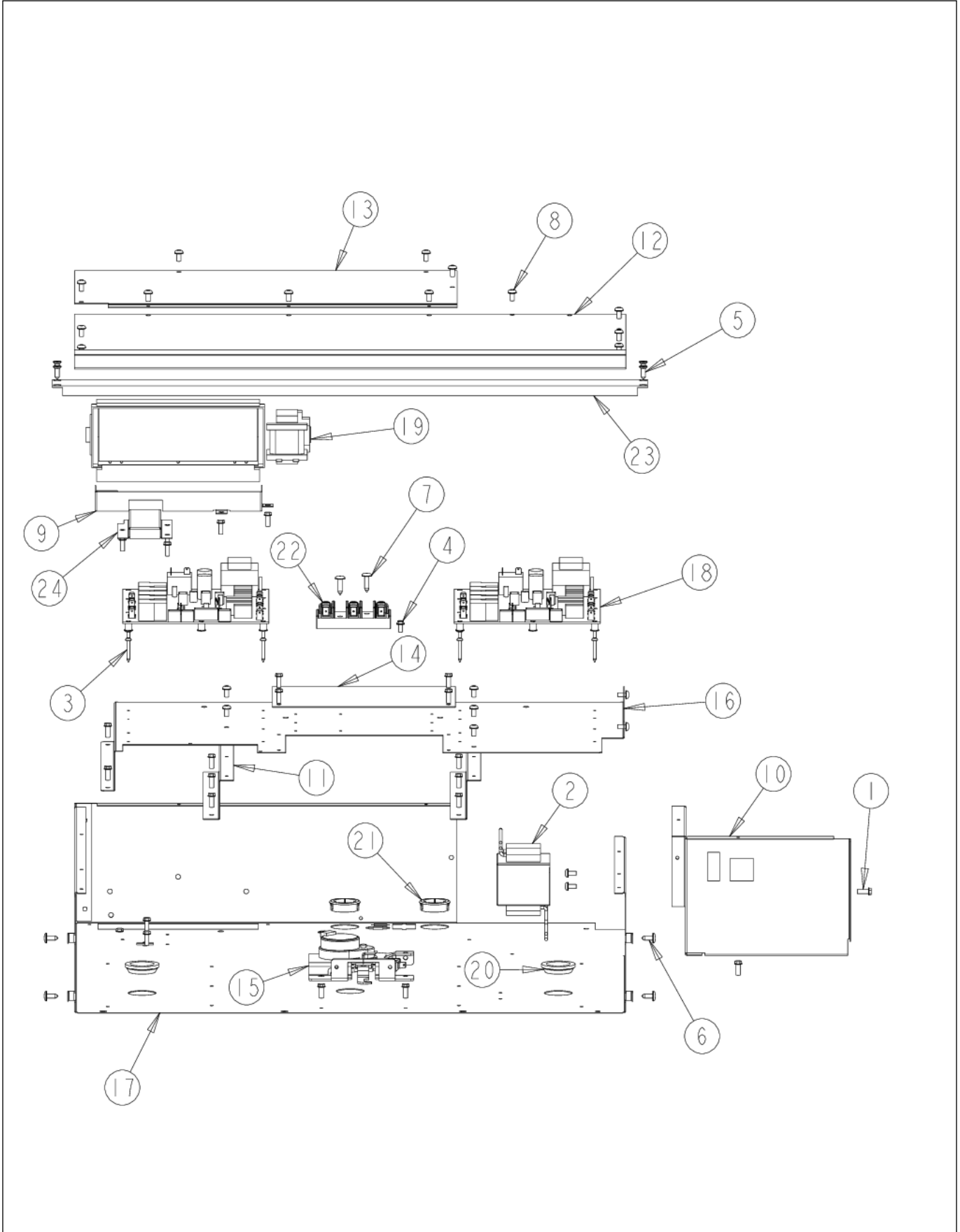
Item	Part No.	Name	Qty	Uom	NOTES
1	PD020060	10 X 1/2" (5/16)HEX WSHER HD.(T)A	1	EA	
2	PE070634	HALOGEN LIGHT TRANSFORMER	1	EA	NO LONGER AVAILABLE
Not Shown	NOTE	(Used only on units before serial # C-0396)		EA	
3	PD020185	Screw, 6 X 1" Pan Head	1	EA	
4	PD020010	10 X 3/8 GREEN GROUNDING SCREW	1	EA	
5	PD020002	10 X 1/2 PH TR HD SMS	1	EA	
6	PD020014	10X3/4 PH TR HD SMS	1	EA	
7	PD020004	10X3/8PH.HD.TYPE 25 REPL PD040125	1	EA	
8	A20010934	BRACKET, MODULE PAN	1	EA	
9	A20010910	BRACKET, SUPPORT, ELECTRONICS HAT	1	EA	
10	A20014046	Front Cover	1	EA	Not available online / Call for pricing and availability
11	A20014047	27" REAR COVER	1	EA	
12	A10010911	Latch Cover	1	EA	
13	013250-000	LATCH,DOOR,ASM,240V,GRID DLE LOCKOUT	1	EA	
14	A20010935	ELECTRONICS HAT	1	EA	
15	A20010933	MODULE PAN 27"	1	EA	
16	002406-000	CONTROL BOARD	1	EA	
<p>Comments for Part Num. 002406-000</p> <p>haarnink@vikingrange.com on Jun 18, 2015</p> <p>For the international E Model numbers EVDSC5 we need to add the info that sins First unit was EVDSC530S4B: 092314C10147281 any EVDSC built in 2014 went into production with EOC4. so here we need to add the part number 014000-000 EOC4 plus the SMPS part number 013999-000</p>					
17	PD020170	Screw, 6 X 1 Pan Hd	1	EA	
18	PE050250	Blower	1	EA	





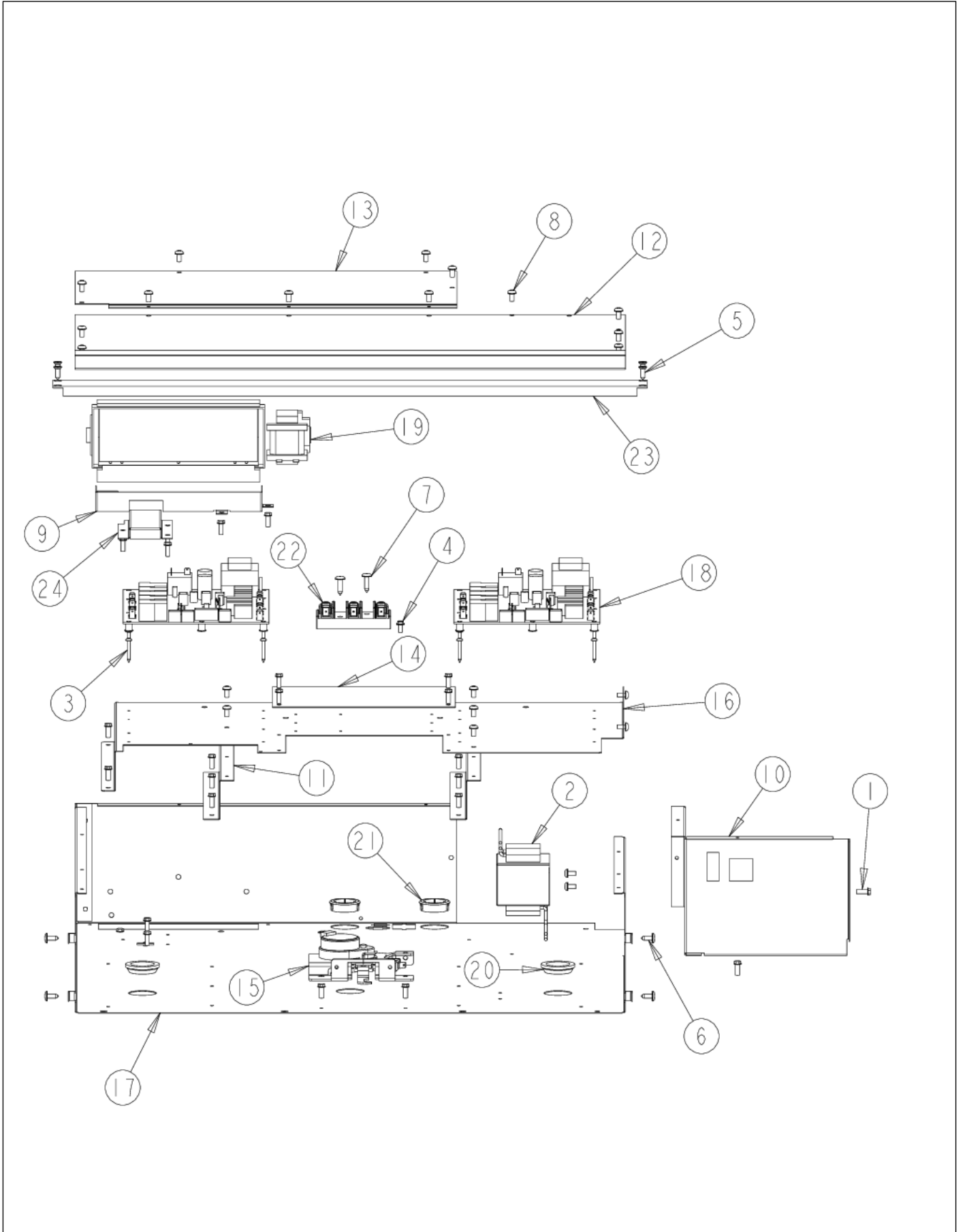
Item	Part No.	Name	Qty	Uom	NOTES
Comments for Part Num. PE050250					
highendappsvc@gmail.com on Jan 28, 2019					
If you need to replace cooling fan for the model vgsc5486gss serial date code 031412, do not order this fan, this fan is larger and configured wrong. The correct fan is 007794-000. it is smaller.					
Not Shown	NOTE	BEFORE 2/4/2013		EA	
18	018607-000	FAN, BLO, 220-240V 50/60 HZ ASM	1	EA	
Not Shown	NOTE	AFTER 2/4/2013		EA	
19	A2009667	REAR AIR DIVIDER	1	EA	
20	PB070079	SILICONE EXTRUSION (DGSU)	1	EA	
21	PD040152	SNAP BUSHING	1	EA	
22	PE070147	TERMINAL BLOCK (VDSC)	1	EA	
23	PE040271	27" PROF. TOP TRIM	1	EA	

UPPER UNIT AREA BEFORE 07-20-06





Item	Part No.	Name	Qty	Uom	NOTES
1	PD020060	10 X 1/2" (5/16)HEX WSHER HD.(T)A	1	EA	
2	PE070634	HALOGEN LIGHT TRANSFORMER	1	EA	NO LONGER AVAILABLE
3	PD020185	Screw, 6 X 1" Pan Head	1	EA	
4	PD020010	10 X 3/8 GREEN GROUNDING SCREW	1	EA	
5	PD020045	' #8 X 1/2" PH FLAT TEK (ZINC)	1	EA	
6	PD020002	10 X 1/2 PH TR HD SMS	1	EA	
7	PD020014	10X3/4 PH TR HD SMS	1	EA	
8	PD020004	10X3/8PH.HD.TYPE 25 REPL PD040125	1	EA	
9	A20014035	27" BLOWER BRACKET	1	EA	NO LONGER AVAILABLE, Not available online / Call for pricing and availability
10	A20010934	BRACKET, MODULE PAN	1	EA	
11	A20010910	BRACKET, SUPPORT, ELECTRONICS HAT	1	EA	
12	A20014046	Front Cover	1	EA	Not available online / Call for pricing and availability
13	A20014047	27" REAR COVER	1	EA	
14	A10010911	Latch Cover	1	EA	
15	013250-000	LATCH,DOOR,ASM,240V,GRID DLE LOCKOUT	1	EA	
16	A20010935	ELECTRONICS HAT	1	EA	
17	A20010933	MODULE PAN 27"	1	EA	
18	002406-000	CONTROL BOARD	1	EA	
Comments for Part Num. 002406-000  haarnink@vikingrange.com on Jun 18, 2015 For the international E Model numbers EVDSC5 we need to add the info that sins First unit was EVDSC530S4B: 092314C10147281 any EVDSC built in 2014 went into production with EOC4. so here we need to add the part number 014000-000 EOC4 plus the SMPS part number 013999-000					
19	PE050250	Blower	1	EA	





Item	Part No.	Name	Qty	Uom	NOTES
Comments for Part Num. PE050250					
highendappsvc@gmail.com on Jan 28, 2019					
If you need to replace cooling fan for the model vgsc5486gss serial date code 031412, do not order this fan, this fan is larger and configured wrong. The correct fan is 007794-000. it is smaller.					
20	PB070079	SILICONE EXTRUSION (DGSU)	1	EA	
21	PD040152	SNAP BUSHING	1	EA	
22	PE070147	TERMINAL BLOCK (VDSC)	1	EA	
23	PE040271	27" PROF. TOP TRIM	1	EA	
24	A20014033	UPPER VENT COVER	1	EA	NO LONGER AVAILABLE, Not available online / Call for pricing and availability



Appendix A:Pages Index

CONTROL AREA ..... 1  
LOWER CONTROL HARNESS ..... 2  
LOWER DOOR ASSEMBLY ..... 3  
LOWER LATCH HARNESS ..... 4  
LOWER OVEN CAVITY EXTERIOR ..... 5  
LOWER OVEN CAVITY INTERIOR ..... 6  
LOWER OVEN LOWER AREA ..... 7  
MIDDLE UNIT AREA ..... 8  
REAR UNIT AREA ..... 9  
SIMPLE HARNESSES 1 ..... 10  
SIMPLE HARNESSES 2 ..... 11  
UPPER CONTROL HARNESS ..... 12  
UPPER DOOR ASSEMBLY ..... 13  
UPPER OVEN CAVITY ..... 14  
UPPER OVEN CAVITY EXTERIOR ..... 15  
UPPER OVEN CAVITY INTERIOR ..... 16  
UPPER OVEN LOWER AREA ..... 17  
UPPER UNIT AREA AFTER 07-20-06 ..... 18  
UPPER UNIT AREA BEFORE 07-20-06 ..... 19



Appendix B:Parts Index

000268-000	3, 13	A20014036	8
000594-000	3, 13	A20014046	18, 19
001097-000	6	A20014047	18, 19
001501-000	3, 13	A20014061	1
001503-000	3, 13	A20014063	1
002406-000	18, 19	A20014089	8
005311-000	6, 16	A2009622	5, 15
013250-000	8, 18, 19	A2009641	14
017736-000	3, 13	A2009659	8
018607-000	8, 18	A2009667	18
020403-000	14	A2009671	9
023798-000	3, 13	A2009684	9
024040-000	14	A2009696	7, 17
024221-000	14	A2009697	9
024234-000	14	A21010918	9
024737-000	6, 16	A21010919	9
036047-000	1	B21010915	7, 17
041045-000	6, 16	B21010916	7, 17
050172-000	1	B92012635	1
A10010907	9	B92014067	1
A10010911	18, 19	C90010956BK	7
A10014027	1	C90012803BK	8
A1002456	8	C90014073BK	1
A20010910	18, 19	C92012635BK	1
A20010931	9	C92012635WH	1
A20010932	7, 17	C92014067BK	1
A20010933	18, 19	C92014067WH	1
A20010934	18, 19	E91014053	5
A20010935	18, 19	E9107933	16
A20010949	3, 13	E9107934	16
A20012640	3, 13	E9109655	7, 17
A20012641	3, 13	G30010922	7
A20012649	1, 8	G32012719AL	3
A20012650	5, 15	G32012719ALBR	3
A20012802	8	G32012719BK	3
A20012807	9	G32012719BKBR	3
A20012808	8	G32012719BT	3
A20012809	9	G32012719BTBR	3
A20014033	19	G32012719BU	3
A20014035	19	G32012719BUBR	3
		G32012719CB	3



G32012719CBBR	3	G32012720SS	13
G32012719EP	3	G32012720SSBR	13
G32012719EPBR	3	G32012720VB	13
G32012719FG	3	G32012720VBBR	13
G32012719FGBR	3	G32012720WH	13
G32012719GG	3	G32012720WHBR	13
G32012719GGBR	3	G32014020	6, 16
G32012719LE	3	G40015469	1
G32012719LEBR	3	G4005494	10
G32012719MJ	3	G4005496	10
G32012719MJBR	3	G4005497	10
G32012719SG	3	G4005499	10
G32012719SGBR	3	G50015481	1
G32012719SS	3	G91010942	3, 13
G32012719SSBR	3	G91013597	6, 16
G32012719VB	3	G91014042	5, 15
G32012719VBBR	3	PB010304PVD	1
G32012719WH	3	PB010305	1
G32012719WHBR	3	PB010306	1
G32012720AL	13	PB010307	1
G32012720ALBR	13	PB010308	1
G32012720BK	13	PB010309	1
G32012720BKBR	13	PB010310	1
G32012720BT	13	PB010311	1
G32012720BTBR	13	PB010312	1
G32012720BU	13	PB020071	9
G32012720BUBR	13	PB020275	14
G32012720CB	13	PB040070	9
G32012720CBBR	13	PB060103	6, 16
G32012720EP	13	PB060104	6, 16
G32012720EPBR	13	PB070079	8, 18, 19
G32012720FG	13	PB070245	3, 13
G32012720FGBR	13	PB070271	3, 5, 13, 15
G32012720GG	13	PB070273	3, 7, 13, 14, 17
G32012720GGBR	13	PB070276	3, 5, 13, 15
G32012720LE	13	PB070300	7
G32012720LEBR	13	PB070301	9
G32012720MJ	13	PB070302	5, 15
G32012720MJBR	13	PB070306	14
G32012720SG	13	PB070307	14
G32012720SGBR	13	PB070309	7, 17



PB070312	6, 16	PE050056	6, 16
PB070321	8	PE050072	1
PB070336	3, 13, 14	PE050114	16
PB070337	14	PE050115	16
PB080020	16	PE050205	14
PC020221	7, 17	PE050206	14
PC020247	7, 17	PE050208	1, 8
PD020002	3, 13, 15, 18, 19	PE050214	1
PD020004	1, 3, 8, 13, 18, 19	PE050250	8, 18, 19
PD020010	18, 19	PE060093	3, 13
PD020013	1, 6, 8, 16	PE070147	18, 19
PD020014	15, 18, 19	PE070634	18, 19
PD020032	3, 13	PE070733	10
PD020045	7, 19	PE070736	2
PD020055	6, 14, 16	PE070738	10
PD020060	1, 5, 6, 7, 8, 9, 14, 15, 16, 17, 18, 19	PE070739	10
PD020061	7, 17	PE070740	4
PD020062	7, 17	PE070741	11
PD020063	3, 7, 8, 13, 17	PE070742	12
PD020170	18	PE070744	11
PD020185	18, 19	PE070795	11
PD020186	3, 13	PJ010047	6, 16
PD020232	6, 16	PJ010048	7, 17
PD020261	1	PJ030033	1
PD030006	3	PJ030035	1
PD030172	1	PJ030039	8
PD040004	1, 8	PJ030043	1
PD040152	18, 19	PM010014	14
PD040164	1	PM010160	16
PE010016	3	PS500014AL	3
PE010017	3	PS500014ALBR	3
PE010079	3	PS500014BK	3
PE010080	3	PS500014BKBR	3
PE030001PVD	3, 13	PS500014BT	3
PE030178	3, 13	PS500014BTBR	3
PE030178PVD	3, 13	PS500014BU	3
PE040271	18, 19	PS500014BUBR	3
PE040272	7	PS500014CB	3
PE040277	15	PS500014CBBR	3
PE040278	15	PS500014CW	3
PE050023	1	PS500014EP	3



PS500014EPBR	3	PS500016SSBR	13
PS500014FG	3	PS500016VB	13
PS500014FGBR	3	PS500016VBBR	13
PS500014GG	3	PS500016WH	13
PS500014GGBR	3	PS500016WHBR	13
PS500014LE	3	PS500018AL	3
PS500014LEBR	3	PS500018ALBR	3
PS500014MJ	3	PS500018BK	3
PS500014MJBR	3	PS500018BKBR	3
PS500014SG	3	PS500018BT	3
PS500014SGBR	3	PS500018BTBR	3
PS500014SS	3	PS500018BU	3
PS500014SSBR	3	PS500018BUBR	3
PS500014VB	3	PS500018CB	3
PS500014VBBR	3	PS500018CBBR	3
PS500014WH	3	PS500018EP	3
PS500014WHBR	3	PS500018EPBR	3
PS500016AL	13	PS500018FG	3
PS500016ALBR	13	PS500018FGBR	3
PS500016BK	13	PS500018GG	3
PS500016BKBR	13	PS500018GGBR	3
PS500016BT	13	PS500018LE	3
PS500016BTBR	13	PS500018LEBR	3
PS500016BU	13	PS500018MJ	3
PS500016BUBR	13	PS500018MJBR	3
PS500016CB	13	PS500018SG	3
PS500016CBBR	13	PS500018SGBR	3
PS500016CW	3	PS500018SS	3
PS500016EP	13	PS500018SSBR	3
PS500016EPBR	13	PS500018VB	3
PS500016FG	13	PS500018VBBR	3
PS500016FGBR	13	PS500018WH	3
PS500016GG	13	PS500018WHBR	3
PS500016GGBR	13	PS500020AL	13
PS500016LE	13	PS500020ALBR	13
PS500016LEBR	13	PS500020BK	13
PS500016MJ	13	PS500020BKBR	13
PS500016MJBR	13	PS500020BT	13
PS500016SG	13	PS500020BTBR	13
PS500016SGBR	13	PS500020BU	13
PS500016SS	13	PS500020BUBR	13





PS500020CB ..... 13  
PS500020CBBR ..... 13  
PS500020EP ..... 13  
PS500020EPBR ..... 13  
PS500020FG ..... 13  
PS500020FGBR ..... 13  
PS500020GG ..... 13  
PS500020GGBR ..... 13  
PS500020LE ..... 13  
PS500020LEBR ..... 13  
PS500020MJ ..... 13  
PS500020MJBR ..... 13  
PS500020SG ..... 13  
PS500020SGBR ..... 13  
PS500020SS ..... 13  
PS500020SSBR ..... 13  
PS500020VB ..... 13  
PS500020VBRR ..... 13  
PS500020WH ..... 13  
PS500020WHBR ..... 13