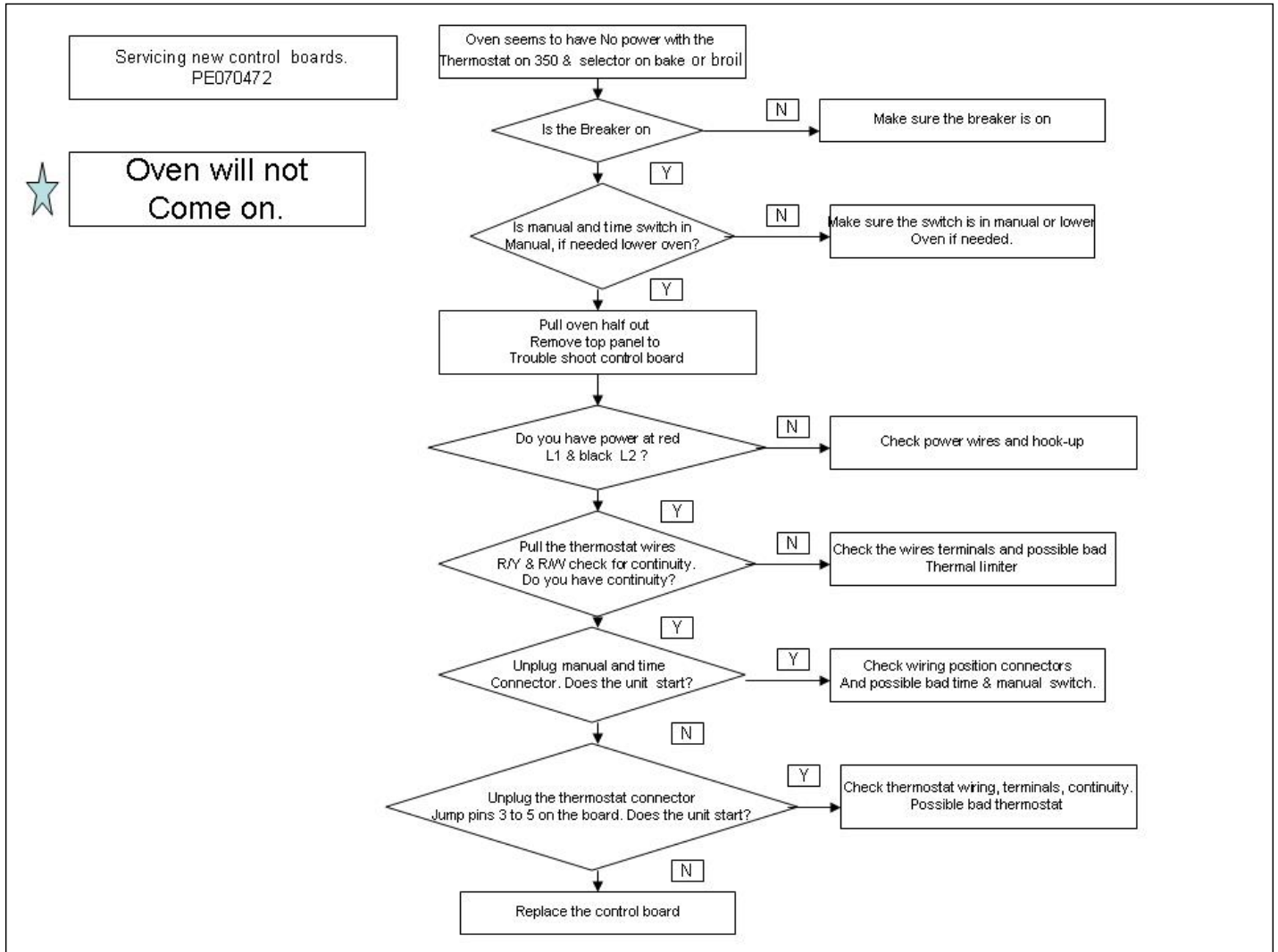


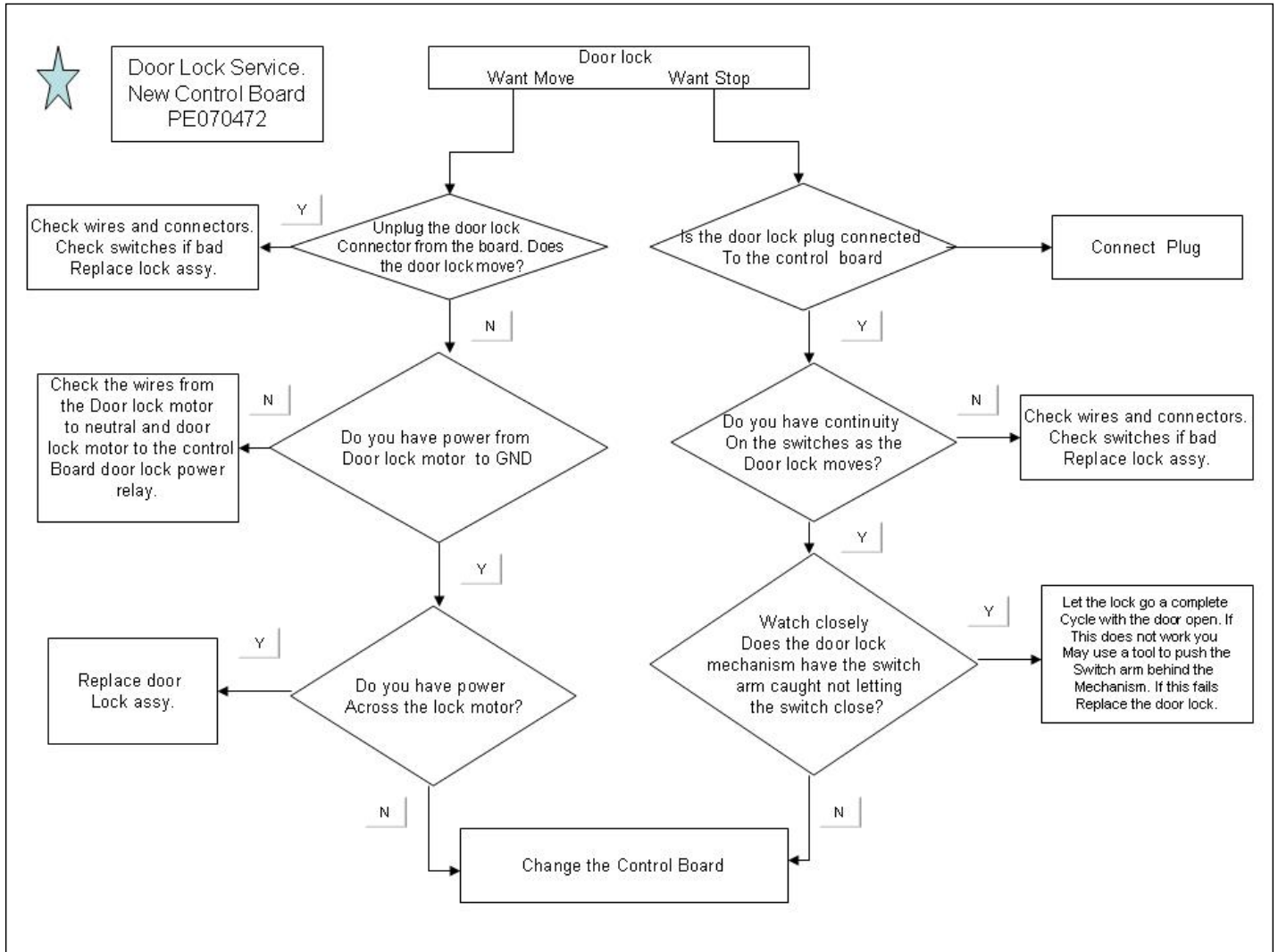
VEDO265

FLOWCHART NEW BOARD BAKE	1
FLOWCHART NEW BOARD DOOR LOCK	2
FLOWCHART SELF CLEAN	3
LOWER DOOR	4
LOWER OVEN	5
REAR ASSY	6
UPPER DOOR	7
UPPER OVEN	8
UPPER UNIT ASSEMBLY	9
WIRING	10
Appendix A:Pages Index	A
Appendix B:Parts Index	B

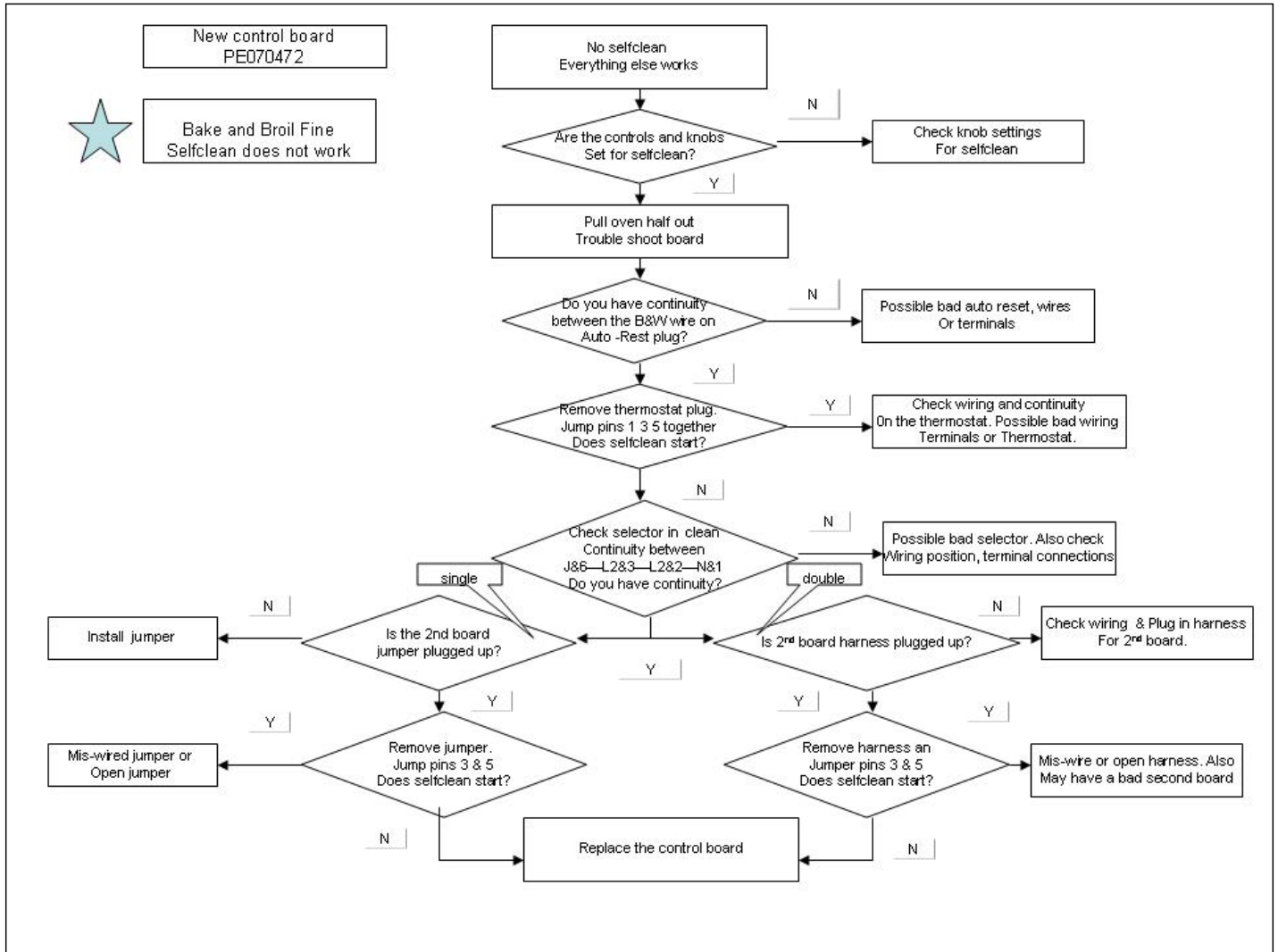
FLOWCHART NEW BOARD BAKE



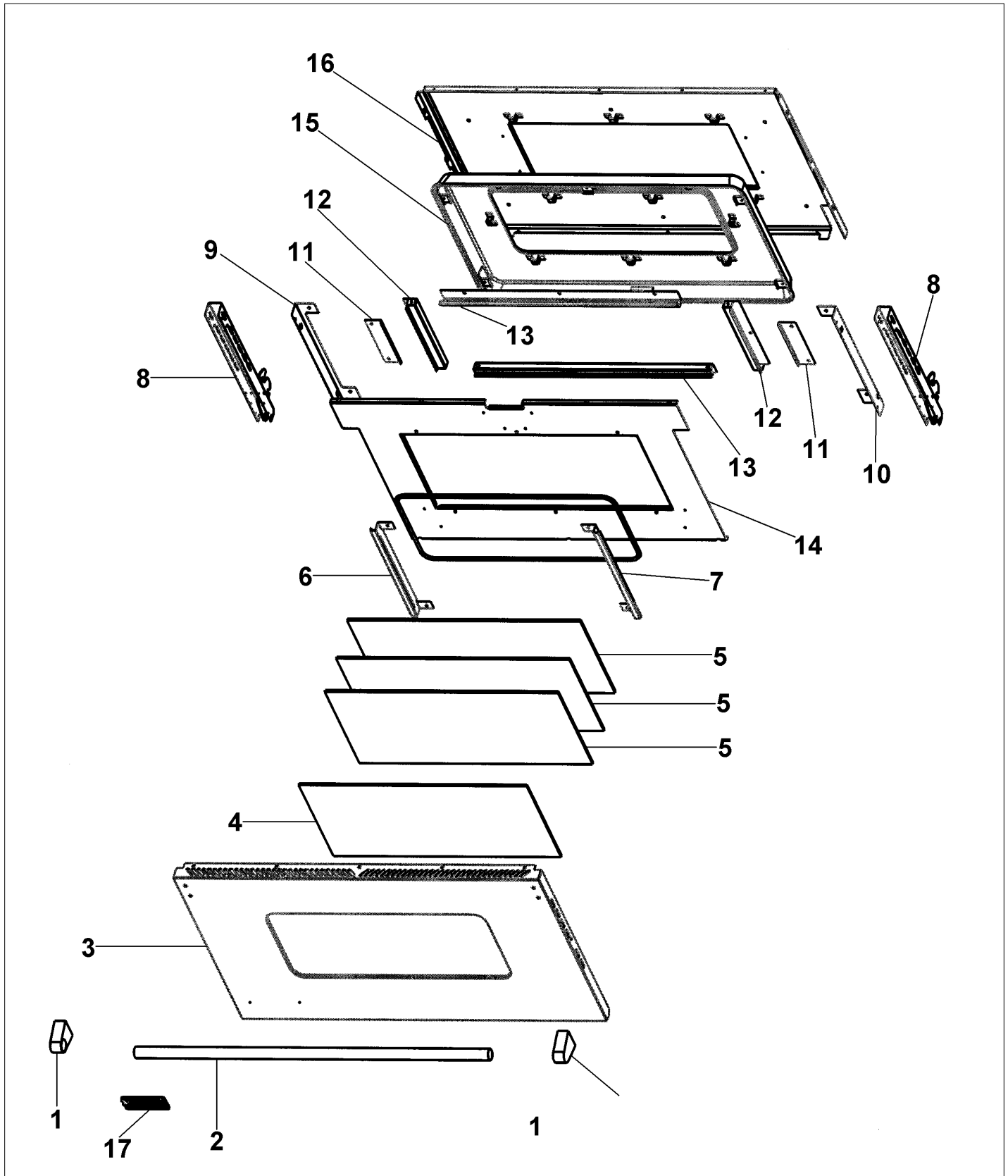
FLOWCHART NEW BOARD DOOR LOCK



FLOWCHART SELF CLEAN

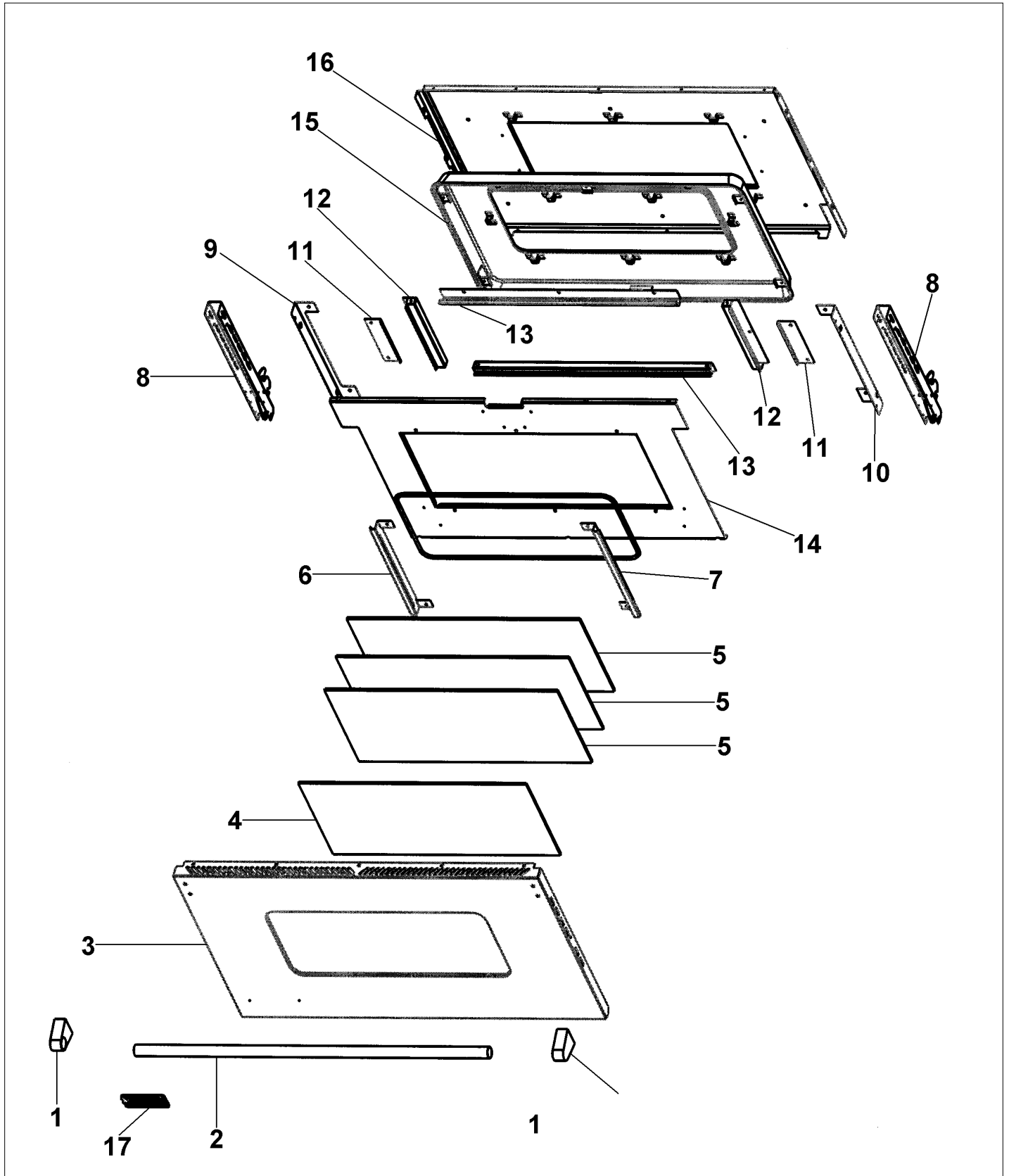


LOWER DOOR



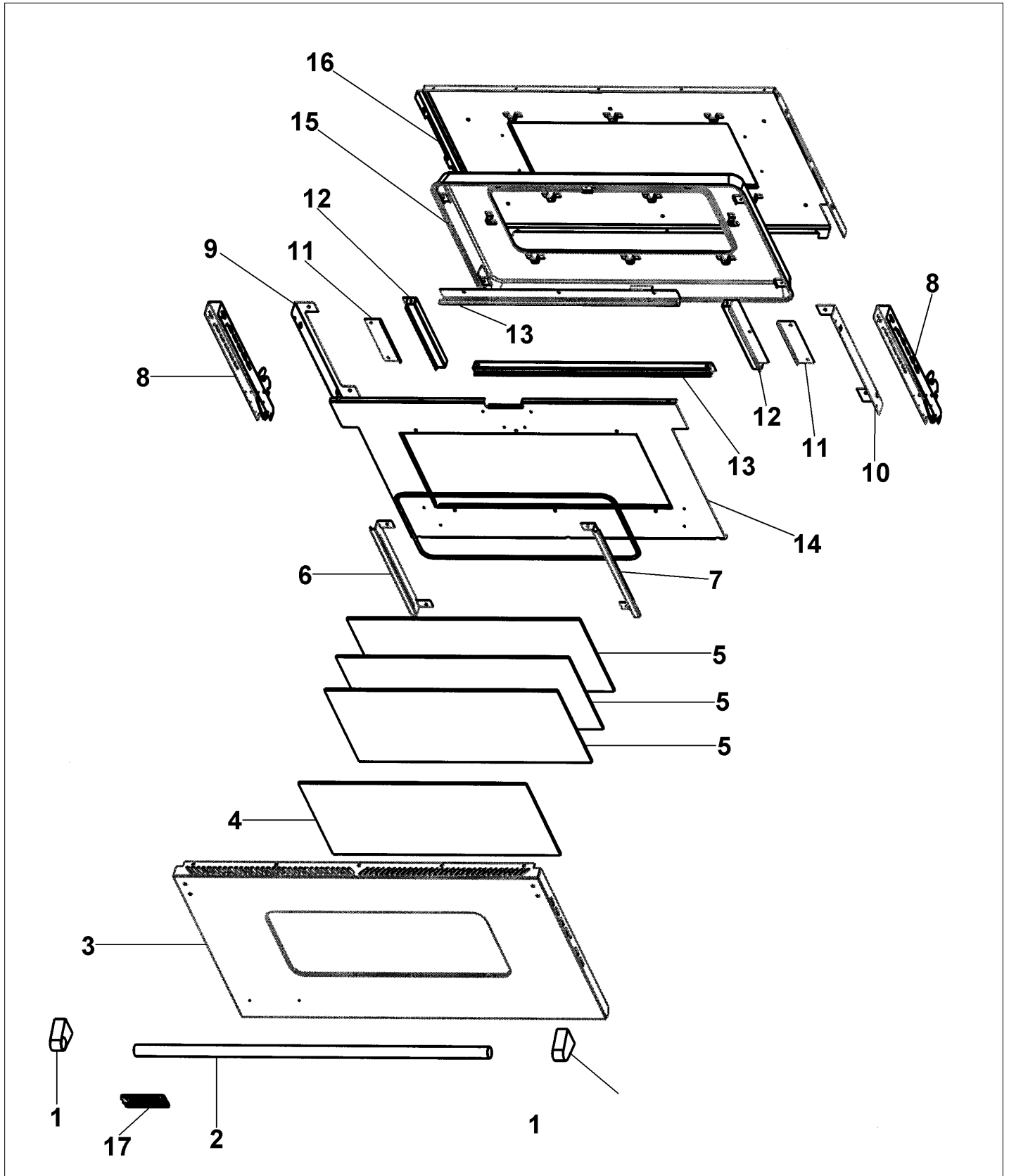


Item	Part No.	Name	Qty	Uom	NOTES
1	000268-000	HANDLE ENDCAP	1	EA	
Not Shown	PE030001PVD	END CAP DOOR HANDLE *BR	1	EA	
2	PE030133	DOOR HANDLE 36" (VESO/VEDO)	1	EA	Not available online / Call for pricing and availability
Not Shown	PE030133PVD	DOOR HANDLE 36" (VESO/VEDO) PVD	1	EA	NO LONGER AVAILABLE, Not available online / Call for pricing and availability
3	B2008504	OUTTER DOOR PANEL	1	EA	
Not Shown	C9008504AL	OUTER DOOR PANEL *AL*	1	EA	NO LONGER AVAILABLE, Not available online / Call for pricing and availability
Not Shown	C9008504BK	OUTISDE DOOR PANEL *BK*	1	EA	Not available online / Call for pricing and availability
Not Shown	C9008504BT	OUTISDE DOOR PANEL *BT*	1	EA	NO LONGER AVAILABLE, Not available online / Call for pricing and availability
Not Shown	C9008504BU	OUTISDE DOOR PANEL *BU*	1	EA	NO LONGER AVAILABLE
Not Shown	C9008504CB	OUTISDE DOOR PANEL *CB*	1	EA	NO LONGER AVAILABLE, Not available online / Call for pricing and availability
Not Shown	C9008504EP	OUTISDE DOOR PANEL *EP*	1	EA	NO LONGER AVAILABLE, Not available online / Call for pricing and availability
Not Shown	C9008504FG	OUTISDE DOOR PANEL *FG*	1	EA	NO LONGER AVAILABLE, Not available online / Call for pricing and availability
Not Shown	C9008504GG	OUTISDE DOOR PANEL *GG*	1	EA	NO LONGER AVAILABLE, Not available online / Call for pricing and availability



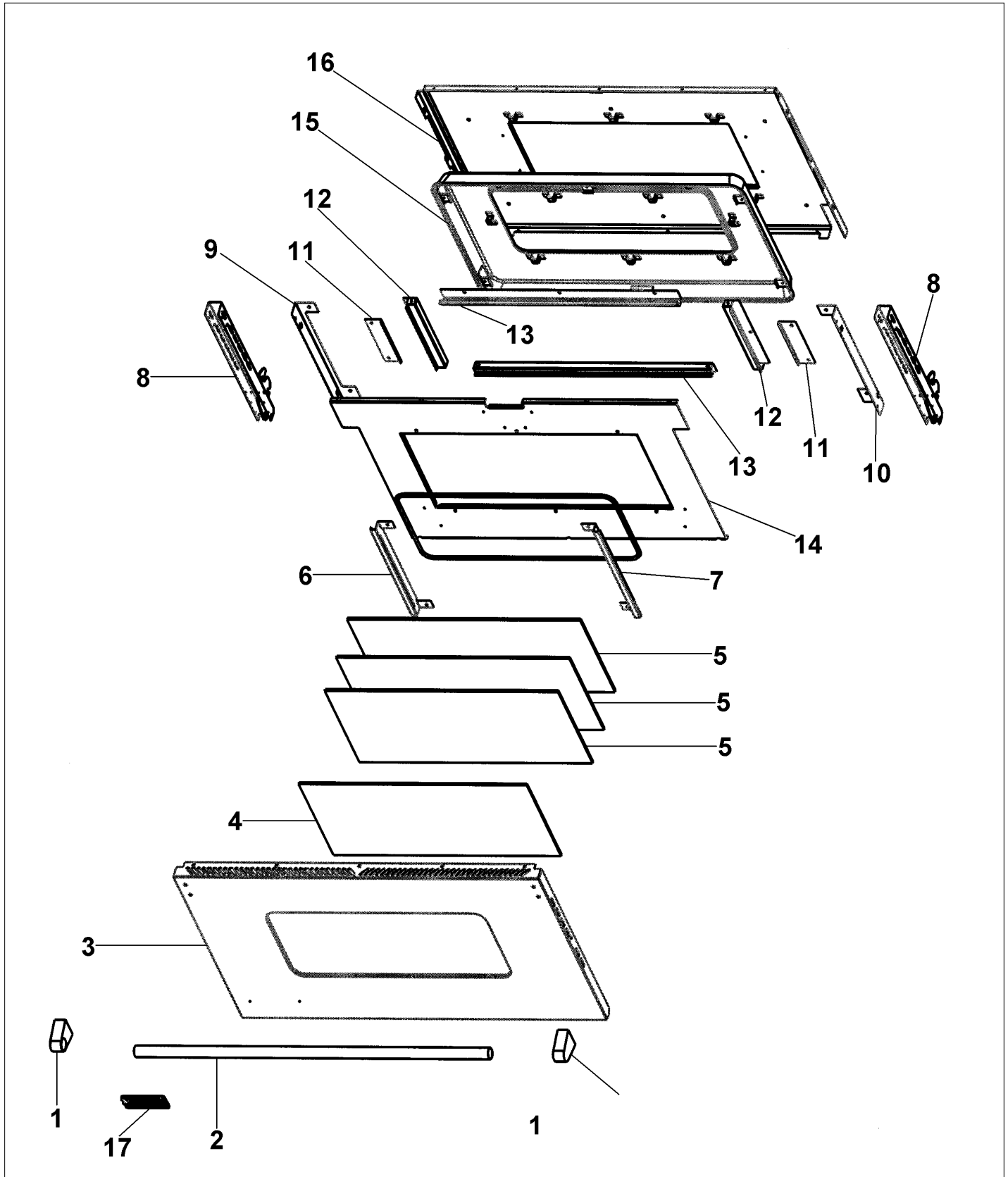


Item	Part No.	Name	Qty	Uom	NOTES
Not Shown	C9008504LE	OUTISDE DOOR PANEL *LE*	1	EA	NO LONGER AVAILABLE, Not available online / Call for pricing and availability
Not Shown	C9008504MJ	OUTISDE DOOR PANEL *MJ*	1	EA	NO LONGER AVAILABLE, Not available online / Call for pricing and availability
Not Shown	C9008504SG	OUTISDE DOOR PANEL *SG*	1	EA	NO LONGER AVAILABLE, Not available online / Call for pricing and availability
Not Shown	C9008504VB	OUTISDE DOOR PANEL *VB*	1	EA	NO LONGER AVAILABLE, Not available online / Call for pricing and availability
Not Shown	C9008504WH	OUTISDE DOOR PANEL *WH*	1	EA	NO LONGER AVAILABLE
4	PE060066	OUTER DOOR GLASS	1	EA	
5	PE060065	OUTER DOOR GLASS	1	EA	
6	A2008534	DOOR GLASS BRACKET	1	EA	
7	PE060067	J MOLD	1	EA	Not available online / Call for pricing and availability
Not Shown	PE060068BR	J MOLD *BRASS*	1	EA	NO LONGER AVAILABLE
8	PC020188	DOOR HINGE	1	EA	
9	A2008532	HINGE HOLDER - LH	1	EA	Not available online / Call for pricing and availability
10	A2008533	HINGE HOLDER - RH	1	EA	Not available online / Call for pricing and availability
11	A2002189	DOOR GLASS STANDOFF (VDSC)	1	EA	
12	E9108529	WINDOW LINER SIDE	1	EA	NO LONGER AVAILABLE, Not available online / Call for pricing and availability
13	E9108528	WINDOW LINER TOP/BOTTOM	1	EA	NO LONGER AVAILABLE

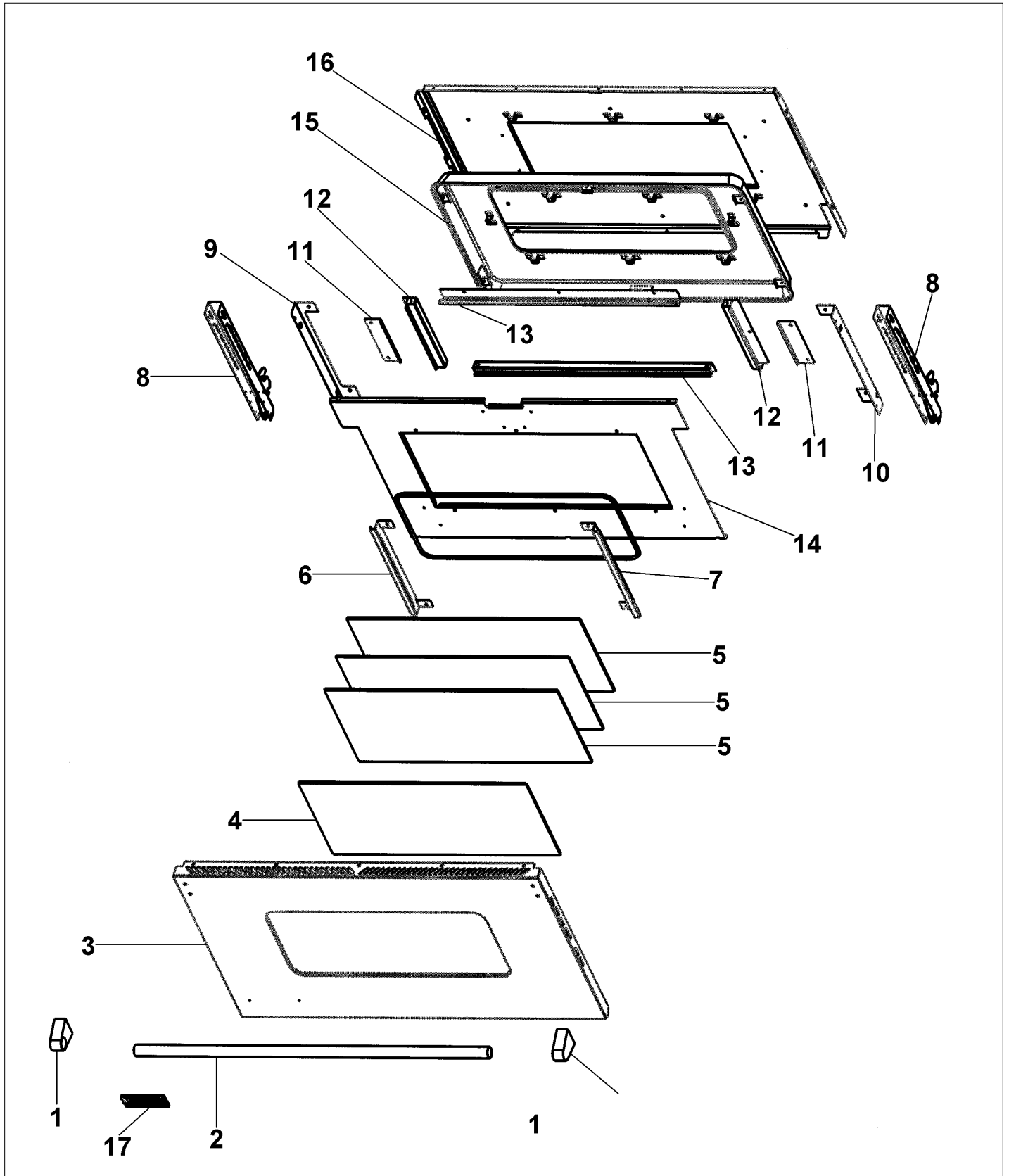




Item	Part No.	Name	Qty	Uom	NOTES
14	A2008503	DOOR INSULATION RETAINER 36	1	EA	
15	G9108531	DOOR PLUG 36 (VESO165/VEDO265)	1	EA	
16	G9108501	DOOR LINER ASSY 36	1	EA	
17	PE010016	LOGO (ALL RANGES) *BK/CHR 307997W	1	EA	
Not Shown	PE010079	4.5" LOGO/VIKING PROF *BK/BR	1	EA	
Not Shown	PE010017	LOGO (VGSO,VEDO,VGDO,VUD) *WH/CHR	1	EA	
Not Shown	PE010080	4.5" LOGO/VIKING PROF *WH/BR	1	EA	
NI	000623-000	DOOR GASKET(3/8"DIA.) (VDSC)	1	EA	
NI	000594-000	BLACK FIBERGLASS ROPE 3/8	1	EA	
NI	J1008505	OVEN DOOR HEAT SINK	1	EA	
NI	PD020032	SRW-8(A)X3/8"PH.WFR HD 7/16DIA*NICL	1	EA	
NI	G3208500AL	36" DOOR ASSY SINGLE/LOWER	1	EA	NO LONGER AVAILABLE, Not available online / Call for pricing and availability
Not Shown	G3208500ALBR	36" DOOR ASSY SINGLE/LOWER ALBR	1	EA	NO LONGER AVAILABLE, Not available online / Call for pricing and availability
Not Shown	G3208500BK	36" DOOR ASSY SINGLE/LOWER *BK*	1	EA	
Not Shown	G3208500BKBR	36" DOOR ASSY SINGLE/LOWER *BKBR*	1	EA	NO LONGER AVAILABLE
Not Shown	G3208500BT	36" DOOR ASSY SINGLE/LOWER *BT*	1	EA	NO LONGER AVAILABLE, Not available online / Call for pricing and availability
Not Shown	G3208500BTBR	36" DOOR ASSY SINGLE/LOWER *BTBR*	1	EA	NO LONGER AVAILABLE, Not available online / Call for pricing and availability

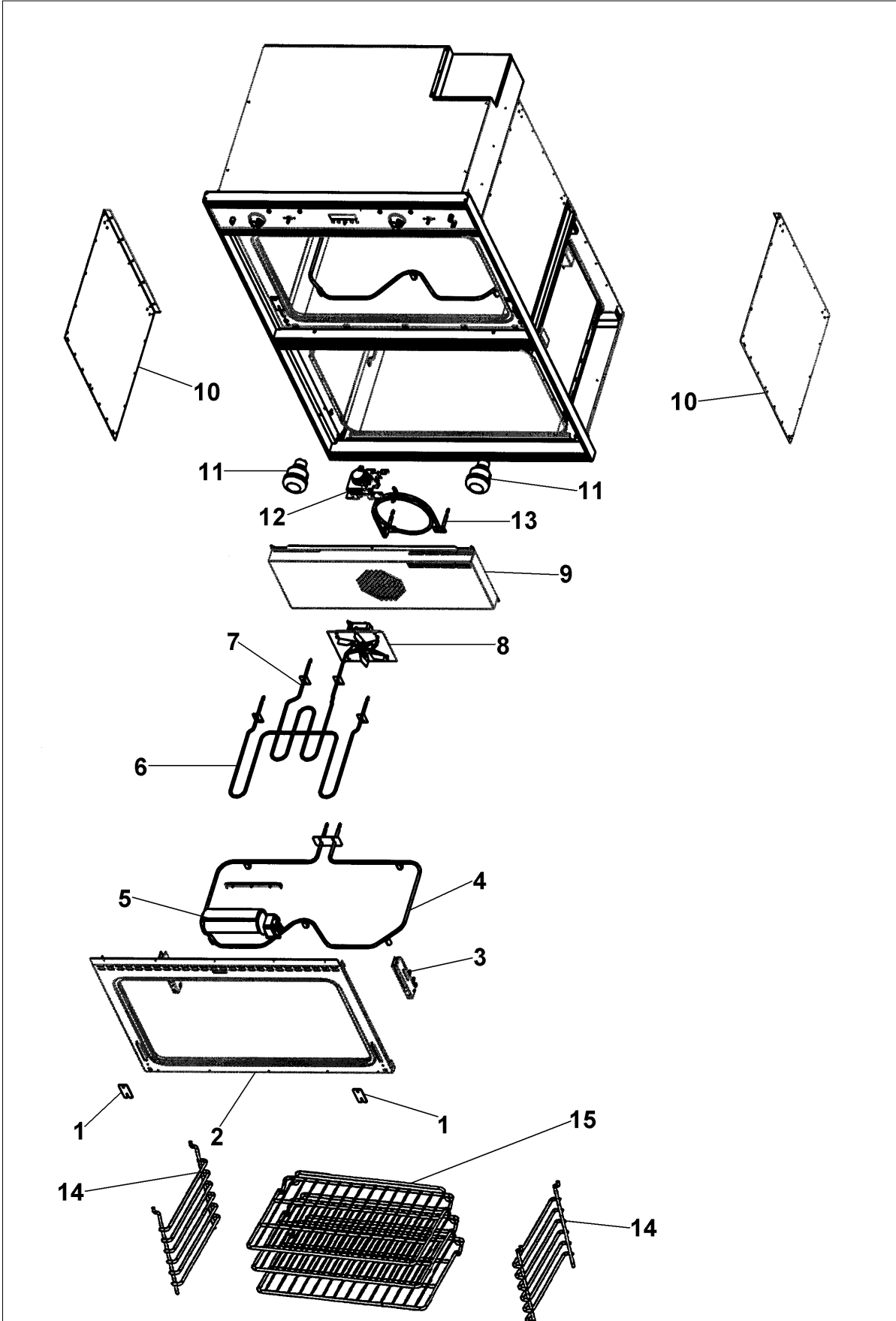


Item	Part No.	Name	Qty	Uom	NOTES
Not Shown	G3208500BU	36" DOOR ASSY SINGLE/LOWER *BU*	1	EA	NO LONGER AVAILABLE, Not available online / Call for pricing and availability
Not Shown	G3208500BUBR	36" DOOR ASSY SINGLE/LOWER *BUBR*	1	EA	NO LONGER AVAILABLE, Not available online / Call for pricing and availability
Not Shown	G3208500CB	36" DOOR ASSY SINGLE/LOWER *CB*	1	EA	NO LONGER AVAILABLE, Not available online / Call for pricing and availability
Not Shown	G3208500CBBR	36" DOOR ASSY SINGLE/LOWER *CBBR*	1	EA	NO LONGER AVAILABLE, Not available online / Call for pricing and availability
Not Shown	G3208500EP	36" DOOR ASSY SINGLE/LOWER *EP*	1	EA	NO LONGER AVAILABLE, Not available online / Call for pricing and availability
Not Shown	G3208500EPBR	36" DOOR ASSY SINGLE/LOWER *EPBR*	1	EA	NO LONGER AVAILABLE, Not available online / Call for pricing and availability
Not Shown	G3208500FG	36" DOOR ASSY SINGLE/LOWER *FG*	1	EA	NO LONGER AVAILABLE, Not available online / Call for pricing and availability
Not Shown	G3208500FGBR	36" DOOR ASSY SINGLE/LOWER *FGBR*	1	EA	NO LONGER AVAILABLE, Not available online / Call for pricing and availability
Not Shown	G3208500GG	36" DOOR ASSY SINGLE/LOWER *GG*	1	EA	NO LONGER AVAILABLE, Not available online / Call for pricing and availability
Not Shown	G3208500GGBR	36" DOOR ASSY SINGLE/LOWER *GGBR*	1	EA	NO LONGER AVAILABLE, Not available online / Call for pricing and availability
Not Shown	G3208500LE	36" DOOR ASSY SINGLE/LOWER *LE*	1	EA	NO LONGER AVAILABLE, Not available online / Call for pricing and availability



Item	Part No.	Name	Qty	Uom	NOTES
Not Shown	G3208500LEBR	36" DOOR ASSY SINGLE/LOWER *LEBR*	1	EA	NO LONGER AVAILABLE, Not available online / Call for pricing and availability
Not Shown	G3208500MJ	36" DOOR ASSY SINGLE/LOWER *MJ*	1	EA	NO LONGER AVAILABLE, Not available online / Call for pricing and availability
Not Shown	G3208500MJBR	36" DOOR ASSY SINGLE/LOWER *MJBR*	1	EA	NO LONGER AVAILABLE, Not available online / Call for pricing and availability
Not Shown	G3208500SG	36" DOOR ASSY SINGLE/LOWER *SG*	1	EA	NO LONGER AVAILABLE, Not available online / Call for pricing and availability
Not Shown	G3208500SGBR	36" DOOR ASSY SINGLE/LOWER *SGBR*	1	EA	NO LONGER AVAILABLE, Not available online / Call for pricing and availability
Not Shown	G3208500SS	36" DOOR ASSY SINGLE/LOWER - NLA	1	EA	Not available online / Call for pricing and availability
Not Shown	G3208500SSBR	36" DOOR ASSY SINGLE/LOWER	1	EA	Not available online / Call for pricing and availability
Not Shown	G3208500VB	36" DOOR ASSY SINGLE/LOWER *VB*	1	EA	NO LONGER AVAILABLE, Not available online / Call for pricing and availability
Not Shown	G3208500VBBR	36" DOOR ASSY SINGLE/LOWER *VBBR*	1	EA	NO LONGER AVAILABLE, Not available online / Call for pricing and availability
Not Shown	G3208500WH	36" DOOR ASSY SINGLE/LOWER *WH*	1	EA	NO LONGER AVAILABLE, Not available online / Call for pricing and availability
Not Shown	G3208500WHBR	36" DOOR ASSY SINGLE/LOWER *WHBR*	1	EA	NO LONGER AVAILABLE, Not available online / Call for pricing and availability

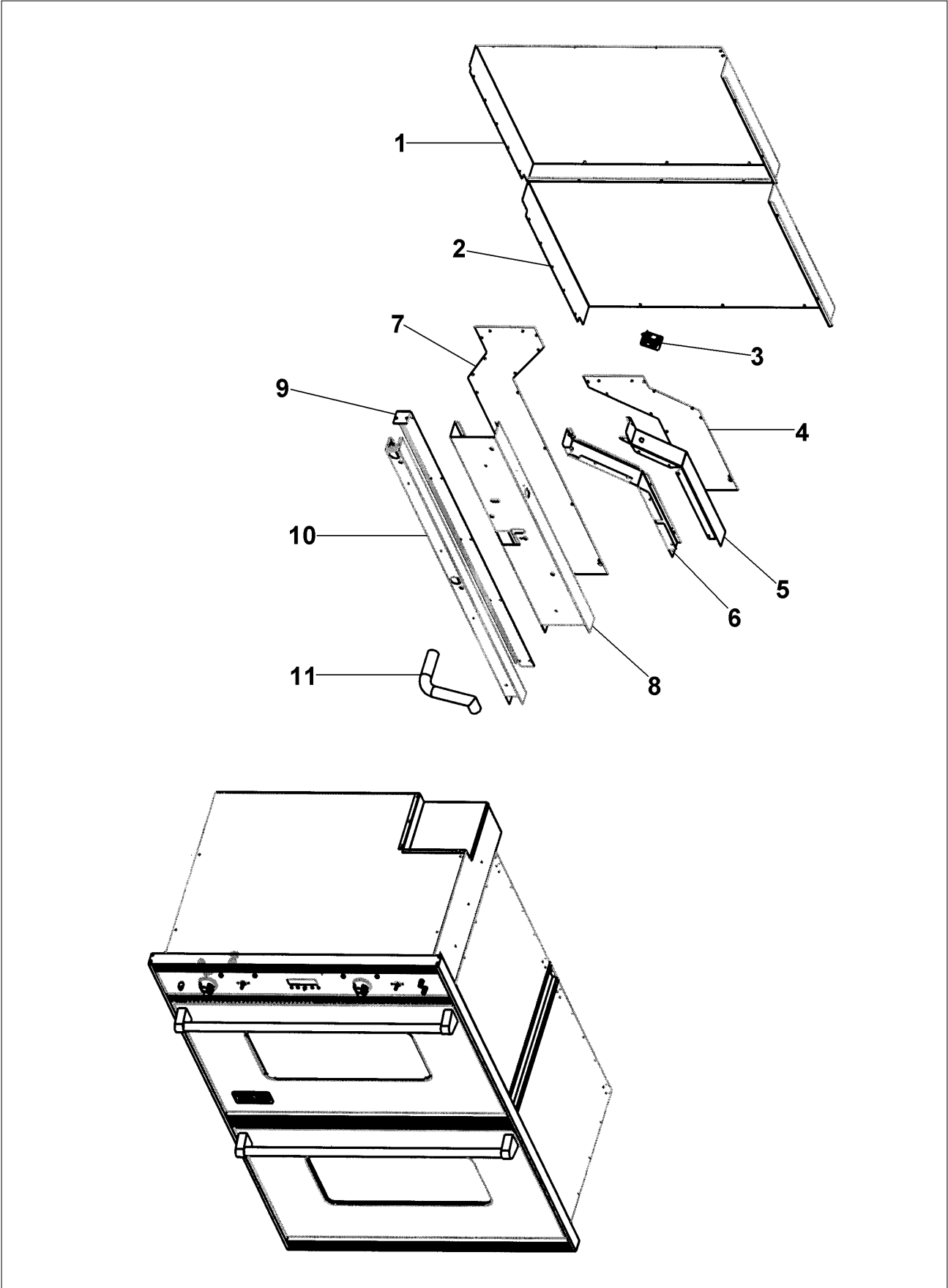
LOWER OVEN





Item	Part No.	Name	Qty	Uom	NOTES
1	B1007234	HINGE TRIM REPL B2102963 2 EA		EA	
2	G9108536	LOWER FRONT FRAME ASSY 36		EA	NO LONGER AVAILABLE
3	PC020016	HINGE RECEIVER (VEDO/VEDO)		EA	
4	PJ010006	BAKE ELEMENT (VDSC-36) 240V		EA	
5	PE050087	BLOWER ASSEMBLY - DESIGNER SERIES		EA	
6	PJ010002	BROIL ELEMENT(MAXI)-SIDE (VDSC)240V		EA	
7	PJ010001	BROIL ELEMENT 240V		EA	
8	PE050005	CONVECTION FAN ASSY		EA	
9	G9102750	CONVECTION FAN COVER ASSY (VDSC36)		EA	NO LONGER AVAILABLE
10	A2002904	SIDE INSULATION RETAINER		EA	NO LONGER AVAILABLE, Not available online / Call for pricing and availability
11	031449-000	LAMP, ASM		EA	
12	PE050112	DOOR LATCH		EA	
13	PJ010003	CONVECTION ELEMENT (VDSC) 240V		EA	
14	PB060030	RACK SUPT REPL PB060010		EA	
15	PB060045	OVEN RK VDSC36 REPL PB060020		EA	

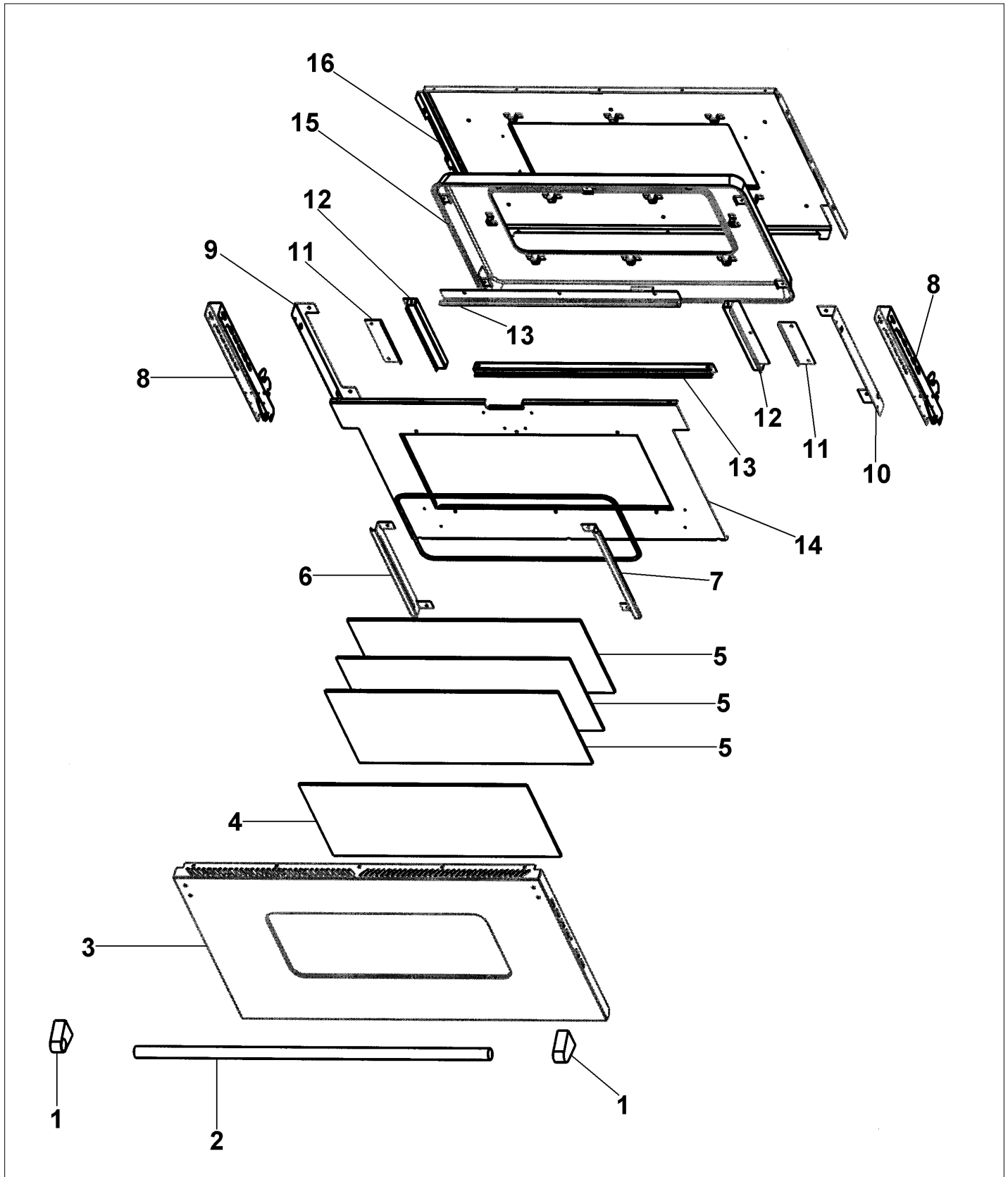
REAR ASSY





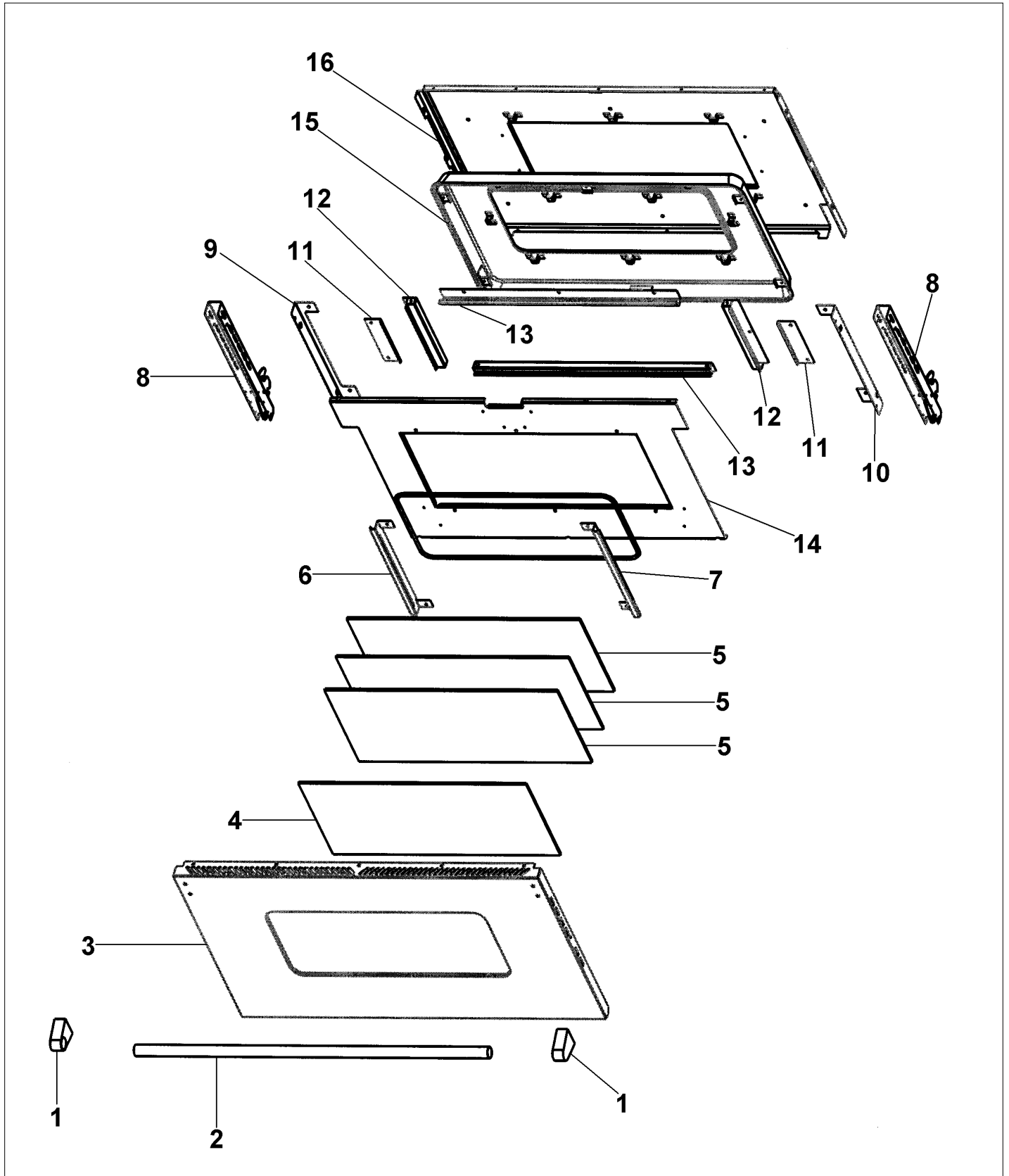
Item	Part No.	Name	Qty	Uom	NOTES
1	A2008511	CABINET BACK UPPER 36	1	EA	NO LONGER AVAILABLE, Not available online / Call for pricing and availability
2	A2008541	CABINET BACK LOWER 36	1	EA	NO LONGER AVAILABLE, Not available online / Call for pricing and availability
3	PJ030002	AUTO RESET (SELF-CLEAN) VDSC	1	EA	
4	A1006178	LOWER VENT COVER PLATE	1	EA	NO LONGER AVAILABLE, Not available online / Call for pricing and availability
5	A2006321	LOWER VENT SIDE RH	1	EA	NO LONGER AVAILABLE, Not available online / Call for pricing and availability
6	A2006322	LOWER VENT SIDE RH	1	EA	NO LONGER AVAILABLE, Not available online / Call for pricing and availability
7	A1006179	DOUBLE VENT COVER PLATE	1	EA	NO LONGER AVAILABLE, Not available online / Call for pricing and availability
8	A2006199	LOWER AIR VENT	1	EA	NO LONGER AVAILABLE, Not available online / Call for pricing and availability
9	A2006180	DOUBLE OVEN FLUE COVER	1	EA	NO LONGER AVAILABLE, Not available online / Call for pricing and availability
10	A2006181	DOUBLE OVEN FLUE	1	EA	NO LONGER AVAILABLE, Not available online / Call for pricing and availability
11	PB020175	VENT TUBE	1	EA	NO LONGER AVAILABLE, Not available online / Call for pricing and availability

UPPER DOOR



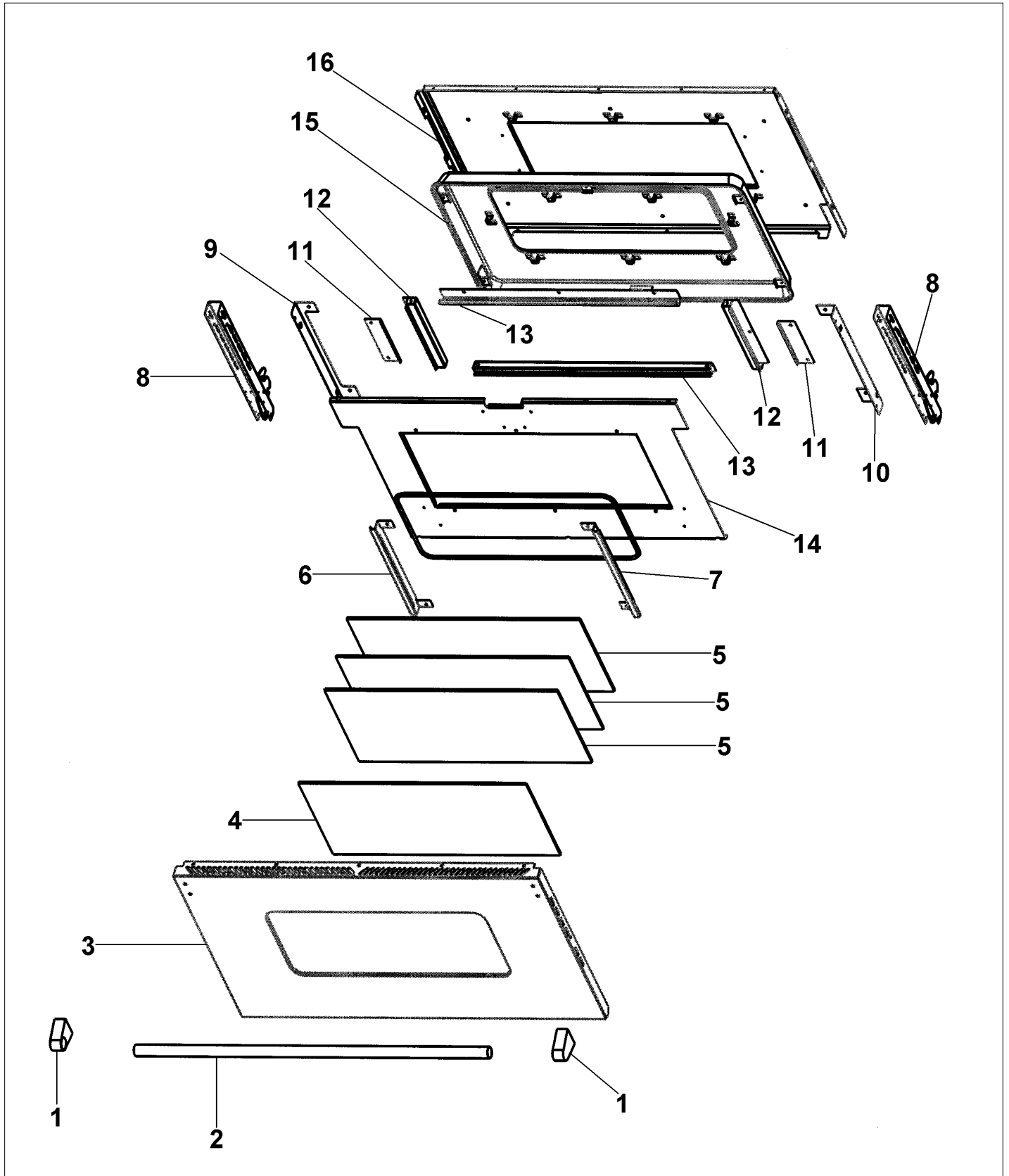


Item	Part No.	Name	Qty	Uom	NOTES
1	000268-000	HANDLE ENDCAP	1	EA	
Not Shown	PE030001PVD	END CAP DOOR HANDLE *BR	1	EA	
2	PE030133	DOOR HANDLE 36" (VESO/VEDO)	1	EA	Not available online / Call for pricing and availability
Not Shown	PE030133PVD	DOOR HANDLE 36" (VESO/VEDO) PVD	1	EA	NO LONGER AVAILABLE, Not available online / Call for pricing and availability
3	B2008546	OUTTER DOOR PANEL	1	EA	Not available online / Call for pricing and availability
Not Shown	C9008546AL	OUTER DOOR PANEL *AL*	1	EA	NO LONGER AVAILABLE, Not available online / Call for pricing and availability
Not Shown	C9008546BK	OUTER DOOR PANEL *BK*	1	EA	NO LONGER AVAILABLE
Not Shown	C9008546BT	OUTER DOOR PANEL *BT*	1	EA	NO LONGER AVAILABLE, Not available online / Call for pricing and availability
Not Shown	C9008546BU	OUTER DOOR PANEL *BU*	1	EA	NO LONGER AVAILABLE
Not Shown	C9008546CB	OUTER DOOR PANEL *CB*	1	EA	NO LONGER AVAILABLE, Not available online / Call for pricing and availability
Not Shown	C9008546EP	OUTER DOOR PANEL *EP*	1	EA	NO LONGER AVAILABLE, Not available online / Call for pricing and availability
Not Shown	C9008546FG	OUTER DOOR PANEL *FG*	1	EA	NO LONGER AVAILABLE, Not available online / Call for pricing and availability
Not Shown	C9008546GG	OUTER DOOR PANEL *GG*	1	EA	NO LONGER AVAILABLE, Not available online / Call for pricing and availability



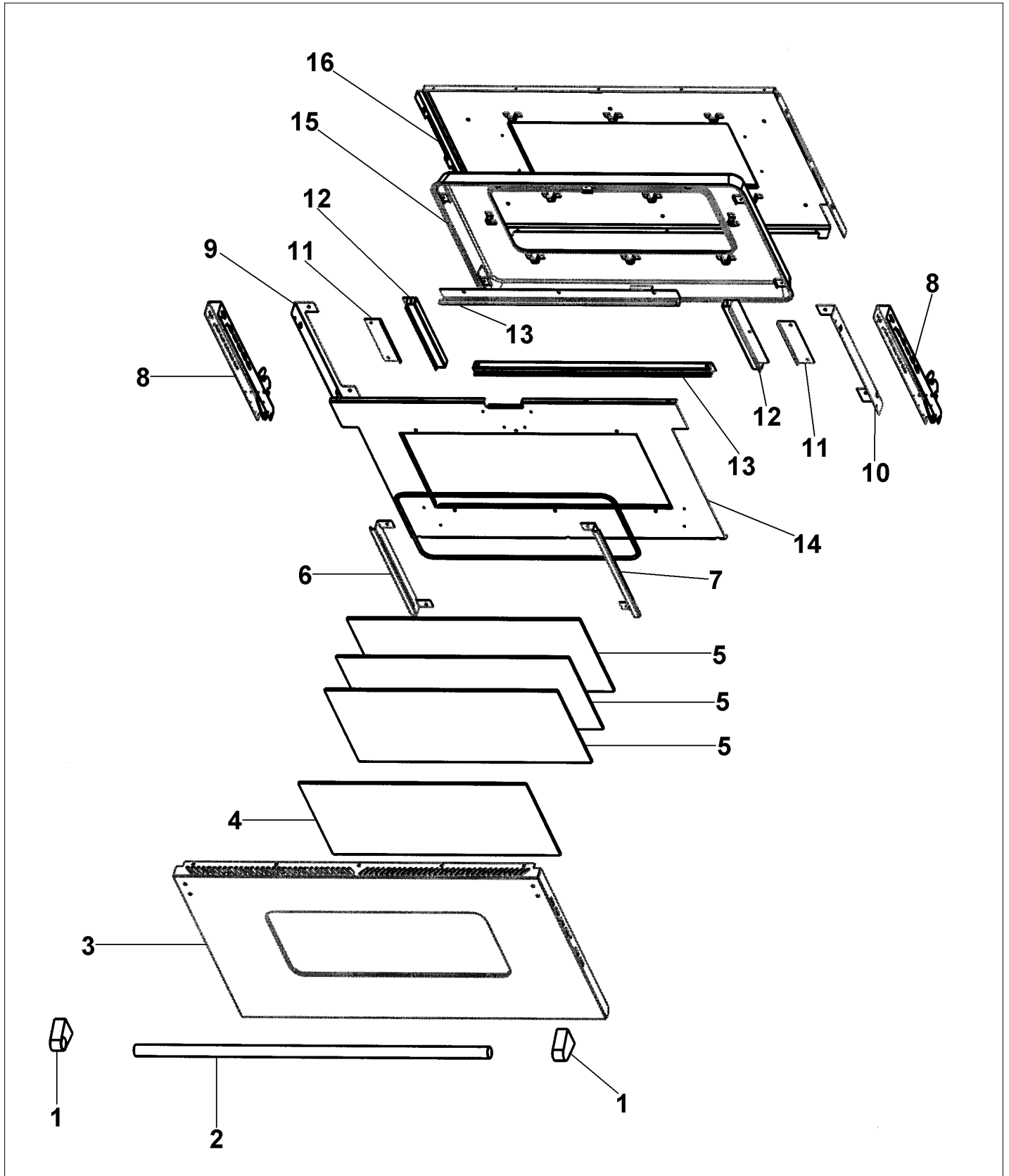


Item	Part No.	Name	Qty	Uom	NOTES
Not Shown	C9008546LE	OUTER DOOR PANEL *LE*	1	EA	NO LONGER AVAILABLE, Not available online / Call for pricing and availability
Not Shown	C9008546MJ	OUTER DOOR PANEL *MJ*	1	EA	NO LONGER AVAILABLE, Not available online / Call for pricing and availability
Not Shown	C9008546SG	OUTER DOOR PANEL *SG*	1	EA	NO LONGER AVAILABLE, Not available online / Call for pricing and availability
Not Shown	C9008546VB	OUTER DOOR PANEL *VB*	1	EA	NO LONGER AVAILABLE, Not available online / Call for pricing and availability
Not Shown	C9008546WH	OUTER DOOR PANEL *WH*	1	EA	NO LONGER AVAILABLE, Not available online / Call for pricing and availability
4	PE060066	OUTER DOOR GLASS	1	EA	
5	PE060065	OUTER DOOR GLASS	1	EA	
6	A2008534	DOOR GLASS BRACKET	1	EA	
7	PE060067	J MOLD	1	EA	Not available online / Call for pricing and availability
Not Shown	PE060068BR	J MOLD *BRASS*	1	EA	NO LONGER AVAILABLE
8	PC020188	DOOR HINGE	1	EA	
9	A2008532	HINGE HOLDER - LH	1	EA	Not available online / Call for pricing and availability
10	A2008533	HINGE HOLDER - RH	1	EA	Not available online / Call for pricing and availability
11	A2002189	DOOR GLASS STANDOFF (VDSC)	1	EA	
12	E9108529	WINDOW LINER SIDE	1	EA	NO LONGER AVAILABLE, Not available online / Call for pricing and availability

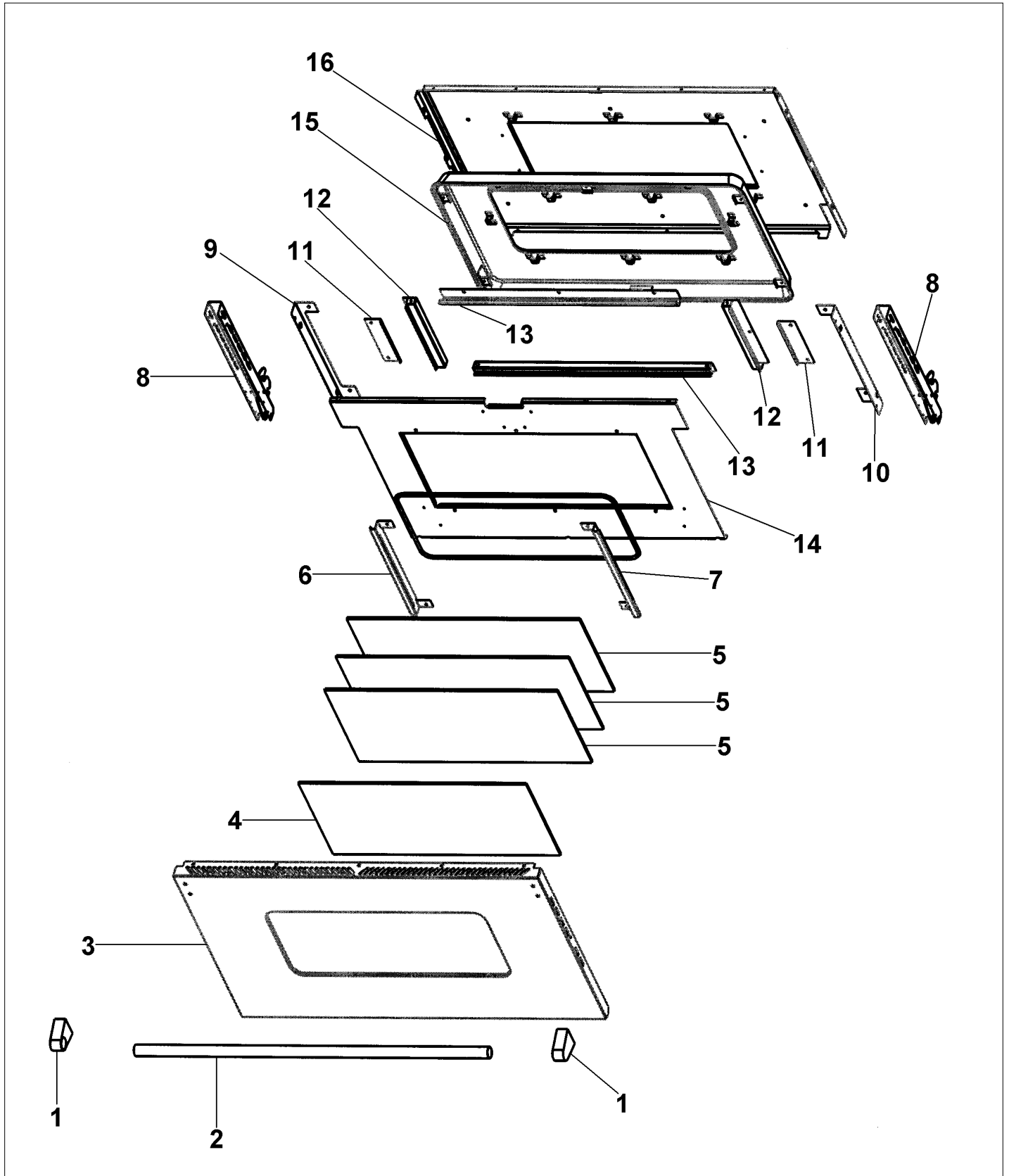




Item	Part No.	Name	Qty	Uom	NOTES
13	E9108528	WINDOW LINER TOP/BOTTOM	1	EA	NO LONGER AVAILABLE
14	A2008503	DOOR INSULATION RETAINER 36	1	EA	
15	G9108531	DOOR PLUG 36 (VESO165/VEDO265)	1	EA	
16	G9108501	DOOR LINER ASSY 36	1	EA	
NI	000623-000	DOOR GASKET(3/8"DIA.) (VDSC)	1	EA	
NI	000594-000	BLACK FIBERGLASS ROPE 3/8	1	EA	
NI	J1008505	OVEN DOOR HEAT SINK	1	EA	
NI	PD020032	SRW-8(A)X3/8"PH.WFR HD 7/16DIA*NICL	1	EA	
NI	G3208545AL	36" DOOR ASSY DOUBLE OVEN UPPER *AL*	1	EA	NO LONGER AVAILABLE, Not available online / Call for pricing and availability
Not Shown	G3208545ALBR	36" DOOR ASSY DOUBLE OVEN UPPER *ALBR*	1	EA	NO LONGER AVAILABLE, Not available online / Call for pricing and availability
Not Shown	G3208545BK	36" DOOR ASSY DOUBLE OVEN UPPER *BK*	1	EA	NO LONGER AVAILABLE, Not available online / Call for pricing and availability
Not Shown	G3208545BKBR	36" DOOR ASSY DOUBLE OVEN UPPER *BKBR*	1	EA	NO LONGER AVAILABLE, Not available online / Call for pricing and availability
Not Shown	G3208545BT	36" DOOR ASSY DOUBLE OVEN UPPER *BT*	1	EA	NO LONGER AVAILABLE, Not available online / Call for pricing and availability
Not Shown	G3208545BTBR	36" DOOR ASSY DOUBLE OVEN UPPER *BTBR*	1	EA	NO LONGER AVAILABLE, Not available online / Call for pricing and availability
Not Shown	G3208545BU	36" DOOR ASSY DOUBLE OVEN UPPER *BU*	1	EA	NO LONGER AVAILABLE, Not available online / Call for pricing and availability



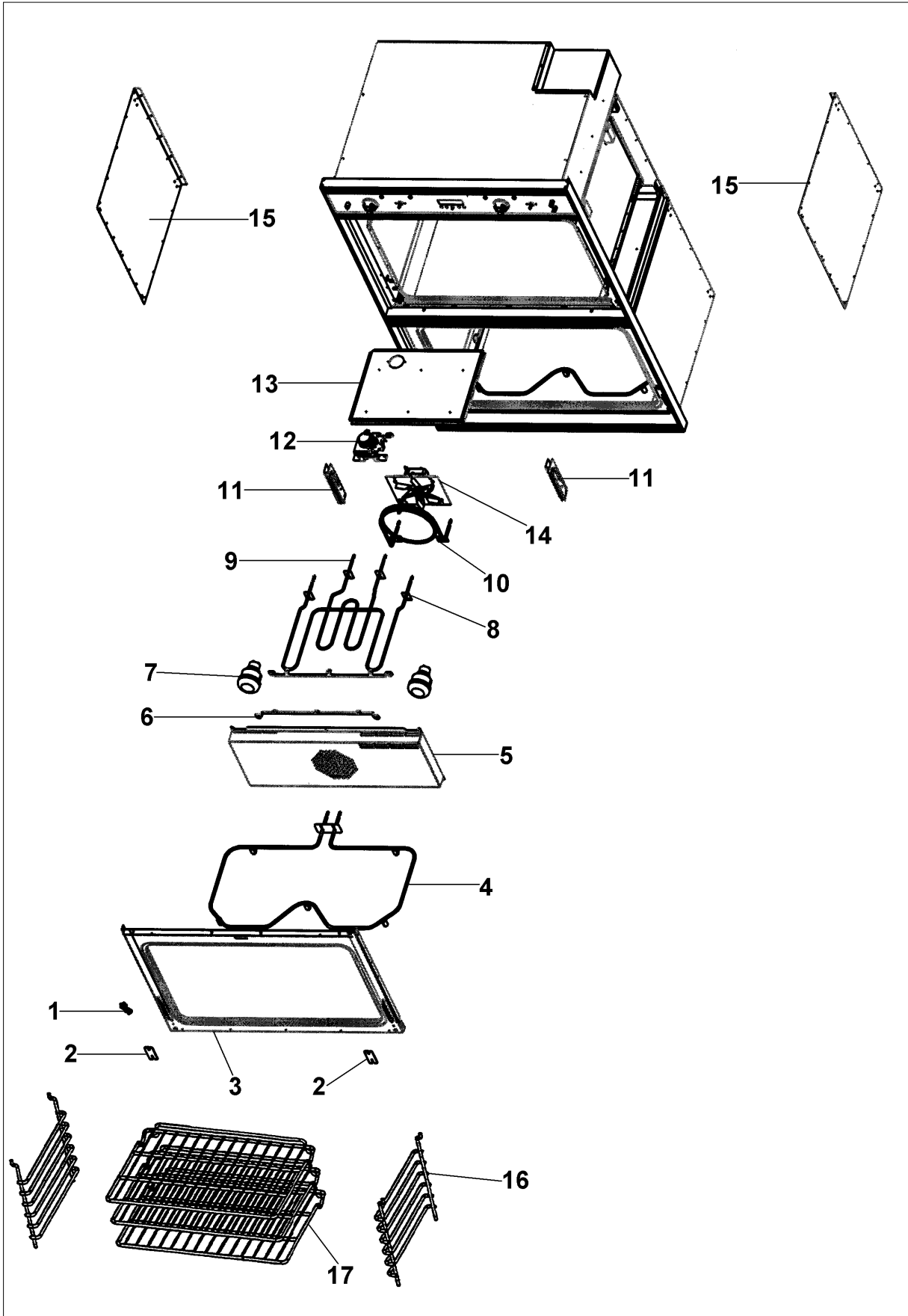
Item	Part No.	Name	Qty	Uom	NOTES
Not Shown	G3208545BUBR	36" DOOR ASSY DOUBLE OVEN UPPER *BUBR*	1	EA	NO LONGER AVAILABLE, Not available online / Call for pricing and availability
Not Shown	G3208545CB	36" DOOR ASSY DOUBLE OVEN UPPER *CB*	1	EA	NO LONGER AVAILABLE, Not available online / Call for pricing and availability
Not Shown	G3208545CBBR	36" DOOR ASSY DOUBLE OVEN UPPER *CBBR*	1	EA	NO LONGER AVAILABLE, Not available online / Call for pricing and availability
Not Shown	G3208545EP	36" DOOR ASSY DOUBLE OVEN UPPER *EP*	1	EA	NO LONGER AVAILABLE, Not available online / Call for pricing and availability
Not Shown	G3208545EPBR	36" DOOR ASSY DOUBLE OVEN UPPER *EPBR*	1	EA	NO LONGER AVAILABLE, Not available online / Call for pricing and availability
Not Shown	G3208545FG	36" DOOR ASSY DOUBLE OVEN UPPER *FG*	1	EA	NO LONGER AVAILABLE, Not available online / Call for pricing and availability
Not Shown	G3208545FGBR	36" DOOR ASSY DOUBLE OVEN UPPER *FGBR*	1	EA	NO LONGER AVAILABLE, Not available online / Call for pricing and availability
Not Shown	G3208545GG	36" DOOR ASSY DOUBLE OVEN UPPER *GG*	1	EA	NO LONGER AVAILABLE, Not available online / Call for pricing and availability
Not Shown	G3208545GGBR	36" DOOR ASSY DOUBLE OVEN UPPER *GGBR*	1	EA	NO LONGER AVAILABLE, Not available online / Call for pricing and availability
Not Shown	G3208545LE	36" DOOR ASSY DOUBLE OVEN UPPER *LE*	1	EA	NO LONGER AVAILABLE, Not available online / Call for pricing and availability
Not Shown	G3208545LEBR	36" DOOR ASSY DOUBLE OVEN UPPER *LEBR*	1	EA	NO LONGER AVAILABLE, Not available online / Call for pricing and availability





Item	Part No.	Name	Qty	Uom	NOTES
Not Shown	G3208545MJ	36" DOOR ASSY DOUBLE OVEN UPPER *MJ*	1	EA	NO LONGER AVAILABLE, Not available online / Call for pricing and availability
Not Shown	G3208545MJBR	36" DOOR ASSY DOUBLE OVEN UPPER *MJBR*	1	EA	NO LONGER AVAILABLE, Not available online / Call for pricing and availability
Not Shown	G3208545SG	36" DOOR ASSY DOUBLE OVEN UPPER *SG*	1	EA	NO LONGER AVAILABLE, Not available online / Call for pricing and availability
Not Shown	G3208545SGBR	36" DOOR ASSY DOUBLE OVEN UPPER *SGBR*	1	EA	NO LONGER AVAILABLE, Not available online / Call for pricing and availability
Not Shown	G3208545SS	36" DOOR ASSY DOUBLE OVEN UPPER	1	EA	NO LONGER AVAILABLE
Not Shown	G3208545SSBR	36" DOOR ASSY DOUBLE OVEN UPPER *SSBR*	1	EA	NO LONGER AVAILABLE, Not available online / Call for pricing and availability
Not Shown	G3208545VB	36" DOOR ASSY DOUBLE OVEN UPPER *VB*	1	EA	NO LONGER AVAILABLE, Not available online / Call for pricing and availability
Not Shown	G3208545VBBR	36" DOOR ASSY DOUBLE OVEN UPPER *VBBR*	1	EA	NO LONGER AVAILABLE, Not available online / Call for pricing and availability
Not Shown	G3208545WH	36" DOOR ASSY DOUBLE OVEN UPPER *WH*	1	EA	NO LONGER AVAILABLE, Not available online / Call for pricing and availability
Not Shown	G3208545WHBR	36" DOOR ASSY DOUBLE OVEN UPPER *WHBR*	1	EA	NO LONGER AVAILABLE, Not available online / Call for pricing and availability

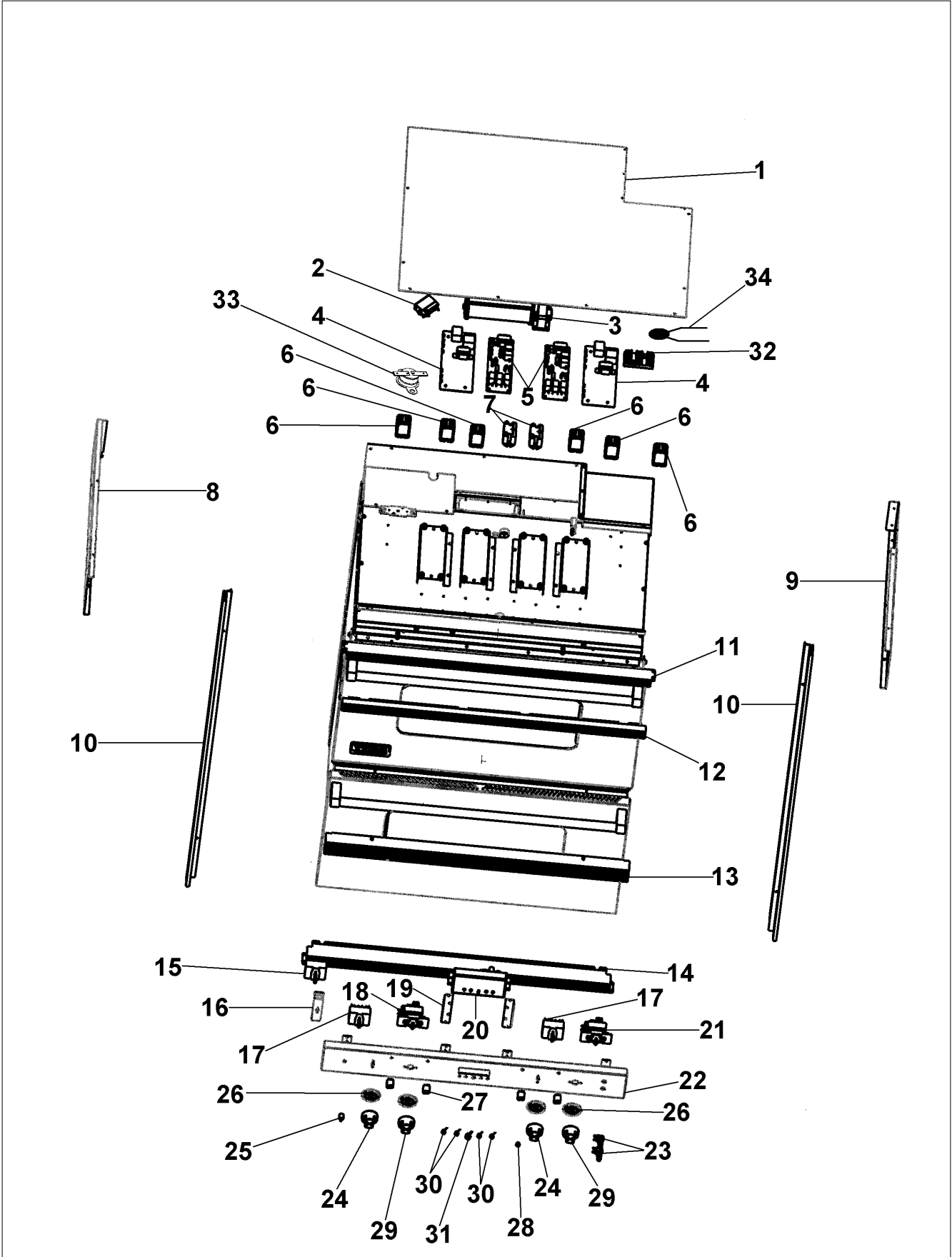
UPPER OVEN



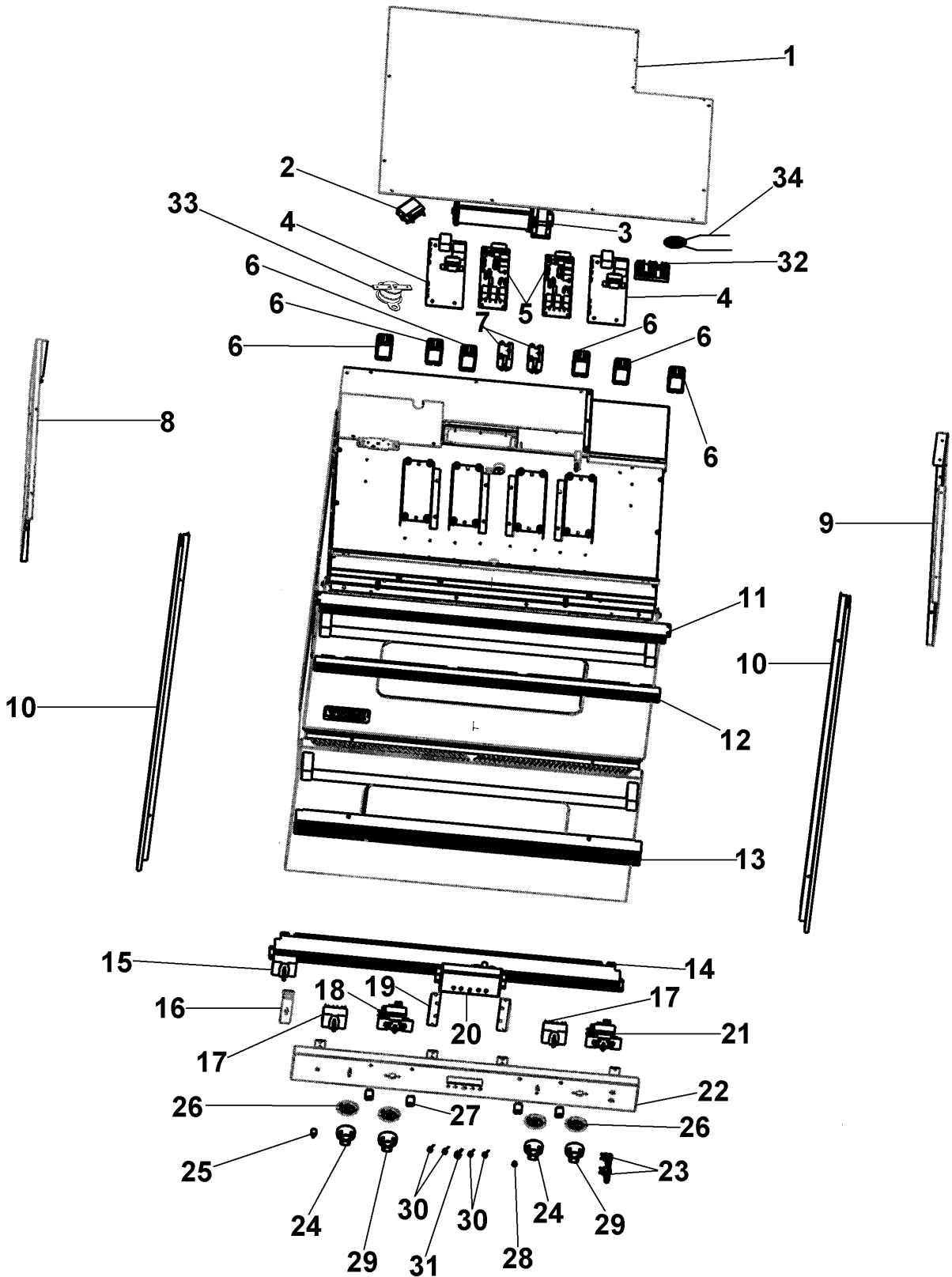


Item	Part No.	Name	Qty	Uom	NOTES
1	PE050115	MEAT PROBE JACK (SWITCHCRAFT'S PART# 3J1505)	1	EA	
Comments for Part Num. PE050115					
bradleysapplianceservice@shaw.ca on May 8, 2017					
Meat probe is not illustrated on Parts Break Down.					
PE050114 MEAT PROBE					
NI	PE050114	MEAT PROBE (DESO/DEDO) (SWITCHCRAFT'S PART # 4C7919)	1	EA	
2	B1007234	HINGE TRIM REPL B2102963 2 EA	1	EA	
3	G9108522	UPPER FRONT FRAME ASSY 36	1	EA	NO LONGER AVAILABLE
4	PJ010006	BAKE ELEMENT (VDSC-36) 240V	1	EA	
5	G9102750	CONVECTION FAN COVER ASSY (VDSC36)	1	EA	NO LONGER AVAILABLE
6	B2002185	BROIL ELEMENT BRKT (VDSC)	1	EA	
7	031449-000	LAMP, ASM	1	EA	
8	PJ010002	BROIL ELEMENT(MAXI)-SIDE (VDSC)240V	1	EA	
9	PJ010001	BROIL ELEMENT 240V	1	EA	
10	PJ010003	CONVECTION ELEMENT (VDSC) 240V	1	EA	
11	PC020016	HINGE RECEIVER (VEDO/VEDO)	1	EA	
12	PE050112	DOOR LATCH	1	EA	
13	B2002167	BROILER TOP (VDSC)	1	EA	NO LONGER AVAILABLE
14	PE050005	CONVECTION FAN ASSY	1	EA	
15	A2002904	SIDE INSULATION RETAINER	1	EA	NO LONGER AVAILABLE, Not available online / Call for pricing and availability
16	PB060030	RACK SUPT REPL PB060010	1	EA	
17	PB060045	OVEN RK VDSC36 REPL PB060020	1	EA	

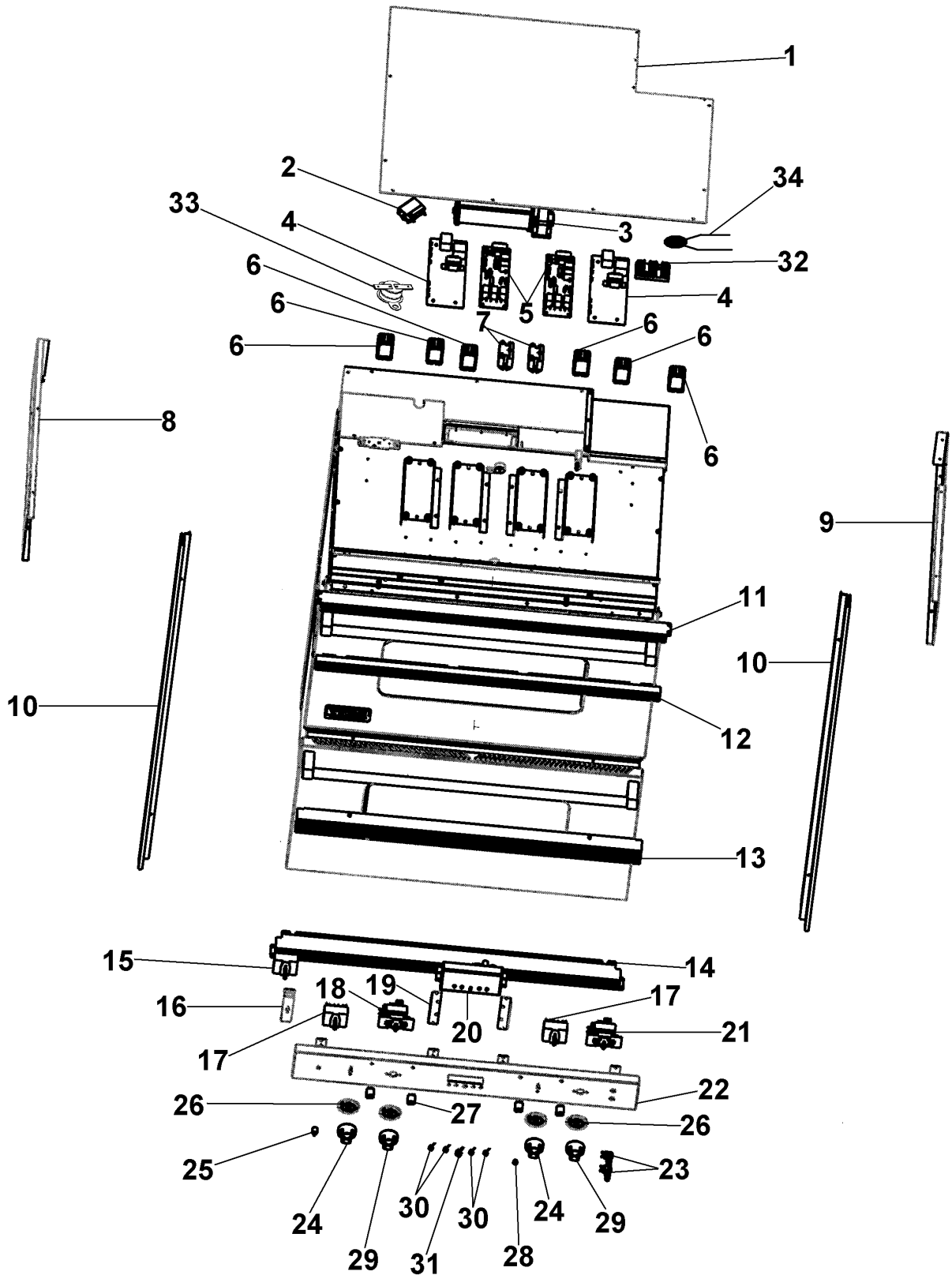
UPPER UNIT ASSEMBLY



Item	Part No.	Name	Qty	Uom	NOTES
1	A2008508	CABINET TOP 36		EA	NO LONGER AVAILABLE, Not available online / Call for pricing and availability
2	PJ030002	AUTO RESET (SELF-CLEAN) VDSC		EA	
3	PE050087	BLOWER ASSEMBLY - DESIGNER SERIES		EA	
4	PE070308	PRE-HEAT BOARD		EA	
Not Shown	NOTE	(BEFORE 05/07/04)		EA	
5	PE070148	SELF-CLEAN BOARD/TIMER (VDSC)		EA	
Not Shown	NOTE	(BEFORE 05/07/04)		EA	
NI	PE070786	ELECTRONIC CONTROL BOARD		EA	
Not Shown	NOTE	(ON OR AFTER 05/07/04)		EA	
6	PM010029	RELAY (DOUBLE POLE-DOUBLE THROW)TEM		EA	
7	PM010129	RELAY		EA	
8	A2007699	CABINET SIDE LH		EA	NO LONGER AVAILABLE, Not available online / Call for pricing and availability
9	A2007906	30"" SINGLE CAB. SIDE RH		EA	NO LONGER AVAILABLE, Not available online / Call for pricing and availability
10	PE040069	SIDE TRIM-EXTRUDED (VEDO205)		EA	NO LONGER AVAILABLE
11	PE040192	TOP EXTRUSION		EA	
12	PE040193	LOWER CONTROL PANEL EXTRUSION		EA	Not available online / Call for pricing and availability
13	PE040200	CENTER EXTRUSION		EA	Not available online / Call for pricing and availability
14	PE040190	BOTTOM EXTRUSION		EA	
15	PJ030030	4 POS SELECTOR SWITCH		EA	

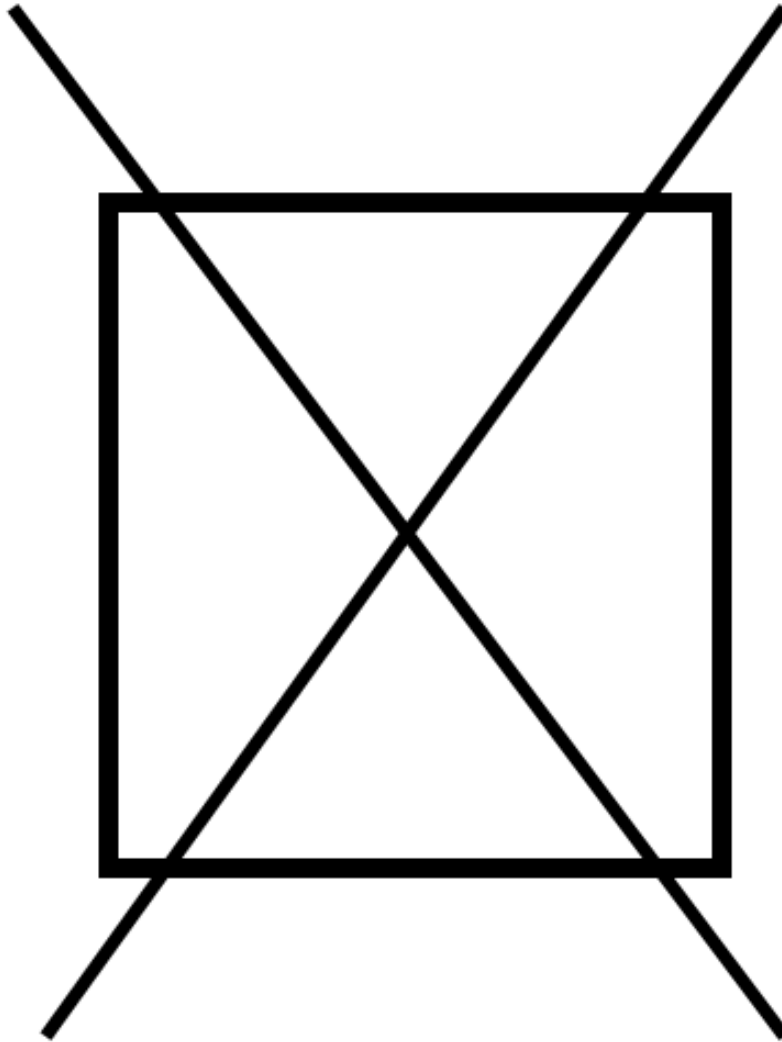


Item	Part No.	Name	Qty	Uom	NOTES
Not Shown	NOTE	(Before 06/03/04)		EA	
Not Shown	PJ030010	SELECTOR SWITCH (3-POSITION)VEDO205		EA	
Not Shown	NOTE	(After 06/03/04)		EA	
16	A2008526	SELECTOR BRACKET		EA	NO LONGER AVAILABLE
17	PJ030001	SELECTOR SWITCH (8-POSITION) VDSC		EA	
18	PS500033	SUB TO PS500033 - SELF CLEAN THERMOSTAT		EA	
19	A2008527	CLOCK BRACKET		EA	
20	PE050213	PRO 120V DIGITAL CLOCK		EA	
21	PS500033	SUB TO PS500033 - SELF CLEAN THERMOSTAT		EA	
22	B9208540	DOUBLE CONTROL PANEL 36		EA	
Not Shown	C9208540BK	DOUBLE CONTROL PANEL 36 *BK*		EA	Not available online / Call for pricing and availability
Not Shown	C9208540WH	DOUBLE CONTROL PANEL 36 *WH*		EA	NO LONGER AVAILABLE, Not available online / Call for pricing and availability
23	PB010163	OVEN LIGHT SWITCH KNOB *BK* (VESO/D		EA	
Not Shown	PB010164	OVEN LIGHT SWITCH KNOB *WH* (VESO/D		EA	
24	PB010148	SELECTOR KNOB-*BK* (30"DOUBLE OVEN		EA	
Not Shown	PB010149	SELECTOR KNOB-*WH* (30" B-IN OVEN)		EA	
25	PB010165	TIME MANUAL KNOB *BK* (VESO/VEDO)		EA	
Not Shown	PB010166	TIME MANUAL KNOB *WH* (VESO/VEDO)		EA	
26	050172-000	BEZEL, KNOB		EA	
Not Shown	PB010209	Bezel - BR		EA	
27	PE050024	OVEN IND. LIGHT (LIGHT HOUSING)		EA	



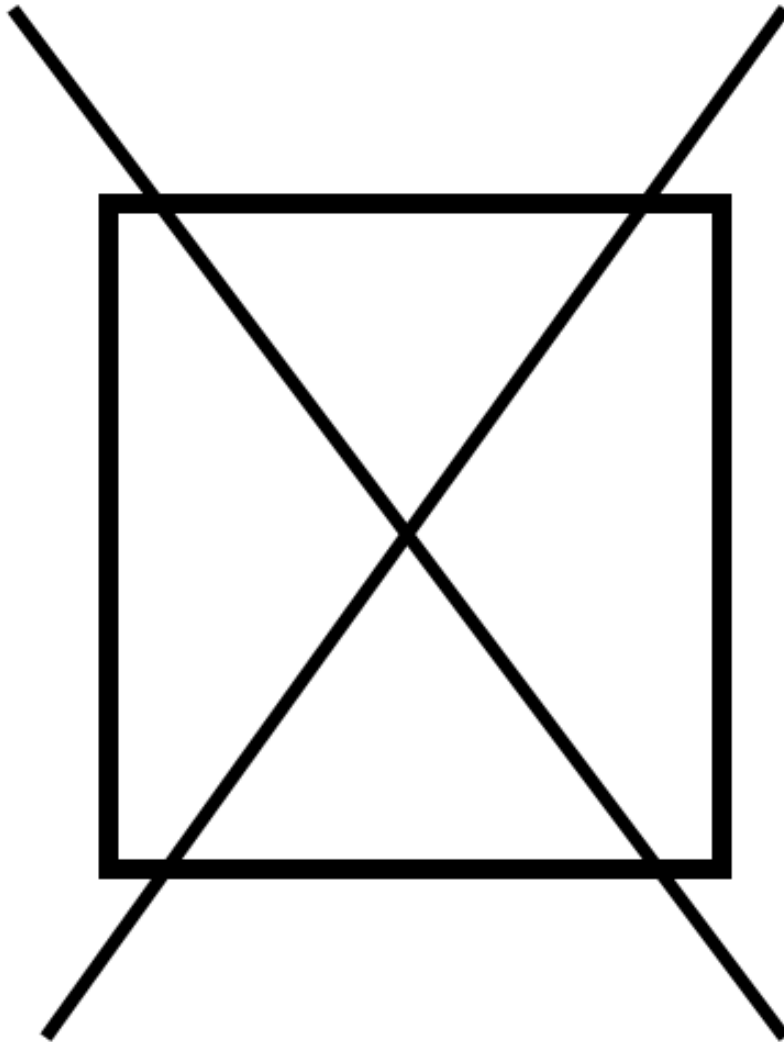
Item	Part No.	Name	Qty	Uom	NOTES
Comments for Part Num. PE050024 haarnink@vikingrange.com on Jan 14, 2019 please note that the indicator light is now part 043135-000 but needs the Jumper harness 051443-000. and second option there are units in the field with a 230V indicator light part number 036566-000. please check this for all "E" module ranges/Tops					
28	PE050023	OVEN IND. LIGHT (LENS & BEZEL)		EA	
29	PB010150	T/STAT KNOB-*BK* (30" B-IN OVEN)		EA	
Not Shown	PB010151	T/STAT KNOB-*WH* (30" B-IN OVEN)		EA	
30	PB010248	CLOCK BUTTON		EA	
Not Shown	PB010249	PUSH BUTTON WHITE		EA	NO LONGER AVAILABLE, Not available online / Call for pricing and availability
31	PB010246	CLOCK KNOB		EA	
Not Shown	PB010247	KNOB WHITE		EA	NO LONGER AVAILABLE
32	PE070147	TERMINAL BLOCK (VDSC)		EA	
33	PJ030006	SWITCH (COOLING FAN)		EA	
34	PE050059	HI-LIMIT SWITCH		EA	

NON
ILLUSTRATED PART



Item	Part No.	Name	Qty	Uom	NOTES
NI	G4007966	WIRE ASSEMBLY (MEAT PROBE)	2	EA	NO LONGER AVAILABLE
NI	040197-000	CONDUIT, ELECTRICAL CORD, 70"	1	EA	
NI	PE070539	8 POS. SELECTOR HARNESS - NLA	2	EA	
NI	PE070529	ELECTRONIC BOARD HARNESS	1	EA	
NI	PE070571	LOWER CONTROL BOARD HARNESS	1	EA	NO LONGER AVAILABLE
NI	PE070537	AUTO RESET HARNESS	2	EA	
NI	PE070538	T/STAT HARNESS	2	EA	NO LONGER AVAILABLE
NI	PE070533	TIMER UPPER HARNESS	2	EA	NO LONGER AVAILABLE
NI	PE070534	TIMER LOWER HARNESS	2	EA	NO LONGER AVAILABLE, Not available online / Call for pricing and availability
NI	PE070531	UPPER CONTROL HARNESS	1	EA	NO LONGER AVAILABLE
NI	PE070532	LOWER CONTROL HARNESS	1	EA	NO LONGER AVAILABLE, Not available online / Call for pricing and availability
NI	PE070493	UPPER LATCH HARNESS	1	EA	NO LONGER AVAILABLE
NI	PE070495	LOWER LATCH HARNESS	1	EA	NO LONGER AVAILABLE, Not available online / Call for pricing and availability
NI	PE070492	UPPER ELEMENT HARNESS	1	EA	NO LONGER AVAILABLE
NI	PE070494	LOWER ELEMENT HARNESS	1	EA	NO LONGER AVAILABLE, Not available online / Call for pricing and availability
NI	PE070535	DOUBLE OVEN JUMPER	2	EA	NO LONGER AVAILABLE
NI	PE070497	LIGHT HARNESS, UPPER	1	EA	NO LONGER AVAILABLE

NON
ILLUSTRATED PART





Item	Part No.	Name	Qty	Uom	NOTES
NI	PE070498	LIGHT HARNESS, DOUBLE	1	EA	NO LONGER AVAILABLE, Not available online / Call for pricing and availability
NI	PD040034	CONDUIT GROMMET (1/2")	2	EA	
NI	PE070623	PREHEAT JUMPER	1	EA	NO LONGER AVAILABLE, Not available online / Call for pricing and availability



Appendix A:Pages Index

FLOWCHART NEW BOARD BAKE 1
FLOWCHART NEW BOARD DOOR LOCK 2
FLOWCHART SELF CLEAN 3
LOWER DOOR4
LOWER OVEN 5
REAR ASSY 6
UPPER DOOR 7
UPPER OVEN 8
UPPER UNIT ASSEMBLY 9
WIRING 10



Appendix B:Parts Index

000268-000	4, 7	C9008504LE	4
000594-000	4, 7	C9008504MJ	4
000623-000	4, 7	C9008504SG	4
031449-000	5, 8	C9008504VB	4
040197-000	10	C9008504WH	4
050172-000	9	C9008546AL	7
A1006178	6	C9008546BK	7
A1006179	6	C9008546BT	7
A2002189	4, 7	C9008546BU	7
A2002904	5, 8	C9008546CB	7
A2006180	6	C9008546EP	7
A2006181	6	C9008546FG	7
A2006199	6	C9008546GG	7
A2006321	6	C9008546LE	7
A2006322	6	C9008546MJ	7
A2007699	9	C9008546SG	7
A2007906	9	C9008546VB	7
A2008503	4, 7	C9008546WH	7
A2008508	9	C9208540BK	9
A2008511	6	C9208540WH	9
A2008526	9	E9108528	4, 7
A2008527	9	E9108529	4, 7
A2008532	4, 7	G3208500AL	4
A2008533	4, 7	G3208500ALBR	4
A2008534	4, 7	G3208500BK	4
A2008541	6	G3208500BKBR	4
B1007234	5, 8	G3208500BT	4
B2002167	8	G3208500BTBR	4
B2002185	8	G3208500BU	4
B2008504	4	G3208500BUBR	4
B2008546	7	G3208500CB	4
B9208540	9	G3208500CBBR	4
C9008504AL	4	G3208500EP	4
C9008504BK	4	G3208500EPBR	4
C9008504BT	4	G3208500FG	4
C9008504BU	4	G3208500FGBR	4
C9008504CB	4	G3208500GG	4
C9008504EP	4	G3208500GGBR	4
C9008504FG	4	G3208500LE	4
C9008504GG	4	G3208500LEBR	4
		G3208500MJ	4



G3208500MJBR	4	G9108531	4, 7
G3208500SG	4	G9108536	5
G3208500SGBR	4	J1008505	4, 7
G3208500SS	4	PB010148	9
G3208500SSBR	4	PB010149	9
G3208500VB	4	PB010150	9
G3208500VBBR	4	PB010151	9
G3208500WH	4	PB010163	9
G3208500WHBR	4	PB010164	9
G3208545AL	7	PB010165	9
G3208545ALBR	7	PB010166	9
G3208545BK	7	PB010209	9
G3208545BKBR	7	PB010246	9
G3208545BT	7	PB010247	9
G3208545BTBR	7	PB010248	9
G3208545BU	7	PB010249	9
G3208545BUBR	7	PB020175	6
G3208545CB	7	PB060030	5, 8
G3208545CBBR	7	PB060045	5, 8
G3208545EP	7	PC020016	5, 8
G3208545EPBR	7	PC020188	4, 7
G3208545FG	7	PD020032	4, 7
G3208545FGBR	7	PD040034	10
G3208545GG	7	PE010016	4
G3208545GGBR	7	PE010017	4
G3208545LE	7	PE010079	4
G3208545LEBR	7	PE010080	4
G3208545MJ	7	PE030001PVD	4, 7
G3208545MJBR	7	PE030133	4, 7
G3208545SG	7	PE030133PVD	4, 7
G3208545SGBR	7	PE040069	9
G3208545SS	7	PE040190	9
G3208545SSBR	7	PE040192	9
G3208545VB	7	PE040193	9
G3208545VBBR	7	PE040200	9
G3208545WH	7	PE050005	5, 8
G3208545WHBR	7	PE050023	9
G4007966	10	PE050024	9
G9102750	5, 8	PE050059	9
G9108501	4, 7	PE050087	5, 9
G9108522	8	PE050112	5, 8



PE050114	8
PE050115	8
PE050213	9
PE060065	4, 7
PE060066	4, 7
PE060067	4, 7
PE060068BR	4, 7
PE070147	9
PE070148	9
PE070308	9
PE070492	10
PE070493	10
PE070494	10
PE070495	10
PE070497	10
PE070498	10
PE070529	10
PE070531	10
PE070532	10
PE070533	10
PE070534	10
PE070535	10
PE070537	10
PE070538	10
PE070539	10
PE070571	10
PE070623	10
PE070786	9
PJ010001	5, 8
PJ010002	5, 8
PJ010003	5, 8
PJ010006	5, 8
PJ030001	9
PJ030002	6, 9
PJ030006	9
PJ030010	9
PJ030030	9
PM010029	9
PM010129	9
PS500033	9, 9