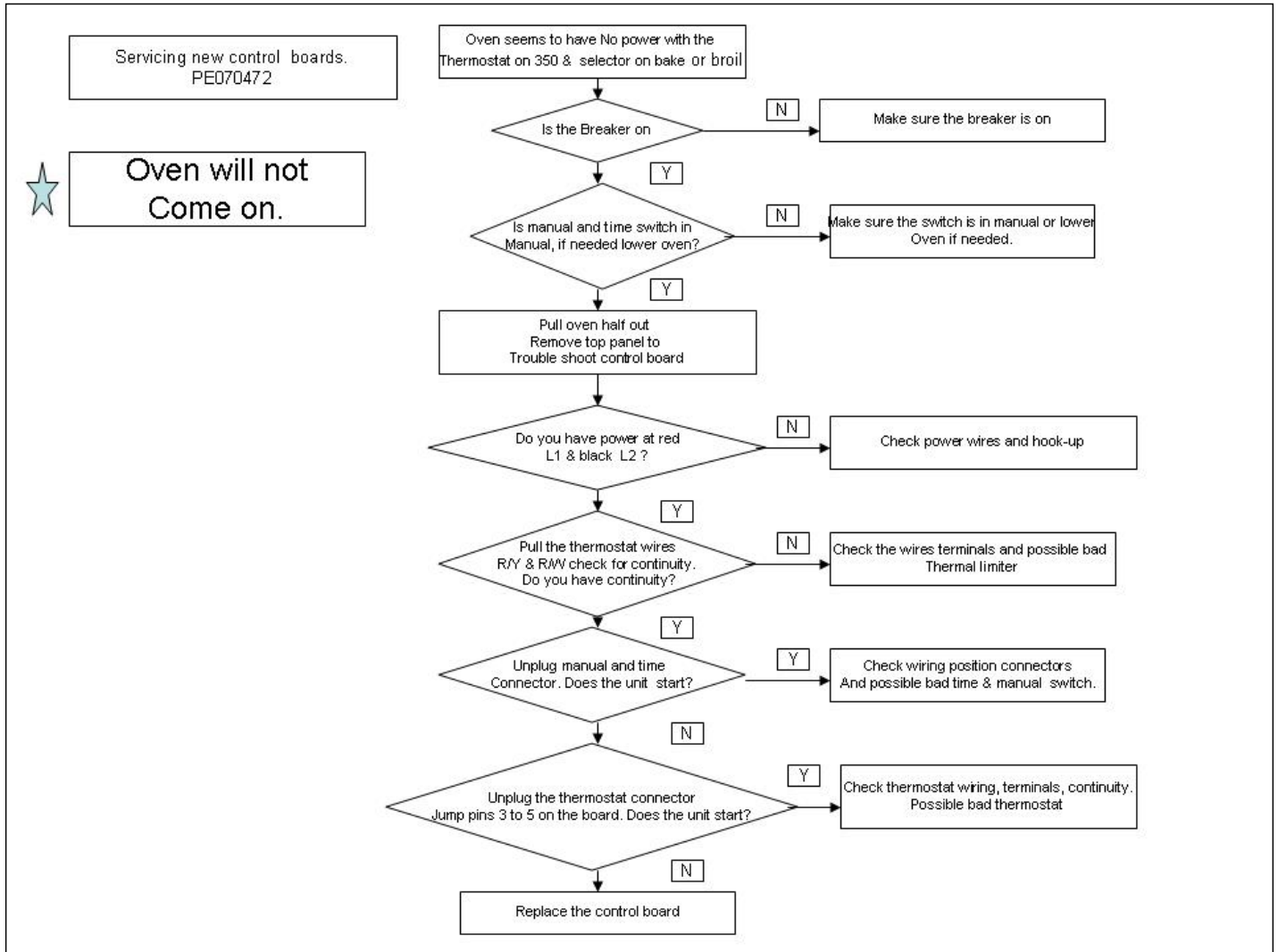


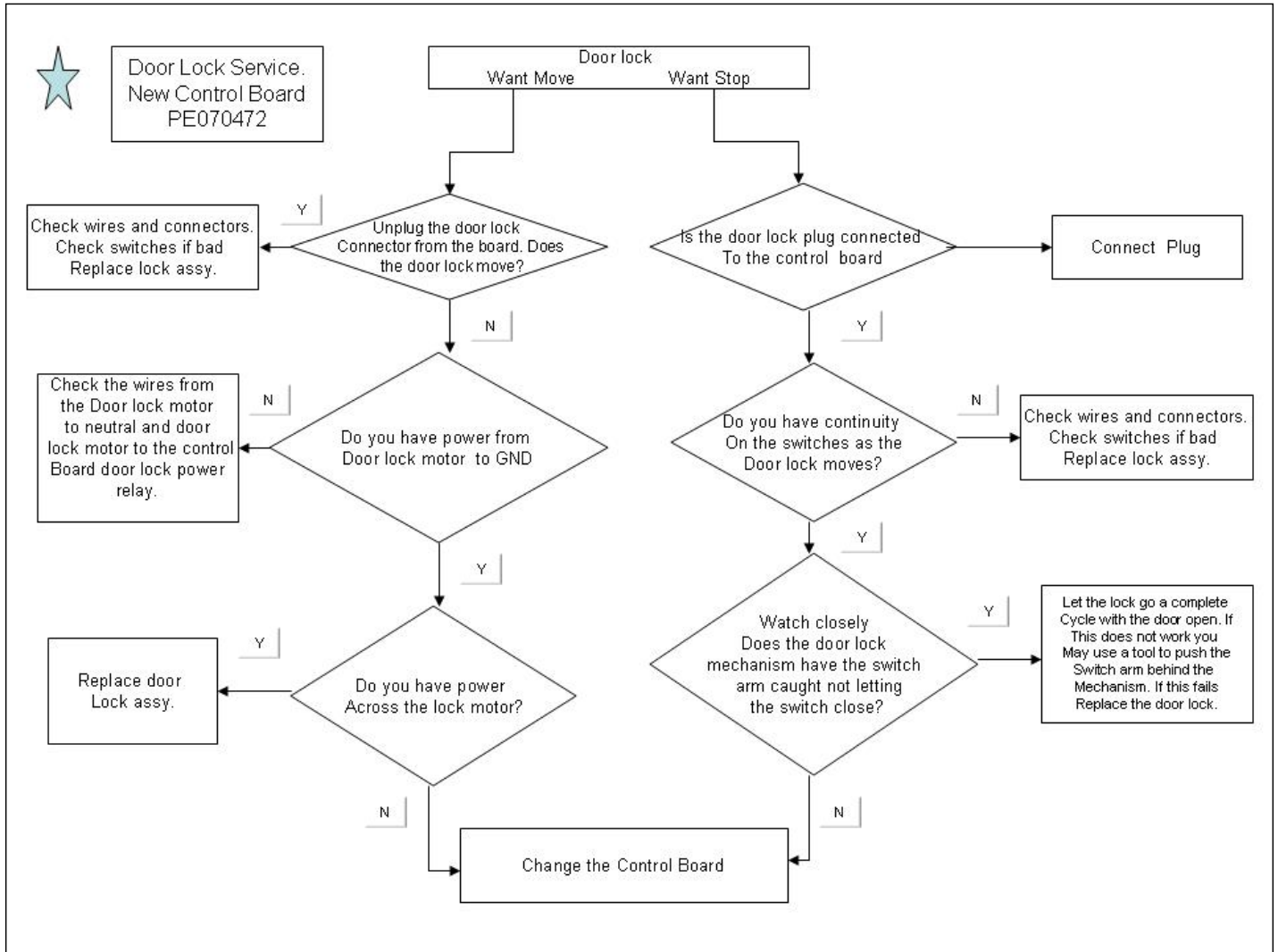
VEDO207C

FLOW CHART NEW BOARD BAKE	1
FLOW CHART NEW BOARD DOOR LOCK	2
FLOW CHART SELF CLEAN	3
LOWER DOOR ASSY	4
LOWER OVEN ASSY	5
REAR ASSEMBLY	6
TOP ASSY	7
UPPER DOOR ASSY	8
UPPER OVEN ASSY	9
Appendix A:Pages Index	A
Appendix B:Parts Index	B

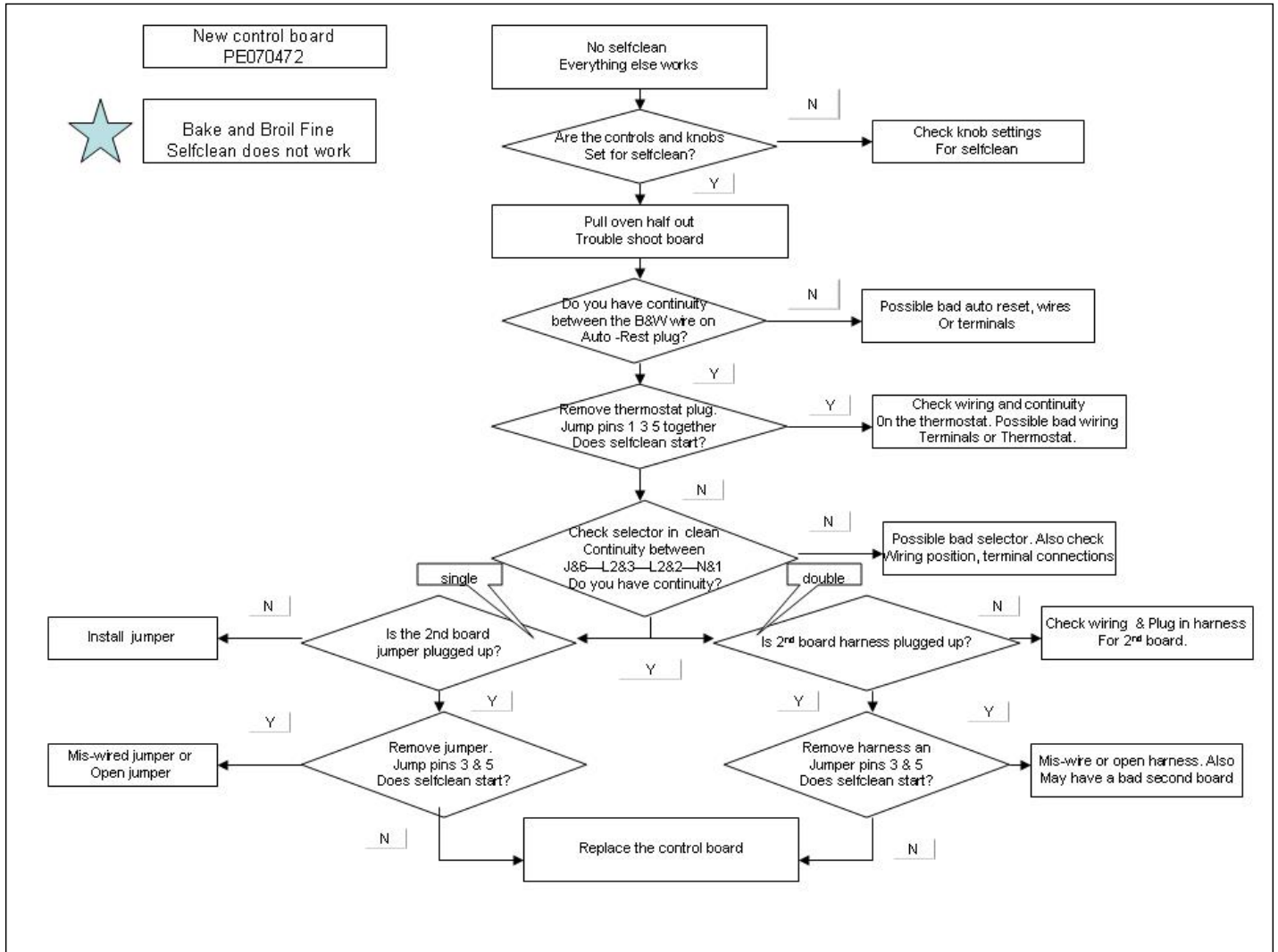
FLOW CHART NEW BOARD BAKE



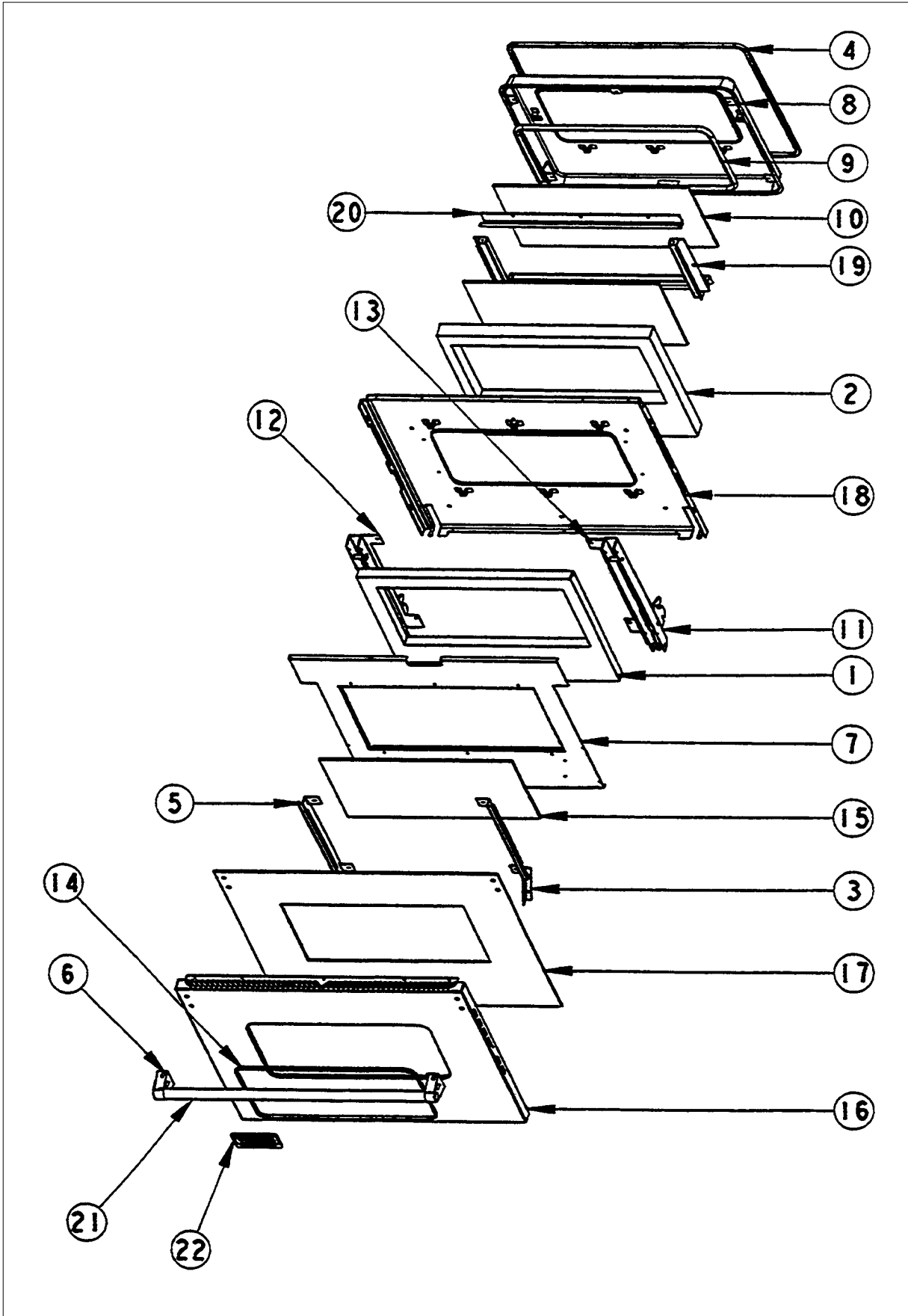
FLOW CHART NEW BOARD DOOR LOCK



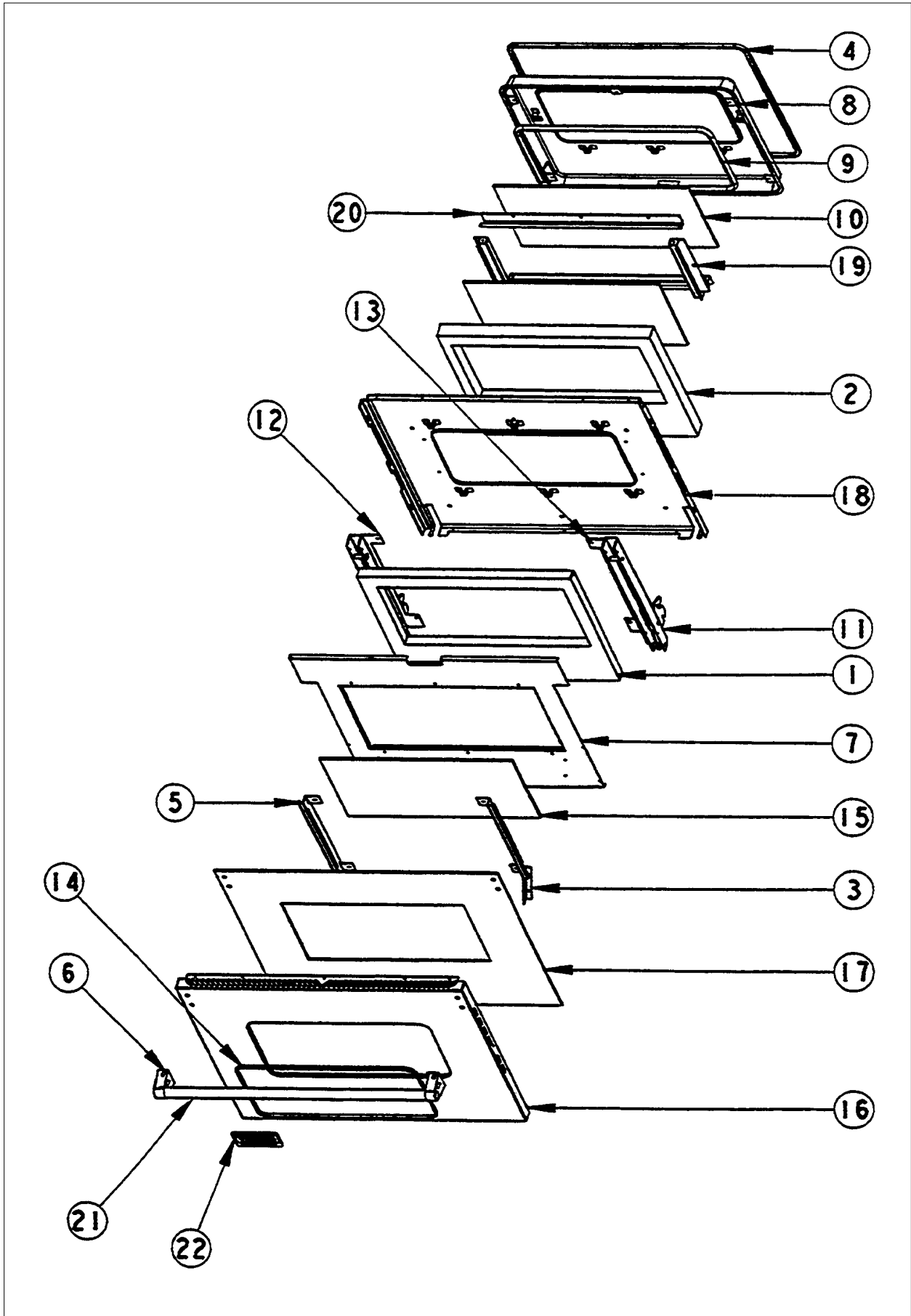
FLOW CHART SELF CLEAN



LOWER DOOR ASSY

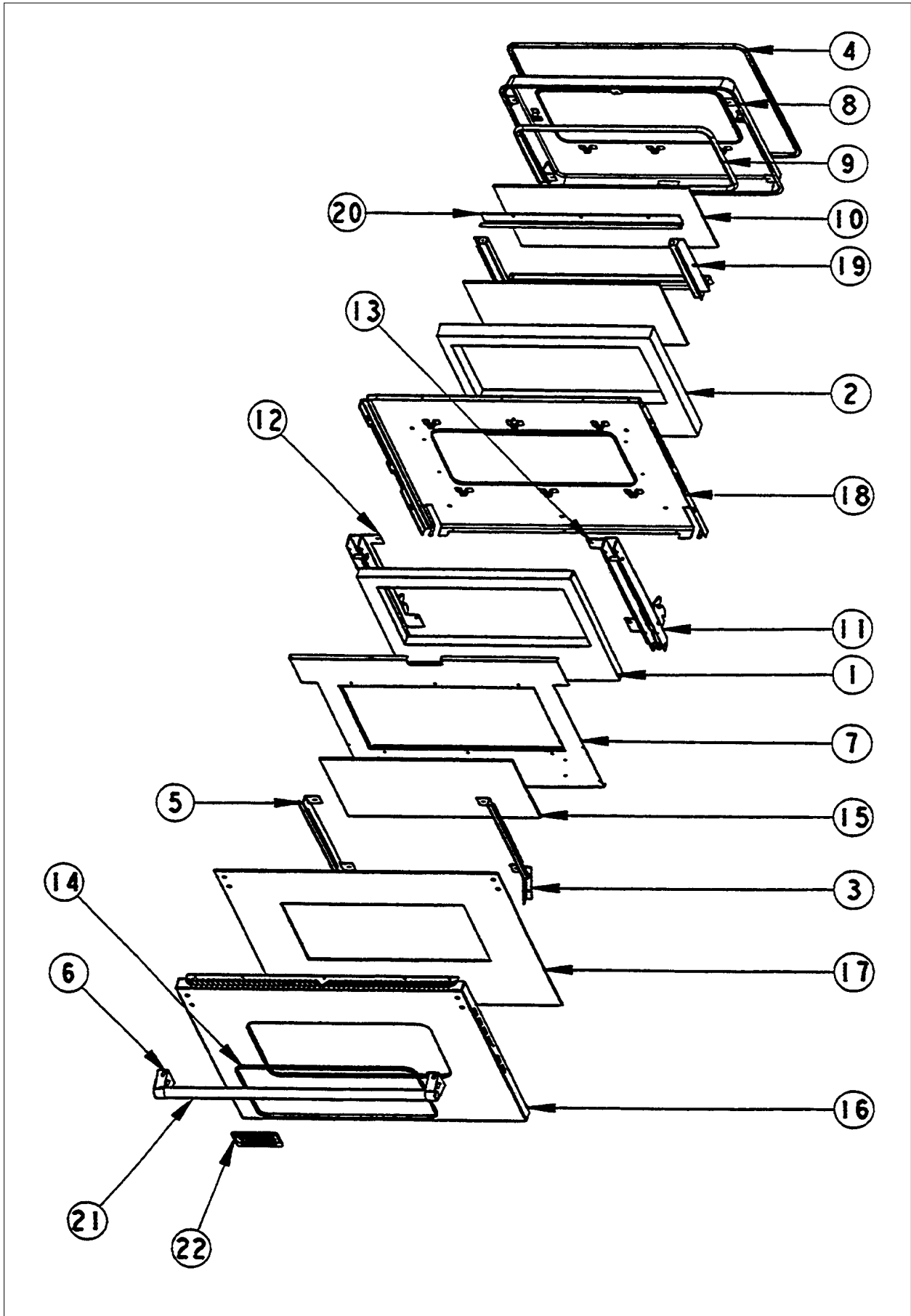


Item	Part No.	Name	Qty	Uom	NOTES
NI	G3202937AL	DOOR ASSY *AL* (VESO/MEDO)	1	EA	NO LONGER AVAILABLE, Not available online / Call for pricing and availability
Not Shown	G3202937ALBR	DOOR ASSY *AL**BR* (VESO/MEDO)	1	EA	NO LONGER AVAILABLE, Not available online / Call for pricing and availability
Not Shown	G3202937BK	DOOR ASSY *BK* (VESO/MEDO)	1	EA	NO LONGER AVAILABLE, Not available online / Call for pricing and availability
Not Shown	G3202937BKBR	DOOR ASSY *BK**BR* (VESO/MEDO)	1	EA	NO LONGER AVAILABLE, Not available online / Call for pricing and availability
Not Shown	G3202937BT	DOOR ASSY *BT* (VESO/MEDO)	1	EA	NO LONGER AVAILABLE, Not available online / Call for pricing and availability
Not Shown	G3202937BTBR	DOOR ASSY *BT**BR* (VESO/MEDO)	1	EA	NO LONGER AVAILABLE, Not available online / Call for pricing and availability
Not Shown	G3202937BU	DOOR ASSY *BU* (VESO/MEDO)	1	EA	NO LONGER AVAILABLE
Not Shown	G3202937BUBR	DOOR ASSY *BU**BR* (VESO/MEDO)	1	EA	NO LONGER AVAILABLE, Not available online / Call for pricing and availability
Not Shown	G3202937CB	DOOR ASSY *CB* (VESO/MEDO)	1	EA	NO LONGER AVAILABLE
Not Shown	G3202937CBBR	DOOR ASSY *CB**BR* (VESO/MEDO)	1	EA	NO LONGER AVAILABLE, Not available online / Call for pricing and availability
Not Shown	G3202937EP	DOOR ASSY *EP* (VESO/MEDO)	1	EA	NO LONGER AVAILABLE, Not available online / Call for pricing and availability
Not Shown	G3202937EPBR	DOOR ASSY *EP**BR* (VESO/MEDO)	1	EA	NO LONGER AVAILABLE, Not available online / Call for pricing and availability

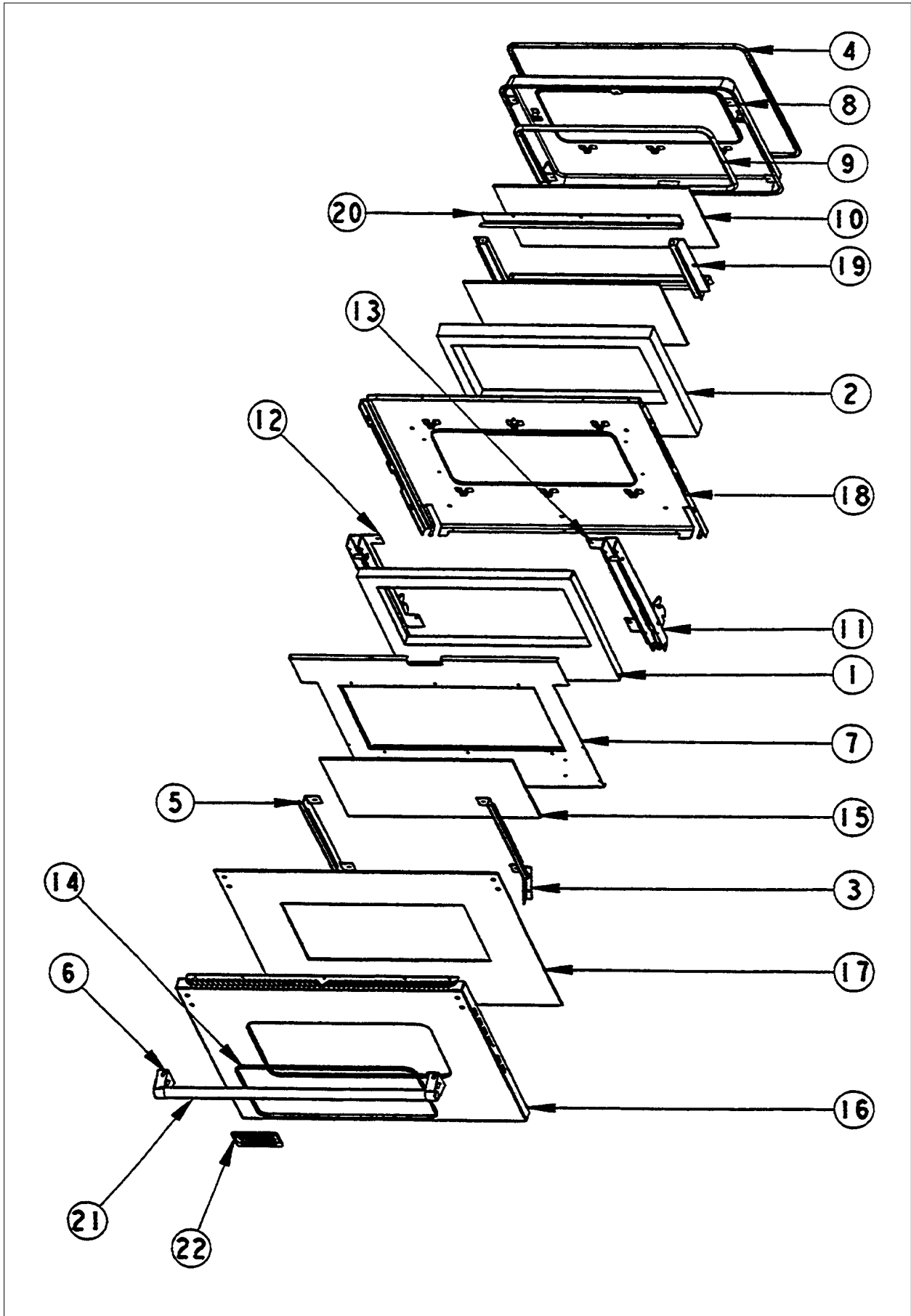




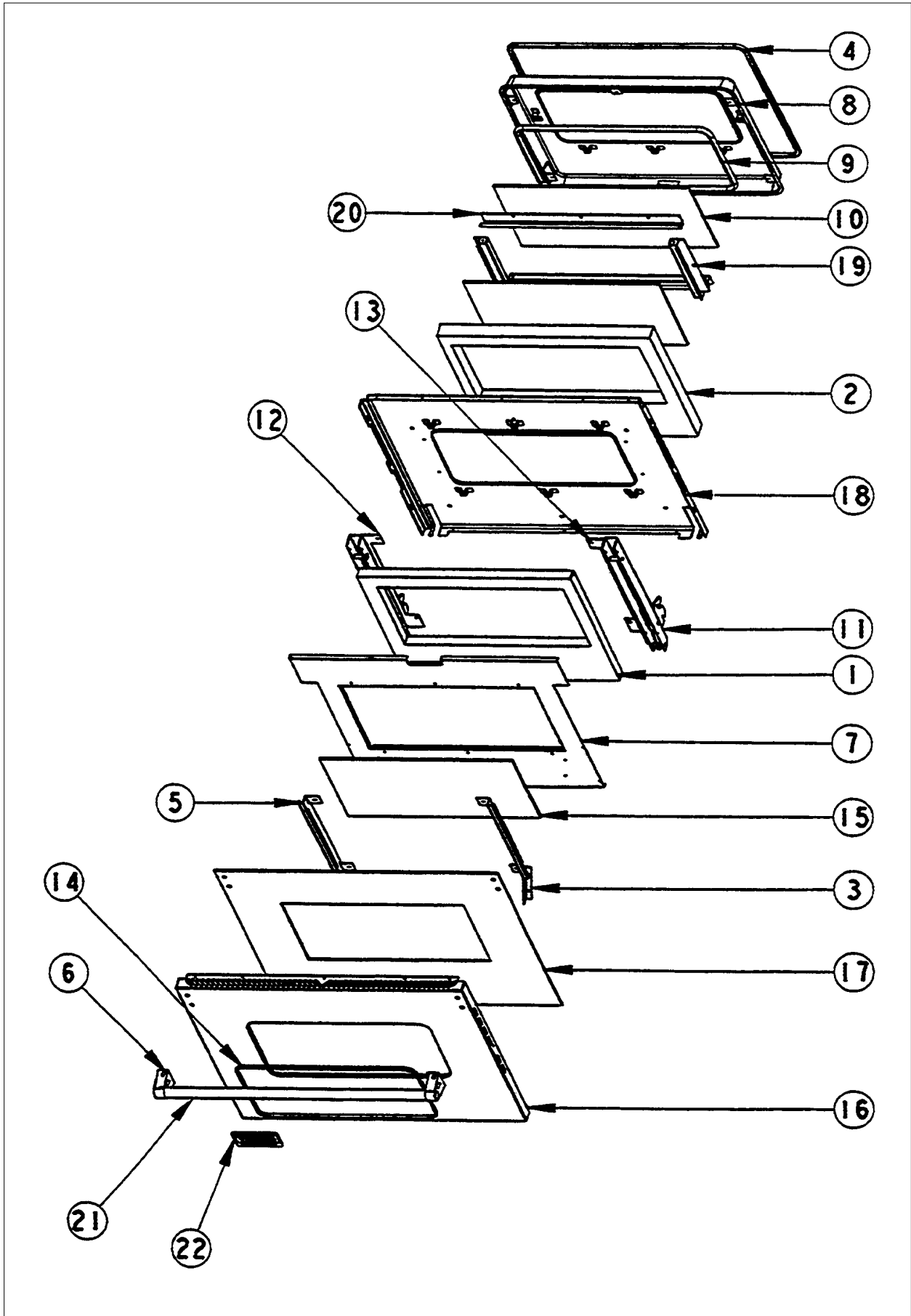
Item	Part No.	Name	Qty	Uom	NOTES
Not Shown	G3202937FG	DOOR ASSY *FG* (VESO/VEDO)	1	EA	NO LONGER AVAILABLE, Not available online / Call for pricing and availability
Not Shown	G3202937FGBR	DOOR ASSEMBLY - FGBR	1	EA	Not available online / Call for pricing and availability
Not Shown	G3202937GG	DOOR ASSY *GG* (VESO/VEDO)	1	EA	NO LONGER AVAILABLE, Not available online / Call for pricing and availability
Not Shown	G3202937GGBR	DOOR ASSY *GG*BR* (VESO/VEDO)	1	EA	NO LONGER AVAILABLE, Not available online / Call for pricing and availability
Not Shown	G3202937LE	DOOR ASSY *LE* (VESO/VEDO)	1	EA	NO LONGER AVAILABLE, Not available online / Call for pricing and availability
Not Shown	G3202937LEBR	DOOR ASSY *LE**BR* (VESO/VEDO)	1	EA	NO LONGER AVAILABLE, Not available online / Call for pricing and availability
Not Shown	G3202937LN	DOOR ASSY *LN* (VESO/VEDO)	1	EA	NO LONGER AVAILABLE, Not available online / Call for pricing and availability
Not Shown	G3202937LNBR	DOOR ASSEMBLY - LNBR	1	EA	Not available online / Call for pricing and availability
Not Shown	G3202937MJ	DOOR ASSY *MJ* (VESO/VEDO)	1	EA	NO LONGER AVAILABLE, Not available online / Call for pricing and availability
Not Shown	G3202937MJBR	DOOR ASSY *MJ**BR* (VESO/VEDO)	1	EA	NO LONGER AVAILABLE, Not available online / Call for pricing and availability
Not Shown	G3202937PL	DOOR ASSY *PL* (VESO/VEDO)	1	EA	NO LONGER AVAILABLE, Not available online / Call for pricing and availability



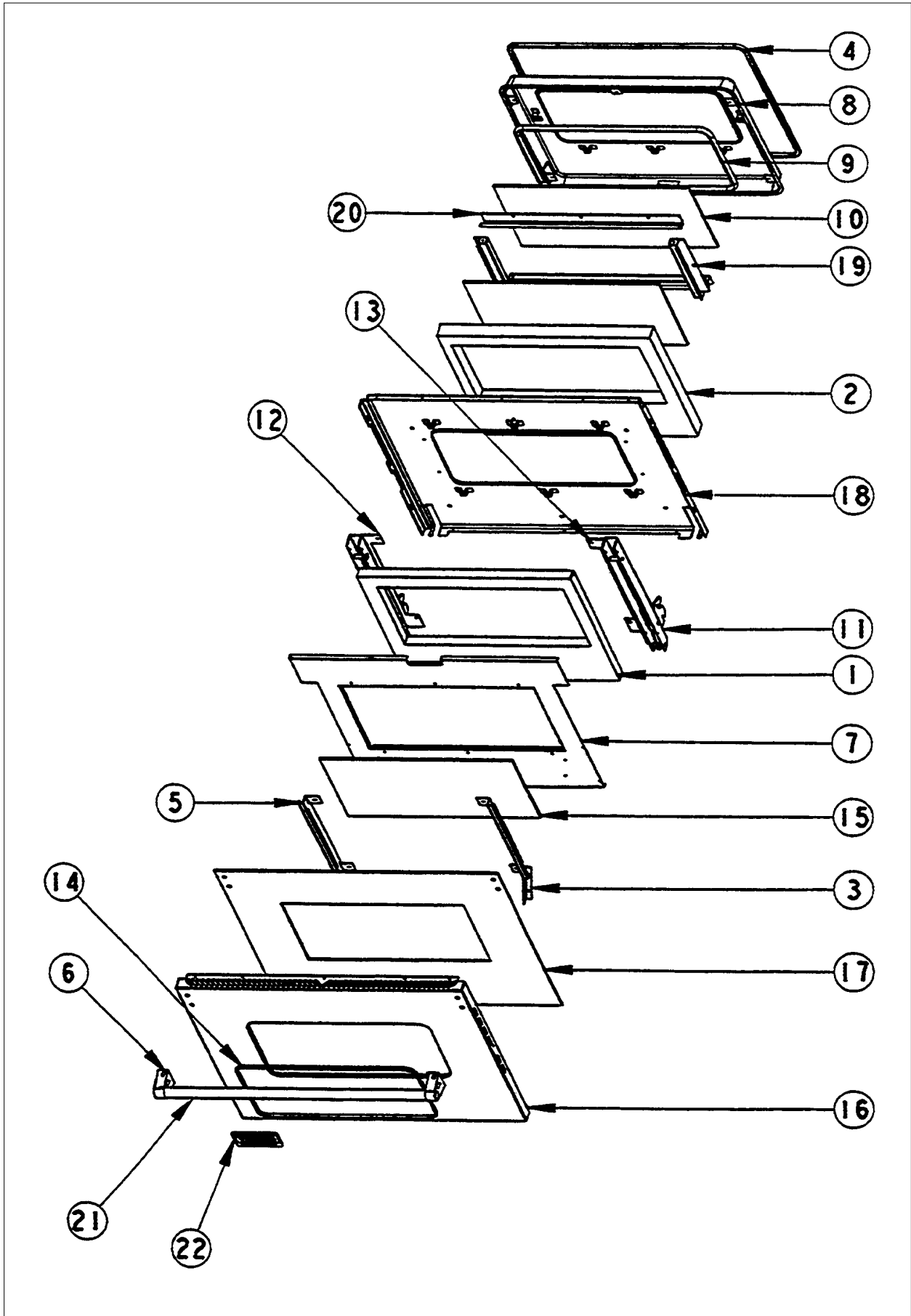
Item	Part No.	Name	Qty	Uom	NOTES
Not Shown	G3202937PLBR	DOOR ASSY *PL**BR* (VESO/MEDO)	1	EA	NO LONGER AVAILABLE, Not available online / Call for pricing and availability
Not Shown	G3202937SG	DOOR ASSY *SG* (VESO/MEDO)	1	EA	NO LONGER AVAILABLE, Not available online / Call for pricing and availability
Not Shown	G3202937SGBR	DOOR ASSY *SG**BR* (VESO/MEDO)	1	EA	NO LONGER AVAILABLE, Not available online / Call for pricing and availability
Not Shown	G3202937SS	DOOR ASSY *SS* (VESO/MEDO)	1	EA	
Not Shown	G3202937SSBR	DOOR ASSY *SS**BR* (VESO/MEDO)	1	EA	NO LONGER AVAILABLE
Not Shown	G3202937VB	DOOR ASSY *VB* (VESO/MEDO)	1	EA	NO LONGER AVAILABLE, Not available online / Call for pricing and availability
Not Shown	G3202937VBBR	DOOR ASSY *VB**BR*(VESO/MEDO)	1	EA	NO LONGER AVAILABLE, Not available online / Call for pricing and availability
Not Shown	G3202937WH	DOOR ASSY *WH* (VESO/MEDO)	1	EA	NO LONGER AVAILABLE, Not available online / Call for pricing and availability
Not Shown	G3202937WHBR	DOOR ASSY *WH**BR* (VESO/MEDO) WH/B	1	EA	NO LONGER AVAILABLE, Not available online / Call for pricing and availability
1	PB070034	INSULATION-TRS-10 1" X 20" X 77' ROLL	1	EA	
2	PB070038	TRS-10 2" X 24" X 3' INSULATION	1	EA	
3	A2002497	DOOR GUIDE ANGLE VDSC	1	EA	
4	000623-000	DOOR GASKET(3/8"DIA.) (VDSC)	1	EA	
5	A2002367	DOOR GLASS BRKT	1	EA	
6	000268-000	HANDLE ENDCAP	1	EA	
Not Shown	PE030001PVD	END CAP DOOR HANDLE *BR	1	EA	



Item	Part No.	Name	Qty	Uom	NOTES
7	A2002930	DOOR INSUL. RET. FORMED	1	EA	
8	G50010123	VESO105/VEDO205 DR LINER SVC-KIT	1	EA	
9	000594-000	BLACK FIBERGLASS ROPE 3/8	1	EA	
10	PE060039	GLASS-HEAT TREATED (HB2) VDSC	1	EA	
11	PC020188	DOOR HINGE	1	EA	
12	A2002960	HINGE BRACKET - LH (VEDO/VESO)	1	EA	
13	A2002962	HINGE BRACKET - RH (VEDO/VESO)	1	EA	
14	PE060031	J-MOLD (LARGE WINDOW)	1	EA	
Not Shown	PE060045	J-MOLD (LARGE WINDOW) *BR*	1	EA	
15	PE060030	OUTER DOOR GLASS	1	EA	
16	B2002931	O/S DOOR PANEL *SS* (VEDO/VESO)	1	EA	
Not Shown	C9002931AL	O/S DOOR PANEL *AL* (VEDO/VESO)	1	EA	NO LONGER AVAILABLE, Not available online / Call for pricing and availability
Not Shown	C9002931BK	O/S DOOR PANEL *BK* (VEDO/VESO)	1	EA	
Not Shown	C9002931BT	O/S DOOR PANEL *BT* (VEDO/VESO)	1	EA	NO LONGER AVAILABLE
Not Shown	C9002931BU	O/S DOOR PANEL *BU* (VEDO/VESO)	1	EA	NO LONGER AVAILABLE
Not Shown	C9002931CB	O/S DOOR PANEL *CB* (VEDO/VESO)	1	EA	NO LONGER AVAILABLE
Not Shown	C9002931EP	O/S DOOR PANEL *EP* (VEDO/VESO)	1	EA	NO LONGER AVAILABLE, Not available online / Call for pricing and availability
Not Shown	C9002931FG	O/S DOOR PANEL *FG* (VEDO/VESO)	1	EA	NO LONGER AVAILABLE, Not available online / Call for pricing and availability
Not Shown	C9002931GG	O/S DOOR PANEL *GG* (VEDO/VESO)	1	EA	NO LONGER AVAILABLE
Not Shown	C9002931LE	O/S DOOR PANEL *LE* (VEDO/VESO)	1	EA	NO LONGER AVAILABLE



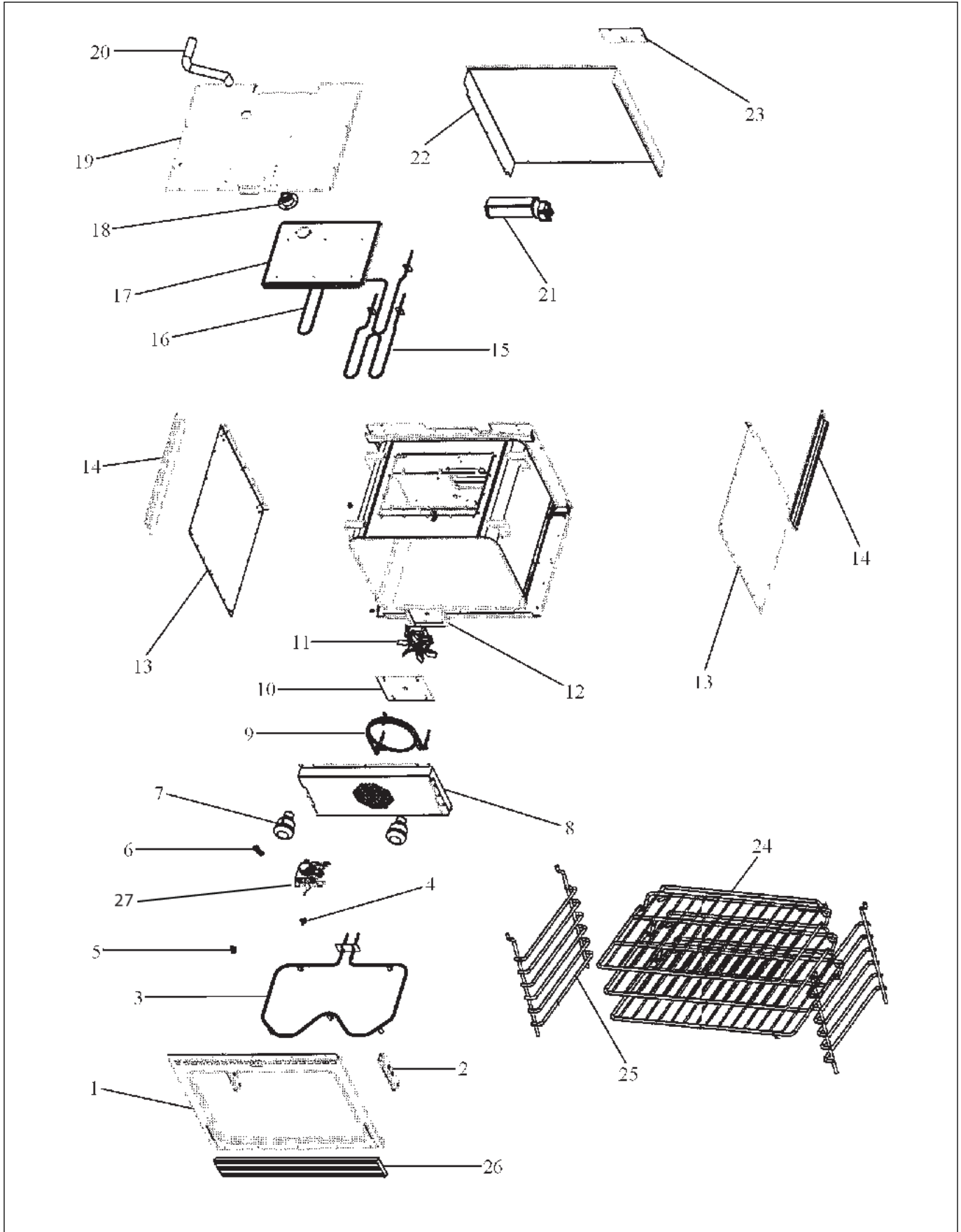
Item	Part No.	Name	Qty	Uom	NOTES
Not Shown	C9002931LN	O/S DOOR PANEL *LN* (VESO/VEDO)	1	EA	NO LONGER AVAILABLE, Not available online / Call for pricing and availability
Not Shown	C9002931MJ	O/S DOOR PANEL *MJ* (VEDO/VESO)	1	EA	NO LONGER AVAILABLE, Not available online / Call for pricing and availability
Not Shown	C9002931PL	O/S DOOR PANEL *PL* (VEDO/VESO)	1	EA	NO LONGER AVAILABLE, Not available online / Call for pricing and availability
Not Shown	C9002931SG	O/S DOOR PANEL *SG* (VEDO/VESO)	1	EA	Not available online / Call for pricing and availability
Not Shown	C9002931VB	O/S DOOR PANEL *VB* (VEDO/VESO)	1	EA	NO LONGER AVAILABLE, Not available online / Call for pricing and availability
Not Shown	C9002931WH	O/S DOOR PANEL *WH* (VEDO/VESO)	1	EA	NO LONGER AVAILABLE, Not available online / Call for pricing and availability
17	J1002939	OVEN DR HEAT SINK (VESO/DO)	1	EA	
18	G50010123	VESO105/VEDO205 DR LINER SVC-KIT	1	EA	
19	E9102179	WINDOW LINER-SIDE (VDSC)	1	EA	
20	E9102178	WINDOW LINER-TOP/BTM (VDSC)	1	EA	
21	PE030036	DOOR HANDLE *SS* (VESO/VEDO) 26.935	1	EA	
Not Shown	F0002944BR	DOOR HANDLE-VEDO/VESO (CUT-TO-SIZE)	1	EA	NO LONGER AVAILABLE
22	PE010016	LOGO (ALL RANGES) *BK/CHR 307997W	1	EA	
Not Shown	PE010017	LOGO (VGSO,VEDO,VGDO,VUD) *WH/CHR	1	EA	
Not Shown	PE010079	4.5" LOGO/VIKING PROF *BK/BR	1	EA	
Not Shown	PE010080	4.5" LOGO/VIKING PROF *WH/BR	1	EA	





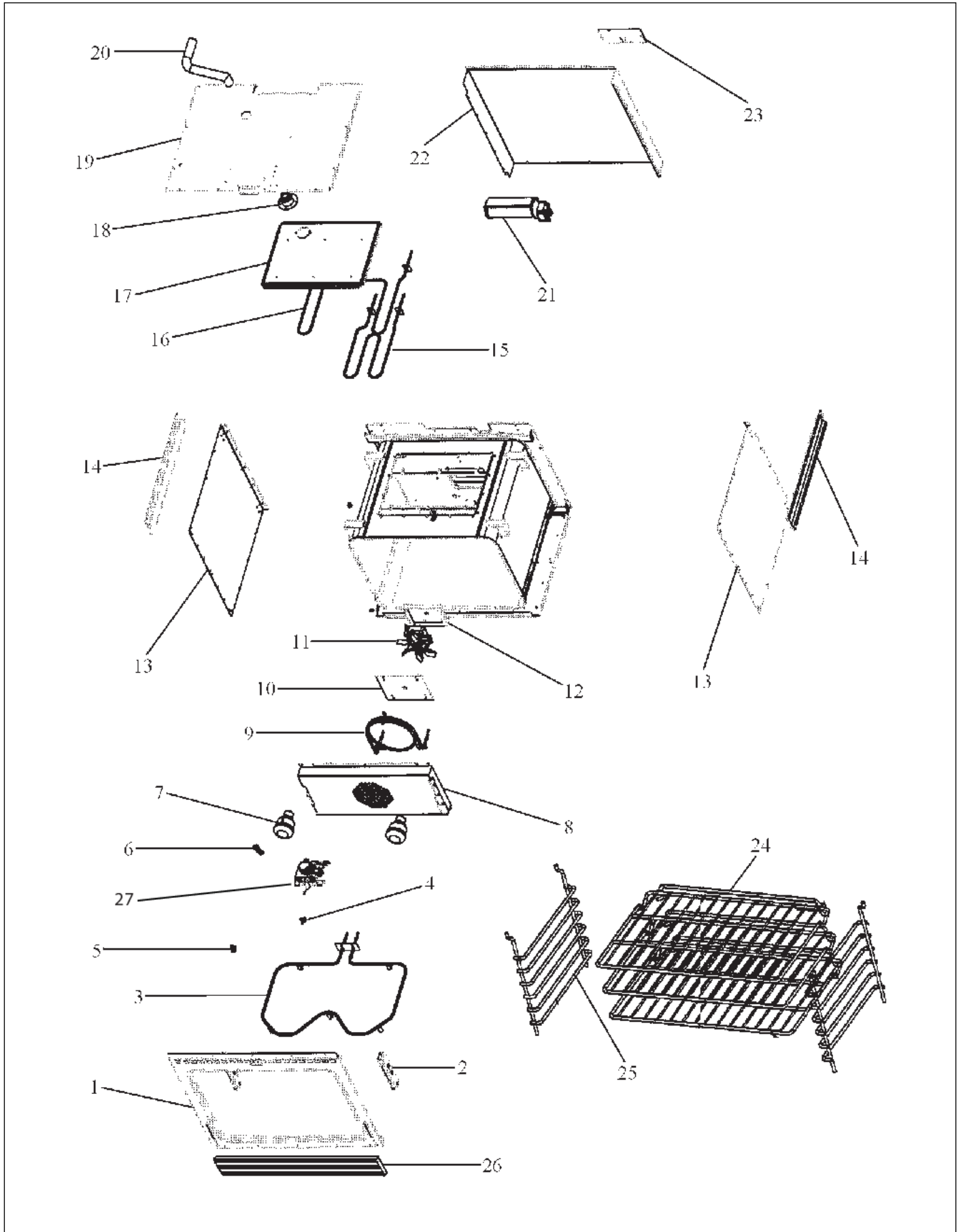
Item	Part No.	Name	Qty	Uom	NOTES
NI	B1009167	HINGE CLIP	1	EA	

LOWER OVEN ASSY





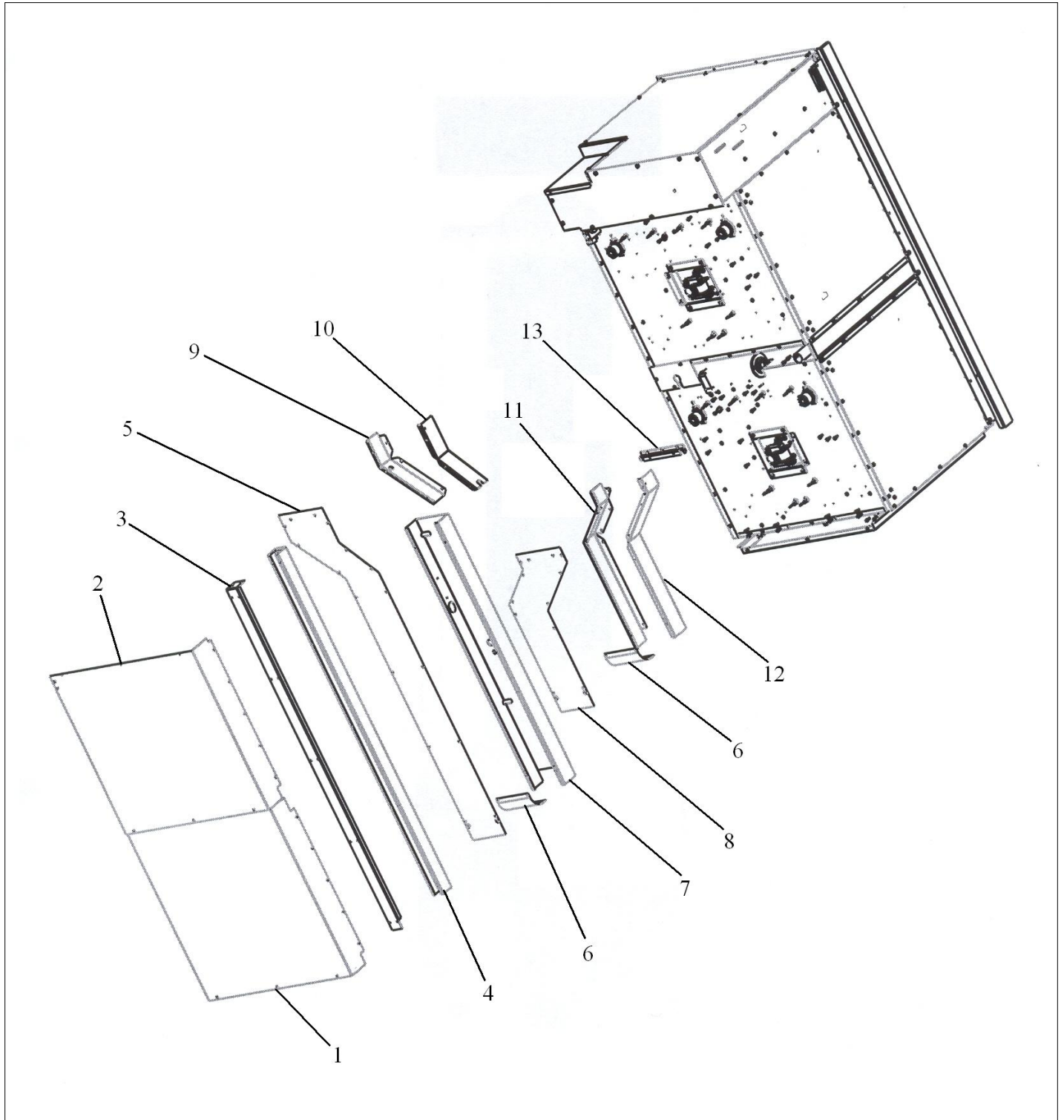
Item	Part No.	Name	Qty	Uom	NOTES
1	H9107882	30" LOWER FRONT FRAME ASSY		EA	Not available online / Call for pricing and availability
2	PC020016	HINGE RECEIVER (VEDO/VEDO)		EA	
3	PJ010004	BAKE ELEMENT (VDSC) 240V		EA	
4	PJ030022	FAN SWITCH (HI-LIMIT SWITCH)		EA	
5	N/A	Meat Probe Jack Cover		EA	
6	N/A	Meat Probe Jack		EA	
7	031449-000	LAMP, ASM		EA	
8	E9102170	CONVECTION FAN COVER		EA	
9	PJ010003	CONVECTION ELEMENT (VDSC) 240V		EA	
10	A1002596	CONVECTION FAN COVER (VDSC)		EA	
11	PE050005	CONVECTION FAN ASSY		EA	
12	A2002595	CONVECTION FAN BOX (VDSC)		EA	
13	A2002904	SIDE INSULATION RETAINER		EA	NO LONGER AVAILABLE, Not available online / Call for pricing and availability
14	A2006088	OVEN MOUNTING BRACKET		EA	NO LONGER AVAILABLE
15	PJ010001	BROIL ELEMENT 240V		EA	
16	PJ010002	BROIL ELEMENT(MAXI)-SIDE (VDSC)240V		EA	
17	B2002167	BROILER TOP (VDSC)		EA	NO LONGER AVAILABLE
18	PM010014	SMOKE ELIMINATOR (VDSC)		EA	
19	A2006090	LOWER TOP INSULATION RETAINER		EA	NO LONGER AVAILABLE, Not available online / Call for pricing and availability
20	PB020117	DESIGNER OVEN VENT		EA	NO LONGER AVAILABLE
21	PE050087	BLOWER ASSEMBLY - DESIGNER SERIES		EA	





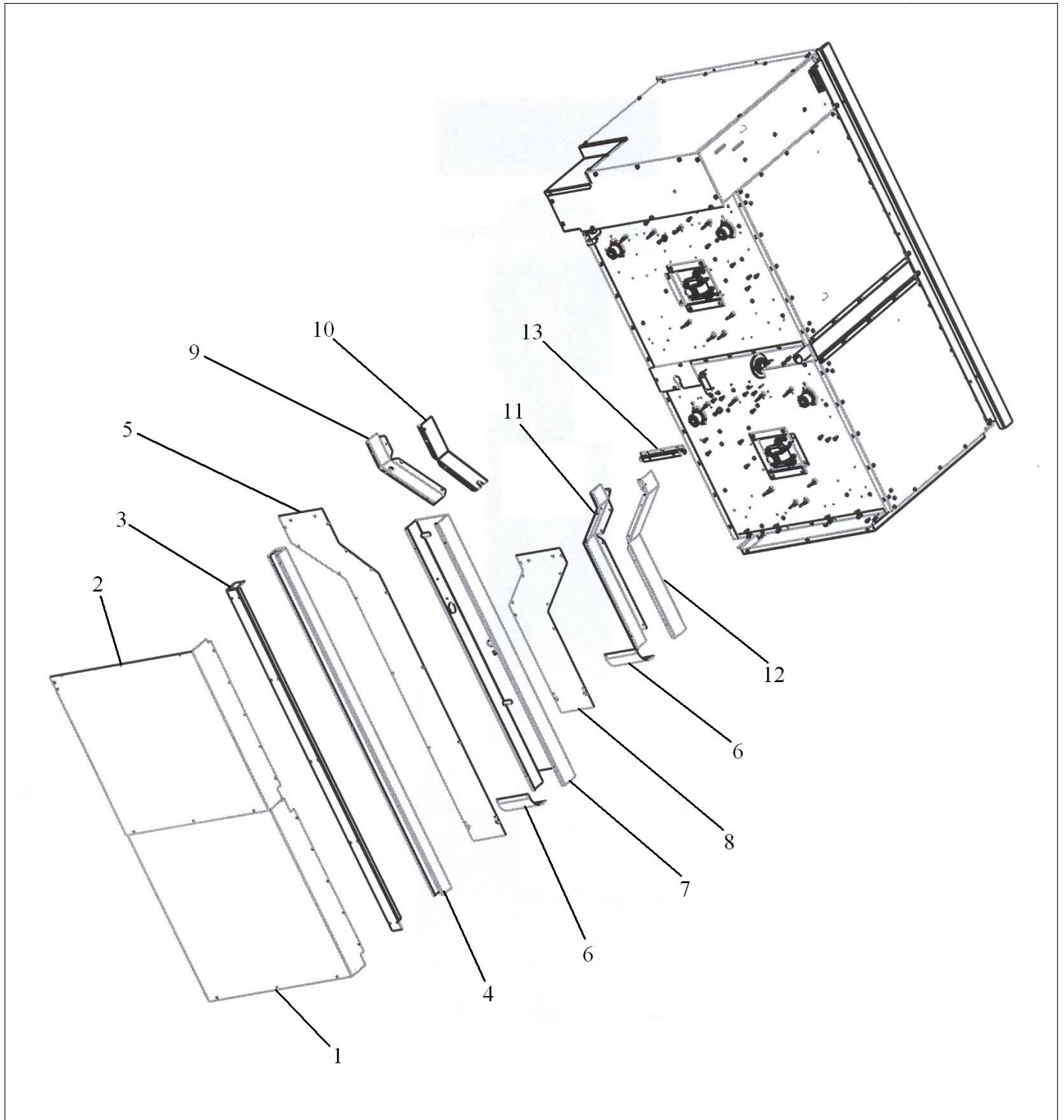
Item	Part No.	Name	Qty	Uom	NOTES
22	A2008582	30" LOWER OUTER BACK		EA	NO LONGER AVAILABLE, Not available online / Call for pricing and availability
23	A1006103	RH LOWER REAR COVER 30 (DEDO200)		EA	NO LONGER AVAILABLE, Not available online / Call for pricing and availability
24	PB060044	OVEN RK VDSC30/48RH REPL PB060019		EA	
25	PB060030	RACK SUPT REPL PB060010		EA	
26	PE040074	BTM TRIM-EXTRUDED (VESO105/VEDO2		EA	
27	PE050112	DOOR LATCH		EA	
NI	PJ030006	SWITCH (COOLING FAN)		EA	

REAR ASSEMBLY





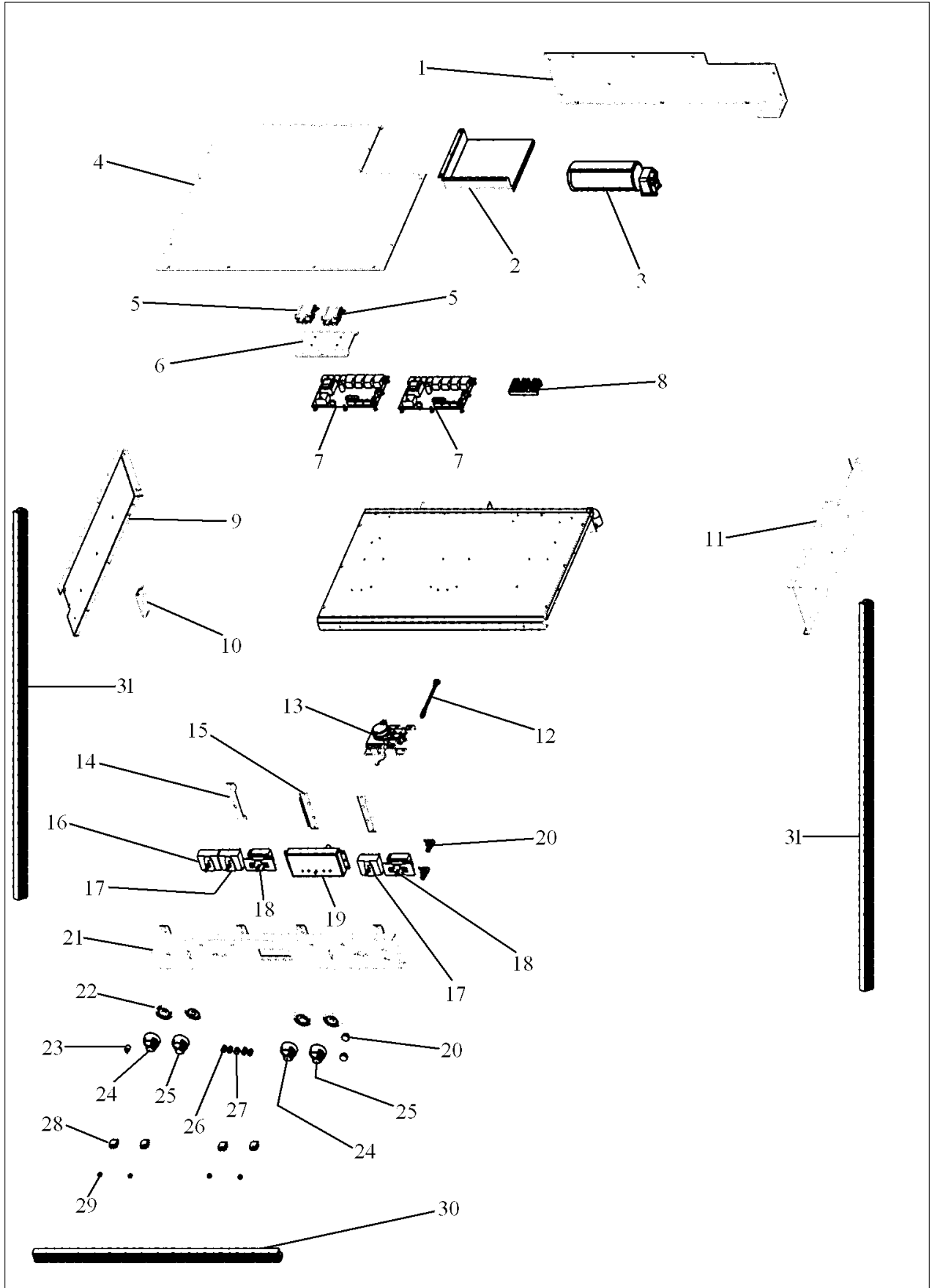
Item	Part No.	Name	Qty	Uom	NOTES
1	A2008582	30" LOWER OUTER BACK	1	EA	NO LONGER AVAILABLE, Not available online / Call for pricing and availability
2	A2008581	30" UPPER OUTER BACK	1	EA	NO LONGER AVAILABLE, Not available online / Call for pricing and availability
3	A2006180	DOUBLE OVEN FLUE COVER	1	EA	NO LONGER AVAILABLE, Not available online / Call for pricing and availability
4	A2006181	DOUBLE OVEN FLUE	1	EA	NO LONGER AVAILABLE, Not available online / Call for pricing and availability
5	A1006179	DOUBLE VENT COVER PLATE	1	EA	NO LONGER AVAILABLE, Not available online / Call for pricing and availability
6	A2006182	AIR SCOOP	1	EA	NO LONGER AVAILABLE
7	A2006199	LOWER AIR VENT	1	EA	NO LONGER AVAILABLE, Not available online / Call for pricing and availability
8	A1006178	LOWER VENT COVER PLATE	1	EA	NO LONGER AVAILABLE, Not available online / Call for pricing and availability
9	A2006323	VENT SIDE RH	1	EA	NO LONGER AVAILABLE, Not available online / Call for pricing and availability
10	A2006324	VENT SIDE LH	1	EA	NO LONGER AVAILABLE, Not available online / Call for pricing and availability
11	A2006321	LOWER VENT SIDE RH	1	EA	NO LONGER AVAILABLE, Not available online / Call for pricing and availability



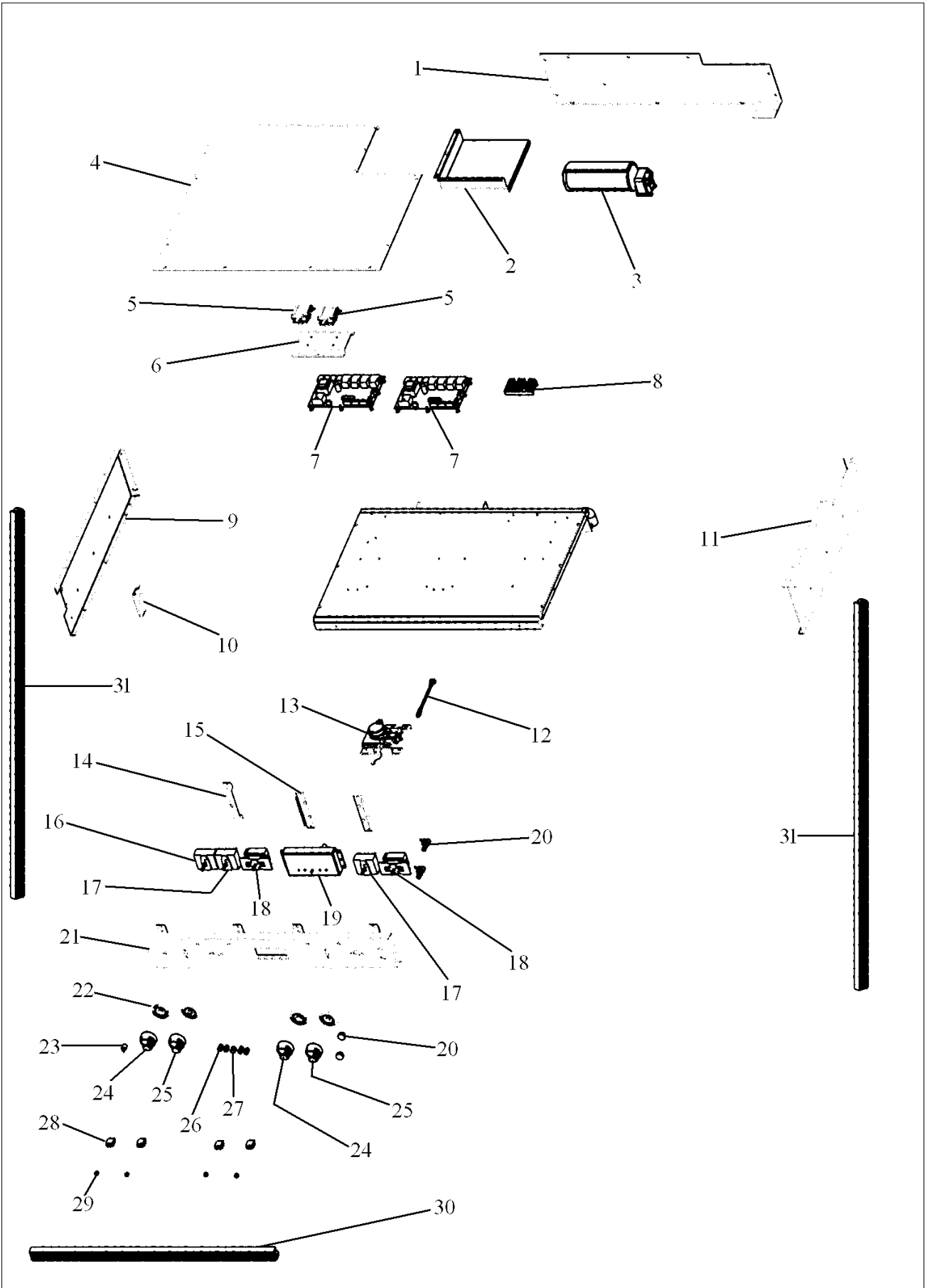


Item	Part No.	Name	Qty	Uom	NOTES
12	A2006322	LOWER VENT SIDE RH	1	EA	NO LONGER AVAILABLE, Not available online / Call for pricing and availability
13	A2006048	FAN MOUNTING BRACKET	1	EA	NO LONGER AVAILABLE, Not available online / Call for pricing and availability

TOP ASSY

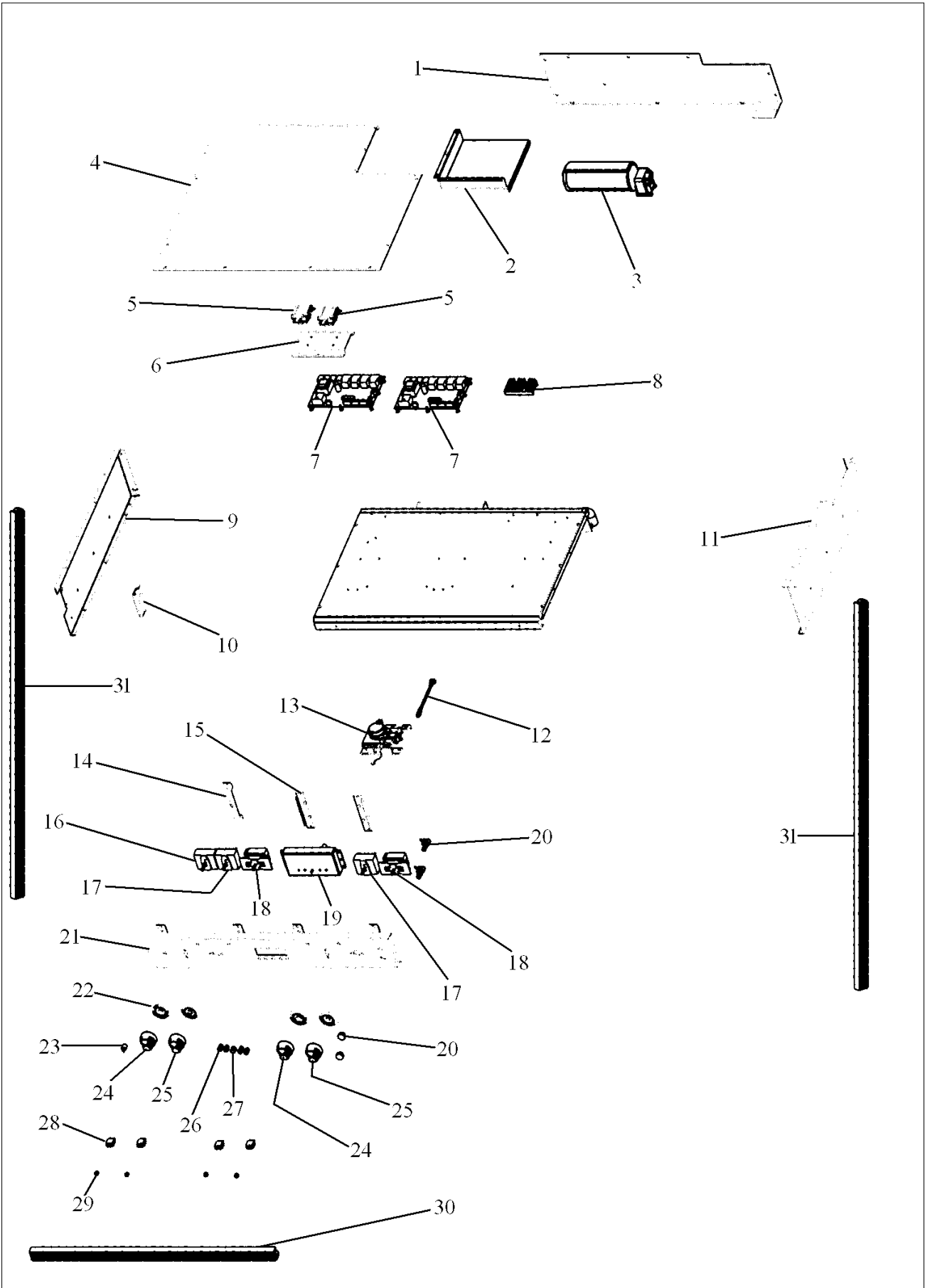


Item	Part No.	Name	Qty	Uom	NOTES
1	A2008557	30" TOP REAR COVER	1	EA	NO LONGER AVAILABLE
2	A2008543	TOP CHANNEL	1	EA	NO LONGER AVAILABLE, Not available online / Call for pricing and availability
3	PE050087	BLOWER ASSEMBLY - DESIGNER SERIES	1	EA	
4	A2008580	30" CABINET TOP	1	EA	NO LONGER AVAILABLE, Not available online / Call for pricing and availability
5	PJ030002	AUTO RESET (SELF-CLEAN) VDSC	1	EA	
6	A2009884	AUTO RESET BRACKET	1	EA	NO LONGER AVAILABLE, Not available online / Call for pricing and availability
7	PE070786	ELECTRONIC CONTROL BOARD	1	EA	
8	PE070147	TERMINAL BLOCK (VDSC)	1	EA	
9	A2006123	CABINET SIDE LH	1	EA	
10	A2006109	SELECTOR SWITCH COVER	1	EA	NO LONGER AVAILABLE, Not available online / Call for pricing and availability
11	A2007906	30"" SINGLE CAB. SIDE RH	1	EA	NO LONGER AVAILABLE, Not available online / Call for pricing and availability
12	PE050059	HI-LIMIT SWITCH	1	EA	
13	PE050112	DOOR LATCH	1	EA	
14	A2008526	SELECTOR BRACKET	1	EA	NO LONGER AVAILABLE
15	A2008527	CLOCK BRACKET	1	EA	
16	PJ030030	4 POS SELECTOR SWITCH	1	EA	
Not Shown	PJ030010	SELECTOR SWITCH (3-POSITION)VEDO205	1	EA	
17	PJ030001	SELECTOR SWITCH (8-POSITION) VDSC	1	EA	
18	PS500033	SUB TO PS500033 - SELF CLEAN THERMOSTAT	1	EA	





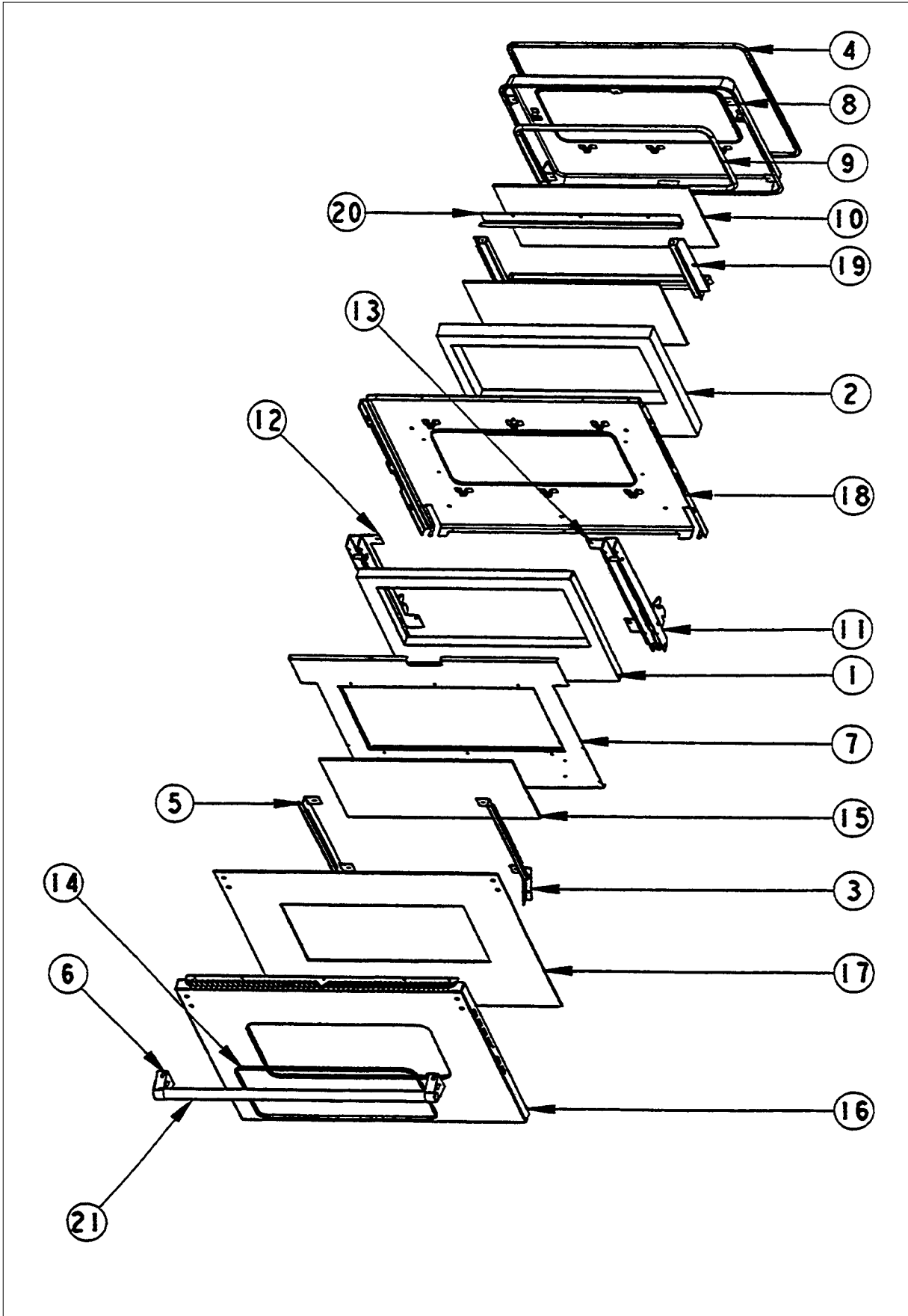
Item	Part No.	Name	Qty	Uom	NOTES
19	PE050049	CLOCK/TIMER(ROBERTSHAW# 100-00550-01	1	EA	NO LONGER AVAILABLE
Not Shown	NOTE	(Before 02/27/06)		EA	
Not Shown	PE050213	PRO 120V DIGITAL CLOCK	1	EA	
Not Shown	NOTE	(After 02/27/06)		EA	
20	PE050019	OVEN LIGHT SWITCH (VGSO166) 90-DEG.	1	EA	
21	B92010565	30" DOUBLE CONTROL PANEL	1	EA	
Not Shown	NOTE	(Before 02/27/06)		EA	
Not Shown	C92010565BK	30" DOUBLE CONTROL PANEL *BK*	1	EA	NO LONGER AVAILABLE
Not Shown	NOTE	(Before 02/27/06)		EA	
Not Shown	C92010565WH	30" DOUBLE CONTROL PANEL *WH*	1	EA	NO LONGER AVAILABLE
Not Shown	NOTE	(Before 02/27/06)		EA	
Not Shown	B92014942	30" DOUBLE CONTROL PANEL	1	EA	
Not Shown	NOTE	(After 02/27/06)		EA	
Not Shown	C92014942BK	30" DOUBLE CONTROL PANEL *BK*	1	EA	NO LONGER AVAILABLE, Not available online / Call for pricing and availability
Not Shown	NOTE	(After 02/27/06)		EA	
Not Shown	C92014942WH	30" DOUBLE CONTROL PANEL *WH*	1	EA	NO LONGER AVAILABLE, Not available online / Call for pricing and availability
Not Shown	NOTE	(After 02/27/06)		EA	
22	PB010152	Bezel - SS	1	EA	
Not Shown	PB010153	Bezel - BR	1	EA	
23	PB010165	TIME MANUAL KNOB *BK* (VESO/VEDO)	1	EA	





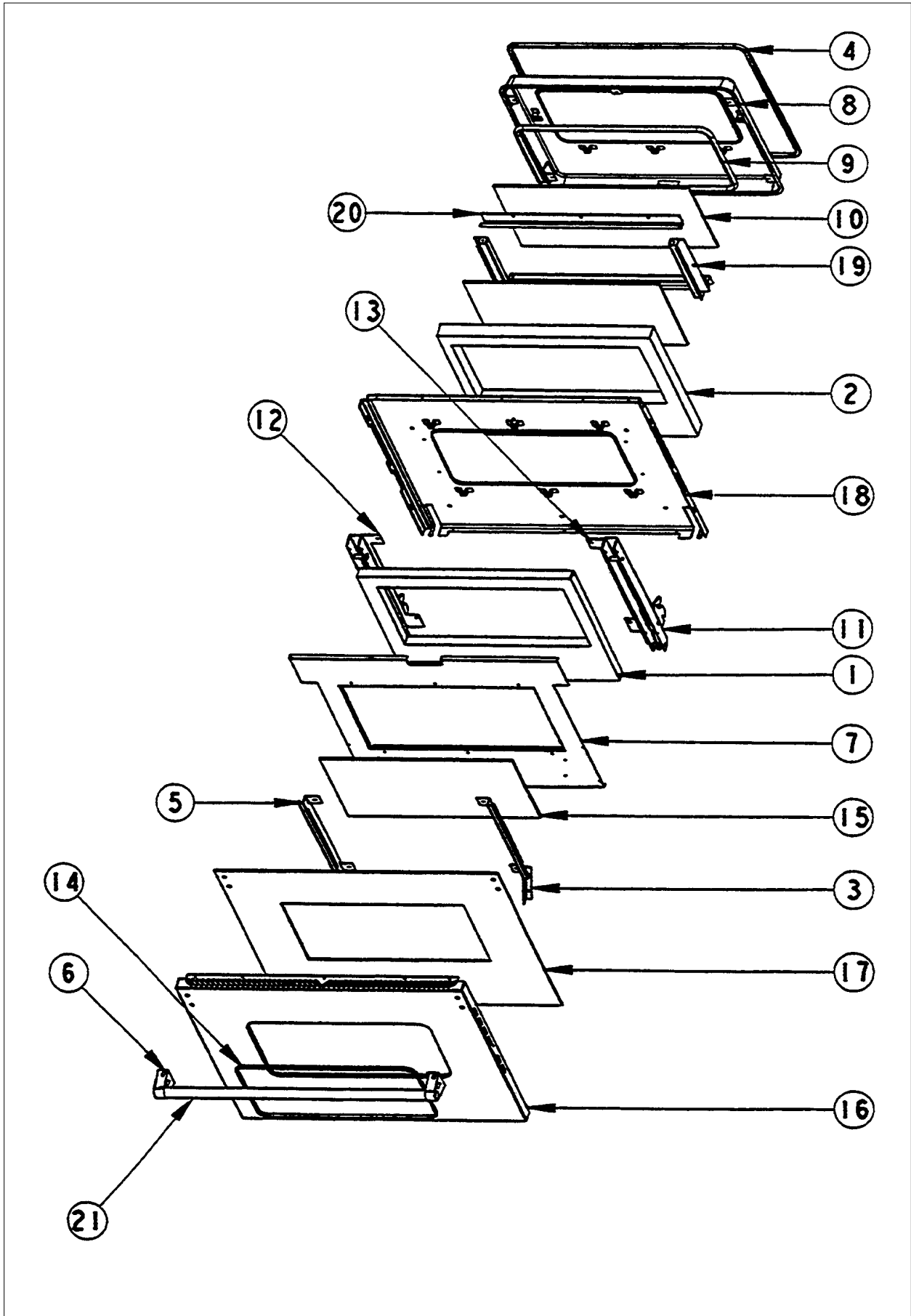
Item	Part No.	Name	Qty	Uom	NOTES
Not Shown	PB010166	TIME MANUAL KNOB *WH* (VESO/VEDO)	1	EA	
24	PB010148	SELECTOR KNOB-*BK* (30"DOUBLE OVEN	1	EA	
Not Shown	PB010149	SELECTOR KNOB-*WH* (30" B-IN OVEN)	1	EA	
25	PB010150	T/STAT KNOB-*BK* (30" B-IN OVEN)	1	EA	
Not Shown	PB010151	T/STAT KNOB-*WH* (30" B-IN OVEN)	1	EA	
26	PB010248	CLOCK BUTTON	1	EA	
Not Shown	PB010249	PUSH BUTTON WHITE	1	EA	NO LONGER AVAILABLE, Not available online / Call for pricing and availability
27	PB010246	CLOCK KNOB	1	EA	
Not Shown	PB010247	KNOB WHITE	1	EA	NO LONGER AVAILABLE
28	PE050024	OVEN IND. LIGHT (LIGHT HOUSING)	1	EA	
<p>Comments for Part Num. PE050024</p> <p>haarnink@vikingrange.com on Jan 14, 2019</p> <p>please note that the indicator light is now part 043135-000 but needs the Jumper harness 051443-000. and second option there are units in the field with a 230V indicator light part number 036566-000.</p> <p>please check this for all "E" module ranges/Tops</p>					
29	PE050023	OVEN IND. LIGHT (LENS & BEZEL)	1	EA	
30	PE040209	LOWER CONTROL PANEL EXTRUSION	1	EA	
31	PE040069	SIDE TRIM-EXTRUDED (VEDO205)	1	EA	NO LONGER AVAILABLE

UPPER DOOR ASSY

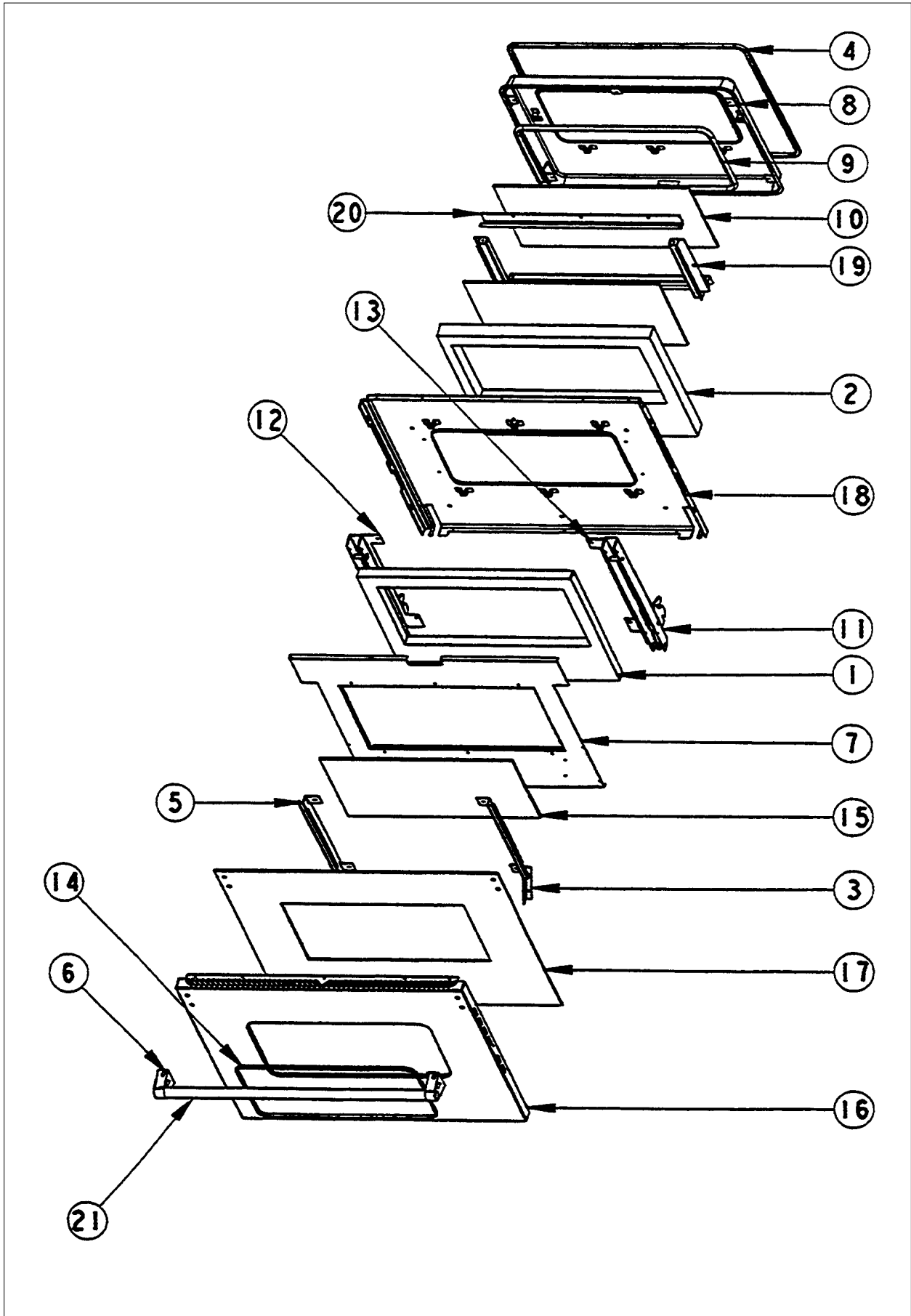




Item	Part No.	Name	Qty	Uom	NOTES
NI	G3202938AL	UPPER DOOR ASSY *AL* (VEDO)	1	EA	NO LONGER AVAILABLE, Not available online / Call for pricing and availability
Not Shown	G3202938ALBR	UPPER DOOR ASSY *AL**BR* (VEDO)	1	EA	NO LONGER AVAILABLE, Not available online / Call for pricing and availability
Not Shown	G3202938BK	UPPER DOOR ASSY *BK* (VEDO)	1	EA	NO LONGER AVAILABLE, Not available online / Call for pricing and availability
Not Shown	G3202938BKBR	UPPER DOOR ASSY *BK*BR* (VEDO)	1	EA	NO LONGER AVAILABLE, Not available online / Call for pricing and availability
Not Shown	G3202938BT	UPPER DOOR ASSY *BT* (VEDO)	1	EA	NO LONGER AVAILABLE
Not Shown	G3202938BTBR	UPPER DOOR ASSY *BT**BR* (VEDO)	1	EA	NO LONGER AVAILABLE, Not available online / Call for pricing and availability
Not Shown	G3202938BU	UPPER DOOR ASSY *BU* (VEDO)	1	EA	NO LONGER AVAILABLE, Not available online / Call for pricing and availability
Not Shown	G3202938BUBR	UPPER DOOR ASSY *BU**BR* (VEDO)	1	EA	NO LONGER AVAILABLE, Not available online / Call for pricing and availability
Not Shown	G3202938CB	UPPER DOOR ASSY *CB* (VEDO)	1	EA	NO LONGER AVAILABLE, Not available online / Call for pricing and availability
Not Shown	G3202938CBBR	UPPER DOOR ASSY *CB**BR* (VEDO)	1	EA	NO LONGER AVAILABLE, Not available online / Call for pricing and availability
Not Shown	G3202938EP	UPPER DOOR ASSY *EP* (VEDO)	1	EA	NO LONGER AVAILABLE, Not available online / Call for pricing and availability

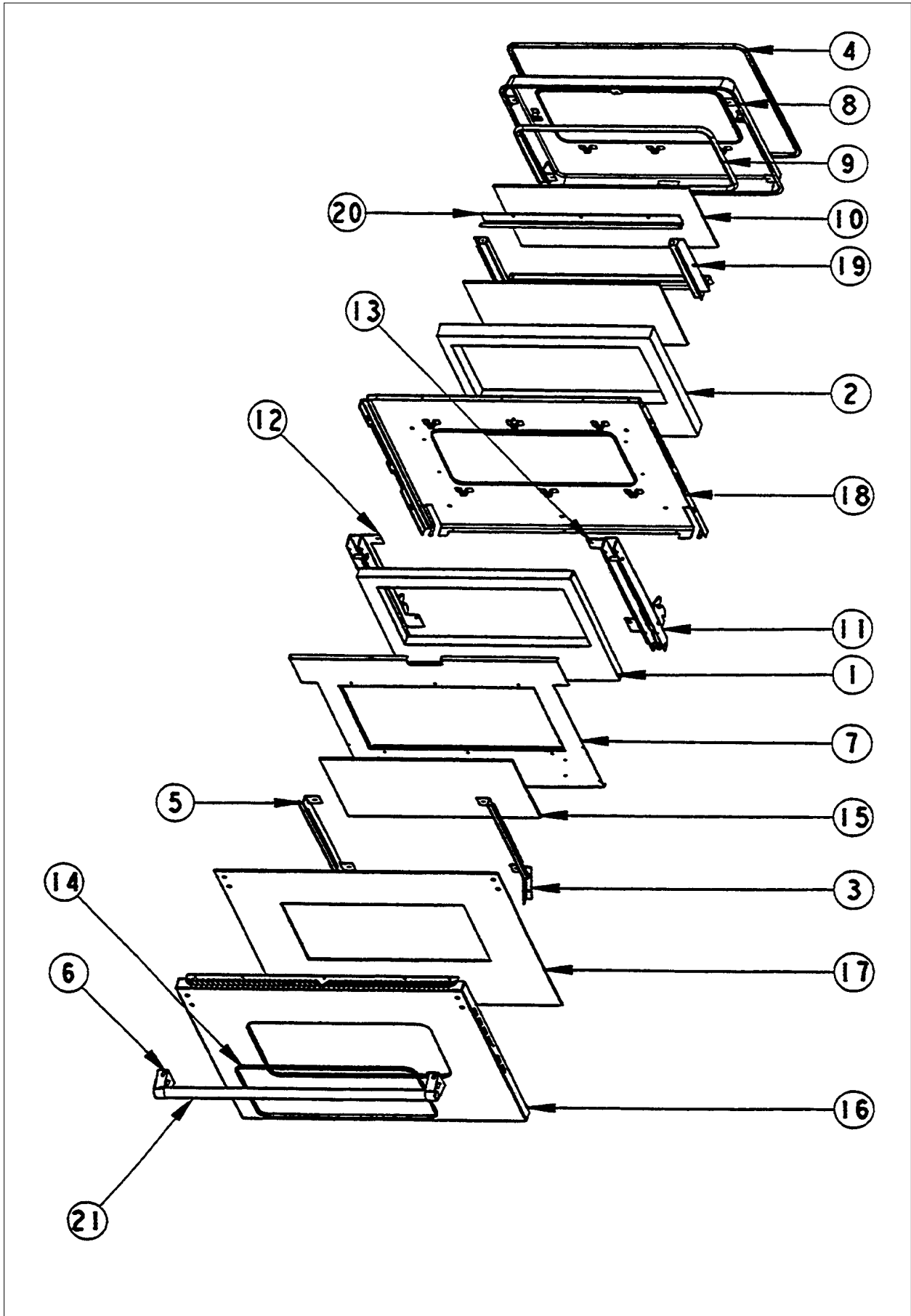


Item	Part No.	Name	Qty	Uom	NOTES
Not Shown	G3202938EPBR	UPPER DOOR ASSY *EP**BR* (VEDO)	1	EA	NO LONGER AVAILABLE, Not available online / Call for pricing and availability
Not Shown	G3202938FG	UPPER DOOR ASSY *FG* (VEDO)	1	EA	NO LONGER AVAILABLE, Not available online / Call for pricing and availability
Not Shown	G3202938FGBR	UPPER DOOR ASSY *FG**BR* (VEDO)	1	EA	NO LONGER AVAILABLE, Not available online / Call for pricing and availability
Not Shown	G3202938GG	UPPER DOOR ASSY *GG* (VEDO)	1	EA	NO LONGER AVAILABLE, Not available online / Call for pricing and availability
Not Shown	G3202938GGBR	UPPER DOOR ASSY *GG*BR* (VEDO)	1	EA	NO LONGER AVAILABLE, Not available online / Call for pricing and availability
Not Shown	G3202938LE	UPPER DOOR ASSY *LE* (VEDO)	1	EA	NO LONGER AVAILABLE, Not available online / Call for pricing and availability
Not Shown	G3202938LEBR	UPPER DOOR ASSY *LE**BR* (VEDO)	1	EA	NO LONGER AVAILABLE, Not available online / Call for pricing and availability
Not Shown	G3202938MJ	UPPER DOOR ASSY *MJ* (VEDO)	1	EA	NO LONGER AVAILABLE, Not available online / Call for pricing and availability
Not Shown	G3202938MJBR	UPPER DOOR ASSY *MJ**BR* (VEDO)	1	EA	NO LONGER AVAILABLE, Not available online / Call for pricing and availability
Not Shown	G3202938SG	UPPER DOOR ASSY *SG* (VEDO)	1	EA	NO LONGER AVAILABLE, Not available online / Call for pricing and availability
Not Shown	G3202938SGBR	UPPER DOOR ASSY *SG**BR* (VEDO)	1	EA	NO LONGER AVAILABLE, Not available online / Call for pricing and availability



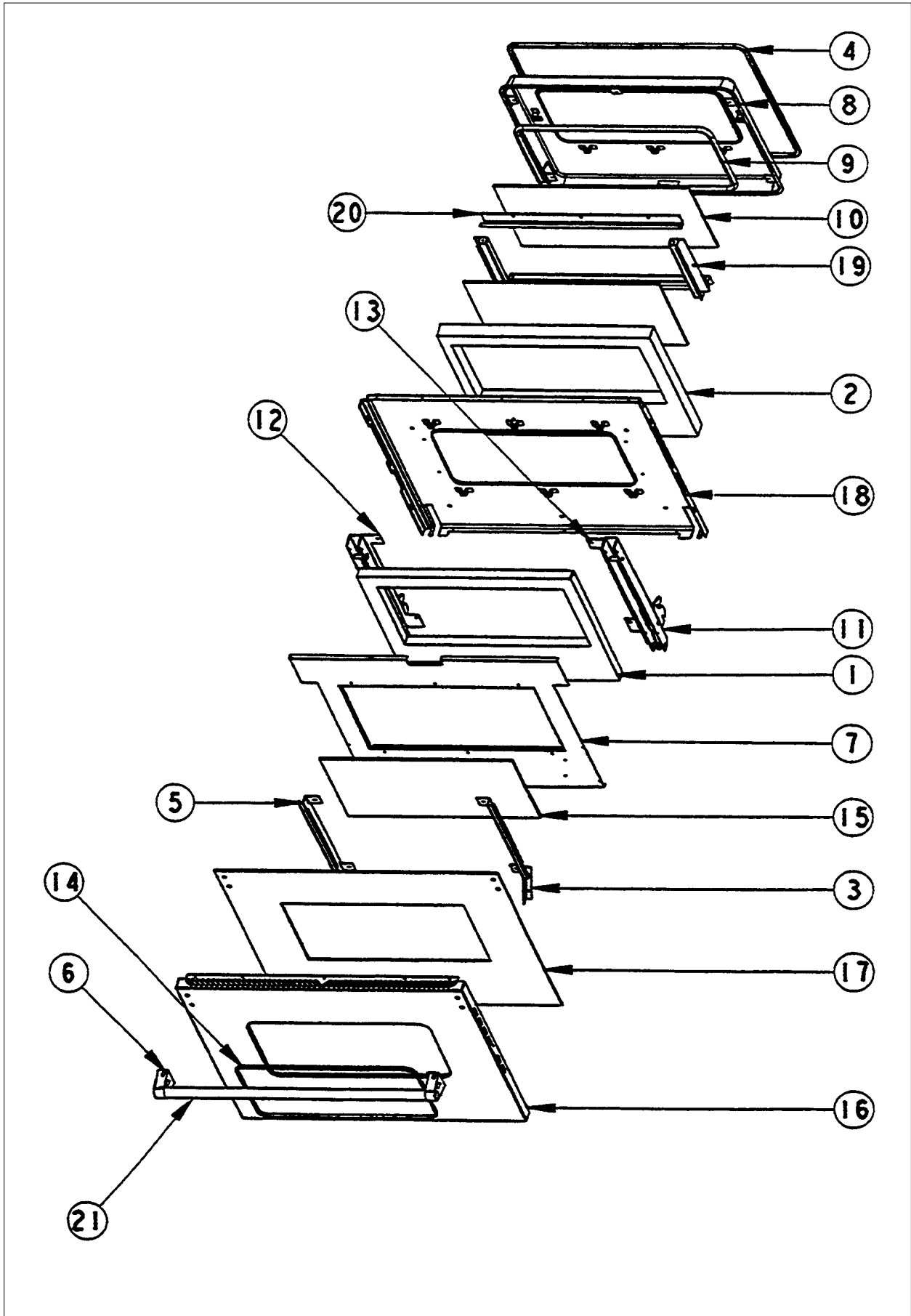


Item	Part No.	Name	Qty	Uom	NOTES
Not Shown	G3202938SS	UPPER DOOR ASSY *SS* (VEDO)	1	EA	NO LONGER AVAILABLE
Not Shown	G3202938SSBR	UPPER DOOR ASSY *SS**BR* (VEDO)	1	EA	NO LONGER AVAILABLE
Not Shown	G3202938VB	UPPER DOOR ASSY *VB* (VEDO)	1	EA	NO LONGER AVAILABLE, Not available online / Call for pricing and availability
Not Shown	G3202938VBBR	UPPER DOOR ASSY *VB**BR* (VEDO)	1	EA	NO LONGER AVAILABLE, Not available online / Call for pricing and availability
Not Shown	G3202938WH	UPPER DOOR ASSY *WH* (VEDO)	1	EA	NO LONGER AVAILABLE
Not Shown	G3202938WHBR	UPPER DOOR ASSY *WH**BR* (VEDO)	1	EA	NO LONGER AVAILABLE, Not available online / Call for pricing and availability
1	PB070034	INSULATION-TRS-10 1" X 20" X 77' ROLL	1	EA	
2	PB070038	TRS-10 2" X 24" X 3' INSULATION	1	EA	
3	A2002497	DOOR GUIDE ANGLE VDSC	1	EA	
4	000623-000	DOOR GASKET(3/8"DIA.) (VDSC)	1	EA	
5	A2002367	DOOR GLASS BRKT	1	EA	
6	000268-000	HANDLE ENDCAP	1	EA	
Not Shown	PE030001PVD	END CAP DOOR HANDLE *BR	1	EA	
7	A2002930	DOOR INSUL. RET. FORMED	1	EA	
8	G50010123	VESO105/VEDO205 DR LINER SVC-KIT	1	EA	
9	000594-000	BLACK FIBERGLASS ROPE 3/8	1	EA	
10	PE060039	GLASS-HEAT TREATED (HB2) VDSC	1	EA	
11	PC020188	DOOR HINGE	1	EA	
12	A2002960	HINGE BRACKET - LH (VEDO/VESO)	1	EA	
13	A2002962	HINGE BRACKET - RH (VEDO/VESO)	1	EA	
14	PE060031	J-MOLD (LARGE WINDOW)	1	EA	





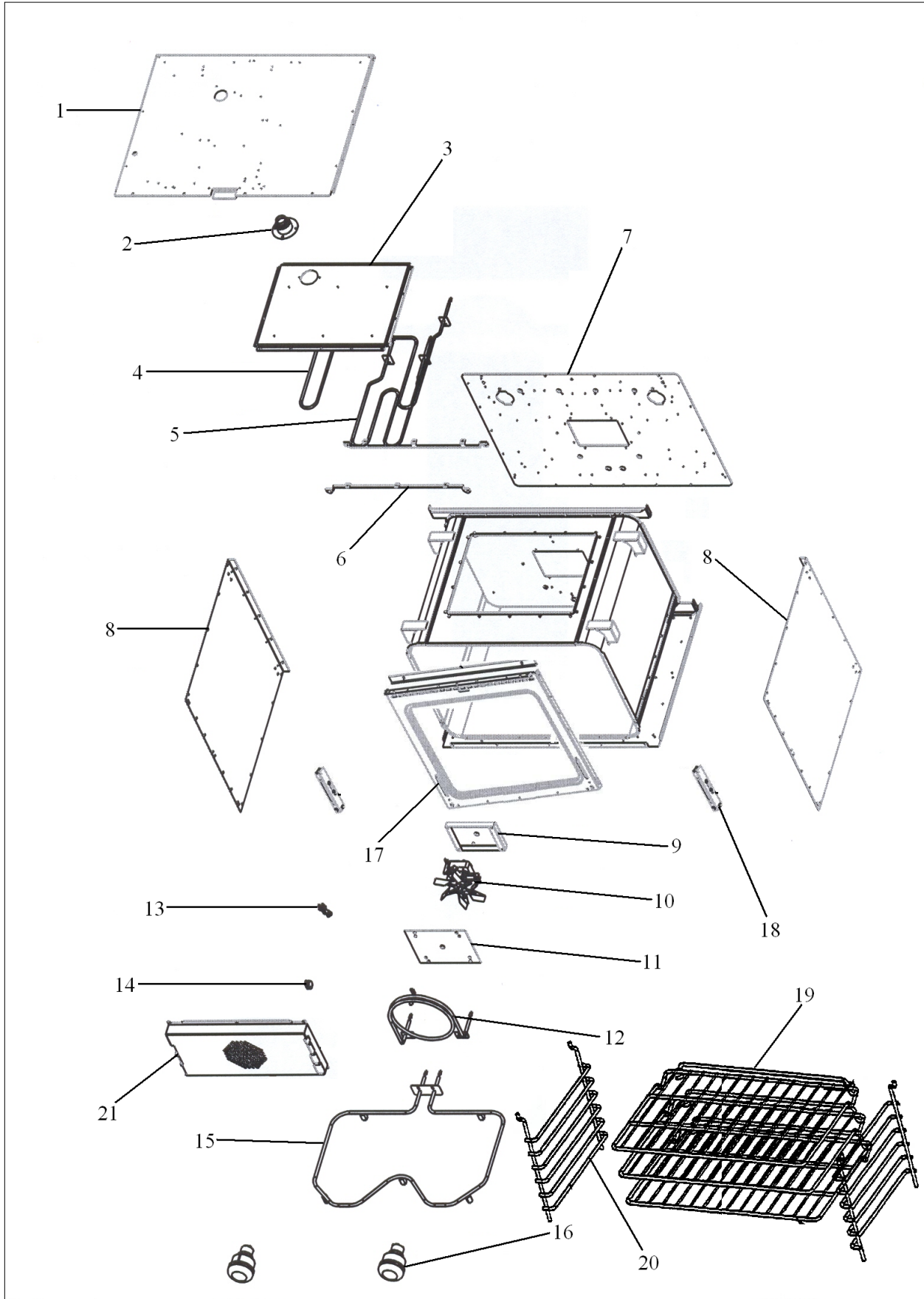
Item	Part No.	Name	Qty	Uom	NOTES
Not Shown	PE060045	J-MOLD (LARGE WINDOW) *BR*	1	EA	
15	PE060030	OUTER DOOR GLASS	1	EA	
16	B2002940	O/S DOOR PANEL *SS* (VEDO205)	1	EA	
Not Shown	C9002940AL	O/S DOOR PANEL *AL* (VEDO)	1	EA	NO LONGER AVAILABLE, Not available online / Call for pricing and availability
Not Shown	C9002940BK	O/S DOOR PANEL *BK* (VEDO)	1	EA	NO LONGER AVAILABLE
Not Shown	C9002940BT	O/S DOOR PANEL *BT* (VEDO)	1	EA	NO LONGER AVAILABLE
Not Shown	C9002940BU	O/S DOOR PANEL *BU* (VEDO)	1	EA	NO LONGER AVAILABLE
Not Shown	C9002940CB	O/S DOOR PANEL *CB* (VEDO)	1	EA	NO LONGER AVAILABLE, Not available online / Call for pricing and availability
Not Shown	C9002940EP	O/S DOOR PANEL *EP* (VEDO)	1	EA	NO LONGER AVAILABLE, Not available online / Call for pricing and availability
Not Shown	C9002940FG	O/S DOOR PANEL *FG* (VEDO)	1	EA	NO LONGER AVAILABLE, Not available online / Call for pricing and availability
Not Shown	C9002940GG	O/S DOOR PANEL *GG* (VDO)	1	EA	NO LONGER AVAILABLE, Not available online / Call for pricing and availability
Not Shown	C9002940LE	O/S DOOR PANEL *LE* (VEDO)	1	EA	NO LONGER AVAILABLE, Not available online / Call for pricing and availability
Not Shown	C9002940MJ	O/S DOOR PANEL *MJ* (VEDO)	1	EA	NO LONGER AVAILABLE
Not Shown	C9002940SG	O/S DOOR PANEL *SG* (VEDO)	1	EA	NO LONGER AVAILABLE, Not available online / Call for pricing and availability





Item	Part No.	Name	Qty	Uom	NOTES
Not Shown	C9002940VB	O/S DOOR PANEL *VB* (VEDO)	1	EA	NO LONGER AVAILABLE, Not available online / Call for pricing and availability
Not Shown	C9002940WH	O/S DOOR PANEL *WH* (VEDO)	1	EA	NO LONGER AVAILABLE, Not available online / Call for pricing and availability
17	J1002939	OVEN DR HEAT SINK (VESO/DO)	1	EA	
18	G50010123	VESO105/VEDO205 DR LINER SVC-KIT	1	EA	
19	E9102179	WINDOW LINER-SIDE (VDSC)	1	EA	
20	E9102178	WINDOW LINER-TOP/BTM (VDSC)	1	EA	
21	PE030036	DOOR HANDLE *SS* (VESO/VEDO) 26.935	1	EA	
Not Shown	F0002944BR	DOOR HANDLE-VEDO/VESO (CUT-TO-SIZE)	1	EA	NO LONGER AVAILABLE
NI	B1009167	HINGE CLIP	1	EA	

UPPER OVEN ASSY





Item	Part No.	Name	Qty	Uom	NOTES
1	A2002923	OVEN TOP INSUL. RET.		EA	NO LONGER AVAILABLE, Not available online / Call for pricing and availability
2	PM010014	SMOKE ELIMINATOR (VDSC)		EA	
3	B2002167	BROILER TOP (VDSC)		EA	NO LONGER AVAILABLE
4	PJ010002	BROIL ELEMENT(MAXI)-SIDE (VDSC)240V		EA	
5	PJ010001	BROIL ELEMENT 240V		EA	
6	B2002185	BROIL ELEMENT BRKT (VDSC)		EA	
7	A1002905	BACK INSULATION RETAINER - VESO/VEDO		EA	NO LONGER AVAILABLE, Not available online / Call for pricing and availability
8	A2002904	SIDE INSULATION RETAINER		EA	NO LONGER AVAILABLE, Not available online / Call for pricing and availability
9	A2002595	CONVECTION FAN BOX (VDSC)		EA	
10	PE050005	CONVECTION FAN ASSY		EA	
11	A1002596	CONVECTION FAN COVER (VDSC)		EA	
12	PJ010003	CONVECTION ELEMENT (VDSC) 240V		EA	
13	N/A	Meat Probe Jack		EA	
14	N/A	Meat Probe Jack Cover		EA	
15	PJ010004	BAKE ELEMENT (VDSC) 240V		EA	
16	031449-000	LAMP, ASM		EA	
17	H9107881	30" UPPER FRONT FRAME		EA	Not available online / Call for pricing and availability
18	PC020016	HINGE RECEIVER (VEDO/VEDO)		EA	
19	PB060044	OVEN RK VDSC30/48RH REPL PB060019		EA	
20	PB060030	RACK SUPT REPL PB060010		EA	
21	E9102170	CONVECTION FAN COVER		EA	
NI	PJ030006	SWITCH (COOLING FAN)		EA	



Appendix A:Pages Index

FLOW CHART NEW BOARD BAKE 1
FLOW CHART NEW BOARD DOOR LOCK 2
FLOW CHART SELF CLEAN 3
LOWER DOOR ASSY 4
LOWER OVEN ASSY 5
REAR ASSEMBLY 6
TOP ASSY 7
UPPER DOOR ASSY 8
UPPER OVEN ASSY 9



Appendix B:Parts Index

000268-000	4, 8	B2002167	5, 9
000594-000	4, 8	B2002185	9
000623-000	4, 8	B2002931	4
031449-000	5, 9	B2002940	8
A1002596	5, 9	B92010565	7
A1002905	9	B92014942	7
A1006103	5	C9002931AL	4
A1006178	6	C9002931BK	4
A1006179	6	C9002931BT	4
A2002367	4, 8	C9002931BU	4
A2002497	4, 8	C9002931CB	4
A2002595	5, 9	C9002931EP	4
A2002904	5, 9	C9002931FG	4
A2002923	9	C9002931GG	4
A2002930	4, 8	C9002931LE	4
A2002960	4, 8	C9002931LN	4
A2002962	4, 8	C9002931MJ	4
A2006048	6	C9002931PL	4
A2006088	5	C9002931SG	4
A2006090	5	C9002931VB	4
A2006109	7	C9002931WH	4
A2006123	7	C9002940AL	8
A2006180	6	C9002940BK	8
A2006181	6	C9002940BT	8
A2006182	6	C9002940BU	8
A2006199	6	C9002940CB	8
A2006321	6	C9002940EP	8
A2006322	6	C9002940FG	8
A2006323	6	C9002940GG	8
A2006324	6	C9002940LE	8
A2007906	7	C9002940MJ	8
A2008526	7	C9002940SG	8
A2008527	7	C9002940VB	8
A2008543	7	C9002940WH	8
A2008557	7	C92010565BK	7
A2008580	7	C92010565WH	7
A2008581	6	C92014942BK	7
A2008582	5, 6	C92014942WH	7
A2009884	7	E9102170	5, 9
B1009167	4, 8	E9102178	4, 8
		E9102179	4, 8



F0002944BR	4, 8	G3202938CB	8
G3202937AL	4	G3202938CBBR	8
G3202937ALBR	4	G3202938EP	8
G3202937BK	4	G3202938EPBR	8
G3202937BKBR	4	G3202938FG	8
G3202937BT	4	G3202938FGBR	8
G3202937BTBR	4	G3202938GG	8
G3202937BU	4	G3202938GGBR	8
G3202937BUBR	4	G3202938LE	8
G3202937CB	4	G3202938LEBR	8
G3202937CBBR	4	G3202938MJ	8
G3202937EP	4	G3202938MJBR	8
G3202937EPBR	4	G3202938SG	8
G3202937FG	4	G3202938SGBR	8
G3202937FGBR	4	G3202938SS	8
G3202937GG	4	G3202938SSBR	8
G3202937GGBR	4	G3202938VB	8
G3202937LE	4	G3202938VBBR	8
G3202937LEBR	4	G3202938WH	8
G3202937LN	4	G3202938WHBR	8
G3202937LNBR	4	G50010123	4, 4, 8, 8
G3202937MJ	4	H9107881	9
G3202937MJBR	4	H9107882	5
G3202937PL	4	J1002939	4, 8
G3202937PLBR	4	PB010148	7
G3202937SG	4	PB010149	7
G3202937SGBR	4	PB010150	7
G3202937SS	4	PB010151	7
G3202937SSBR	4	PB010152	7
G3202937VB	4	PB010153	7
G3202937VBBR	4	PB010165	7
G3202937WH	4	PB010166	7
G3202937WHBR	4	PB010246	7
G3202938AL	8	PB010247	7
G3202938ALBR	8	PB010248	7
G3202938BK	8	PB010249	7
G3202938BKBR	8	PB020117	5
G3202938BT	8	PB060030	5, 9
G3202938BTBR	8	PB060044	5, 9
G3202938BU	8	PB070034	4, 8
G3202938BUBR	8	PB070038	4, 8



PC020016 5, 9
PC020188 4, 8
PE010016 4
PE010017 4
PE010079 4
PE010080 4
PE030001PVD 4, 8
PE030036 4, 8
PE040069 7
PE040074 5
PE040209 7
PE050005 5, 9
PE050019 7
PE050023 7
PE050024 7
PE050049 7
PE050059 7
PE050087 5, 7
PE050112 5, 7
PE050213 7
PE060030 4, 8
PE060031 4, 8
PE060039 4, 8
PE060045 4, 8
PE070147 7
PE070786 7
PJ010001 5, 9
PJ010002 5, 9
PJ010003 5, 9
PJ010004 5, 9
PJ030001 7
PJ030002 7
PJ030006 5, 9
PJ030010 7
PJ030022 5
PJ030030 7
PM010014 5, 9
PS500033 7