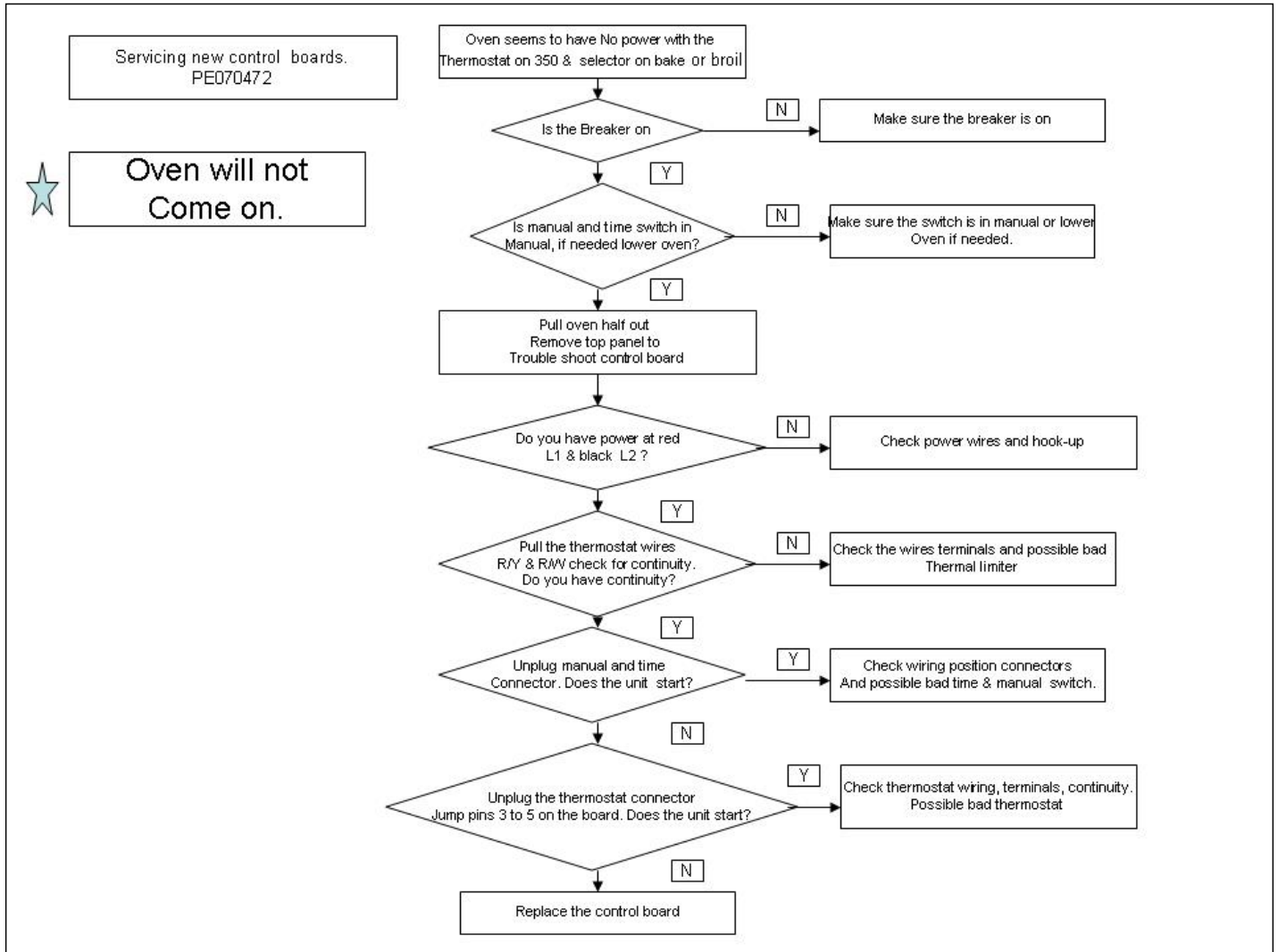


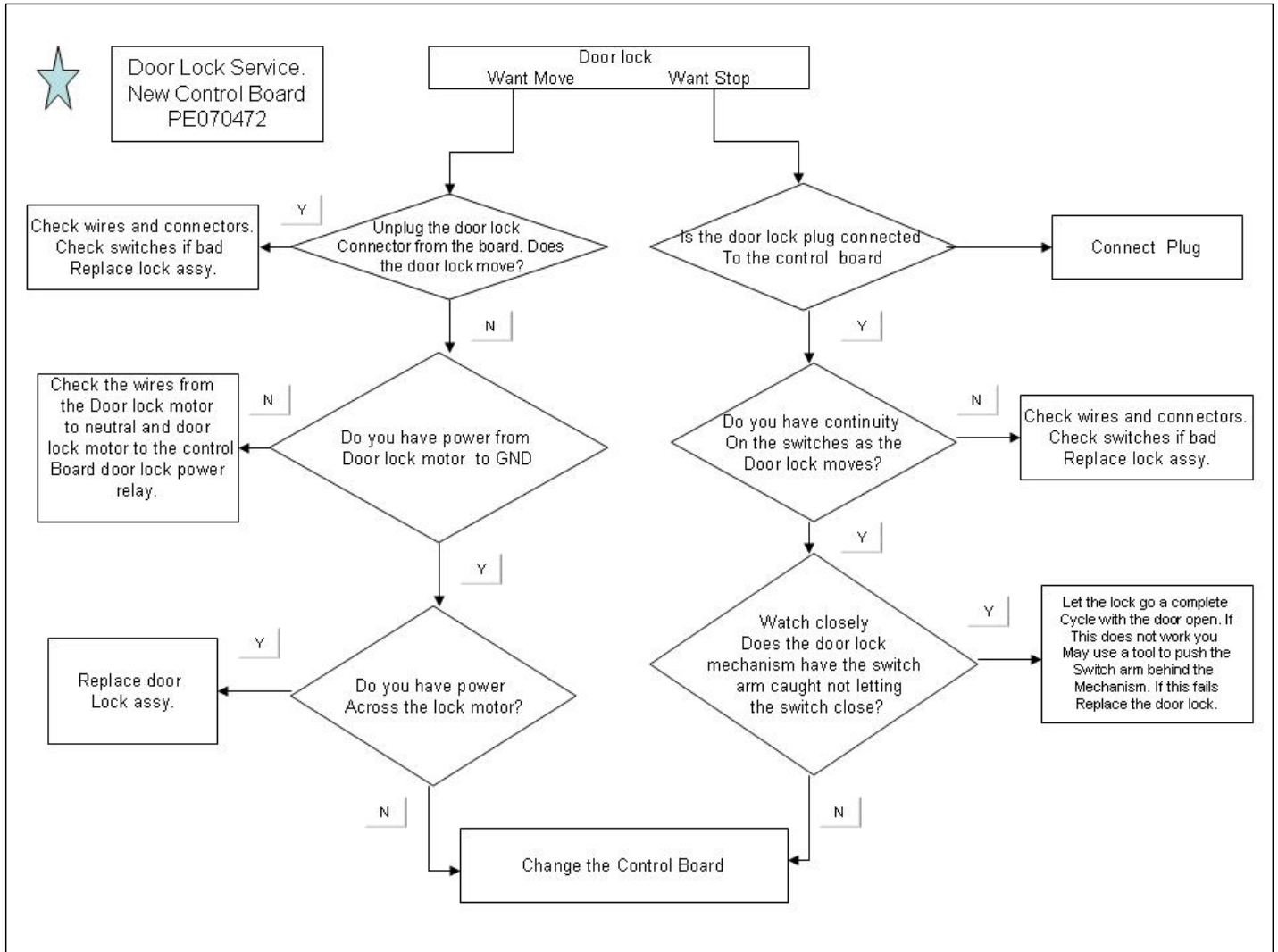
VEDO207

FLOW CHART NEW BOARD BAKE	1
FLOW CHART NEW BOARD DOOR LOCK	2
FLOW CHART SELF CLEAN	3
LOWER DOOR ASSY	4
LOWER OVEN ASSY	5
REAR ASSEMBLY	6
TOP ASSY	7
TOP ASSY (10-24-04 TO 12-1-04)	8
UPPER DOOR ASSY	9
UPPER OVEN ASSY	10
Appendix A:Pages Index	A
Appendix B:Parts Index	B

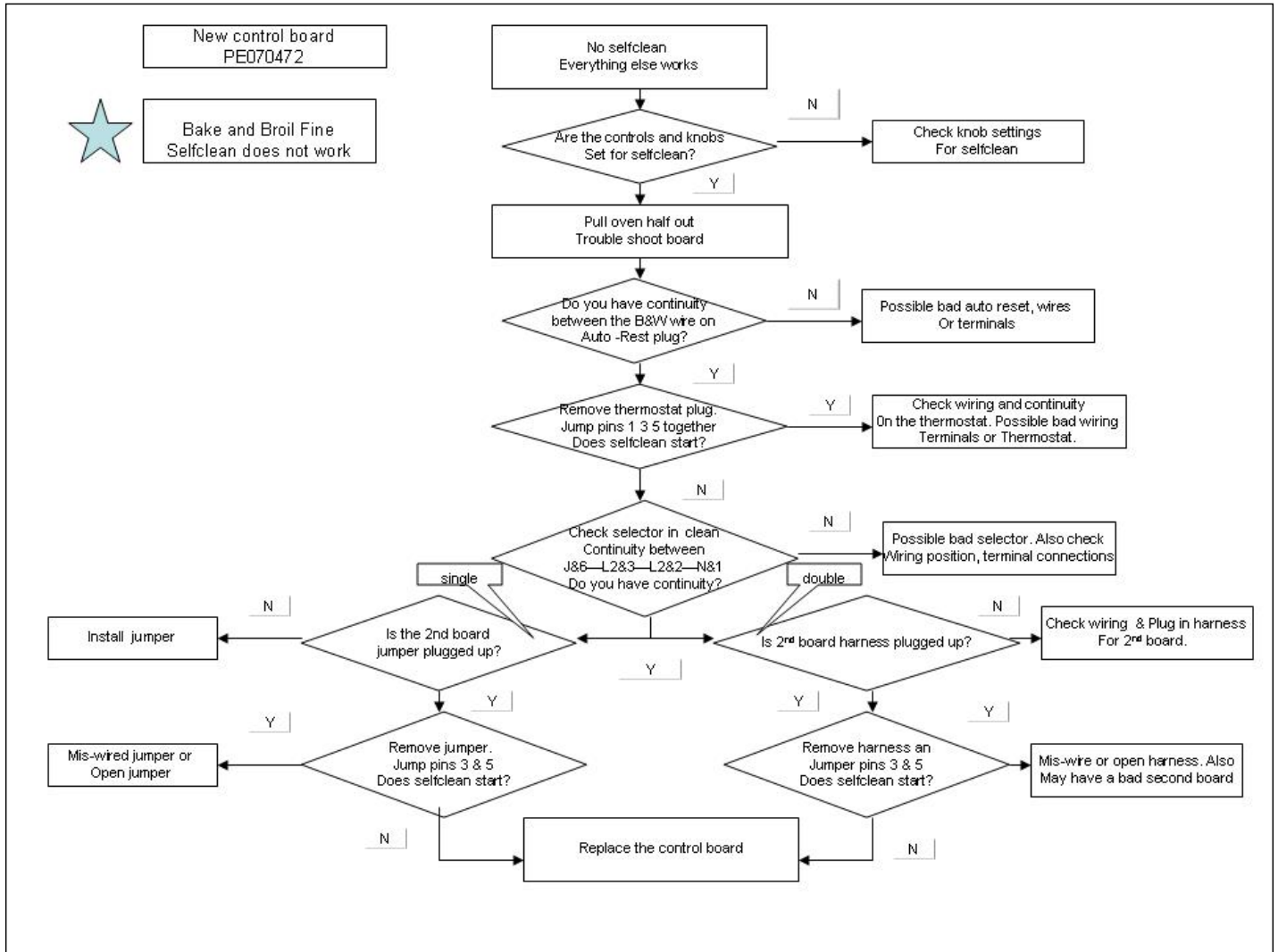
FLOW CHART NEW BOARD BAKE



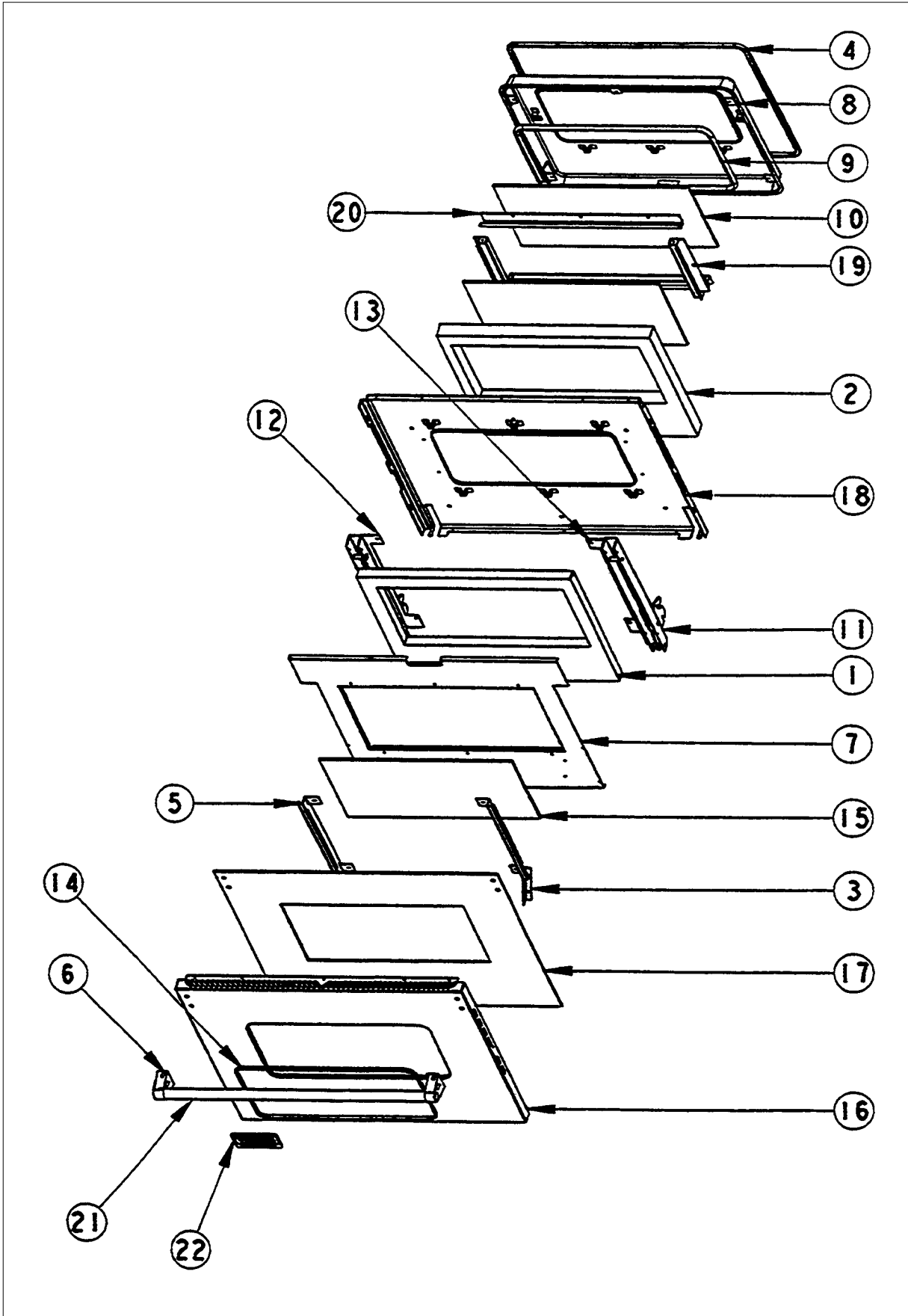
FLOW CHART NEW BOARD DOOR LOCK



FLOW CHART SELF CLEAN

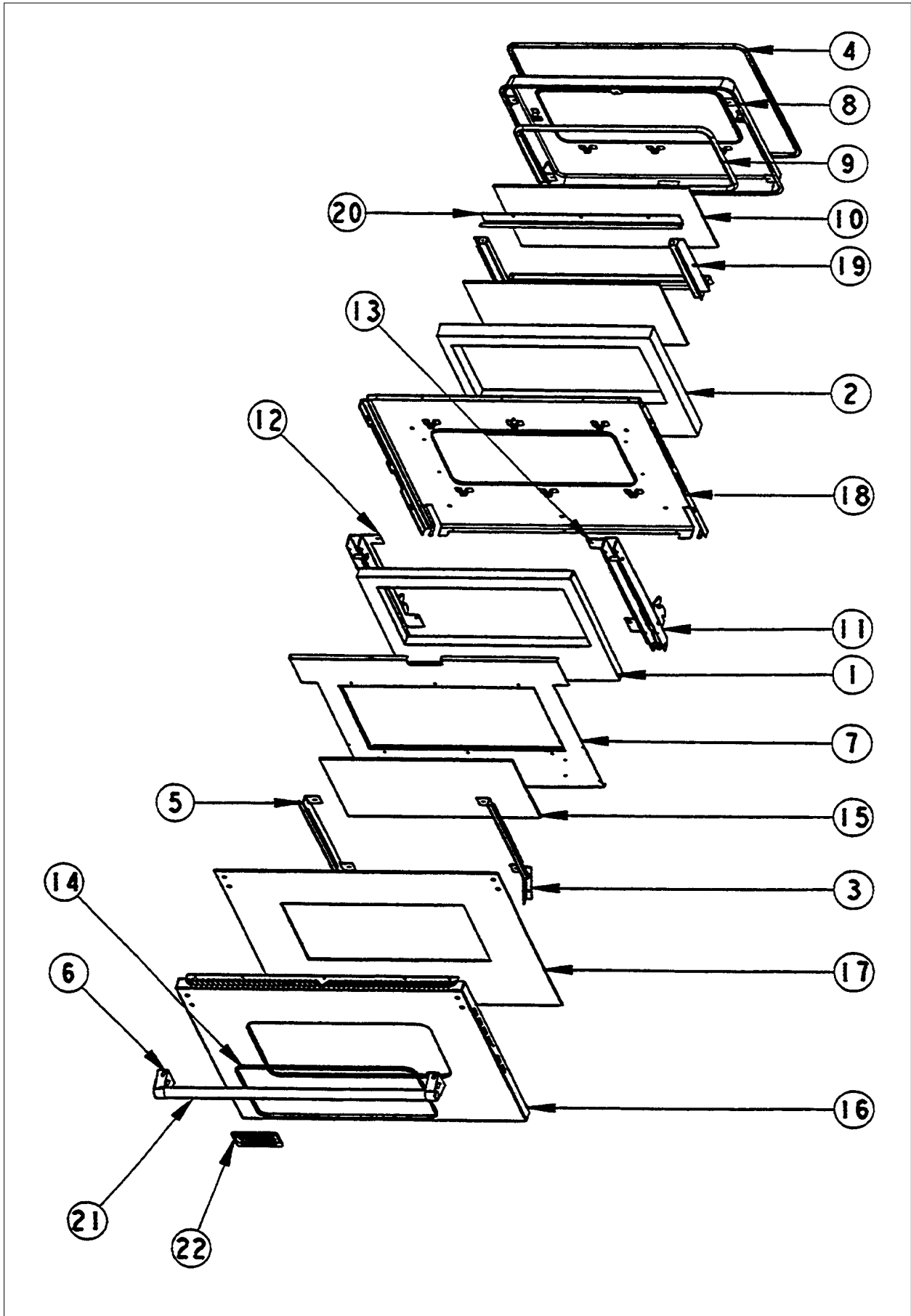


LOWER DOOR ASSY

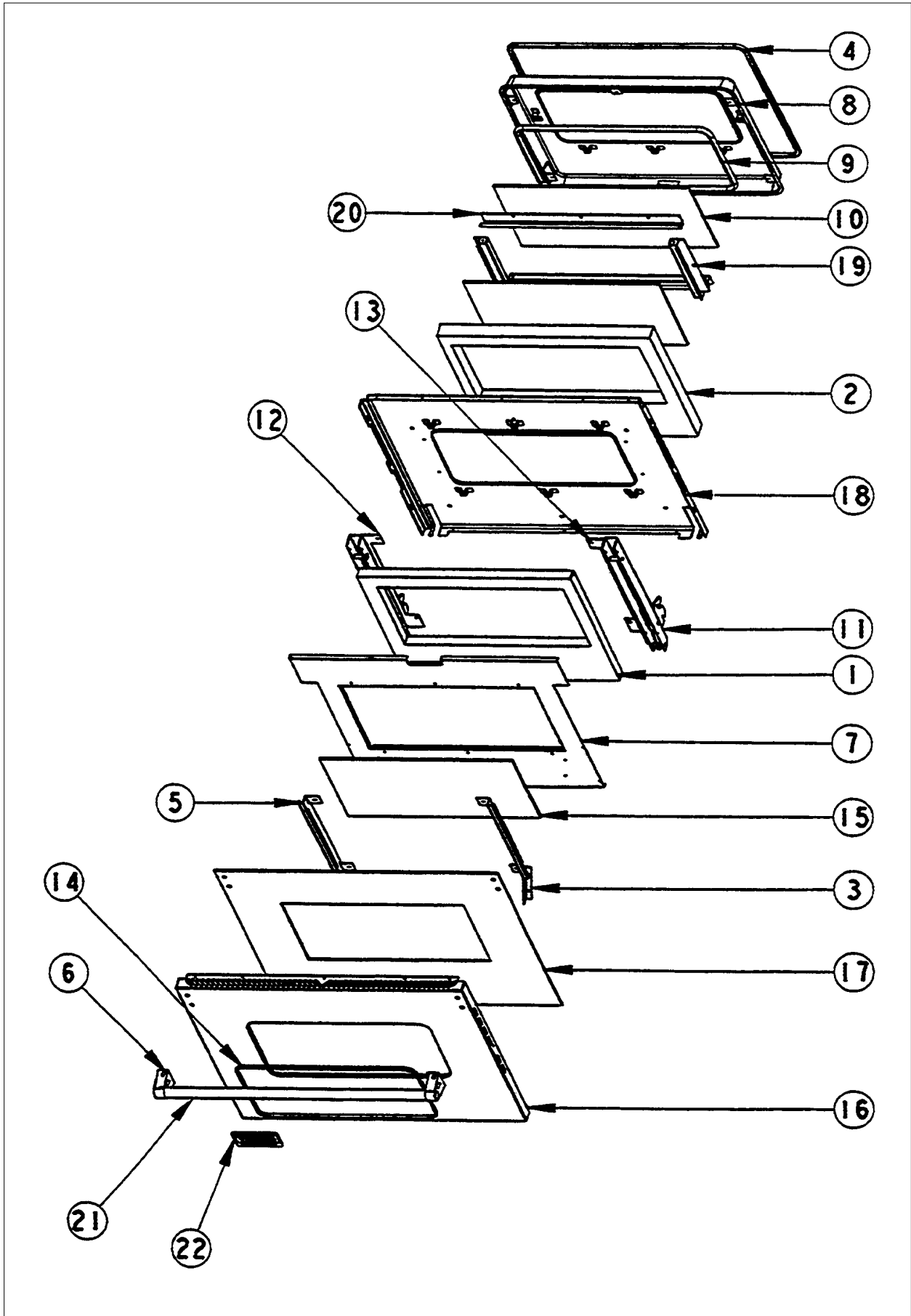




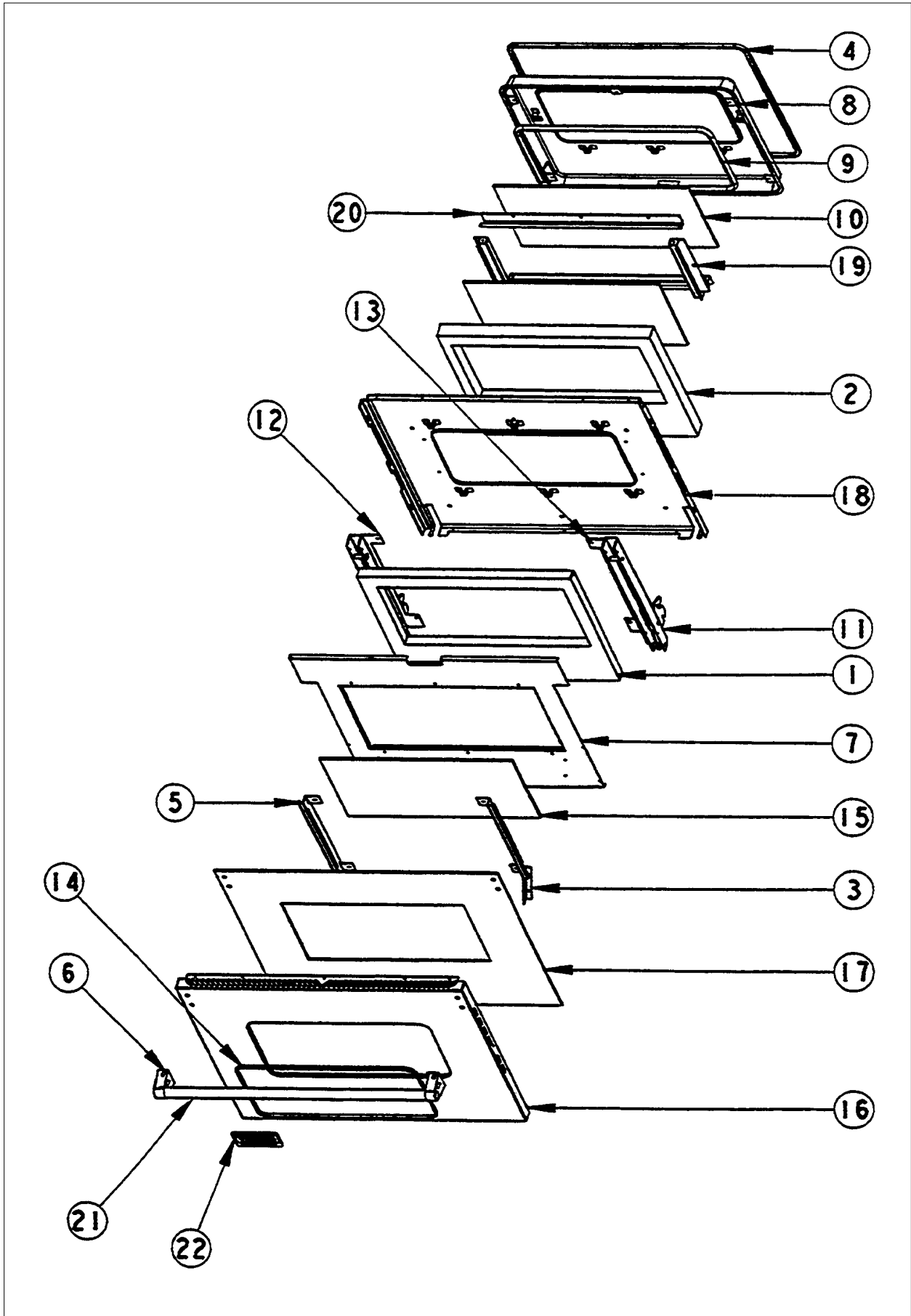
Item	Part No.	Name	Qty	Uom	NOTES
NI	G3202938AL	UPPER DOOR ASSY *AL* (VEDO)	1	EA	NO LONGER AVAILABLE, Not available online / Call for pricing and availability
Not Shown	G3202938ALBR	UPPER DOOR ASSY *AL**BR* (VEDO)	1	EA	NO LONGER AVAILABLE, Not available online / Call for pricing and availability
Not Shown	G3202938BK	UPPER DOOR ASSY *BK* (VEDO)	1	EA	NO LONGER AVAILABLE, Not available online / Call for pricing and availability
Not Shown	G3202938BKBR	UPPER DOOR ASSY *BK*BR* (VEDO)	1	EA	NO LONGER AVAILABLE, Not available online / Call for pricing and availability
Not Shown	G3202938BT	UPPER DOOR ASSY *BT* (VEDO)	1	EA	NO LONGER AVAILABLE
Not Shown	G3202938BTBR	UPPER DOOR ASSY *BT**BR* (VEDO)	1	EA	NO LONGER AVAILABLE, Not available online / Call for pricing and availability
Not Shown	G3202938BU	UPPER DOOR ASSY *BU* (VEDO)	1	EA	NO LONGER AVAILABLE, Not available online / Call for pricing and availability
Not Shown	G3202938BUBR	UPPER DOOR ASSY *BU**BR* (VEDO)	1	EA	NO LONGER AVAILABLE, Not available online / Call for pricing and availability
Not Shown	G3202938CB	UPPER DOOR ASSY *CB* (VEDO)	1	EA	NO LONGER AVAILABLE, Not available online / Call for pricing and availability
Not Shown	G3202938CBBR	UPPER DOOR ASSY *CB**BR* (VEDO)	1	EA	NO LONGER AVAILABLE, Not available online / Call for pricing and availability
Not Shown	G3202938EP	UPPER DOOR ASSY *EP* (VEDO)	1	EA	NO LONGER AVAILABLE, Not available online / Call for pricing and availability



Item	Part No.	Name	Qty	Uom	NOTES
Not Shown	G3202938EPBR	UPPER DOOR ASSY *EP**BR* (VEDO)	1	EA	NO LONGER AVAILABLE, Not available online / Call for pricing and availability
Not Shown	G3202938FG	UPPER DOOR ASSY *FG* (VEDO)	1	EA	NO LONGER AVAILABLE, Not available online / Call for pricing and availability
Not Shown	G3202938FGBR	UPPER DOOR ASSY *FG**BR* (VEDO)	1	EA	NO LONGER AVAILABLE, Not available online / Call for pricing and availability
Not Shown	G3202938GG	UPPER DOOR ASSY *GG* (VEDO)	1	EA	NO LONGER AVAILABLE, Not available online / Call for pricing and availability
Not Shown	G3202938GGBR	UPPER DOOR ASSY *GG*BR* (VEDO)	1	EA	NO LONGER AVAILABLE, Not available online / Call for pricing and availability
Not Shown	G3202938LE	UPPER DOOR ASSY *LE* (VEDO)	1	EA	NO LONGER AVAILABLE, Not available online / Call for pricing and availability
Not Shown	G3202938LEBR	UPPER DOOR ASSY *LE**BR* (VEDO)	1	EA	NO LONGER AVAILABLE, Not available online / Call for pricing and availability
Not Shown	G3202938LN	UPPER DOOR ASSY *LN* (VEDO)	1	EA	NO LONGER AVAILABLE, Not available online / Call for pricing and availability
Not Shown	G3202938LNBR	UPPER DOOR ASSY *LN*BR* (VEDO)	1	EA	NO LONGER AVAILABLE, Not available online / Call for pricing and availability
Not Shown	G3202938MJ	UPPER DOOR ASSY *MJ* (VEDO)	1	EA	NO LONGER AVAILABLE, Not available online / Call for pricing and availability
Not Shown	G3202938MJBR	UPPER DOOR ASSY *MJ**BR* (VEDO)	1	EA	NO LONGER AVAILABLE, Not available online / Call for pricing and availability

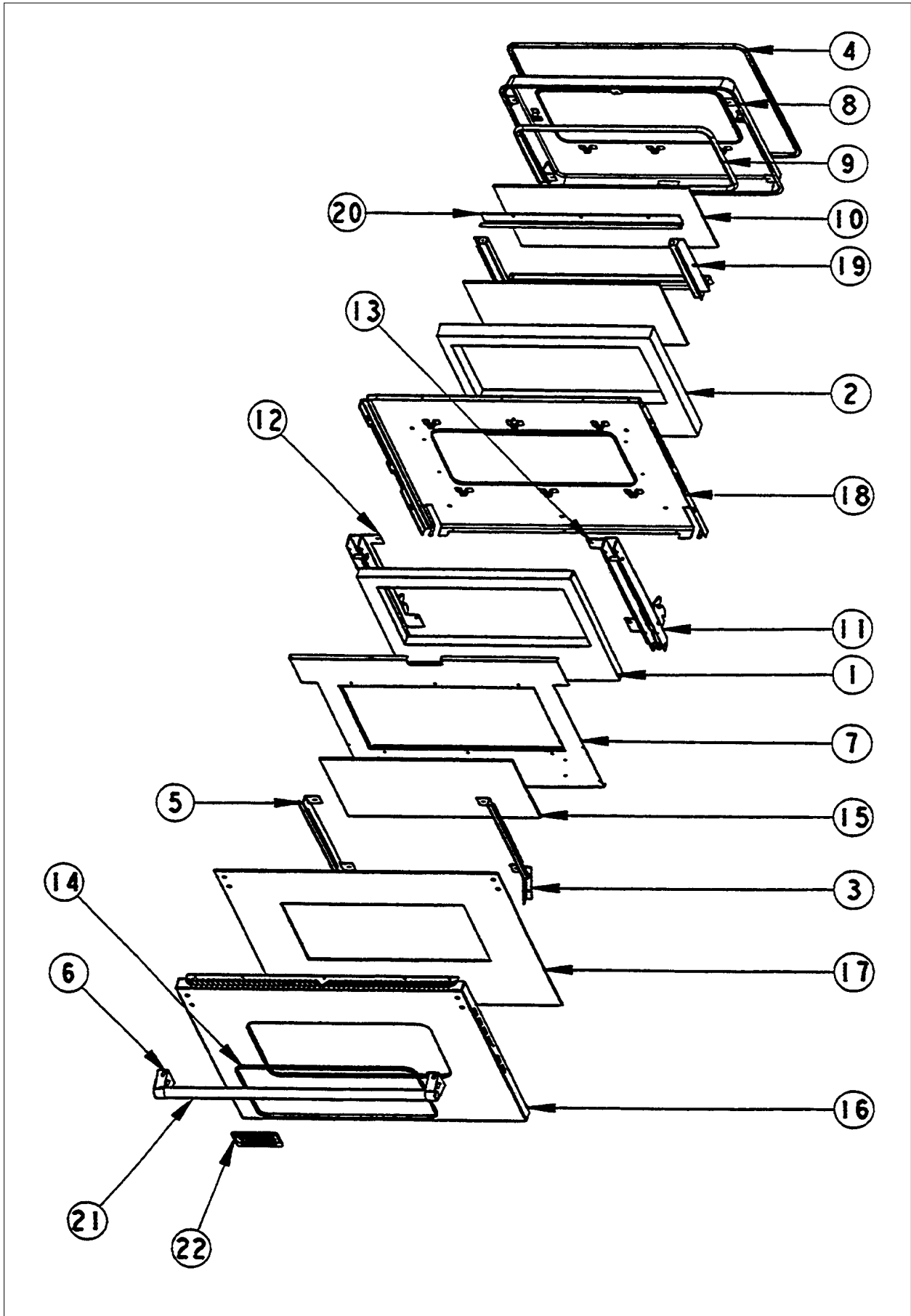


Item	Part No.	Name	Qty	Uom	NOTES
Not Shown	G3202938PL	UPPER DOOR ASSY *PL* (VEDO)	1	EA	NO LONGER AVAILABLE, Not available online / Call for pricing and availability
Not Shown	G3202938PLBR	UPPER DOOR ASSY *PL**BR* (VEDO)	1	EA	NO LONGER AVAILABLE, Not available online / Call for pricing and availability
Not Shown	G3202938SG	UPPER DOOR ASSY *SG* (VEDO)	1	EA	NO LONGER AVAILABLE, Not available online / Call for pricing and availability
Not Shown	G3202938SGBR	UPPER DOOR ASSY *SG**BR* (VEDO)	1	EA	NO LONGER AVAILABLE, Not available online / Call for pricing and availability
Not Shown	G3202938SS	UPPER DOOR ASSY *SS* (VEDO)	1	EA	NO LONGER AVAILABLE
Not Shown	G3202938SSBR	UPPER DOOR ASSY *SS**BR* (VEDO)	1	EA	NO LONGER AVAILABLE
Not Shown	G3202938VB	UPPER DOOR ASSY *VB* (VEDO)	1	EA	NO LONGER AVAILABLE, Not available online / Call for pricing and availability
Not Shown	G3202938VBBR	UPPER DOOR ASSY *VB**BR* (VEDO)	1	EA	NO LONGER AVAILABLE, Not available online / Call for pricing and availability
Not Shown	G3202938WH	UPPER DOOR ASSY *WH* (VEDO)	1	EA	NO LONGER AVAILABLE
Not Shown	G3202938WHBR	UPPER DOOR ASSY *WH**BR* (VEDO)	1	EA	NO LONGER AVAILABLE, Not available online / Call for pricing and availability
Not Shown	G3202937AL	DOOR ASSY *AL* (VESO/VEDO)	1	EA	NO LONGER AVAILABLE, Not available online / Call for pricing and availability
Not Shown	G3202937ALBR	DOOR ASSY *AL**BR* (VESO/VEDO)	1	EA	NO LONGER AVAILABLE, Not available online / Call for pricing and availability

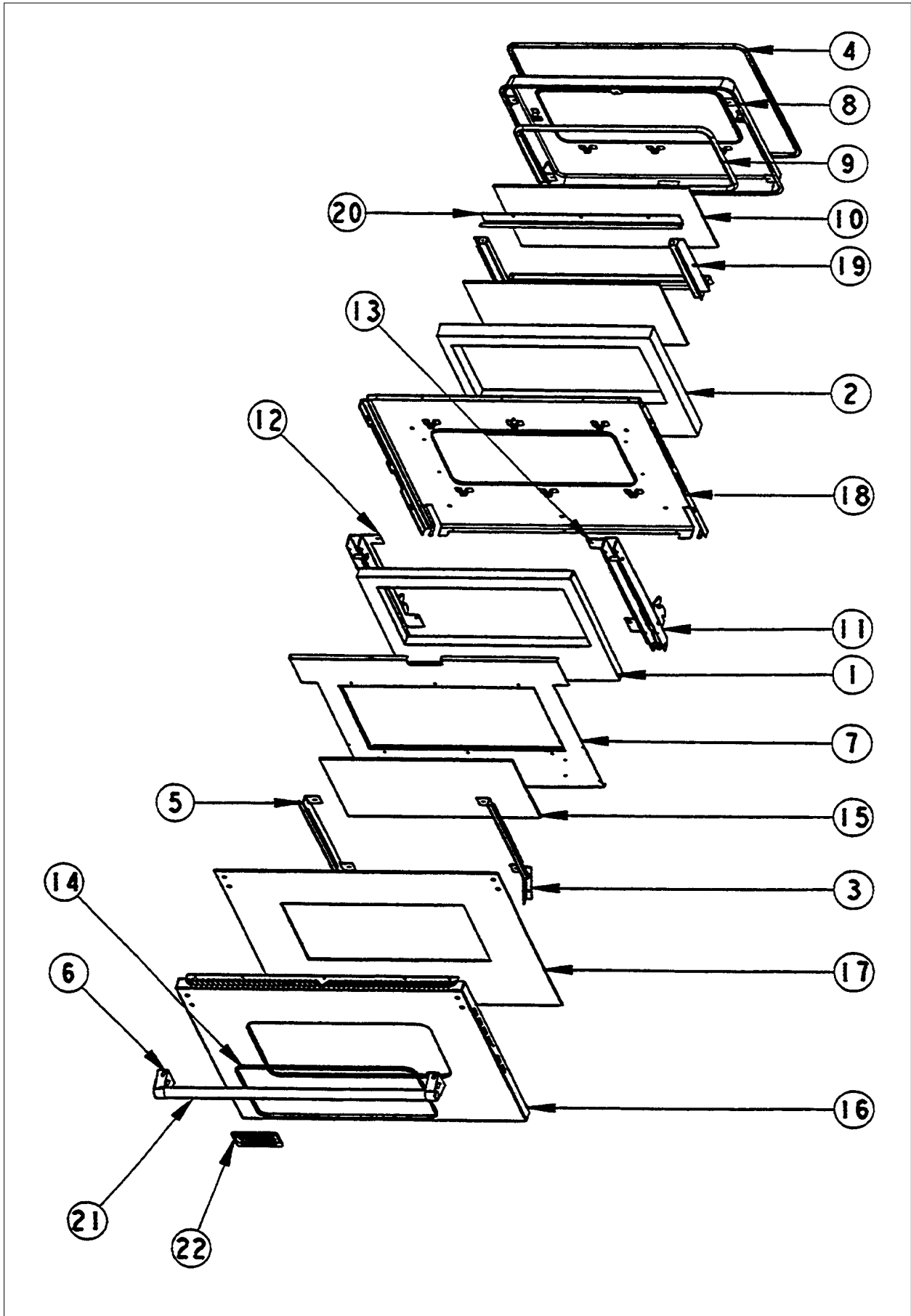




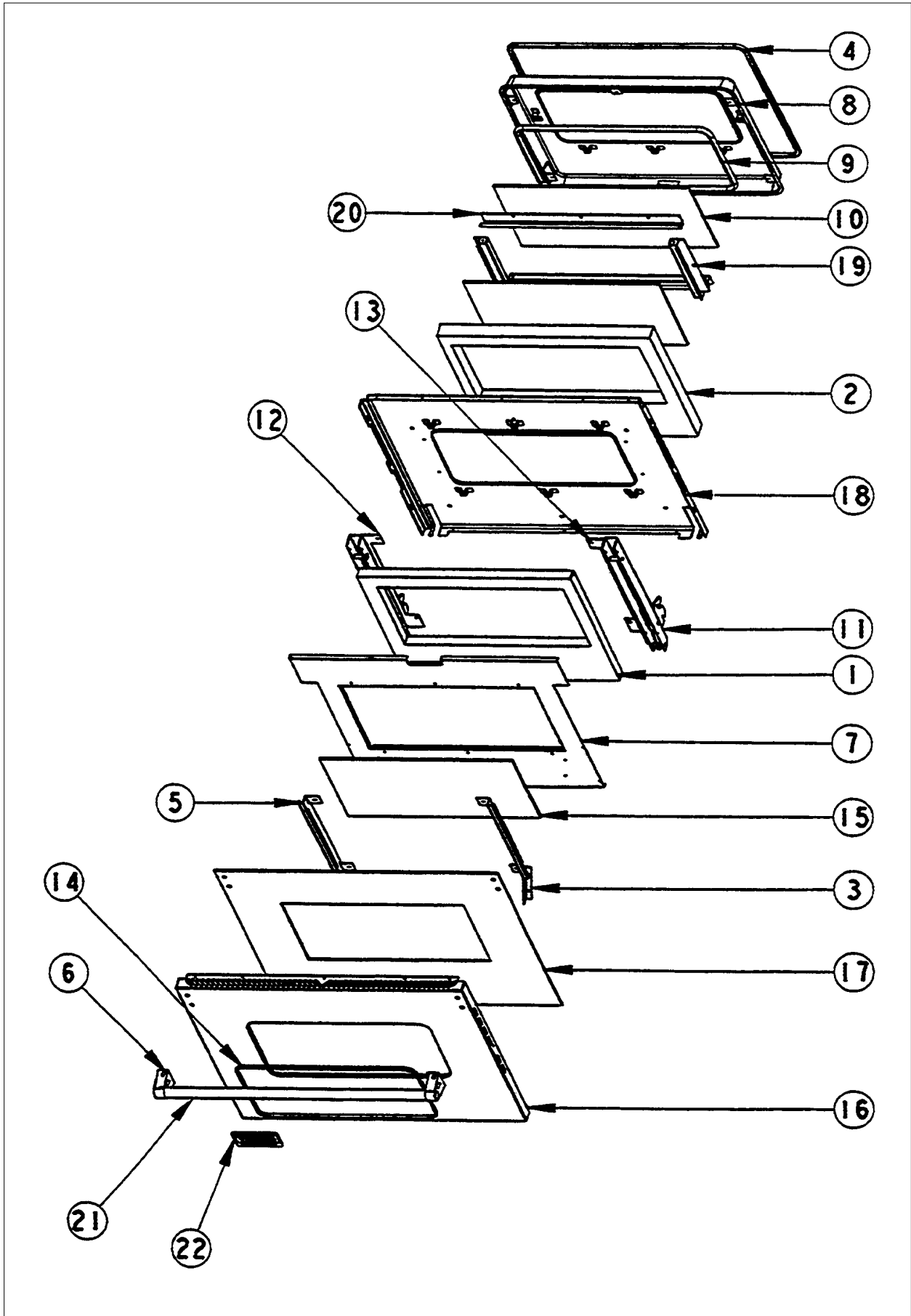
Item	Part No.	Name	Qty	Uom	NOTES
Not Shown	G3202937BK	DOOR ASSY *BK* (VESO/VEDO)	1	EA	NO LONGER AVAILABLE, Not available online / Call for pricing and availability
Not Shown	G3202937BKBR	DOOR ASSY *BK**BR* (VESO/VEDO)	1	EA	NO LONGER AVAILABLE, Not available online / Call for pricing and availability
Not Shown	G3202937BT	DOOR ASSY *BT* (VESO/VEDO)	1	EA	NO LONGER AVAILABLE, Not available online / Call for pricing and availability
Not Shown	G3202937BTBR	DOOR ASSY *BT**BR* (VESO/VEDO)	1	EA	NO LONGER AVAILABLE, Not available online / Call for pricing and availability
Not Shown	G3202937BU	DOOR ASSY *BU* (VESO/VEDO)	1	EA	NO LONGER AVAILABLE
Not Shown	G3202937BUBR	DOOR ASSY *BU**BR* (VESO/VEDO)	1	EA	NO LONGER AVAILABLE, Not available online / Call for pricing and availability
Not Shown	G3202937CB	DOOR ASSY *CB* (VESO/VEDO)	1	EA	NO LONGER AVAILABLE
Not Shown	G3202937CBBR	DOOR ASSY *CB**BR* (VESO/VEDO)	1	EA	NO LONGER AVAILABLE, Not available online / Call for pricing and availability
Not Shown	G3202937EP	DOOR ASSY *EP* (VESO/VEDO)	1	EA	NO LONGER AVAILABLE, Not available online / Call for pricing and availability
Not Shown	G3202937EPBR	DOOR ASSY *EP**BR* (VESO/VEDO)	1	EA	NO LONGER AVAILABLE, Not available online / Call for pricing and availability
Not Shown	G3202937FG	DOOR ASSY *FG* (VESO/VEDO)	1	EA	NO LONGER AVAILABLE, Not available online / Call for pricing and availability
Not Shown	G3202937FGBR	DOOR ASSEMBLY - FGBR	1	EA	Not available online / Call for pricing and availability



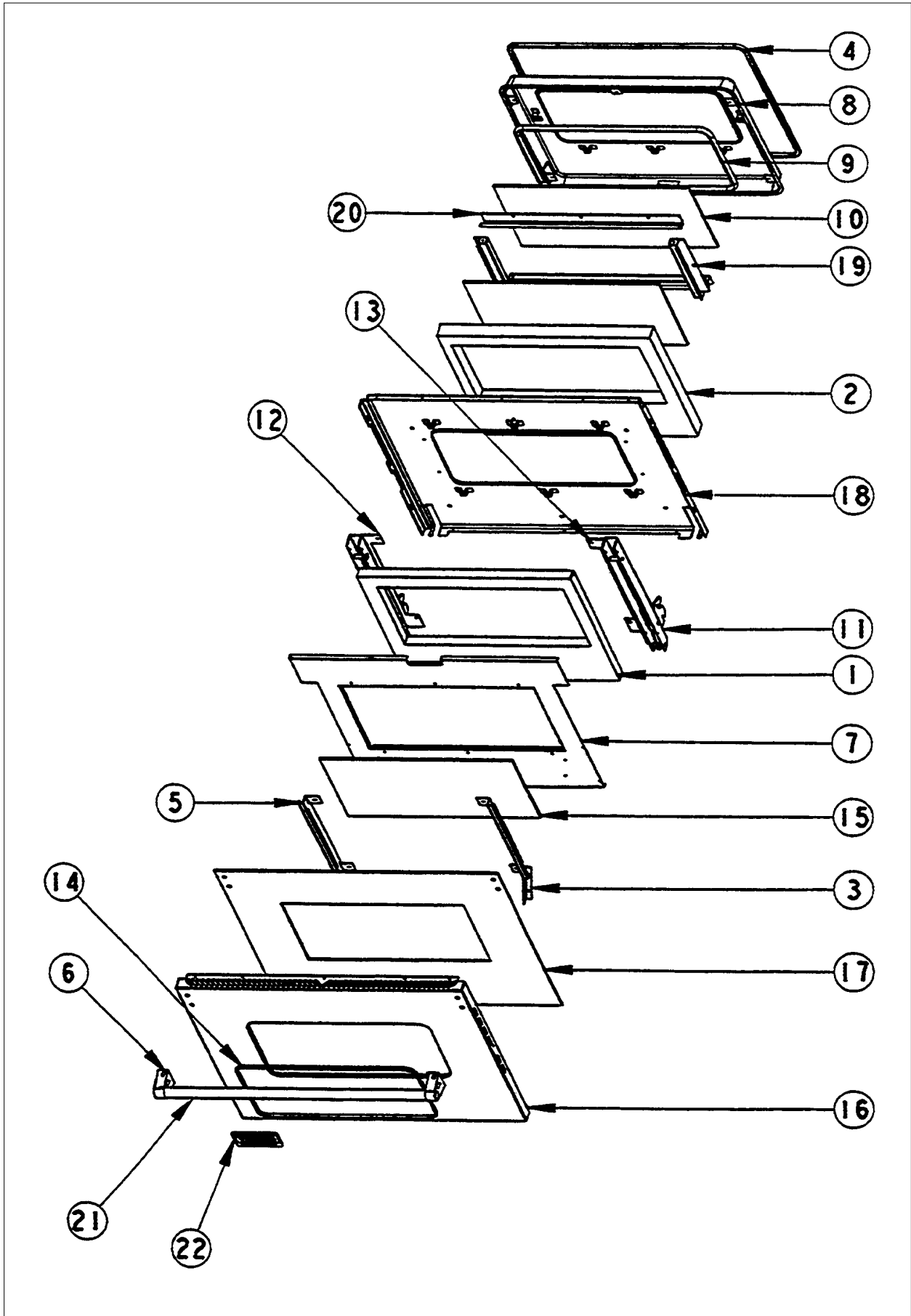
Item	Part No.	Name	Qty	Uom	NOTES
Not Shown	G3202937GG	DOOR ASSY *GG* (VESO/VEDO)	1	EA	NO LONGER AVAILABLE, Not available online / Call for pricing and availability
Not Shown	G3202937GGBR	DOOR ASSY *GG*BR* (VESO/VEDO)	1	EA	NO LONGER AVAILABLE, Not available online / Call for pricing and availability
Not Shown	G3202937LE	DOOR ASSY *LE* (VESO/VEDO)	1	EA	NO LONGER AVAILABLE, Not available online / Call for pricing and availability
Not Shown	G3202937LEBR	DOOR ASSY *LE**BR* (VESO/VEDO)	1	EA	NO LONGER AVAILABLE, Not available online / Call for pricing and availability
Not Shown	G3202937LN	DOOR ASSY *LN* (VESO/VEDO)	1	EA	NO LONGER AVAILABLE, Not available online / Call for pricing and availability
Not Shown	G3202937LNBR	DOOR ASSEMBLY - LNBR	1	EA	Not available online / Call for pricing and availability
Not Shown	G3202937MJ	DOOR ASSY *MJ* (VESO/VEDO)	1	EA	NO LONGER AVAILABLE, Not available online / Call for pricing and availability
Not Shown	G3202937MJBR	DOOR ASSY *MJ**BR* (VESO/VEDO)	1	EA	NO LONGER AVAILABLE, Not available online / Call for pricing and availability
Not Shown	G3202937PL	DOOR ASSY *PL* (VESO/VEDO)	1	EA	NO LONGER AVAILABLE, Not available online / Call for pricing and availability
Not Shown	G3202937PLBR	DOOR ASSY *PL**BR* (VESO/VEDO)	1	EA	NO LONGER AVAILABLE, Not available online / Call for pricing and availability
Not Shown	G3202937SG	DOOR ASSY *SG* (VESO/VEDO)	1	EA	NO LONGER AVAILABLE, Not available online / Call for pricing and availability



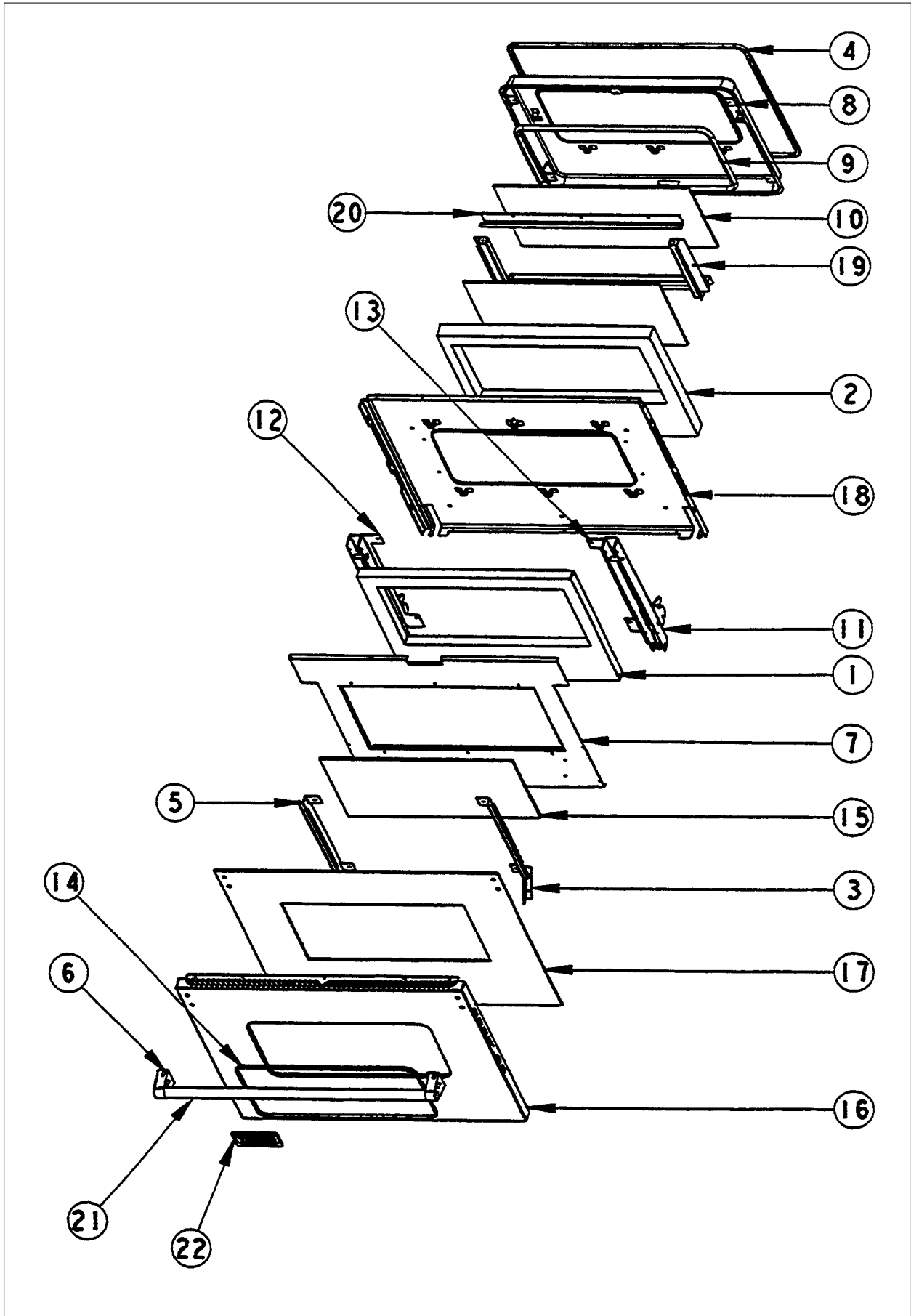
Item	Part No.	Name	Qty	Uom	NOTES
Not Shown	G3202937SGBR	DOOR ASSY *SG**BR* (VESO/MEDO)	1	EA	NO LONGER AVAILABLE, Not available online / Call for pricing and availability
Not Shown	G3202937SS	DOOR ASSY *SS* (VESO/MEDO)	1	EA	
Not Shown	G3202937SSBR	DOOR ASSY *SS**BR* (VESO/MEDO)	1	EA	NO LONGER AVAILABLE
Not Shown	G3202937VB	DOOR ASSY *VB* (VESO/MEDO)	1	EA	NO LONGER AVAILABLE, Not available online / Call for pricing and availability
Not Shown	G3202937VBBR	DOOR ASSY *VB**BR*(VESO/MEDO)	1	EA	NO LONGER AVAILABLE, Not available online / Call for pricing and availability
Not Shown	G3202937WH	DOOR ASSY *WH* (VESO/MEDO)	1	EA	NO LONGER AVAILABLE, Not available online / Call for pricing and availability
Not Shown	G3202937WHBR	DOOR ASSY *WH**BR* (VESO/MEDO) WH/B	1	EA	NO LONGER AVAILABLE, Not available online / Call for pricing and availability
1	PB070034	INSULATION-TRS-10 1" X 20" X 77' ROLL	1	EA	
2	PB070038	TRS-10 2" X 24" X 3' INSULATION	1	EA	
3	A2002497	DOOR GUIDE ANGLE VDSC	1	EA	
4	000623-000	DOOR GASKET(3/8"DIA.) (VDSC)	1	EA	
5	A2002367	DOOR GLASS BRKT	1	EA	
6	000268-000	HANDLE ENDCAP	1	EA	
Not Shown	PE030001PVD	END CAP DOOR HANDLE *BR	1	EA	
7	A2002930	DOOR INSUL. RET. FORMED	1	EA	
8	G50010123	VESO105/VEDO205 DR LINER SVC-KIT	1	EA	
9	000594-000	BLACK FIBERGLASS ROPE 3/8	1	EA	
10	PE060039	GLASS-HEAT TREATED (HB2) VDSC	1	EA	
11	PC020188	DOOR HINGE	1	EA	



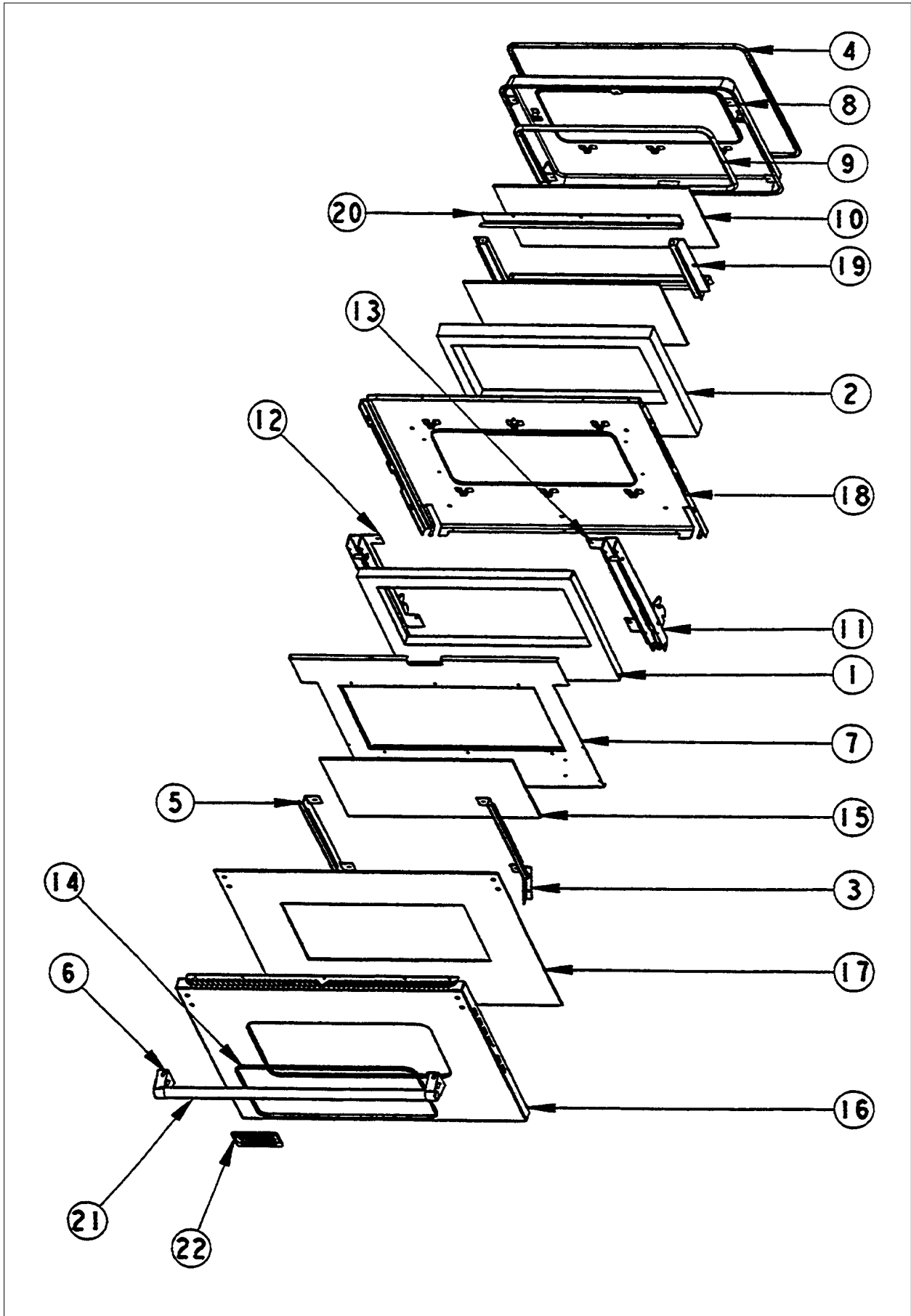
Item	Part No.	Name	Qty	Uom	NOTES
12	A2002960	HINGE BRACKET - LH (VEDO/VESO)	1	EA	
13	A2002962	HINGE BRACKET - RH (VEDO/VESO)	1	EA	
14	PE060031	J-MOLD (LARGE WINDOW)	1	EA	
Not Shown	PE060045	J-MOLD (LARGE WINDOW) *BR*	1	EA	
15	PE060030	OUTER DOOR GLASS	1	EA	
16	B2002940	O/S DOOR PANEL *SS* (VEDO205)	1	EA	
Not Shown	B2002931	O/S DOOR PANEL *SS* (VEDO/VESO)	1	EA	
Not Shown	C9002940AL	O/S DOOR PANEL *AL* (VEDO)	1	EA	NO LONGER AVAILABLE, Not available online / Call for pricing and availability
Not Shown	C9002940BK	O/S DOOR PANEL *BK* (VEDO)	1	EA	NO LONGER AVAILABLE
Not Shown	C9002940BT	O/S DOOR PANEL *BT* (VEDO)	1	EA	NO LONGER AVAILABLE
Not Shown	C9002940BU	O/S DOOR PANEL *BU* (VEDO)	1	EA	NO LONGER AVAILABLE
Not Shown	C9002940CB	O/S DOOR PANEL *CB* (VEDO)	1	EA	NO LONGER AVAILABLE, Not available online / Call for pricing and availability
Not Shown	C9002940EP	O/S DOOR PANEL *EP* (VEDO)	1	EA	NO LONGER AVAILABLE, Not available online / Call for pricing and availability
Not Shown	C9002940FG	O/S DOOR PANEL *FG* (VEDO)	1	EA	NO LONGER AVAILABLE, Not available online / Call for pricing and availability
Not Shown	C9002940GG	O/S DOOR PANEL *GG* (VDO)	1	EA	NO LONGER AVAILABLE, Not available online / Call for pricing and availability
Not Shown	C9002940LE	O/S DOOR PANEL *LE* (VEDO)	1	EA	NO LONGER AVAILABLE, Not available online / Call for pricing and availability



Item	Part No.	Name	Qty	Uom	NOTES
Not Shown	C9002940LN	O/S DOOR PANEL *LN* (VEDO)	1	EA	NO LONGER AVAILABLE, Not available online / Call for pricing and availability
Not Shown	C9002940MJ	O/S DOOR PANEL *MJ* (VEDO)	1	EA	NO LONGER AVAILABLE
Not Shown	C9002940PL	O/S DOOR PANEL *PL* (VEDO)	1	EA	NO LONGER AVAILABLE, Not available online / Call for pricing and availability
Not Shown	C9002940SG	O/S DOOR PANEL *SG* (VEDO)	1	EA	NO LONGER AVAILABLE, Not available online / Call for pricing and availability
Not Shown	C9002940VB	O/S DOOR PANEL *VB* (VEDO)	1	EA	NO LONGER AVAILABLE, Not available online / Call for pricing and availability
Not Shown	C9002940WH	O/S DOOR PANEL *WH* (VEDO)	1	EA	NO LONGER AVAILABLE, Not available online / Call for pricing and availability
Not Shown	C9002931AL	O/S DOOR PANEL *AL* (VEDO/MESO)	1	EA	NO LONGER AVAILABLE, Not available online / Call for pricing and availability
Not Shown	C9002931BK	O/S DOOR PANEL *BK* (VEDO/MESO)	1	EA	
Not Shown	C9002931BT	O/S DOOR PANEL *BT* (VEDO/MESO)	1	EA	NO LONGER AVAILABLE
Not Shown	C9002931BU	O/S DOOR PANEL *BU* (VEDO/MESO)	1	EA	NO LONGER AVAILABLE
Not Shown	C9002931CB	O/S DOOR PANEL *CB* (VEDO/MESO)	1	EA	NO LONGER AVAILABLE
Not Shown	C9002931EP	O/S DOOR PANEL *EP* (VEDO/MESO)	1	EA	NO LONGER AVAILABLE, Not available online / Call for pricing and availability
Not Shown	C9002931FG	O/S DOOR PANEL *FG* (VEDO/MESO)	1	EA	NO LONGER AVAILABLE, Not available online / Call for pricing and availability
Not Shown	C9002931GG	O/S DOOR PANEL *GG* (VESO/MESO)	1	EA	NO LONGER AVAILABLE



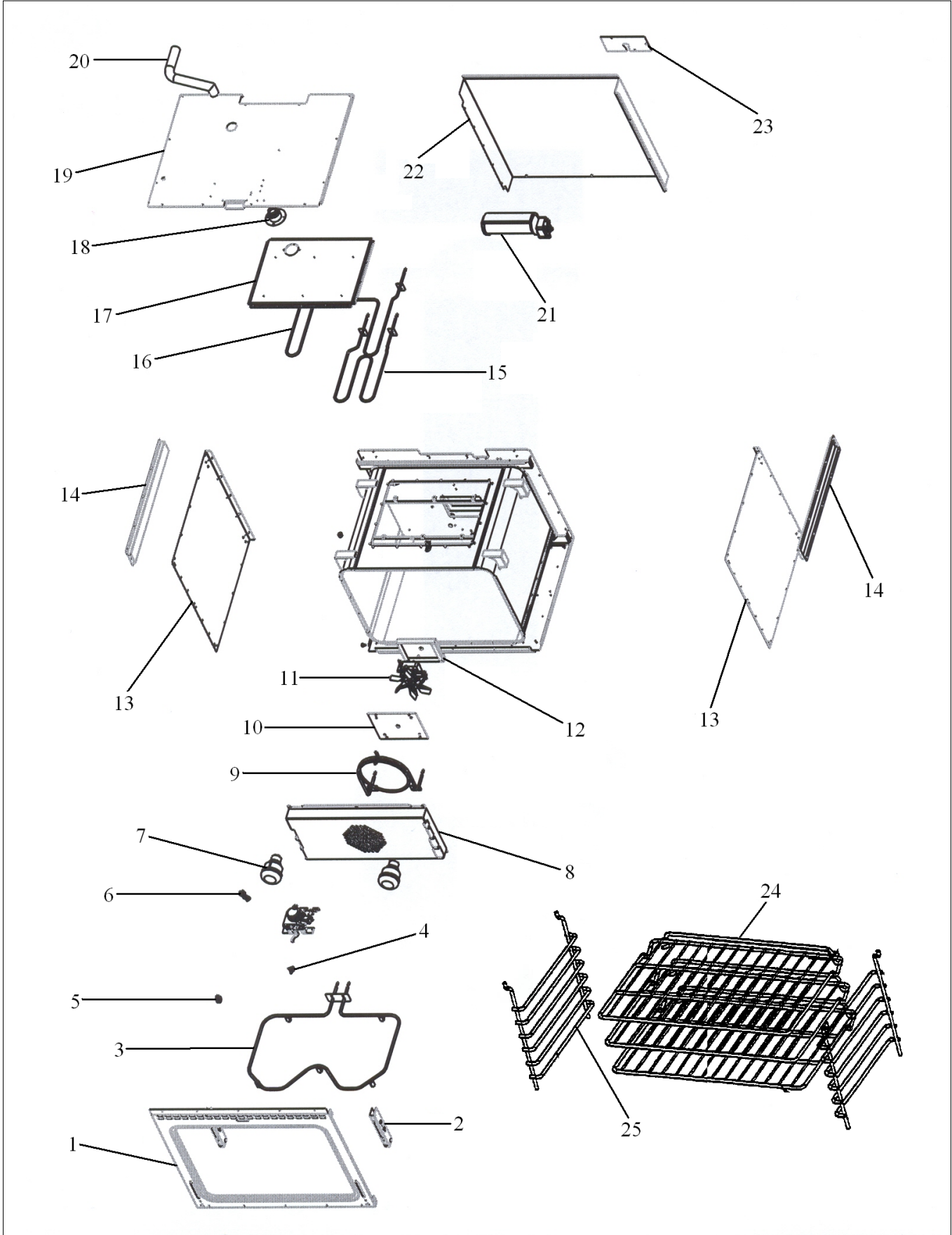
Item	Part No.	Name	Qty	Uom	NOTES
Not Shown	C9002931LE	O/S DOOR PANEL *LE* (VEDO/VESO)	1	EA	NO LONGER AVAILABLE
Not Shown	C9002931LN	O/S DOOR PANEL *LN* (VESO/VEDO)	1	EA	NO LONGER AVAILABLE, Not available online / Call for pricing and availability
Not Shown	C9002931MJ	O/S DOOR PANEL *MJ* (VEDO/VESO)	1	EA	NO LONGER AVAILABLE, Not available online / Call for pricing and availability
Not Shown	C9002931PL	O/S DOOR PANEL *PL* (VEDO/VESO)	1	EA	NO LONGER AVAILABLE, Not available online / Call for pricing and availability
Not Shown	C9002931SG	O/S DOOR PANEL *SG* (VEDO/VESO)	1	EA	Not available online / Call for pricing and availability
Not Shown	C9002931VB	O/S DOOR PANEL *VB* (VEDO/VESO)	1	EA	NO LONGER AVAILABLE, Not available online / Call for pricing and availability
Not Shown	C9002931WH	O/S DOOR PANEL *WH* (VEDO/VESO)	1	EA	NO LONGER AVAILABLE, Not available online / Call for pricing and availability
17	J1002939	OVEN DR HEAT SINK (VESO/DO)	1	EA	
18	G50010123	VESO105/VEDO205 DR LINER SVC-KIT	1	EA	
19	E9102179	WINDOW LINER-SIDE (VDSC)	1	EA	
20	E9102178	WINDOW LINER-TOP/BTM (VDSC)	1	EA	
21	PE030036	DOOR HANDLE *SS* (VESO/VEDO) 26.935	1	EA	
Not Shown	F0002944BR	DOOR HANDLE-VEDO/VESO (CUT-TO-SIZE)	1	EA	NO LONGER AVAILABLE
22	PE010016	LOGO (ALL RANGES) *BK/CHR 307997W	1	EA	
Not Shown	PE010017	LOGO (VGSO,VEDO,VGDO,VUD) *WH/CHR	1	EA	
Not Shown	PE010079	4.5" LOGO/VIKING PROF *BK/BR	1	EA	



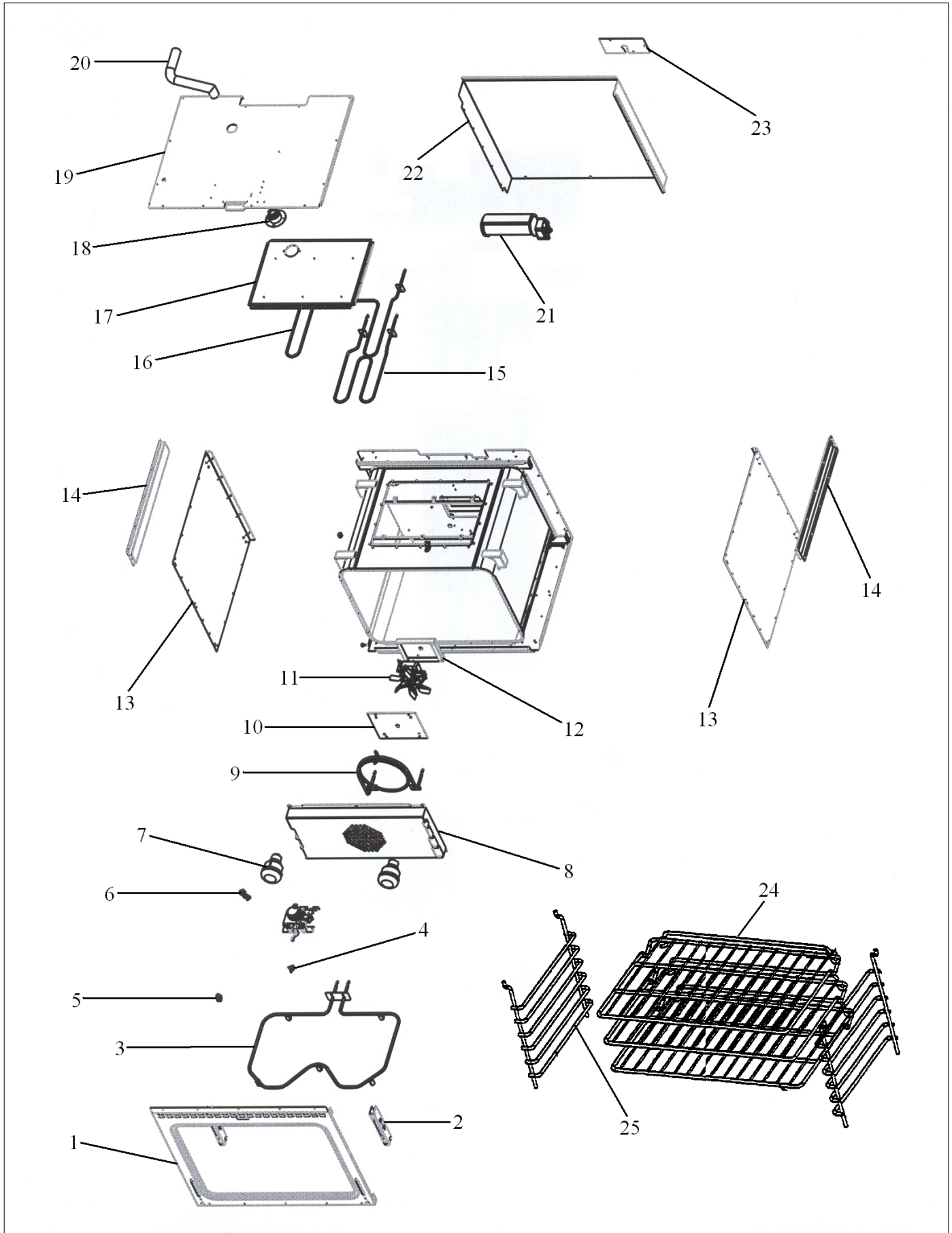


Item	Part No.	Name	Qty	Uom	NOTES
Not Shown	PE010080	4.5" LOGO/VIKING PROF *WH/BR	1	EA	
NI	B1009167	HINGE CLIP	1	EA	

LOWER OVEN ASSY



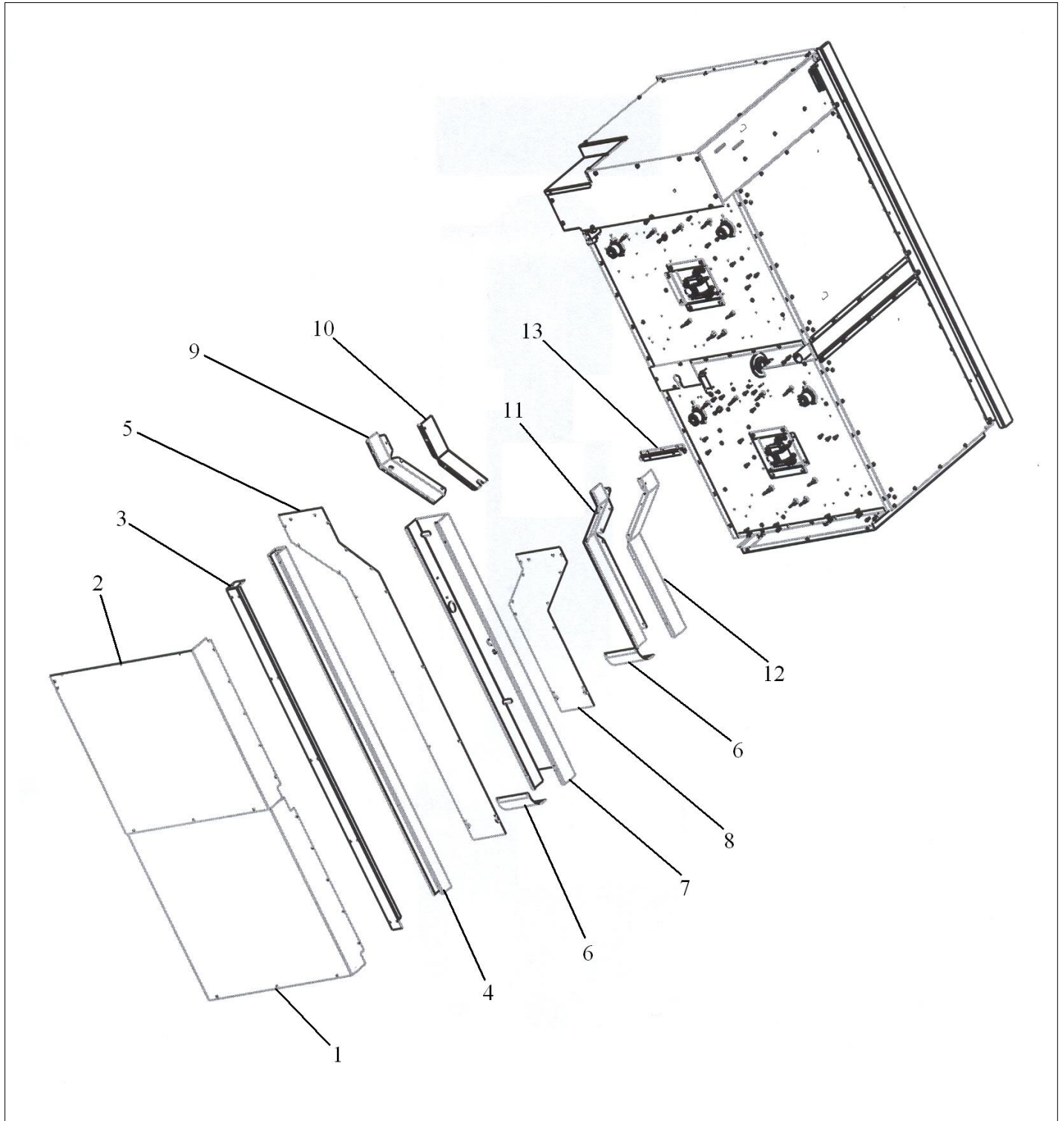
Item	Part No.	Name	Qty	Uom	NOTES
1	H9107882	30" LOWER FRONT FRAME ASSY	1	EA	Not available online / Call for pricing and availability
2	PC020016	HINGE RECEIVER (VEDO/VEDO)	1	EA	
3	PJ010001	BROIL ELEMENT 240V	1	EA	
4	PJ030022	FAN SWITCH (HI-LIMIT SWITCH)	1	EA	
5	PM010160	MEAT PROBE JACK COVER (SWITCHCRAFT'S PART# 2C1098)	1	EA	
6	PE050115	MEAT PROBE JACK (SWITCHCRAFT'S PART# 3J1505)	1	EA	
Comments for Part Num. PE050115 bradleysapplianceservice@shaw.ca on May 8, 2017 Meat probe is not illustrated on Parts Break Down. PE050114 MEAT PROBE					
7	031449-000	LAMP, ASM	1	EA	
8	E9102170	CONVECTION FAN COVER	1	EA	
9	PJ010003	CONVECTION ELEMENT (VDSC) 240V	1	EA	
10	A1002596	CONVECTION FAN COVER (VDSC)	1	EA	
11	PE050005	CONVECTION FAN ASSY	1	EA	
12	A2002595	CONVECTION FAN BOX (VDSC)	1	EA	
13	A2002904	SIDE INSULATION RETAINER	1	EA	NO LONGER AVAILABLE, Not available online / Call for pricing and availability
14	A2006088	OVEN MOUNTING BRACKET	1	EA	NO LONGER AVAILABLE
15	PJ010001	BROIL ELEMENT 240V	1	EA	
16	PJ010002	BROIL ELEMENT(MAXI)-SIDE (VDSC)240V	1	EA	
17	B2002167	BROILER TOP (VDSC)	1	EA	NO LONGER AVAILABLE
18	PM010014	SMOKE ELIMINATOR (VDSC)	1	EA	





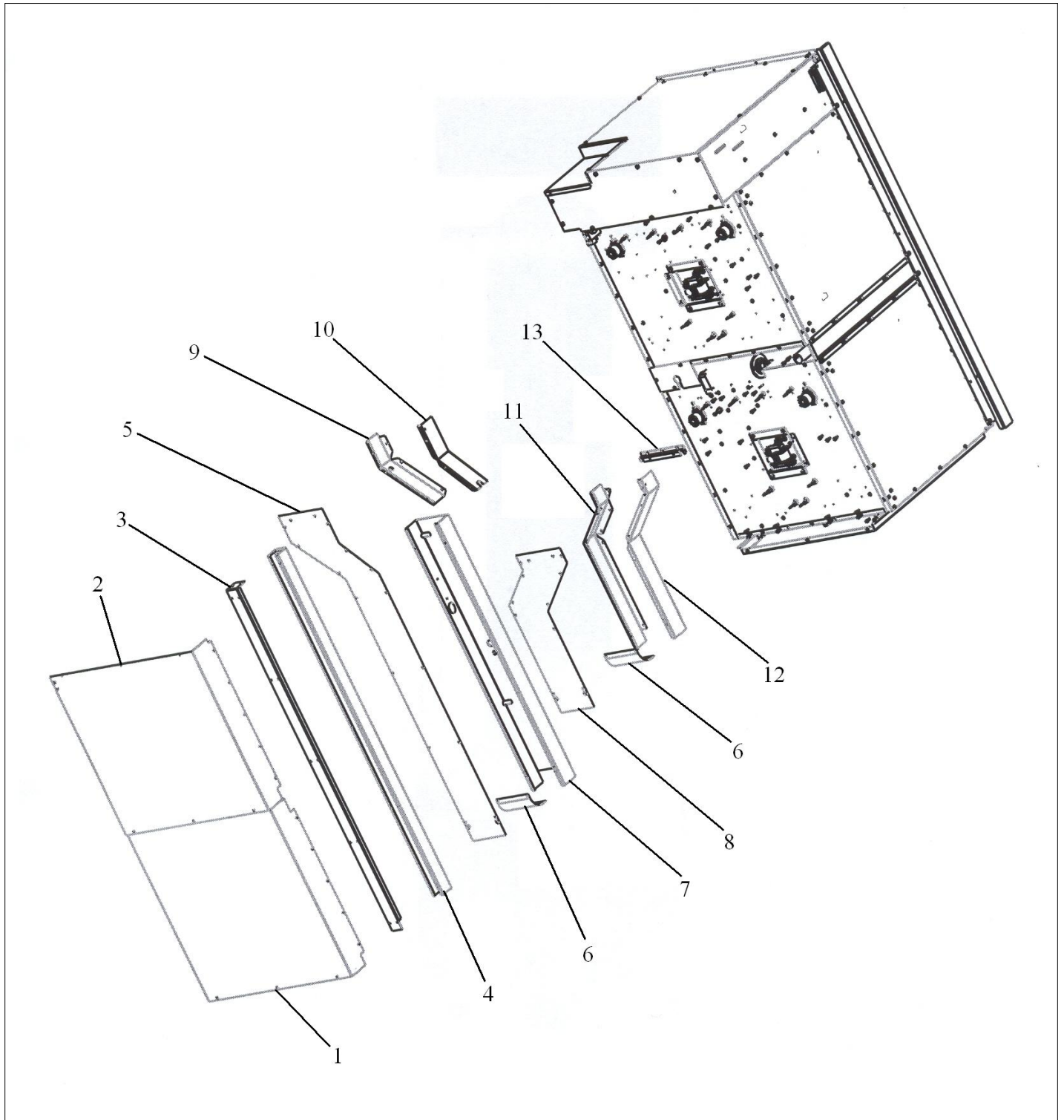
Item	Part No.	Name	Qty	Uom	NOTES
19	A2006090	LOWER TOP INSULATION RETAINER	1	EA	NO LONGER AVAILABLE, Not available online / Call for pricing and availability
20	PB020117	DESIGNER OVEN VENT	1	EA	NO LONGER AVAILABLE
21	PE050087	BLOWER ASSEMBLY - DESIGNER SERIES	1	EA	
22	A2008582	30" LOWER OUTER BACK	1	EA	NO LONGER AVAILABLE, Not available online / Call for pricing and availability
23	A1006103	RH LOWER REAR COVER 30 (DEDO200)	1	EA	NO LONGER AVAILABLE, Not available online / Call for pricing and availability
24	PB060044	OVEN RK VDSC30/48RH REPL PB060019	1	EA	
25	PB060030	RACK SUPT REPL PB060010	1	EA	

REAR ASSEMBLY





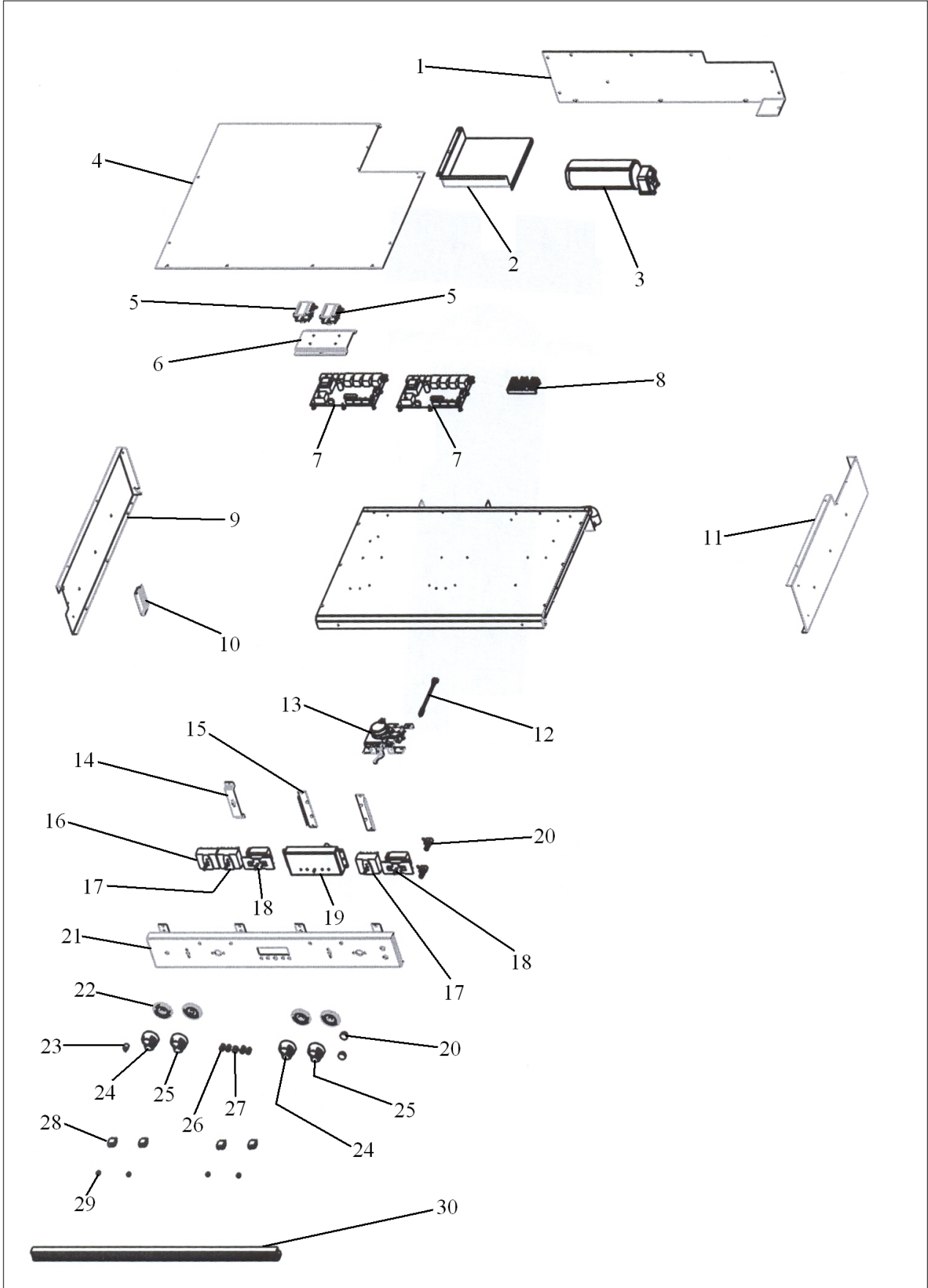
Item	Part No.	Name	Qty	Uom	NOTES
1	A2008582	30" LOWER OUTER BACK	1	EA	NO LONGER AVAILABLE, Not available online / Call for pricing and availability
2	A2008581	30" UPPER OUTER BACK	1	EA	NO LONGER AVAILABLE, Not available online / Call for pricing and availability
3	A2006180	DOUBLE OVEN FLUE COVER	1	EA	NO LONGER AVAILABLE, Not available online / Call for pricing and availability
4	A2006181	DOUBLE OVEN FLUE	1	EA	NO LONGER AVAILABLE, Not available online / Call for pricing and availability
5	A1006179	DOUBLE VENT COVER PLATE	1	EA	NO LONGER AVAILABLE, Not available online / Call for pricing and availability
6	A2006182	AIR SCOOP	1	EA	NO LONGER AVAILABLE
7	A2006199	LOWER AIR VENT	1	EA	NO LONGER AVAILABLE, Not available online / Call for pricing and availability
8	A1006178	LOWER VENT COVER PLATE	1	EA	NO LONGER AVAILABLE, Not available online / Call for pricing and availability
9	A2006323	VENT SIDE RH	1	EA	NO LONGER AVAILABLE, Not available online / Call for pricing and availability
10	A2006324	VENT SIDE LH	1	EA	NO LONGER AVAILABLE, Not available online / Call for pricing and availability
11	A2006321	LOWER VENT SIDE RH	1	EA	NO LONGER AVAILABLE, Not available online / Call for pricing and availability



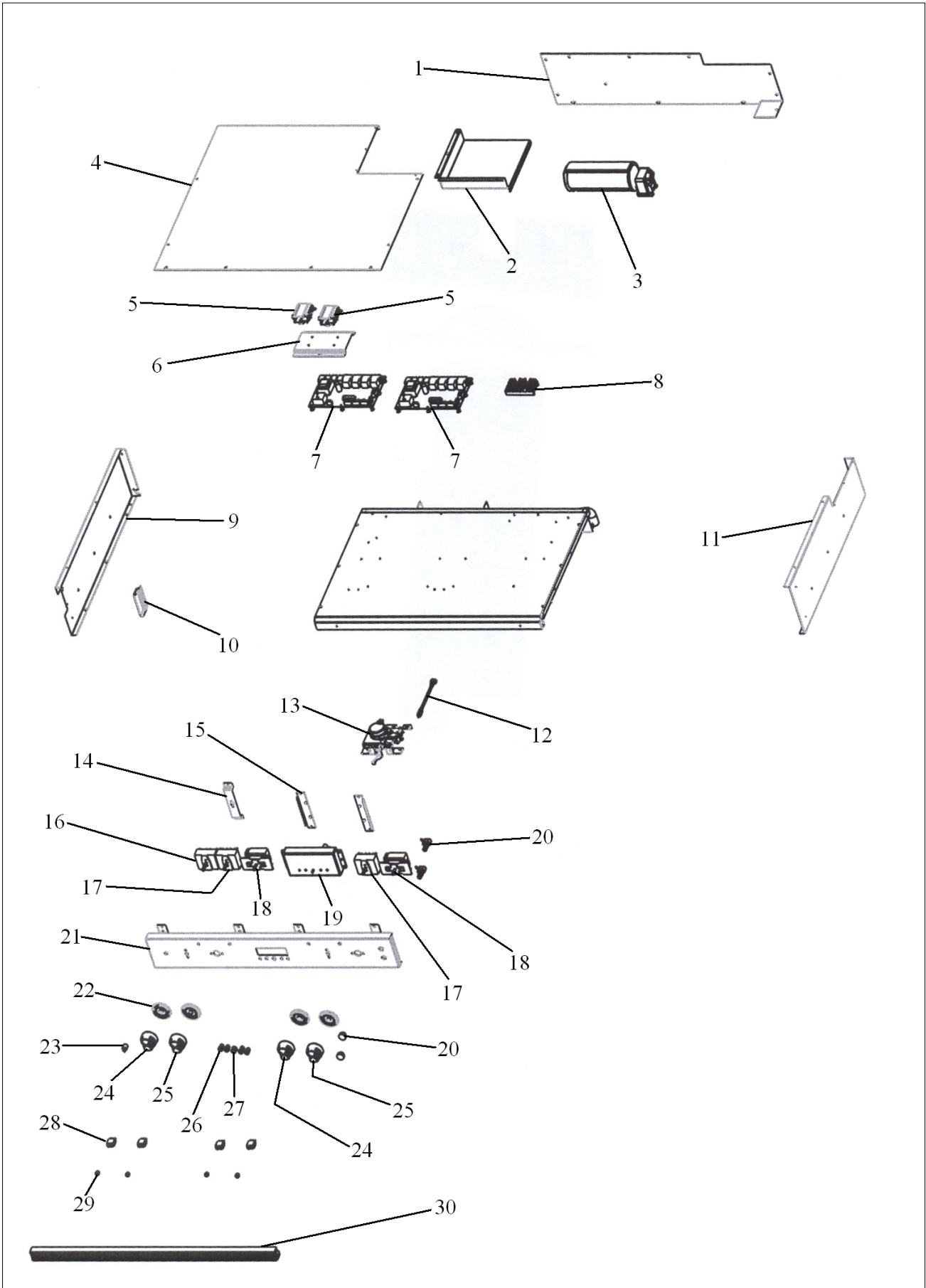


Item	Part No.	Name	Qty	Uom	NOTES
12	A2006322	LOWER VENT SIDE RH	1	EA	NO LONGER AVAILABLE, Not available online / Call for pricing and availability
13	A2006048	FAN MOUNTING BRACKET	1	EA	NO LONGER AVAILABLE, Not available online / Call for pricing and availability

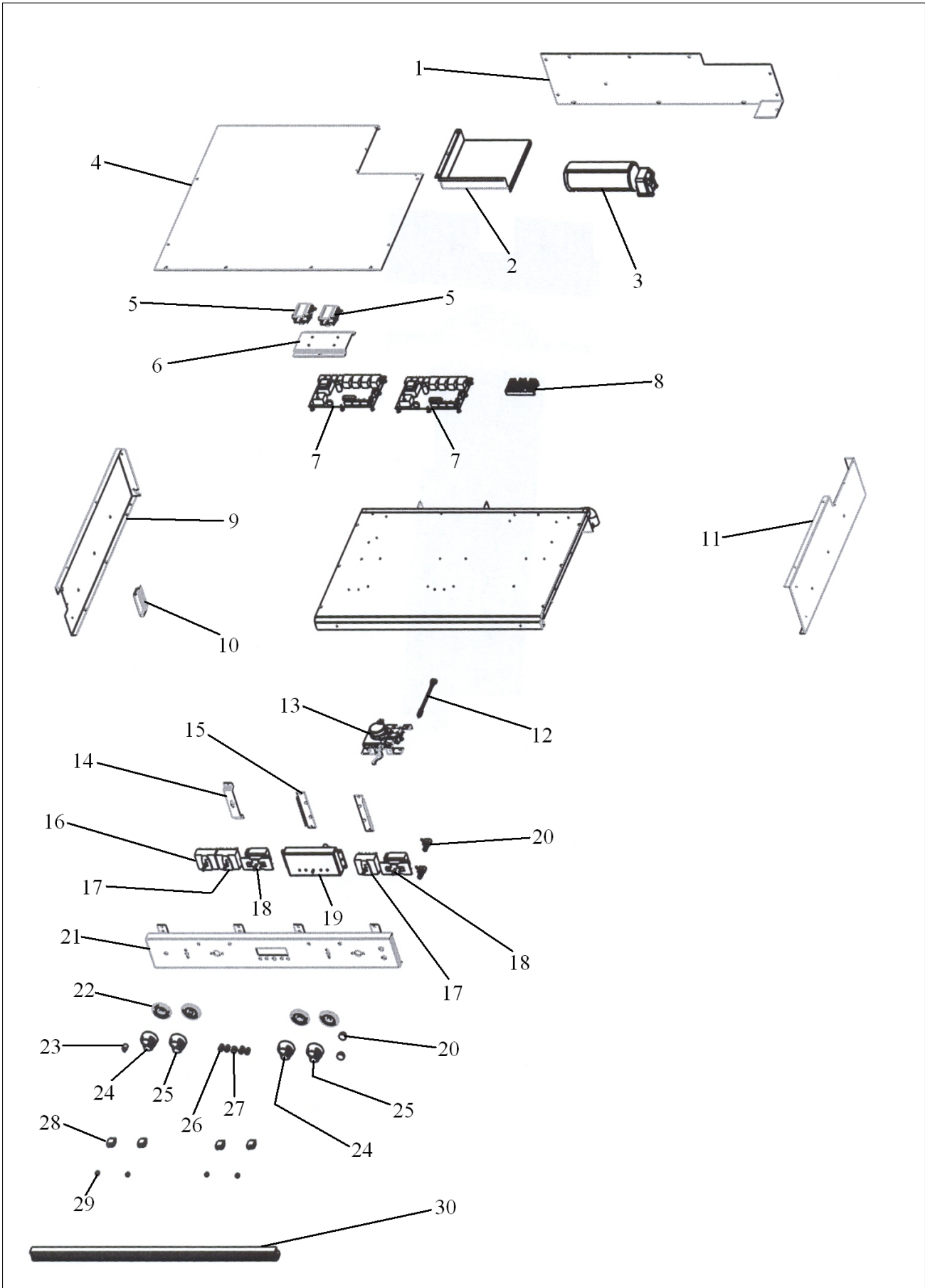
TOP ASSY



Item	Part No.	Name	Qty	Uom	NOTES
1	A2008557	30" TOP REAR COVER	1	EA	NO LONGER AVAILABLE
2	A2008543	TOP CHANNEL	1	EA	NO LONGER AVAILABLE, Not available online / Call for pricing and availability
3	PE050087	BLOWER ASSEMBLY - DESIGNER SERIES	1	EA	
4	A2008580	30" CABINET TOP	1	EA	NO LONGER AVAILABLE, Not available online / Call for pricing and availability
5	PJ030002	AUTO RESET (SELF-CLEAN) VDSC	1	EA	
6	A2009884	AUTO RESET BRACKET	1	EA	NO LONGER AVAILABLE, Not available online / Call for pricing and availability
7	PE070786	ELECTRONIC CONTROL BOARD	1	EA	
8	PE070147	TERMINAL BLOCK (VDSC)	1	EA	
9	A2006123	CABINET SIDE LH	1	EA	
10	A2006109	SELECTOR SWITCH COVER	1	EA	NO LONGER AVAILABLE, Not available online / Call for pricing and availability
11	A2007906	30"" SINGLE CAB. SIDE RH	1	EA	NO LONGER AVAILABLE, Not available online / Call for pricing and availability
12	PE050059	HI-LIMIT SWITCH	1	EA	
13	PE050112	DOOR LATCH	1	EA	
14	A2008526	SELECTOR BRACKET	1	EA	NO LONGER AVAILABLE
15	A2008527	CLOCK BRACKET	1	EA	
16	PJ030030	4 POS SELECTOR SWITCH	1	EA	
Not Shown	PJ030010	SELECTOR SWITCH (3-POSITION)VEDO205	1	EA	
17	PJ030001	SELECTOR SWITCH (8-POSITION) VDSC	1	EA	
18	PS500033	SUB TO PS500033 - SELF CLEAN THERMOSTAT	1	EA	



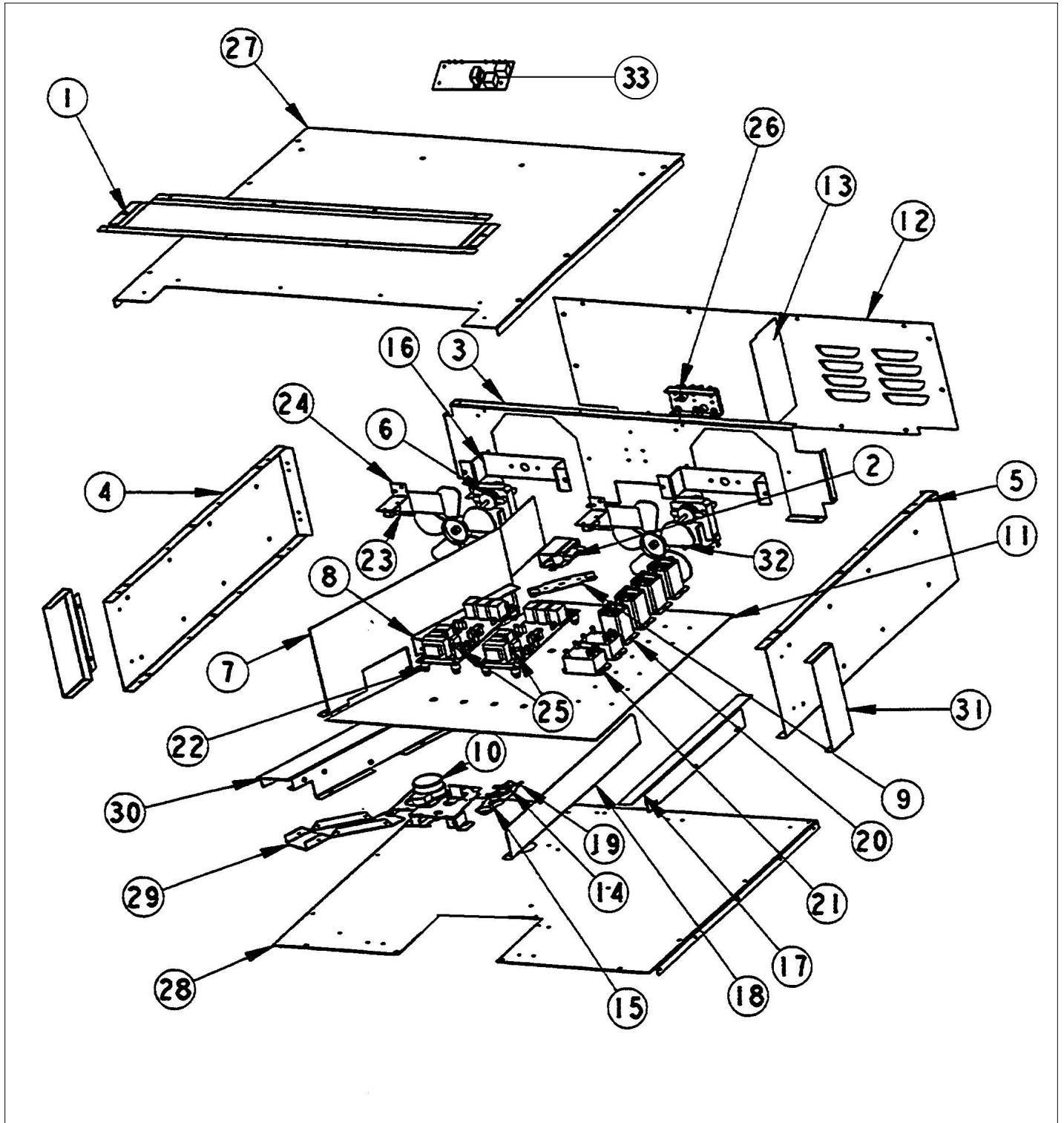
Item	Part No.	Name	Qty	Uom	NOTES
19	PE050213	PRO 120V DIGITAL CLOCK	1	EA	
20	PE050019	OVEN LIGHT SWITCH (VGSO166) 90-DEG.	1	EA	
21	B9208584	30" DOUBLE CONTROL PANEL	1	EA	
Not Shown	C9208584BK	30" DOUBLE CONTROL PANEL *BK*	1	EA	NO LONGER AVAILABLE, Not available online / Call for pricing and availability
Not Shown	C9208584WH	30" DOUBLE CONTROL PANEL *WH*	1	EA	NO LONGER AVAILABLE, Not available online / Call for pricing and availability
22	PB010152	Bezel - SS	1	EA	
Not Shown	PB010153	Bezel - BR	1	EA	
23	PB010165	TIME MANUAL KNOB *BK* (VESO/VEDO)	1	EA	
Not Shown	PB010166	TIME MANUAL KNOB *WH* (VESO/VEDO)	1	EA	
24	PB010148	SELECTOR KNOB-*BK* (30"DOUBLE OVEN	1	EA	
Not Shown	PB010149	SELECTOR KNOB-*WH* (30" B- IN OVEN)	1	EA	
25	PB010150	T/STAT KNOB-*BK* (30" B-IN OVEN)	1	EA	
Not Shown	PB010151	T/STAT KNOB-*WH* (30" B-IN OVEN)	1	EA	
26	PB010248	CLOCK BUTTON	1	EA	
Not Shown	PB010249	PUSH BUTTON WHITE	1	EA	NO LONGER AVAILABLE, Not available online / Call for pricing and availability
27	PB010246	CLOCK KNOB	1	EA	
Not Shown	PB010247	KNOB WHITE	1	EA	NO LONGER AVAILABLE
28	PE050024	OVEN IND. LIGHT (LIGHT HOUSING)	1	EA	





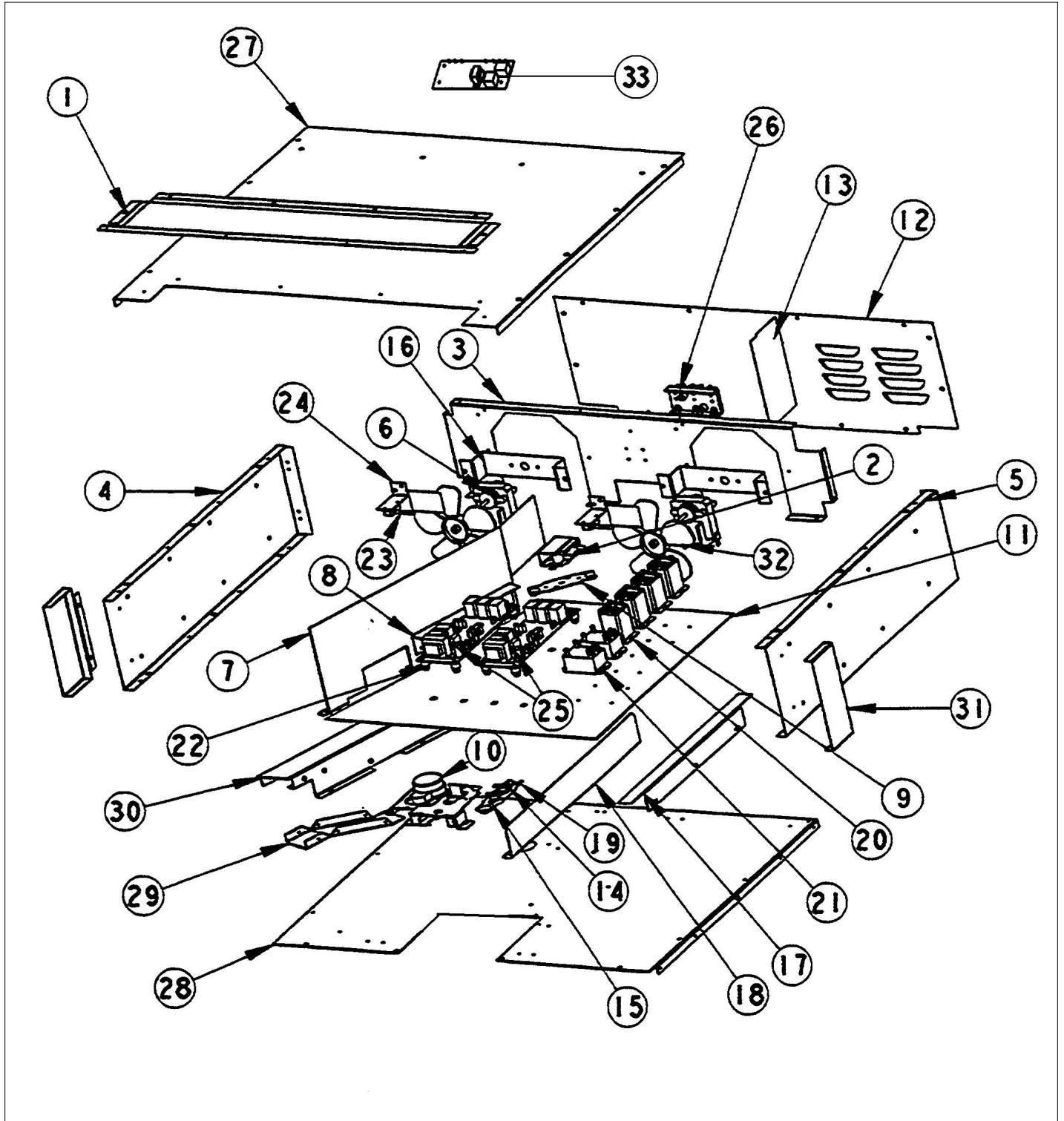
Item	Part No.	Name	Qty	Uom	NOTES
Comments for Part Num. PE050024					
haarnink@vikingrange.com on Jan 14, 2019					
please note that the indicator light is now part 043135-000 but needs the Jumper harness 051443-000. and second option there are units in the field with a 230V indicator light part number 036566-000.					
please check this for all "E" module ranges/Tops					
29	PE050023	OVEN IND. LIGHT (LENS & BEZEL)	1	EA	
30	PE040209	LOWER CONTROL PANEL EXTRUSION	1	EA	

TOP ASSY (10-24-04 TO 12-1-04)



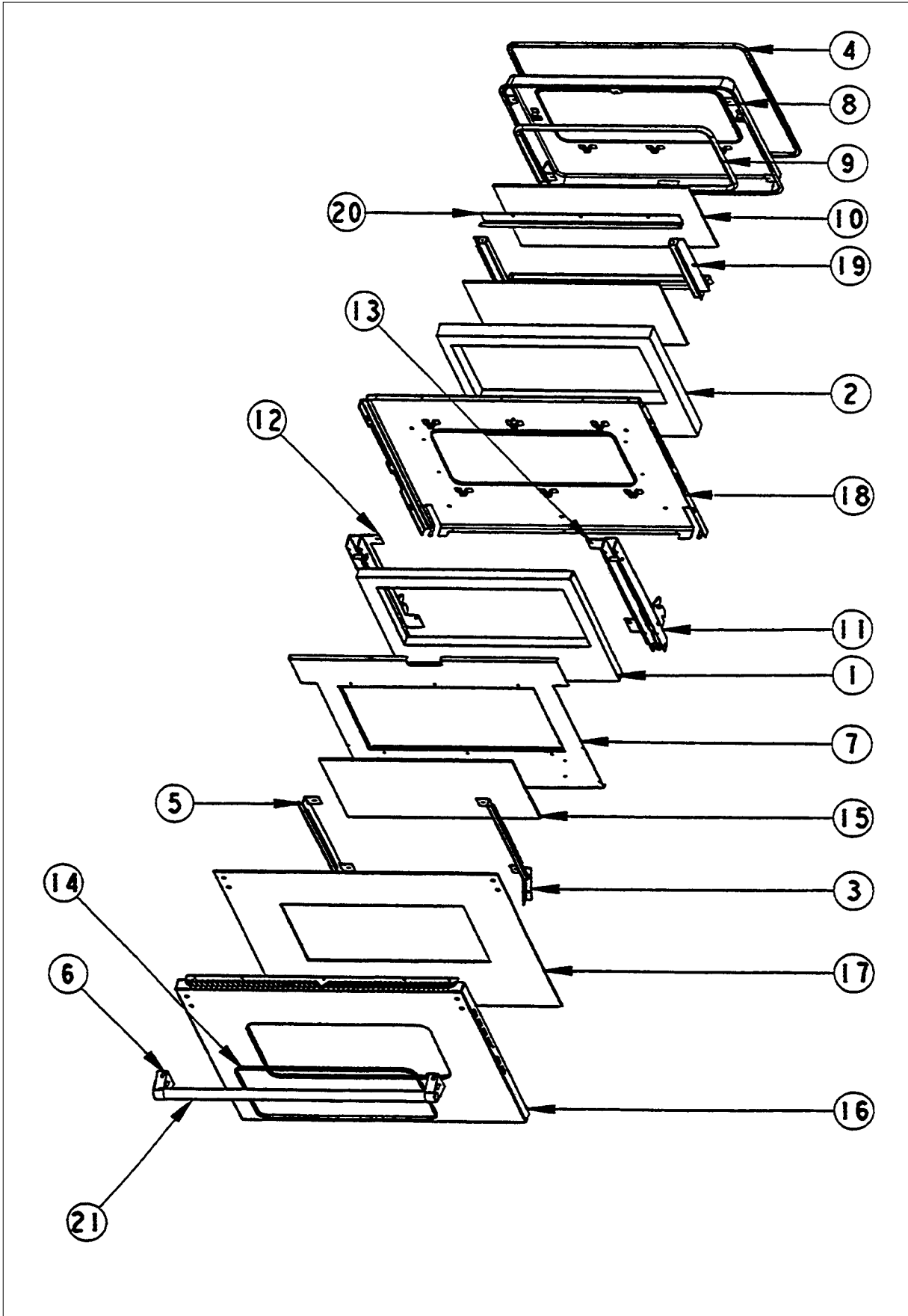


Item	Part No.	Name	Qty	Uom	NOTES
1	E9102908	AIR VENT (VESO/VEDO)	1	EA	NO LONGER AVAILABLE
2	PJ030002	AUTO RESET (SELF-CLEAN) VDSC	1	EA	
3	A2002926	CABINET BACK - VEDO205	1	EA	NO LONGER AVAILABLE, Not available online / Call for pricing and availability
4	A2002906	CABINET SIDE	1	EA	NO LONGER AVAILABLE, Not available online / Call for pricing and availability
5	A2002906	CABINET SIDE	1	EA	NO LONGER AVAILABLE, Not available online / Call for pricing and availability
6	PE110024	MOTOR FAN Y0042226	1	EA	NO LONGER AVAILABLE
7	A2002950	DIVIDER - VESO/VEDO	1	EA	NO LONGER AVAILABLE, Not available online / Call for pricing and availability
8	A2002956	FLOOR BRACE - VEDO205/VESO105	1	EA	NO LONGER AVAILABLE, Not available online / Call for pricing and availability
9	A1002456	THERMO-DISC BRKT (VDSC)	1	EA	
10	PE050112	DOOR LATCH	1	EA	
11	A2002949	FALSE FLOOR - VESO/VEDO	1	EA	NO LONGER AVAILABLE, Not available online / Call for pricing and availability
12	A1002947	FAN COVER - VESO	1	EA	NO LONGER AVAILABLE, Not available online / Call for pricing and availability
13	A2002948	FAN DIVIDER - VESO/VEDO	1	EA	NO LONGER AVAILABLE, Not available online / Call for pricing and availability
14	PJ030005	SWITCH (HIGH-LIMIT) VDSC	1	EA	
15	PJ030006	SWITCH (COOLING FAN)	1	EA	



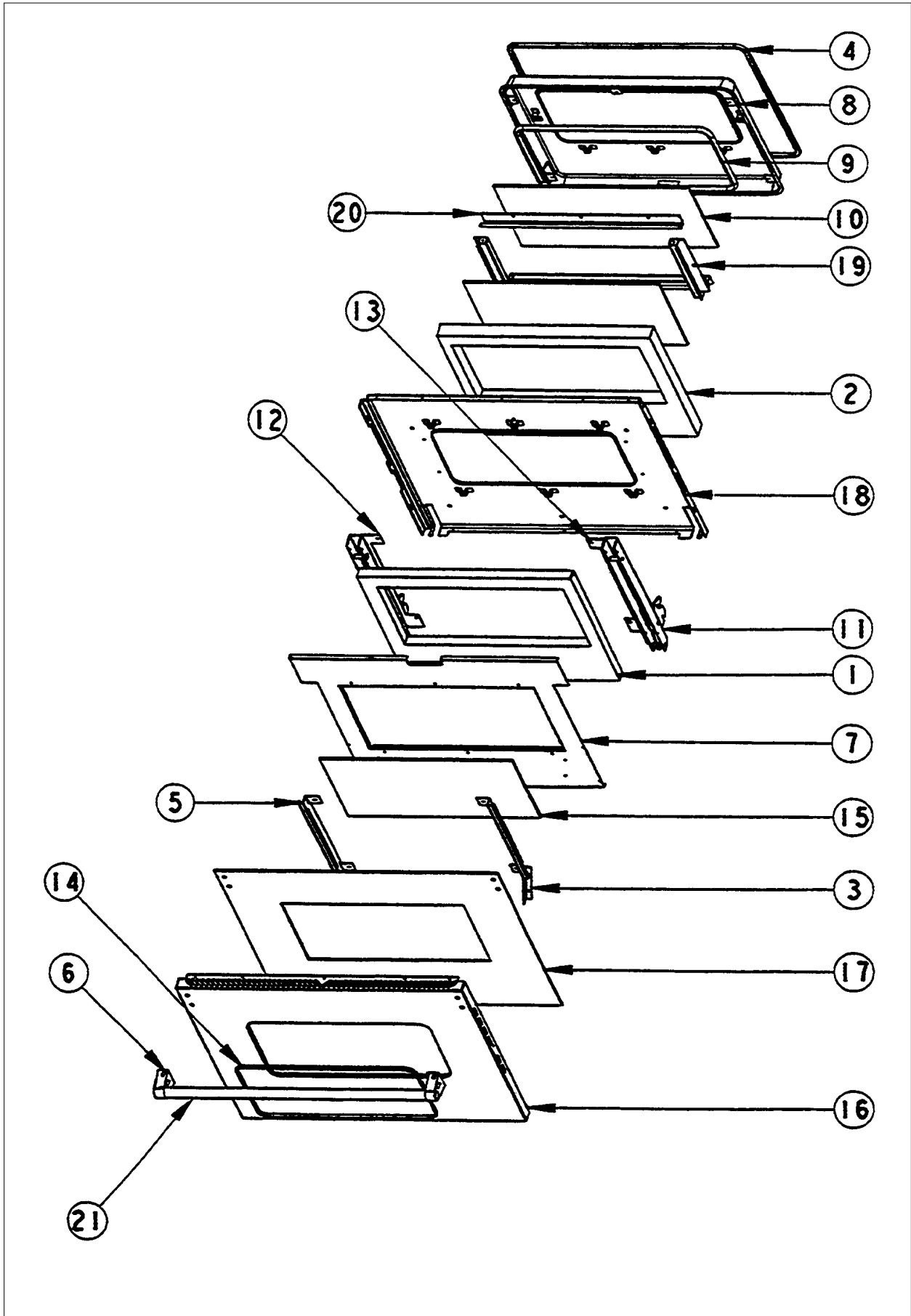
Item	Part No.	Name	Qty	Uom	NOTES
16	A2002911	FAN MTG BRKT	1	EA	NO LONGER AVAILABLE
17	A2002952	FLOOR BRACE - VESO/VEDO	1	EA	NO LONGER AVAILABLE, Not available online / Call for pricing and availability
18	A2002951	FLOOR SUPT - VESO/VEDO	1	EA	NO LONGER AVAILABLE, Not available online / Call for pricing and availability
19	A1002456	THERMO-DISC BRKT (VDSC)	1	EA	
20	PM010029	RELAY (DOUBLE POLE-DOUBLE THROW)TEM	1	EA	
21	PM010029	RELAY (DOUBLE POLE-DOUBLE THROW)TEM	1	EA	
22	PD030033	GROMMET NUT-ROUND HD. #8 X .500DIA.	1	EA	
23	G5002958	SAIL SWITCH ASSY (VESO/VEDO)	1	EA	
24	A2002959	SAIL SWITCH MNTG. BRKT. (VESO/VEDO)	1	EA	
25	PE070148	SELF-CLEAN BOARD/TIMER (VDSC)	1	EA	
26	PE070147	TERMINAL BLOCK (VDSC)	1	EA	
27	A2002964	TOP COVER (VESO105)	1	EA	
28	G3008411	TOP INSULATION RETAINER ASSY	1	EA	Not available online / Call for pricing and availability
29	A2002909	VENT BTM	1	EA	NO LONGER AVAILABLE
30	A2002910	VENT TOP	1	EA	NO LONGER AVAILABLE
31	A2002954	CABINET COVER	1	EA	NO LONGER AVAILABLE, Not available online / Call for pricing and availability
32	PE110031	BLADE FAN Y0314548	1	EA	NO LONGER AVAILABLE
33	PE070308	PRE-HEAT BOARD	1	EA	
NI	PE070317	VEDO/VESO PREHEAT HARNESS	1	EA	Not available online / Call for pricing and availability

UPPER DOOR ASSY





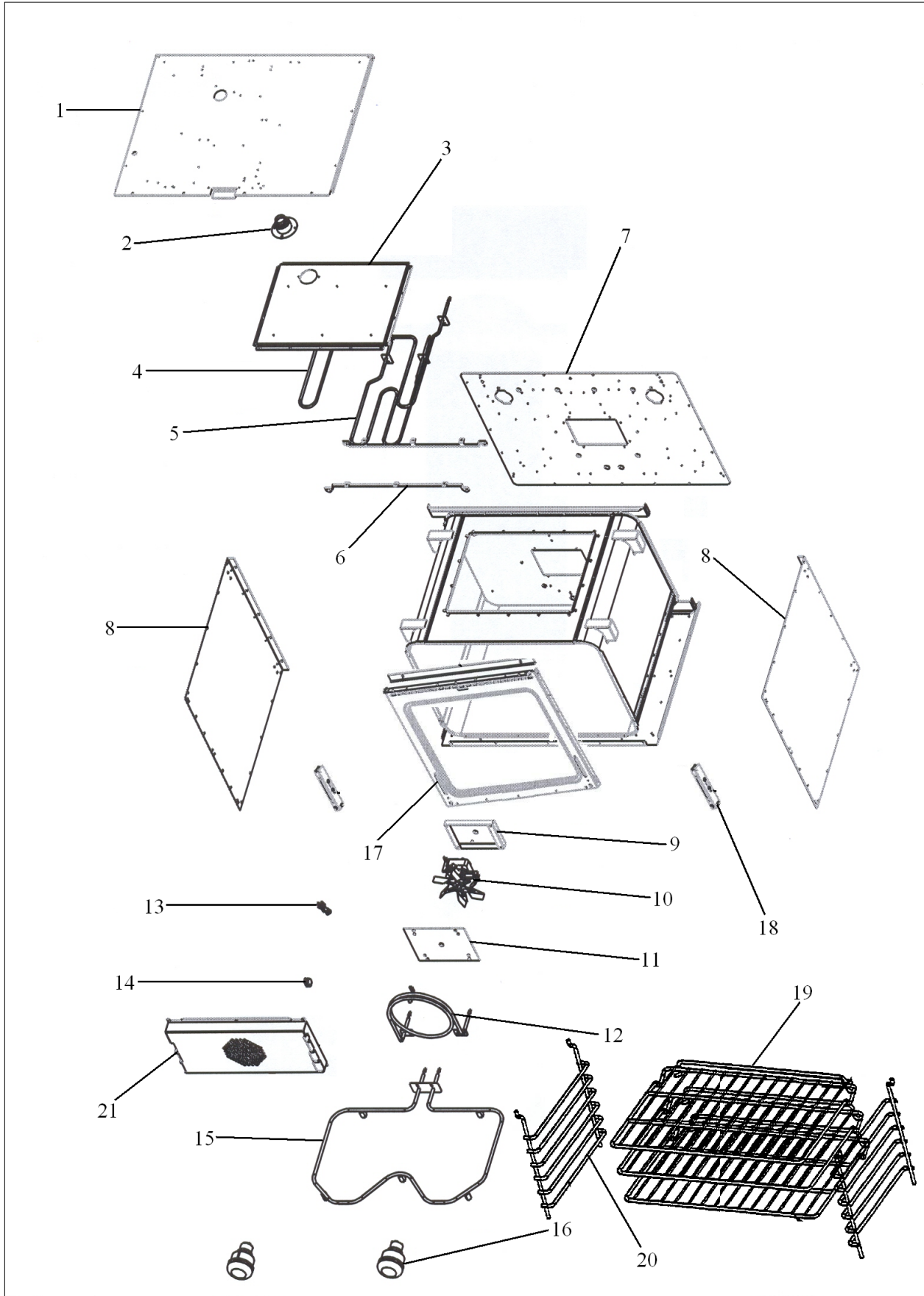
Item	Part No.	Name	Qty	Uom	NOTES
NI	G3202938***^	UPPER DOOR ASSEMBLY	1	EA	Not available online / Call for pricing and availability
1	PB070034	INSULATION-TRS-10 1" X 20" X 77' ROLL	1	EA	
2	PB070038	TRS-10 2" X 24" X 3' INSULATION	1	EA	
3	A2002497	DOOR GUIDE ANGLE VDSC	1	EA	
4	000623-000	DOOR GASKET(3/8"DIA.) (VDSC)	1	EA	
5	A2002367	DOOR GLASS BRKT	1	EA	
6	000268-000	HANDLE ENDCAP	1	EA	
Not Shown	PE030001PVD	END CAP DOOR HANDLE *BR	1	EA	
7	A2002930	DOOR INSUL. RET. FORMED	1	EA	
8	G50010123	VESO105/VEDO205 DR LINER SVC-KIT	1	EA	
9	000594-000	BLACK FIBERGLASS ROPE 3/8	1	EA	
10	PE060039	GLASS-HEAT TREATED (HB2) VDSC	1	EA	
11	PC020188	DOOR HINGE	1	EA	
12	A2002960	HINGE BRACKET - LH (VEDO/VESO)	1	EA	
13	A2002962	HINGE BRACKET - RH (VEDO/VESO)	1	EA	
14	PE060031	J-MOLD (LARGE WINDOW)	1	EA	
Not Shown	PE060045	J-MOLD (LARGE WINDOW) *BR*	1	EA	
15	PE060030	OUTER DOOR GLASS	1	EA	
16	B2002940	O/S DOOR PANEL *SS* (VEDO205)	1	EA	
Not Shown	C9002940*	OUTER DOOR PANEL - AL	1	EA	Not available online / Call for pricing and availability
17	J1002939	OVEN DR HEAT SINK (VESO/DO)	1	EA	
18	G50010123	VESO105/VEDO205 DR LINER SVC-KIT	1	EA	
19	E9102179	WINDOW LINER-SIDE (VDSC)	1	EA	



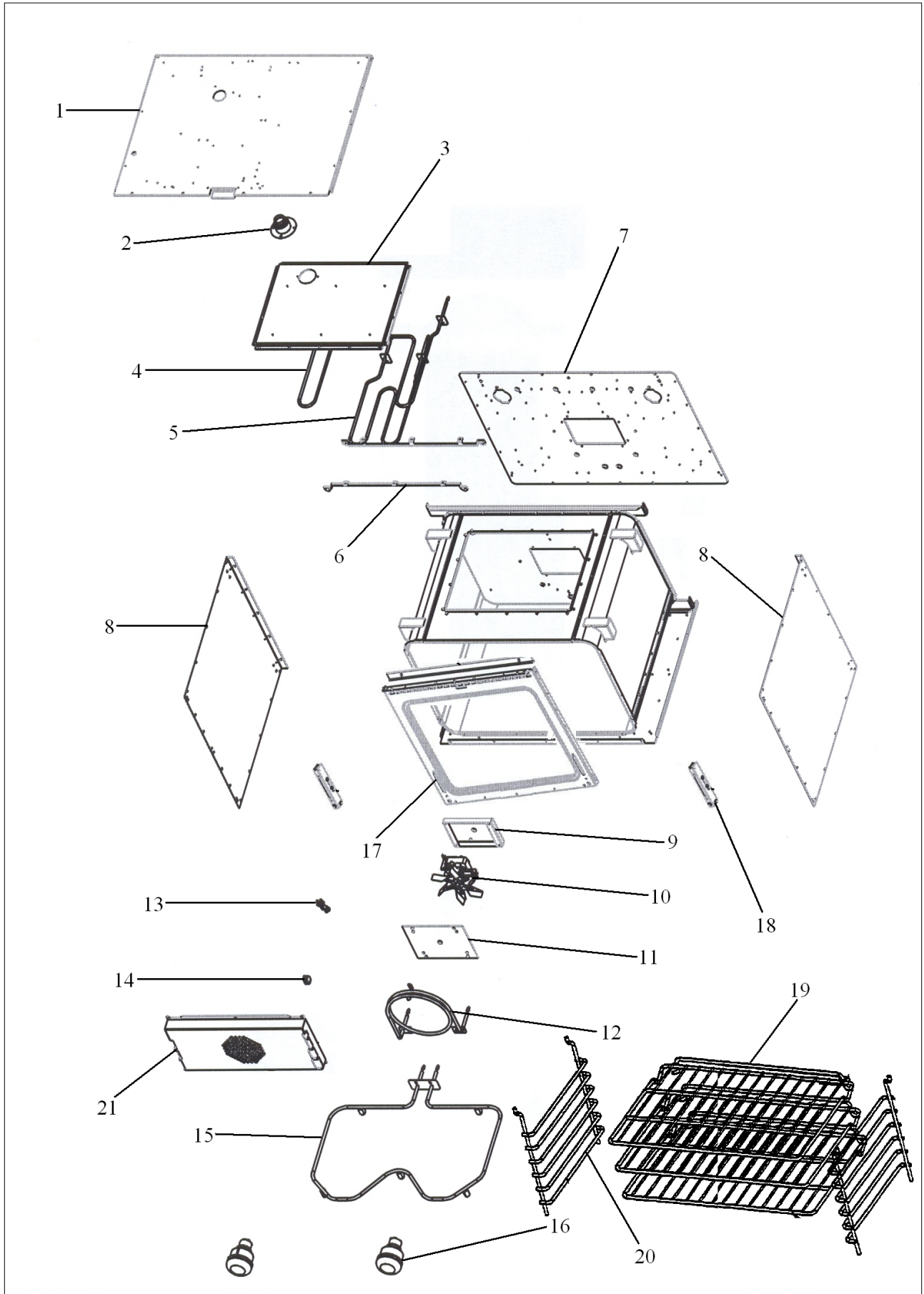


Item	Part No.	Name	Qty	Uom	NOTES
20	E9102178	WINDOW LINER-TOP/BTM (VDSC)	1	EA	
21	PE030036	DOOR HANDLE *SS* (VESO/VEDO) 26.935	1	EA	
Not Shown	F0002944BR	DOOR HANDLE-VEDO/VESO (CUT-TO-SIZE)	1	EA	NO LONGER AVAILABLE
NI	B1009167	HINGE CLIP	1	EA	

UPPER OVEN ASSY



Item	Part No.	Name	Qty	Uom	NOTES
1	A2002923	OVEN TOP INSUL. RET.	1	EA	NO LONGER AVAILABLE, Not available online / Call for pricing and availability
2	PM010014	SMOKE ELIMINATOR (VDSC)	1	EA	
3	B2002167	BROILER TOP (VDSC)	1	EA	NO LONGER AVAILABLE
4	PJ010002	BROIL ELEMENT(MAXI)-SIDE (VDSC)240V	1	EA	
5	PJ010001	BROIL ELEMENT 240V	1	EA	
6	B2002185	BROIL ELEMENT BRKT (VDSC)	1	EA	
7	A1002905	BACK INSULATION RETAINER - VESO/VEDO	1	EA	NO LONGER AVAILABLE, Not available online / Call for pricing and availability
8	A2002904	SIDE INSULATION RETAINER	1	EA	NO LONGER AVAILABLE, Not available online / Call for pricing and availability
9	A2002595	CONVECTION FAN BOX (VDSC)	1	EA	
10	PE050005	CONVECTION FAN ASSY	1	EA	
11	A1002596	CONVECTION FAN COVER (VDSC)	1	EA	
12	PJ010003	CONVECTION ELEMENT (VDSC) 240V	1	EA	
13	PE050115	MEAT PROBE JACK (SWITCHCRAFT'S PART# 3J1505)	1	EA	
<p>Comments for Part Num. PE050115</p> <p>bradleysapplianceservice@shaw.ca on May 8, 2017</p> <p>Meat probe is not illustrated on Parts Break Down.</p> <p>PE050114 MEAT PROBE</p>					
14	PM010160	MEAT PROBE JACK COVER (SWITCHCRAFT'S PART# 2C1098)	1	EA	
15	PJ010004	BAKE ELEMENT (VDSC) 240V	1	EA	
16	031449-000	LAMP, ASM	1	EA	
17	H9107881	30" UPPER FRONT FRAME	1	EA	Not available online / Call for pricing and availability





Item	Part No.	Name	Qty	Uom	NOTES
18	PC020016	HINGE RECEIVER (VEDO/VEDO)	1	EA	
19	PB060044	OVEN RK VDSC30/48RH REPL PB060019	1	EA	
20	PB060030	RACK SUPT REPL PB060010	1	EA	
21	E9102170	CONVECTION FAN COVER	1	EA	



Appendix A:Pages Index

FLOW CHART NEW BOARD BAKE 1
FLOW CHART NEW BOARD DOOR LOCK 2
FLOW CHART SELF CLEAN 3
LOWER DOOR ASSY 4
LOWER OVEN ASSY 5
REAR ASSEMBLY 6
TOP ASSY 7
TOP ASSY (10-24-04 TO 12-1-04) 8
UPPER DOOR ASSY 9
UPPER OVEN ASSY 10



Appendix B:Parts Index

000268-000	4, 9	A2006182	6
000594-000	4, 9	A2006199	6
000623-000	4, 9	A2006321	6
031449-000	5, 10	A2006322	6
A1002456	8, 8	A2006323	6
A1002596	5, 10	A2006324	6
A1002905	10	A2007906	7
A1002947	8	A2008526	7
A1006103	5	A2008527	7
A1006178	6	A2008543	7
A1006179	6	A2008557	7
A2002367	4, 9	A2008580	7
A2002497	4, 9	A2008581	6
A2002595	5, 10	A2008582	5, 6
A2002904	5, 10	A2009884	7
A2002906	8, 8	B1009167	4, 9
A2002909	8	B2002167	5, 10
A2002910	8	B2002185	10
A2002911	8	B2002931	4
A2002923	10	B2002940	4, 9
A2002926	8	B9208584	7
A2002930	4, 9	C9002931AL	4
A2002948	8	C9002931BK	4
A2002949	8	C9002931BT	4
A2002950	8	C9002931BU	4
A2002951	8	C9002931CB	4
A2002952	8	C9002931EP	4
A2002954	8	C9002931FG	4
A2002956	8	C9002931GG	4
A2002959	8	C9002931LE	4
A2002960	4, 9	C9002931LN	4
A2002962	4, 9	C9002931MJ	4
A2002964	8	C9002931PL	4
A2006048	6	C9002931SG	4
A2006088	5	C9002931VB	4
A2006090	5	C9002931WH	4
A2006109	7	C9002940*	9
A2006123	7	C9002940AL	4
A2006180	6	C9002940BK	4
A2006181	6	C9002940BT	4
		C9002940BU	4



C9002940CB	4	G3202937PL	4
C9002940EP	4	G3202937PLBR	4
C9002940FG	4	G3202937SG	4
C9002940GG	4	G3202937SGBR	4
C9002940LE	4	G3202937SS	4
C9002940LN	4	G3202937SSBR	4
C9002940MJ	4	G3202937VB	4
C9002940PL	4	G3202937VBBR	4
C9002940SG	4	G3202937WH	4
C9002940VB	4	G3202937WHBR	4
C9002940WH	4	G3202938**^	9
C9208584BK	7	G3202938AL	4
C9208584WH	7	G3202938ALBR	4
E9102170	5, 10	G3202938BK	4
E9102178	4, 9	G3202938BKBR	4
E9102179	4, 9	G3202938BT	4
E9102908	8	G3202938BTBR	4
F0002944BR	4, 9	G3202938BU	4
G3008411	8	G3202938BUBR	4
G3202937AL	4	G3202938CB	4
G3202937ALBR	4	G3202938CBBR	4
G3202937BK	4	G3202938EP	4
G3202937BKBR	4	G3202938EPBR	4
G3202937BT	4	G3202938FG	4
G3202937BTBR	4	G3202938FGBR	4
G3202937BU	4	G3202938GG	4
G3202937BUBR	4	G3202938GGBR	4
G3202937CB	4	G3202938LE	4
G3202937CBBR	4	G3202938LEBR	4
G3202937EP	4	G3202938LN	4
G3202937EPBR	4	G3202938LNBR	4
G3202937FG	4	G3202938MJ	4
G3202937FGBR	4	G3202938MJBR	4
G3202937GG	4	G3202938PL	4
G3202937GGBR	4	G3202938PLBR	4
G3202937LE	4	G3202938SG	4
G3202937LEBR	4	G3202938SGBR	4
G3202937LN	4	G3202938SS	4
G3202937LNBR	4	G3202938SSBR	4
G3202937MJ	4	G3202938VB	4
G3202937MJBR	4	G3202938VBBR	4



G3202938WH	4	PE050115	5, 10
G3202938WHBR	4	PE050213	7
G50010123	4, 4, 9, 9	PE060030	4, 9
G5002958	8	PE060031	4, 9
H9107881	10	PE060039	4, 9
H9107882	5	PE060045	4, 9
J1002939	4, 9	PE070147	7, 8
PB010148	7	PE070148	8
PB010149	7	PE070308	8
PB010150	7	PE070317	8
PB010151	7	PE070786	7
PB010152	7	PE110024	8
PB010153	7	PE110031	8
PB010165	7	PJ010001	5, 5, 10
PB010166	7	PJ010002	5, 10
PB010246	7	PJ010003	5, 10
PB010247	7	PJ010004	10
PB010248	7	PJ030001	7
PB010249	7	PJ030002	7, 8
PB020117	5	PJ030005	8
PB060030	5, 10	PJ030006	8
PB060044	5, 10	PJ030010	7
PB070034	4, 9	PJ030022	5
PB070038	4, 9	PJ030030	7
PC020016	5, 10	PM010014	5, 10
PC020188	4, 9	PM010029	8, 8
PD030033	8	PM010160	5, 10
PE010016	4	PS500033	7
PE010017	4		
PE010079	4		
PE010080	4		
PE030001PVD	4, 9		
PE030036	4, 9		
PE040209	7		
PE050005	5, 10		
PE050019	7		
PE050023	7		
PE050024	7		
PE050059	7		
PE050087	5, 7		
PE050112	7, 8		