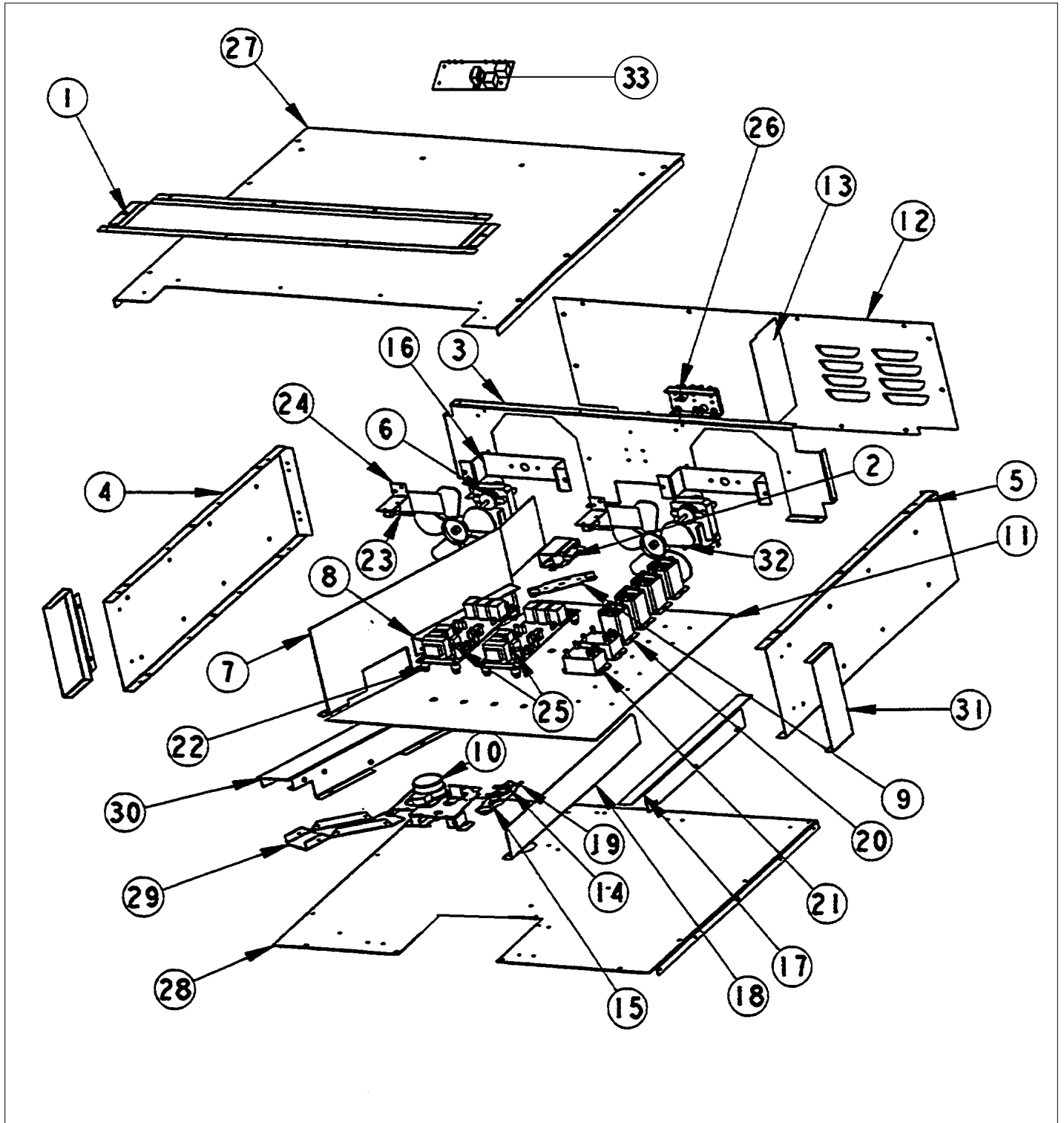


VEDO205

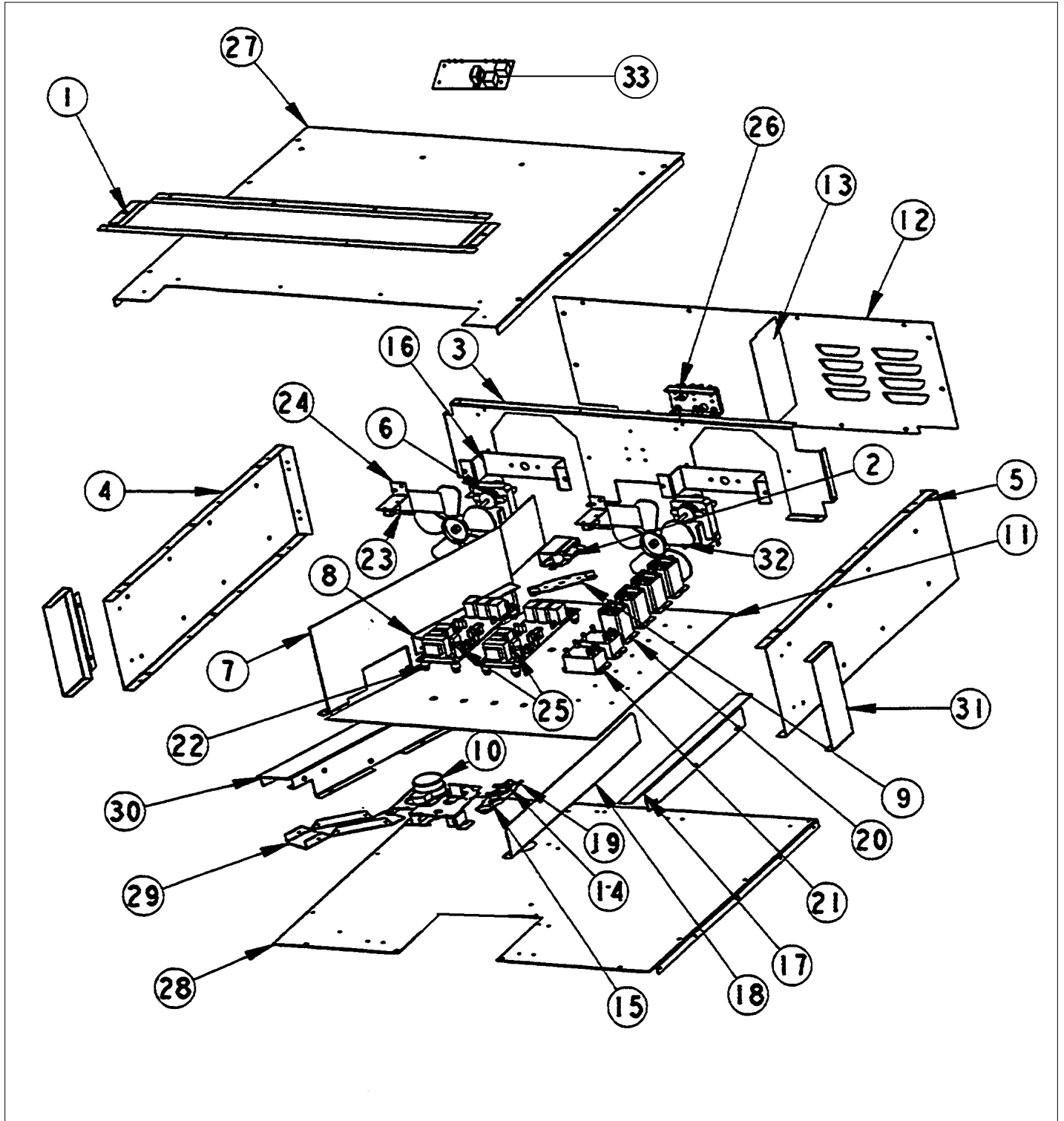
CABINET ASSEMBLY	1
CONTROL PANEL ASSY	2
DOOR ASSEMBLY	3
LOWER OVEN	4
UPPER OVEN	5
WIRING	6
Appendix A:Pages Index	A
Appendix B:Parts Index	B

CABINET ASSEMBLY



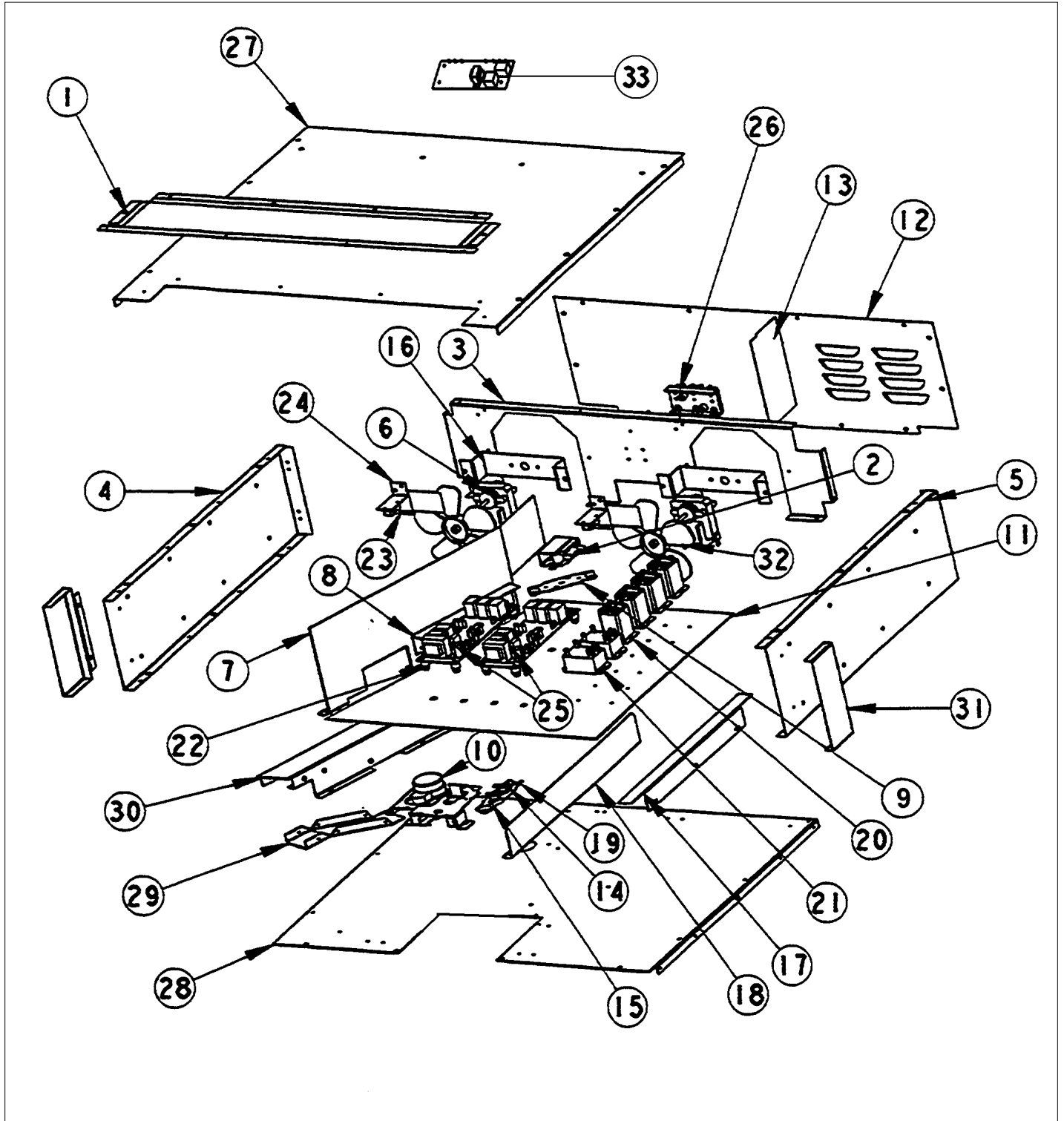


Item	Part No.	Name	Qty	Uom	NOTES
1	E9102908	AIR VENT (VESO/VEDO)		EA	NO LONGER AVAILABLE
2	PJ030002	AUTO RESET (SELF-CLEAN) VDSC		EA	
3	A2002926	CABINET BACK - VEDO205		EA	NO LONGER AVAILABLE, Not available online / Call for pricing and availability
4	A2002906	CABINET SIDE		EA	NO LONGER AVAILABLE, Not available online / Call for pricing and availability
5	A2002906	CABINET SIDE		EA	NO LONGER AVAILABLE, Not available online / Call for pricing and availability
6	PE110024	MOTOR FAN Y0042226		EA	NO LONGER AVAILABLE
7	A2002950	DIVIDER - VESO/VEDO		EA	NO LONGER AVAILABLE, Not available online / Call for pricing and availability
8	A2002956	FLOOR BRACE - VEDO205/VESO105		EA	NO LONGER AVAILABLE, Not available online / Call for pricing and availability
9	A1002456	THERMO-DISC BRKT (VDSC)		EA	
10	PE050053	DR LATCH REPL PE050020		EA	
Not Shown	NOTE	(Before 10-1-02)		EA	
10	PE050112	DOOR LATCH		EA	
Not Shown	NOTE	(After 10-1-02)		EA	
11	A2002949	FALSE FLOOR - VESO/VEDO		EA	NO LONGER AVAILABLE, Not available online / Call for pricing and availability
12	A1002947	FAN COVER - VESO		EA	NO LONGER AVAILABLE, Not available online / Call for pricing and availability





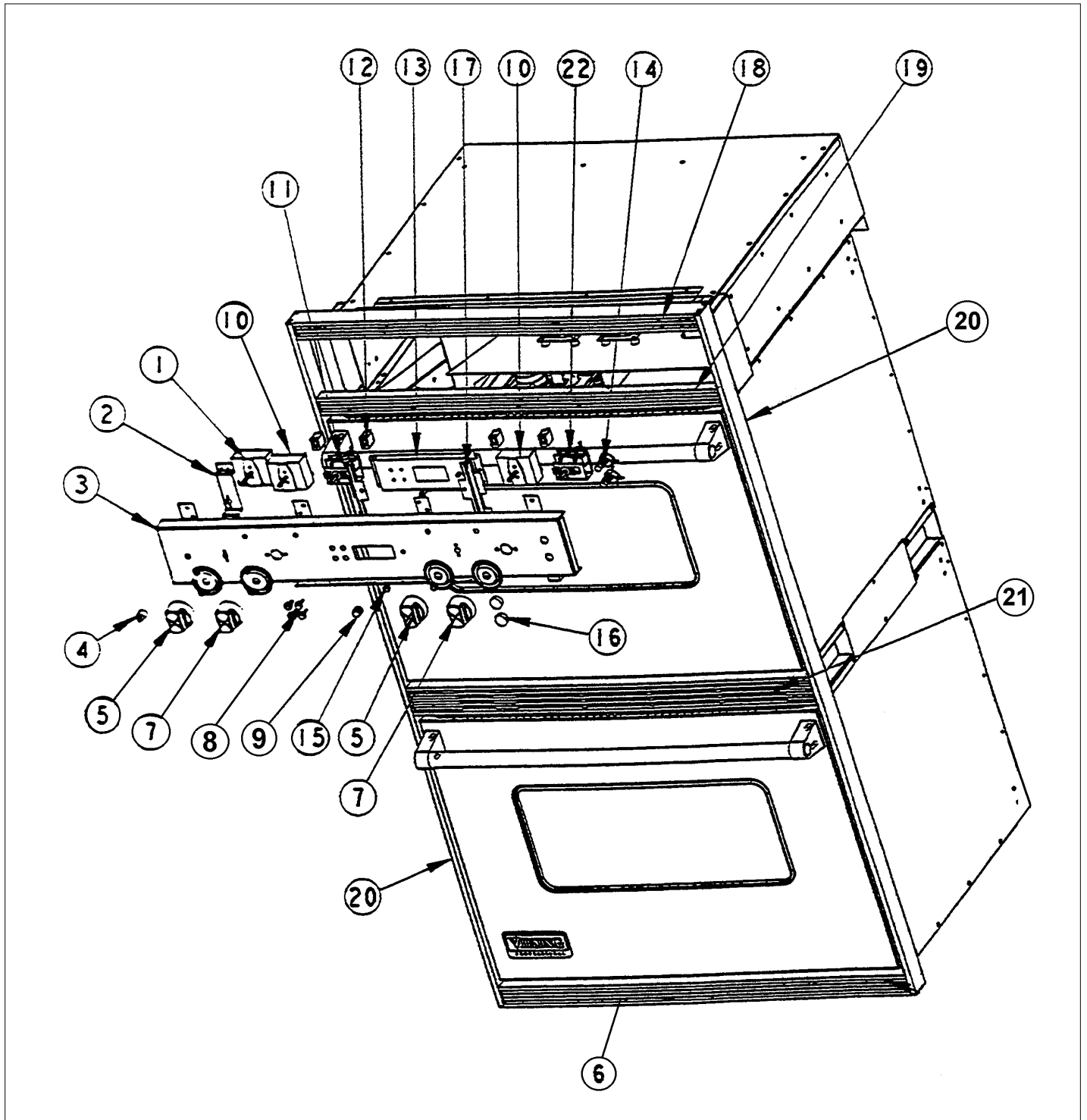
Item	Part No.	Name	Qty	Uom	NOTES
13	A2002948	FAN DIVIDER - VESO/VEDO		EA	NO LONGER AVAILABLE, Not available online / Call for pricing and availability
14	PJ030005	SWITCH (HIGH-LIMIT) VDSC		EA	
15	PJ030006	SWITCH (COOLING FAN)		EA	
16	A2002911	FAN MTG BRKT		EA	NO LONGER AVAILABLE
17	A2002952	FLOOR BRACE - VESO/VEDO		EA	NO LONGER AVAILABLE, Not available online / Call for pricing and availability
18	A2002951	FLOOR SUPT - VESO/VEDO		EA	NO LONGER AVAILABLE, Not available online / Call for pricing and availability
19	A1002456	THERMO-DISC BRKT (VDSC)		EA	
20	PM010029	RELAY (DOUBLE POLE-DOUBLE THROW)TEM		EA	
21	PM010129	RELAY		EA	
22	PD030033	GROMMET NUT-ROUND HD. #8 X .500DIA.		EA	
23	G5002958	SAIL SWITCH ASSY (VESO/VEDO)		EA	
24	A2002959	SAIL SWITCH MNTG. BRKT. (VESO/VEDO)		EA	
25	PE070148	SELF-CLEAN BOARD/TIMER (VDSC)		EA	
26	PE070147	TERMINAL BLOCK (VDSC)		EA	
27	A2002964	TOP COVER (VESO105)		EA	
28	G3008411	TOP INSULATION RETAINER ASSY		EA	Not available online / Call for pricing and availability
29	A2002909	VENT BTM		EA	NO LONGER AVAILABLE
30	A2002910	VENT TOP		EA	NO LONGER AVAILABLE
31	A2002954	CABINET COVER		EA	NO LONGER AVAILABLE, Not available online / Call for pricing and availability



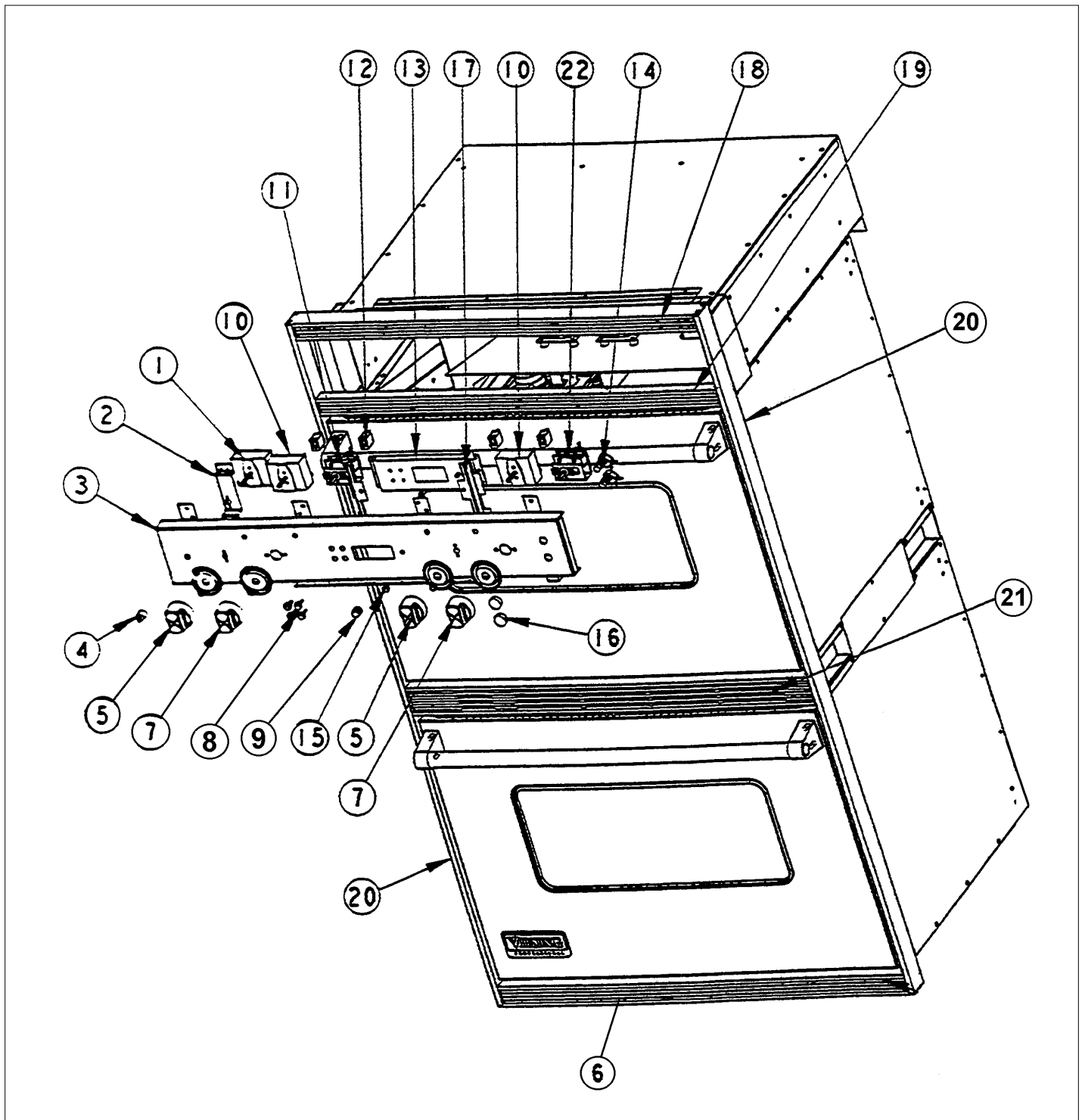


Item	Part No.	Name	Qty	Uom	NOTES
32	PE110031	BLADE FAN Y0314548		EA	NO LONGER AVAILABLE
33	G5007602	PRE-HEAT BOARD KIT (VEDO205/276)		EA	
Not Shown	NOTE	(Before 1/16/03)		EA	
Not Shown	PE070308	PRE-HEAT BOARD		EA	
Not Shown	NOTE	(After 1/16/03)		EA	
NI	PE070317	VEDO/VESO PREHEAT HARNESS		EA	Not available online / Call for pricing and availability
NI	PE070246	20 WATT 100 OHM RESISTOR		EA	

CONTROL PANEL ASSY

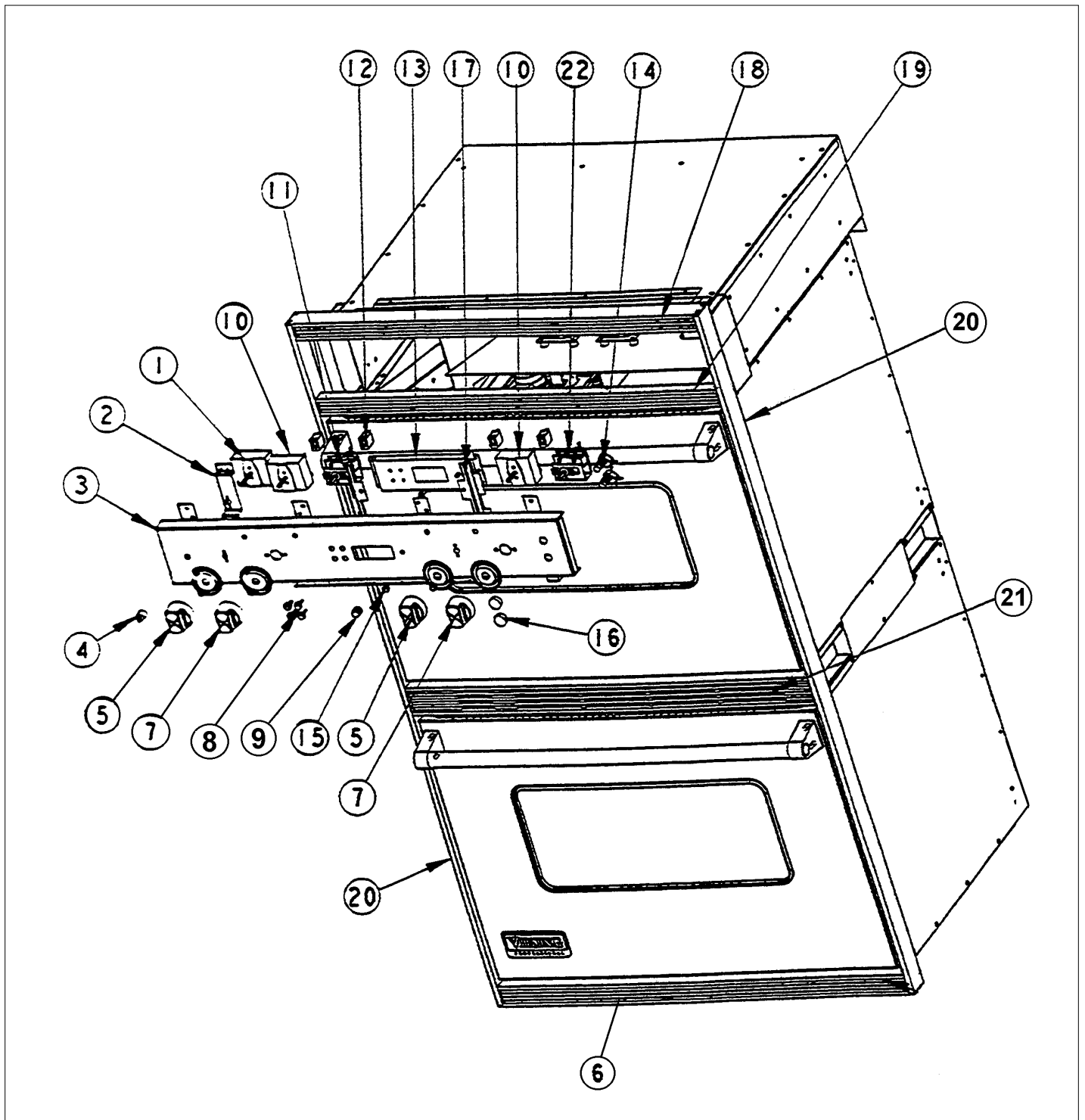


Item	Part No.	Name	Qty	Uom	NOTES
1	PJ030010	SELECTOR SWITCH (3-POSITION)VEDO205	1	EA	
2	A2002932	MANUAL TIME BRKT (VEDO/VESO)	1	EA	NO LONGER AVAILABLE, Not available online / Call for pricing and availability
3	B9204535	CONTROL PANEL - SS (OLD STYLE)	1	EA	
Not Shown	NOTE	(BEFORE 02/05/97)		EA	
Not Shown	C9204535BK	SUB TO G5004541 - CLOCK CONVERSION KIT	1	EA	NO LONGER AVAILABLE, Not available online / Call for pricing and availability
Not Shown	NOTE	(BEFORE 02/05/97)		EA	
Not Shown	C9204535WH	SUB TO G5004540 - CLOCK CONVERSION KIT	1	EA	NO LONGER AVAILABLE, Not available online / Call for pricing and availability
Not Shown	NOTE	(BEFORE 02/05/97)		EA	
Not Shown	B9202924	CTRL PAN (VEDO205) *SS* *SLK SCR*	1	EA	
Not Shown	NOTE	(AFTER 02/05/97)		EA	
Not Shown	C9202924BK	CTRL PAN *BK* (VEDO205) *SLK SCR*	1	EA	
Not Shown	NOTE	(AFTER 02/05/97)		EA	
Not Shown	C9202924WH	CTRL PAN *WH* (VEDO205) *SLK SCR*	1	EA	NO LONGER AVAILABLE
Not Shown	NOTE	(AFTER 02/05/97)		EA	
4	PB010165	TIME MANUAL KNOB *BK* (VESO/VEDO)	1	EA	
Not Shown	PB010166	TIME MANUAL KNOB *WH* (VESO/VEDO)	1	EA	
5	G5004515BK	SELECTOR KNOB ASSY KIT(VEDO205)*BK*	1	EA	
Not Shown	G5004515BKBR	SELECTOR KNOB ASSEMBLY - BKBR	1	EA	
Not Shown	G5004516WH	SELECTOR KNOB ASSY. KIT(VEDO205)*WH	1	EA	

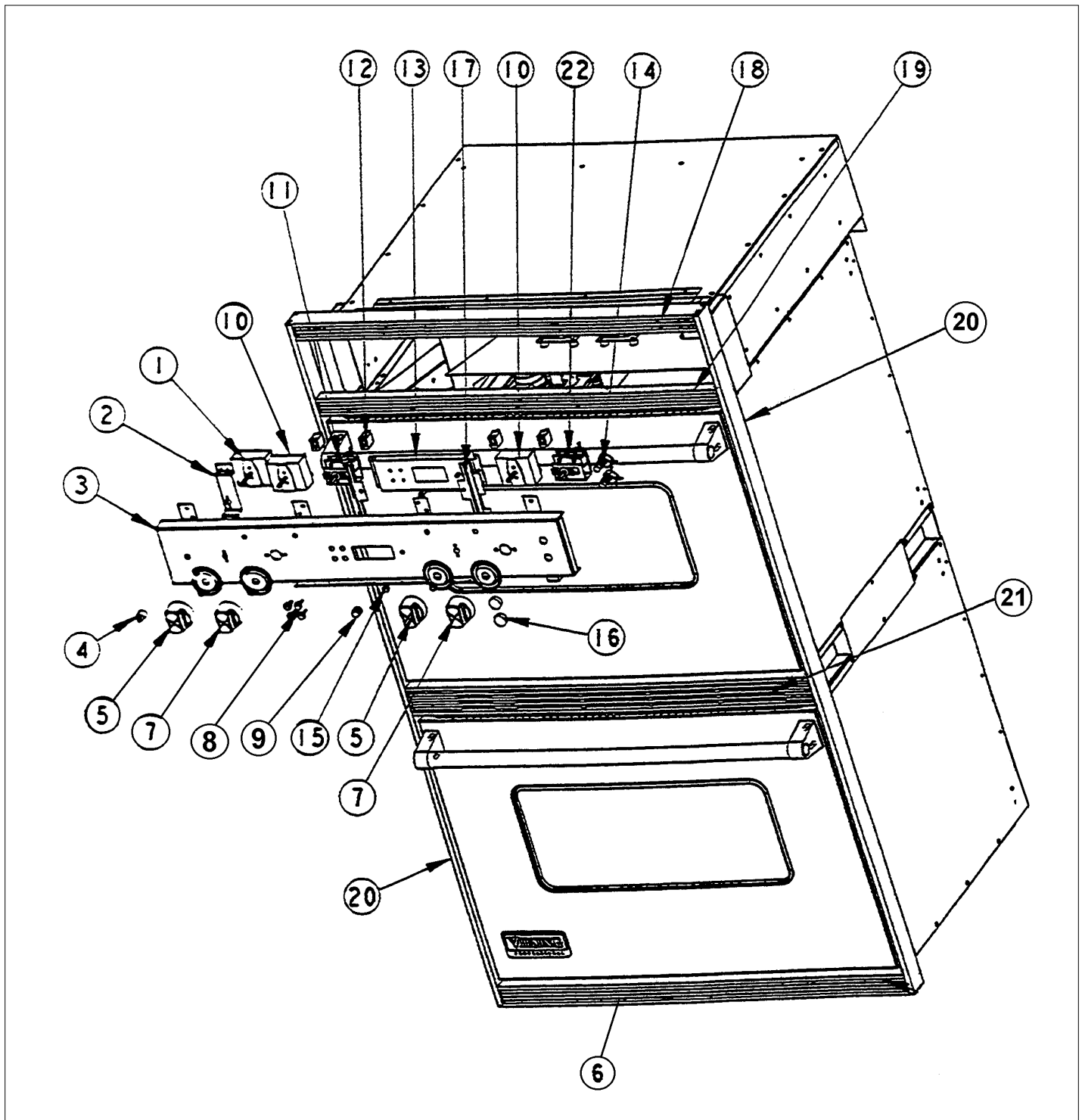




Item	Part No.	Name	Qty	Uom	NOTES
Not Shown	G5004516WHBR	SELECTOR KNOB ASSY KIT(DO205)*WH*BR	1	EA	NO LONGER AVAILABLE, Not available online / Call for pricing and availability
6	PE040074	BTM TRIM-EXTRUDED (VESO105/VEDO2	1	EA	
7	G5004518BK	THERMOSTAT KNOB ASSY (VEDO205) *BK*	1	EA	
Not Shown	G5004518BKBR	THERMOSTAT KNOB ASSEMBLY - BKBR	1	EA	
Not Shown	G5004518WH	THERMOSTAT KNOB ASSY (VEDO205) *WH*	1	EA	
Not Shown	G5004518WHBR	THERMOSTAT KNOB ASSY(VEDO205)*WHBR*	1	EA	NO LONGER AVAILABLE, Not available online / Call for pricing and availability
8	PB010185BK	CLOCK BUTTON *BK* (VESO/VEDO)	4	EA	NO LONGER AVAILABLE
Not Shown	PB010185	CLOCK BUTTON *WH* (VESO/VEDO)	4	EA	
9	PB010184BK	CLOCK SET KNOB *BK* (VESO/VEDO) - NLA	1	EA	
PB010184WH	PB010184	CLOCK SET KNOB - WH	1	EA	
10	PJ030001	SELECTOR SWITCH (8-POSITION) VDSC	1	EA	
11	PJ030003	THERMOSTAT (SELF CLEAN) VDSC	1	EA	
<p>Comments for Part Num. PJ030003</p> <p>boltz on Nov 21, 2017 See Bulletin 2005-03 Reply by steves@bendbroadband.com on Apr 10, 2018 what bulletin? bulletin should linked here. Reply by bradleysapplianceservice@shaw.ca on Sep 27, 2018 If you have access to Documoto then all you have to do is either run the part number PJ030003 or service bulletin number 2005-03AS in the main search field and all your answer will be there. It's Simple.</p>					
12	PE050024	OVEN IND. LIGHT (LIGHT HOUSING)	1	EA	



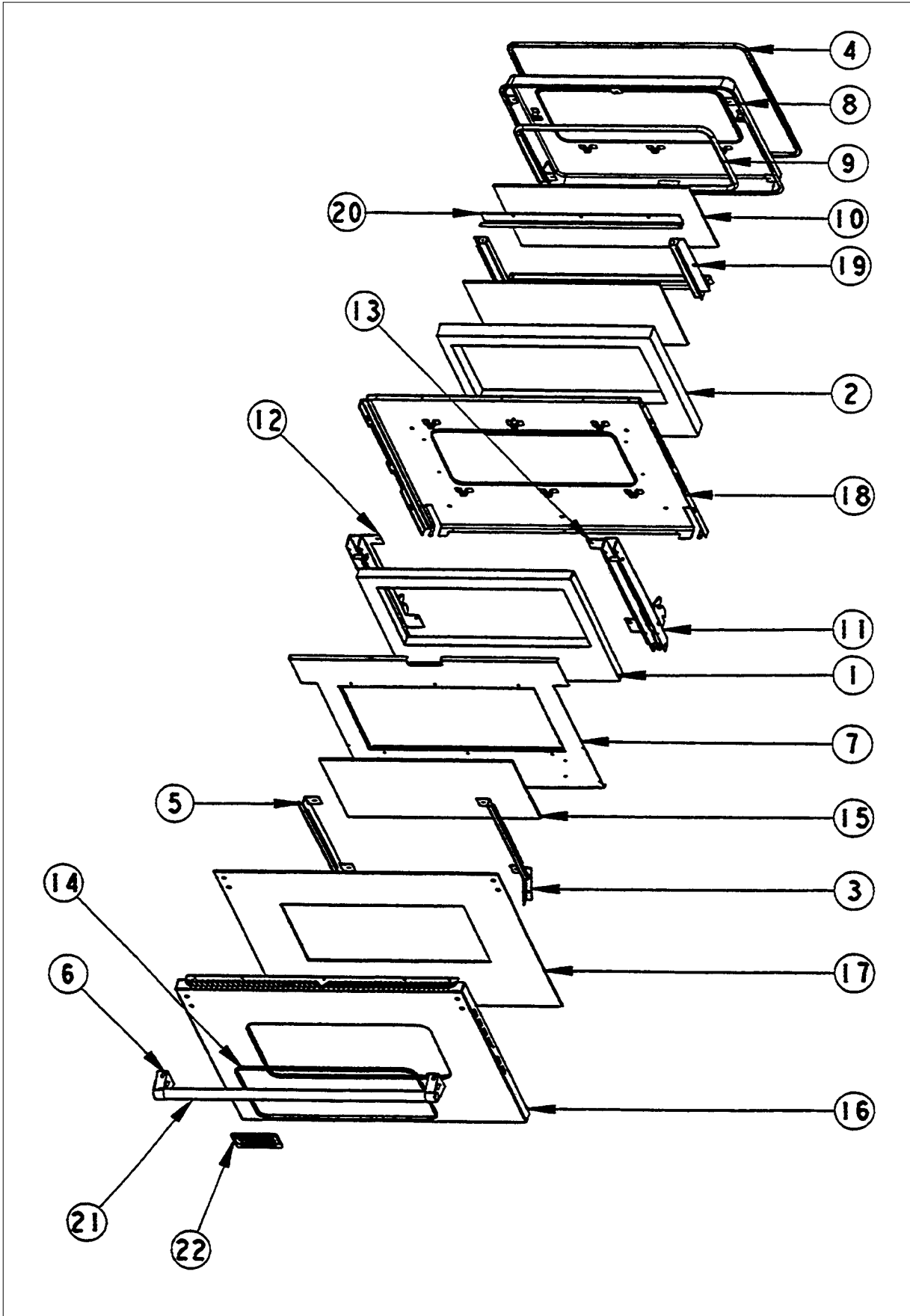
Item	Part No.	Name	Qty	Uom	NOTES
Comments for Part Num. PE050024					
haarnink@vikingrange.com on Jan 14, 2019					
please note that the indicator light is now part 043135-000 but needs the Jumper harness 051443-000. and second option there are units in the field with a 230V indicator light part number 036566-000.					
please check this for all "E" module ranges/Tops					
13	PE050049	CLOCK/TIMER(ROBERTSHAW# 100-00550-01	1	EA	NO LONGER AVAILABLE
Not Shown	NOTE	(AFTER SERIAL # B04109800901)		EA	
Not Shown	G5004539	CONV. KIT CLOCK	1	EA	NO LONGER AVAILABLE
Not Shown	NOTE	(BEFORE SERIAL # B04109800901)		EA	
Not Shown	G5004540	VEDO205WH CLOCK CONVERSION KIT	1	EA	NO LONGER AVAILABLE
Not Shown	NOTE	(BEFORE SERIAL # B04109800901)		EA	
Not Shown	G5004541	VEDO205BK CLOCK CONVERSION KIT	1	EA	NO LONGER AVAILABLE
Not Shown	NOTE	(BEFORE SERIAL # B04109800901)		EA	
14	PE050019	OVEN LIGHT SWITCH (VGSO166) 90-DEG.	1	EA	
15	PE050023	OVEN IND. LIGHT (LENS & BEZEL)	1	EA	
16	PB010163	OVEN LIGHT SWITCH KNOB *BK* (VESO/D	1	EA	
Not Shown	PB010164	OVEN LIGHT SWITCH KNOB *WH* (VESO/D	1	EA	
17	A2002913	CLOCK MTG BRKT	1	EA	
18	PE040073	TOP TRIM-EXTRUDED (VESO105/VEDO205)	1	EA	
19	PE040076	PANEL VENT TRIM-EXTRUDED (VESO/VEDO	1	EA	
20	PE040069	SIDE TRIM-EXTRUDED (VEDO205)	1	EA	NO LONGER AVAILABLE
21	PE040075	CENTER TRIM-EXTRUDED (VEDO205)	1	EA	
22	PJ030012	THERMOSTAT (SELF-CLEAN) VESO/VEDO	1	EA	See Bulletin 2005-03





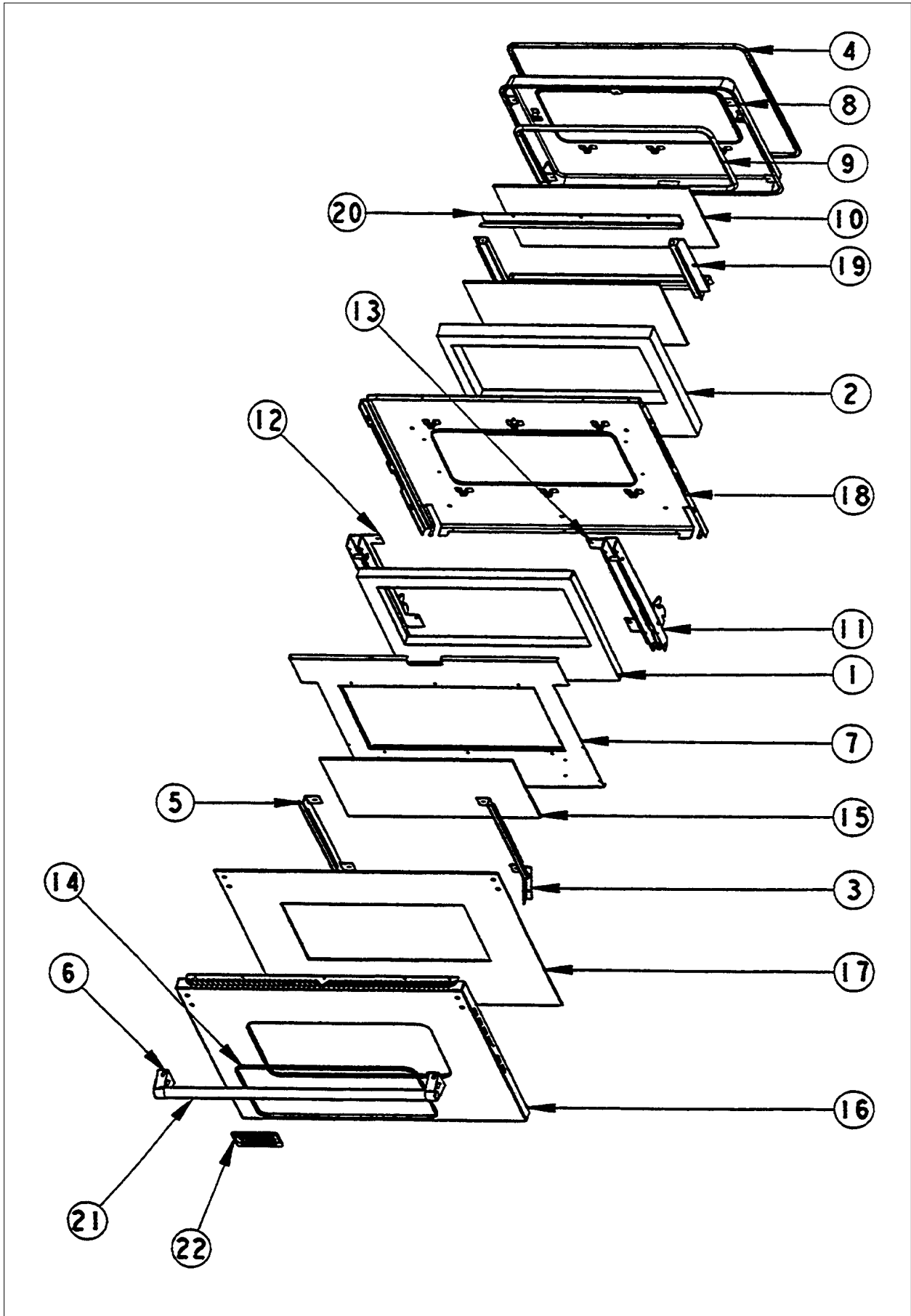
Item	Part No.	Name	Qty	Uom	NOTES
Comments for Part Num. PJ030012					
boltz on Nov 21, 2017					
See Bulletin 2005-03					

DOOR ASSEMBLY

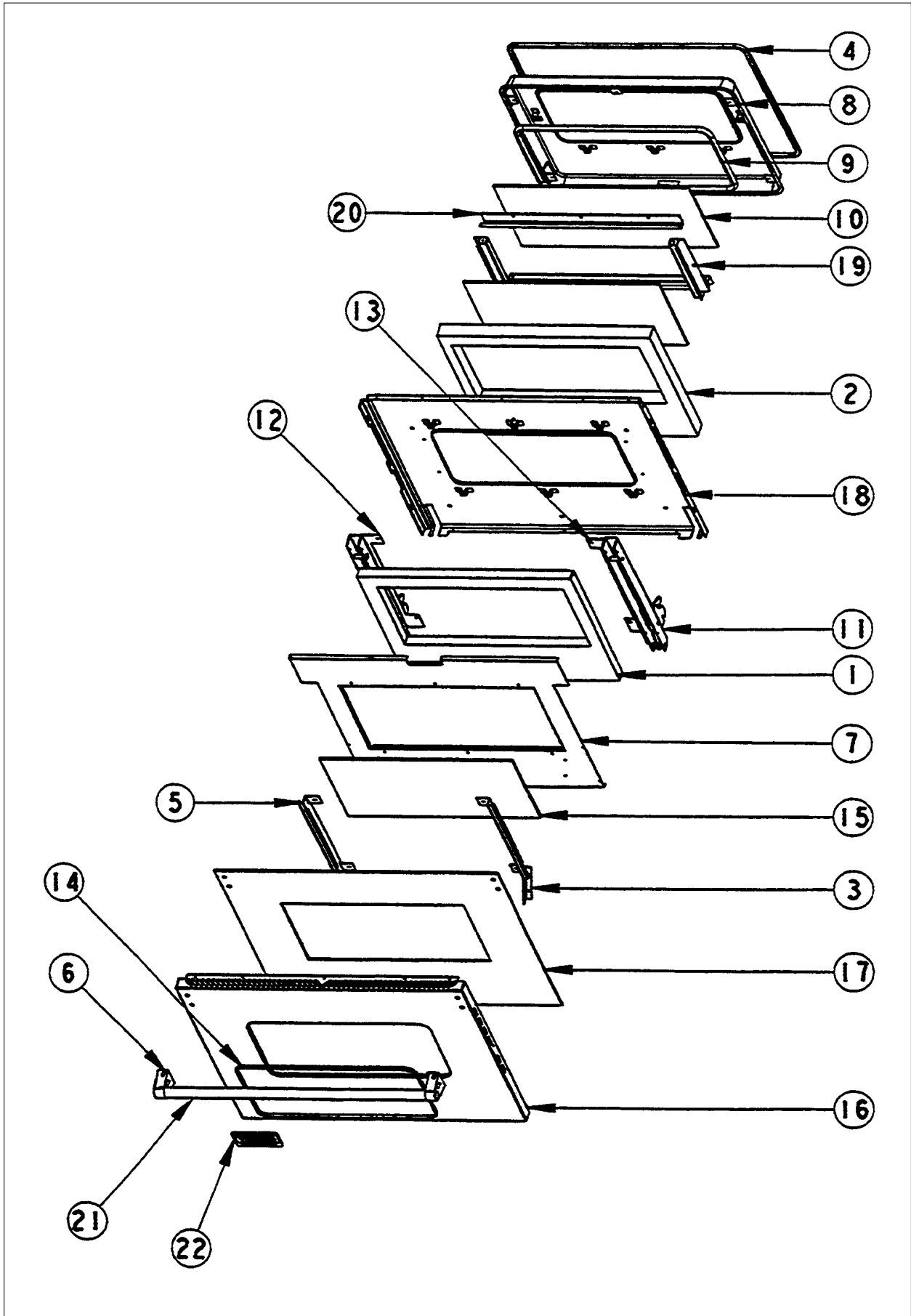




Item	Part No.	Name	Qty	Uom	NOTES
NI	G3202938AL	UPPER DOOR ASSY *AL* (VEDO)	1	EA	NO LONGER AVAILABLE, Not available online / Call for pricing and availability
Not Shown	G3202938ALBR	UPPER DOOR ASSY *AL**BR* (VEDO)	1	EA	NO LONGER AVAILABLE, Not available online / Call for pricing and availability
Not Shown	G3202938BK	UPPER DOOR ASSY *BK* (VEDO)	1	EA	NO LONGER AVAILABLE, Not available online / Call for pricing and availability
Not Shown	G3202938BKBR	UPPER DOOR ASSY *BK*BR* (VEDO)	1	EA	NO LONGER AVAILABLE, Not available online / Call for pricing and availability
Not Shown	G3202938BT	UPPER DOOR ASSY *BT* (VEDO)	1	EA	NO LONGER AVAILABLE
Not Shown	G3202938BTBR	UPPER DOOR ASSY *BT**BR* (VEDO)	1	EA	NO LONGER AVAILABLE, Not available online / Call for pricing and availability
Not Shown	G3202938BU	UPPER DOOR ASSY *BU* (VEDO)	1	EA	NO LONGER AVAILABLE, Not available online / Call for pricing and availability
Not Shown	G3202938BUBR	UPPER DOOR ASSY *BU**BR* (VEDO)	1	EA	NO LONGER AVAILABLE, Not available online / Call for pricing and availability
Not Shown	G3202938CB	UPPER DOOR ASSY *CB* (VEDO)	1	EA	NO LONGER AVAILABLE, Not available online / Call for pricing and availability
Not Shown	G3202938CBBR	UPPER DOOR ASSY *CB**BR* (VEDO)	1	EA	NO LONGER AVAILABLE, Not available online / Call for pricing and availability
Not Shown	G3202938EP	UPPER DOOR ASSY *EP* (VEDO)	1	EA	NO LONGER AVAILABLE, Not available online / Call for pricing and availability

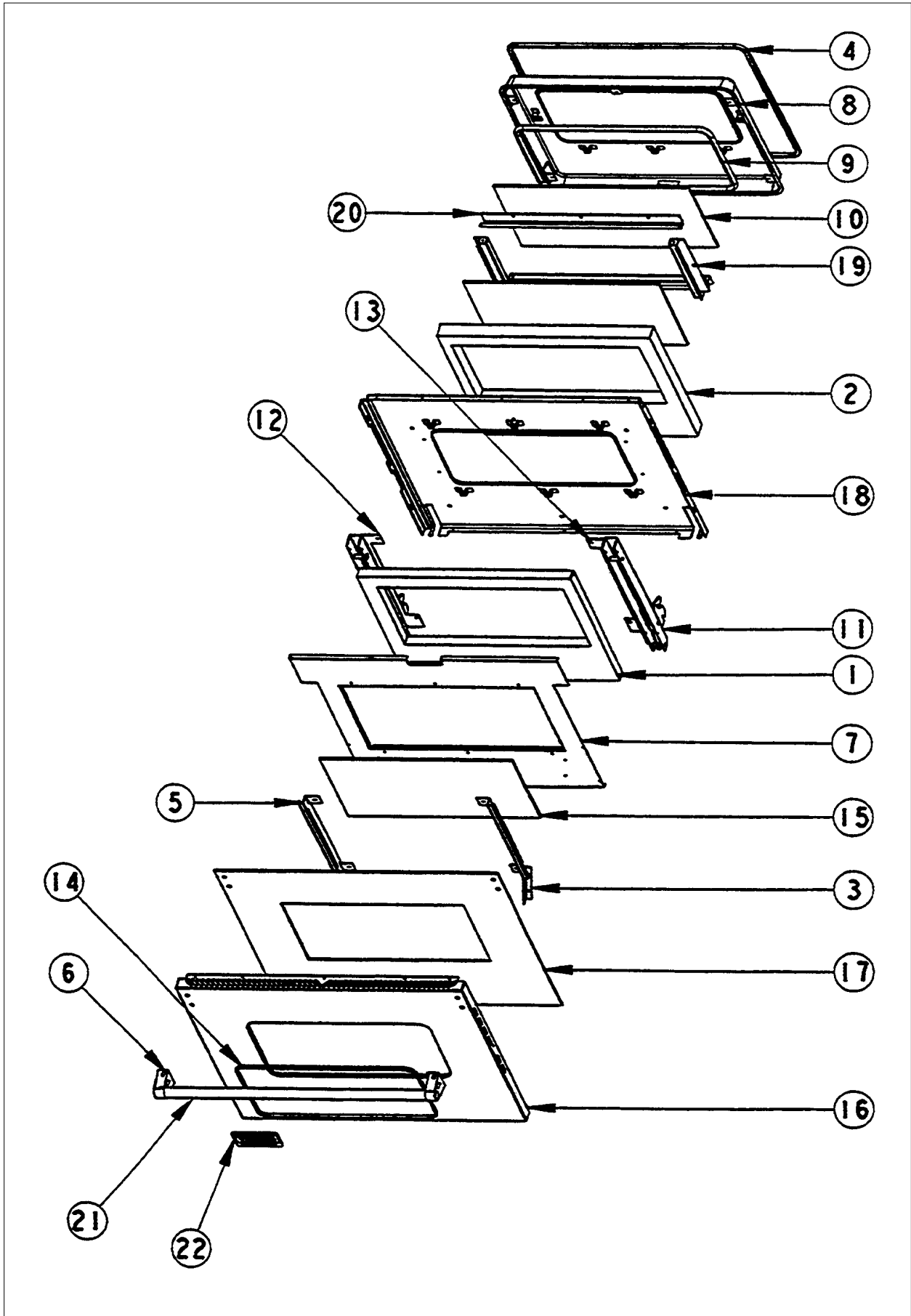


Item	Part No.	Name	Qty	Uom	NOTES
Not Shown	G3202938EPBR	UPPER DOOR ASSY *EP**BR* (VEDO)	1	EA	NO LONGER AVAILABLE, Not available online / Call for pricing and availability
Not Shown	G3202938FG	UPPER DOOR ASSY *FG* (VEDO)	1	EA	NO LONGER AVAILABLE, Not available online / Call for pricing and availability
Not Shown	G3202938FGBR	UPPER DOOR ASSY *FG**BR* (VEDO)	1	EA	NO LONGER AVAILABLE, Not available online / Call for pricing and availability
Not Shown	G3202938GG	UPPER DOOR ASSY *GG* (VEDO)	1	EA	NO LONGER AVAILABLE, Not available online / Call for pricing and availability
Not Shown	G3202938GGBR	UPPER DOOR ASSY *GG*BR* (VEDO)	1	EA	NO LONGER AVAILABLE, Not available online / Call for pricing and availability
Not Shown	G3202938LE	UPPER DOOR ASSY *LE* (VEDO)	1	EA	NO LONGER AVAILABLE, Not available online / Call for pricing and availability
Not Shown	G3202938LEBR	UPPER DOOR ASSY *LE**BR* (VEDO)	1	EA	NO LONGER AVAILABLE, Not available online / Call for pricing and availability
Not Shown	G3202938LN	UPPER DOOR ASSY *LN* (VEDO)	1	EA	NO LONGER AVAILABLE, Not available online / Call for pricing and availability
Not Shown	G3202938LNBR	UPPER DOOR ASSY *LN*BR* (VEDO)	1	EA	NO LONGER AVAILABLE, Not available online / Call for pricing and availability
Not Shown	G3202938MJ	UPPER DOOR ASSY *MJ* (VEDO)	1	EA	NO LONGER AVAILABLE, Not available online / Call for pricing and availability
Not Shown	G3202938MJBR	UPPER DOOR ASSY *MJ**BR* (VEDO)	1	EA	NO LONGER AVAILABLE, Not available online / Call for pricing and availability

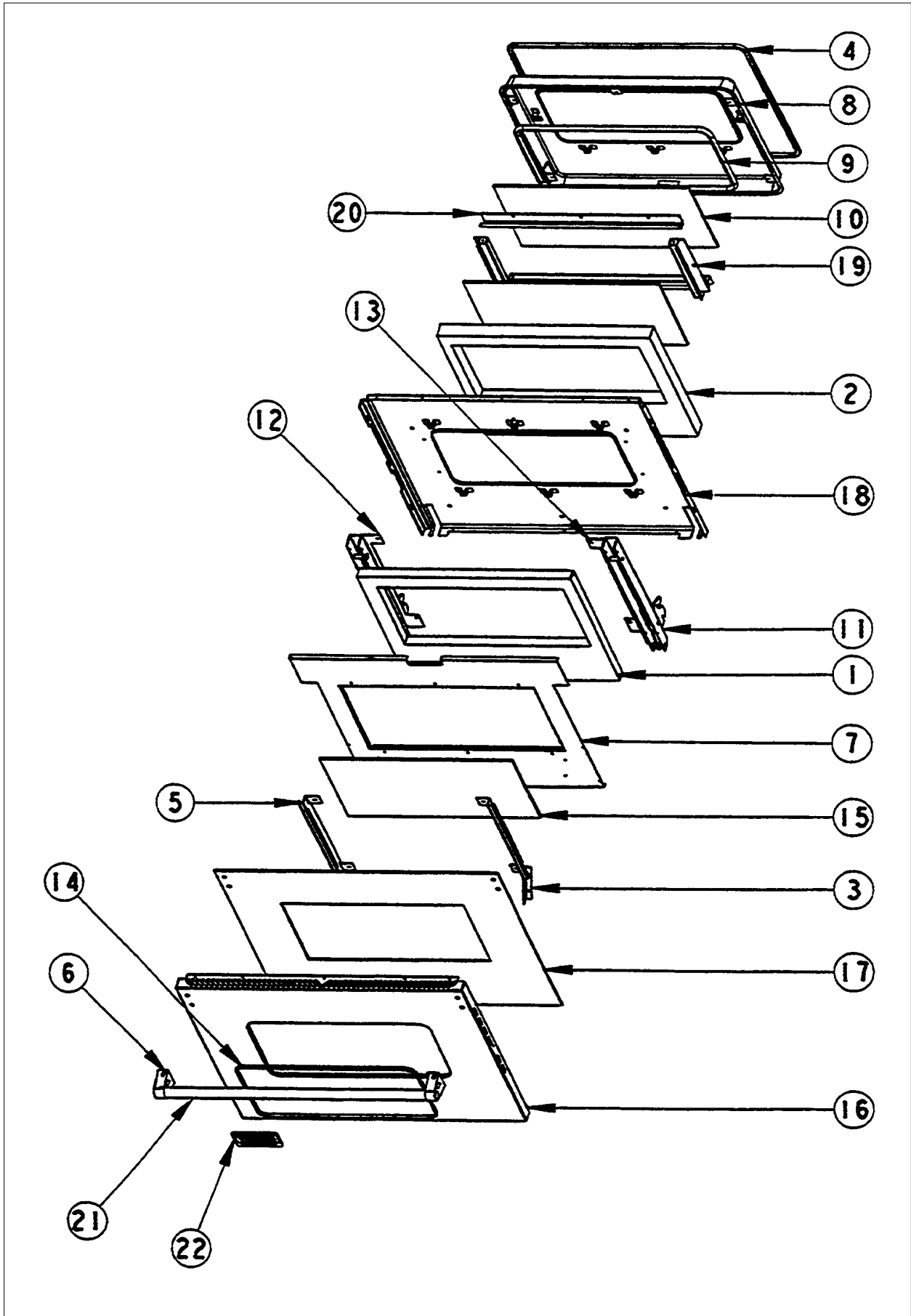




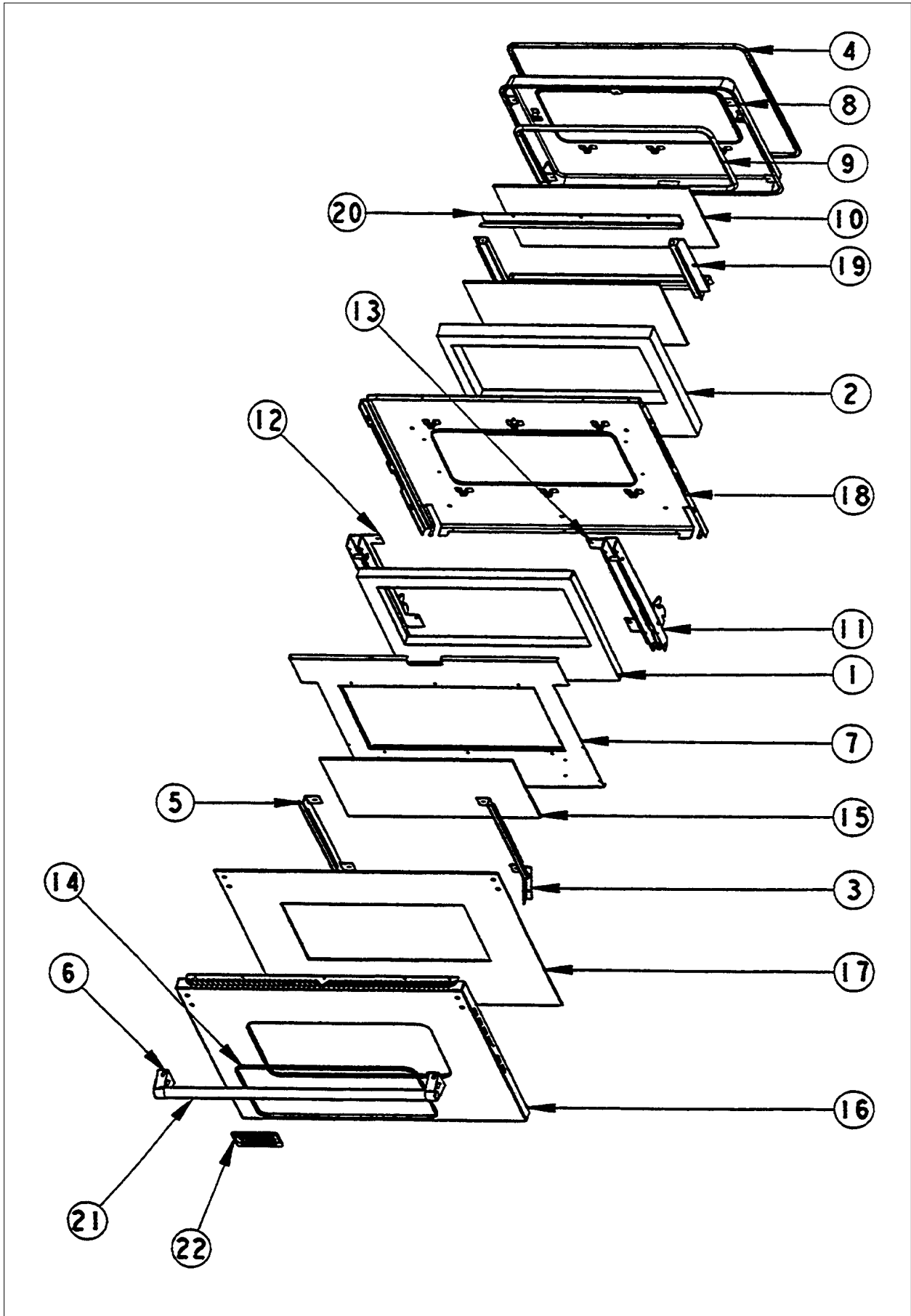
Item	Part No.	Name	Qty	Uom	NOTES
Not Shown	G3202938PL	UPPER DOOR ASSY *PL* (VEDO)	1	EA	NO LONGER AVAILABLE, Not available online / Call for pricing and availability
Not Shown	G3202938PLBR	UPPER DOOR ASSY *PL**BR* (VEDO)	1	EA	NO LONGER AVAILABLE, Not available online / Call for pricing and availability
Not Shown	G3202938SG	UPPER DOOR ASSY *SG* (VEDO)	1	EA	NO LONGER AVAILABLE, Not available online / Call for pricing and availability
Not Shown	G3202938SGBR	UPPER DOOR ASSY *SG**BR* (VEDO)	1	EA	NO LONGER AVAILABLE, Not available online / Call for pricing and availability
Not Shown	G3202938SS	UPPER DOOR ASSY *SS* (VEDO)	1	EA	NO LONGER AVAILABLE
Not Shown	G3202938SSBR	UPPER DOOR ASSY *SS**BR* (VEDO)	1	EA	NO LONGER AVAILABLE
Not Shown	G3202938VB	UPPER DOOR ASSY *VB* (VEDO)	1	EA	NO LONGER AVAILABLE, Not available online / Call for pricing and availability
Not Shown	G3202938VBBR	UPPER DOOR ASSY *VB**BR* (VEDO)	1	EA	NO LONGER AVAILABLE, Not available online / Call for pricing and availability
Not Shown	G3202938WH	UPPER DOOR ASSY *WH* (VEDO)	1	EA	NO LONGER AVAILABLE
Not Shown	G3202938WHBR	UPPER DOOR ASSY *WH**BR* (VEDO)	1	EA	NO LONGER AVAILABLE, Not available online / Call for pricing and availability
Not Shown	G3202937AL	DOOR ASSY *AL* (VESO/VEDO)	1	EA	NO LONGER AVAILABLE, Not available online / Call for pricing and availability
Not Shown	G3202937ALBR	DOOR ASSY *AL**BR* (VESO/VEDO)	1	EA	NO LONGER AVAILABLE, Not available online / Call for pricing and availability



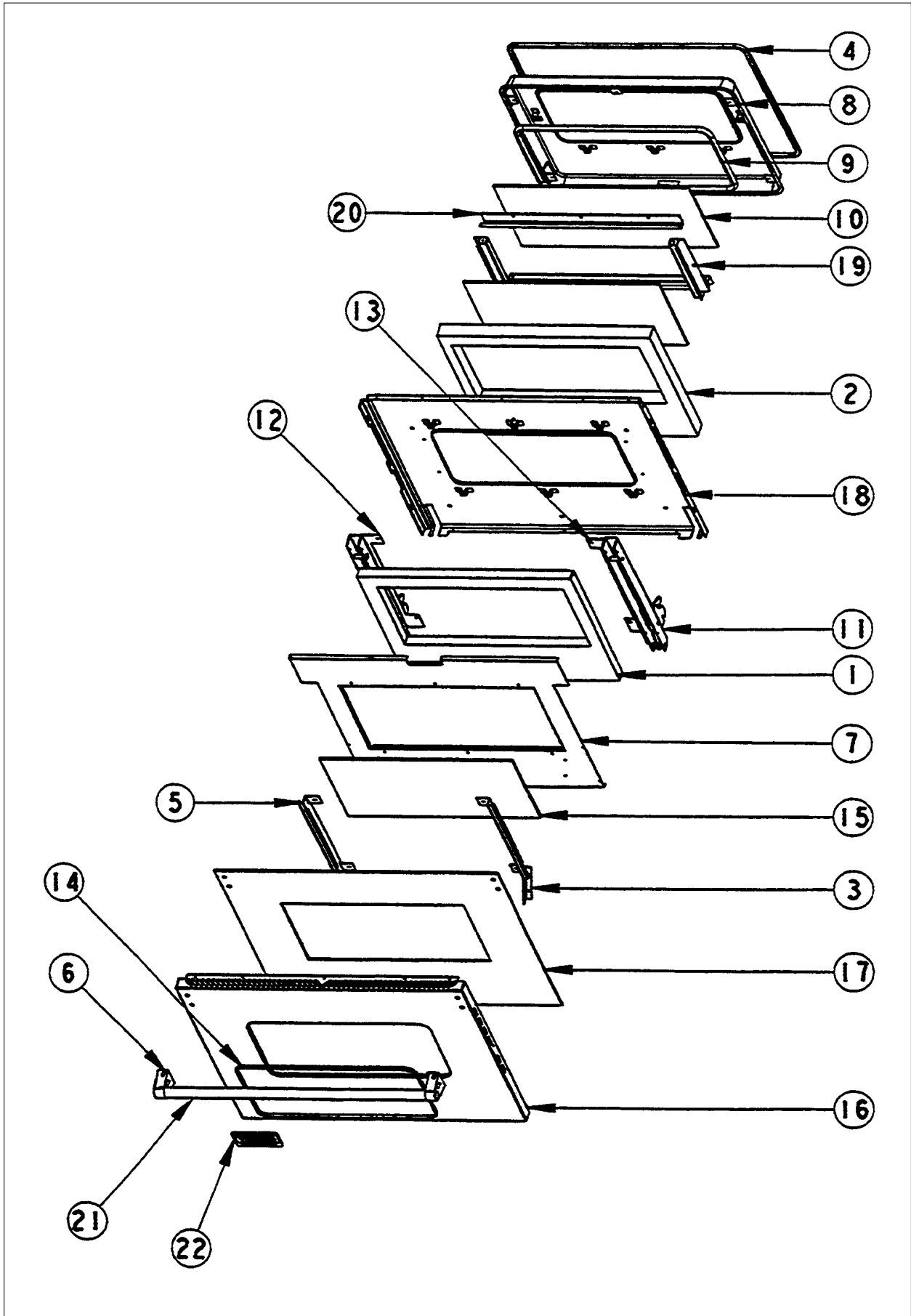
Item	Part No.	Name	Qty	Uom	NOTES
Not Shown	G3202937BK	DOOR ASSY *BK* (VESO/VEDO)	1	EA	NO LONGER AVAILABLE, Not available online / Call for pricing and availability
Not Shown	G3202937BKBR	DOOR ASSY *BK**BR* (VESO/VEDO)	1	EA	NO LONGER AVAILABLE, Not available online / Call for pricing and availability
Not Shown	G3202937BT	DOOR ASSY *BT* (VESO/VEDO)	1	EA	NO LONGER AVAILABLE, Not available online / Call for pricing and availability
Not Shown	G3202937BTBR	DOOR ASSY *BT**BR* (VESO/VEDO)	1	EA	NO LONGER AVAILABLE, Not available online / Call for pricing and availability
Not Shown	G3202937BU	DOOR ASSY *BU* (VESO/VEDO)	1	EA	NO LONGER AVAILABLE
Not Shown	G3202937BUBR	DOOR ASSY *BU**BR* (VESO/VEDO)	1	EA	NO LONGER AVAILABLE, Not available online / Call for pricing and availability
Not Shown	G3202937CB	DOOR ASSY *CB* (VESO/VEDO)	1	EA	NO LONGER AVAILABLE
Not Shown	G3202937CBBR	DOOR ASSY *CB**BR* (VESO/VEDO)	1	EA	NO LONGER AVAILABLE, Not available online / Call for pricing and availability
Not Shown	G3202937EP	DOOR ASSY *EP* (VESO/VEDO)	1	EA	NO LONGER AVAILABLE, Not available online / Call for pricing and availability
Not Shown	G3202937EPBR	DOOR ASSY *EP**BR* (VESO/VEDO)	1	EA	NO LONGER AVAILABLE, Not available online / Call for pricing and availability
Not Shown	G3202937FG	DOOR ASSY *FG* (VESO/VEDO)	1	EA	NO LONGER AVAILABLE, Not available online / Call for pricing and availability
Not Shown	G3202937FGBR	DOOR ASSEMBLY - FGBR	1	EA	Not available online / Call for pricing and availability



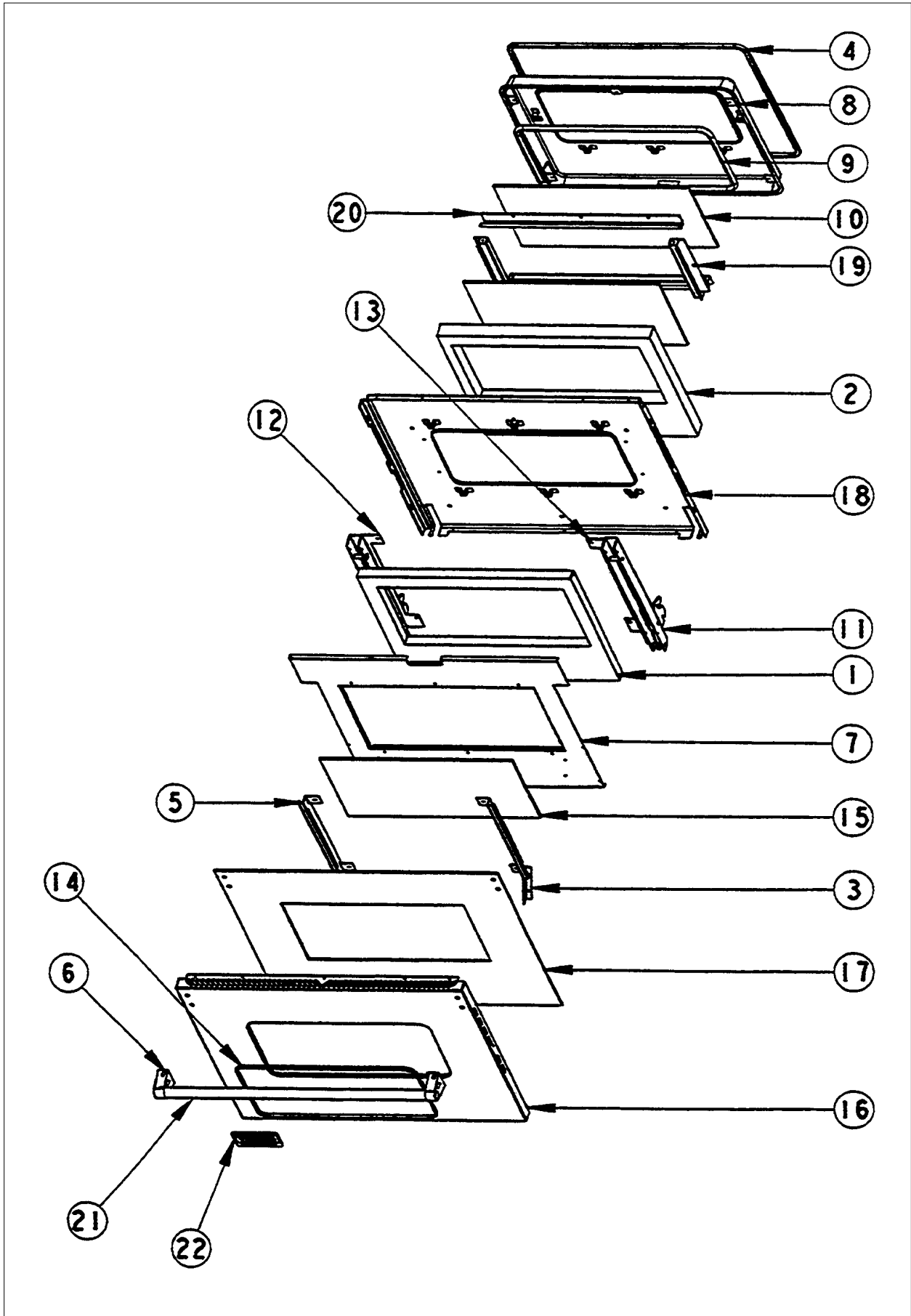
Item	Part No.	Name	Qty	Uom	NOTES
Not Shown	G3202937GG	DOOR ASSY *GG* (VESO/VEDO)	1	EA	NO LONGER AVAILABLE, Not available online / Call for pricing and availability
Not Shown	G3202937GGBR	DOOR ASSY *GG*BR* (VESO/VEDO)	1	EA	NO LONGER AVAILABLE, Not available online / Call for pricing and availability
Not Shown	G3202937LE	DOOR ASSY *LE* (VESO/VEDO)	1	EA	NO LONGER AVAILABLE, Not available online / Call for pricing and availability
Not Shown	G3202937LEBR	DOOR ASSY *LE**BR* (VESO/VEDO)	1	EA	NO LONGER AVAILABLE, Not available online / Call for pricing and availability
Not Shown	G3202937LN	DOOR ASSY *LN* (VESO/VEDO)	1	EA	NO LONGER AVAILABLE, Not available online / Call for pricing and availability
Not Shown	G3202937LNBR	DOOR ASSEMBLY - LNBR	1	EA	Not available online / Call for pricing and availability
Not Shown	G3202937MJ	DOOR ASSY *MJ* (VESO/VEDO)	1	EA	NO LONGER AVAILABLE, Not available online / Call for pricing and availability
Not Shown	G3202937MJBR	DOOR ASSY *MJ**BR* (VESO/VEDO)	1	EA	NO LONGER AVAILABLE, Not available online / Call for pricing and availability
Not Shown	G3202937PL	DOOR ASSY *PL* (VESO/VEDO)	1	EA	NO LONGER AVAILABLE, Not available online / Call for pricing and availability
Not Shown	G3202937PLBR	DOOR ASSY *PL**BR* (VESO/VEDO)	1	EA	NO LONGER AVAILABLE, Not available online / Call for pricing and availability
Not Shown	G3202937SG	DOOR ASSY *SG* (VESO/VEDO)	1	EA	NO LONGER AVAILABLE, Not available online / Call for pricing and availability



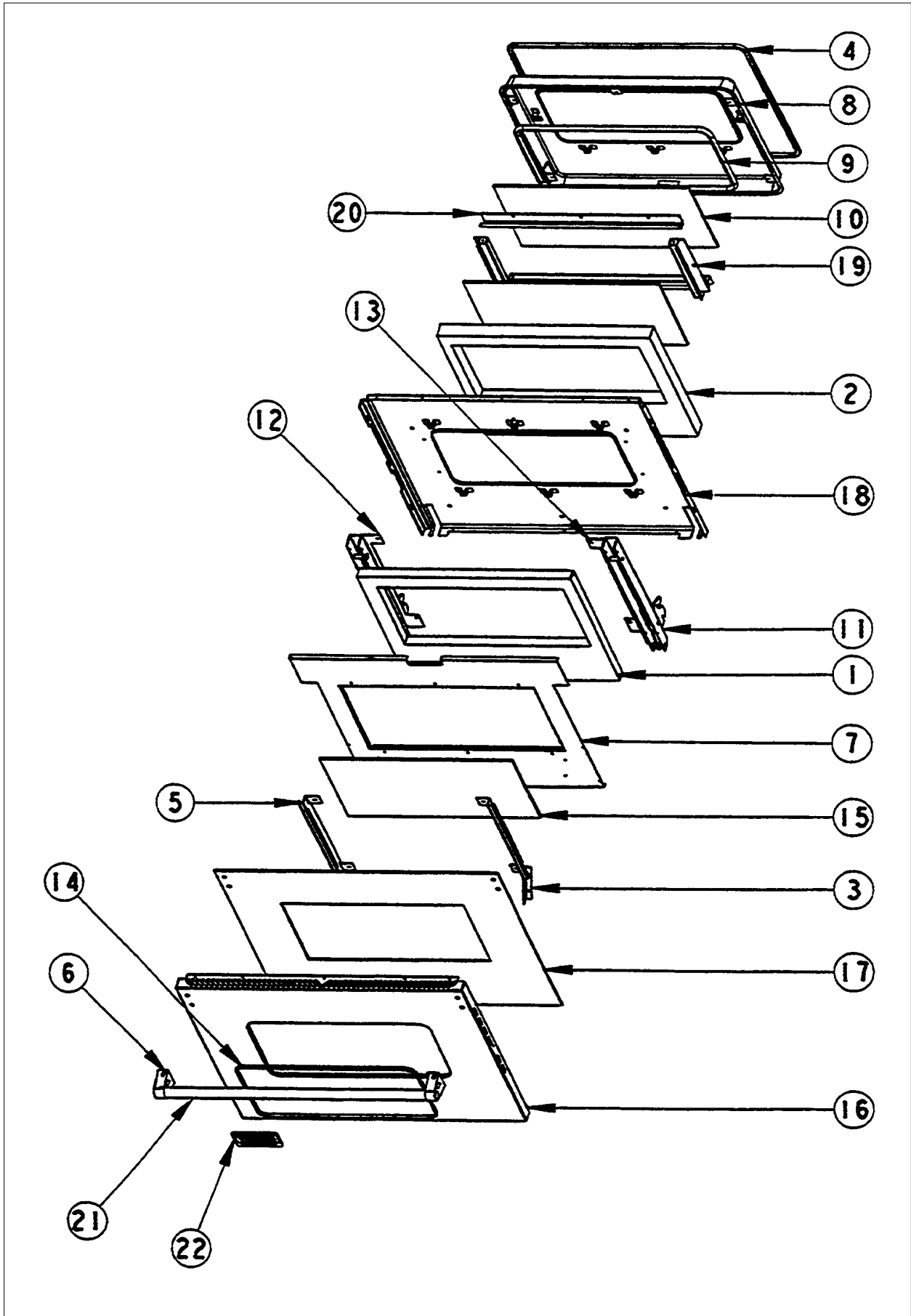
Item	Part No.	Name	Qty	Uom	NOTES
Not Shown	G3202937SGBR	DOOR ASSY *SG**BR* (VESO/MEDO)	1	EA	NO LONGER AVAILABLE, Not available online / Call for pricing and availability
Not Shown	G3202937SS	DOOR ASSY *SS* (VESO/MEDO)	1	EA	
Not Shown	G3202937SSBR	DOOR ASSY *SS**BR* (VESO/MEDO)	1	EA	NO LONGER AVAILABLE
Not Shown	G3202937VB	DOOR ASSY *VB* (VESO/MEDO)	1	EA	NO LONGER AVAILABLE, Not available online / Call for pricing and availability
Not Shown	G3202937VBBR	DOOR ASSY *VB**BR*(VESO/MEDO)	1	EA	NO LONGER AVAILABLE, Not available online / Call for pricing and availability
Not Shown	G3202937WH	DOOR ASSY *WH* (VESO/MEDO)	1	EA	NO LONGER AVAILABLE, Not available online / Call for pricing and availability
Not Shown	G3202937WHBR	DOOR ASSY *WH**BR* (VESO/MEDO) WH/B	1	EA	NO LONGER AVAILABLE, Not available online / Call for pricing and availability
1	PB070034	INSULATION-TRS-10 1" X 20" X 77' ROLL	1	EA	
2	PB070038	TRS-10 2" X 24" X 3' INSULATION	1	EA	
3	A2002497	DOOR GUIDE ANGLE VDSC	1	EA	
4	000623-000	DOOR GASKET(3/8"DIA.) (VDSC)	1	EA	
5	A2002367	DOOR GLASS BRKT	1	EA	
6	000268-000	HANDLE ENDCAP	1	EA	
Not Shown	PE030001PVD	END CAP DOOR HANDLE *BR	1	EA	
7	A2002930	DOOR INSUL. RET. FORMED	1	EA	
8	G50010123	VESO105/VEDO205 DR LINER SVC-KIT	1	EA	
9	000594-000	BLACK FIBERGLASS ROPE 3/8	1	EA	
10	PE060039	GLASS-HEAT TREATED (HB2) VDSC	1	EA	
11	PC020188	DOOR HINGE	1	EA	



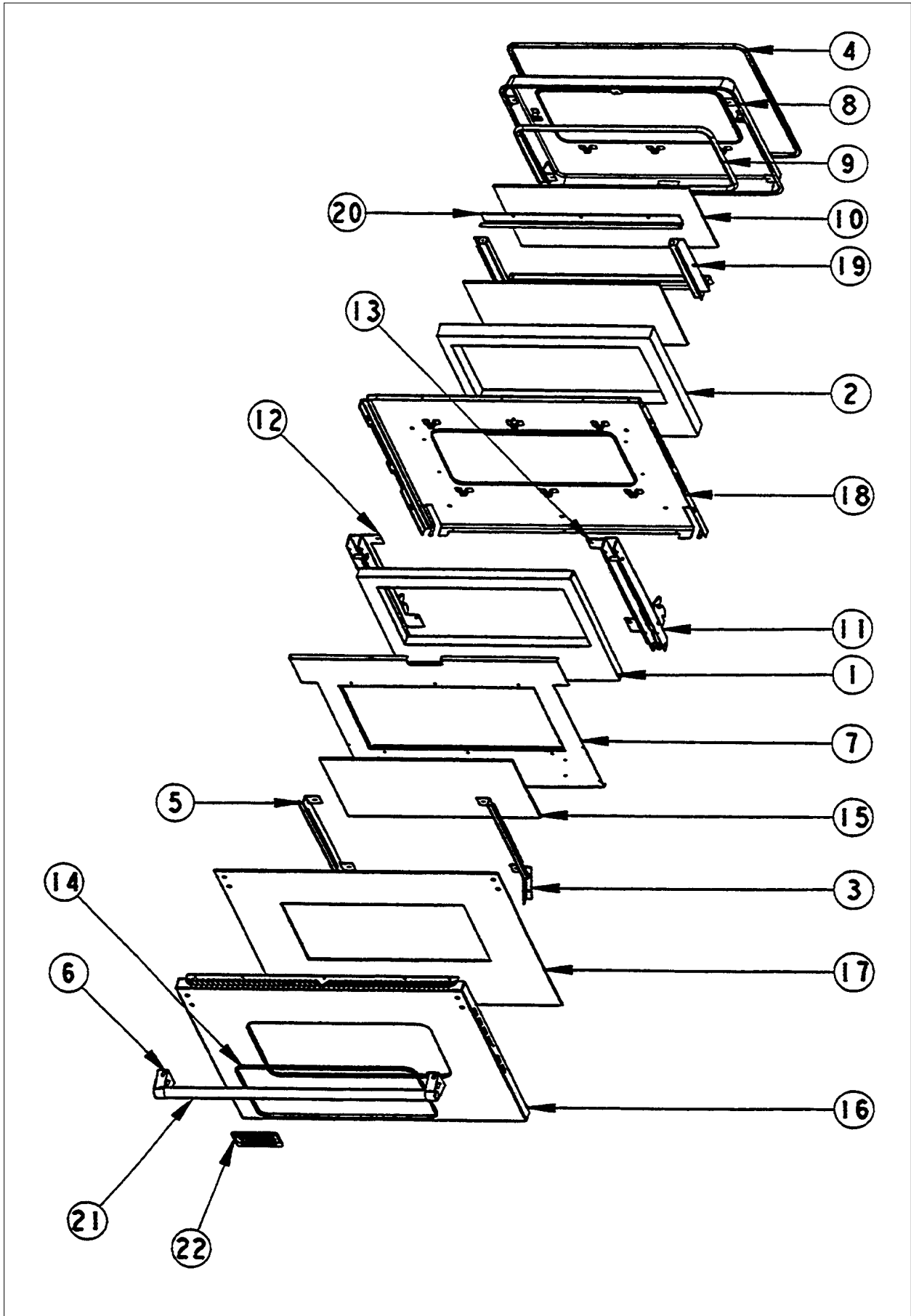
Item	Part No.	Name	Qty	Uom	NOTES
12	A2002960	HINGE BRACKET - LH (VEDO/VESO)	1	EA	
13	A2002962	HINGE BRACKET - RH (VEDO/VESO)	1	EA	
14	PE060031	J-MOLD (LARGE WINDOW)	1	EA	
Not Shown	PE060045	J-MOLD (LARGE WINDOW) *BR*	1	EA	
15	PE060030	OUTER DOOR GLASS	1	EA	
16	B2002940	O/S DOOR PANEL *SS* (VEDO205)	1	EA	
Not Shown	B2002931	O/S DOOR PANEL *SS* (VEDO/VESO)	1	EA	
Not Shown	C9002940AL	O/S DOOR PANEL *AL* (VEDO)	1	EA	NO LONGER AVAILABLE, Not available online / Call for pricing and availability
Not Shown	C9002940BK	O/S DOOR PANEL *BK* (VEDO)	1	EA	NO LONGER AVAILABLE
Not Shown	C9002940BT	O/S DOOR PANEL *BT* (VEDO)	1	EA	NO LONGER AVAILABLE
Not Shown	C9002940BU	O/S DOOR PANEL *BU* (VEDO)	1	EA	NO LONGER AVAILABLE
Not Shown	C9002940CB	O/S DOOR PANEL *CB* (VEDO)	1	EA	NO LONGER AVAILABLE, Not available online / Call for pricing and availability
Not Shown	C9002940EP	O/S DOOR PANEL *EP* (VEDO)	1	EA	NO LONGER AVAILABLE, Not available online / Call for pricing and availability
Not Shown	C9002940FG	O/S DOOR PANEL *FG* (VEDO)	1	EA	NO LONGER AVAILABLE, Not available online / Call for pricing and availability
Not Shown	C9002940GG	O/S DOOR PANEL *GG* (VDO)	1	EA	NO LONGER AVAILABLE, Not available online / Call for pricing and availability
Not Shown	C9002940LE	O/S DOOR PANEL *LE* (VEDO)	1	EA	NO LONGER AVAILABLE, Not available online / Call for pricing and availability



Item	Part No.	Name	Qty	Uom	NOTES
Not Shown	C9002940LN	O/S DOOR PANEL *LN* (VEDO)	1	EA	NO LONGER AVAILABLE, Not available online / Call for pricing and availability
Not Shown	C9002940MJ	O/S DOOR PANEL *MJ* (VEDO)	1	EA	NO LONGER AVAILABLE
Not Shown	C9002940PL	O/S DOOR PANEL *PL* (VEDO)	1	EA	NO LONGER AVAILABLE, Not available online / Call for pricing and availability
Not Shown	C9002940SG	O/S DOOR PANEL *SG* (VEDO)	1	EA	NO LONGER AVAILABLE, Not available online / Call for pricing and availability
Not Shown	C9002940VB	O/S DOOR PANEL *VB* (VEDO)	1	EA	NO LONGER AVAILABLE, Not available online / Call for pricing and availability
Not Shown	C9002940WH	O/S DOOR PANEL *WH* (VEDO)	1	EA	NO LONGER AVAILABLE, Not available online / Call for pricing and availability
Not Shown	C9002931AL	O/S DOOR PANEL *AL* (VEDO/MESO)	1	EA	NO LONGER AVAILABLE, Not available online / Call for pricing and availability
Not Shown	C9002931BK	O/S DOOR PANEL *BK* (VEDO/MESO)	1	EA	
Not Shown	C9002931BT	O/S DOOR PANEL *BT* (VEDO/MESO)	1	EA	NO LONGER AVAILABLE
Not Shown	C9002931BU	O/S DOOR PANEL *BU* (VEDO/MESO)	1	EA	NO LONGER AVAILABLE
Not Shown	C9002931CB	O/S DOOR PANEL *CB* (VEDO/MESO)	1	EA	NO LONGER AVAILABLE
Not Shown	C9002931EP	O/S DOOR PANEL *EP* (VEDO/MESO)	1	EA	NO LONGER AVAILABLE, Not available online / Call for pricing and availability
Not Shown	C9002931FG	O/S DOOR PANEL *FG* (VEDO/MESO)	1	EA	NO LONGER AVAILABLE, Not available online / Call for pricing and availability
Not Shown	C9002931GG	O/S DOOR PANEL *GG* (VESO/MESO)	1	EA	NO LONGER AVAILABLE



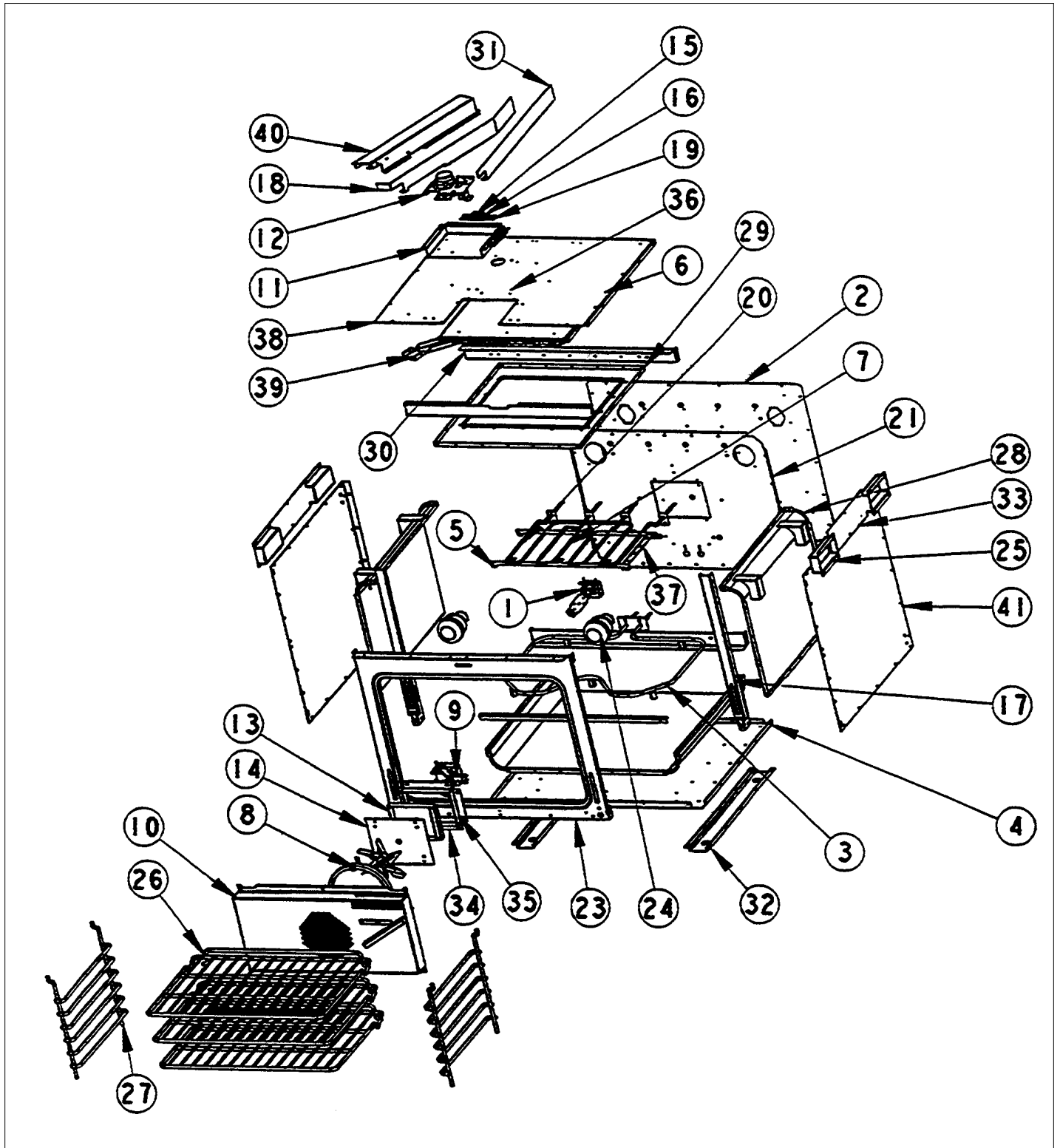
Item	Part No.	Name	Qty	Uom	NOTES
Not Shown	C9002931LE	O/S DOOR PANEL *LE* (VEDO/VESO)	1	EA	NO LONGER AVAILABLE
Not Shown	C9002931LN	O/S DOOR PANEL *LN* (VESO/VEDO)	1	EA	NO LONGER AVAILABLE, Not available online / Call for pricing and availability
Not Shown	C9002931MJ	O/S DOOR PANEL *MJ* (VEDO/VESO)	1	EA	NO LONGER AVAILABLE, Not available online / Call for pricing and availability
Not Shown	C9002931PL	O/S DOOR PANEL *PL* (VEDO/VESO)	1	EA	NO LONGER AVAILABLE, Not available online / Call for pricing and availability
Not Shown	C9002931SG	O/S DOOR PANEL *SG* (VEDO/VESO)	1	EA	Not available online / Call for pricing and availability
Not Shown	C9002931VB	O/S DOOR PANEL *VB* (VEDO/VESO)	1	EA	NO LONGER AVAILABLE, Not available online / Call for pricing and availability
Not Shown	C9002931WH	O/S DOOR PANEL *WH* (VEDO/VESO)	1	EA	NO LONGER AVAILABLE, Not available online / Call for pricing and availability
17	J1002939	OVEN DR HEAT SINK (VESO/DO)	1	EA	
18	G50010123	VESO105/VEDO205 DR LINER SVC-KIT	1	EA	
19	E9102179	WINDOW LINER-SIDE (VDSC)	1	EA	
20	E9102178	WINDOW LINER-TOP/BTM (VDSC)	1	EA	
21	PE030036	DOOR HANDLE *SS* (VESO/VEDO) 26.935	1	EA	
Not Shown	F0002944BR	DOOR HANDLE-VEDO/VESO (CUT-TO-SIZE)	1	EA	NO LONGER AVAILABLE
22	PE010016	LOGO (ALL RANGES) *BK/CHR 307997W	1	EA	
Not Shown	PE010017	LOGO (VGSO,VEDO,VGDO,VUD) *WH/CHR	1	EA	
Not Shown	PE010079	4.5" LOGO/VIKING PROF *BK/BR	1	EA	





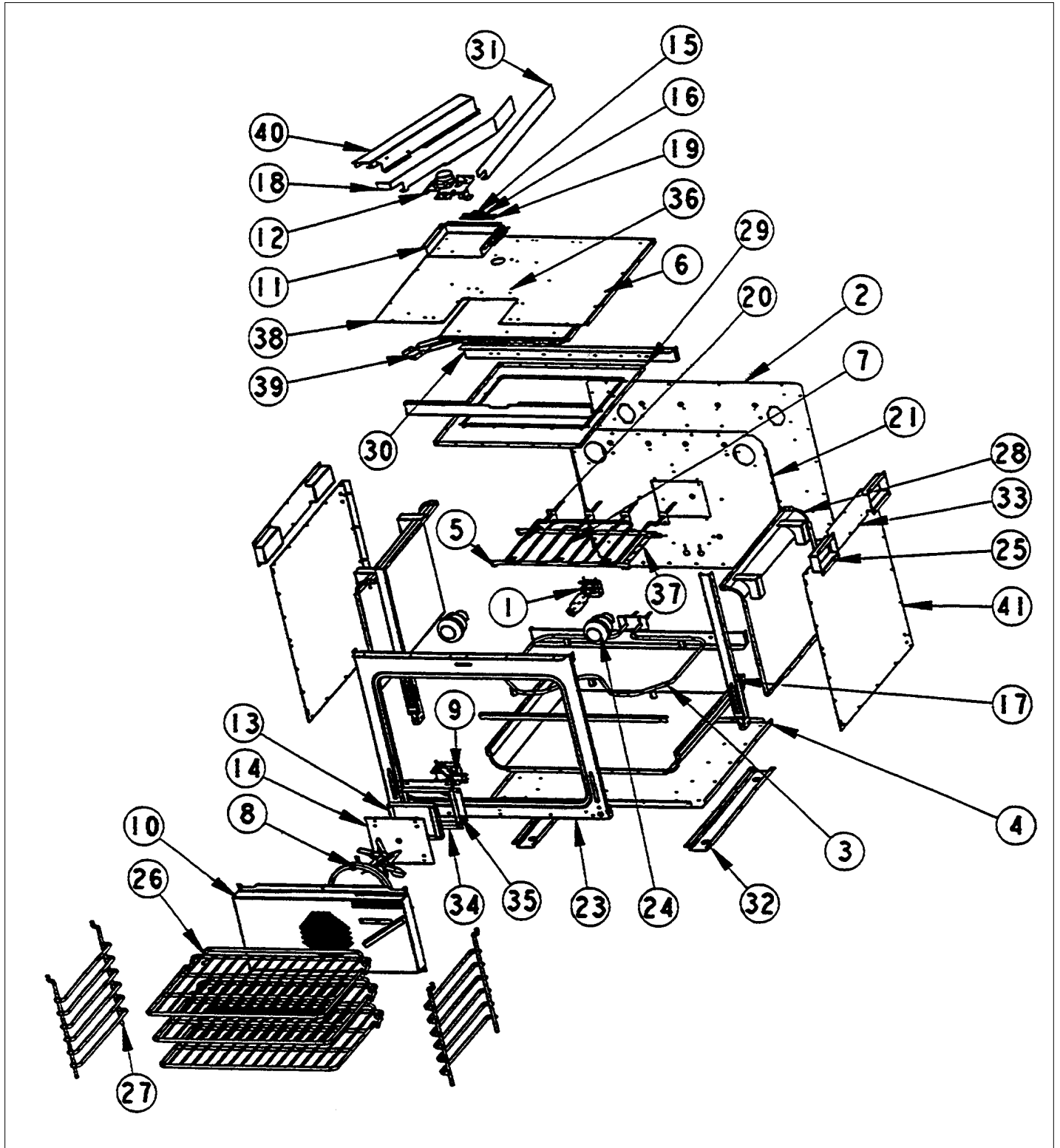
Item	Part No.	Name	Qty	Uom	NOTES
Not Shown	PE010080	4.5" LOGO/VIKING PROF *WH/BR	1	EA	
NI	B1009167	HINGE CLIP	1	EA	
NI	PE060064	WINDOW PACK, SELF CLEANING OVEN 30"	1	EA	

LOWER OVEN



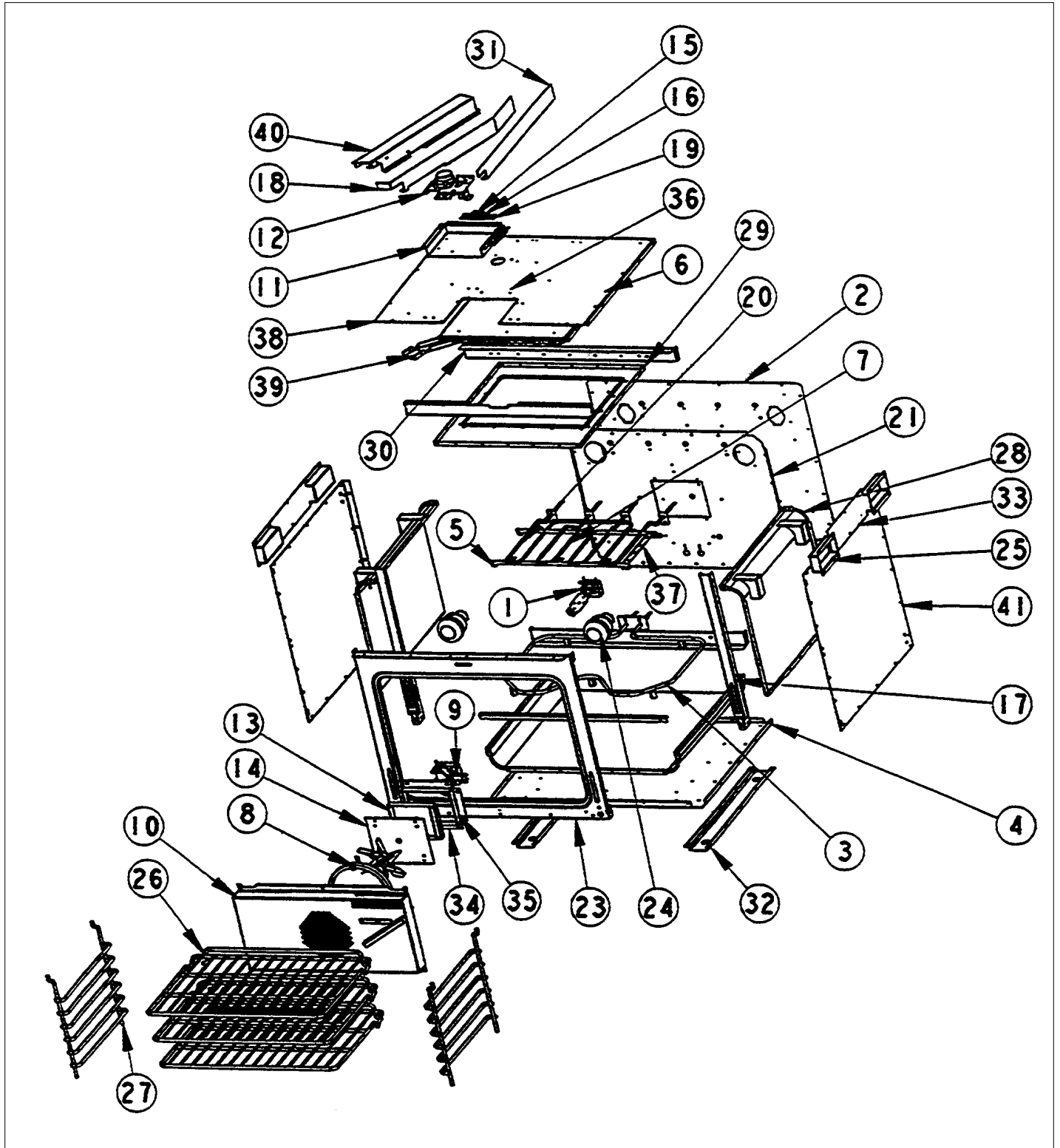


Item	Part No.	Name	Qty	Uom	NOTES
1	PJ030002	AUTO RESET (SELF-CLEAN) VDSC	1	EA	
2	A1002905	BACK INSULATION RETAINER - VESO/VEDO	1	EA	NO LONGER AVAILABLE, Not available online / Call for pricing and availability
3	PJ010004	BAKE ELEMENT (VDSC) 240V	1	EA	
4	A2002961	BOTTOM INSULATION RETAINER(VEDO/SO)	1	EA	NO LONGER AVAILABLE
5	B2002185	BROIL ELEMENT BRKT (VDSC)	1	EA	
6	B2002167	BROILER TOP (VDSC)	1	EA	NO LONGER AVAILABLE
7	PJ010001	BROIL ELEMENT 240V	1	EA	
8	PJ010003	CONVECTION ELEMENT (VDSC) 240V	1	EA	
9	PE050005	CONVECTION FAN ASSY	1	EA	
10	G9102749	CONVECTION FAN COVER ASSY (VDSC30)	1	EA	NO LONGER AVAILABLE, Not available online / Call for pricing and availability
11	A2002168	DOOR LATCH BRKT (VDSC)	1	EA	
12	PE050053	DR LATCH REPL PE050020	1	EA	
Not Shown	NOTE	(Before 10-1-02)		EA	
Not Shown	PE050112	DOOR LATCH	1	EA	
Not Shown	NOTE	(After 10-1-02)		EA	
13	A2002595	CONVECTION FAN BOX (VDSC)	1	EA	
14	A1002596	CONVECTION FAN COVER (VDSC)	1	EA	
15	PJ030005	SWITCH (HIGH-LIMIT) VDSC	1	EA	
16	PJ030006	SWITCH (COOLING FAN)	1	EA	
17	PC020016	HINGE RECEIVER (VEDO/VEDO)	1	EA	
18	A2002920	LEFT AIR CHANNEL	1	EA	NO LONGER AVAILABLE, Not available online / Call for pricing and availability
19	A1002456	THERMO-DISC BRKT (VDSC)	1	EA	





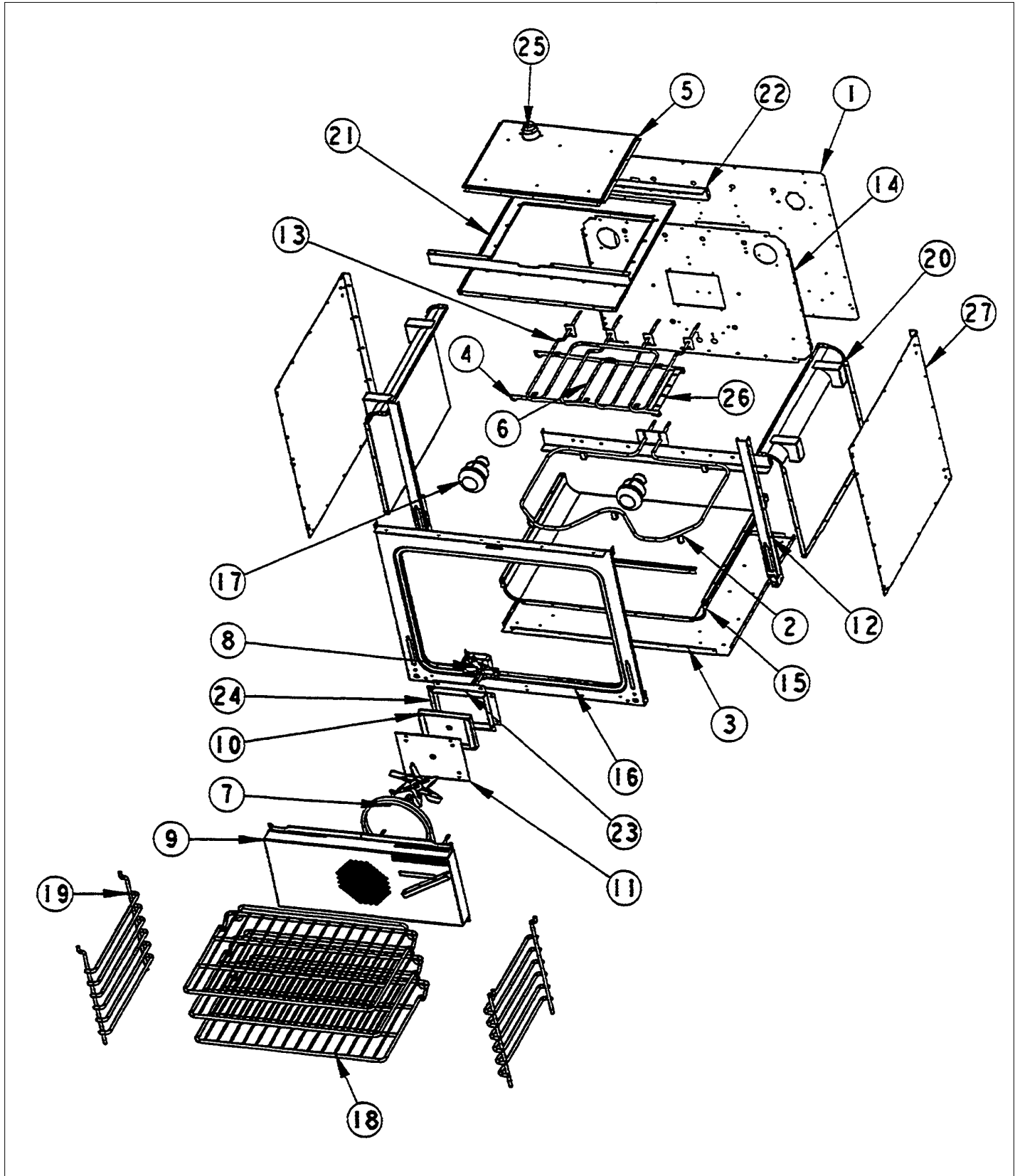
Item	Part No.	Name	Qty	Uom	NOTES
20	PJ010002	BROIL ELEMENT(MAXI)-SIDE (VDSC)240V	1	EA	
21	E9102741	OVEN BACK (VDSC30)	1	EA	NO LONGER AVAILABLE, Not available online / Call for pricing and availability
22	E9102152	OVEN BTM (VDSC)	1	EA	NO LONGER AVAILABLE
23	G9102901	OVEN FRONT FRAME ASSY (VEDO/VESO)	1	EA	NO LONGER AVAILABLE
24	031449-000	LAMP, ASM	1	EA	
25	A2002919	OVEN MOUNTING BRKT	1	EA	NO LONGER AVAILABLE, Not available online / Call for pricing and availability
26	PB060019	SUB TO PB060044 - OVEN RACK	1	EA	NO LONGER AVAILABLE
27	PB060030	RACK SUPT REPL PB060010	1	EA	
28	G9102736	OVEN SIDE ASSY (VDSC)	1	EA	NO LONGER AVAILABLE, Not available online / Call for pricing and availability
29	E9102153	OVEN TOP (VDSC)	1	EA	NO LONGER AVAILABLE
30	A2002158	REAR OVEN SUPT (VDSC)	1	EA	NO LONGER AVAILABLE, Not available online / Call for pricing and availability
31	A2002921	RIGHT AIR CHANNEL	1	EA	NO LONGER AVAILABLE, Not available online / Call for pricing and availability
32	A2002902	RUNNER	1	EA	NO LONGER AVAILABLE, Not available online / Call for pricing and availability
33	A1002953	SIDE COVER - VESO/VEDO	1	EA	NO LONGER AVAILABLE, Not available online / Call for pricing and availability
34	A2008467	INSULATION SHIELD	1	EA	





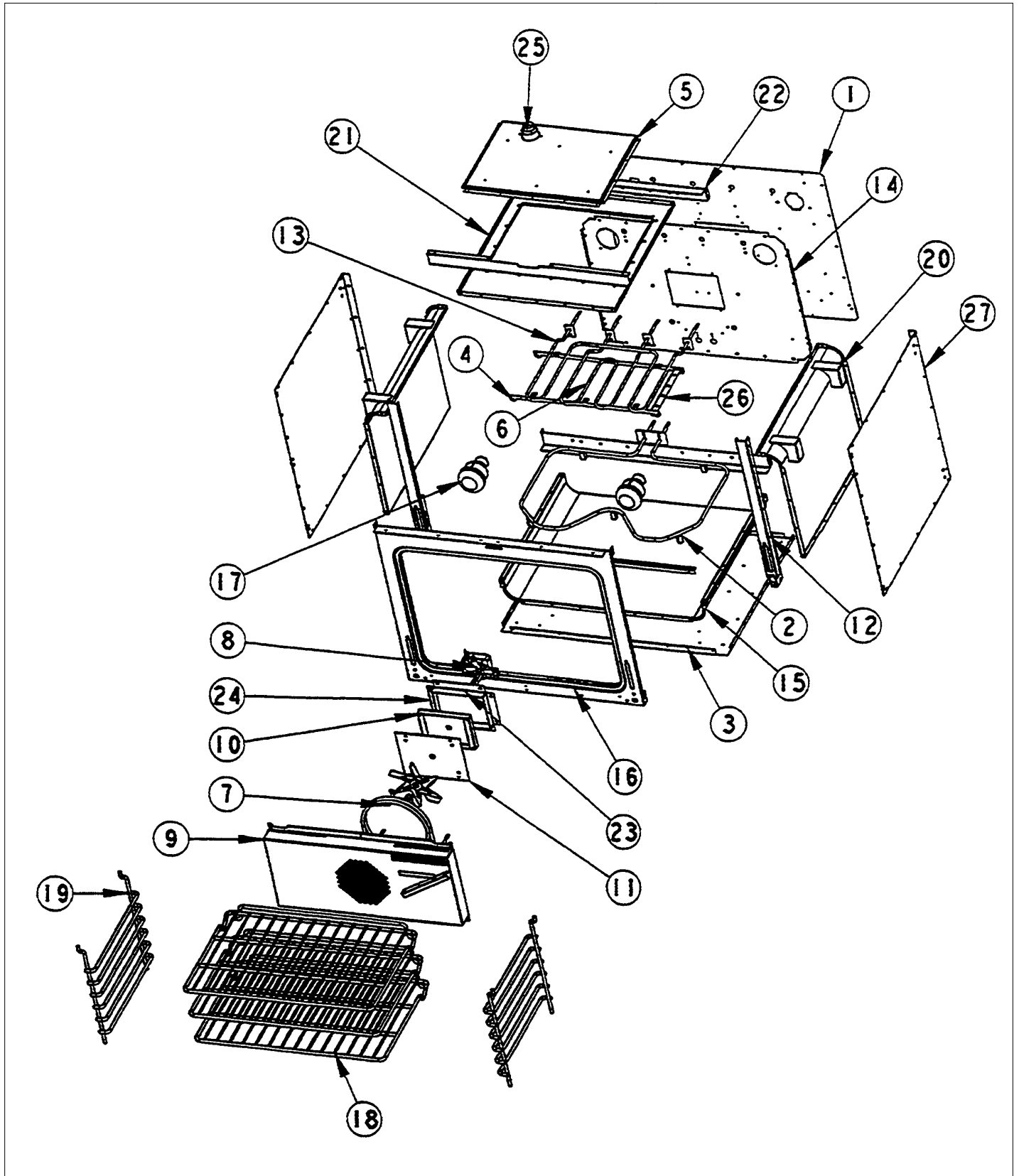
Item	Part No.	Name	Qty	Uom	NOTES
35	A2001746	SIDE FAN SHIELD	1	EA	Not available online / Call for pricing and availability
36	PM010014	SMOKE ELIMINATOR (VDSC)	1	EA	
37	B2002489	THERMAL BULB SHIELD (VDSC)	1	EA	
38	A2002923	OVEN TOP INSUL. RET.	1	EA	NO LONGER AVAILABLE, Not available online / Call for pricing and availability
39	A2002909	VENT BTM	1	EA	NO LONGER AVAILABLE
40	A2002910	VENT TOP	1	EA	NO LONGER AVAILABLE
41	A2002904	SIDE INSULATION RETAINER	1	EA	NO LONGER AVAILABLE, Not available online / Call for pricing and availability

UPPER OVEN





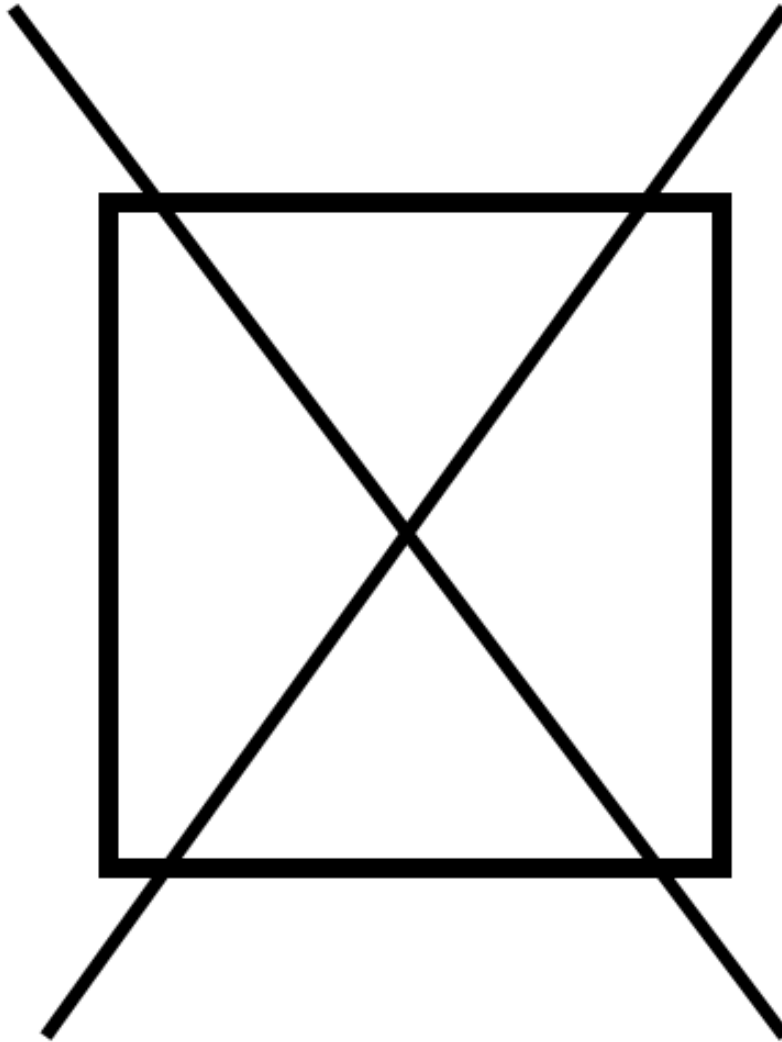
Item	Part No.	Name	Qty	Uom	NOTES
1	A1002905	BACK INSULATION RETAINER - VESO/VEDO	1	EA	NO LONGER AVAILABLE, Not available online / Call for pricing and availability
2	PJ010004	BAKE ELEMENT (VDSC) 240V	1	EA	
3	A2002961	BOTTOM INSULATION RETAINER(VEDO/SO)	1	EA	NO LONGER AVAILABLE
4	B2002185	BROIL ELEMENT BRKT (VDSC)	1	EA	
5	B2002167	BROILER TOP (VDSC)	1	EA	NO LONGER AVAILABLE
6	PJ010001	BROIL ELEMENT 240V	1	EA	
7	PJ010003	CONVECTION ELEMENT (VDSC) 240V	1	EA	
8	PE050005	CONVECTION FAN ASSY	1	EA	
9	G9102749	CONVECTION FAN COVER ASSY (VDSC30)	1	EA	NO LONGER AVAILABLE, Not available online / Call for pricing and availability
10	A2002595	CONVECTION FAN BOX (VDSC)	1	EA	
11	A1002596	CONVECTION FAN COVER (VDSC)	1	EA	
12	PC020016	HINGE RECEIVER (VEDO/VEDO)	1	EA	
13	PJ010002	BROIL ELEMENT(MAXI)-SIDE (VDSC)240V	1	EA	
14	E9102741	OVEN BACK (VDSC30)	1	EA	NO LONGER AVAILABLE, Not available online / Call for pricing and availability
15	E9102152	OVEN BTM (VDSC)	1	EA	NO LONGER AVAILABLE
16	G9102901	OVEN FRONT FRAME ASSY (VEDO/VESO)	1	EA	NO LONGER AVAILABLE
17	031449-000	LAMP, ASM	1	EA	
18	PB060019	SUB TO PB060044 - OVEN RACK	1	EA	NO LONGER AVAILABLE
19	PB060030	RACK SUPT REPL PB060010	1	EA	
20	G9102736	OVEN SIDE ASSY (VDSC)	1	EA	NO LONGER AVAILABLE, Not available online / Call for pricing and availability





Item	Part No.	Name	Qty	Uom	NOTES
21	E9102153	OVEN TOP (VDSC)	1	EA	NO LONGER AVAILABLE
22	A2002158	REAR OVEN SUPT (VDSC)	1	EA	NO LONGER AVAILABLE, Not available online / Call for pricing and availability
23	A2008467	INSULATION SHIELD	1	EA	
24	A2001746	SIDE FAN SHIELD	1	EA	Not available online / Call for pricing and availability
25	PM010014	SMOKE ELIMINATOR (VDSC)	1	EA	
26	B2002489	THERMAL BULB SHIELD (VDSC)	1	EA	
27	A2002904	SIDE INSULATION RETAINER	1	EA	NO LONGER AVAILABLE, Not available online / Call for pricing and availability

NON
ILLUSTRATED PART





Item	Part No.	Name	Qty	Uom	NOTES
NI	PE070190	HARNESS-VESO/VEDO	1	EA	NO LONGER AVAILABLE, Not available online / Call for pricing and availability
NI	PE070191	HARNESS-VESO/VEDO	1	EA	
NI	PE070192	HARNESS-VEDO205	1	EA	NO LONGER AVAILABLE
NI	PE070193	HARNESS-VEDO205	1	EA	NO LONGER AVAILABLE, Not available online / Call for pricing and availability
NI	PE070208	.250 SPLIT MALE CONNECTOR	2	EA	
NI	G4002968	BLACK JUMPER	1	EA	NO LONGER AVAILABLE
NI	G4005499	SUPPLY WIRE - 100" RED 10GA SO/DO	1	EA	
NI	G4005496	SUPPLY WIRE - 100" BK 10GA SO/DO	1	EA	
NI	G4005497	SUPPLY WIRE - 100" GREEN 10GA SO/DO	2	EA	
NI	G4007449	SAILSWITCH BYPASS WIRE (VESO/VEDO)	4	EA	NO LONGER AVAILABLE, Not available online / Call for pricing and availability
NI	G4007448	FAN SWITCH JUMPER WIRE (VESO/VEDO)	1	EA	NO LONGER AVAILABLE



Appendix A:Pages Index

CABINET ASSEMBLY 1
CONTROL PANEL ASSY 2
DOOR ASSEMBLY 3
LOWER OVEN 4
UPPER OVEN 5
WIRING 6



Appendix B:Parts Index

000268-000	3	A2002964	1
000594-000	3	A2008467	4, 5
000623-000	3	B1009167	3
031449-000	4, 5	B2002167	4, 5
A1002456	1, 1, 4	B2002185	4, 5
A1002596	4, 5	B2002489	4, 5
A1002905	4, 5	B2002931	3
A1002947	1	B2002940	3
A1002953	4	B9202924	2
A2001746	4, 5	B9204535	2
A2002158	4, 5	C9002931AL	3
A2002168	4	C9002931BK	3
A2002367	3	C9002931BT	3
A2002497	3	C9002931BU	3
A2002595	4, 5	C9002931CB	3
A2002902	4	C9002931EP	3
A2002904	4, 5	C9002931FG	3
A2002906	1, 1	C9002931GG	3
A2002909	1, 4	C9002931LE	3
A2002910	1, 4	C9002931LN	3
A2002911	1	C9002931MJ	3
A2002913	2	C9002931PL	3
A2002919	4	C9002931SG	3
A2002920	4	C9002931VB	3
A2002921	4	C9002931WH	3
A2002923	4	C9002940AL	3
A2002926	1	C9002940BK	3
A2002930	3	C9002940BT	3
A2002932	2	C9002940BU	3
A2002948	1	C9002940CB	3
A2002949	1	C9002940EP	3
A2002950	1	C9002940FG	3
A2002951	1	C9002940GG	3
A2002952	1	C9002940LE	3
A2002954	1	C9002940LN	3
A2002956	1	C9002940MJ	3
A2002959	1	C9002940PL	3
A2002960	3	C9002940SG	3
A2002961	4, 5	C9002940VB	3
A2002962	3	C9002940WH	3
		C9202924BK	2



C9202924WH	2	G3202937WH	3
C9204535BK	2	G3202937WHBR	3
C9204535WH	2	G3202938AL	3
E9102152	4, 5	G3202938ALBR	3
E9102153	4, 5	G3202938BK	3
E9102178	3	G3202938BKBR	3
E9102179	3	G3202938BT	3
E9102741	4, 5	G3202938BTBR	3
E9102908	1	G3202938BU	3
F0002944BR	3	G3202938BUBR	3
G3008411	1	G3202938CB	3
G3202937AL	3	G3202938CBBR	3
G3202937ALBR	3	G3202938EP	3
G3202937BK	3	G3202938EPBR	3
G3202937BKBR	3	G3202938FG	3
G3202937BT	3	G3202938FGBR	3
G3202937BTBR	3	G3202938GG	3
G3202937BU	3	G3202938GGBR	3
G3202937BUBR	3	G3202938LE	3
G3202937CB	3	G3202938LEBR	3
G3202937CBBR	3	G3202938LN	3
G3202937EP	3	G3202938LNBR	3
G3202937EPBR	3	G3202938MJ	3
G3202937FG	3	G3202938MJBR	3
G3202937FGBR	3	G3202938PL	3
G3202937GG	3	G3202938PLBR	3
G3202937GGBR	3	G3202938SG	3
G3202937LE	3	G3202938SGBR	3
G3202937LEBR	3	G3202938SS	3
G3202937LN	3	G3202938SSBR	3
G3202937LNBR	3	G3202938VB	3
G3202937MJ	3	G3202938VBBR	3
G3202937MJBR	3	G3202938WH	3
G3202937PL	3	G3202938WHBR	3
G3202937PLBR	3	G4002968	6
G3202937SG	3	G4005496	6
G3202937SGBR	3	G4005497	6
G3202937SS	3	G4005499	6
G3202937SSBR	3	G4007448	6
G3202937VB	3	G4007449	6
G3202937VBBR	3	G50010123	3, 3



G5002958	1	PE040075	2
G5004515BK	2	PE040076	2
G5004515BKBR	2	PE050005	4, 5
G5004516WH	2	PE050019	2
G5004516WHBR	2	PE050023	2
G5004518BK	2	PE050024	2
G5004518BKBR	2	PE050049	2
G5004518WH	2	PE050053	1, 4
G5004518WHBR	2	PE050112	1, 4
G5004539	2	PE060030	3
G5004540	2	PE060031	3
G5004541	2	PE060039	3
G5007602	1	PE060045	3
G9102736	4, 5	PE060064	3
G9102749	4, 5	PE070147	1
G9102901	4, 5	PE070148	1
J1002939	3	PE070190	6
PB010163	2	PE070191	6
PB010164	2	PE070192	6
PB010165	2	PE070193	6
PB010166	2	PE070208	6
PB010184	2	PE070246	1
PB010184BK	2	PE070308	1
PB010185	2	PE070317	1
PB010185BK	2	PE110024	1
PB060019	4, 5	PE110031	1
PB060030	4, 5	PJ010001	4, 5
PB070034	3	PJ010002	4, 5
PB070038	3	PJ010003	4, 5
PC020016	4, 5	PJ010004	4, 5
PC020188	3	PJ030001	2
PD030033	1	PJ030002	1, 4
PE010016	3	PJ030003	2
PE010017	3	PJ030005	1, 4
PE010079	3	PJ030006	1, 4
PE010080	3	PJ030010	2
PE030001PVD	3	PJ030012	2
PE030036	3	PM010014	4, 5
PE040069	2	PM010029	1
PE040073	2	PM010129	1
PE040074	2		