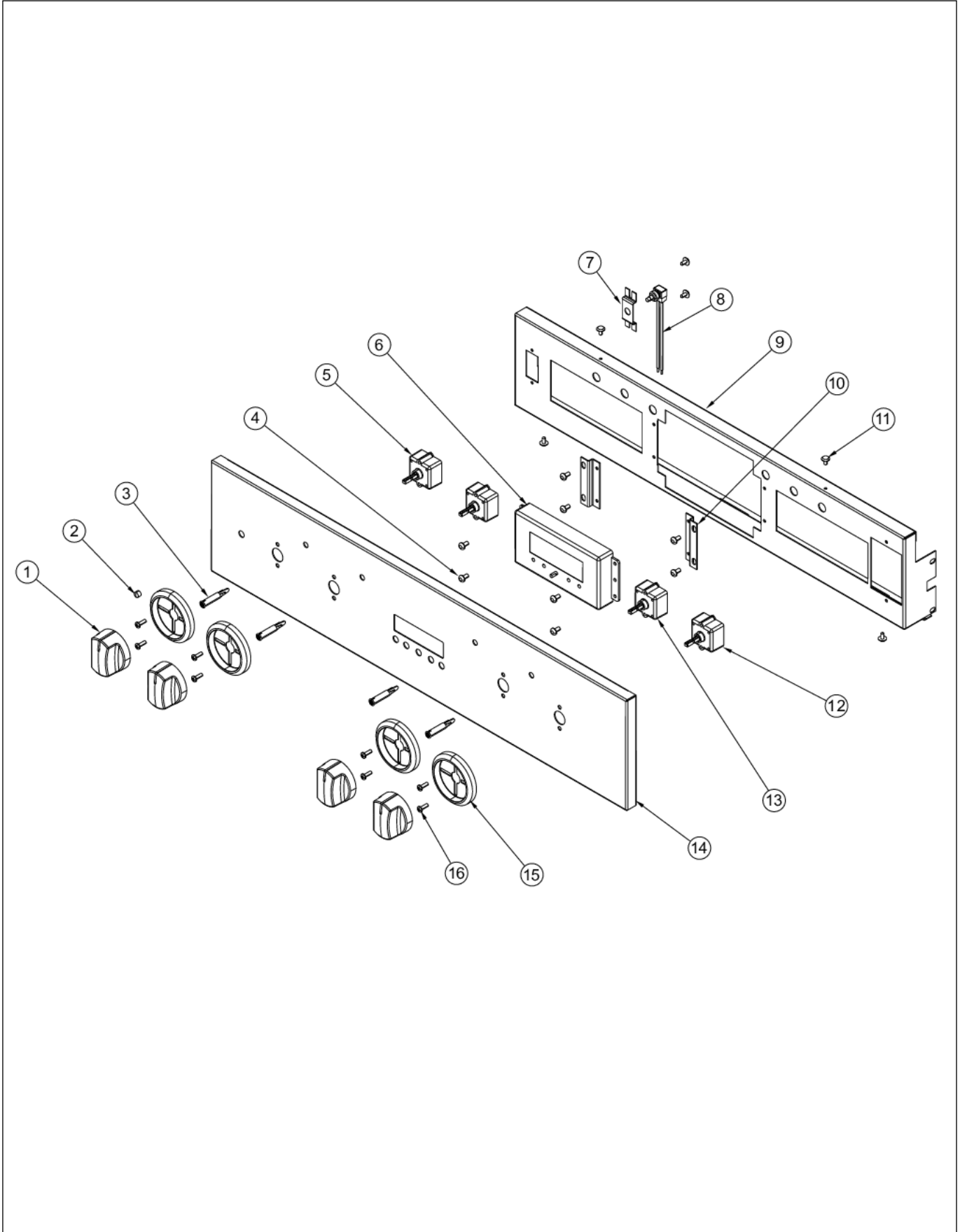


VEDO1302

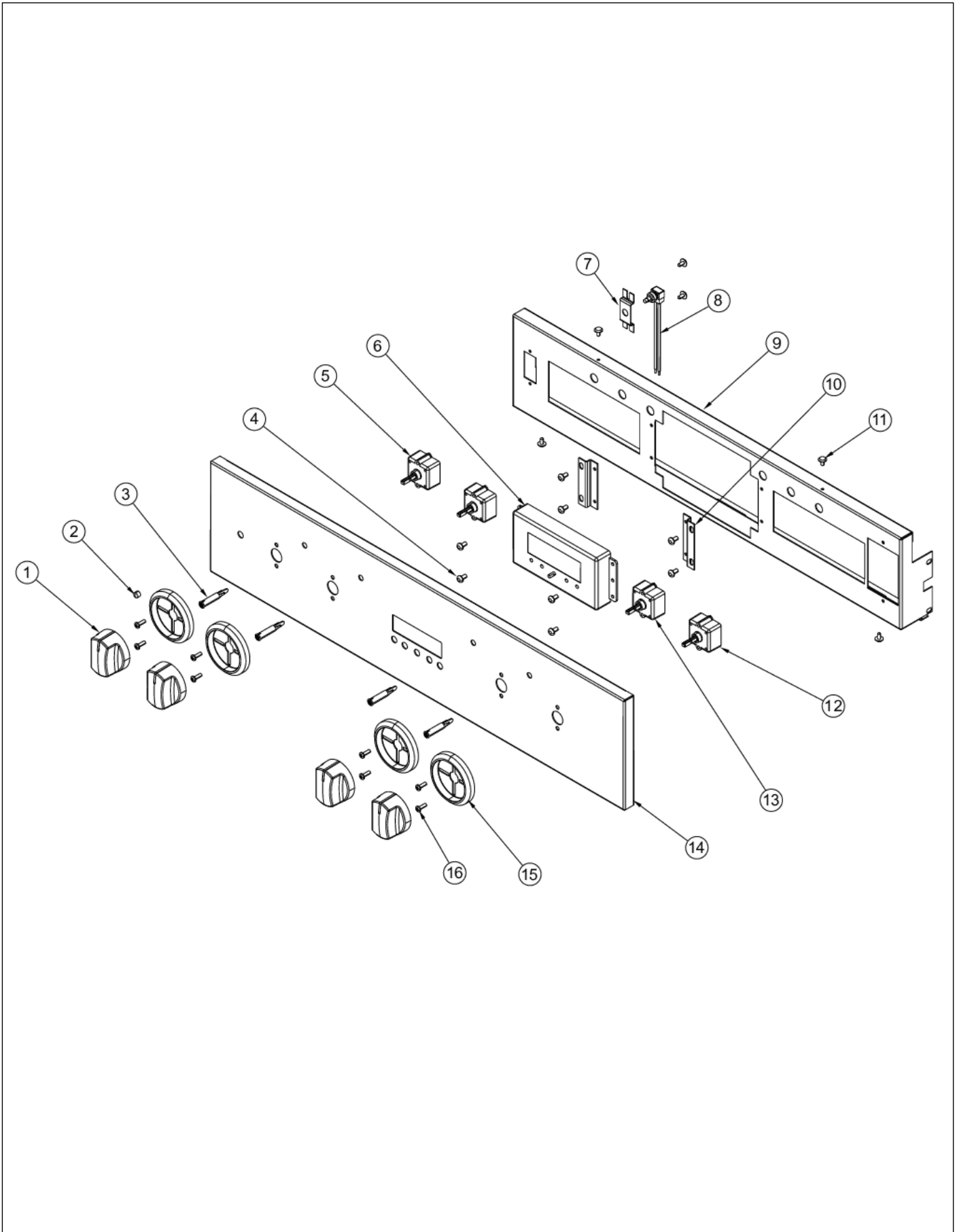
CONTROL AREA	1
CONTROL BD WIRING	2
LOWER DOOR ASSEMBLY	3
LOWER OVEN CAVITY	4
LOWER UNIT AND SIDE TRIM	5
MIDDLE EXTERIOR AREA	6
UPPER DOOR ASSEMBLY	7
UPPER EXTERIOR AREA	8
UPPER OVEN CAVITY	9
Appendix A:Pages Index	A
Appendix B:Parts Index	B

CONTROL AREA





Item	Part No.	Name	Qty	Uom	NOTES
1	015662-000	KNOB, OVEN ASM, SS	4	EA	
<p>Comments for Part Num. 015662-000</p> <p>tom@gerhardsappliance.com on Nov 15, 2016 Sub to 036330-000 for silver colored SS knobs, listed part has a bronze shade.</p>					
NI	PB010314	TEST DESIGNER BIT GENERATOR KNOB	1	EA	
NI	PB010315	DES. CLOCK BUTTON	4	EA	
2	PA010093	DESIGNER OVEN LT SWITCH KNOB	1	EA	
3	015043-000	INDICATOR, LIGHT, BLUE LED	4	EA	
4	PD020004	10X3/8PH.HD.TYPE 25 REPL PD040125	8	EA	
5	PJ030033	SELECTOR (10 POS)	1	EA	
6	020619-526	DISPLAY, CLOCK, TOD3, V26	1	EA	
7	024810-000	BRACKET, LIGHT SW	1	EA	
Not Shown	NOTE	(BEFORE 09/19/13)		EA	
7	036576-000	LIGHT SWITCH ASM	1	EA	
Not Shown	NOTE	(ON OR AFTER 09/19/13)		EA	
8	G40015469	LIGHT SWITCH ASSEMBLY	1	EA	
9	024774-000	PANEL, CONTROL MOUNTING	1	EA	
10	025058-000	BRACKET, CLOCK	2	EA	
11	PD020032	SRW-8(A)X3/8"PH.WFR HD 7/16DIA*NICL	6	EA	
12	PJ030035	THERMOSTAT	2	EA	
<p>Comments for Part Num. PJ030035</p> <p>parts@lvdistributes.com on Feb 7, 2018 this is not the correct part for this range it should be a 003225-000 Reply by JREXEC02@AOL.COM on Feb 27, 2018 003225-000 is an Induction Control.</p> <p>PJ030035 is the red colored thermostat for the Gas Range *****</p>					
13	PJ030034	SELECTOR, 6 POS	1	EA	

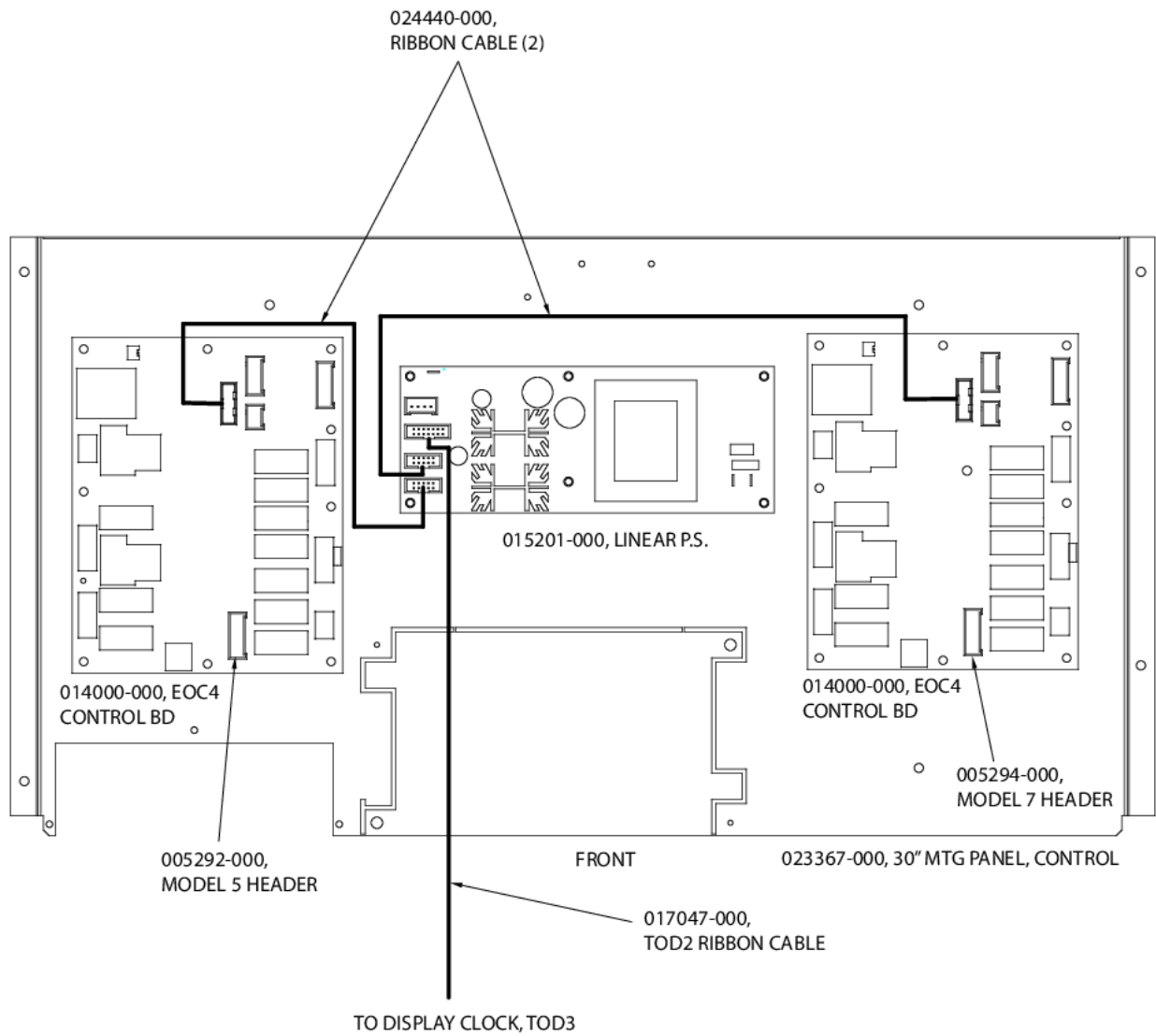




Item	Part No.	Name	Qty	Uom	NOTES
14	024766-2293	CONTROL PANEL, 30" DBL SELECT W/GRAPHICS	1	EA	
Not Shown	NOTE	(BEFORE 03/13/13)		EA	
14	036525-2293	PANEL, CTRL, DOUBLE, 30" W/GRAPHICS	1	EA	
Not Shown	NOTE	(ON OR AFTER 03/13/13)		EA	
Not Shown	NOTE	MUST ORDER ITEM #7 WITH PANEL		EA	
15	050172-000	BEZEL, KNOB	4	EA	
16	PD020261	' #8-32X1/2" PH PANHEAD MACH. SCREW	8	EA	

CONTROL BD WIRING

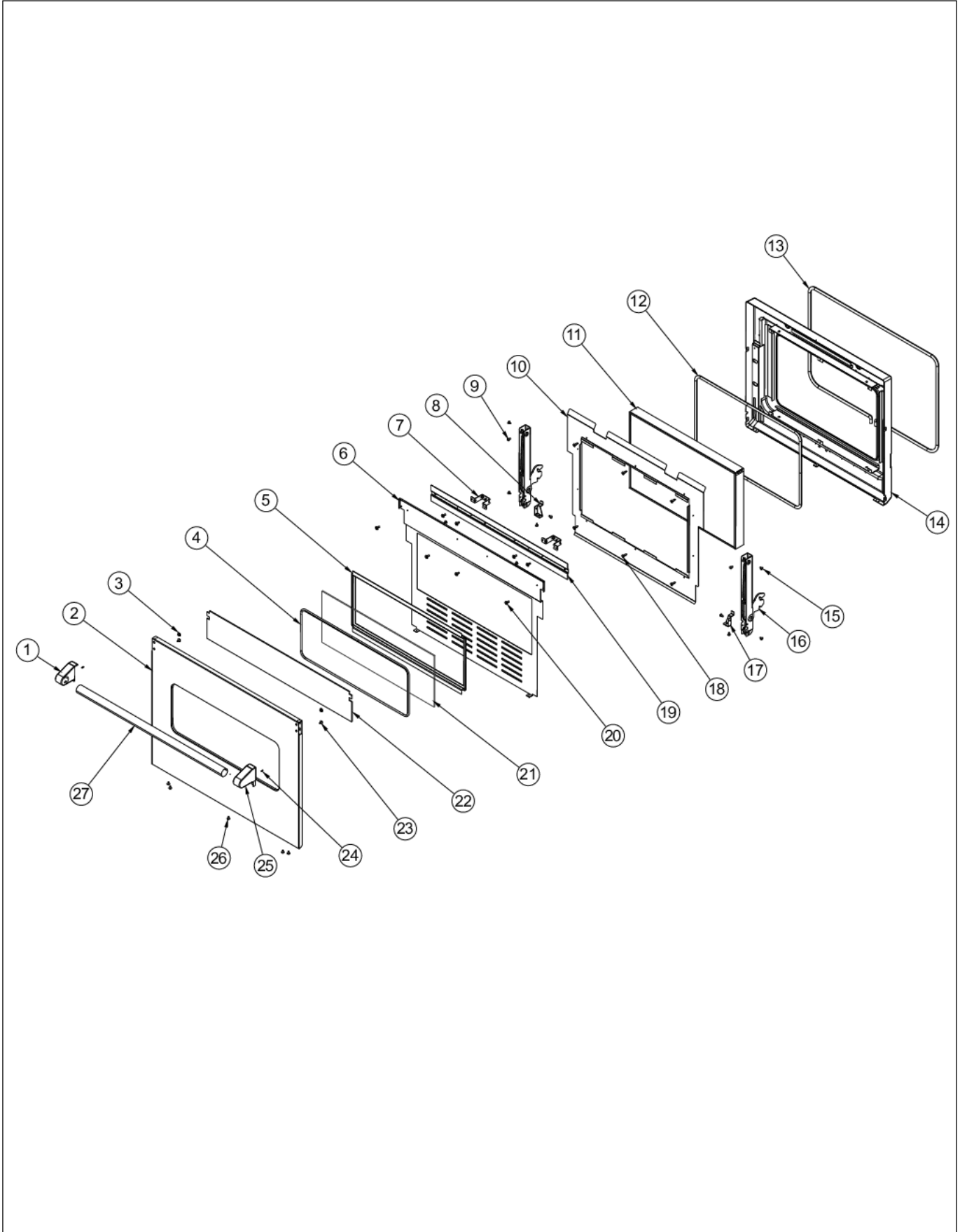
EOC4 CONTROL BOARD WIRING
(TOP VIEW)



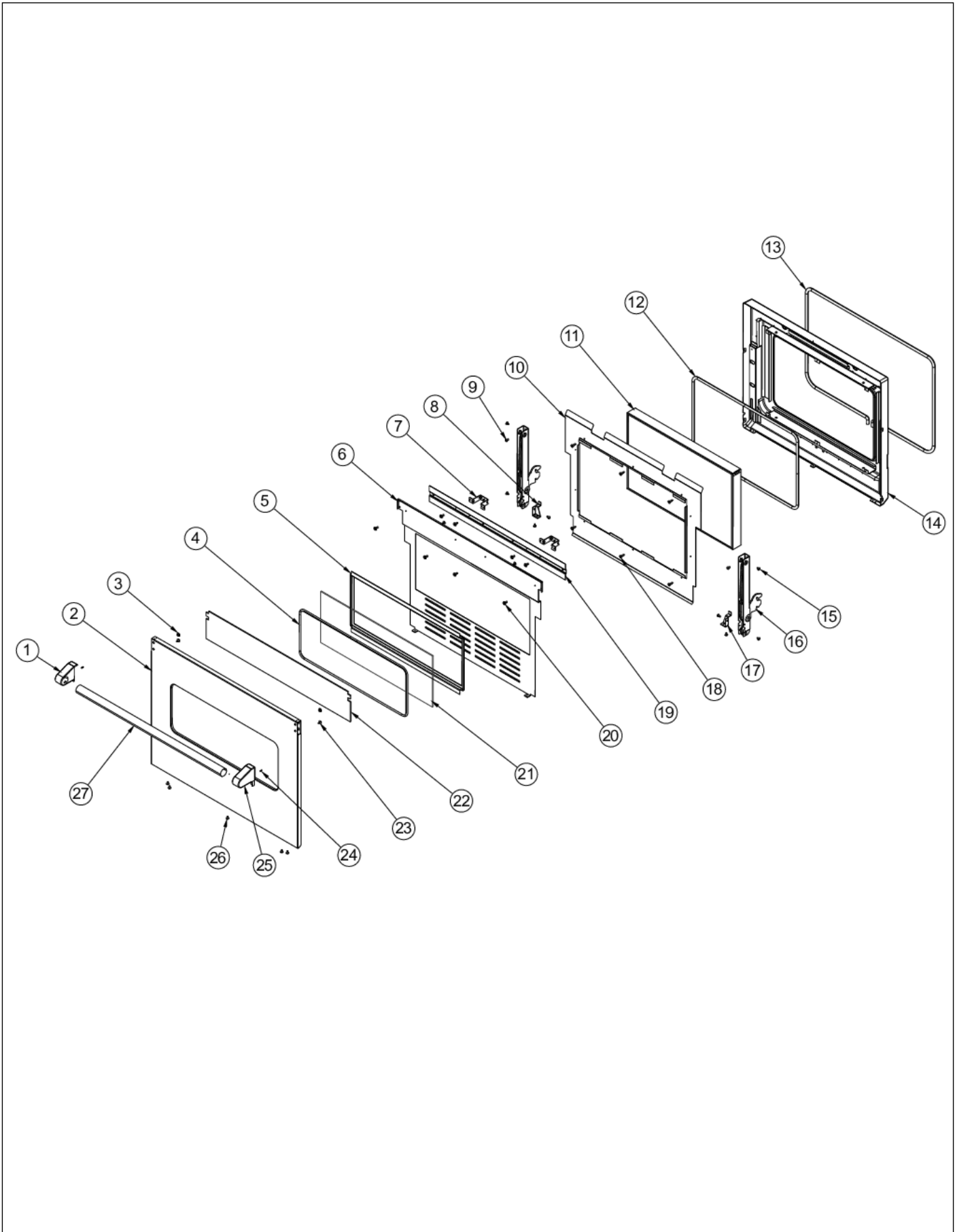


Item	Part No.	Name	Qty	Uom	NOTES
1	046142-556	CONTROL, EOC4, LED, V39/V51 & FAMILY	2	EA	
1	015201-000	LINEAR POWER SUPPLY	1	EA	
1	024440-000	RIBBON CABLE, EOC4, TO LPS	2	EA	
1	017047-000	TOD2 RIBBON CABLE	1	EA	
1	005292-000	HARN,HEADER, MODEL 5 (SEE MODEL_HEADER)	1	EA	
1	005294-000	MODEL 7 HEADER	1	EA	

LOWER DOOR ASSEMBLY

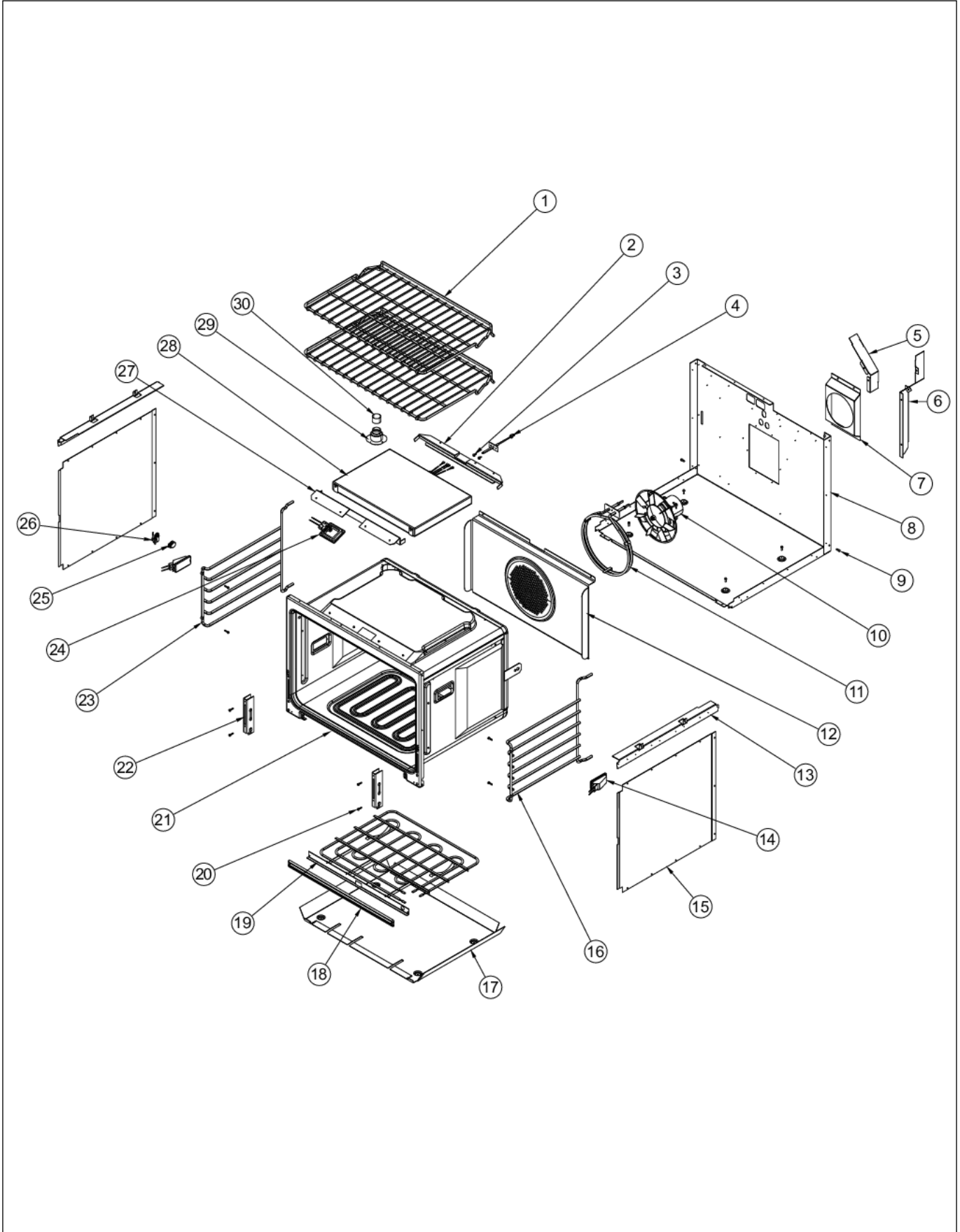


Item	Part No.	Name	Qty	Uom	NOTES
1	025186-000	ENDCAP,DOOR HDL,ASM,LH	1	EA	
1	025186-100	ENDCAP, DOOR HDL, ASM, LH, BR	1	EA	
2	030887-000	30" LOWER DOOR SKIN KIT - SS		EA	
3	004907-000	STEEL FINISHING PLUG, NICKEL PLTD 25/64" HOLE	2	EA	
4	PE060105	30" J-MOLD (CHROME)	1	EA	
Not Shown	NOTE	(NOT FIELD REPLACEABLE - MUST ORDER ITEM # 2)		EA	
5	L20014077	30" WINDOW HOLDER	1	EA	
6	023994-000	PANEL,INSL	1	EA	
7	024005-000	BRACKET	2	EA	
8	A20012641	HINGE SUPPORT LH	1	EA	
9	PD020004	10X3/8PH.HD.TYPE 25 REPL PD040125	4	EA	
10	A2009632	PANEL, INULATION, INNER DOOR	1	EA	
11	PE060094	30 WINDOW PACK	1	EA	
12	000594-000	BLACK FIBERGLASS ROPE 3/8	1	EA	
13	PB070246	30" DOOR GASKET	1	EA	
14	G9109625	DOOR LINER PORC.	1	EA	
Not Shown	NOTE	(BEFORE 12/20/12)		EA	
14	G9109625BK	LINER,DOOR,PORC 30" BK	1	EA	
Not Shown	NOTE	(ON OR AFTER 12/20/12)		EA	
15	PD020063	SCREW-#8(A) X 3/8"PH WFR HD/BK OXID	8	EA	
16	023799-000	HINGE, MANSFIELD, RED	2	EA	See TC-0121-SP Service Bulletin
17	A20012640	HINGE SUPPORT RH	1	EA	
18	PD020014	10X3/4 PH TR HD SMS	6	EA	
19	002732-000	DOOR SKIN MOUNTING BRACKET ASSY	1	EA	
20	PD020033	SRW-#10-24X1/2"(23)PH.WFR HD (NKL)	8	EA	
21	PE060090	30" PROF. OUTER DOOR GLASS	1	EA	

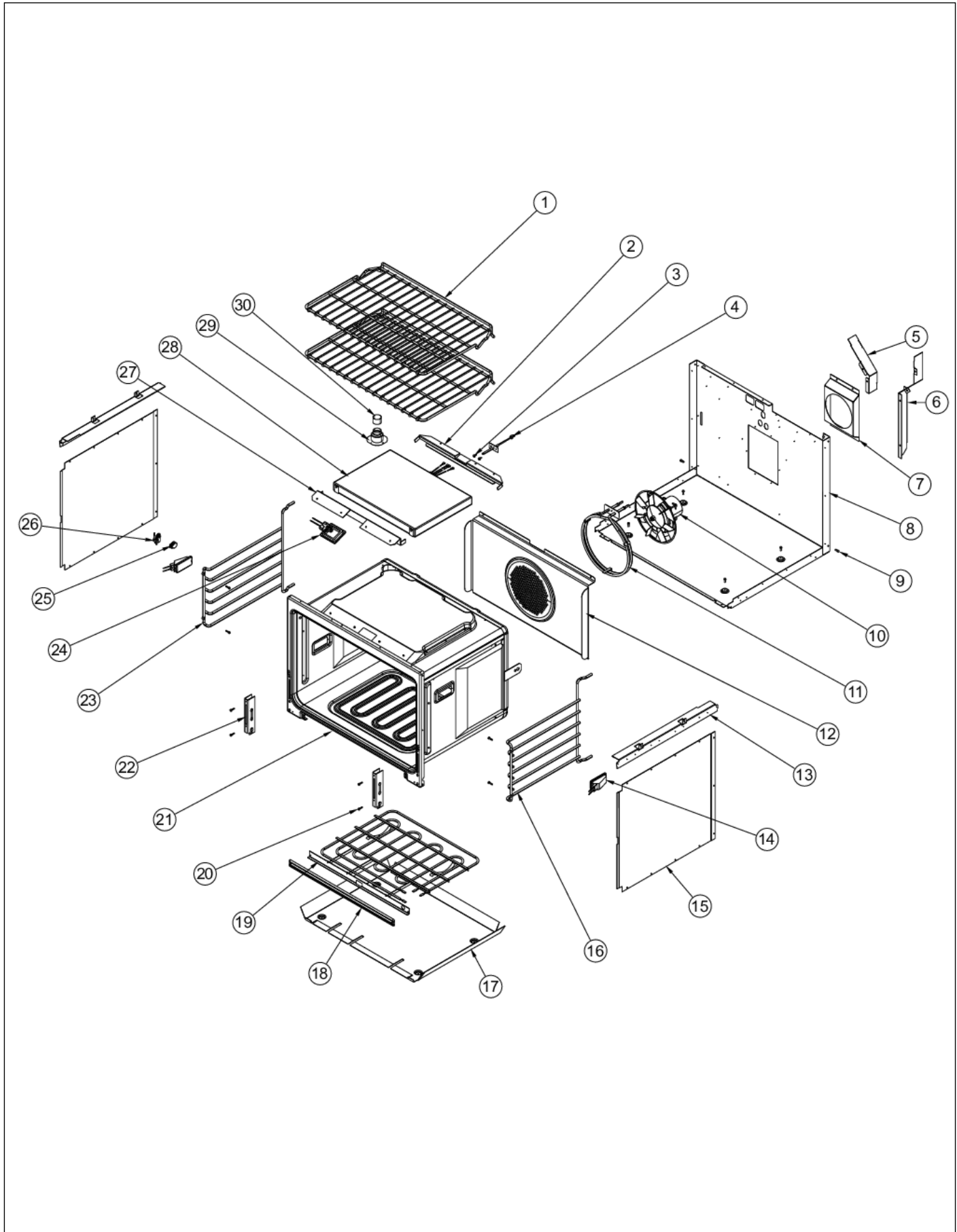


Item	Part No.	Name	Qty	Uom	NOTES
Not Shown	NOTE	(NOT FIELD REPLACEABLE - MUST ORDER ITEM # 2)		EA	
22	025264-000	PANEL,INSL,30", DOOR	1	EA	
23	PD020073	SRW #10 X 24 X 3/8 WAFER HD TYPE23	2	EA	
24	003650-000	SET SCREW	2	EA	Not available online / Call for pricing and availability
25	025187-000	ENDCAP,DOOR HDL,ASM,RH	1	EA	
25	025187-100	ENDCAP, DOOR HDL, ASM, RH, BR	1	EA	
26	PD020032	SRW-8(A)X3/8"PH.WFR HD 7/16DIA*NICL	5	EA	
27	023998-000	HANDLE DOOR 30" 29.126	1	EA	
NI	024996-000	30" DOOR PANEL ASM, W/O LOGO, SS	1	EA	
NI	025513-002	30" DOOR PANEL ASM, W/O LOGO, BK	1	EA	Not available online / Call for pricing and availability
NI	025513-006	30" DOOR PANEL ASM, W/O LOGO, WH	1	EA	
NI	024996-100	30" DOOR PANEL ASM, W/O LOGO, SS/BR	1	EA	
NI	025513-102	30" DOOR PANEL ASM, W/O LOGO, (BK/BR)	1	EA	
NI	025513-106	30" DOOR PANEL ASM, W/O LOGO, (WH/BR)	1	EA	
NI	024997-000	30" DOOR ASM, W/O LOGO	1	EA	
NI	025514-002	30" DOOR ASM W/O LOGO, DCBZ (BK/BR)	1	EA	
NI	025514-006	30" DOOR ASM W/O LOGO, DCBZ (WH/BR)	1	EA	
NI	024997-100	30" DOOR ASM W/O LOGO, SS/BR	1	EA	
NI	025514-102	30" DOOR ASM W/O LOGO, DCBZ (BK/BR)	1	EA	
NI	025514-106	30" DOOR ASM W/O LOGO, DCBZ (WH/BR)	1	EA	

LOWER OVEN CAVITY



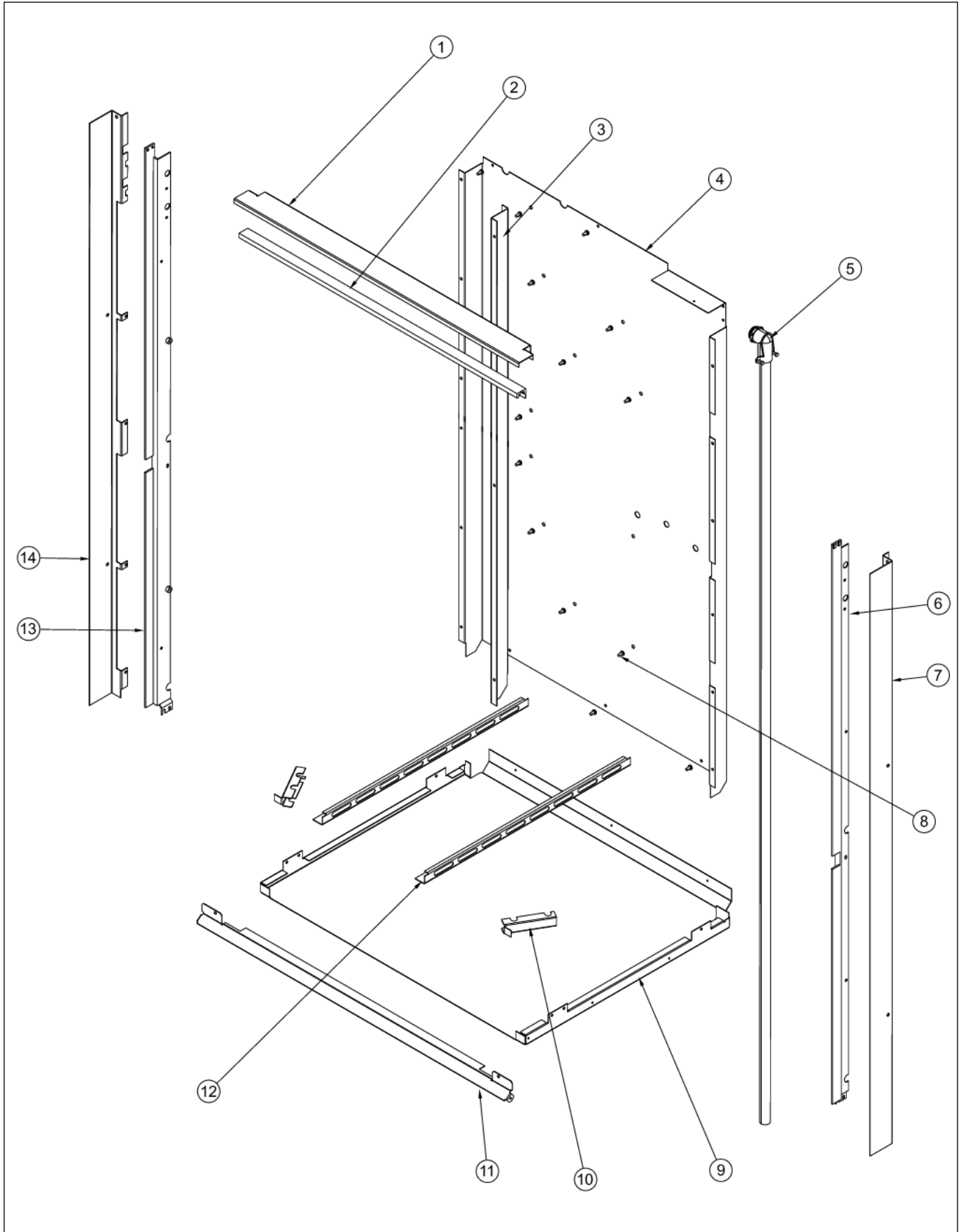
Item	Part No.	Name	Qty	Uom	NOTES
1	PB060107	30" OVEN RACK	2	EA	
NI	024102-000	PULLOUT RACK, 30"	1	EA	
2	024221-000	BRACKET, BROILER, REAR	1	EA	
3	PD020055	' #10 X 1/2" PAN PHIL. TEK.*SS*	2	EA	
4	PE050206	RTD THERMOSTAT PROBE	1	EA	
5	A21010919	BRACKET, AIR, CONVECTION MOTOR	1	EA	NO LONGER AVAILABLE, Not available online / Call for pricing and availability
6	A2009699	REAR AIR DIVIDER, DBL, LOWER OVEN	1	EA	Not available online / Call for pricing and availability
7	A2009697	BRACKET, CONVECTION INSULATION	1	EA	
8	UNSERVICEABLE	BASE, BACK WRAPPER	1	EA	
9	PD020060	10 X 1/2" (5/16)HEX WSHER HD.(T)A	6	EA	
10	G32014020	CONVECTION FAN ASSY	1	EA	
11	PJ010047	CONVECTION ELEMENT	1	EA	
12	G91013598	30" BAFFLE ASSEMBLY	1	EA	
13	A2009641	BRKT, TOP WRAPPER	2	EA	
14	005311-000	LAMP, OVEN, 120V/25W	2	EA	
15	014137-000	WRAPPER, OVEN SIDE	2	EA	
16	003039-000	RACK GUIDE ASSY, RH	1	EA	
17	A2009612	ELEMENT, MTG TRAY	1	EA	
18	E9109655	COVER, BAKE TRAY	1	EA	
19	PJ010048	BAKE ELEMENT	1	EA	
20	PD020232	#8 X 3/4" PH PAN HEAD TEK SCREW (BLACK OXIDE)	8	EA	
21	UNSERVICEABLE	30" PREMIERE CAVITY ASSY	1	EA	
22	PC020221	HINGE POCKET RECEIVER MANSFIELD RH	1	EA	See TC-0121- SP Service Bulletin
NI	PC020247	HINGE POCKET RECEIVER MANSFIELD LH	1	EA	See TC-0121- SP Bulletin
23	003040-000	RACK GUIDE ASSY, LH	1	EA	
24	020403-000	LAMP, OVEN, 120V/40W	1	EA	





Item	Part No.	Name	Qty	Uom	NOTES
25	PM010160	MEAT PROBE JACK COVER (SWITCHCRAFT'S PART# 2C1098)	1	EA	
26	PE050115	MEAT PROBE JACK (SWITCHCRAFT'S PART# 3J1505)	1	EA	
<p>Comments for Part Num. PE050115</p> <p>bradleysapplianceservice@shaw.ca on May 8, 2017 Meat probe is not illustrated on Parts Break Down. PE050114 MEAT PROBE</p>					
27	024234-000	BRACKET, BROILER, FRONT	1	EA	
28	PJ010049	BROIL ELEMENT	1	EA	
29	PM010014	SMOKE ELIMINATOR (VDSC)	1	EA	
30	PB020275	VENT TUBE	1	EA	
NI	024400-000	LOWER HARNESS	1	EA	
Not Shown	NOTE	(BEFORE 05/29/13)		EA	
NI	042073-000	HARNESS, LOWER, VEDO130/27, W/EOC4	1	EA	
Not Shown	NOTE	(ON OR AFTER 05/29/13)		EA	
NI	000915-000	LIMIT JUMPER	1	EA	

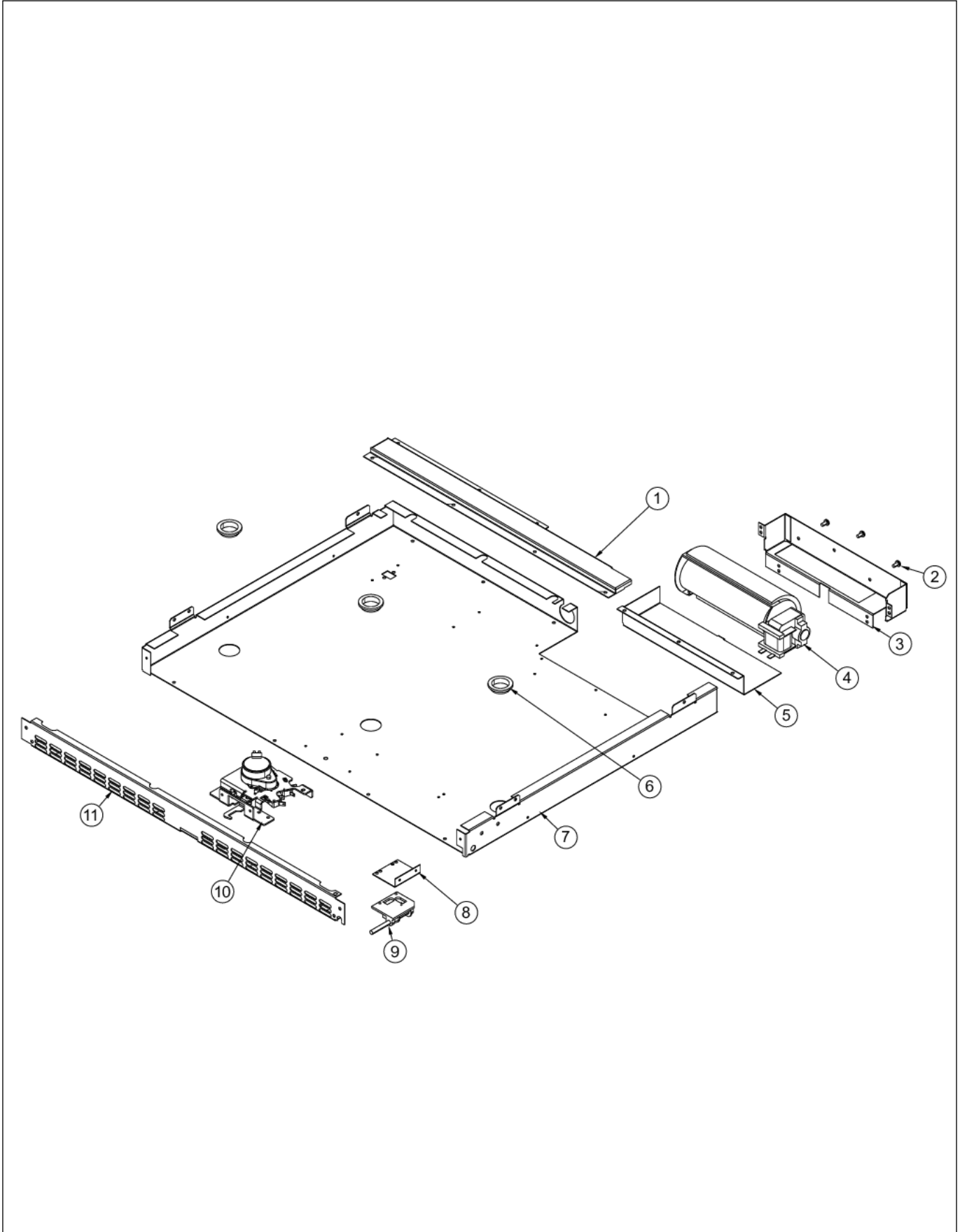
LOWER UNIT AND SIDE TRIM





Item	Part No.	Name	Qty	Uom	NOTES
1	024268-000	TRIM, TOP, FLUSH, 30"	1	EA	
2	024253-000	TRIM, TOP, 30"	1	EA	
3	A2009684	REAR AIR DIVIDER, DOUBLE OVEN	1	EA	
4	A2009683	PANEL, REAR	1	EA	NO LONGER AVAILABLE, Not available online / Call for pricing and availability
5	040196-000	CONDUIT, ELECTRICAL CORD, 48"	1	EA	
6	024256-000	TRIM,EXTD,RH, DBL	1	EA	
7	024266-000	TRIM, R, FLUSH, DBL	1	EA	
8	PD020004	10X3/8PH.HD.TYPE 25 REPL PD040125	15	EA	
9	A2009623	BASE PAN 30"	1	EA	NO LONGER AVAILABLE
10	A20012739	BASE PAN CORNER BRACE	2	EA	NOT FIELD REPLACEABLE, Not available online / Call for pricing and availability
11	025063-002	VENT, DFTR, 30"	1	EA	
12	A20012740	STIFFENER, BASE PAN	2	EA	NO LONGER AVAILABLE, Not available online / Call for pricing and availability
13	024257-000	TRIM,EXTD,LH, DBL	1	EA	
14	024267-000	TRIM, L, FLUSH, DBL	1	EA	

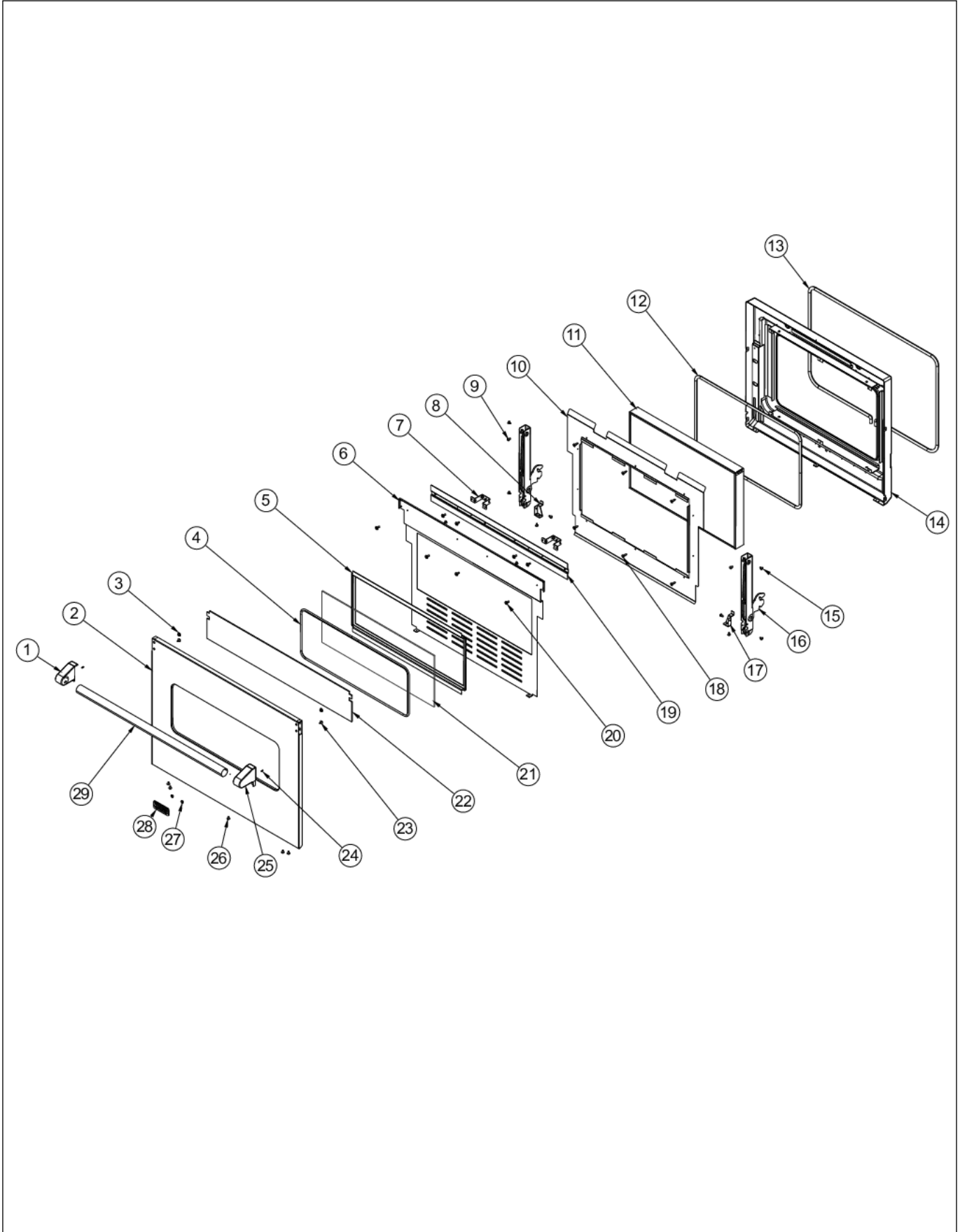
MIDDLE EXTERIOR AREA



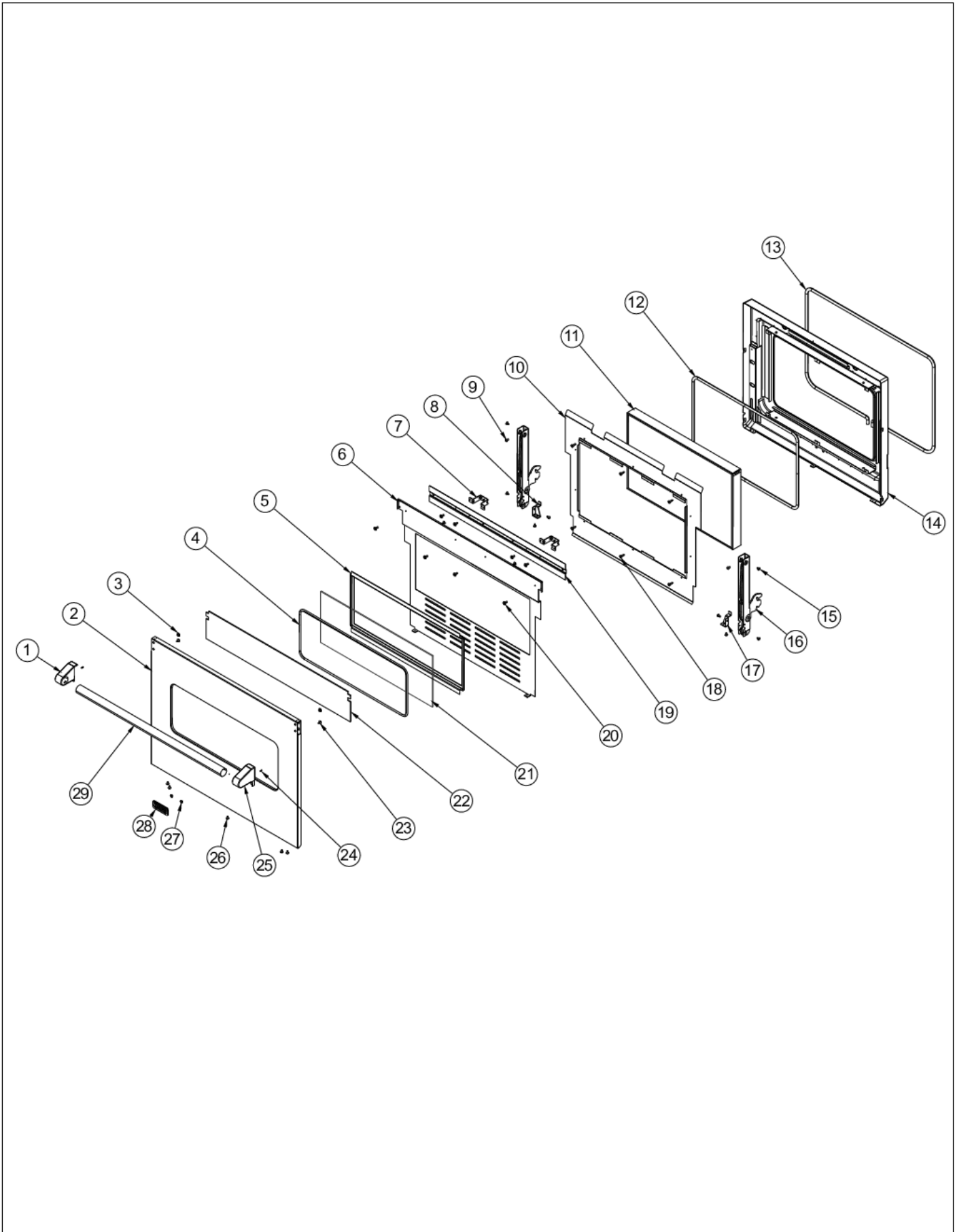


Item	Part No.	Name	Qty	Uom	NOTES
1	A2009682	CATALYST EXHAUST, MIDDLE MODULE	1	EA	
2	PD020004	10X3/8PH.HD.TYPE 25 REPL PD040125	3	EA	
3	A3009660	BRACKET, BLOWER, DBL LOWER OVEN	1	EA	
4	PE050250	Blower	1	EA	
<p>Comments for Part Num. PE050250</p> <p>highendappsvc@gmail.com on Jan 28, 2019</p> <p>If you need to replace cooling fan for the model vgsc5486gss serial date code 031412, do not order this fan, this fan is larger and configured wrong. The correct fan is 007794-000. it is smaller.</p>					
Not Shown	NOTE	(BEFORE 2/4/13)		EA	
4	018607-000	FAN, BLO, 220-240V 50/60Hz ASM (MT1664)	1	EA	
Not Shown	NOTE	(AFTER 2/4/13)		EA	
5	A2009659	Blower Bracket	1	EA	
6	PB070079	SILICONE EXTRUSION (DGSU)	3	EA	
7	A2009661	MODULE PAN 30"	1	EA	
8	A20012649	DOOR SWITCH BRACKET	1	EA	
9	PE050208	DOOR SWITCH	1	EA	
10	013250-000	LATCH,DOOR,ASM,240V,GRID DLE LOCKOUT	1	EA	
Not Shown	NOTE	(BEFORE 10/31/13)		EA	
10	039293-000	LATCH, ELEC, 240V, ASSY	1	EA	
Not Shown	NOTE	(ON OR AFTER 10/31/13)		EA	
11	020478-002	GRILL, INL, LOWER, DBL OVEN, 30" *BK*	1	EA	Not available online / Call for pricing and availability

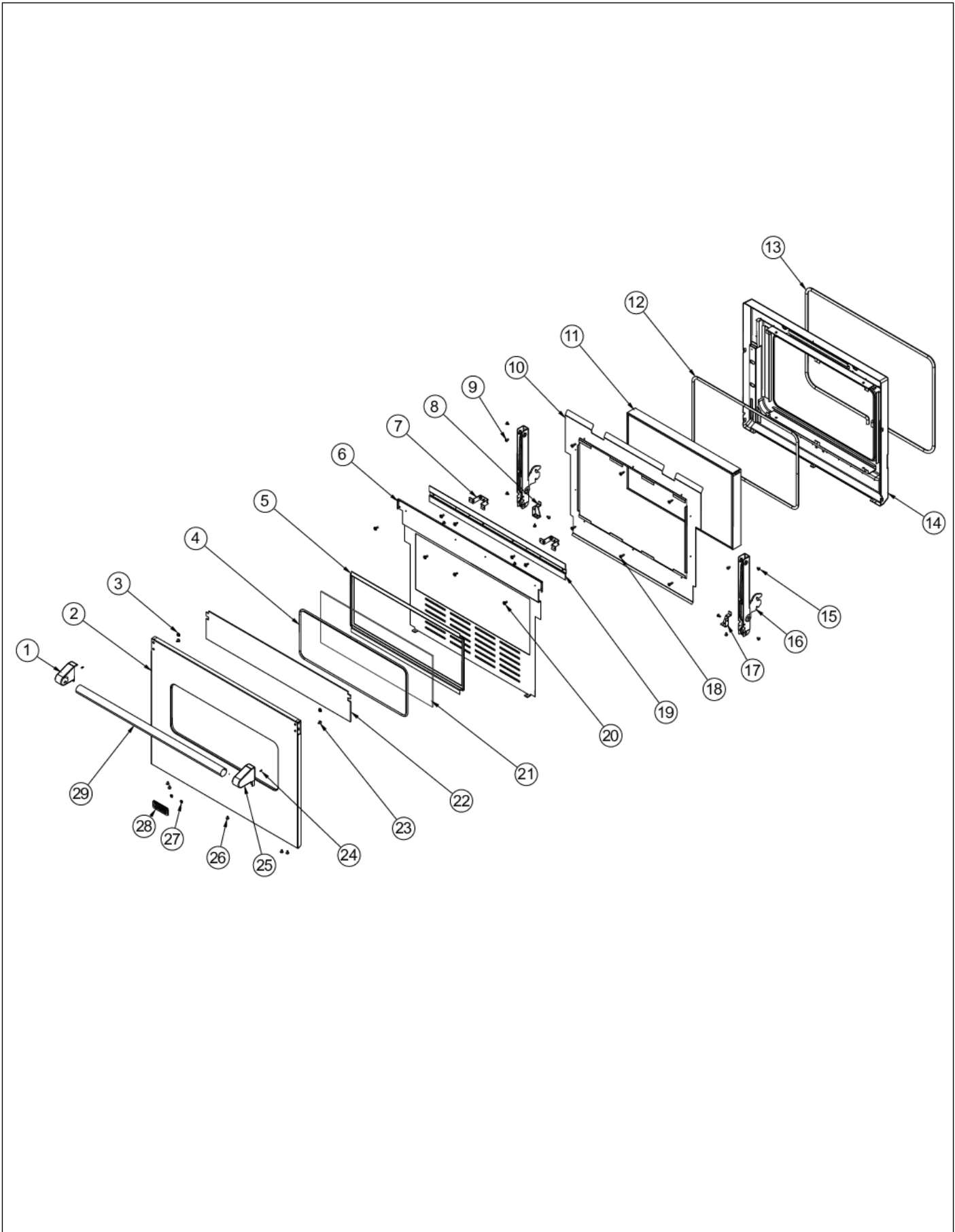
UPPER DOOR ASSEMBLY



Item	Part No.	Name	Qty	Uom	NOTES
1	025186-000	ENDCAP,DOOR HDL,ASM,LH	1	EA	
1	025186-100	ENDCAP, DOOR HDL, ASM, LH, BR	1	EA	
2	030888-000	30" UPPER DOOR SKIN KIT - SS		EA	
3	004907-000	STEEL FINISHING PLUG, NICKEL PLTD 25/64" HOLE	2	EA	
4	PE060105	30" J-MOLD (CHROME)	1	EA	
Not Shown	NOTE	(NOT FIELD REPLACEABLE - MUST ORDER ITEM # 2)		EA	
5	L20014077	30" WINDOW HOLDER	1	EA	
6	023994-000	PANEL,INSL	1	EA	
7	024005-000	BRACKET	2	EA	
8	A20012641	HINGE SUPPORT LH	1	EA	
9	PD020004	10X3/8PH.HD.TYPE 25 REPL PD040125	4	EA	
10	A2009632	PANEL, INULATION, INNER DOOR	1	EA	
11	PE060094	30 WINDOW PACK	1	EA	
12	000594-000	BLACK FIBERGLASS ROPE 3/8	1	EA	
13	PB070246	30" DOOR GASKET	1	EA	
14	G9109625	DOOR LINER PORC.	1	EA	
Not Shown	NOTE	(BEFORE 12/20/12)		EA	
14	G9109625BK	LINER,DOOR,PORC 30" BK	1	EA	
Not Shown	NOTE	(ON OR AFTER 12/20/12)		EA	
15	PD020063	SCREW-#8(A) X 3/8"PH WFR HD/BK OXID	8	EA	
16	023799-000	HINGE, MANSFIELD, RED	2	EA	See TC-0121-SP Service Bulletin
17	A20012640	HINGE SUPPORT RH	1	EA	
18	PD020014	10X3/4 PH TR HD SMS	6	EA	
19	002732-000	DOOR SKIN MOUNTING BRACKET ASSY	1	EA	
20	PD020033	SRW-#10-24X1/2"(23)PH.WFR HD (NKL)	8	EA	
21	PE060090	30" PROF. OUTER DOOR GLASS	1	EA	



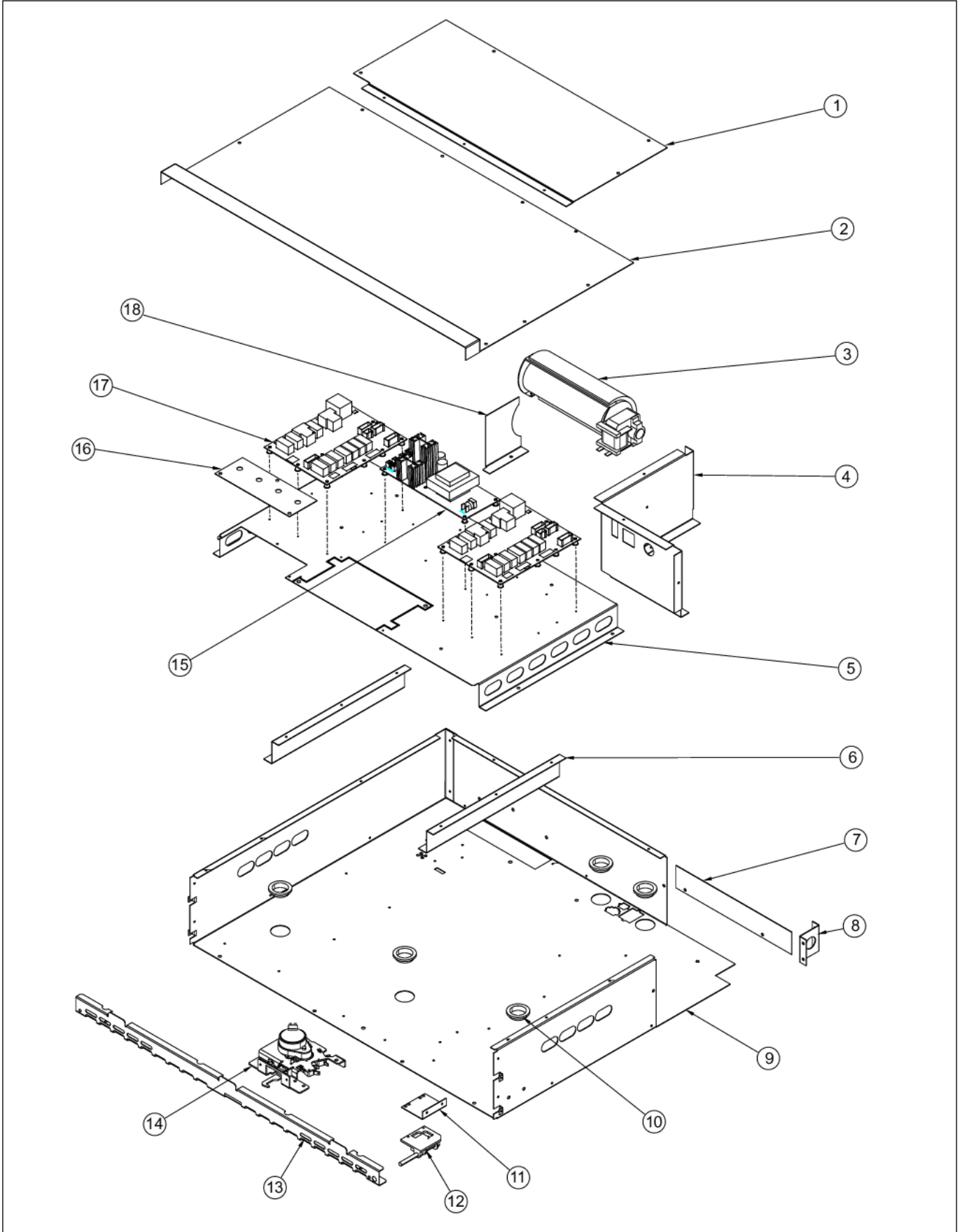
Item	Part No.	Name	Qty	Uom	NOTES
Not Shown	NOTE	(NOT FIELD REPLACEABLE - MUST ORDER ITEM # 2)		EA	
22	025264-000	PANEL,INSL,30", DOOR	1	EA	
23	PD020073	SRW #10 X 24 X 3/8 WAFER HD TYPE23	2	EA	
24	003650-000	SET SCREW	2	EA	Not available online / Call for pricing and availability
25	025187-000	ENDCAP,DOOR HDL,ASM,RH	1	EA	
25	025187-100	ENDCAP, DOOR HDL, ASM, RH, BR	1	EA	
26	PD020032	SRW-8(A)X3/8"PH.WFR HD 7/16DIA*NICL	5	EA	
27	PD030006	CAPPED WASHER PAL NUT	2	EA	
28	PE010142	3" VIKING LOGO BLACK/CHROME	1	EA	
28	PE010143	3" LOGO BK/BR	1	EA	
28	PE010145	LOGO - WH / BR	1	EA	
29	023998-000	HANDLE DOOR 30" 29.126	1	EA	
NI	023995-000	30" PRO DOOR PANEL ASM, W/LOGO, SS	1	EA	
NI	025510-002	30" PRO DOOR PANEL ASM W/LOGO, BK	1	EA	
NI	025510-006	30" PRO DOOR PANEL ASM W/LOGO, WH	1	EA	
NI	023995-100	30" PRO DOOR PANEL ASM, W/LOGO, SS/BR - NLA	1	EA	
NI	025510-102	30" PRO DOOR PANEL ASM W/LOGO, BK/BR	1	EA	
NI	025510-106	30" PRO DOOR PANEL ASM W/LOGO, WH/BR	1	EA	
NI	023999-000	30" DOOR ASM, W/LOGO, SS	1	EA	
NI	025511-002	30" DOOR ASM, W/LOGO, BK	1	EA	
NI	025511-006	30" DOOR ASM, W/LOGO, WH	1	EA	
NI	023999-100	30" DOOR ASM, W/LOGO, SS/BR - NLA	1	EA	
NI	025511-102	30" DOOR ASM, W/LOGO, BK/BR	1	EA	



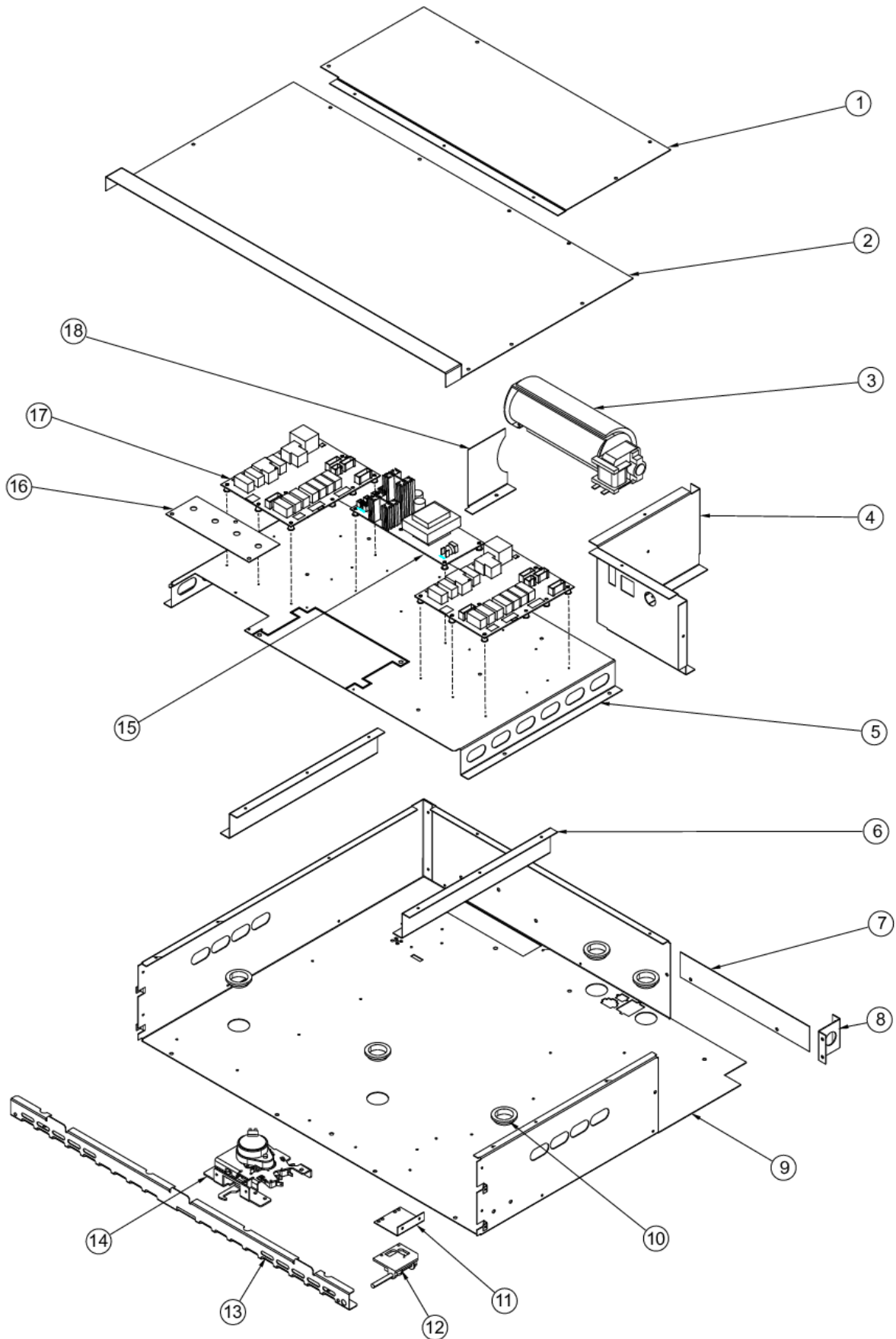


Item	Part No.	Name	Qty	Uom	NOTES
NI	025511-106	30" DOOR ASM, W/LOGO, WH/BR	1	EA	Not available online / Call for pricing and availability
NI	036914-000	30 WALL OVEN DOOR SERVICE KIT	1	EA	
Not Shown	NOTE	(FOR UNITS MANUFACTURED BEFORE 2/14/12)		EA	

UPPER EXTERIOR AREA



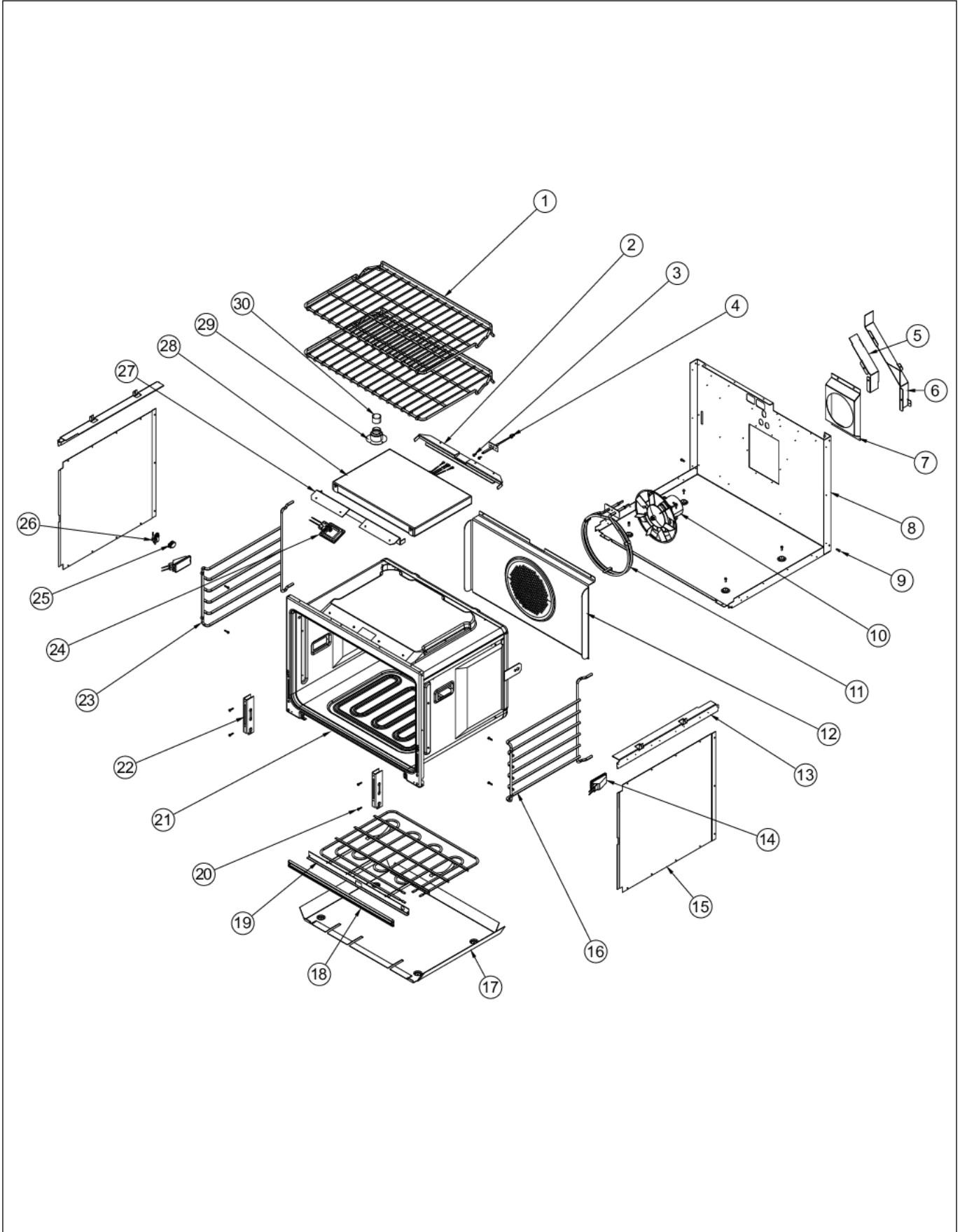
Item	Part No.	Name	Qty	Uom	NOTES
1	A20014049	30" REAR COVER	1	EA	
2	025057-000	PANEL,CVR, TOP, FR, 30"	1	EA	
3	PE050250	Blower	1	EA	
Comments for Part Num. PE050250 highendappsvc@gmail.com on Jan 28, 2019 If you need to replace cooling fan for the model vgsc5486gss serial date code 031412, do not order this fan, this fan is larger and configured wrong. The correct fan is 007794-000. it is smaller.					
Not Shown	NOTE	(BEFORE 2/4/13)		EA	
3	018607-000	FAN, BLO, 220-240V 50/60Hz ASM (MT1664)	1	EA	
Not Shown	NOTE	(AFTER 2/4/13)		EA	
4	A20010934	BRACKET, MODULE PAN	1	EA	
5	023367-000	30" MTG PANEL, CONTROL	1	EA	
6	A20010910	Support Bracket, Electronics Hat	2	EA	Not available online / Call for pricing and availability
7	A10010907	COVER, BLOWER	1	EA	
8	A2009671	BRACKET, POWER CABLE	1	EA	
9	A2009643	Top Module Pan	1	EA	
10	PB070079	SILICONE EXTRUSION (DGSU)	5	EA	
11	A20012649	DOOR SWITCH BRACKET	1	EA	
12	PE050208	DOOR SWITCH	1	EA	
13	C20014072	30" INLET GRILL	1	EA	Not available online / Call for pricing and availability
14	013250-000	LATCH,DOOR,ASM,240V,GRID DLE LOCKOUT	1	EA	
Not Shown	NOTE	(BEFORE 10/31/13)		EA	
14	039293-000	LATCH, ELEC, 240V, ASSY	1	EA	
Not Shown	NOTE	(ON OR AFTER 10/31/13)		EA	
15	015201-000	LINEAR POWER SUPPLY	1	EA	
16	A10014027	4 CAPACITOR BRACKET	1	EA	



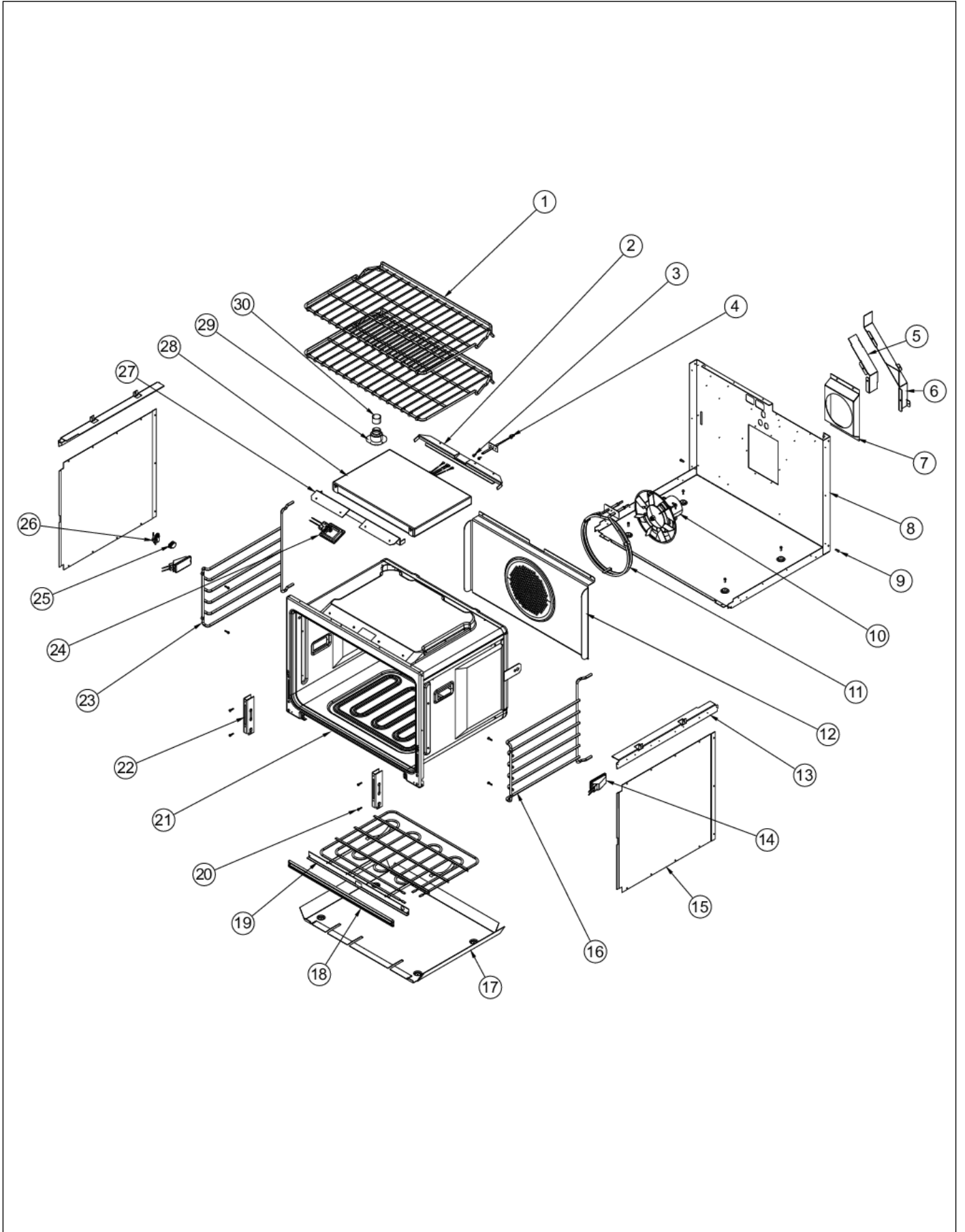


Item	Part No.	Name	Qty	Uom	NOTES
NI	053905-000	CAPACITOR, MOTOR, 3uF	4	EA	
17	014000-000	EOC4-CONTROL BOARD	2	EA	
18	A2009667	REAR AIR DIVIDER	1	EA	

UPPER OVEN CAVITY



Item	Part No.	Name	Qty	Uom	NOTES
1	PB060107	30" OVEN RACK	2	EA	
NI	024102-000	PULLOUT RACK, 30"	1	EA	
2	024221-000	BRACKET, BROILER, REAR	1	EA	
3	PD020055	' #10 X 1/2" PAN PHIL. TEK.*SS*	2	EA	
4	PE050206	RTD THERMOSTAT PROBE	1	EA	
5	A21010919	BRACKET, AIR, CONVECTION MOTOR	1	EA	NO LONGER AVAILABLE, Not available online / Call for pricing and availability
6	A21010918	BRACKET, AIR, CONVECTION MOTOR	1	EA	NO LONGER AVAILABLE, Not available online / Call for pricing and availability
7	A2009697	BRACKET, CONVECTION INSULATION	1	EA	
8	UNSERVICEABLE	BASE, BACK WRAPPER	1	EA	
9	PD020060	10 X 1/2" (5/16)HEX WSHER HD.(T)A	6	EA	
10	G32014020	CONVECTION FAN ASSY	1	EA	
11	PJ010047	CONVECTION ELEMENT	1	EA	
12	G91013598	30" BAFFLE ASSEMBLY	1	EA	
13	A2009641	BRKT, TOP WRAPPER	2	EA	
14	005311-000	LAMP, OVEN, 120V/25W	2	EA	
15	014137-000	WRAPPER, OVEN SIDE	2	EA	
16	003039-000	RACK GUIDE ASSY, RH	1	EA	
17	A2009612	ELEMENT, MTG TRAY	1	EA	
18	E9109655	COVER, BAKE TRAY	1	EA	
19	PJ010048	BAKE ELEMENT	1	EA	
20	PD020232	#8 X 3/4" PH PAN HEAD TEK SCREW (BLACK OXIDE)	8	EA	
21	UNSERVICEABLE	30" PREMIERE CAVITY ASSY	1	EA	
22	PC020221	HINGE POCKET RECEIVER MANSFIELD RH	1	EA	See TC-0121- SP Service Bulletin
NI	PC020247	HINGE POCKET RECEIVER MANSFIELD LH	1	EA	See TC-0121- SP Bulletin
23	003040-000	RACK GUIDE ASSY, LH	1	EA	





Item	Part No.	Name	Qty	Uom	NOTES
24	020403-000	LAMP, OVEN, 120V/40W	1	EA	
25	PM010160	MEAT PROBE JACK COVER (SWITCHCRAFT'S PART# 2C1098)	1	EA	
Not Shown	NOTE	(NOT USED ON THIS MODEL)		EA	
26	PE050115	MEAT PROBE JACK (SWITCHCRAFT'S PART# 3J1505)	1	EA	
<p>Comments for Part Num. PE050115</p> <p>bradleysapplianceservice@shaw.ca on May 8, 2017 Meat probe is not illustrated on Parts Break Down. PE050114 MEAT PROBE</p>					
Not Shown	NOTE	(NOT USED ON THIS MODEL)		EA	
27	024234-000	BRACKET, BROILER, FRONT	1	EA	
28	PJ010049	BROIL ELEMENT	1	EA	
29	PM010014	SMOKE ELIMINATOR (VDSC)	1	EA	
30	PB020275	VENT TUBE	1	EA	
NI	024399-000	UPPER OR SINGLE HARNESS	1	EA	
Not Shown	NOTE	(BEFORE 05/29/13)		EA	
NI	042069-000	HARNESS, UPPER, VESO130/27 EOC4	1	EA	
Not Shown	NOTE	(ON OR AFTER 05/29/13)		EA	
NI	000915-000	LIMIT JUMPER	1	EA	



Appendix A:Pages Index

CONTROL AREA 1
CONTROL BD WIRING 2
LOWER DOOR ASSEMBLY 3
LOWER OVEN CAVITY 4
LOWER UNIT AND SIDE TRIM 5
MIDDLE EXTERIOR AREA 6
UPPER DOOR ASSEMBLY 7
UPPER EXTERIOR AREA 8
UPPER OVEN CAVITY 9



Appendix B:Parts Index

000594-000	3, 7	024400-000	4
000915-000	4, 9	024440-000	2
002732-000	3, 7	024766-2293	1
003039-000	4, 9	024774-000	1
003040-000	4, 9	024810-000	1
003650-000	3, 7	024996-000	3
004907-000	3, 7	024996-100	3
005292-000	2	024997-000	3
005294-000	2	024997-100	3
005311-000	4, 9	025057-000	8
013250-000	6, 8	025058-000	1
014000-000	8	025063-002	5
014137-000	4, 9	025186-000	3, 7
015043-000	1	025186-100	3, 7
015201-000	2, 8	025187-000	3, 7
015662-000	1	025187-100	3, 7
017047-000	2	025264-000	3, 7
018607-000	6, 8	025510-002	7
020403-000	4, 9	025510-006	7
020478-002	6	025510-102	7
020619-526	1	025510-106	7
023367-000	8	025511-002	7
023799-000	3, 7	025511-006	7
023994-000	3, 7	025511-102	7
023995-000	7	025511-106	7
023995-100	7	025513-002	3
023998-000	3, 7	025513-006	3
023999-000	7	025513-102	3
023999-100	7	025513-106	3
024005-000	3, 7	025514-002	3
024102-000	4, 9	025514-006	3
024221-000	4, 9	025514-102	3
024234-000	4, 9	025514-106	3
024253-000	5	030887-000	3
024256-000	5	030888-000	7
024257-000	5	036525-2293	1
024266-000	5	036576-000	1
024267-000	5	036914-000	7
024268-000	5	039293-000	6, 8
024399-000	9	040196-000	5
		042069-000	9



042073-000	4	PB010315	1
046142-556	2	PB020275	4, 9
050172-000	1	PB060107	4, 9
053905-000	8	PB070079	6, 8
A10010907	8	PB070246	3, 7
A10014027	8	PC020221	4, 9
A20010910	8	PC020247	4, 9
A20010934	8	PD020004	1, 3, 5, 6, 7
A20012640	3, 7	PD020014	3, 7
A20012641	3, 7	PD020032	1, 3, 7
A20012649	6, 8	PD020033	3, 7
A20012739	5	PD020055	4, 9
A20012740	5	PD020060	4, 9
A20014049	8	PD020063	3, 7
A2009612	4, 9	PD020073	3, 7
A2009623	5	PD020232	4, 9
A2009632	3, 7	PD020261	1
A2009641	4, 9	PD030006	7
A2009643	8	PE010142	7
A2009659	6	PE010143	7
A2009661	6	PE010145	7
A2009667	8	PE050115	4, 9
A2009671	8	PE050206	4, 9
A2009682	6	PE050208	6, 8
A2009683	5	PE050250	6, 8
A2009684	5	PE060090	3, 7
A2009697	4, 9	PE060094	3, 7
A2009699	4	PE060105	3, 7
A21010918	9	PJ010047	4, 9
A21010919	4, 9	PJ010048	4, 9
A3009660	6	PJ010049	4, 9
C20014072	8	PJ030033	1
E9109655	4, 9	PJ030034	1
G32014020	4, 9	PJ030035	1
G40015469	1	PM010014	4, 9
G91013598	4, 9	PM010160	4, 9
G9109625	3, 7		
G9109625BK	3, 7		
L20014077	3, 7		
PA010093	1		
PB010314	1		