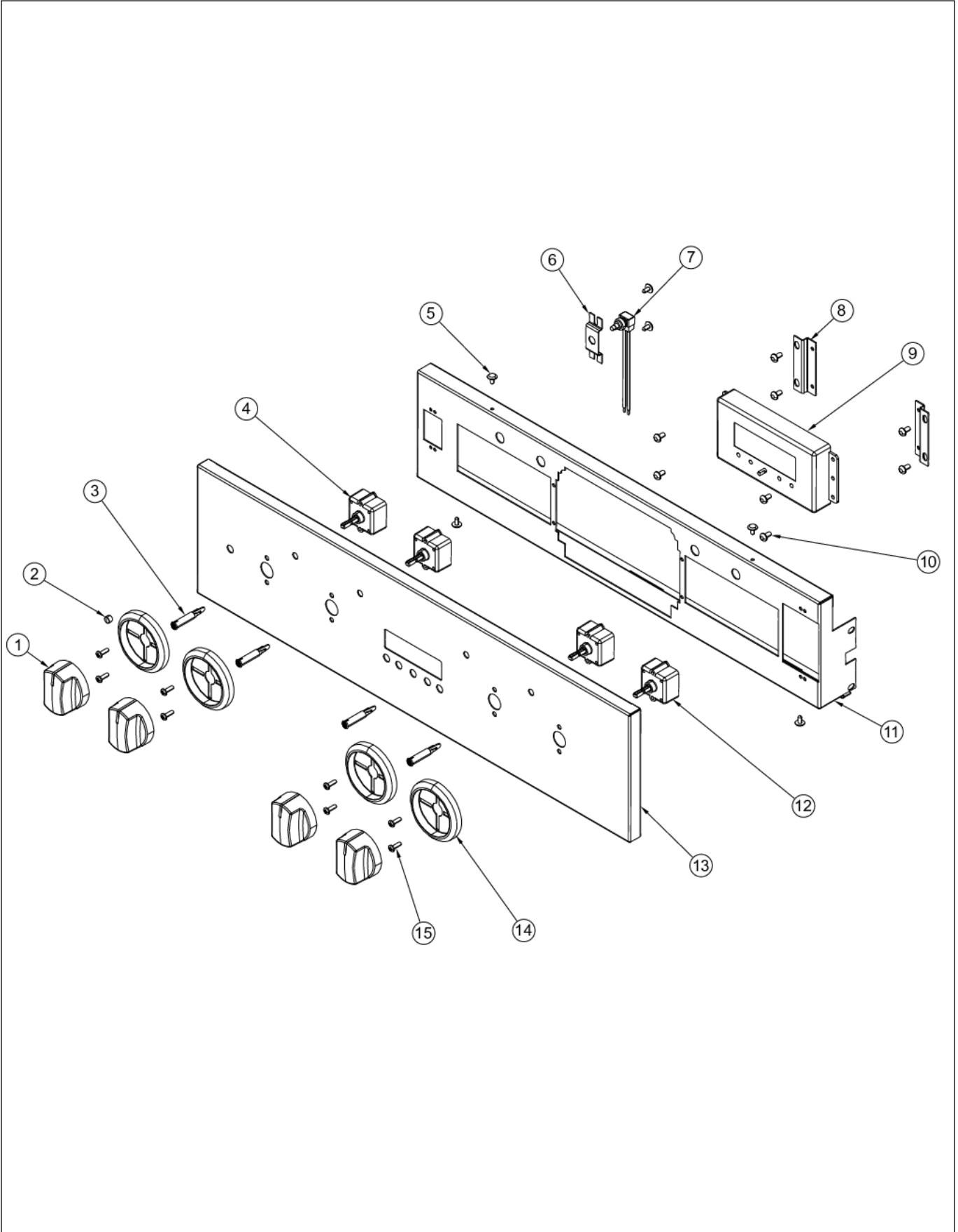


VEDO1272

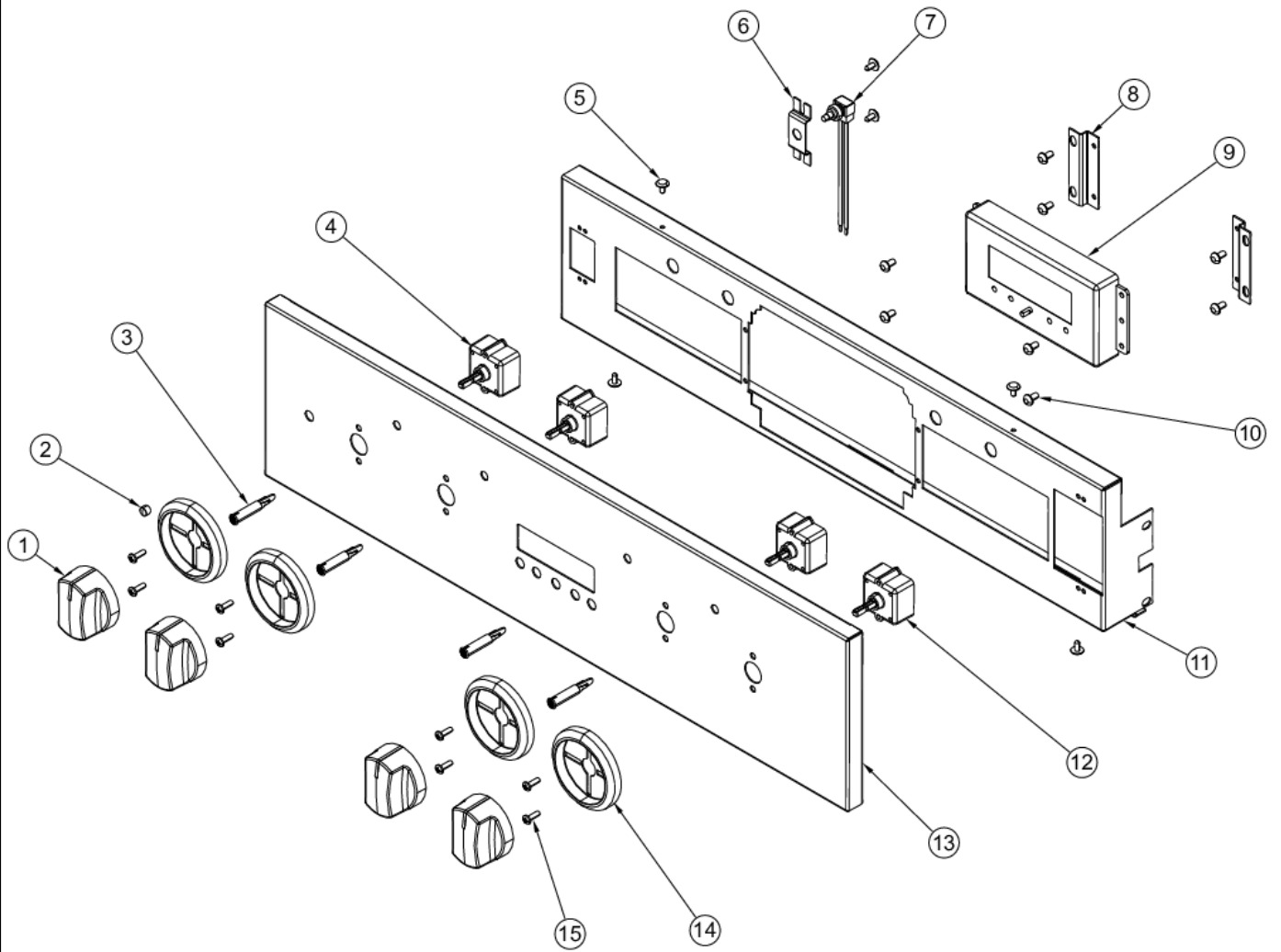
CONTROL AREA	1
LOWER DOOR ASSEMBLY	2
LOWER OVEN CAVITY	3
LOWER UNIT AND SIDE TRIM	4
MIDDLE EXTERIOR AREA	5
UPPER DOOR ASSEMBLY	6
UPPER EXTERIOR AREA	7
UPPER OVEN CAVITY	8
Appendix A:Pages Index	A
Appendix B:Parts Index	B

CONTROL AREA





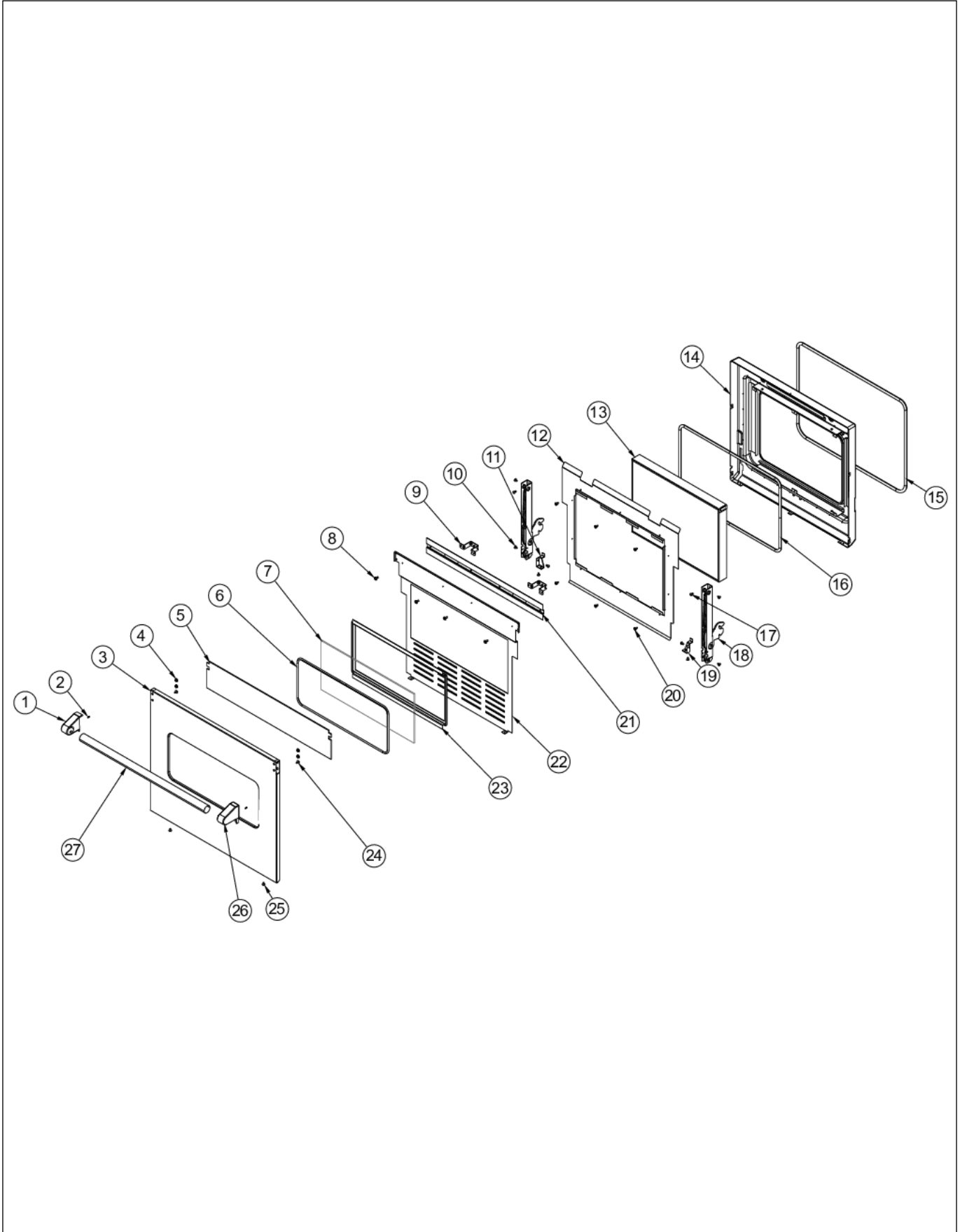
Item	Part No.	Name	Qty	Uom	NOTES
1	015662-000	KNOB, OVEN ASM, SS	4	EA	
<p>Comments for Part Num. 015662-000</p> <p>tom@gerhardsappliance.com on Nov 15, 2016 Sub to 036330-000 for silver colored SS knobs, listed part has a bronze shade.</p>					
2	PA010093	DESIGNER OVEN LT SWITCH KNOB	1	EA	
3	015043-000	INDICATOR, LIGHT, BLUE LED	4	EA	
4	PJ030033	SELECTOR (10 POS)	2	EA	
5	PD020032	SRW-8(A)X3/8"PH.WFR HD 7/16DIA*NICL	6	EA	
6	024810-000	BRACKET, LIGHT SW	1	EA	
Not Shown	NOTE	(BEFORE 09/19/13)		EA	
6	036576-000	LIGHT SWITCH ASM	1	EA	
Not Shown	NOTE	(ON OR AFTER 09/19/13)		EA	
7	G40015469	LIGHT SWITCH ASSEMBLY	1	EA	
8	025058-000	BRACKET, CLOCK	2	EA	
9	020619-526	DISPLAY, CLOCK, TOD3, V26	1	EA	
10	PD020004	10X3/8PH.HD.TYPE 25 REPL PD040125	8	EA	
11	025185-000	PANEL, CONTROL MOUNTING	1	EA	
12	PJ030035	THERMOSTAT	2	EA	
<p>Comments for Part Num. PJ030035</p> <p>parts@lvdistributes.com on Feb 7, 2018 this is not the correct part for this range it should be a 003225-000 Reply by JREXEC02@AOL.COM on Feb 27, 2018 003225-000 is an Induction Control.</p> <p>PJ030035 is the red colored thermostat for the Gas Range *****</p>					
13	025183-2297	27" DBL SELECT CTRL PANEL W/GRAPHICS	1	EA	
Not Shown	NOTE	(BEFORE 05/15/12)		EA	





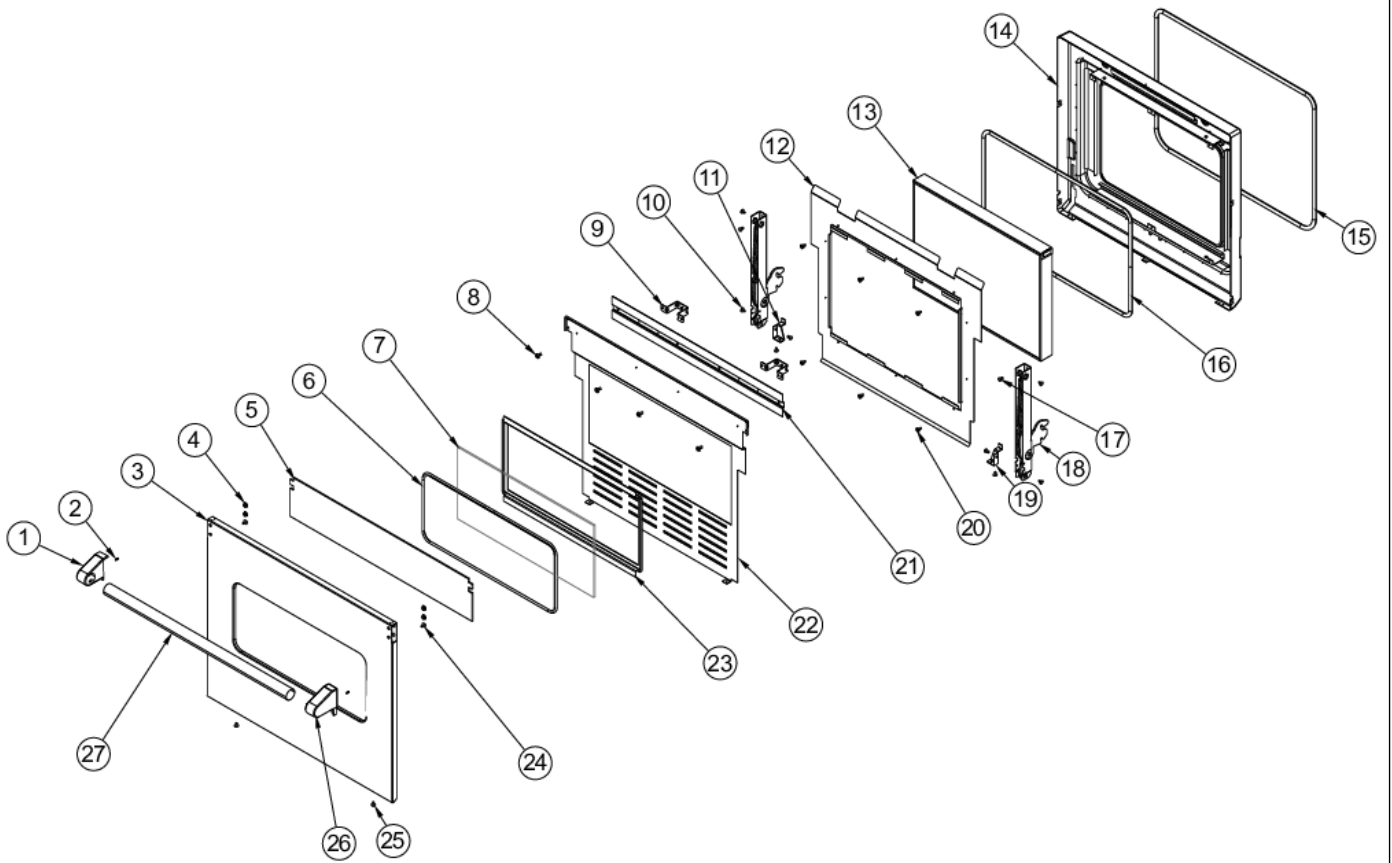
Item	Part No.	Name	Qty	Uom	NOTES
13	035980-2297	27" DBL SELECT CTRL PANEL W/GRAPHICS	1	EA	
Not Shown	NOTE	(ON OR AFTER 05/15/12)		EA	
Not Shown	NOTE	MUST ORDER ITEM #6 WITH PANEL		EA	
14	050172-000	BEZEL, KNOB	4	EA	
14	PB010304PVD	RESTYLE KNOB BEZEL, BR	4	EA	
15	PD020261	' #8-32X1/2" PH PANHEAD MACH. SCREW	8	EA	

LOWER DOOR ASSEMBLY





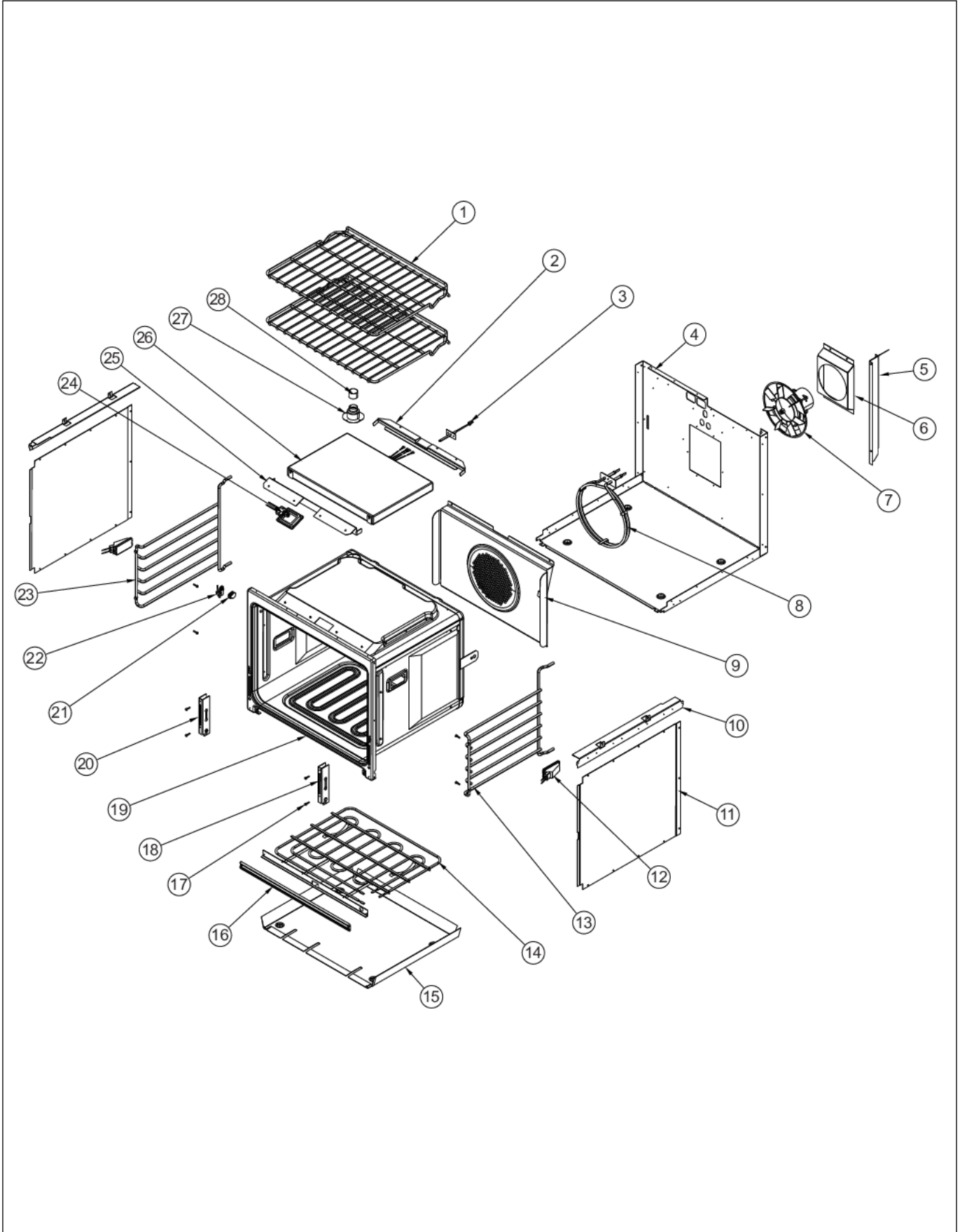
Item	Part No.	Name	Qty	Uom	NOTES
1	025186-000	ENDCAP,DOOR HDL,ASM,LH	1	EA	
1	025186-100	ENDCAP, DOOR HDL, ASM, LH, BR	1	EA	
2	003650-000	SET SCREW	2	EA	Not available online / Call for pricing and availability
3	038923-000	PRO 27" SVC DOOR SKIN KIT W/O LOGO-SS	1	EA	
3	038925-002	PRO 27" SVC DOOR SKIN KIT W/O LOGO-BK	1	EA	
3	038925-006	PRO 27" SVC DOOR SKIN KIT W/O LOGO-WH	1	EA	
4	004907-000	STEEL FINISHING PLUG, NICKEL PLTD 25/64" HOLE	4	EA	
5	025265-000	PANEL,INSL,27",DOOR	1	EA	
6	PE060104	27" J-MOLD (CHROME)	1	EA	
Not Shown	NOTE	(NOT FIELD REPLACEABLE - MUST ORDER ITEM # 3)		EA	
7	PE060089	27" PROF. OUTER DOOR GLASS	1	EA	
Not Shown	NOTE	(NOT FIELD REPLACEABLE - MUST ORDER ITEM # 3)		EA	
8	PD020033	SRW-#10-24X1/2"T(23)PH.WFR HD (NKL)	4	EA	
9	024005-000	BRACKET	2	EA	
10	PD020063	SCREW-#8(A) X 3/8"PH WFR HD/BK OXID	6	EA	
11	A20012641	HINGE SUPPORT LH	1	EA	
12	A20010949	PANEL, INSULATION, INNNER DOOR	1	EA	
13	PE060093	27" WINDOW PACK	1	EA	
14	G91010942	DOOR LINER PORC.	1	EA	
Comments for Part Num. G91010942					
gboltz@VikingRange.com on Jun 7, 2016					
Correct part number is G91019042BK					
15	PB070245	27" DOOR GASKET	1	EA	



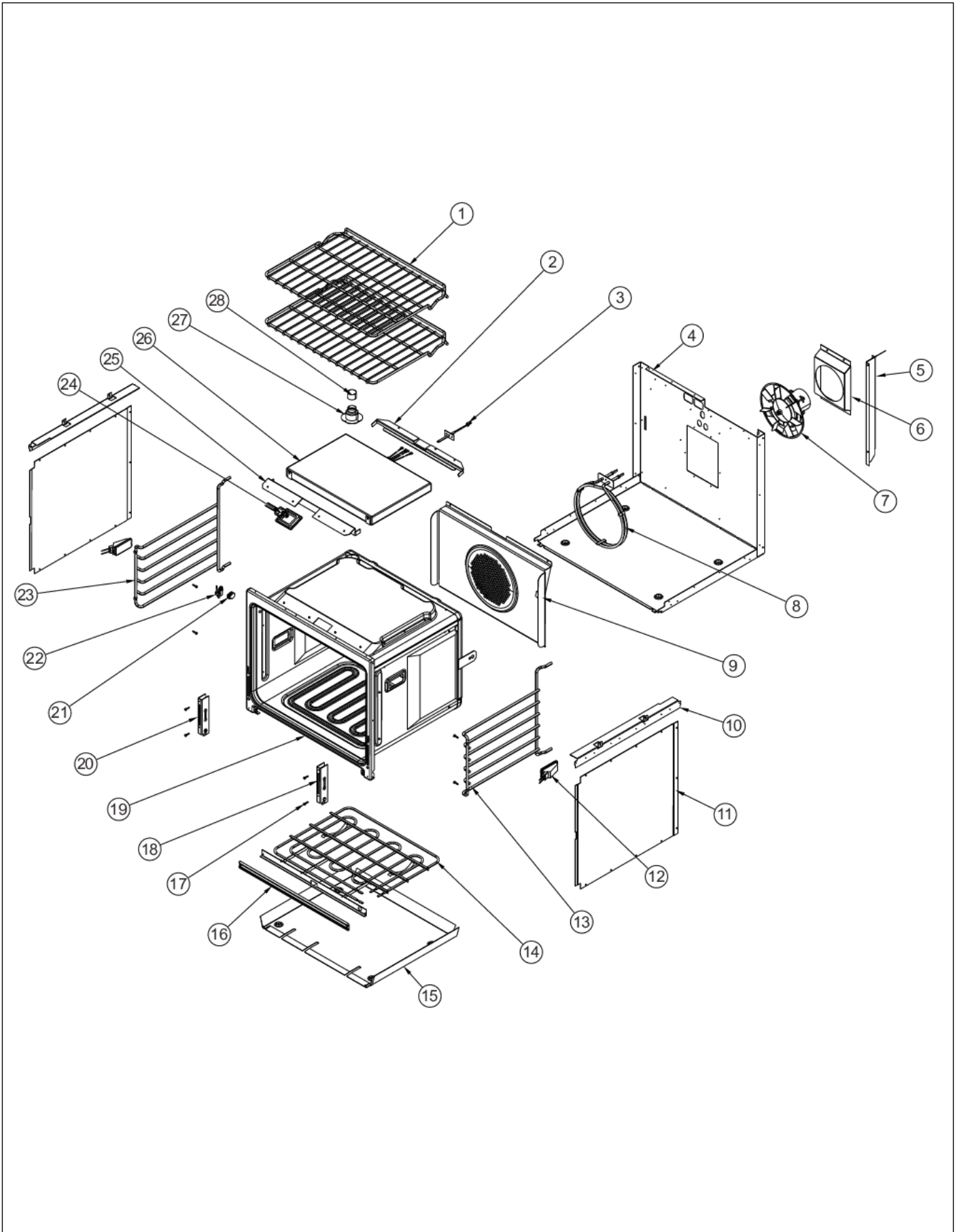


Item	Part No.	Name	Qty	Uom	NOTES
16	017707-000	BLACK FIBERGLASS ROPE 3/8	1	EA	Not available online / Call for pricing and availability
17	PD020004	10X3/8PH.HD.TYPE 25 REPL PD040125	4	EA	
18	023798-000	HINGE, MANSFIELD, WHITE	2	EA	See TC-0121-SP Service Bulletin
19	A20012640	HINGE SUPPORT RH	1	EA	
20	PD020002	10 X 1/2 PH.TR.HD.SMS.	6	EA	
21	025163-000	DOOR SKIN MOUNTING BRACKET	1	EA	
22	025162-000	LINER,DOOR,27"	1	EA	
23	L20014076	27" WINDOW HOLDER	1	EA	
Not Shown	NOTE	(NOT FIELD REPLACEABLE - MUST ORDER ITEM # 3)		EA	
24	PD020073	SRW #10 X 24 X 3/8 WAFER HD TYPE23	2	EA	
25	PD020032	SRW-8(A)X3/8"PH.WFR HD 7/16DIA*NICL	2	EA	
26	025187-000	ENDCAP,DOOR HDL,ASM,RH	1	EA	
26	025187-100	ENDCAP, DOOR HDL, ASM, RH, BR	1	EA	
27	025167-000	HANDLE,DOOR 27" 26.126	1	EA	
NI	025172-000	27" DOOR ASM W/O LOGO	1	EA	
NI	025172-100	27" DOOR ASM, W/O LOGO, SSBR	1	EA	Not available online / Call for pricing and availability
NI	036913-000	27" WALL OVEN DOOR SERVICE KIT	1	EA	
Not Shown	NOTE	(FOR UNITS MANUFACTURED BEFORE 2/14/12		EA	

LOWER OVEN CAVITY



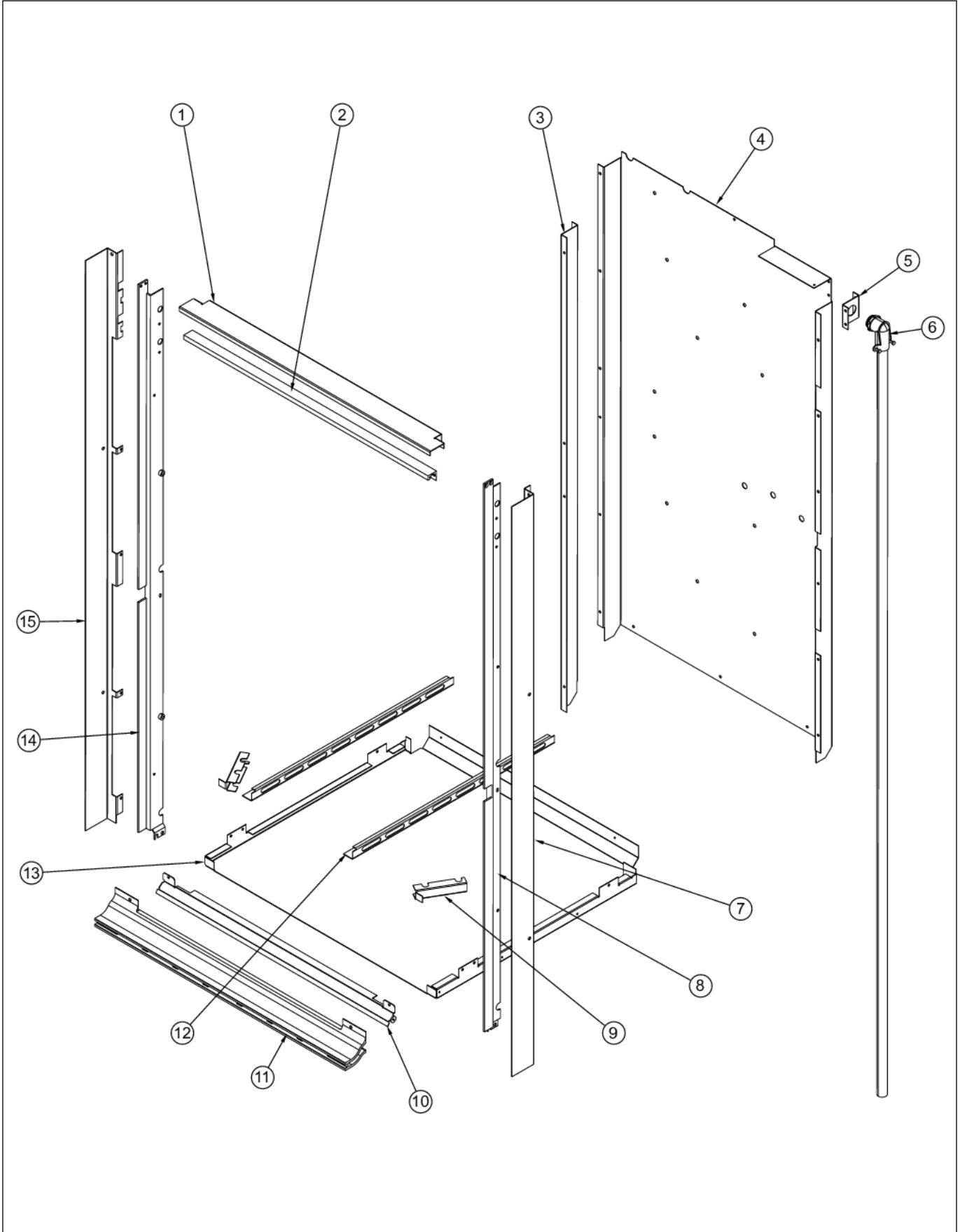
Item	Part No.	Name	Qty	Uom	NOTES
1	041045-000	RACK, DF, PRO, 27"	2	EA	
2	024221-000	BRACKET, BROILER, REAR	1	EA	
3	PE050206	RTD THERMOSTAT PROBE	1	EA	
4	A20010931	BASE, BACK WRAPPER, 27"	1	EA	NO LONGER AVAILABLE, Not available online / Call for pricing and availability
5	A20012809	REAR AIR DIVIDER, DBL, LOWER OVEN	1	EA	NO LONGER AVAILABLE, Not available online / Call for pricing and availability
6	A2009697	BRACKET, CONVECTION INSULATION	1	EA	
7	G32014020	CONVECTION FAN ASSY	1	EA	
8	PJ010047	CONVECTION ELEMENT	1	EA	
9	G91013597	27" BAFFLE ASSEMBLY	1	EA	
10	A2009641	BRKT, TOP WRAPPER	2	EA	
11	014137-000	WRAPPER, OVEN SIDE	2	EA	
12	005311-000	LAMP, OVEN, 120V/25W	2	EA	
13	066478-402	SUPPORT, RACK, RHS, PORCELAIN	1	EA	
14	PJ010048	BAKE ELEMENT	1	EA	
15	A20010932	ELEMENT, MTG TRAY	1	EA	NO LONGER AVAILABLE
16	E9109655	COVER, BAKE TRAY	1	EA	
17	PD020232	#8 X 3/4" PH PAN HEAD TEK SCREW (BLACK OXIDE)	8	EA	
18	PC020221	HINGE POCKET RECEIVER MANSFIELD RH	1	EA	See TC-0121-SP Service Bulletin
19	G30014042	27" PREMIERE WELDED CAVITY ASSY	1	EA	NO LONGER AVAILABLE, Not available online / Call for pricing and availability
20	PC020247	HINGE POCKET RECEIVER MANSFIELD LH	1	EA	See TC-0121-SP Bulletin
21	PM010160	MEAT PROBE JACK COVER (SWITCHCRAFT'S PART# 2C1098)	1	EA	





Item	Part No.	Name	Qty	Uom	NOTES
22	PE050115	MEAT PROBE JACK (SWITCHCRAFT'S PART# 3J1505)	1	EA	
<p>Comments for Part Num. PE050115</p> <p>bradleysapplianceservice@shaw.ca on May 8, 2017 Meat probe is not illustrated on Parts Break Down. PE050114 MEAT PROBE</p>					
23	066479-402	SUPPORT, RACK, LHS, PORCELAIN	1	EA	
24	020403-000	LAMP, OVEN, 120V/40W	1	EA	
25	024234-000	BRACKET, BROILER, FRONT	1	EA	
26	024040-000	ELEMENT, RIBBON	1	EA	
<p>Comments for Part Num. 024040-000</p> <p>jhobbs@kimballinc.com on Jan 4, 2019 Please Correct the part number on this (057872-000)</p>					
27	PM010014	SMOKE ELIMINATOR (VDSC)	1	EA	
28	PB020275	VENT TUBE	1	EA	

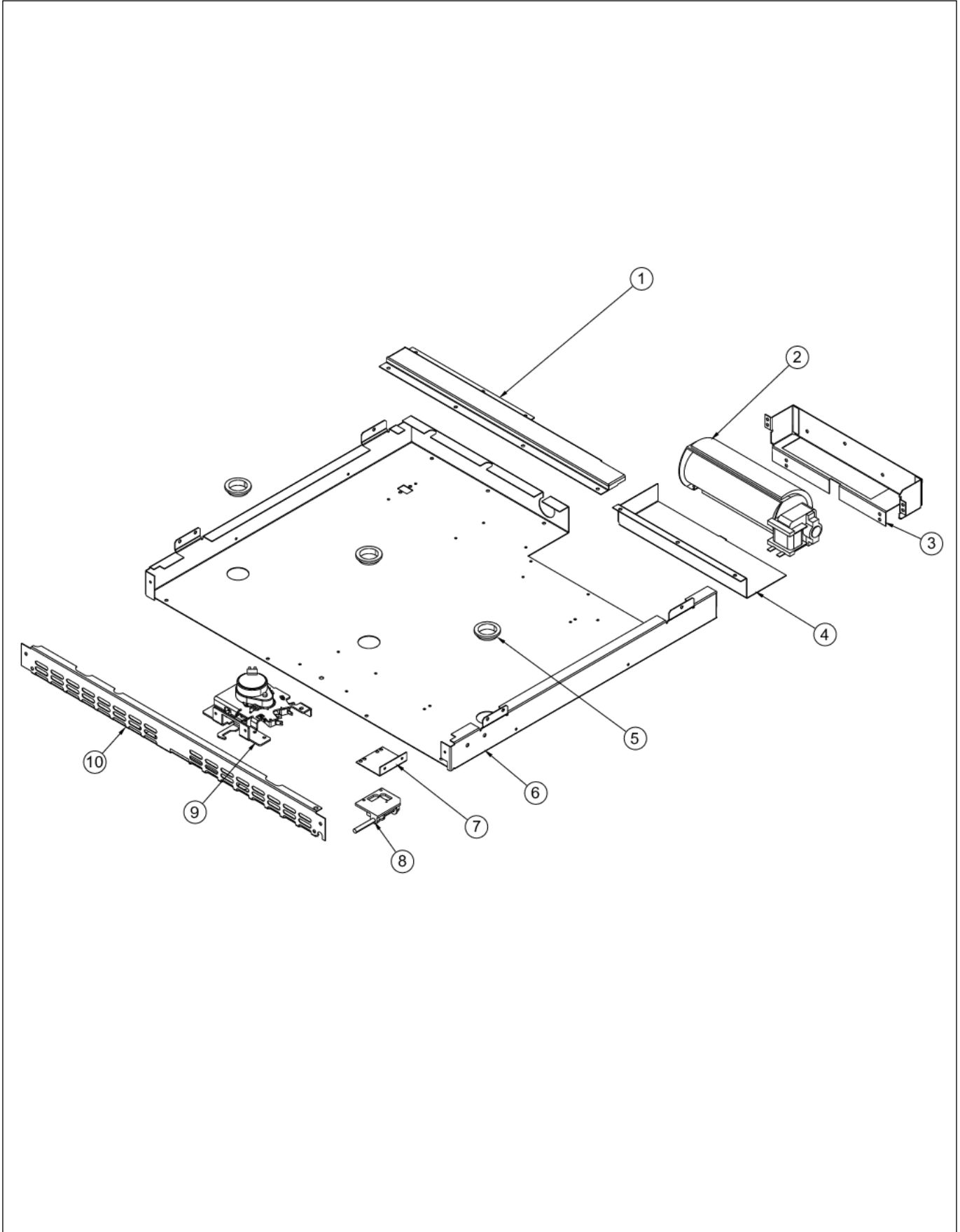
LOWER UNIT AND SIDE TRIM





Item	Part No.	Name	Qty	Uom	NOTES
1	025228-000	TRIM, TOP, FLUSH, 27ö	1	EA	
2	024264-000	TRIM,EXTD, TOP, 27"	1	EA	Not available online / Call for pricing and availability
3	A2009684	REAR AIR DIVIDER, DOUBLE OVEN	1	EA	
4	A20012807	PANEL, REAR	1	EA	NO LONGER AVAILABLE, Not available online / Call for pricing and availability
5	A2009671	BRACKET, POWER CABLE	1	EA	
6	040197-000	CONDUIT, ELECTRICAL CORD, 70"	1	EA	
7	024266-000	TRIM, R, FLUSH, DBL	1	EA	
8	024256-000	TRIM,EXTD,RH, DBL	1	EA	
9	A20012739	BASE PAN CORNER BRACE	2	EA	NOT FIELD REPLACEABLE, Not available online / Call for pricing and availability
10	025219-002	27" DEFLECTOR, BK	1	EA	Not available online / Call for pricing and availability
11	024478-000	EXTRUSION, 27" FLUSH MOUNT	1	EA	
12	A20012740	STIFFENER, BASE PAN	2	EA	NO LONGER AVAILABLE, Not available online / Call for pricing and availability
13	G30010922	BASE MODULE ASSY 27"	1	EA	
14	024257-000	TRIM,EXTD,LH, DBL	1	EA	
15	024267-000	TRIM, L, FLUSH, DBL	1	EA	

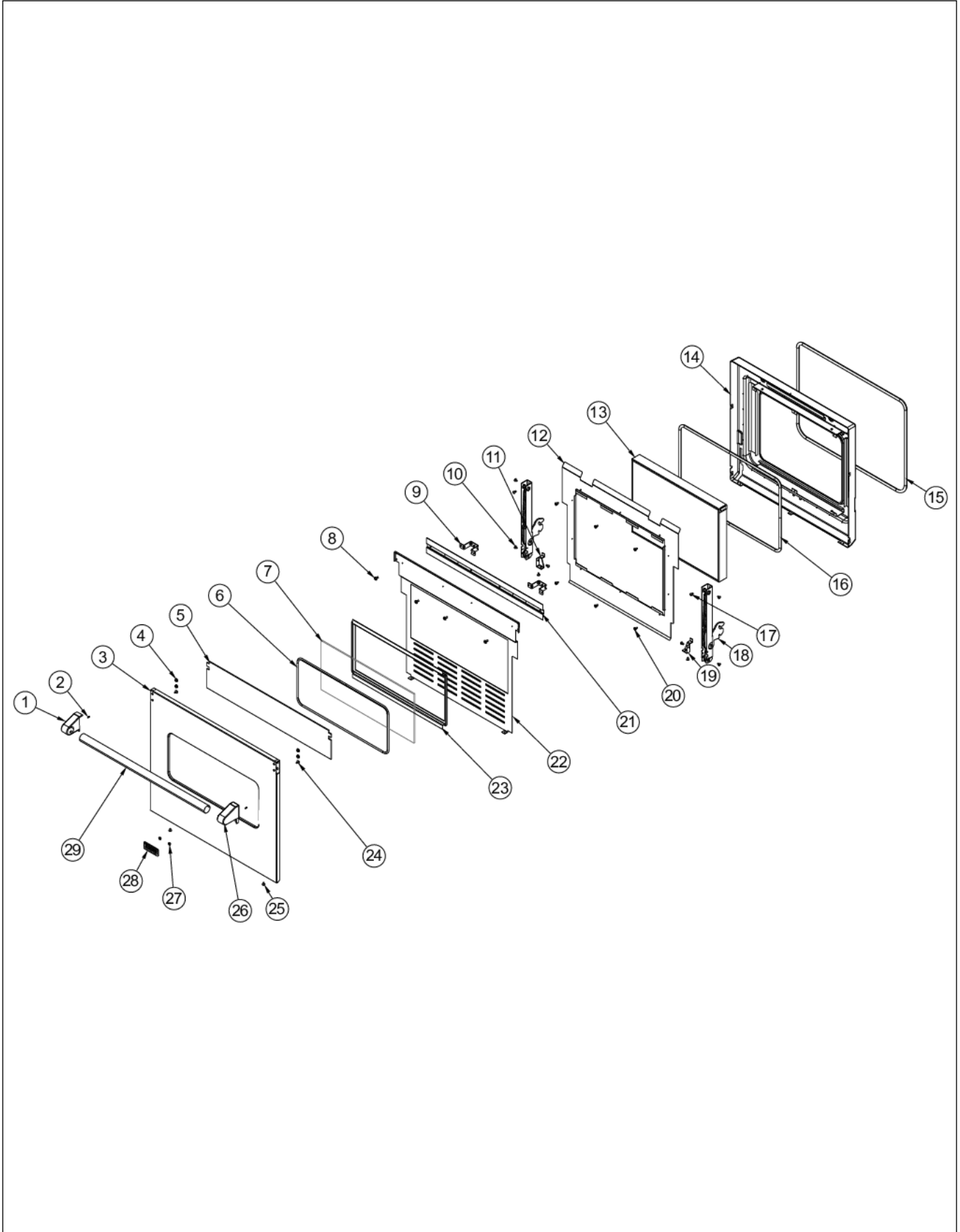
MIDDLE EXTERIOR AREA





Item	Part No.	Name	Qty	Uom	NOTES
1	A20012808	CATALYST EXHAUST, MIDDLE MODULE	1	EA	NO LONGER AVAILABLE, Not available online / Call for pricing and availability
2	PE050250	Blower	1	EA	
<p>Comments for Part Num. PE050250</p> <p>highendappsvc@gmail.com on Jan 28, 2019</p> <p>If you need to replace cooling fan for the model vgsc5486gss serial date code 031412, do not order this fan, this fan is larger and configured wrong. The correct fan is 007794-000. it is smaller.</p>					
Not Shown	NOTE	(BEFORE 02/04/13)		EA	
2	018607-000	FAN, BLO, 220-240V 50/60Hz ASM (MT1664)	1	EA	
Not Shown	NOTE	(ON OR AFTER 02/04/13)		EA	
3	A3009660	BRACKET, BLOWER, DBL LOWER OVEN	1	EA	
4	A2009659	Blower Bracket	1	EA	
5	PB070079	SILICONE EXTRUSION (DGSU)	3	EA	
6	A20012802	MODULE PAN 27"	1	EA	NO LONGER AVAILABLE, Not available online / Call for pricing and availability
7	A20012649	DOOR SWITCH BRACKET	1	EA	
8	PE050208	DOOR SWITCH	1	EA	
9	013250-000	LATCH,DOOR,ASM,240V,GRID DLE LOCKOUT	1	EA	
10	C90012803BK	INLET GRILL DBL LOWER OVEN 27"	1	EA	

UPPER DOOR ASSEMBLY



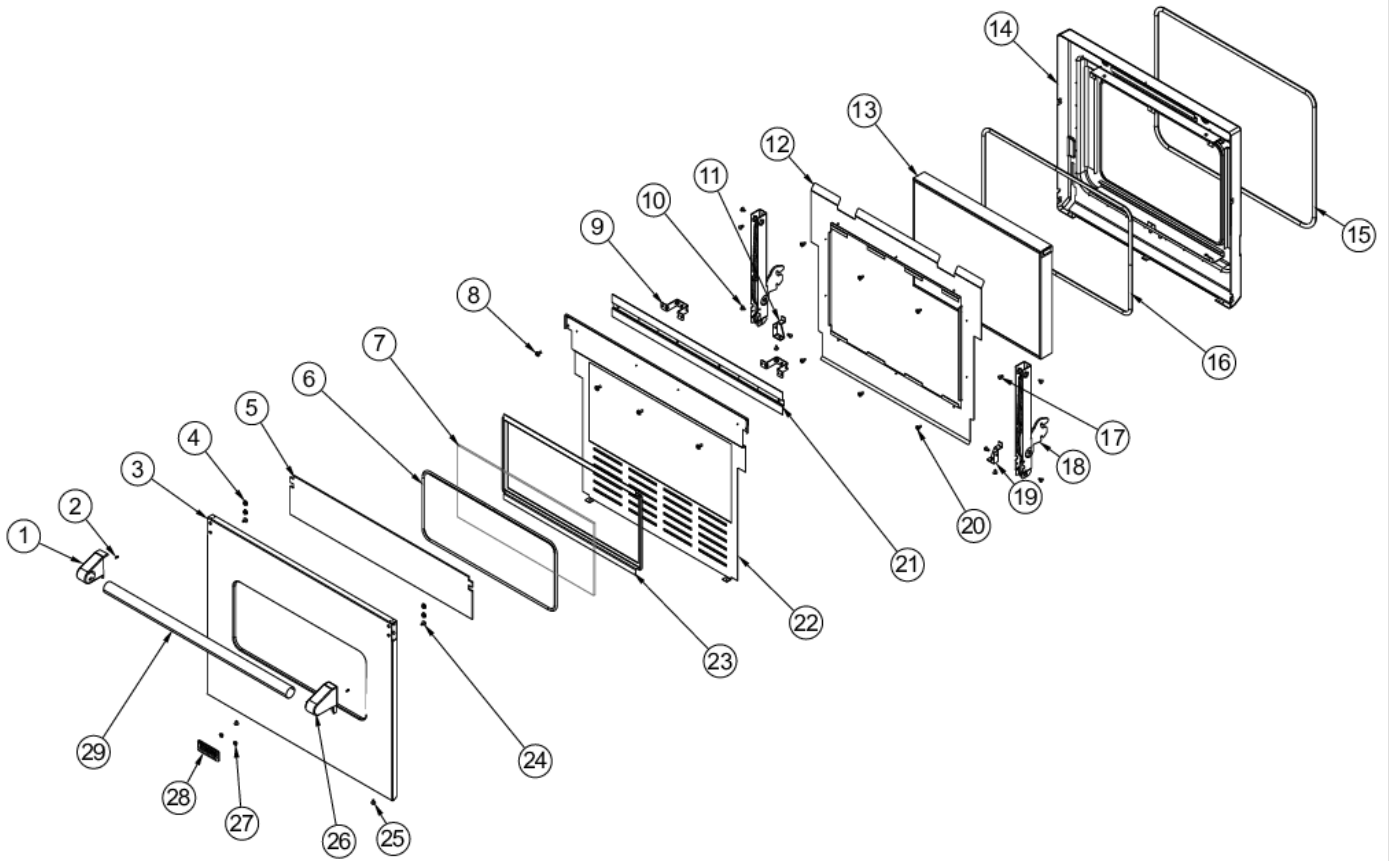


Item	Part No.	Name	Qty	Uom	NOTES
1	025186-000	ENDCAP,DOOR HDL,ASM,LH		EA	
1	025186-100	ENDCAP, DOOR HDL, ASM, LH, BR		EA	
2	003650-000	SET SCREW		EA	Not available online / Call for pricing and availability
3	038922-000	PRO 27" SVC DOOR SKIN KIT W/LOGO-SS		EA	
3	038924-002	PRO 27" SVC DOO SKIN KIT W/LOGO-BK		EA	
3	038924-006	PRO 27" SVC DOOR SKIN KIT W/LOGO-WH		EA	
3	038924-024	PRO 27" SVC DOOR SKIN KIT W/LOGO-AR		EA	Not available online / Call for pricing and availability
4	004907-000	STEEL FINISHING PLUG, NICKEL PLTD 25/64" HOLE		EA	
5	025265-000	PANEL,INSL,27",DOOR		EA	
6	PE060104	27" J-MOLD (CHROME)		EA	
Not Shown	NOTE	(NOT FIELD REPLACEABLE - MUST ORDER ITEM # 3)		EA	
7	PE060089	27" PROF. OUTER DOOR GLASS		EA	
Not Shown	NOTE	(NOT FIELD REPLACEABLE - MUST ORDER ITEM # 3)		EA	
8	PD020033	SRW-#10-24X1/2"T(23)PH.WFR HD (NKL)		EA	
9	024005-000	BRACKET		EA	
10	PD020063	SCREW-#8(A) X 3/8"PH WFR HD/BK OXID		EA	
11	A20012641	HINGE SUPPORT LH		EA	
12	A20010949	PANEL, INSULATION, INNNER DOOR		EA	
13	PE060093	27" WINDOW PACK		EA	
14	G91010942	DOOR LINER PORC.		EA	

Comments for Part Num. G91010942

gboltz@VikingRange.com on Jun 7, 2016

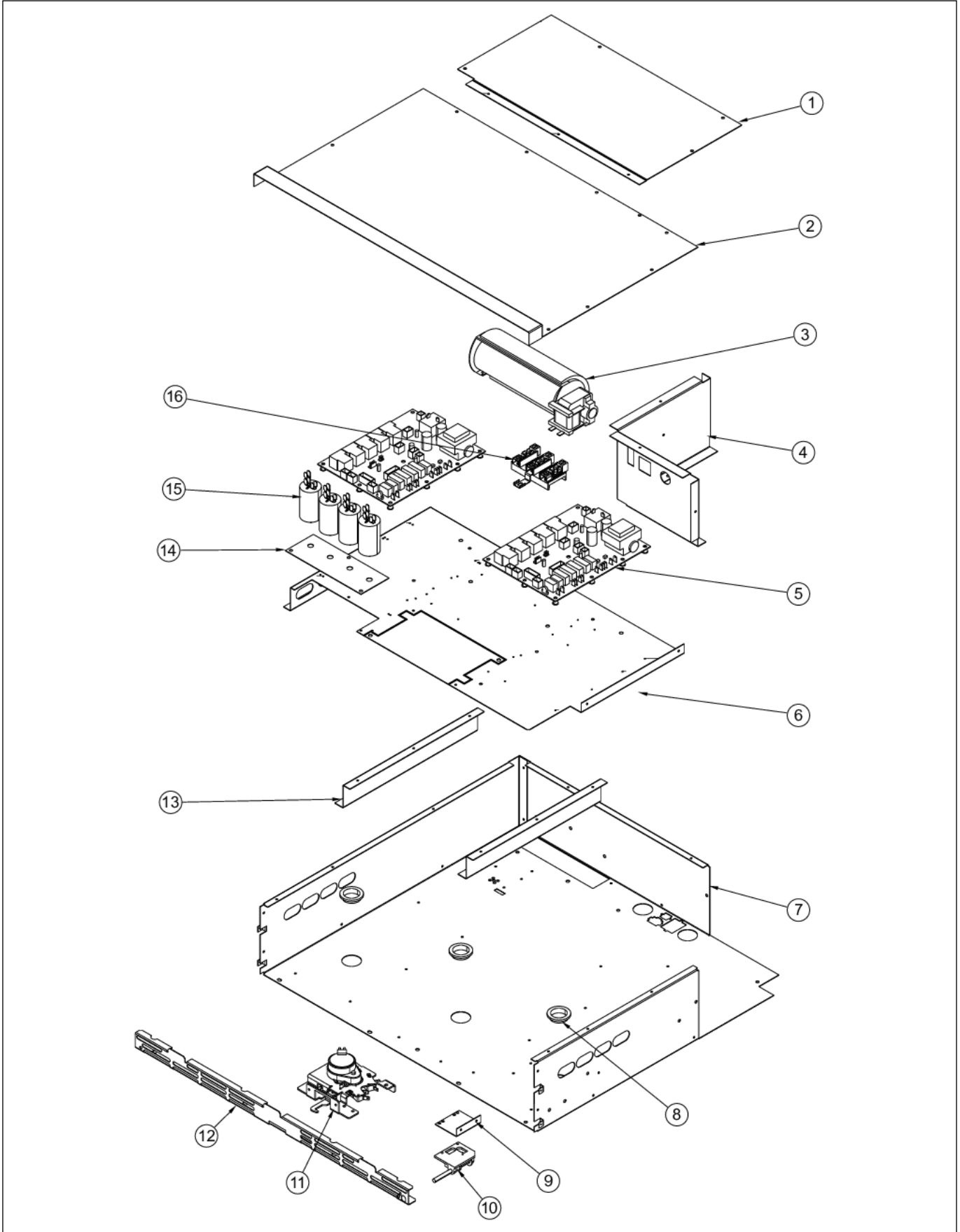
Correct part number is G91019042BK





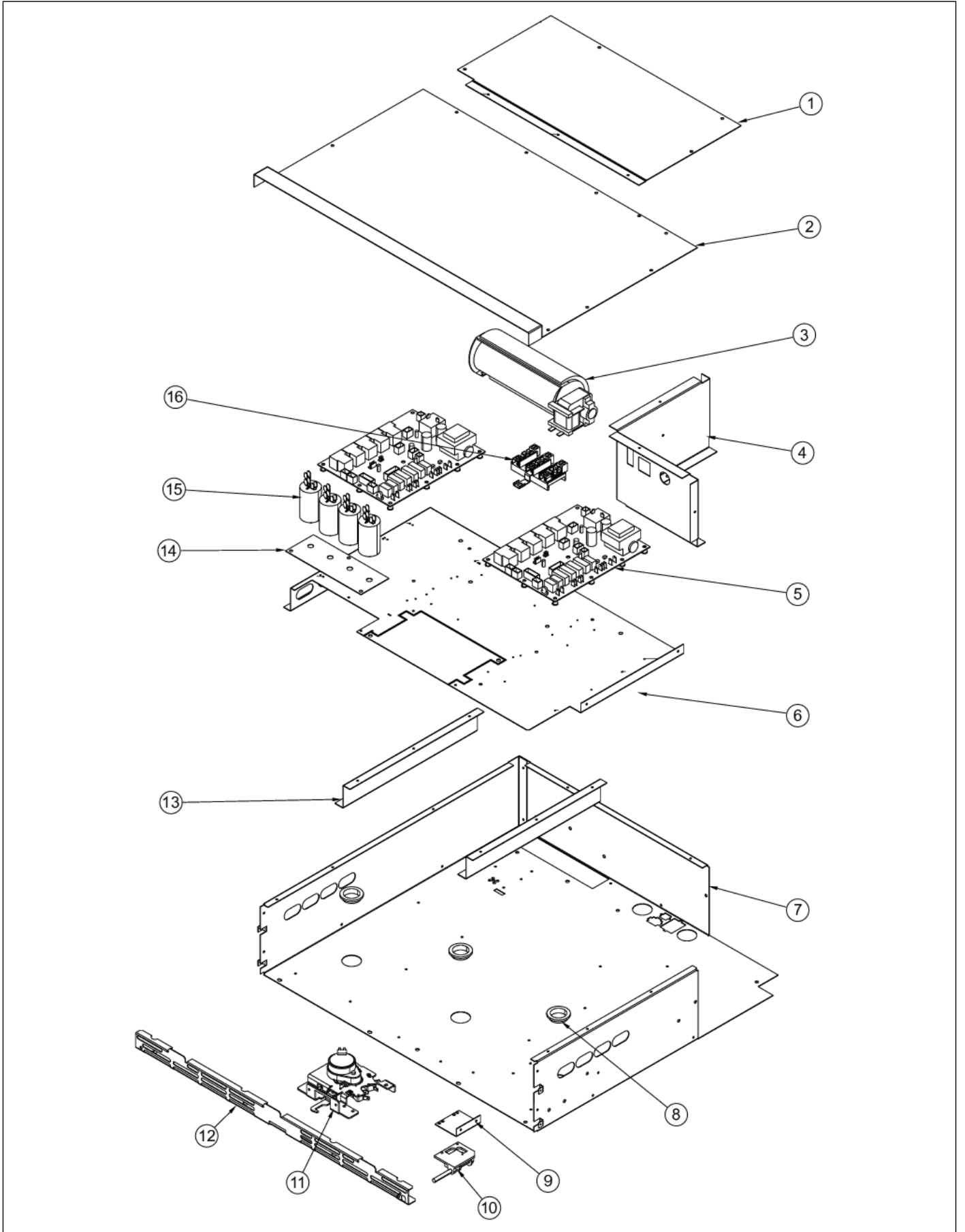
Item	Part No.	Name	Qty	Uom	NOTES
15	PB070245	27" DOOR GASKET		EA	
16	000594-000	BLACK FIBERGLASS ROPE 3/8		EA	
17	PD020004	10X3/8PH.HD.TYPE 25 REPL PD040125		EA	
18	023798-000	HINGE, MANSFIELD, WHITE		EA	See TC-0121- SP Service Bulletin
19	A20012640	HINGE SUPPORT RH		EA	
20	PD020002	10 X 1/2 PH.TR.HD.SMS.		EA	
21	025163-000	DOOR SKIN MOUNTING BRACKET		EA	
22	025162-000	LINER,DOOR,27"		EA	
23	L20014076	27" WINDOW HOLDER		EA	
Not Shown	NOTE	(NOT FIELD REPLACEABLE - MUST ORDER ITEM # 3)		EA	
24	PD020073	SRW #10 X 24 X 3/8 WAFER HD TYPE23		EA	
25	PD020032	SRW-8(A)X3/8"PH.WFR HD 7/16DIA*NICL		EA	
26	025187-000	ENDCAP,DOOR HDL,ASM,RH		EA	
26	025187-100	ENDCAP, DOOR HDL, ASM, RH, BR		EA	
27	PD030006	CAPPED WASHER PAL NUT		EA	
28	PE010142	3" VIKING LOGO BLACK/CHROME		EA	
28	PE010143	3" LOGO BK/BR		EA	
28	PB010144	KNOB - DUAL INFINITE SWITCH WH		EA	
28	PB010145	KNOB - SINGLE INFINITE SWITCH BLACK		EA	
29	025167-000	HANDLE,DOOR 27" 26.126		EA	
NI	025169-000	27" DOOR ASM W/LOGO, SS		EA	
NI	025169-100	27" DOOR ASM W/LOGO, SS		EA	
NI	036913-000	27" WALL OVEN DOOR SERVICE KIT		EA	
Not Shown	NOTE	(FOR UNITS MANUFACTURED BEFORE 2/14/12)		EA	

UPPER EXTERIOR AREA





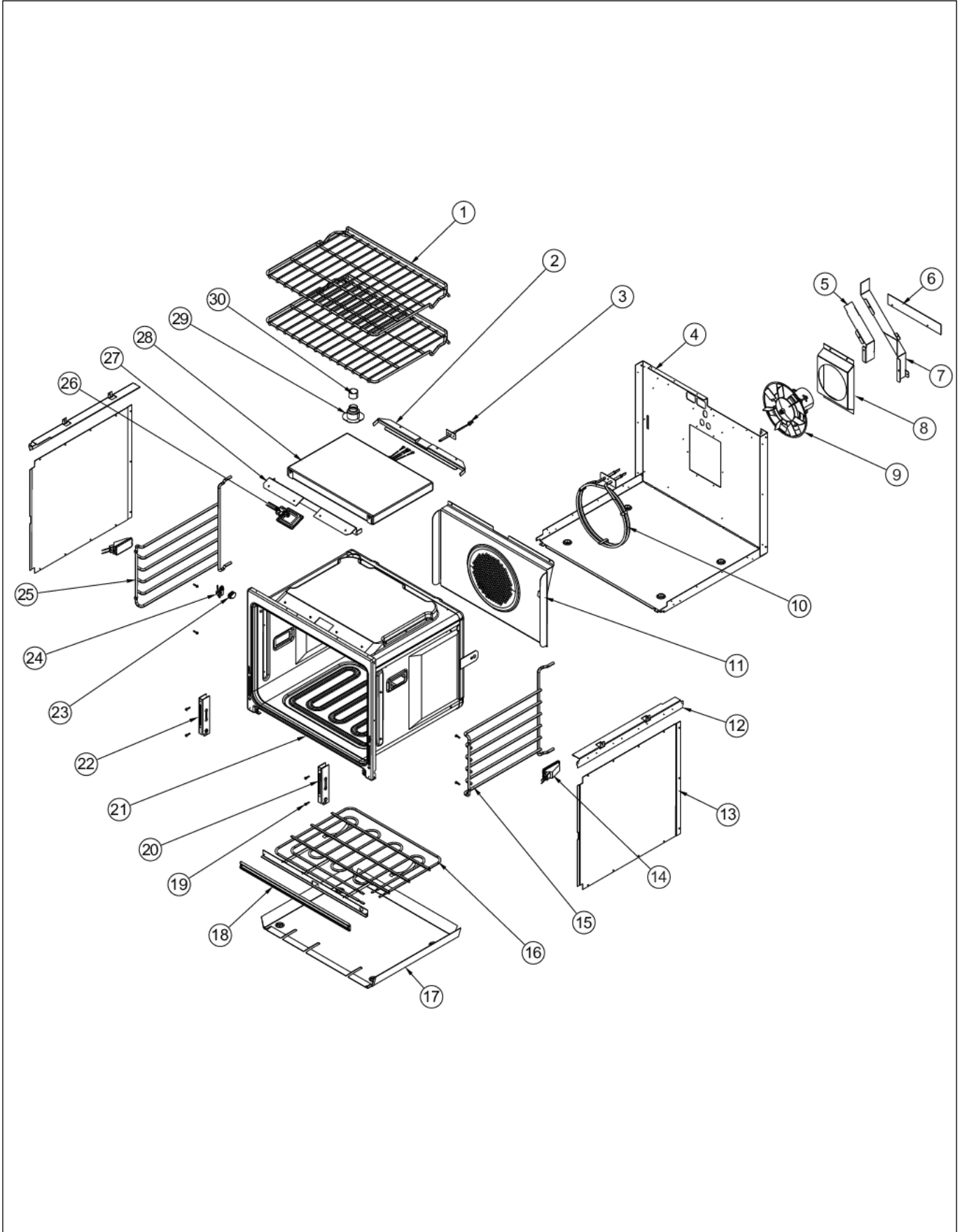
Item	Part No.	Name	Qty	Uom	NOTES
1	A20014047	Rear Cover	1	EA	Not available online / Call for pricing and availability
2	025221-000	PANEL,CVR, TOP, FR, 27"	1	EA	
3	PE050250	Blower	1	EA	
Comments for Part Num. PE050250					
highendappsvc@gmail.com on Jan 28, 2019					
If you need to replace cooling fan for the model vgsc5486gss serial date code 031412, do not order this fan, this fan is larger and configured wrong. The correct fan is 007794-000. it is smaller.					
Not Shown	NOTE	(BEFORE 02/04/13)		EA	
3	018607-000	FAN, BLO, 220-240V 50/60Hz ASM (MT1664)	1	EA	
Not Shown	NOTE	(ON OR AFTER 02/04/13)		EA	
4	A20010934	BRACKET, MODULE PAN	1	EA	
5	046142-000	CONTROL, EOC4, LED, VDOF, V46/V50/V52 & FAMILY	2	EA	
NI	015201-000	LINEAR POWER SUPPLY	1	EA	
Not Shown	NOTE	ON OR AFTER 12/09/10		EA	
6	A20010935	Electronics Hat	1	EA	Not available online / Call for pricing and availability
7	A20010933	MODULE PAN 27"	1	EA	NO LONGER AVAILABLE, Not available online / Call for pricing and availability
8	PB070079	SILICONE EXTRUSION (DGSU)	3	EA	
9	A20012649	DOOR SWITCH BRACKET	1	EA	
10	PE050208	DOOR SWITCH	1	EA	
11	013250-000	LATCH,DOOR,ASM,240V,GRID DLE LOCKOUT	1	EA	
12	C90014073BK	Inlet Grille - BK	1	EA	
13	A20010910	Support Bracket, Electronics Hat	2	EA	Not available online / Call for pricing and availability



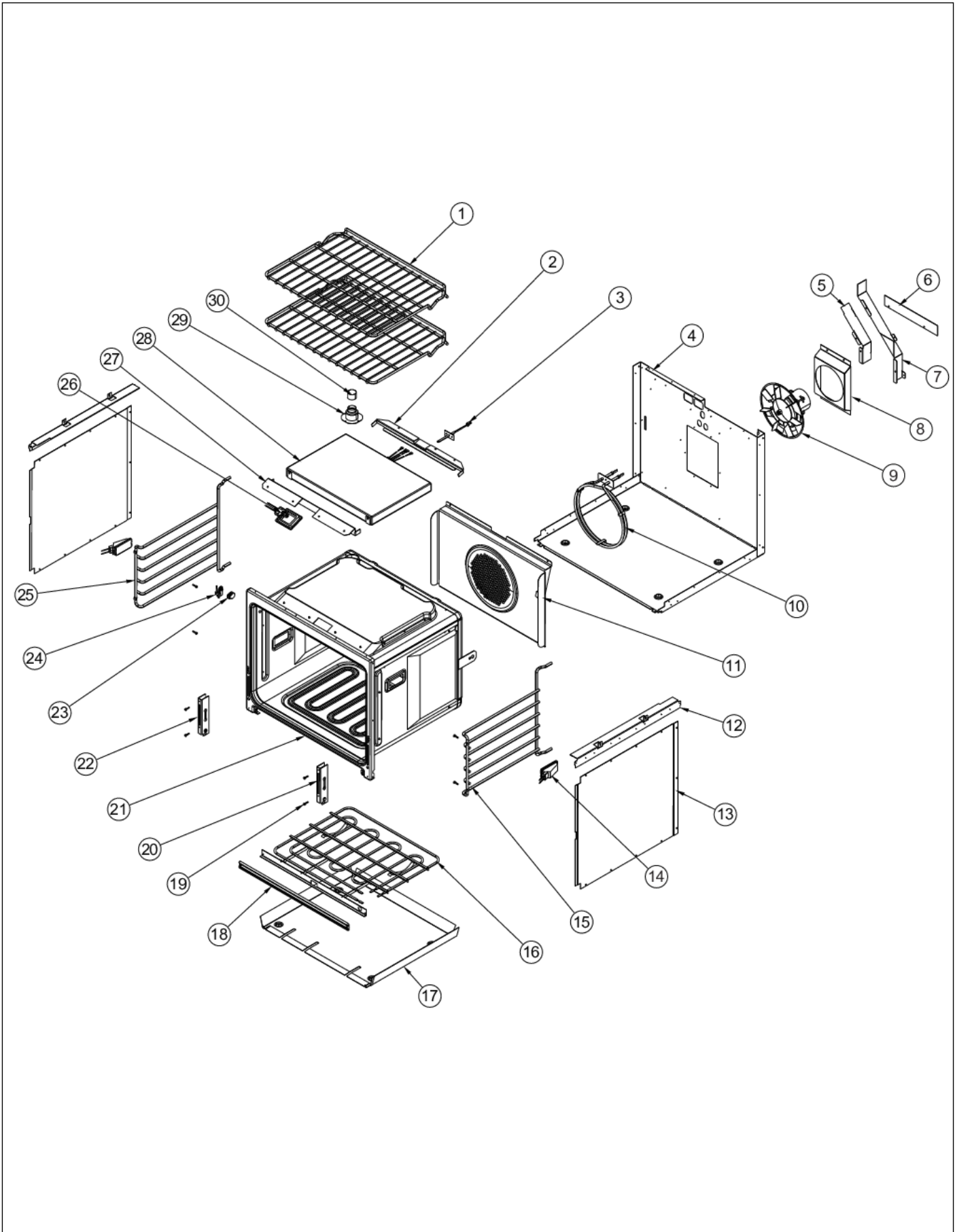


Item	Part No.	Name	Qty	Uom	NOTES
14	A10014027	4 CAPACITOR BRACKET	1	EA	
15	053905-000	CAPACITOR, MOTOR, 3uF	4	EA	
16	PE070147	TERMINAL BLOCK (VDSC)	1	EA	

UPPER OVEN CAVITY



Item	Part No.	Name	Qty	Uom	NOTES
1	041045-000	RACK, DF, PRO, 27"	2	EA	
2	024221-000	BRACKET, BROILER, REAR	1	EA	
3	PE050206	RTD THERMOSTAT PROBE	1	EA	
4	A20010931	BASE, BACK WRAPPER, 27"	1	EA	NO LONGER AVAILABLE, Not available online / Call for pricing and availability
5	A21010919	BRACKET, AIR, CONVECTION MOTOR	1	EA	NO LONGER AVAILABLE, Not available online / Call for pricing and availability
6	A10010907	COVER, BLOWER	1	EA	
7	A21010918	BRACKET, AIR, CONVECTION MOTOR	1	EA	NO LONGER AVAILABLE, Not available online / Call for pricing and availability
8	A2009697	BRACKET, CONVECTION INSULATION	1	EA	
9	G32014020	CONVECTION FAN ASSY	1	EA	
10	PJ010047	CONVECTION ELEMENT	1	EA	
11	G91013597	27" BAFFLE ASSEMBLY	1	EA	
12	A2009641	BRKT, TOP WRAPPER	2	EA	
13	014137-000	WRAPPER, OVEN SIDE	2	EA	
14	005311-000	LAMP, OVEN, 120V/25W	2	EA	
15	066478-402	SUPPORT, RACK, RHS, PORCELAIN	1	EA	
16	PJ010048	BAKE ELEMENT	1	EA	
17	A20010932	ELEMENT, MTG TRAY	1	EA	NO LONGER AVAILABLE
18	E9109655	COVER, BAKE TRAY	1	EA	
19	PD020232	#8 X 3/4" PH PAN HEAD TEK SCREW (BLACK OXIDE)	8	EA	
20	PC020221	HINGE POCKET RECEIVER MANSFIELD RH	1	EA	See TC-0121-SP Service Bulletin
21	G30014042	27" PREMIERE WELDED CAVITY ASSY	1	EA	NO LONGER AVAILABLE, Not available online / Call for pricing and availability





Item	Part No.	Name	Qty	Uom	NOTES
22	PC020247	HINGE POCKET RECEIVER MANSFIELD LH	1	EA	See TC-0121- SP Bulletin
23	PM010160	MEAT PROBE JACK COVER (SWITCHCRAFT'S PART# 2C1098)	1	EA	
24	PE050115	MEAT PROBE JACK (SWITCHCRAFT'S PART# 3J1505)	1	EA	
<p>Comments for Part Num. PE050115</p> <p>bradleysapplianceservice@shaw.ca on May 8, 2017 Meat probe is not illustrated on Parts Break Down. PE050114 MEAT PROBE</p>					
25	066479-402	SUPPORT, RACK, LHS, PORCELAIN	1	EA	
26	020403-000	LAMP, OVEN, 120V/40W	1	EA	
27	024234-000	BRACKET, BROILER, FRONT	1	EA	
28	024040-000	ELEMENT, RIBBON	1	EA	
<p>Comments for Part Num. 024040-000</p> <p>jhobbs@kimballinc.com on Jan 4, 2019 Please Correct the part number on this (057872-000)</p>					
29	PM010014	SMOKE ELIMINATOR (VDSC)	1	EA	
30	PB020275	VENT TUBE	1	EA	



Appendix A:Pages Index

CONTROL AREA 1
LOWER DOOR ASSEMBLY 2
LOWER OVEN CAVITY 3
LOWER UNIT AND SIDE TRIM 4
MIDDLE EXTERIOR AREA 5
UPPER DOOR ASSEMBLY 6
UPPER EXTERIOR AREA 7
UPPER OVEN CAVITY 8



Appendix B:Parts Index

000594-000	6	025221-000	7
003650-000	2, 6	025228-000	4
004907-000	2, 6	025265-000	2, 6
005311-000	3, 8	035980-2297	1
013250-000	5, 7	036576-000	1
014137-000	3, 8	036913-000	2, 6
015043-000	1	038922-000	6
015201-000	7	038923-000	2
015662-000	1	038924-002	6
017707-000	2	038924-006	6
018607-000	5, 7	038924-024	6
020403-000	3, 8	038925-002	2
020619-526	1	038925-006	2
023798-000	2, 6	040197-000	4
024005-000	2, 6	041045-000	3, 8
024040-000	3, 8	046142-000	7
024221-000	3, 8	050172-000	1
024234-000	3, 8	053905-000	7
024256-000	4	066478-402	3, 8
024257-000	4	066479-402	3, 8
024264-000	4	A10010907	8
024266-000	4	A10014027	7
024267-000	4	A20010910	7
024478-000	4	A20010931	3, 8
024810-000	1	A20010932	3, 8
025058-000	1	A20010933	7
025162-000	2, 6	A20010934	7
025163-000	2, 6	A20010935	7
025167-000	2, 6	A20010949	2, 6
025169-000	6	A20012640	2, 6
025169-100	6	A20012641	2, 6
025172-000	2	A20012649	5, 7
025172-100	2	A20012739	4
025183-2297	1	A20012740	4
025185-000	1	A20012802	5
025186-000	2, 6	A20012807	4
025186-100	2, 6	A20012808	5
025187-000	2, 6	A20012809	3
025187-100	2, 6	A20014047	7
025219-002	4	A2009641	3, 8
		A2009659	5



A2009671	4	PE060093	2, 6
A2009684	4	PE060104	2, 6
A2009697	3, 8	PE070147	7
A21010918	8	PJ010047	3, 8
A21010919	8	PJ010048	3, 8
A3009660	5	PJ030033	1
C90012803BK	5	PJ030035	1
C90014073BK	7	PM010014	3, 8
E9109655	3, 8	PM010160	3, 8
G30010922	4		
G30014042	3, 8		
G32014020	3, 8		
G40015469	1		
G91010942	2, 6		
G91013597	3, 8		
L20014076	2, 6		
PA010093	1		
PB010144	6		
PB010145	6		
PB010304PVD	1		
PB020275	3, 8		
PB070079	5, 7		
PB070245	2, 6		
PC020221	3, 8		
PC020247	3, 8		
PD020002	2, 6		
PD020004	1, 2, 6		
PD020032	1, 2, 6		
PD020033	2, 6		
PD020063	2, 6		
PD020073	2, 6		
PD020232	3, 8		
PD020261	1		
PD030006	6		
PE010142	6		
PE010143	6		
PE050115	3, 8		
PE050206	3, 8		
PE050208	5, 7		
PE050250	5, 7		
PE060089	2, 6		