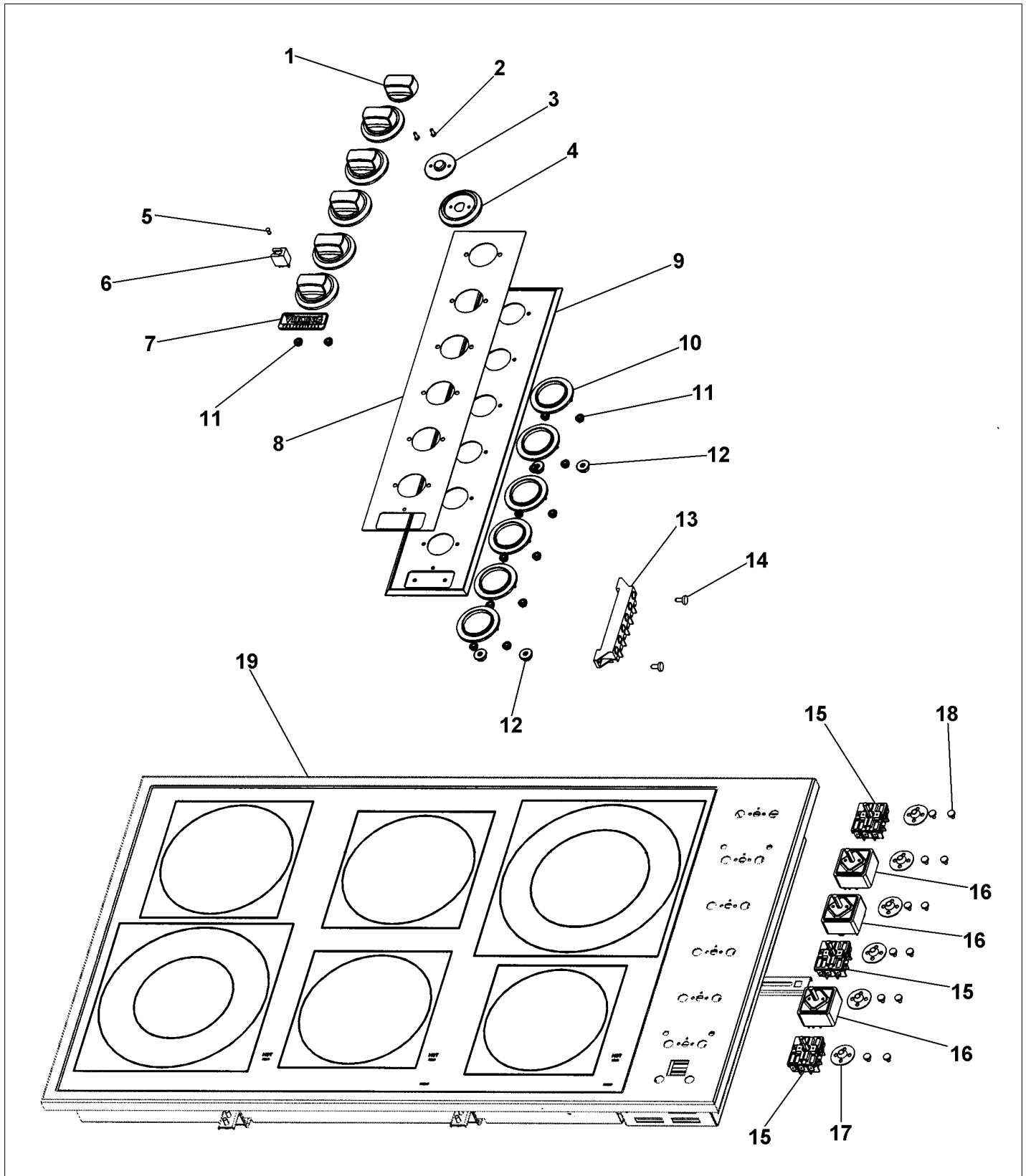


**VECU166**

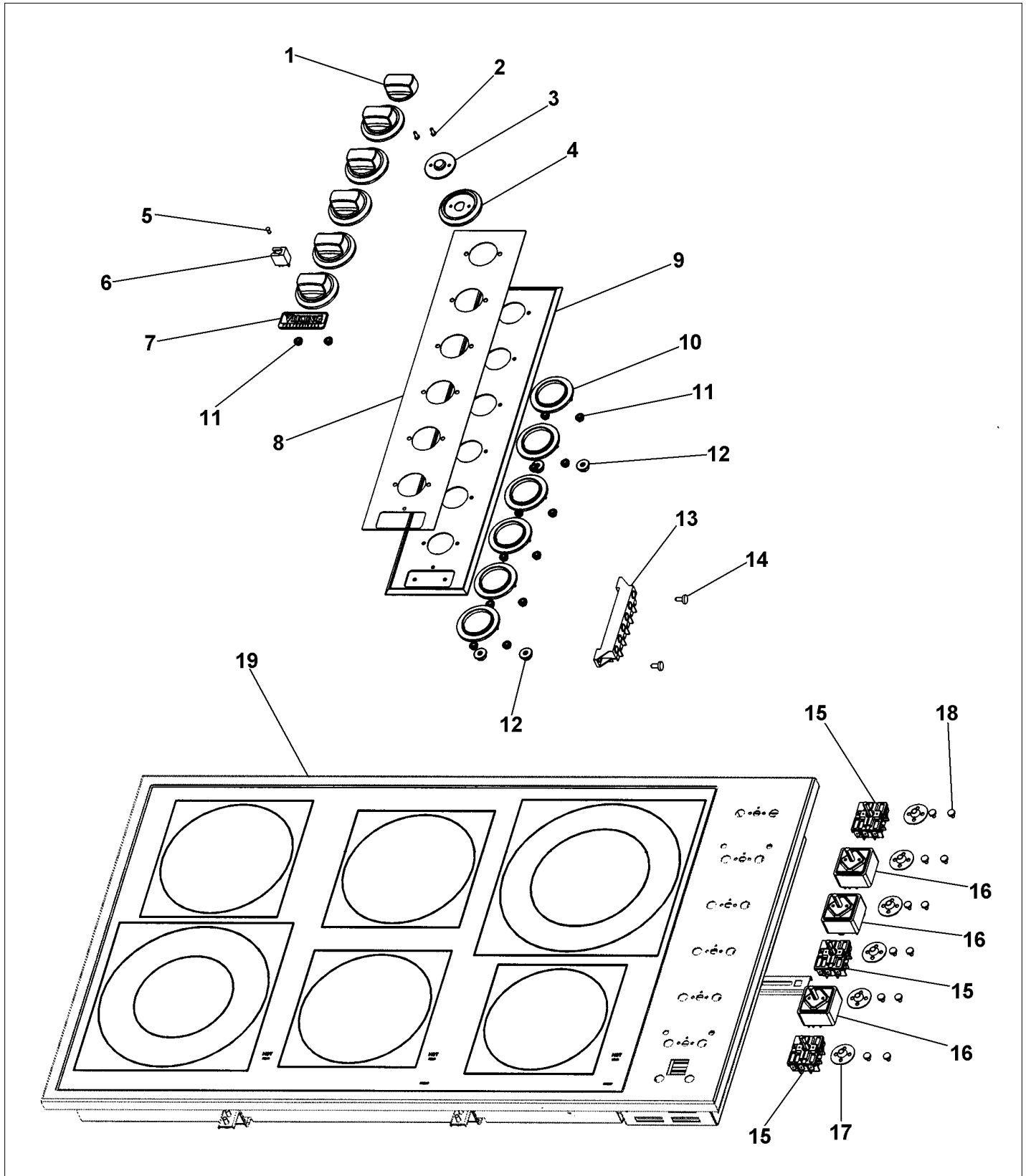
CONTROL AND TOP ASSY .....	1
LOWER ASSY .....	2
Appendix A:Pages Index .....	A
Appendix B:Parts Index .....	B



CONTROL AND TOP ASSY



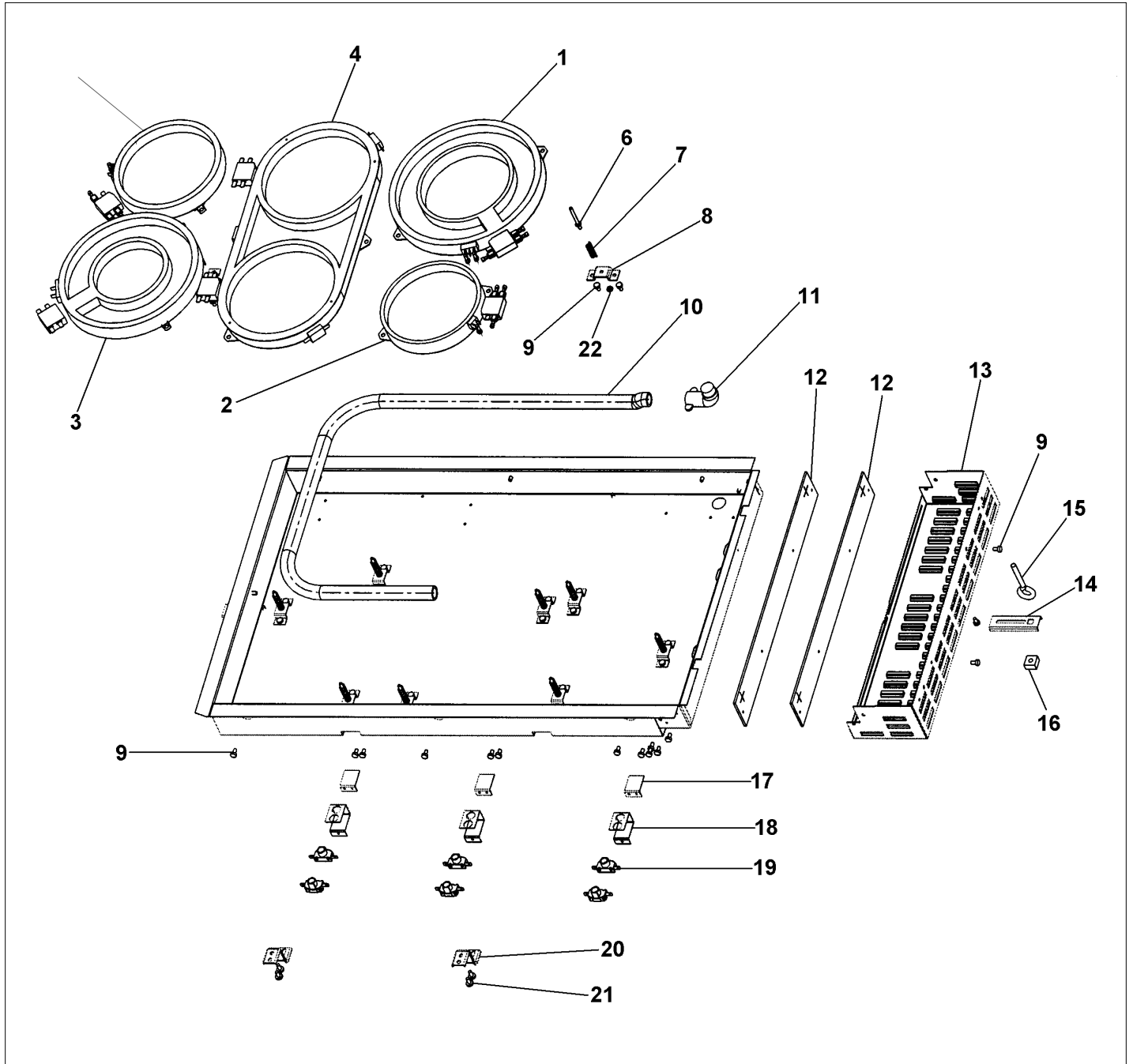
Item	Part No.	Name	Qty	Uom	NOTES
1	PA010174	COOKTOP KNOB BLACK	1	EA	
Not Shown	PA010175	COOKTOP KNOB (WHITE)	1	EA	NO LONGER AVAILABLE
Not Shown	036415-000	KNOB, BODY VGSU CR3	1	EA	
2	PD020076	6-32 X 3/8" PHILL PAN MS	1	EA	
3	PA010179	VESC KNOB MOUNT CORE	1	EA	
4	PB010263	UPPER BEZEL	1	EA	
Not Shown	PB010263PVD	UPPER BEZEL BRASS (BLACK)	1	EA	
5	PE050187	POWER LIGHT LENS	1	EA	
6	PE050079	LENS OPENING	1	EA	
7	PE010165	VIKING CHROME PLATE LOGO	1	EA	
Not Shown	PE010166	VIKING LOGO BRASS	1	EA	NO LONGER AVAILABLE
Not Shown	PE010176	2.5" WHITE CHROME LOGO	1	EA	Not available online / Call for pricing and availability
Not Shown	PE010177	2.5" WHITE BRASS LOGO	1	EA	
8	PE040252	VECU 36" CONTROL PANEL INLAY	1	EA	
Not Shown	PE040265	VECU 36" CONTROL PANEL INLAY WHITE GRAPHICS	1	EA	NO LONGER AVAILABLE
9	PE040251	36" ELECTRIC CONTROL PANEL	1	EA	
10	PB010262	LOWER BEZEL	1	EA	
11	PD030006	CAPPED WASHER PAL NUT	1	EA	
12	PD030142	SERRATED FLANGE NUT - 5/16NC	1	EA	NO LONGER AVAILABLE
13	054135-000	BLOCK, TERMINAL, 6-POLE (Heyco # 9454)	1	EA	
14	PD020002	10 X 1/2 PH.TR.HD.SMS.	1	EA	
15	G50013539	PJ030028 INFINITE SWITCH SERVICE KIT	1	EA	
16	PJ030019	INFINITE SWITCH	1	EA	
17	PB070078	SILICONE GASKET (DESU)	1	EA	
18	PD020044	#8-32 X 1/4" PH. TR. HD. M.S.	1	EA	
19	G50012147BK	36" VECU TOP ASSY *BK*	1	EA	





Item	Part No.	Name	Qty	Uom	NOTES
Not Shown	G50012147WH	36" VECU TOP ASSY *WH*	1	EA	NO LONGER AVAILABLE, Not available online / Call for pricing and availability

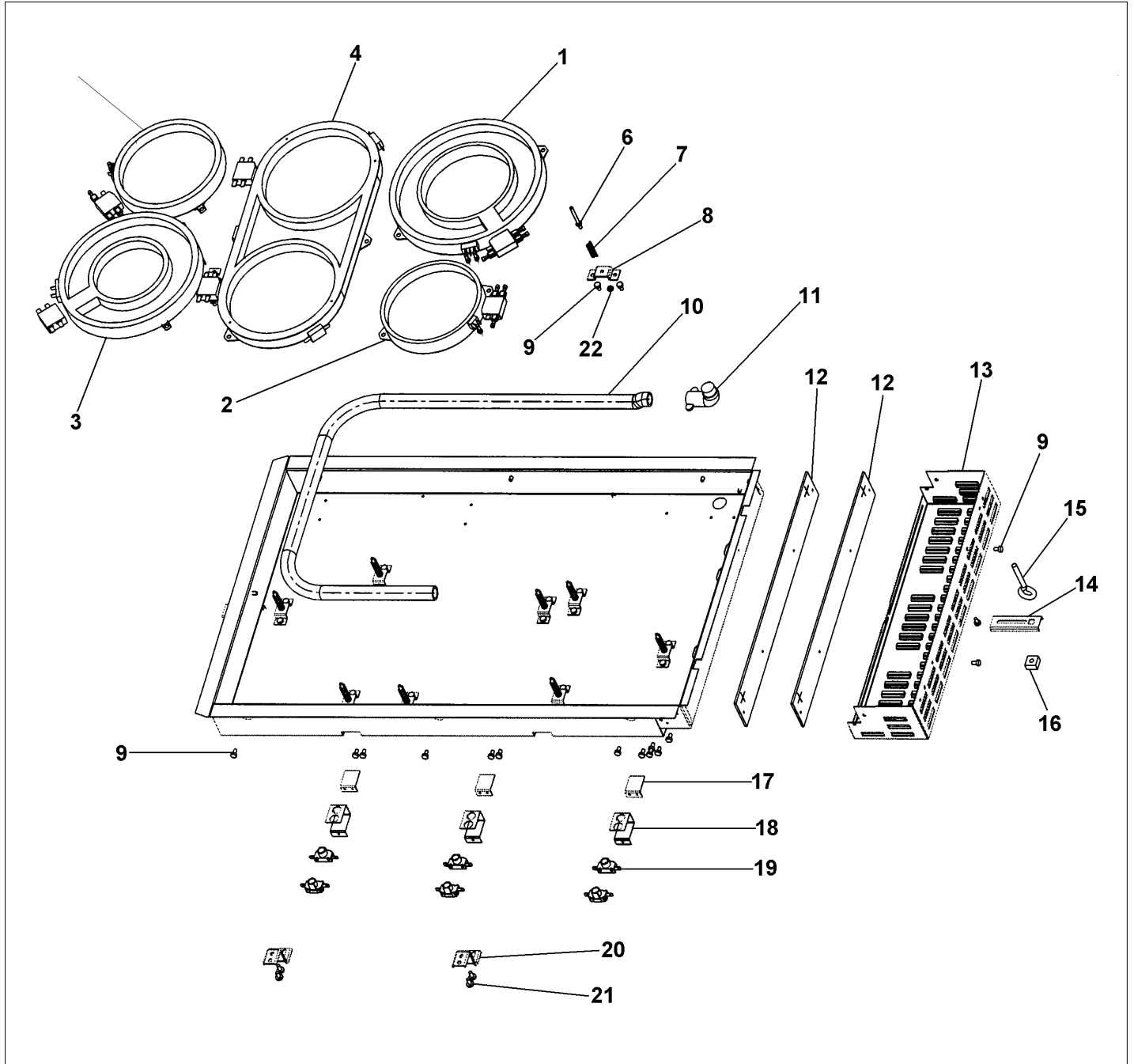
LOWER ASSY







Item	Part No.	Name	Qty	Uom	NOTES
1	PJ020005	2500 ELEMENT	1	EA	
2	PJ020006	1200 ELEMENT	1	EA	
3	PJ020002	ELEMENT 2200 (750)	1	EA	
4	PJ020004	ELEMENT-(2)1800 X 800	1	EA	
5	PJ020003	ELEMENT	1	EA	
6	PD010048	BURNER GUIDE ASSEMBLY DESU	1	EA	
7	PC010006	GUIDE SPRING DESU	1	EA	
8	A2005055	BOTTOM ELEMENT BRACKET (VESU)	1	EA	NO LONGER AVAILABLE
9	PD020004	10X3/8PH.HD.TYPE 25 REPL PD040125	1	EA	
10	PB020071	CONDUIT - FLEXIBLE (48")	1	EA	
11	PB040070	CONDUIT FITTING (90 DEG)	1	EA	
12	PB070232	FOIL BACK INSULATION	1	EA	NO LONGER AVAILABLE
13	A2005056	CONTROL PANEL BOX	1	EA	NO LONGER AVAILABLE, Not available online / Call for pricing and availability
14	A2003053	Retainer Bracket	1	EA	
15	PD010027	EYE BOLT-VGSU101/161	1	EA	
16	PD030029	SELF RETAINING NUT (1/4-20)	1	EA	
17	A2005062	LIGHT SUPPORT	1	EA	NO LONGER AVAILABLE, Not available online / Call for pricing and availability
18	A2005061	LIGHT COVER	1	EA	NO LONGER AVAILABLE, Not available online / Call for pricing and availability
19	PE050077	INDICATOR LIGHT	1	EA	
20	A2105068	MOUNTING BRACKET	1	EA	
21	PD020002	10 X 1/2 PH.TR.HD.SMS.	1	EA	
22	PD040056	ELEMENT STUD NUT	1	EA	NO LONGER AVAILABLE
NI	PE070644	VECU166 WIRE HARNESS	1	EA	NO LONGER AVAILABLE





Item	Part No.	Name	Qty	Uom	NOTES
NI	G4003016	GREEN - SUPPLY WIRE	1	EA	NO LONGER AVAILABLE, Not available online / Call for pricing and availability
NI	PE070563	*BK* WIRE (8 GA.SF-2 200DEG.C600V)	1	EA	NO LONGER AVAILABLE, Not available online / Call for pricing and availability
NI	PE070562	RED WIRE (8 GA. SF-2 200 DEG.C 600V)	1	EA	NO LONGER AVAILABLE, Not available online / Call for pricing and availability



Appendix A:Pages Index

CONTROL AND TOP ASSY .....	1
LOWER ASSY .....	2



Appendix B:Parts Index

036415-000	1	PE050077	2
054135-000	1	PE050079	1
A2003053	2	PE050187	1
A2005055	2	PE070562	2
A2005056	2	PE070563	2
A2005061	2	PE070644	2
A2005062	2	PJ020002	2
A2105068	2	PJ020003	2
G4003016	2	PJ020004	2
G50012147BK	1	PJ020005	2
G50012147WH	1	PJ020006	2
G50013539	1	PJ030019	1
PA010174	1		
PA010175	1		
PA010179	1		
PB010262	1		
PB010263	1		
PB010263PVD	1		
PB020071	2		
PB040070	2		
PB070078	1		
PB070232	2		
PC010006	2		
PD010027	2		
PD010048	2		
PD020002	1, 2		
PD020004	2		
PD020044	1		
PD020076	1		
PD030006	1		
PD030029	2		
PD030142	1		
PD040056	2		
PE010165	1		
PE010166	1		
PE010176	1		
PE010177	1		
PE040251	1		
PE040252	1		
PE040265	1		