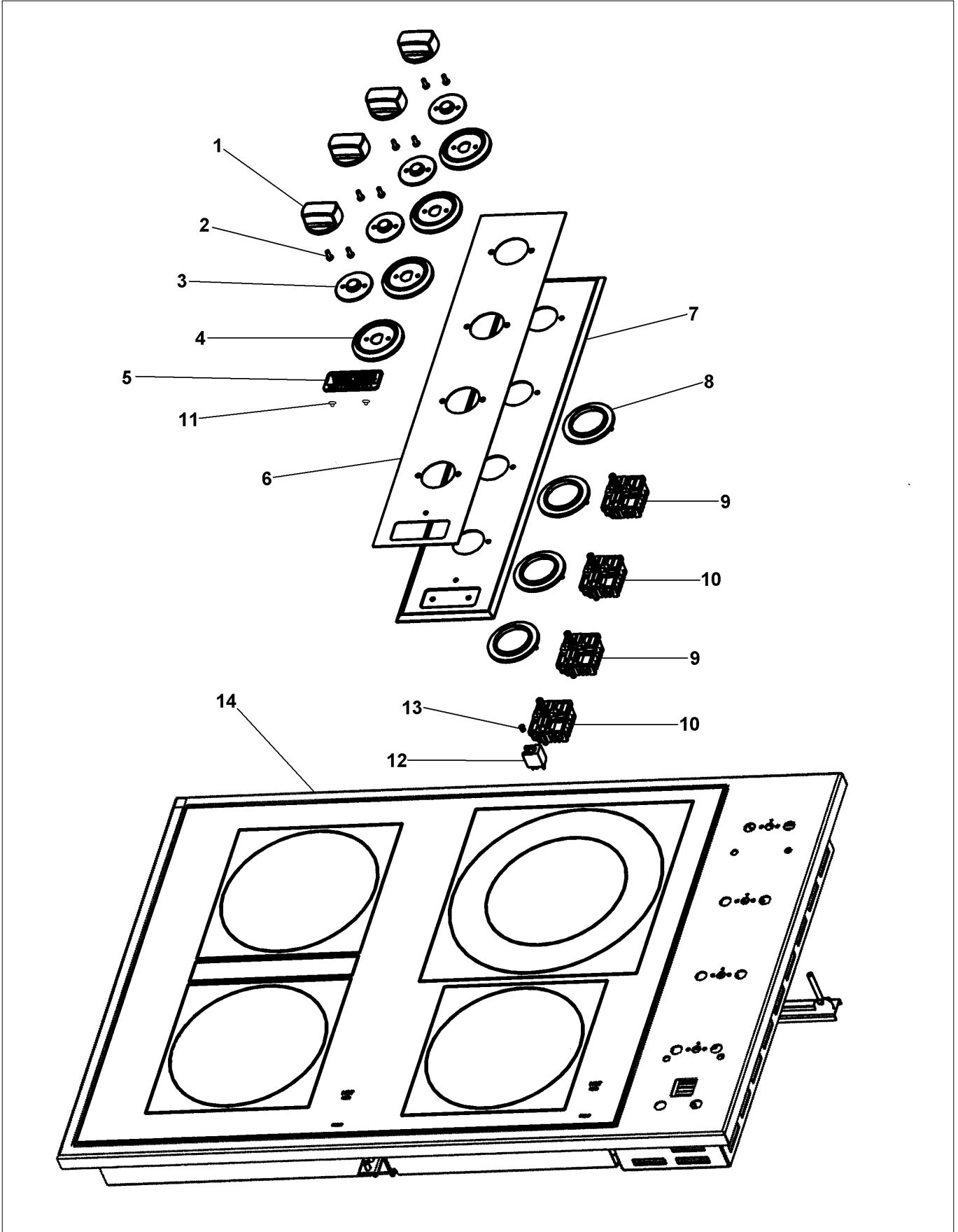


VECU106

CONTROL AND TOP ASSEMBLY	1
LOWER ASSEMBLY	2
Appendix A:Pages Index	A
Appendix B:Parts Index	B

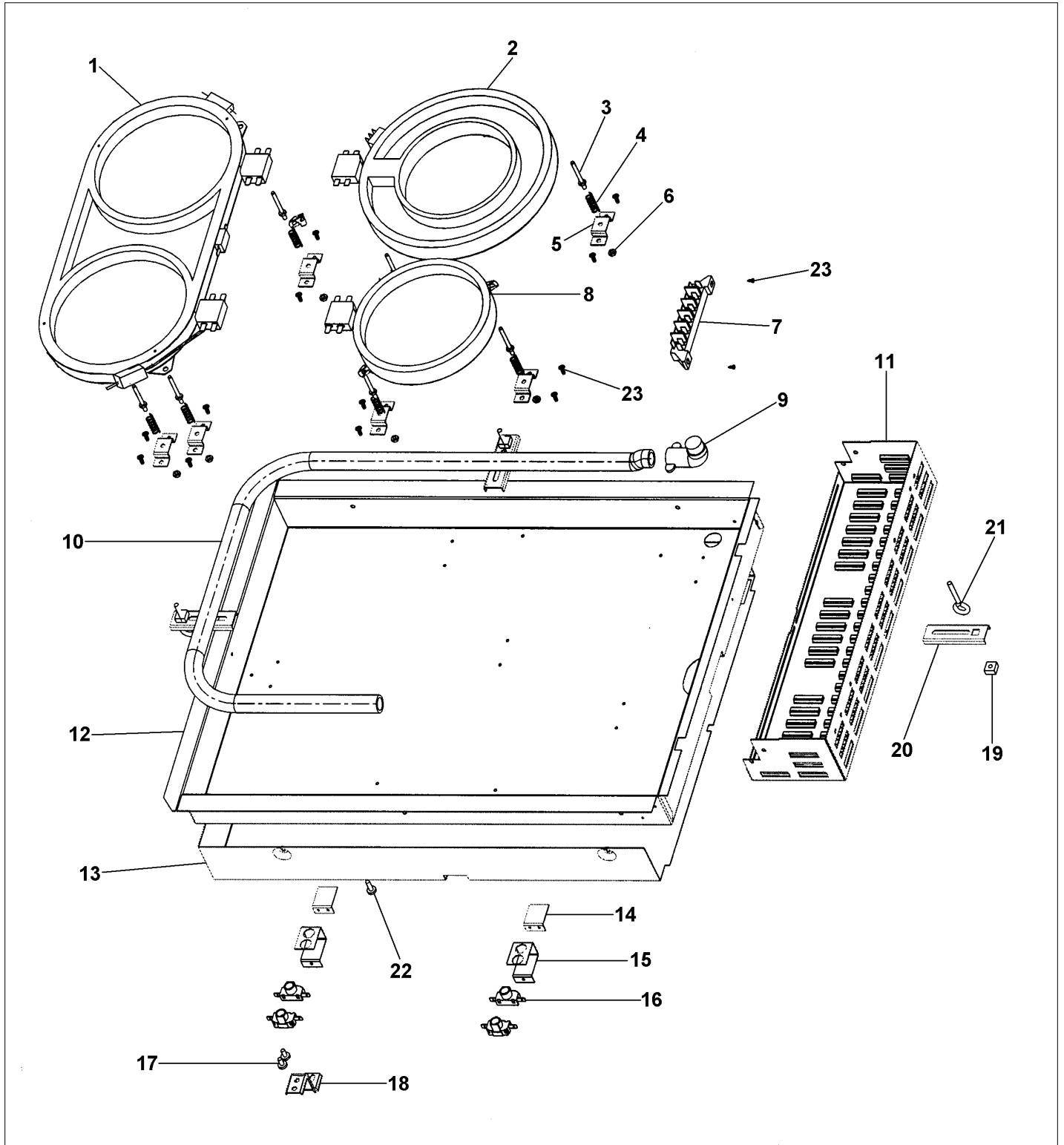
CONTROL AND TOP ASSEMBLY



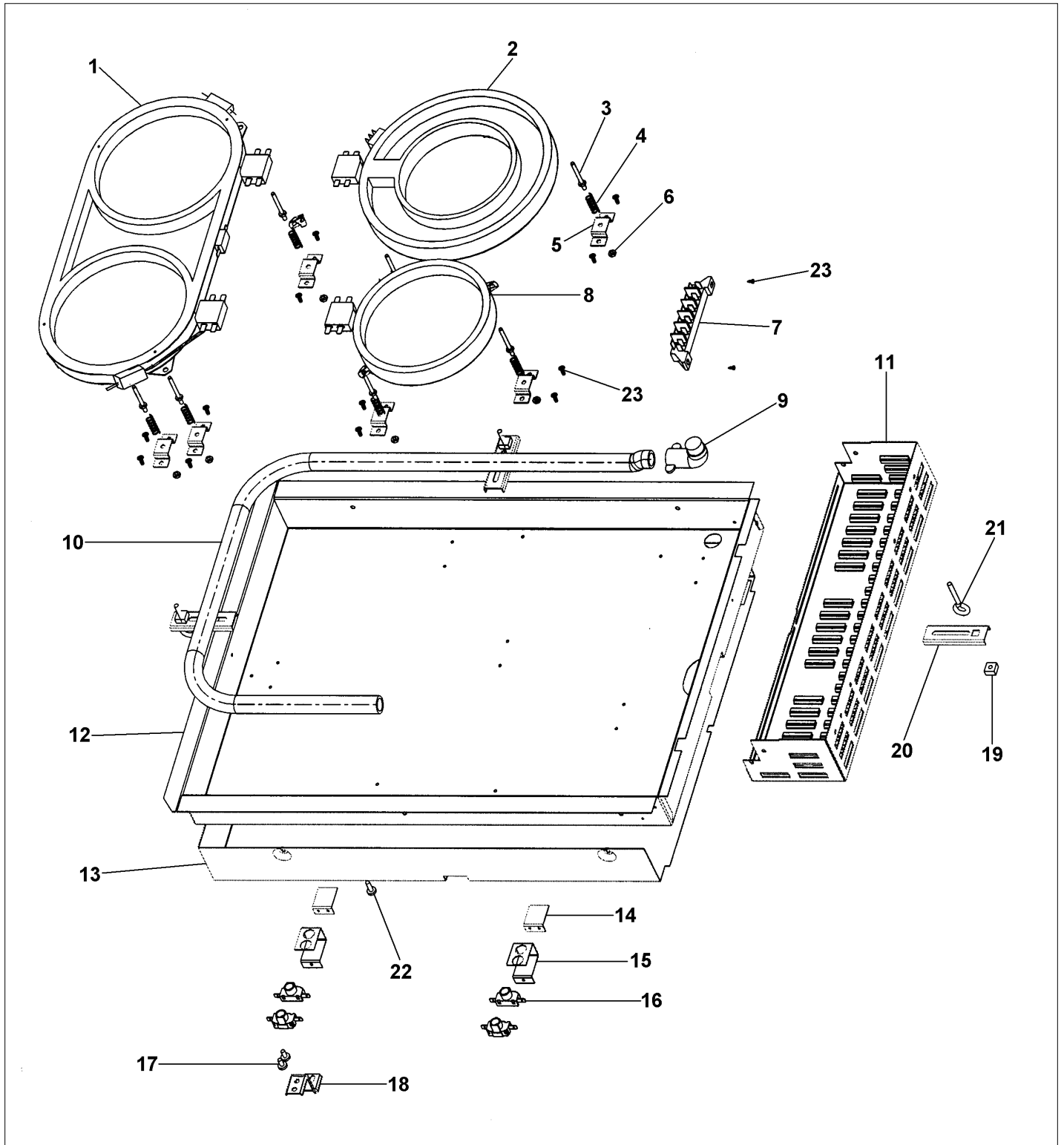


Item	Part No.	Name	Qty	Uom	NOTES
1	PA010174	COOKTOP KNOB BLACK	1	EA	
Not Shown	PA010175	COOKTOP KNOB (WHITE)	1	EA	NO LONGER AVAILABLE
Not Shown	036415-000	KNOB, BODY VGSU CR3	1	EA	
2	PD020076	6-32 X 3/8" PHILL PAN MS	1	EA	
3	PA010179	VESC KNOB MOUNT CORE	1	EA	
4	PB010263	UPPER BEZEL	1	EA	
Not Shown	PB010263PVD	UPPER BEZEL BRASS (BLACK)	1	EA	
5	PE010191	2 1/2" VIKING LOGO BLACK/CHROME	1	EA	
Not Shown	PE010192	2 1/2" VIKING LOGO BLACK/BRASS	1	EA	
Not Shown	PE010193	2 1/2" VIKING LOGO WHITE/CHROME	1	EA	
Not Shown	PE010194	2 1/2" VIKING LOGO WHITE/BRASS	1	EA	NO LONGER AVAILABLE
6	PE040254	VECU 30" CONTROL PANEL INLAY	1	EA	
Not Shown	PE040268	VECU 30" CONTROL PANEL INLAY WHITE GRAPHICS	1	EA	NO LONGER AVAILABLE, Not available online / Call for pricing and availability
7	PE040253	VECU 30" CONTROL PANEL	1	EA	Not available online / Call for pricing and availability
8	PB010262	LOWER BEZEL	1	EA	
9	G50013539	PJ030028 INFINITE SWITCH SERVICE KIT	1	EA	
10	PJ030019	INFINITE SWITCH	1	EA	
11	PD030006	CAPPED WASHER PAL NUT	1	EA	
12	PE050079	LENS OPENING	1	EA	
13	PE050080	JEMCO LENS	1	EA	
14	G50012146BK	30" VECU TOP ASSY *BK*	1	EA	
Not Shown	G50012146WH	30" VECU TOP ASSY *WH*	1	EA	NO LONGER AVAILABLE, Not available online / Call for pricing and availability

LOWER ASSEMBLY



Item	Part No.	Name	Qty	Uom	NOTES
1	PJ020004	ELEMENT-(2)1800 X 800	1	EA	
2	PJ020005	2500 ELEMENT	1	EA	
3	PD010048	BURNER GUIDE ASSEMBLY DESU	1	EA	
4	PC010006	GUIDE SPRING DESU	1	EA	
5	A2005055	BOTTOM ELEMENT BRACKET (VESU)	1	EA	NO LONGER AVAILABLE
6	PD040056	ELEMENT STUD NUT	1	EA	NO LONGER AVAILABLE
7	054135-000	BLOCK, TERMINAL, 6-POLE (Heyco # 9454)	1	EA	
8	PJ020003	ELEMENT	1	EA	
9	PB040070	CONDUIT FITTING (90 DEG)	1	EA	
10	PB020071	CONDUIT - FLEXIBLE (48")	1	EA	
11	A2005056	CONTROL PANEL BOX	1	EA	NO LONGER AVAILABLE, Not available online / Call for pricing and availability
12	A3005053	BURNER BOX 30" (VESU100)	1	EA	NO LONGER AVAILABLE, Not available online / Call for pricing and availability
13	A2005067	REAR COVER 30"	1	EA	NO LONGER AVAILABLE, Not available online / Call for pricing and availability
14	A2005062	LIGHT SUPPORT	1	EA	NO LONGER AVAILABLE, Not available online / Call for pricing and availability
15	A2005061	LIGHT COVER	1	EA	NO LONGER AVAILABLE, Not available online / Call for pricing and availability
16	PE050077	INDICATOR LIGHT	1	EA	
17	PD020002	10 X 1/2 PH.TR.HD.SMS.	1	EA	
18	A2105068	MOUNTING BRACKET	1	EA	
19	PD030029	SELF RETAINING NUT (1/4-20)	1	EA	
20	A2003053	Retainer Bracket	1	EA	
21	PD010027	EYE BOLT-VGSU101/161	1	EA	





Item	Part No.	Name	Qty	Uom	NOTES
22	PD020014	10X3/4 PH TR HD SMS	1	EA	
23	PD020014	10X3/4 PH TR HD SMS	1	EA	
NI	PE070477	WIRE HARNESS - 30"	1	EA	NO LONGER AVAILABLE, Not available online / Call for pricing and availability
NI	G4005073	BLACK SUPPLY WIRE ASSY	1	EA	NO LONGER AVAILABLE, Not available online / Call for pricing and availability
NI	G4003016	GREEN - SUPPLY WIRE	1	EA	NO LONGER AVAILABLE, Not available online / Call for pricing and availability
NI	G4005072	RED SUPPLY WIRE ASSY	1	EA	NO LONGER AVAILABLE, Not available online / Call for pricing and availability



Appendix A:Pages Index

CONTROL AND TOP ASSEMBLY 1
LOWER ASSEMBLY 2



Appendix B:Parts Index

036415-000	1	PE050077	2
054135-000	2	PE050079	1
A2003053	2	PE050080	1
A2005055	2	PE070477	2
A2005056	2	PJ020003	2
A2005061	2	PJ020004	2
A2005062	2	PJ020005	2
A2005067	2	PJ030019	1
A2105068	2		
A3005053	2		
G4003016	2		
G4005072	2		
G4005073	2		
G50012146BK	1		
G50012146WH	1		
G50013539	1		
PA010174	1		
PA010175	1		
PA010179	1		
PB010262	1		
PB010263	1		
PB010263PVD	1		
PB020071	2		
PB040070	2		
PC010006	2		
PD010027	2		
PD010048	2		
PD020002	2		
PD020014	2, 2		
PD020076	1		
PD030006	1		
PD030029	2		
PD040056	2		
PE010191	1		
PE010192	1		
PE010193	1		
PE010194	1		
PE040253	1		
PE040254	1		
PE040268	1		