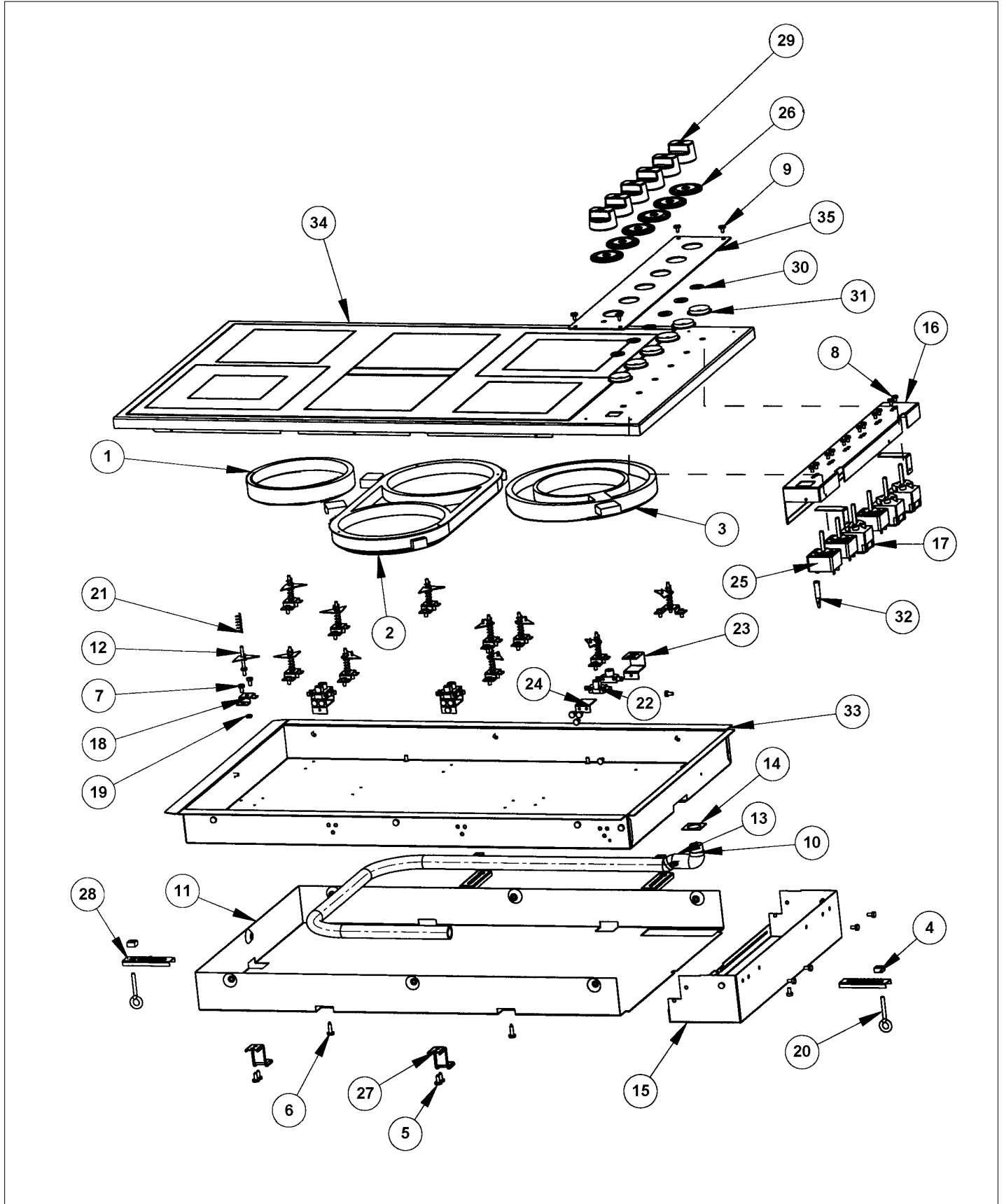


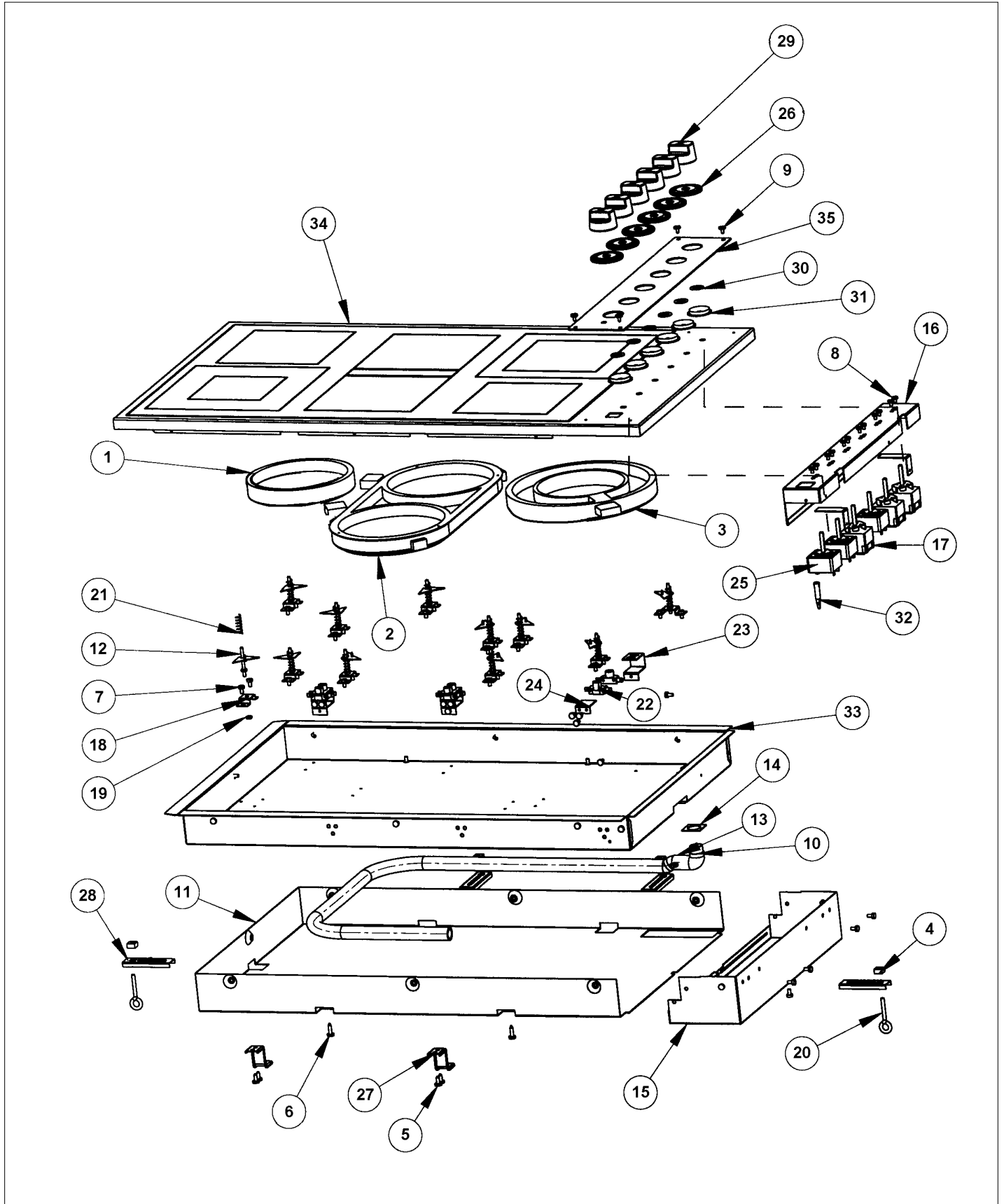
VECU105

VECU 105	1
Appendix A:Pages Index	A
Appendix B:Parts Index	B





Item	Part No.	Name	Qty	Uom	NOTES
1	PJ020003	ELEMENT	1	EA	
2	PJ020004	ELEMENT-(2)1800 X 800	1	EA	
3	PJ020005	2500 ELEMENT	1	EA	
4	PD030029	SELF RETAINING NUT (1/4-20)	1	EA	
5	PD020002	10 X 1/2 PH.TR.HD.SMS.	1	EA	
6	PD020014	10X3/4 PH TR HD SMS	1	EA	
7	PD020004	10X3/8PH.HD.TYPE 25 REPL PD040125	1	EA	
8	PD020044	#8-32 X 1/4" PH. TR. HD. M.S.	1	EA	
9	PD020032	SRW-8(A)X3/8"PH.WFR HD 7/16DIA*NICL	1	EA	
10	PB040070	CONDUIT FITTING (90 DEG)	1	EA	
11	A2005067	REAR COVER 30"	1	EA	NO LONGER AVAILABLE, Not available online / Call for pricing and availability
12	PD010048	BURNER GUIDE ASSEMBLY DESU	1	EA	
13	PB020071	CONDUIT - FLEXIBLE (48")	1	EA	
14	A1005074	CONDUIT PLATE	1	EA	Not available online / Call for pricing and availability
15	A2005056	CONTROL PANEL BOX	1	EA	NO LONGER AVAILABLE, Not available online / Call for pricing and availability
16	A2005058	CONTROL PANEL BRACKET (VESU)	1	EA	NO LONGER AVAILABLE, Not available online / Call for pricing and availability
17	G50013540	DUAL INFINITE SWITCH	1	EA	
18	A2005055	BOTTOM ELEMENT BRACKET (VESU)	1	EA	NO LONGER AVAILABLE
19	PD040056	ELEMENT STUD NUT	1	EA	NO LONGER AVAILABLE
20	PD010027	EYE BOLT-VGSU101/161	1	EA	
21	PC010006	GUIDE SPRING DESU	1	EA	
22	PE050077	INDICATOR LIGHT	1	EA	





Item	Part No.	Name	Qty	Uom	NOTES
23	A2005061	LIGHT COVER	1	EA	NO LONGER AVAILABLE, Not available online / Call for pricing and availability
24	A2005062	LIGHT SUPPORT	1	EA	NO LONGER AVAILABLE, Not available online / Call for pricing and availability
25	PJ030016	INFINITE SWITCH (VESU)	1	EA	
26	PB010152	Bezel - SS	1	EA	
Not Shown	PB010153	Bezel - BR	1	EA	
27	A2105068	MOUNTING BRACKET	1	EA	
28	A2003053	Retainer Bracket	1	EA	
29	PB010148	SELECTOR KNOB-*BK* (30"DOUBLE OVEN	1	EA	
Not Shown	PB010149	SELECTOR KNOB-*WH* (30" B-IN OVEN)	1	EA	
30	PD030042	SELF RETAINING CLIP (KNOB)#03-30135	1	EA	
31	PB070078	SILICONE GASKET (DESU)	1	EA	
32	PE050078	VECU POWER LIGHT	1	EA	
33	A3005053	BURNER BOX 30" (VESU100)	1	EA	NO LONGER AVAILABLE, Not available online / Call for pricing and availability
34	G3005051BK	VECU100 TOP *BK*	1	EA	
Not Shown	G3005051WH	VECU100 TOP *WH*	1	EA	NO LONGER AVAILABLE
35	PE040095	CONTROL PANEL - VESU100 *BK*	1	EA	NO LONGER AVAILABLE



Appendix A:Pages Index

VECU 105 1



Appendix B:Parts Index

A1005074	1
A2003053	1
A2005055	1
A2005056	1
A2005058	1
A2005061	1
A2005062	1
A2005067	1
A2105068	1
A3005053	1
G3005051BK	1
G3005051WH	1
G50013540	1
PB010148	1
PB010149	1
PB010152	1
PB010153	1
PB020071	1
PB040070	1
PB070078	1
PC010006	1
PD010027	1
PD010048	1
PD020002	1
PD020004	1
PD020014	1
PD020032	1
PD020044	1
PD030029	1
PD030042	1
PD040056	1
PE040095	1
PE050077	1
PE050078	1
PJ020003	1
PJ020004	1
PJ020005	1
PJ030016	1