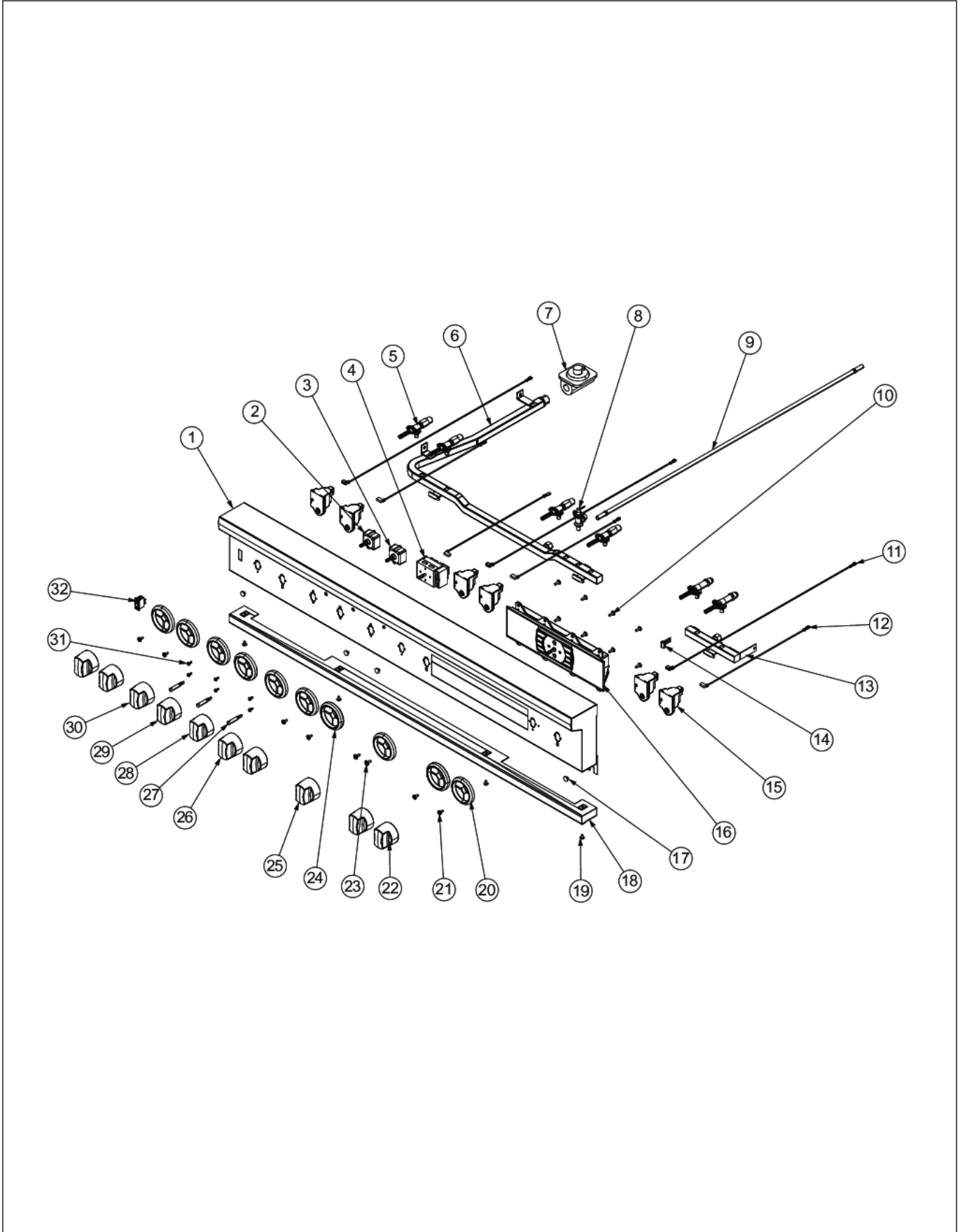


# **VDSC548T-6G**

CONTROL AREA .....	1
GRIDDLE ASSEMBLY .....	2
LH DOOR ASSEMBLY .....	3
LH OVEN CAVITY .....	4
LOWER UNIT AND SIDE PANEL .....	5
OVEN ELECTRONICS .....	6
REAR SHEET METAL .....	7
RH DOOR ASSEMBLY .....	8
RH OVEN CAVITY .....	9
SURFACE COOKING AREA .....	10
WIRING .....	11
Appendix A:Pages Index .....	A
Appendix B:Parts Index .....	B

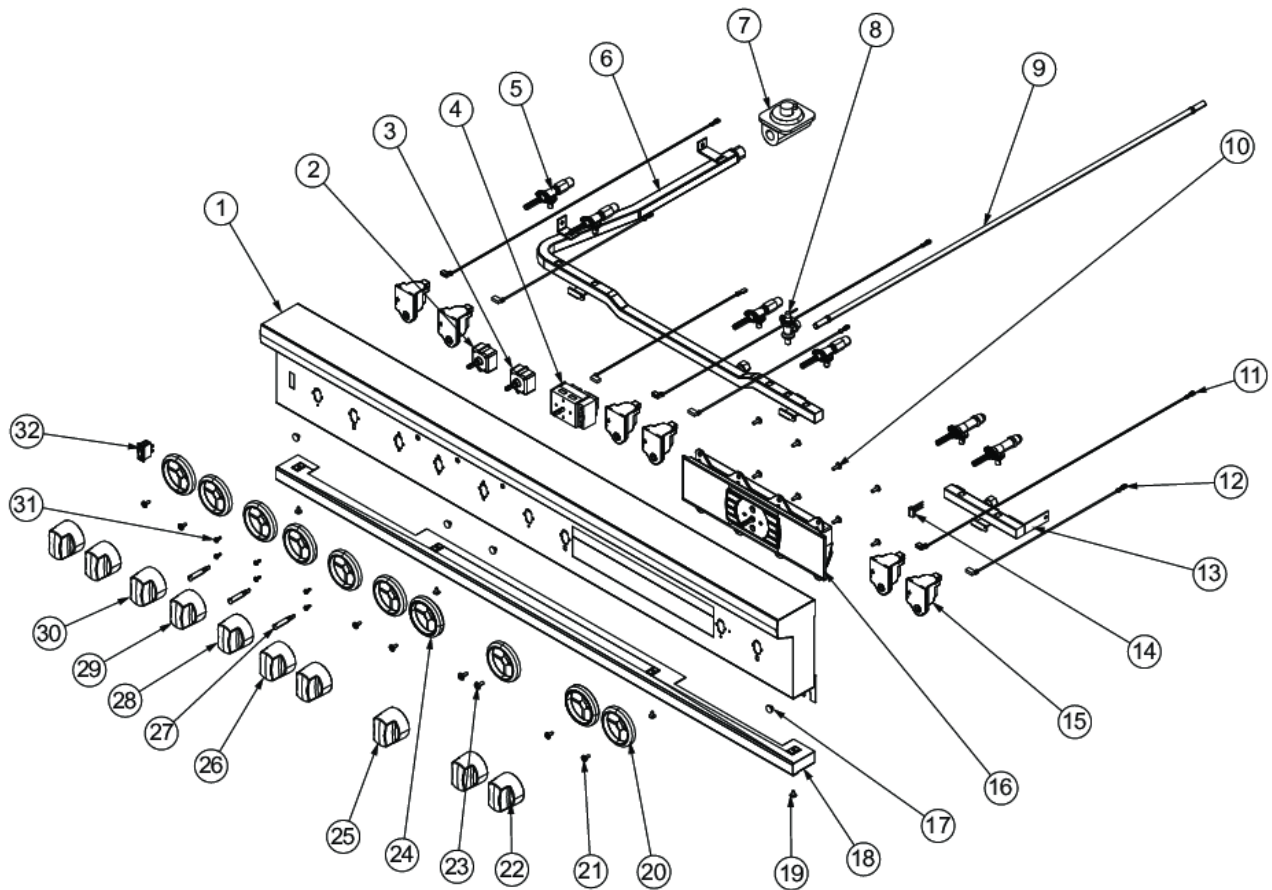


CONTROL AREA



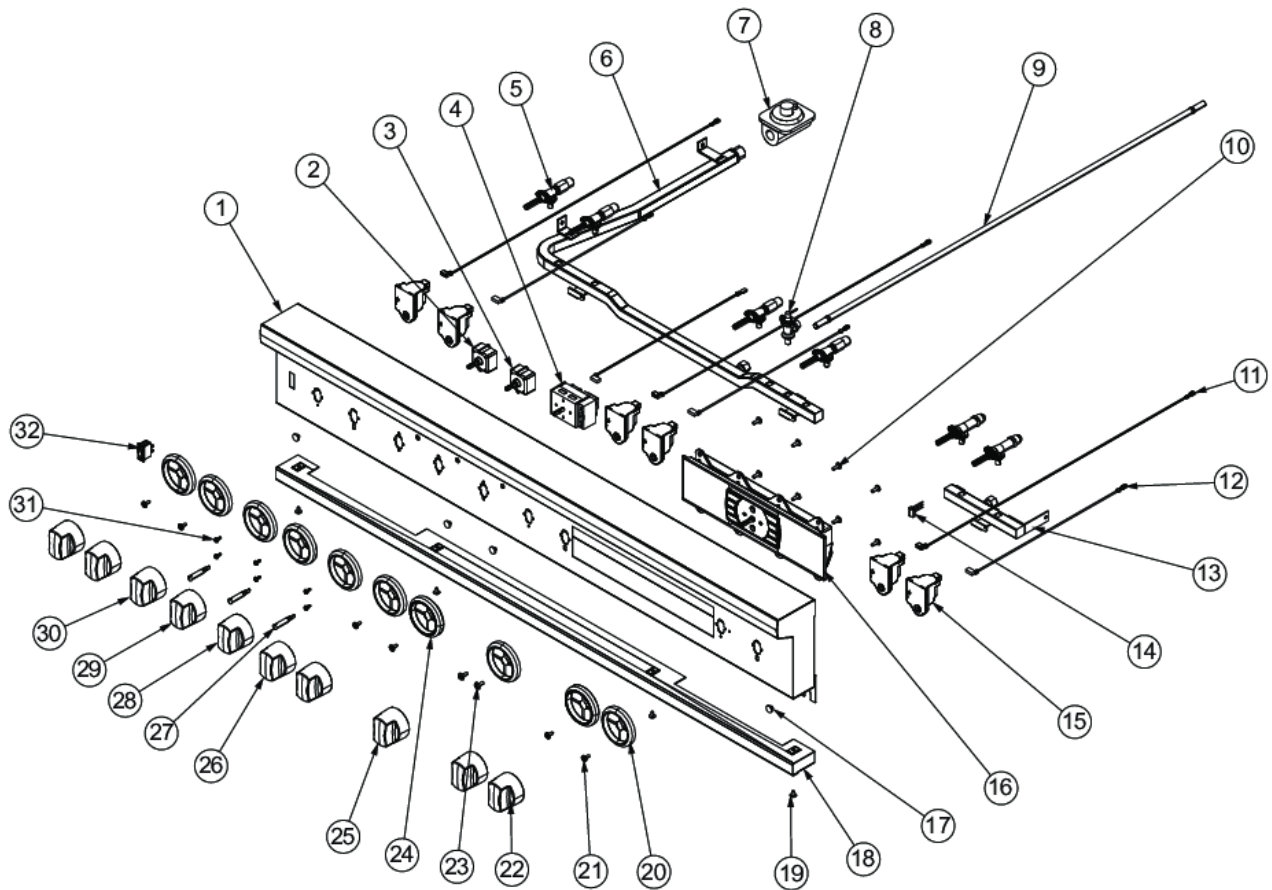


Item	Part No.	Name	Qty	Uom	NOTES
1	033487-000	CONTROL PANEL ASM VDSC548T6G W/GRAPHICS	1	EA	
2	PJ030035	THERMOSTAT	1	EA	
<p>Comments for Part Num. PJ030035</p> <p>parts@lvdistributes.com on Feb 7, 2018  this is not the correct part for this range it should be a 003225-000  Reply by JREXEC02@AOL.COM on Feb 27, 2018  003225-000 is an Induction Control.</p> <p>PJ030035 is the red colored thermostat for the Gas Range  *****</p>					
3	PJ030033	SELECTOR (10 POS)	1	EA	
4	013213-000	TSTAT, SMPS, ELEC, 2-POS, .91" SHAFT, CB	1	EA	
5	006313-000	VALVE, BRS, SEALED TOP	6	EA	
6	019814-000	MANIFOLD, GAS, ASM, LH	1	EA	
7	PA070003	PRESSURE REGULATOR (NAT.)	1	EA	
7	013386-000	LP PRESSURE REGULATOR	1	EA	
8	007147-000	SHUT OFF VALVE	1	EA	
9	PB020112	3/8 SS FLEX TUBING - 36" T6-36	1	EA	
10	PD010003	10-24 X 1/2 PH.TR.HD.SERD.M.S.	8	EA	
11	006766-000	IRIS IGNITOR WIRE, BACK BURNER	3	EA	
12	000647-000	IRIS IGNITOR WIRE, FRONT BURNER	4	EA	
13	019190-000	MANIFOLD ASM	1	EA	
14	PE070891	IRIS HARNESS - 48"	1	EA	
15	PA020058	IRIS SINGLE SPARK MODULE	6	EA	
16	013995-000	VDSC ELECTRONIC CONTROLS MODULE (See TC-0075-SP Parts Bulletin before ordering)	1	EA	





Item	Part No.	Name	Qty	Uom	NOTES
Comments for Part Num. 013995-000					
gboltz@VikingRange.com on Jul 7, 2017 SEE TC-0075-SP Bulletin before ordering					
17	PD040004	GROMMET BUMPER	4	EA	
18	011717-000	TRIM ASM	1	EA	
19	PD020032	SRW-8(A)X3/8"PH.WFR HD 7/16DIA*NICL	4	EA	
20	PB010304	KNOB BEZEL	8	EA	
21	PD020046	#8 X 1/2 SCREWS	6	EA	
22	005269-000	RANGE TOP BURNER KNOB- BRUSHED, SSS	6	EA	
Not Shown	NOTE	(BEFORE 12/20/12)		EA	
22	035881-000	KNOB, BNR, TOP PRO CR3	6	EA	
Not Shown	NOTE	(ON OR AFTER 12/20/12)		EA	
23	PD020033	SRW #10-24 X 1/2" T (23) PH WFR HD (NKL)	2	EA	
24	010348-000	KNOB BEZEL,VDSC, ELECTRONIC CONTROLS, SS	2	EA	
25	013950-000	OVEN KNOB, VDSC ELECTRONIC CONTROLS	1	EA	
Not Shown	NOTE	(BEFORE 12/20/12)		EA	
25	035900-000	KNOB, OVEN PRO VDSC CR3	1	EA	
Not Shown	NOTE	(ON OR AFTER 12/20/12)		EA	
27	015043-000	INDICATOR, LIGHT, BLUE LED	3	EA	
28	006570-000	KNOB, GRDL/(LH OVEN), ASM, PVD, #3, SSS	1	EA	
Comments for Part Num. 006570-000					
bradleysapplianceservice@shaw.ca on Aug 25, 2015 006570-000 Griddle Knob Satin Stainless Steel (SSS) - Serial Break: Before 12/20/12 035883-000 Griddle Knob Stainless Steel (SS) - Serial Break After 12/20/12  If stainless steel (SS) is required: Use part number 035883-000 Griddle Knob					

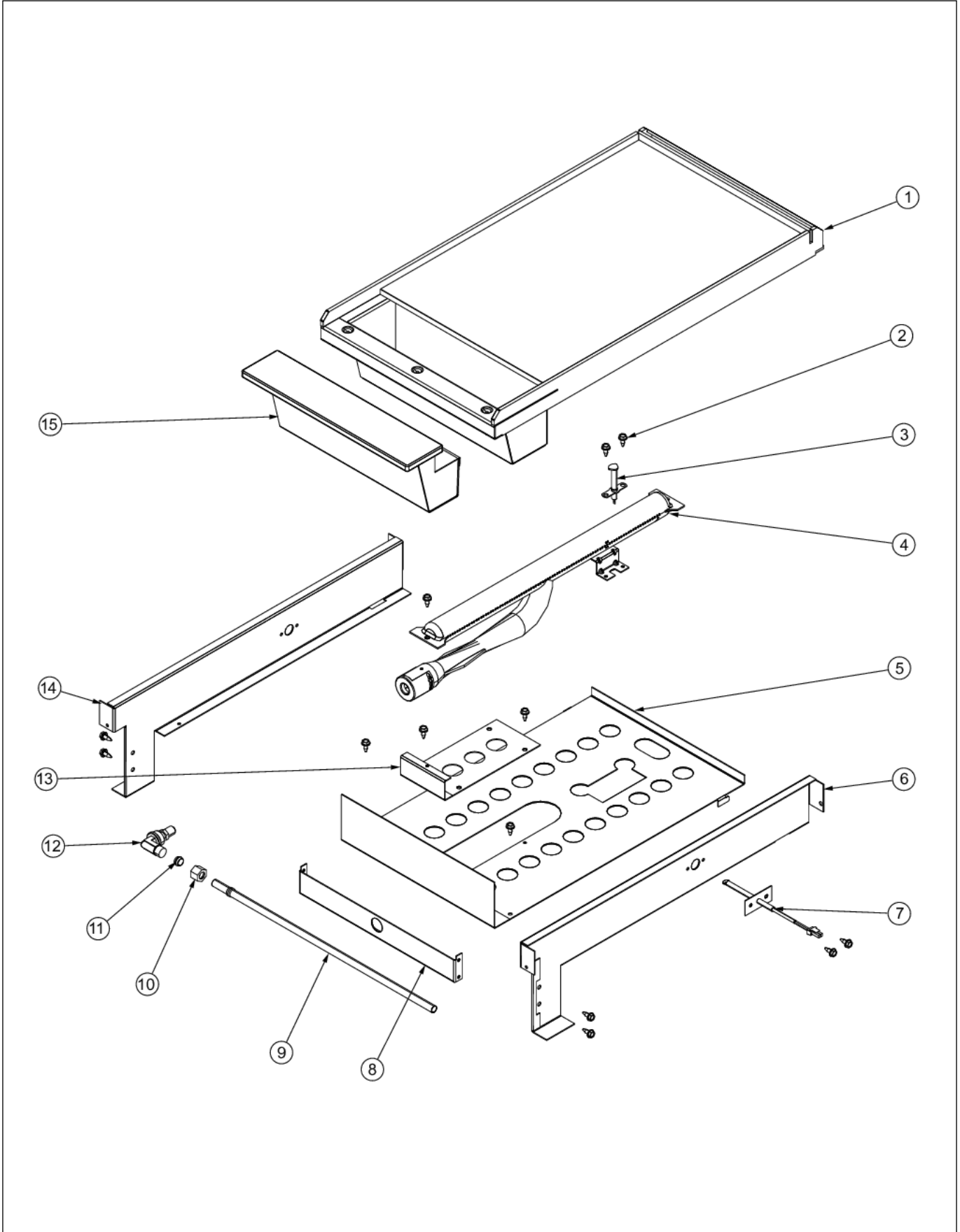






Item	Part No.	Name	Qty	Uom	NOTES
Not Shown	NOTE	(BEFORE 12/20/12)		EA	
28	035883-000	KNOB,GRDL,PRO CR3	1	EA	
Not Shown	NOTE	(ON OR AFTER 12/20/12)		EA	
29	006572-000	KNOB, SEL, ASM, LH, PVD, #3, SSS	1	EA	
Not Shown	NOTE	(BEFORE 12/20/12)		EA	
29	035898-000	KNOB,OVN,SEL, LH PRO VDSC/VESC CR3	1	EA	
Not Shown	NOTE	(ON OR AFTER 12/20/12)		EA	
30	005270-000	RANGE THERMOSTAT KNOB-BRUSHED, SSS	1	EA	
Not Shown	NOTE	(BEFORE 12/20/12)		EA	
30	035893-000	KNOB,OVN,TSTAT, PRO VDSC/VESC CR3	1	EA	
Not Shown	NOTE	(ON OR AFTER 12/20/12)		EA	
31	PD020062	#8-32 X 3/8 PHMS TYPE 1	6	EA	
32	003719-000	OVEN LIGHT SWITCH, BLACK	1	EA	

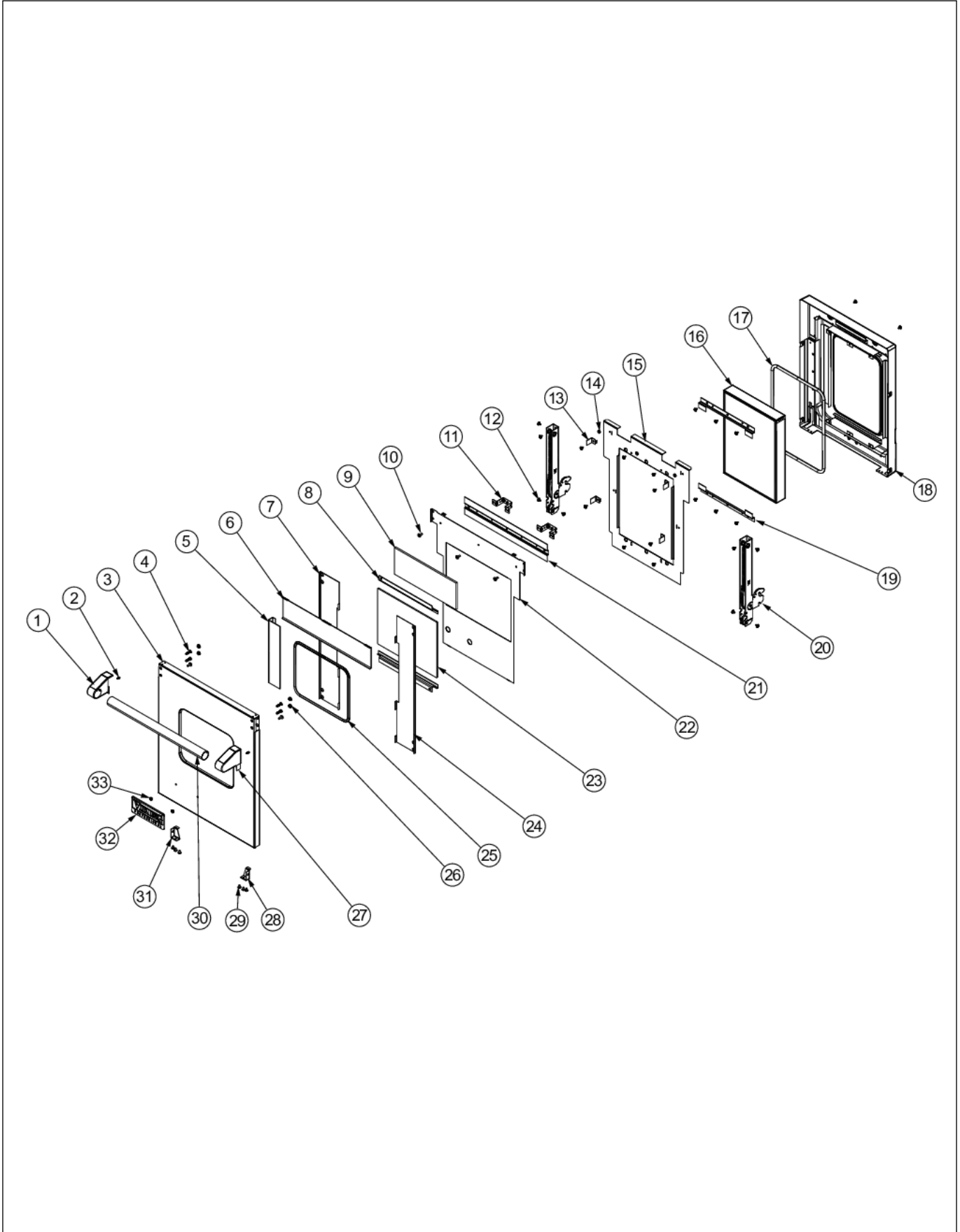
GRIDDLE ASSEMBLY



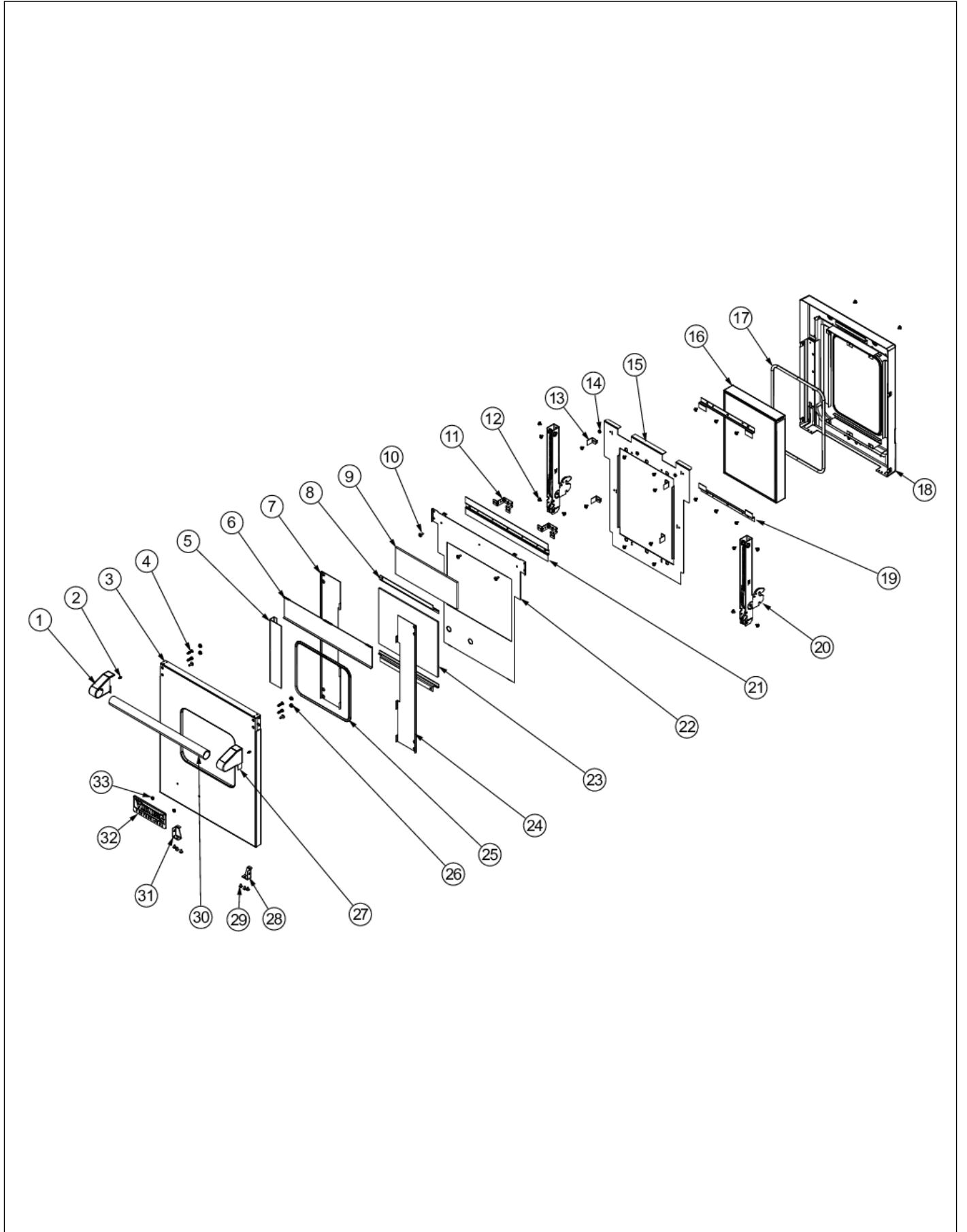


Item	Part No.	Name	Qty	Uom	NOTES
1	012291-000	GRIDDLE ASM, CUSTOM RANGES	1	EA	
1	016466-000	GRIDDLE BOX ASM, LP	1	EA	
2	003860-000	10-18 x .500 FASTNR,SCR,HXWH,STL,ZPLT	13	EA	
3	PA020028	SPARK IGNITER	1	EA	
4	013888-000	GRIDDLE, BURNER, ASM, NAT, W/IGNITOR BRACKET	1	EA	
4	013889-000	GRIDDLE, BURNER, ASM, LP, W/IGNITOR BRACKET	1	EA	
5	016292-000	BURNER BOX BOTTOM, GRILL	1	EA	
6	016295-000	SIDE, GRILL BOX, RH	1	EA	
7	PE050206	RTD THERMOSTAT PROBE	1	EA	
8	006783-000	GRIDDLE BRKT, ORIFICE, CUSTOM RANGES	1	EA	
9	PB020126	3/8" S.S. FLEX TUBING 15" (DGPU)	1	EA	
10	PB040213	3/8" COMPRESSION NUT (DGPU)	1	EA	
11	PB040192	3/8" CC FERREL (DGPU)	1	EA	
12	PB040190	90 DEGREE ORIFICE FITTING #50 NAT	1	EA	
12	002513-000	90 DEGREE ORIFICE FITTING #57 LP	1	EA	
13	016293-000	GRIDDLE SUPPORT, LEFT	1	EA	
14	006785-000	GRIDDLE, BOX, VENTURI, COVER	1	EA	
15	023451-000	TROUGH, ASM	1	EA	

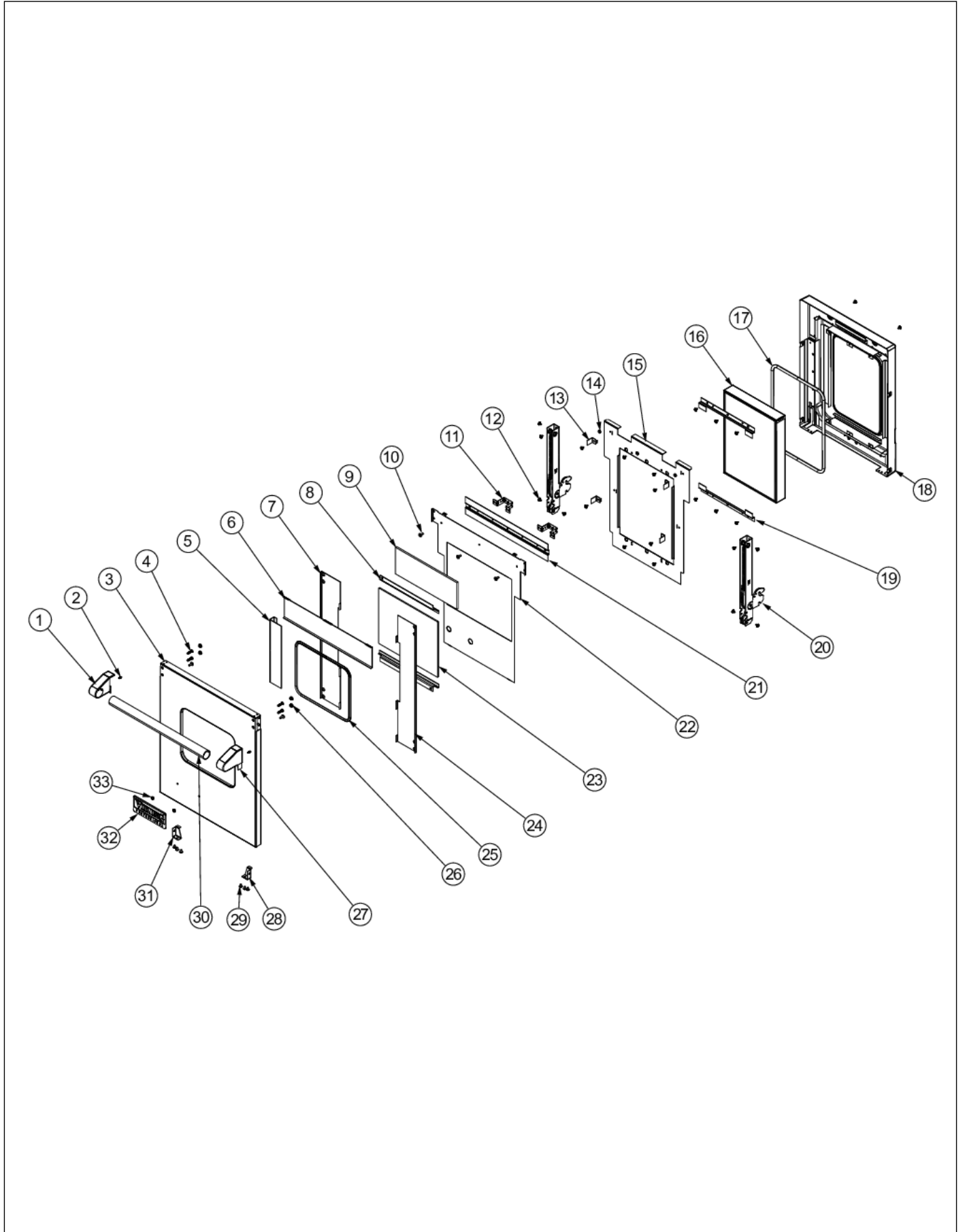
# LH DOOR ASSEMBLY



Item	Part No.	Name	Qty	Uom	NOTES
1	003011-000	DOOR HANDLE ENDCAP ASSY, LH (CHROME)	1	EA	
1	003011-100	DOOR HANDLE ENDCAP ASSY, LH (BRASS)	1	EA	
2	003650-000	SET SCREW	2	EA	Not available online / Call for pricing and availability
3	006213-000	DOOR SKIN, 18" STAINLESS	1	EA	
4	030823-000	#10-32 PAN HEAD PHILLIPS MACHINE SCREW	1	EA	
5	011178-000	DOOR, SINK, LH, AL	1	EA	
6	006219-000	DOOR, SINK, AL	1	EA	
7	009428-000	BRACKET, DOOR, RH	1	EA	
8	020437-000	WINDOW HOLDER	2	EA	
9	006220-000	INSULATION, DOOR, SKIN, TOP, VDSC18"	1	EA	
10	PD020033	SRW #10-24 X 1/2" T (23) PH WFR HD (NKL)	2	EA	
11	A21014003	DOOR LINER MTG. BRKT.	1	EA	
12	PD020063	SCREW-#8(A) X 3/8"PH WFR HD/BK OXID	24	EA	
13	009426-000	STANDOFF, BRACKET, DOOR, LINER, VDSC18"	4	EA	
14	PD030010	#10-24 KEPS NUT ZINC PLATED	1	EA	
15	006209-000	DOOR LINER INSULATION RETAINER, 18"	1	EA	
16	005300-000	GLASS, WINDOW PACK, 18"	1	EA	
17	000594-000	BLACK FIBERGLASS ROPE 3/8	1	EA	
18	002709-000	DOOR LINER WELDED ASM, VDSC18	1	EA	
Not Shown	NOTE	(BEFORE 12/20/12)		EA	
18	002709-402	LINER, DOOR, WLD, ASSY 18" BK	1	EA	
Not Shown	NOTE	(ON OR AFTER 12/20/12)		EA	
19	006207-000	DOOR GLASS HOLDER BRACKET, 18 DOOR	2	EA	
20	008276-000	HINGE, DOOR	1	EA	

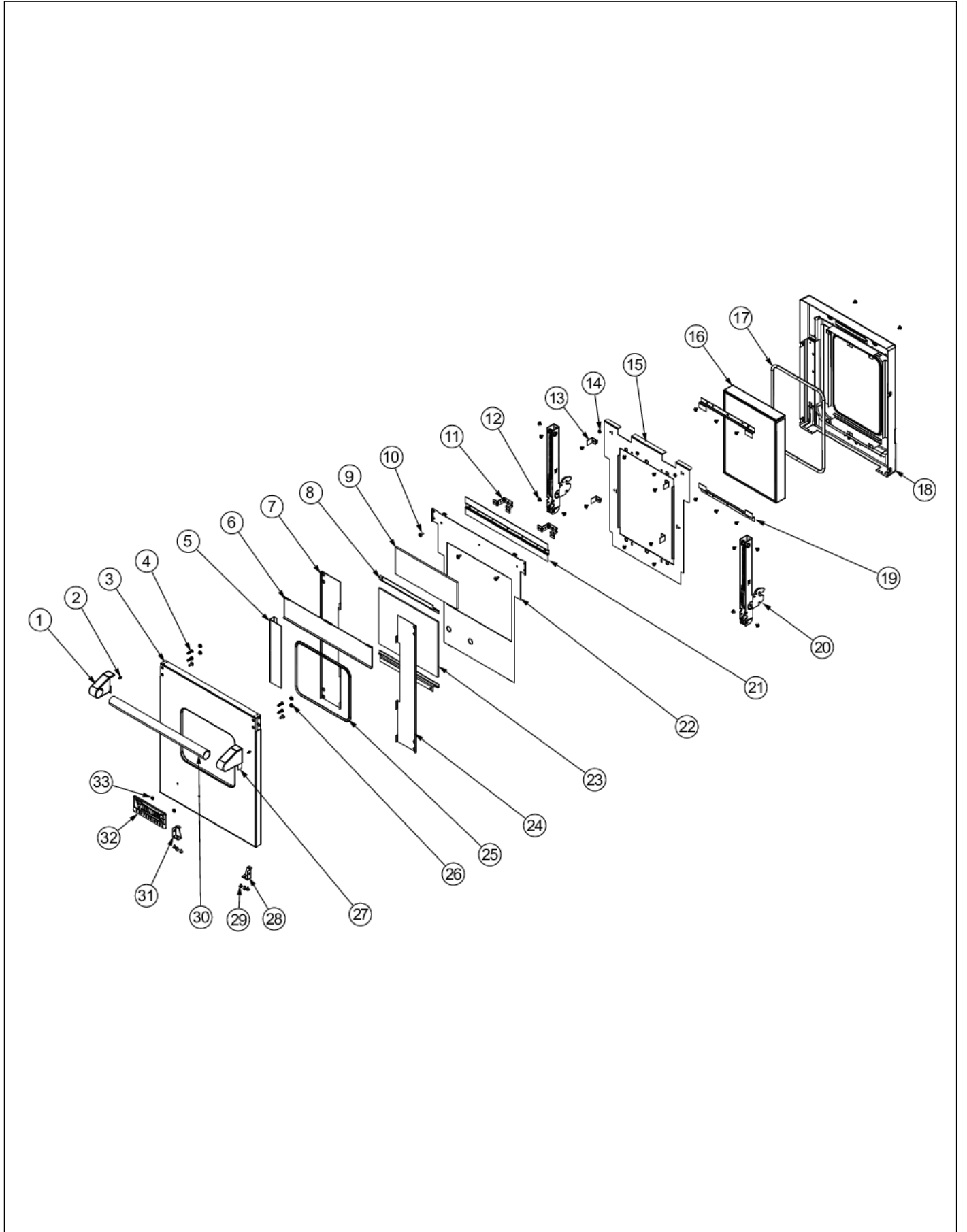


Item	Part No.	Name	Qty	Uom	NOTES
21	006224-000	BRACKET, DOOR, MT, VDSC 18"	1	EA	
22	006222-000	DOOR SKIN INSULATION RETAINER 18"	1	EA	
23	006218-000	DOOR, GLASS, OUTER 18"	1	EA	
24	009427-000	BRACKET, DOOR, LH	1	EA	
25	006214-000	DOOR, SKIN, J-MOLD, VDSC 18", CHROME	1	EA	
26	004907-000	STEEL FINISHING PLUG, NICKEL PLTD 25/64" HOLE	2	EA	
27	003012-000	DOOR HANDLE ENDCAP ASSY, RH (CHROME)	1	EA	
27	003012-100	DOOR HANDLE ENDCAP ASSY, RH (BRASS) - NLA	1	EA	
28	006807-000	HINGE, BRACKET, RH	1	EA	
29	PD020032	SRW-8(A)X3/8"PH.WFR HD 7/16DIA*NICL	6	EA	
30	006221-000	18" DOOR HANDLE, SST	1	EA	
31	006808-000	HINGE, BRACKET, LH	1	EA	
32	PE010030	LOGO	1	EA	
32	PE010068	LOGO 6" (VGRC) BK/BR	1	EA	
33	PD030006	CAPPED WASHER PAL NUT	2	EA	
NI	006227-000	DOOR, ASM - SS	1	EA	
NI	013357-002	DOOR, ASM - BK	1	EA	Not available online / Call for pricing and availability
NI	013357-003	DOOR, ASM - BT	1	EA	
NI	013357-004	DOOR, ASM - SG	1	EA	
NI	013357-005	DOOR, ASM - GG	1	EA	
NI	013357-006	DOOR, ASM - WH	1	EA	
NI	013357-008	DOOR, ASM - BU	1	EA	
NI	013357-009	DOOR, ASM - LE	1	EA	
NI	013357-010	DOOR, ASM - MJ	1	EA	Not available online / Call for pricing and availability
NI	013357-011	DOOR, ASM - FG	1	EA	
NI	013357-012	DOOR, ASM - VB	1	EA	

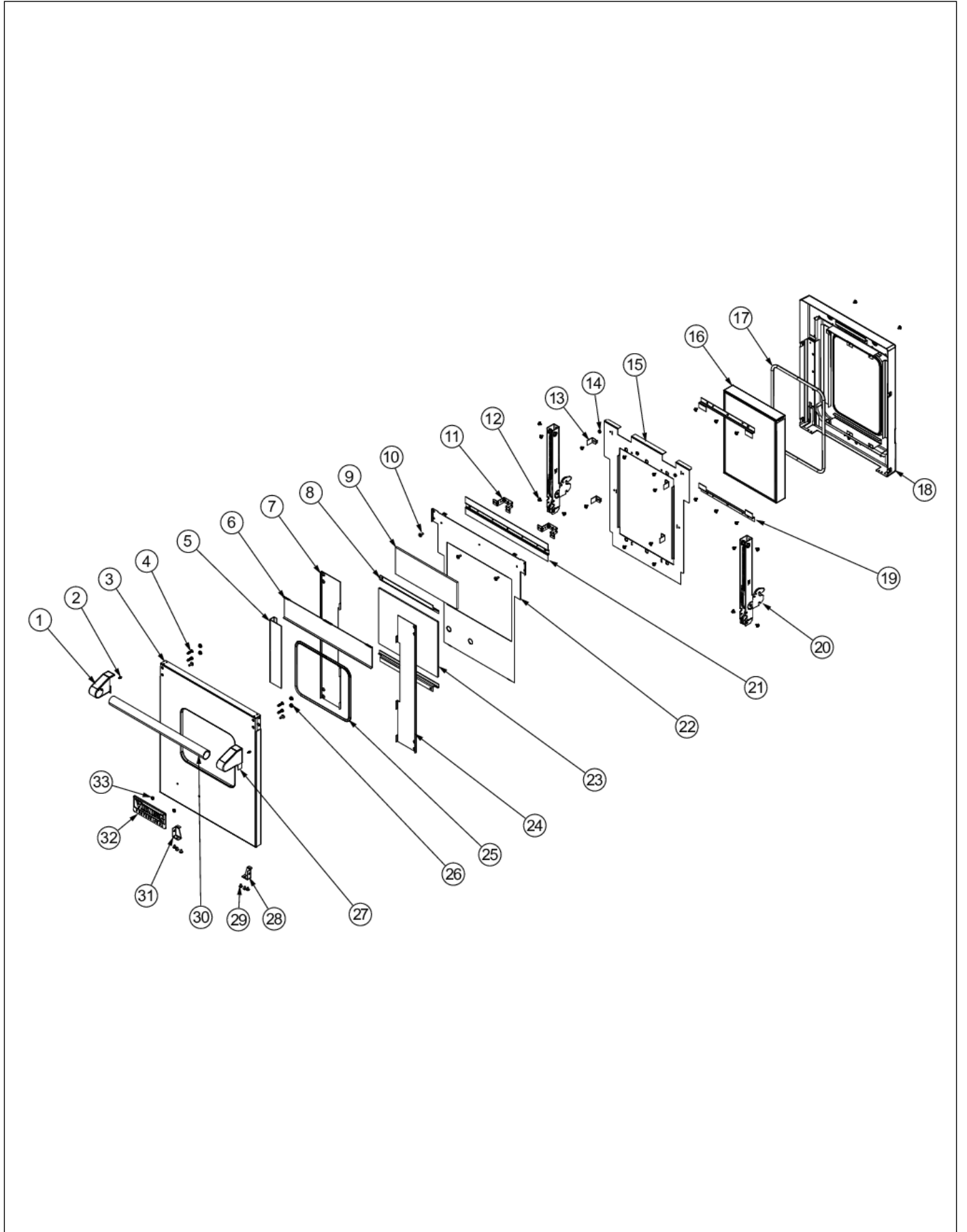




Item	Part No.	Name	Qty	Uom	NOTES
NI	013357-015	DOOR, ASM - PL	1	EA	
NI	013357-016	DOOR, ASM - CH	1	EA	
NI	013357-017	DOOR, ASM - TP	1	EA	
NI	013357-018	DOOR, ASM - CW NLA	1	EA	
NI	013357-019	DOOR, ASM - OG	1	EA	
NI	013357-020	DOOR, ASM - GM	1	EA	
NI	013357-021	DOOR, ASM - SA	1	EA	
NI	013357-022	DOOR, ASM - SE	1	EA	
NI	013357-023	DOOR, ASM - IB	1	EA	
NI	013357-024	DOOR, ASM - AR	1	EA	
NI	013357-025	DOOR, ASM - RR	1	EA	
NI	013357-026	DOOR, ASM - PM	1	EA	
NI	013357-027	DOOR, ASM - MS	1	EA	
NI	006227-100	DOOR, ASM - BR, SS	1	EA	
NI	013357-102	DOOR, ASM - BR, BK	1	EA	
NI	013357-103	DOOR, ASM - BR, BT	1	EA	
NI	013357-104	DOOR, ASM - BR, SG	1	EA	
NI	013357-105	DOOR, ASM - BR, GG	1	EA	
NI	013357-106	DOOR, ASM - BR, WH	1	EA	
NI	013357-108	DOOR, ASM - BR, BU	1	EA	
NI	013357-109	DOOR, ASM - BR, LE	1	EA	
NI	013357-110	DOOR, ASM - BR, MJ	1	EA	Not available online / Call for pricing and availability
NI	013357-112	DOOR, ASM - BR, VB	1	EA	
NI	013357-113	DOOR, ASM - BR, CB	1	EA	
NI	013357-115	DOOR, ASM - BR, PL	1	EA	
NI	013357-116	DOOR, ASM - BR, CH	1	EA	
NI	013357-117	DOOR, ASM - BR, TP	1	EA	
NI	013357-118	DOOR, ASM - BR, CW	1	EA	
NI	013357-119	DOOR, ASM - BR, OG	1	EA	
NI	013357-120	DOOR, ASM - BR, GM	1	EA	
NI	013357-121	DOOR, ASM - BR, SA	1	EA	

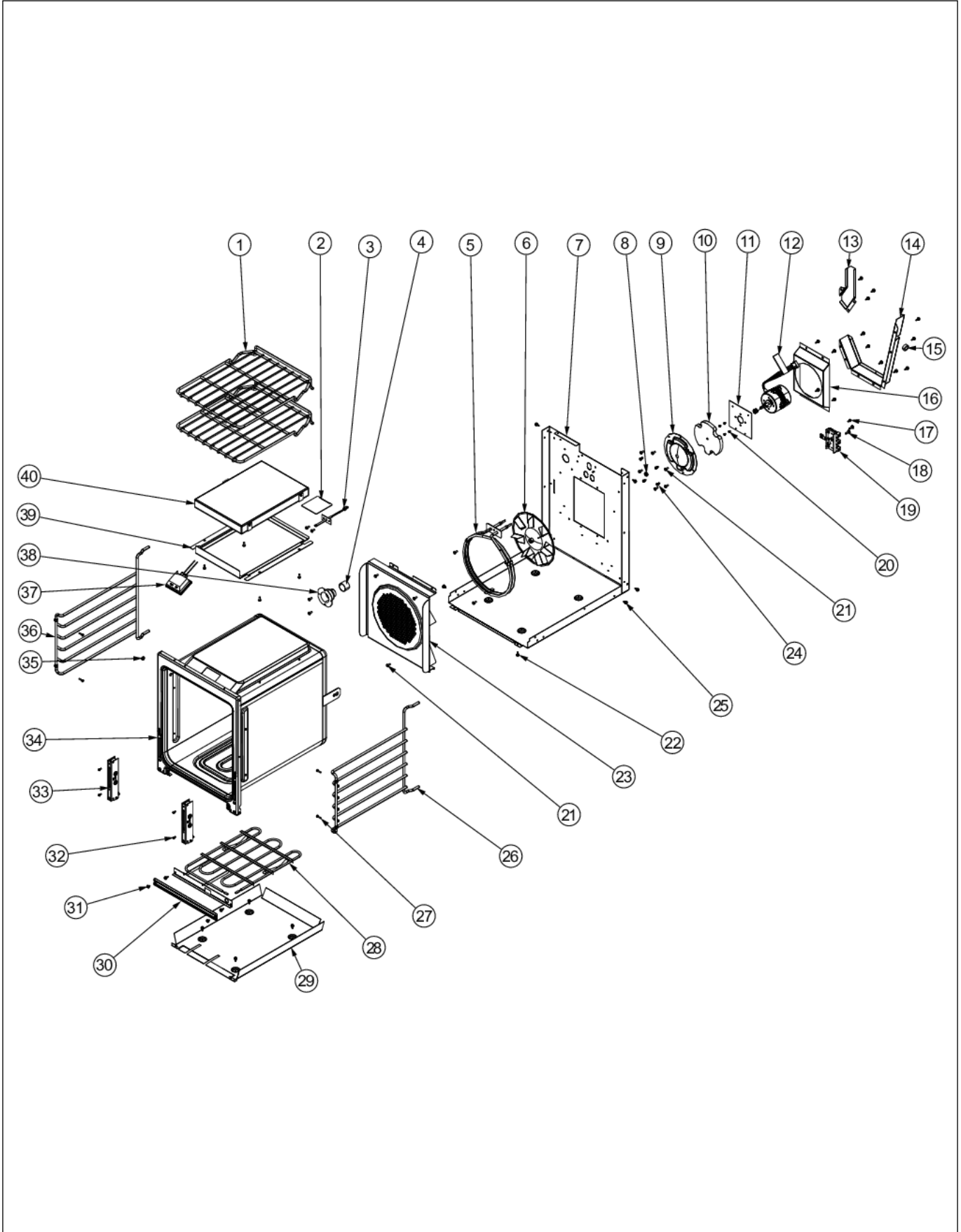


Item	Part No.	Name	Qty	Uom	NOTES
NI	013357-122	DOOR, ASM - BR, SE	1	EA	
NI	013357-123	DOOR, ASM - BR, IB	1	EA	
NI	013357-124	DOOR, ASM - BR, AR	1	EA	
NI	013357-125	DOOR, ASM - BR, RR	1	EA	
NI	013357-126	DOOR, ASM - BR, PM	1	EA	
NI	013357-127	DOOR, ASM - BR, MS	1	EA	
NI	006226-000	SKIN, DOOR, ASM - SS	1	EA	
NI	013358-002	DOOR, SKIN, ASM - BK	1	EA	
NI	013358-003	DOOR, SKIN, ASM - BT	1	EA	
NI	013358-004	DOOR, SKIN, ASM - SG	1	EA	
NI	013358-005	DOOR, SKIN, ASM - GG	1	EA	
NI	013358-006	DOOR, SKIN, ASM - WH	1	EA	
NI	013358-008	DOOR, SKIN, ASM - BU	1	EA	
NI	013358-009	DOOR, SKIN, ASM - LE	1	EA	
NI	013358-010	DOOR, SKIN, ASM - MJ	1	EA	
NI	013358-012	DOOR, SKIN, ASM - VB	1	EA	
NI	013358-013	DOOR, SKIN, ASM - CB	1	EA	
NI	013358-015	DOOR, SKIN, ASM - PL	1	EA	
NI	013358-016	DOOR, SKIN, ASM - CH	1	EA	
NI	013358-017	DOOR, SKIN, ASM - TP	1	EA	
NI	013358-018	DOOR, SKIN, ASM - CW NLA	1	EA	
NI	013358-019	DOOR, SKIN, ASM - OG	1	EA	
NI	013358-020	DOOR, SKIN, ASM - GM	1	EA	
NI	013358-021	DOOR, SKIN, ASM - SA	1	EA	
NI	013358-022	DOOR, SKIN, ASM - SE	1	EA	
NI	013358-023	DOOR, SKIN, ASM - IB	1	EA	
NI	013358-024	DOOR, SKIN, ASM - AR	1	EA	
NI	013358-025	DOOR, SKIN, ASM - RR	1	EA	
NI	013358-026	DOOR, SKIN, ASM - PM	1	EA	
NI	013358-027	DOOR, SKIN, ASM - MS	1	EA	
NI	006226-100	SKIN, DOOR, ASM - BR, SS	1	EA	Not available online / Call for pricing and availability

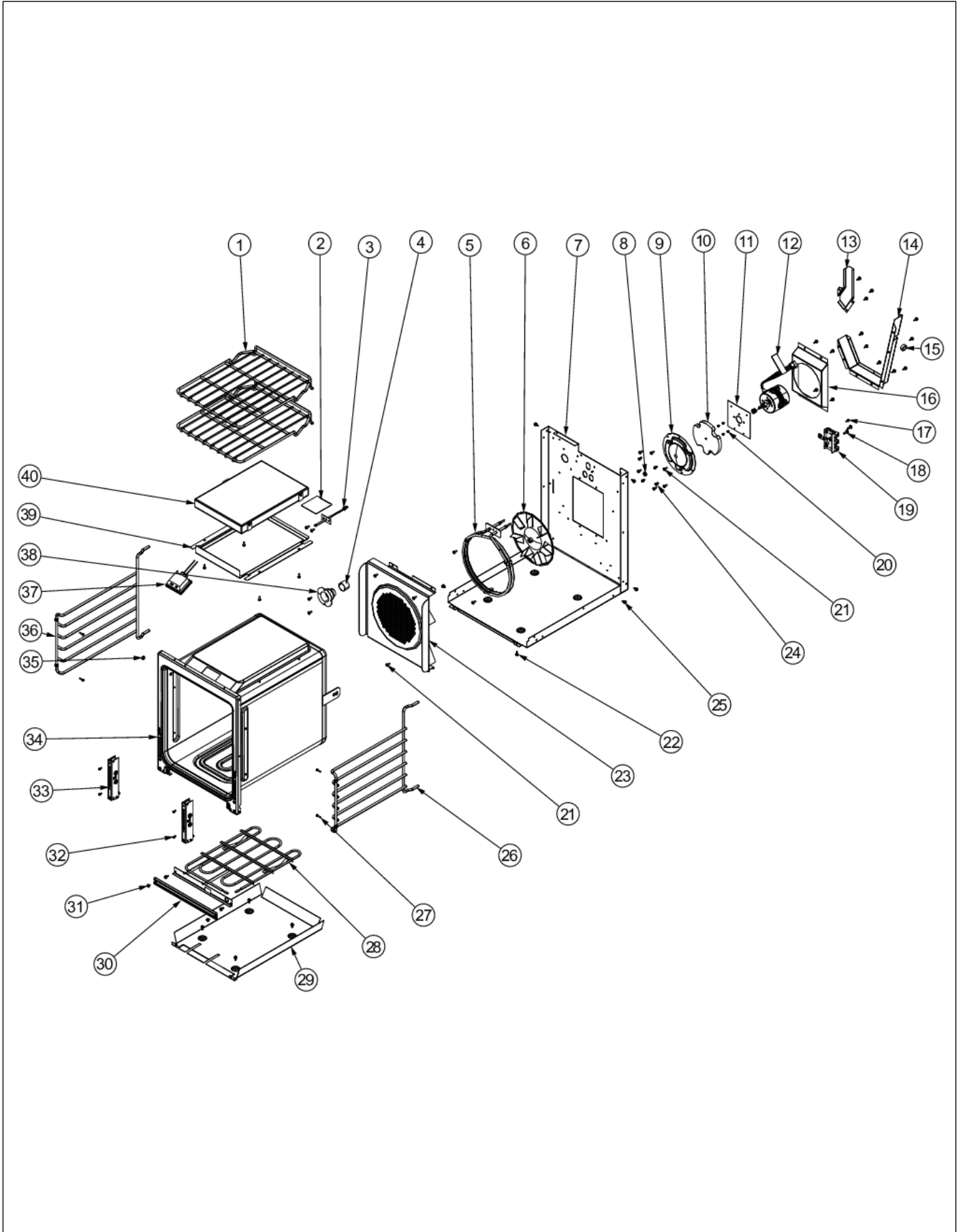


Item	Part No.	Name	Qty	Uom	NOTES
NI	013358-102	DOOR, SKIN, ASM - BR, BK	1	EA	
NI	013358-103	DOOR, SKIN, ASM - BR, BT	1	EA	
NI	013358-104	DOOR, SKIN, ASM - BR, SG	1	EA	
NI	013358-105	DOOR, SKIN, ASM - BR, GG	1	EA	
NI	013358-106	DOOR, SKIN, ASM - BR, WH	1	EA	
NI	013358-108	DOOR, SKIN, ASM - BR, BU	1	EA	
NI	013358-109	DOOR, SKIN, ASM - BR, LE	1	EA	
NI	013358-110	DOOR, SKIN, ASM - BR, MJ	1	EA	
NI	013358-112	DOOR, SKIN, ASM - BR, VB	1	EA	
NI	013358-113	DOOR, SKIN, ASM - BR, CB	1	EA	
NI	013358-115	DOOR, SKIN, ASM - BR, PL	1	EA	
NI	013358-116	DOOR, SKIN, ASM - BR, CH	1	EA	
NI	013358-117	DOOR, SKIN, ASM - BR, TP	1	EA	
NI	013358-118	DOOR, SKIN, ASM - BR, CW	1	EA	
NI	013358-119	DOOR, SKIN, ASM - BR, OG	1	EA	
NI	013358-120	DOOR, SKIN, ASM - BR, GM	1	EA	
NI	013358-121	DOOR, SKIN, ASM - BR, SA	1	EA	
NI	013358-122	DOOR, SKIN, ASM - BR, SE	1	EA	
NI	013358-123	DOOR, SKIN, ASM - BR, IB	1	EA	
NI	013358-124	DOOR, SKIN, ASM - BR, AR	1	EA	
NI	013358-125	DOOR, SKIN, ASM - BR, RR	1	EA	
NI	013358-126	DOOR, SKIN, ASM - BR, PM	1	EA	
NI	013358-127	DOOR, SKIN, ASM - BR, MS	1	EA	

LH OVEN CAVITY



Item	Part No.	Name	Qty	Uom	NOTES
1	006379-000	OVEN, RACK, ASM, STANDARD, VDSC18	2	EA	
2	006203-000	SHIELD, RTD, VDSC18"	1	EA	
3	PE050206	RTD THERMOSTAT PROBE	1	EA	
4	PB020275	VENT TUBE	1	EA	
5	PJ010047	CONVECTION ELEMENT	1	EA	
6	PE050227	CONVECTION FAN BLADE ASSY	1	EA	
7	006160-000	OVEN, BACK, BOT, FLAT, VDSC18"	1	EA	
8	PD030149	5/16 NUT	1	EA	
9	023116-000	PLATE, MOUNTING, CONVECTION MOTOR	1	EA	
10	013550-000	CONV MOTOR MTG PLATE INSULATION	1	EA	
11	007248-000	BAFFLE, FAN, REAR, VDSC18"	1	EA	
12	005458-000	FAN, MOTOR, CONVECTION, VDSC18" OVEN	1	EA	
13	007441-000	EXHAUST, DUCT, REAR, VDSC18"	1	EA	
14	007248-000	BAFFLE, FAN, REAR, VDSC18"	1	EA	
15	PD040005	SNAP BUSHING - 7/8"	1	EA	
16	A2009697	BRACKET, CONVECTION INSULATION	1	EA	
17	PD020010	10 X 3/8 GREEN GROUNDING SCREW	1	EA	
18	PD020014	10X3/4 PH TR HD SMS	2	EA	
19	PE070147	TERMINAL BLOCK (VDSC)	1	EA	
20	PD010028	BOLT M4X5	4	EA	
21	PD020048	NO.10 X 1/2 TEK 410 SS SCREW	19	EA	
22	003860-000	10-18 x .500 FASTNR,SCR,HXWH,STL,ZPLT	24	EA	
23	006176-000	BAFFLE, CNVN, ASM, VDSC 18"	1	EA	
24	PD020055	' #10 X 1/2" PAN PHIL. TEK.*SS*	4	EA	
25	014143-000	SCR 10-12 A SHLD TRP 1/2 S ZN BLUE	2	EA	
26	066478-402	SUPPORT, RACK, RHS, PORCELAIN	1	EA	

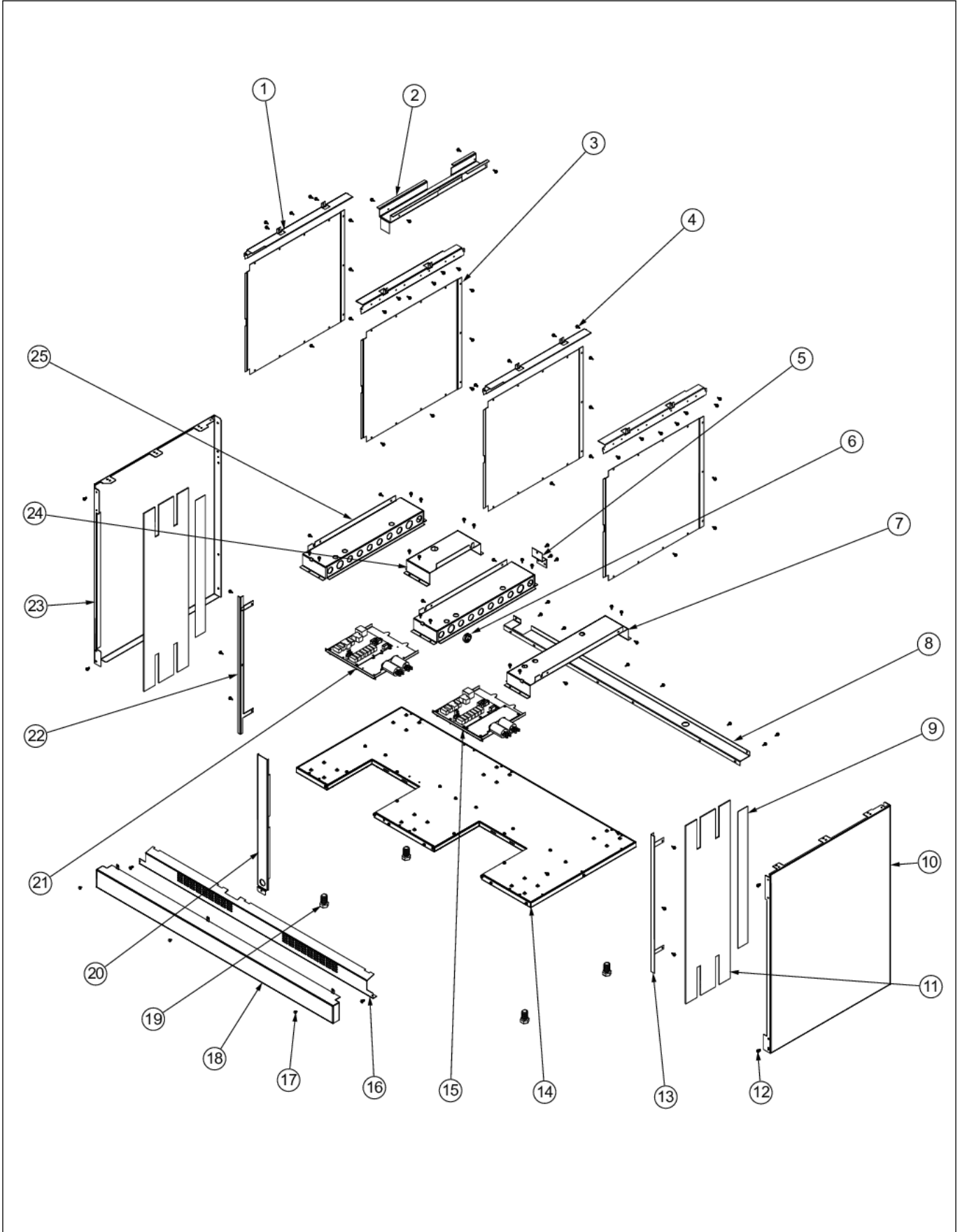




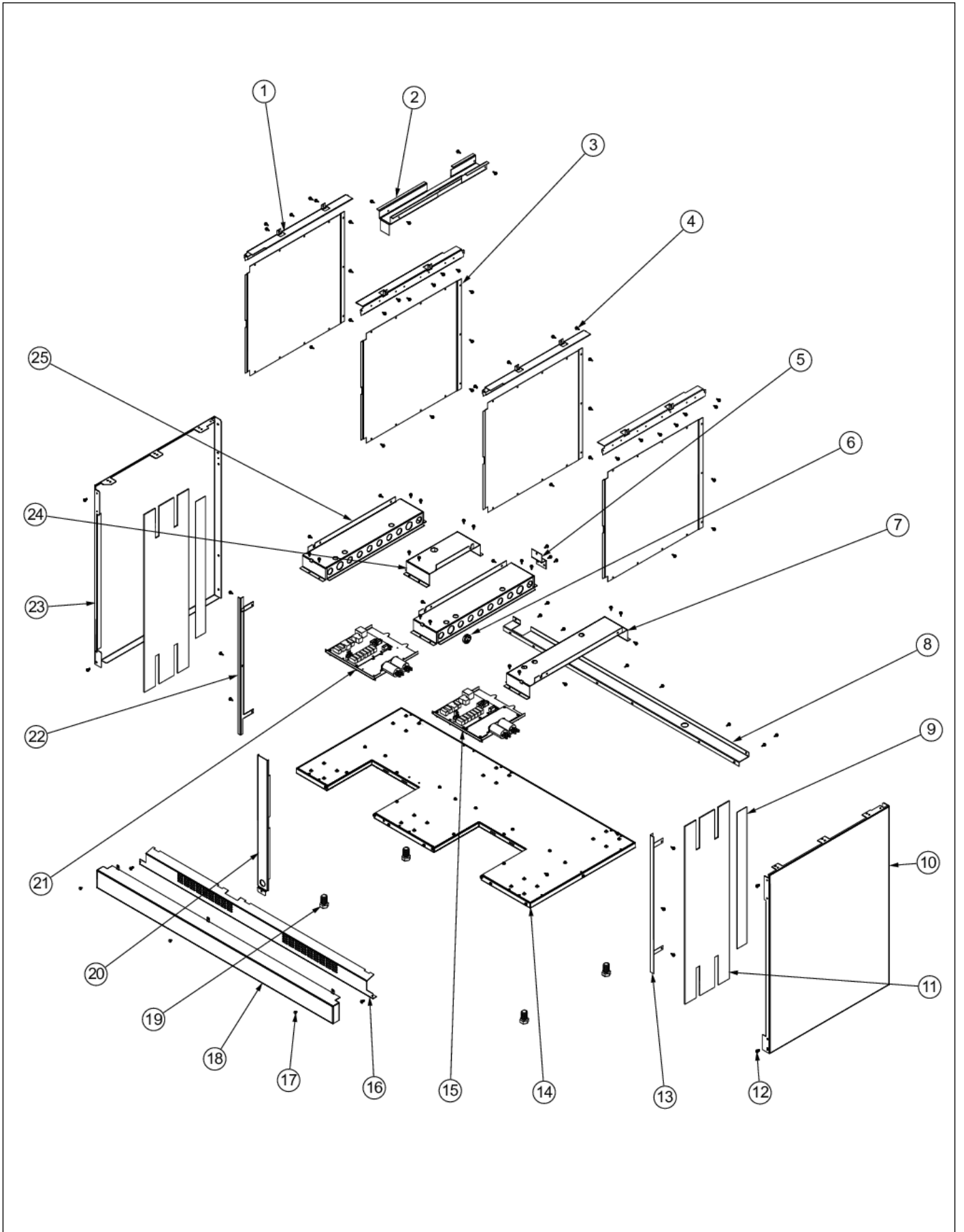


Item	Part No.	Name	Qty	Uom	NOTES
27	PD020232	#8 X 3/4" PH PAN HEAD TEK SCREW (BLACK OXIDE)	4	EA	
28	006166-000	ELEMENT, BAKE, VDSC18"	1	EA	
29	006163-000	ELEMENT, MTG, FLAT, TRAY, VDSC18"	1	EA	
30	003490-000	COVER, BAKE, 18"	1	EA	
31	PD020063	SCREW-#8(A) X 3/8" PH WFR HD/BK OXID	2	EA	
32	PD020062	#8-32 X 3/8 PHMS TYPE 1	4	EA	
33	031679-000	RECEPTACLE, HINGE	2	EA	
34	NON-SERVICEABLE	OVEN, CVTY, ASM, VDSC 18"	1	EA	
35	E91014053	PORCELAIN 25/64" HOLE PLUG	1	EA	Not available online / Call for pricing and availability
36	066479-402	SUPPORT, RACK, LHS, PORCELAIN	1	EA	
37	020403-000	LAMP, OVEN, 120V/40W	1	EA	
38	PM010014	SMOKE ELIMINATOR (VDSC)	1	EA	
39	006748-000	BRACKET, SST, 201HP, MILL, VD SC18", GLASS BROILER	1	EA	
40	006380-000	ELEMENT, GLASS, BROILER, 18"	1	EA	
NI	007278-000	ARM HINGE CLIP	2	EA	
Not Shown	NOTE	(BEFORE 01/02/13)		EA	
NI	049718-402	CLIP, RETAINER, HINGE, GLOSS BLACK ENAMEL	2	EA	
Not Shown	NOTE	(AFTER 01/02/13)		EA	

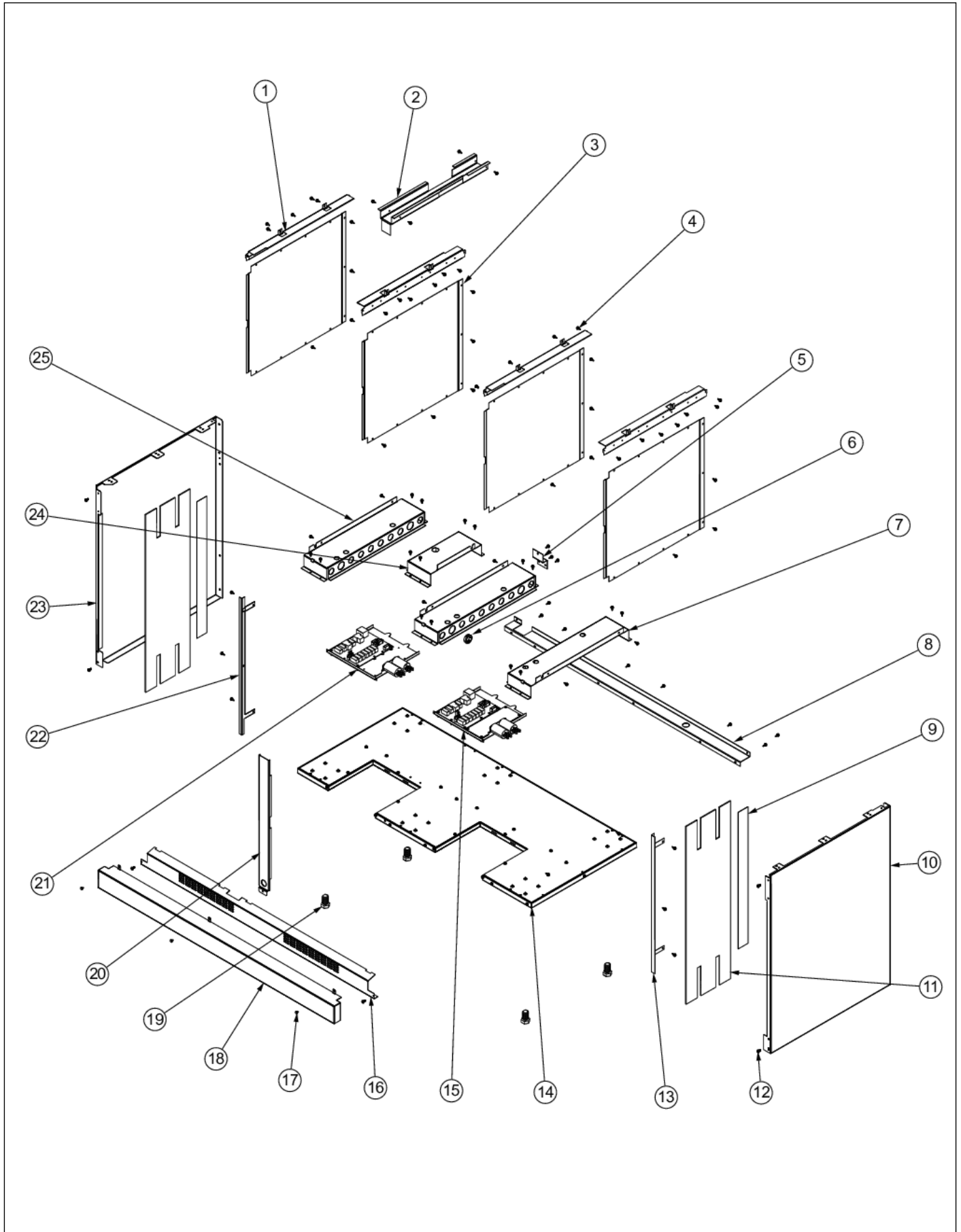
LOWER UNIT AND SIDE PANEL



Item	Part No.	Name	Qty	Uom	NOTES
1	A2009641	BRKT, TOP WRAPPER	3	EA	
2	006749-000	CONNECTOR, BRKT, CTR, VDSC548	1	EA	
3	014137-000	WRAPPER, OVEN SIDE	4	EA	
4	003860-000	10-18 x .500 FASTNR, SCR, HXWH, STL, ZPLT	80	EA	
5	013787-000	BRACKET, MTG, REAR, OVEN CAVITY	1	EA	
6	PD040152	SNAP BUSHING	1	EA	
7	NON-SERVICEABLE	OVEN MODULE SUPPORT CHANNEL, RH	1	EA	
8	006158-000	RANGE BASE, BACK, VDSC 48"	1	EA	
9	M0275166	TAPE-ALUM SL	2	EA	
10	002905-000	SIDE PANEL, RH	1	EA	
10	005503-002	SIDE PANEL, RH ASSY, PAINTED BK	1	EA	
10	005503-003	SIDE PANEL, RH ASSY, PAINTED BT	1	EA	
10	005503-004	SIDE PANEL, RH ASSY, PAINTED SG	1	EA	
10	005503-005	SIDE PANEL, RH ASSY, PAINTED GG	1	EA	
10	005503-006	SIDE PANEL, RH ASSY, PAINTED WH	1	EA	
10	005503-008	SIDE PANEL, RH ASSY, PAINTED BU	1	EA	
10	005503-009	SIDE PANEL, RH ASSY, PAINTED LE	1	EA	
10	005503-010	SIDE PANEL, RH ASSY, PAINTED MJ	1	EA	
10	005503-012	SIDE PANEL, RH ASSY, PAINTED VB	1	EA	
10	005503-013	SIDE PANEL, RH ASSY, PAINTED CB	1	EA	
10	005503-015	SIDE PANEL, RH ASSY, PAINTED PL	1	EA	
10	005503-016	SIDE PANEL, RH ASSY, PAINTED CH	1	EA	
10	005503-017	SIDE PANEL, RH ASSY, PAINTED TP	1	EA	
10	005503-018	SIDE PANEL, RH ASSY, PAINTED CW	1	EA	

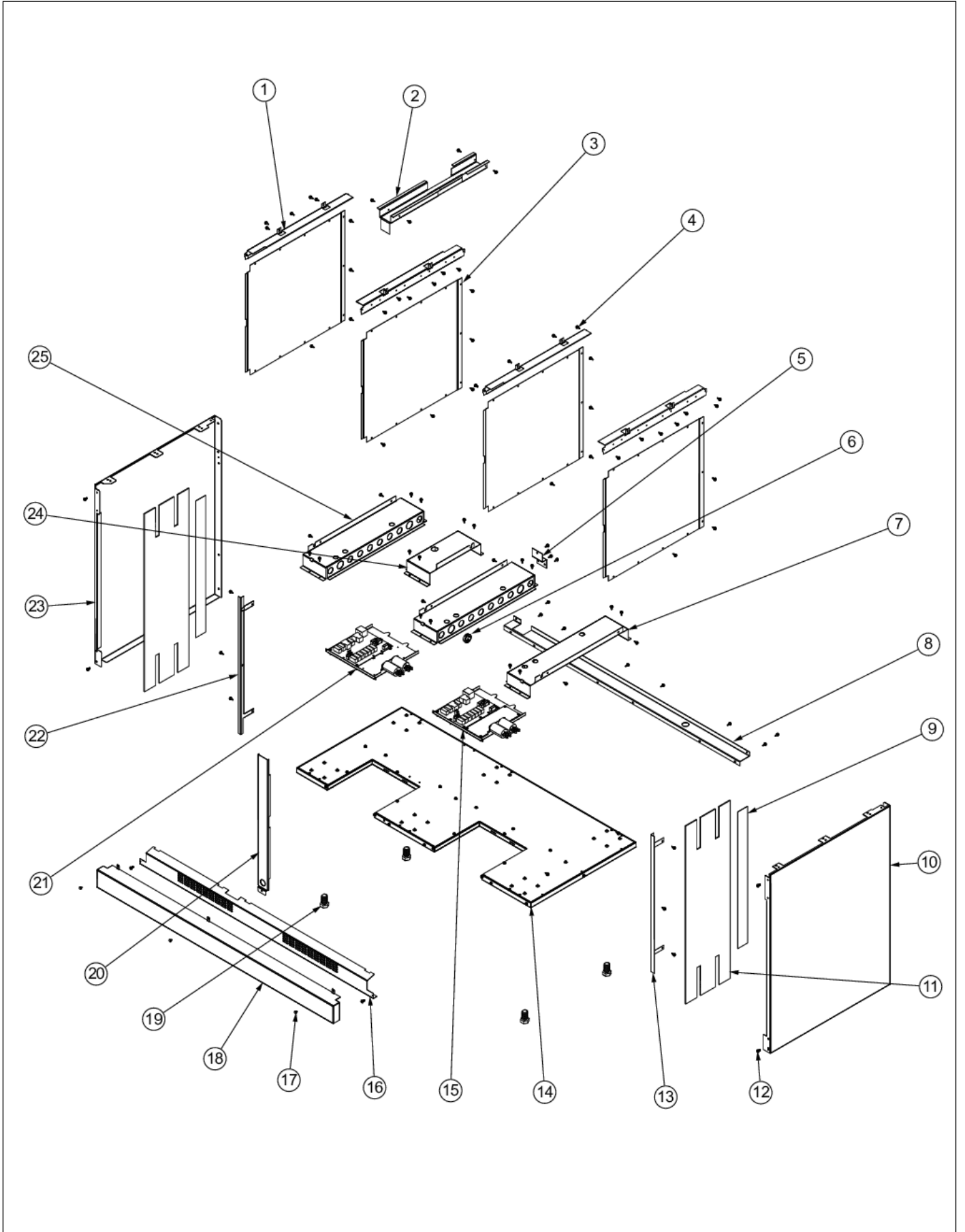


Item	Part No.	Name	Qty	Uom	NOTES
10	005503-019	SIDE PANEL, RH ASSY, PAINTED OG	1	EA	
10	005503-020	SIDE PANEL, RH ASSY, PAINTED GM	1	EA	
10	005503-021	SIDE PANEL, RH ASSY, PAINTED SA	1	EA	
10	005503-022	SIDE PANEL, RH ASSY, PAINTED SE	1	EA	
10	005503-023	SIDE PANEL, RH ASSY, PAINTED IB	1	EA	
10	005503-024	SIDE PANEL, RH ASSY, PAINTED AR	1	EA	
10	005503-025	SIDE PANEL, RH ASSY, PAINTED RR	1	EA	
10	005503-026	SIDE PANEL, RH ASSY, PAINTED PM	1	EA	
10	005503-027	SIDE PANEL, RH ASSY, PAINTED MS	1	EA	
11	007488-000	SINK, REAR, SIDE	2	EA	
12	003801-000	SHOULDER SCREW, #10	7	EA	
13	003644-000	TRIM,FRONT,SIDE,STAINLESS	1	EA	
14	NON-SERVICEABLE	RANGE, BASE, ASM, VDSC548	1	EA	
15	023003-000	PLATE, CNTRL BOARD, ASM, LPS2	1	EA	
15	046142-556	CONTROL, EOC4, LED, V39/V51 & FAMILY	1	EA	
16	051834-000	GRILL, ACS, LWR, 48"	1	EA	
17	PD020032	SRW-8(A)X3/8"PH.WFR HD 7/16DIA*NICL	3	EA	
18	006300-000	KICKPLATE,RNG,SST,VDSC548	1	EA	
18	038434-002	KICKPLATE, RNG, VDSC48" BK	1	EA	
18	038434-003	KICKPLATE, RNG, VDSC48" BT	1	EA	Not available online / Call for pricing and availability
18	038434-004	KICKPLATE, RNG, VDSC48" SG	1	EA	Not available online / Call for pricing and availability
18	038434-005	KICKPLATE, RNG, VDSC48" GG	1	EA	





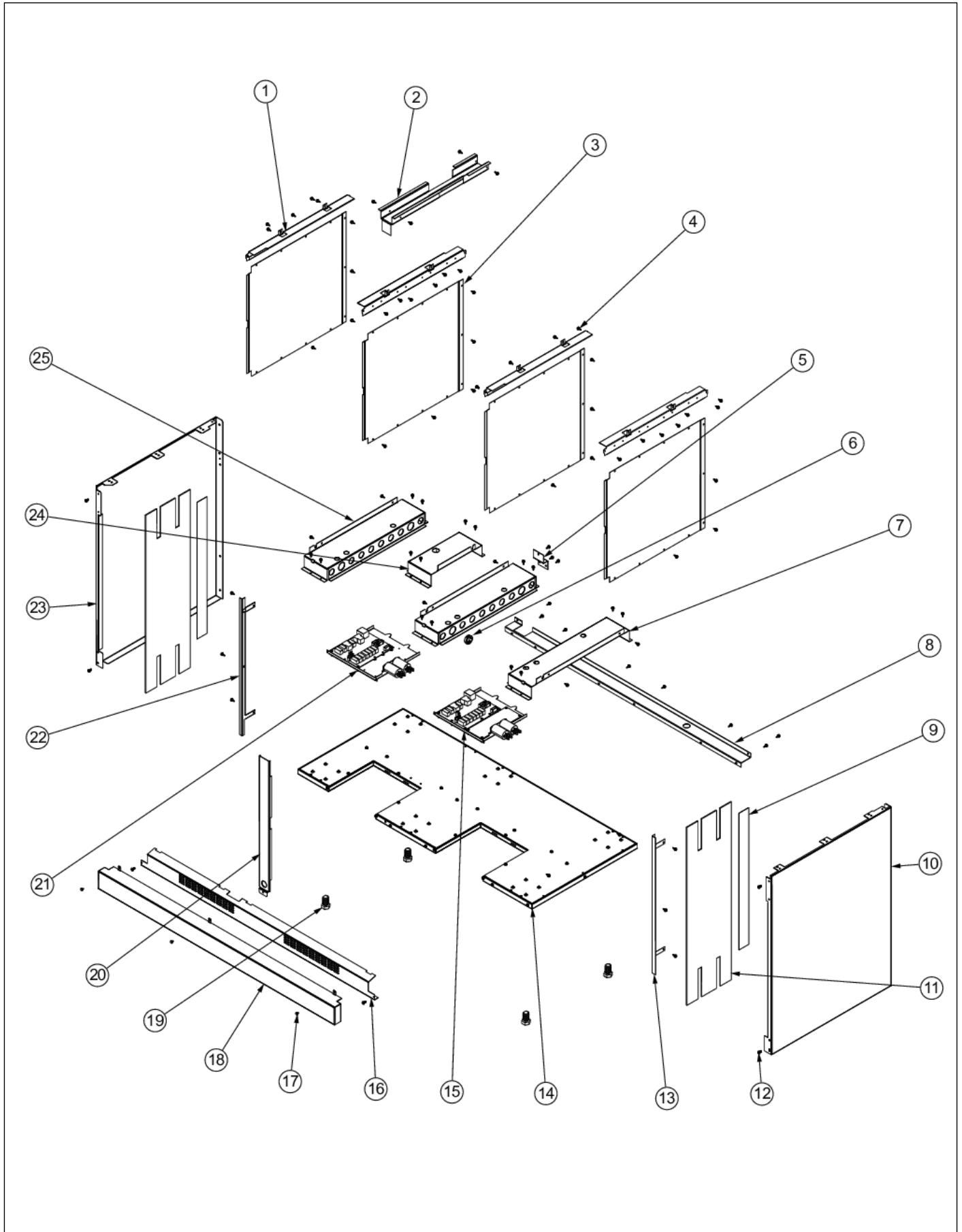
Item	Part No.	Name	Qty	Uom	NOTES
18	038434-006	KICKPLATE, RNG, VDSC48" WH	1	EA	Not available online / Call for pricing and availability
18	038434-008	KICKPLATE, RNG, VDSC48" BU	1	EA	
18	038434-009	KICKPLATE, RNG, VDSC48" LE	1	EA	Not available online / Call for pricing and availability
18	038434-010	KICKPLATE, RNG, VDSC48" MJ	1	EA	Not available online / Call for pricing and availability
18	038434-012	KICKPLATE, RNG, VDSC48" VB	1	EA	Not available online / Call for pricing and availability
18	038434-013	KICKPLATE, RNG, VDSC48" CB	1	EA	
18	038434-015	KICKPLATE, RNG, VDSC48" PL	1	EA	Not available online / Call for pricing and availability
18	038434-016	KICKPLATE, RNG, VDSC48" CH	1	EA	Not available online / Call for pricing and availability
18	038434-017	KICKPLATE, RNG, VDSC48" TP	1	EA	Not available online / Call for pricing and availability
18	038434-018	KICKPLATE, RNG, VDSC48" CW	1	EA	Not available online / Call for pricing and availability
18	038434-019	KICKPLATE, RNG, VDSC48" OG	1	EA	Not available online / Call for pricing and availability
18	038434-020	KICKPLATE, RNG, VDSC48" GM	1	EA	Not available online / Call for pricing and availability
18	038434-021	KICKPLATE, RNG, VDSC48" SA	1	EA	Not available online / Call for pricing and availability
18	038434-022	KICKPLATE, RNG, VDSC48" SE	1	EA	
18	038434-023	KICKPLATE, RNG, VDSC48" IB	1	EA	
18	038434-024	KICKPLATE, RNG, VDSC48" AR	1	EA	





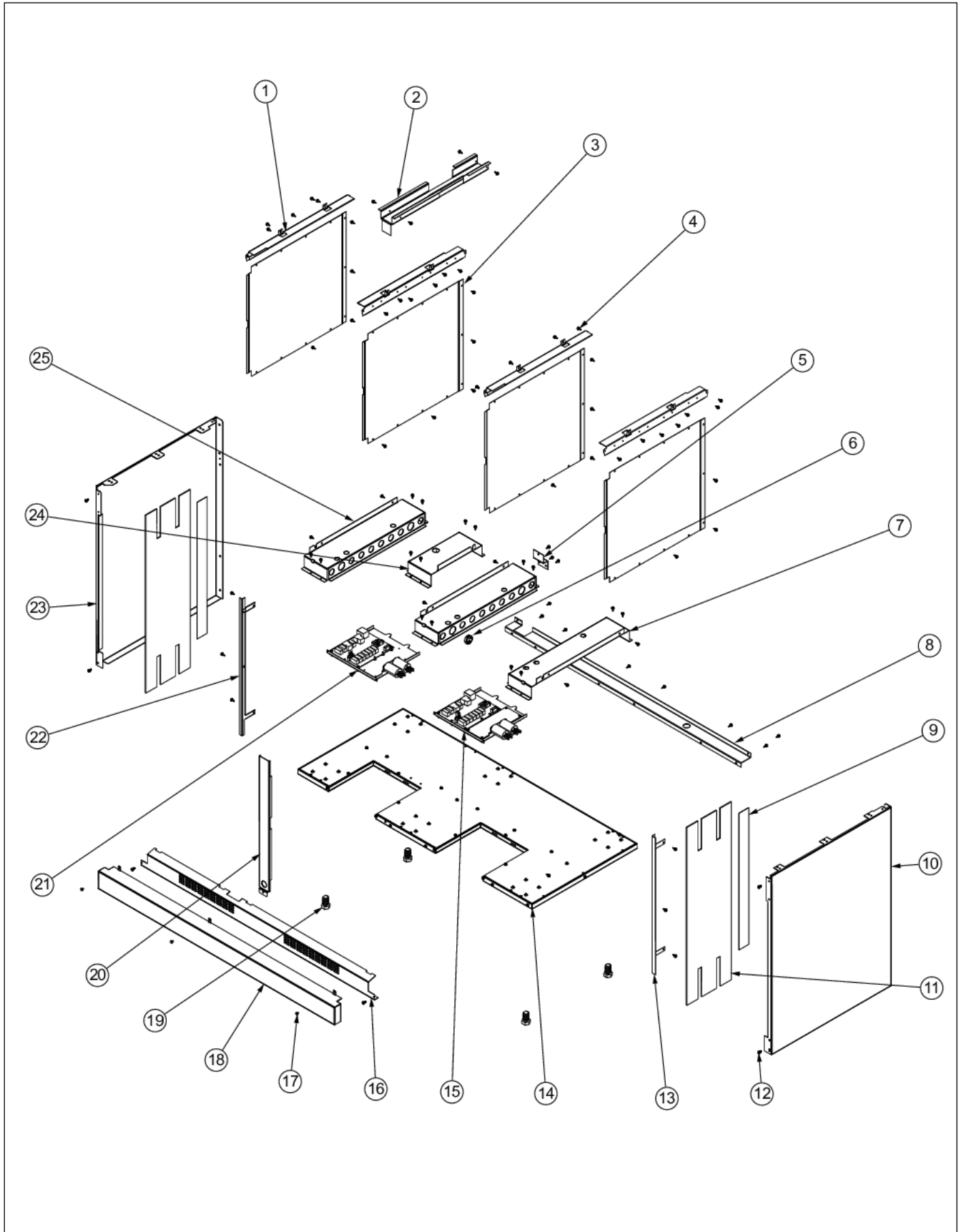


Item	Part No.	Name	Qty	Uom	NOTES
18	038434-025	KICKPLATE, RNG, VDSC48" RR	1	EA	Not available online / Call for pricing and availability
18	038434-026	KICKPLATE, RNG, VDSC48" PM	1	EA	Not available online / Call for pricing and availability
18	038434-027	KICKPLATE, RNG, VDSC48" MS	1	EA	Not available online / Call for pricing and availability
19	PD010022	HEX HD. BOLT - 3/4-10 X 1-1/4"	4	EA	
20	006750-000	RANGE, TRIM, CTR, VDSC548	1	EA	
21	020141-000	PLATE, MTG, ASM, CNRL, BOARD LH OVEN T-MODEL	1	EA	
Not Shown	NOTE	(BEFORE 09/15/14)		EA	
21	051533-000	PLATE, MTG, ASM, CNRL, BOARD LH OVEN	1	EA	
Not Shown	NOTE	(ON OR AFTER 09/15/14)		EA	
NI	046142-556	CONTROL, EOC4, LED, V39/V51 & FAMILY		EA	
22	010956-000	OVEN,TRIM,LH,SST,FLAT,VDS C548	1	EA	
23	006933-000	RANGE,PNL,SIDE,SST,LH, 0.562" FRONT FLANGE	1	EA	
23	013365-002	SIDE PANEL ASM, LH 48" BK	1	EA	Not available online / Call for pricing and availability
23	013365-003	SIDE PANEL ASM, LH 48" BT	1	EA	
23	013365-004	SIDE PANEL ASM, LH 48"-SG	1	EA	Not available online / Call for pricing and availability
23	013365-005	SIDE PANEL ASM, LH 48"-GG	1	EA	Not available online / Call for pricing and availability
23	013365-006	SIDE PANEL ASM, LH 48" WH	1	EA	
23	013365-008	SIDE PANEL ASM, LH 48" BU	1	EA	Not available online / Call for pricing and availability





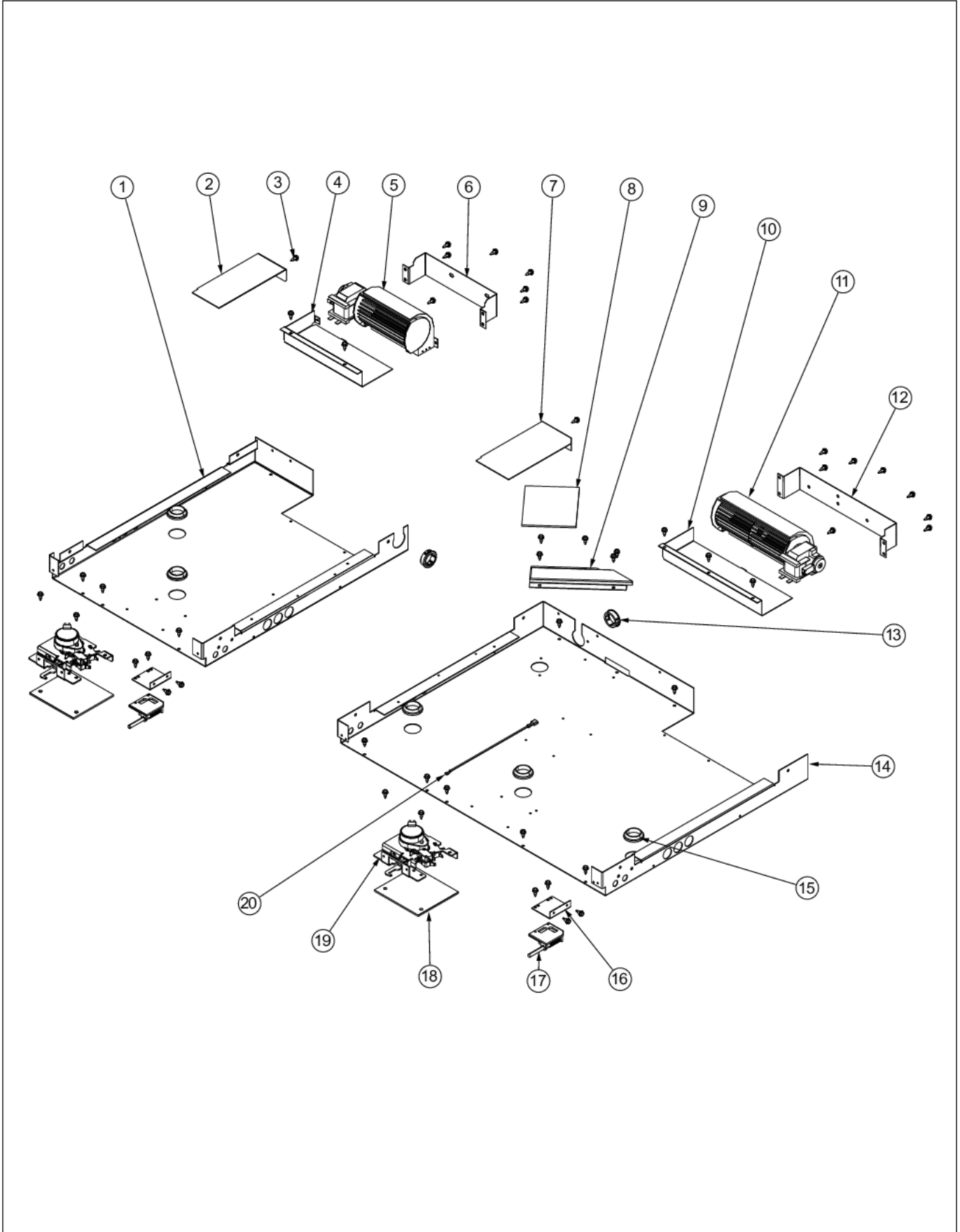
Item	Part No.	Name	Qty	Uom	NOTES
23	013365-009	SIDE PANEL ASM, LH 48"-LE	1	EA	Not available online / Call for pricing and availability
23	013365-010	SIDE PANEL ASM, LH 48"-MJ	1	EA	Not available online / Call for pricing and availability
23	013365-012	SIDE PANEL ASM, LH 48"-VB	1	EA	Not available online / Call for pricing and availability
23	013365-013	SIDE PANEL ASM, LH 48" CB	1	EA	
23	013365-015	SIDE PANEL ASM, LH 48"-PL	1	EA	Not available online / Call for pricing and availability
23	013365-016	SIDE PANEL ASM, LH 48"-CH	1	EA	Not available online / Call for pricing and availability
23	013365-017	SIDE PANEL ASM, LH 48"-TP	1	EA	Not available online / Call for pricing and availability
23	013365-018	SIDE PANEL ASM, LH 48"-CW	1	EA	Not available online / Call for pricing and availability
23	013365-019	SIDE PANEL ASM, LH 48"-OG	1	EA	Not available online / Call for pricing and availability
23	013365-020	SIDE PANEL ASM, LH 48"-GM	1	EA	Not available online / Call for pricing and availability
23	013365-021	SIDE PANEL ASM, LH 48"-SA	1	EA	Not available online / Call for pricing and availability
23	013365-022	SIDE PANEL ASM, LH 48"-SE	1	EA	
23	013365-023	SIDE PANEL ASM, LH 48" IB	1	EA	Not available online / Call for pricing and availability
23	013365-024	SIDE PANEL ASM, LH 48"-AR	1	EA	
23	013365-025	SIDE PANEL ASM, LH 48" RR	1	EA	



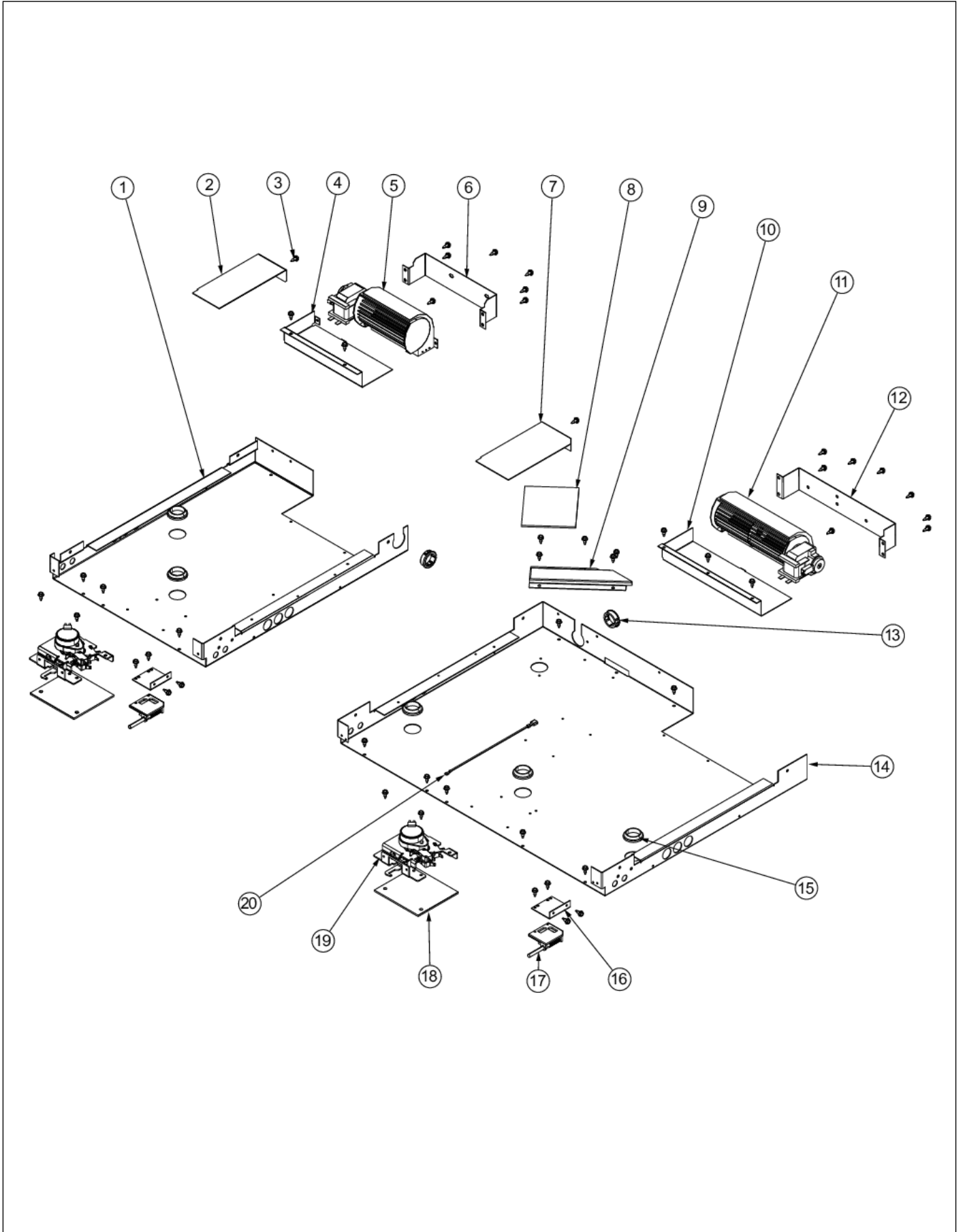


Item	Part No.	Name	Qty	Uom	NOTES
23	013365-026	SIDE PANEL ASM, LH 48"-PM	1	EA	Not available online / Call for pricing and availability
23	013365-027	SIDE PANEL ASM, LH 48"-MS	1	EA	Not available online / Call for pricing and availability
24	NON-SERVICEABLE	SUPPORT,OVEN,BOT,RH,VDSC 548	1	EA	
25	NON-SERVICEABLE	OVEN MODULE SUPPORT CHANNEL, LH	2	EA	
NI	024909-000	SHIELD, WRG	1	EA	
NI	038417-000	EOC4 POWER SUPPLY BOARD, CB	1	EA	

OVEN ELECTRONICS



Item	Part No.	Name	Qty	Uom	NOTES
1	006195-000	OVEN, MDL, TOP, FLAT, VDSC18"	1	EA	
2	007793-000	PLATE, SVCE, FLAT, REGULATOR, VDSC 548	1	EA	
3	003860-000	10-18 x .500 FASTNR, SCR, HXWH, STL, ZPLT	49	EA	
4	007419-000	BRACKET, FAN, MT, BOT, VDSC 18"	1	EA	
5	007794-000	COOLING FAN, VDSC 18"	1	EA	
Not Shown	NOTE	(BEFORE 8/12/2013)		EA	
5	018608-000	FAN, BLO, 220-240V 50/60Hz ASM (MT1712)	1	EA	
Not Shown	NOTE	(ON OR AFTER 8/12/2013)		EA	
6	007420-000	COOLING, FAN, MOUNTING, BRACKET, VDSC18"	1	EA	
7	004016-000	PLATE, SVCE, RGLT	1	EA	
8	004285-000	INSULATION, FOIL-BACKED, 4"x5"	1	EA	
9	003333-000	DUCT, FLUE	1	EA	
10	A2009659	Blower Bracket	1	EA	
11	PE050250	Blower	1	EA	
Comments for Part Num. PE050250  highendappsvc@gmail.com on Jan 28, 2019 If you need to replace cooling fan for the model vgsc5486gss serial date code 031412, do not order this fan, this fan is larger and configured wrong. The correct fan is 007794-000. it is smaller.					
Not Shown	NOTE	BEFORE 8/10/2013		EA	
11	018607-000	FAN, BLO, 220-240V 50/60Hz ASM (MT1664)	1	EA	
Not Shown	NOTE	(ON OR AFTER 8/10/2013)		EA	
12	004110-000	Blower Mount	1	EA	
13	PD040152	SNAP BUSHING	2	EA	
14	002754-000	RANGE TOP BRACE, AIR CHANNEL	1	EA	
15	PB070079	SILICONE EXTRUSION (DGSU)	5	EA	

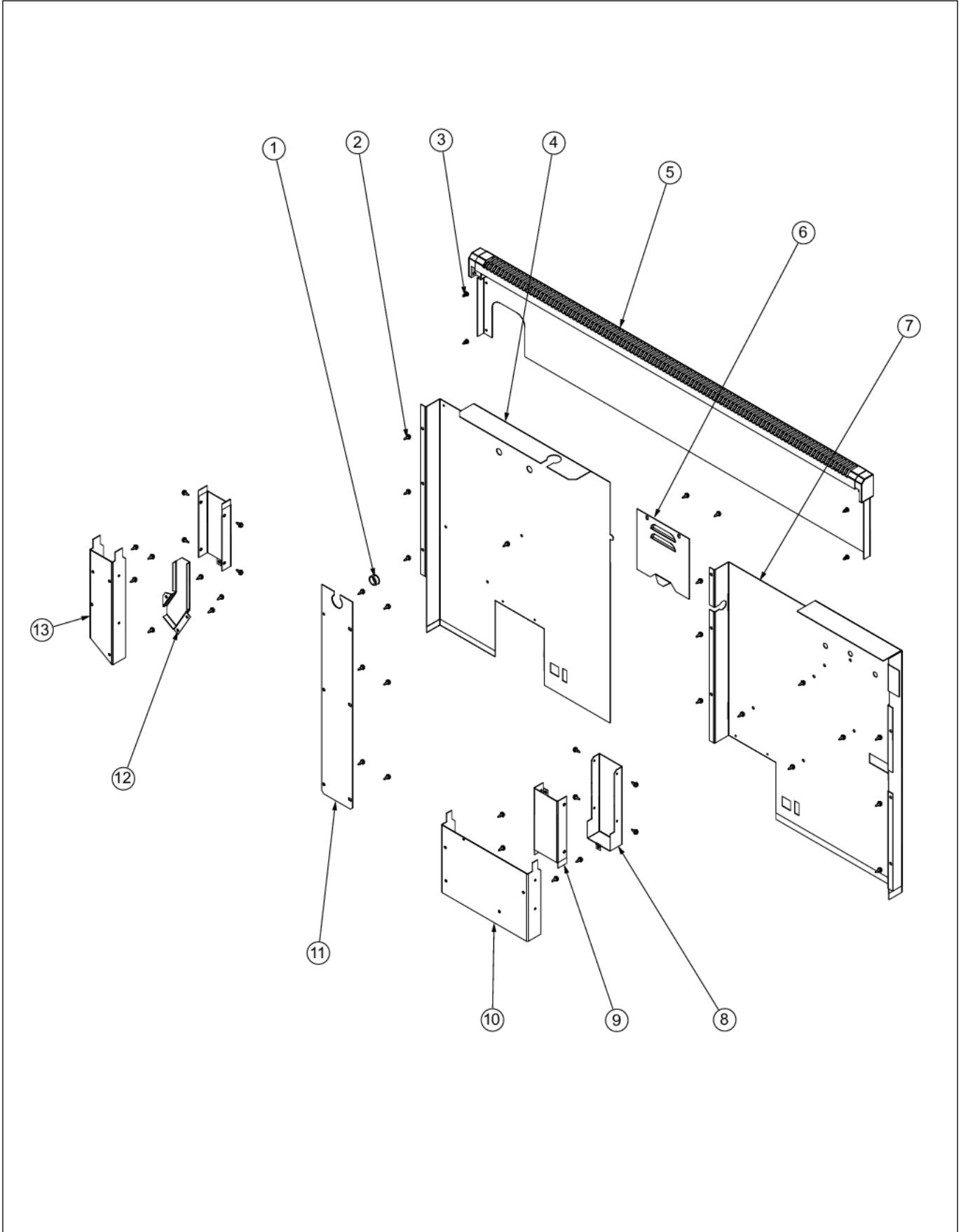






Item	Part No.	Name	Qty	Uom	NOTES
16	A20012649	DOOR SWITCH BRACKET	2	EA	
17	PE050208	DOOR SWITCH	2	EA	
18	NON-SERVICEABLE	LOWER LATCH INSULATION	2	EA	
19	013250-000	LATCH,DOOR,ASM,240V,GRID DLE LOCKOUT	2	EA	
Not Shown	NOTE	(BEFORE 10/31/13)		EA	
19	039293-000	LATCH, ELEC, 240V, ASSY	2	EA	
Not Shown	NOTE	(ON OR AFTER 10/31/13)		EA	
20	G4000936	GROUND WIRE	1	EA	

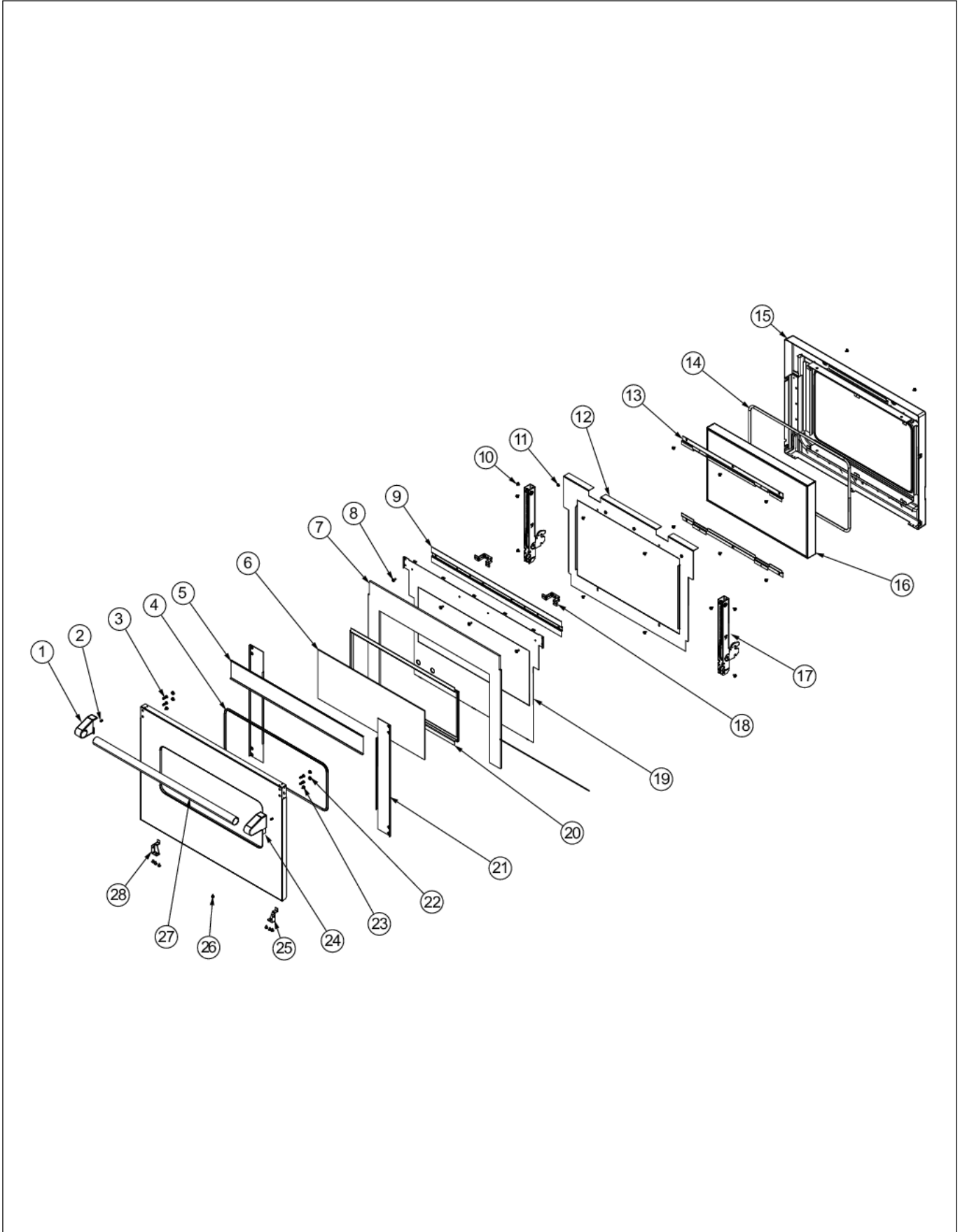
## REAR SHEET METAL



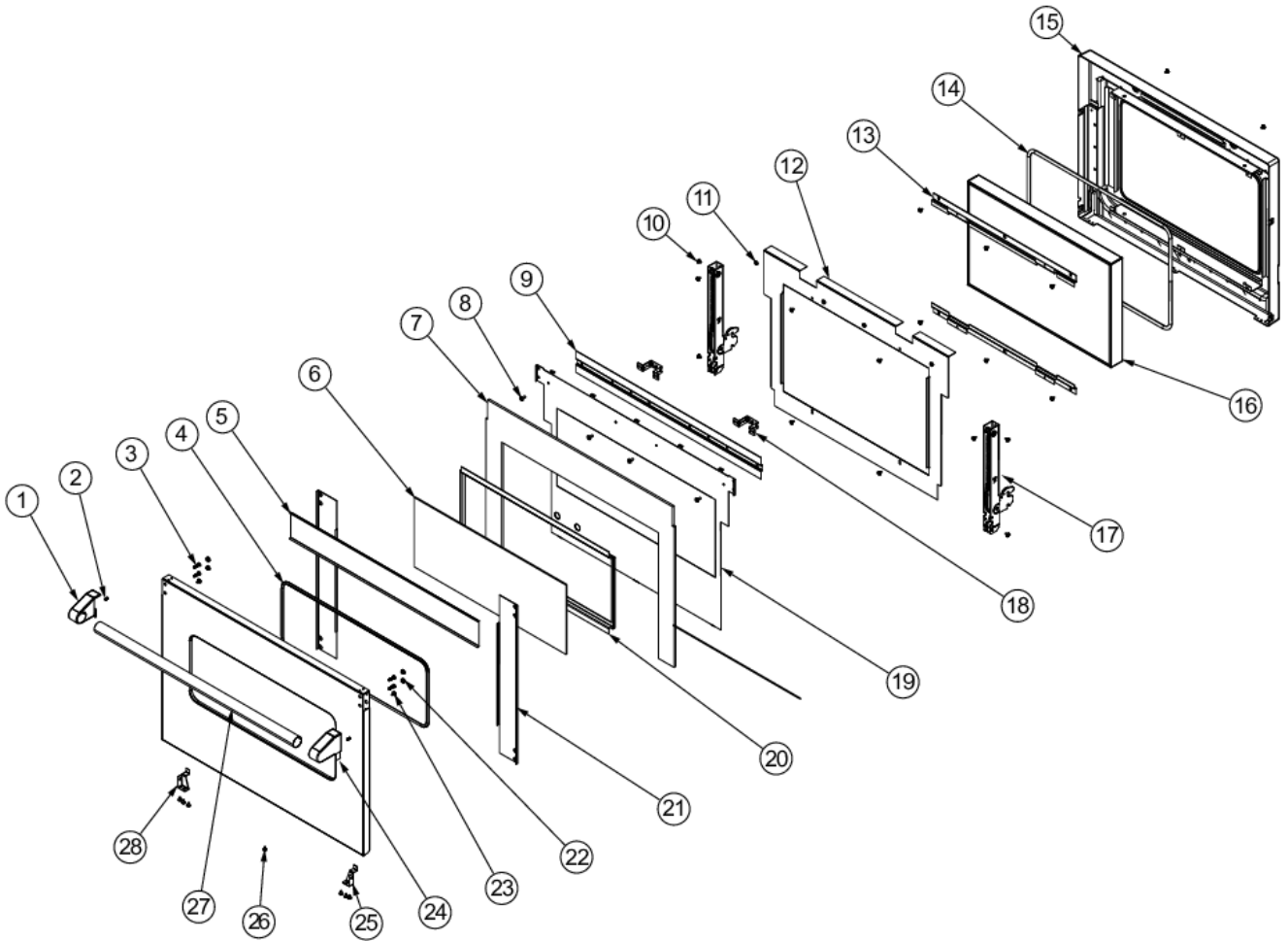


Item	Part No.	Name	Qty	Uom	NOTES
1	PD040005	SNAP BUSHING - 7/8"	1	EA	
2	003860-000	10-18 x .500 FASTNR,SCR,HXWH,STL,ZPLT	40	EA	
3	PD020055	' #10 X 1/2" PAN PHIL. TEK.*SS*	4	EA	
4	007504-000	COVER, BACK, VDSC18"	1	EA	Not available online / Call for pricing and availability
5	041509-000	TRIM, IS, ASSY, 48"	1	EA	
6	A2002454	BACK, COVER ACCESS DOOR	1	EA	
7	003272-000	COVER, BACK- INTERNATIONAL	1	EA	
8	A20010101	FLUE, OUTSIDE SHELL	1	EA	
9	A20010102	FLUE, CENTER EXTENDED	2	EA	
10	003681-000	DUCT, AIR	1	EA	
11	006400-000	PLATE, BACK, CTR, VDSC48"	1	EA	
12	007441-000	EXHAUST, DUCT, REAR, VDSC18"	1	EA	
13	007188-000	DUCT, AIR, REAR, VDSC18"	1	EA	
NI	A2002654	ANTI-TIP DEVICE (VDSC)	1	EA	

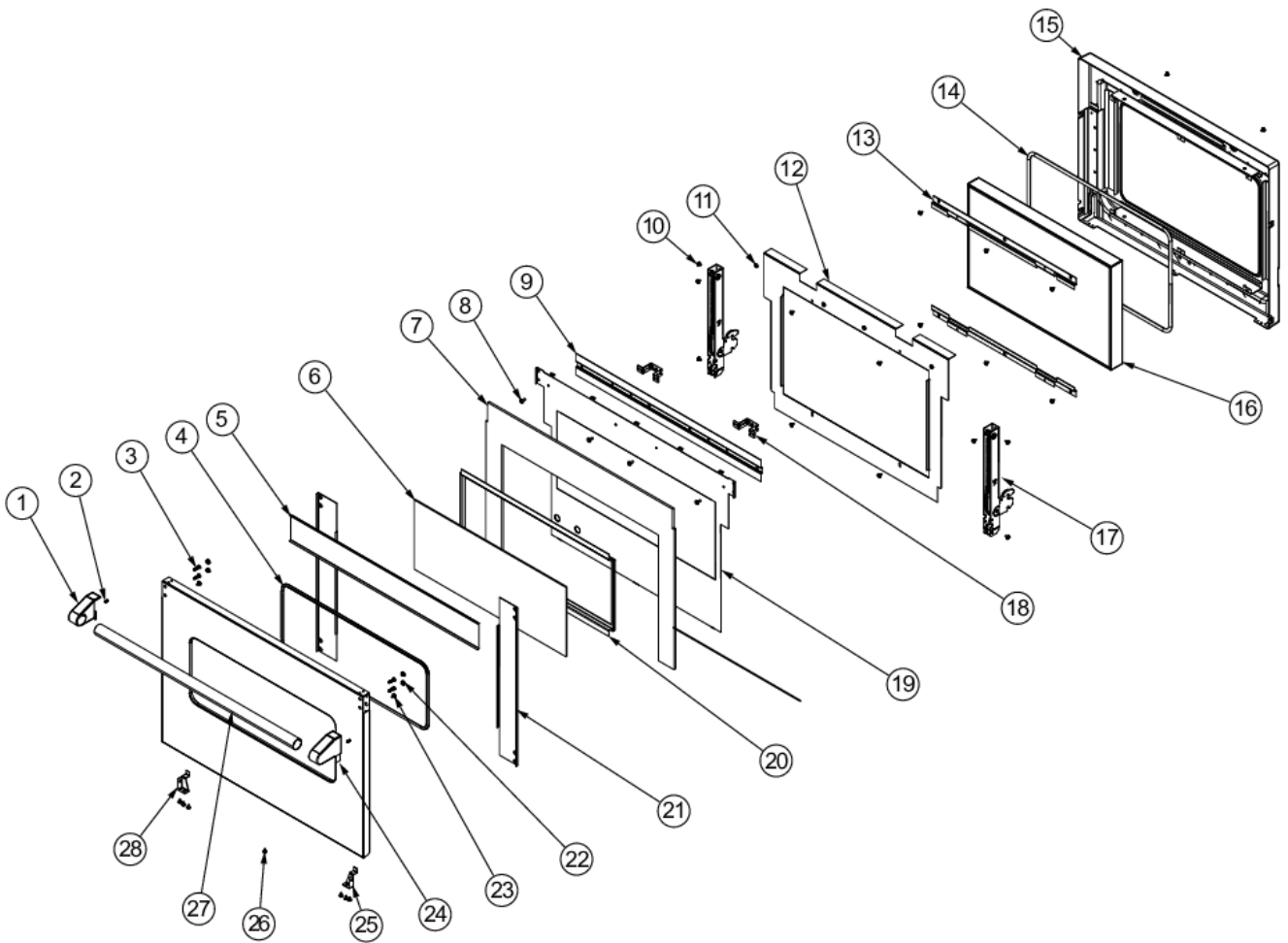
RH DOOR ASSEMBLY



Item	Part No.	Name	Qty	Uom	NOTES
1	003011-000	DOOR HANDLE ENDCAP ASSY, LH (CHROME)	1	EA	
1	003011-100	DOOR HANDLE ENDCAP ASSY, LH (BRASS)	1	EA	
2	003650-000	SET SCREW	2	EA	Not available online / Call for pricing and availability
3	030823-000	#10-32 PAN HEAD PHILLIPS MACHINE SCREW	4	EA	
4	PE060105	30" J-MOLD (CHROME)	1	EA	
5	002724-000	DOOR SKIN HEAT SINK, 30"	1	EA	
6	PE060090	30" PROF. OUTER DOOR GLASS	1	EA	
7	006788-000	INSULATION,DOOR, TOP,SUPE RWOOL,.25,VDSC530	1	EA	
8	PD020033	SRW #10-24 X 1/2" T (23) PH WFR HD (NKL)	4	EA	
9	002732-000	DOOR SKIN MOUNTING BRACKET ASSY	1	EA	
10	PD020063	SCREW-#8(A) X 3/8"PH WFR HD/BK OXID	18	EA	
11	PD030010	#10-24 KEPS NUT ZINC PLATED	4	EA	
12	004152-000	DOOR LINER INSULATION RETAINER, 30	1	EA	
13	004153-000	DOOR GLASS HOLDER BRACKET	2	EA	
14	000594-000	BLACK FIBERGLASS ROPE 3/8	1	EA	
15	015412-000	DOOR LINER SPOTWELD ASM	1	EA	
Not Shown	NOTE	(BEFORE 12/20/12)		EA	
15	015412-402	LINER, DOOR, WLD, ASSY, 30" BLK	1	EA	
Not Shown	NOTE	(ON OR AFTER 12/20/12)		EA	
16	PE060094	30 WINDOW PACK	1	EA	
17	002740-000	DOOR HINGE	2	EA	See TC-0121-SP Service Bulletin
18	A21014003	DOOR LINER MTG. BRKT.	2	EA	
19	002730-000	DOOR SKIN INSULATION RETAINER, BLACK	1	EA	

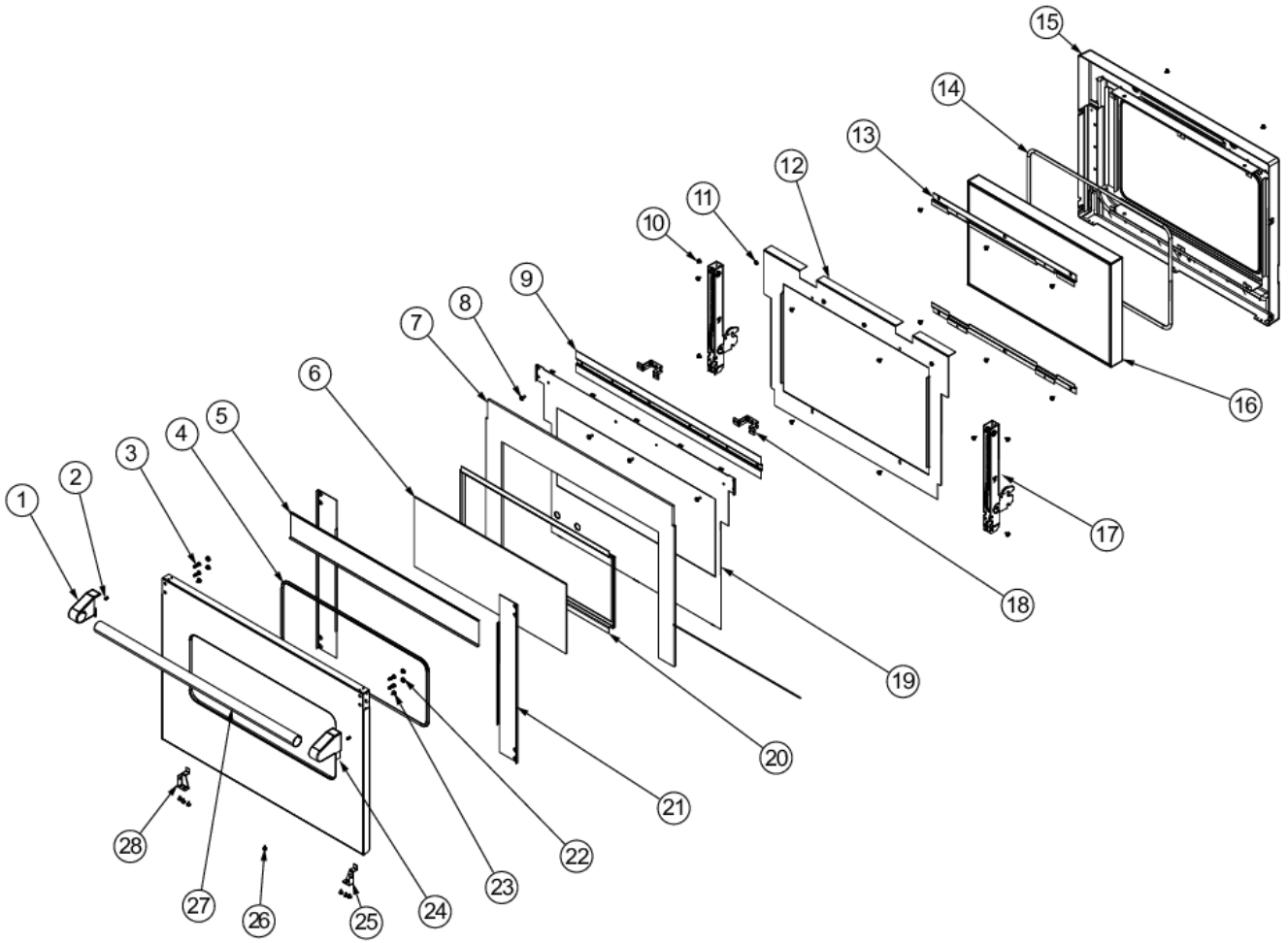


Item	Part No.	Name	Qty	Uom	NOTES
20	L20014077	30" WINDOW HOLDER	1	EA	
21	002726-000	DOOR SKIN SIDE BRACKET	2	EA	
22	004907-000	STEEL FINISHING PLUG, NICKEL PLTD 25/64" HOLE	4	EA	
23	PD020073	SRW #10 X 24 X 3/8 WAFER HD TYPE23	2	EA	
24	003012-000	DOOR HANDLE ENDCAP ASSY, RH (CHROME)	1	EA	
24	003012-100	DOOR HANDLE ENDCAP ASSY, RH (BRASS) - NLA	1	EA	
25	A20012640	HINGE SUPPORT RH	1	EA	
26	PD020032	SRW-8(A)X3/8"PH.WFR HD 7/16DIA*NICL	7	EA	
27	002728-000	DOOR HANDLE - SS, 1.25" 29.5	1	EA	
28	A20012641	HINGE SUPPORT LH	1	EA	
29	006787-000	INSULATION,DOOR,SIDE,SUPE RWool,.25,VDSC530	2	EA	
NI	006805-000	DOOR ASM, 30" - NO LOGO, RH, SS	1	EA	
NI	013355-002	DOOR ASM, 30", DECARB, NO LOGO, RH, BK	1	EA	
NI	013355-003	DOOR ASM, 30", DECARB, NO LOGO, RH, BT	1	EA	
NI	013355-004	DOOR ASM, 30", DECARB, NO LOGO, RH, SG	1	EA	
NI	013355-005	DOOR ASM, 30", DECARB, NO LOGO, RH, GG	1	EA	
NI	013355-006	DOOR ASM, 30", DECARB, NO LOGO, RH, WH	1	EA	Not available online / Call for pricing and availability
NI	013355-008	DOOR ASM, 30", DECARB, NO LOGO, RH, BU	1	EA	
NI	013355-009	DOOR ASM, 30", DECARB, NO LOGO, RH, LE	1	EA	
NI	013355-010	DOOR ASM, 30", DECARB, NO LOGO, RH, MJ	1	EA	Not available online / Call for pricing and availability
NI	013355-012	DOOR ASM, 30", DECARB, NO LOGO, RH, VB	1	EA	
NI	013355-013	DOOR ASM, 30", DECARB, NO LOGO, RH, CB	1	EA	

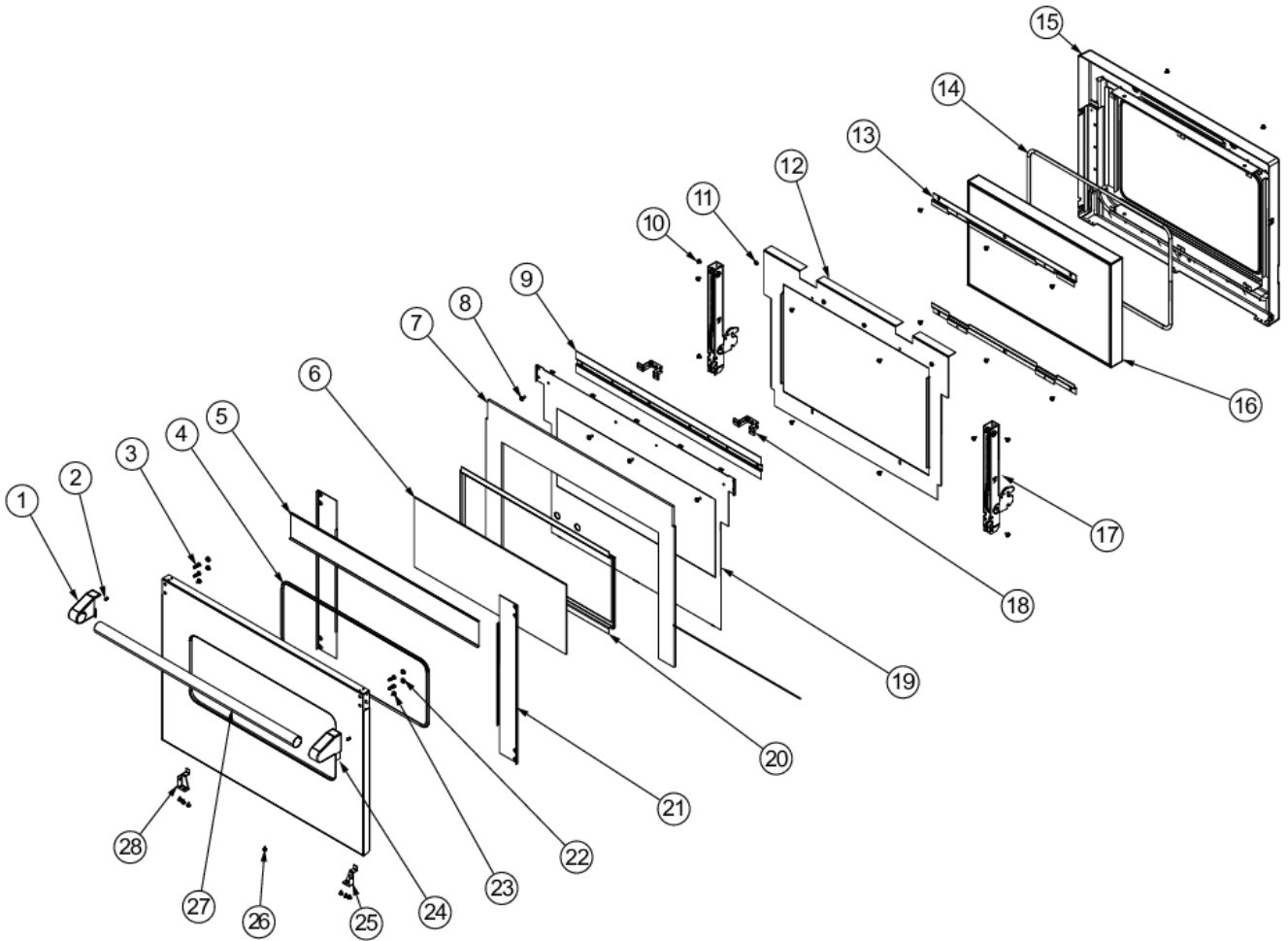




Item	Part No.	Name	Qty	Uom	NOTES
NI	013355-015	DOOR ASM, 30", DECARB, NO LOGO, RH, PL	1	EA	
NI	013355-016	DOOR ASM, 30", DECARB, NO LOGO, RH, CH	1	EA	
NI	013355-017	DOOR ASM, 30", DECARB, NO LOGO, RH, TP	1	EA	
NI	013355-018	DOOR ASM, 30", DECARB, NO LOGO, RH, CW NLA	1	EA	
NI	013355-019	DOOR ASM, 30", DECARB, NO LOGO, RH, OG	1	EA	
NI	013355-020	DOOR ASM, 30", DECARB, NO LOGO, RH, GM	1	EA	
NI	013355-021	DOOR ASM, 30", DECARB, NO LOGO, RH, SA	1	EA	
NI	013355-022	DOOR ASM, 30", DECARB, NO LOGO, RH, SE	1	EA	
NI	013355-023	DOOR ASM, 30", DECARB, NO LOGO, RH, IB	1	EA	
NI	013355-024	DOOR ASM, 30", DECARB, NO LOGO, RH, AR	1	EA	
NI	013355-025	DOOR ASM, 30", DECARB, NO LOGO, RH, RR	1	EA	
NI	013355-026	DOOR ASM, 30", DECARB, NO LOGO, RH, PM	1	EA	
NI	013355-027	DOOR ASM, 30", DECARB, NO LOGO, RH, MS	1	EA	
NI	006805-100	DOOR ASM, 30" - NO LOGO, RH, SS/BR	1	EA	
NI	013355-102	DOOR ASM, 30", DECARB, NO LOGO, RH, BK/BR	1	EA	
NI	013355-103	DOOR ASM, 30", DECARB, NO LOGO, RH, BT/BR	1	EA	
NI	013355-104	DOOR ASM, 30", DECARB, NO LOGO, RH, SG/BR	1	EA	
NI	013355-105	DOOR ASM, 30", DECARB, NO LOGO, RH, GG/R	1	EA	
NI	013355-106	DOOR ASM, 30", DECARB, NO LOGO, RH, WH/BR	1	EA	
NI	013355-108	DOOR ASM, 30", DECARB, NO LOGO, RH, BU/BR	1	EA	
NI	013355-109	DOOR ASM, 30", DECARB, NO LOGO, RH, LE/BR	1	EA	
NI	013355-110	DOOR ASM, 30", DECARB, NO LOGO, RH, MJ/BR	1	EA	

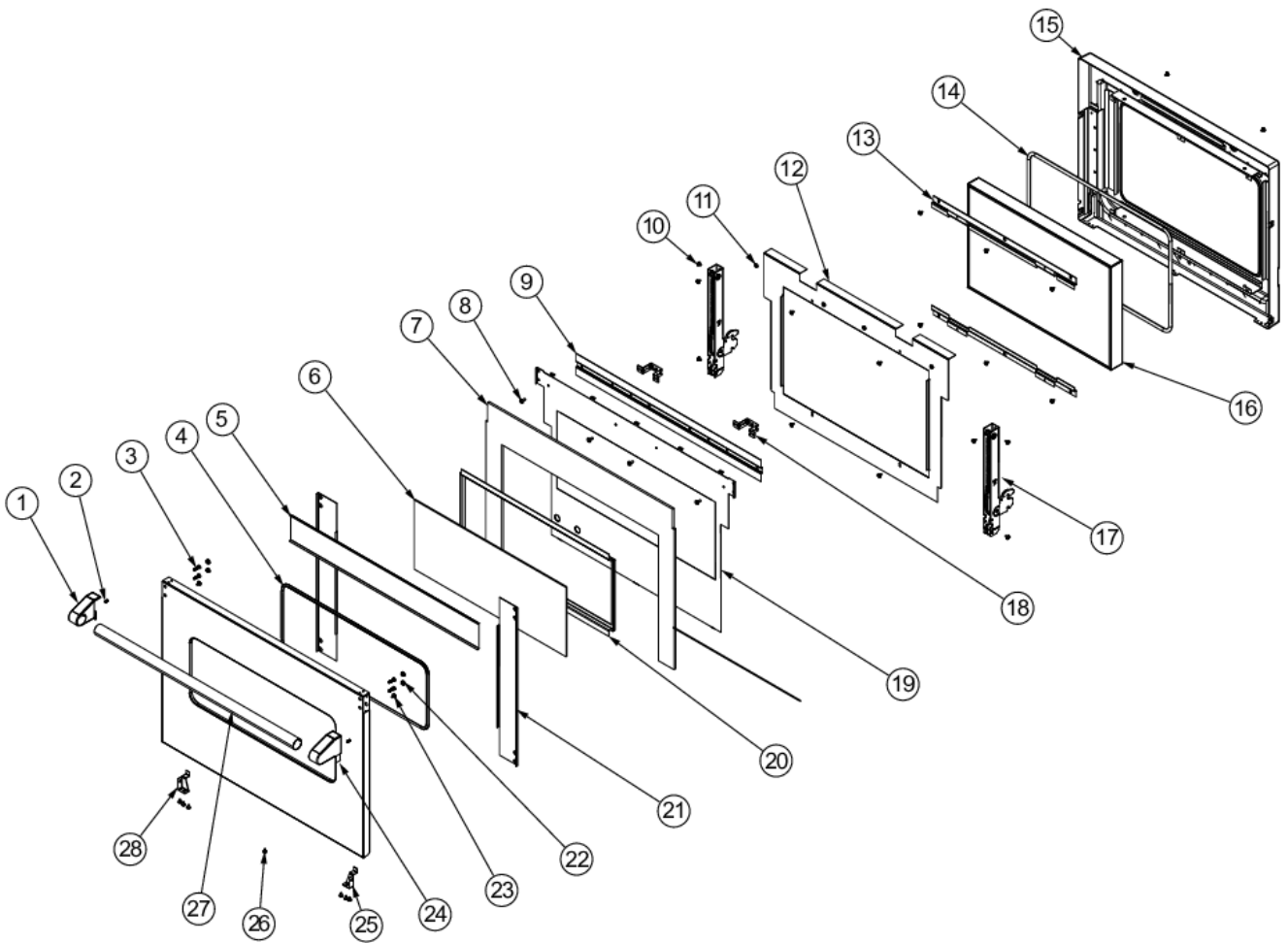


Item	Part No.	Name	Qty	Uom	NOTES
NI	013355-112	DOOR ASM, 30", DECARB, NO LOGO, RH, VB/BR	1	EA	
NI	013355-113	DOOR ASM, 30", DECARB, NO LOGO, RH, CB/BR	1	EA	
NI	013355-115	DOOR ASM, 30", DECARB, NO LOGO, RH, PL/BR	1	EA	
NI	013355-116	DOOR ASM, 30", DECARB, NO LOGO, RH, CH/BR	1	EA	
NI	013355-117	DOOR ASM, 30", DECARB, NO LOGO, RH, TP/BR	1	EA	
NI	013355-118	DOOR ASM, 30", DECARB, NO LOGO, RH, CW/BR	1	EA	
NI	013355-119	DOOR ASM, 30", DECARB, NO LOGO, RH, OG/BR	1	EA	
NI	013355-120	DOOR ASM, 30", DECARB, NO LOGO, RH, GM/BR	1	EA	
NI	013355-121	DOOR ASM, 30", DECARB, NO LOGO, RH, SA/BR	1	EA	
NI	013355-122	DOOR ASM, 30", DECARB, NO LOGO, RH, SE/BR	1	EA	
NI	013355-123	DOOR ASM, 30", DECARB, NO LOGO, RH, IB/BR	1	EA	
NI	013355-124	DOOR ASM, 30", DECARB, NO LOGO, RH, AR/BR	1	EA	
NI	013355-125	DOOR ASM, 30", DECARB, NO LOGO, RH, RR/BR	1	EA	
NI	013355-126	DOOR ASM, 30", DECARB, NO LOGO, RH, PM/BR	1	EA	
NI	013355-127	DOOR ASM, 30", DECARB, NO LOGO, RH, MS/VR	1	EA	
NI	006804-000	DOOR SKIN ASM, 30", NO LOGO, SS	1	EA	
NI	013356-002	DOOR SKIN ASM, 30", NO LOGO, BK	1	EA	
NI	013356-003	DOOR SKIN ASM, 30", NO LOGO, BT	1	EA	
NI	013356-004	DOOR SKIN ASM, 30", NO LOGO, SG	1	EA	
NI	013356-005	DOOR SKIN ASM, 30", NO LOGO, GG	1	EA	
NI	013356-006	DOOR SKIN ASM, 30", NO LOGO, WH	1	EA	
NI	013356-008	DOOR SKIN ASM, 30", NO LOGO, BU	1	EA	





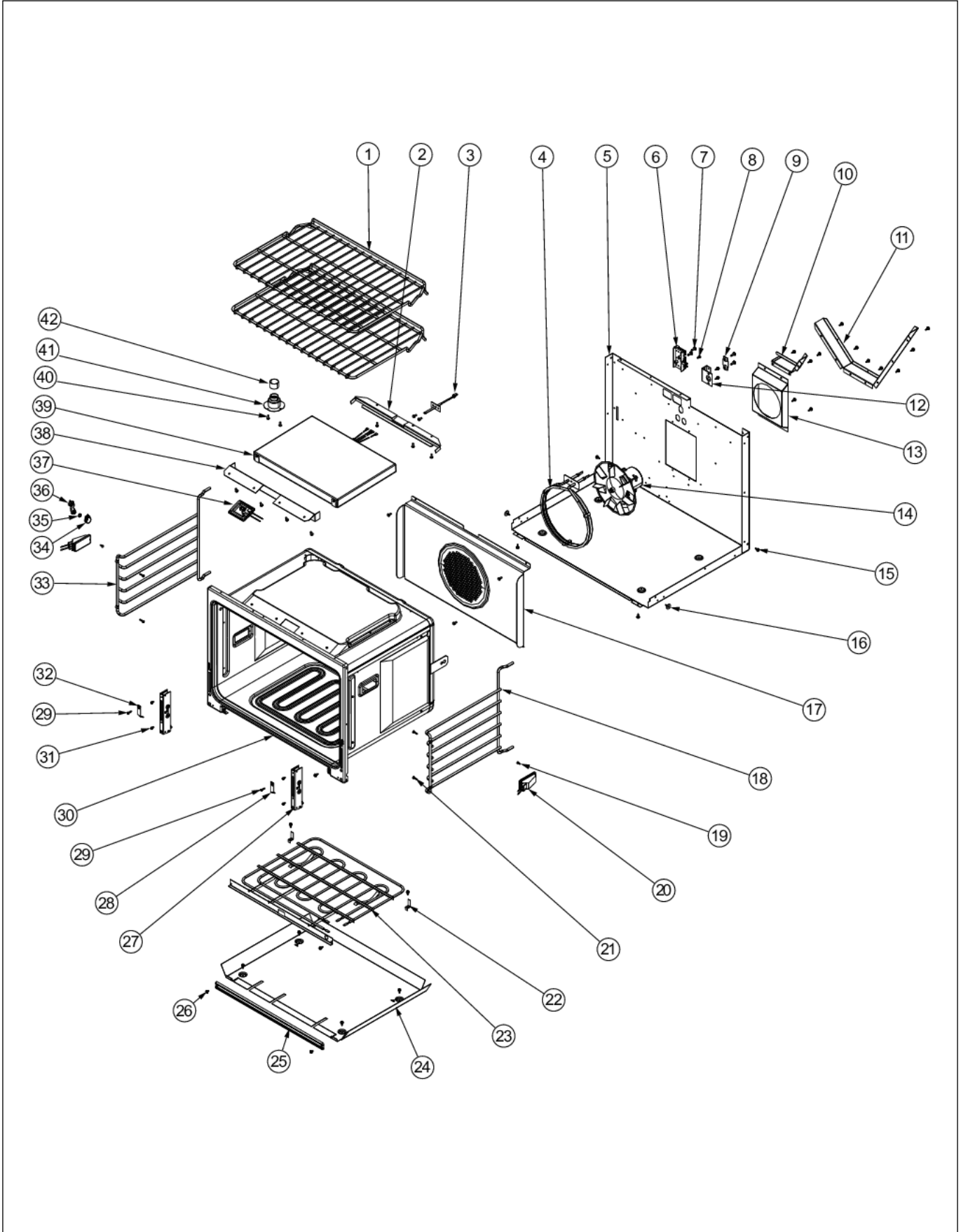
Item	Part No.	Name	Qty	Uom	NOTES
NI	013356-009	DOOR SKIN ASM, 30", NO LOGO, LE	1	EA	
NI	013356-010	DOOR SKIN ASM, 30", NO LOGO, MJ	1	EA	
NI	013356-012	DOOR SKIN ASM, 30", NO LOGO, VB	1	EA	
NI	013356-013	DOOR SKIN ASM, 30", NO LOGO, CB	1	EA	
NI	013356-015	DOOR SKIN ASM, 30", NO LOGO, PL	1	EA	
NI	013356-016	DOOR SKIN ASM, 30", NO LOGO, CH	1	EA	
NI	013356-017	DOOR SKIN ASM, 30", NO LOGO, TP	1	EA	
NI	013356-018	DOOR SKIN ASM, 30", NO LOGO, CW NLA	1	EA	
NI	013356-019	DOOR SKIN ASM, 30", NO LOGO, OG	1	EA	
NI	013356-020	DOOR SKIN ASM, 30", NO LOGO, GM	1	EA	
NI	013356-021	DOOR SKIN ASM, 30", NO LOGO, SA	1	EA	
NI	013356-022	DOOR SKIN ASM, 30", NO LOGO, SE	1	EA	
NI	013356-023	DOOR SKIN ASM, 30", NO LOGO, IB	1	EA	
NI	013356-024	DOOR SKIN ASM, 30", NO LOGO, AR	1	EA	
NI	013356-025	DOOR SKIN ASM, 30", NO LOGO, RR	1	EA	
NI	013356-026	DOOR SKIN ASM, 30", NO LOGO, PM	1	EA	
NI	013356-027	DOOR SKIN ASM, 30", NO LOGO, MS	1	EA	
NI	006804-100	DOOR SKIN ASM, 30", SS/BR, NO LOGO	1	EA	Not available online / Call for pricing and availability
NI	013356-102	DOOR SKIN ASM, 30", NO LOGO, BK/BR	1	EA	
NI	013356-103	DOOR SKIN ASM, 30", NO LOGO, BT/BR	1	EA	
NI	013356-104	DOOR SKIN ASM, 30", NO LOGO, SG/BR	1	EA	





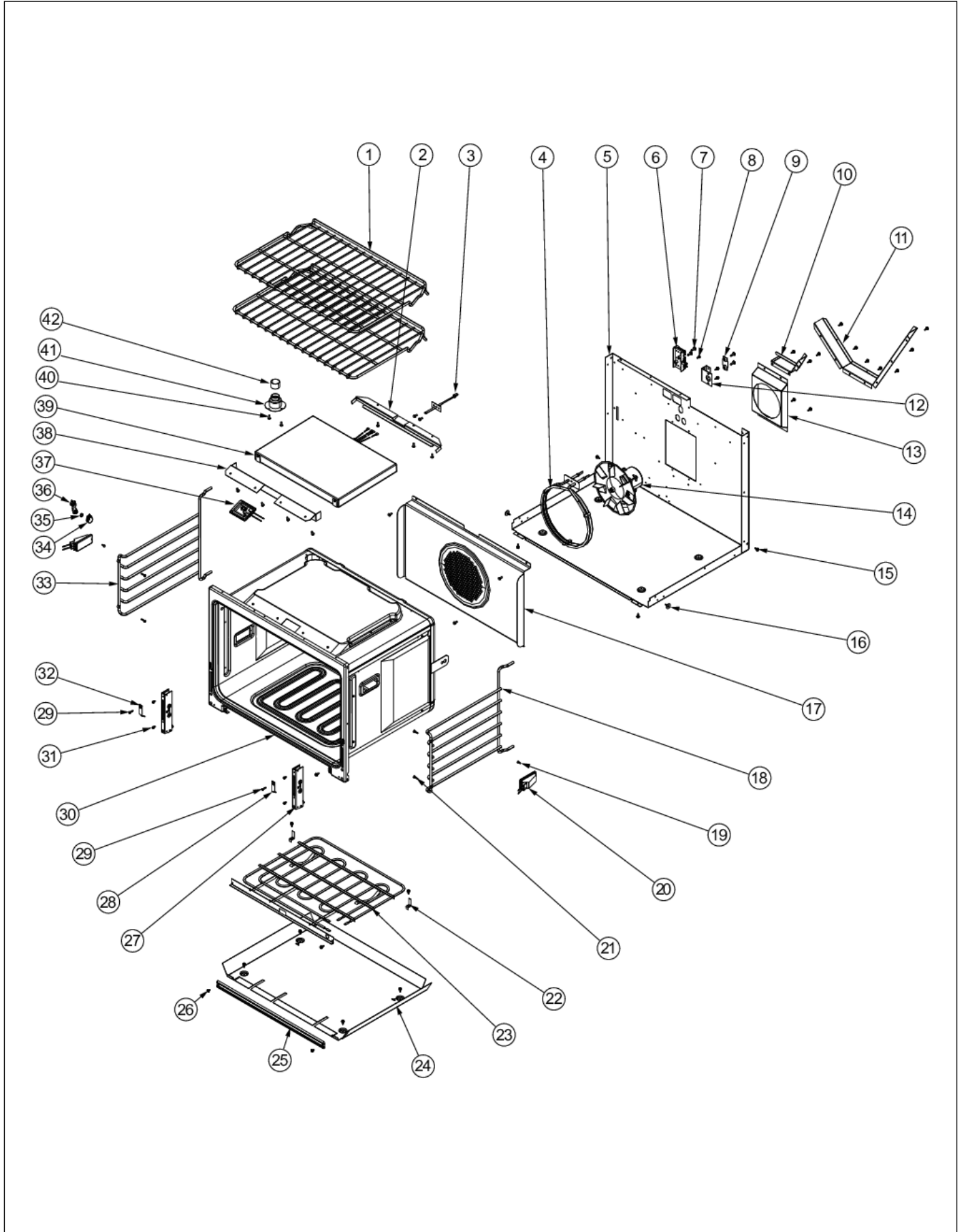
Item	Part No.	Name	Qty	Uom	NOTES
NI	013356-105	DOOR SKIN ASM, 30", NO LOGO, GG/BR	1	EA	
NI	013356-106	DOOR SKIN ASM, 30", NO LOGO, WH/BR	1	EA	
NI	013356-108	DOOR SKIN ASM, 30", NO LOGO, BU/BR	1	EA	
NI	013356-109	DOOR SKIN ASM, 30", NO LOGO, LE/BR	1	EA	
NI	013356-110	DOOR SKIN ASM, 30", NO LOGO, MJ/BR	1	EA	
NI	013356-112	DOOR SKIN ASM, 30", NO LOGO, VB/BR	1	EA	
NI	013356-113	DOOR SKIN ASM, 30", NO LOGO, CB/BR	1	EA	
NI	013356-115	DOOR SKIN ASM, 30", NO LOGO, PL/BR	1	EA	
NI	013356-116	DOOR SKIN ASM, 30", NO LOGO, CH/BR	1	EA	
NI	013356-117	DOOR SKIN ASM, 30", NO LOGO, TP/BR	1	EA	
NI	013356-118	DOOR SKIN ASM, 30", NO LOGO, CW/BR	1	EA	
NI	013356-119	DOOR SKIN ASM, 30", NO LOGO, OG/BR	1	EA	
NI	013356-120	DOOR SKIN ASM, 30", NO LOGO, GM/BR	1	EA	
NI	013356-121	DOOR SKIN ASM, 30", NO LOGO, SA/BR	1	EA	
NI	013356-122	DOOR SKIN ASM, 30", NO LOGO, SE/BR	1	EA	
NI	013356-123	DOOR SKIN ASM, 30", NO LOGO, IB/BR	1	EA	
NI	013356-124	DOOR SKIN ASM, 30", NO LOGO, AR/BR	1	EA	
NI	013356-125	DOOR SKIN ASM, 30", NO LOGO, RR/BR	1	EA	
NI	013356-126	DOOR SKIN ASM, 30", NO LOGO, PM/BR	1	EA	
NI	013356-127	DOOR SKIN ASM, 30", NO LOGO, MS/BR	1	EA	

RH OVEN CAVITY

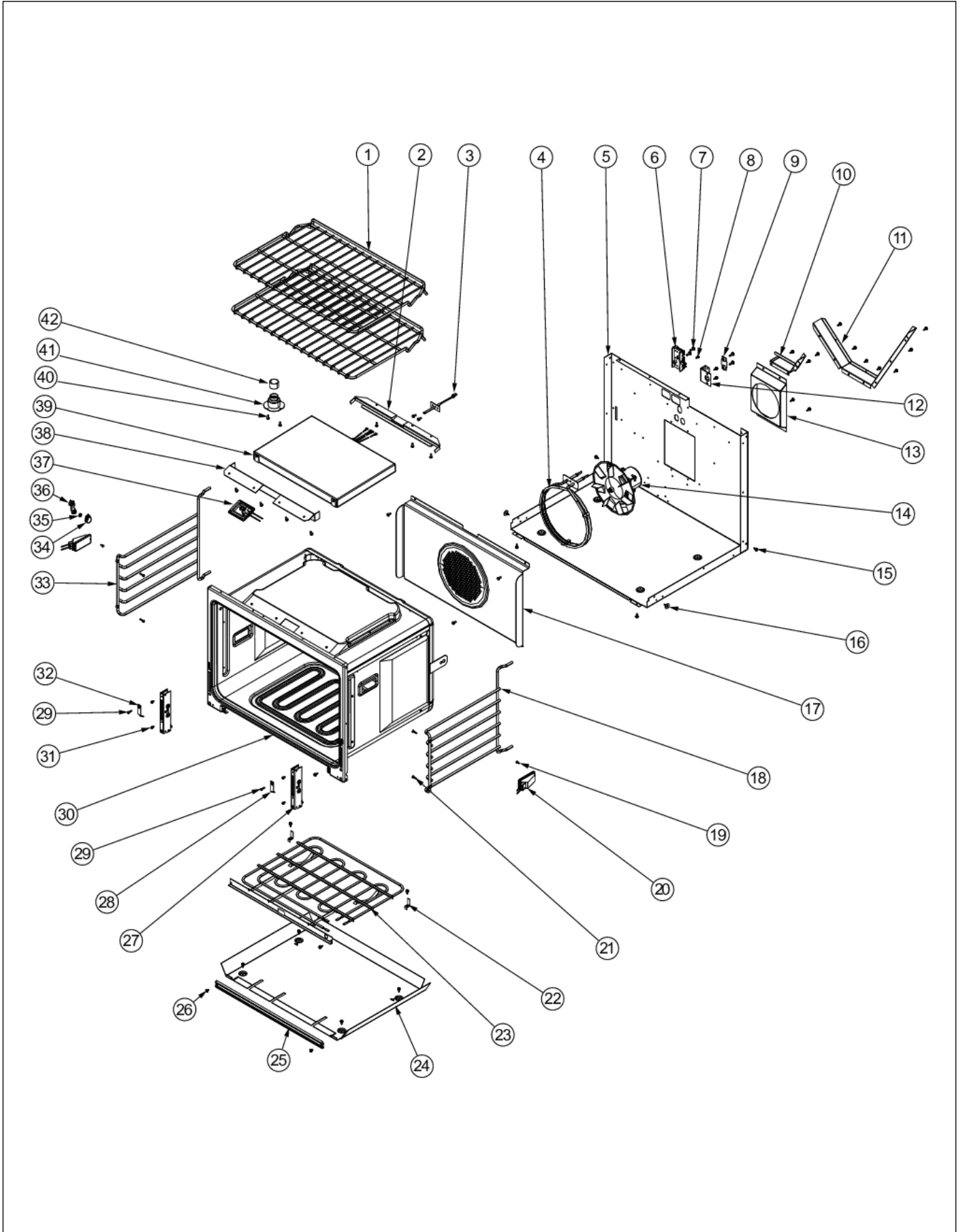




Item	Part No.	Name	Qty	Uom	NOTES
1	PB060107	30" OVEN RACK	2	EA	
2	024221-000	BRACKET, BROILER, REAR	1	EA	
3	PE050206	RTD THERMOSTAT PROBE	1	EA	
4	PJ010047	CONVECTION ELEMENT	1	EA	
5	003244-000	OVEN BOTTOM, BACK WRAP	1	EA	Not available online / Call for pricing and availability
6	PE070147	TERMINAL BLOCK (VDSC)	1	EA	
7	PD020014	10X3/4 PH TR HD SMS	4	EA	
8	PD020010	10 X 3/8 GREEN GROUNDING SCREW	1	EA	
9	A1002457	POWER CORD MOUNTING STRAP (VDSC)	1	EA	
10	003356-000	DIVERTER, AIR	1	EA	
11	002941-000	BAFFLE, FAN, REAR	1	EA	
12	A2002195	POWER CORD MOUNTING BRKT (VDSC)	1	EA	
13	A2009697	BRACKET, CONVECTION INSULATION	1	EA	
14	G32014020	CONVECTION FAN ASSY	1	EA	
15	003860-000	10-18 x .500 FASTNR,SCR,HXWH,STL,ZPLT	26	EA	
16	014143-000	SCR 10-12 A SHLD TRP 1/2 S ZN BLUE	2	EA	
17	G91013598	30" BAFFLE ASSEMBLY	1	EA	
18	066478-402	SUPPORT, RACK, RHS, PORCELAIN	1	EA	
19	PD020067	' #6 X 3/8" PAN PHIL. TEK *SS*	2	EA	
20	005311-000	LAMP, OVEN, 120V/25W	2	EA	
21	PD020232	#8 X 3/4" PH PAN HEAD TEK SCREW (BLACK OXIDE)	4	EA	
22	NON-SERVICEABLE	HOLDER, BAKE ELEMENT	2	EA	
23	PJ010048	BAKE ELEMENT	1	EA	
24	A2009612	ELEMENT, MTG TRAY	1	EA	
25	E9109655	COVER, BAKE TRAY	1	EA	
26	PD020063	SCREW-#8(A) X 3/8"PH WFR HD/BK OXID	2	EA	
27	031679-000	RECEPTACLE, HINGE	2	EA	



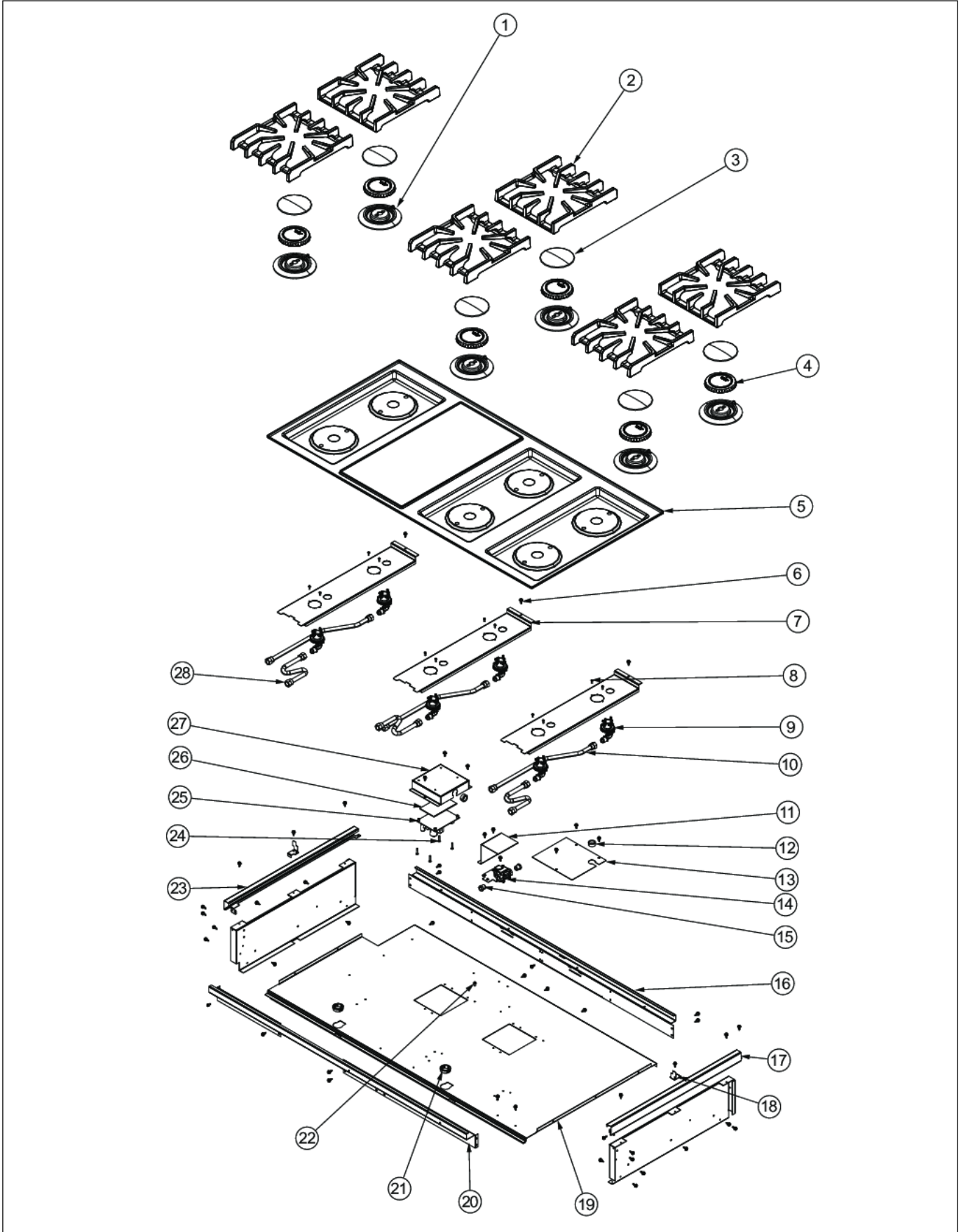
Item	Part No.	Name	Qty	Uom	NOTES
28	007278-000	ARM HINGE CLIP	1	EA	
Not Shown	NOTE	(BEFORE 01/02/13)		EA	
28	049718-402	CLIP, RETAINER, HINGE, GLOSS BLACK ENAMEL	1	EA	
Not Shown	NOTE	(AFTER 01/02/13		EA	
29	PD020061	' #8 X 3/4 FLAT HD TEK. *SS*	2	EA	
30	G30014039	30" PREMIERE CAVITY ASSY	1	EA	NO LONGER AVAILABLE, Not available online / Call for pricing and availability
31	PD020062	#8-32 X 3/8 PHMS TYPE 1	4	EA	
32	007278-000	ARM HINGE CLIP	1	EA	
Not Shown	NOTE	(BEFORE 01/02/13)		EA	
Not Shown	049718-402	CLIP, RETAINER, HINGE, GLOSS BLACK ENAMEL	1	EA	
Not Shown	NOTE	(AFTER 01/02/13		EA	
33	066479-402	SUPPORT, RACK, LHS, PORCELAIN	1	EA	
34	PM010160	MEAT PROBE JACK COVER (SWITCHCRAFT'S PART# 2C1098)	1	EA	
35	E91014053	PORCELAIN 25/64" HOLE PLUG	1	EA	Not available online / Call for pricing and availability
36	PE050115	MEAT PROBE JACK (SWITCHCRAFT'S PART# 3J1505)	1	EA	
Comments for Part Num. PE050115  bradleysapplianceservice@shaw.ca on May 8, 2017 Meat probe is not illustrated on Parts Break Down. PE050114 MEAT PROBE					
37	020403-000	LAMP, OVEN, 120V/40W	1	EA	
38	024234-000	BRACKET, BROILER, FRONT	1	EA	
39	024040-000	ELEMENT, RIBBON	1	EA	





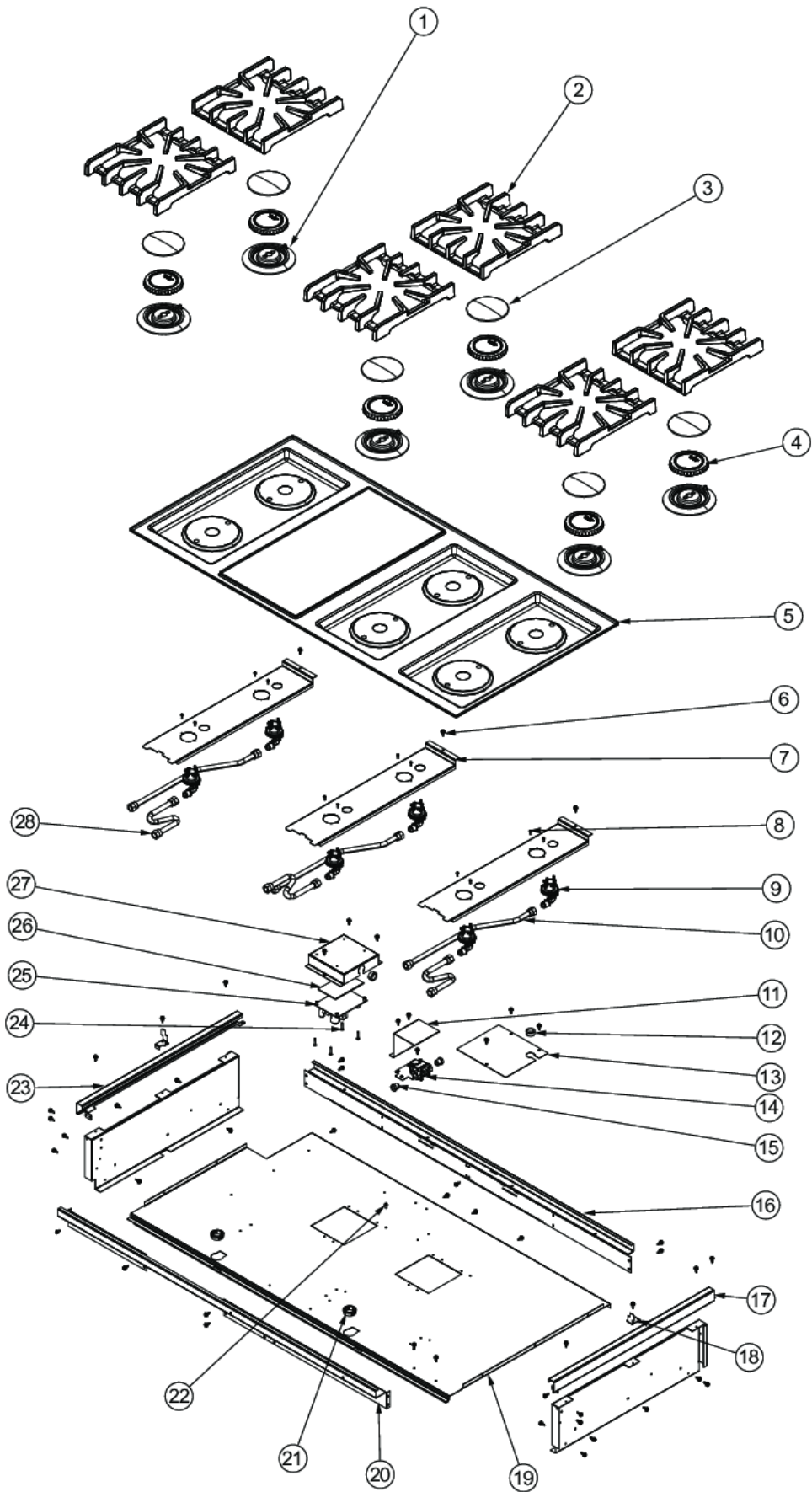
Item	Part No.	Name	Qty	Uom	NOTES
Comments for Part Num. 024040-000					
jhobbs@kimballinc.com on Jan 4, 2019					
Please Correct the part number on this ( 057872-000)					
40	PD020048	NO.10 X 1/2 TEK 410 SS SCREW	14	EA	
41	NON-SERVICEABLE	SMOKE ELIMINATOR (VDSC)	1	EA	
42	PB020275	VENT TUBE	1	EA	

SURFACE COOKING AREA





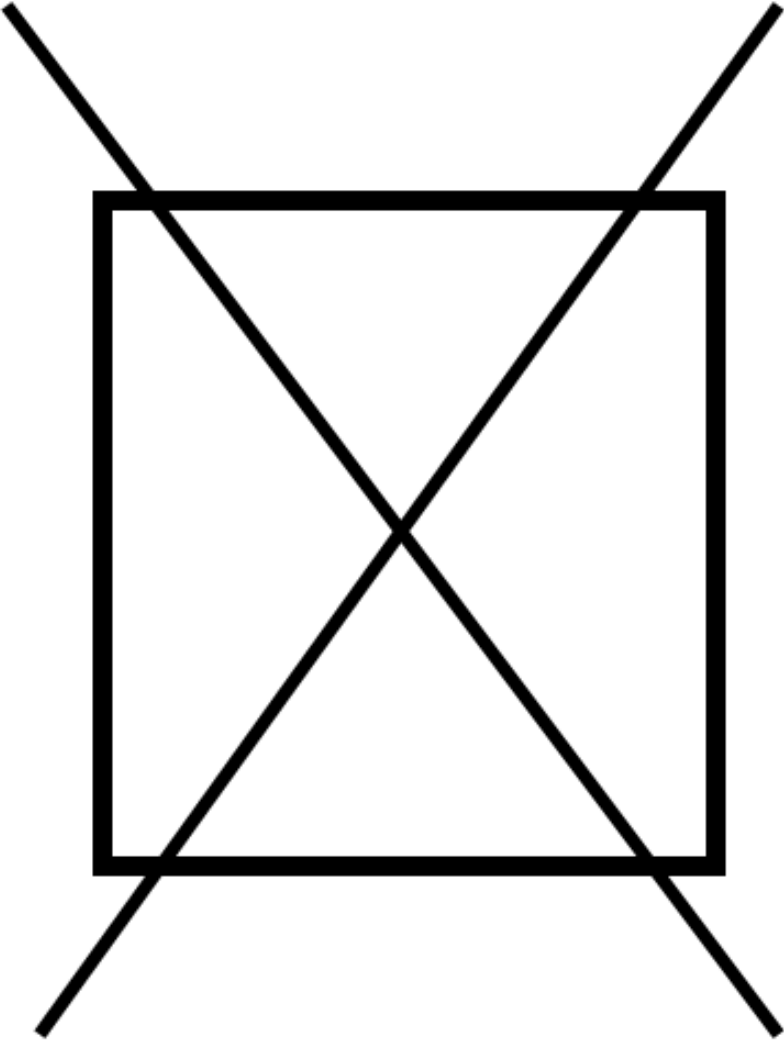
Item	Part No.	Name	Qty	Uom	NOTES
1	003322-041	SEALED BURNER BASE, PAINTED FINISH- GRAY	6	EA	
2	007323-000	BURNER GRATE	6	EA	
Not Shown	NOTE	(BEFORE 11/21/14)		EA	
2	049420-000	GRATE, BURNER, ASM	6	EA	
Not Shown	NOTE	(ON OR AFTER 11/21/14)		EA	
NI	PD040075	RUBBER FOOT	24	EA	
Not Shown	NOTE	(BEFORE 11/21/14)		EA	
NI	049416-000	BUMPER, GRATE	24	EA	
Not Shown	NOTE	(ON OR AFTER 11/21/14)		EA	
3	PA080083	D BURNER CAP *MATTE BLACK*	6	EA	
4	018200-000	ADJUSTED SEALED BURNER HEAD	6	EA	
5	E9109801BK	48" SEALED COOKTOP 6BG & 6BQ *BK*	1	EA	
6	003860-000	10-18 x .500 FASTNR,SCR,HXWH,STL,ZPLT	50	EA	
7	002923-000	BURNER MODULE SUPPORT	3	EA	
8	PD020076	6-32 X 3/8" PHILL PAN MS	12	EA	
9	001394-041	18500 BTU NAT JETHOLDER	1	EA	
9	001394-042	15000 BTU NAT JETHOLDER	5	EA	
9	001394-044	16.6 K BTU LP JETHOLDER	1	EA	
9	001394-046	12.5 K BTU LP JETHOLDER	5	EA	
10	PB020193	16" FLEX TUBING W/CONNECTORS	3	EA	
11	009402-000	SOLENOID HEAT SHIELD COVER	1	EA	
12	PD040005	SNAP BUSHING - 7/8"	2	EA	
13	008904-000	BURNER BOX, DSI COVER	1	EA	
Not Shown	NOTE	(BEFORE 1/13/11)		EA	
13	024305-000	COVER, DSI, 6G	1	EA	
Not Shown	NOTE	(ON OR AFTER 1/13/11)		EA	





Item	Part No.	Name	Qty	Uom	NOTES
13	024398-000	COVER, ACS, DSI	1	EA	
Not Shown	NOTE	(ON OR AFTER 1/13/11)		EA	
14	009111-000	VALVE, SOL, SINGLE	1	EA	
15	PB040050	3/8CC MALE COMP. FITTING W/FERRULE	2	EA	
16	008464-000	BRNR BOX,REAR,FLAT,SUPPORT,VD SC5484GQ 48"	1	EA	
17	002920-000	TOP TRIM RING, RH	1	EA	
18	004021-000	SUPPORT,TRIM,SIDE	2	EA	
19	015641-000	BURNER BOX BOT, VDSC548T	1	EA	
Not Shown	NOTE	(BEFORE 1/13/11)		EA	
19	024684-000	BURNER,BOX,BOT,VDSC548T	1	EA	
Not Shown	NOTE	(ON OR AFTER 1/13/11)		EA	
20	008461-000	SUPPORT, FRONT	1	EA	
21	PD040152	SNAP BUSHING	2	EA	
22	PD020010	10 X 3/8 GREEN GROUNDING SCREW	2	EA	
23	003649-000	TOP TRIM RING, LH	1	EA	
24	PD020043	#6-32 X .750 PH. CTRSK T(F)-VGSO166	4	EA	
25	PA020056	NLA - See TC-0063D-SP for kit number (see comments)	1	EA	
26	PB070191	INSULATION PAD	1	EA	
27	014564-000	DSI BOARD COVER	1	EA	
28	PB020192	10" FLEX TUBING W/CONNECTORS	3	EA	

# NON ILLUSTRATED PART



Item	Part No.	Name	Qty	Uom	NOTES
NI	015100-000	Ribbon Cable, UI to EOC4 board	1	EA	
NI	020020-000	HARNESS, WRG, TEST, EOC4 DOUBLE OVEN	1	EA	
NI	PE070739	BAKE ELEMENT HARNESS	1	EA	
NI	PE070735	MEAT PROBE HARNESS	1	EA	
NI	020018-000	HARNESS, WIRING - LH OVEN	1	EA	
NI	013406-000	HARNESS, BAKE, ELEMENT, VDSC18"	1	EA	
NI	009665-000	GRIDDLE, POWER, HARNESS, VDSC CUSTOM	1	EA	
Not Shown	NOTE	(BEFORE 1/13/11)		EA	
NI	036200-000	HARNESS. W/ GRIDDLE	1	EA	
Not Shown	NOTE	(ON OR AFTER 1/13/11)		EA	
NI	012828-000	HARNESS, GROUND, DSI, VDSC536-4G	1	EA	
NI	013625-000	VDSC548-4GQ GRIDDLE HARNESS	1	EA	
NI	023325-000	IRIS HARNESS, 48"	1	EA	
NI	020019-000	HARNESS, WRG, CONTROL	1	EA	
NI	021319-000	*SEE 027543-000* HARNESS, ADPT, LED, 125V TO 2V	1	EA	
NI	007378-000	LIGHT SWITCH HARNESS	1	EA	
NI	024909-000	SHIELD, WRG	1	EA	
NI	000647-000	IRIS IGNITOR WIRE, FRONT BURNER	2	EA	
NI	006766-000	IRIS IGNITOR WIRE, BACK BURNER	2	EA	
NI	015357-000	IGNITOR, W/WIRE	2	EA	



Appendix A:Pages Index

CONTROL AREA ..... 1  
GRIDDLE ASSEMBLY ..... 2  
LH DOOR ASSEMBLY ..... 3  
LH OVEN CAVITY ..... 4  
LOWER UNIT AND SIDE PANEL ..... 5  
OVEN ELECTRONICS ..... 6  
REAR SHEET METAL ..... 7  
RH DOOR ASSEMBLY ..... 8  
RH OVEN CAVITY ..... 9  
SURFACE COOKING AREA ..... 10  
WIRING ..... 11



Appendix B:Parts Index

000594-000	3, 8	004152-000	8
000647-000	1, 11	004153-000	8
001394-041	10	004285-000	6
001394-042	10	004907-000	3, 8
001394-044	10	005269-000	1
001394-046	10	005270-000	1
002513-000	2	005300-000	3
002709-000	3	005311-000	9
002709-402	3	005458-000	4
002724-000	8	005503-002	5
002726-000	8	005503-003	5
002728-000	8	005503-004	5
002730-000	8	005503-005	5
002732-000	8	005503-006	5
002740-000	8	005503-008	5
002754-000	6	005503-009	5
002905-000	5	005503-010	5
002920-000	10	005503-012	5
002923-000	10	005503-013	5
002941-000	9	005503-015	5
003011-000	3, 8	005503-016	5
003011-100	3, 8	005503-017	5
003012-000	3, 8	005503-018	5
003012-100	3, 8	005503-019	5
003244-000	9	005503-020	5
003272-000	7	005503-021	5
003322-041	10	005503-022	5
003333-000	6	005503-023	5
003356-000	9	005503-024	5
003490-000	4	005503-025	5
003644-000	5	005503-026	5
003649-000	10	005503-027	5
003650-000	3, 8	006158-000	5
003681-000	7	006160-000	4
003719-000	1	006163-000	4
003801-000	5	006166-000	4
003860-000	2, 4, 5, 6, 7, 9, 10	006176-000	4
004016-000	6	006195-000	6
004021-000	10	006203-000	4
004110-000	6	006207-000	3
		006209-000	3



006213-000	3	007420-000	6
006214-000	3	007441-000	4, 7
006218-000	3	007488-000	5
006219-000	3	007504-000	7
006220-000	3	007793-000	6
006221-000	3	007794-000	6
006222-000	3	008276-000	3
006224-000	3	008461-000	10
006226-000	3	008464-000	10
006226-100	3	008904-000	10
006227-000	3	009111-000	10
006227-100	3	009402-000	10
006300-000	5	009426-000	3
006313-000	1	009427-000	3
006379-000	4	009428-000	3
006380-000	4	009665-000	11
006400-000	7	010348-000	1
006570-000	1	010956-000	5
006572-000	1	011178-000	3
006748-000	4	011717-000	1
006749-000	5	012291-000	2
006750-000	5	012828-000	11
006766-000	1, 11	013213-000	1
006783-000	2	013250-000	6
006785-000	2	013355-002	8
006787-000	8	013355-003	8
006788-000	8	013355-004	8
006804-000	8	013355-005	8
006804-100	8	013355-006	8
006805-000	8	013355-008	8
006805-100	8	013355-009	8
006807-000	3	013355-010	8
006808-000	3	013355-012	8
006933-000	5	013355-013	8
007147-000	1	013355-015	8
007188-000	7	013355-016	8
007248-000	4, 4	013355-017	8
007278-000	4, 9, 9	013355-018	8
007323-000	10	013355-019	8
007378-000	11	013355-020	8
007419-000	6	013355-021	8



013355-022	8	013356-017	8
013355-023	8	013356-018	8
013355-024	8	013356-019	8
013355-025	8	013356-020	8
013355-026	8	013356-021	8
013355-027	8	013356-022	8
013355-102	8	013356-023	8
013355-103	8	013356-024	8
013355-104	8	013356-025	8
013355-105	8	013356-026	8
013355-106	8	013356-027	8
013355-108	8	013356-102	8
013355-109	8	013356-103	8
013355-110	8	013356-104	8
013355-112	8	013356-105	8
013355-113	8	013356-106	8
013355-115	8	013356-108	8
013355-116	8	013356-109	8
013355-117	8	013356-110	8
013355-118	8	013356-112	8
013355-119	8	013356-113	8
013355-120	8	013356-115	8
013355-121	8	013356-116	8
013355-122	8	013356-117	8
013355-123	8	013356-118	8
013355-124	8	013356-119	8
013355-125	8	013356-120	8
013355-126	8	013356-121	8
013355-127	8	013356-122	8
013356-002	8	013356-123	8
013356-003	8	013356-124	8
013356-004	8	013356-125	8
013356-005	8	013356-126	8
013356-006	8	013356-127	8
013356-008	8	013357-002	3
013356-009	8	013357-003	3
013356-010	8	013357-004	3
013356-012	8	013357-005	3
013356-013	8	013357-006	3
013356-015	8	013357-008	3
013356-016	8	013357-009	3



013357-010	3	013358-004	3
013357-011	3	013358-005	3
013357-012	3	013358-006	3
013357-015	3	013358-008	3
013357-016	3	013358-009	3
013357-017	3	013358-010	3
013357-018	3	013358-012	3
013357-019	3	013358-013	3
013357-020	3	013358-015	3
013357-021	3	013358-016	3
013357-022	3	013358-017	3
013357-023	3	013358-018	3
013357-024	3	013358-019	3
013357-025	3	013358-020	3
013357-026	3	013358-021	3
013357-027	3	013358-022	3
013357-102	3	013358-023	3
013357-103	3	013358-024	3
013357-104	3	013358-025	3
013357-105	3	013358-026	3
013357-106	3	013358-027	3
013357-108	3	013358-102	3
013357-109	3	013358-103	3
013357-110	3	013358-104	3
013357-112	3	013358-105	3
013357-113	3	013358-106	3
013357-115	3	013358-108	3
013357-116	3	013358-109	3
013357-117	3	013358-110	3
013357-118	3	013358-112	3
013357-119	3	013358-113	3
013357-120	3	013358-115	3
013357-121	3	013358-116	3
013357-122	3	013358-117	3
013357-123	3	013358-118	3
013357-124	3	013358-119	3
013357-125	3	013358-120	3
013357-126	3	013358-121	3
013357-127	3	013358-122	3
013358-002	3	013358-123	3
013358-003	3	013358-124	3





013358-125	3	015412-000	8
013358-126	3	015412-402	8
013358-127	3	015641-000	10
013365-002	5	016292-000	2
013365-003	5	016293-000	2
013365-004	5	016295-000	2
013365-005	5	016466-000	2
013365-006	5	018200-000	10
013365-008	5	018607-000	6
013365-009	5	018608-000	6
013365-010	5	019190-000	1
013365-012	5	019814-000	1
013365-013	5	020018-000	11
013365-015	5	020019-000	11
013365-016	5	020020-000	11
013365-017	5	020141-000	5
013365-018	5	020403-000	4, 9
013365-019	5	020437-000	3
013365-020	5	021319-000	11
013365-021	5	023003-000	5
013365-022	5	023116-000	4
013365-023	5	023325-000	11
013365-024	5	023451-000	2
013365-025	5	024040-000	9
013365-026	5	024221-000	9
013365-027	5	024234-000	9
013386-000	1	024305-000	10
013406-000	11	024398-000	10
013550-000	4	024684-000	10
013625-000	11	024909-000	5, 11
013787-000	5	030823-000	3, 8
013888-000	2	031679-000	4, 9
013889-000	2	033487-000	1
013950-000	1	035881-000	1
013995-000	1	035883-000	1
014137-000	5	035893-000	1
014143-000	4, 9	035898-000	1
014564-000	10	035900-000	1
015043-000	1	036200-000	11
015100-000	11	038417-000	5
015357-000	11	038434-002	5



038434-003	5	A2009612	9
038434-004	5	A2009641	5
038434-005	5	A2009659	6
038434-006	5	A2009697	4, 9
038434-008	5	A21014003	3, 8
038434-009	5	E91014053	4, 9
038434-010	5	E9109655	9
038434-012	5	E9109801BK	10
038434-013	5	G30014039	9
038434-015	5	G32014020	9
038434-016	5	G4000936	6
038434-017	5	G91013598	9
038434-018	5	L20014077	8
038434-019	5	M0275166	5
038434-020	5	PA020028	2
038434-021	5	PA020056	10
038434-022	5	PA020058	1
038434-023	5	PA070003	1
038434-024	5	PA080083	10
038434-025	5	PB010304	1
038434-026	5	PB020112	1
038434-027	5	PB020126	2
039293-000	6	PB020192	10
041509-000	7	PB020193	10
046142-556	5, 5	PB020275	4, 9
049416-000	10	PB040050	10
049420-000	10	PB040190	2
049718-402	4, 9, 9	PB040192	2
051533-000	5	PB040213	2
051834-000	5	PB060107	9
066478-402	4, 9	PB070079	6
066479-402	4, 9	PB070191	10
A1002457	9	PD010003	1
A20010101	7	PD010022	5
A20010102	7	PD010028	4
A20012640	8	PD020010	4, 9, 10
A20012641	8	PD020014	4, 9
A20012649	6	PD020032	1, 3, 5, 8
A2002195	9	PD020033	1, 3, 8
A2002454	7	PD020043	10
A2002654	7	PD020046	1



PD020048 ..... 4, 9  
PD020055 ..... 4, 7  
PD020061 ..... 9  
PD020062 ..... 1, 4, 9  
PD020063 ..... 3, 4, 8, 9  
PD020067 ..... 9  
PD020073 ..... 8  
PD020076 ..... 10  
PD020232 ..... 4, 9  
PD030006 ..... 3  
PD030010 ..... 3, 8  
PD030149 ..... 4  
PD040004 ..... 1  
PD040005 ..... 4, 7, 10  
PD040075 ..... 10  
PD040152 ..... 5, 6, 10  
PE010030 ..... 3  
PE010068 ..... 3  
PE050115 ..... 9  
PE050206 ..... 2, 4, 9  
PE050208 ..... 6  
PE050227 ..... 4  
PE050250 ..... 6  
PE060090 ..... 8  
PE060094 ..... 8  
PE060105 ..... 8  
PE070147 ..... 4, 9  
PE070735 ..... 11  
PE070739 ..... 11  
PE070891 ..... 1  
PJ010047 ..... 4, 9  
PJ010048 ..... 9  
PJ030033 ..... 1  
PJ030035 ..... 1  
PM010014 ..... 4  
PM010160 ..... 9