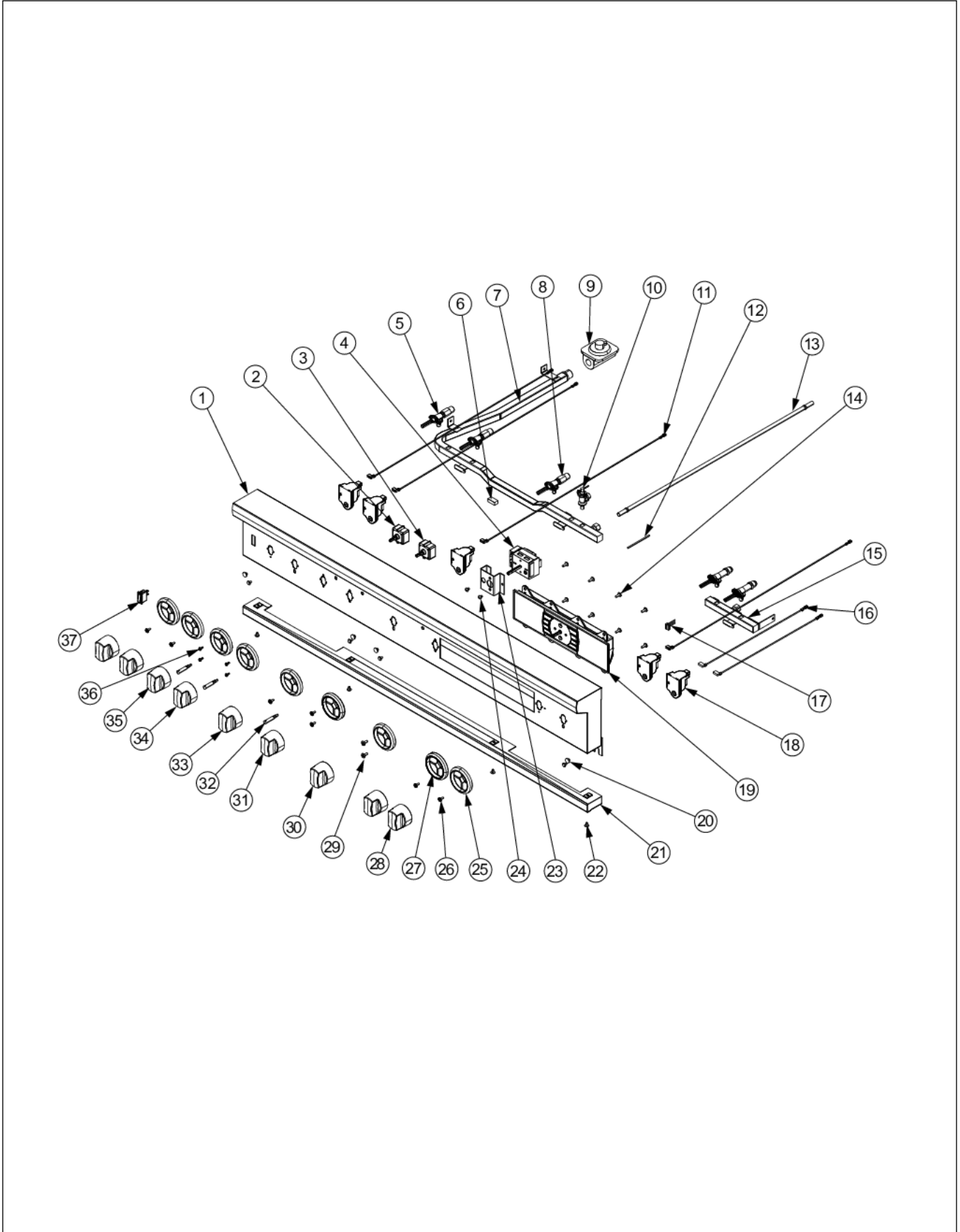


VDSC548T-4GQ

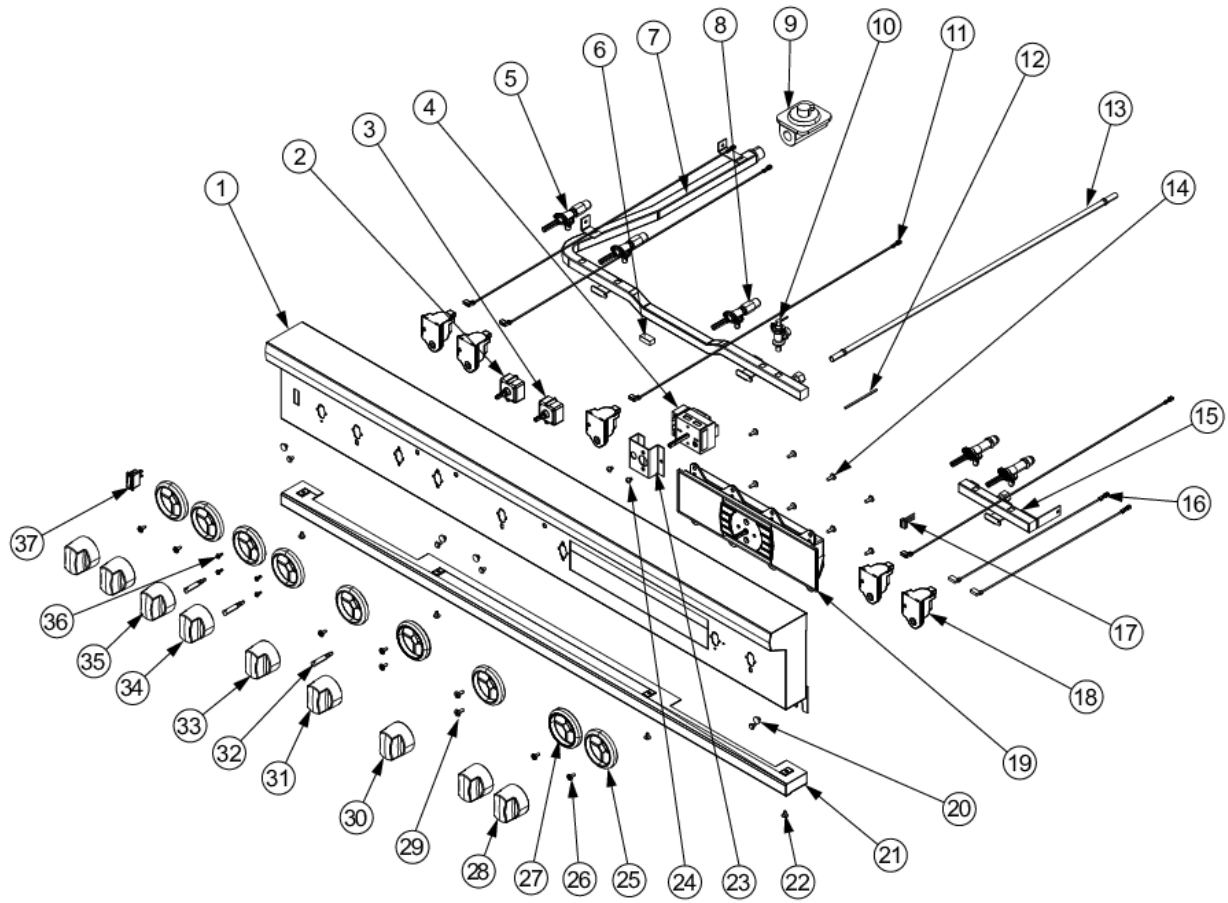
CONTROL AREA	1
GRIDDLE ASSEMBLY	2
GRILL ASSEMBLY	3
LH DOOR ASSEMBLY	4
LH OVEN CAVITY	5
LOWER UNIT AND SIDE PANEL	6
OVEN ELECTRONICS	7
REAR SHEET METAL	8
RH DOOR ASSEMBLY	9
RH OVEN CAVITY	10
SURFACE COOKING AREA	11
WIRING	12
Appendix A:Pages Index	A
Appendix B:Parts Index	B

CONTROL AREA



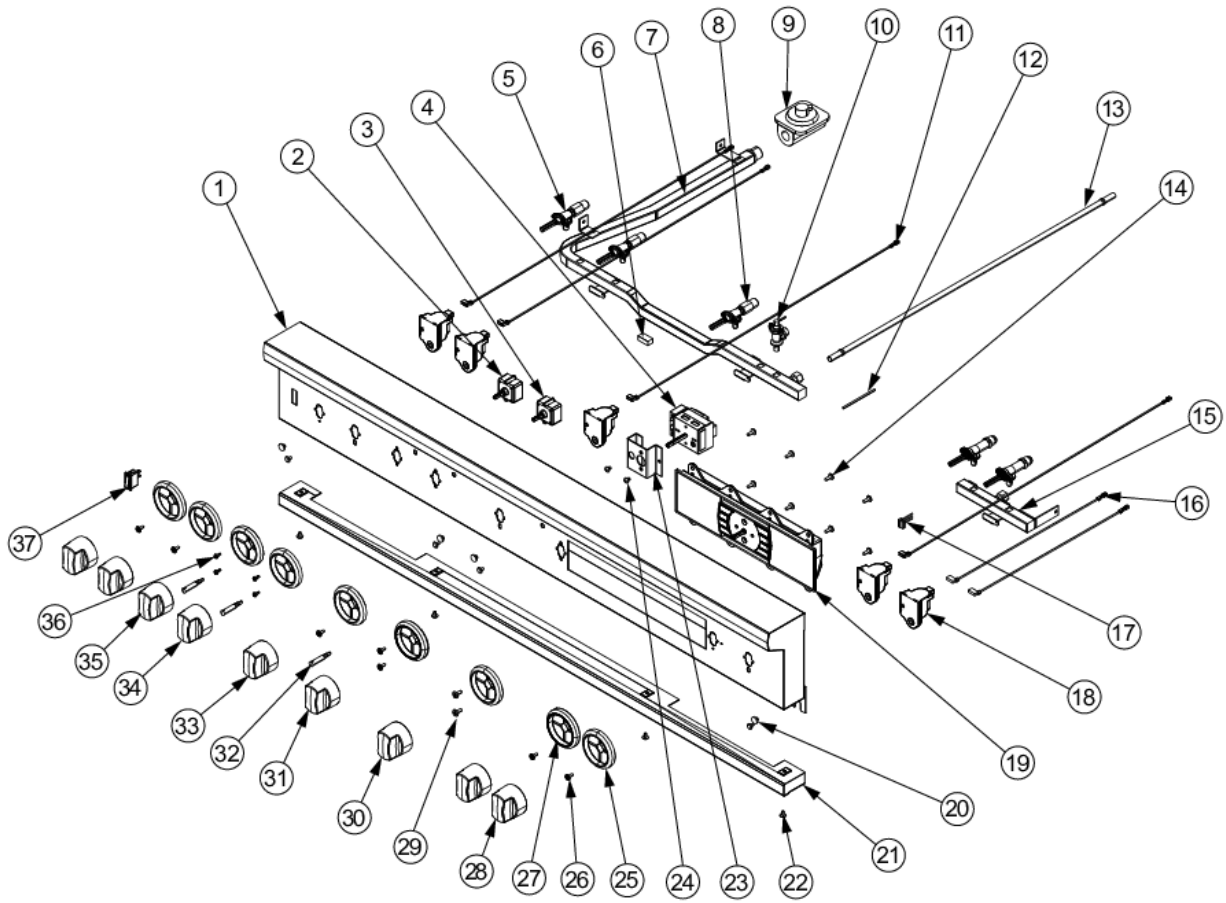


Item	Part No.	Name	Qty	Uom	NOTES
1	020895-000	BAR,PNL,ASM	1	EA	
2	PJ030033	SELECTOR (10 POS)	1	EA	
3	PJ030035	THERMOSTAT	1	EA	
<p>Comments for Part Num. PJ030035</p> <p>parts@lvdistributes.com on Feb 7, 2018 this is not the correct part for this range it should be a 003225-000 Reply by JREXEC02@AOL.COM on Feb 27, 2018 003225-000 is an Induction Control.</p> <p>PJ030035 is the red colored thermostat for the Gas Range *****</p>					
4	026468-000	THERMOSTAT, 2-POS, LONG SHAFT	1	EA	
5	006313-000	VALVE, BRS, SEALED TOP	4	EA	
6	020019-000	HARNESS, WRG, CONTROL	1	EA	
7	020713-000	MANIFOLD, ASM, LH	1	EA	Not available online / Call for pricing and availability
NI	020716-000	MANIFOLD, VLV, ASM, LH, LP	1	EA	Not available online / Call for pricing and availability
8	013583-000	VALVE, GRL, ASM, BRS, ISPHORDING	1	EA	
9	PA070003	PRESSURE REGULATOR (NAT.)	1	EA	
NI	013386-000	LP PRESSURE REGULATOR	1	EA	
10	007147-000	SHUT OFF VALVE	1	EA	
11	006766-000	IRIS IGNITOR WIRE, BACK BURNER	4	EA	
12	021319-000	*SEE 027543-000* HARNESS, ADPT, LED, 125V TO 2V	1	EA	
13	PB020111	3/8 SS FLEX TUBING - 27" T6-27	1	EA	
14	PD010003	10-24 X 1/2 PH.TR.HD.SERD.M.S.	8	EA	
15	019190-000	MANIFOLD ASM	1	EA	
16	000647-000	IRIS IGNITOR WIRE, FRONT BURNER	2	EA	





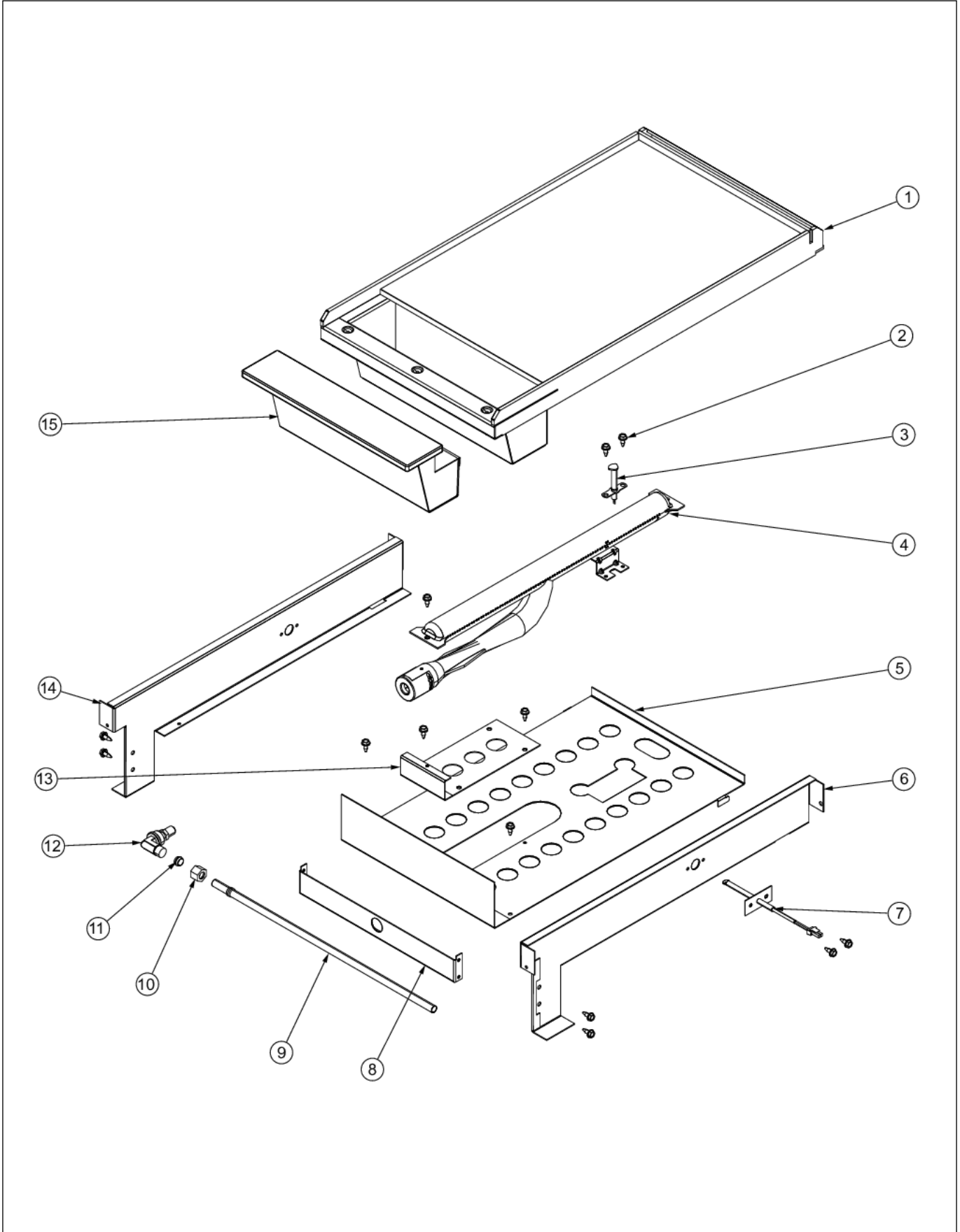
Item	Part No.	Name	Qty	Uom	NOTES
17	PE070892	IRIS HARNESS - 60"	1	EA	
18	PA020058	IRIS SINGLE SPARK MODULE	5	EA	
19	013995-000	VDSC ELECTRONIC CONTROLS MODULE (See TC-0075-SP Parts Bulletin before ordering)	1	EA	
Comments for Part Num. 013995-000					
gboltz@VikingRange.com on Jul 7, 2017 SEE TC-0075-SP Bulletin before ordering					
20	PD040004	GROMMET BUMPER	4	EA	
21	011717-000	TRIM ASM	1	EA	
22	PD020032	SRW-8(A)X3/8"PH.WFR HD 7/16DIA*NICL	8	EA	
23	020513-000	BRACKET, TSTAT	1	EA	Not available online / Call for pricing and availability
24	PD020044	#8-32 X 1/4" PH. TR. HD. M.S.	2	EA	
25	050172-000	BEZEL, KNOB	7	EA	
26	PD020046	#8 X 1/2 SCREWS	7	EA	
27	010348-000	KNOB BEZEL, VDSC, ELECTRONIC CONTROLS, SS	2	EA	
28	005269-000	RANGE TOP BURNER KNOB-BRUSHED, SSS	4	EA	
Not Shown	NOTE	(BEFORE 12/20/12)		EA	
28	035881-000	KNOB, BNR, TOP PRO CR3	4	EA	
Not Shown	NOTE	(ON OR AFTER 12/20/12)		EA	
29	PD020033	SRW #10-24 X 1/2" T (23) PH WFR HD (NKL)	2	EA	
30	013950-000	OVEN KNOB, VDSC ELECTRONIC CONTROLS	1	EA	
Not Shown	NOTE	(BEFORE 12/20/12)		EA	
30	035900-000	KNOB, OVEN PRO VDSC CR3	1	EA	
Not Shown	NOTE	(ON OR AFTER 12/20/12)		EA	
31	006570-000	KNOB, GRDL/(LH OVEN), ASM, PVD, #3, SSS	1	EA	





Item	Part No.	Name	Qty	Uom	NOTES
Comments for Part Num. 006570-000					
bradleysapplianceservice@shaw.ca on Aug 25, 2015					
006570-000 Griddle Knob Satin Stainless Steel (SSS) - Serial Break: Before 12/20/12					
035883-000 Griddle Knob Stainless Steel (SS) - Serial Break After 12/20/12					
If stainless steel (SS) is required: Use part number 035883-000 Griddle Knob					
Not Shown	NOTE	(BEFORE 12/20/12)		EA	
31	035883-000	KNOB,GRDL,PRO CR3	1	EA	
Not Shown	NOTE	(ON OR AFTER 12/20/12)		EA	
32	015043-000	INDICATOR, LIGHT, BLUE LED	3	EA	
33	006574-000	KNOB, GRL, ASM, PVD, #3, SSS	1	EA	
Not Shown	NOTE	(BEFORE 12/20/12)		EA	
33	035885-000	KNOB,GRL,PRO CR3	1	EA	
Not Shown	NOTE	(ON OR AFTER 12/20/12)		EA	
34	005270-000	RANGE THERMOSTAT KNOB-BRUSHED, SSS	1	EA	
Not Shown	NOTE	(BEFORE 12/20/12)		EA	
34	035893-000	KNOB,OVN,TSTAT, PRO VDSC/VESC CR3	1	EA	
Not Shown	NOTE	(ON OR AFTER 12/20/12)		EA	
35	005271-000	RANGE SELECTOR KNOB-BRUSHED, SSS	1	EA	
Not Shown	NOTE	(BEFORE 12/20/12)		EA	
35	035895-000	KNOB,OVN,SEL, PRO VDSC/VESC CR3	1	EA	
Not Shown	NOTE	(ON OR AFTER 12/20/12)		EA	
36	PD020062	#8-32 X 3/8 PHMS TYPE 1	4	EA	
37	003719-000	OVEN LIGHT SWITCH, BLACK	1	EA	

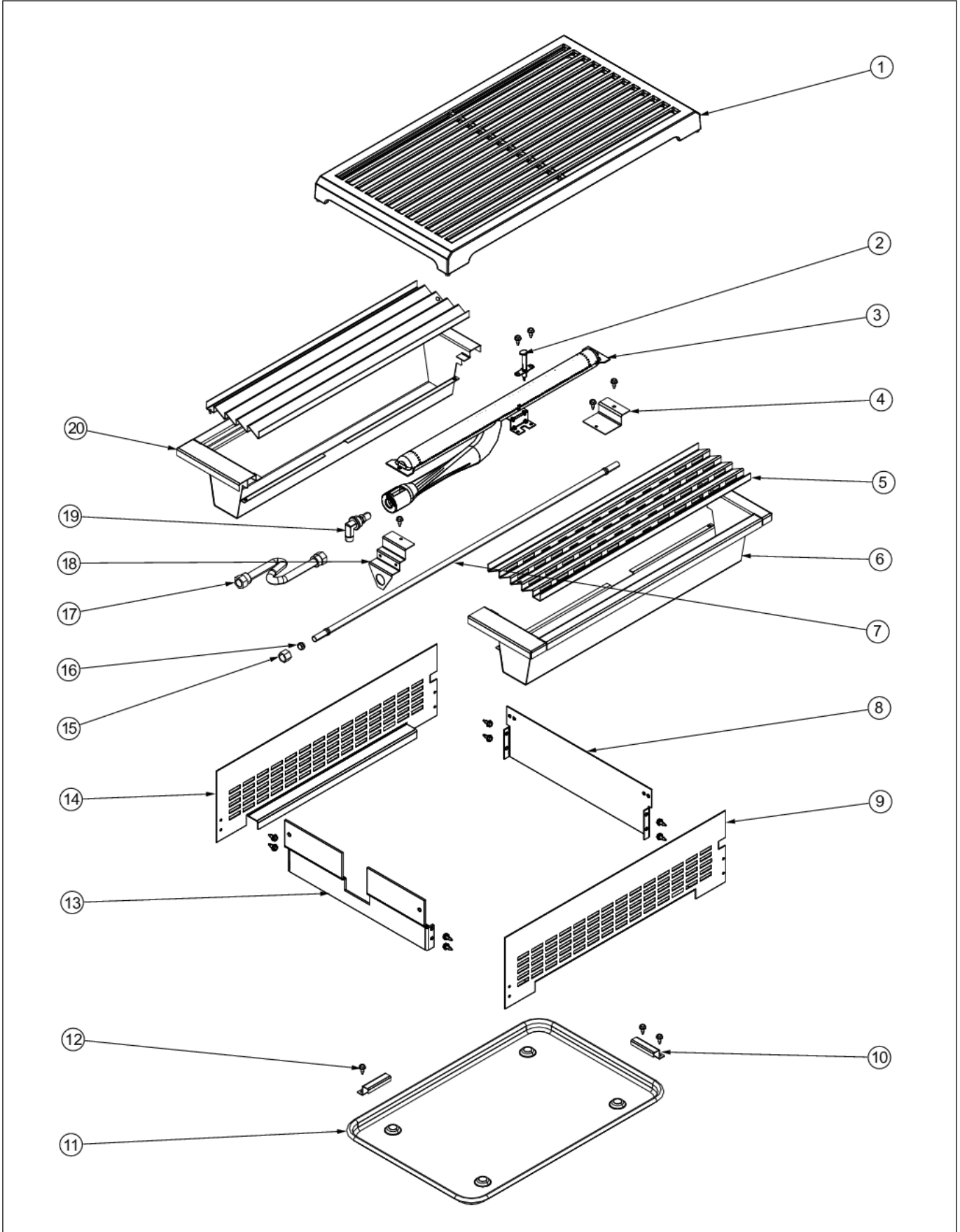
GRIDDLE ASSEMBLY





Item	Part No.	Name	Qty	Uom	NOTES
1	012291-000	GRIDDLE ASM, CUSTOM RANGES	1	EA	
2	003860-000	10-18 x .500 FASTNR,SCR,HXWH,STL,ZPLT	13	EA	
3	PA020028	SPARK IGNITER	1	EA	
4	013888-000	GRIDDLE, BURNER, ASM, NAT, W/IGNITOR BRACKET	1	EA	
NI	013889-000	GRIDDLE, BURNER, ASM, LP, W/IGNITOR BRACKET	1	EA	
5	016292-000	BURNER BOX BOTTOM, GRILL	1	EA	
6	016295-000	SIDE, GRILL BOX, RH	1	EA	
7	PE050206	RTD THERMOSTAT PROBE	1	EA	
8	006783-000	GRIDDLE BRKT, ORIFICE, CUSTOM RANGES	1	EA	
9	PB020126	3/8" S.S. FLEX TUBING 15" (DGCU)	1	EA	
10	PB040213	3/8" COMPRESSION NUT (DGCU)	1	EA	
11	PB040192	3/8" CC FERREL (DGCU)	1	EA	
12	PB040190	90 DEGREE ORIFICE FITTING #50 NAT	1	EA	
NI	002513-000	90 DEGREE ORIFICE FITTING #57 LP	1	EA	
13	016293-000	GRIDDLE SUPPORT, LEFT	1	EA	
14	006785-000	GRIDDLE, BOX, VENTURI, COVER	1	EA	
15	023451-000	TROUGH, ASM	1	EA	

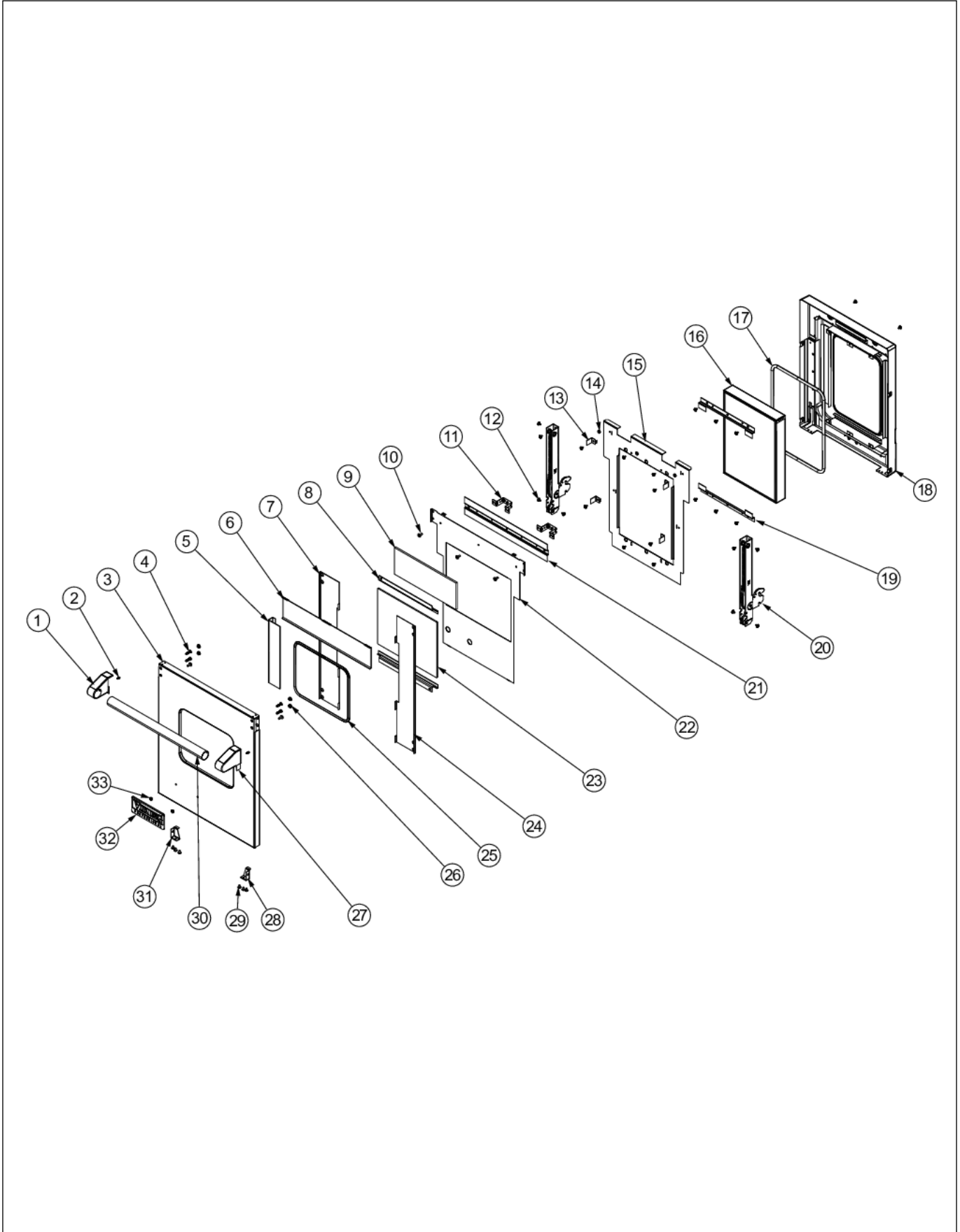
GRILL ASSEMBLY





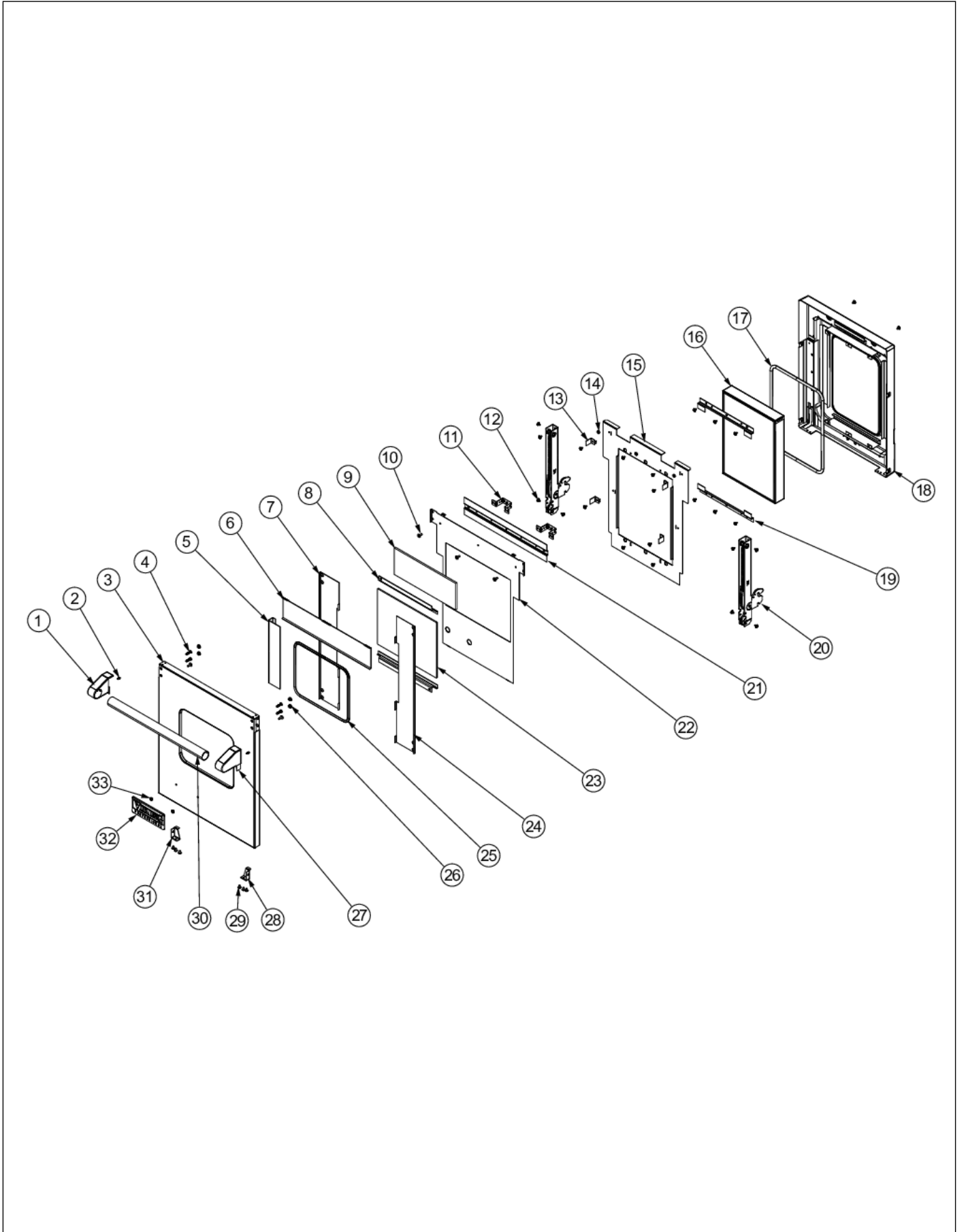
Item	Part No.	Name	Qty	Uom	NOTES
1	010168-000	CUSTOM RANGE GRILL GRATE	1	EA	
2	PA020028	SPARK IGNITER	1	EA	
3	007878-000	BURNER, GRIL, ASM	1	EA	
NI	012460-000	BURNER, GRILL, ASM, LP CUSTOM RANGES	1	EA	
4	008636-000	BRACKET, BURNER, GRILL, REAR	1	EA	
5	E9101130BK	GRILL SMOKE GENERATOR	2	EA	
6	013593-000	PAN, DRIP, ASM, RIGHT	1	EA	
7	PB020111	3/8 SS FLEX TUBING - 27" T6- 27	1	EA	
8	016794-000	SHIELD, HEAT, REAR, Q MODELS	1	EA	
9	016793-000	SHIELD, HEAT, RH, Q MODELS	1	EA	
10	008286-000	BRACKET, DRIP, PAN, CUSTOM, Q-MODELS	2	EA	
11	J2101749	GREASE PAN	1	EA	
12	003860-000	10-18 x .500 FASTNR, SCR, HXWH, STL, ZPLT	16	EA	
13	016796-000	SHIELD, HEAT, FR, Q MODELS	1	EA	
14	016792-000	SHIELD, HEAT, LH, Q MODELS	1	EA	
15	PB040213	3/8" COMPRESSION NUT (DGCU)	1	EA	
16	PB040192	3/8" CC FERREL (DGCU)	1	EA	
17	PB020192	10" FLEX TUBING W/CONNECTORS	1	EA	
18	007776-000	MOUNT, GRILL, BURNER, FRONT	1	EA	
19	PB040238	90 DEGREE ORIFICE FITTING, NAT #47	1	EA	
20	013595-000	PAN, DRIP, ASM, LEFT	1	EA	

LH DOOR ASSEMBLY

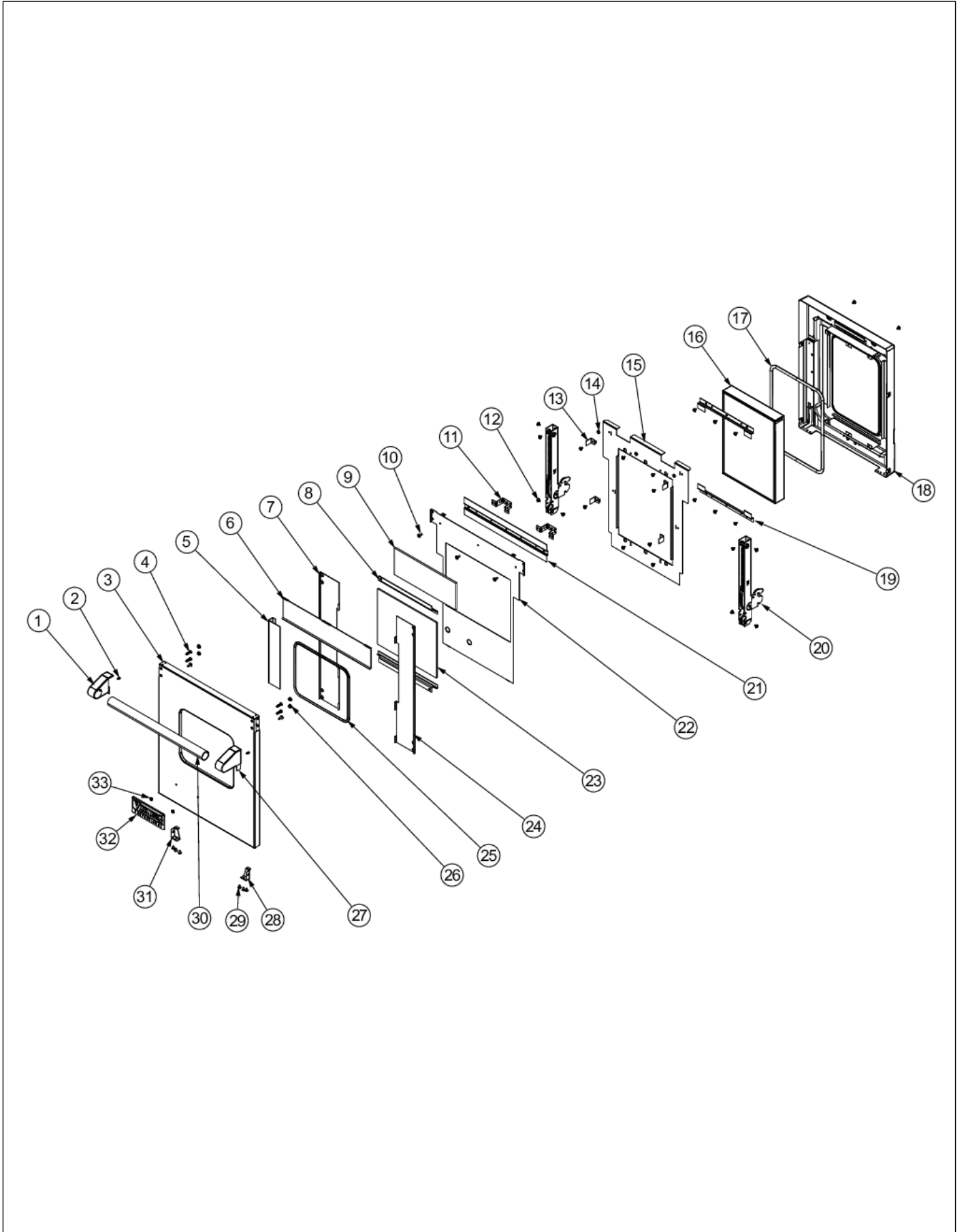




Item	Part No.	Name	Qty	Uom	NOTES
1	003011-000	DOOR HANDLE ENDCAP ASSY, LH (CHROME)	1	EA	
1	003011-100	DOOR HANDLE ENDCAP ASSY, LH (BRASS)	1	EA	
2	003650-000	SET SCREW	2	EA	Not available online / Call for pricing and availability
3	006213-000	DOOR SKIN, 18" STAINLESS	1	EA	
3	012304-002	DOOR, SKIN, BK	1	EA	NOT FIELD REPLACEABLE
3	012304-003	DOOR, SKIN, BT	1	EA	
3	012304-004	DOOR, SKIN, SG	1	EA	
3	012304-005	DOOR, SKIN, GG	1	EA	
3	012304-006	DOOR, SKIN, WH	1	EA	
3	012304-008	DOOR, SKIN, VDSC18" BU	1	EA	Not available online / Call for pricing and availability
3	012304-009	DOOR, SKIN, LE	1	EA	
3	012304-010	DOOR, SKIN, MJ	1	EA	
3	012304-012	DOOR, SKIN, VB	1	EA	
3	012304-013	DOOR, SKIN, CB	1	EA	
3	012304-015	DOOR, SKIN, PL	1	EA	Not available online / Call for pricing and availability
3	012304-016	DOOR, SKIN, CH	1	EA	
3	012304-017	DOOR, SKIN, TP	1	EA	
3	012304-018	DOOR, SKIN, CW NLA	1	EA	
3	012304-019	DOOR, SKIN, OG	1	EA	
3	012304-020	DOOR, SKIN, GM	1	EA	
3	012304-021	DOOR, SKIN, SA	1	EA	
3	012304-022	DOOR, SKIN, SE	1	EA	
3	012304-023	DOOR, SKIN, IB	1	EA	Not available online / Call for pricing and availability
3	012304-024	DOOR SKIN, VDSC18", AR	1	EA	
3	012304-025	DOOR, SKIN, RR	1	EA	

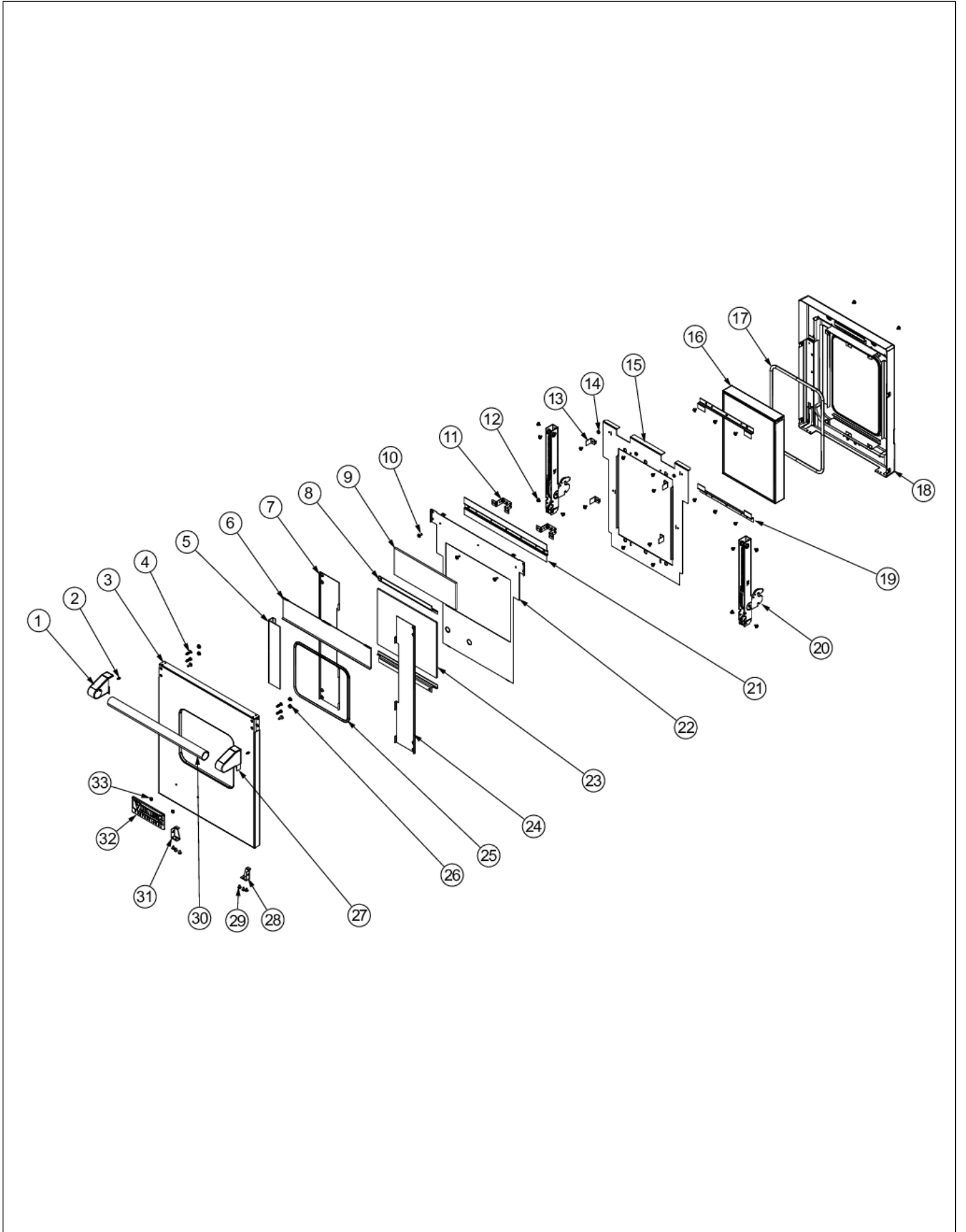


Item	Part No.	Name	Qty	Uom	NOTES
3	012304-026	DOOR, SKIN, PM	1	EA	
3	012304-027	DOOR, SKIN, MS	1	EA	
4	030823-000	#10-32 PAN HEAD PHILLIPS MACHINE SCREW	1	EA	
5	011178-000	DOOR, SINK, LH, AL	1	EA	
6	006219-000	DOOR, SINK, AL	1	EA	
7	009428-000	BRACKET, DOOR, RH	1	EA	
8	020437-000	WINDOW HOLDER	2	EA	
9	006220-000	INSULATION, DOOR, SKIN, TOP, VDSC18"	1	EA	
10	PD020033	SRW #10-24 X 1/2" T (23) PH WFR HD (NKL)	2	EA	
11	A21014003	DOOR LINER MTG. BRKT.	1	EA	
12	PD020063	SCREW-#8(A) X 3/8"PH WFR HD/BK OXID	24	EA	
13	009426-000	STANDOFF, BRACKET, DOOR, LINER, VDSC18"	4	EA	
14	PD030010	#10-24 KEPS NUT ZINC PLATED	1	EA	
15	006209-000	DOOR LINER INSULATION RETAINER, 18"	1	EA	
16	005300-000	GLASS, WINDOW PACK, 18"	1	EA	
17	000594-000	BLACK FIBERGLASS ROPE 3/8	1	EA	
18	002709-000	DOOR LINER WELDED ASM, VDSC18	1	EA	
Not Shown	NOTE	(BEFORE 12/20/12)		EA	
18	002709-402	LINER, DOOR, WLD, ASSY 18" BK	1	EA	
Not Shown	NOTE	(ON OR AFTER 12/20/12)		EA	
19	006207-000	DOOR GLASS HOLDER BRACKET, 18 DOOR	2	EA	
20	008276-000	HINGE, DOOR	1	EA	
21	006224-000	BRACKET, DOOR, MT, VDSC 18"	1	EA	
22	006222-000	DOOR SKIN INSULATION RETAINER 18"	1	EA	
23	006218-000	DOOR, GLASS, OUTER 18"	1	EA	
24	009427-000	BRACKET, DOOR, LH	1	EA	



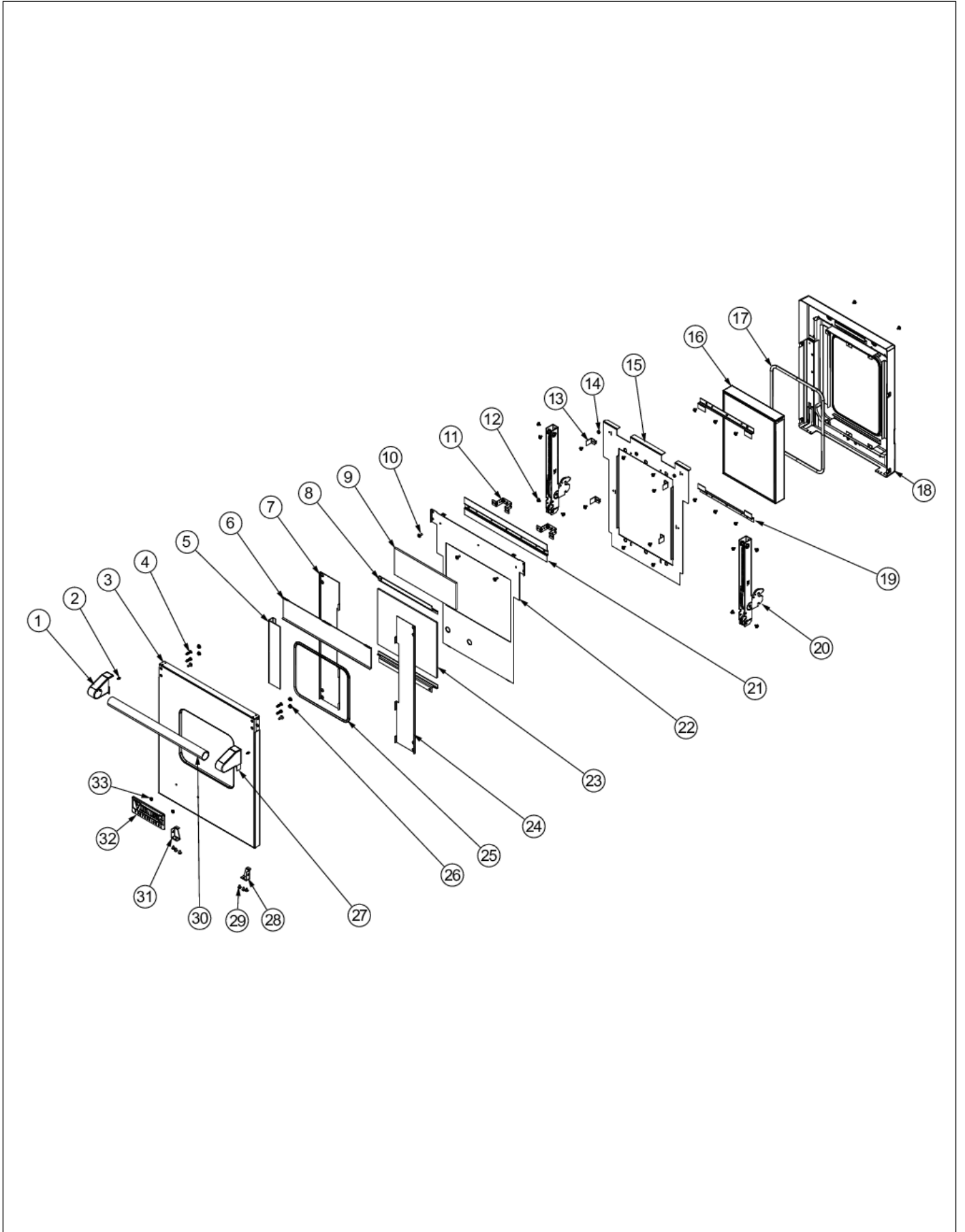


Item	Part No.	Name	Qty	Uom	NOTES
25	006214-000	DOOR, SKIN, J-MOLD, VDSC 18", CHROME	1	EA	
26	004907-000	STEEL FINISHING PLUG, NICKEL PLTD 25/64" HOLE	2	EA	
27	003012-000	DOOR HANDLE ENDCAP ASSY, RH (CHROME)	1	EA	
27	003012-100	DOOR HANDLE ENDCAP ASSY, RH (BRASS) - NLA	1	EA	
28	006807-000	HINGE, BRACKET, RH	1	EA	
29	PD020032	SRW-8(A)X3/8"PH.WFR HD 7/16DIA*NICL	6	EA	
30	006221-000	18" DOOR HANDLE, SST	1	EA	
31	006808-000	HINGE, BRACKET, LH	1	EA	
32	PE010030	LOGO	1	EA	
32	PE010068	LOGO 6" (VGRC) BK/BR	1	EA	
33	PD030006	CAPPED WASHER PAL NUT	2	EA	
NI	023353-000	SRV DOOR SKIN KIT, VDSC548, LH,SS	1	EA	
NI	021308-002	LH DOOR SKIN SRV ASM - BK	1	EA	
NI	021308-003	LH DOOR SKIN SRV ASM - BT	1	EA	
NI	021308-004	LH DOOR SKIN SRV ASM - SG	1	EA	
NI	021308-005	LH DOOR SKIN SRV ASM - GG	1	EA	
NI	021308-006	LH DOOR SKIN SRV ASM - WH	1	EA	
NI	021308-008	LH DOOR SKIN SRV ASM - BU	1	EA	
NI	021308-009	LH DOOR SKIN SRV ASM - LE	1	EA	
NI	021308-010	LH DOOR SKIN SRV ASM - MJ	1	EA	Not available online / Call for pricing and availability
NI	021308-012	LH DOOR SKIN SRV ASM - VB	1	EA	
NI	021308-013	LH DOOR SKIN SRV ASM - CB	1	EA	
NI	021308-015	LH DOOR SKIN SRV ASM - PL	1	EA	
NI	021308-016	LH DOOR SKIN SRV ASM - CH	1	EA	
NI	021308-017	LH DOOR SKIN SRV ASM - TP	1	EA	
NI	021308-018	LH DOOR SKIN SRV ASM - CW NLA	1	EA	
NI	021308-019	LH DOOR SKIN SRV ASM - OG	1	EA	
NI	021308-020	LH DOOR SKIN SRV ASM - GM	1	EA	



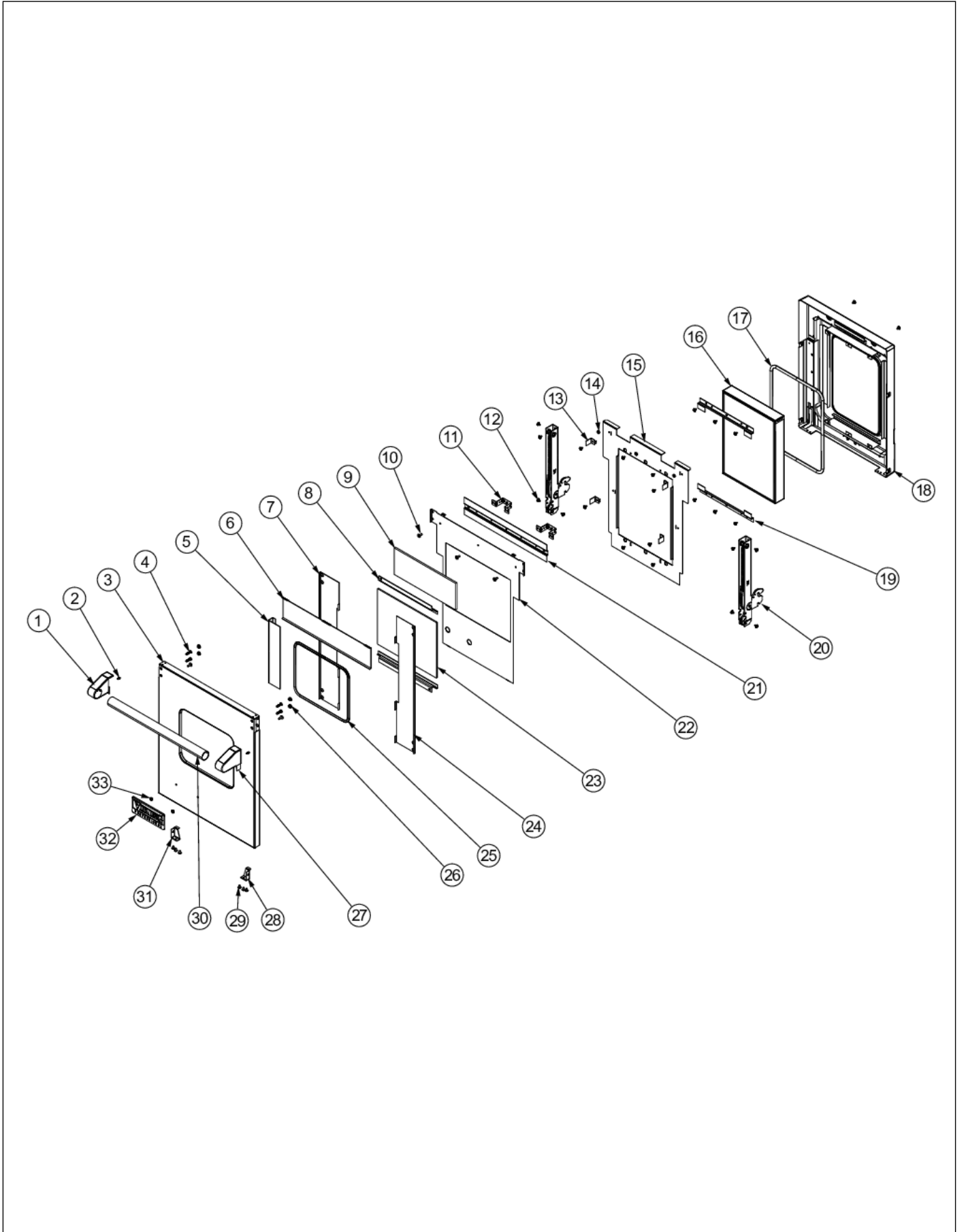


Item	Part No.	Name	Qty	Uom	NOTES
NI	021308-021	LH DOOR SKIN SRV ASM - SA	1	EA	
NI	021308-022	LH DOOR SKIN SRV ASM - SE	1	EA	
NI	021308-023	LH DOOR SKIN SRV ASM - IB	1	EA	
NI	021308-024	LH DOOR SKIN SRV ASM - AR	1	EA	
NI	021308-025	LH DOOR SKIN SRV ASM - RR	1	EA	
NI	021308-026	LH DOOR SKIN SRV ASM - PM	1	EA	Not available online / Call for pricing and availability
NI	021308-027	LH DOOR SKIN SRV ASM - MS	1	EA	
NI	023353-100	DOOR SKIN ASSY, LH, SS/BR	1	EA	Not available online / Call for pricing and availability
NI	021308-102	DOOR SKIN ASSY, LH, BK/BR	1	EA	Not available online / Call for pricing and availability
NI	021308-103	DOOR SKIN ASSY, LH, BT/BR	1	EA	Not available online / Call for pricing and availability
NI	021308-104	DOOR SKIN ASSY, LH, SG/BR	1	EA	Not available online / Call for pricing and availability
NI	021308-105	DOOR SKIN ASSY, LH, GG/BR	1	EA	Not available online / Call for pricing and availability
NI	021308-106	DOOR SKIN ASSY, LH, WH/BR	1	EA	Not available online / Call for pricing and availability
NI	021308-108	DOOR SKIN ASSY, LH, BU/BR	1	EA	Not available online / Call for pricing and availability
NI	021308-109	DOOR SKIN ASSY, LH, LE/BR	1	EA	Not available online / Call for pricing and availability
NI	021308-110	DOOR SKIN ASSY, LH, MU/BR	1	EA	Not available online / Call for pricing and availability

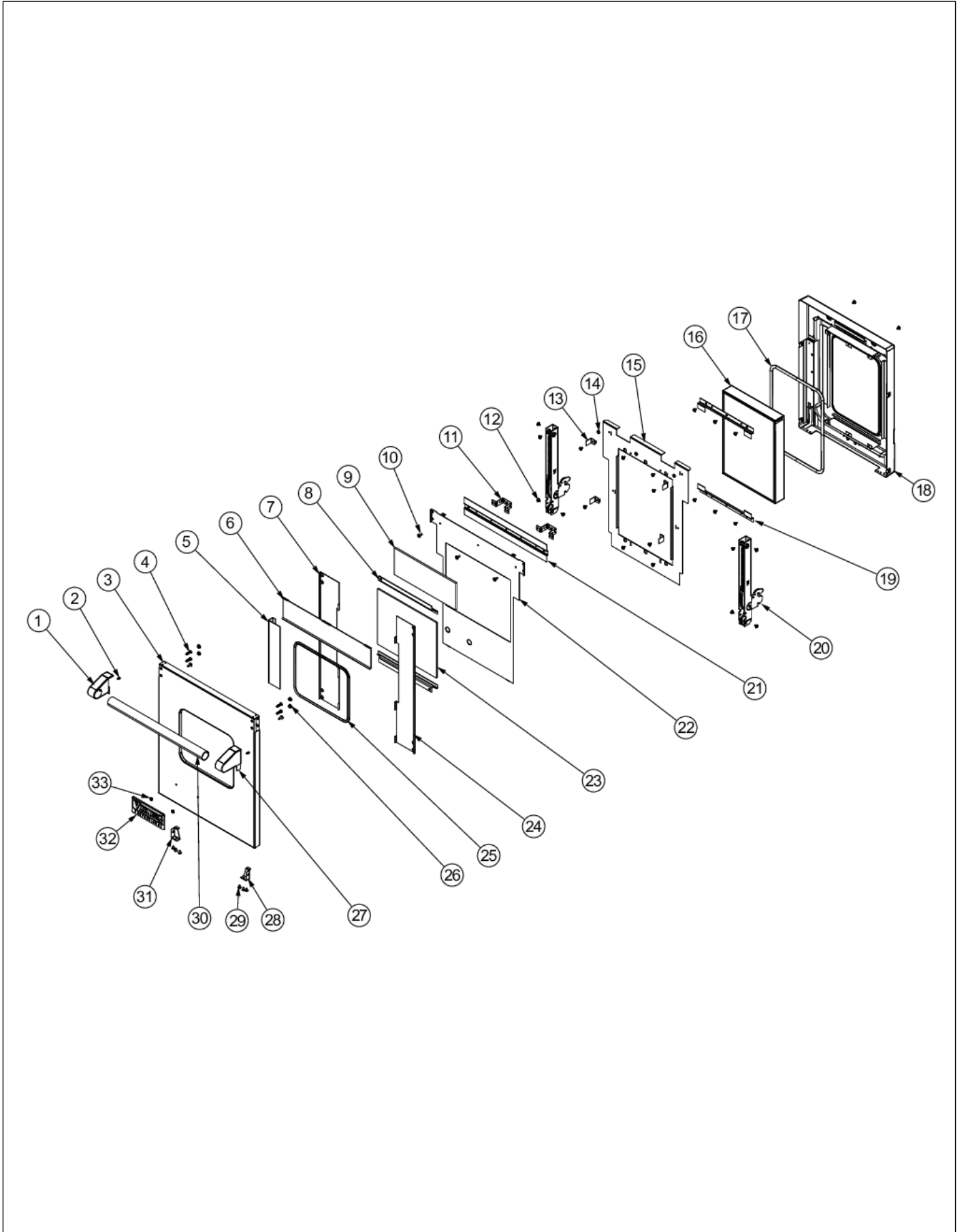




Item	Part No.	Name	Qty	Uom	NOTES
NI	021308-112	DOOR SKIN ASSY, LH, VB/BR	1	EA	Not available online / Call for pricing and availability
NI	021308-113	DOOR SKIN ASSY, LH, CB/BR	1	EA	Not available online / Call for pricing and availability
NI	021308-115	DOOR SKIN ASSY, LH, PL/BR	1	EA	Not available online / Call for pricing and availability
NI	021308-116	DOOR SKIN ASSY, LH, CH/BR	1	EA	Not available online / Call for pricing and availability
NI	021308-117	DOOR SKIN ASSY, LH, TP/BR	1	EA	Not available online / Call for pricing and availability
NI	021308-118	DOOR SKIN ASSY, LH, CW/BR	1	EA	Not available online / Call for pricing and availability
NI	021308-119	DOOR SKIN ASSY, LH, OG/BR	1	EA	Not available online / Call for pricing and availability
NI	021308-120	DOOR SKIN ASSY, LH, GM/BR	1	EA	Not available online / Call for pricing and availability
NI	021308-121	DOOR SKIN ASSY, LH, SA/BR	1	EA	Not available online / Call for pricing and availability
NI	021308-122	DOOR SKIN ASSY, LH, SE/BR	1	EA	Not available online / Call for pricing and availability
NI	021308-123	DOOR SKIN ASSY, LH, IB/BR	1	EA	Not available online / Call for pricing and availability
NI	021308-124	DOOR SKIN ASSY, LH, AR/BR	1	EA	Not available online / Call for pricing and availability
NI	021308-125	DOOR SKIN ASSY, LH, RR/BR	1	EA	Not available online / Call for pricing and availability



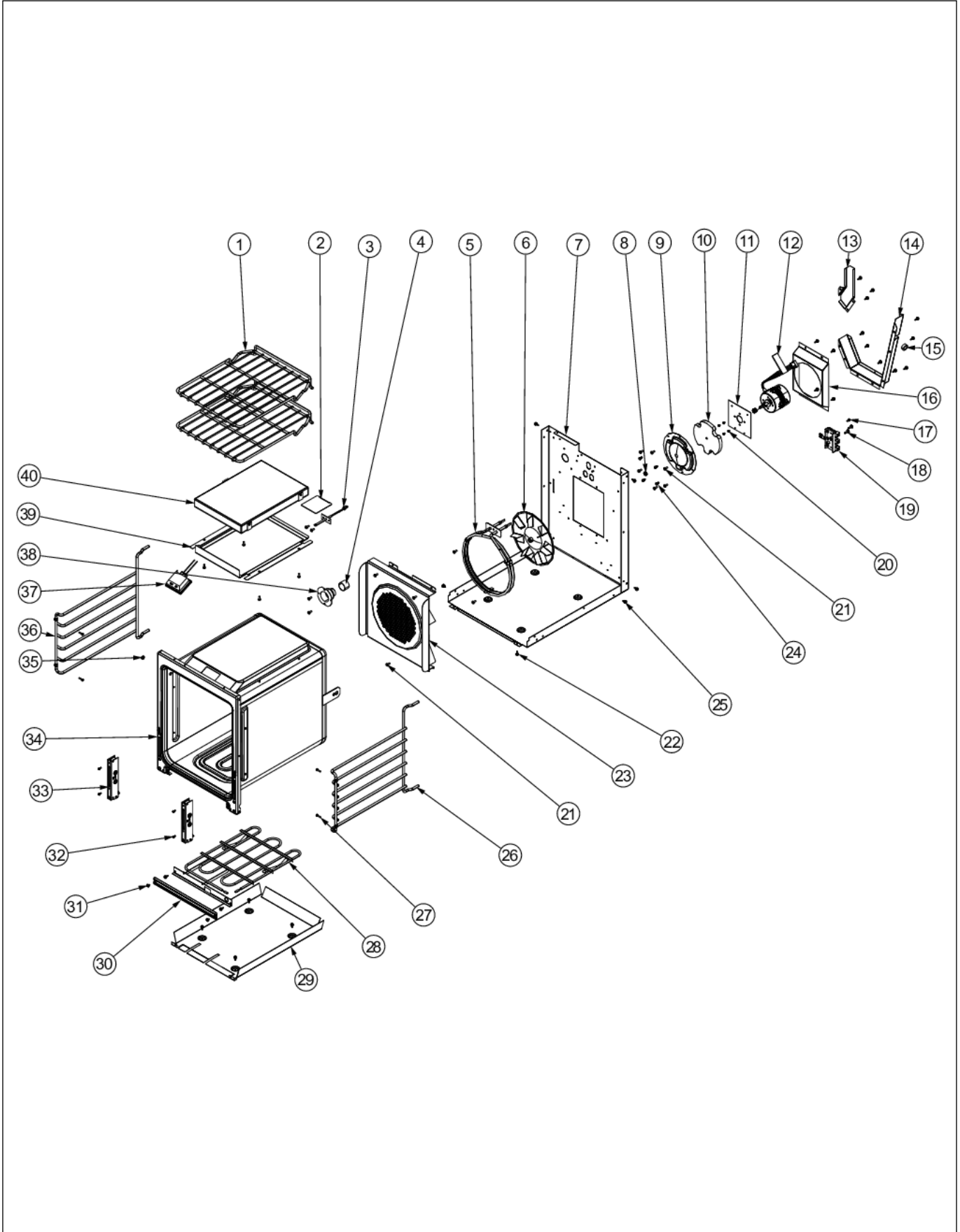
Item	Part No.	Name	Qty	Uom	NOTES
NI	021308-126	DOOR SKIN ASSY, LH, PM/BR	1	EA	Not available online / Call for pricing and availability
NI	021308-127	DOOR SKIN ASSY, LH, MS/BR	1	EA	Not available online / Call for pricing and availability
NI	006227-000	DOOR, ASM - SS	1	EA	
NI	013357-002	DOOR, ASM - BK	1	EA	Not available online / Call for pricing and availability
NI	013357-003	DOOR, ASM - BT	1	EA	
NI	013357-004	DOOR, ASM - SG	1	EA	
NI	013357-005	DOOR, ASM - GG	1	EA	
NI	013357-006	DOOR, ASM - WH	1	EA	
NI	013357-008	DOOR, ASM - BU	1	EA	
NI	013357-009	DOOR, ASM - LE	1	EA	
NI	013357-010	DOOR, ASM - MJ	1	EA	Not available online / Call for pricing and availability
NI	013357-012	DOOR, ASM - VB	1	EA	
NI	013357-013	DOOR, ASM - CB	1	EA	
NI	013357-015	DOOR, ASM - PL	1	EA	
NI	013357-016	DOOR, ASM - CH	1	EA	
NI	013357-017	DOOR, ASM - TP	1	EA	
NI	013357-018	DOOR, ASM - CW NLA	1	EA	
NI	013357-019	DOOR, ASM - OG	1	EA	
NI	013357-020	DOOR, ASM - GM	1	EA	
NI	013357-021	DOOR, ASM - SA	1	EA	
NI	013357-022	DOOR, ASM - SE	1	EA	
NI	013357-023	DOOR, ASM - IB	1	EA	
NI	013357-024	DOOR, ASM - AR	1	EA	
NI	013357-025	DOOR, ASM - RR	1	EA	
NI	013357-026	DOOR, ASM - PM	1	EA	
NI	013357-027	DOOR, ASM - MS	1	EA	
NI	006227-100	DOOR, ASM - BR, SS	1	EA	





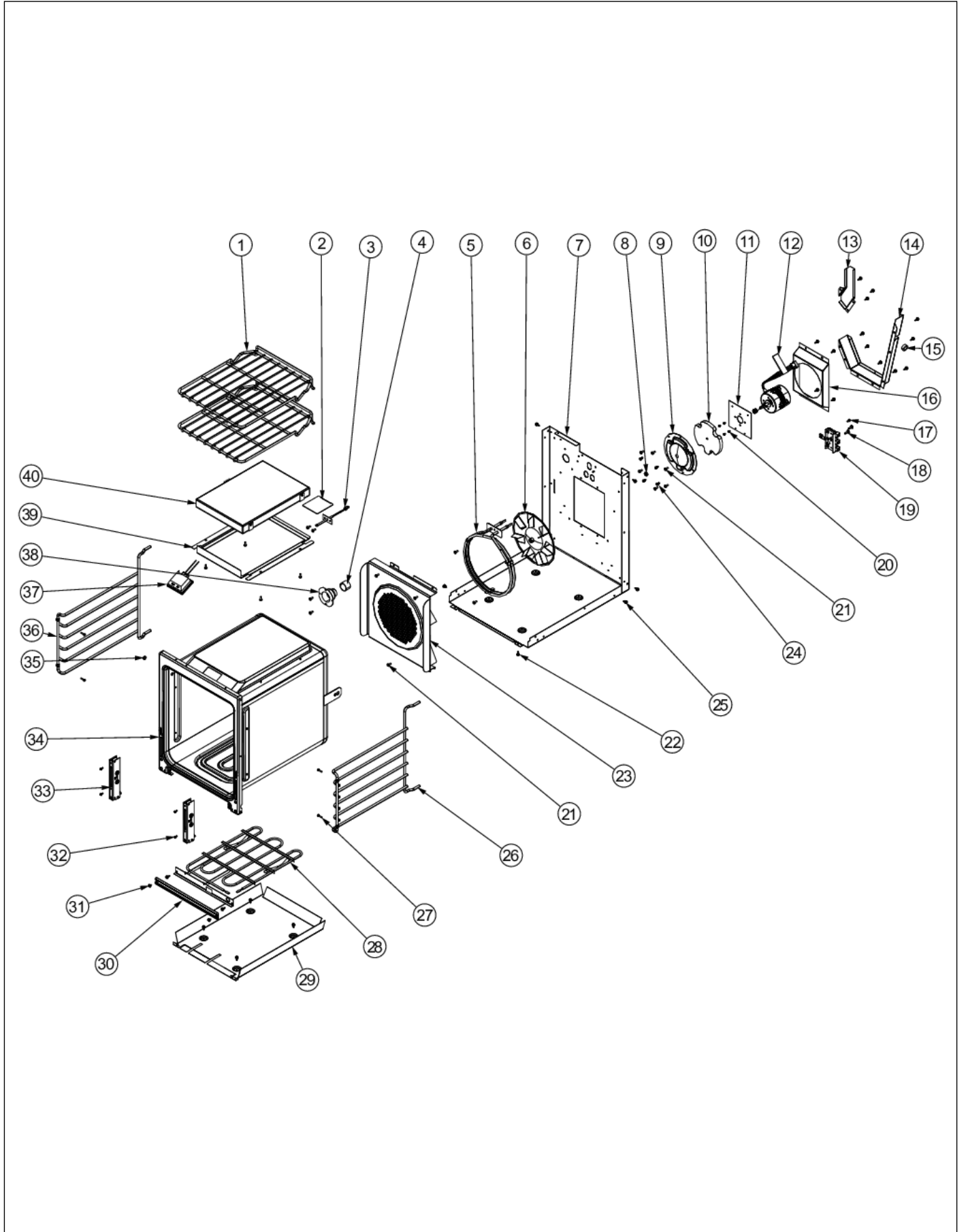
Item	Part No.	Name	Qty	Uom	NOTES
NI	013357-102	DOOR, ASM - BR, BK	1	EA	
NI	013357-103	DOOR, ASM - BR, BT	1	EA	
NI	013357-104	DOOR, ASM - BR, SG	1	EA	
NI	013357-105	DOOR, ASM - BR, GG	1	EA	
NI	013357-106	DOOR, ASM - BR, WH	1	EA	
NI	013357-108	DOOR, ASM - BR, BU	1	EA	
NI	013357-109	DOOR, ASM - BR, LE	1	EA	
NI	013357-110	DOOR, ASM - BR, MJ	1	EA	Not available online / Call for pricing and availability
NI	013357-112	DOOR, ASM - BR, VB	1	EA	
NI	013357-113	DOOR, ASM - BR, CB	1	EA	
NI	013357-115	DOOR, ASM - BR, PL	1	EA	
NI	013357-116	DOOR, ASM - BR, CH	1	EA	
NI	013357-117	DOOR, ASM - BR, TP	1	EA	
NI	013357-118	DOOR, ASM - BR, CW	1	EA	
NI	013357-119	DOOR, ASM - BR, OG	1	EA	
NI	013357-120	DOOR, ASM - BR, GM	1	EA	
NI	013357-121	DOOR, ASM - BR, SA	1	EA	
NI	013357-122	DOOR, ASM - BR, SE	1	EA	
NI	013357-123	DOOR, ASM - BR, IB	1	EA	
NI	013357-124	DOOR, ASM - BR, AR	1	EA	
NI	013357-125	DOOR, ASM - BR, RR	1	EA	
NI	013357-126	DOOR, ASM - BR, PM	1	EA	
NI	013357-127	DOOR, ASM - BR, MS	1	EA	

LH OVEN CAVITY





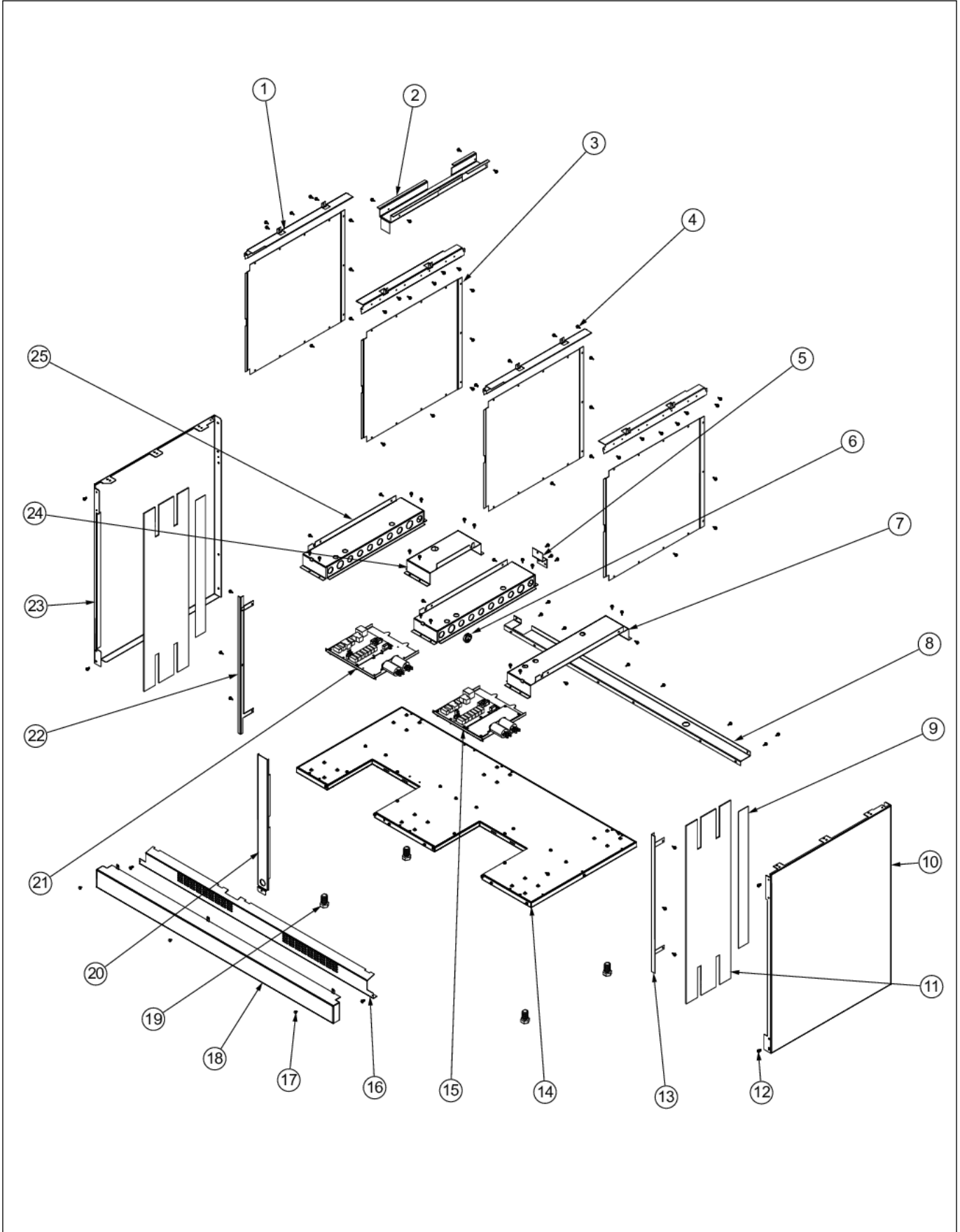
Item	Part No.	Name	Qty	Uom	NOTES
1	006379-000	OVEN, RACK, ASM, STANDARD, VDSC18	2	EA	
2	006203-000	SHIELD, RTD, VDSC18"	1	EA	
3	PE050206	RTD THERMOSTAT PROBE	1	EA	
4	PB020275	VENT TUBE	1	EA	
5	PJ010047	CONVECTION ELEMENT	1	EA	
6	PE050227	CONVECTION FAN BLADE ASSY	1	EA	
7	006160-000	OVEN, BACK, BOT, FLAT, VDSC18"	1	EA	
8	PD030149	5/16 NUT	1	EA	
9	023116-000	PLATE, MOUNTING, CONVECTION MOTOR	1	EA	
10	013550-000	CONV MOTOR MTG PLATE INSULATION	1	EA	
11	023116-000	PLATE, MOUNTING, CONVECTION MOTOR	1	EA	
12	005458-000	FAN, MOTOR, CONVECTION, VDSC18" OVEN	1	EA	
13	007441-000	EXHAUST, DUCT, REAR, VDSC18"	1	EA	
14	007248-000	BAFFLE, FAN, REAR, VDSC18"	1	EA	
15	PD040005	SNAP BUSHING - 7/8"	1	EA	
16	A2009697	BRACKET, CONVECTION INSULATION	1	EA	
17	PD020010	10 X 3/8 GREEN GROUNDING SCREW	1	EA	
18	PD020014	10X3/4 PH TR HD SMS	2	EA	
19	PE070147	TERMINAL BLOCK (VDSC)	1	EA	
20	PD010028	BOLT M4X5	4	EA	
21	PD020048	NO.10 X 1/2 TEK 410 SS SCREW	19	EA	
22	003860-000	10-18 x .500 FASTNR,SCR,HXWH,STL,ZPLT	24	EA	
23	006176-000	BAFFLE, CNVN, ASM, VDSC 18"	1	EA	
24	PD020055	' #10 X 1/2" PAN PHIL. TEK.*SS*	4	EA	
25	014143-000	SCR 10-12 A SHLD TRP 1/2 S ZN BLUE	2	EA	



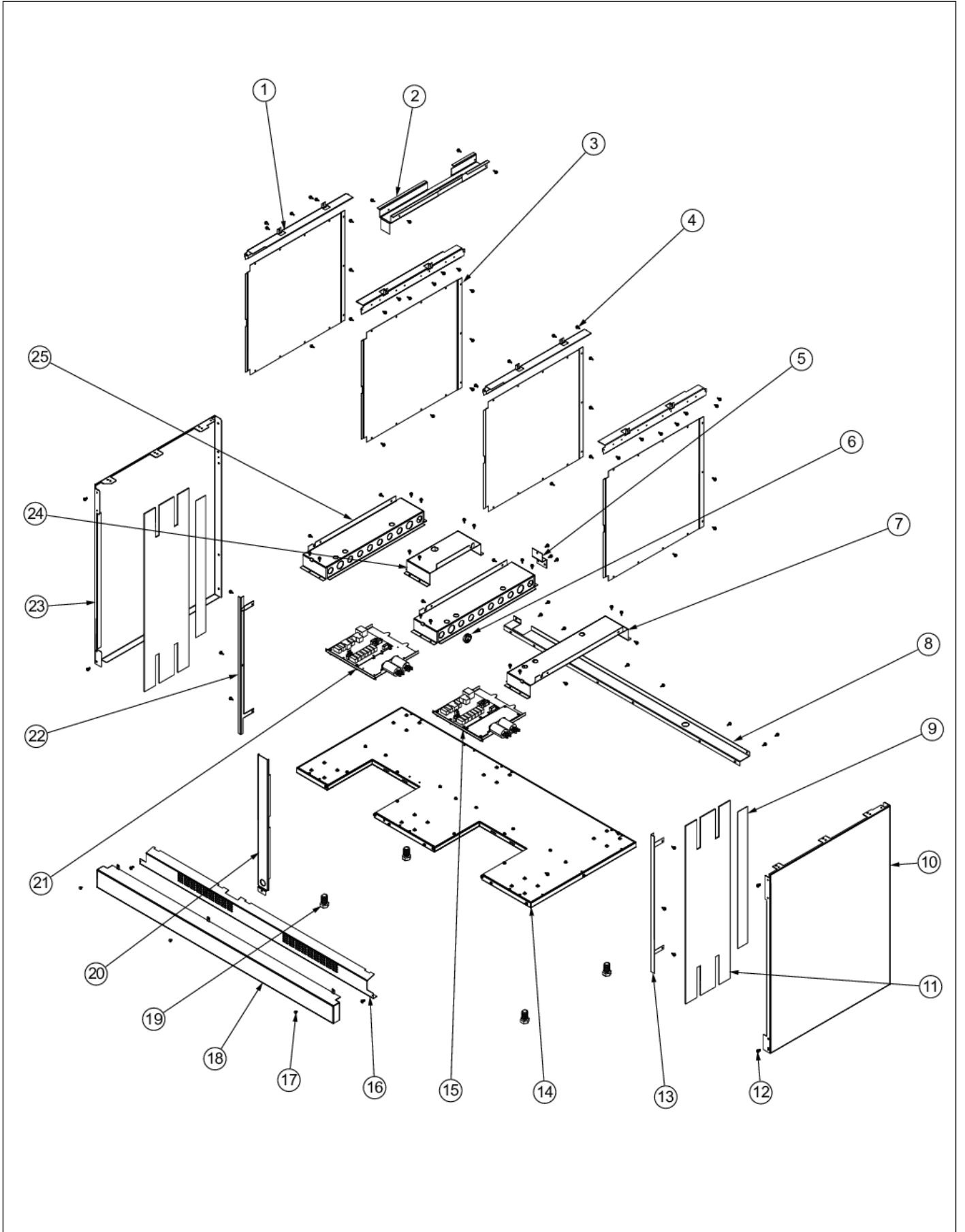


Item	Part No.	Name	Qty	Uom	NOTES
26	066478-402	SUPPORT, RACK, RHS, PORCELAIN	1	EA	
27	PD020232	#8 X 3/4" PH PAN HEAD TEK SCREW (BLACK OXIDE)	4	EA	
28	006166-000	ELEMENT, BAKE, VDSC18"	1	EA	
29	006163-000	ELEMENT, MTG, FLAT, TRAY, VDSC18"	1	EA	
30	003490-000	COVER, BAKE, 18"	1	EA	
31	PD020063	SCREW-#8(A) X 3/8" PH WFR HD/BK OXID	2	EA	
32	PD020062	#8-32 X 3/8 PHMS TYPE 1	4	EA	
33	031679-000	RECEPTACLE, HINGE	2	EA	
34	NON-SERVICEABLE	OVEN, CVTY, ASM, VDSC 18"	1	EA	
35	E91014053	PORCELAIN 25/64" HOLE PLUG	1	EA	Not available online / Call for pricing and availability
36	066479-402	SUPPORT, RACK, LHS, PORCELAIN	1	EA	
37	020403-000	LAMP, OVEN, 120V/40W	1	EA	
38	PM010014	SMOKE ELIMINATOR (VDSC)	1	EA	
39	006748-000	BRACKET, SST, 201HP, MILL, VD SC18", GLASS BROILER	1	EA	
40	006380-000	ELEMENT, GLASS, BROILER, 18"	1	EA	
NI	007278-000	ARM HINGE CLIP	2	EA	
Not Shown	NOTE	(BEFORE 01/02/13)		EA	
NI	049718-402	CLIP, RETAINER, HINGE, GLOSS BLACK ENAMEL	2	EA	
Not Shown	NOTE	(AFTER 01/02/13)		EA	

LOWER UNIT AND SIDE PANEL

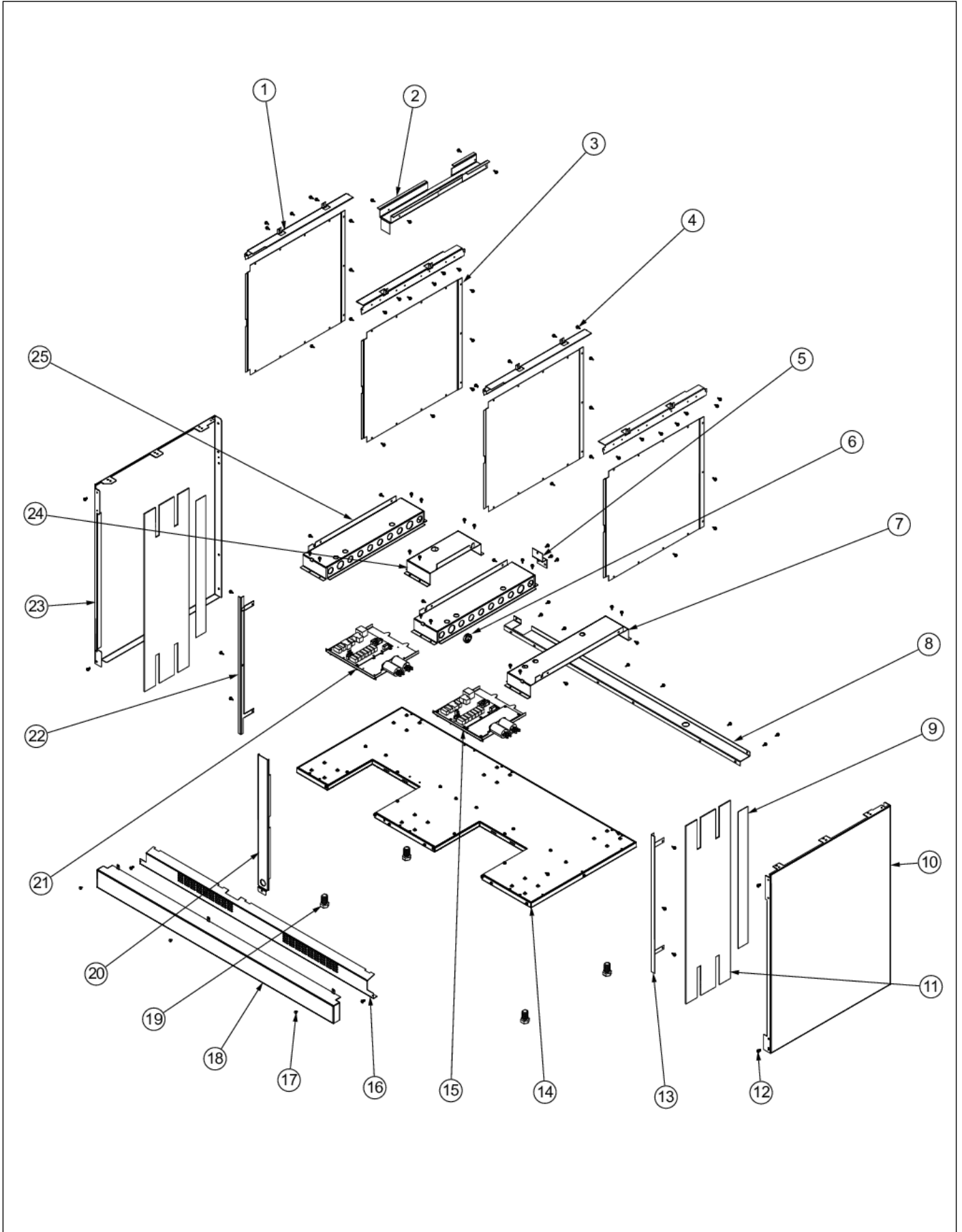


Item	Part No.	Name	Qty	Uom	NOTES
1	A2009641	BRKT, TOP WRAPPER	3	EA	
2	006749-000	CONNECTOR, BRKT, CTR, VDSC548	1	EA	
3	014137-000	WRAPPER, OVEN SIDE	4	EA	
4	003860-000	10-18 x .500 FASTNR, SCR, HXWH, STL, ZPLT	80	EA	
5	013787-000	BRACKET, MTG, REAR, OVEN CAVITY	1	EA	
6	PD040152	SNAP BUSHING	1	EA	
7	NON-SERVICEABLE	OVEN MODULE SUPPORT CHANNEL, RH	1	EA	
8	006158-000	RANGE BASE, BACK, VDSC 48"	1	EA	
9	M0275166	TAPE-ALUM SL	2	EA	
10	002905-000	SIDE PANEL, RH	1	EA	
10	005503-002	SIDE PANEL, RH ASSY, PAINTED BK	1	EA	
10	005503-003	SIDE PANEL, RH ASSY, PAINTED BT	1	EA	
10	005503-004	SIDE PANEL, RH ASSY, PAINTED SG	1	EA	
10	005503-005	SIDE PANEL, RH ASSY, PAINTED GG	1	EA	
10	005503-006	SIDE PANEL, RH ASSY, PAINTED WH	1	EA	
10	005503-008	SIDE PANEL, RH ASSY, PAINTED BU	1	EA	
10	005503-009	SIDE PANEL, RH ASSY, PAINTED LE	1	EA	
10	005503-010	SIDE PANEL, RH ASSY, PAINTED MJ	1	EA	
10	005503-012	SIDE PANEL, RH ASSY, PAINTED VB	1	EA	
10	005503-013	SIDE PANEL, RH ASSY, PAINTED CB	1	EA	
10	005503-015	SIDE PANEL, RH ASSY, PAINTED PL	1	EA	
10	005503-016	SIDE PANEL, RH ASSY, PAINTED CH	1	EA	
10	005503-017	SIDE PANEL, RH ASSY, PAINTED TP	1	EA	
10	005503-018	SIDE PANEL, RH ASSY, PAINTED CW	1	EA	



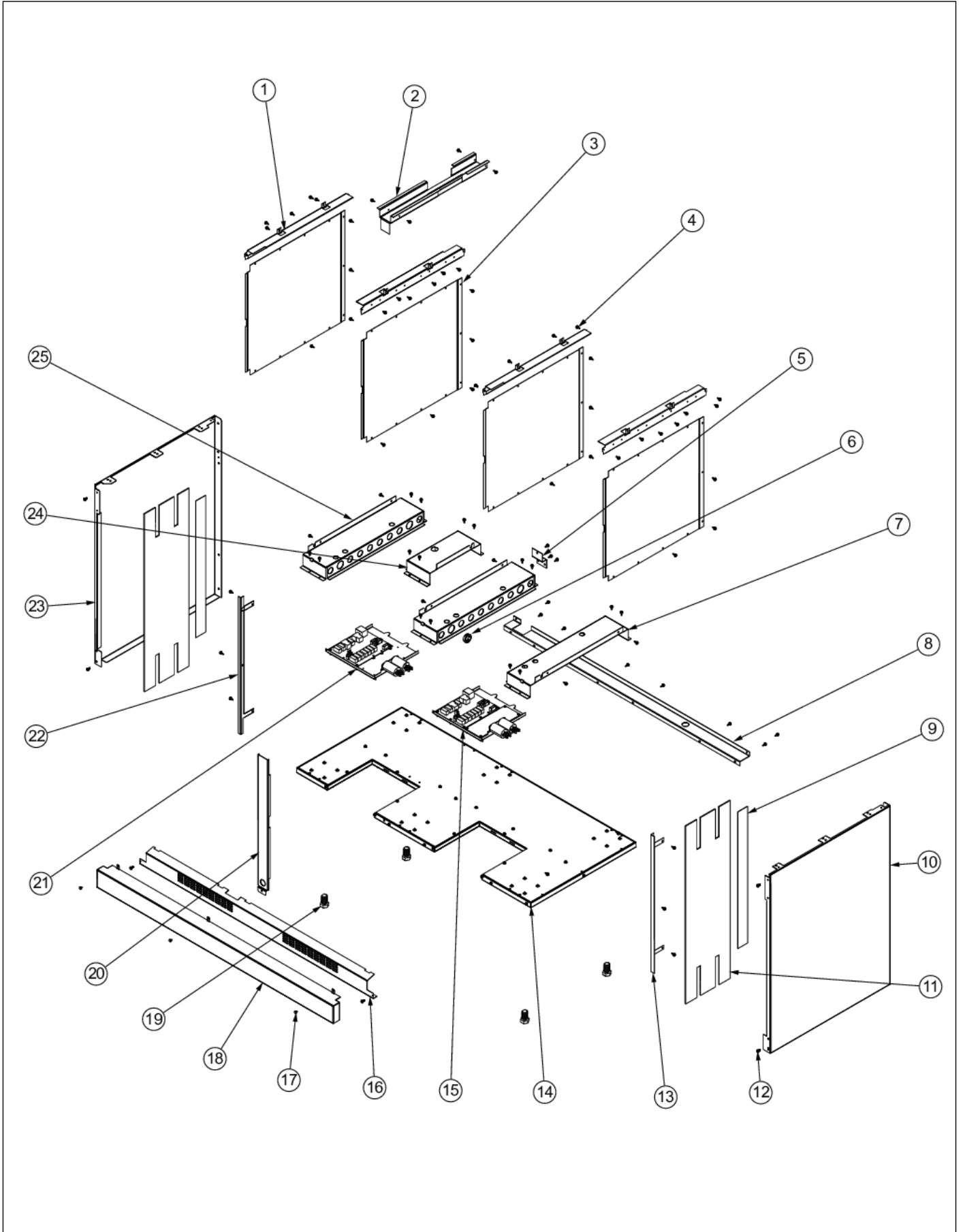


Item	Part No.	Name	Qty	Uom	NOTES
10	005503-019	SIDE PANEL, RH ASSY, PAINTED OG	1	EA	
10	005503-020	SIDE PANEL, RH ASSY, PAINTED GM	1	EA	
10	005503-021	SIDE PANEL, RH ASSY, PAINTED SA	1	EA	
10	005503-022	SIDE PANEL, RH ASSY, PAINTED SE	1	EA	
10	005503-023	SIDE PANEL, RH ASSY, PAINTED IB	1	EA	
10	005503-024	SIDE PANEL, RH ASSY, PAINTED AR	1	EA	
10	005503-025	SIDE PANEL, RH ASSY, PAINTED RR	1	EA	
10	005503-026	SIDE PANEL, RH ASSY, PAINTED PM	1	EA	
10	005503-027	SIDE PANEL, RH ASSY, PAINTED MS	1	EA	
11	007488-000	SINK, REAR, SIDE	2	EA	
12	003801-000	SHOULDER SCREW, #10	7	EA	
13	003644-000	TRIM,FRONT,SIDE,STAINLESS	1	EA	
14	NON-SERVICEABLE	RANGE, BASE, ASM, VDSC548	1	EA	
15	023003-000	PLATE, CNTRL BOARD, ASM, LPS2	1	EA	
15	046142-556	CONTROL, EOC4, LED, V39/V51 & FAMILY	1	EA	
16	051834-000	GRILL, ACS, LWR, 48"	1	EA	
17	PD020032	SRW-8(A)X3/8"PH.WFR HD 7/16DIA*NICL	3	EA	
18	006300-000	KICKPLATE,RNG,SST,VDSC548	1	EA	
18	038434-002	KICKPLATE, RNG, VDSC48" BK	1	EA	
18	038434-003	KICKPLATE, RNG, VDSC48" BT	1	EA	Not available online / Call for pricing and availability
18	038434-004	KICKPLATE, RNG, VDSC48" SG	1	EA	Not available online / Call for pricing and availability
18	038434-005	KICKPLATE, RNG, VDSC48" GG	1	EA	



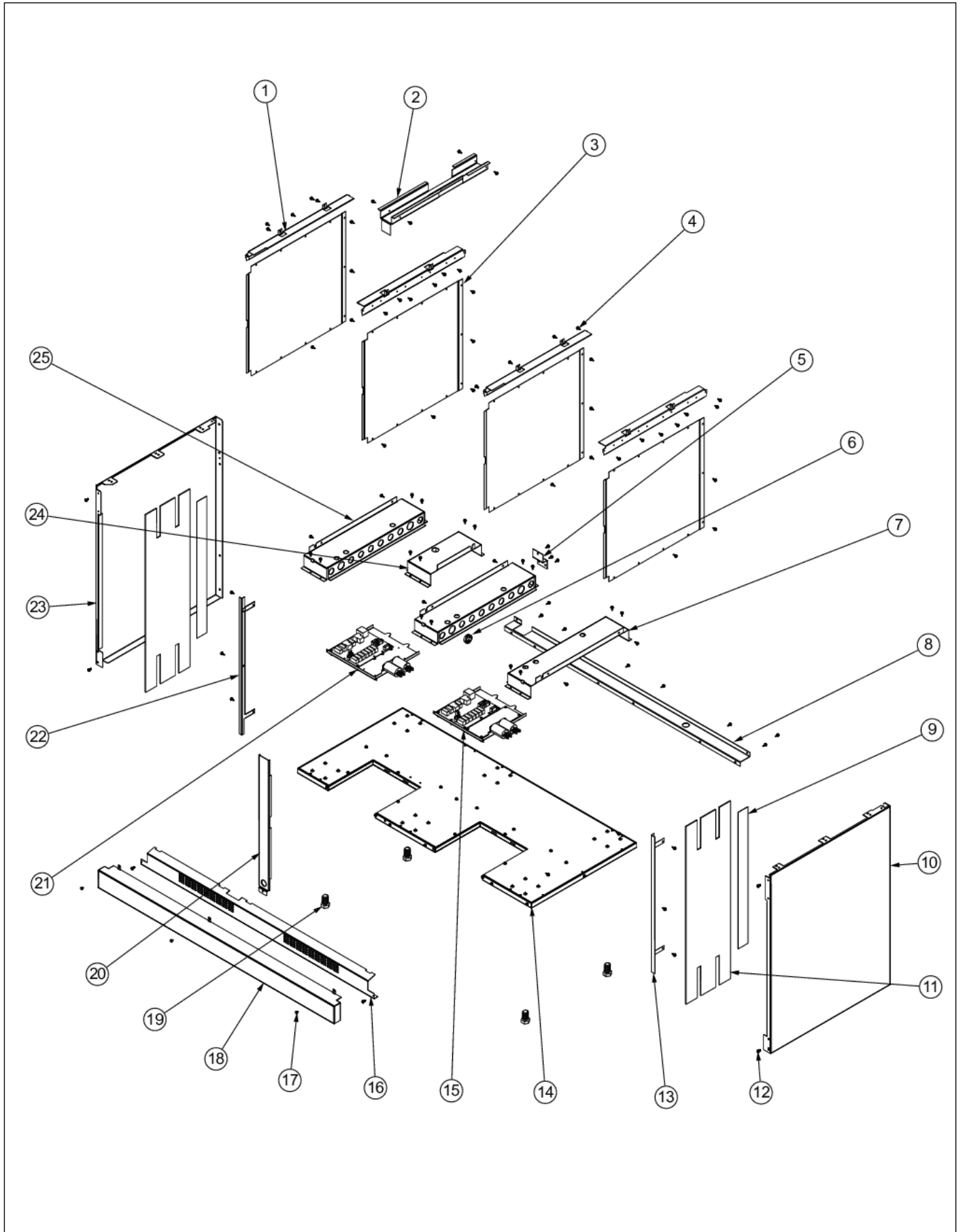


Item	Part No.	Name	Qty	Uom	NOTES
18	038434-006	KICKPLATE, RNG, VDSC48" WH	1	EA	Not available online / Call for pricing and availability
18	038434-008	KICKPLATE, RNG, VDSC48" BU	1	EA	
18	038434-009	KICKPLATE, RNG, VDSC48" LE	1	EA	Not available online / Call for pricing and availability
18	038434-010	KICKPLATE, RNG, VDSC48" MJ	1	EA	Not available online / Call for pricing and availability
18	038434-012	KICKPLATE, RNG, VDSC48" VB	1	EA	Not available online / Call for pricing and availability
18	038434-013	KICKPLATE, RNG, VDSC48" CB	1	EA	
18	038434-015	KICKPLATE, RNG, VDSC48" PL	1	EA	Not available online / Call for pricing and availability
18	038434-016	KICKPLATE, RNG, VDSC48" CH	1	EA	Not available online / Call for pricing and availability
18	038434-017	KICKPLATE, RNG, VDSC48" TP	1	EA	Not available online / Call for pricing and availability
18	038434-018	KICKPLATE, RNG, VDSC48" CW	1	EA	Not available online / Call for pricing and availability
18	038434-019	KICKPLATE, RNG, VDSC48" OG	1	EA	Not available online / Call for pricing and availability
18	038434-020	KICKPLATE, RNG, VDSC48" GM	1	EA	Not available online / Call for pricing and availability
18	038434-021	KICKPLATE, RNG, VDSC48" SA	1	EA	Not available online / Call for pricing and availability
18	038434-022	KICKPLATE, RNG, VDSC48" SE	1	EA	
18	038434-023	KICKPLATE, RNG, VDSC48" IB	1	EA	
18	038434-024	KICKPLATE, RNG, VDSC48" AR	1	EA	



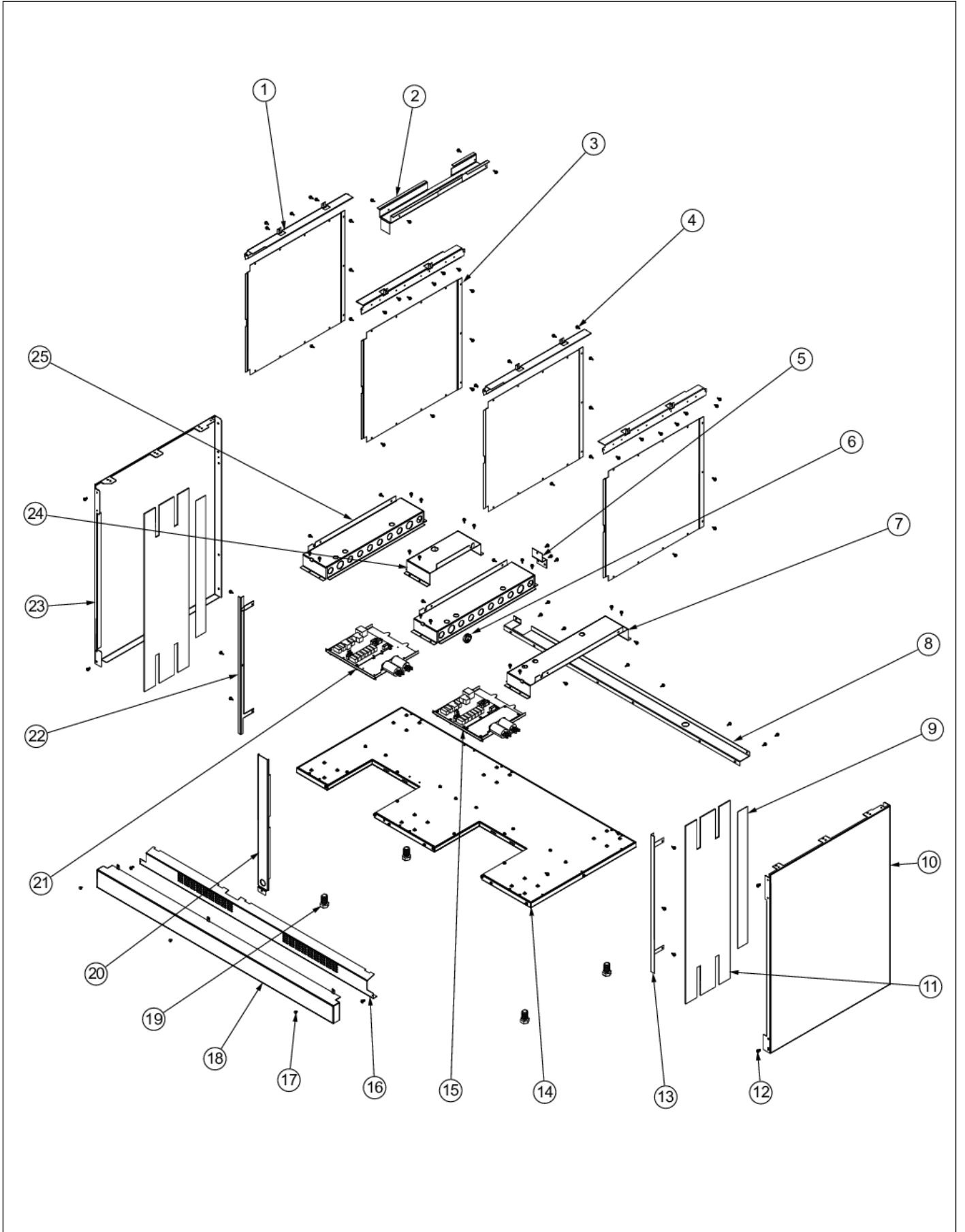


Item	Part No.	Name	Qty	Uom	NOTES
18	038434-025	KICKPLATE, RNG, VDSC48" RR	1	EA	Not available online / Call for pricing and availability
18	038434-026	KICKPLATE, RNG, VDSC48" PM	1	EA	Not available online / Call for pricing and availability
18	038434-027	KICKPLATE, RNG, VDSC48" MS	1	EA	Not available online / Call for pricing and availability
19	PD010022	HEX HD. BOLT - 3/4-10 X 1-1/4"	4	EA	
20	006750-000	RANGE, TRIM, CTR, VDSC548	1	EA	
21	020141-000	PLATE, MTG, ASM, CNRL, BOARD LH OVEN T-MODEL	1	EA	
Not Shown	NOTE	(BEFORE 09/15/14)		EA	
21	051533-000	PLATE, MTG, ASM, CNRL, BOARD LH OVEN	1	EA	
Not Shown	NOTE	(ON OR AFTER 09/15/14)		EA	
NI	046142-556	CONTROL, EOC4, LED, V39/V51 & FAMILY	1	EA	
22	010956-000	OVEN,TRIM,LH,SST,FLAT,VDS C548	1	EA	
23	006933-000	RANGE,PNL,SIDE,SST,LH, 0.562" FRONT FLANGE	1	EA	
23	013365-002	SIDE PANEL ASM, LH 48" BK	1	EA	Not available online / Call for pricing and availability
23	013365-003	SIDE PANEL ASM, LH 48" BT	1	EA	
23	013365-004	SIDE PANEL ASM, LH 48"-SG	1	EA	Not available online / Call for pricing and availability
23	013365-005	SIDE PANEL ASM, LH 48"-GG	1	EA	Not available online / Call for pricing and availability
23	013365-006	SIDE PANEL ASM, LH 48" WH	1	EA	
23	013365-008	SIDE PANEL ASM, LH 48" BU	1	EA	Not available online / Call for pricing and availability





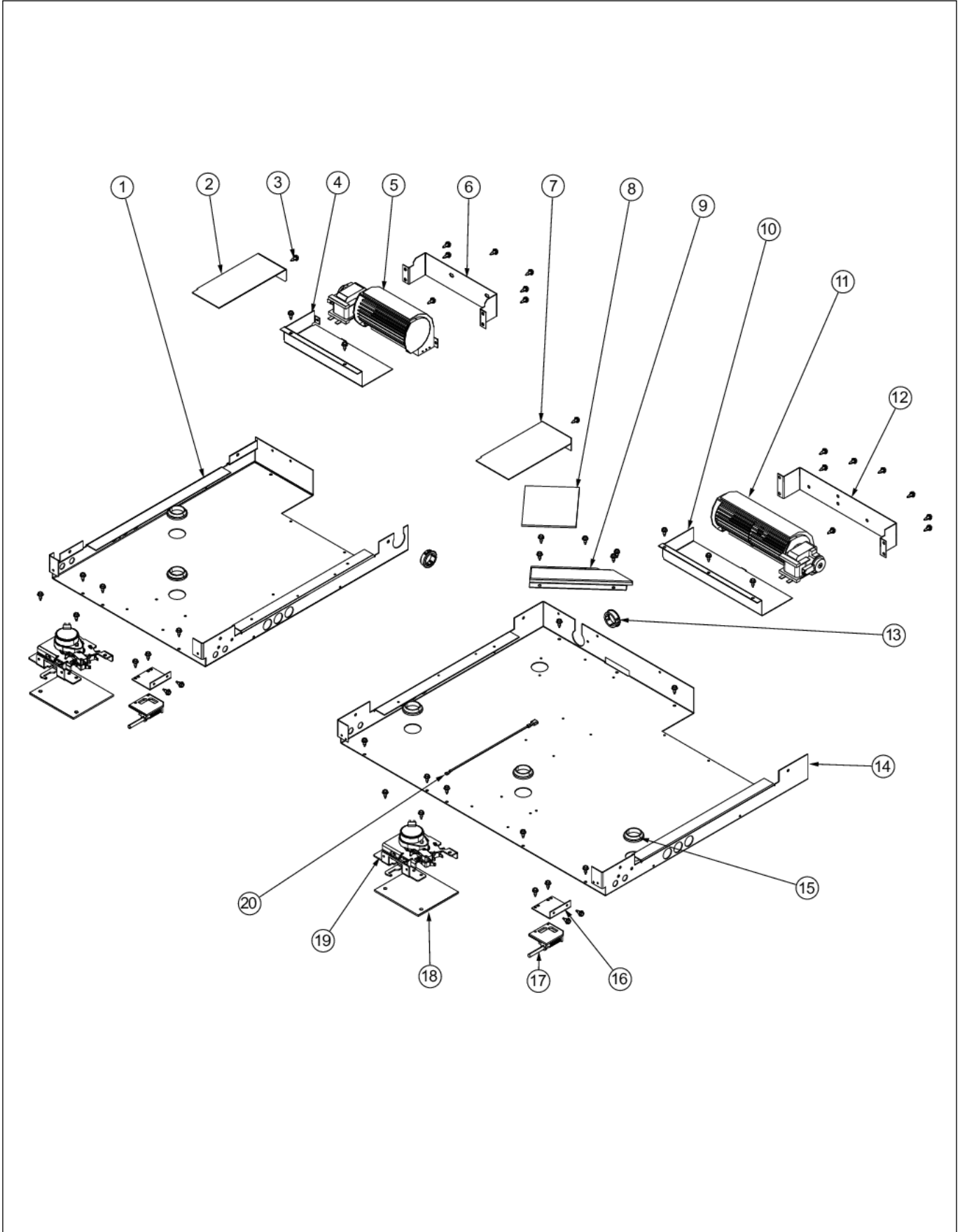
Item	Part No.	Name	Qty	Uom	NOTES
23	013365-009	SIDE PANEL ASM, LH 48"-LE	1	EA	Not available online / Call for pricing and availability
23	013365-010	SIDE PANEL ASM, LH 48"-MJ	1	EA	Not available online / Call for pricing and availability
23	013365-012	SIDE PANEL ASM, LH 48"-VB	1	EA	Not available online / Call for pricing and availability
23	013365-013	SIDE PANEL ASM, LH 48" CB	1	EA	
23	013365-015	SIDE PANEL ASM, LH 48"-PL	1	EA	Not available online / Call for pricing and availability
23	013365-016	SIDE PANEL ASM, LH 48"-CH	1	EA	Not available online / Call for pricing and availability
23	013365-017	SIDE PANEL ASM, LH 48"-TP	1	EA	Not available online / Call for pricing and availability
23	013365-018	SIDE PANEL ASM, LH 48"-CW	1	EA	Not available online / Call for pricing and availability
23	013365-019	SIDE PANEL ASM, LH 48"-OG	1	EA	Not available online / Call for pricing and availability
23	013365-020	SIDE PANEL ASM, LH 48"-GM	1	EA	Not available online / Call for pricing and availability
23	013365-021	SIDE PANEL ASM, LH 48"-SA	1	EA	Not available online / Call for pricing and availability
23	013365-022	SIDE PANEL ASM, LH 48"-SE	1	EA	
23	013365-023	SIDE PANEL ASM, LH 48" IB	1	EA	Not available online / Call for pricing and availability
23	013365-024	SIDE PANEL ASM, LH 48"-AR	1	EA	
23	013365-025	SIDE PANEL ASM, LH 48" RR	1	EA	





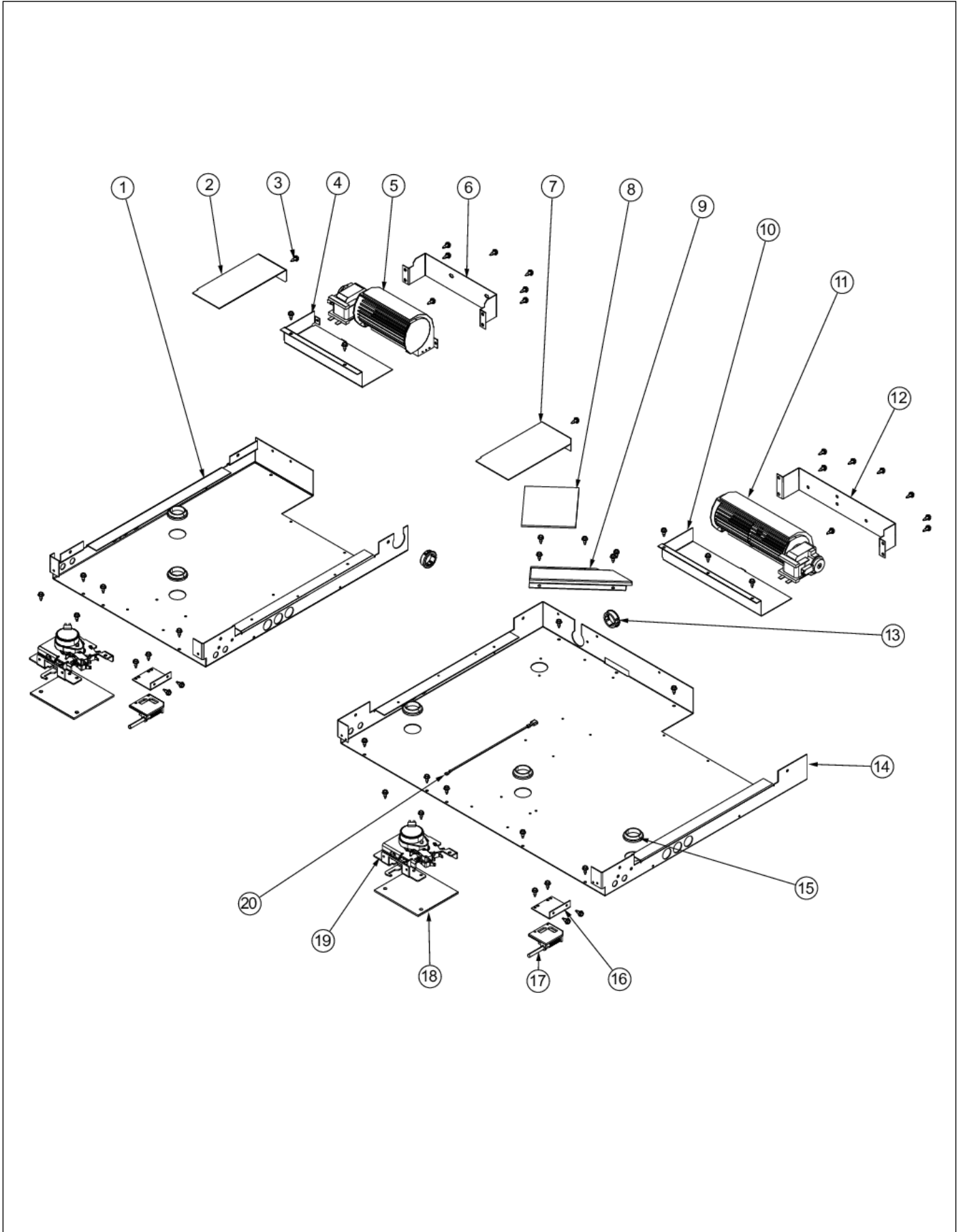
Item	Part No.	Name	Qty	Uom	NOTES
23	013365-026	SIDE PANEL ASM, LH 48"-PM	1	EA	Not available online / Call for pricing and availability
23	013365-027	SIDE PANEL ASM, LH 48"-MS	1	EA	Not available online / Call for pricing and availability
24	NON-SERVICEABLE	SUPPORT,OVEN,BOT,RH,VDSC 548	1	EA	
25	NON-SERVICEABLE	OVEN MODULE SUPPORT CHANNEL, LH	2	EA	
NI	024909-000	SHIELD, WRG	1	EA	
NI	026526-000	COVER, DSI BOARD, SERVICE	1	EA	
NI	026766-000	CRADLE, DSI, SERVICE	1	EA	

OVEN ELECTRONICS





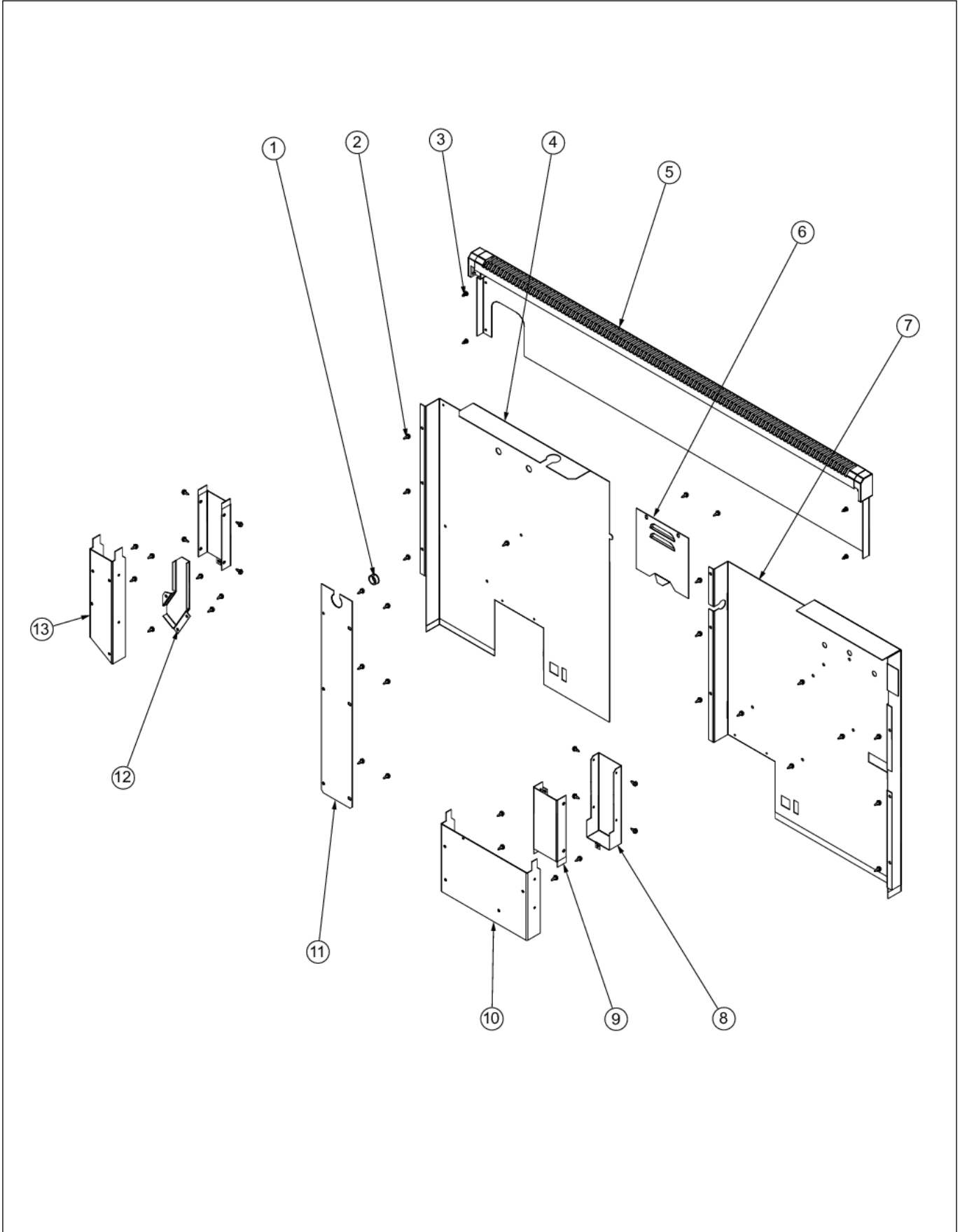
Item	Part No.	Name	Qty	Uom	NOTES
1	006195-000	OVEN, MDL, TOP, FLAT, VDSC18"	1	EA	
2	007793-000	PLATE, SVCE, FLAT, REGULATOR, VDSC 548	1	EA	
3	003860-000	10-18 x .500 FASTNR, SCR, HXWH, STL, ZPLT	49	EA	
4	007419-000	BRACKET, FAN, MT, BOT, VDSC 18"	1	EA	
5	007794-000	COOLING FAN, VDSC 18"	1	EA	
Not Shown	NOTE	(BEFORE 8/12/2013)		EA	
5	018608-000	FAN, BLO, 220-240V 50/60Hz ASM (MT1712)	1	EA	
Not Shown	NOTE	(ON OR AFTER 8/12/2013)		EA	
6	007420-000	COOLING, FAN, MOUNTING, BRACKET, VDSC18"	1	EA	
7	004016-000	PLATE, SVCE, RGLT	1	EA	
8	004285-000	INSULATION, FOIL-BACKED, 4"x5"	1	EA	
9	003333-000	DUCT, FLUE	1	EA	
10	A2009659	Blower Bracket	1	EA	
11	PE050250	Blower	1	EA	
<p>Comments for Part Num. PE050250</p> <p>highendappsvc@gmail.com on Jan 28, 2019</p> <p>If you need to replace cooling fan for the model vgsc5486gss serial date code 031412, do not order this fan, this fan is larger and configured wrong. The correct fan is 007794-000. it is smaller.</p>					
Not Shown	NOTE	(BEFORE 8/10/2013)		EA	
11	018607-000	FAN, BLO, 220-240V 50/60Hz ASM (MT1664)	1	EA	
Not Shown	NOTE	(ON OR AFTER 8/10/2013)		EA	
12	004110-000	Blower Mount	1	EA	
13	PD040152	SNAP BUSHING	2	EA	
14	002754-000	RANGE TOP BRACE, AIR CHANNEL	1	EA	
15	PB070079	SILICONE EXTRUSION (DGSU)	5	EA	





Item	Part No.	Name	Qty	Uom	NOTES
16	A20012649	DOOR SWITCH BRACKET	2	EA	
17	PE050208	DOOR SWITCH	2	EA	
18	NON-SERVICEABLE	LOWER LATCH INSULATION	2	EA	
19	013250-000	LATCH,DOOR,ASM,240V,GRID DLE LOCKOUT	2	EA	
Not Shown	NOTE	(BEFORE 10/31/13)		EA	
19	039293-000	LATCH, ELEC, 240V, ASSY	2	EA	
Not Shown	NOTE	(ON OR AFTER 10/31/13)		EA	
20	G4000936	GROUND WIRE	1	EA	

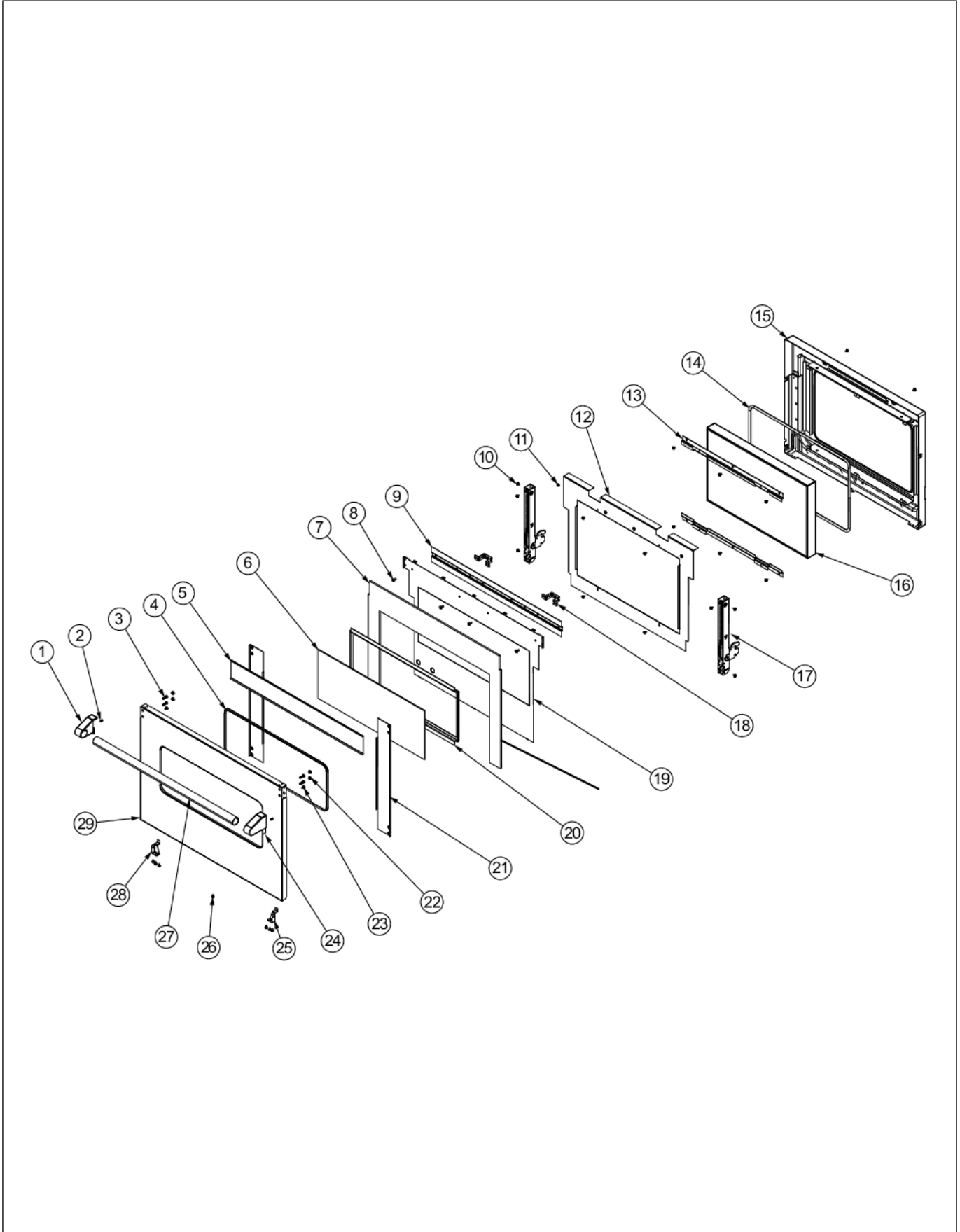
REAR SHEET METAL



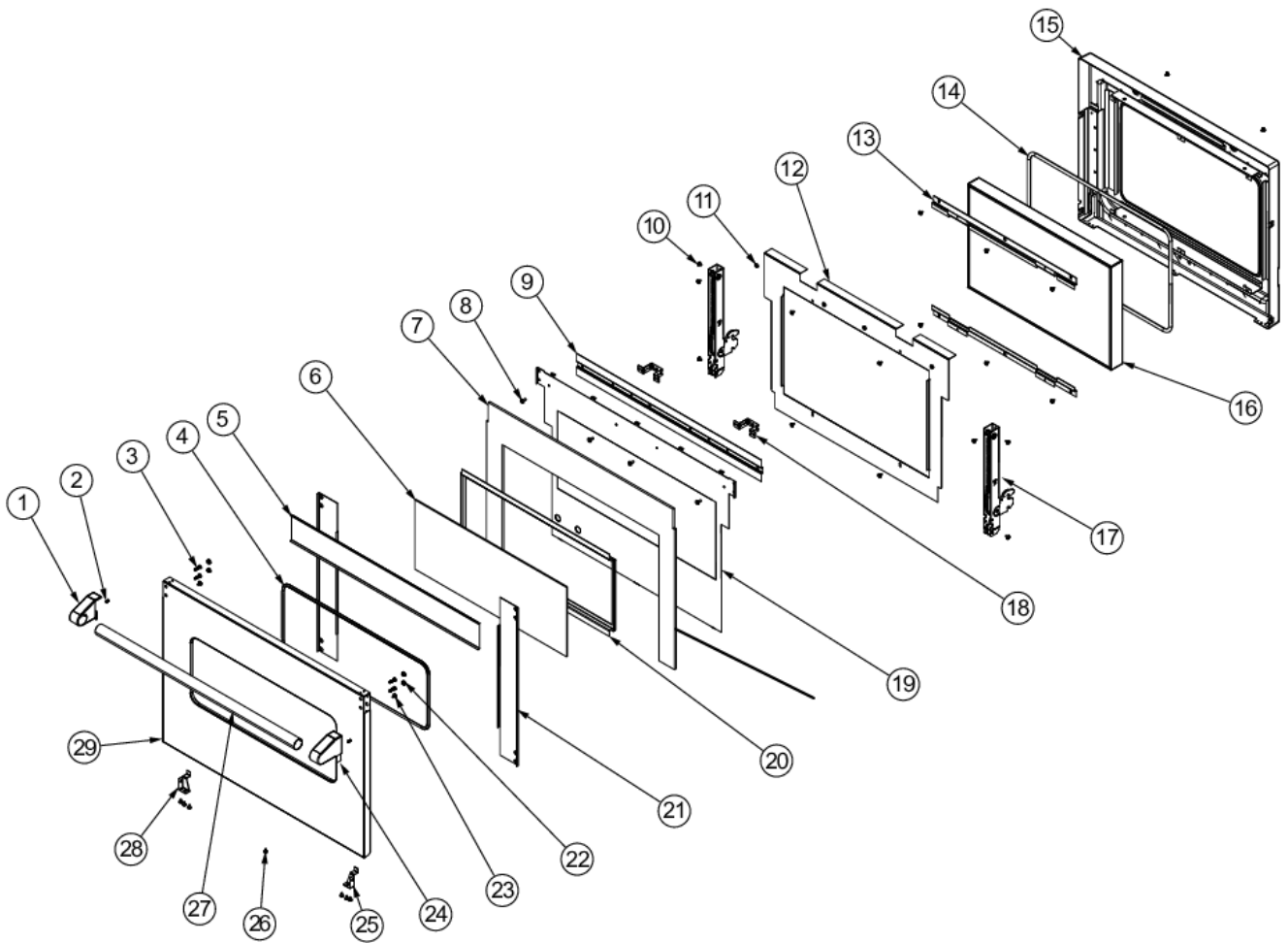


Item	Part No.	Name	Qty	Uom	NOTES
1	PD040005	SNAP BUSHING - 7/8"	1	EA	
2	003860-000	10-18 x .500 FASTNR,SCR,HXWH,STL,ZPLT	40	EA	
3	PD020055	' #10 X 1/2" PAN PHIL. TEK.*SS*	4	EA	
4	007504-000	COVER, BACK, VDSC18"	1	EA	Not available online / Call for pricing and availability
5	041509-000	TRIM, IS, ASSY, 48"	1	EA	
6	A2002454	BACK, COVER ACCESS DOOR	1	EA	
7	003272-000	COVER, BACK- INTERNATIONAL	1	EA	
8	A20010101	FLUE, OUTSIDE SHELL	1	EA	
9	A20010102	FLUE, CENTER EXTENDED	2	EA	
10	003681-000	DUCT, AIR	1	EA	
11	006400-000	PLATE, BACK, CTR, VDSC48"	1	EA	
12	007441-000	EXHAUST, DUCT, REAR, VDSC18"	1	EA	
13	007188-000	DUCT, AIR, REAR, VDSC18"	1	EA	
NI	A2002654	ANTI-TIP DEVICE (VDSC)	1	EA	

RH DOOR ASSEMBLY

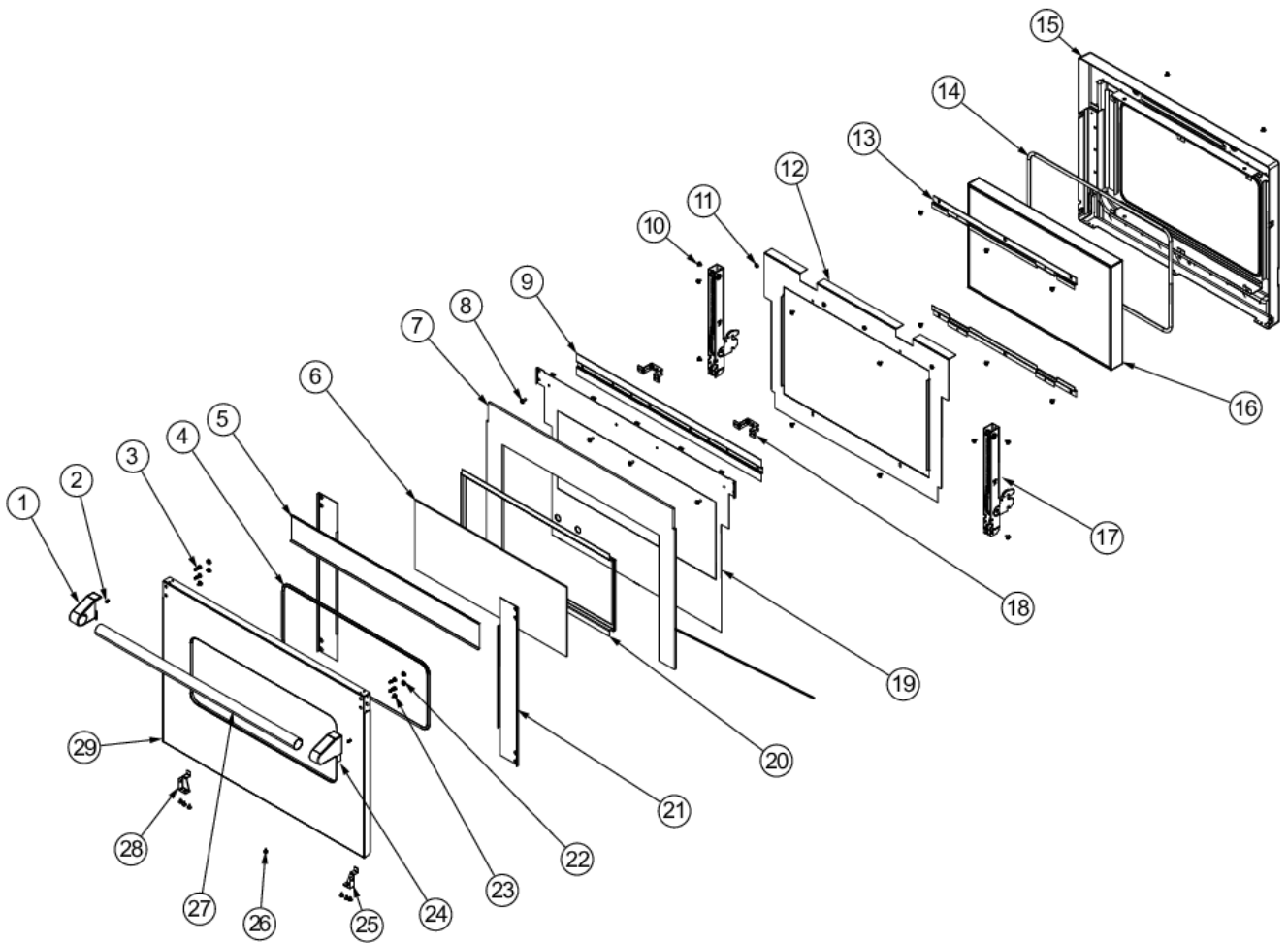


Item	Part No.	Name	Qty	Uom	NOTES
1	003011-000	DOOR HANDLE ENDCAP ASSY, LH (CHROME)	1	EA	
1	003011-100	DOOR HANDLE ENDCAP ASSY, LH (BRASS)	1	EA	
2	003650-000	SET SCREW	2	EA	Not available online / Call for pricing and availability
3	030823-000	#10-32 PAN HEAD PHILLIPS MACHINE SCREW	4	EA	
4	PE060105	30" J-MOLD (CHROME)	1	EA	
5	002724-000	DOOR SKIN HEAT SINK, 30"	1	EA	
6	PE060090	30" PROF. OUTER DOOR GLASS	1	EA	
7	006788-000	INSULATION,DOOR, TOP,SUPE RWOOL,.25,VDSC530	1	EA	
8	PD020033	SRW #10-24 X 1/2" T (23) PH WFR HD (NKL)	4	EA	
9	002732-000	DOOR SKIN MOUNTING BRACKET ASSY	1	EA	
10	PD020063	SCREW-#8(A) X 3/8"PH WFR HD/BK OXID	18	EA	
11	PD030010	#10-24 KEPS NUT ZINC PLATED	4	EA	
12	004152-000	DOOR LINER INSULATION RETAINER, 30	1	EA	
13	004153-000	DOOR GLASS HOLDER BRACKET	2	EA	
14	000594-000	BLACK FIBERGLASS ROPE 3/8	1	EA	
15	015412-000	DOOR LINER SPOTWELD ASM	1	EA	
Not Shown	NOTE	(BEFORE 12/20/12)		EA	
15	015412-402	LINER, DOOR, WLD, ASSY, 30" BLK	1	EA	
Not Shown	NOTE	(ON OR AFTER 12/20/12)		EA	
16	PE060094	30 WINDOW PACK	1	EA	
17	002740-000	DOOR HINGE	2	EA	See TC-0121-SP Service Bulletin
18	A21014003	DOOR LINER MTG. BRKT.	2	EA	
19	002730-000	DOOR SKIN INSULATION RETAINER, BLACK	1	EA	

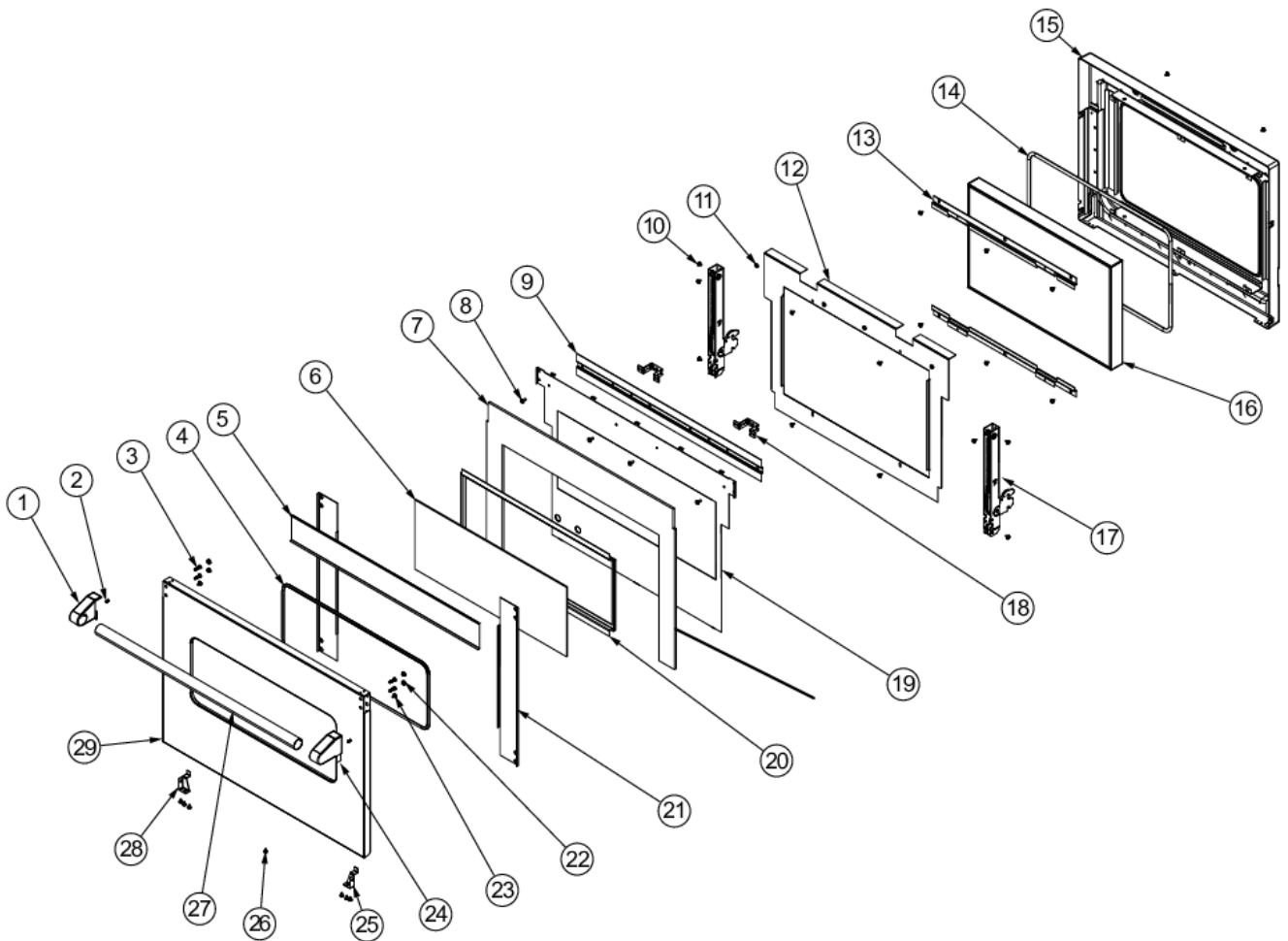




Item	Part No.	Name	Qty	Uom	NOTES
20	L20014077	30" WINDOW HOLDER	1	EA	
21	002726-000	DOOR SKIN SIDE BRACKET	2	EA	
22	004907-000	STEEL FINISHING PLUG, NICKEL PLTD 25/64" HOLE	4	EA	
23	PD020073	SRW #10 X 24 X 3/8 WAFER HD TYPE23	2	EA	
24	003012-000	DOOR HANDLE ENDCAP ASSY, RH (CHROME)	1	EA	
24	003012-100	DOOR HANDLE ENDCAP ASSY, RH (BRASS) - NLA	1	EA	
25	A20012640	HINGE SUPPORT RH	1	EA	
26	PD020032	SRW-8(A)X3/8"PH.WFR HD 7/16DIA*NICL	7	EA	
27	002728-000	DOOR HANDLE - SS, 1.25" 29.5	1	EA	
28	A20012641	HINGE SUPPORT LH	1	EA	
29	006803-000	DOOR SKIN, 30" W/O LOGO SS	1	EA	
29	012313-002	DOOR, SKIN, BK	1	EA	Not available online / Call for pricing and availability
29	012313-003	DOOR, SKIN, BT	1	EA	
29	012313-004	DOOR, SKIN, SG	1	EA	
29	012313-005	DOOR, SKIN, GG	1	EA	
29	012313-006	DOOR, SKIN, WH	1	EA	
29	012313-008	DOOR SKIN, VDSC 48", RH, BU	1	EA	
29	012313-009	DOOR, SKIN, LE	1	EA	
29	012313-010	DOOR, SKIN, MJ	1	EA	
29	012313-012	DOOR, SKIN, VB	1	EA	
29	012313-013	DOOR, SKIN, CB	1	EA	
29	012313-015	DOOR, SKIN, PL	1	EA	Not available online / Call for pricing and availability
29	012313-016	DOOR, SKIN, CH	1	EA	Not available online / Call for pricing and availability
29	012313-017	DOOR, SKIN, TP	1	EA	
29	012313-018	DOOR, SKIN, CW NLA	1	EA	
29	012313-019	DOOR, SKIN, OG	1	EA	

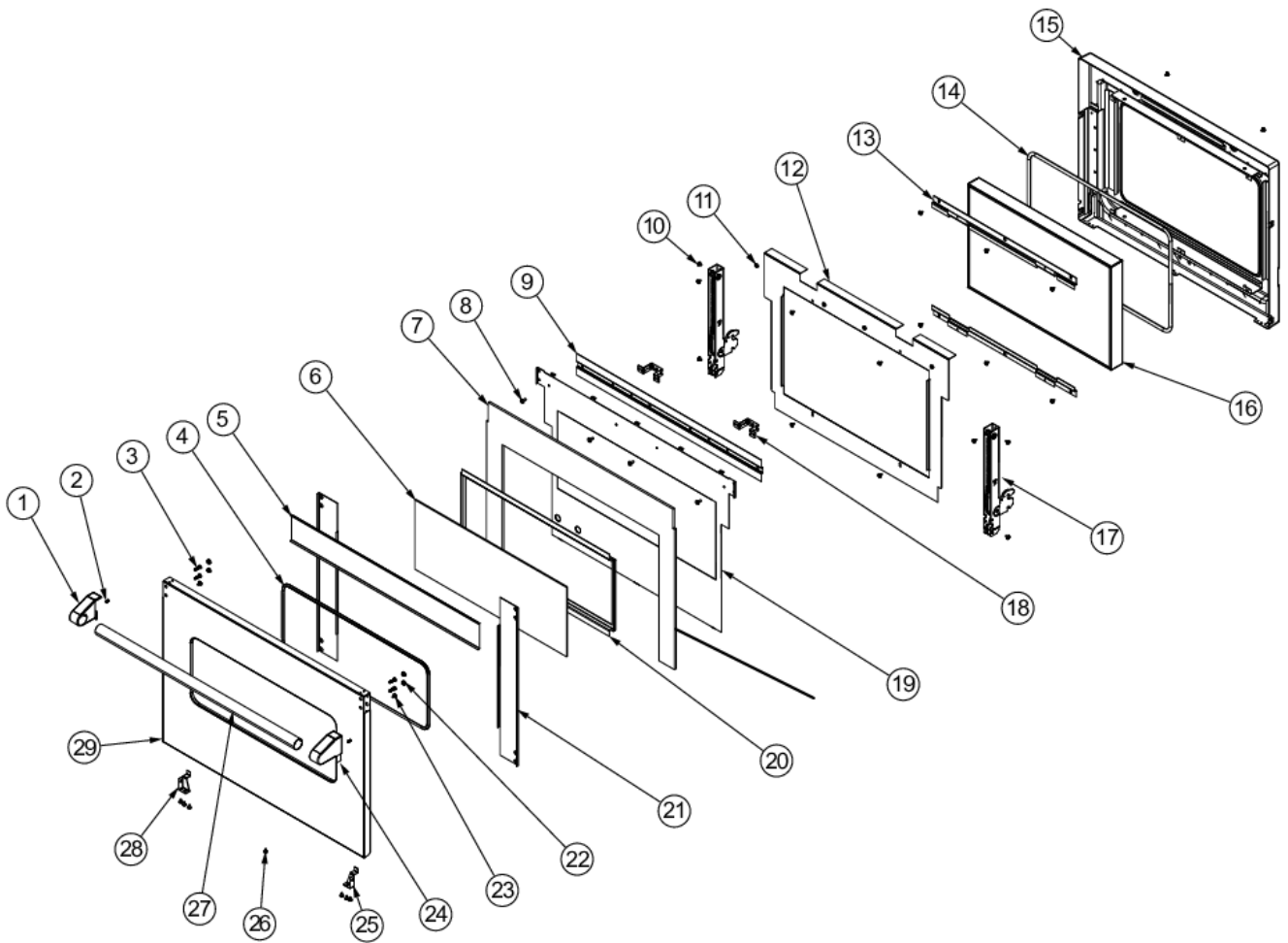


Item	Part No.	Name	Qty	Uom	NOTES
29	012313-020	DOOR, SKIN, GM	1	EA	
29	012313-021	DOOR, SKIN, SA	1	EA	
29	012313-022	DOOR SKIN, SE, VDSC 48", RH	1	EA	
29	012313-023	DOOR, SKIN, IB	1	EA	
29	012313-024	DOOR SKIN, CRS, VDSC 48", RH	1	EA	
29	012313-025	DOOR, SKIN, RR	1	EA	
29	012313-026	DOOR, SKIN, PM	1	EA	
29	012313-027	DOOR, SKIN, MS	1	EA	
29	021143-000	SERVICE DOOR SKIN KIT 30" SS	1	EA	
29	021144-002	SERVICE DOOR SKIN KIT 30" BK	1	EA	
29	021144-003	SERVICE DOOR SKIN KIT 30" BT	1	EA	Not available online / Call for pricing and availability
29	021144-004	SERVICE DOOR SKIN KIT 30" SG	1	EA	
29	021144-005	SERVICE DOOR SKIN KIT 30" GG	1	EA	
29	021144-006	SERVICE DOOR SKIN KIT 30" WH	1	EA	
29	021144-008	SERVICE DOOR SKIN KIT 30" BU	1	EA	
29	021144-009	SERVICE DOOR SKIN KIT 30" LE	1	EA	
29	021144-010	SERVICE DOOR SKIN KIT 30" MJ	1	EA	Not available online / Call for pricing and availability
29	021144-012	SERVICE DOOR SKIN KIT 30" VB	1	EA	
29	021144-013	SERVICE DOOR SKIN KIT 30" CB	1	EA	
29	021144-015	SERVICE DOOR SKIN KIT 30" PL	1	EA	
29	021144-016	SERVICE DOOR SKIN KIT 30" CH	1	EA	
29	021144-017	SERVICE DOOR SKIN KIT 30" TP	1	EA	
29	021144-018	SERVICE DOOR SKIN KIT 30" CW NLA	1	EA	



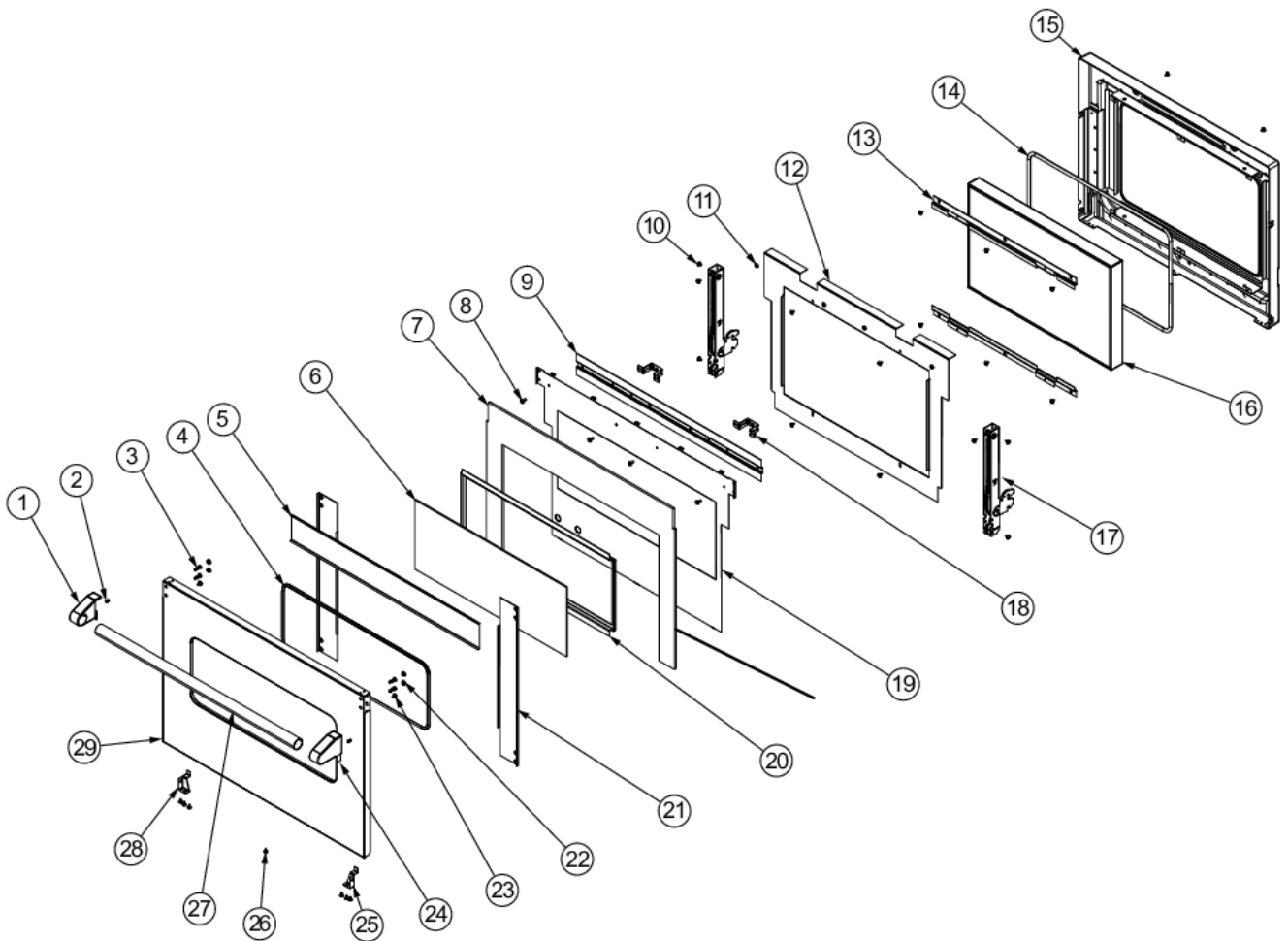


Item	Part No.	Name	Qty	Uom	NOTES
29	021144-019	SERVICE DOOR SKIN KIT 30" OG	1	EA	
29	021144-020	SERVICE DOOR SKIN KIT 30" GM	1	EA	
29	021144-021	SERVICE DOOR SKIN KIT 30" SA	1	EA	
29	021144-022	SERVICE DOOR SKIN KIT 30" SE	1	EA	
29	021144-023	SERVICE DOOR SKIN KIT 30" IB	1	EA	
29	021144-024	SERVICE DOOR SKIN KIT 30" AR	1	EA	
29	021144-025	SERVICE DOOR SKIN KIT 30" RR	1	EA	
29	021144-026	SERVICE DOOR SKIN KIT 30" PM	1	EA	
29	021144-027	SERVICE DOOR SKIN KIT 30" MS	1	EA	
29	021143-100	DOOR SKIN ASSY, RH, SS/BR	1	EA	Not available online / Call for pricing and availability
29	021144-102	DOOR SKIN ASSY, RH, BK/BR	1	EA	Not available online / Call for pricing and availability
29	021144-103	DOOR SKIN ASSY, RH, BT/BR	1	EA	Not available online / Call for pricing and availability
29	021144-104	DOOR SKIN ASSY, RH, SG/BR	1	EA	Not available online / Call for pricing and availability
29	021144-105	DOOR SKIN ASSY, RH, GG/BR	1	EA	Not available online / Call for pricing and availability
29	021144-106	DOOR SKIN ASSY, RH, WH/BR	1	EA	Not available online / Call for pricing and availability
29	021144-108	DOOR SKIN ASSY, RH, BU/BR	1	EA	Not available online / Call for pricing and availability
29	021144-109	DOOR SKIN ASSY, RH, LE/BR	1	EA	Not available online / Call for pricing and availability

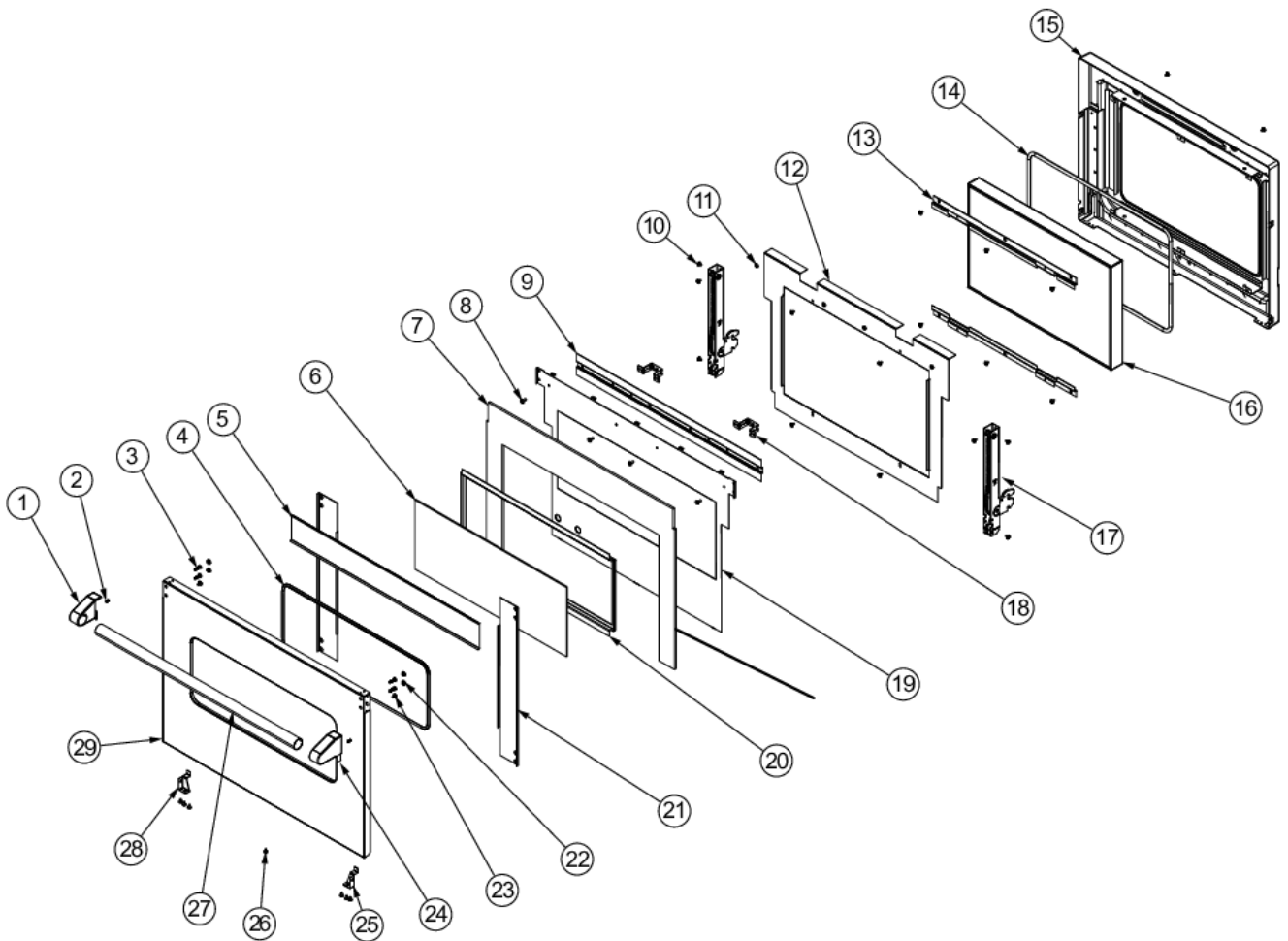




Item	Part No.	Name	Qty	Uom	NOTES
29	021144-110	DOOR SKIN ASSY, RH, MU/BR	1	EA	Not available online / Call for pricing and availability
29	021144-112	DOOR SKIN ASSY, RH, VB/BR	1	EA	Not available online / Call for pricing and availability
29	021144-113	DOOR SKIN ASSY, RH, CB/BR	1	EA	Not available online / Call for pricing and availability
29	021144-115	DOOR SKIN ASSY, RH, PL/BR	1	EA	Not available online / Call for pricing and availability
29	021144-116	DOOR SKIN ASSY, RH, CH/BR	1	EA	Not available online / Call for pricing and availability
29	021144-117	DOOR SKIN ASSY, RH, TP/BR	1	EA	Not available online / Call for pricing and availability
29	021144-118	DOOR SKIN ASSY, RH, CW/BR	1	EA	Not available online / Call for pricing and availability
29	021144-119	DOOR SKIN ASSY, RH, OG/BR	1	EA	Not available online / Call for pricing and availability
29	021144-120	DOOR SKIN ASSY, RH, GM/BR	1	EA	Not available online / Call for pricing and availability
29	021144-121	DOOR SKIN ASSY, RH, SA/BR	1	EA	Not available online / Call for pricing and availability
29	021144-122	DOOR SKIN ASSY, RH, SE/BR	1	EA	Not available online / Call for pricing and availability
29	021144-123	DOOR SKIN ASSY, RH, IB/BR	1	EA	Not available online / Call for pricing and availability
29	021144-124	DOOR SKIN ASSY, RH, AR/BR	1	EA	Not available online / Call for pricing and availability



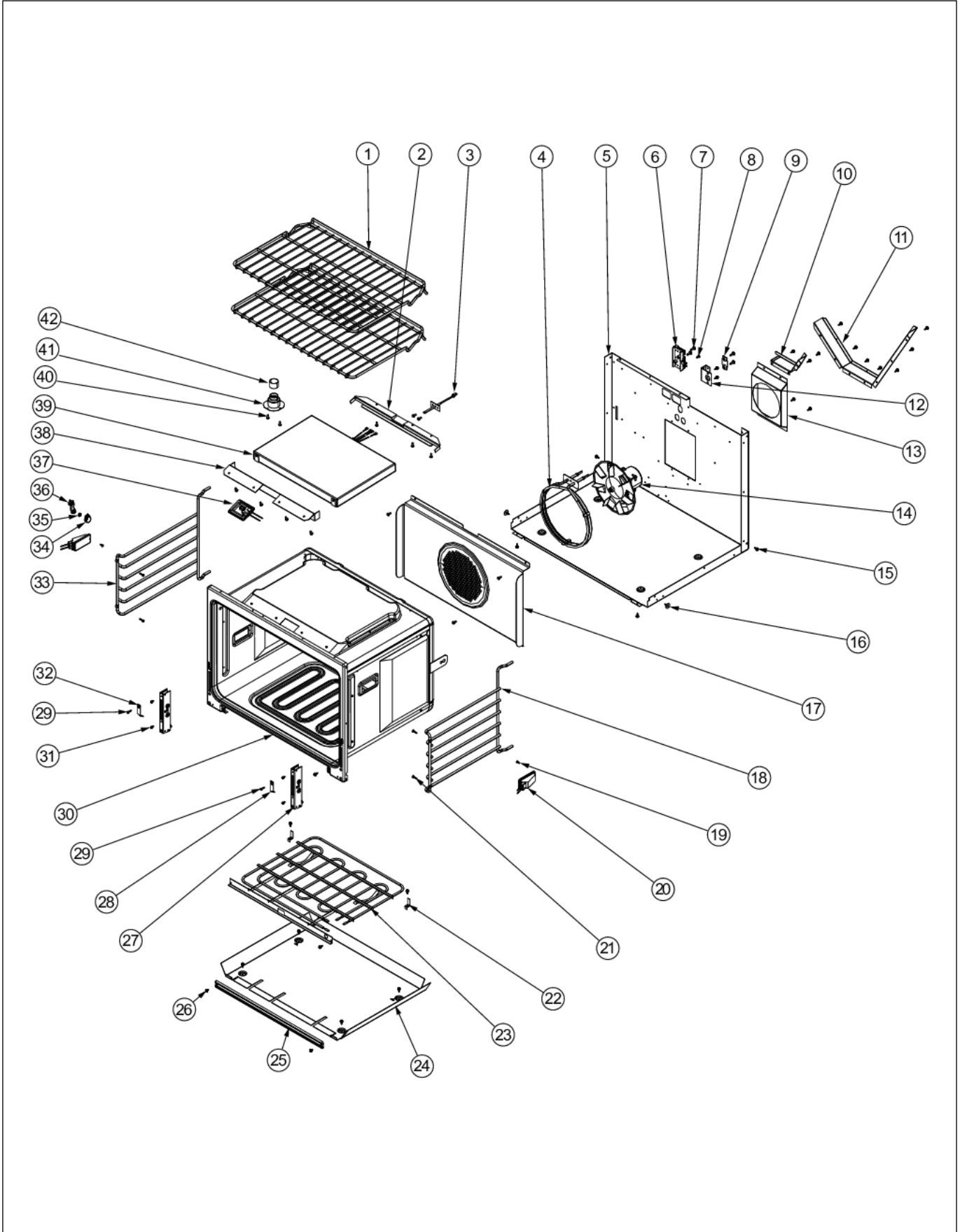
Item	Part No.	Name	Qty	Uom	NOTES
29	021144-125	DOOR SKIN ASSY, RH, RR/BR	1	EA	Not available online / Call for pricing and availability
29	021144-126	DOOR SKIN ASSY, RH, PM/BR	1	EA	Not available online / Call for pricing and availability
29	021144-127	DOOR SKIN ASSY, RH, MS/BR	1	EA	Not available online / Call for pricing and availability
29	006805-000	DOOR ASM, 30" - NO LOGO, RH, SS	1	EA	
29	013357-002	DOOR, ASM - BK	1	EA	Not available online / Call for pricing and availability
29	013357-003	DOOR, ASM - BT	1	EA	
29	013357-004	DOOR, ASM - SG	1	EA	
29	013357-005	DOOR, ASM - GG	1	EA	
29	013357-006	DOOR, ASM - WH	1	EA	
29	013357-008	DOOR, ASM - BU	1	EA	
29	013357-009	DOOR, ASM - LE	1	EA	
29	013357-010	DOOR, ASM - MJ	1	EA	Not available online / Call for pricing and availability
29	013357-012	DOOR, ASM - VB	1	EA	
29	013357-013	DOOR, ASM - CB	1	EA	
29	013357-015	DOOR, ASM - PL	1	EA	
29	013357-016	DOOR, ASM - CH	1	EA	
29	013357-017	DOOR, ASM - TP	1	EA	
29	013357-018	DOOR, ASM - CW NLA	1	EA	
29	013357-019	DOOR, ASM - OG	1	EA	
29	013357-020	DOOR, ASM - GM	1	EA	
29	013357-021	DOOR, ASM - SA	1	EA	
29	013357-022	DOOR, ASM - SE	1	EA	
29	013357-023	DOOR, ASM - IB	1	EA	
29	013357-024	DOOR, ASM - AR	1	EA	
29	013357-025	DOOR, ASM - RR	1	EA	





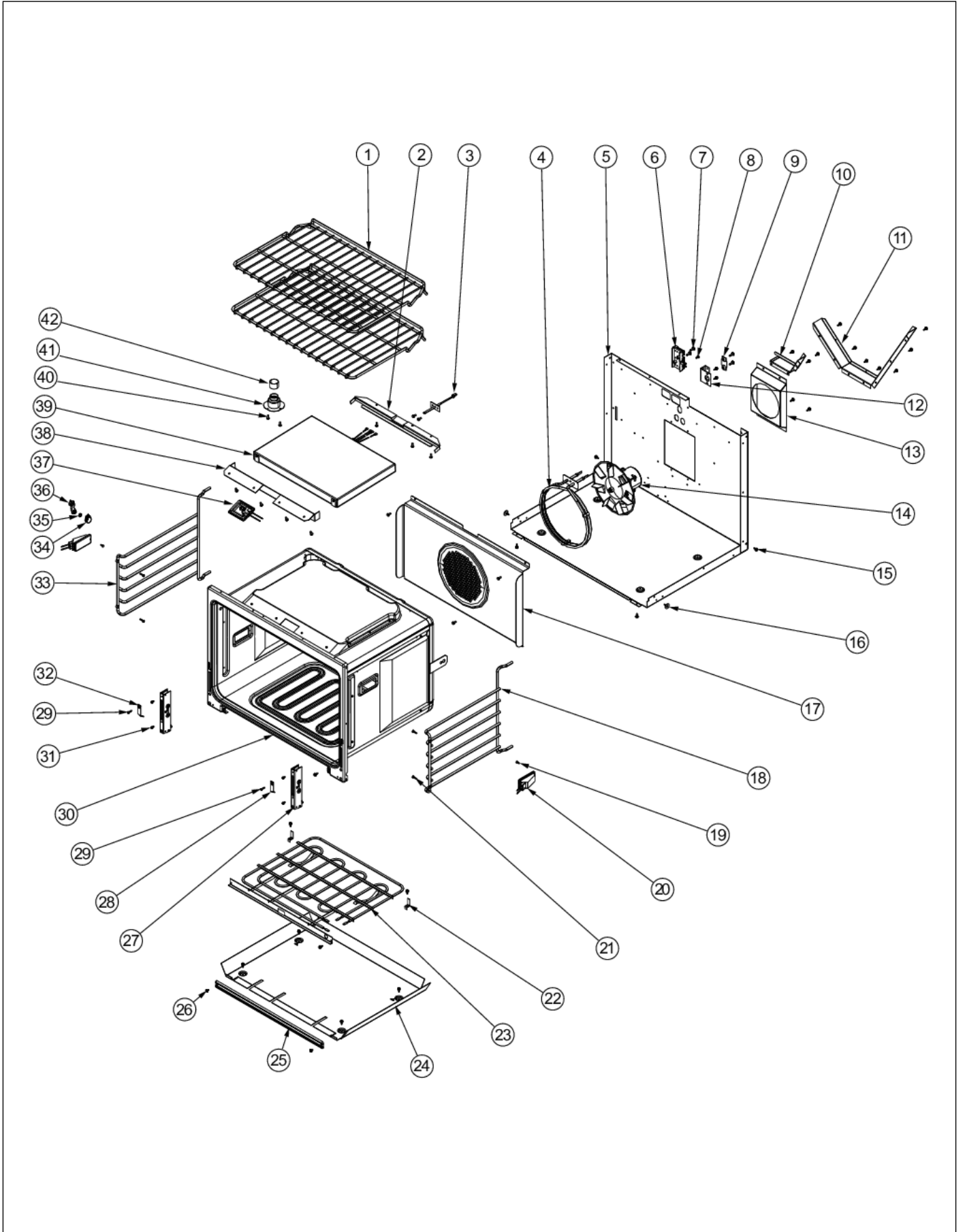
Item	Part No.	Name	Qty	Uom	NOTES
29	013357-026	DOOR, ASM - PM	1	EA	
29	013357-027	DOOR, ASM - MS	1	EA	
29	006805-100	DOOR ASM, 30" - NO LOGO, RH, SS/BR	1	EA	
29	013357-102	DOOR, ASM - BR, BK	1	EA	
29	013357-103	DOOR, ASM - BR, BT	1	EA	
29	013357-104	DOOR, ASM - BR, SG	1	EA	
29	013357-105	DOOR, ASM - BR, GG	1	EA	
29	013357-106	DOOR, ASM - BR, WH	1	EA	
29	013357-108	DOOR, ASM - BR, BU	1	EA	
29	013357-109	DOOR, ASM - BR, LE	1	EA	
29	013357-110	DOOR, ASM - BR, MJ	1	EA	Not available online / Call for pricing and availability
29	013357-112	DOOR, ASM - BR, VB	1	EA	
29	013357-113	DOOR, ASM - BR, CB	1	EA	
29	013357-115	DOOR, ASM - BR, PL	1	EA	
29	013357-116	DOOR, ASM - BR, CH	1	EA	
29	013357-117	DOOR, ASM - BR, TP	1	EA	
29	013357-118	DOOR, ASM - BR, CW	1	EA	
29	013357-119	DOOR, ASM - BR, OG	1	EA	
29	013357-120	DOOR, ASM - BR, GM	1	EA	
29	013357-121	DOOR, ASM - BR, SA	1	EA	
29	013357-122	DOOR, ASM - BR, SE	1	EA	
29	013357-123	DOOR, ASM - BR, IB	1	EA	
29	013357-124	DOOR, ASM - BR, AR	1	EA	
29	013357-125	DOOR, ASM - BR, RR	1	EA	
29	013357-126	DOOR, ASM - BR, PM	1	EA	
29	013357-127	DOOR, ASM - BR, MS	1	EA	
30	006787-000	INSULATION,DOOR,SIDE,SUPE RWOOL,.25,VDSC530	2	EA	

RH OVEN CAVITY

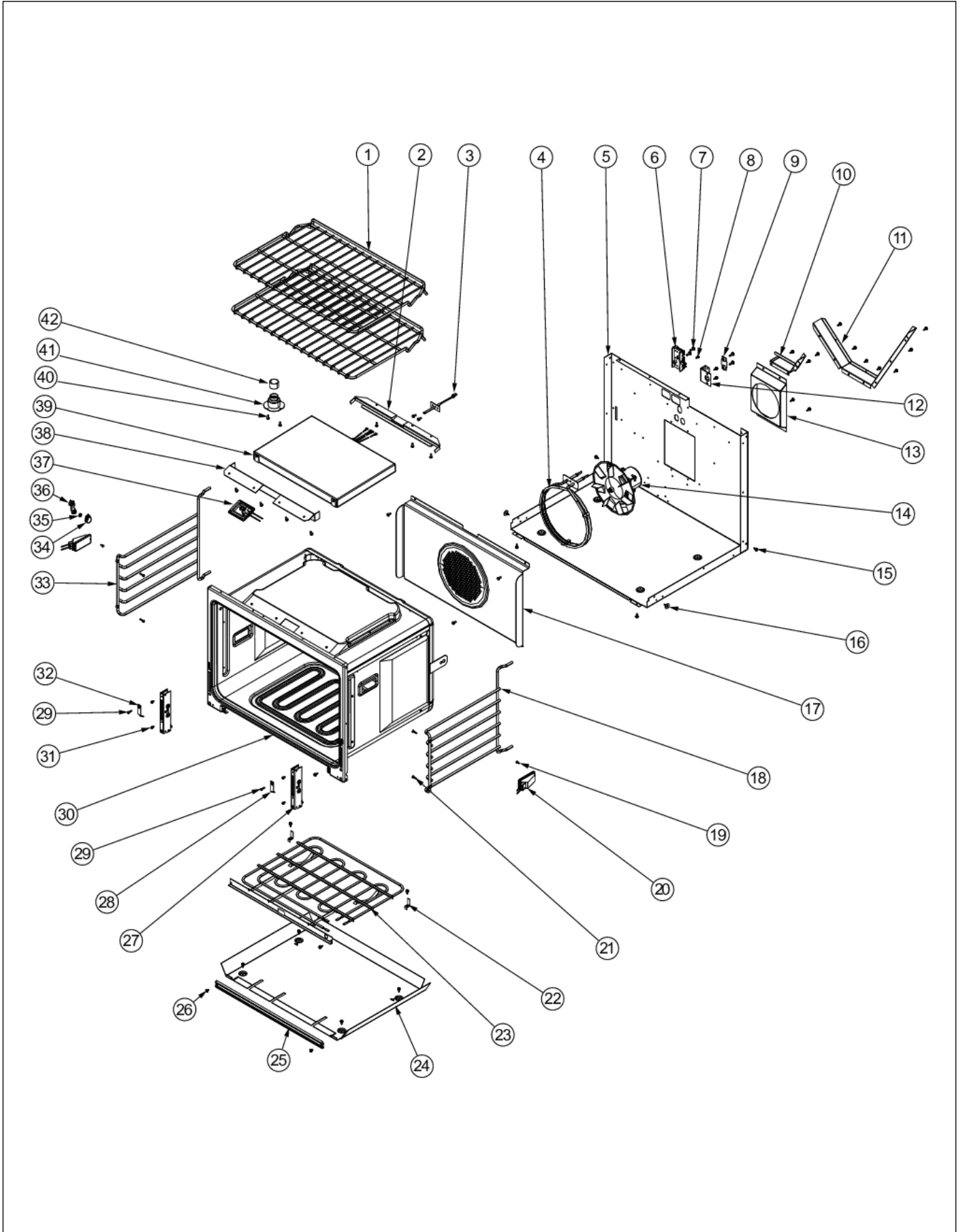




Item	Part No.	Name	Qty	Uom	NOTES
1	PB060107	30" OVEN RACK	2	EA	
2	024221-000	BRACKET, BROILER, REAR	1	EA	
3	PE050206	RTD THERMOSTAT PROBE	1	EA	
4	PJ010047	CONVECTION ELEMENT	1	EA	
5	003244-000	OVEN BOTTOM, BACK WRAP	1	EA	Not available online / Call for pricing and availability
6	PE070147	TERMINAL BLOCK (VDSC)	1	EA	
7	PD020014	10X3/4 PH TR HD SMS	4	EA	
8	PD020010	10 X 3/8 GREEN GROUNDING SCREW	1	EA	
9	A1002457	POWER CORD MOUNTING STRAP (VDSC)	1	EA	
10	003356-000	DIVERTER, AIR	1	EA	
11	002941-000	BAFFLE, FAN, REAR	1	EA	
12	A2002195	POWER CORD MOUNTING BRKT (VDSC)	1	EA	
13	A2009697	BRACKET, CONVECTION INSULATION	1	EA	
14	G32014020	CONVECTION FAN ASSY	1	EA	
15	003860-000	10-18 x .500 FASTNR,SCR,HXWH,STL,ZPLT	26	EA	
16	014143-000	SCR 10-12 A SHLD TRP 1/2 S ZN BLUE	2	EA	
17	G91013598	30" BAFFLE ASSEMBLY	1	EA	
18	066478-402	SUPPORT, RACK, RHS, PORCELAIN	1	EA	
19	PD020067	' #6 X 3/8" PAN PHIL. TEK *SS*	2	EA	
20	005311-000	LAMP, OVEN, 120V/25W	2	EA	
21	PD020232	#8 X 3/4" PH PAN HEAD TEK SCREW (BLACK OXIDE)	4	EA	
22	NON-SERVICABLE	HOLDER, BAKE ELEMENT	2	EA	
23	PJ010048	BAKE ELEMENT	1	EA	
24	A2009612	ELEMENT, MTG TRAY	1	EA	
25	E9109655	COVER, BAKE TRAY	1	EA	
26	PD020063	SCREW-#8(A) X 3/8"PH WFR HD/BK OXID	2	EA	
27	031679-000	RECEPTACLE, HINGE	2	EA	



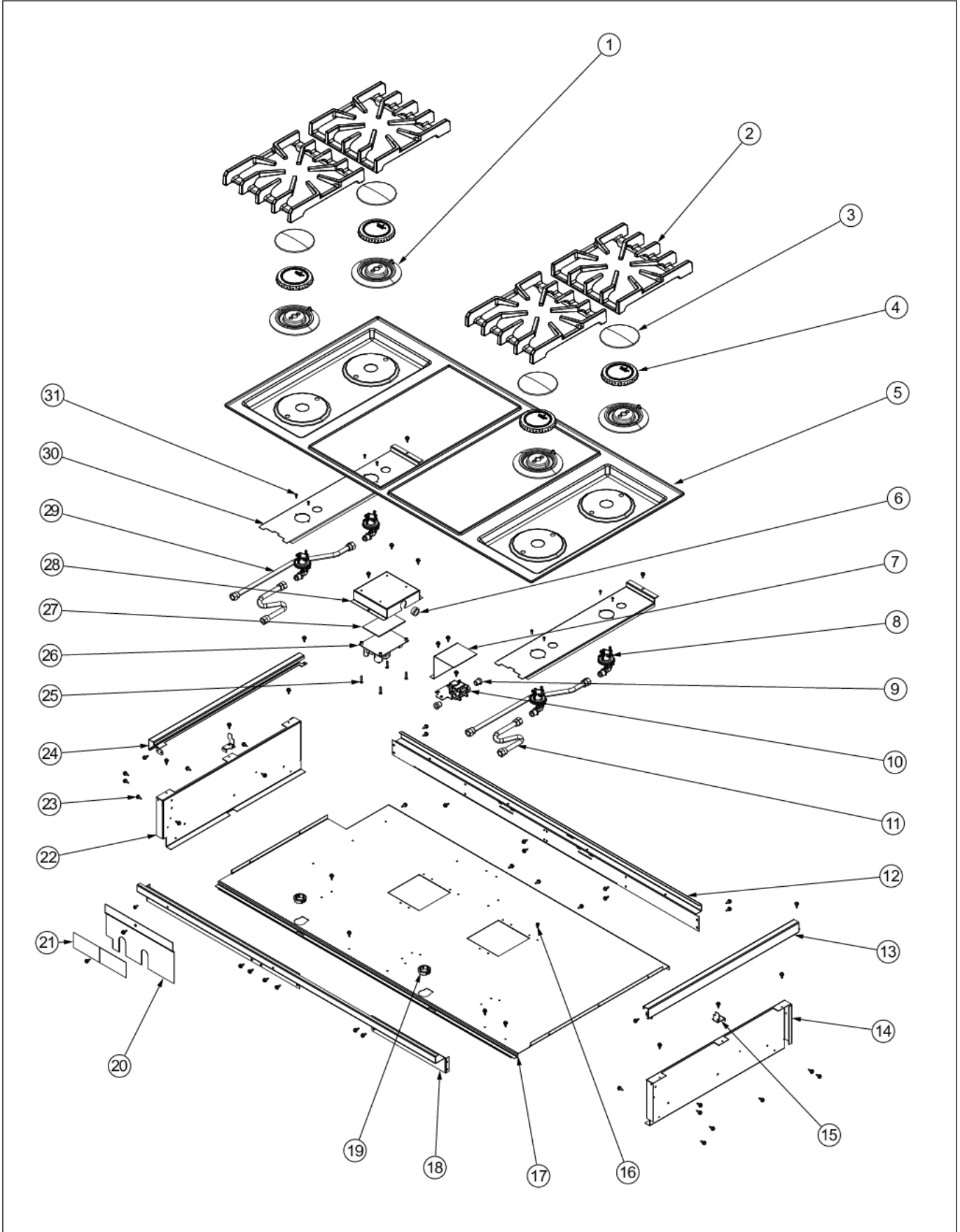
Item	Part No.	Name	Qty	Uom	NOTES
28	007278-000	ARM HINGE CLIP	1	EA	
Not Shown	NOTE	(BEFORE 01/02/13)		EA	
28	049718-402	CLIP, RETAINER, HINGE, GLOSS BLACK ENAMEL	1	EA	
Not Shown	NOTE	(AFTER 01/02/13)		EA	
29	PD020061	' #8 X 3/4 FLAT HD TEK. *SS*	2	EA	
30	G30014039	30" PREMIERE CAVITY ASSY	1	EA	NO LONGER AVAILABLE, Not available online / Call for pricing and availability
31	PD020062	#8-32 X 3/8 PHMS TYPE 1	4	EA	
32	007278-000	ARM HINGE CLIP	1	EA	
Not Shown	NOTE	(BEFORE 01/02/13)		EA	
32	049718-402	CLIP, RETAINER, HINGE, GLOSS BLACK ENAMEL	1	EA	
Not Shown	NOTE	(AFTER 01/02/13)		EA	
33	066479-402	SUPPORT, RACK, LHS, PORCELAIN	1	EA	
34	PM010160	MEAT PROBE JACK COVER (SWITCHCRAFT'S PART# 2C1098)	1	EA	
35	E91014053	PORCELAIN 25/64" HOLE PLUG	1	EA	Not available online / Call for pricing and availability
36	PE050115	MEAT PROBE JACK (SWITCHCRAFT'S PART# 3J1505)	1	EA	
<p>Comments for Part Num. PE050115</p> <p>bradleysapplianceservice@shaw.ca on May 8, 2017 Meat probe is not illustrated on Parts Break Down. PE050114 MEAT PROBE</p>					
37	020403-000	LAMP, OVEN, 120V/40W	1	EA	
38	024234-000	BRACKET, BROILER, FRONT	1	EA	
39	024040-000	ELEMENT, RIBBON	1	EA	





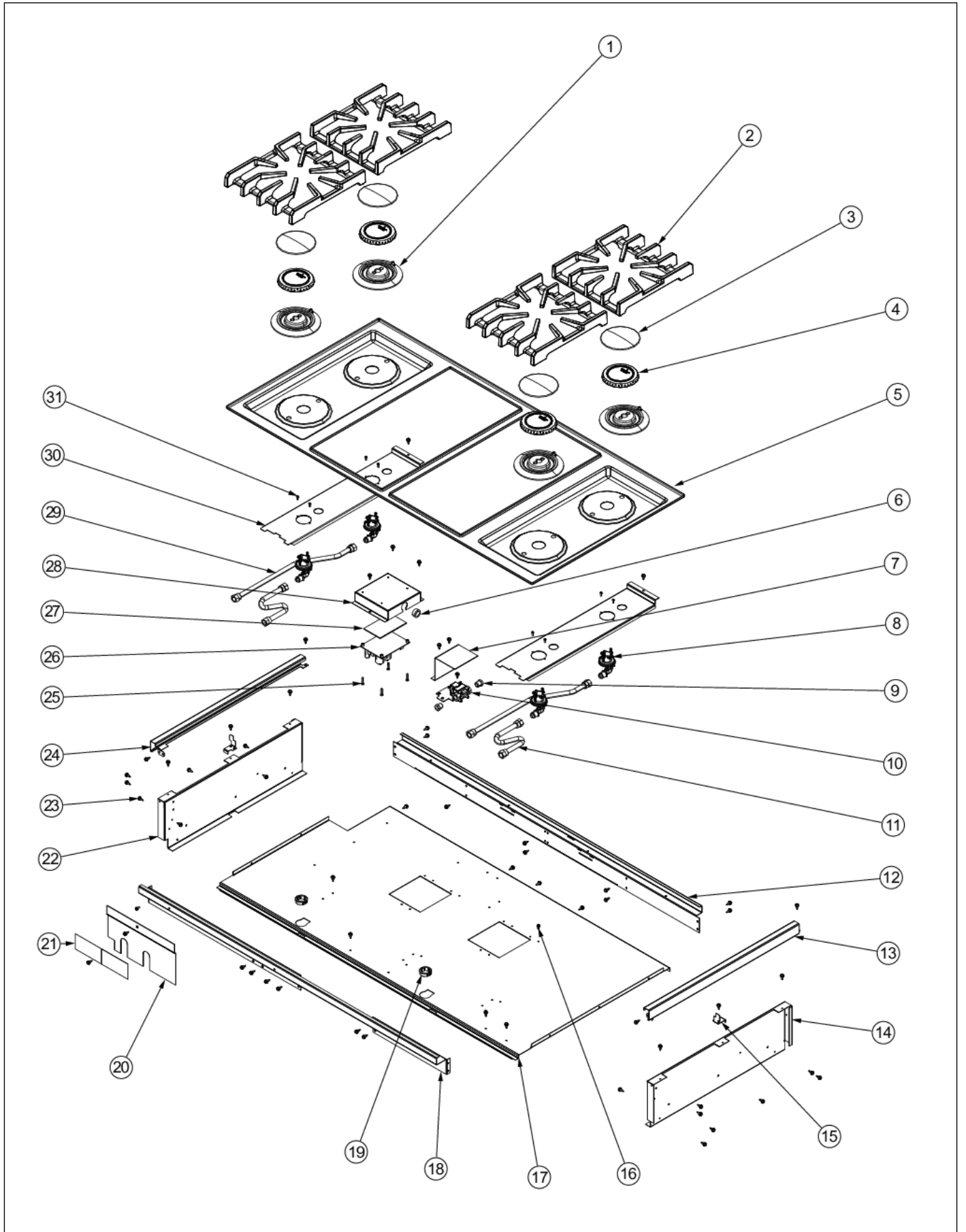
Item	Part No.	Name	Qty	Uom	NOTES
Comments for Part Num. 024040-000					
jhobbs@kimballinc.com on Jan 4, 2019					
Please Correct the part number on this (057872-000)					
40	PD020048	NO.10 X 1/2 TEK 410 SS SCREW	14	EA	
41	NON-SERVICABLE	SMOKE ELIMINATOR (VDSC)	1	EA	
42	PB020275	VENT TUBE	1	EA	

SURFACE COOKING AREA





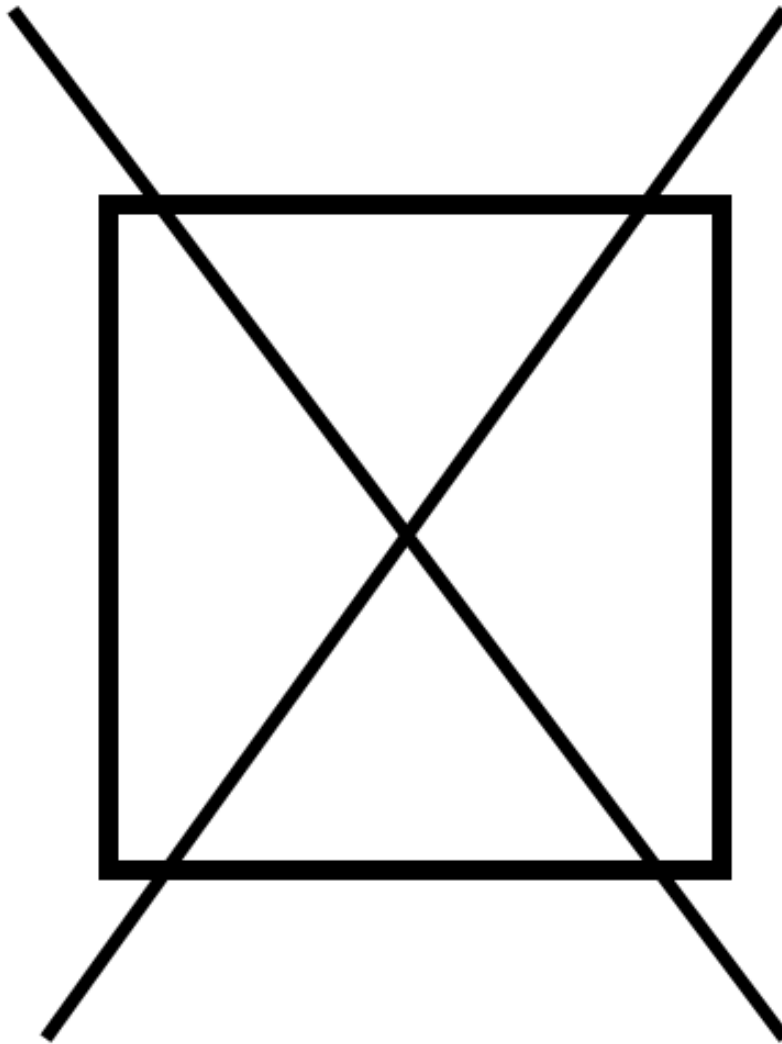
Item	Part No.	Name	Qty	Uom	NOTES
1	003322-041	SEALED BURNER BASE, PAINTED FINISH- GRAY	4	EA	
2	007323-000	BURNER GRATE	4	EA	
Not Shown	NOTE	(BEFORE 11/21/14)		EA	
2	049420-000	GRATE, BURNER, ASM	4	EA	
Not Shown	NOTE	(ON OR AFTER 11/21/14)		EA	
NI	PD040075	RUBBER FOOT	16	EA	
Not Shown	NOTE	(BEFORE 11/21/14)		EA	
NI	049416-000	BUMPER, GRATE	16	EA	
Not Shown	NOTE	(ON OR AFTER 11/21/14)		EA	
3	PA080083	D BURNER CAP *MATTE BLACK*	4	EA	
4	018200-000	ADJUSTED SEALED BURNER HEAD	4	EA	
5	E9109803BK	48" SEALED COOKTOP 4BGQ *BK*	1	EA	
6	PD040005	SNAP BUSHING - 7/8"	1	EA	
7	009402-000	SOLENOID HEAT SHIELD COVER	1	EA	
8	001394-042	15000 BTU NAT JETHOLDER	1	EA	
NI	001394-046	12.5 K BTU LP JETHOLDER	4	EA	
9	PB040050	3/8CC MALE COMP. FITTING W/FERRULE	2	EA	
10	009111-000	VALVE, SOL, SINGLE	1	EA	
11	PB020192	10" FLEX TUBING W/CONNECTORS	2	EA	
12	008464-000	BRNR BOX,REAR,FLAT,SUPPORT,VD SC5484GQ 48"	1	EA	
13	002920-000	TOP TRIM RING, RH	1	EA	
14	002755-000	BURNER BOX SIDE, RH	1	EA	
15	004021-000	SUPPORT,TRIM,SIDE	2	EA	
16	PD020010	10 X 3/8 GREEN GROUNDING SCREW	1	EA	
17	015641-000	BURNER BOX BOT, VDSC548T	1	EA	





Item	Part No.	Name	Qty	Uom	NOTES
Not Shown	NOTE	(BEFORE 1/13/11)		EA	
17	024684-000	BURNER,BOX,BOT,VDSC548T	1	EA	
Not Shown	NOTE	(ON OR AFTER 01/13/11)		EA	
18	008705-000	SUPPORT, RNG, TOP, FR, VDSC548-4GQ	1	EA	
19	PD040152	SNAP BUSHING	1	EA	
20	020743-000	SHIELD, THRM	1	EA	Not available online / Call for pricing and availability
21	PB070146	POLY FILM, (VDSC,VGSC)	2	EA	NOT FIELD REPLACEABLE
22	003481-000	BURNER BOX SIDE, LH	1	EA	
23	003860-000	10-18 x .500 FASTNR,SCR,HXWH,STL,ZPLT	16	EA	
24	003649-000	TOP TRIM RING, LH	1	EA	
25	PD020043	#6-32 X .750 PH. CTRSK T(F)-VGSO166	1	EA	
26	PA020056	NLA - See TC-0063D-SP for kit number (see comments)	1	EA	
Not Shown	NOTE	(BEFORE 01/11/11)		EA	
26	023651-000	DSI120-2-LVS	1	EA	
Not Shown	NOTE	(ON OR AFTER 01/11/11)		EA	
27	PB070191	INSULATION PAD	1	EA	
28	014564-000	DSI BOARD COVER	1	EA	
29	PB020193	16" FLEX TUBING W/CONNECTORS	2	EA	
30	002923-000	BURNER MODULE SUPPORT	2	EA	
31	PD020076	6-32 X 3/8" PHILL PAN MS	1	EA	

NON
ILLUSTRATED PART





Item	Part No.	Name	Qty	Uom	NOTES
NI	015100-000	Ribbon Cable, UI to EOC4 board	1	EA	
NI	020020-000	HARNESS, WRG, TEST, EOC4 DOUBLE OVEN	1	EA	
NI	PE070739	BAKE ELEMENT HARNESS	1	EA	
NI	PE070735	MEAT PROBE HARNESS	1	EA	
NI	020018-000	HARNESS, WIRING - LH OVEN	1	EA	
NI	013406-000	HARNESS, BAKE, ELEMENT, VDSC18"	1	EA	
NI	013295-000	HARNESS, LIGHT SWITCH, VDSC548	1	EA	
NI	PE070892	IRIS HARNESS - 60"	1	EA	
NI	009665-000	GRIDDLE, POWER, HARNESS, VDSC CUSTOM	1	EA	
Not Shown	NOTE	(BEFORE 1/13/11)		EA	
NI	036200-000	HARNESS. W/ GRIDDLE	1	EA	
Not Shown	NOTE	(ON OR AFTER 1/13/11)		EA	
NI	012828-000	HARNESS, GROUND, DSI, VDSC536-4G	1	EA	
NI	013625-000	VDSC548-4GQ GRIDDLE HARNESS	1	EA	
NI	007378-000	LIGHT SWITCH HARNESS	1	EA	
NI	020019-000	HARNESS, WRG, CONTROL	1	EA	
NI	021319-000	*SEE 027543-000* HARNESS, ADPT, LED, 125V TO 2V	1	EA	
NI	024909-000	SHIELD, WRG	1	EA	



Appendix A:Pages Index

CONTROL AREA 1
GRIDDLE ASSEMBLY 2
GRILL ASSEMBLY 3
LH DOOR ASSEMBLY 4
LH OVEN CAVITY 5
LOWER UNIT AND SIDE PANEL 6
OVEN ELECTRONICS 7
REAR SHEET METAL 8
RH DOOR ASSEMBLY 9
RH OVEN CAVITY 10
SURFACE COOKING AREA 11
WIRING 12



Appendix B:Parts Index

000594-000	4, 9	004152-000	9
000647-000	1	004153-000	9
001394-042	11	004285-000	7
001394-046	11	004907-000	4, 9
002513-000	2	005269-000	1
002709-000	4	005270-000	1
002709-402	4	005271-000	1
002724-000	9	005300-000	4
002726-000	9	005311-000	10
002728-000	9	005458-000	5
002730-000	9	005503-002	6
002732-000	9	005503-003	6
002740-000	9	005503-004	6
002754-000	7	005503-005	6
002755-000	11	005503-006	6
002905-000	6	005503-008	6
002920-000	11	005503-009	6
002923-000	11	005503-010	6
002941-000	10	005503-012	6
003011-000	4, 9	005503-013	6
003011-100	4, 9	005503-015	6
003012-000	4, 9	005503-016	6
003012-100	4, 9	005503-017	6
003244-000	10	005503-018	6
003272-000	8	005503-019	6
003322-041	11	005503-020	6
003333-000	7	005503-021	6
003356-000	10	005503-022	6
003481-000	11	005503-023	6
003490-000	5	005503-024	6
003644-000	6	005503-025	6
003649-000	11	005503-026	6
003650-000	4, 9	005503-027	6
003681-000	8	006158-000	6
003719-000	1	006160-000	5
003801-000	6	006163-000	5
003860-000	2, 3, 5, 6, 7, 8, 10, 11	006166-000	5
004016-000	7	006176-000	5
004021-000	11	006195-000	7
004110-000	7	006203-000	5
		006207-000	4



006209-000 4	007488-000 6
006213-000 4	007504-000 8
006214-000 4	007776-000 3
006218-000 4	007793-000 7
006219-000 4	007794-000 7
006220-000 4	007878-000 3
006221-000 4	008276-000 4
006222-000 4	008286-000 3
006224-000 4	008464-000 11
006227-000 4	008636-000 3
006227-100 4	008705-000 11
006300-000 6	009111-000 11
006313-000 1	009402-000 11
006379-000 5	009426-000 4
006380-000 5	009427-000 4
006400-000 8	009428-000 4
006570-000 1	009665-000 12
006574-000 1	010168-000 3
006748-000 5	010348-000 1
006749-000 6	010956-000 6
006750-000 6	011178-000 4
006766-000 1	011717-000 1
006783-000 2	012291-000 2
006785-000 2	012304-002 4
006787-000 9	012304-003 4
006788-000 9	012304-004 4
006803-000 9	012304-005 4
006805-000 9	012304-006 4
006805-100 9	012304-008 4
006807-000 4	012304-009 4
006808-000 4	012304-010 4
006933-000 6	012304-012 4
007147-000 1	012304-013 4
007188-000 8	012304-015 4
007248-000 5	012304-016 4
007278-000 5, 10, 10	012304-017 4
007323-000 11	012304-018 4
007378-000 12	012304-019 4
007419-000 7	012304-020 4
007420-000 7	012304-021 4
007441-000 5, 8	012304-022 4



012304-023	4	013357-013	4, 9
012304-024	4	013357-015	4, 9
012304-025	4	013357-016	4, 9
012304-026	4	013357-017	4, 9
012304-027	4	013357-018	4, 9
012313-002	9	013357-019	4, 9
012313-003	9	013357-020	4, 9
012313-004	9	013357-021	4, 9
012313-005	9	013357-022	4, 9
012313-006	9	013357-023	4, 9
012313-008	9	013357-024	4, 9
012313-009	9	013357-025	4, 9
012313-010	9	013357-026	4, 9
012313-012	9	013357-027	4, 9
012313-013	9	013357-102	4, 9
012313-015	9	013357-103	4, 9
012313-016	9	013357-104	4, 9
012313-017	9	013357-105	4, 9
012313-018	9	013357-106	4, 9
012313-019	9	013357-108	4, 9
012313-020	9	013357-109	4, 9
012313-021	9	013357-110	4, 9
012313-022	9	013357-112	4, 9
012313-023	9	013357-113	4, 9
012313-024	9	013357-115	4, 9
012313-025	9	013357-116	4, 9
012313-026	9	013357-117	4, 9
012313-027	9	013357-118	4, 9
012460-000	3	013357-119	4, 9
012828-000	12	013357-120	4, 9
013250-000	7	013357-121	4, 9
013295-000	12	013357-122	4, 9
013357-002	4, 9	013357-123	4, 9
013357-003	4, 9	013357-124	4, 9
013357-004	4, 9	013357-125	4, 9
013357-005	4, 9	013357-126	4, 9
013357-006	4, 9	013357-127	4, 9
013357-008	4, 9	013365-002	6
013357-009	4, 9	013365-003	6
013357-010	4, 9	013365-004	6
013357-012	4, 9	013365-005	6



013365-006	6	016295-000	2
013365-008	6	016792-000	3
013365-009	6	016793-000	3
013365-010	6	016794-000	3
013365-012	6	016796-000	3
013365-013	6	018200-000	11
013365-015	6	018607-000	7
013365-016	6	018608-000	7
013365-017	6	019190-000	1
013365-018	6	020018-000	12
013365-019	6	020019-000	1, 12
013365-020	6	020020-000	12
013365-021	6	020141-000	6
013365-022	6	020403-000	5, 10
013365-023	6	020437-000	4
013365-024	6	020513-000	1
013365-025	6	020713-000	1
013365-026	6	020716-000	1
013365-027	6	020743-000	11
013386-000	1	020895-000	1
013406-000	12	021143-000	9
013550-000	5	021143-100	9
013583-000	1	021144-002	9
013593-000	3	021144-003	9
013595-000	3	021144-004	9
013625-000	12	021144-005	9
013787-000	6	021144-006	9
013888-000	2	021144-008	9
013889-000	2	021144-009	9
013950-000	1	021144-010	9
013995-000	1	021144-012	9
014137-000	6	021144-013	9
014143-000	5, 10	021144-015	9
014564-000	11	021144-016	9
015043-000	1	021144-017	9
015100-000	12	021144-018	9
015412-000	9	021144-019	9
015412-402	9	021144-020	9
015641-000	11	021144-021	9
016292-000	2	021144-022	9
016293-000	2	021144-023	9



021144-024	9	021308-019	4
021144-025	9	021308-020	4
021144-026	9	021308-021	4
021144-027	9	021308-022	4
021144-102	9	021308-023	4
021144-103	9	021308-024	4
021144-104	9	021308-025	4
021144-105	9	021308-026	4
021144-106	9	021308-027	4
021144-108	9	021308-102	4
021144-109	9	021308-103	4
021144-110	9	021308-104	4
021144-112	9	021308-105	4
021144-113	9	021308-106	4
021144-115	9	021308-108	4
021144-116	9	021308-109	4
021144-117	9	021308-110	4
021144-118	9	021308-112	4
021144-119	9	021308-113	4
021144-120	9	021308-115	4
021144-121	9	021308-116	4
021144-122	9	021308-117	4
021144-123	9	021308-118	4
021144-124	9	021308-119	4
021144-125	9	021308-120	4
021144-126	9	021308-121	4
021144-127	9	021308-122	4
021308-002	4	021308-123	4
021308-003	4	021308-124	4
021308-004	4	021308-125	4
021308-005	4	021308-126	4
021308-006	4	021308-127	4
021308-008	4	021319-000	1, 12
021308-009	4	023003-000	6
021308-010	4	023116-000	5, 5
021308-012	4	023353-000	4
021308-013	4	023353-100	4
021308-015	4	023451-000	2
021308-016	4	023651-000	11
021308-017	4	024040-000	10
021308-018	4	024221-000	10



024234-000	10	049416-000	11
024684-000	11	049420-000	11
024909-000	6, 12	049718-402	5, 10, 10
026468-000	1	050172-000	1
026526-000	6	051533-000	6
026766-000	6	051834-000	6
030823-000	4, 9	066478-402	5, 10
031679-000	5, 10	066479-402	5, 10
035881-000	1	A1002457	10
035883-000	1	A20010101	8
035885-000	1	A20010102	8
035893-000	1	A20012640	9
035895-000	1	A20012641	9
035900-000	1	A20012649	7
036200-000	12	A2002195	10
038434-002	6	A2002454	8
038434-003	6	A2002654	8
038434-004	6	A2009612	10
038434-005	6	A2009641	6
038434-006	6	A2009659	7
038434-008	6	A2009697	5, 10
038434-009	6	A21014003	4, 9
038434-010	6	E9101130BK	3
038434-012	6	E91014053	5, 10
038434-013	6	E9109655	10
038434-015	6	E9109803BK	11
038434-016	6	G30014039	10
038434-017	6	G32014020	10
038434-018	6	G4000936	7
038434-019	6	G91013598	10
038434-020	6	J2101749	3
038434-021	6	L20014077	9
038434-022	6	M0275166	6
038434-023	6	PA020028	2, 3
038434-024	6	PA020056	11
038434-025	6	PA020058	1
038434-026	6	PA070003	1
038434-027	6	PA080083	11
039293-000	7	PB020111	1, 3
041509-000	8	PB020126	2
046142-556	6, 6	PB020192	3, 11



PB020193	11	PE050208	7
PB020275	5, 10	PE050227	5
PB040050	11	PE050250	7
PB040190	2	PE060090	9
PB040192	2, 3	PE060094	9
PB040213	2, 3	PE060105	9
PB040238	3	PE070147	5, 10
PB060107	10	PE070735	12
PB070079	7	PE070739	12
PB070146	11	PE070892	1, 12
PB070191	11	PJ010047	5, 10
PD010003	1	PJ010048	10
PD010022	6	PJ030033	1
PD010028	5	PJ030035	1
PD020010	5, 10, 11	PM010014	5
PD020014	5, 10	PM010160	10
PD020032	1, 4, 6, 9		
PD020033	1, 4, 9		
PD020043	11		
PD020044	1		
PD020046	1		
PD020048	5, 10		
PD020055	5, 8		
PD020061	10		
PD020062	1, 5, 10		
PD020063	4, 5, 9, 10		
PD020067	10		
PD020073	9		
PD020076	11		
PD020232	5, 10		
PD030006	4		
PD030010	4, 9		
PD030149	5		
PD040004	1		
PD040005	5, 8, 11		
PD040075	11		
PD040152	6, 7, 11		
PE010030	4		
PE010068	4		
PE050115	10		
PE050206	2, 5, 10		