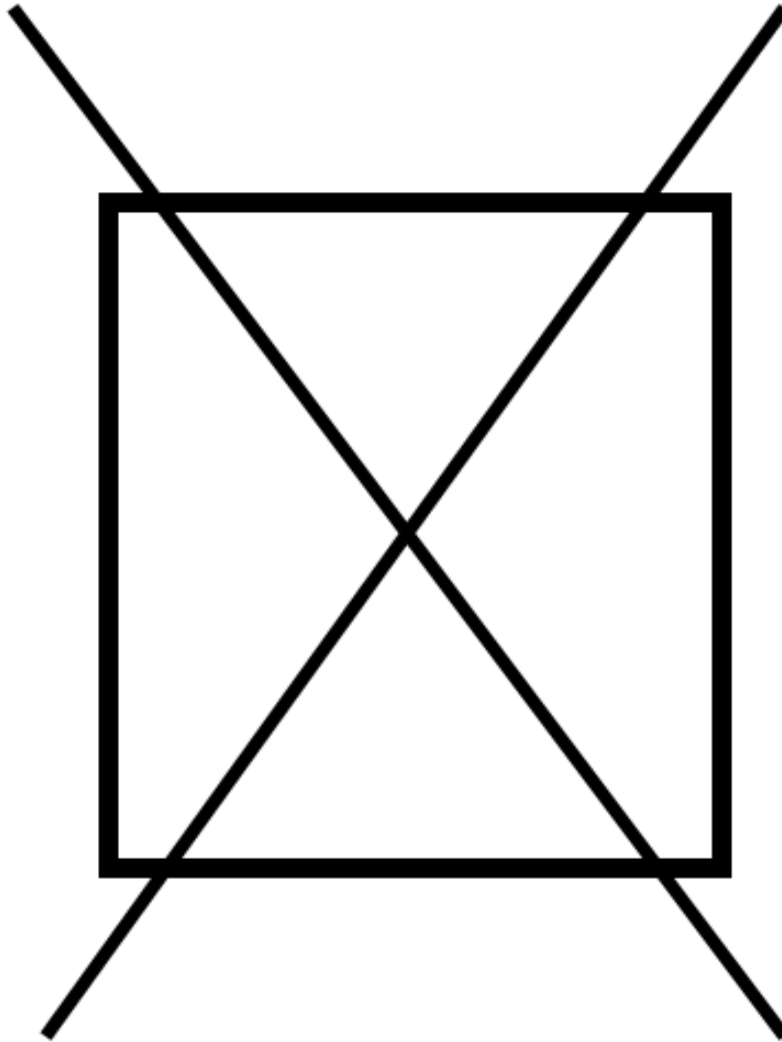


# **VDSC548-6Q**

BAKE EL HARN .....	1
BAKE ELEM LT HARN .....	2
BASE MODULE .....	3
BURNER BOX .....	4
BURNER SURFACE .....	5
COMM HARN .....	6
CONTROL PANEL .....	7
CP HARN .....	8
DOOR ASSY LT .....	9
DOOR ASSY RT .....	10
DSI HARN .....	11
FAN ASSY LT .....	12
FAN ASSY RT .....	13
GRDL HARN .....	14
IRIS HARN .....	15
IRIS PWR HARN .....	16
LH HEADER .....	17
LIGHT SW HARN .....	18
LIMIT JUMPER .....	19
OVEN INTERIOR .....	20
OVEN LT HARN .....	21
OVEN MODULE LT .....	22
OVEN MODULE RT .....	23
OVEN RT HARN .....	24
PWR HARN .....	25
RH HEADER .....	26
SIGLE OVEN HEADER .....	27
TEST HARN .....	28
TRIM .....	29
Appendix A:Pages Index .....	A
Appendix B:Parts Index .....	B



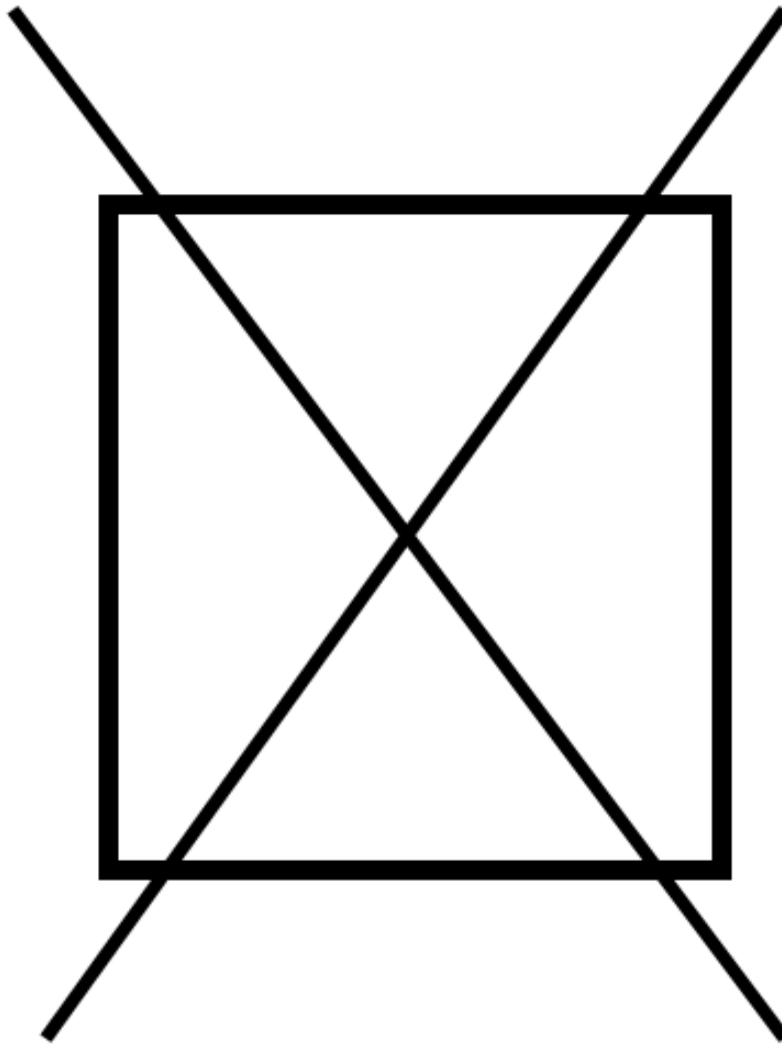
# NON ILLUSTRATED PART





Item	Part No.	Name	Qty	Uom	NOTES
NI	PE070739	BAKE ELEMENT HARNESS	1	EA	

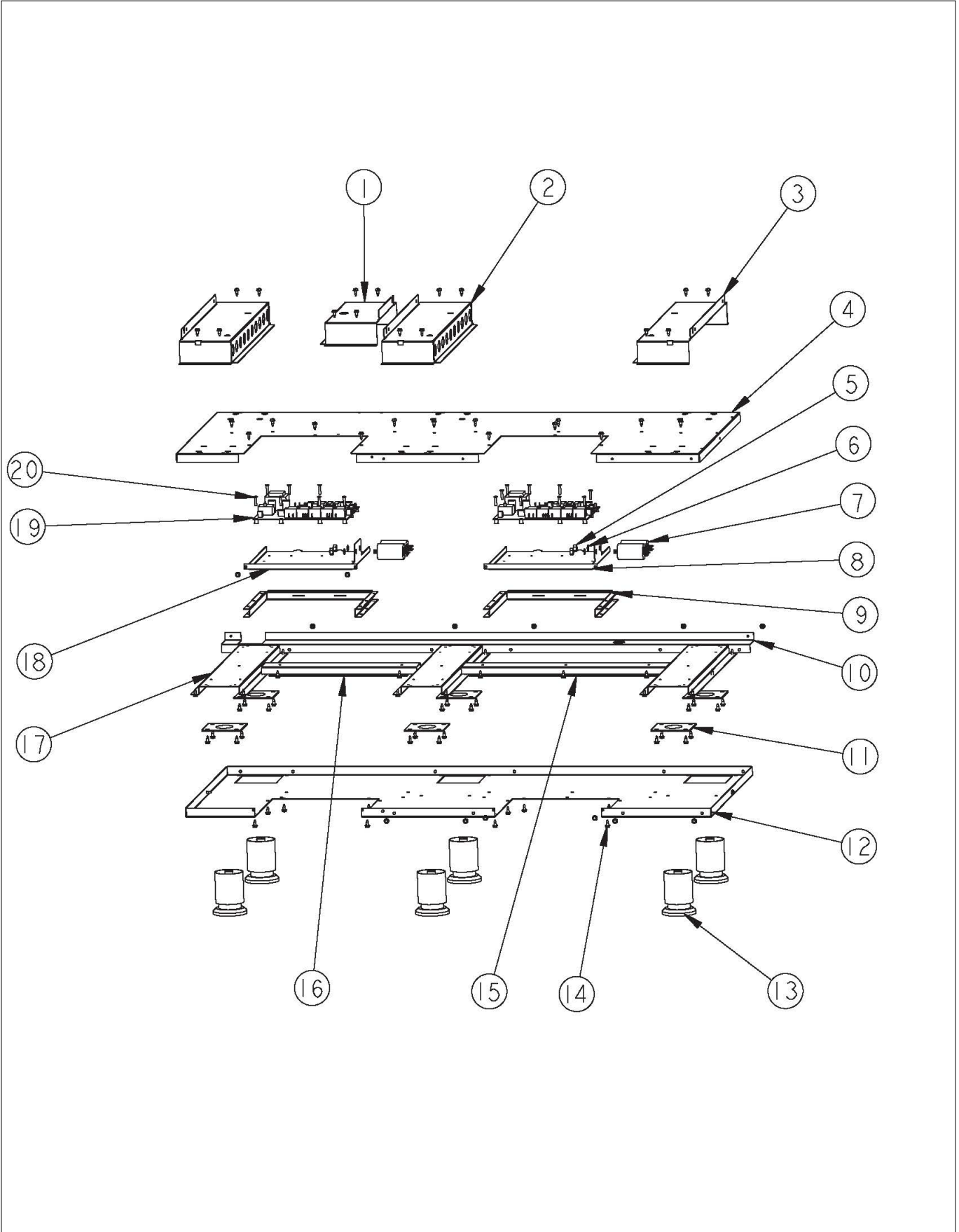
NON  
ILLUSTRATED PART





Item	Part No.	Name	Qty	Uom	NOTES
NI	013406-000	HARNESS, BAKE, ELEMENT, VDSC18"	1	EA	

BASE MODULE







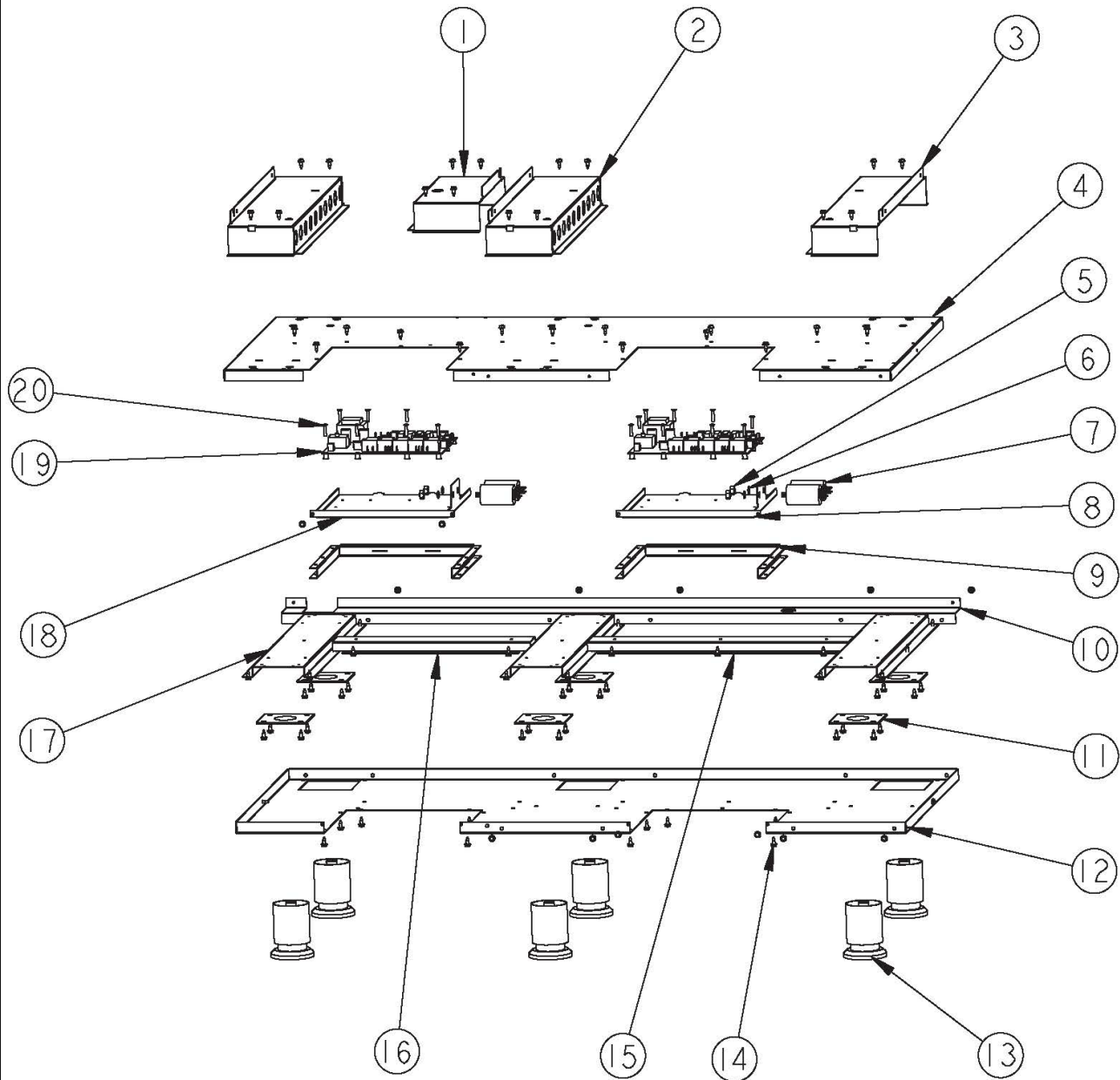
Item	Part No.	Name	Qty	Uom	NOTES
1	006234-000	SUPPORT,OVEN,BOT,RH,VDSC 548	1	EA	
2	003763-000	OVEN MODULE SUPPORT CHANNEL, LH	2	EA	
3	003761-000	OVEN MODULE SUPPORT CHANNEL, RH	1	EA	
4	006155-000	RANGE, BASE, TOP, VDSC548	1	EA	
5	PD030172	M8 X 1.25MM NUT	4	EA	
6	PD040164	5/16 INTERNAL TOOTH LOCK WASHER TYPE A	4	EA	
7	036047-000	CAPACITOR, CONV MOTOR, INTL	4	EA	
8	015096-000	PLATE, MTG, EOC4 CONTROL BOARD	1	EA	
9	003054-000	BASE CENTER CUTOUT STIFFENER	2	EA	
10	006158-000	RANGE BASE, BACK, VDSC 48"	1	EA	
11	PC030007	LEG PLATE - 3/4" THREADED HOLE	6	EA	
12	006154-000	RANGE, BASE, BOT, VDSC548	1	EA	
13	044178-000	RANGE, LEG, ADJUSTABLE	6	EA	
14	003860-000	10-18 x .500 FASTNR,SCR,HXWH,STL,ZPLT	110	EA	
15	003055-000	BASE CENTER SUPPORT CHANNEL	1	EA	
16	006156-000	RANGE, BASE, LH, CROSS SUPPORT, VDSC548	1	EA	
17	003053-000	BASE LEG SUPPORT CHANNEL	3	EA	
18	015096-000	PLATE, MTG, EOC4 CONTROL BOARD	1	EA	
19	002406-000	CONTROL BOARD	2	EA	

Comments for Part Num. 002406-000

haarnink@vikingrange.com on Jun 18, 2015

For the international E Model numbers EVDSC5 we need to add the info that since First unit was EVDSC530S4B: 092314C10147281 any EVDSC built in 2014 went into production with EOC4. so here we need to add the part number 014000-000 EOC4 plus the SMPS part number 013999-000

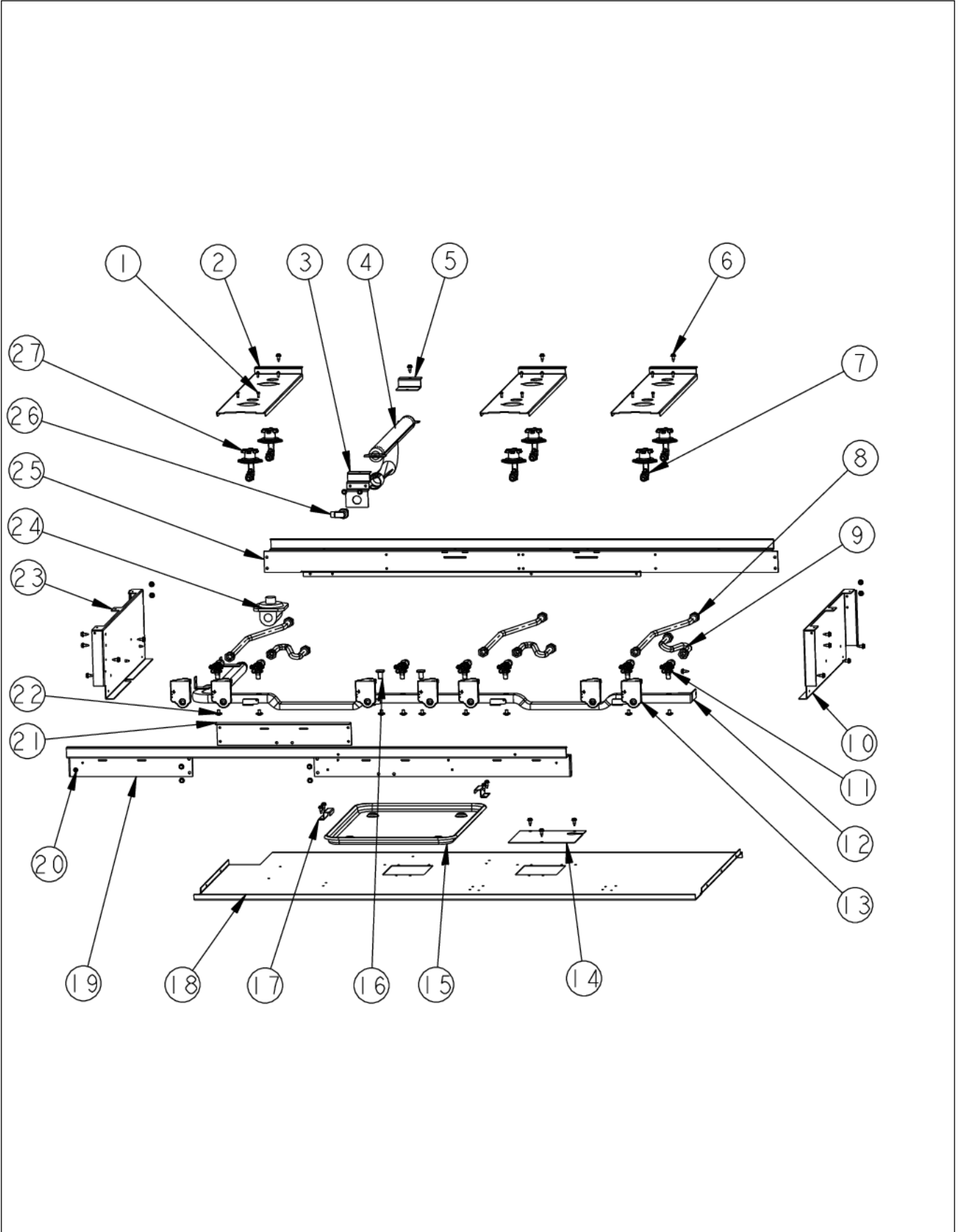
Not Shown	NOTE	(BEFORE 7/29/10)		EA	
-----------	------	------------------	--	----	--





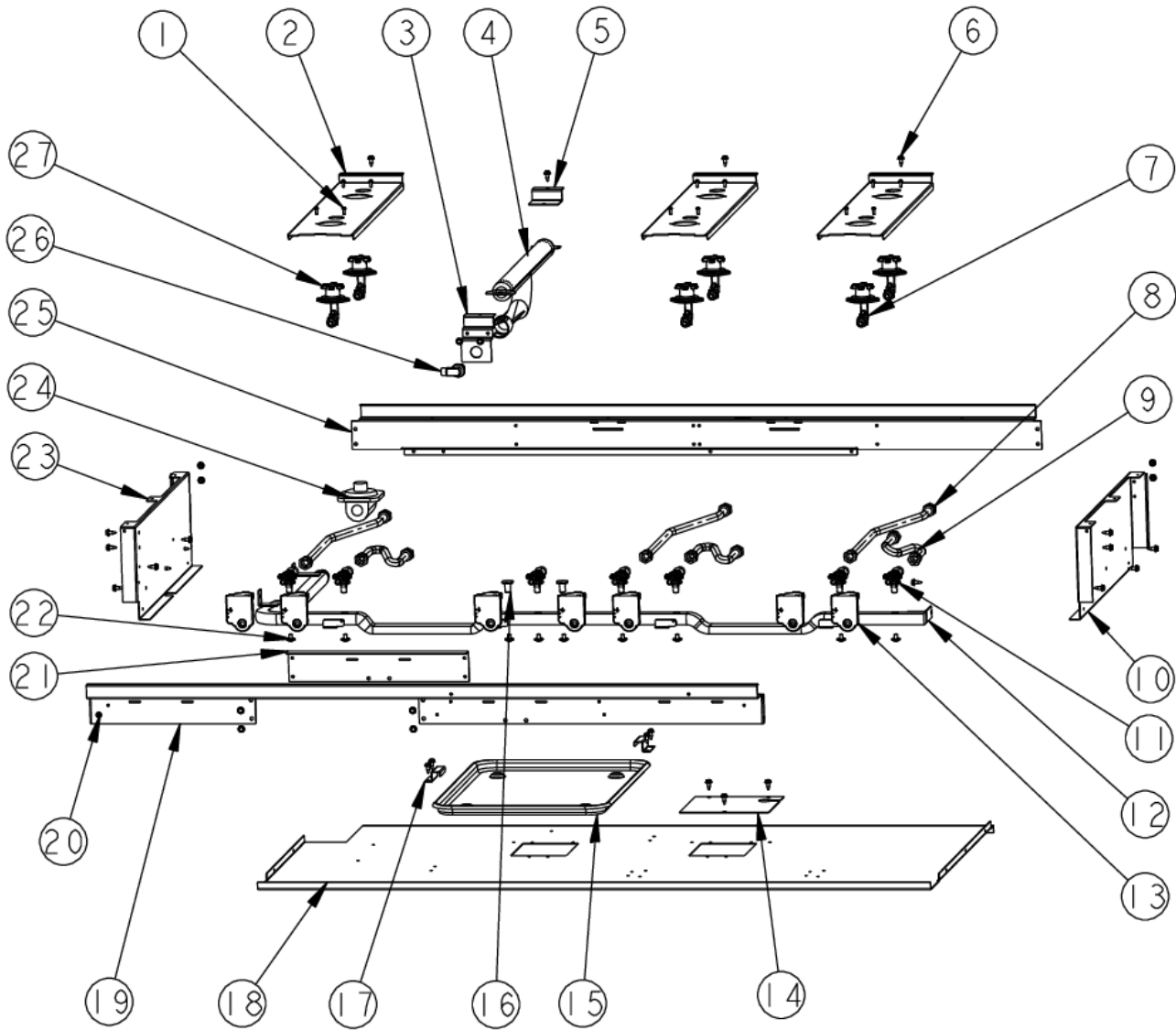
Item	Part No.	Name	Qty	Uom	NOTES
NI	046142-556	CONTROL, EOC4, LED, V39/V51 & FAMILY	2	EA	
Not Shown	NOTE	(ON OR AFTER 7/29/10)		EA	
NI	038417-000	EOC4 POWER SUPPLY BOARD, CB	1	EA	
Not Shown	NOTE	(ON OR AFTER 7/29/10)		EA	
20	PD020043	#6-32 X .750 PH. CTRSK T(F)-VGSO166	18	EA	
NI	006802-002	COVER, ACS, LWR-VDSC548, BK	1	EA	Not available online / Call for pricing and availability
NI	024909-000	SHIELD, WRG	1	EA	

BURNER BOX





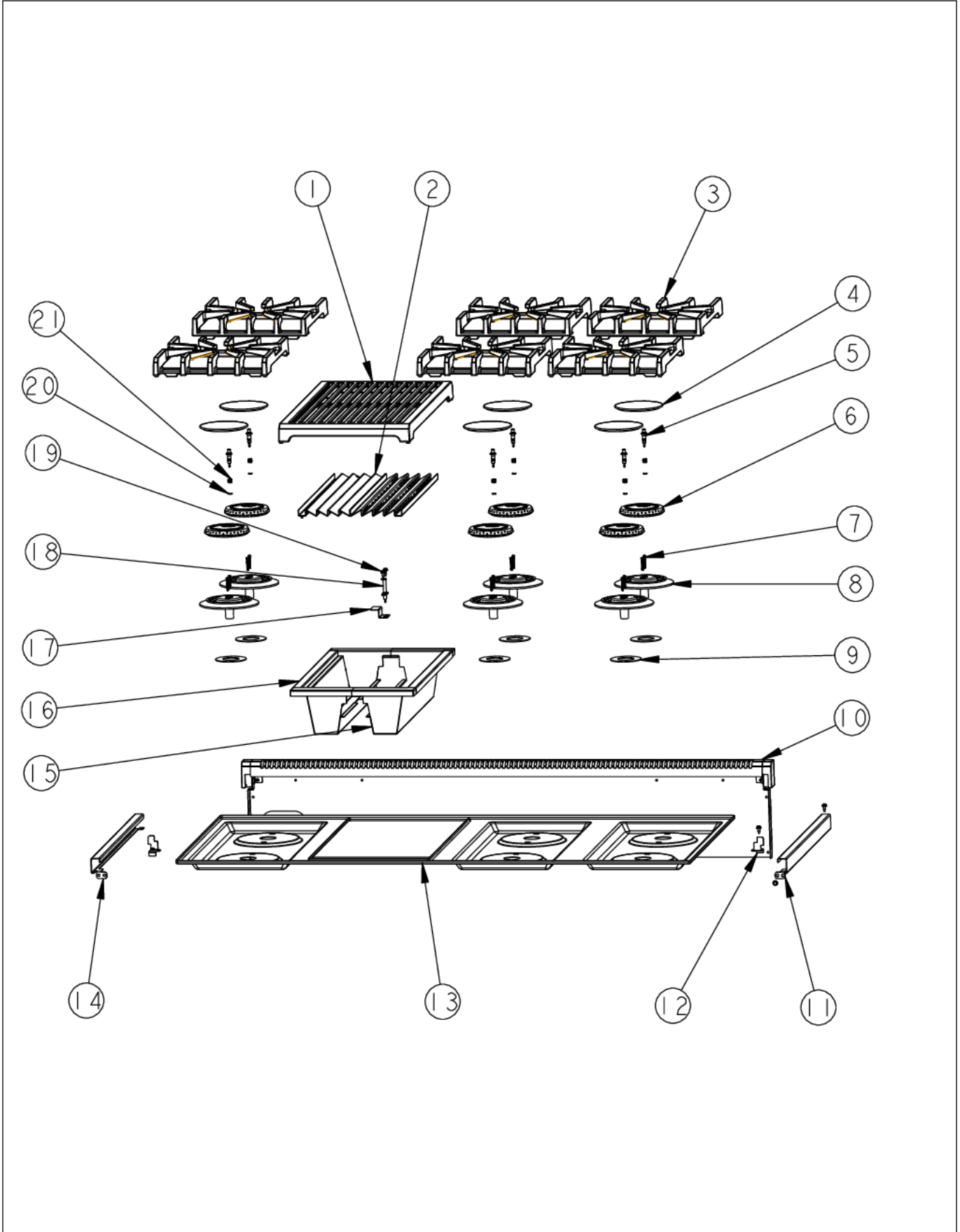
Item	Part No.	Name	Qty	Uom	NOTES
1	PD020076	6-32 X 3/8" PHILL PAN MS	4	EA	
2	002923-000	BURNER MODULE SUPPORT	4	EA	
3	007776-000	MOUNT, GRILL, BURNER, FRONT	1	EA	
4	007878-000	BURNER, GRIL, ASM	1	EA	
5	008636-000	BRACKET, BURNER, GRILL, REAR	1	EA	
6	003860-000	10-18 x .500 FASTNR,SCR,HXWH,STL,ZPLT	34	EA	
7	001394-041	18500 BTU NAT JETHOLDER	1	EA	
7	001394-046	12.5 K BTU LP JETHOLDER	1	EA	
8	PB020193	16" FLEX TUBING W/CONNECTORS	3	EA	
9	PB020192	10" FLEX TUBING W/CONNECTORS	3	EA	
10	002755-000	BURNER BOX SIDE, RH	1	EA	
11	006313-000	VALVE, BRS, SEALED TOP	7	EA	
12	006712-000	MANIFOLD, GAS, VDSC48"- 8B/6Q	1	EA	
13	PA020058	IRIS SINGLE SPARK MODULE	7	EA	
14	008904-000	BURNER BOX, DSI COVER	2	EA	
Not Shown	NOTE	(BEFORE 01/20/11)		EA	
14	024398-000	COVER, ACS, DSI	1	EA	
Not Shown	NOTE	(ON OR AFTER 01/20/11)		EA	
15	J2101749	GREASE PAN	1	EA	
16	002884-000	MANIFOLD PLUG	1	EA	
17	008286-000	BRACKET,DRIP,PAN,CUSTOM, Q-MODELS	2	EA	
18	006240-000	BURNER BOX BOTTOM,FLAT,VDSC548	1	EA	
Not Shown	NOTE	(BEFORE 01/20/11)		EA	
18	024684-000	BURNER,BOX,BOT,VDSC548T	1	EA	
Not Shown	NOTE	(ON OR AFTER 01/20/11)		EA	
19	008461-000	SUPPORT, FRONT	1	EA	





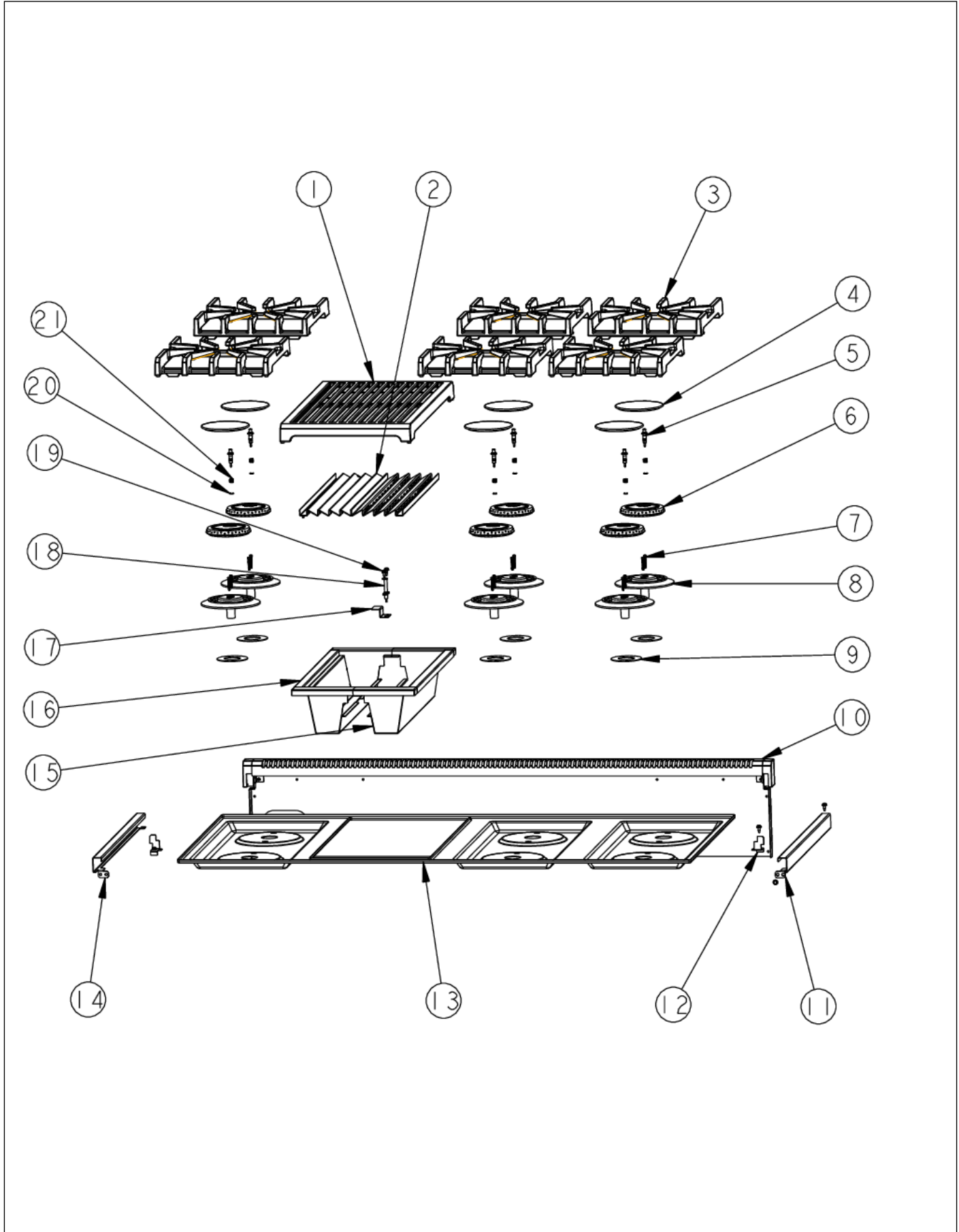
Item	Part No.	Name	Qty	Uom	NOTES
20	PD020010	10 X 3/8 GREEN GROUNDING SCREW	1	EA	
21	012771-000	RANGETOP, BRKT, FR, VDSC CUSTOM	1	EA	
22	PD010012	VALVE BOLT 1/4-20 UNC-2B 5/16" M.S.	8	EA	
23	003481-000	BURNER BOX SIDE, LH	1	EA	
24	PA070003	PRESSURE REGULATOR (NAT.)	1	EA	
25	008464-000	BRNR BOX, REAR, FLAT, SUPPORT, VD SC5484GQ 48"	1	EA	
26	PB040238	90 DEGREE ORIFICE FITTING, NAT #47	1	EA	
27	001394-042	15000 BTU NAT JETHOLDER	1	EA	
27	001394-044	16.6 K BTU LP JETHOLDER	1	EA	

BURNER SURFACE





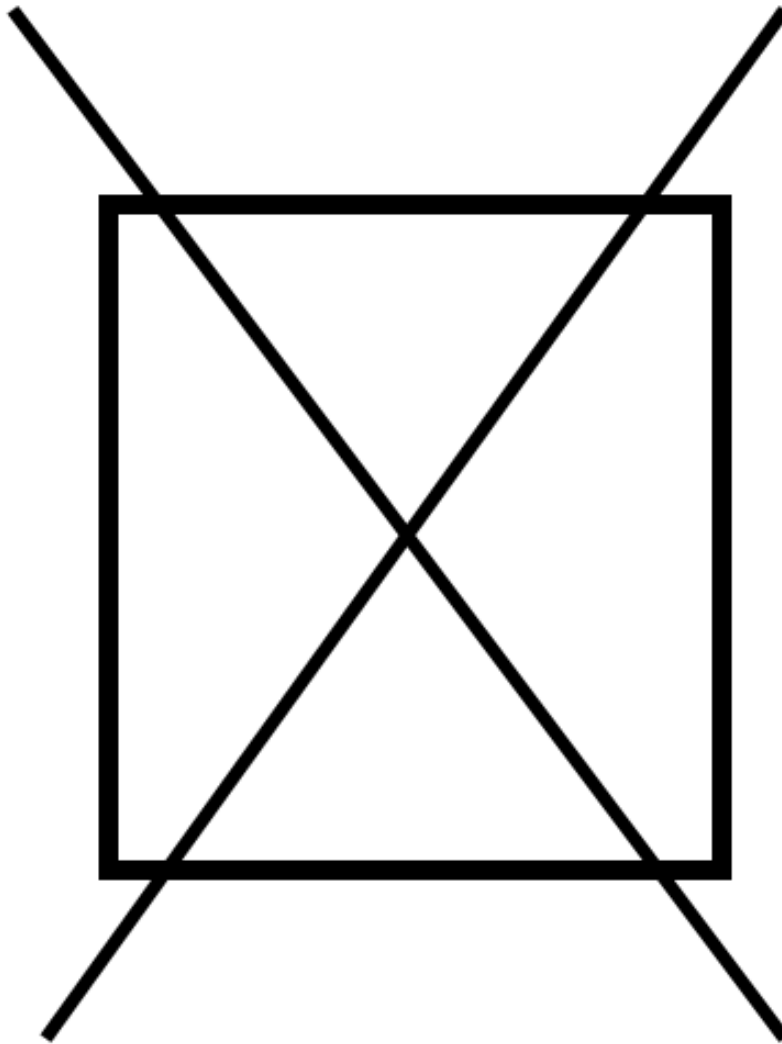
Item	Part No.	Name	Qty	Uom	NOTES
1	010168-000	CUSTOM RANGE GRILL GRATE	1	EA	
2	E9101130BK	GRILL SMOKE GENERATOR	1	EA	
3	007323-000	BURNER GRATE	6	EA	
Not Shown	NOTE	(BEFORE 11/21/14)		EA	
3	049420-000	GRATE, BURNER, ASM	6	EA	
Not Shown	NOTE	(ON OR AFTER 11/21/14)		EA	
NI	PD040075	RUBBER FOOT	24	EA	
Not Shown	NOTE	(BEFORE 11/21/14)		EA	
NI	049416-000	BUMPER, GRATE	24	EA	
Not Shown	NOTE	(ON OR AFTER 11/21/14)		EA	
4	PA080083	D BURNER CAP *MATTE BLACK*	6	EA	
5	N/A	BURER IGNIGHTER	6	EA	
Not Shown	NOTE	(MUST ORDER SEALED BURNER BASE ASM)		EA	
6	018200-000	ADJUSTED SEALED BURNER HEAD	6	EA	
7	009197-000	#6-32 X 5/8 18-8 SS NC SOC CAP	12	EA	
8	003322-041	SEALED BURNER BASE, PAINTED FINISH- GRAY	6	EA	
9	003319-000	GASKET, SILICONE	6	EA	Not available online / Call for pricing and availability
Comments for Part Num. 003319-000  bradleysapplianceservice@shaw.ca on Jun 28, 2017 SUBS TO: 003322-041 SEALED BURNER BASE, PAINTED FINISH GRY/CHARCOAL					
10	041509-000	TRIM, IS, ASSY, 48"	1	EA	
11	002920-000	TOP TRIM RING, RH	1	EA	
12	004021-000	SUPPORT,TRIM,SIDE	1	EA	
13	E9109801BK	48" SEALED COOKTOP 6BG & 6BQ *BK*	1	EA	
14	003649-000	TOP TRIM RING, LH	1	EA	





Item	Part No.	Name	Qty	Uom	NOTES
15	013593-000	PAN, DRIP, ASM, RIGHT	1	EA	
16	013595-000	PAN, DRIP, ASM, LEFT	1	EA	
17	007878-000	BURNER, GRIL, ASM	1	EA	
18	PA020028	SPARK IGNITER	1	EA	
19	003860-000	10-18 x .500 FASTNR,SCR,HXWH,STL,ZPLT	6	EA	
20	N/A	CLIP, IGNIGHTER	6	EA	
Not Shown	NOTE	(MUST ORDER SEALED BURNER BASE ASM)		EA	
21	N/A	SPRING, IGNGHTER	6	EA	
Not Shown	NOTE	(MUST ORDER SEALED BURNER BASE ASM)		EA	

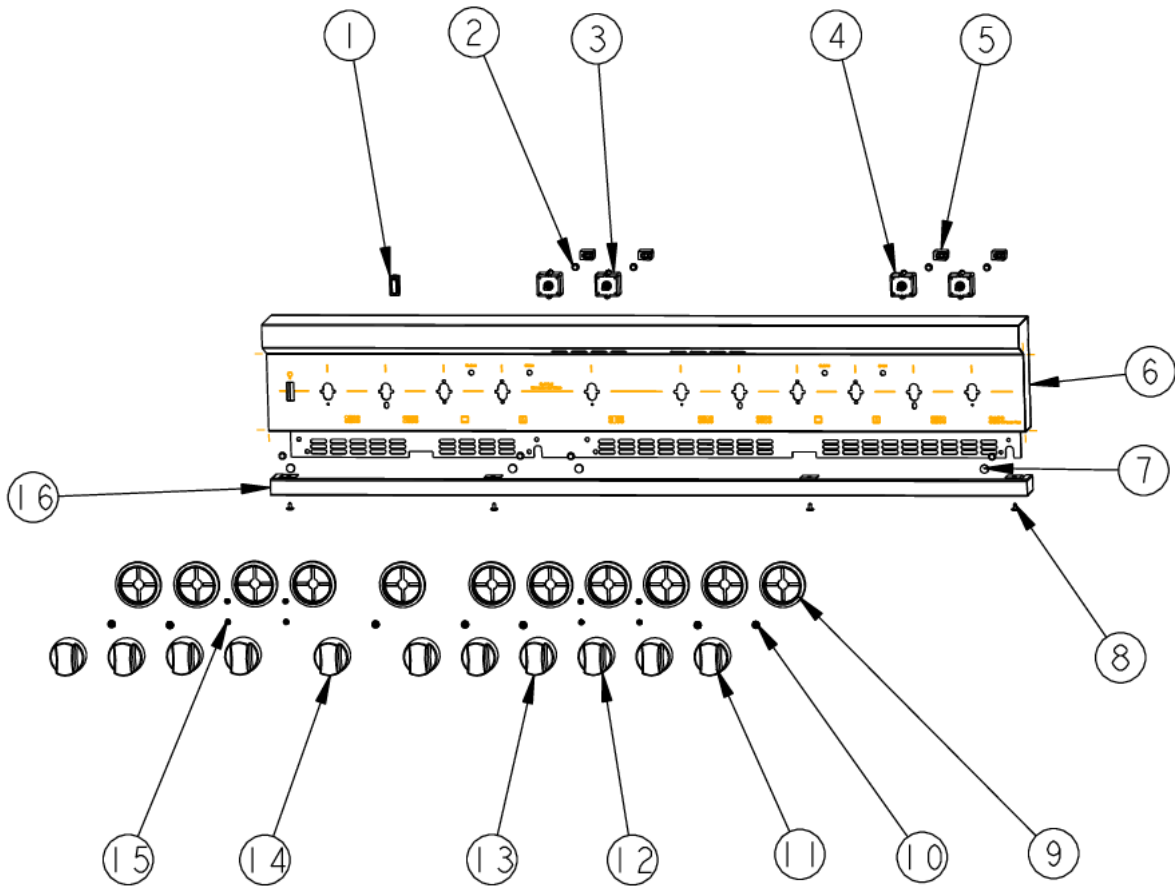
# NON ILLUSTRATED PART





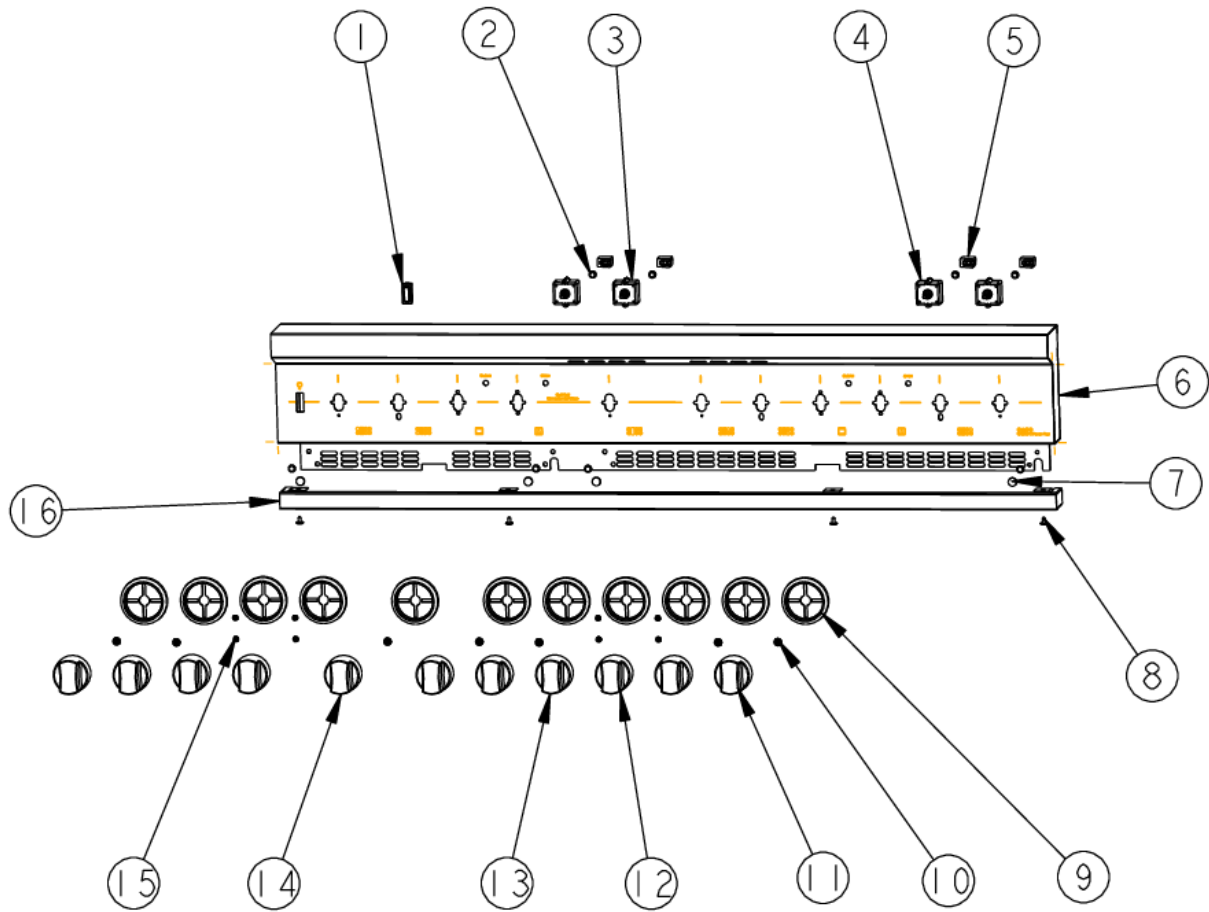
Item	Part No.	Name	Qty	Uom	NOTES
NI	011729-000	EOC COMM. HARNESS	1	EA	

CONTROL PANEL





Item	Part No.	Name	Qty	Uom	NOTES
1	003719-000	OVEN LIGHT SWITCH, BLACK	1	EA	
2	PE050023	OVEN IND. LIGHT (LENS & BEZEL)	4	EA	
Not Shown	NOTE	(BEFORE 7/29/10)		EA	
NI	021336-000	INDICATOR, LT, RED, CHROME BEZEL, LED	5	EA	
Not Shown	NOTE	(7/29/10 - 7/12/11)		EA	
NI	015043-000	INDICATOR, LIGHT, BLUE LED	5	EA	
Not Shown	NOTE	(ON OR AFTER 7/13/11)		EA	
3	PJ030035	THERMOSTAT	2	EA	
<p>Comments for Part Num. PJ030035</p> <p>parts@lvdistributes.com on Feb 7, 2018  this is not the correct part for this range it should be a 003225-000  Reply by JREXEC02@AOL.COM on Feb 27, 2018  003225-000 is an Induction Control.</p> <p>PJ030035 is the red colored thermostat for the Gas Range  *****</p>					
4	PJ030033	SELECTOR (10 POS)	2	EA	
5	PE050072	LENS OPENING	4	EA	
Not Shown	NOTE	(BEFORE 7/29/10)		EA	
NI	021336-000	INDICATOR, LT, RED, CHROME BEZEL, LED	5	EA	
Not Shown	NOTE	(7/29/10 - 7/12/11)		EA	
NI	015043-000	INDICATOR, LIGHT, BLUE LED	5	EA	
Not Shown	NOTE	(ON OR AFTER 7/13/11)		EA	
6	042179-2115	PNL, CTRL, ASM, VDSC548-6Q W/GRAPHICS	1	EA	
7	PD040004	GROMMET BUMPER	4	EA	
8	PD020032	SRW-8(A)X3/8"PH.WFR HD 7/16DIA*NICL	8	EA	
9	050172-000	BEZEL, KNOB	11	EA	
10	PD020046	#8 X 1/2 SCREWS	7	EA	

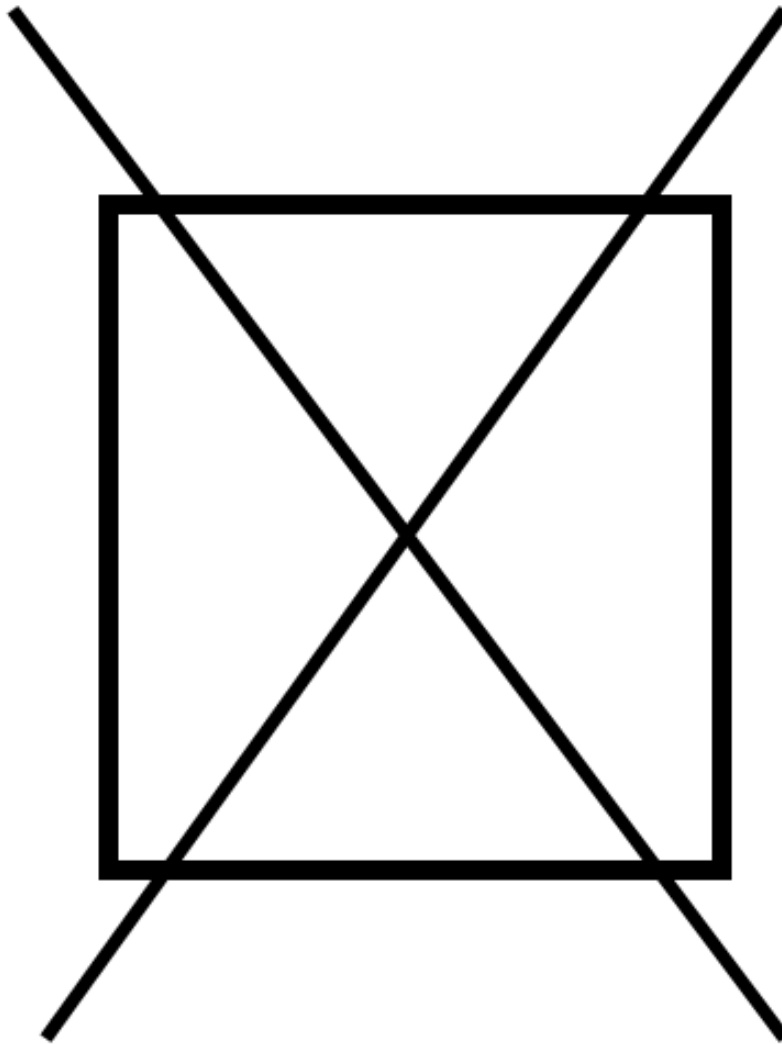






Item	Part No.	Name	Qty	Uom	NOTES
11	005269-000	RANGE TOP BURNER KNOB-BRUSHED, SSS	6	EA	
12	005270-000	RANGE THERMOSTAT KNOB-BRUSHED, SSS	2	EA	
13	005271-000	RANGE SELECTOR KNOB-BRUSHED, SSS	2	EA	
14	006574-000	KNOB, GRL, ASM, PVD, #3, SSS	1	EA	
15	PD020062	#8-32 X 3/8 PHMS TYPE 1	8	EA	
16	006424-000	HANDLE, DRIP, ASM, SST, VDSC548	1	EA	
NI	008312-000	CONTROL PANEL MODULE, VDSC548-6Q SS	1	EA	

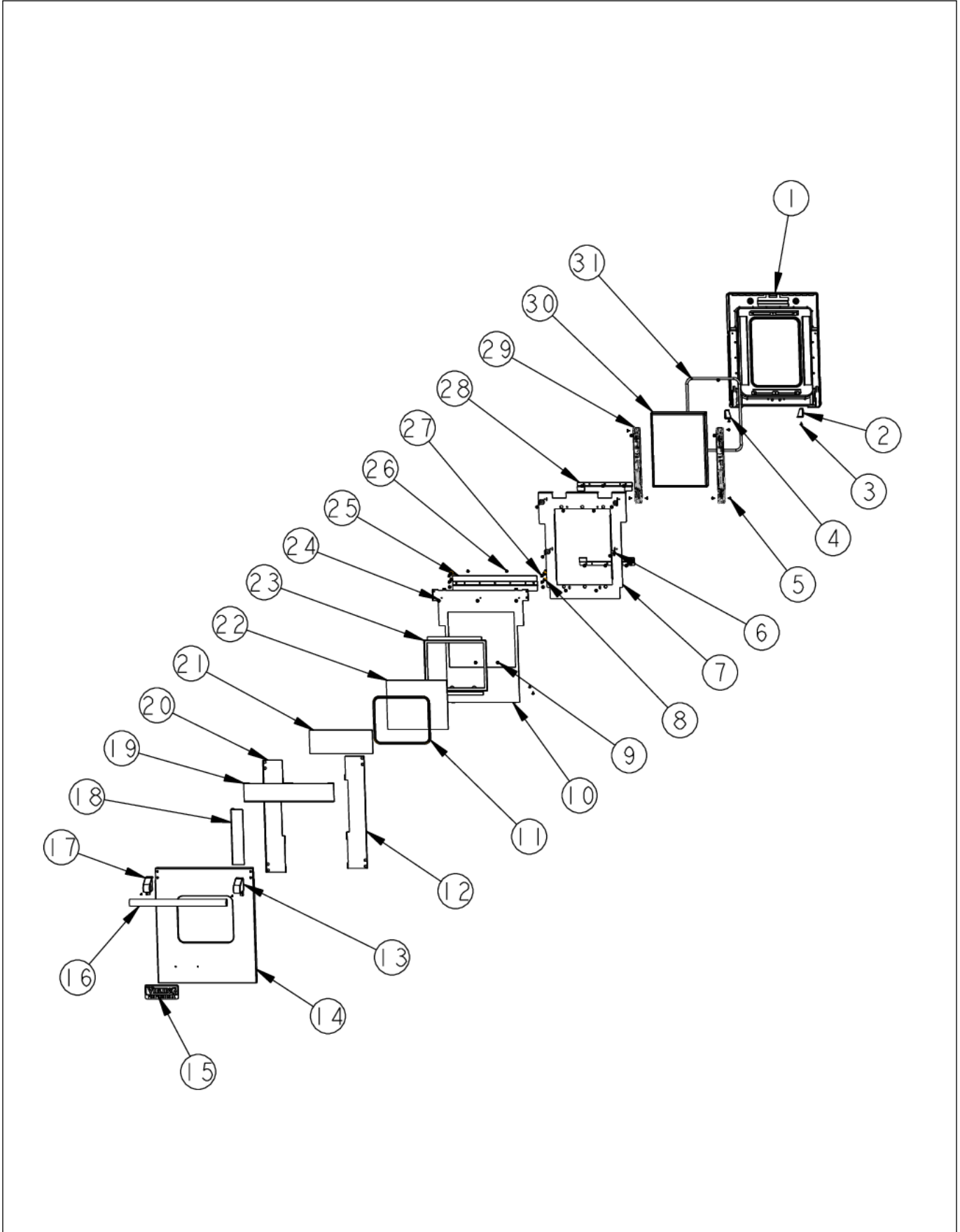
NON  
ILLUSTRATED PART



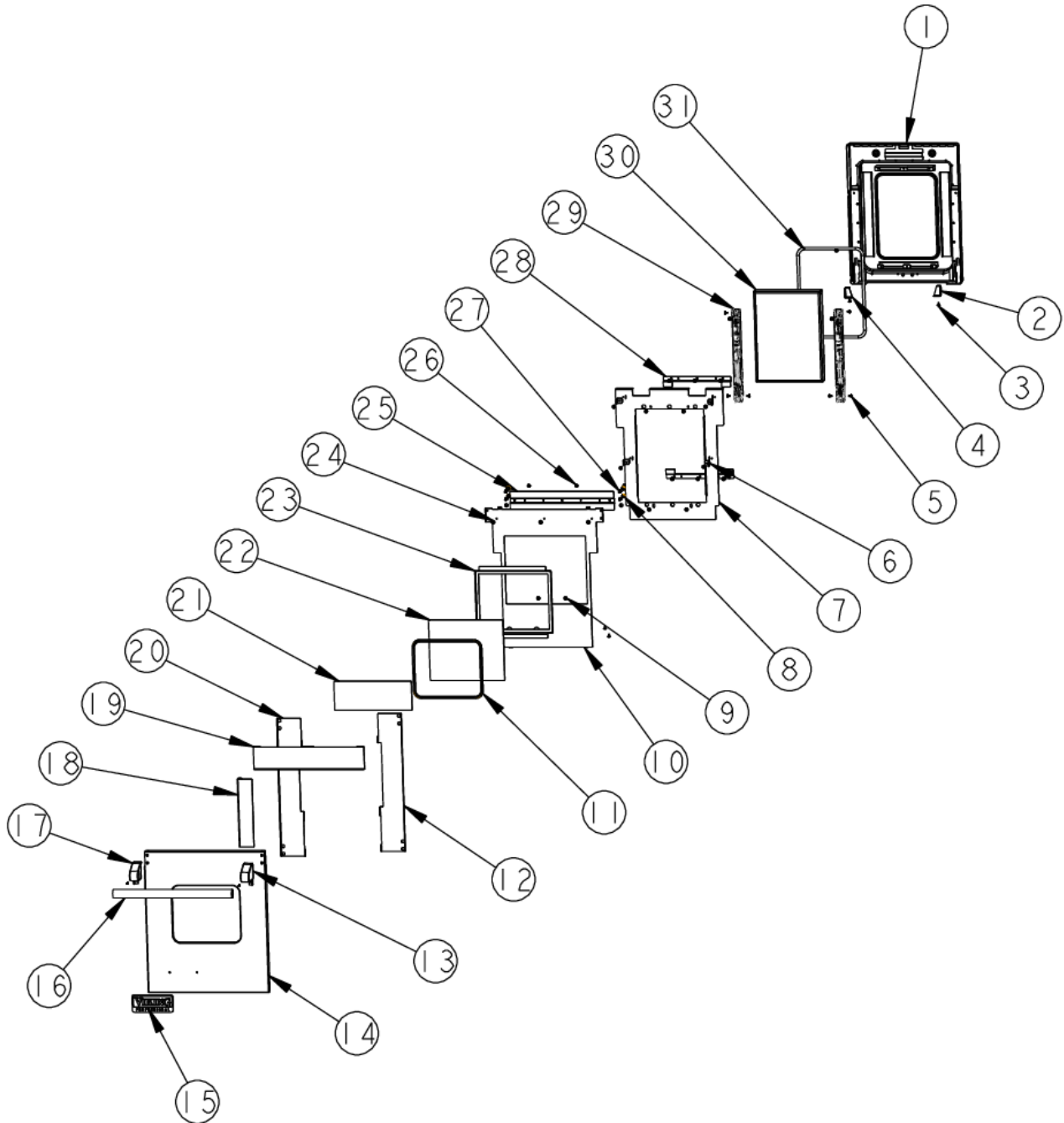


Item	Part No.	Name	Qty	Uom	NOTES
NI	004133-000	CONTROL PANEL HARNESS	1	EA	
Not Shown	NOTE	(BEFORE 7/29/10)		EA	
NI	020019-000	HARNESS, WRG, CONTROL	1	EA	
Not Shown	NOTE	(ON OR AFTER 7/29/10)		EA	

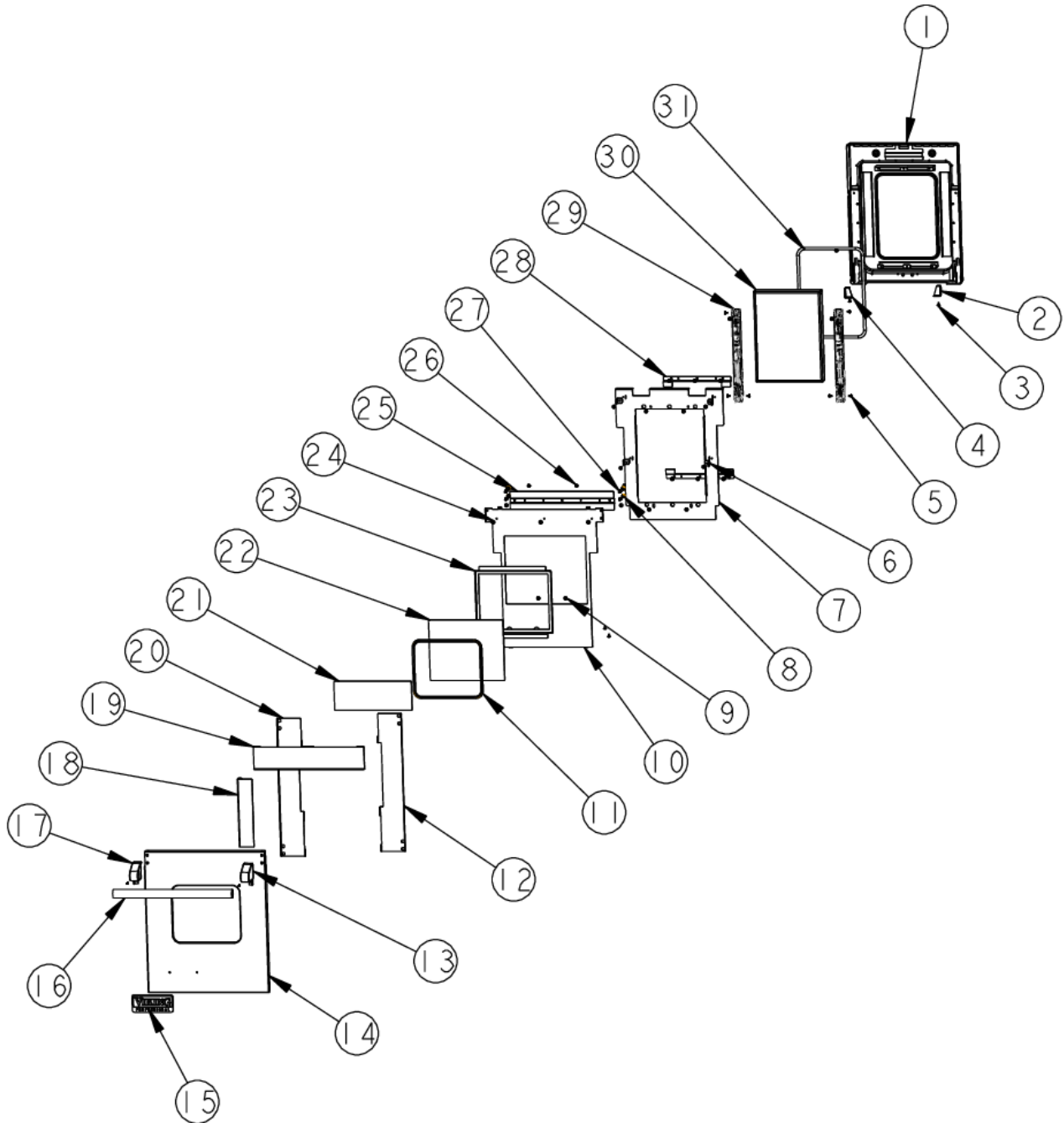
DOOR ASSY LT



Item	Part No.	Name	Qty	Uom	NOTES
1	002709-000	DOOR LINER WELDED ASM, VDSC18	1	EA	
Not Shown	NOTE	(BEFORE 12/20/12)		EA	
1	002709-402	LINER, DOOR, WLD, ASSY 18" BK	1	EA	
Not Shown	NOTE	(ON OR AFTER 12/20/12)		EA	
2	006807-000	HINGE, BRACKET, RH	1	EA	
3	PD020032	SRW-8(A)X3/8"PH.WFR HD 7/16DIA*NICL	6	EA	
4	006808-000	HINGE, BRACKET, LH	1	EA	
5	PD020063	SCREW-#8(A) X 3/8"PH WFR HD/BK OXID	23	EA	
6	009426-000	STANDOFF, BRACKET, DOOR, LINER, VDSC18"	4	EA	
7	006209-000	DOOR LINER INSULATION RETAINER, 18"	1	EA	
8	004907-000	STEEL FINISHING PLUG, NICKEL PLTD 25/64" HOLE	4	EA	
9	PD030006	CAPPED WASHER PAL NUT	2	EA	
10	006223-000	PANEL, INSL, ASM, DOOR	1	EA	
11	NOT FIELD REPLACEABLE	DOOR, SKIN, J-MOLD	1	EA	
Not Shown	NOTE	(MUST ORDER ITEM #14)		EA	
12	009427-000	BRACKET, DOOR, LH	1	EA	
13	003012-000	DOOR HANDLE ENDCAP ASSY, RH (CHROME)	1	EA	
13	003012-100	DOOR HANDLE ENDCAP ASSY, RH (BRASS) - NLA	1	EA	
14	023353-000	SRV DOOR SKIN KIT, VDSC548, LH,SS	1	EA	
14	021308-002	LH DOOR SKIN SRV ASM - BK	1	EA	
14	021308-003	LH DOOR SKIN SRV ASM - BT	1	EA	
14	021308-004	LH DOOR SKIN SRV ASM - SG	1	EA	
14	021308-005	LH DOOR SKIN SRV ASM - GG	1	EA	
14	021308-006	LH DOOR SKIN SRV ASM - WH	1	EA	
14	021308-008	LH DOOR SKIN SRV ASM - BU	1	EA	
14	021308-009	LH DOOR SKIN SRV ASM - LE	1	EA	

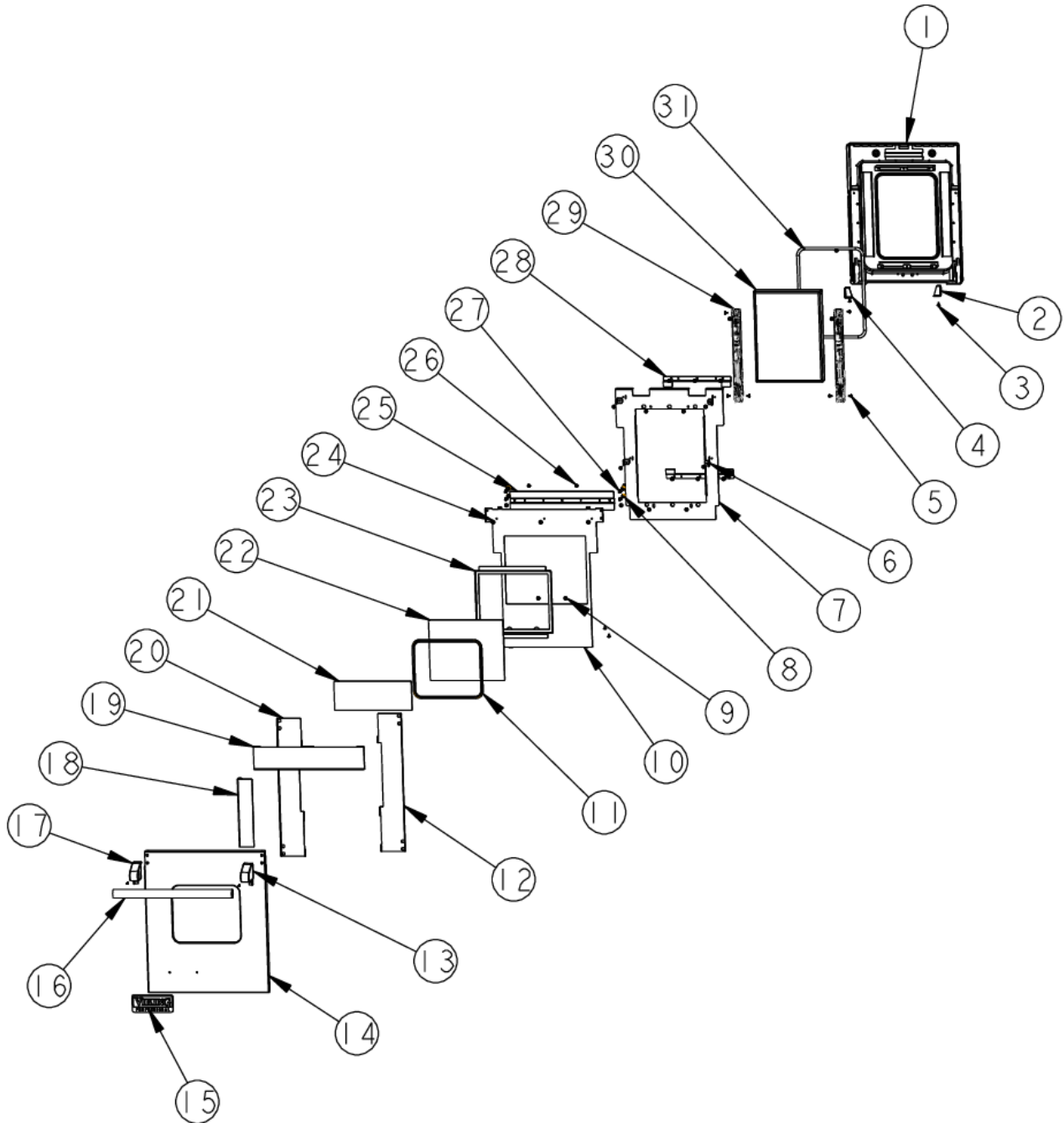


Item	Part No.	Name	Qty	Uom	NOTES
14	021308-010	LH DOOR SKIN SRV ASM - MJ	1	EA	Not available online / Call for pricing and availability
14	021308-012	LH DOOR SKIN SRV ASM - VB	1	EA	
14	021308-013	LH DOOR SKIN SRV ASM - CB	1	EA	
14	021308-015	LH DOOR SKIN SRV ASM - PL	1	EA	
14	021308-016	LH DOOR SKIN SRV ASM - CH	1	EA	
14	021308-017	LH DOOR SKIN SRV ASM - TP	1	EA	
14	021308-018	LH DOOR SKIN SRV ASM - CW NLA	1	EA	
14	021308-019	LH DOOR SKIN SRV ASM - OG	1	EA	
14	021308-020	LH DOOR SKIN SRV ASM - GM	1	EA	
14	021308-021	LH DOOR SKIN SRV ASM - SA	1	EA	
14	021308-022	LH DOOR SKIN SRV ASM - SE	1	EA	
14	021308-023	LH DOOR SKIN SRV ASM - IB	1	EA	
14	021308-024	LH DOOR SKIN SRV ASM - AR	1	EA	
14	021308-025	LH DOOR SKIN SRV ASM - RR	1	EA	
14	021308-026	LH DOOR SKIN SRV ASM - PM	1	EA	Not available online / Call for pricing and availability
14	021308-027	LH DOOR SKIN SRV ASM - MS	1	EA	
15	PE010030	LOGO	1	EA	
16	006221-000	18" DOOR HANDLE, SST	1	EA	
17	003011-000	DOOR HANDLE ENDCAP ASSY, LH (CHROME)	1	EA	
17	003011-100	DOOR HANDLE ENDCAP ASSY, LH (BRASS)	1	EA	
18	011178-000	DOOR, SINK, LH, AL	1	EA	
19	006219-000	DOOR, SINK, AL	1	EA	
20	009428-000	BRACKET, DOOR, RH	1	EA	
21	006220-000	INSULATION, DOOR, SKIN, TOP, VDSC18"	1	EA	
22	NOT FIELD REPLACEABLE	DOOR, GL, OTR	1	EA	
Not Shown	NOTE	(MUST ORDER ITEM #14)		EA	

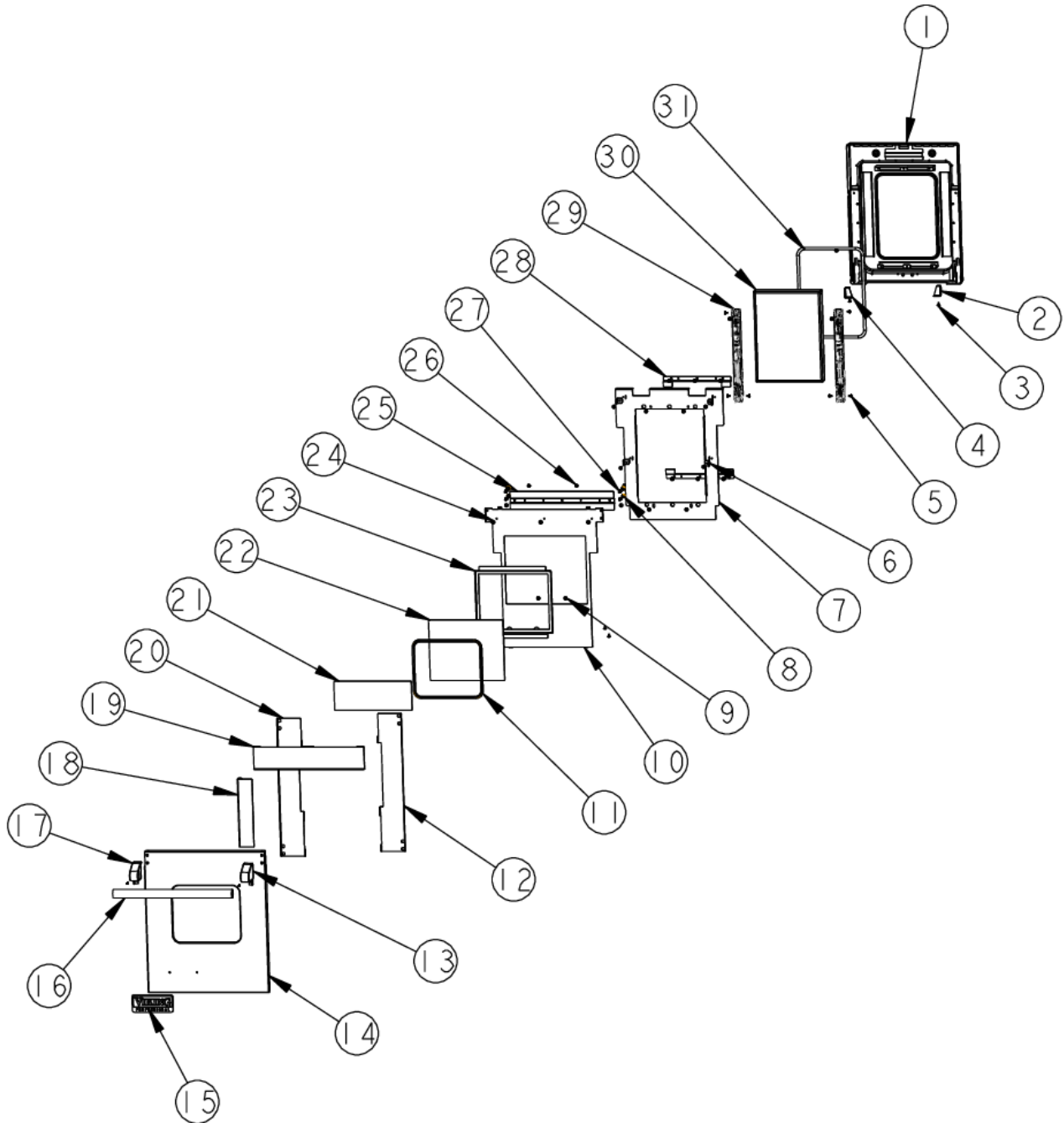




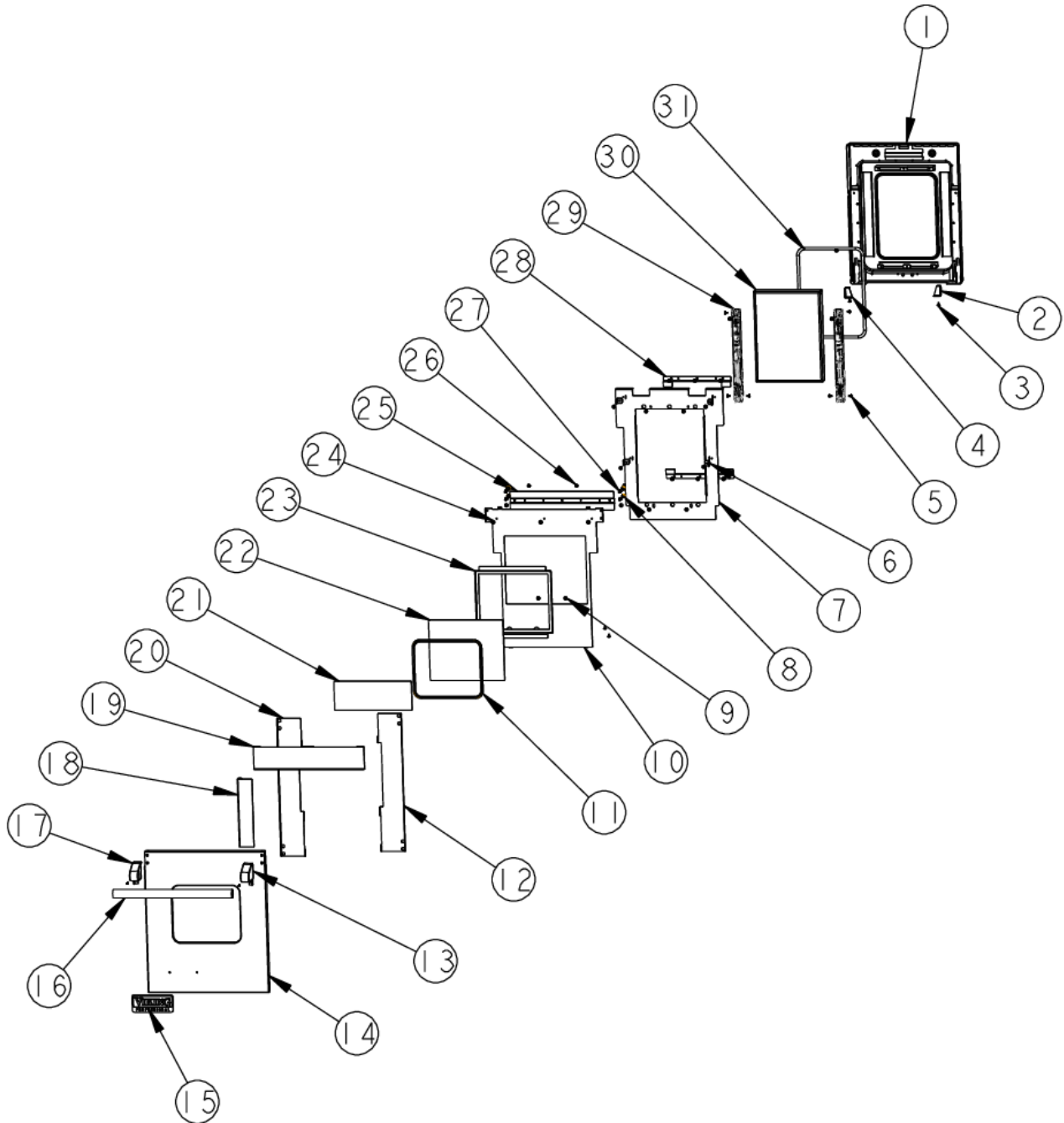
Item	Part No.	Name	Qty	Uom	NOTES
23	NOT FIELD REPLACEABLE	BRACKET, GL, OTR, AL, DOOR	1	EA	
Not Shown	NOTE	(MUST ORDER ITEM #14)		EA	
24	PD020033	SRW #10-24 X 1/2" T (23) PH WFR HD (NKL)	2	EA	
25	006225-000	BRACKET, DOOR, ASM	1	EA	
26	PD030010	#10-24 KEPS NUT ZINC PLATED	3	EA	
27	030823-000	#10-32 PAN HEAD PHILLIPS MACHINE SCREW	4	EA	
28	006207-000	DOOR GLASS HOLDER BRACKET, 18 DOOR	2	EA	
29	008276-000	HINGE, DOOR	2	EA	
30	005300-000	GLASS, WINDOW PACK, 18"	1	EA	
31	000594-000	BLACK FIBERGLASS ROPE 3/8	1	EA	
NI	006997-000	DOOR GASKET, 18	1	EA	
NI	006226-000	SKIN, DOOR, ASM - SS	1	EA	
NI	006226-100	SKIN, DOOR, ASM - BR, SS	1	EA	Not available online / Call for pricing and availability
NI	013358-002	DOOR, SKIN, ASM - BK	1	EA	
NI	013358-102	DOOR, SKIN, ASM - BR, BK	1	EA	
NI	013358-003	DOOR, SKIN, ASM - BT	1	EA	
NI	013358-103	DOOR, SKIN, ASM - BR, BT	1	EA	
NI	013358-004	DOOR, SKIN, ASM - SG	1	EA	
NI	013358-104	DOOR, SKIN, ASM - BR, SG	1	EA	
NI	013358-005	DOOR, SKIN, ASM - GG	1	EA	
NI	013358-105	DOOR, SKIN, ASM - BR, GG	1	EA	
NI	013358-006	DOOR, SKIN, ASM - WH	1	EA	
NI	013358-106	DOOR, SKIN, ASM - BR, WH	1	EA	
NI	013358-007	DOOR, SKIN, ASM - AL	1	EA	
NI	013358-107	DOOR, SKIN, ASM - BR, AL	1	EA	
NI	013358-008	DOOR, SKIN, ASM - BU	1	EA	
NI	013358-108	DOOR, SKIN, ASM - BR, BU	1	EA	
NI	013358-009	DOOR, SKIN, ASM - LE	1	EA	



Item	Part No.	Name	Qty	Uom	NOTES
NI	013358-109	DOOR, SKIN, ASM - BR, LE	1	EA	
NI	013358-010	DOOR, SKIN, ASM - MJ	1	EA	
NI	013358-110	DOOR, SKIN, ASM - BR, MJ	1	EA	
NI	013358-011	DOOR, SKIN, ASM - FG	1	EA	
NI	013358-111	DOOR, SKIN, ASM - BR, FG	1	EA	
NI	013358-012	DOOR, SKIN, ASM - VB	1	EA	
NI	013358-112	DOOR, SKIN, ASM - BR, VB	1	EA	
NI	013358-013	DOOR, SKIN, ASM - CB	1	EA	
NI	013358-113	DOOR, SKIN, ASM - BR, CB	1	EA	
NI	013358-014	DOOR, SKIN, ASM - EP	1	EA	
NI	013358-114	DOOR, SKIN, ASM - BR, EP	1	EA	
NI	013358-015	DOOR, SKIN, ASM - PL	1	EA	
NI	013358-115	DOOR, SKIN, ASM - BR, PL	1	EA	
NI	013358-016	DOOR, SKIN, ASM - CH	1	EA	
NI	013358-116	DOOR, SKIN, ASM - BR, CH	1	EA	
NI	013358-017	DOOR, SKIN, ASM - TP	1	EA	
NI	013358-117	DOOR, SKIN, ASM - BR, TP	1	EA	
NI	013358-018	DOOR, SKIN, ASM - CW NLA	1	EA	
NI	013358-118	DOOR, SKIN, ASM - BR, CW	1	EA	
NI	013358-019	DOOR, SKIN, ASM - OG	1	EA	
NI	013358-119	DOOR, SKIN, ASM - BR, OG	1	EA	
NI	013358-020	DOOR, SKIN, ASM - GM	1	EA	
NI	013358-120	DOOR, SKIN, ASM - BR, GM	1	EA	
NI	013358-021	DOOR, SKIN, ASM - SA	1	EA	
NI	013358-121	DOOR, SKIN, ASM - BR, SA	1	EA	
NI	013358-022	DOOR, SKIN, ASM - SE	1	EA	
NI	013358-122	DOOR, SKIN, ASM - BR, SE	1	EA	
NI	013358-023	DOOR, SKIN, ASM - IB	1	EA	
NI	013358-123	DOOR, SKIN, ASM - BR, IB	1	EA	
NI	013358-024	DOOR, SKIN, ASM - AR	1	EA	
NI	013358-124	DOOR, SKIN, ASM - BR, AR	1	EA	
NI	013358-025	DOOR, SKIN, ASM - RR	1	EA	
NI	013358-125	DOOR, SKIN, ASM - BR, RR	1	EA	

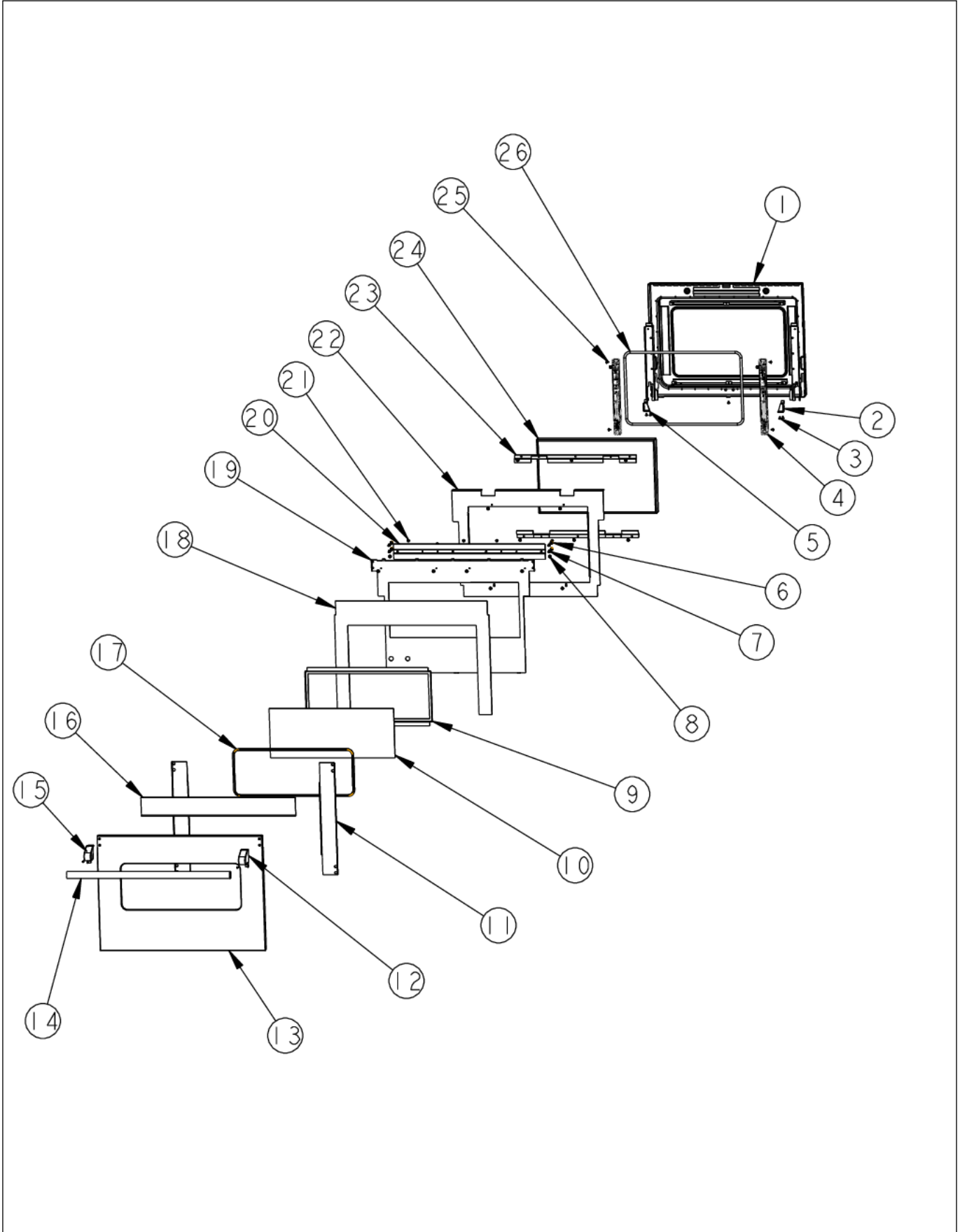


Item	Part No.	Name	Qty	Uom	NOTES
NI	013358-026	DOOR, SKIN, ASM - PM	1	EA	
NI	013358-126	DOOR, SKIN, ASM - BR, PM	1	EA	
NI	013358-027	DOOR, SKIN, ASM - MS	1	EA	
NI	013358-127	DOOR, SKIN, ASM - BR, MS	1	EA	
NI	006227-000	DOOR, ASM - SS	1	EA	
NI	006227-100	DOOR, ASM - BR, SS	1	EA	
NI	013357-002	DOOR, ASM - BK	1	EA	Not available online / Call for pricing and availability
NI	013357-102	DOOR, ASM - BR, BK	1	EA	
NI	013357-003	DOOR, ASM - BT	1	EA	
NI	013357-103	DOOR, ASM - BR, BT	1	EA	
NI	013357-004	DOOR, ASM - SG	1	EA	
NI	013357-104	DOOR, ASM - BR, SG	1	EA	
NI	013357-005	DOOR, ASM - GG	1	EA	
NI	013357-105	DOOR, ASM - BR, GG	1	EA	
NI	013357-006	DOOR, ASM - WH	1	EA	
NI	013357-106	DOOR, ASM - BR, WH	1	EA	
NI	013357-007	DOOR, ASM - AL	1	EA	
NI	013357-107	DOOR, ASM - BR, AL	1	EA	
NI	013357-008	DOOR, ASM - BU	1	EA	
NI	013357-108	DOOR, ASM - BR, BU	1	EA	
NI	013357-009	DOOR, ASM - LE	1	EA	
NI	013357-109	DOOR, ASM - BR, LE	1	EA	
NI	013357-010	DOOR, ASM - MJ	1	EA	Not available online / Call for pricing and availability
NI	013357-110	DOOR, ASM - BR, MJ	1	EA	Not available online / Call for pricing and availability
NI	013357-011	DOOR, ASM - FG	1	EA	
NI	013357-111	DOOR, ASM - BR, FG	1	EA	
NI	013357-012	DOOR, ASM - VB	1	EA	
NI	013357-112	DOOR, ASM - BR, VB	1	EA	



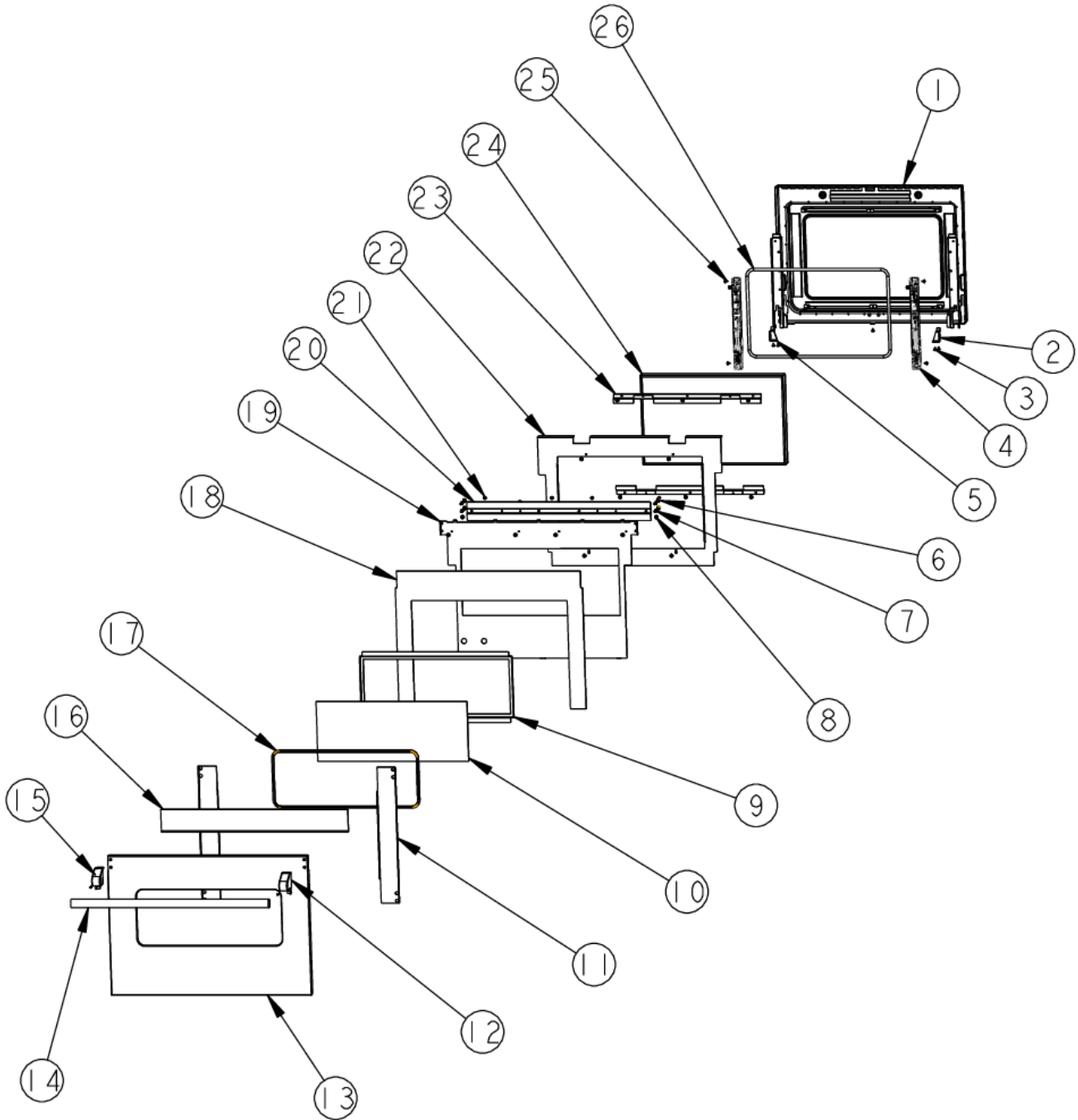
Item	Part No.	Name	Qty	Uom	NOTES
NI	013357-013	DOOR, ASM - CB	1	EA	
NI	013357-113	DOOR, ASM - BR, CB	1	EA	
NI	013357-014	DOOR, ASM - EP	1	EA	
NI	013357-114	DOOR, ASM - BR, EP	1	EA	
NI	013357-015	DOOR, ASM - PL	1	EA	
NI	013357-115	DOOR, ASM - BR, PL	1	EA	
NI	013357-016	DOOR, ASM - CH	1	EA	
NI	013357-116	DOOR, ASM - BR, CH	1	EA	
NI	013357-017	DOOR, ASM - TP	1	EA	
NI	013357-117	DOOR, ASM - BR, TP	1	EA	
NI	013357-018	DOOR, ASM - CW NLA	1	EA	
NI	013357-118	DOOR, ASM - BR, CW	1	EA	
NI	013357-019	DOOR, ASM - OG	1	EA	
NI	013357-119	DOOR, ASM - BR, OG	1	EA	
NI	013357-020	DOOR, ASM - GM	1	EA	
NI	013357-120	DOOR, ASM - BR, GM	1	EA	
NI	013357-021	DOOR, ASM - SA	1	EA	
NI	013357-121	DOOR, ASM - BR, SA	1	EA	
NI	013357-022	DOOR, ASM - SE	1	EA	
NI	013357-122	DOOR, ASM - BR, SE	1	EA	
NI	013357-023	DOOR, ASM - IB	1	EA	
NI	013357-123	DOOR, ASM - BR, IB	1	EA	
NI	013357-024	DOOR, ASM - AR	1	EA	
NI	013357-124	DOOR, ASM - BR, AR	1	EA	
NI	013357-025	DOOR, ASM - RR	1	EA	
NI	013357-125	DOOR, ASM - BR, RR	1	EA	
NI	013357-026	DOOR, ASM - PM	1	EA	
NI	013357-126	DOOR, ASM - BR, PM	1	EA	
NI	013357-027	DOOR, ASM - MS	1	EA	
NI	013357-127	DOOR, ASM - BR, MS	1	EA	

DOOR ASSY RT



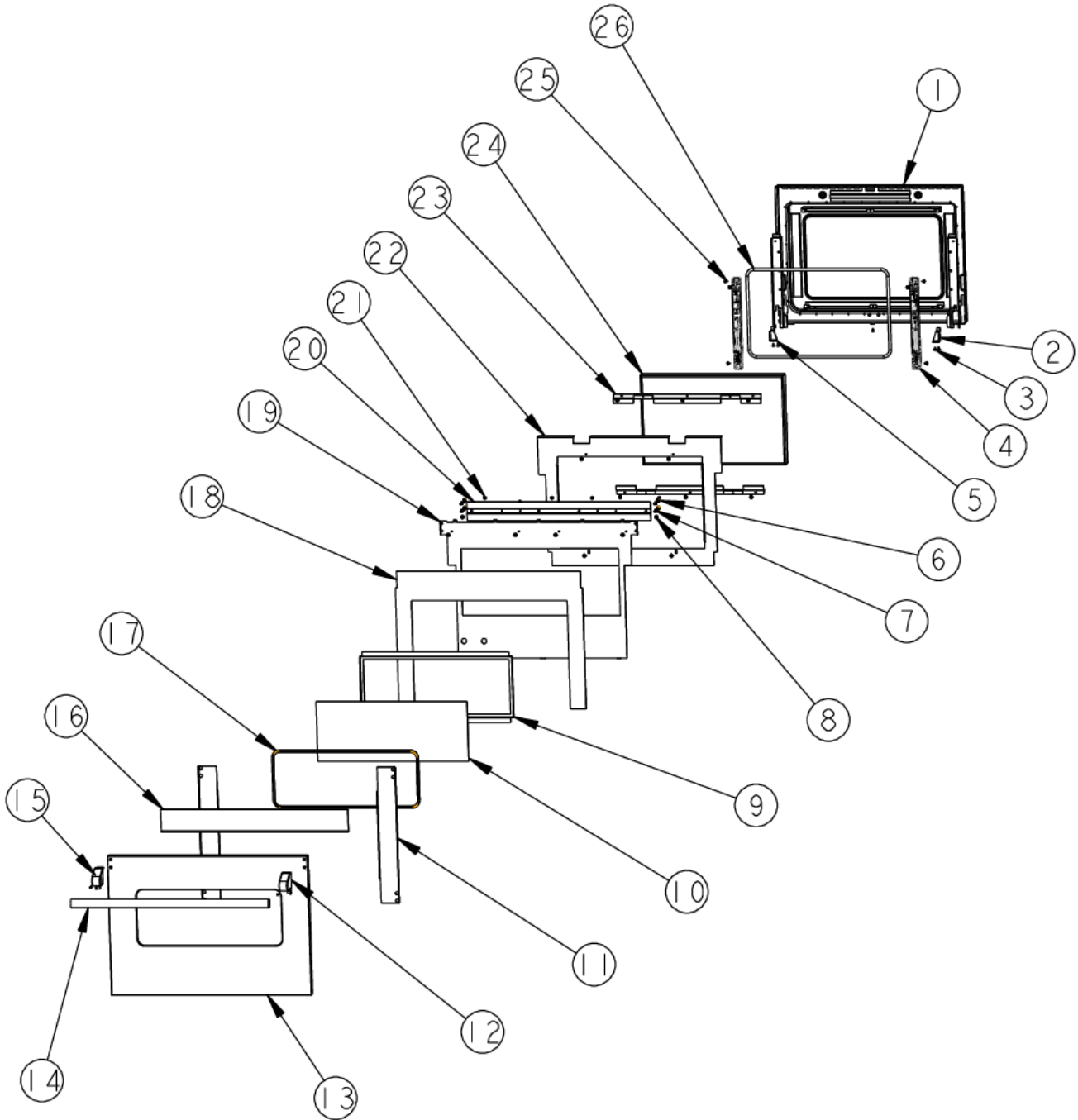


Item	Part No.	Name	Qty	Uom	NOTES
1	015412-000	DOOR LINER SPOTWELD ASM	1	EA	
Not Shown	NOTE	(BEFORE 12/20/12)		EA	
1	015412-402	LINER, DOOR, WLD, ASSY, 30" BLK	1	EA	
Not Shown	NOTE	(ON OR AFTER 12/20/12)		EA	
2	A20012640	HINGE SUPPORT RH	1	EA	
3	PD020032	SRW-8(A)X3/8"PH.WFR HD 7/16DIA*NICL	7	EA	
4	002740-000	DOOR HINGE	2	EA	See TC-0121-SP Service Bulletin
5	A20012641	HINGE SUPPORT LH	1	EA	
6	004907-000	STEEL FINISHING PLUG, NICKEL PLTD 25/64" HOLE	4	EA	
7	030823-000	#10-32 PAN HEAD PHILLIPS MACHINE SCREW	4	EA	
8	PD020073	SRW #10 X 24 X 3/8 WAFER HD TYPE23	2	EA	
9	L20014077	30" WINDOW HOLDER	1	EA	
Not Shown	NOTE	(NOT FIELD REPLACEABLE - MUST ORDER ITEM # 13)		EA	
10	PE060090	30" PROF. OUTER DOOR GLASS	1	EA	
Not Shown	NOTE	(NOT FIELD REPLACEABLE - MUST ORDER ITEM # 13)		EA	
11	002726-000	DOOR SKIN SIDE BRACKET	2	EA	
12	003012-000	DOOR HANDLE ENDCAP ASSY, RH (CHROME)	1	EA	
12	003012-100	DOOR HANDLE ENDCAP ASSY, RH (BRASS) - NLA	1	EA	
13	021143-000	SERVICE DOOR SKIN KIT 30" SS	1	EA	
13	021144-002	SERVICE DOOR SKIN KIT 30" BK	1	EA	
13	021144-003	SERVICE DOOR SKIN KIT 30" BT	1	EA	Not available online / Call for pricing and availability
13	021144-004	SERVICE DOOR SKIN KIT 30" SG	1	EA	

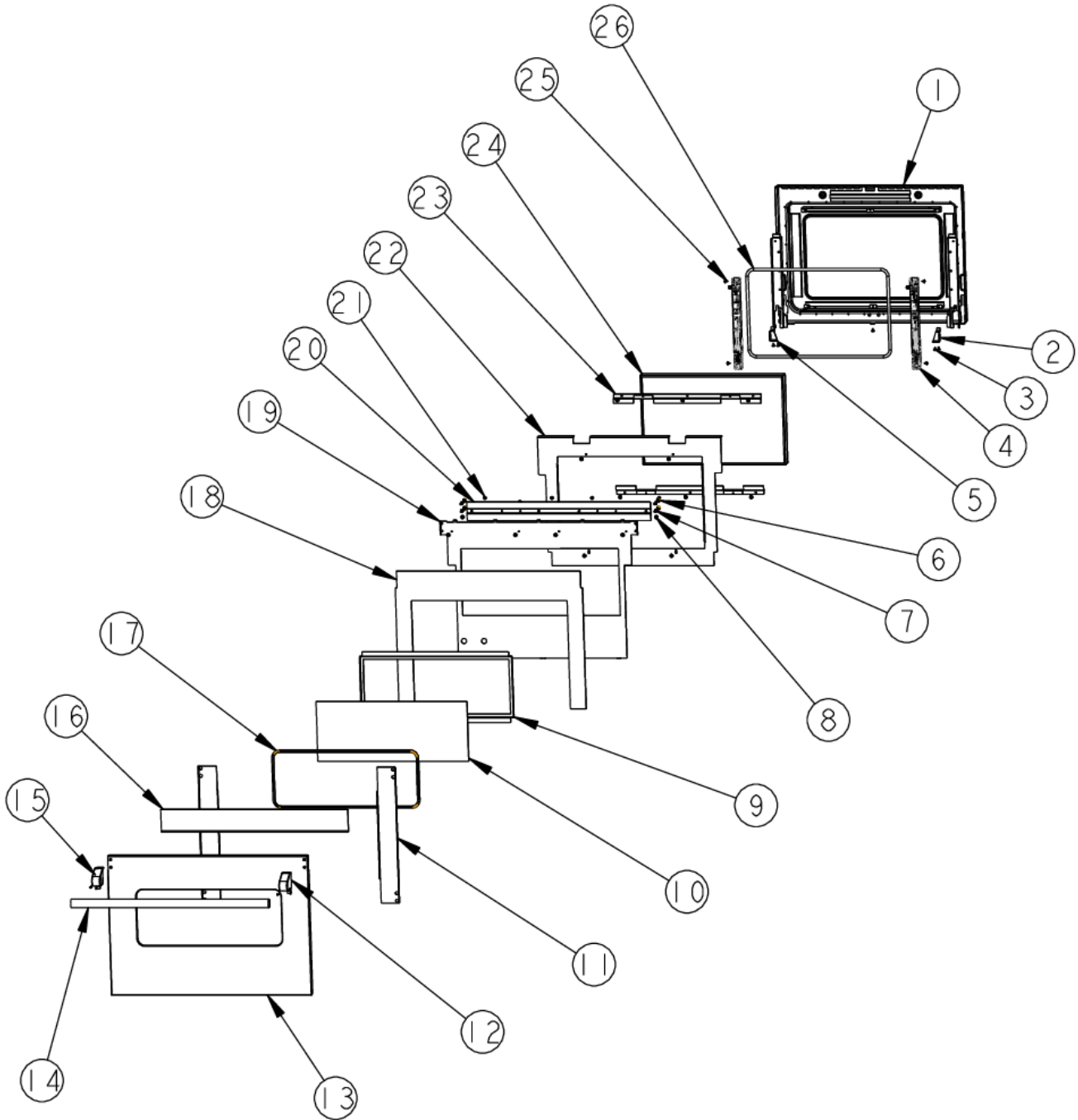




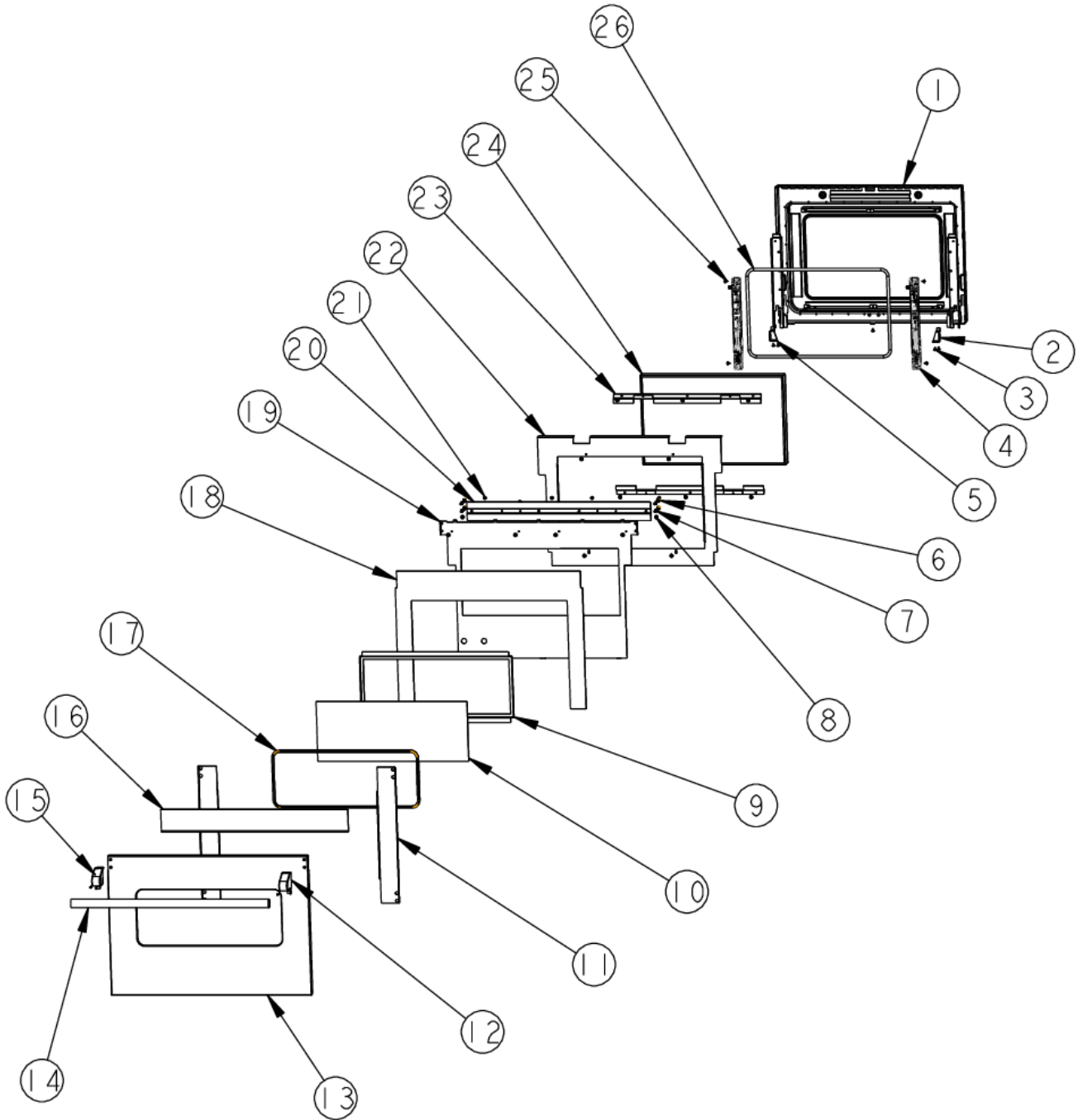
Item	Part No.	Name	Qty	Uom	NOTES
13	021144-005	SERVICE DOOR SKIN KIT 30" GG	1	EA	
13	021144-006	SERVICE DOOR SKIN KIT 30" WH	1	EA	
13	021144-007	SERVICE DOOR SKIN KIT 30" AL	1	EA	Not available online / Call for pricing and availability
13	021144-008	SERVICE DOOR SKIN KIT 30" BU	1	EA	
13	021144-009	SERVICE DOOR SKIN KIT 30" LE	1	EA	
13	021144-010	SERVICE DOOR SKIN KIT 30" MJ	1	EA	Not available online / Call for pricing and availability
13	021144-011	SERVICE DOOR SKIN KIT 30" FG	1	EA	Not available online / Call for pricing and availability
13	021144-012	SERVICE DOOR SKIN KIT 30" VB	1	EA	
13	021144-013	SERVICE DOOR SKIN KIT 30" CB	1	EA	
13	021144-014	SERVICE DOOR SKIN KIT 30" EP	1	EA	Not available online / Call for pricing and availability
13	021144-015	SERVICE DOOR SKIN KIT 30" PL	1	EA	
13	021144-016	SERVICE DOOR SKIN KIT 30" CH	1	EA	
13	021144-017	SERVICE DOOR SKIN KIT 30" TP	1	EA	
13	021144-018	SERVICE DOOR SKIN KIT 30" CW NLA	1	EA	
13	021144-019	SERVICE DOOR SKIN KIT 30" OG	1	EA	
13	021144-020	SERVICE DOOR SKIN KIT 30" GM	1	EA	
13	021144-021	SERVICE DOOR SKIN KIT 30" SA	1	EA	
13	021144-022	SERVICE DOOR SKIN KIT 30" SE	1	EA	
13	021144-023	SERVICE DOOR SKIN KIT 30" IB	1	EA	



Item	Part No.	Name	Qty	Uom	NOTES
13	021144-024	SERVICE DOOR SKIN KIT 30" AR	1	EA	
13	021144-025	SERVICE DOOR SKIN KIT 30" RR	1	EA	
13	021144-026	SERVICE DOOR SKIN KIT 30" PM	1	EA	
13	021144-027	SERVICE DOOR SKIN KIT 30" MS	1	EA	
14	002728-000	DOOR HANDLE - SS, 1.25" 29.5	1	EA	
15	003011-000	DOOR HANDLE ENDCAP ASSY, LH (CHROME)	1	EA	
15	003011-100	DOOR HANDLE ENDCAP ASSY, LH (BRASS)	1	EA	
16	002724-000	DOOR SKIN HEAT SINK, 30"	1	EA	
17	PE060105	30" J-MOLD (CHROME)	1	EA	
Not Shown	NOTE	(NOT FIELD REPLACEABLE - MUST ORDER ITEM # 13)		EA	
18	006787-000	INSULATION,DOOR,SIDE,SUPE RWOOL,.25,VDSC530	2	EA	
18	006788-000	INSULATION,DOOR,TOP,SUPE RWOOL,.25,VDSC530	1	EA	
19	004176-000	DOOR SKIN INSULATION RETAINER ASSY	1	EA	
20	002732-000	DOOR SKIN MOUNTING BRACKET ASSY	1	EA	
21	PD030010	#10-24 KEPS NUT ZINC PLATED	4	EA	
22	004152-000	DOOR LINER INSULATION RETAINER, 30	1	EA	
23	004153-000	DOOR GLASS HOLDER BRACKET	2	EA	
24	PE060094	30 WINDOW PACK	1	EA	
25	PD020063	SCREW-#8(A) X 3/8"PH WFR HD/BK OXID	18	EA	
26	000594-000	BLACK FIBERGLASS ROPE 3/8	1	EA	
NI	PB070246	30" DOOR GASKET	1	EA	
NI	006804-000	DOOR SKIN ASM, 30", NO LOGO, SS	1	EA	
NI	006804-100	DOOR SKIN ASM, 30", SS/BR, NO LOGO	1	EA	Not available online / Call for pricing and availability

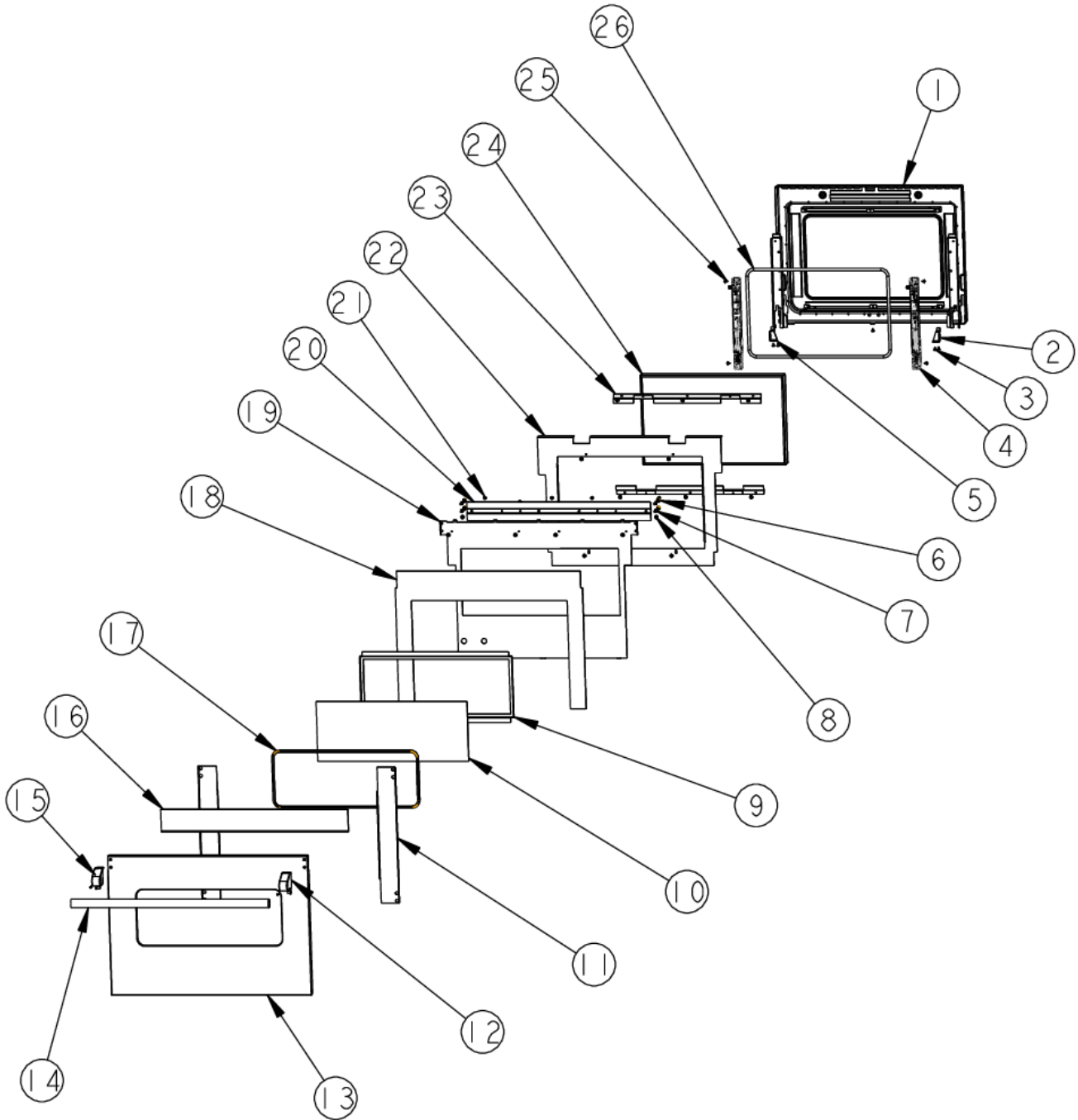


Item	Part No.	Name	Qty	Uom	NOTES
NI	013356-002	DOOR SKIN ASM, 30", NO LOGO, BK	1	EA	
NI	013356-102	DOOR SKIN ASM, 30", NO LOGO, BK/BR	1	EA	
NI	013356-003	DOOR SKIN ASM, 30", NO LOGO, BT	1	EA	
NI	013356-103	DOOR SKIN ASM, 30", NO LOGO, BT/BR	1	EA	
NI	013356-004	DOOR SKIN ASM, 30", NO LOGO, SG	1	EA	
NI	013356-104	DOOR SKIN ASM, 30", NO LOGO, SG/BR	1	EA	
NI	013356-005	DOOR SKIN ASM, 30", NO LOGO, GG	1	EA	
NI	013356-105	DOOR SKIN ASM, 30", NO LOGO, GG/BR	1	EA	
NI	013356-006	DOOR SKIN ASM, 30", NO LOGO, WH	1	EA	
NI	013356-106	DOOR SKIN ASM, 30", NO LOGO, WH/BR	1	EA	
NI	013356-007	DOOR SKIN, ASM - AL	1	EA	
NI	013356-107	DOOR SKIN, ASM - BR, AL	1	EA	
NI	013356-008	DOOR SKIN ASM, 30", NO LOGO, BU	1	EA	
NI	013356-108	DOOR SKIN ASM, 30", NO LOGO, BU/BR	1	EA	
NI	013356-009	DOOR SKIN ASM, 30", NO LOGO, LE	1	EA	
NI	013356-109	DOOR SKIN ASM, 30", NO LOGO, LE/BR	1	EA	
NI	013356-010	DOOR SKIN ASM, 30", NO LOGO, MJ	1	EA	
NI	013356-110	DOOR SKIN ASM, 30", NO LOGO, MJ/BR	1	EA	
NI	013356-011	DOOR SKIN, ASM - FG	1	EA	
NI	013356-111	DOOR SKIN, ASM - BR, FG	1	EA	
NI	013356-012	DOOR SKIN ASM, 30", NO LOGO, VB	1	EA	
NI	013356-112	DOOR SKIN ASM, 30", NO LOGO, VB/BR	1	EA	
NI	013356-013	DOOR SKIN ASM, 30", NO LOGO, CB	1	EA	

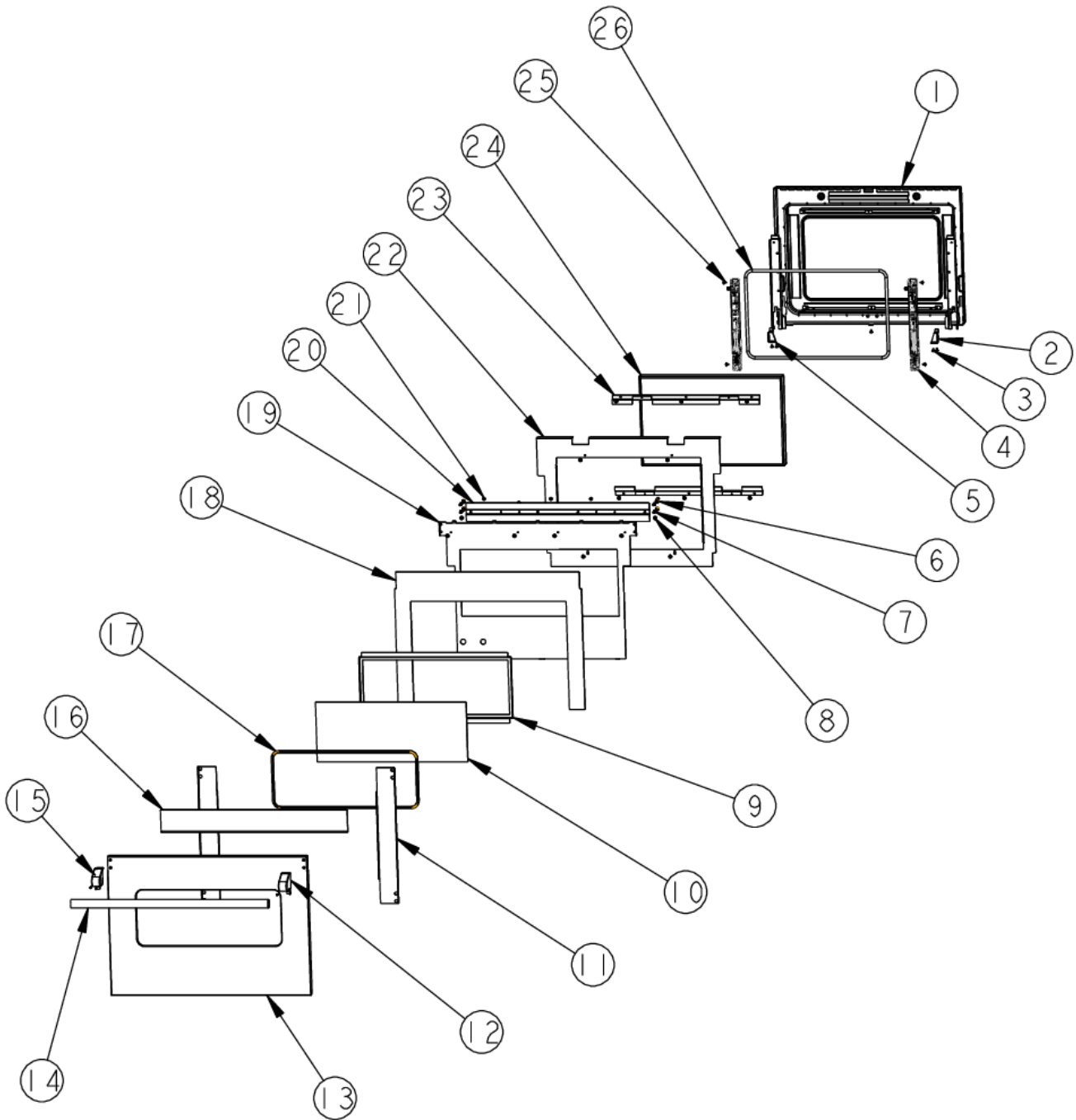




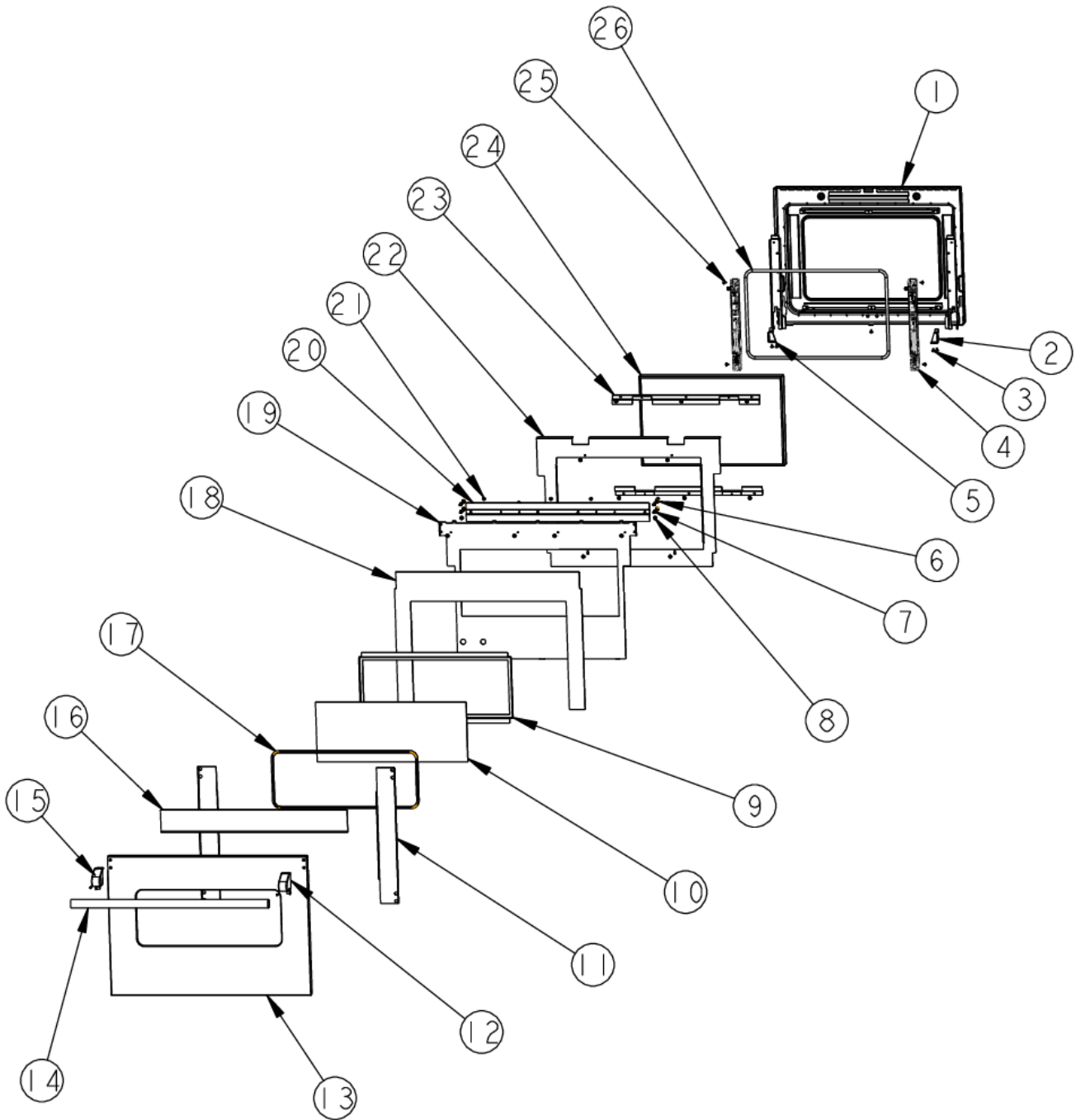
Item	Part No.	Name	Qty	Uom	NOTES
NI	013356-113	DOOR SKIN ASM, 30", NO LOGO, CB/BR	1	EA	
NI	013356-014	DOOR SKIN, ASM - EP	1	EA	
NI	013356-114	DOOR SKIN, ASM - BR, EP	1	EA	
NI	013356-015	DOOR SKIN ASM, 30", NO LOGO, PL	1	EA	
NI	013356-115	DOOR SKIN ASM, 30", NO LOGO, PL/BR	1	EA	
NI	013356-016	DOOR SKIN ASM, 30", NO LOGO, CH	1	EA	
NI	013356-116	DOOR SKIN ASM, 30", NO LOGO, CH/BR	1	EA	
NI	013356-017	DOOR SKIN ASM, 30", NO LOGO, TP	1	EA	
NI	013356-117	DOOR SKIN ASM, 30", NO LOGO, TP/BR	1	EA	
NI	013356-018	DOOR SKIN ASM, 30", NO LOGO, CW NLA	1	EA	
NI	013356-118	DOOR SKIN ASM, 30", NO LOGO, CW/BR	1	EA	
NI	013356-019	DOOR SKIN ASM, 30", NO LOGO, OG	1	EA	
NI	013356-119	DOOR SKIN ASM, 30", NO LOGO, OG/BR	1	EA	
NI	013356-020	DOOR SKIN ASM, 30", NO LOGO, GM	1	EA	
NI	013356-120	DOOR SKIN ASM, 30", NO LOGO, GM/BR	1	EA	
NI	013356-021	DOOR SKIN ASM, 30", NO LOGO, SA	1	EA	
NI	013356-121	DOOR SKIN ASM, 30", NO LOGO, SA/BR	1	EA	
NI	013356-022	DOOR SKIN ASM, 30", NO LOGO, SE	1	EA	
NI	013356-122	DOOR SKIN ASM, 30", NO LOGO, SE/BR	1	EA	
NI	013356-023	DOOR SKIN ASM, 30", NO LOGO, IB	1	EA	
NI	013356-123	DOOR SKIN ASM, 30", NO LOGO, IB/BR	1	EA	
NI	013356-024	DOOR SKIN ASM, 30", NO LOGO, AR	1	EA	



Item	Part No.	Name	Qty	Uom	NOTES
NI	013356-124	DOOR SKIN ASM, 30", NO LOGO, AR/BR	1	EA	
NI	013356-025	DOOR SKIN ASM, 30", NO LOGO, RR	1	EA	
NI	013356-125	DOOR SKIN ASM, 30", NO LOGO, RR/BR	1	EA	
NI	013356-026	DOOR SKIN ASM, 30", NO LOGO, PM	1	EA	
NI	013356-126	DOOR SKIN ASM, 30", NO LOGO, PM/BR	1	EA	
NI	013356-027	DOOR SKIN ASM, 30", NO LOGO, MS	1	EA	
NI	013356-127	DOOR SKIN ASM, 30", NO LOGO, MS/BR	1	EA	
NI	006805-000	DOOR ASM, 30" - NO LOGO, RH, SS	1	EA	
NI	006805-100	DOOR ASM, 30" - NO LOGO, RH, SS/BR	1	EA	
NI	013355-002	DOOR ASM, 30", DECARB, NO LOGO, RH, BK	1	EA	
NI	013355-102	DOOR ASM, 30", DECARB, NO LOGO, RH, BK/BR	1	EA	
NI	013355-003	DOOR ASM, 30", DECARB, NO LOGO, RH, BT	1	EA	
NI	013355-103	DOOR ASM, 30", DECARB, NO LOGO, RH, BT/BR	1	EA	
NI	013355-004	DOOR ASM, 30", DECARB, NO LOGO, RH, SG	1	EA	
NI	013355-104	DOOR ASM, 30", DECARB, NO LOGO, RH, SG/BR	1	EA	
NI	013355-005	DOOR ASM, 30", DECARB, NO LOGO, RH, GG	1	EA	
NI	013355-105	DOOR ASM, 30", DECARB, NO LOGO, RH, GG/R	1	EA	
NI	013355-006	DOOR ASM, 30", DECARB, NO LOGO, RH, WH	1	EA	Not available online / Call for pricing and availability
NI	013355-106	DOOR ASM, 30", DECARB, NO LOGO, RH, WH/BR	1	EA	
NI	013355-007	DOOR ASM, 30", DECARB, NO LOGO, RH, AL	1	EA	Not available online / Call for pricing and availability

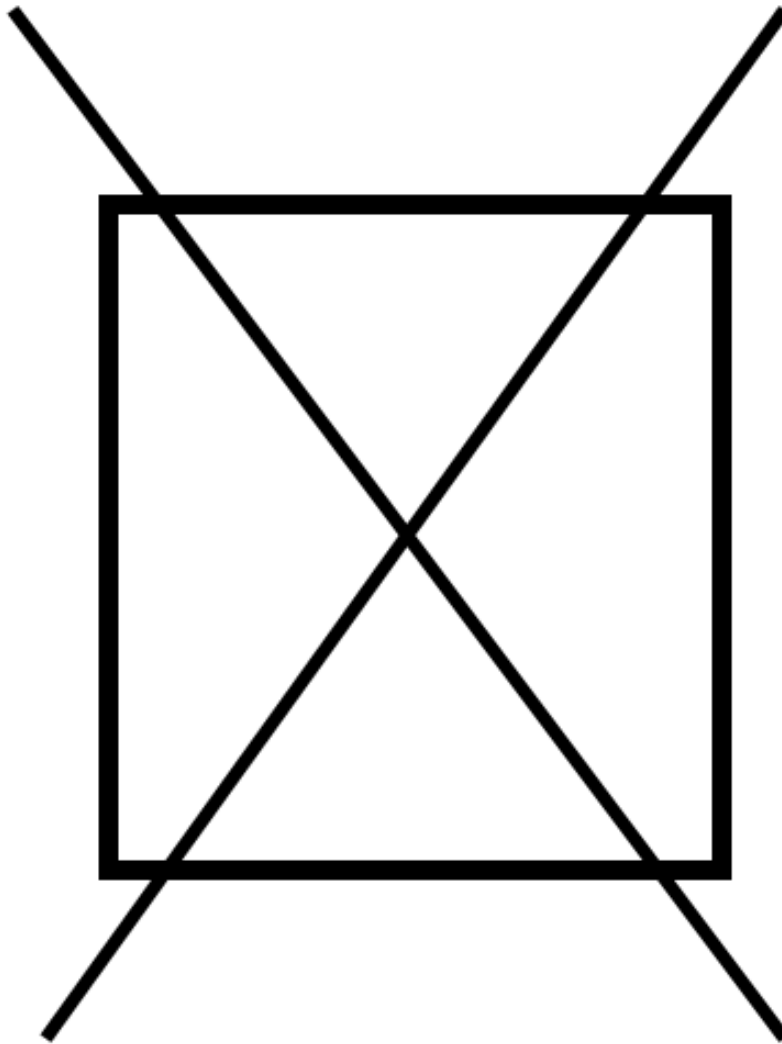


Item	Part No.	Name	Qty	Uom	NOTES
NI	013355-107	DOOR ASM, 30", DECARB, NO LOGO, RH, AL/BR	1	EA	
NI	013355-008	DOOR ASM, 30", DECARB, NO LOGO, RH, BU	1	EA	
NI	013355-108	DOOR ASM, 30", DECARB, NO LOGO, RH, BU/BR	1	EA	
NI	013355-009	DOOR ASM, 30", DECARB, NO LOGO, RH, LE	1	EA	
NI	013355-109	DOOR ASM, 30", DECARB, NO LOGO, RH, LE/BR	1	EA	
NI	013355-010	DOOR ASM, 30", DECARB, NO LOGO, RH, MJ	1	EA	Not available online / Call for pricing and availability
NI	013355-110	DOOR ASM, 30", DECARB, NO LOGO, RH, MJ/BR	1	EA	
NI	013355-011	DOOR ASM, 30", DECARB, NO LOGO, RH, FG	1	EA	
NI	013355-111	DOOR ASM, 30", DECARB, NO LOGO, RH, FG/BR	1	EA	
NI	013355-012	DOOR ASM, 30", DECARB, NO LOGO, RH, VB	1	EA	
NI	013355-112	DOOR ASM, 30", DECARB, NO LOGO, RH, VB/BR	1	EA	
NI	013355-013	DOOR ASM, 30", DECARB, NO LOGO, RH, CB	1	EA	
NI	013355-113	DOOR ASM, 30", DECARB, NO LOGO, RH, CB/BR	1	EA	
NI	013355-014	DOOR ASM, 30", DECARB, NO LOGO, RH, EP	1	EA	
NI	013355-114	DOOR ASM, 30", DECARB, NO LOGO, RH, EP/BR	1	EA	
NI	013355-015	DOOR ASM, 30", DECARB, NO LOGO, RH, PL	1	EA	
NI	013355-115	DOOR ASM, 30", DECARB, NO LOGO, RH, PL/BR	1	EA	
NI	013355-016	DOOR ASM, 30", DECARB, NO LOGO, RH, CH	1	EA	
NI	013355-116	DOOR ASM, 30", DECARB, NO LOGO, RH, CH/BR	1	EA	
NI	013355-017	DOOR ASM, 30", DECARB, NO LOGO, RH, TP	1	EA	
NI	013355-117	DOOR ASM, 30", DECARB, NO LOGO, RH, TP/BR	1	EA	



Item	Part No.	Name	Qty	Uom	NOTES
NI	013355-018	DOOR ASM, 30", DECARB, NO LOGO, RH, CW NLA	1	EA	
NI	013355-118	DOOR ASM, 30", DECARB, NO LOGO, RH, CW/BR	1	EA	
NI	013355-019	DOOR ASM, 30", DECARB, NO LOGO, RH, OG	1	EA	
NI	013355-119	DOOR ASM, 30", DECARB, NO LOGO, RH, OG/BR	1	EA	
NI	013355-020	DOOR ASM, 30", DECARB, NO LOGO, RH, GM	1	EA	
NI	013355-120	DOOR ASM, 30", DECARB, NO LOGO, RH, GM/BR	1	EA	
NI	013355-021	DOOR ASM, 30", DECARB, NO LOGO, RH, SA	1	EA	
NI	013355-121	DOOR ASM, 30", DECARB, NO LOGO, RH, SA/BR	1	EA	
NI	013355-022	DOOR ASM, 30", DECARB, NO LOGO, RH, SE	1	EA	
NI	013355-122	DOOR ASM, 30", DECARB, NO LOGO, RH, SE/BR	1	EA	
NI	013355-023	DOOR ASM, 30", DECARB, NO LOGO, RH, IB	1	EA	
NI	013355-123	DOOR ASM, 30", DECARB, NO LOGO, RH, IB/BR	1	EA	
NI	013355-024	DOOR ASM, 30", DECARB, NO LOGO, RH, AR	1	EA	
NI	013355-124	DOOR ASM, 30", DECARB, NO LOGO, RH, AR/BR	1	EA	
NI	013355-025	DOOR ASM, 30", DECARB, NO LOGO, RH, RR	1	EA	
NI	013355-125	DOOR ASM, 30", DECARB, NO LOGO, RH, RR/BR	1	EA	
NI	013355-026	DOOR ASM, 30", DECARB, NO LOGO, RH, PM	1	EA	
NI	013355-126	DOOR ASM, 30", DECARB, NO LOGO, RH, PM/BR	1	EA	
NI	013355-027	DOOR ASM, 30", DECARB, NO LOGO, RH, MS	1	EA	
NI	013355-127	DOOR ASM, 30", DECARB, NO LOGO, RH, MS/VR	1	EA	

NON  
ILLUSTRATED PART

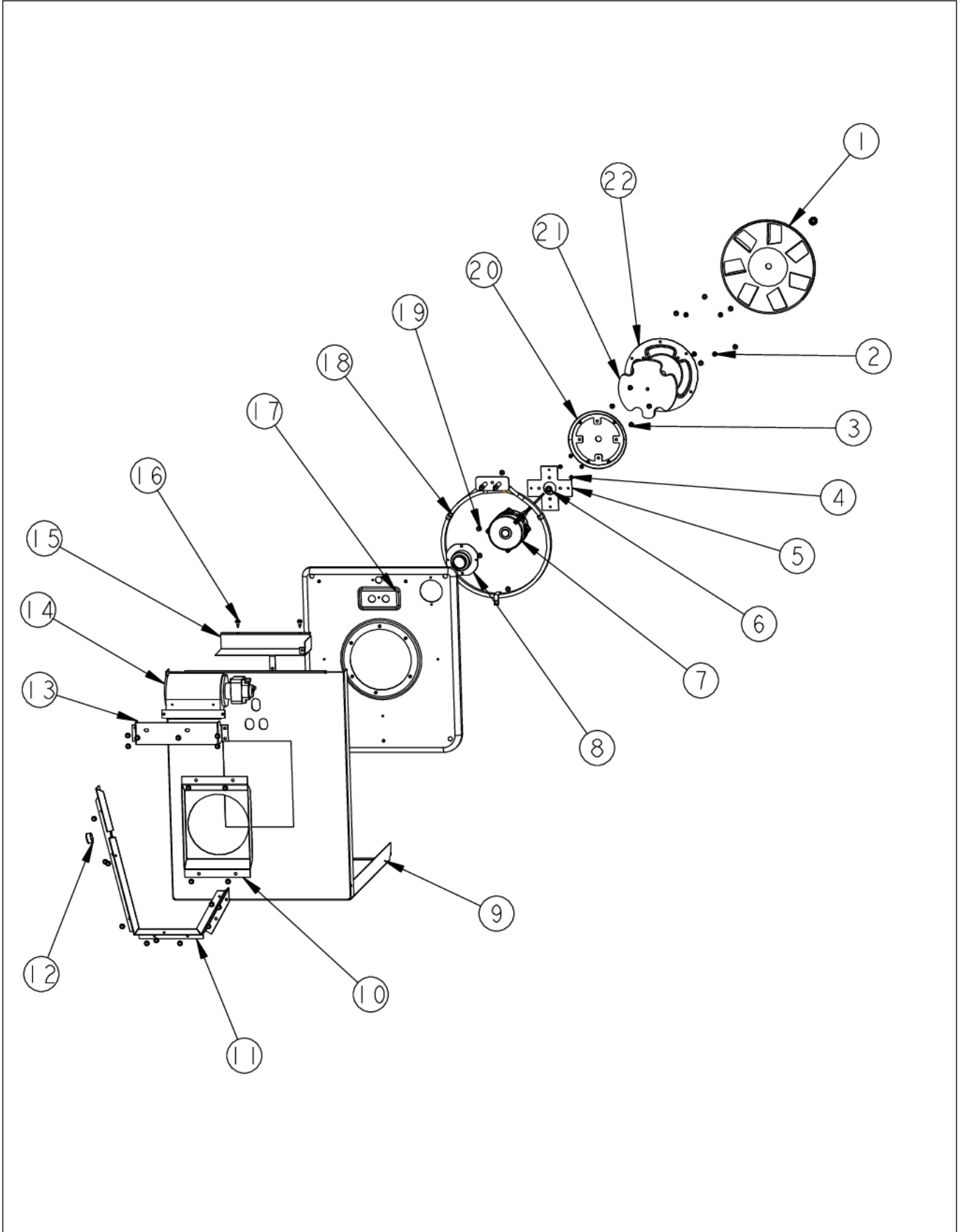




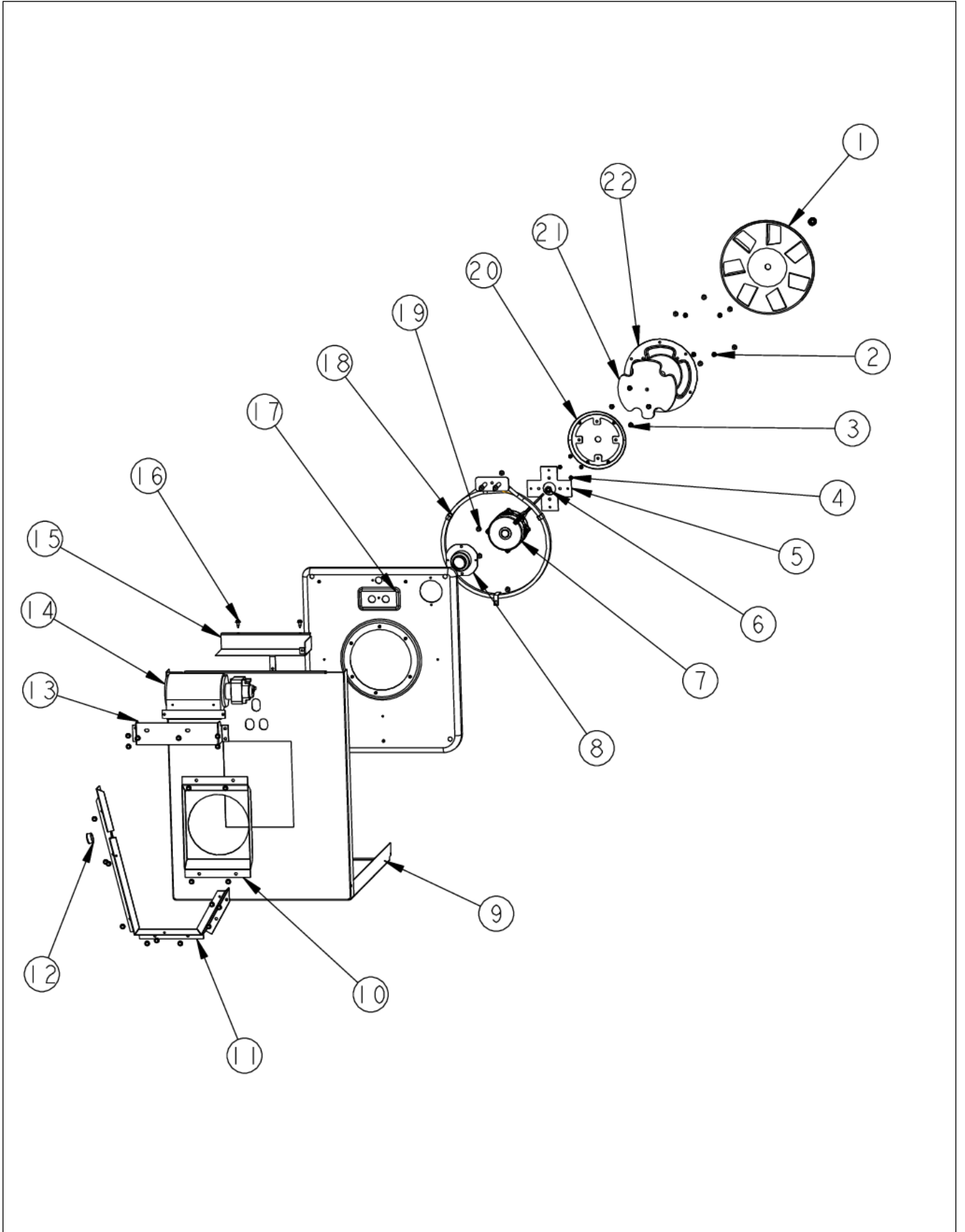


Item	Part No.	Name	Qty	Uom	NOTES
NI	012828-000	HARNESS, GROUND, DSI, VDSC536-4G	1	EA	

FAN ASSY LT



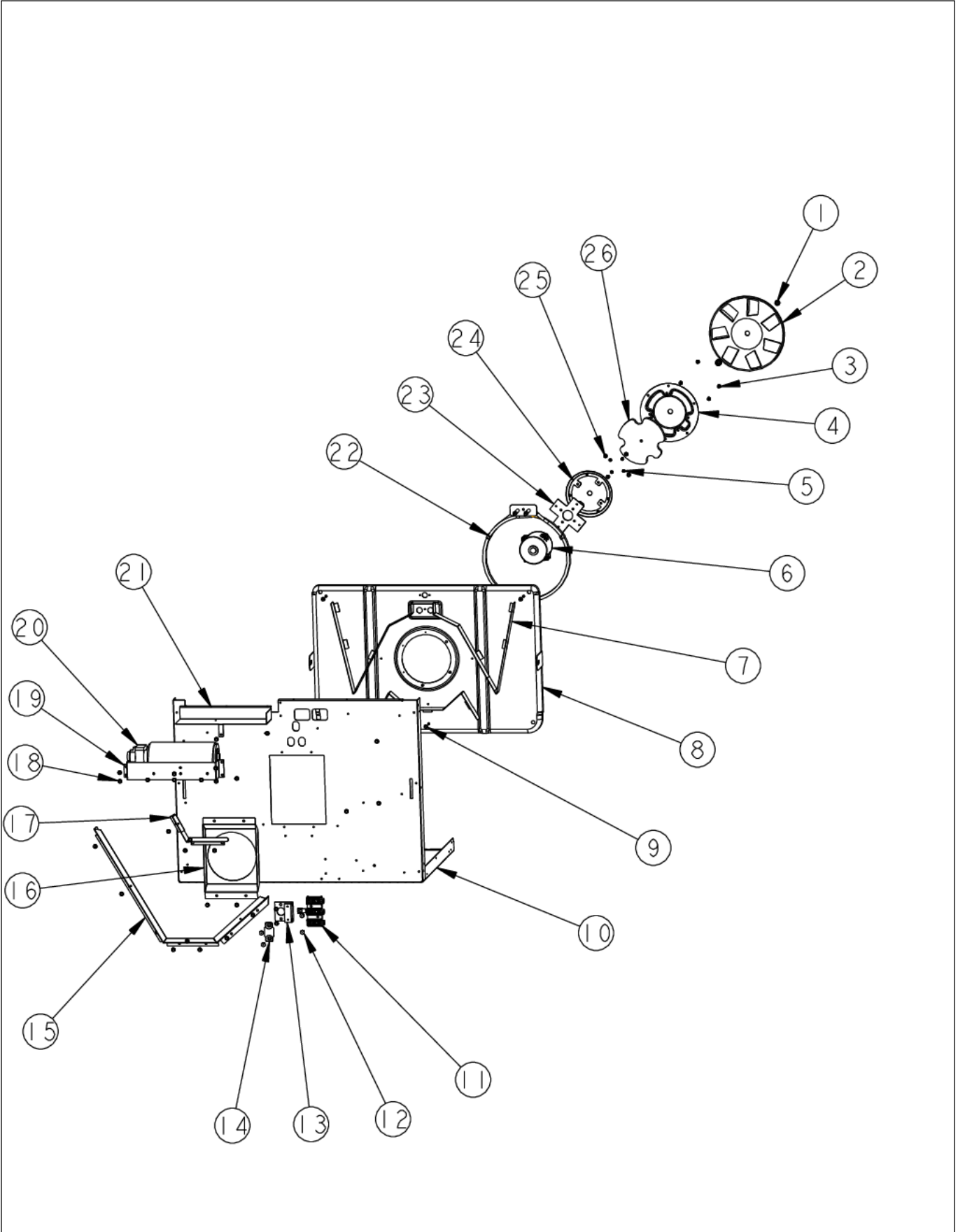
Item	Part No.	Name	Qty	Uom	NOTES
1	PE050227	CONVECTION FAN BLADE ASSY	1	EA	
2	PD020055	' #10 X 1/2" PAN PHIL. TEK.*SS*	4	EA	
3	PD020004	10X3/8PH.HD.TYPE 25 REPL PD040125	4	EA	
4	PD010028	BOLT M4X5	4	EA	
5	023319-000	BRACKET, MOUNTING, FAN MOTOR	1	EA	
6	PD030149	5/16 NUT	1	EA	
7	005458-000	FAN, MOTOR, CONVECTION, VDSC18" OVEN	1	EA	
8	PM010014	SMOKE ELIMINATOR (VDSC)	1	EA	
9	006167-000	OVEN, BACK, BOT, ASM, VDSC18"	1	EA	
10	A2009697	BRACKET, CONVECTION INSULATION	1	EA	
11	007248-000	BAFFLE, FAN, REAR, VDSC18"	1	EA	
12	PD040005	SNAP BUSHING - 7/8"	1	EA	
13	007420-000	COOLING, FAN, MOUNTING, BRACKET, VDSC18"	1	EA	
14	007794-000	COOLING FAN, VDSC 18"	1	EA	
Not Shown	NOTE	(BEFORE 8/12/2013)		EA	
14	018608-000	FAN, BLO, 220-240V 50/60Hz ASM (MT1712)		EA	
Not Shown	NOTE	(ON OR AFTER 8/12/2013)		EA	
15	007419-000	BRACKET, FAN, MT, BOT, VDSC 18"	1	EA	
16	003860-000	10-18 x .500 FASTNR,SCR,HXWH,STL,ZPLT	23	EA	
17	NON REPLACEABLE	BAFFLE, CONVECTION, ASM (006176-000)	1	EA	
18	PJ010056	CONVECTION ELEMENT (208 VOLT)	1	EA	
19	PD020048	NO.10 X 1/2 TEK 410 SS SCREW	10	EA	
20	023319-000	BRACKET, MOUNTING, FAN MOTOR	1	EA	
21	PB070312	CONVECTION MOTOR MTG. PLATE INSULATION	1	EA	





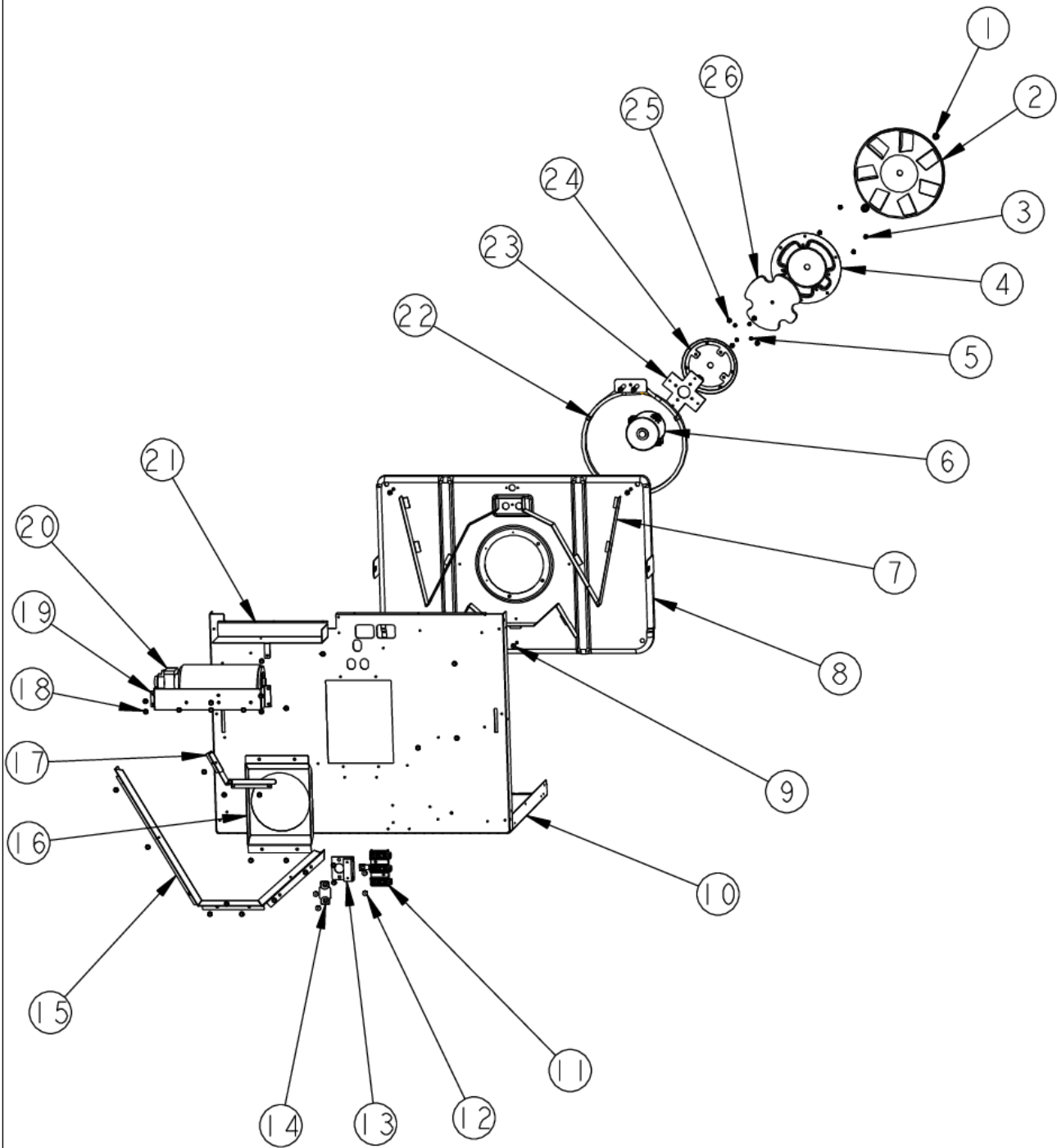
Item	Part No.	Name	Qty	Uom	NOTES
22	023116-000	PLATE, MOUNTING, CONVECTION MOTOR	1	EA	

FAN ASSY RT





Item	Part No.	Name	Qty	Uom	NOTES
1	PD030149	5/16 NUT	1	EA	
2	PE050227	CONVECTION FAN BLADE ASSY	1	EA	
3	PD020055	' #10 X 1/2" PAN PHIL. TEK.*SS*	4	EA	
4	023116-000	PLATE, MOUNTING, CONVECTION MOTOR	1	EA	
5	PD010028	BOLT M4X5	4	EA	
6	PE050203	CONVECTION MOTOR	1	EA	
7	G91013598	30" BAFFLE ASSEMBLY	1	EA	
8	NON REPLACEABLE	OVEN CAVITY, 36" (G30014040)	1	EA	
9	PD020048	NO.10 X 1/2 TEK 410 SS SCREW	3	EA	
10	003818-000	OVEN BOTTOM, BACK WRAP ASSY - NLA	1	EA	NO LONGER AVAILABLE
11	PE070147	TERMINAL BLOCK (VDSC)	1	EA	
12	PD020014	10X3/4 PH TR HD SMS	4	EA	
13	A2002195	POWER CORD MOUNTING BRKT (VDSC)	1	EA	
14	A1002457	POWER CORD MOUNTING STRAP (VDSC)	1	EA	
15	002941-000	BAFFLE, FAN, REAR	1	EA	
16	A2009697	BRACKET, CONVECTION INSULATION	1	EA	
17	003356-000	DIVERTER, AIR	1	EA	
18	003860-000	10-18 x .500 FASTNR,SCR,HXWH,STL,ZPLT	30	EA	
19	004110-000	Blower Mount	1	EA	
20	PE050250	Blower	1	EA	
<p>Comments for Part Num. PE050250</p> <p>highendappsvc@gmail.com on Jan 28, 2019</p> <p>If you need to replace cooling fan for the model vgsc5486gss serial date code 031412, do not order this fan, this fan is larger and configured wrong. The correct fan is 007794-000. it is smaller.</p>					
Not Shown	NOTE	(BEFORE 8/10/2013)		EA	
20	018607-000	FAN, BLO, 220-240V 50/60Hz ASM (MT1664)	1	EA	

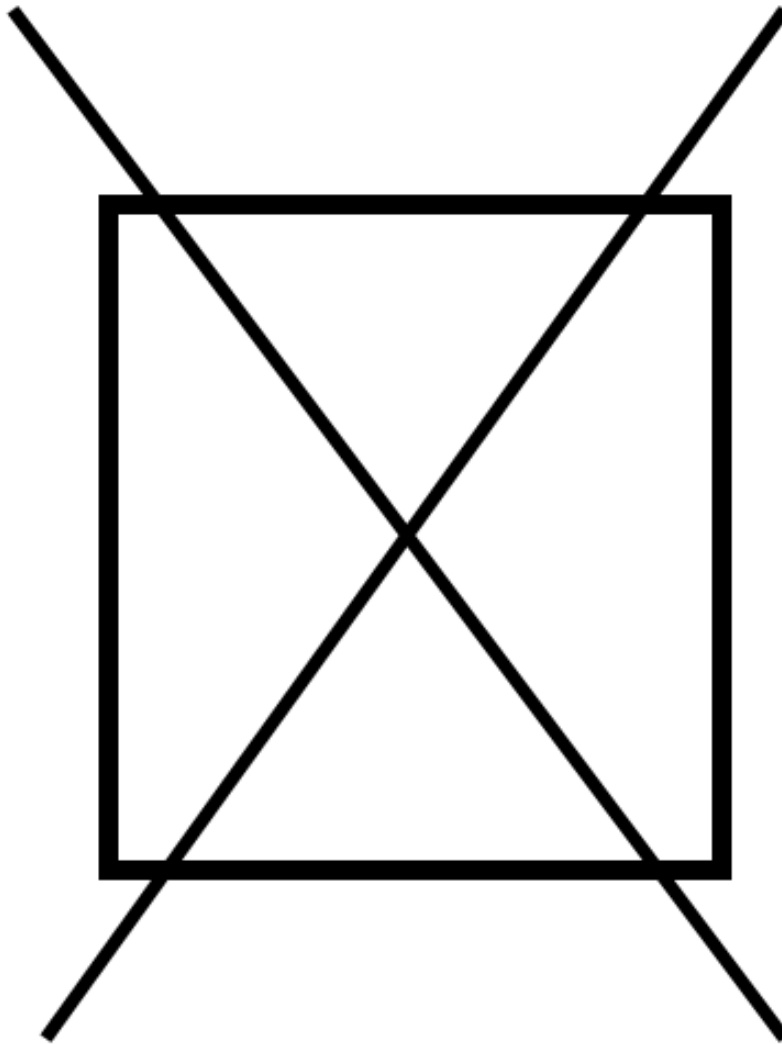






Item	Part No.	Name	Qty	Uom	NOTES
Not Shown	NOTE	(ON OR AFTER 8/10/2013)		EA	
21	A2009659	Blower Bracket	1	EA	
22	PJ010056	CONVECTION ELEMENT (208 VOLT)	1	EA	
23	023319-000	BRACKET, MOUNTING, FAN MOTOR	1	EA	
24	023319-000	BRACKET, MOUNTING, FAN MOTOR	1	EA	
25	PD020004	10X3/8PH.HD.TYPE 25 REPL PD040125	4	EA	
26	PB070312	CONVECTION MOTOR MTG. PLATE INSULATION	1	EA	
27	PD020032	SRW-8(A)X3/8"PH.WFR HD 7/16DIA*NICL	1	EA	

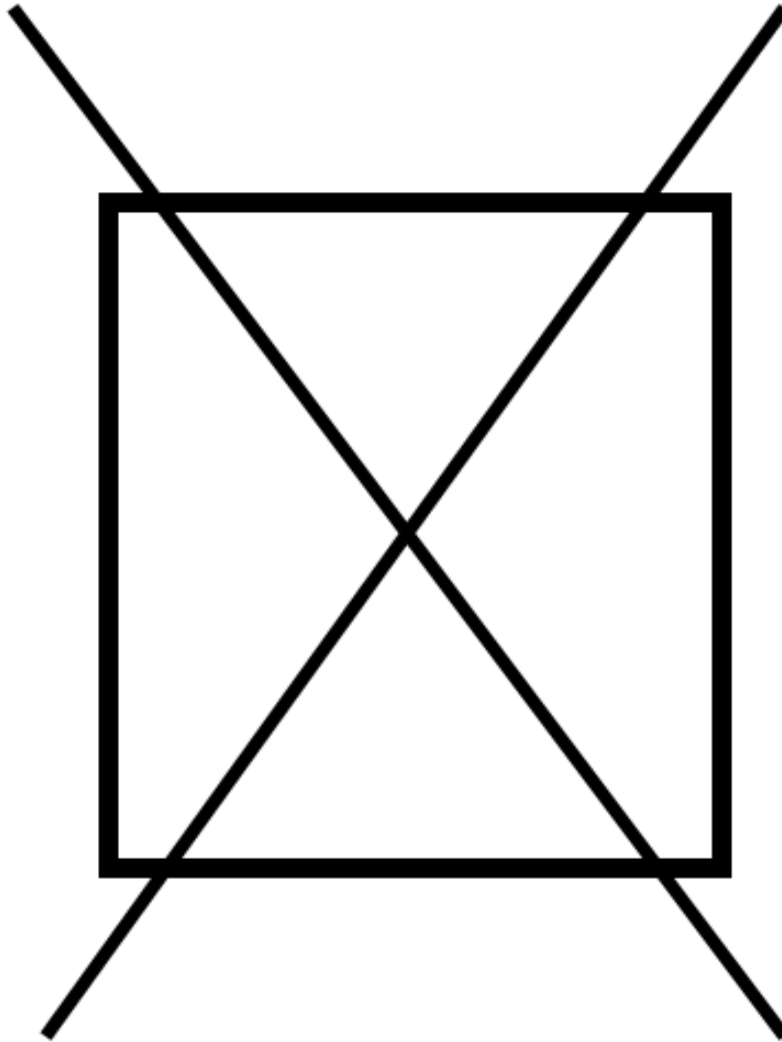
NON  
ILLUSTRATED PART





Item	Part No.	Name	Qty	Uom	NOTES
NI	009665-000	GRIDDLE, POWER, HARNESS, VDSC CUSTOM	1	EA	
Not Shown	NOTE	(BEFORE 01/20/11)		EA	
NI	036200-000	HARNESS. W/ GRIDDLE	1	EA	
Not Shown	NOTE	(ON OR AFTER 01/20/11)		EA	

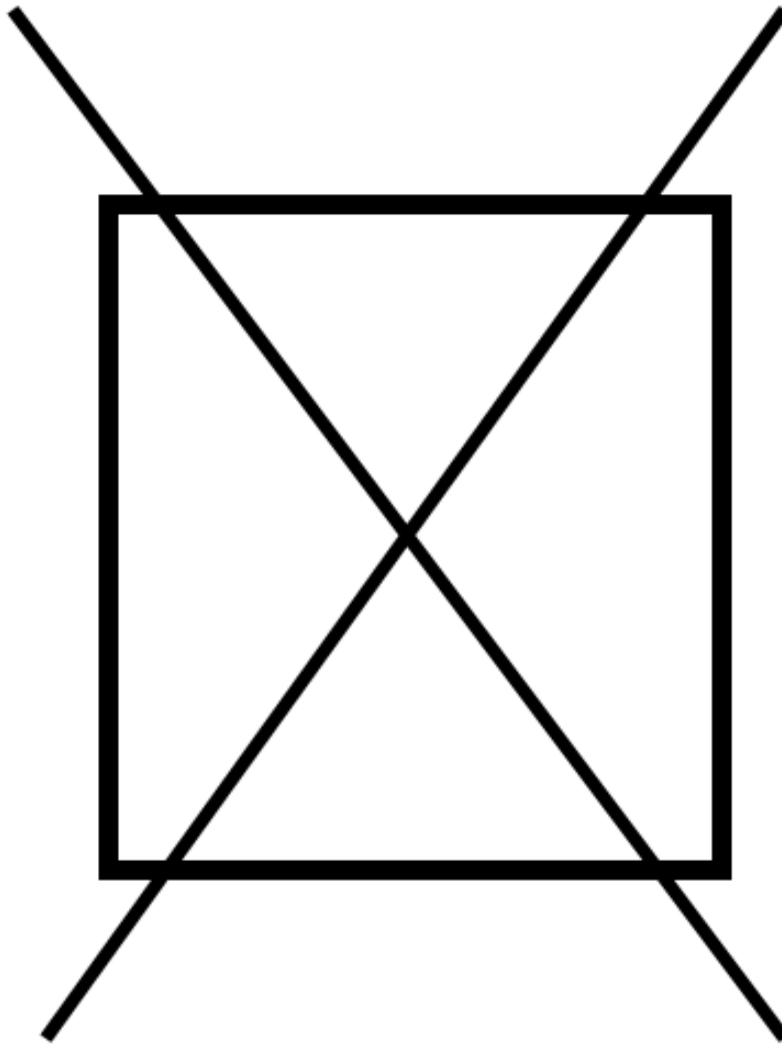
NON  
ILLUSTRATED PART





Item	Part No.	Name	Qty	Uom	NOTES
NI	PE070891	IRIS HARNESS - 48"	1	EA	
Not Shown	NOTE	(BEFORE 01/20/11)		EA	
NI	023325-000	IRIS HARNESS, 48"	1	EA	
Not Shown	NOTE	(ON OR AFTER 01/20/11)		EA	
NI	000647-000	IRIS IGNITOR WIRE, FRONT BURNER	3	EA	
NI	006766-000	IRIS IGNITOR WIRE, BACK BURNER	3	EA	
NI	015357-000	IGNITOR, W/WIRE	2	EA	

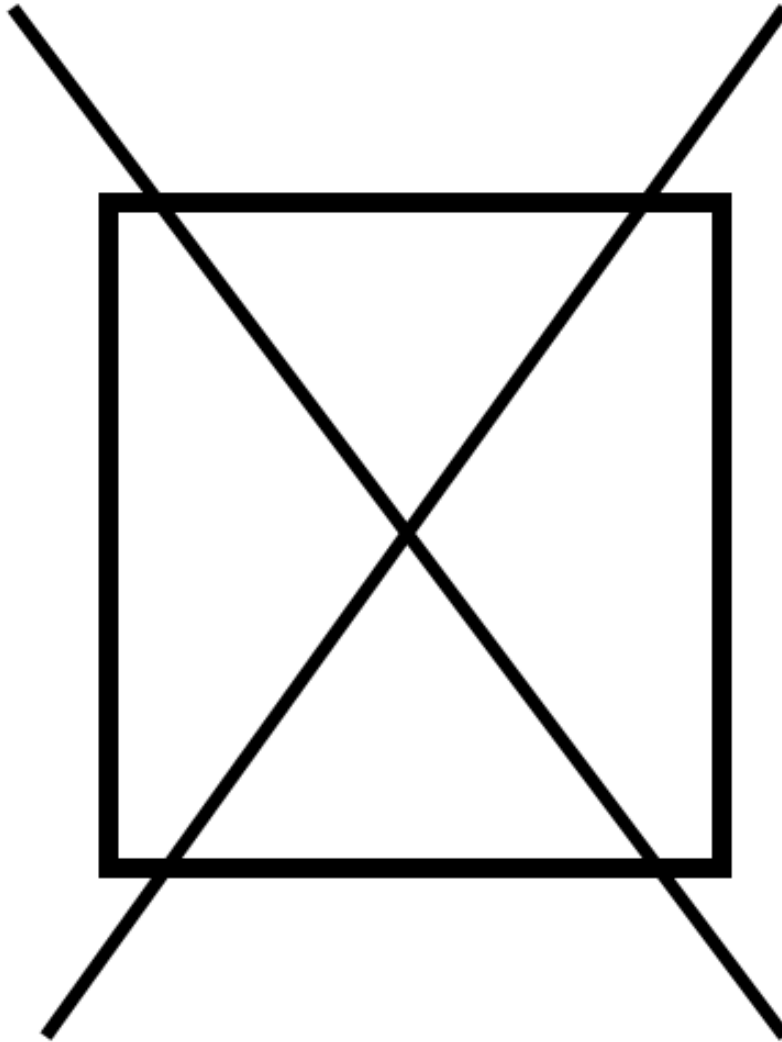
NON  
ILLUSTRATED PART





Item	Part No.	Name	Qty	Uom	NOTES
NI	004295-000	HARNESS,POWER,IRIS,45" LONG	1	EA	
Not Shown	NOTE	(BEFORE 7/29/10)		EA	

NON  
ILLUSTRATED PART

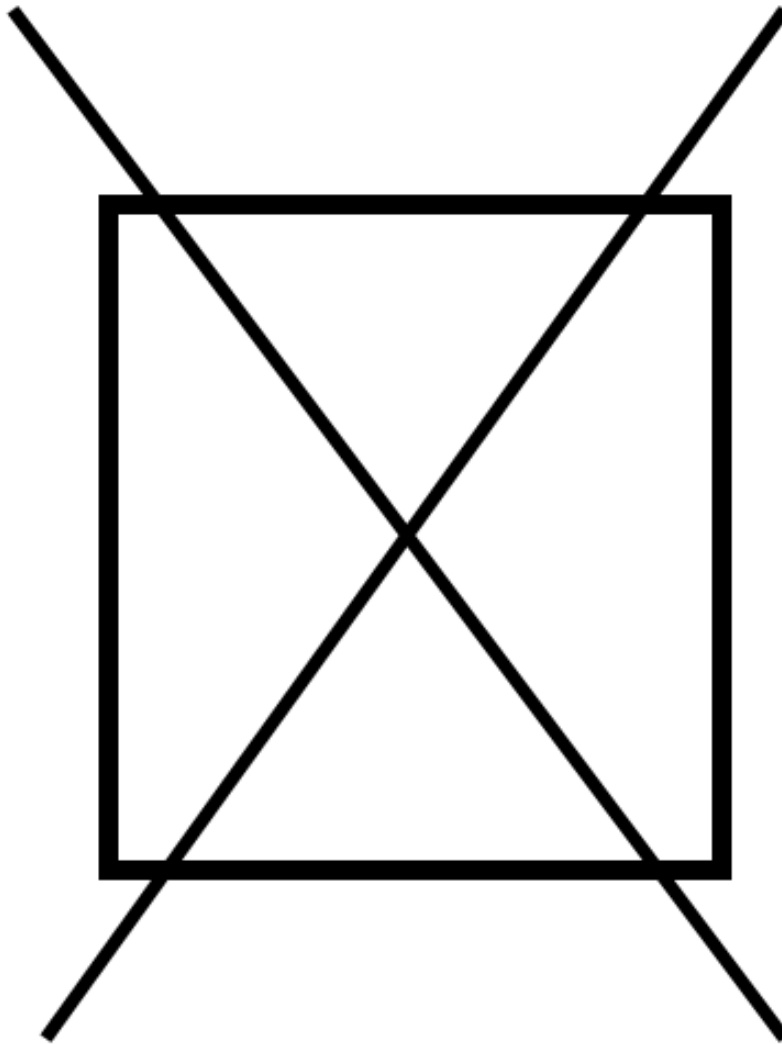






Item	Part No.	Name	Qty	Uom	NOTES
NI	009645-000	MODEL HEADER 11	1	EA	
Not Shown	NOTE	(BEFORE 9/29/10 AND ON OR AFTER 9/29/10)		EA	

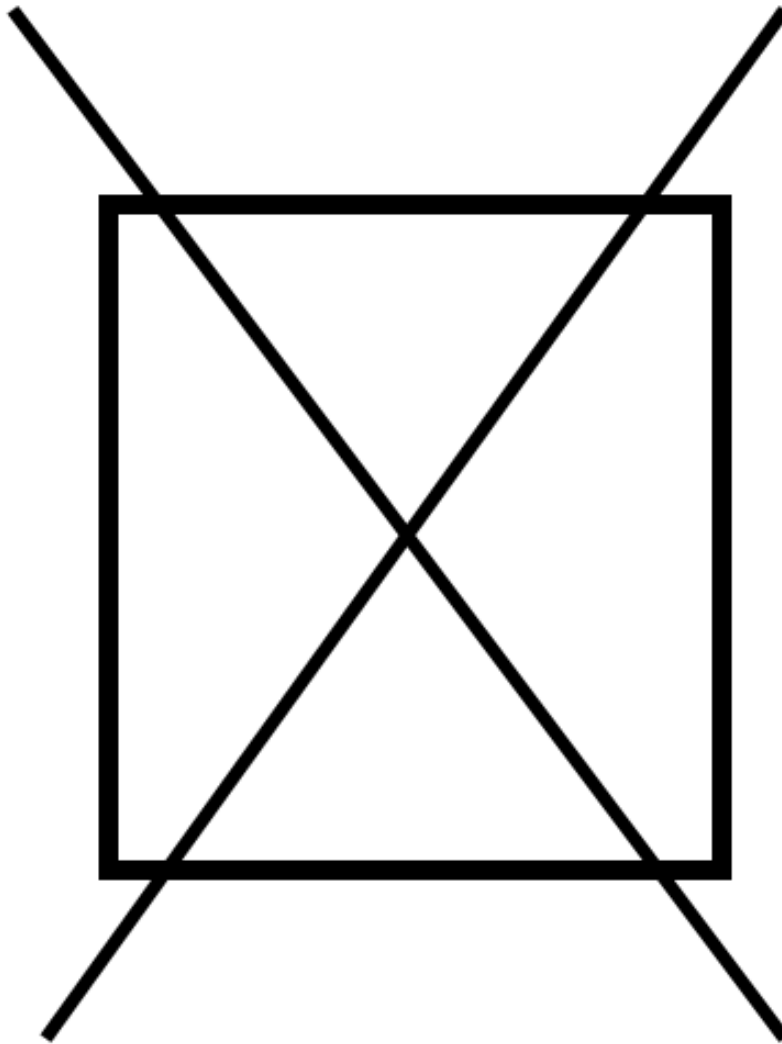
NON  
ILLUSTRATED PART





Item	Part No.	Name	Qty	Uom	NOTES
NI	013295-000	HARNESS, LIGHT SWITCH, VDSC548	1	EA	

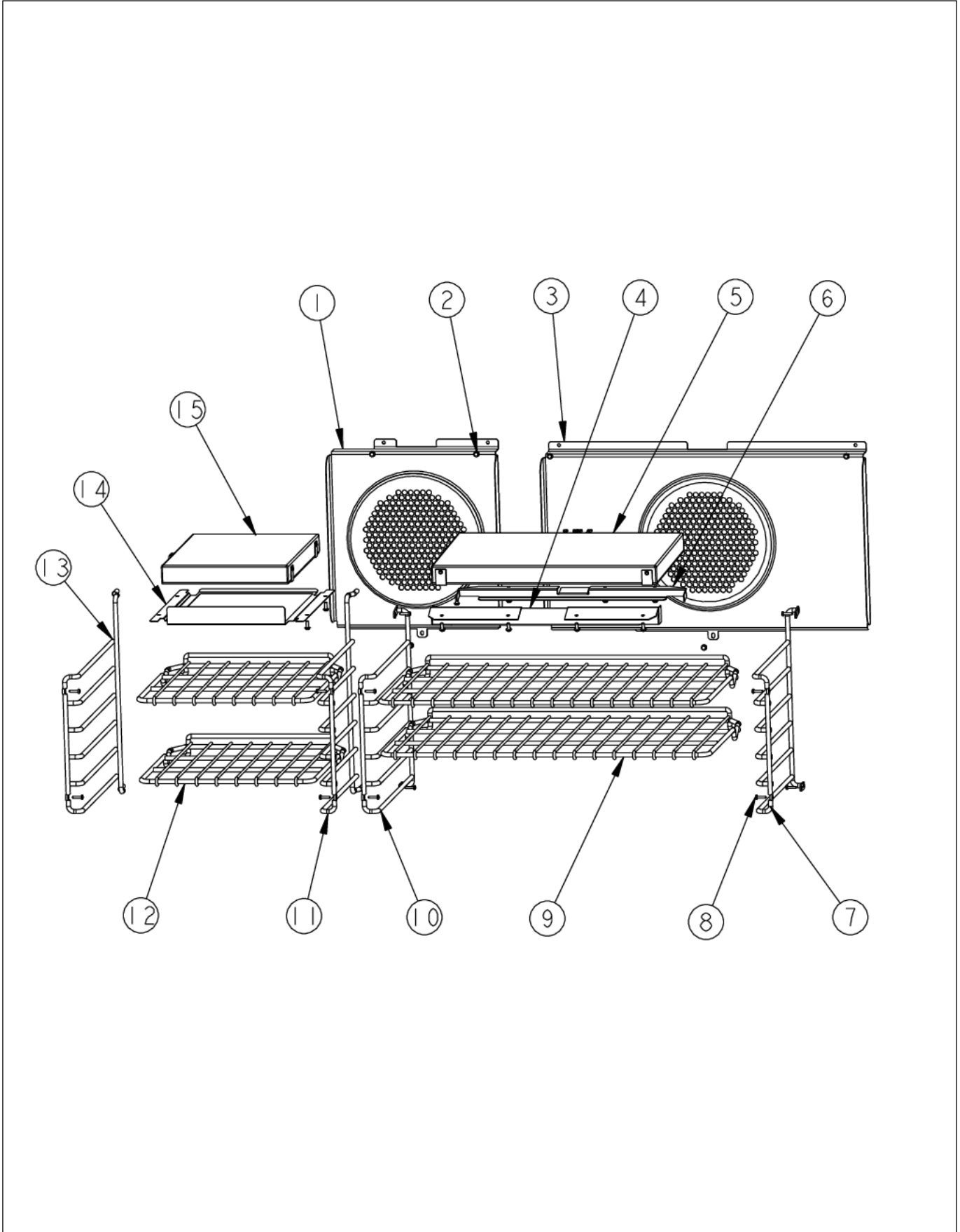
NON  
ILLUSTRATED PART





Item	Part No.	Name	Qty	Uom	NOTES
NI	000915-000	LIMIT JUMPER	2	EA	
Not Shown	NOTE	(BEFORE 7/29/10)		EA	

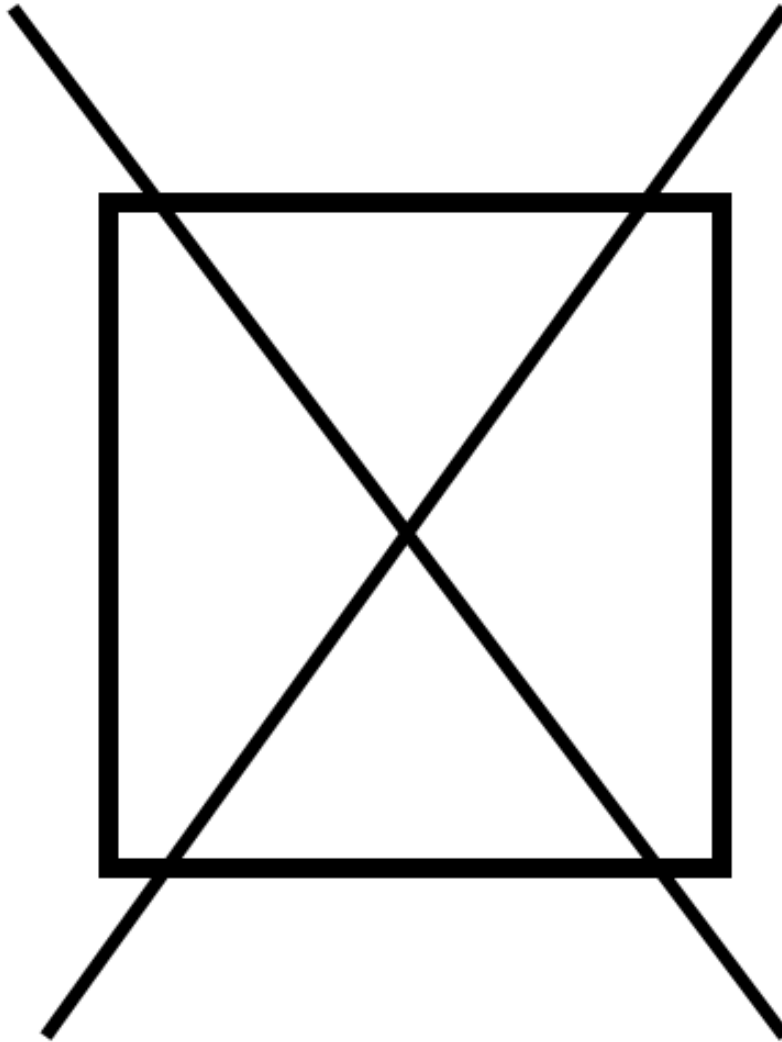
OVEN INTERIOR





Item	Part No.	Name	Qty	Uom	NOTES
1	006176-000	BAFFLE, CNVN, ASM, VDSC 18"	1	EA	
2	PD020048	NO.10 X 1/2 TEK 410 SS SCREW	16	EA	
3	G91013598	30" BAFFLE ASSEMBLY	1	EA	
4	024234-000	BRACKET, BROILER, FRONT	1	EA	
5	024040-000	ELEMENT, RIBBON	1	EA	
<p>Comments for Part Num. 024040-000</p> <p>jhobbs@kimballinc.com on Jan 4, 2019</p> <p>Please Correct the part number on this ( 057872-000)</p>					
6	024221-000	BRACKET, BROILER, REAR	1	EA	
7	PB060103	RACK SUPPORT RH	1	EA	
8	PD020232	#8 X 3/4" PH PAN HEAD TEK SCREW (BLACK OXIDE)	12	EA	
9	PB060107	30" OVEN RACK	2	EA	
10	PB060104	RACK SUPPORT LH	1	EA	
11	066478-402	SUPPORT, RACK, RHS, PORCELAIN	1	EA	
12	006379-000	OVEN, RACK, ASM, STANDARD, VDSC18	2	EA	
13	066479-402	SUPPORT, RACK, LHS, PORCELAIN	1	EA	
14	006748-000	BRACKET,SST,201HP,MILL,VD SC18",GLASS BROILER	1	EA	
15	006380-000	ELEMENT, GLASS, BROILER, 18"	1	EA	
16	PD020032	SRW-8(A)X3/8"PH.WFR HD 7/16DIA*NICL	1	EA	

NON  
ILLUSTRATED PART

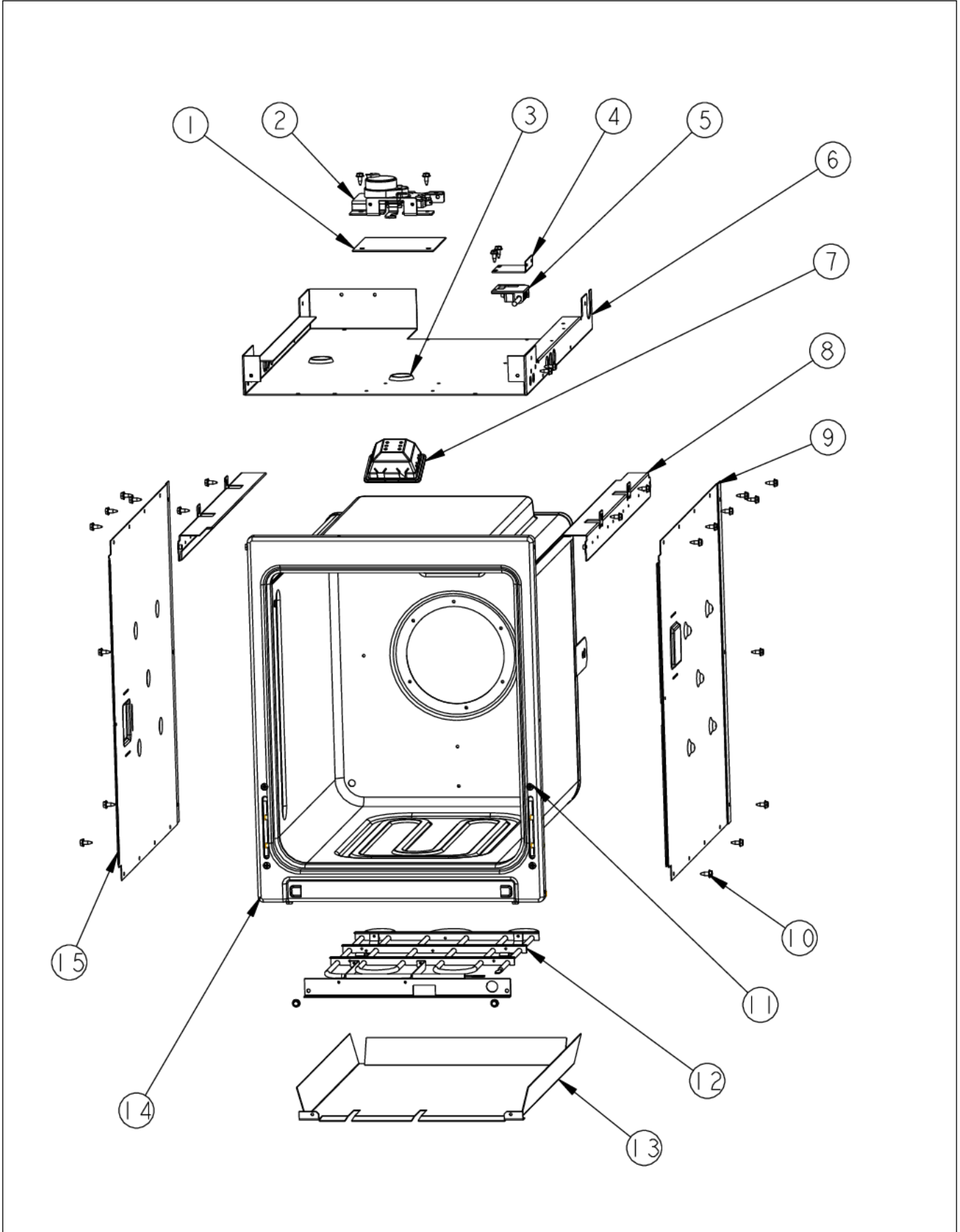






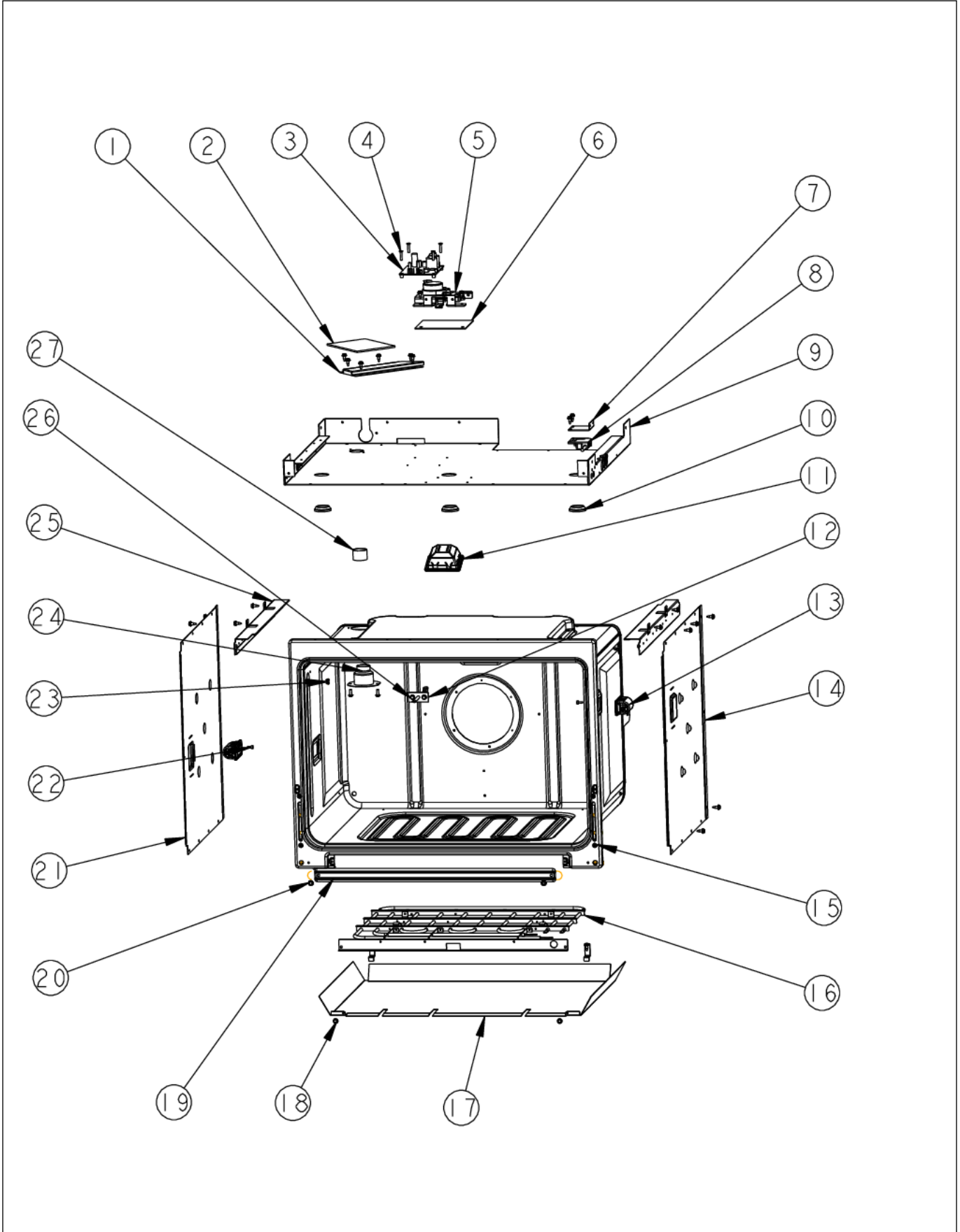
Item	Part No.	Name	Qty	Uom	NOTES
NI	011724-000	HARNESS, WIRING, VDSC548" - LH OVEN	1	EA	
Not Shown	NOTE	(BEFORE 7/29/10)		EA	
NI	020018-000	HARNESS, WIRING - LH OVEN	1	EA	
Not Shown	NOTE	(ON OR AFTER 7/29/10)		EA	
NI	023107-000	ADAPTER, LT, ASM, SINGLE TO TRIPLE	1	EA	
Not Shown	NOTE	(ON OR AFTER 7/29/10)		EA	
NI	024870-000	RIBBON CABLE, LH	1	EA	

OVEN MODULE LT

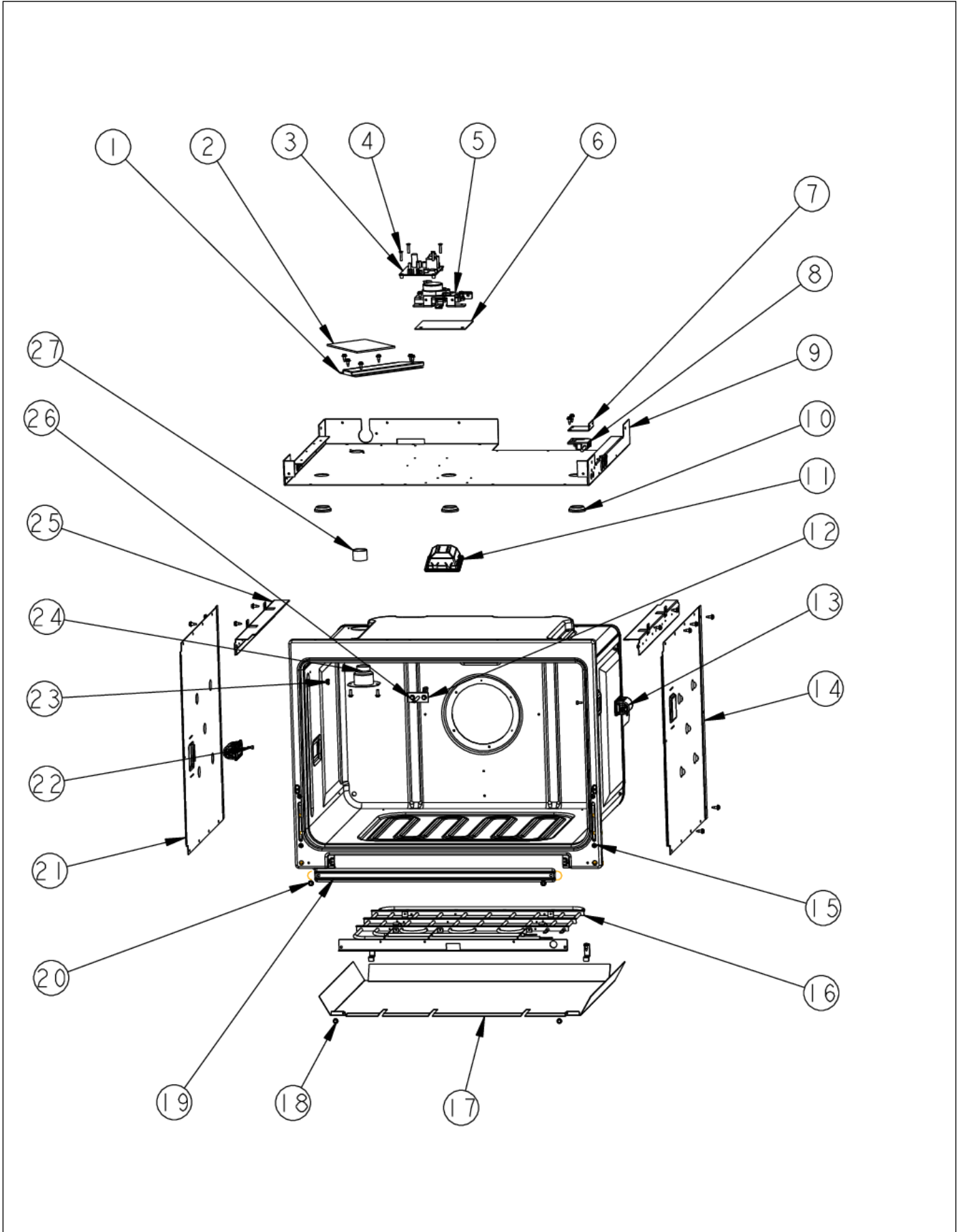


Item	Part No.	Name	Qty	Uom	NOTES
1	PB070321	Lower Latch Insulation	1	EA	
2	013250-000	LATCH,DOOR,ASM,240V,GRID DLE LOCKOUT	1	EA	
Not Shown	NOTE	(BEFORE 10/31/13)		EA	
2	039293-000	LATCH, ELEC, 240V, ASSY	1	EA	
Not Shown	NOTE	(ON OR AFTER 10/31/13)		EA	
3	PB070079	SILICONE EXTRUSION (DGSU)	2	EA	
4	A20012649	DOOR SWITCH BRACKET	1	EA	
5	PE050208	DOOR SWITCH	1	EA	
6	006195-000	OVEN, MDL, TOP, FLAT, VDSC18"	1	EA	
7	020403-000	LAMP, OVEN, 120V/40W	1	EA	
8	A2009641	BRKT, TOP WRAPPER	2	EA	
9	A2009622	BRKT, TOP WRAPPER, RIGHT	1	EA	Not available online / Call for pricing and availability
10	003860-000	10-18 x .500 FASTNR,SCR,HXWH,STL,ZPLT	32	EA	
11	PD020062	#8-32 X 3/8 PHMS TYPE 1	1	EA	
12	006166-000	ELEMENT, BAKE, VDSC18"	1	EA	
13	006163-000	ELEMENT, MTG, FLAT,TRAY,VDSC18"	1	EA	
14	NON REPLACEBLE	OVEN CAVITY, ASM 18" (002721-000)	1	EA	
15	A20012650	BRKT, TOP WRAPPER LEFT	1	EA	Not available online / Call for pricing and availability
16	PD020032	SRW-8(A)X3/8"PH.WFR HD 7/16DIA*NICL	1	EA	
NI	031679-000	RECEPTACLE, HINGE	2	EA	

OVEN MODULE RT



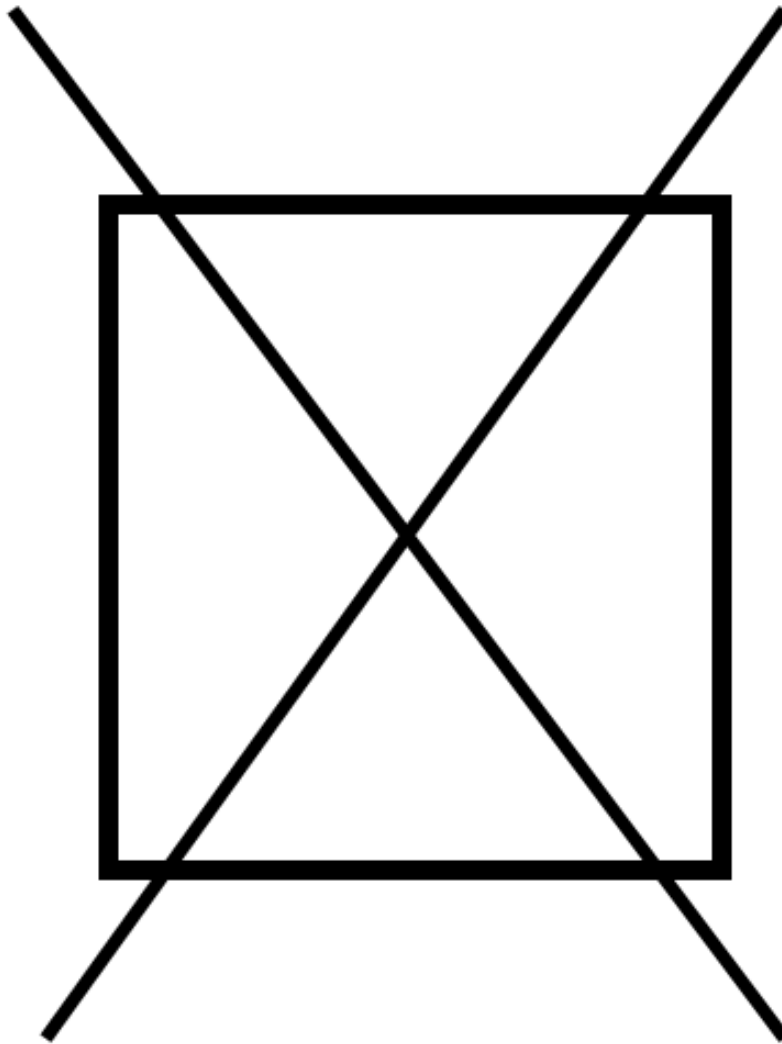
Item	Part No.	Name	Qty	Uom	NOTES
1	003333-000	DUCT, FLUE	1	EA	
2	004285-000	INSULATION, FOIL-BACKED,4"x5"	1	EA	
3	PA020056	NLA - See TC-0063D-SP for kit number (see comments)	1	EA	
Not Shown	NOTE	(BEFORE 01/20/11)		EA	
3	023651-000	DSI120-2-LVS	1	EA	
Not Shown	NOTE	(ON OR AFTER 01/20/11)		EA	
4	PD020043	#6-32 X .750 PH. CTRSK T(F)-VGSO166	4	EA	
5	013250-000	LATCH,DOOR,ASM,240V,GRID DLE LOCKOUT	1	EA	
Not Shown	NOTE	(BEFORE 10/31/13)		EA	
5	039293-000	LATCH, ELEC, 240V, ASSY	1	EA	
Not Shown	NOTE	(ON OR AFTER 10/31/13)		EA	
6	PB070321	Lower Latch Insulation	1	EA	
7	A20012649	DOOR SWITCH BRACKET	1	EA	
8	PE050208	DOOR SWITCH	1	EA	
9	002754-000	RANGE TOP BRACE, AIR CHANNEL	1	EA	
10	PB070079	SILICONE EXTRUSION (DGSU)	3	EA	
11	020403-000	LAMP, OVEN, 120V/40W	1	EA	
12	PE050206	RTD THERMOSTAT PROBE	1	EA	
13	005311-000	LAMP, OVEN, 120V/25W	2	EA	
14	A2009622	BRKT, TOP WRAPPER, RIGHT	1	EA	Not available online / Call for pricing and availability
15	PD020062	#8-32 X 3/8 PHMS TYPE 1	1	EA	
16	PJ010048	BAKE ELEMENT	1	EA	
17	003818-000	OVEN BOTTOM, BACK WRAP ASSY - NLA	1	EA	NO LONGER AVAILABLE
18	003860-000	10-18 x .500 FASTNR,SCR,HXWH,STL,ZPLT	37	EA	
19	E9109655	COVER, BAKE TRAY	1	EA	





Item	Part No.	Name	Qty	Uom	NOTES
20	PD020063	SCREW-#8(A) X 3/8"PH WFR HD/BK OXID	1	EA	
21	A20012650	BRKT, TOP WRAPPER LEFT	1	EA	Not available online / Call for pricing and availability
22	PD020067	' #6 X 3/8" PAN PHIL. TEK *SS*	1	EA	
23	E91014053	PORCELAIN 25/64" HOLE PLUG	1	EA	Not available online / Call for pricing and availability
24	PM010014	SMOKE ELIMINATOR (VDSC)	1	EA	
25	A2009641	BRKT, TOP WRAPPER	2	EA	
26	PD020048	NO.10 X 1/2 TEK 410 SS SCREW	1	EA	
27	PB020275	VENT TUBE	1	EA	
28	PD020232	#8 X 3/4" PH PAN HEAD TEK SCREW (BLACK OXIDE)	1	EA	
NI	031679-000	RECEPTACLE, HINGE	2	EA	

NON  
ILLUSTRATED PART

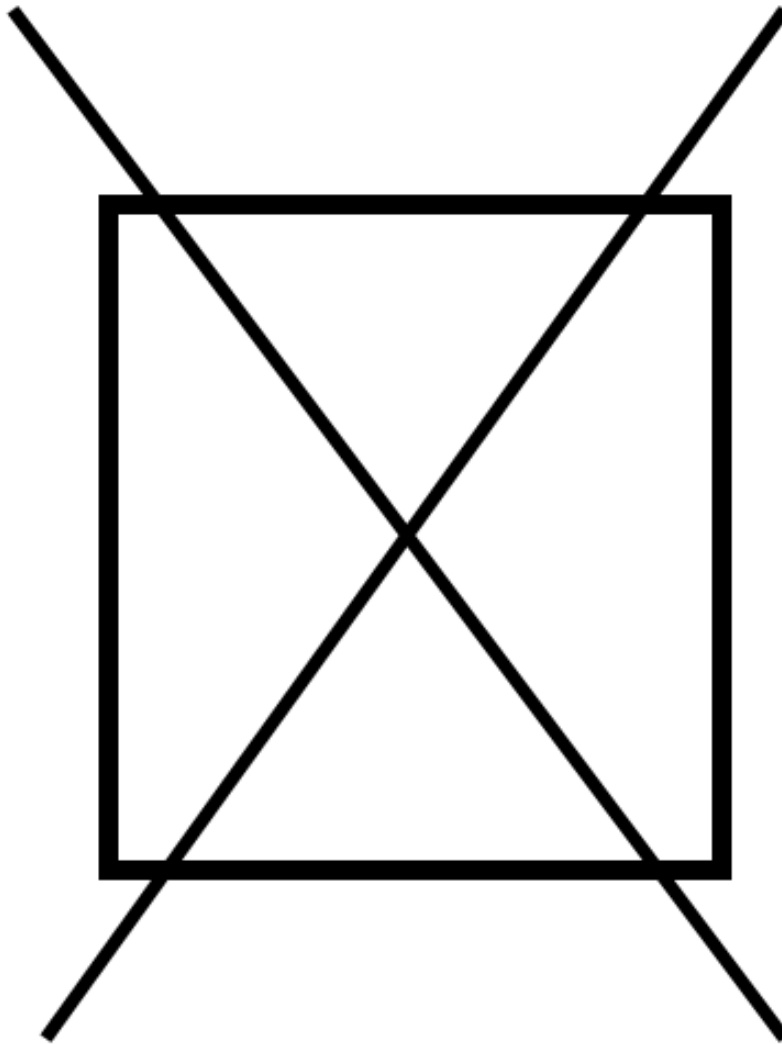






Item	Part No.	Name	Qty	Uom	NOTES
NI	004132-000	OVEN HARNESS - NLA	1	EA	
Not Shown	NOTE	(BEFORE 06/14/10)		EA	
NI	021182-000	MAIN OVEN HARNESS - NLA	1	EA	
<p>Comments for Part Num. 021182-000</p> <p>bradleysapplianceservice@shaw.ca on Apr 27, 2016</p> <p>SUBS TO: 024871-000 MAIN OVEN HARNESS</p>					
Not Shown	NOTE	(06/14/10 THRU 12/6/10)		EA	
NI	024871-000	MAIN HARNESS	1	EA	
Not Shown	NOTE	(ON OR AFTER 12/6/10)		EA	
NI	024869-000	RIBBON CABLE, RH	1	EA	

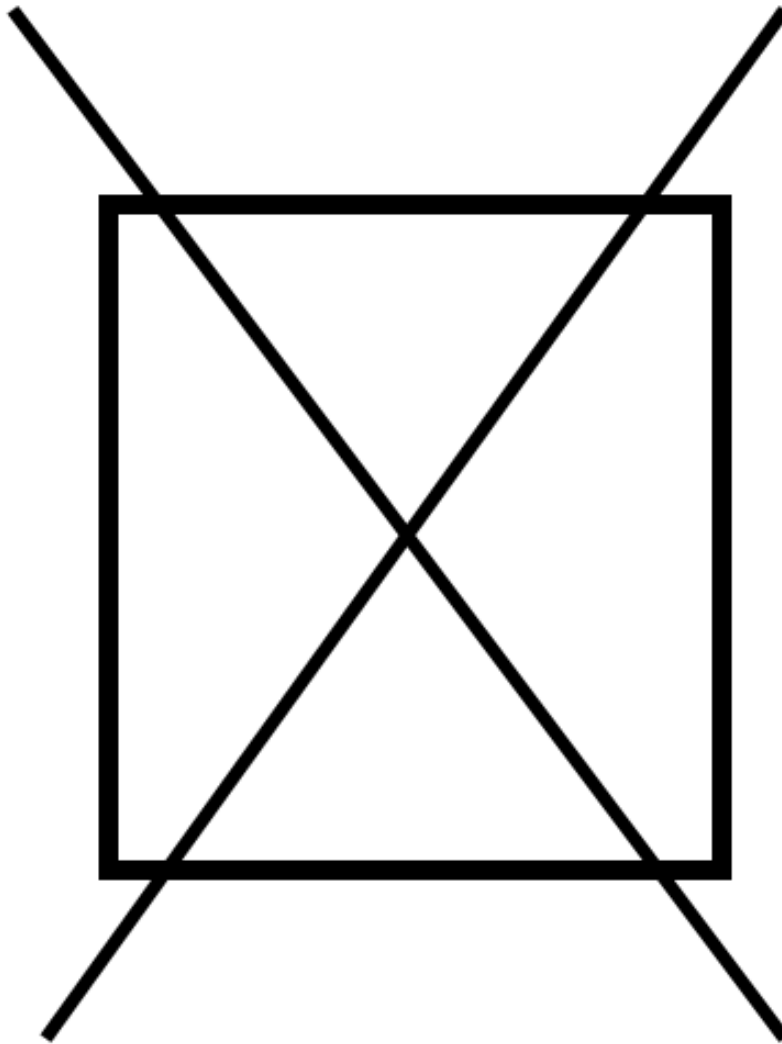
NON  
ILLUSTRATED PART





Item	Part No.	Name	Qty	Uom	NOTES
NI	013371-000	HARNESS, POWER, JUMPER, VDSC548	1	EA	

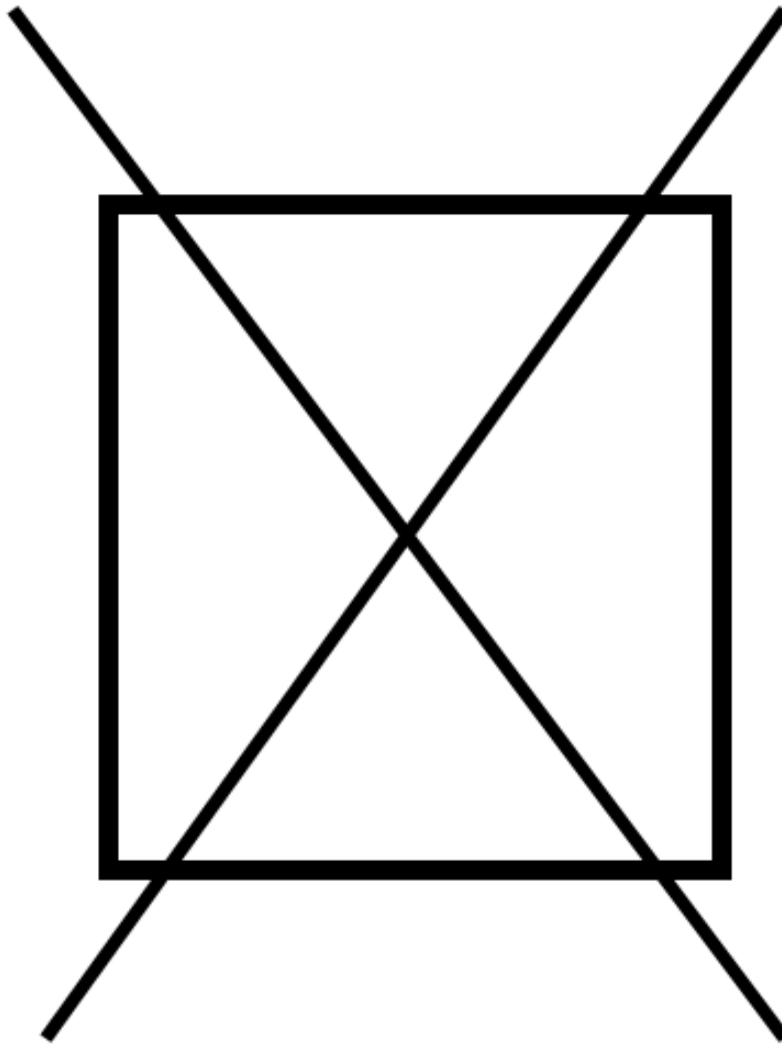
NON  
ILLUSTRATED PART





Item	Part No.	Name	Qty	Uom	NOTES
NI	005292-000	HARN,HEADER, MODEL 5 (SEE MODEL_HEADER)	1	EA	
Not Shown	NOTE	(BEFORE 7/29/10)		EA	
NI	023024-000	HARN, HEADER, MODEL 16 (SEE MODEL_HEADER)	1	EA	
Not Shown	NOTE	(ON OR AFTER 7/29/10)		EA	

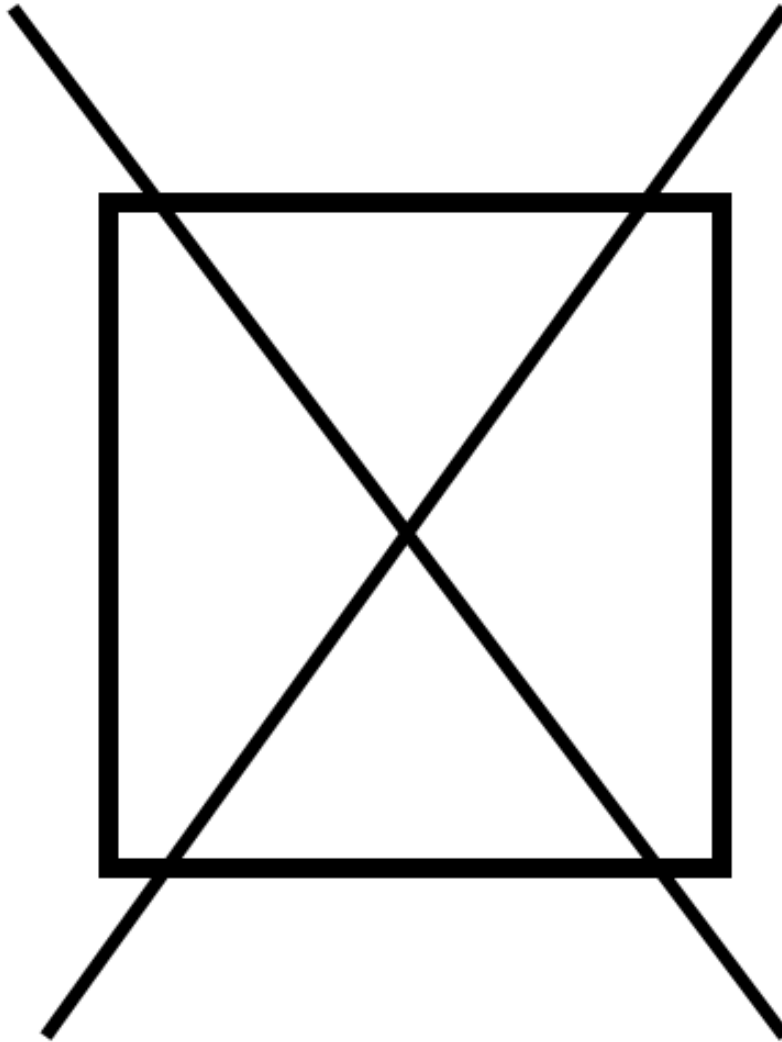
NON  
ILLUSTRATED PART





Item	Part No.	Name	Qty	Uom	NOTES
NI	PE070734	SINGLE OVEN HEADER	2	EA	
Not Shown	NOTE	(BEFORE 7/29/10)		EA	

NON  
ILLUSTRATED PART

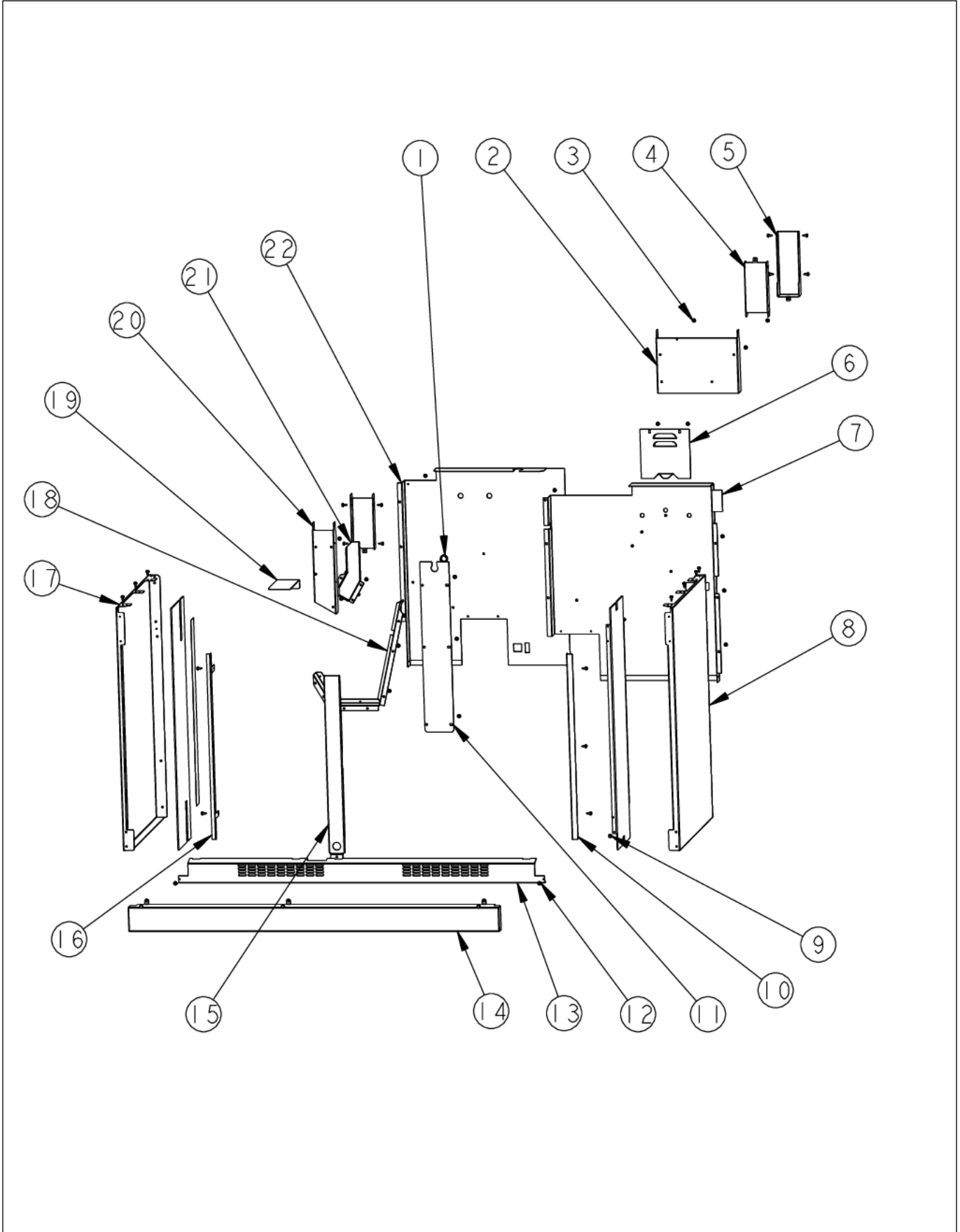






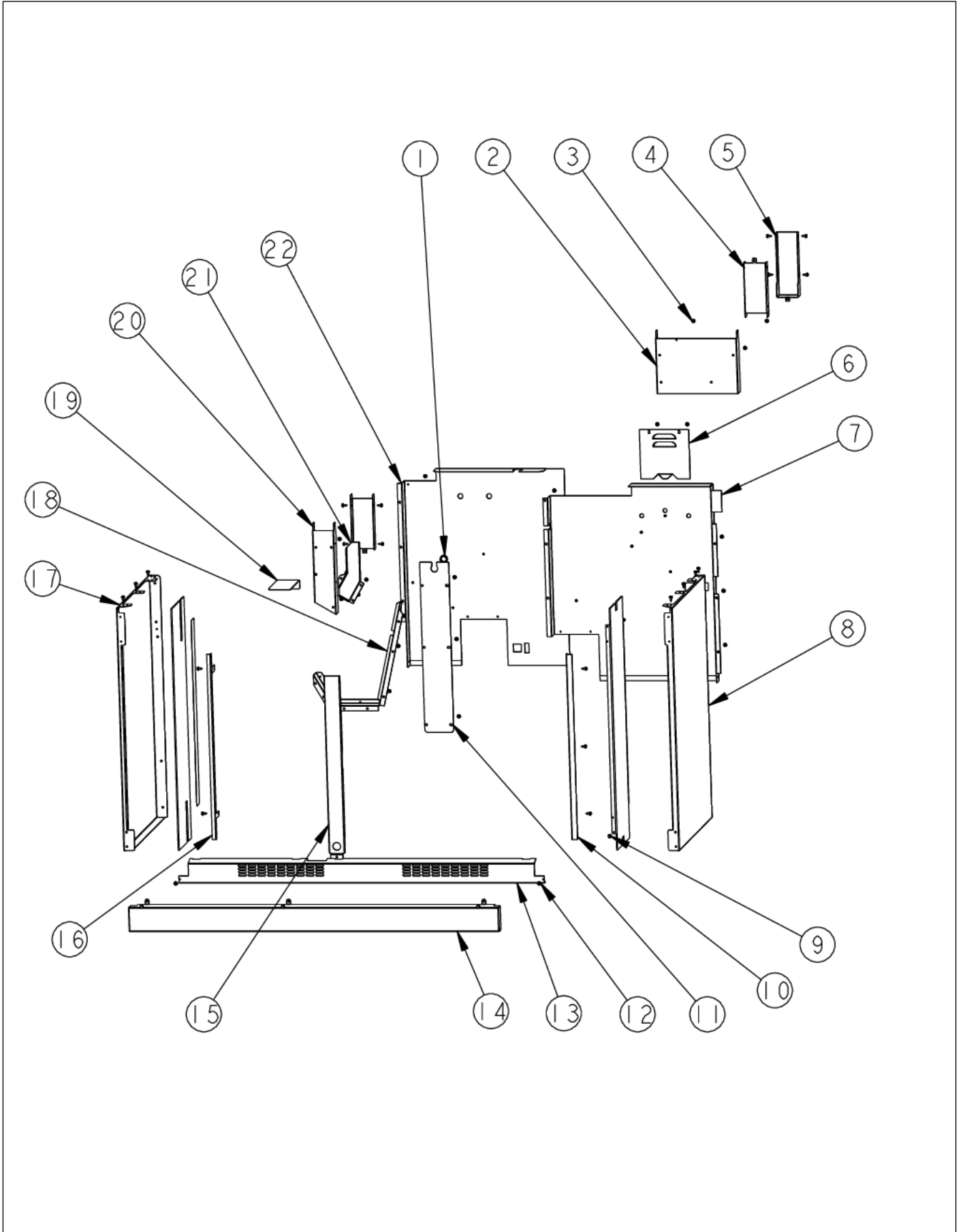
Item	Part No.	Name	Qty	Uom	NOTES
NI	013272-000	HARNESS, TEST, VDSC548, 560	1	EA	

TRIM

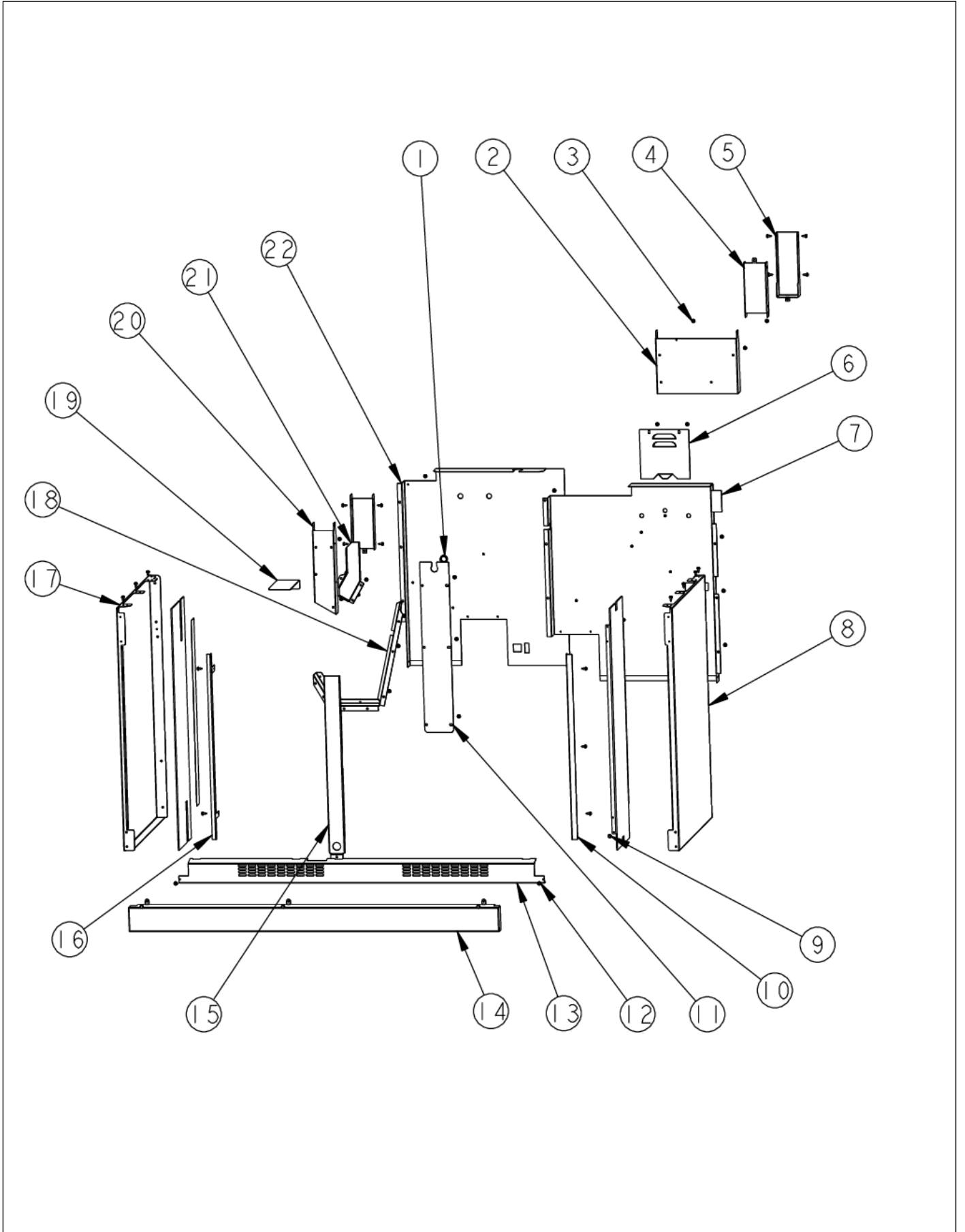




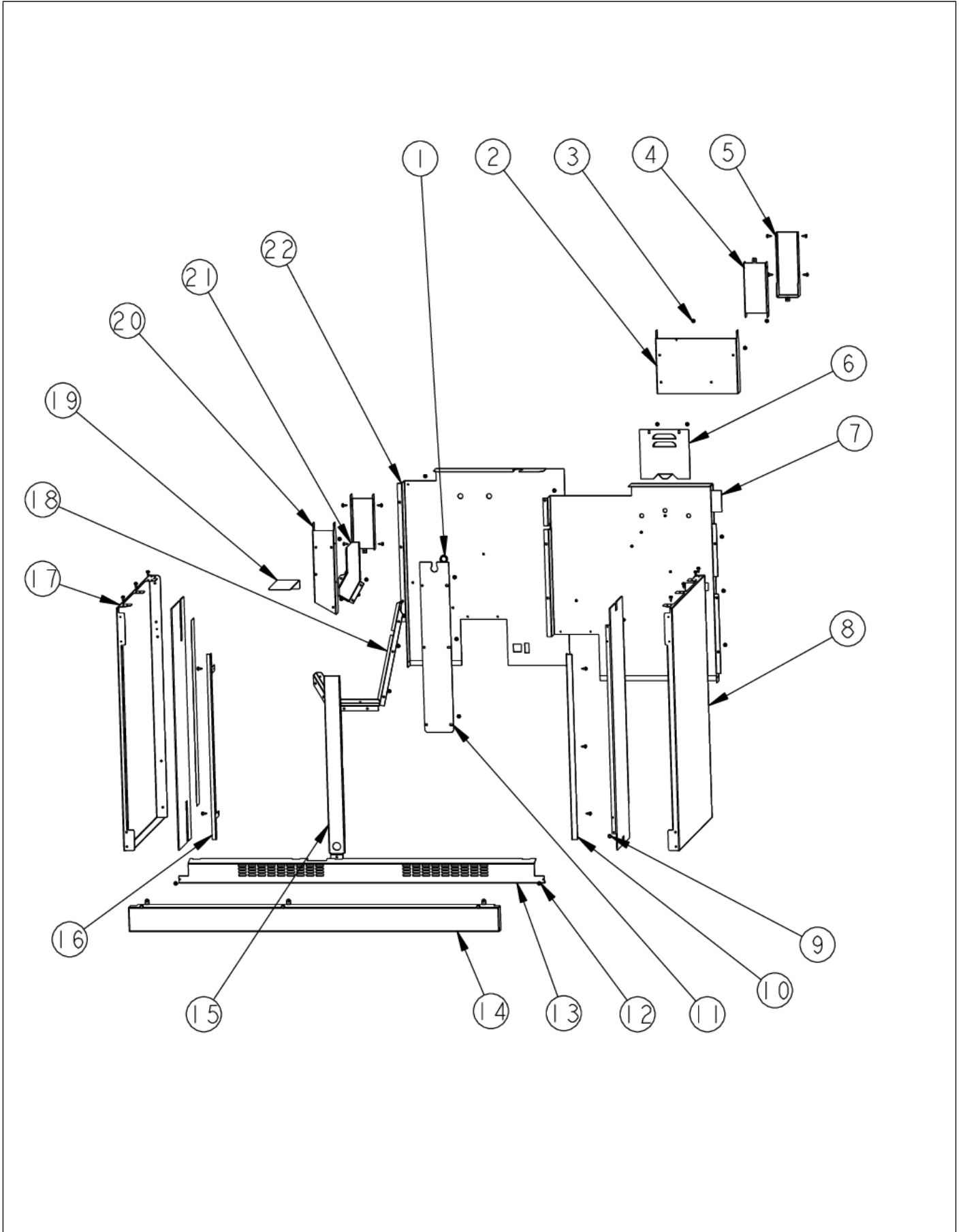
Item	Part No.	Name	Qty	Uom	NOTES
1	PD040005	SNAP BUSHING - 7/8"	1	EA	
2	003681-000	DUCT, AIR	1	EA	
3	003860-000	10-18 x .500 FASTNR,SCR,HXWH,STL,ZPLT	66	EA	
4	A20010102	FLUE, CENTER EXTENDED	2	EA	
5	A20010101	FLUE, OUTSIDE SHELL	1	EA	
6	A2002454	BACK, COVER ACCESS DOOR	1	EA	
7	003272-000	COVER, BACK- INTERNATIONAL	1	EA	
8	003802-000	SIDE PANEL ASSY, RH, SST	1	EA	
8	005503-002	SIDE PANEL, RH ASSY, PAINTED BK	1	EA	
8	005503-005	SIDE PANEL, RH ASSY, PAINTED GG	1	EA	
8	005503-006	SIDE PANEL, RH ASSY, PAINTED WH	1	EA	
8	005503-008	SIDE PANEL, RH ASSY, PAINTED BU	1	EA	
8	005503-013	SIDE PANEL, RH ASSY, PAINTED CB	1	EA	
8	005503-024	SIDE PANEL, RH ASSY, PAINTED AR	1	EA	
9	PD020032	SRW-8(A)X3/8"PH.WFR HD 7/16DIA*NICL	4	EA	
10	003644-000	TRIM,FRONT,SIDE,STAINLESS	1	EA	
11	006400-000	PLATE, BACK, CTR, VDSC48"	1	EA	
12	003801-000	SHOULDER SCREW, #10	2	EA	
13	051834-000	GRILL, ACS, LWR, 48"	1	EA	
14	006300-000	KICKPLATE,RNG,SST,VDSC548	1	EA	
Not Shown	NOTE	(BEFORE 09/25/12)		EA	
14	038433-000	KICKPLATE,RNG,SST,VDSC48	1	EA	
Not Shown	NOTE	(ON OR AFTER 09/25/12)		EA	
14	038434-002	KICKPLATE, RNG, VDSC48" BK	1	EA	
14	038434-003	KICKPLATE, RNG, VDSC48" BT	1	EA	Not available online / Call for pricing and availability



Item	Part No.	Name	Qty	Uom	NOTES
14	038434-004	KICKPLATE, RNG, VDSC48" SG	1	EA	Not available online / Call for pricing and availability
14	038434-005	KICKPLATE, RNG, VDSC48" GG	1	EA	
14	038434-006	KICKPLATE, RNG, VDSC48" WH	1	EA	Not available online / Call for pricing and availability
14	038434-008	KICKPLATE, RNG, VDSC48" BU	1	EA	
14	038434-009	KICKPLATE, RNG, VDSC48" LE	1	EA	Not available online / Call for pricing and availability
14	038434-010	KICKPLATE, RNG, VDSC48" MJ	1	EA	Not available online / Call for pricing and availability
14	038434-012	KICKPLATE, RNG, VDSC48" VB	1	EA	Not available online / Call for pricing and availability
14	038434-013	KICKPLATE, RNG, VDSC48" CB	1	EA	
14	038434-015	KICKPLATE, RNG, VDSC48" PL	1	EA	Not available online / Call for pricing and availability
14	038434-016	KICKPLATE, RNG, VDSC48" CH	1	EA	Not available online / Call for pricing and availability
14	038434-017	KICKPLATE, RNG, VDSC48" TP	1	EA	Not available online / Call for pricing and availability
14	038434-018	KICKPLATE, RNG, VDSC48" CW	1	EA	Not available online / Call for pricing and availability
14	038434-019	KICKPLATE, RNG, VDSC48" OG	1	EA	Not available online / Call for pricing and availability
14	038434-020	KICKPLATE, RNG, VDSC48" GM	1	EA	Not available online / Call for pricing and availability
14	038434-021	KICKPLATE, RNG, VDSC48" SA	1	EA	Not available online / Call for pricing and availability



Item	Part No.	Name	Qty	Uom	NOTES
14	038434-022	KICKPLATE, RNG, VDSC48" SE	1	EA	
14	038434-023	KICKPLATE, RNG, VDSC48" IB	1	EA	
14	038434-024	KICKPLATE, RNG, VDSC48" AR	1	EA	
14	038434-025	KICKPLATE, RNG, VDSC48" RR	1	EA	Not available online / Call for pricing and availability
14	038434-026	KICKPLATE, RNG, VDSC48" PM	1	EA	Not available online / Call for pricing and availability
14	038434-027	KICKPLATE, RNG, VDSC48" MS	1	EA	Not available online / Call for pricing and availability
15	006750-000	RANGE, TRIM, CTR, VDSC548	1	EA	
16	010956-000	OVEN,TRIM,LH,SST,FLAT,VDS C548	1	EA	
17	007992-000	RANGE,PNL,ASM,LH,SIDE,VDS C548	1	EA	
17	013365-002	SIDE PANEL ASM, LH 48" BK	1	EA	Not available online / Call for pricing and availability
17	013365-005	SIDE PANEL ASM, LH 48"-GG	1	EA	Not available online / Call for pricing and availability
17	013365-006	SIDE PANEL ASM, LH 48" WH	1	EA	
17	013365-008	SIDE PANEL ASM, LH 48" BU	1	EA	Not available online / Call for pricing and availability
17	013365-013	SIDE PANEL ASM, LH 48" CB	1	EA	
17	013365-024	SIDE PANEL ASM, LH 48"-AR	1	EA	
18	007248-000	BAFFLE, FAN, REAR, VDSC18"	1	EA	
19	007793-000	PLATE, SVCE,FLAT,REGULATOR,VDSC 548	1	EA	
20	007188-000	DUCT, AIR, REAR, VDSC18"	1	EA	
21	007441-000	EXHAUST, DUCT, REAR, VDSC18"	1	EA	
22	007504-000	COVER, BACK, VDSC18"	1	EA	Not available online / Call for pricing and availability







Item	Part No.	Name	Qty	Uom	NOTES
NI	A2002654	ANTI-TIP DEVICE (VDSC)	1	EA	
NI	034927-000	BRACKET, ANTI-TIP	1	EA	
NI	034928-000	BRACKET, HOOK, ANTI-TIP	1	EA	



Appendix A:Pages Index

BAKE EL HARN ..... 1  
BAKE ELEM LT HARN ..... 2  
BASE MODULE ..... 3  
BURNER BOX ..... 4  
BURNER SURFACE ..... 5  
COMM HARN ..... 6  
CONTROL PANEL ..... 7  
CP HARN ..... 8  
DOOR ASSY LT ..... 9  
DOOR ASSY RT ..... 10  
DSI HARN ..... 11  
FAN ASSY LT ..... 12  
FAN ASSY RT ..... 13  
GRDL HARN ..... 14  
IRIS HARN ..... 15  
IRIS PWR HARN ..... 16  
LH HEADER ..... 17  
LIGHT SW HARN ..... 18  
LIMIT JUMPER ..... 19  
OVEN INTERIOR ..... 20  
OVEN LT HARN ..... 21  
OVEN MODULE LT ..... 22  
OVEN MODULE RT ..... 23  
OVEN RT HARN ..... 24  
PWR HARN ..... 25  
RH HEADER ..... 26  
SIGLE OVEN HEADER ..... 27  
TEST HARN ..... 28  
TRIM ..... 29



Appendix B:Parts Index

000594-000	9, 10	003801-000	29
000647-000	15	003802-000	29
000915-000	19	003818-000	13, 23
001394-041	4	003860-000	3, 4, 5, 12, 13, 22, 23, 29
001394-042	4	004021-000	5
001394-044	4	004110-000	13
001394-046	4	004132-000	24
002406-000	3	004133-000	8
002709-000	9	004152-000	10
002709-402	9	004153-000	10
002724-000	10	004176-000	10
002726-000	10	004285-000	23
002728-000	10	004295-000	16
002732-000	10	004907-000	9, 10
002740-000	10	005269-000	7
002754-000	23	005270-000	7
002755-000	4	005271-000	7
002884-000	4	005292-000	26
002920-000	5	005300-000	9
002923-000	4	005311-000	23
002941-000	13	005458-000	12
003011-000	9, 10	005503-002	29
003011-100	9, 10	005503-005	29
003012-000	9, 10	005503-006	29
003012-100	9, 10	005503-008	29
003053-000	3	005503-013	29
003054-000	3	005503-024	29
003055-000	3	006154-000	3
003272-000	29	006155-000	3
003319-000	5	006156-000	3
003322-041	5	006158-000	3
003333-000	23	006163-000	22
003356-000	13	006166-000	22
003481-000	4	006167-000	12
003644-000	29	006176-000	20
003649-000	5	006195-000	22
003681-000	29	006207-000	9
003719-000	7	006209-000	9
003761-000	3	006219-000	9
003763-000	3	006220-000	9
		006221-000	9



006223-000	9	008276-000	9
006225-000	9	008286-000	4
006226-000	9	008312-000	7
006226-100	9	008461-000	4
006227-000	9	008464-000	4
006227-100	9	008636-000	4
006234-000	3	008904-000	4
006240-000	4	009197-000	5
006300-000	29	009426-000	9
006313-000	4	009427-000	9
006379-000	20	009428-000	9
006380-000	20	009645-000	17
006400-000	29	009665-000	14
006424-000	7	010168-000	5
006574-000	7	010956-000	29
006712-000	4	011178-000	9
006748-000	20	011724-000	21
006750-000	29	011729-000	6
006766-000	15	012771-000	4
006787-000	10	012828-000	11
006788-000	10	013250-000	22, 23
006802-002	3	013272-000	28
006804-000	10	013295-000	18
006804-100	10	013355-002	10
006805-000	10	013355-003	10
006805-100	10	013355-004	10
006807-000	9	013355-005	10
006808-000	9	013355-006	10
006997-000	9	013355-007	10
007188-000	29	013355-008	10
007248-000	12, 29	013355-009	10
007323-000	5	013355-010	10
007419-000	12	013355-011	10
007420-000	12	013355-012	10
007441-000	29	013355-013	10
007504-000	29	013355-014	10
007776-000	4	013355-015	10
007793-000	29	013355-016	10
007794-000	12	013355-017	10
007878-000	4, 5	013355-018	10
007992-000	29	013355-019	10



013355-020	10	013356-009	10
013355-021	10	013356-010	10
013355-022	10	013356-011	10
013355-023	10	013356-012	10
013355-024	10	013356-013	10
013355-025	10	013356-014	10
013355-026	10	013356-015	10
013355-027	10	013356-016	10
013355-102	10	013356-017	10
013355-103	10	013356-018	10
013355-104	10	013356-019	10
013355-105	10	013356-020	10
013355-106	10	013356-021	10
013355-107	10	013356-022	10
013355-108	10	013356-023	10
013355-109	10	013356-024	10
013355-110	10	013356-025	10
013355-111	10	013356-026	10
013355-112	10	013356-027	10
013355-113	10	013356-102	10
013355-114	10	013356-103	10
013355-115	10	013356-104	10
013355-116	10	013356-105	10
013355-117	10	013356-106	10
013355-118	10	013356-107	10
013355-119	10	013356-108	10
013355-120	10	013356-109	10
013355-121	10	013356-110	10
013355-122	10	013356-111	10
013355-123	10	013356-112	10
013355-124	10	013356-113	10
013355-125	10	013356-114	10
013355-126	10	013356-115	10
013355-127	10	013356-116	10
013356-002	10	013356-117	10
013356-003	10	013356-118	10
013356-004	10	013356-119	10
013356-005	10	013356-120	10
013356-006	10	013356-121	10
013356-007	10	013356-122	10
013356-008	10	013356-123	10



013356-124	10	013357-113	9
013356-125	10	013357-114	9
013356-126	10	013357-115	9
013356-127	10	013357-116	9
013357-002	9	013357-117	9
013357-003	9	013357-118	9
013357-004	9	013357-119	9
013357-005	9	013357-120	9
013357-006	9	013357-121	9
013357-007	9	013357-122	9
013357-008	9	013357-123	9
013357-009	9	013357-124	9
013357-010	9	013357-125	9
013357-011	9	013357-126	9
013357-012	9	013357-127	9
013357-013	9	013358-002	9
013357-014	9	013358-003	9
013357-015	9	013358-004	9
013357-016	9	013358-005	9
013357-017	9	013358-006	9
013357-018	9	013358-007	9
013357-019	9	013358-008	9
013357-020	9	013358-009	9
013357-021	9	013358-010	9
013357-022	9	013358-011	9
013357-023	9	013358-012	9
013357-024	9	013358-013	9
013357-025	9	013358-014	9
013357-026	9	013358-015	9
013357-027	9	013358-016	9
013357-102	9	013358-017	9
013357-103	9	013358-018	9
013357-104	9	013358-019	9
013357-105	9	013358-020	9
013357-106	9	013358-021	9
013357-107	9	013358-022	9
013357-108	9	013358-023	9
013357-109	9	013358-024	9
013357-110	9	013358-025	9
013357-111	9	013358-026	9
013357-112	9	013358-027	9



013358-102	9	018200-000	5
013358-103	9	018607-000	13
013358-104	9	018608-000	12
013358-105	9	020018-000	21
013358-106	9	020019-000	8
013358-107	9	020403-000	22, 23
013358-108	9	021143-000	10
013358-109	9	021144-002	10
013358-110	9	021144-003	10
013358-111	9	021144-004	10
013358-112	9	021144-005	10
013358-113	9	021144-006	10
013358-114	9	021144-007	10
013358-115	9	021144-008	10
013358-116	9	021144-009	10
013358-117	9	021144-010	10
013358-118	9	021144-011	10
013358-119	9	021144-012	10
013358-120	9	021144-013	10
013358-121	9	021144-014	10
013358-122	9	021144-015	10
013358-123	9	021144-016	10
013358-124	9	021144-017	10
013358-125	9	021144-018	10
013358-126	9	021144-019	10
013358-127	9	021144-020	10
013365-002	29	021144-021	10
013365-005	29	021144-022	10
013365-006	29	021144-023	10
013365-008	29	021144-024	10
013365-013	29	021144-025	10
013365-024	29	021144-026	10
013371-000	25	021144-027	10
013406-000	2	021182-000	24
013593-000	5	021308-002	9
013595-000	5	021308-003	9
015043-000	7, 7	021308-004	9
015096-000	3, 3	021308-005	9
015357-000	15	021308-006	9
015412-000	10	021308-008	9
015412-402	10	021308-009	9



021308-010	9	038434-002	29
021308-012	9	038434-003	29
021308-013	9	038434-004	29
021308-015	9	038434-005	29
021308-016	9	038434-006	29
021308-017	9	038434-008	29
021308-018	9	038434-009	29
021308-019	9	038434-010	29
021308-020	9	038434-012	29
021308-021	9	038434-013	29
021308-022	9	038434-015	29
021308-023	9	038434-016	29
021308-024	9	038434-017	29
021308-025	9	038434-018	29
021308-026	9	038434-019	29
021308-027	9	038434-020	29
021336-000	7, 7	038434-021	29
023024-000	26	038434-022	29
023107-000	21	038434-023	29
023116-000	12, 13	038434-024	29
023319-000	12, 12, 13, 13	038434-025	29
023325-000	15	038434-026	29
023353-000	9	038434-027	29
023651-000	23	039293-000	22, 23
024040-000	20	041509-000	5
024221-000	20	042179-2115	7
024234-000	20	044178-000	3
024398-000	4	046142-556	3
024684-000	4	049416-000	5
024869-000	24	049420-000	5
024870-000	21	050172-000	7
024871-000	24	051834-000	29
024909-000	3	066478-402	20
030823-000	9, 10	066479-402	20
031679-000	22, 23	A1002457	13
034927-000	29	A20010101	29
034928-000	29	A20010102	29
036047-000	3	A20012640	10
036200-000	14	A20012641	10
038417-000	3	A20012649	22, 23
038433-000	29	A20012650	22, 23





A2002195	13	PD020055	12, 13
A2002454	29	PD020062	7, 22, 23
A2002654	29	PD020063	9, 10, 23
A2009622	22, 23	PD020067	23
A2009641	22, 23	PD020073	10
A2009659	13	PD020076	4
A2009697	12, 13	PD020232	20, 23
E9101130BK	5	PD030006	9
E91014053	23	PD030010	9, 10
E9109655	23	PD030149	12, 13
E9109801BK	5	PD030172	3
G91013598	13, 20	PD040004	7
J2101749	4	PD040005	12, 29
L20014077	10	PD040075	5
PA020028	5	PD040164	3
PA020056	23	PE010030	9
PA020058	4	PE050023	7
PA070003	4	PE050072	7
PA080083	5	PE050203	13
PB020192	4	PE050206	23
PB020193	4	PE050208	22, 23
PB020275	23	PE050227	12, 13
PB040238	4	PE050250	13
PB060103	20	PE060090	10
PB060104	20	PE060094	10
PB060107	20	PE060105	10
PB070079	22, 23	PE070147	13
PB070246	10	PE070734	27
PB070312	12, 13	PE070739	1
PB070321	22, 23	PE070891	15
PC030007	3	PJ010048	23
PD010012	4	PJ010056	12, 13
PD010028	12, 13	PJ030033	7
PD020004	12, 13	PJ030035	7
PD020010	4	PM010014	12, 23
PD020014	13		
PD020032	7, 9, 10, 13, 20, 22, 29		
PD020033	9		
PD020043	3, 23		
PD020046	7		
PD020048	12, 13, 20, 23		