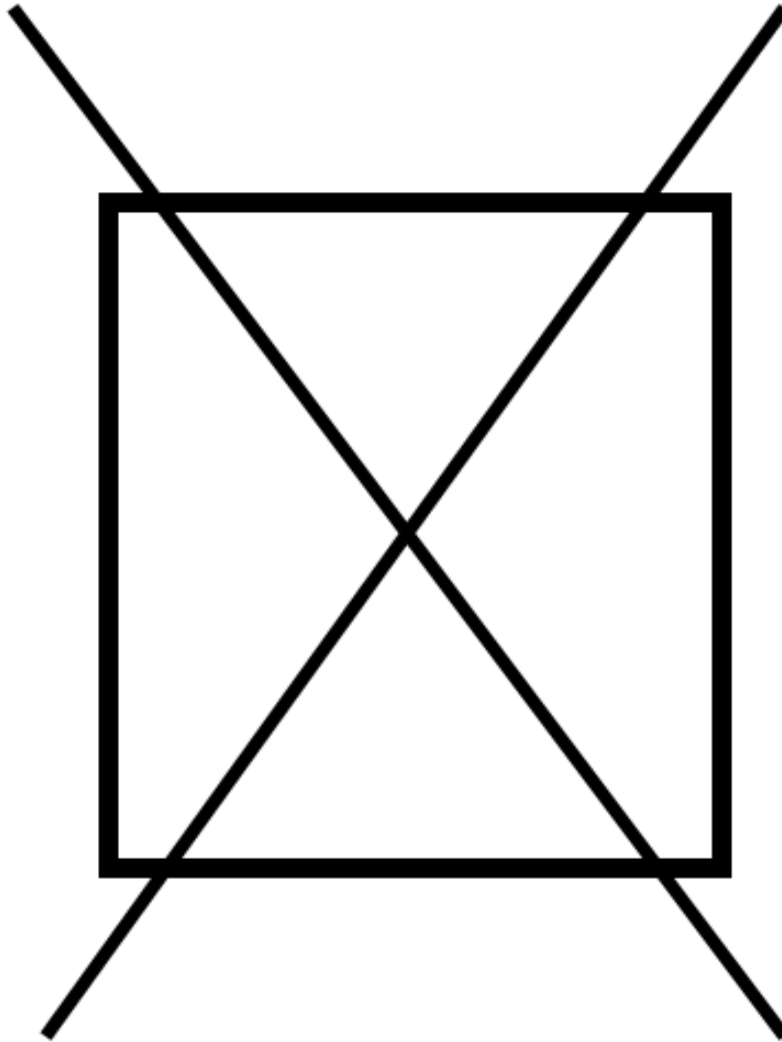


VDSC548-6G

BAKE EL HARN	1
BAKE ELEM LT HARN	2
BASE MODULE	3
BURNER BOX	4
BURNER SURFACE	5
COMM HARN	6
CONTROL PANEL	7
CP HARN	8
DOOR ASSY LT	9
DOOR ASSY RT	10
DSI HARN	11
FAN ASSY LT	12
FAN ASSY RT	13
GRDL HARN	14
IRIS HARN	15
IRIS PWR HARN	16
JUMPER	17
LH HEADER	18
LIGHT SW HARN	19
LIMIT JUMPER	20
OVEN INTERIOR	21
OVEN LT HARN	22
OVEN MODULE LT	23
OVEN MODULE RT	24
OVEN RT HARN	25
PWR HARN	26
RH HEADER	27
SINGLE OVEN HEADER	28
TEST HARN	29
TRIM	30
Appendix A:Pages Index	A
Appendix B:Parts Index	B

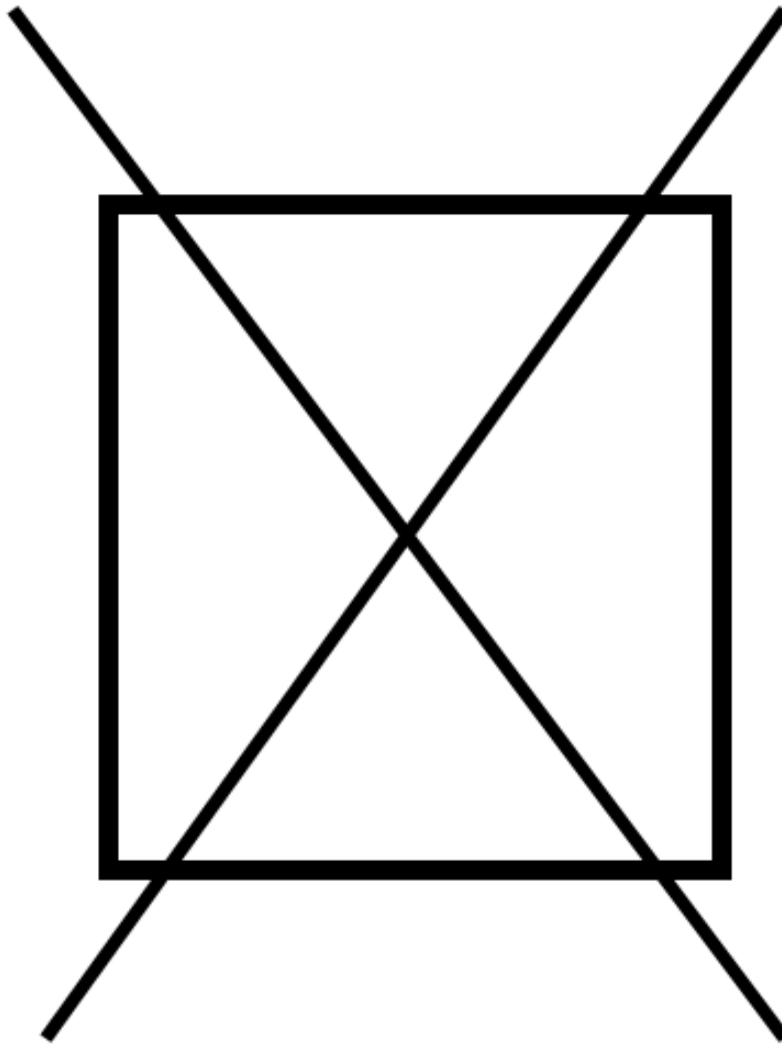
NON ILLUSTRATED PART





Item	Part No.	Name	Qty	Uom	NOTES
NI	PE070739	BAKE ELEMENT HARNESS	1	EA	

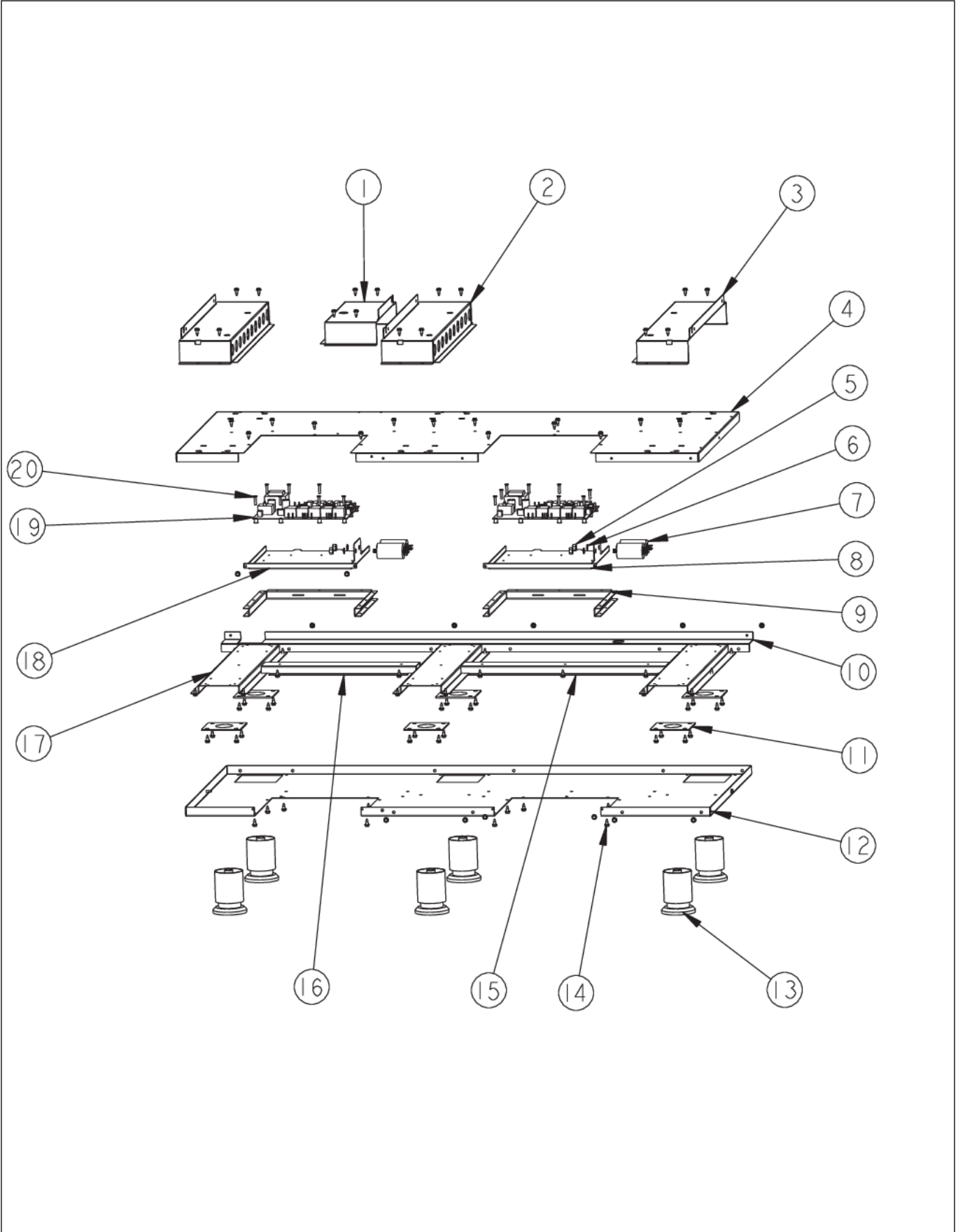
NON
ILLUSTRATED PART



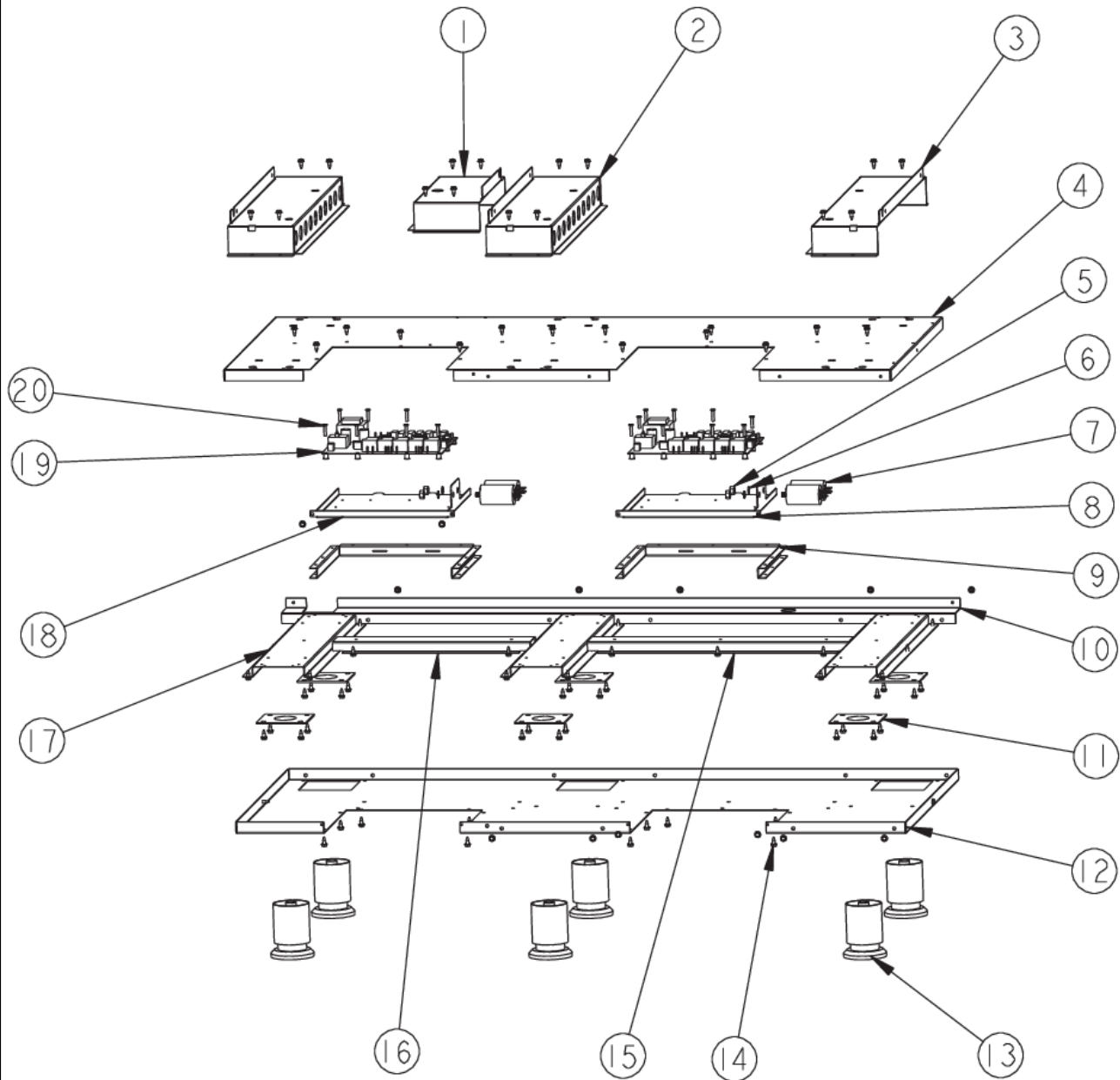


Item	Part No.	Name	Qty	Uom	NOTES
NI	013406-000	HARNESS, BAKE, ELEMENT, VDSC18"	1	EA	

BASE MODULE



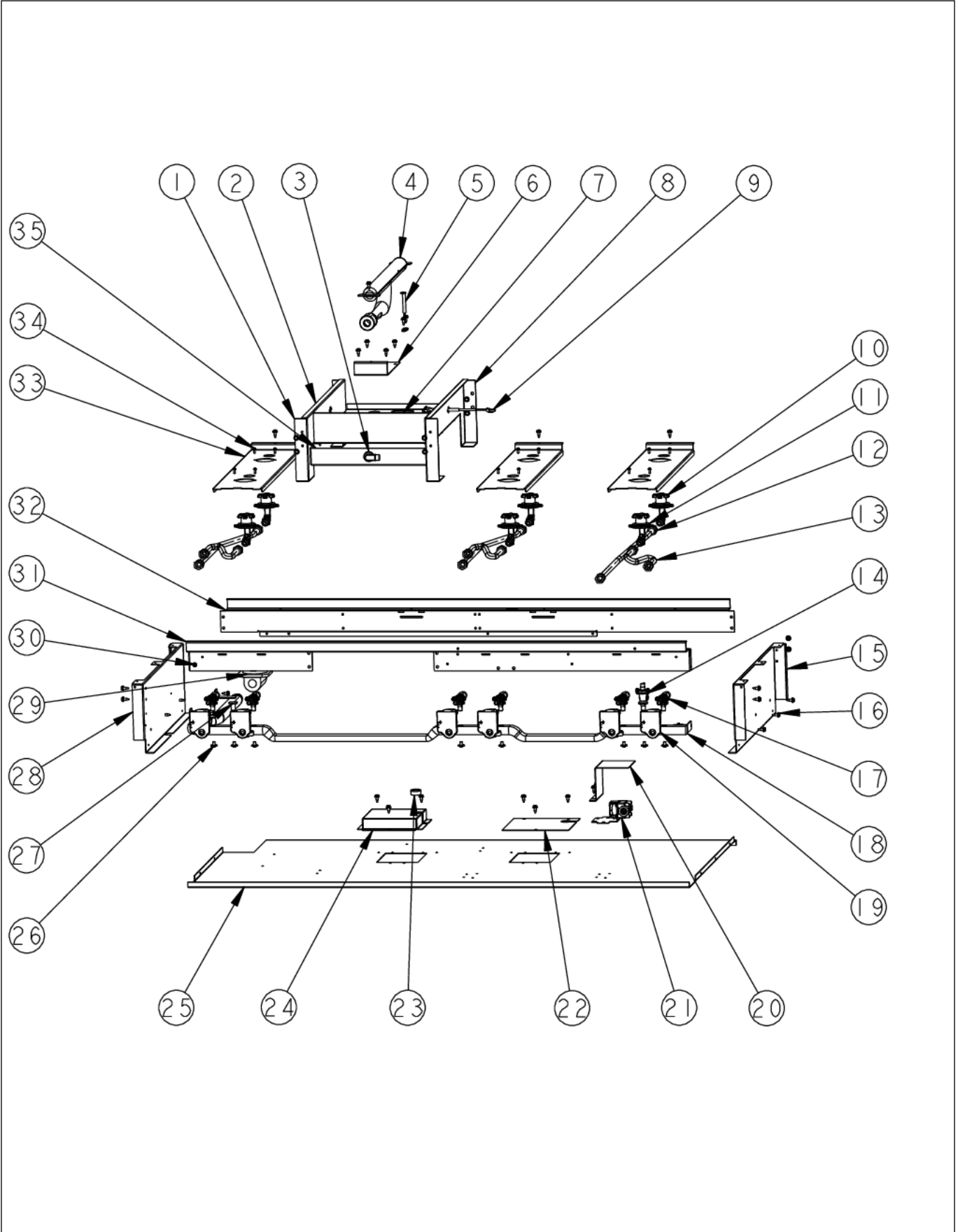
Item	Part No.	Name	Qty	Uom	NOTES
1	006234-000	SUPPORT,OVEN,BOT,RH,VDSC 548	1	EA	
2	003763-000	OVEN MODULE SUPPORT CHANNEL, LH	2	EA	
3	003761-000	OVEN MODULE SUPPORT CHANNEL, RH	1	EA	
4	006155-000	RANGE, BASE, TOP, VDSC548	1	EA	
5	PD030172	M8 X 1.25MM NUT	4	EA	
6	PD040164	5/16 INTERNAL TOOTH LOCK WASHER TYPE A	4	EA	
7	036047-000	EBM FAN MOTOR CAPACITOR	4	EA	
8	015096-000	PLATE, MTG, EOC4 CONTROL BOARD	2	EA	
Not Shown	NOTE	BEFORE 7/29/10		EA	
8	023825-000	TRAY, CNTRL, EOC4 SMPS	2	EA	
Not Shown	NOTE	AFTER 7/29/10		EA	
9	003054-000	BASE CENTER CUTOUT STIFFENER	2	EA	
10	006158-000	RANGE BASE, BACK, VDSC 48"	1	EA	
11	PC030007	LEG PLATE - 3/4" THREADED HOLE	6	EA	
12	006154-000	RANGE, BASE, BOT, VDSC548	1	EA	
13	044178-000	RANGE, LEG, ADJUSTABLE	6	EA	
14	003860-000	FASTENER,SCR,HXWH,STL,ZP LT,10-18 x .500	110	EA	
15	003055-000	BASE CENTER SUPPORT CHANNEL	1	EA	
16	006156-000	RANGE, BASE, LH, CROSS SUPPORT, VDSC548	1	EA	
17	003053-000	BASE LEG SUPPORT CHANNEL	3	EA	
18	015096-000	PLATE, MTG, EOC4 CONTROL BOARD	2	EA	
19	002406-000	CONTROL BOARD	2	EA	





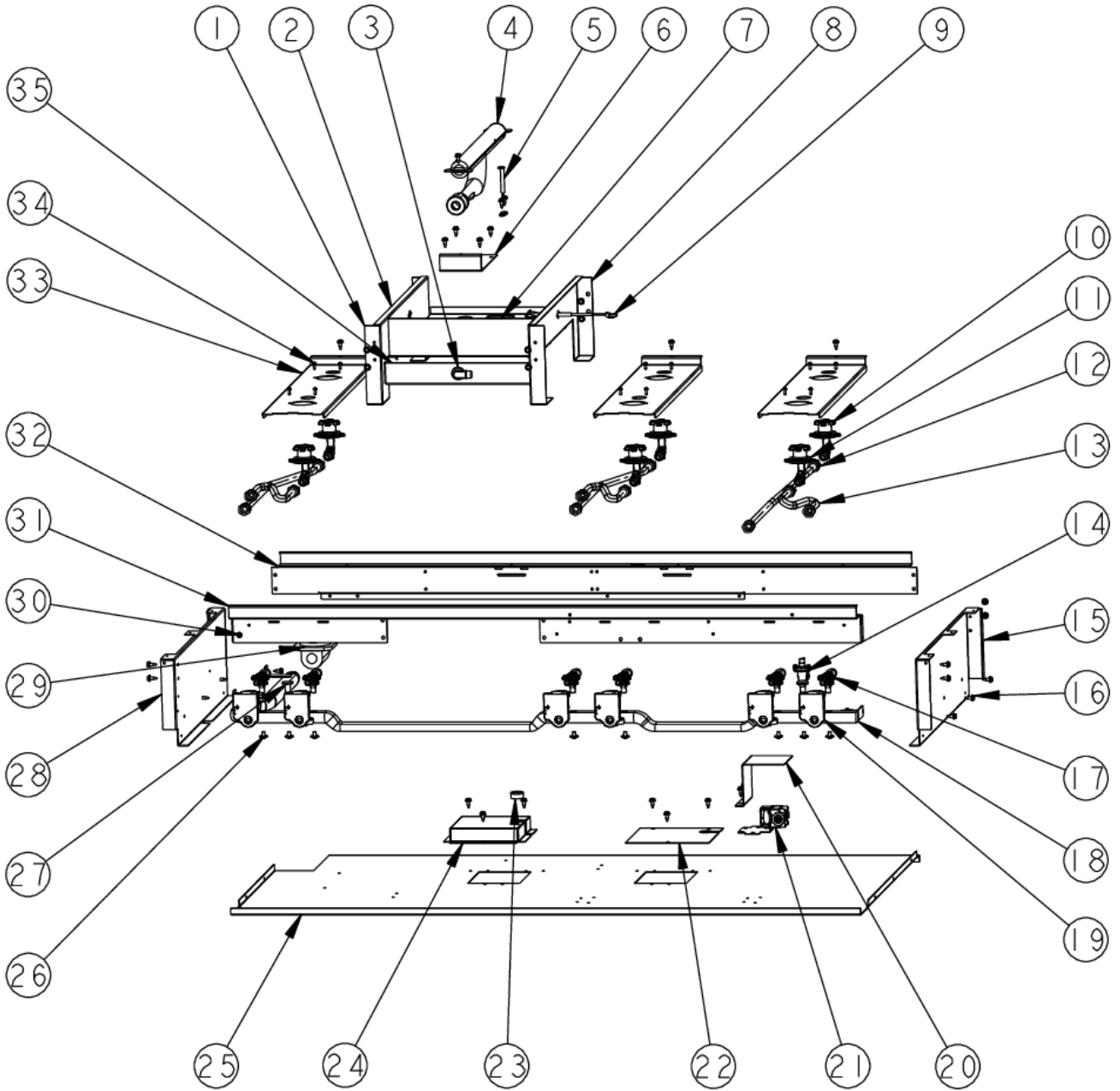
Item	Part No.	Name	Qty	Uom	NOTES
Comments for Part Num. 002406-000					
haarnink@vikingrange.com on Jun 18, 2015					
For the international E Model numbers EVDSC5 we need to add the info that since First unit was EVDSC530S4B: 092314C10147281 any EVDSC built in 2014 went into production with EOC4. so here we need to add the part number 014000-000 EOC4 plus the SMPS part number 013999-000					
Not Shown	NOTE	(BEFORE 7/29/10)		EA	
19	046142-571	CONTROL, EOC4, LED, V39/V51 & FAMILY	2	EA	
Not Shown	NOTE	(ON OR AFTER 7/29/10)		EA	
NI	038417-000	EOC4 POWER SUPPLY BOARD, CB	1	EA	
Not Shown	NOTE	(ON OR AFTER 7/29/10)		EA	
20	PD020043	#6-32 X .750 PH. CTRSK T(F)-VGSO166	18	EA	
NI	000915-000	LIMIT JUMPER	1	EA	
NI	006802-002	COVER, ACS, LWR-VDSC548, BK	1	EA	Not available online / Call for pricing and availability
NI	024909-000	SHIELD, WRG	1	EA	

BURNER BOX



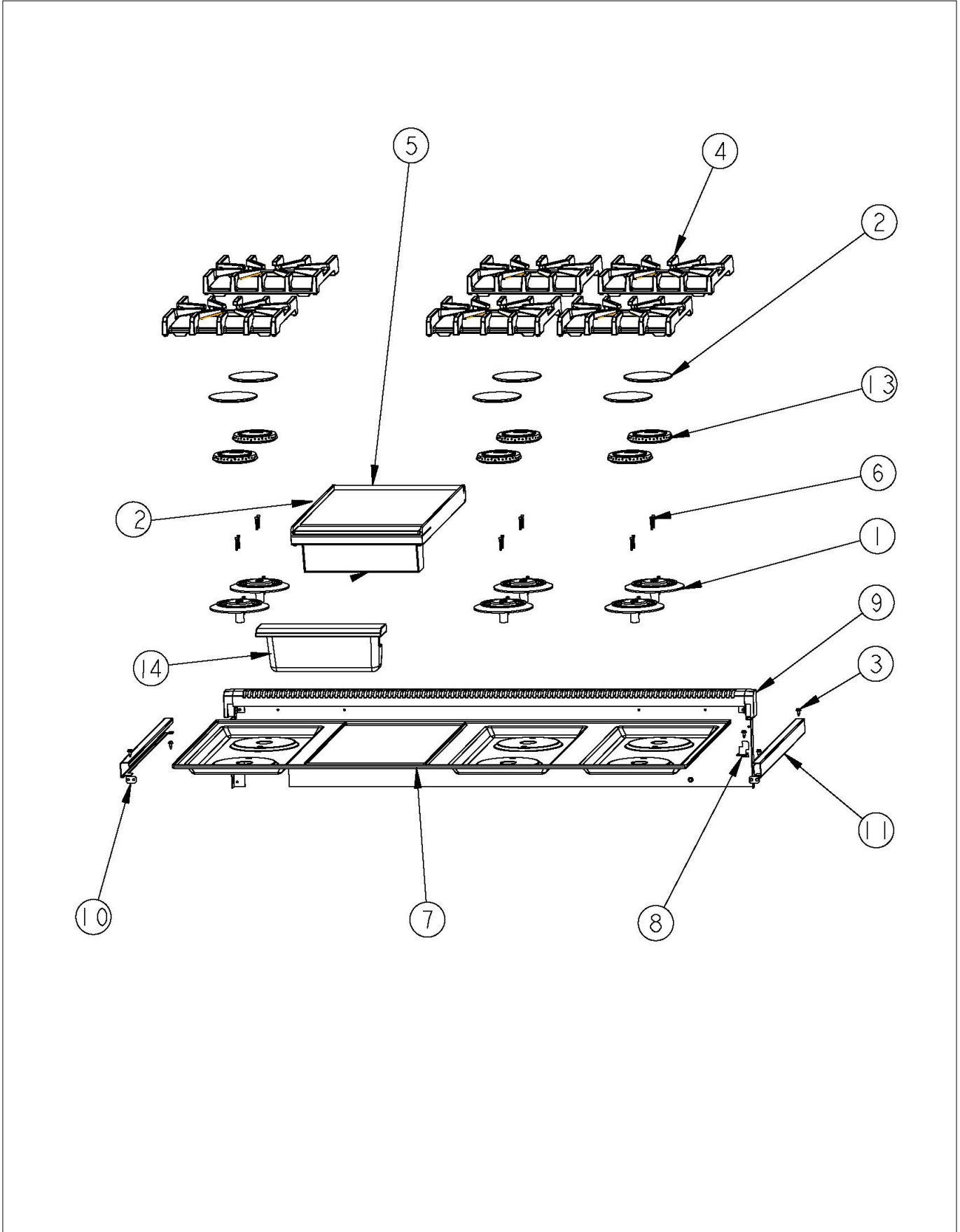


Item	Part No.	Name	Qty	Uom	NOTES
1	006760-000	GRIDDLE BOX, LH, CUSTOM RANGES	1	EA	
2	008465-000	GRIDDLE BOX ASM, CUSTOM RANGES	1	EA	
3	PB040190	90 DEGREE ORIFICE FITTING #50 NAT	1	EA	
4	008742-000	BURNER, GRIDDLE, CUSTOM	1	EA	
5	PA020028	SPARK IGNITER	1	EA	
6	006785-000	GRIDDLE, BOX, VENTURI, COVER	1	EA	
7	006780-000	GRIDDLE, BOX, BOTTOM	1	EA	Not available online / Call for pricing and availability
8	006763-000	GRIDDLE BOX, RH, CUSTOM RANGES	1	EA	
9	PE050206	RTD THERMOSTAT PROBE	1	EA	
10	001394-042	15000 BTU NAT JETHOLDER	1	EA	
10	001394-044	16.6 K BTU LP JETHOLDER	1	EA	
11	001394-041	18500 BTU NAT JETHOLDER	1	EA	
11	001394-046	12.5 K BTU LP JETHOLDER	1	EA	
12	PB020193	16" FLEX TUBING W/CONNECTORS	3	EA	
13	PB020192	10" FLEX TUBING W/CONNECTORS	3	EA	
14	007147-000	SHUT OFF VALVE	1	EA	
15	002755-000	BURNER BOX SIDE, RH	1	EA	
16	003860-000	FASTENER, SCR, HXWH, STL, ZP LT, 10-18 x .500	55	EA	
17	006313-000	VALVE, BRS, SEALED TOP	6	EA	
18	008300-000	MANIFOLD, GAS, VDSC548-6G	1	EA	
19	PA020058	IRIS SINGLE SPARK MODULE	8	EA	
20	009402-000	SOLENOID HEAT SHIELD COVER	1	EA	
21	009111-000	VALVE, SOL, SINGLE	1	EA	
22	008904-000	BURNER BOX, DSI COVER	2	EA	
Not Shown	NOTE	(BEFORE 01/05/11)		EA	
22	024398-000	COVER, ACS, DSI	1	EA	



Item	Part No.	Name	Qty	Uom	NOTES
Not Shown	NOTE	(ON OR AFTER 01/05/11)		EA	
23	PD040005	SNAP BUSHING, 7/8"	1	EA	
24	009267-000	COVER, FLAT,DSI, RAISED, 6G	1	EA	
Not Shown	NOTE	(BEFORE 01/05/11)		EA	
24	024305-000	COVER, DSI, 6G	1	EA	
Not Shown	NOTE	(ON OR AFTER 01/05/11)		EA	
25	006240-000	BURNER BOX BOTTOM,FLAT,VDSC548	1	EA	
Not Shown	NOTE	(BEFORE 01/05/11)		EA	
25	024684-000	BURNER,BOX,BOT,VDSC548T	1	EA	
Not Shown	NOTE	(ON OR AFTER 01/05/11)		EA	
26	PD010012	VALVE BOLT 1/4-20 UNC-2B 5/16" M.S.	8	EA	
27	002884-000	MANIFOLD PLUG	1	EA	
28	003481-000	BURNER BOX SIDE, LH	1	EA	
29	PA070003	PRESSURE REGULATOR (NAT.)	1	EA	
30	PD020010	10 X 3/8 GREEN GROUNDING SCREW	1	EA	
31	008461-000	SUPPORT, FRONT	1	EA	
32	008464-000	BRNR BOX,REAR,FLAT,SUPPORT,VD SC5484GQ 48"	1	EA	
33	002923-000	BURNER MODULE SUPPORT	4	EA	
34	PD020076	6-32 X 3/8" PHILL PAN MS	4	EA	
35	006783-000	GRIDDLE BRKT, ORIFICE, CUSTOM RANGES	1	EA	
NI	013408-000	GRIDDLE HEADER	1	EA	

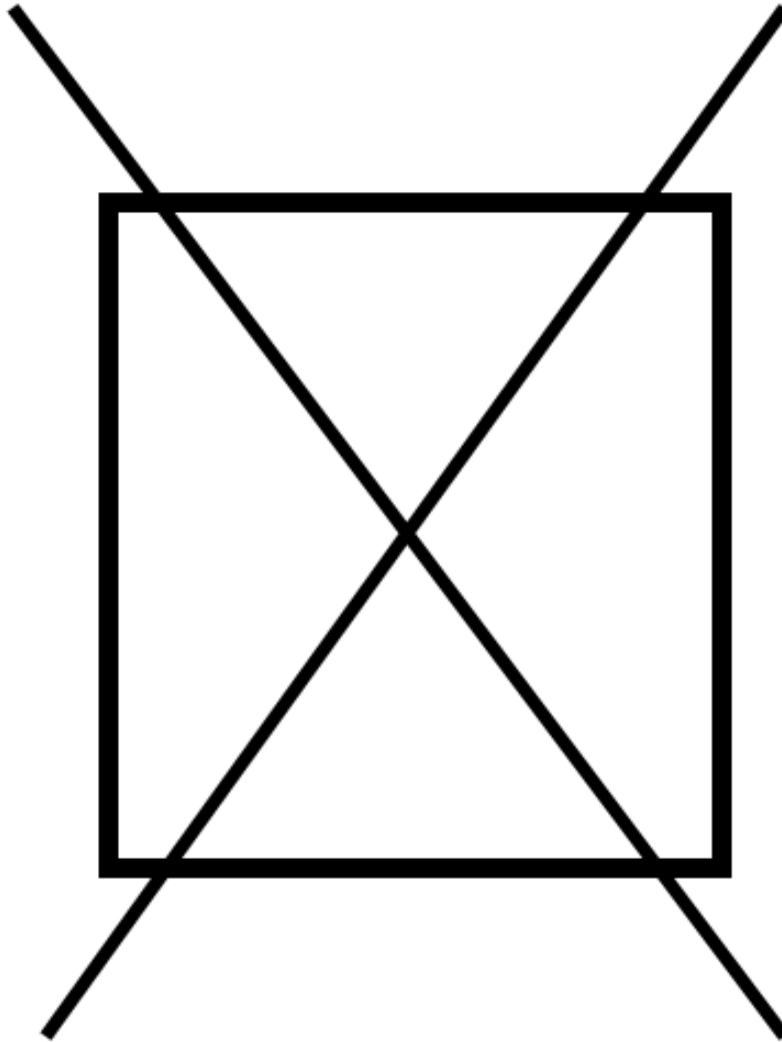
BURNER SURFACE





Item	Part No.	Name	Qty	Uom	NOTES
1	003322-041	SEALED BURNER BASE, PAINTED FINISH- GRAY	6	EA	
2	PA080083	D BURNER CAP *MATTE BLACK*	6	EA	
3	003860-000	FASTENER,SCR,HXWH,STL,ZP LT,10-18 x .500	6	EA	
4	007323-000	BURNER GRATE	6	EA	
Not Shown	NOTE	(BEFORE 11/21/14)		EA	
4	049420-000	GRATE, BURNER, ASM	6	EA	
Not Shown	NOTE	(ON OR AFTER 11/21/14)		EA	
NI	PD040075	RUBBER FOOT	24	EA	
Not Shown	NOTE	(BEFORE 11/21/14)		EA	
NI	049416-000	BUMPER, GRATE	24	EA	
Not Shown	NOTE	(ON OR AFTER 11/21/14)		EA	
5	026397-000	GRIDDLE/TROUGH SVC KIT	1	EA	
6	009197-000	#6-32 X 5/8 18-8 SS NC SOC CAP	12	EA	
7	E9109801BK	48" SEALED COOKTOP 6BG & 6BQ *BK*	1	EA	
8	004021-000	SUPPORT,TRIM,SIDE	1	EA	
9	041509-000	TRIM, IS, ASSY, 48"	1	EA	
10	003649-000	TOP TRIM RING, LH	1	EA	
11	002920-000	TOP TRIM RING, RH	1	EA	
12	023451-000	TROUGH, ASM	1	EA	
13	018200-000	ADJUSTED SEALED BURNER HEAD	6	EA	
14	023451-000	TROUGH, ASM	1	EA	

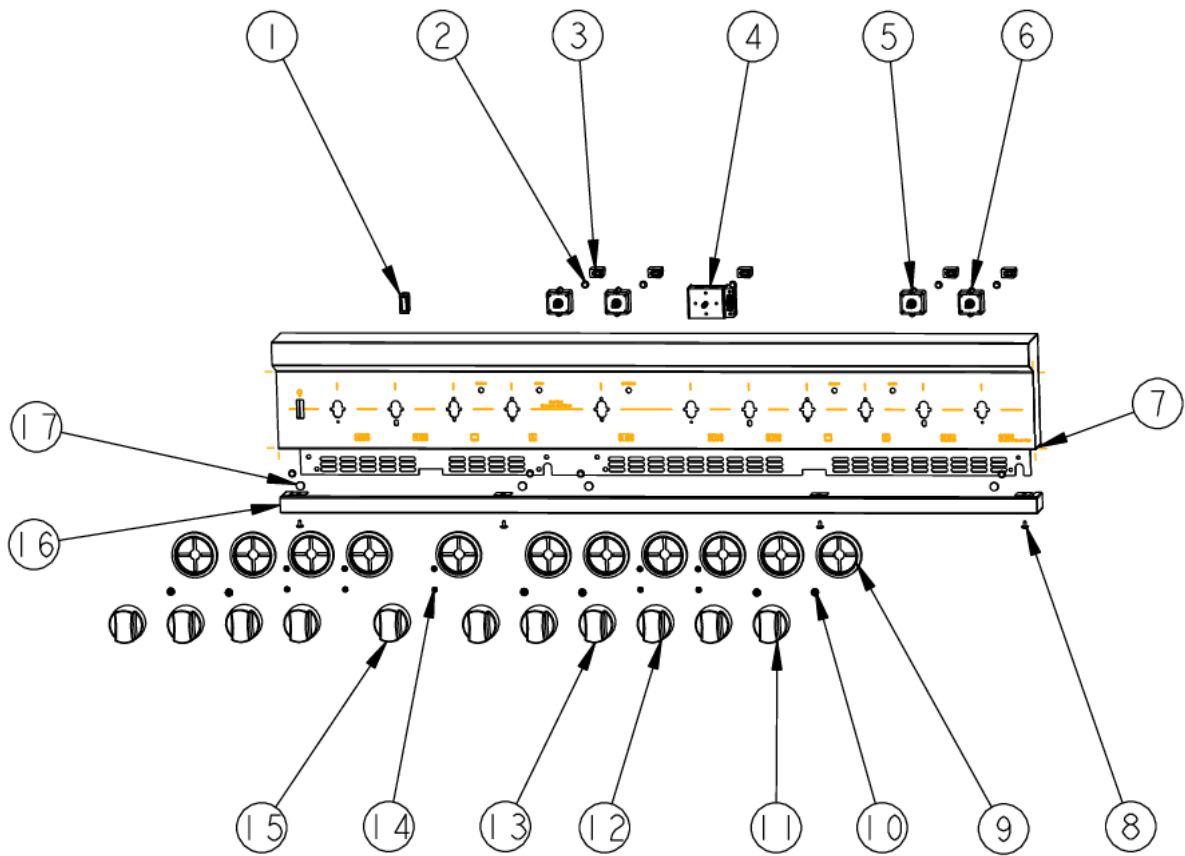
NON
ILLUSTRATED PART





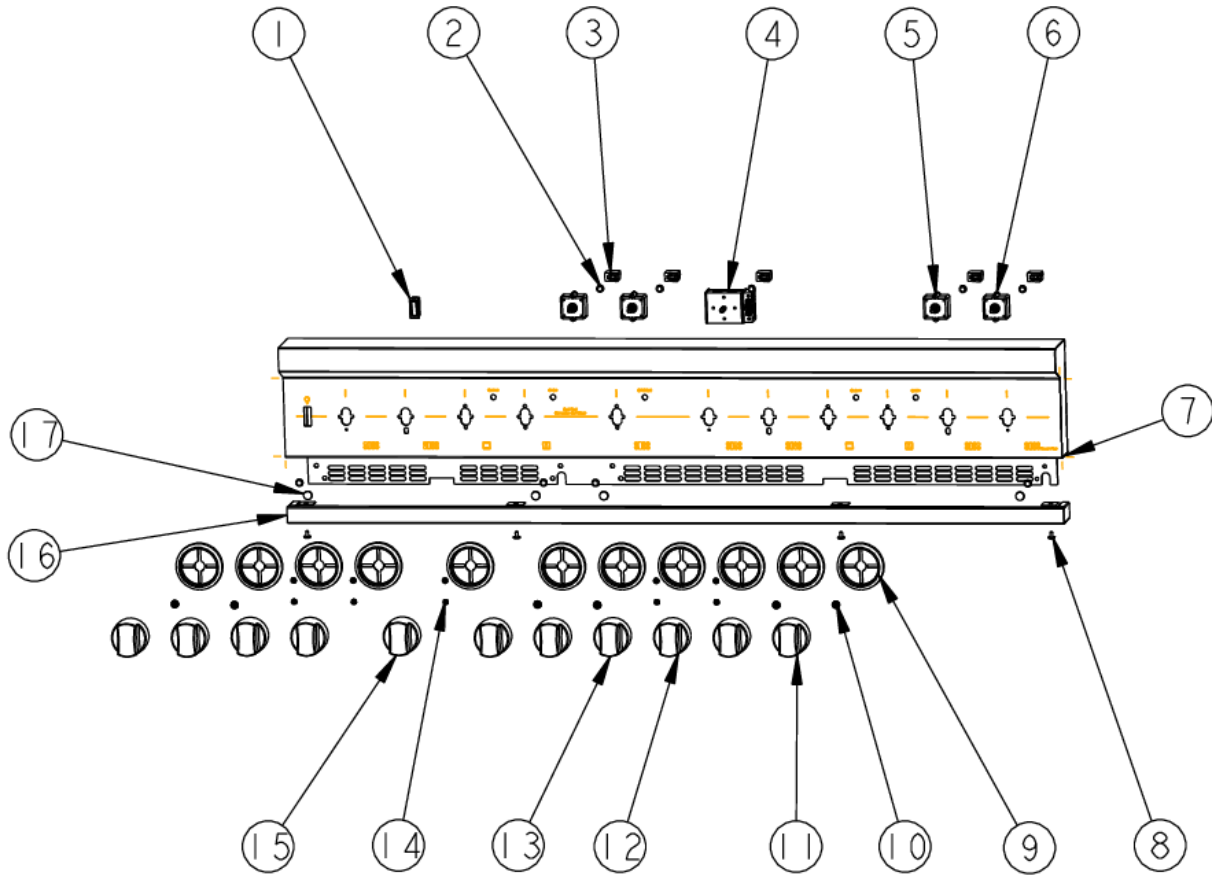
Item	Part No.	Name	Qty	Uom	NOTES
NI	011729-000	EOC COMM. HARNESS	1	EA	

CONTROL PANEL





Item	Part No.	Name	Qty	Uom	NOTES
1	003719-000	OVEN LIGHT SWITCH, BLACK	1	EA	
2	PE050023	OVEN IND. LIGHT (LENS & BEZEL)	5	EA	
Not Shown	NOTE	(BEFORE 7/29/10)		EA	
NI	021336-000	INDICATOR, LT, RED, CHROME BEZEL, LED	5	EA	
Not Shown	NOTE	(7/29/10 - 7/12/11)		EA	
NI	015043-000	INDICATOR, LIGHT, BLUE LED	5	EA	
Not Shown	NOTE	(ON OR AFTER 7/13/11)		EA	
3	PE050072	LENS OPENING	5	EA	
Not Shown	NOTE	(BEFORE 7/29/10)		EA	
NI	021336-000	INDICATOR, LT, RED, CHROME BEZEL, LED	5	EA	
Not Shown	NOTE	(7/29/10 - 7/12/11)		EA	
NI	015043-000	INDICATOR, LIGHT, BLUE LED	5	EA	
Not Shown	NOTE	(ON OR AFTER 7/13/11)		EA	
4	013213-000	TSTAT, SMPS, ELEC, 2-POS, .91" SHAFT, CB	5	EA	
5	PJ030033	SELECTOR (10 POS)	2	EA	
6	PJ030035	THERMOSTAT	2	EA	
<p>Comments for Part Num. PJ030035</p> <p>parts@lvdistributes.com on Feb 7, 2018 this is not the correct part for this range it should be a 003225-000 Reply by JREXEC02@AOL.COM on Feb 27, 2018 003225-000 is an Induction Control.</p> <p>PJ030035 is the red colored thermostat for the Gas Range *****</p>					
7	042170-2114	PNL, CTRL, ASM, VDSC548-6G W/GRAPHICS	1	EA	
8	PD020032	SRW-8(A)X3/8"PH.WFR HD 7/16DIA*NICL	4	EA	
9	050172-000	KNOB BEZEL	12	EA	





Item	Part No.	Name	Qty	Uom	NOTES
10	PD020046	NO.8 X 1/2 SCREW	8	EA	
11	005269-000	RANGE TOP BURNER KNOB-BRUSHED, SSS	6	EA	
Not Shown	NOTE	BEFORE 12/20/12		EA	
11	035881-000	KNOB, BNR, TOP PRO CR3	6	EA	
Not Shown	NOTE	AFTER 12/20/12		EA	
12	005270-000	RANGE THERMOSTAT KNOB-BRUSHED, SSS	2	EA	
Not Shown	NOTE	BEFORE 12/20/12		EA	
12	035893-000	KNOB,OVN,TSTAT, PRO VDSC/VESC CR3	2	EA	
Not Shown	NOTE	AFTER 12/20/12		EA	
13	005271-000	RANGE SELECTOR KNOB-BRUSHED, SSS	2	EA	
Not Shown	NOTE	BEFORE 12/20/12		EA	
13	035895-000	KNOB,OVN,SEL, PRO VDSC/VESC CR3	2	EA	
Not Shown	NOTE	AFTER 12/20/12		EA	
14	PD020062	#8-32 X 3/8 PHMS TYPE 1	8	EA	
15	006570-000	KNOB, GRDL/(LH OVEN), ASM, PVD, #3, SSS	2	EA	

Comments for Part Num. 006570-000

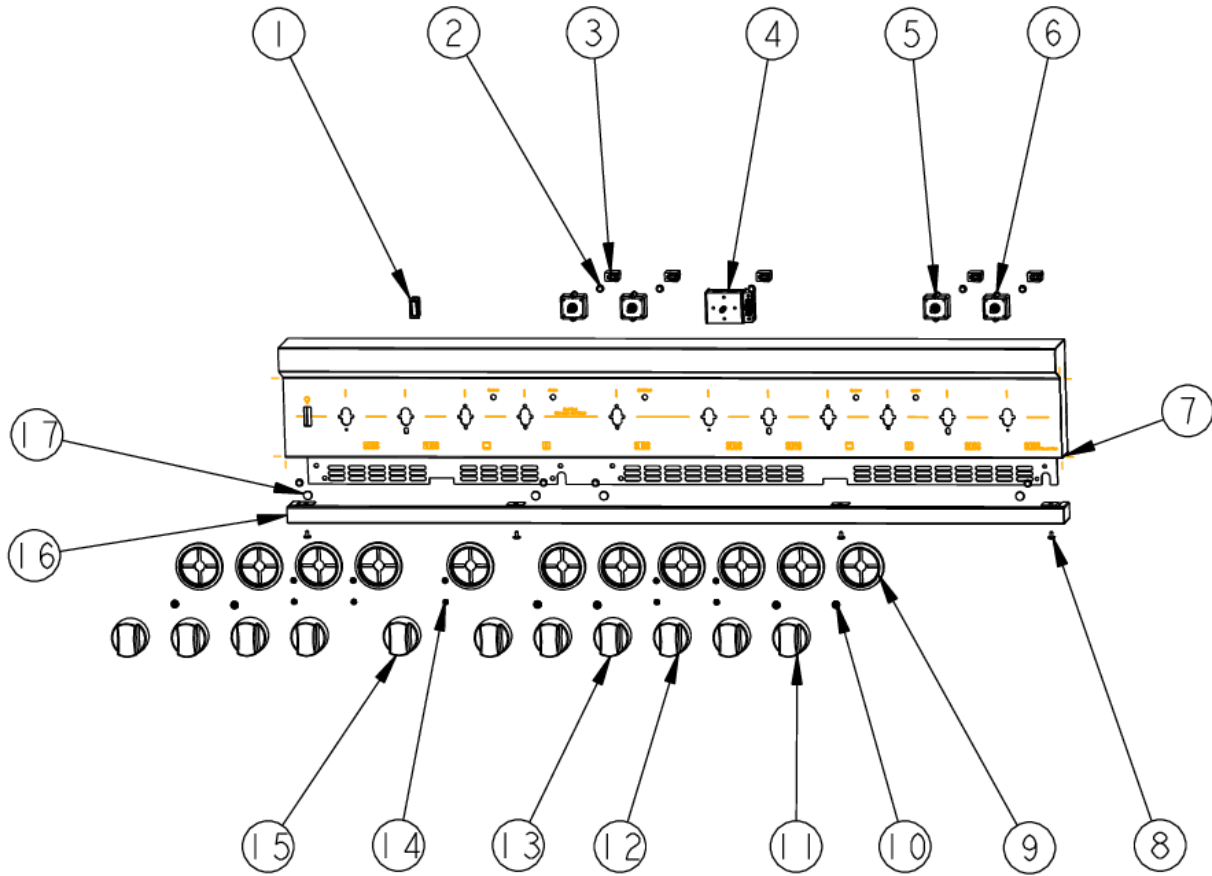
bradleysapplianceservice@shaw.ca on Aug 25, 2015

006570-000 Griddle Knob Satin Stainless Steel (SSS) - Serial Break: Before 12/20/12

035883-000 Griddle Knob Stainless Steel (SS) - Serial Break After 12/20/12

If stainless steel (SS) is required: Use part number 035883-000 Griddle Knob

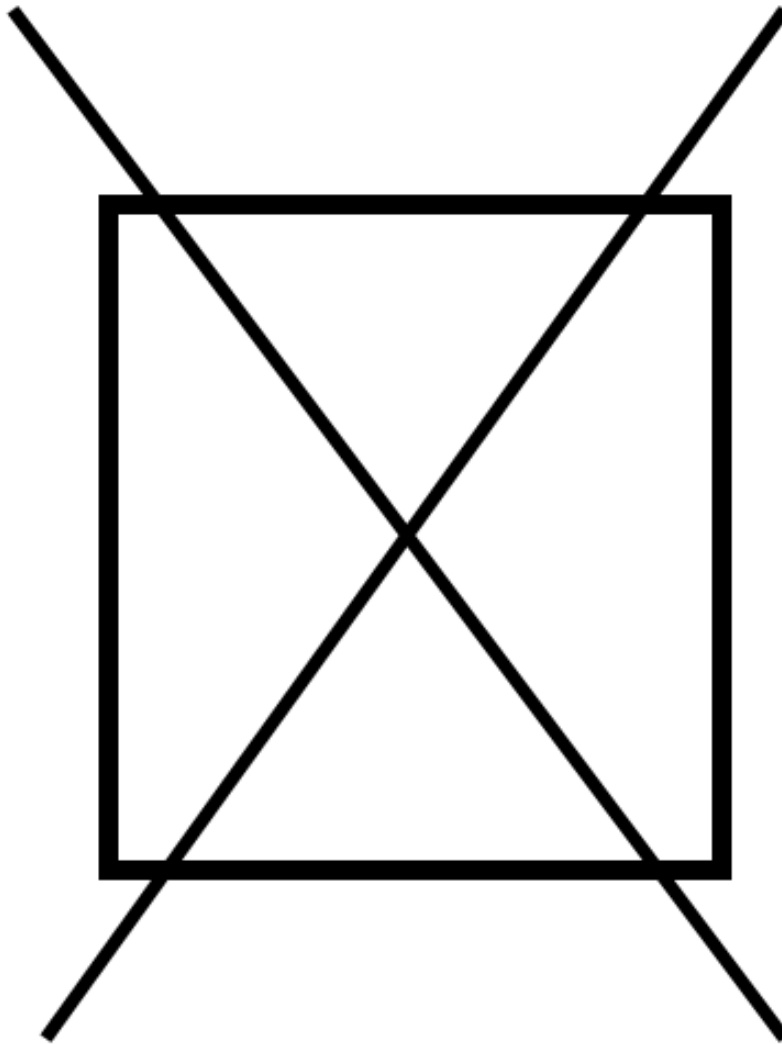
Not Shown	NOTE	BEFORE 12/20/12		EA	
15	035883-000	KNOB,GRDL,PRO CR3	1	EA	
Not Shown	NOTE	AFTER 12/20/12		EA	
16	006424-000	HANDLE, DRIP, ASM, SST, VDSC548	1	EA	





Item	Part No.	Name	Qty	Uom	NOTES
17	PD040004	GROMMET BUMPER	4	EA	
NI	035895-000	KNOB,OVN,SEL, PRO VDSC/VESC CR3	1	EA	
Not Shown	NOTE	AFTER 12/20/12		EA	
NI	035898-000	KNOB,OVN,SEL, LH PRO VDSC/VESC CR3	1	EA	
Not Shown	NOTE	AFTER 12/20/12		EA	

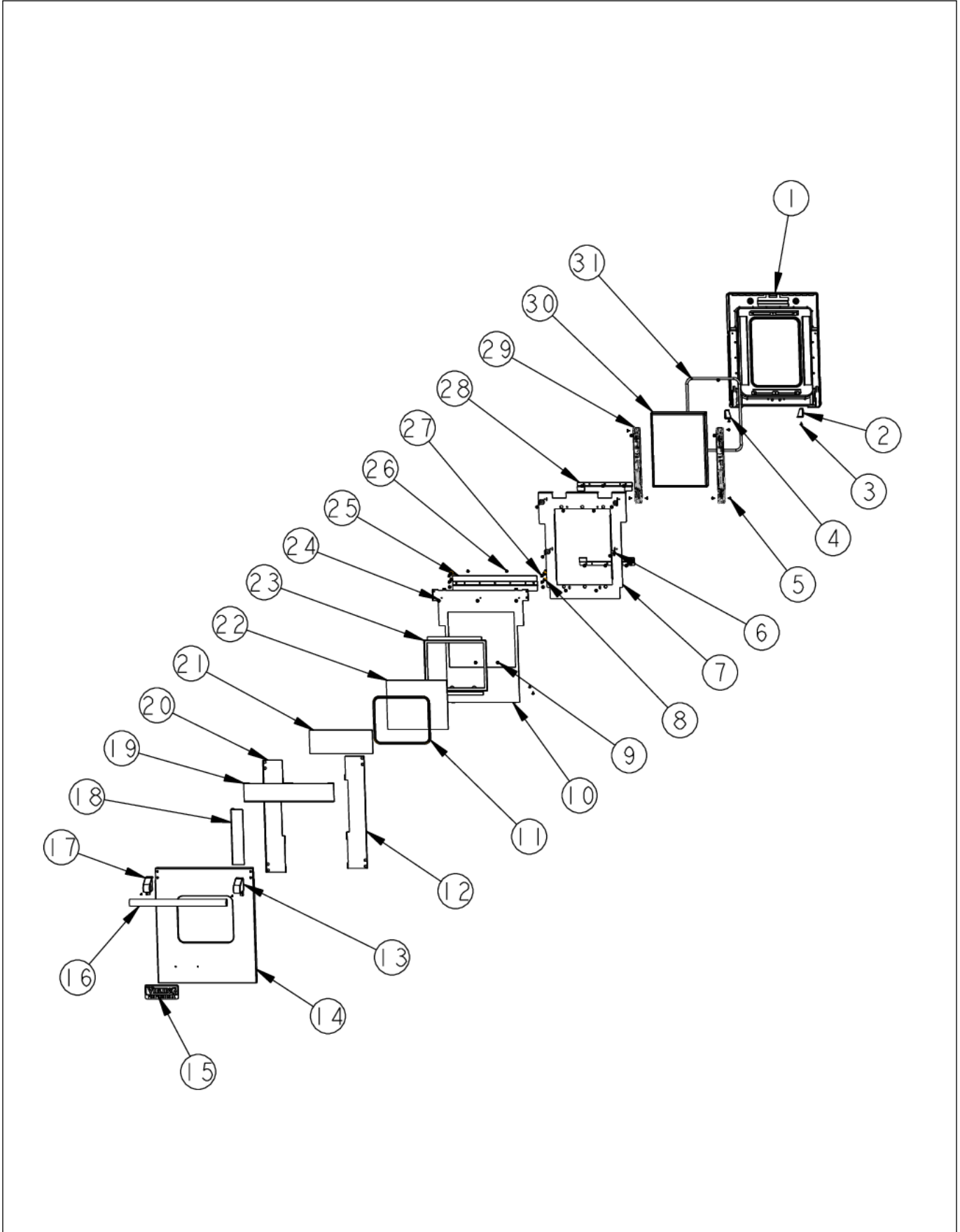
NON ILLUSTRATED PART



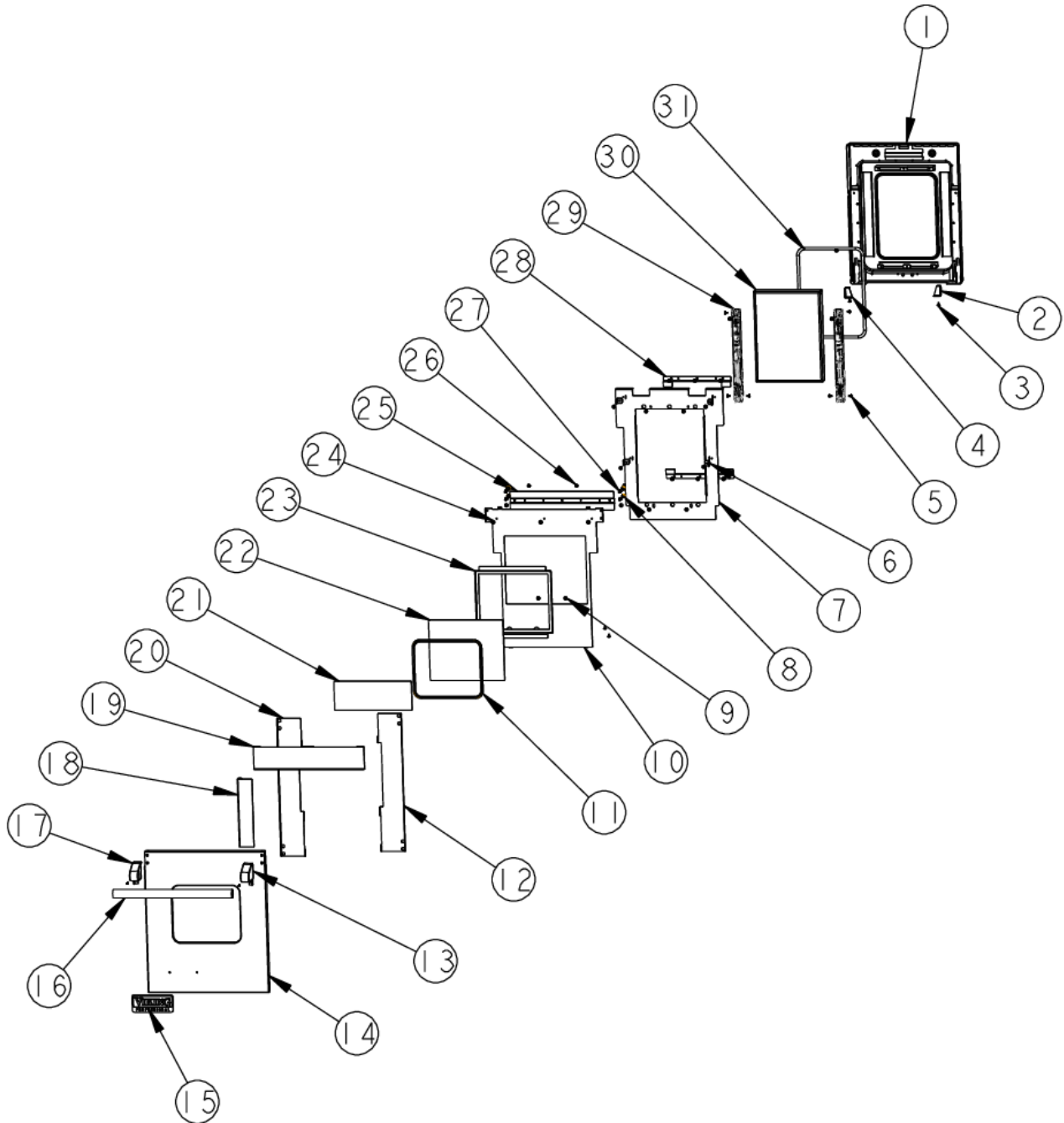


Item	Part No.	Name	Qty	Uom	NOTES
NI	004133-000	CONTROL PANEL HARNESS	1	EA	
Not Shown	NOTE	(BEFORE 7/29/10)		EA	
NI	020019-000	HARNESS, WRG, CONTROL	1	EA	
Not Shown	NOTE	(ON OR AFTER 7/29/10)		EA	

DOOR ASSY LT

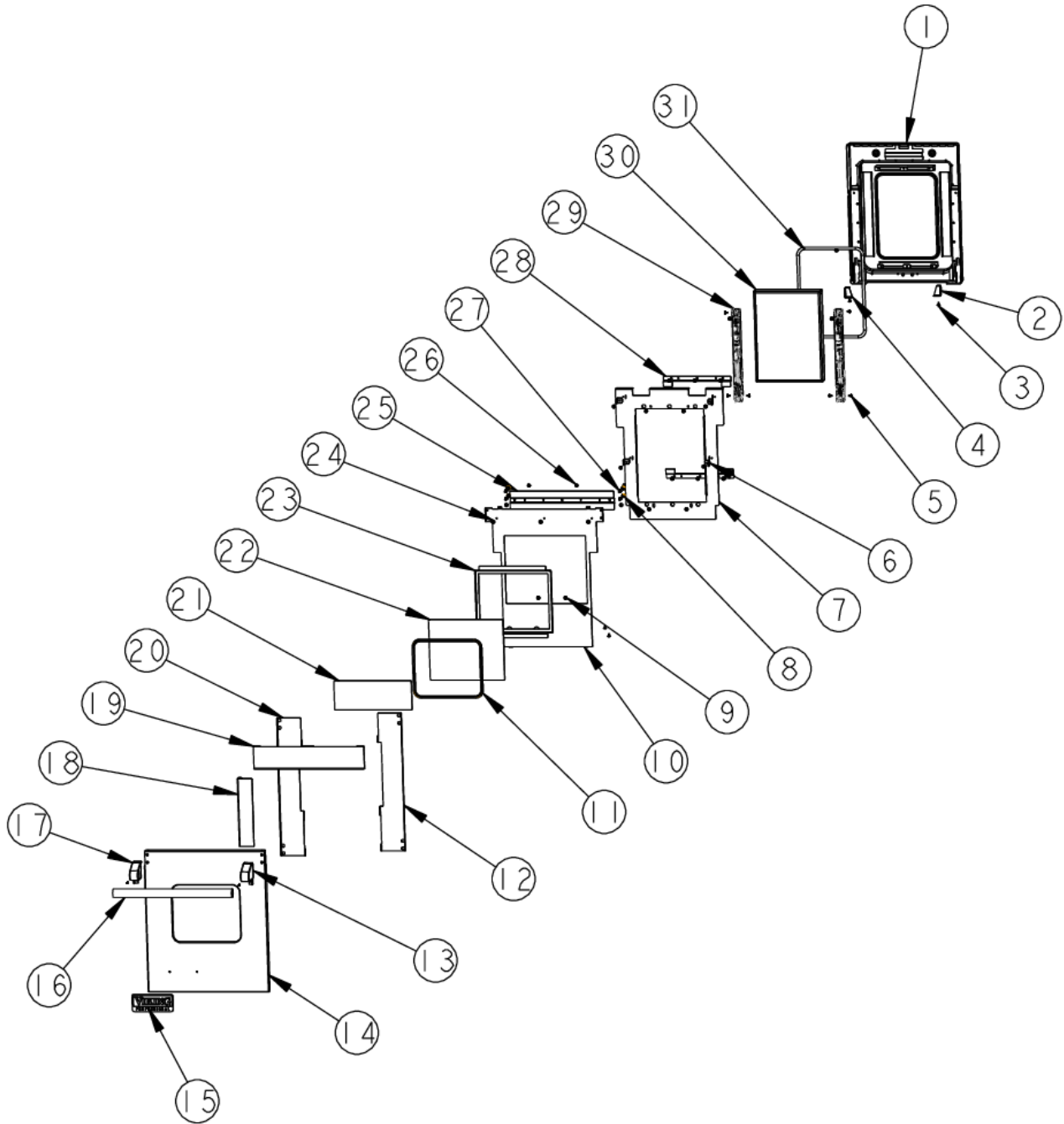


Item	Part No.	Name	Qty	Uom	NOTES
1	002709-000	DOOR LINER WELDED ASM, VDSC18	1	EA	
Not Shown	NOTE	(BEFORE 12/20/12)		EA	
1	002709-402	LINER, DOOR, WLD, ASSY 18" BK	1	EA	
Not Shown	NOTE	(ON OR AFTER 12/20/12)		EA	
2	006807-000	HINGE, BRACKET, RH	1	EA	
3	PD020032	SRW-8(A)X3/8"PH.WFR HD 7/16DIA*NICL	6	EA	
4	006808-000	HINGE, BRACKET, LH	1	EA	
5	PD020063	SCREW-#8(A) X 3/8"PH WFR HD/BK OXID	23	EA	
6	009426-000	STANDOFF, BRACKET, DOOR, LINER, VDSC18"	4	EA	
7	006209-000	DOOR LINER INSULATION RETAINER, 18"	1	EA	
8	004907-000	STEEL FINISHING PLUG, NICKEL PLTD 25/64" HOLE	4	EA	
9	PD030006	CAPPED WASHER PAL NUT	2	EA	
10	006223-000	PANEL, INSL, ASM, DOOR	1	EA	
11	NOT FIELD REPLACEABLE	DOOR, SKIN, J-MOLD	1	EA	
Not Shown	NOTE	(MUST ORDER ITEM #14)		EA	
12	009427-000	BRACKET, DOOR, LH	1	EA	
13	003012-000	DOOR HANDLE ENDCAP ASSY, RH (CHROME)	1	EA	
13	003012-100	DOOR HANDLE ENDCAP ASSY, RH (BRASS) - NLA	1	EA	
14	006213-000	DOOR SKIN, 18" STAINLESS	1	EA	
14	021308-002	LH DOOR SKIN SRV ASM - BK	1	EA	
14	021308-003	LH DOOR SKIN SRV ASM - BT	1	EA	
14	021308-004	LH DOOR SKIN SRV ASM - SG	1	EA	
14	021308-005	LH DOOR SKIN SRV ASM - GG	1	EA	
14	021308-006	LH DOOR SKIN SRV ASM - WH	1	EA	
14	021308-008	LH DOOR SKIN SRV ASM - BU	1	EA	
14	021308-009	LH DOOR SKIN SRV ASM - LE	1	EA	

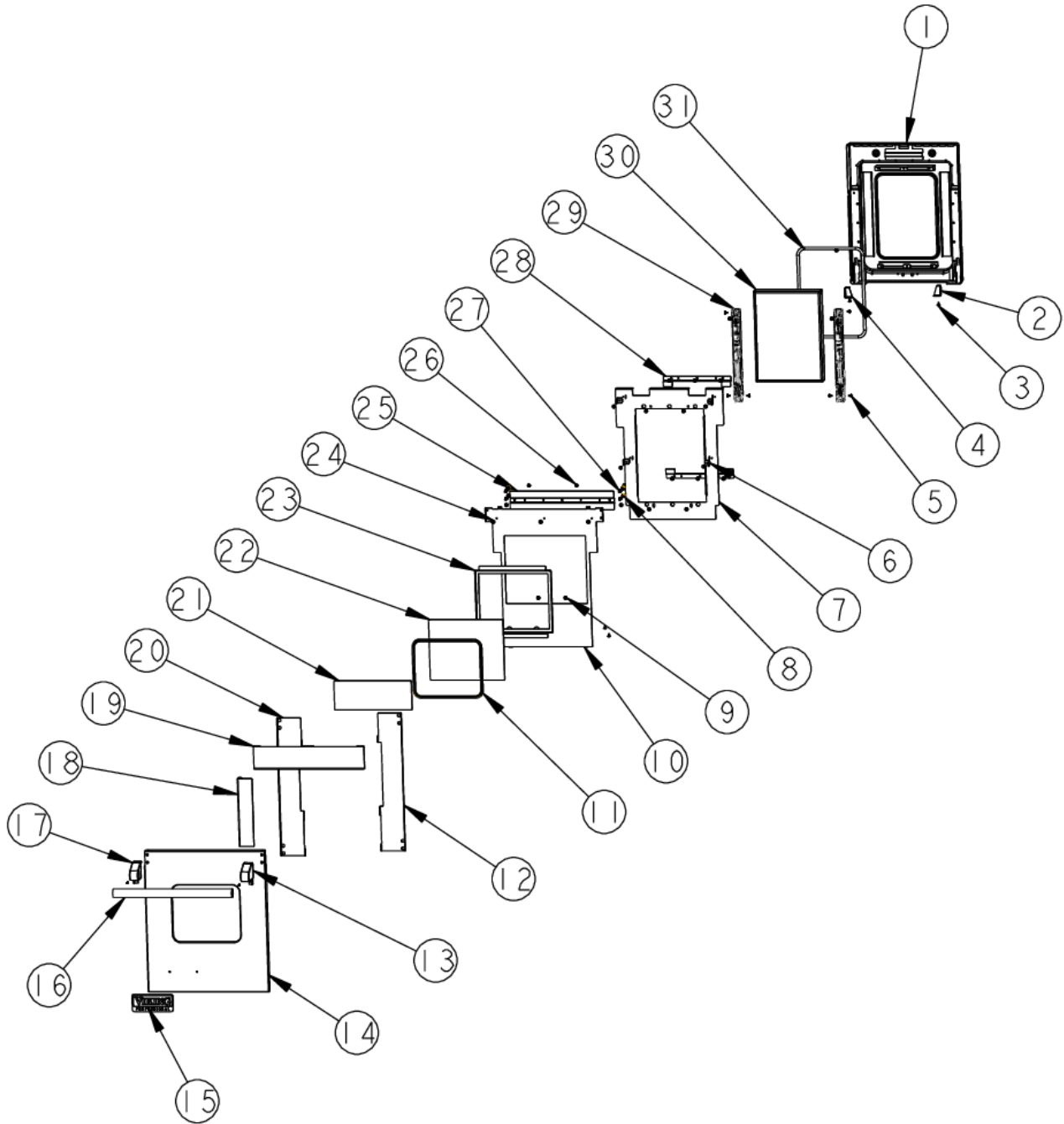




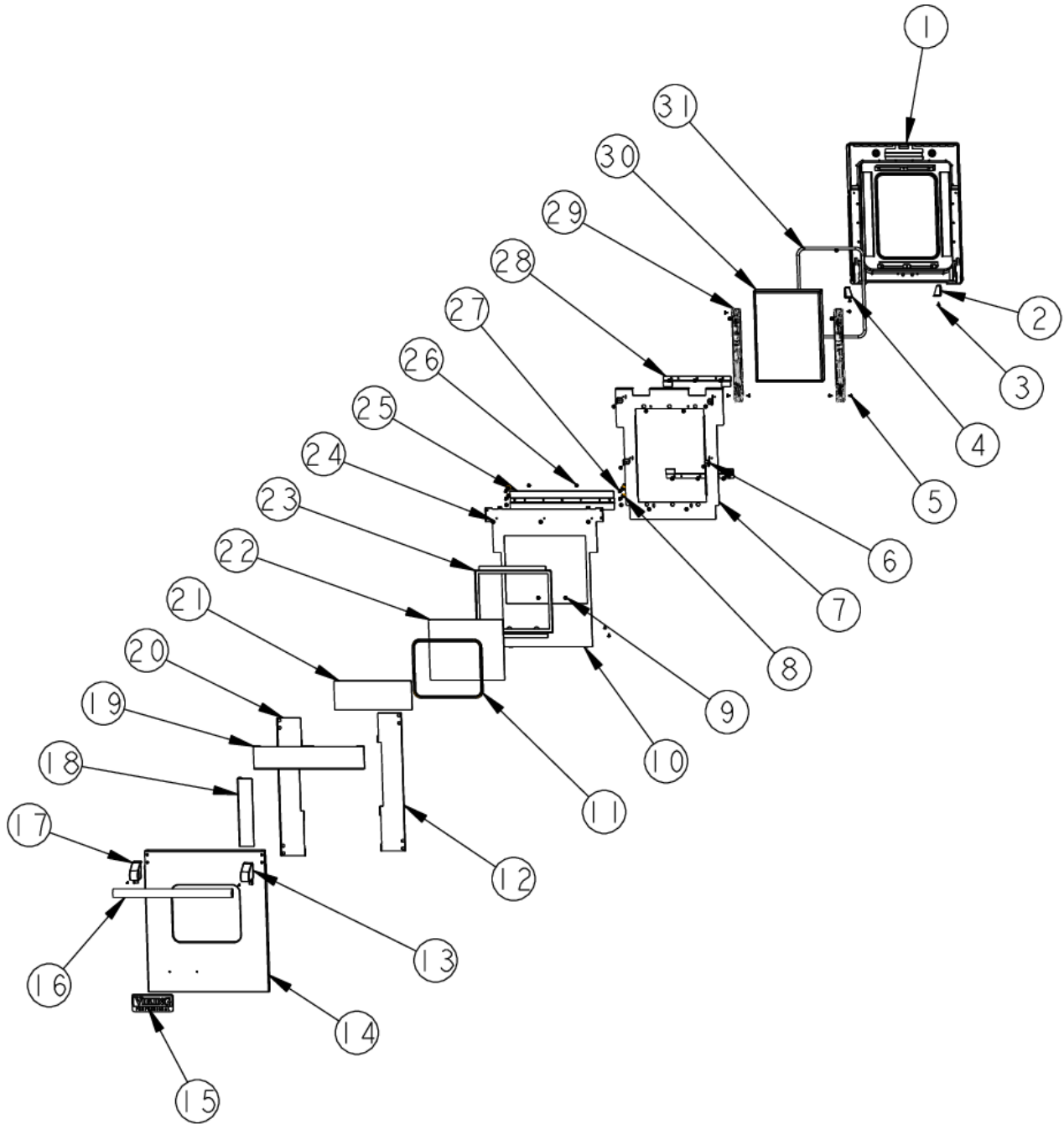
Item	Part No.	Name	Qty	Uom	NOTES
14	021308-010	LH DOOR SKIN SRV ASM - MJ	1	EA	Not available online / Call for pricing and availability
14	021308-012	LH DOOR SKIN SRV ASM - VB	1	EA	
14	021308-013	LH DOOR SKIN SRV ASM - CB	1	EA	
14	021308-015	LH DOOR SKIN SRV ASM - PL	1	EA	
14	021308-016	LH DOOR SKIN SRV ASM - CH	1	EA	
14	021308-017	LH DOOR SKIN SRV ASM - TP	1	EA	
14	021308-018	LH DOOR SKIN SRV ASM - CW NLA	1	EA	
14	021308-019	LH DOOR SKIN SRV ASM - OG	1	EA	
14	021308-020	LH DOOR SKIN SRV ASM - GM	1	EA	
14	021308-021	LH DOOR SKIN SRV ASM - SA	1	EA	
14	021308-022	LH DOOR SKIN SRV ASM - SE	1	EA	
14	021308-023	LH DOOR SKIN SRV ASM - IB	1	EA	
14	021308-024	LH DOOR SKIN SRV ASM - AR	1	EA	
14	021308-025	LH DOOR SKIN SRV ASM - RR	1	EA	
14	021308-026	LH DOOR SKIN SRV ASM - PM	1	EA	Not available online / Call for pricing and availability
14	021308-027	LH DOOR SKIN SRV ASM - MS	1	EA	
15	PE010030	LOGO	1	EA	
16	006221-000	18" DOOR HANDLE, SST	1	EA	
17	003011-000	DOOR HANDLE ENDCAP ASSY, LH (CHROME)	1	EA	
17	003011-100	DOOR HANDLE ENDCAP ASSY, LH (BRASS)	1	EA	
18	011178-000	DOOR, SINK, LH, AL	1	EA	
19	006219-000	DOOR, SINK, AL	1	EA	
20	009428-000	BRACKET, DOOR, RH	1	EA	
21	006220-000	INSULATION, DOOR, SKIN, TOP, VDSC18"	1	EA	
22	NOT FIELD REPLACEABLE	DOOR, GL, OTR	1	EA	
Not Shown	NOTE	(MUST ORDER ITEM #14)		EA	



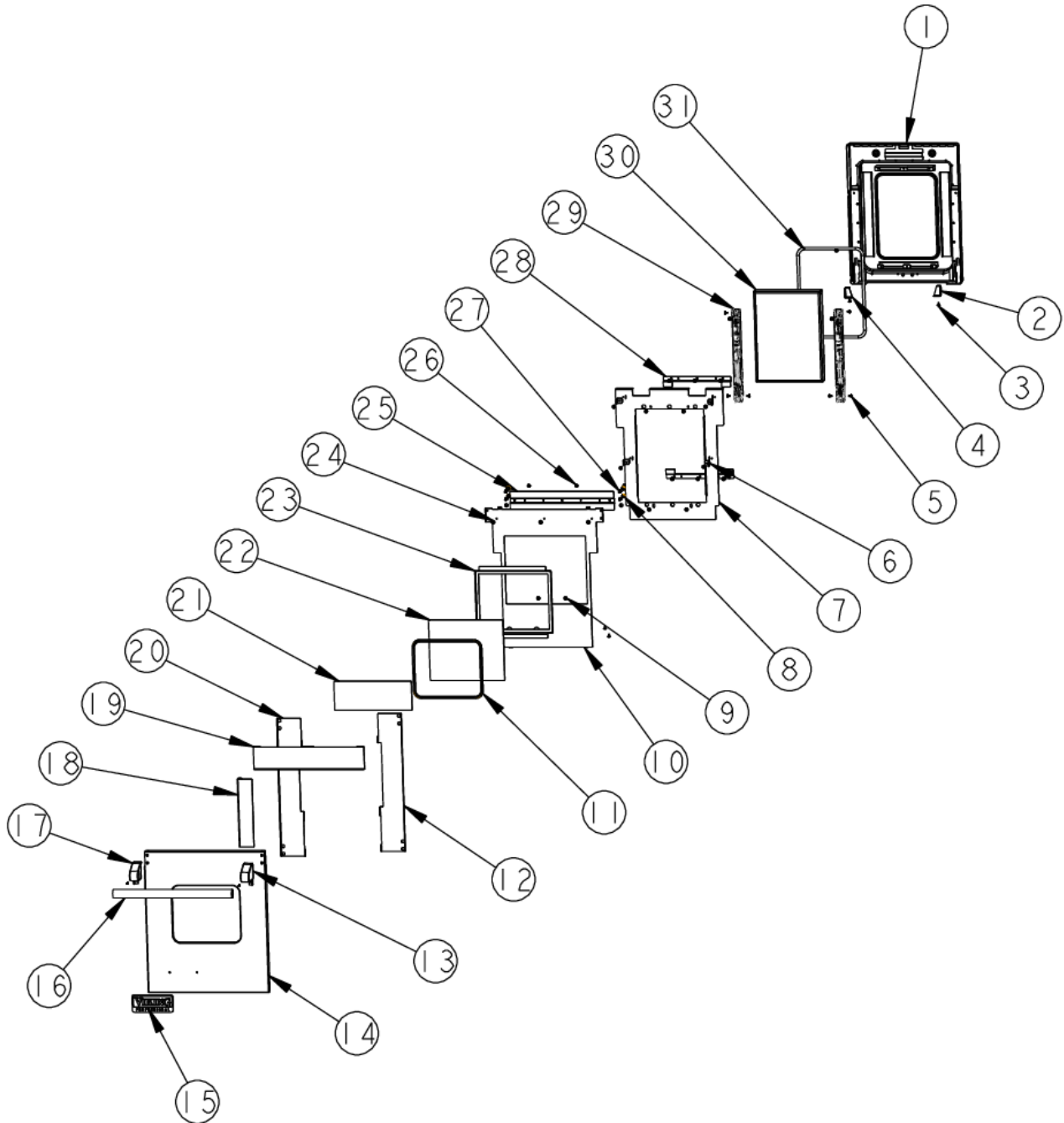
Item	Part No.	Name	Qty	Uom	NOTES
23	NOT FIELD REPLACEABLE	BRACKET, GL, OTR, AL, DOOR	1	EA	
Not Shown	NOTE	(MUST ORDER ITEM #14)		EA	
24	PD020033	SRW-NO.10- 24X1/2T(23)PH.WFR HD (NKL)	2	EA	
25	006225-000	BRACKET, DOOR, ASM	1	EA	
26	PD030010	#10-24 KEPS NUT ZINC PLATED	3	EA	
27	030823-000	#10-32 PAN HEAD PHILLIPS MACHINE SCREW	4	EA	
28	006207-000	DOOR GLASS HOLDER BRACKET, 18 DOOR	2	EA	
29	008276-000	HINGE, DOOR	2	EA	
30	005300-000	GLASS, WINDOW PACK, 18"	1	EA	
31	000594-000	BLACK FIBERGLASS ROPE 3/8	1	EA	
NI	006997-000	DOOR GASKET, 18	1	EA	
NI	006226-000	SKIN, DOOR, ASM - SS	1	EA	
NI	006226-100	SKIN, DOOR, ASM - BR, SS	1	EA	Not available online / Call for pricing and availability
NI	013358-002	DOOR, SKIN, ASM - BK	1	EA	
NI	013358-102	DOOR, SKIN, ASM - BR, BK	1	EA	
NI	013358-003	DOOR, SKIN, ASM - BT	1	EA	
NI	013358-103	DOOR, SKIN, ASM - BR, BT	1	EA	
NI	013358-004	DOOR, SKIN, ASM - SG	1	EA	
NI	013358-104	DOOR, SKIN, ASM - BR, SG	1	EA	
NI	013358-005	DOOR, SKIN, ASM - GG	1	EA	
NI	013358-105	DOOR, SKIN, ASM - BR, GG	1	EA	
NI	013358-006	DOOR, SKIN, ASM - WH	1	EA	
NI	013358-106	DOOR, SKIN, ASM - BR, WH	1	EA	
NI	013358-007	DOOR, SKIN, ASM - AL	1	EA	
NI	013358-107	DOOR, SKIN, ASM - BR, AL	1	EA	
NI	013358-008	DOOR, SKIN, ASM - BU	1	EA	
NI	013358-108	DOOR, SKIN, ASM - BR, BU	1	EA	
NI	013358-009	DOOR, SKIN, ASM - LE	1	EA	



Item	Part No.	Name	Qty	Uom	NOTES
NI	013358-109	DOOR, SKIN, ASM - BR, LE	1	EA	
NI	013358-010	DOOR, SKIN, ASM - MJ	1	EA	
NI	013358-110	DOOR, SKIN, ASM - BR, MJ	1	EA	
NI	013358-011	DOOR, SKIN, ASM - FG	1	EA	
NI	013358-111	DOOR, SKIN, ASM - BR, FG	1	EA	
NI	013358-012	DOOR, SKIN, ASM - VB	1	EA	
NI	013358-112	DOOR, SKIN, ASM - BR, VB	1	EA	
NI	013358-013	DOOR, SKIN, ASM - CB	1	EA	
NI	013358-113	DOOR, SKIN, ASM - BR, CB	1	EA	
NI	013358-014	DOOR, SKIN, ASM - EP	1	EA	
NI	013358-114	DOOR, SKIN, ASM - BR, EP	1	EA	
NI	013358-015	DOOR, SKIN, ASM - PL	1	EA	
NI	013358-115	DOOR, SKIN, ASM - BR, PL	1	EA	
NI	013358-016	DOOR, SKIN, ASM - CH	1	EA	
NI	013358-116	DOOR, SKIN, ASM - BR, CH	1	EA	
NI	013358-017	DOOR, SKIN, ASM - TP	1	EA	
NI	013358-117	DOOR, SKIN, ASM - BR, TP	1	EA	
NI	013358-018	DOOR, SKIN, ASM - CW NLA	1	EA	
NI	013358-118	DOOR, SKIN, ASM - BR, CW	1	EA	
NI	013358-019	DOOR, SKIN, ASM - OG	1	EA	
NI	013358-119	DOOR, SKIN, ASM - BR, OG	1	EA	
NI	013358-020	DOOR, SKIN, ASM - GM	1	EA	
NI	013358-120	DOOR, SKIN, ASM - BR, GM	1	EA	
NI	013358-021	DOOR, SKIN, ASM - SA	1	EA	
NI	013358-121	DOOR, SKIN, ASM - BR, SA	1	EA	
NI	013358-022	DOOR, SKIN, ASM - SE	1	EA	
NI	013358-122	DOOR, SKIN, ASM - BR, SE	1	EA	
NI	013358-023	DOOR, SKIN, ASM - IB	1	EA	
NI	013358-123	DOOR, SKIN, ASM - BR, IB	1	EA	
NI	013358-024	DOOR, SKIN, ASM - AR	1	EA	
NI	013358-124	DOOR, SKIN, ASM - BR, AR	1	EA	
NI	013358-025	DOOR, SKIN, ASM - RR	1	EA	
NI	013358-125	DOOR, SKIN, ASM - BR, RR	1	EA	



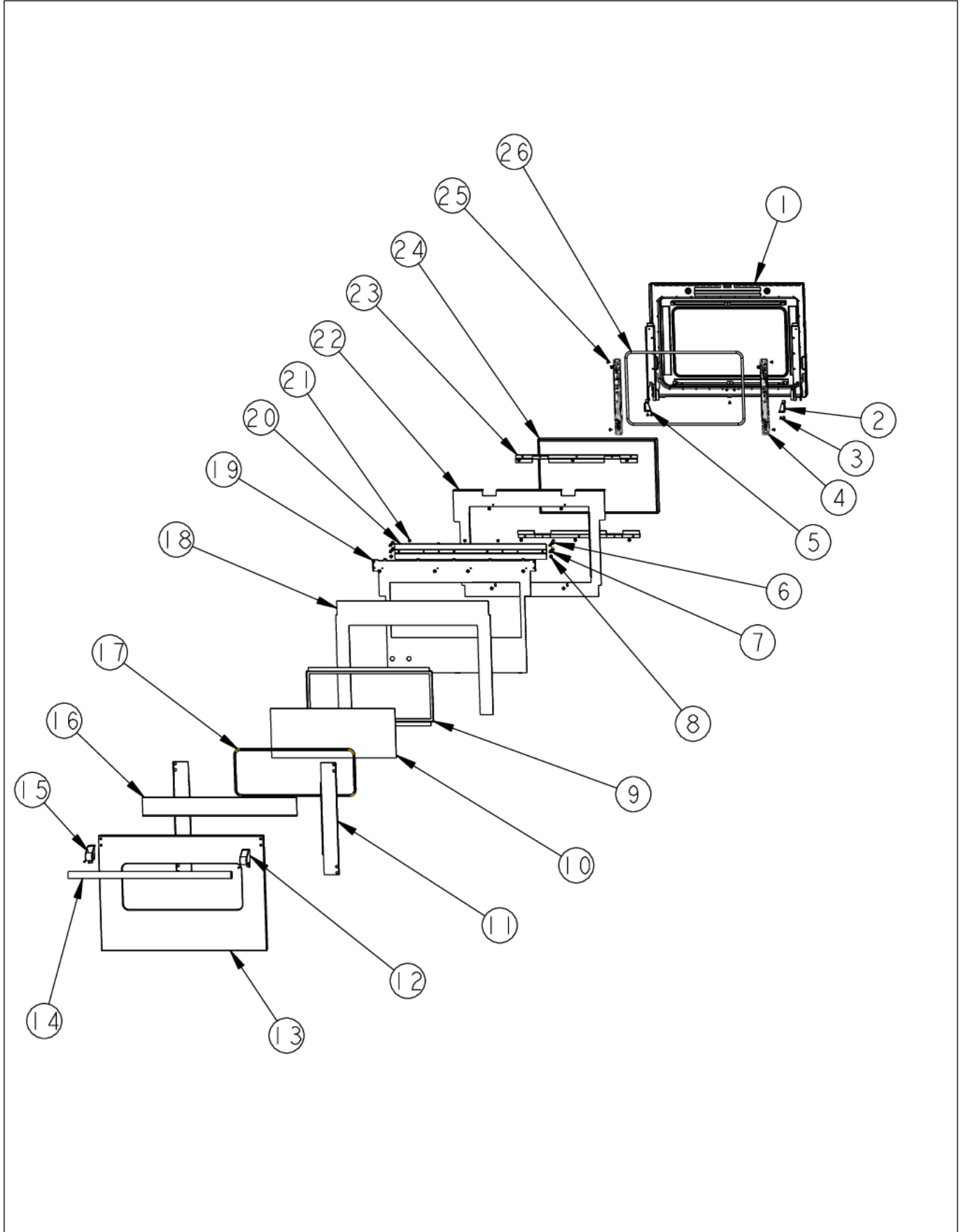
Item	Part No.	Name	Qty	Uom	NOTES
NI	013358-026	DOOR, SKIN, ASM - PM	1	EA	
NI	013358-126	DOOR, SKIN, ASM - BR, PM	1	EA	
NI	013358-027	DOOR, SKIN, ASM - MS	1	EA	
NI	013358-127	DOOR, SKIN, ASM - BR, MS	1	EA	
NI	006227-000	DOOR, ASM - SS	1	EA	
NI	006227-100	DOOR, ASM - BR, SS	1	EA	
NI	013357-002	DOOR, ASM - BK	1	EA	Not available online / Call for pricing and availability
NI	013357-102	DOOR, ASM - BR, BK	1	EA	
NI	013357-003	DOOR, ASM - BT	1	EA	
NI	013357-103	DOOR, ASM - BR, BT	1	EA	
NI	013357-004	DOOR, ASM - SG	1	EA	
NI	013357-104	DOOR, ASM - BR, SG	1	EA	
NI	013357-005	DOOR, ASM - GG	1	EA	
NI	013357-105	DOOR, ASM - BR, GG	1	EA	
NI	013357-006	DOOR, ASM - WH	1	EA	
NI	013357-106	DOOR, ASM - BR, WH	1	EA	
NI	013357-007	DOOR, ASM - AL	1	EA	
NI	013357-107	DOOR, ASM - BR, AL	1	EA	
NI	013357-008	DOOR, ASM - BU	1	EA	
NI	013357-108	DOOR, ASM - BR, BU	1	EA	
NI	013357-009	DOOR, ASM - LE	1	EA	
NI	013357-109	DOOR, ASM - BR, LE	1	EA	
NI	013357-010	DOOR, ASM - MJ	1	EA	Not available online / Call for pricing and availability
NI	013357-110	DOOR, ASM - BR, MJ	1	EA	Not available online / Call for pricing and availability
NI	013357-011	DOOR, ASM - FG	1	EA	
NI	013357-111	DOOR, ASM - BR, FG	1	EA	
NI	013357-012	DOOR, ASM - VB	1	EA	
NI	013357-112	DOOR, ASM - BR, VB	1	EA	



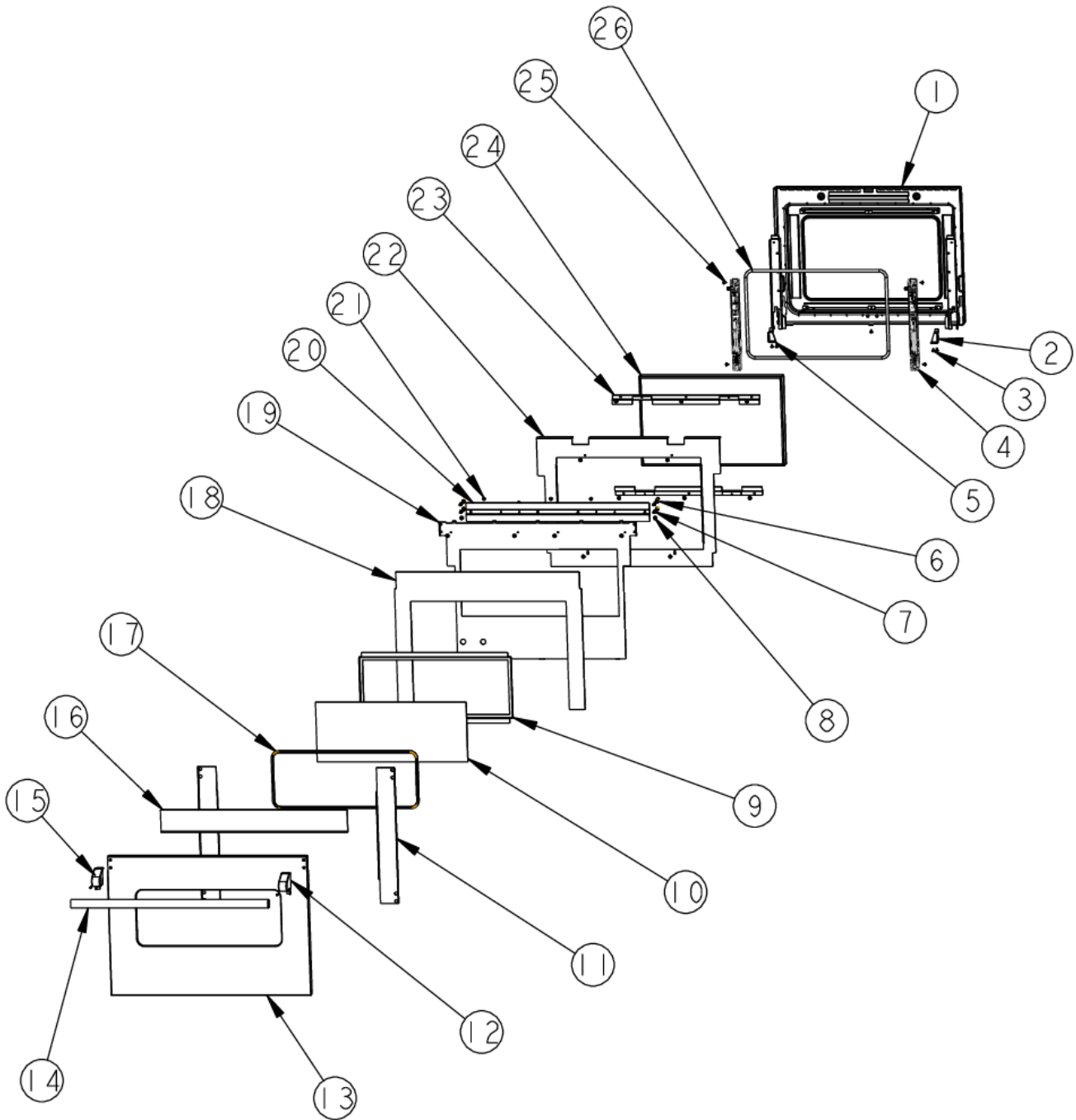


Item	Part No.	Name	Qty	Uom	NOTES
NI	013357-013	DOOR, ASM - CB	1	EA	
NI	013357-113	DOOR, ASM - BR, CB	1	EA	
NI	013357-014	DOOR, ASM - EP	1	EA	
NI	013357-114	DOOR, ASM - BR, EP	1	EA	
NI	013357-015	DOOR, ASM - PL	1	EA	
NI	013357-115	DOOR, ASM - BR, PL	1	EA	
NI	013357-016	DOOR, ASM - CH	1	EA	
NI	013357-116	DOOR, ASM - BR, CH	1	EA	
NI	013357-017	DOOR, ASM - TP	1	EA	
NI	013357-117	DOOR, ASM - BR, TP	1	EA	
NI	013357-018	DOOR, ASM - CW NLA	1	EA	
NI	013357-118	DOOR, ASM - BR, CW	1	EA	
NI	013357-019	DOOR, ASM - OG	1	EA	
NI	013357-119	DOOR, ASM - BR, OG	1	EA	
NI	013357-020	DOOR, ASM - GM	1	EA	
NI	013357-120	DOOR, ASM - BR, GM	1	EA	
NI	013357-021	DOOR, ASM - SA	1	EA	
NI	013357-121	DOOR, ASM - BR, SA	1	EA	
NI	013357-022	DOOR, ASM - SE	1	EA	
NI	013357-122	DOOR, ASM - BR, SE	1	EA	
NI	013357-023	DOOR, ASM - IB	1	EA	
NI	013357-123	DOOR, ASM - BR, IB	1	EA	
NI	013357-024	DOOR, ASM - AR	1	EA	
NI	013357-124	DOOR, ASM - BR, AR	1	EA	
NI	013357-025	DOOR, ASM - RR	1	EA	
NI	013357-125	DOOR, ASM - BR, RR	1	EA	
NI	013357-026	DOOR, ASM - PM	1	EA	
NI	013357-126	DOOR, ASM - BR, PM	1	EA	
NI	013357-027	DOOR, ASM - MS	1	EA	
NI	013357-127	DOOR, ASM - BR, MS	1	EA	

DOOR ASSY RT

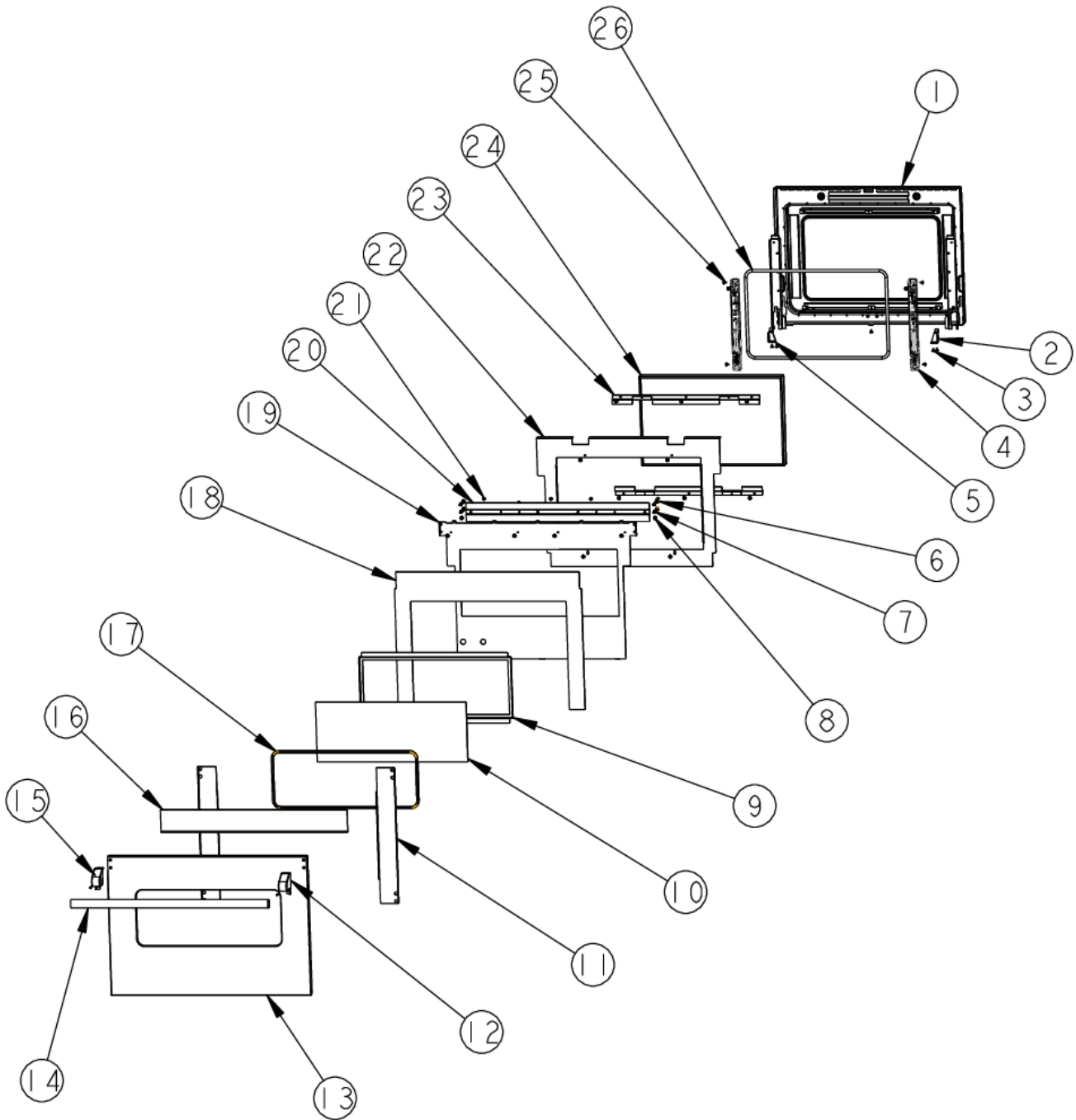


Item	Part No.	Name	Qty	Uom	NOTES
1	015412-000	DOOR LINER SPOTWELD ASM	1	EA	
Not Shown	NOTE	(BEFORE 12/20/12)		EA	
1	015412-402	LINER, DOOR, WLD, ASSY, 30" BLK	1	EA	
Not Shown	NOTE	(ON OR AFTER 12/20/12)		EA	
2	A20012640	HINGE SUPPORT RH	1	EA	
3	PD020032	SRW-8(A)X3/8"PH.WFR HD 7/16DIA*NICL	7	EA	
4	002740-000	DOOR HINGE	2	EA	See TC-0121-SP Service Bulletin
5	A20012641	HINGE SUPPORT LH	1	EA	
6	004907-000	STEEL FINISHING PLUG, NICKEL PLTD 25/64" HOLE	4	EA	
7	030823-000	#10-32 PAN HEAD PHILLIPS MACHINE SCREW	4	EA	
8	PD020073	SRW NO.10 X 24 X 3/8 WAFER HD TYPE23	2	EA	
9	L20014077	30" WINDOW HOLDER	1	EA	
Not Shown	NOTE	(NOT FIELD REPLACEABLE - MUST ORDER ITEM # 13)		EA	
10	PE060090	30" PROF. OUTER DOOR GLASS	1	EA	
Not Shown	NOTE	(NOT FIELD REPLACEABLE - MUST ORDER ITEM # 13)		EA	
11	002726-000	DOOR SKIN SIDE BRACKET	2	EA	
12	003012-000	DOOR HANDLE ENDCAP ASSY, RH (CHROME)	1	EA	
12	003012-100	DOOR HANDLE ENDCAP ASSY, RH (BRASS) - NLA	1	EA	
13	021143-000	SERVICE DOOR SKIN KIT 30" SS	1	EA	
13	021144-002	SERVICE DOOR SKIN KIT 30" BK	1	EA	
13	021144-003	SERVICE DOOR SKIN KIT 30" BT	1	EA	Not available online / Call for pricing and availability
13	021144-004	SERVICE DOOR SKIN KIT 30" SG	1	EA	

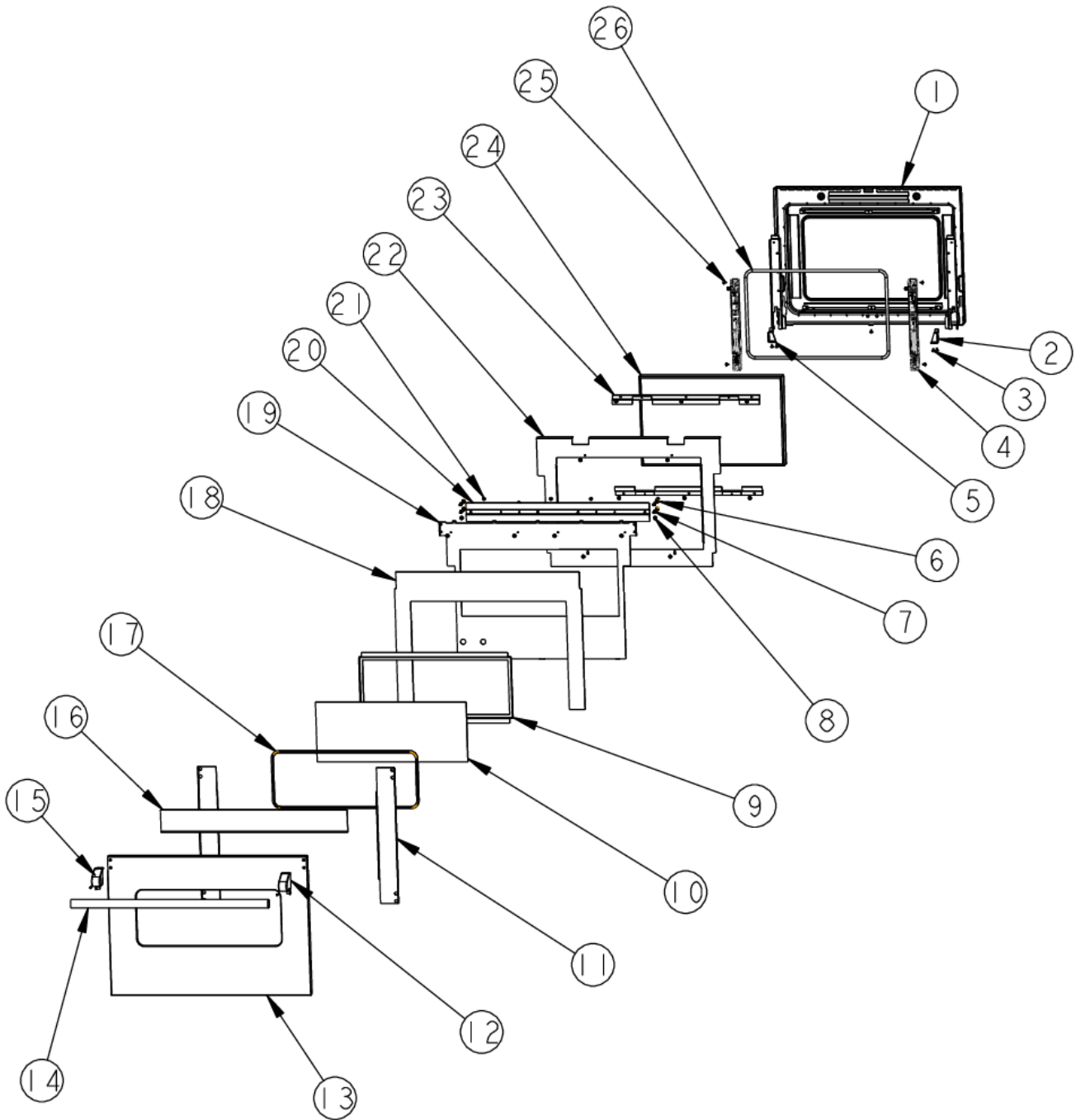




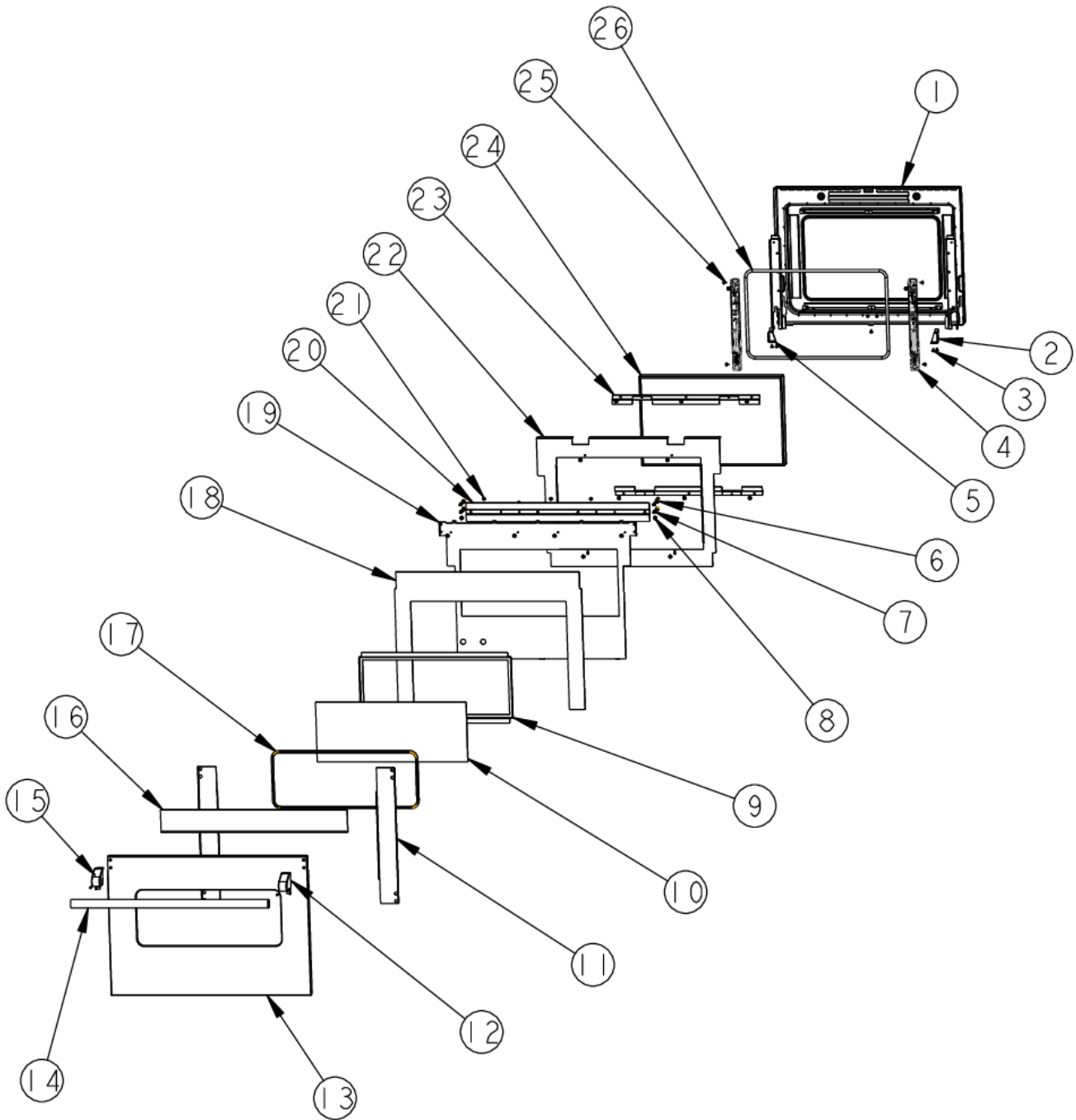
Item	Part No.	Name	Qty	Uom	NOTES
13	021144-005	SERVICE DOOR SKIN KIT 30" GG	1	EA	
13	021144-006	SERVICE DOOR SKIN KIT 30" WH	1	EA	
13	021144-007	SERVICE DOOR SKIN KIT 30" AL	1	EA	Not available online / Call for pricing and availability
13	021144-008	SERVICE DOOR SKIN KIT 30" BU	1	EA	
13	021144-009	SERVICE DOOR SKIN KIT 30" LE	1	EA	
13	021144-010	SERVICE DOOR SKIN KIT 30" MJ	1	EA	Not available online / Call for pricing and availability
13	021144-011	SERVICE DOOR SKIN KIT 30" FG	1	EA	Not available online / Call for pricing and availability
13	021144-012	SERVICE DOOR SKIN KIT 30" VB	1	EA	
13	021144-013	SERVICE DOOR SKIN KIT 30" CB	1	EA	
13	021144-014	SERVICE DOOR SKIN KIT 30" EP	1	EA	Not available online / Call for pricing and availability
13	021144-015	SERVICE DOOR SKIN KIT 30" PL	1	EA	
13	021144-016	SERVICE DOOR SKIN KIT 30" CH	1	EA	
13	021144-017	SERVICE DOOR SKIN KIT 30" TP	1	EA	
13	021144-018	SERVICE DOOR SKIN KIT 30" CW NLA	1	EA	
13	021144-019	SERVICE DOOR SKIN KIT 30" OG	1	EA	
13	021144-020	SERVICE DOOR SKIN KIT 30" GM	1	EA	
13	021144-021	SERVICE DOOR SKIN KIT 30" SA	1	EA	
13	021144-022	SERVICE DOOR SKIN KIT 30" SE	1	EA	
13	021144-023	SERVICE DOOR SKIN KIT 30" IB	1	EA	



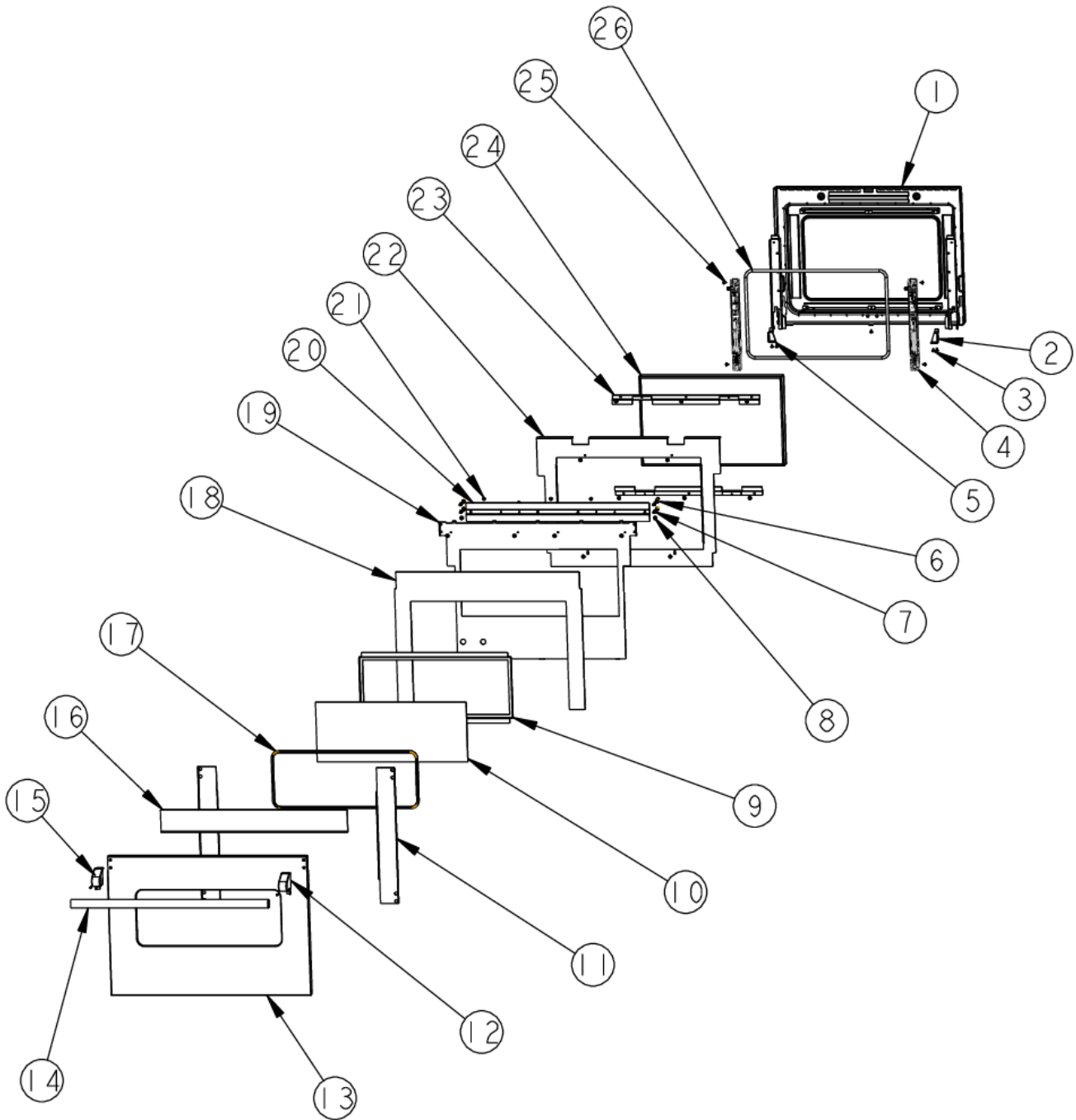
Item	Part No.	Name	Qty	Uom	NOTES
13	021144-024	SERVICE DOOR SKIN KIT 30" AR	1	EA	
13	021144-025	SERVICE DOOR SKIN KIT 30" RR	1	EA	
13	021144-026	SERVICE DOOR SKIN KIT 30" PM	1	EA	
13	021144-027	SERVICE DOOR SKIN KIT 30" MS	1	EA	
14	002728-000	DOOR HANDLE - SS, 1.25" 29.5	1	EA	
15	003011-000	DOOR HANDLE ENDCAP ASSY, LH (CHROME)	1	EA	
15	003011-100	DOOR HANDLE ENDCAP ASSY, LH (BRASS)	1	EA	
16	002724-000	DOOR SKIN HEAT SINK, 30"	1	EA	
17	PE060105	30" J-MOLD (CHROME)	1	EA	
Not Shown	NOTE	(NOT FIELD REPLACEABLE - MUST ORDER ITEM # 13)		EA	
18	006787-000	INSULATION,DOOR,SIDE,SUPE RWOOL,.25,VDSC530	2	EA	
18	006788-000	INSULATION,DOOR,TOP,SUPE RWOOL,.25,VDSC530	1	EA	
19	004176-000	DOOR SKIN INSULATION RETAINER ASSY	1	EA	
20	002732-000	DOOR SKIN MOUNTING BRACKET ASSY	1	EA	
21	PD030010	#10-24 KEPS NUT ZINC PLATED	4	EA	
22	004152-000	DOOR LINER INSULATION RETAINER, 30	1	EA	
23	004153-000	DOOR GLASS HOLDER BRACKET	2	EA	
24	PE060094	30" WINDOW PACK	1	EA	
25	PD020063	SCREW-#8(A) X 3/8"PH WFR HD/BK OXID	18	EA	
26	000594-000	BLACK FIBERGLASS ROPE 3/8	1	EA	
NI	PB070246	30" DOOR GASKET	1	EA	
NI	006804-000	DOOR SKIN ASM, 30", NO LOGO, SS	1	EA	
NI	006804-100	DOOR SKIN ASM, 30", SS/BR, NO LOGO	1	EA	Not available online / Call for pricing and availability



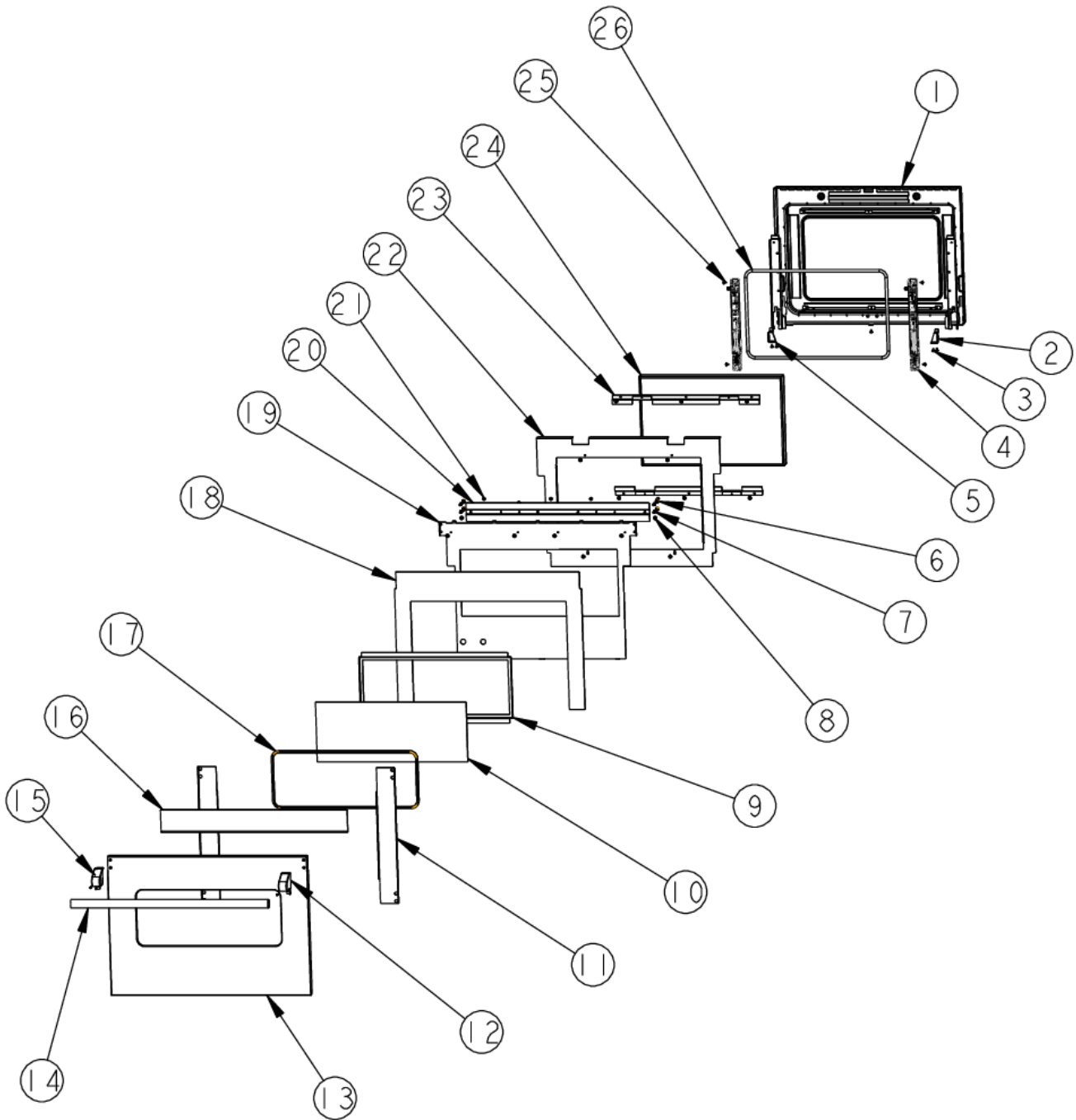
Item	Part No.	Name	Qty	Uom	NOTES
NI	013356-002	DOOR SKIN ASM, 30", NO LOGO, BK	1	EA	
NI	013356-102	DOOR SKIN ASM, 30", NO LOGO, BK/BR	1	EA	
NI	013356-003	DOOR SKIN ASM, 30", NO LOGO, BT	1	EA	
NI	013356-103	DOOR SKIN ASM, 30", NO LOGO, BT/BR	1	EA	
NI	013356-004	DOOR SKIN ASM, 30", NO LOGO, SG	1	EA	
NI	013356-104	DOOR SKIN ASM, 30", NO LOGO, SG/BR	1	EA	
NI	013356-005	DOOR SKIN ASM, 30", NO LOGO, GG	1	EA	
NI	013356-105	DOOR SKIN ASM, 30", NO LOGO, GG/BR	1	EA	
NI	013356-006	DOOR SKIN ASM, 30", NO LOGO, WH	1	EA	
NI	013356-106	DOOR SKIN ASM, 30", NO LOGO, WH/BR	1	EA	
NI	013356-007	DOOR SKIN, ASM - AL	1	EA	
NI	013356-107	DOOR SKIN, ASM - BR, AL	1	EA	
NI	013356-008	DOOR SKIN ASM, 30", NO LOGO, BU	1	EA	
NI	013356-108	DOOR SKIN ASM, 30", NO LOGO, BU/BR	1	EA	
NI	013356-009	DOOR SKIN ASM, 30", NO LOGO, LE	1	EA	
NI	013356-109	DOOR SKIN ASM, 30", NO LOGO, LE/BR	1	EA	
NI	013356-010	DOOR SKIN ASM, 30", NO LOGO, MJ	1	EA	
NI	013356-110	DOOR SKIN ASM, 30", NO LOGO, MJ/BR	1	EA	
NI	013356-011	DOOR SKIN, ASM - FG	1	EA	
NI	013356-111	DOOR SKIN, ASM - BR, FG	1	EA	
NI	013356-012	DOOR SKIN ASM, 30", NO LOGO, VB	1	EA	
NI	013356-112	DOOR SKIN ASM, 30", NO LOGO, VB/BR	1	EA	
NI	013356-013	DOOR SKIN ASM, 30", NO LOGO, CB	1	EA	



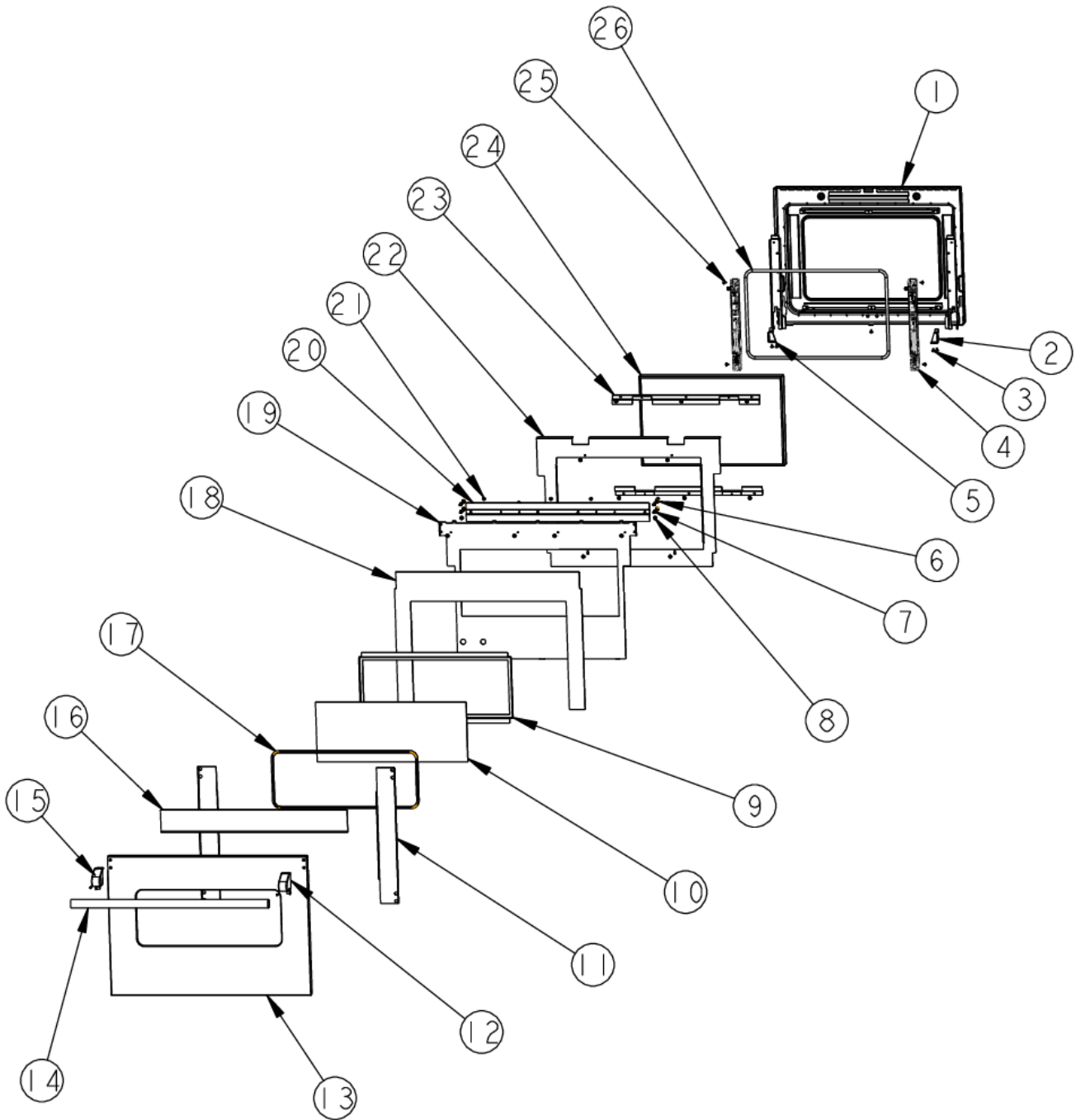
Item	Part No.	Name	Qty	Uom	NOTES
NI	013356-113	DOOR SKIN ASM, 30", NO LOGO, CB/BR	1	EA	
NI	013356-014	DOOR SKIN, ASM - EP	1	EA	
NI	013356-114	DOOR SKIN, ASM - BR, EP	1	EA	
NI	013356-015	DOOR SKIN ASM, 30", NO LOGO, PL	1	EA	
NI	013356-115	DOOR SKIN ASM, 30", NO LOGO, PL/BR	1	EA	
NI	013356-016	DOOR SKIN ASM, 30", NO LOGO, CH	1	EA	
NI	013356-116	DOOR SKIN ASM, 30", NO LOGO, CH/BR	1	EA	
NI	013356-017	DOOR SKIN ASM, 30", NO LOGO, TP	1	EA	
NI	013356-117	DOOR SKIN ASM, 30", NO LOGO, TP/BR	1	EA	
NI	013356-018	DOOR SKIN ASM, 30", NO LOGO, CW NLA	1	EA	
NI	013356-118	DOOR SKIN ASM, 30", NO LOGO, CW/BR	1	EA	
NI	013356-019	DOOR SKIN ASM, 30", NO LOGO, OG	1	EA	
NI	013356-119	DOOR SKIN ASM, 30", NO LOGO, OG/BR	1	EA	
NI	013356-020	DOOR SKIN ASM, 30", NO LOGO, GM	1	EA	
NI	013356-120	DOOR SKIN ASM, 30", NO LOGO, GM/BR	1	EA	
NI	013356-021	DOOR SKIN ASM, 30", NO LOGO, SA	1	EA	
NI	013356-121	DOOR SKIN ASM, 30", NO LOGO, SA/BR	1	EA	
NI	013356-022	DOOR SKIN ASM, 30", NO LOGO, SE	1	EA	
NI	013356-122	DOOR SKIN ASM, 30", NO LOGO, SE/BR	1	EA	
NI	013356-023	DOOR SKIN ASM, 30", NO LOGO, IB	1	EA	
NI	013356-123	DOOR SKIN ASM, 30", NO LOGO, IB/BR	1	EA	
NI	013356-024	DOOR SKIN ASM, 30", NO LOGO, AR	1	EA	



Item	Part No.	Name	Qty	Uom	NOTES
NI	013356-124	DOOR SKIN ASM, 30", NO LOGO, AR/BR	1	EA	
NI	013356-025	DOOR SKIN ASM, 30", NO LOGO, RR	1	EA	
NI	013356-125	DOOR SKIN ASM, 30", NO LOGO, RR/BR	1	EA	
NI	013356-026	DOOR SKIN ASM, 30", NO LOGO, PM	1	EA	
NI	013356-126	DOOR SKIN ASM, 30", NO LOGO, PM/BR	1	EA	
NI	013356-027	DOOR SKIN ASM, 30", NO LOGO, MS	1	EA	
NI	013356-127	DOOR SKIN ASM, 30", NO LOGO, MS/BR	1	EA	
NI	006805-000	DOOR ASM, 30" - NO LOGO, RH, SS	1	EA	
NI	006805-100	DOOR ASM, 30" - NO LOGO, RH, SS/BR	1	EA	
NI	013355-002	DOOR ASM, 30", DECARB, NO LOGO, RH, BK	1	EA	
NI	013355-102	DOOR ASM, 30", DECARB, NO LOGO, RH, BK/BR	1	EA	
NI	013355-003	DOOR ASM, 30", DECARB, NO LOGO, RH, BT	1	EA	
NI	013355-103	DOOR ASM, 30", DECARB, NO LOGO, RH, BT/BR	1	EA	
NI	013355-004	DOOR ASM, 30", DECARB, NO LOGO, RH, SG	1	EA	
NI	013355-104	DOOR ASM, 30", DECARB, NO LOGO, RH, SG/BR	1	EA	
NI	013355-005	DOOR ASM, 30", DECARB, NO LOGO, RH, GG	1	EA	
NI	013355-105	DOOR ASM, 30", DECARB, NO LOGO, RH, GG/R	1	EA	
NI	013355-006	DOOR ASM, 30", DECARB, NO LOGO, RH, WH	1	EA	Not available online / Call for pricing and availability
NI	013355-106	DOOR ASM, 30", DECARB, NO LOGO, RH, WH/BR	1	EA	
NI	013355-007	DOOR ASM, 30", DECARB, NO LOGO, RH, AL	1	EA	Not available online / Call for pricing and availability



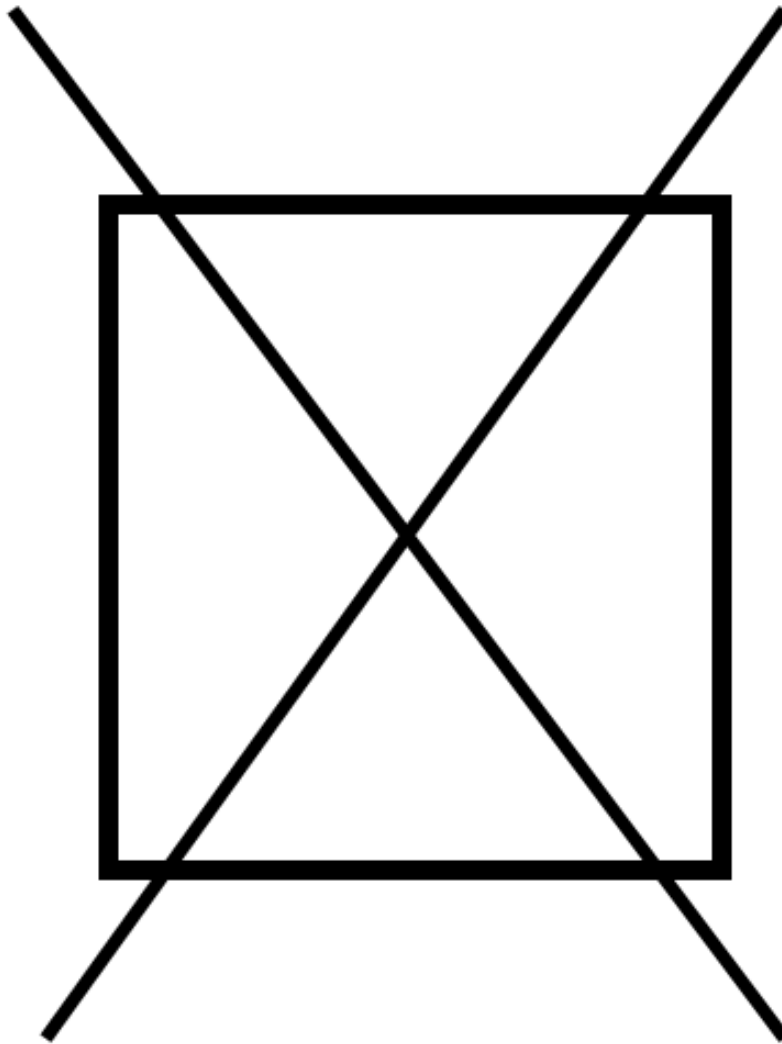
Item	Part No.	Name	Qty	Uom	NOTES
NI	013355-107	DOOR ASM, 30", DECARB, NO LOGO, RH, AL/BR	1	EA	
NI	013355-008	DOOR ASM, 30", DECARB, NO LOGO, RH, BU	1	EA	
NI	013355-108	DOOR ASM, 30", DECARB, NO LOGO, RH, BU/BR	1	EA	
NI	013355-009	DOOR ASM, 30", DECARB, NO LOGO, RH, LE	1	EA	
NI	013355-109	DOOR ASM, 30", DECARB, NO LOGO, RH, LE/BR	1	EA	
NI	013355-010	DOOR ASM, 30", DECARB, NO LOGO, RH, MJ	1	EA	Not available online / Call for pricing and availability
NI	013355-110	DOOR ASM, 30", DECARB, NO LOGO, RH, MJ/BR	1	EA	
NI	013355-011	DOOR ASM, 30", DECARB, NO LOGO, RH, FG	1	EA	
NI	013355-111	DOOR ASM, 30", DECARB, NO LOGO, RH, FG/BR	1	EA	
NI	013355-012	DOOR ASM, 30", DECARB, NO LOGO, RH, VB	1	EA	
NI	013355-112	DOOR ASM, 30", DECARB, NO LOGO, RH, VB/BR	1	EA	
NI	013355-013	DOOR ASM, 30", DECARB, NO LOGO, RH, CB	1	EA	
NI	013355-113	DOOR ASM, 30", DECARB, NO LOGO, RH, CB/BR	1	EA	
NI	013355-014	DOOR ASM, 30", DECARB, NO LOGO, RH, EP	1	EA	
NI	013355-114	DOOR ASM, 30", DECARB, NO LOGO, RH, EP/BR	1	EA	
NI	013355-015	DOOR ASM, 30", DECARB, NO LOGO, RH, PL	1	EA	
NI	013355-115	DOOR ASM, 30", DECARB, NO LOGO, RH, PL/BR	1	EA	
NI	013355-016	DOOR ASM, 30", DECARB, NO LOGO, RH, CH	1	EA	
NI	013355-116	DOOR ASM, 30", DECARB, NO LOGO, RH, CH/BR	1	EA	
NI	013355-017	DOOR ASM, 30", DECARB, NO LOGO, RH, TP	1	EA	
NI	013355-117	DOOR ASM, 30", DECARB, NO LOGO, RH, TP/BR	1	EA	





Item	Part No.	Name	Qty	Uom	NOTES
NI	013355-018	DOOR ASM, 30", DECARB, NO LOGO, RH, CW NLA	1	EA	
NI	013355-118	DOOR ASM, 30", DECARB, NO LOGO, RH, CW/BR	1	EA	
NI	013355-019	DOOR ASM, 30", DECARB, NO LOGO, RH, OG	1	EA	
NI	013355-119	DOOR ASM, 30", DECARB, NO LOGO, RH, OG/BR	1	EA	
NI	013355-020	DOOR ASM, 30", DECARB, NO LOGO, RH, GM	1	EA	
NI	013355-120	DOOR ASM, 30", DECARB, NO LOGO, RH, GM/BR	1	EA	
NI	013355-021	DOOR ASM, 30", DECARB, NO LOGO, RH, SA	1	EA	
NI	013355-121	DOOR ASM, 30", DECARB, NO LOGO, RH, SA/BR	1	EA	
NI	013355-022	DOOR ASM, 30", DECARB, NO LOGO, RH, SE	1	EA	
NI	013355-122	DOOR ASM, 30", DECARB, NO LOGO, RH, SE/BR	1	EA	
NI	013355-023	DOOR ASM, 30", DECARB, NO LOGO, RH, IB	1	EA	
NI	013355-123	DOOR ASM, 30", DECARB, NO LOGO, RH, IB/BR	1	EA	
NI	013355-024	DOOR ASM, 30", DECARB, NO LOGO, RH, AR	1	EA	
NI	013355-124	DOOR ASM, 30", DECARB, NO LOGO, RH, AR/BR	1	EA	
NI	013355-025	DOOR ASM, 30", DECARB, NO LOGO, RH, RR	1	EA	
NI	013355-125	DOOR ASM, 30", DECARB, NO LOGO, RH, RR/BR	1	EA	
NI	013355-026	DOOR ASM, 30", DECARB, NO LOGO, RH, PM	1	EA	
NI	013355-126	DOOR ASM, 30", DECARB, NO LOGO, RH, PM/BR	1	EA	
NI	013355-027	DOOR ASM, 30", DECARB, NO LOGO, RH, MS	1	EA	
NI	013355-127	DOOR ASM, 30", DECARB, NO LOGO, RH, MS/VR	1	EA	

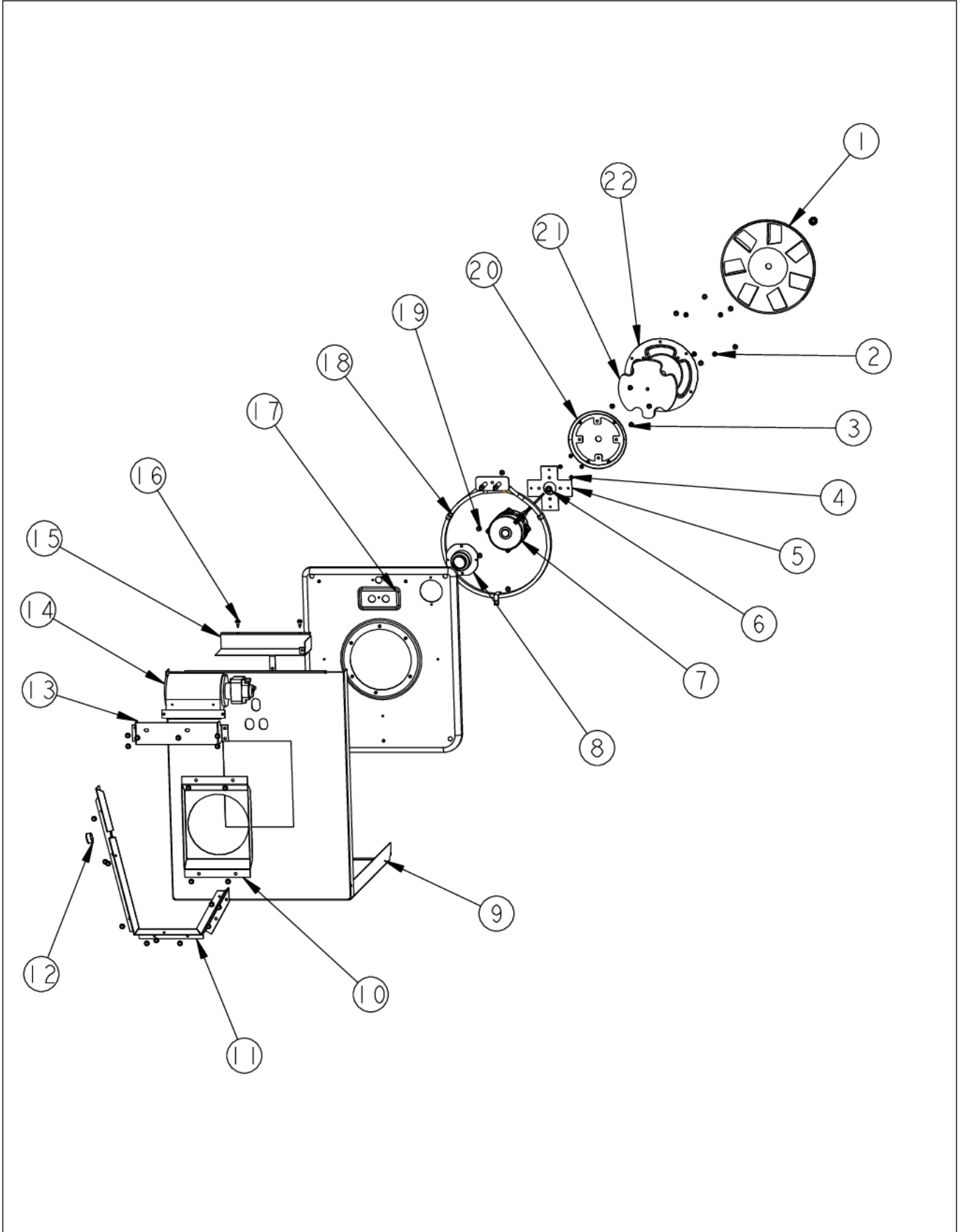
NON
ILLUSTRATED PART



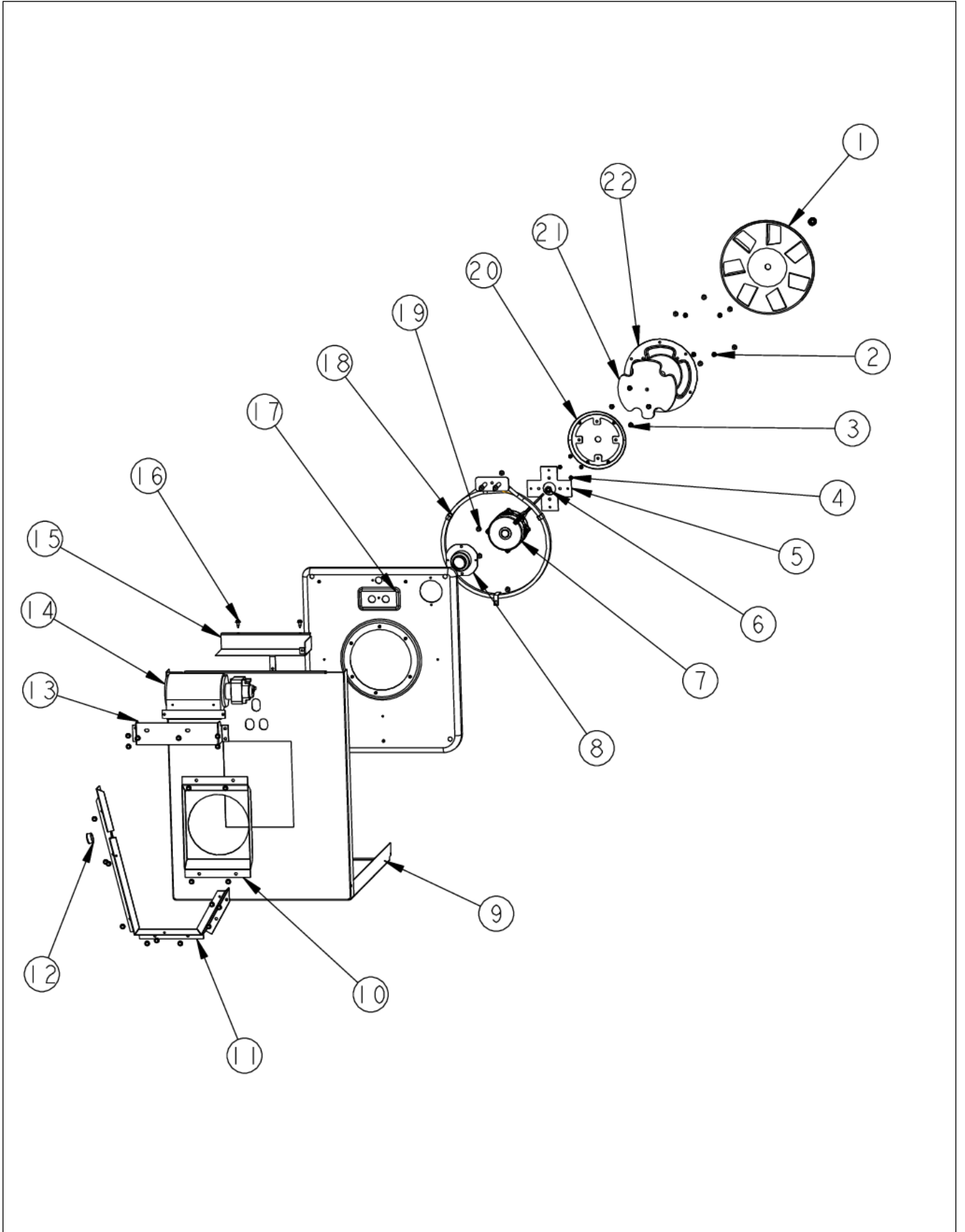


Item	Part No.	Name	Qty	Uom	NOTES
NI	012828-000	HARNESS, GROUND, DSI, VDSC536-4G	1	EA	

FAN ASSY LT



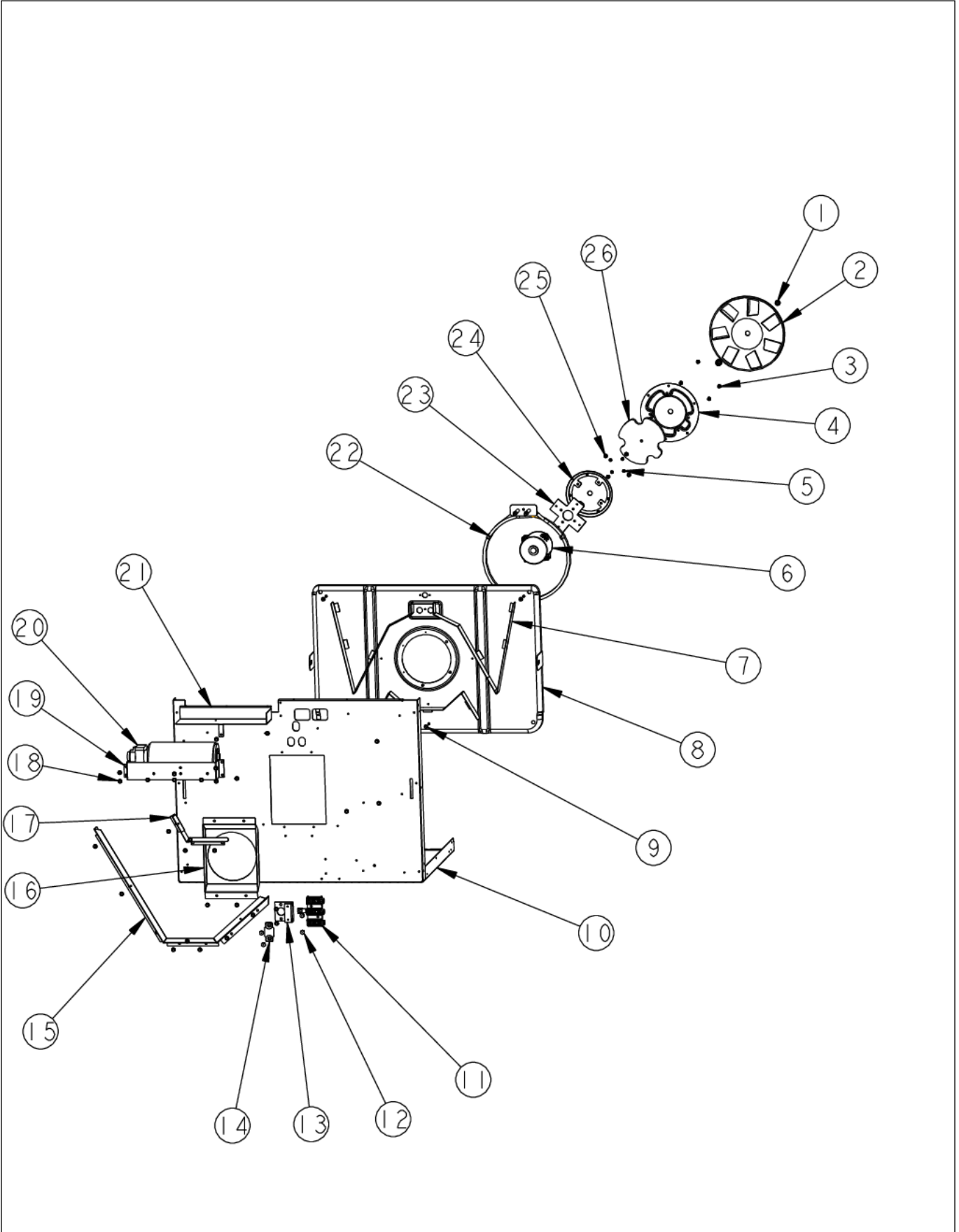
Item	Part No.	Name	Qty	Uom	NOTES
1	PE050227	CONVECTION FAN BLADE ASSY	1	EA	
2	PD020055	#10 X 1/2" PAN PHIL. TEK. SS	4	EA	
3	PD020004	10X3/8PH.HD.TYPE 25 REPL PD040125	4	EA	
4	PD010028	BOLT M4X5	4	EA	
5	A10012735	EBM FAN MOTOR ADAPTER	1	EA	Not available online / Call for pricing and availability
6	PD030149	5/16 NUT	1	EA	
7	005458-000	FAN, MOTOR, CONVECTION, VDSC18" OVEN	1	EA	
8	PM010014	SMOKE ELIMINATOR (VDSC)	1	EA	
9	006167-000	OVEN, BACK, BOT, ASM, VDSC18"	1	EA	
10	A2009697	BRACKET, CONVECTION INSULATION	1	EA	
11	007248-000	BAFFLE, FAN, REAR, VDSC18"	1	EA	
12	PD040005	SNAP BUSHING, 7/8"	1	EA	
13	007420-000	COOLING, FAN, MOUNTING, BRACKET, VDSC18"	1	EA	
14	007794-000	COOLING FAN, VDSC 18"	1	EA	
Not Shown	NOTE	(BEFORE 8/12/2013)		EA	
14	018608-000	FAN, BLO, 220-240V 50/60Hz ASM (MT1712)		EA	
Not Shown	NOTE	(ON OR AFTER 8/12/2013)		EA	
15	007419-000	BRACKET, FAN, MT, BOT, VDSC 18"	1	EA	
16	003860-000	FASTENER,SCR,HXWH,STL,ZP LT,10-18 x .500	23	EA	
17	NON REPLACEABLE	BAFFLE, CONVECTION, ASM (006176-000)	1	EA	
18	PJ010047	CONVECTION ELEMENT	1	EA	
19	PD020048	NO.10 X 1/2 TEK 410 SS SCREW	10	EA	
20	A21012728	BRKT, MTG, CONV MOTOR	1	EA	Not available online / Call for pricing and availability



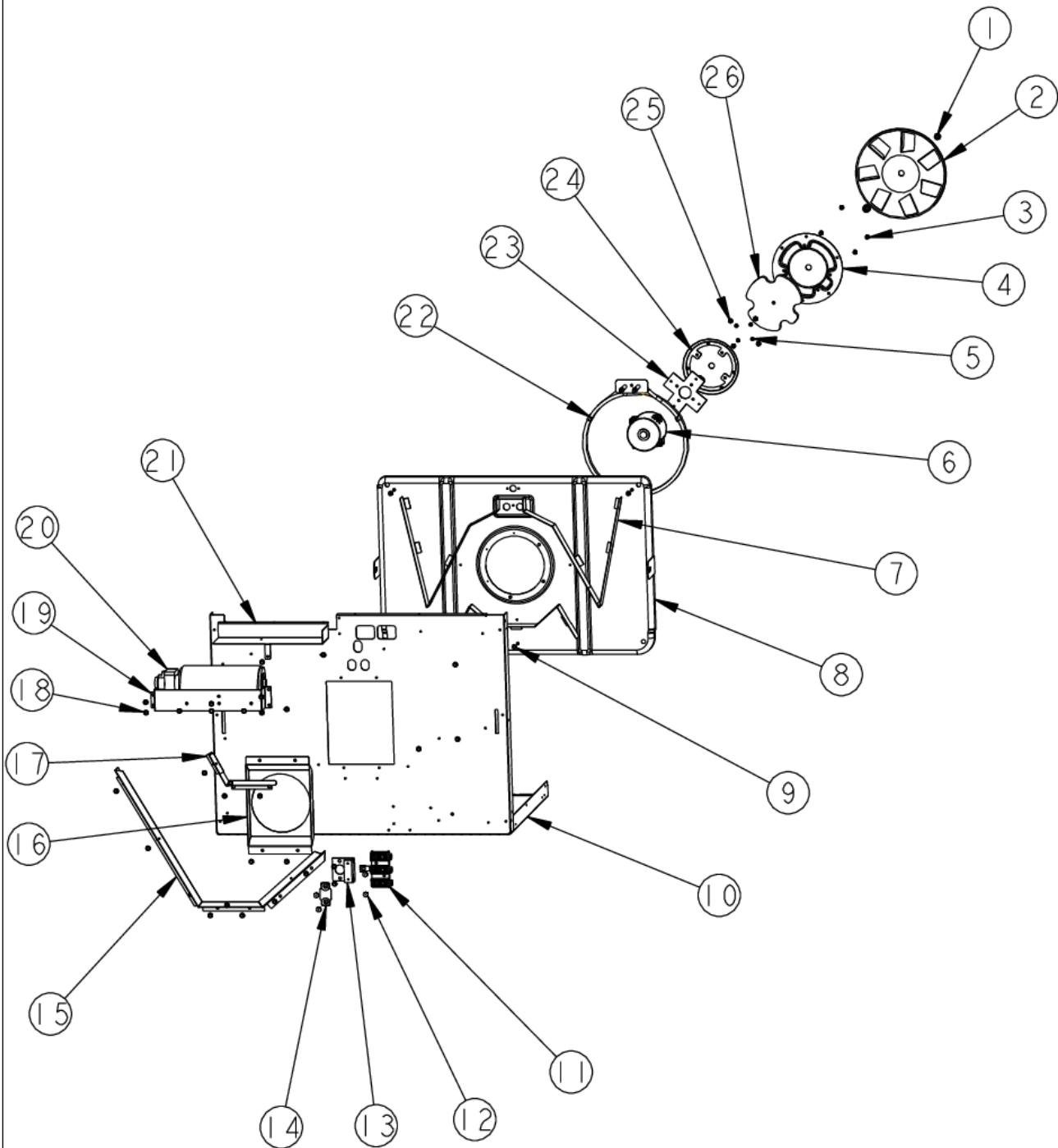


Item	Part No.	Name	Qty	Uom	NOTES
21	PB070312	CONVECTION MOTOR MTG. PLATE INSULATION	1	EA	
22	023116-000	PLATE, MOUNTING, CONVECTION MOTOR	1	EA	
NI	006168-000	FAN, CNVN, ASM, VDSC 18"	1	EA	

FAN ASSY RT



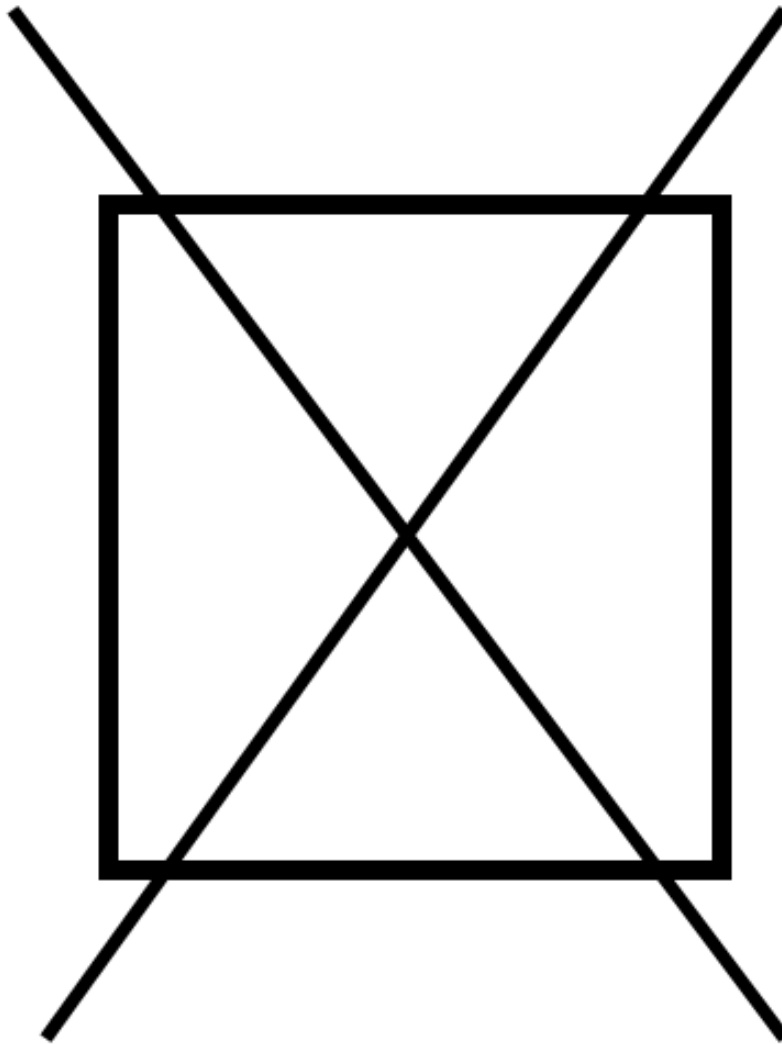
Item	Part No.	Name	Qty	Uom	NOTES
1	PD030149	5/16 NUT	1	EA	
2	PE050227	CONVECTION FAN BLADE ASSY	1	EA	
3	PD020055	#10 X 1/2" PAN PHIL. TEK. SS	4	EA	
4	023116-000	PLATE, MOUNTING, CONVECTION MOTOR	1	EA	
5	PD010028	BOLT M4X5	4	EA	
6	PE050203	CONVECTION MOTOR	1	EA	
7	G91013598	30" BAFFLE ASSEMBLY	1	EA	
8	NON REPLACEABLE	OVEN CAVITY, 36" (G30014040)	1	EA	
9	PD020048	NO.10 X 1/2 TEK 410 SS SCREW	3	EA	
10	003818-000	OVEN BOTTOM, BACK WRAP ASSY - NLA	1	EA	NO LONGER AVAILABLE
11	PE070147	TERMINAL BLOCK (VDSC)	1	EA	
12	PD020014	10X3/4 PH TR HD SMS	4	EA	
13	A2002195	POWER CORD MOUNTING BRKT (VDSC)	1	EA	
14	A1002457	POWER CORD MOUNTING STRAP (VDSC)	1	EA	
15	002941-000	BAFFLE, FAN, REAR	1	EA	
16	A2009697	BRACKET, CONVECTION INSULATION	1	EA	
17	003356-000	DIVERTER, AIR	1	EA	
18	003860-000	FASTENER,SCR,HXWH,STL,ZP LT,10-18 x .500	30	EA	
19	004110-000	Blower Mount	1	EA	
20	PE050250	Blower	1	EA	
Comments for Part Num. PE050250 highendappsvc@gmail.com on Jan 28, 2019 If you need to replace cooling fan for the model vgs5486gss serial date code 031412, do not order this fan, this fan is larger and configured wrong. The correct fan is 007794-000. it is smaller.					
Not Shown	NOTE	(BEFORE 8/10/2013)		EA	
20	018607-000	FAN, BLO, 220-240V 50/60 HZ ASM	1	EA	
Not Shown	NOTE	(ON OR AFTER 8/10/2013)		EA	





Item	Part No.	Name	Qty	Uom	NOTES
21	A2009659	BRACKET, FILLER, BLOWER	1	EA	
22	PJ010047	CONVECTION ELEMENT	1	EA	
23	A10012735	EBM FAN MOTOR ADAPTER	1	EA	Not available online / Call for pricing and availability
24	A21012728	BRKT, MTG, CONV MOTOR	1	EA	Not available online / Call for pricing and availability
25	PD020004	10X3/8PH.HD.TYPE 25 REPL PD040125	4	EA	
26	PB070312	CONVECTION MOTOR MTG. PLATE INSULATION	1	EA	
27	PD020032	SRW-8(A)X3/8"PH.WFR HD 7/16DIA*NICL	1	EA	
NI	G32014020	CONVECTION FAN ASSY	1	EA	

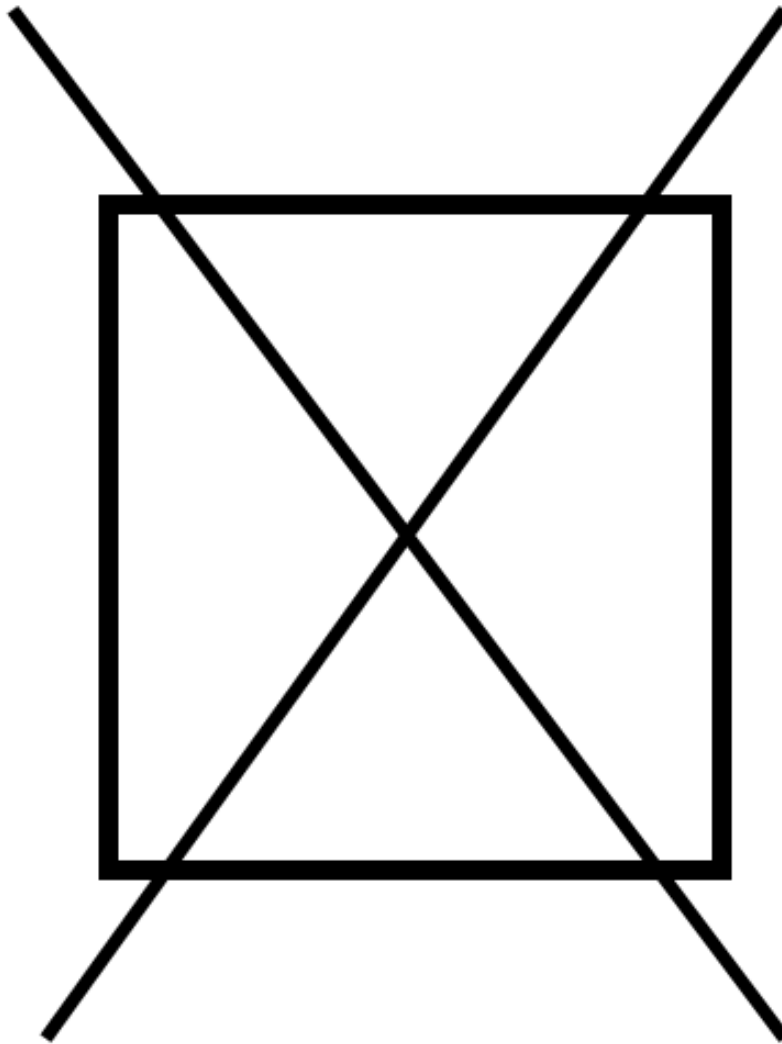
NON
ILLUSTRATED PART





Item	Part No.	Name	Qty	Uom	NOTES
NI	009665-000	GRIDDLE, POWER, HARNESS, VDSC CUSTOM	1	EA	
Not Shown	NOTE	(BEFORE 01/05/11)		EA	
NI	036200-000	HARNESS. W/ GRIDDLE	1	EA	
Not Shown	NOTE	(ON OR AFTER 01/05/11)		EA	

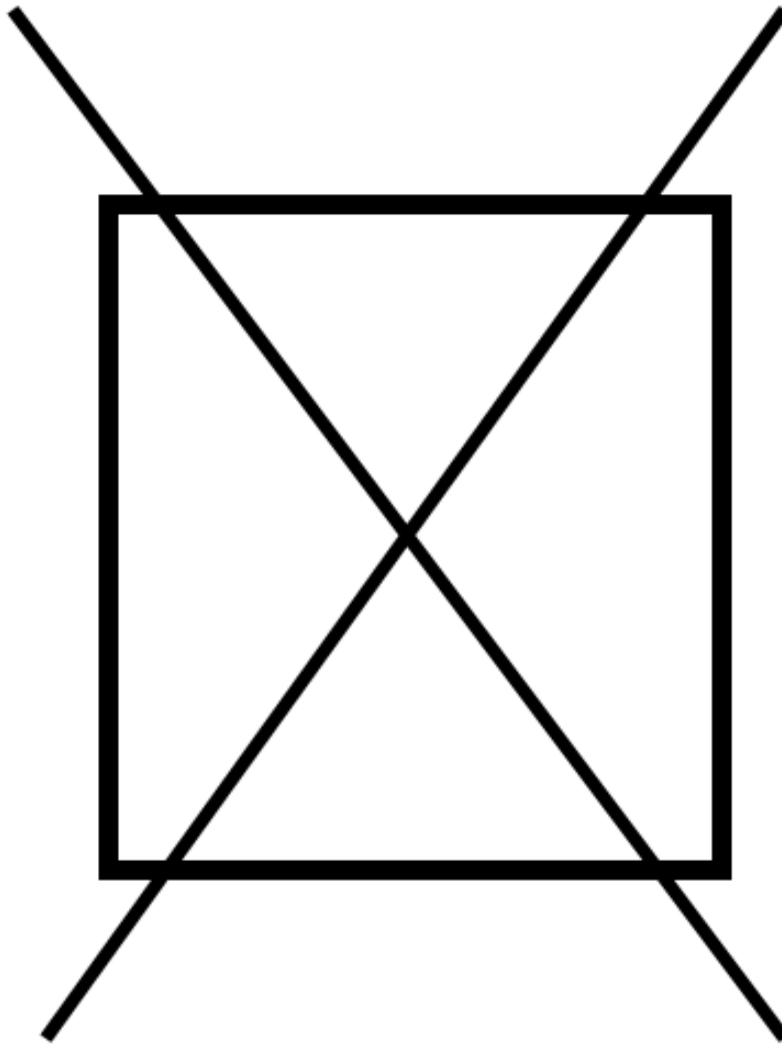
NON
ILLUSTRATED PART





Item	Part No.	Name	Qty	Uom	NOTES
NI	PE070891	IRIS HARNESS - 48"	1	EA	
Not Shown	NOTE	(BEFORE 01/05/11)		EA	
NI	023325-000	IRIS HARNESS, 48"	1	EA	
Not Shown	NOTE	(ON OR AFTER 01/05/11)		EA	
NI	000647-000	IRIS IGNITOR WIRE, FRONT BURNER	3	EA	
NI	006766-000	IRIS IGNITOR WIRE, BACK BURNER	3	EA	
NI	015357-000	IGNITOR, W/WIRE	2	EA	

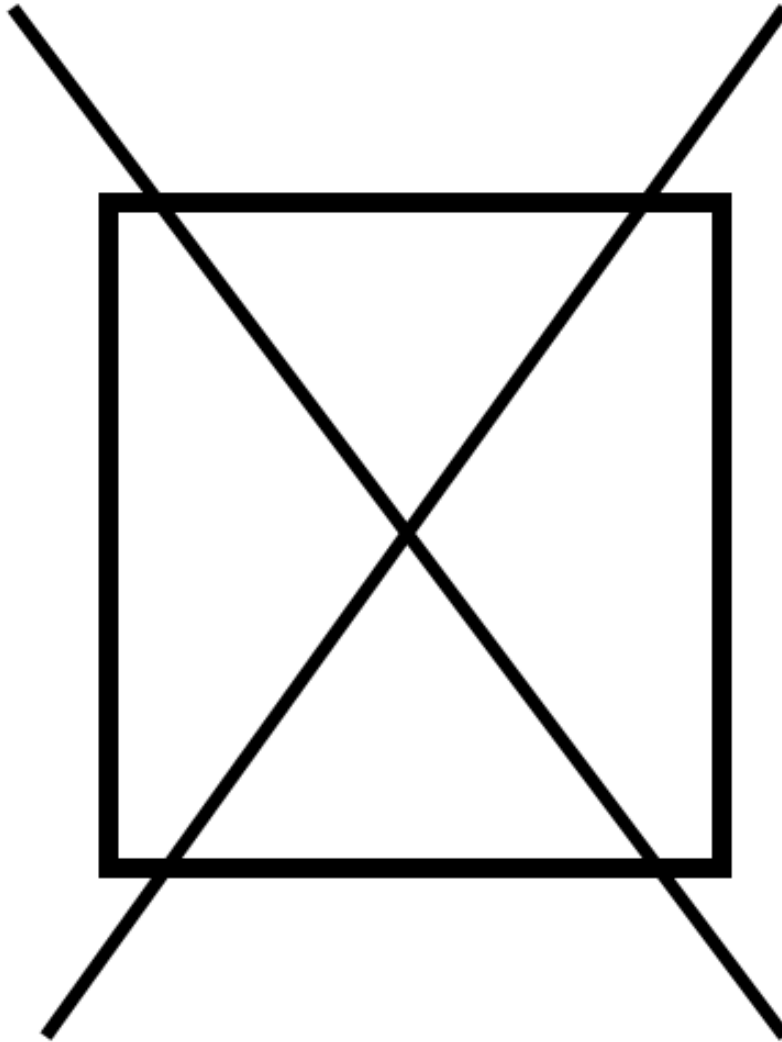
NON
ILLUSTRATED PART





Item	Part No.	Name	Qty	Uom	NOTES
NI	004295-000	HARNESS,POWER,IRIS,45" LONG	1	EA	
Not Shown	NOTE	(BEFORE 7/29/10)		EA	

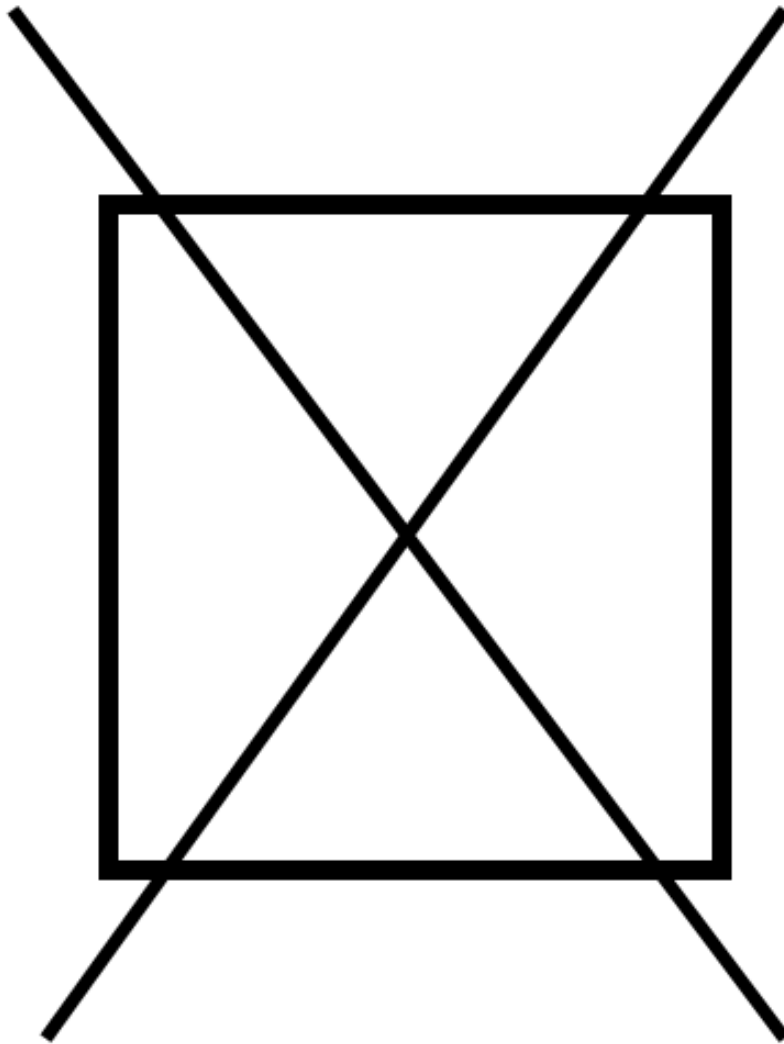
NON
ILLUSTRATED PART





Item	Part No.	Name	Qty	Uom	NOTES
NI	021319-000	*SEE 027543-000* HARNESS, ADPT, LED, 125V TO 2V	1	EA	

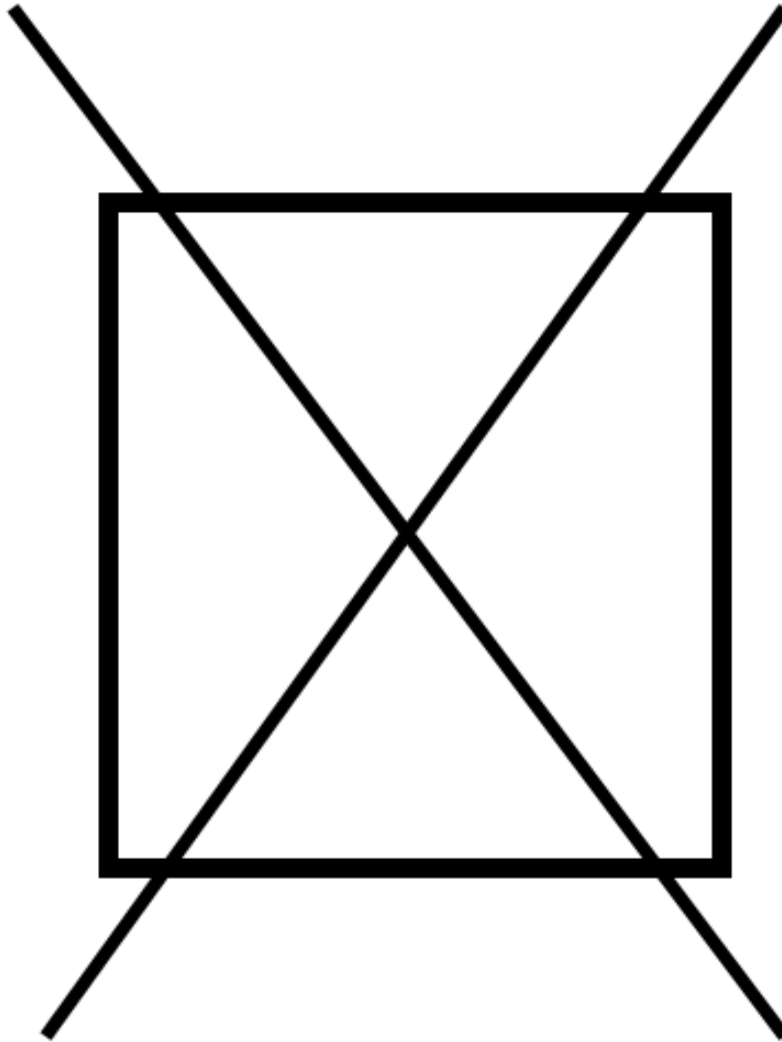
NON
ILLUSTRATED PART





Item	Part No.	Name	Qty	Uom	NOTES
NI	009645-000	MODEL HEADER 11	1	EA	
Not Shown	NOTE	(BEFORE 9/29/10 AND ON OR AFTER 9/29/10)		EA	

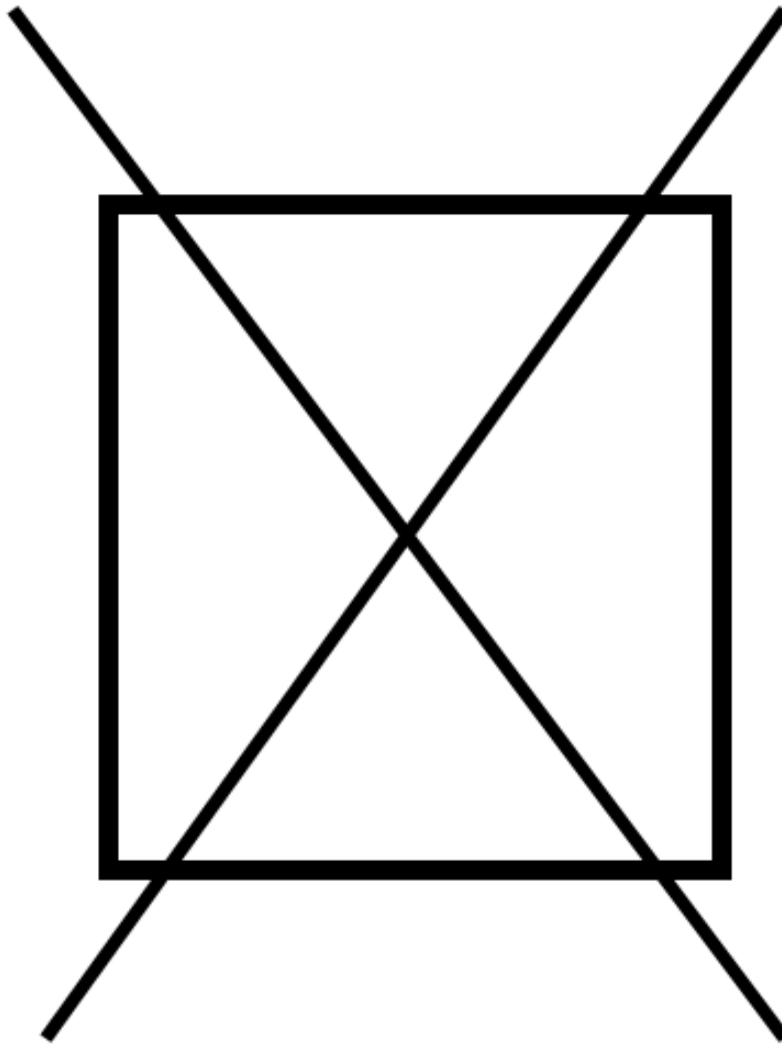
NON
ILLUSTRATED PART





Item	Part No.	Name	Qty	Uom	NOTES
NI	013295-000	HARNESS, LIGHT SWITCH, VDSC548	1	EA	

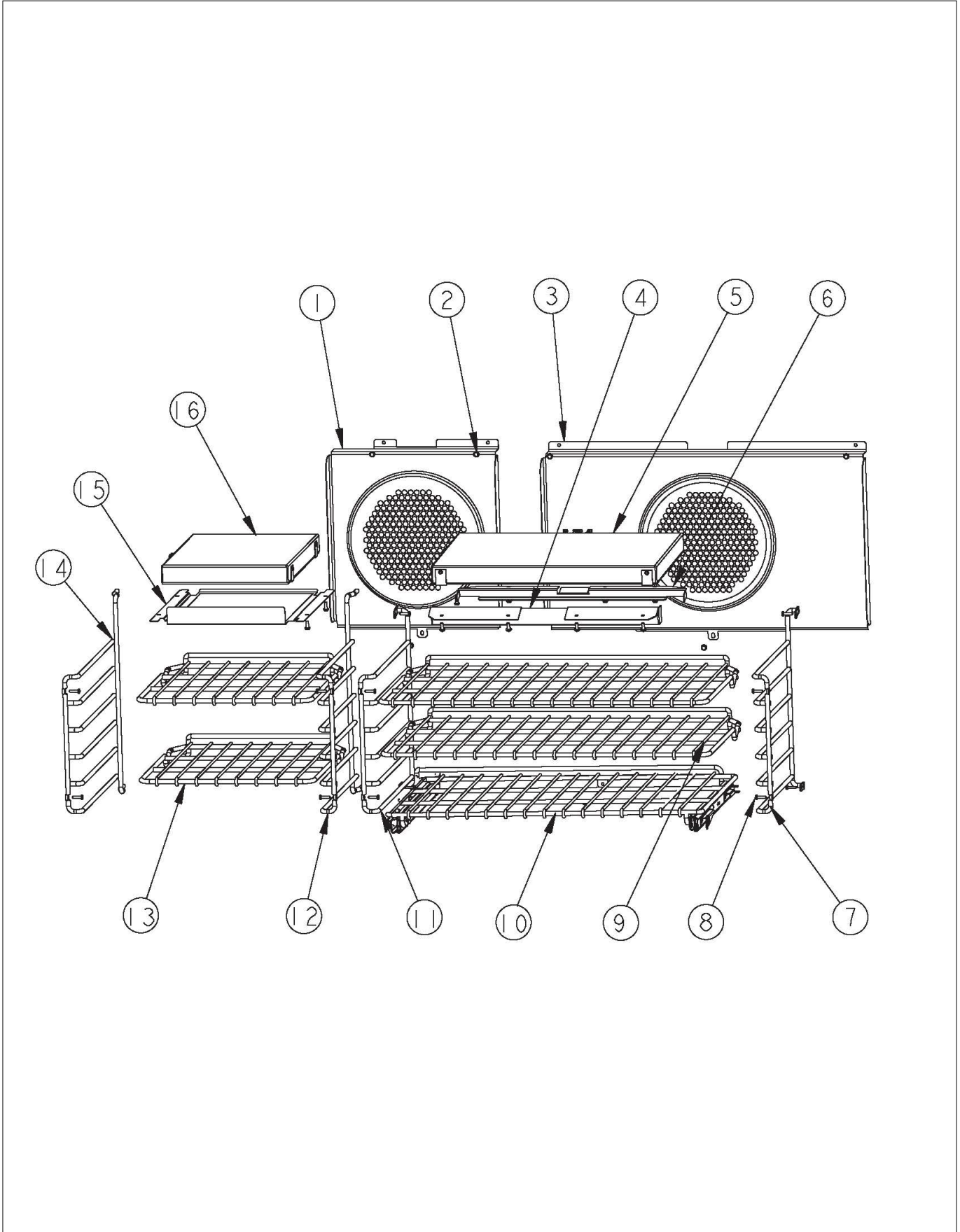
NON
ILLUSTRATED PART





Item	Part No.	Name	Qty	Uom	NOTES
NI	000915-000	LIMIT JUMPER	2	EA	
Not Shown	NOTE	(BEFORE 7/29/10)		EA	

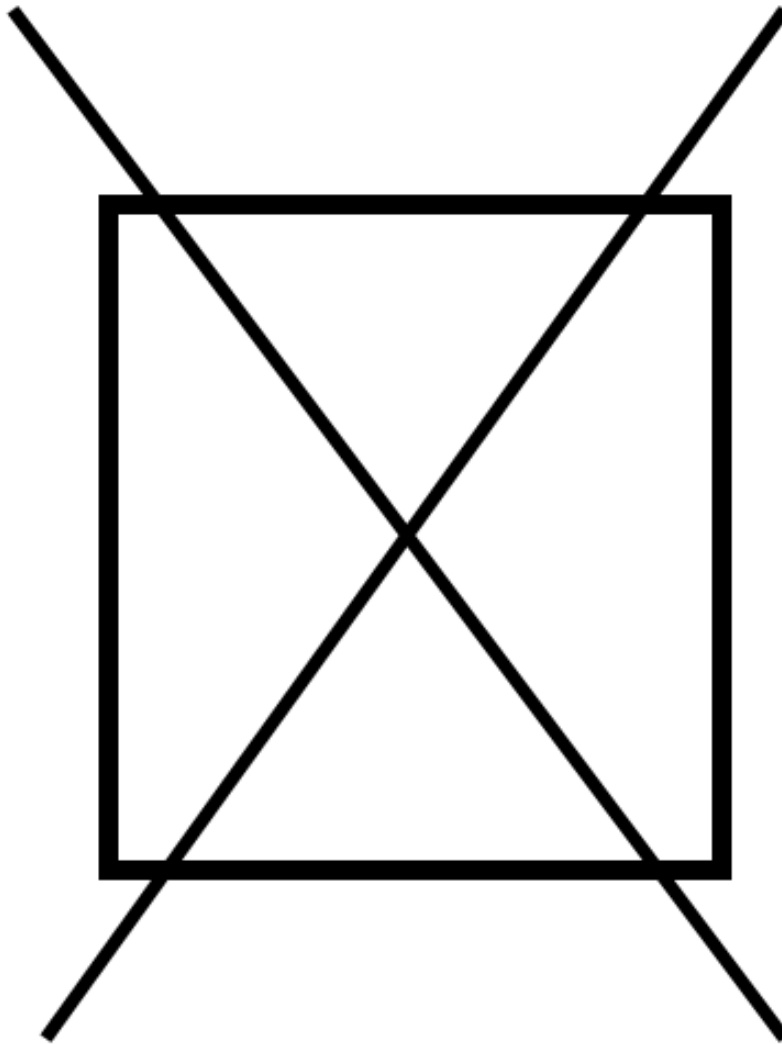
OVEN INTERIOR





Item	Part No.	Name	Qty	Uom	NOTES
1	006176-000	BAFFLE, CNVN, ASM, VDSC 18"	1	EA	
2	PD020048	NO.10 X 1/2 TEK 410 SS SCREW	16	EA	
3	G91013598	30" BAFFLE ASSEMBLY	1	EA	
4	024234-000	PREMIERE BROIL ELEMENT BRACKET FRONT	1	EA	
5	024040-000	SEALED BROIL ELEMENT W/GLASS	1	EA	
6	024221-000	BROIL ELEMENT BRACKET REAR	1	EA	
7	PB060103	RACK SUPPORT RH	1	EA	
8	PD020232	NO.8 X 3/4 PH PAN HEAD TEK SCREW (BLACK OXIDE)	12	EA	
9	PB060107	30" OVEN RACK	2	EA	
10	024102-000	PULLOUT RACK, 30"	1	EA	
11	PB060104	RACK SUPPORT LH	1	EA	
12	066478-402	SUPPORT, RACK ASM, RH BLACK	1	EA	
13	006379-000	OVEN,RACK,ASM,VDSC18"	2	EA	
14	066479-402	SUPPORT, RACK ASM, LH BLACK	1	EA	
15	006748-000	BRACKET,SST,201HP,MILL,VD SC18",GLASS BROILER	1	EA	
16	006380-000	ELEMENT, GLASS, BROILER, 18"	1	EA	

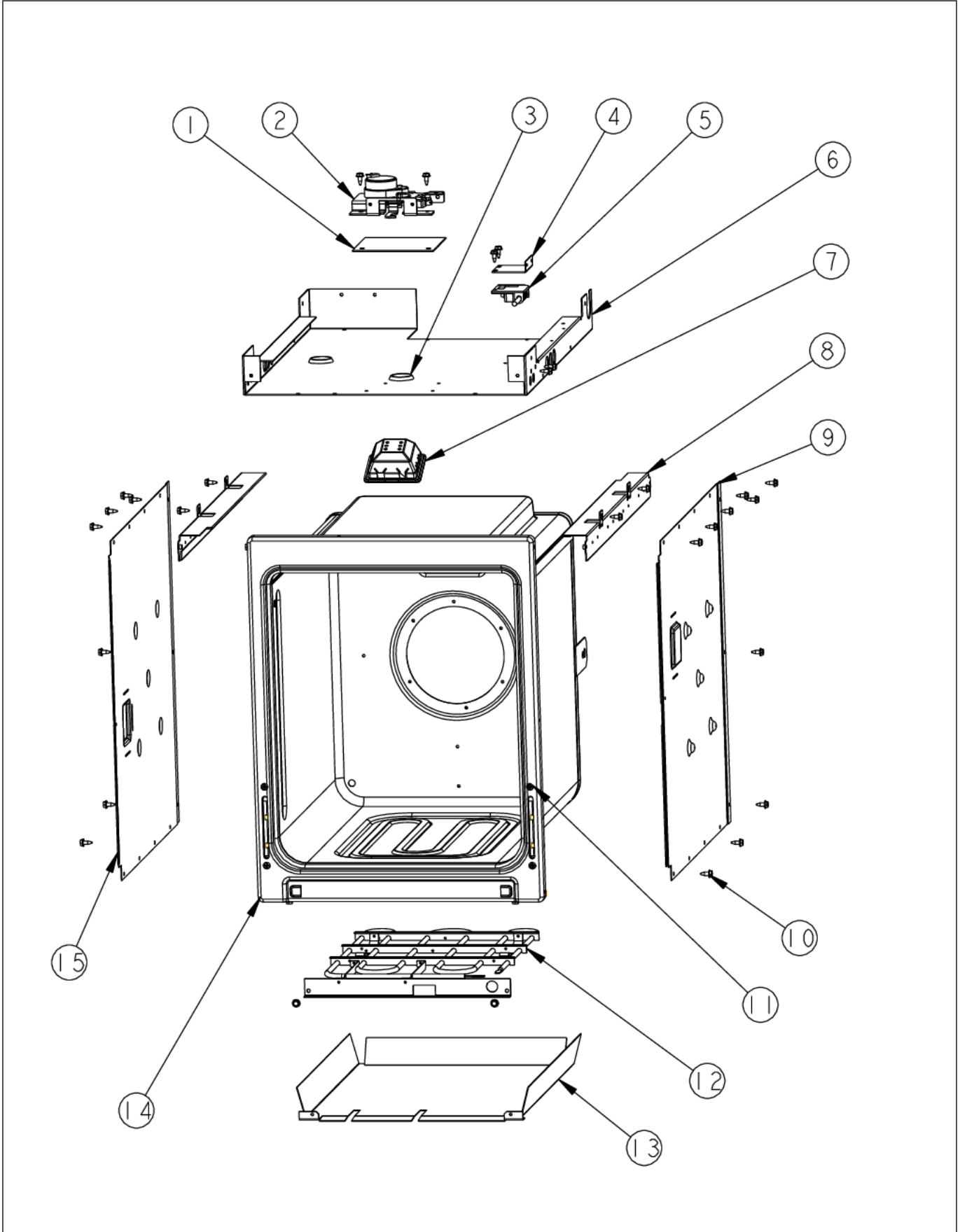
NON
ILLUSTRATED PART





Item	Part No.	Name	Qty	Uom	NOTES
NI	011724-000	HARNESS, WIRING, VDSC548" - LH OVEN	1	EA	
Not Shown	NOTE	(BEFORE 7/29/10)		EA	
NI	020018-000	HARNESS, WIRING - LH OVEN	1	EA	
Not Shown	NOTE	(FROM 7/29/10 THRU 8/12/13)		EA	
NI	038692-000	HARN, MAIN, OVEN, LH	1	EA	
Not Shown	NOTE	(ON OR AFTER 08/12/13)		EA	
NI	023107-000	ADAPTER, LT, ASM, SINGLE TO TRIPLE	1	EA	
Not Shown	NOTE	(ON OR AFTER 7/29/10)		EA	
NI	024870-000	RIBBON CABLE, LH	1	EA	

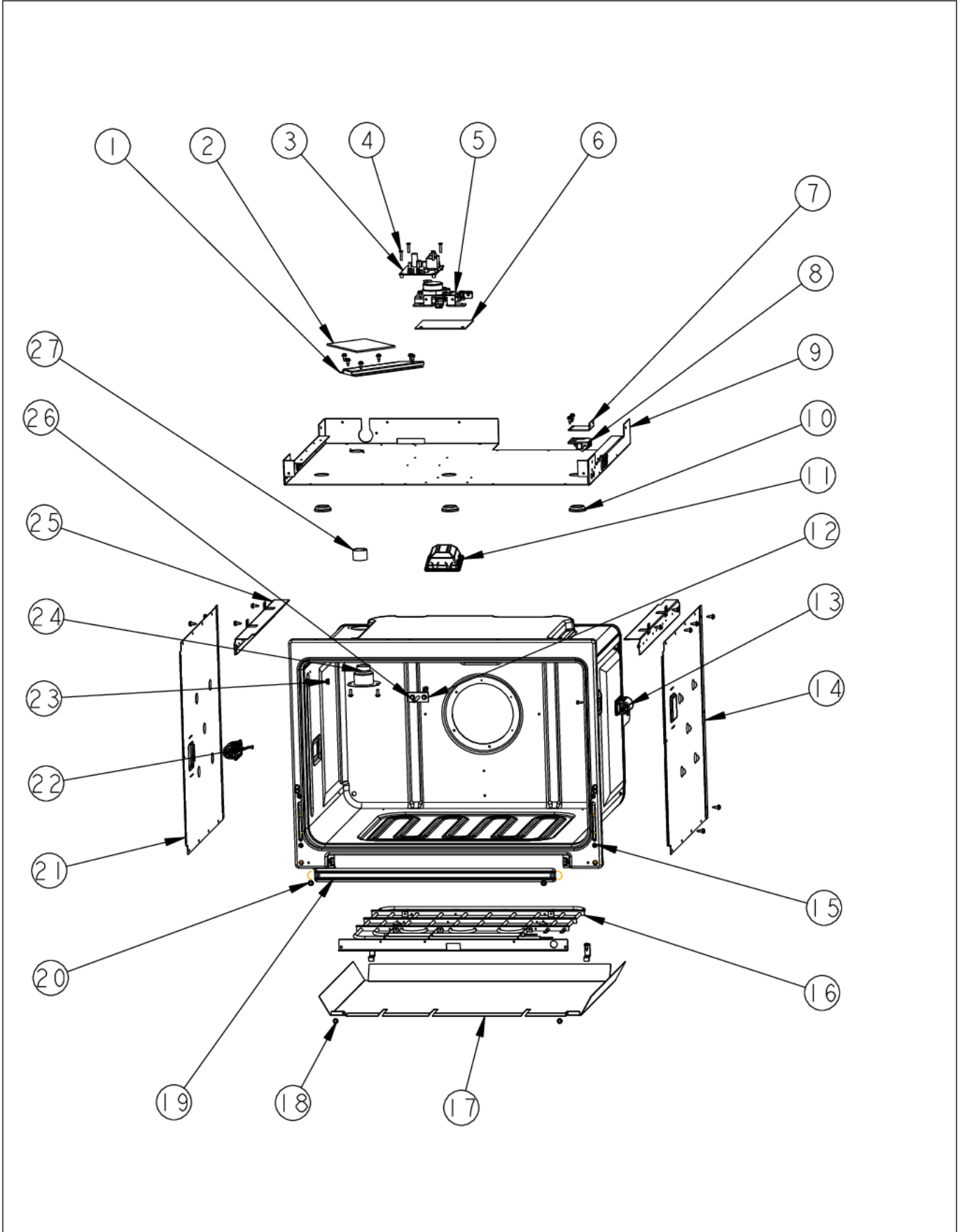
OVEN MODULE LT



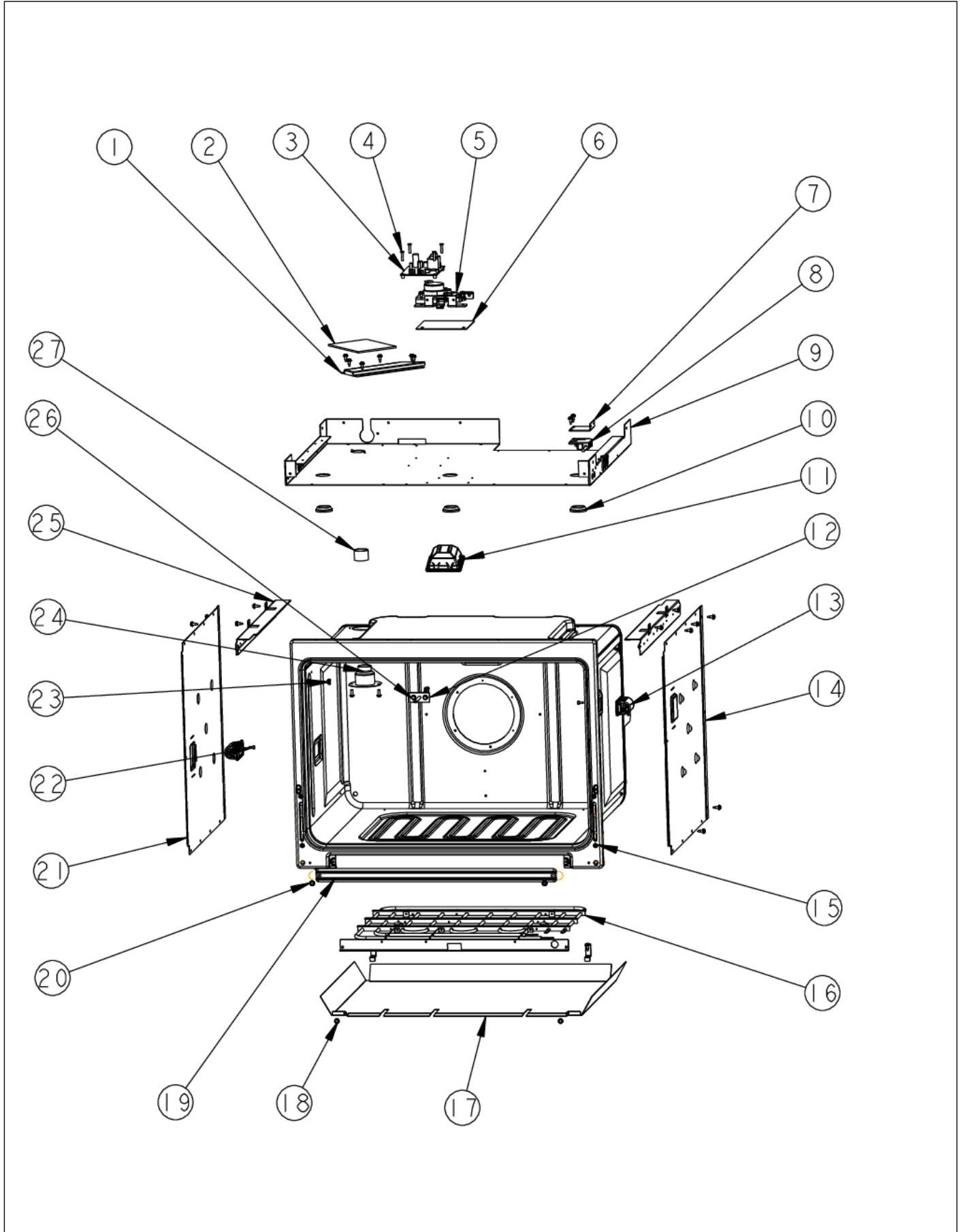


Item	Part No.	Name	Qty	Uom	NOTES
1	PB070321	Lower Latch Insulation	1	EA	
2	013250-000	LATCH,DOOR,ASM,240V,GRID DLE LOCKOUT	1	EA	
Not Shown	NOTE	(BEFORE 10/31/13)		EA	
2	039293-000	LATCH, ELEC, 240V, ASSY	1	EA	
Not Shown	NOTE	(ON OR AFTER 10/31/13)		EA	
3	PB070079	SILICONE EXTRUSION (DGSU)	2	EA	
4	A20012649	DOOR SWITCH BRACKET	1	EA	
5	PE050208	DOOR SWITCH	1	EA	
6	006195-000	OVEN, MDL, TOP, FLAT, VDSC18"	1	EA	
7	020403-000	BJB SLIMLINE 40W BULB	1	EA	
8	A2009641	BRKT, TOP WRAPPER	2	EA	
9	A2009622	BRKT, TOP WRAPPER, RIGHT	1	EA	Not available online / Call for pricing and availability
10	003860-000	FASTENER,SCR,HXWH,STL,ZP LT,10-18 x .500	32	EA	
11	PD020062	#8-32 X 3/8 PHMS TYPE 1	1	EA	
12	006166-000	ELEMENT, BAKE, VDSC18"	1	EA	
13	006163-000	ELEMENT, MTG, FLAT,TRAY,VDSC18"	1	EA	
14	NON REPLACEBLE	OVEN CAVITY, ASM 18" (002721-000)	1	EA	
15	A20012650	BRKT, TOP WRAPPER LEFT	1	EA	Not available online / Call for pricing and availability
16	PD020032	SRW-8(A)X3/8"PH.WFR HD 7/16DIA*NICL	1	EA	
NI	031679-000	RECEPTACLE, HINGE	2	EA	

OVEN MODULE RT



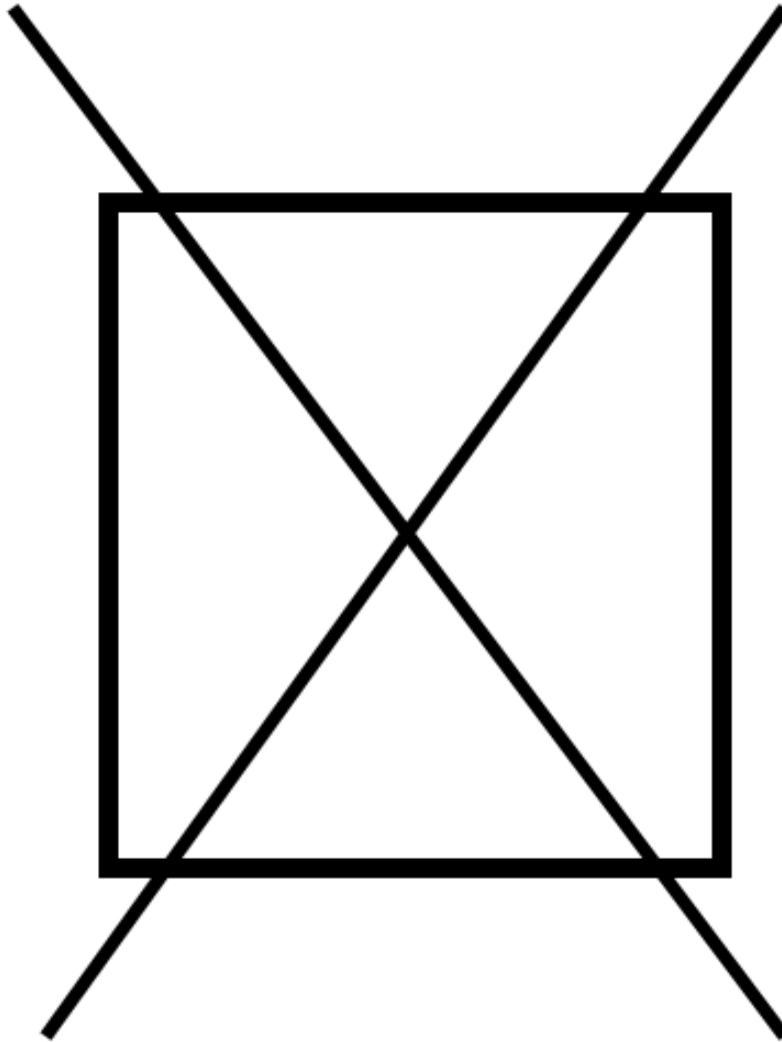
Item	Part No.	Name	Qty	Uom	NOTES
1	003333-000	DUCT, FLUE	1	EA	
2	004285-000	INSULATION, FOIL-BACKED,4"x5"	1	EA	
3	PA020056	NLA - See TC-0063D-SP for kit number (see comments)	1	EA	
Not Shown	NOTE	(BEFORE 01/05/11)		EA	
3	023651-000	DSI120-2-LVS	1	EA	
Not Shown	NOTE	(ON OR AFTER 01/05/11)		EA	
4	PD020043	#6-32 X .750 PH. CTRSK T(F)-VGSO166	4	EA	
5	013250-000	LATCH,DOOR,ASM,240V,GRID DLE LOCKOUT	1	EA	
Not Shown	NOTE	(BEFORE 10/31/13)		EA	
5	039293-000	LATCH, ELEC, 240V, ASSY	1	EA	
Not Shown	NOTE	(ON OR AFTER 10/31/13)		EA	
6	PB070321	Lower Latch Insulation	1	EA	
7	A20012649	DOOR SWITCH BRACKET	1	EA	
8	PE050208	DOOR SWITCH	1	EA	
9	002754-000	RANGE TOP BRACE, AIR CHANNEL	1	EA	
10	PB070079	SILICONE EXTRUSION (DGSU)	3	EA	
11	020403-000	BJB SLIMLINE 40W BULB	1	EA	
12	PE050206	RTD THERMOSTAT PROBE	1	EA	
13	005311-000	LAMP, OVEN, 120V/25W	2	EA	
14	A2009622	BRKT, TOP WRAPPER, RIGHT	1	EA	Not available online / Call for pricing and availability
15	PD020062	#8-32 X 3/8 PHMS TYPE 1	1	EA	
16	PJ010048	BAKE ELEMENT	1	EA	
17	003818-000	OVEN BOTTOM, BACK WRAP ASSY - NLA	1	EA	NO LONGER AVAILABLE
18	003860-000	FASTENER,SCR,HXWH,STL,ZP LT,10-18 x .500	37	EA	
19	E9109655	COVER, BAKE TRAY	1	EA	





Item	Part No.	Name	Qty	Uom	NOTES
20	PD020063	SCREW-#8(A) X 3/8"PH WFR HD/BK OXID	1	EA	
21	A20012650	BRKT, TOP WRAPPER LEFT	1	EA	Not available online / Call for pricing and availability
22	PD020067	#6 X 3/8" PAN PHIL. TEK *SS*	1	EA	
23	E91014053	PORCELAIN 25/64" HOLE PLUG	1	EA	Not available online / Call for pricing and availability
24	PM010014	SMOKE ELIMINATOR (VDSC)	1	EA	
25	A2009641	BRKT, TOP WRAPPER	2	EA	
26	PD020048	NO.10 X 1/2 TEK 410 SS SCREW	1	EA	
27	PB020275	VENT TUBE	1	EA	
28	PD020232	NO.8 X 3/4 PH PAN HEAD TEK SCREW (BLACK OXIDE)	1	EA	
NI	031679-000	RECEPTACLE, HINGE	2	EA	

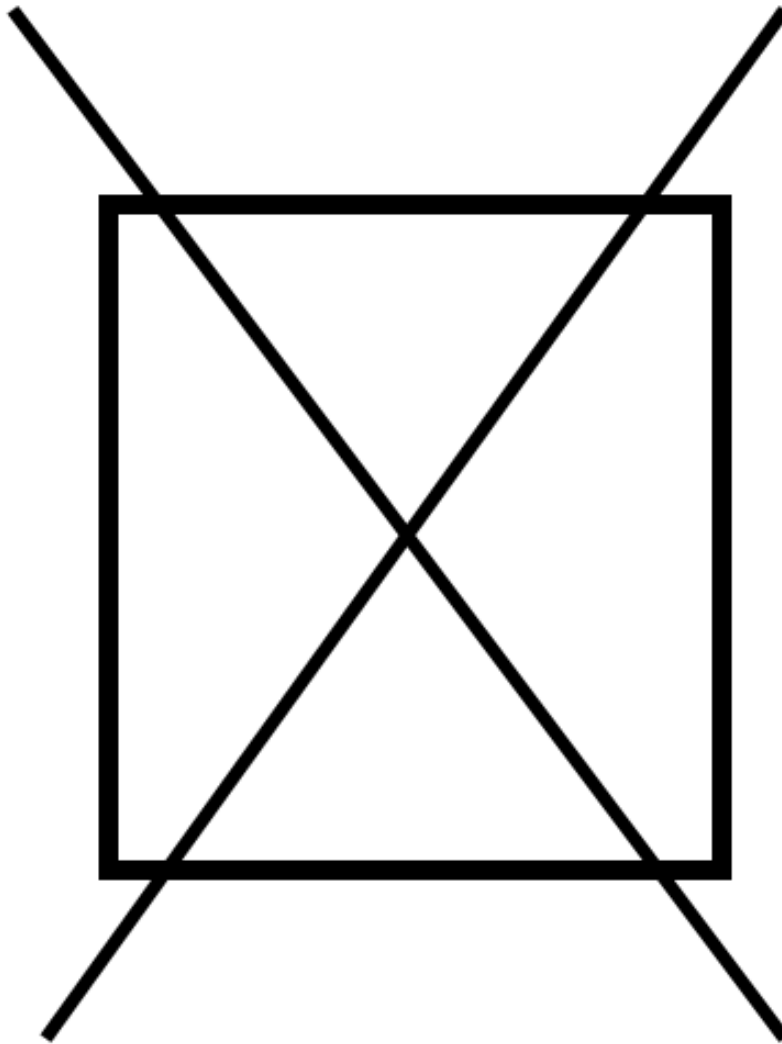
NON
ILLUSTRATED PART





Item	Part No.	Name	Qty	Uom	NOTES
NI	004132-000	OVEN HARNESS - NLA	1	EA	
Not Shown	NOTE	(BEFORE 06/14/10)		EA	
NI	021182-000	MAIN OVEN HARNESS - NLA	1	EA	
<p>Comments for Part Num. 021182-000</p> <p>bradleysapplianceservice@shaw.ca on Apr 27, 2016</p> <p>SUBS TO: 024871-000 MAIN OVEN HARNESS</p>					
Not Shown	NOTE	(06/14/10 THRU 12/6/10)		EA	
NI	024871-000	MAIN HARNESS	1	EA	
Not Shown	NOTE	(ON OR AFTER 12/6/10)		EA	
NI	024869-000	RIBBON CABLE, RH	1	EA	

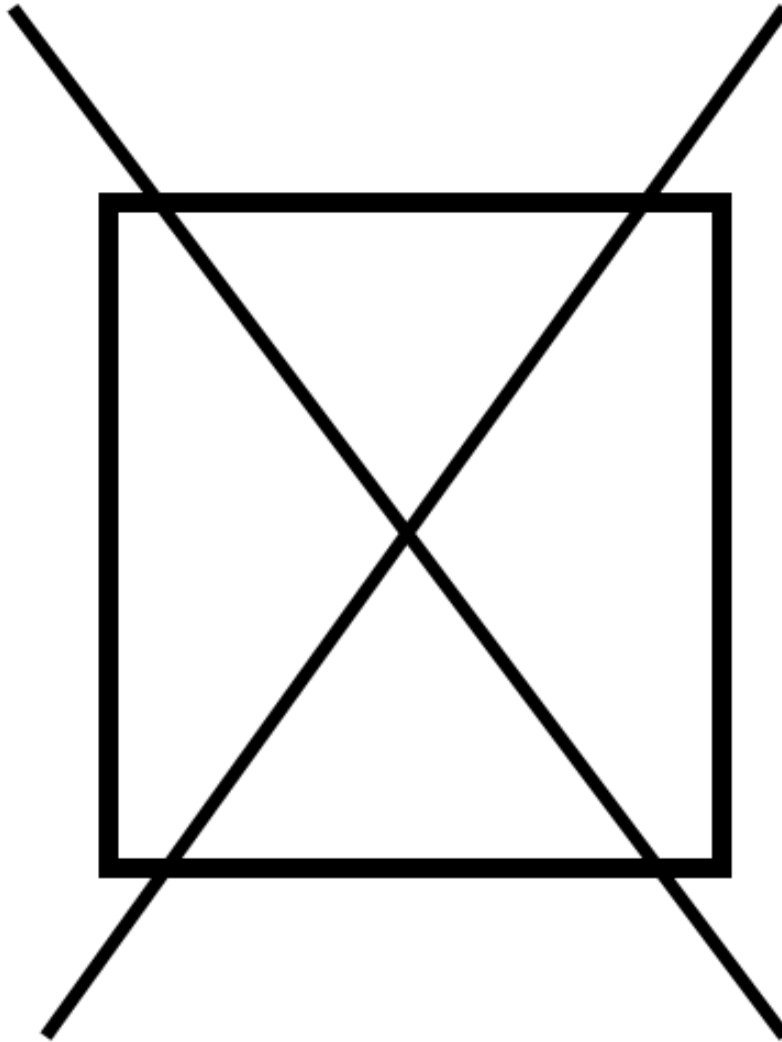
NON
ILLUSTRATED PART





Item	Part No.	Name	Qty	Uom	NOTES
NI	013371-000	HARNESS, POWER, JUMPER, VDSC548	1	EA	

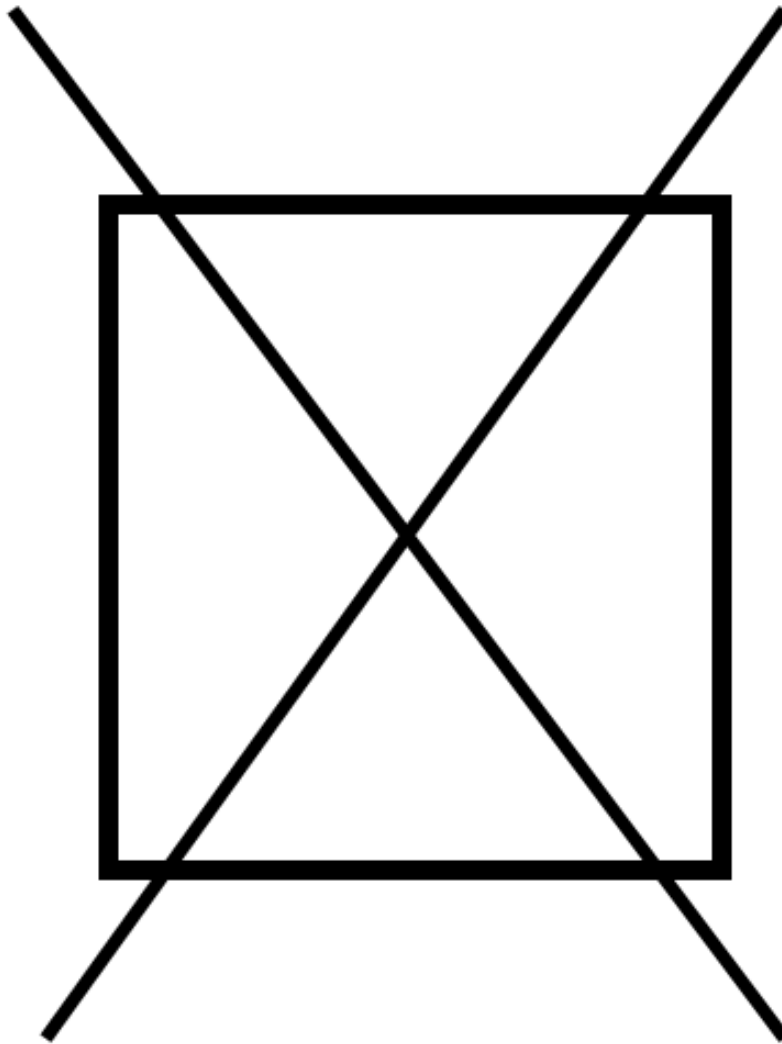
NON
ILLUSTRATED PART





Item	Part No.	Name	Qty	Uom	NOTES
NI	005292-000	HARN,HEADER, MODEL 5 (SEE MODEL_HEADER)	1	EA	
Not Shown	NOTE	(BEFORE 7/29/10)		EA	
NI	023024-000	HARN, HEADER, MODEL 16 (SEE MODEL_HEADER)	1	EA	
Not Shown	NOTE	(ON OR AFTER 7/29/10)		EA	

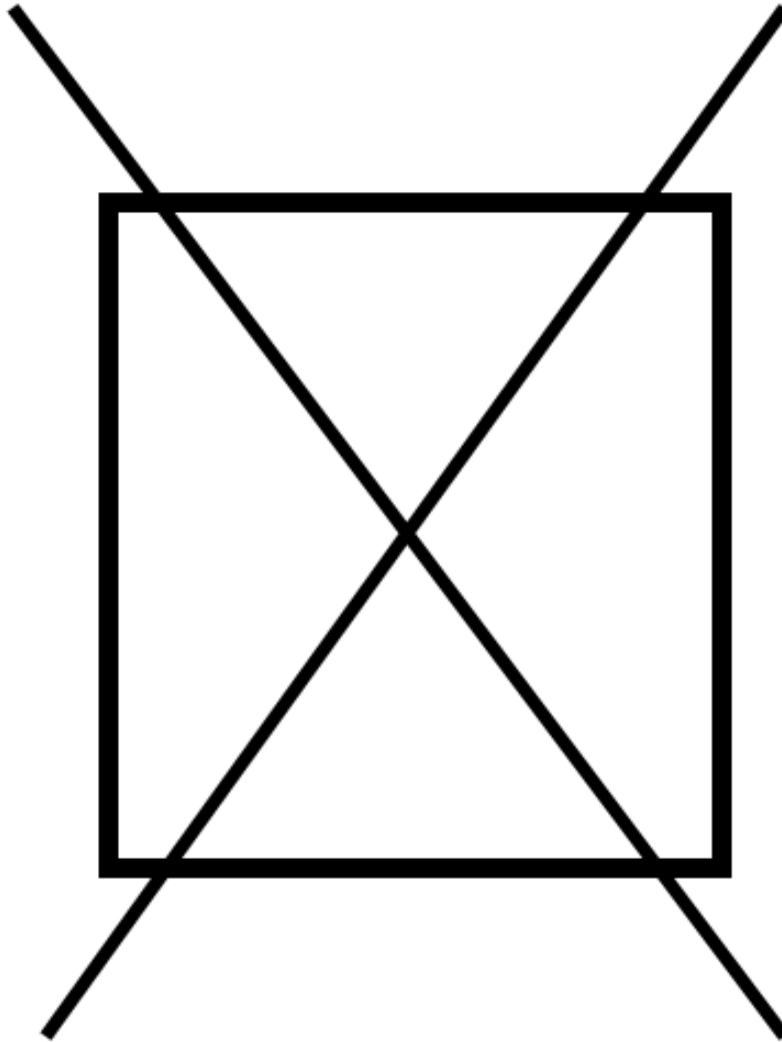
NON
ILLUSTRATED PART





Item	Part No.	Name	Qty	Uom	NOTES
NI	PE070734	HARN, HEADER, MODEL 14 (SEE (MODEL_HEADER)	2	EA	
Not Shown	NOTE	(BEFORE 7/29/10)		EA	

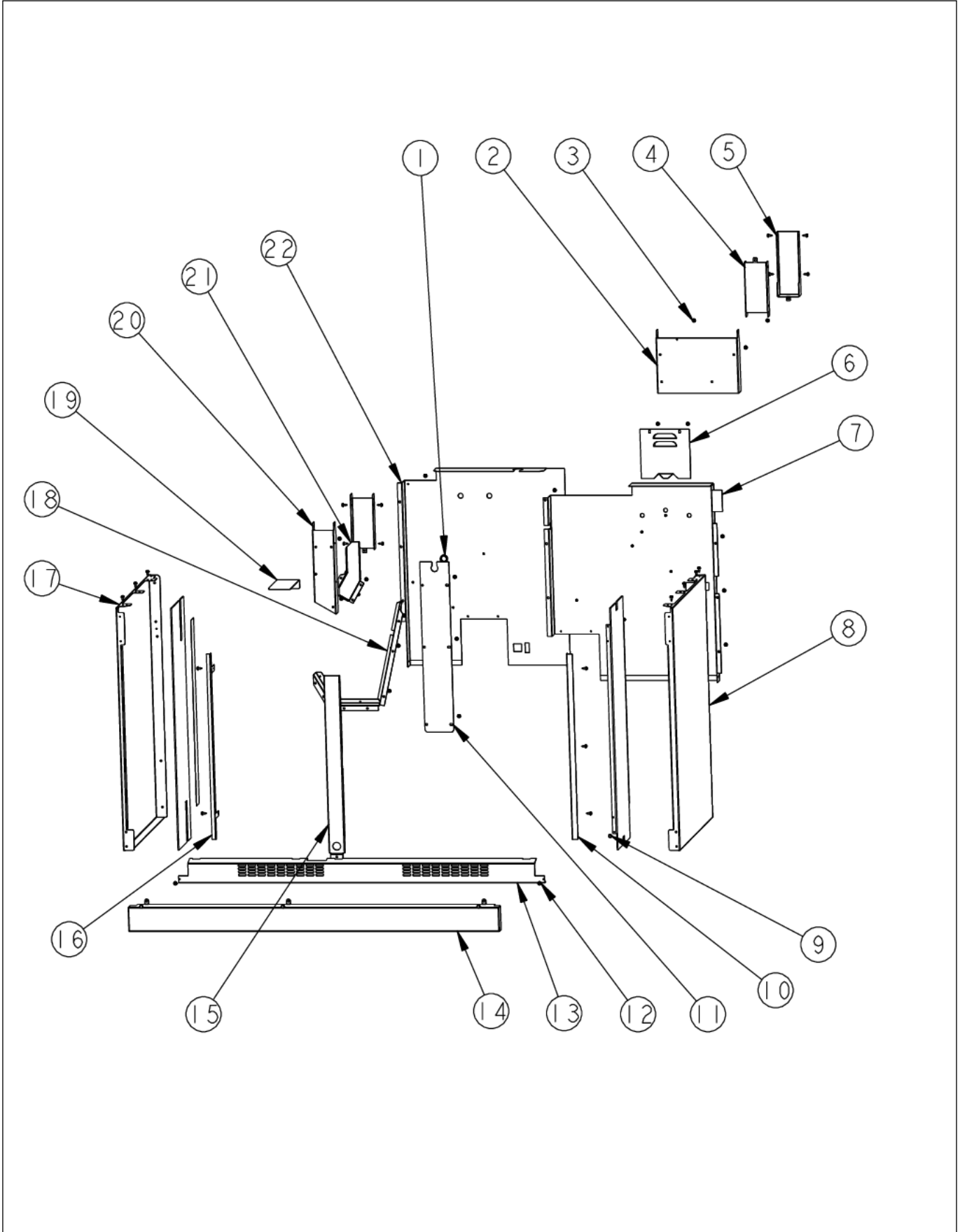
NON
ILLUSTRATED PART



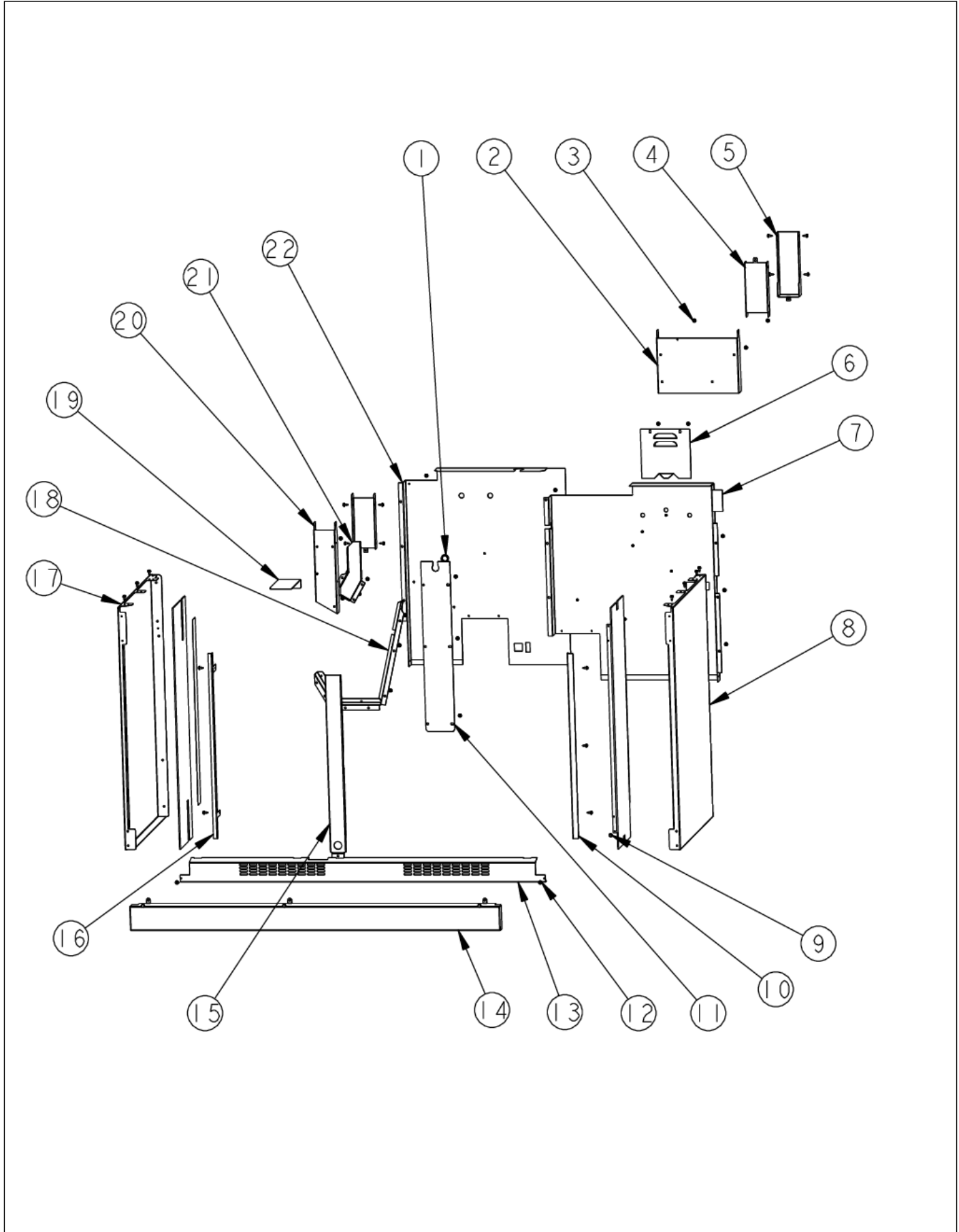


Item	Part No.	Name	Qty	Uom	NOTES
NI	013272-000	HARNESS, TEST, VDSC548, 560	1	EA	

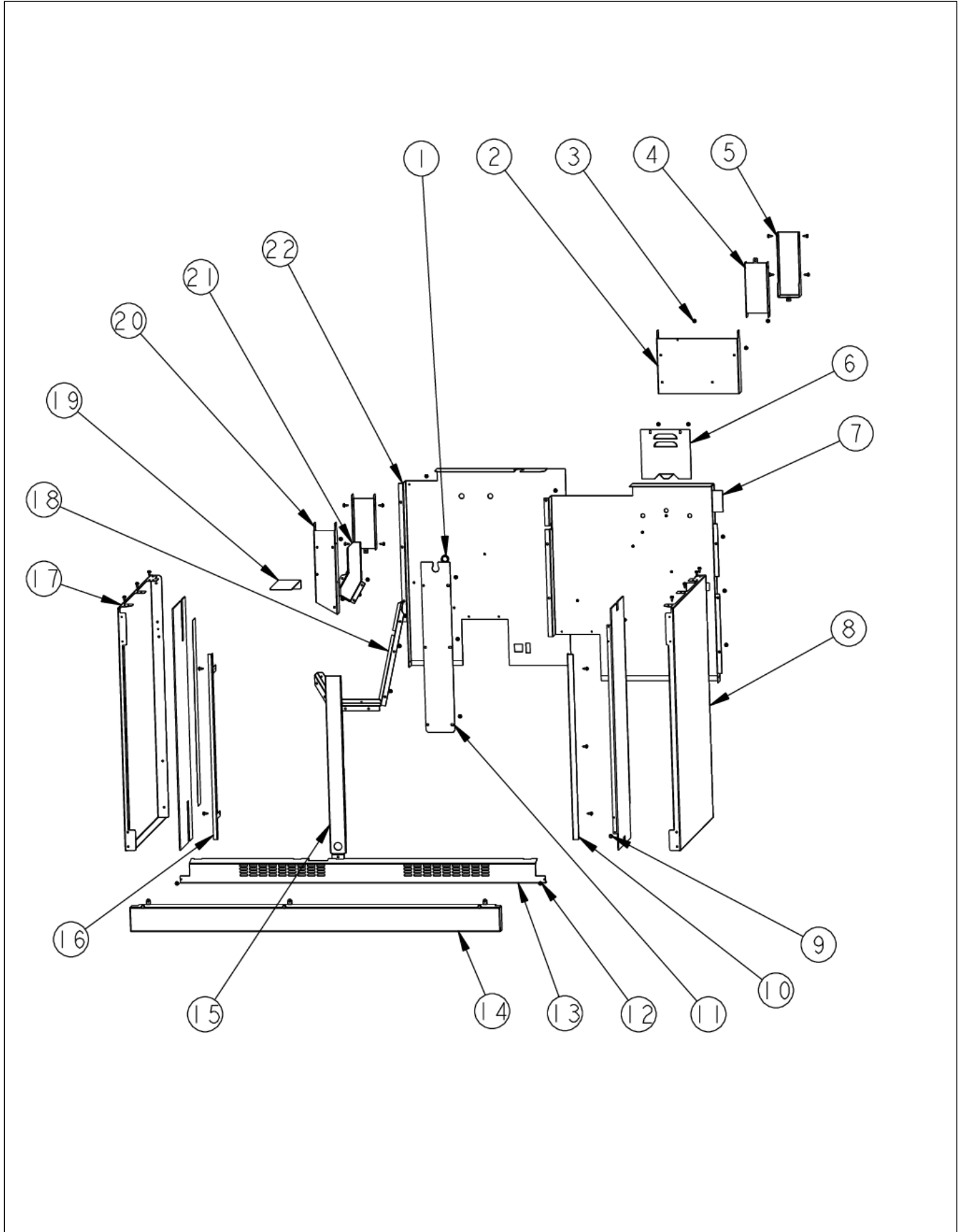
TRIM



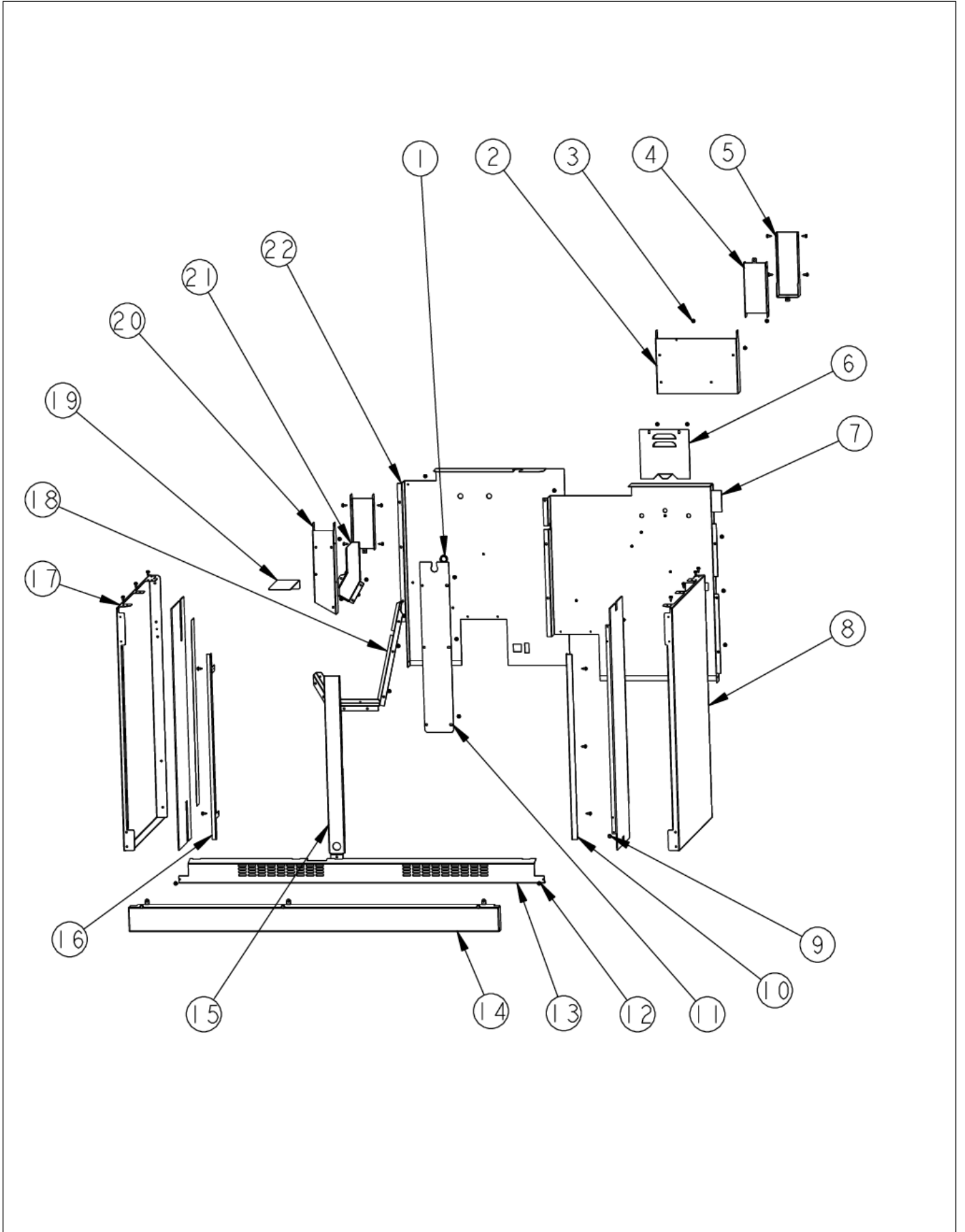
Item	Part No.	Name	Qty	Uom	NOTES
1	PD040005	SNAP BUSHING, 7/8"	1	EA	
2	003681-000	DUCT, AIR	1	EA	
3	003860-000	FASTENER,SCR,HXWH,STL,ZP LT,10-18 x .500	66	EA	
4	A20010102	FLUE, CENTER EXTENDED	2	EA	
5	A20010101	FLUE, OUTSIDE SHELL	1	EA	
6	A2002454	BACK, COVER ACCESS DOOR	1	EA	
7	003272-000	COVER, BACK- INTERNATIONAL	1	EA	
8	003802-000	SIDE PANEL ASSY, RH, SST	1	EA	
8	005503-002	SIDE PANEL, RH ASSY, PAINTED BK	1	EA	
8	005503-005	SIDE PANEL, RH ASSY, PAINTED GG	1	EA	
8	005503-006	SIDE PANEL, RH ASSY, PAINTED WH	1	EA	
8	005503-008	SIDE PANEL, RH ASSY, PAINTED BU	1	EA	
8	005503-013	SIDE PANEL, RH ASSY, PAINTED CB	1	EA	
8	005503-024	SIDE PANEL, RH ASSY, PAINTED AR	1	EA	
9	PD020032	SRW-8(A)X3/8"PH.WFR HD 7/16DIA*NICL	4	EA	
10	003644-000	TRIM,FRONT,SIDE,STAINLESS	1	EA	
11	006400-000	PLATE, BACK, CTR, VDSC48"	1	EA	
12	003801-000	SHOULDER SCREW, #10	2	EA	
13	051834-000	GRILL, ACS, LWR, 48"	1	EA	
13	006802-005	COVER, ACS, LWR-VDSC548- GG	1	EA	
14	006300-000	KICKPLATE,RNG,SST,VDSC548	1	EA	
Not Shown	NOTE	BEFORE 09/25/12)		EA	
14	038433-000	KICKPLATE,RNG,SST,VDSC48	1	EA	
Not Shown	NOTE	(ON OR AFTER 09/25/12)		EA	
14	038434-002	KICKPLATE, RNG, VDSC48" BK	1	EA	



Item	Part No.	Name	Qty	Uom	NOTES
14	038434-003	KICKPLATE, RNG, VDSC48" BT	1	EA	Not available online / Call for pricing and availability
14	038434-004	KICKPLATE, RNG, VDSC48" SG	1	EA	Not available online / Call for pricing and availability
14	038434-005	KICKPLATE, RNG, VDSC48" GG	1	EA	
14	038434-006	KICKPLATE, RNG, VDSC48" WH	1	EA	Not available online / Call for pricing and availability
14	038434-008	KICKPLATE, RNG, VDSC48" BU	1	EA	
14	038434-009	KICKPLATE, RNG, VDSC48" LE	1	EA	Not available online / Call for pricing and availability
14	038434-010	KICKPLATE, RNG, VDSC48" MJ	1	EA	Not available online / Call for pricing and availability
14	038434-012	KICKPLATE, RNG, VDSC48" VB	1	EA	Not available online / Call for pricing and availability
14	038434-013	KICKPLATE, RNG, VDSC48" CB	1	EA	
14	038434-015	KICKPLATE, RNG, VDSC48" PL	1	EA	Not available online / Call for pricing and availability
14	038434-016	KICKPLATE, RNG, VDSC48" CH	1	EA	Not available online / Call for pricing and availability
14	038434-017	KICKPLATE, RNG, VDSC48" TP	1	EA	Not available online / Call for pricing and availability
14	038434-018	KICKPLATE, RNG, VDSC48" CW	1	EA	Not available online / Call for pricing and availability
14	038434-019	KICKPLATE, RNG, VDSC48" OG	1	EA	Not available online / Call for pricing and availability
14	038434-020	KICKPLATE, RNG, VDSC48" GM	1	EA	Not available online / Call for pricing and availability



Item	Part No.	Name	Qty	Uom	NOTES
14	038434-021	KICKPLATE, RNG, VDSC48" SA	1	EA	Not available online / Call for pricing and availability
14	038434-022	KICKPLATE, RNG, VDSC48" SE	1	EA	
14	038434-023	KICKPLATE, RNG, VDSC48" IB	1	EA	
14	038434-024	KICKPLATE, RNG, VDSC48" AR	1	EA	
14	038434-025	KICKPLATE, RNG, VDSC48" RR	1	EA	Not available online / Call for pricing and availability
14	038434-026	KICKPLATE, RNG, VDSC48" PM	1	EA	Not available online / Call for pricing and availability
14	038434-027	KICKPLATE, RNG, VDSC48" MS	1	EA	Not available online / Call for pricing and availability
15	006750-000	RANGE, TRIM, CTR, VDSC548	1	EA	
16	010956-000	OVEN,TRIM,LH,SST,FLAT,VDS C548	1	EA	
17	007992-000	RANGE,PNL,ASM,LH,SIDE,VDS C548	1	EA	
17	013365-002	SIDE PANEL ASM, LH 48" BK	1	EA	Not available online / Call for pricing and availability
17	013365-005	SIDE PANEL ASM, LH 48"-GG	1	EA	Not available online / Call for pricing and availability
17	013365-006	SIDE PANEL ASM, LH 48" WH	1	EA	
17	013365-008	SIDE PANEL ASM, LH 48" BU	1	EA	Not available online / Call for pricing and availability
17	013365-013	SIDE PANEL ASM, LH 48" CB	1	EA	
17	013365-024	SIDE PANEL ASM, LH 48"-AR	1	EA	
18	007248-000	BAFFLE, FAN, REAR, VDSC18"	1	EA	
19	007793-000	PLATE, SVCE,FLAT,REGULATOR,VDSC 548	1	EA	
20	007188-000	DUCT, AIR, REAR, VDSC18"	1	EA	
21	007441-000	EXHAUST, DUCT, REAR, VDSC18"	1	EA	





Item	Part No.	Name	Qty	Uom	NOTES
22	007504-000	COVER, BACK, VDSC18"	1	EA	Not available online / Call for pricing and availability
NI	A2002654	ANTI-TIP DEVICE (VDSC)	1	EA	
NI	034927-000	BRACKET, ANTI-TIP	1	EA	
NI	034928-000	BRACKET, HOOK, ANTI-TIP	1	EA	



Appendix A:Pages Index

BAKE EL HARN 1
BAKE ELEM LT HARN 2
BASE MODULE 3
BURNER BOX 4
BURNER SURFACE 5
COMM HARN 6
CONTROL PANEL 7
CP HARN 8
DOOR ASSY LT 9
DOOR ASSY RT 10
DSI HARN 11
FAN ASSY LT 12
FAN ASSY RT 13
GRDL HARN 14
IRIS HARN 15
IRIS PWR HARN 16
JUMPER 17
LH HEADER 18
LIGHT SW HARN 19
LIMIT JUMPER 20
OVEN INTERIOR 21
OVEN LT HARN 22
OVEN MODULE LT 23
OVEN MODULE RT 24
OVEN RT HARN 25
PWR HARN 26
RH HEADER 27
SINGLE OVEN HEADER 28
TEST HARN 29
TRIM 30



Appendix B:Parts Index

000594-000	9, 10	003802-000	30
000647-000	15	003818-000	13, 24
000915-000	3, 20	003860-000	3, 4, 5, 12, 13, 23, 24, 30
001394-041	4	004021-000	5
001394-042	4	004110-000	13
001394-044	4	004132-000	25
001394-046	4	004133-000	8
002406-000	3	004152-000	10
002709-000	9	004153-000	10
002709-402	9	004176-000	10
002724-000	10	004285-000	24
002726-000	10	004295-000	16
002728-000	10	004907-000	9, 10
002732-000	10	005269-000	7
002740-000	10	005270-000	7
002754-000	24	005271-000	7
002755-000	4	005292-000	27
002884-000	4	005300-000	9
002920-000	5	005311-000	24
002923-000	4	005458-000	12
002941-000	13	005503-002	30
003011-000	9, 10	005503-005	30
003011-100	9, 10	005503-006	30
003012-000	9, 10	005503-008	30
003012-100	9, 10	005503-013	30
003053-000	3	005503-024	30
003054-000	3	006154-000	3
003055-000	3	006155-000	3
003272-000	30	006156-000	3
003322-041	5	006158-000	3
003333-000	24	006163-000	23
003356-000	13	006166-000	23
003481-000	4	006167-000	12
003644-000	30	006168-000	12
003649-000	5	006176-000	21
003681-000	30	006195-000	23
003719-000	7	006207-000	9
003761-000	3	006209-000	9
003763-000	3	006213-000	9
003801-000	30	006219-000	9
		006220-000	9



006221-000	9	007441-000	30
006223-000	9	007504-000	30
006225-000	9	007793-000	30
006226-000	9	007794-000	12
006226-100	9	007992-000	30
006227-000	9	008276-000	9
006227-100	9	008300-000	4
006234-000	3	008461-000	4
006240-000	4	008464-000	4
006300-000	30	008465-000	4
006313-000	4	008742-000	4
006379-000	21	008904-000	4
006380-000	21	009111-000	4
006400-000	30	009197-000	5
006424-000	7	009267-000	4
006570-000	7	009402-000	4
006748-000	21	009426-000	9
006750-000	30	009427-000	9
006760-000	4	009428-000	9
006763-000	4	009645-000	18
006766-000	15	009665-000	14
006780-000	4	010956-000	30
006783-000	4	011178-000	9
006785-000	4	011724-000	22
006787-000	10	011729-000	6
006788-000	10	012828-000	11
006802-002	3	013213-000	7
006802-005	30	013250-000	23, 24
006804-000	10	013272-000	29
006804-100	10	013295-000	19
006805-000	10	013355-002	10
006805-100	10	013355-003	10
006807-000	9	013355-004	10
006808-000	9	013355-005	10
006997-000	9	013355-006	10
007147-000	4	013355-007	10
007188-000	30	013355-008	10
007248-000	12, 30	013355-009	10
007323-000	5	013355-010	10
007419-000	12	013355-011	10
007420-000	12	013355-012	10



013355-013	10	013356-002	10
013355-014	10	013356-003	10
013355-015	10	013356-004	10
013355-016	10	013356-005	10
013355-017	10	013356-006	10
013355-018	10	013356-007	10
013355-019	10	013356-008	10
013355-020	10	013356-009	10
013355-021	10	013356-010	10
013355-022	10	013356-011	10
013355-023	10	013356-012	10
013355-024	10	013356-013	10
013355-025	10	013356-014	10
013355-026	10	013356-015	10
013355-027	10	013356-016	10
013355-102	10	013356-017	10
013355-103	10	013356-018	10
013355-104	10	013356-019	10
013355-105	10	013356-020	10
013355-106	10	013356-021	10
013355-107	10	013356-022	10
013355-108	10	013356-023	10
013355-109	10	013356-024	10
013355-110	10	013356-025	10
013355-111	10	013356-026	10
013355-112	10	013356-027	10
013355-113	10	013356-102	10
013355-114	10	013356-103	10
013355-115	10	013356-104	10
013355-116	10	013356-105	10
013355-117	10	013356-106	10
013355-118	10	013356-107	10
013355-119	10	013356-108	10
013355-120	10	013356-109	10
013355-121	10	013356-110	10
013355-122	10	013356-111	10
013355-123	10	013356-112	10
013355-124	10	013356-113	10
013355-125	10	013356-114	10
013355-126	10	013356-115	10
013355-127	10	013356-116	10



013356-117	10	013357-106	9
013356-118	10	013357-107	9
013356-119	10	013357-108	9
013356-120	10	013357-109	9
013356-121	10	013357-110	9
013356-122	10	013357-111	9
013356-123	10	013357-112	9
013356-124	10	013357-113	9
013356-125	10	013357-114	9
013356-126	10	013357-115	9
013356-127	10	013357-116	9
013357-002	9	013357-117	9
013357-003	9	013357-118	9
013357-004	9	013357-119	9
013357-005	9	013357-120	9
013357-006	9	013357-121	9
013357-007	9	013357-122	9
013357-008	9	013357-123	9
013357-009	9	013357-124	9
013357-010	9	013357-125	9
013357-011	9	013357-126	9
013357-012	9	013357-127	9
013357-013	9	013358-002	9
013357-014	9	013358-003	9
013357-015	9	013358-004	9
013357-016	9	013358-005	9
013357-017	9	013358-006	9
013357-018	9	013358-007	9
013357-019	9	013358-008	9
013357-020	9	013358-009	9
013357-021	9	013358-010	9
013357-022	9	013358-011	9
013357-023	9	013358-012	9
013357-024	9	013358-013	9
013357-025	9	013358-014	9
013357-026	9	013358-015	9
013357-027	9	013358-016	9
013357-102	9	013358-017	9
013357-103	9	013358-018	9
013357-104	9	013358-019	9
013357-105	9	013358-020	9



013358-021	9	013408-000	4
013358-022	9	015043-000	7, 7
013358-023	9	015096-000	3, 3
013358-024	9	015357-000	15
013358-025	9	015412-000	10
013358-026	9	015412-402	10
013358-027	9	018200-000	5
013358-102	9	018607-000	13
013358-103	9	018608-000	12
013358-104	9	020018-000	22
013358-105	9	020019-000	8
013358-106	9	020403-000	23, 24
013358-107	9	021143-000	10
013358-108	9	021144-002	10
013358-109	9	021144-003	10
013358-110	9	021144-004	10
013358-111	9	021144-005	10
013358-112	9	021144-006	10
013358-113	9	021144-007	10
013358-114	9	021144-008	10
013358-115	9	021144-009	10
013358-116	9	021144-010	10
013358-117	9	021144-011	10
013358-118	9	021144-012	10
013358-119	9	021144-013	10
013358-120	9	021144-014	10
013358-121	9	021144-015	10
013358-122	9	021144-016	10
013358-123	9	021144-017	10
013358-124	9	021144-018	10
013358-125	9	021144-019	10
013358-126	9	021144-020	10
013358-127	9	021144-021	10
013365-002	30	021144-022	10
013365-005	30	021144-023	10
013365-006	30	021144-024	10
013365-008	30	021144-025	10
013365-013	30	021144-026	10
013365-024	30	021144-027	10
013371-000	26	021182-000	25
013406-000	2	021308-002	9



021308-003	9	024909-000	3
021308-004	9	026397-000	5
021308-005	9	030823-000	9, 10
021308-006	9	031679-000	23, 24
021308-008	9	034927-000	30
021308-009	9	034928-000	30
021308-010	9	035881-000	7
021308-012	9	035883-000	7
021308-013	9	035893-000	7
021308-015	9	035895-000	7, 7
021308-016	9	035898-000	7
021308-017	9	036047-000	3
021308-018	9	036200-000	14
021308-019	9	038417-000	3
021308-020	9	038433-000	30
021308-021	9	038434-002	30
021308-022	9	038434-003	30
021308-023	9	038434-004	30
021308-024	9	038434-005	30
021308-025	9	038434-006	30
021308-026	9	038434-008	30
021308-027	9	038434-009	30
021319-000	17	038434-010	30
021336-000	7, 7	038434-012	30
023024-000	27	038434-013	30
023107-000	22	038434-015	30
023116-000	12, 13	038434-016	30
023325-000	15	038434-017	30
023451-000	5, 5	038434-018	30
023651-000	24	038434-019	30
023825-000	3	038434-020	30
024040-000	21	038434-021	30
024102-000	21	038434-022	30
024221-000	21	038434-023	30
024234-000	21	038434-024	30
024305-000	4	038434-025	30
024398-000	4	038434-026	30
024684-000	4	038434-027	30
024869-000	25	038692-000	22
024870-000	22	039293-000	23, 24
024871-000	25	041509-000	5



042170-2114	7	PB060104	21
044178-000	3	PB060107	21
046142-571	3	PB070079	23, 24
049416-000	5	PB070246	10
049420-000	5	PB070312	12, 13
050172-000	7	PB070321	23, 24
051834-000	30	PC030007	3
066478-402	21	PD010012	4
066479-402	21	PD010028	12, 13
A10012735	12, 13	PD020004	12, 13
A1002457	13	PD020010	4
A20010101	30	PD020014	13
A20010102	30	PD020032	7, 9, 10, 13, 23, 30
A20012640	10	PD020033	9
A20012641	10	PD020043	3, 24
A20012649	23, 24	PD020046	7
A20012650	23, 24	PD020048	12, 13, 21, 24
A2002195	13	PD020055	12, 13
A2002454	30	PD020062	7, 23, 24
A2002654	30	PD020063	9, 10, 24
A2009622	23, 24	PD020067	24
A2009641	23, 24	PD020073	10
A2009659	13	PD020076	4
A2009697	12, 13	PD020232	21, 24
A21012728	12, 13	PD030006	9
E91014053	24	PD030010	9, 10
E9109655	24	PD030149	12, 13
E9109801BK	5	PD030172	3
G32014020	13	PD040004	7
G91013598	13, 21	PD040005	4, 12, 30
L20014077	10	PD040075	5
PA020028	4	PD040164	3
PA020056	24	PE010030	9
PA020058	4	PE050023	7
PA070003	4	PE050072	7
PA080083	5	PE050203	13
PB020192	4	PE050206	4, 24
PB020193	4	PE050208	23, 24
PB020275	24	PE050227	12, 13
PB040190	4	PE050250	13
PB060103	21	PE060090	10



PE060094	10
PE060105	10
PE070147	13
PE070734	28
PE070739	1
PE070891	15
PJ010047	12, 13
PJ010048	24
PJ030033	7
PJ030035	7
PM010014	12, 24