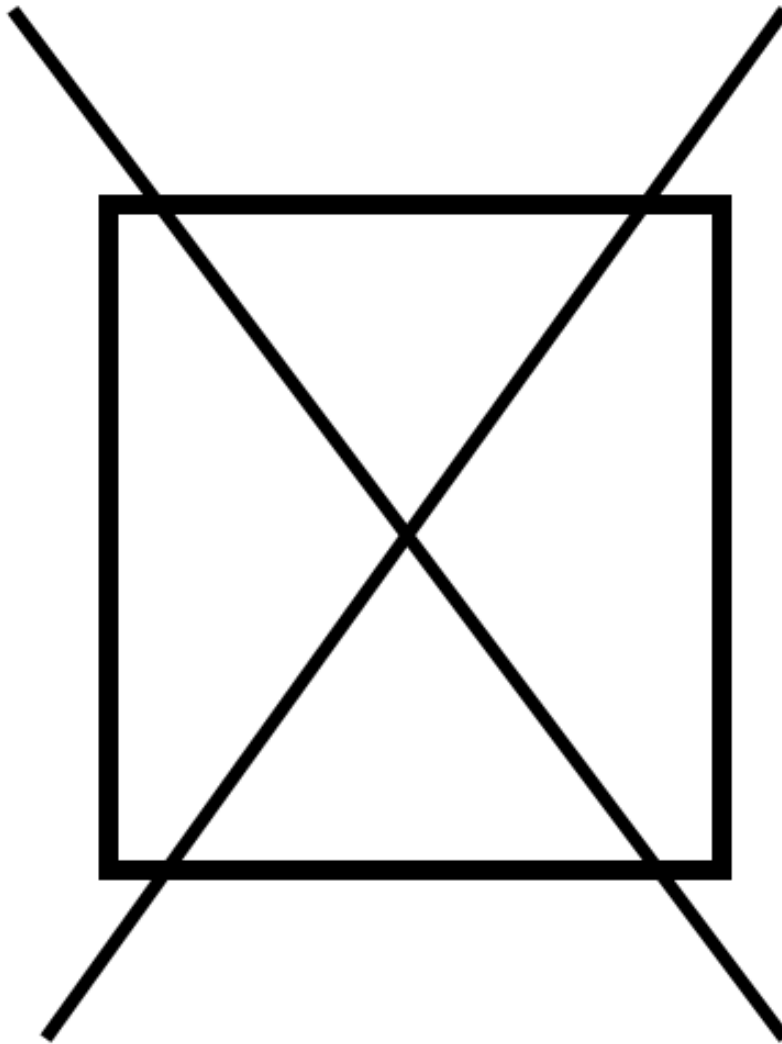


VDSC548-4GQ

BAKE EL HARN	1
BASE MODULE	2
BURNER BOX	3
BURNER SURFACE	4
CONTROL PANEL	5
CP HARN	6
DOOR ASSY LT	7
DOOR ASSY RT	8
FAN ASSY LT	9
FAN ASSY RT	10
IRIS HARN	11
IRIS PWR HARN	12
LH HEADER	13
LIGHT SW HARN	14
LIMIT JUMPER	15
OVEN INTERIOR	16
OVEN LT HARN	17
OVEN MODULE LT	18
OVEN MODULE RT	19
OVEN RT HARN	20
RH HEADER	21
SINGLE OVEN HEADER	22
TEST HARN	23
TRIM	24
Appendix A:Pages Index	A
Appendix B:Parts Index	B

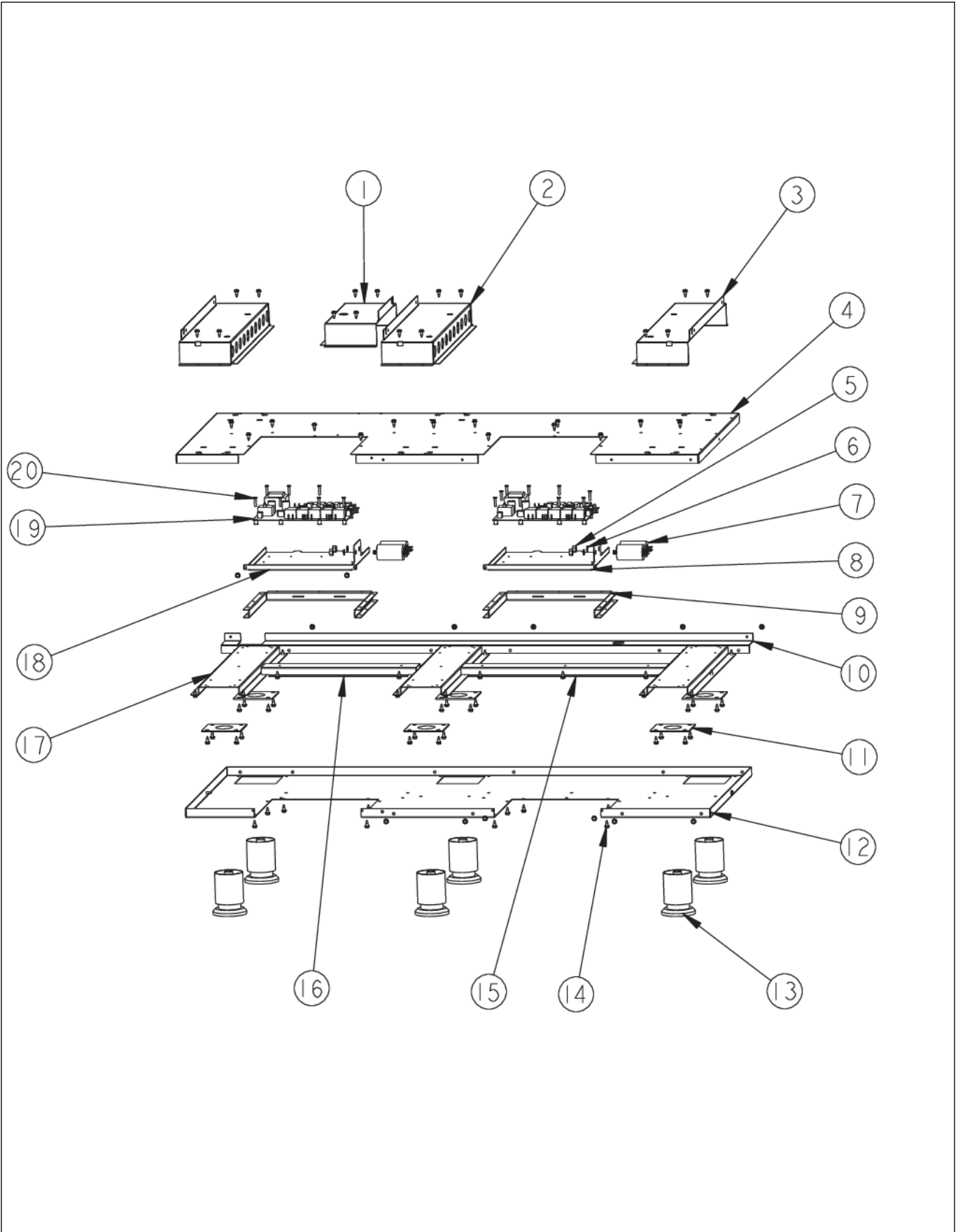
NON ILLUSTRATED PART



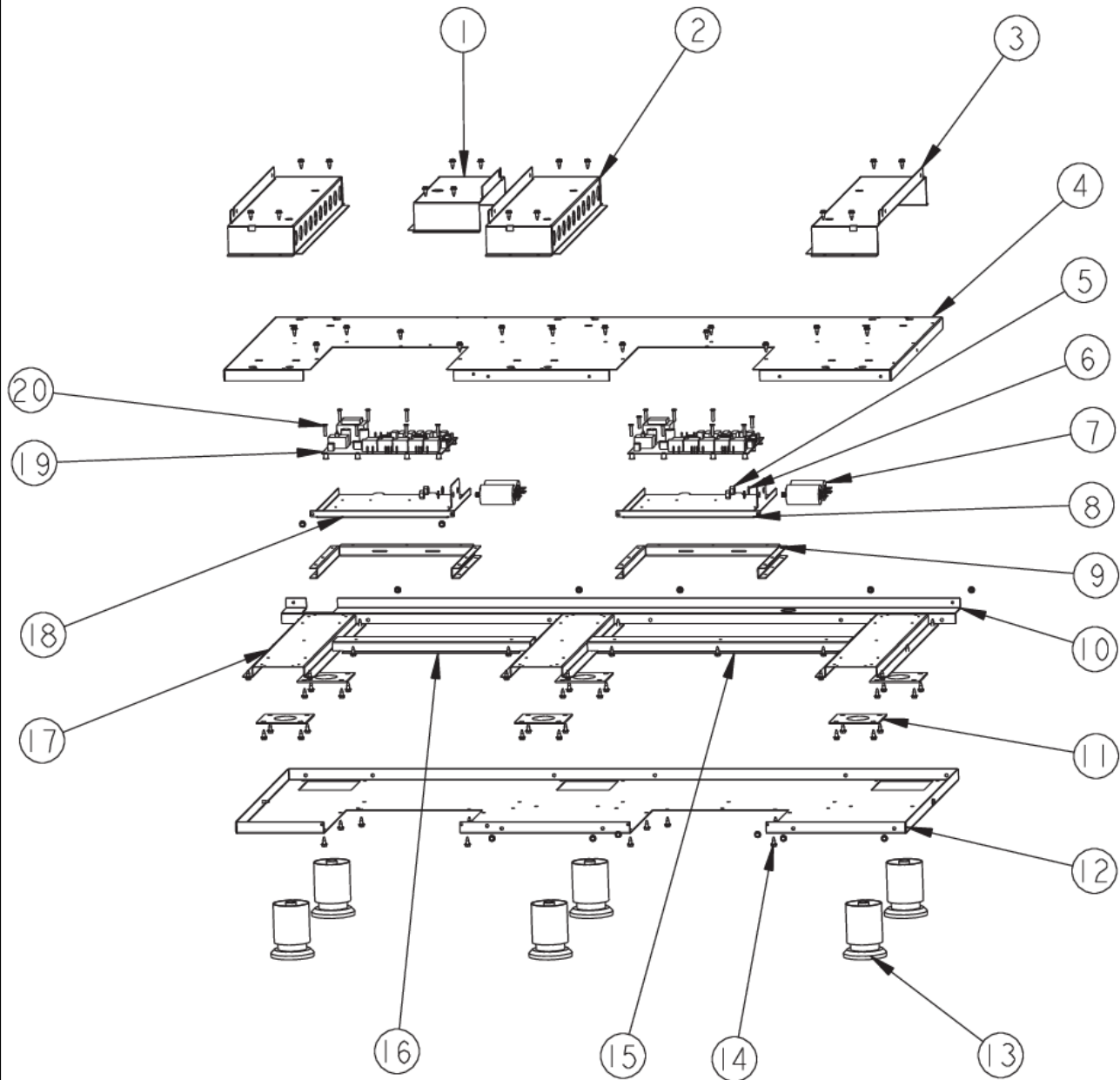


Item	Part No.	Name	Qty	Uom	NOTES
NI	PE070739	BAKE ELEMENT HARNESS	1	EA	

BASE MODULE



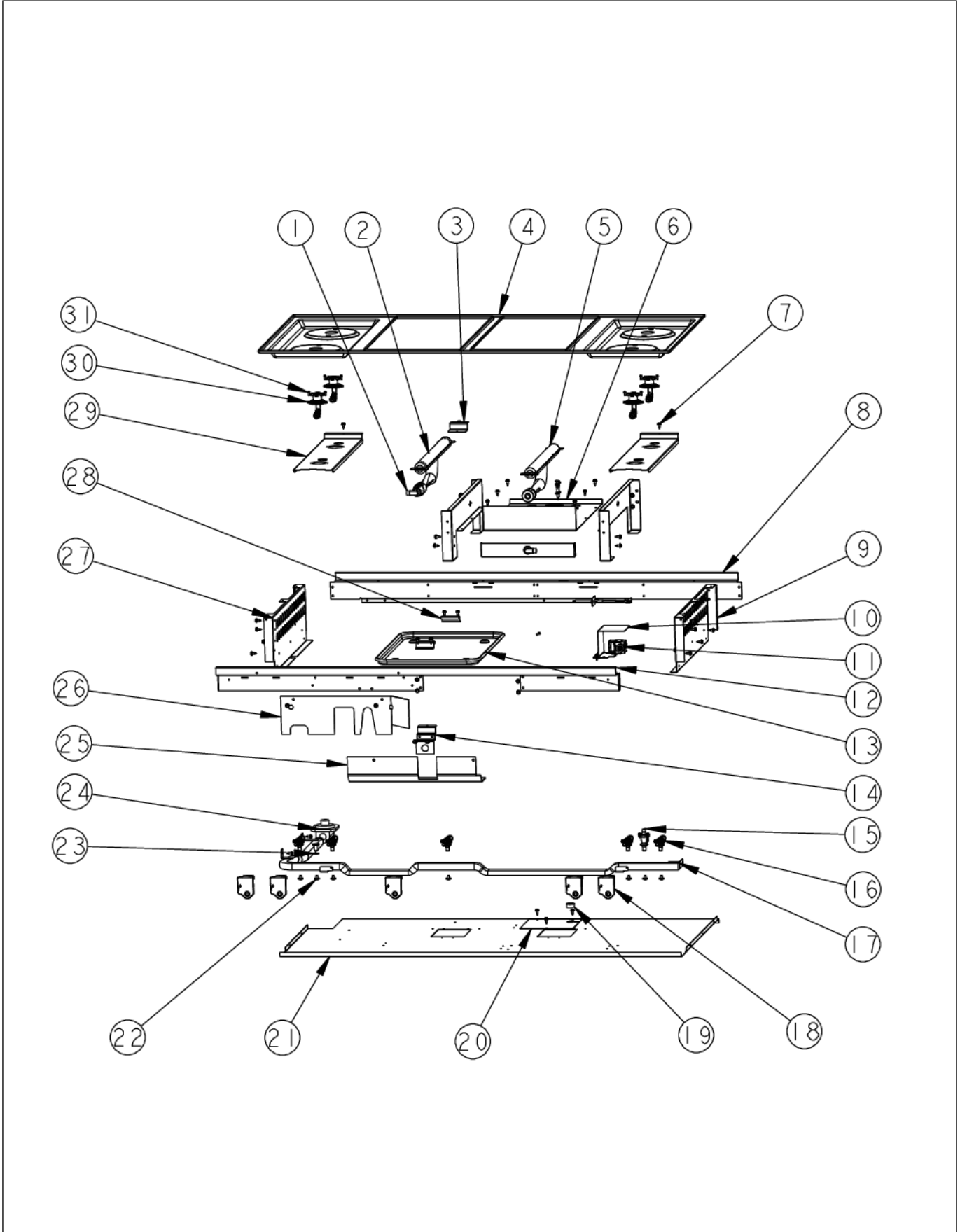
Item	Part No.	Name	Qty	Uom	NOTES
1	006234-000	SUPPORT,OVEN,BOT,RH,VDSC 548	1	EA	
2	003763-000	OVEN MODULE SUPPORT CHANNEL, LH	2	EA	
3	003761-000	OVEN MODULE SUPPORT CHANNEL, RH	1	EA	
4	006155-000	RANGE, BASE, TOP, VDSC548	1	EA	
5	PD030172	M8 X 1.25MM NUT	4	EA	
6	PD040164	5/16 INTERNAL TOOTH LOCK WASHER TYPE A	4	EA	
7	036047-000	CAPACITOR, CONV MOTOR, INTL	4	EA	
8	015096-000	PLATE, MTG, EOC4 CONTROL BOARD	1	EA	
Not Shown	NOTE	(BEFORE 7/29/10)		EA	
NI	023825-000	TRAY, CNTRL, EOC4 SMPS	1	EA	
Not Shown	NOTE	(ON OR AFTER 7/29/10)		EA	
9	003054-000	BASE CENTER CUTOUT STIFFENER	2	EA	
10	006158-000	RANGE BASE, BACK, VDSC 48"	1	EA	
11	PC030007	LEG PLATE - 3/4" THREADED HOLE	6	EA	
12	006154-000	RANGE, BASE, BOT, VDSC548	1	EA	
13	044178-000	RANGE, LEG, ADJUSTABLE	6	EA	
14	003860-000	10-18 x .500 FASTNR,SCR,HXWH,STL,ZPLT	110	EA	
15	003055-000	BASE CENTER SUPPORT CHANNEL	1	EA	
16	006156-000	RANGE, BASE, LH, CROSS SUPPORT, VDSC548	1	EA	
17	003053-000	BASE LEG SUPPORT CHANNEL	3	EA	
18	003050-000	CONTROL BOARD MOUNTING PLATE	1	EA	
Not Shown	NOTE	(BEFORE 7/29/10)		EA	
NI	015096-000	PLATE, MTG, EOC4 CONTROL BOARD	1	EA	
Not Shown	NOTE	(ON OR AFTER 7/29/10)		EA	





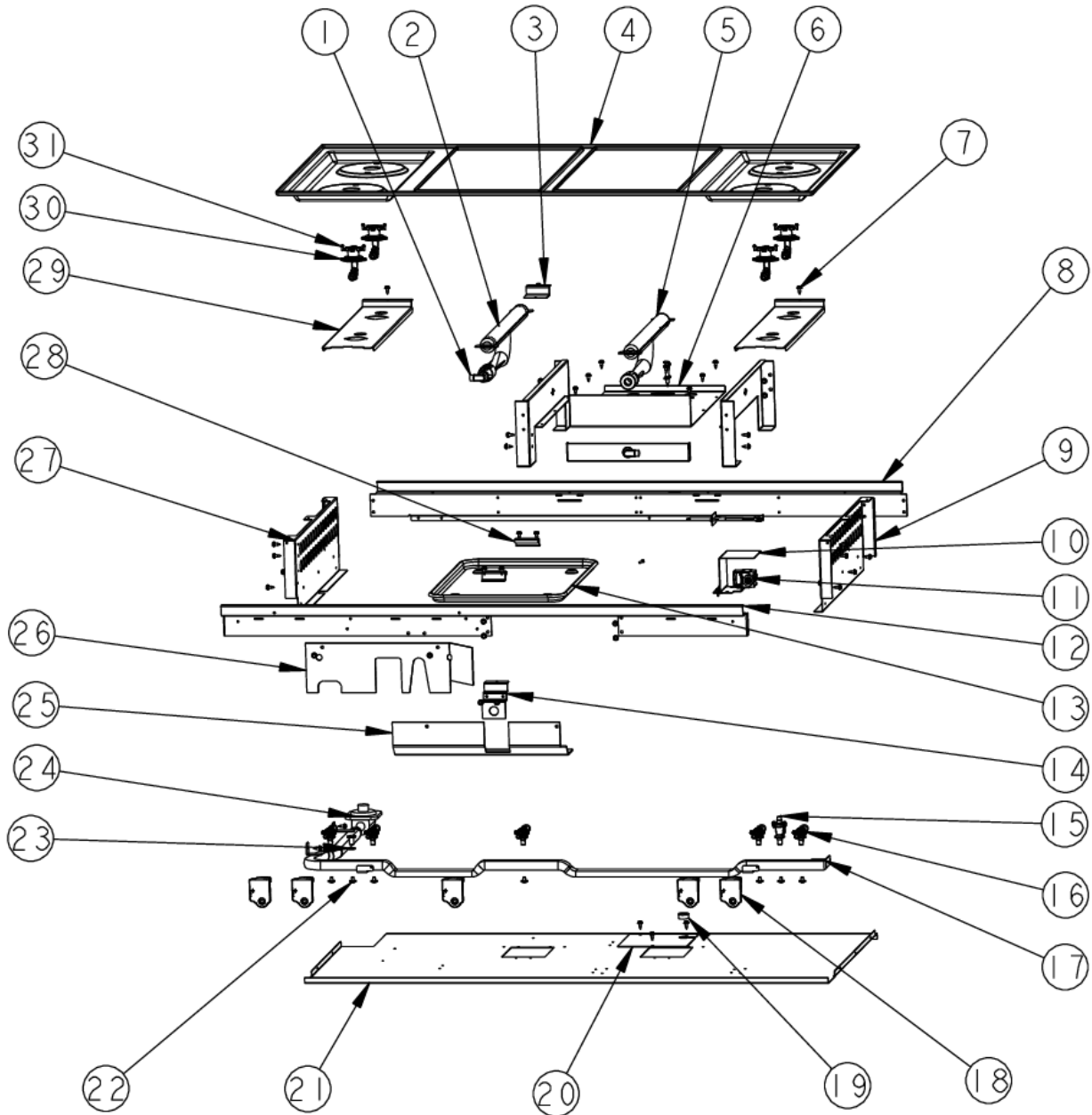
Item	Part No.	Name	Qty	Uom	NOTES
19	002406-000	CONTROL BOARD	2	EA	
Comments for Part Num. 002406-000					
haarnink@vikingrange.com on Jun 18, 2015					
For the international E Model numbers EVDSC5 we need to add the info that since First unit was EVDSC530S4B: 092314C10147281 any EVDSC built in 2014 went into production with EOC4. so here we need to add the part number 014000-000 EOC4 plus the SMPS part number 013999-000					
Not Shown	NOTE	(BEFORE 7/29/10)		EA	
NI	046142-556	CONTROL, EOC4, LED, V39/V51 & FAMILY	2	EA	
Not Shown	NOTE	(ON OR AFTER 7/29/10)		EA	
NI	038417-000	EOC4 POWER SUPPLY BOARD, CB	1	EA	
Not Shown	NOTE	(ON OR AFTER 7/29/10)		EA	
20	PD020043	#6-32 X .750 PH. CTRSK T(F)-VGSO166	18	EA	
NI	006802-002	COVER, ACS, LWR-VDSC548, BK	1	EA	Not available online / Call for pricing and availability
NI	024909-000	SHIELD, WRG	1	EA	
NI	026526-000	COVER, DSI BOARD, SERVICE		EA	
NI	026766-000	CRADLE, DSI, SERVICE		EA	

BURNER BOX





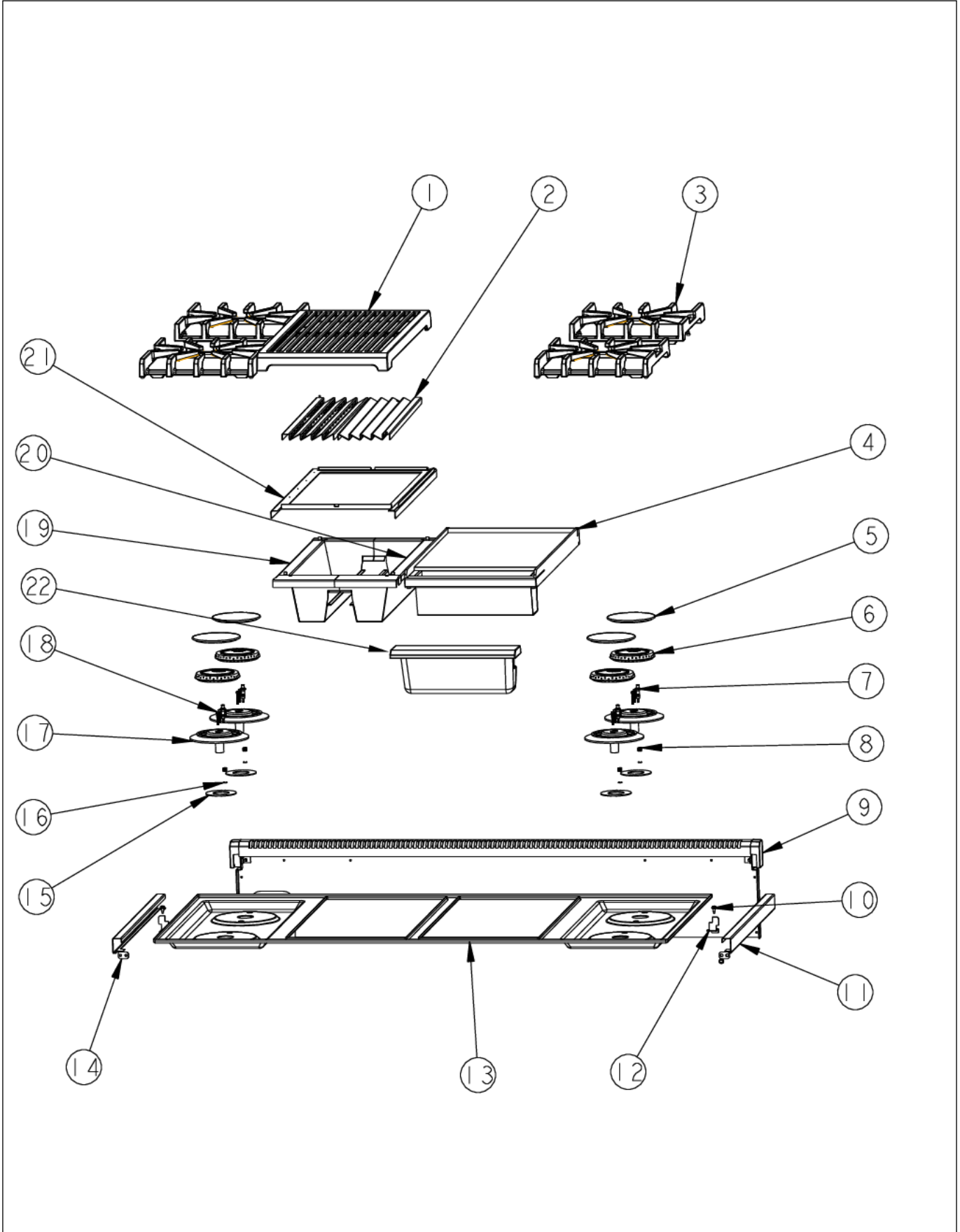
Item	Part No.	Name	Qty	Uom	NOTES
1	008739-000	GRIDDLE ORIFICE FITTING, NAT.	1	EA	Not available online / Call for pricing and availability
1	001983-000	90 DEGREE ORIFICE FITTING, LP #56	1	EA	
2	007878-000	BURNER, GRIL, ASM	1	EA	
2	012460-000	BURNER, GRILL, ASM, LP CUSTOM RANGES	1	EA	
3	008636-000	BRACKET, BURNER, GRILL, REAR	1	EA	
4	E9109803BK	48" SEALED COOKTOP 4BGQ *BK*	1	EA	
5	008742-000	BURNER, GRIDDLE, CUSTOM	1	EA	
5	012461-000	BURNER, GRIDDLE, ASM (LP)	1	EA	
NI	PE050206	RTD THERMOSTAT PROBE	1	EA	
6	008465-000	GRIDDLE BOX ASM, CUSTOM RANGES	1	EA	
7	003860-000	10-18 x .500 FASTNR,SCR,HXWH,STL,ZPLT	40	EA	
8	008464-000	BRNR BOX,REAR,FLAT,SUPPORT,VD SC5484GQ 48"	1	EA	
9	011077-000	SHIELD, HEAT, GRIDDLE, RH	1	EA	
9	002755-000	BURNER BOX SIDE, RH	1	EA	
10	009402-000	SOLENOID HEAT SHIELD COVER	1	EA	
11	009111-000	VALVE, SOL, SINGLE	1	EA	
12	008705-000	SUPPORT, RNG, TOP, FR, VDSC548-4GQ	1	EA	
13	J2101749	GREASE PAN	1	EA	
14	007776-000	MOUNT, GRILL, BURNER, FRONT	2	EA	
15	007147-000	SHUT OFF VALVE	1	EA	
16	006313-000	VALVE, BRS, SEALED TOP	5	EA	
17	008709-000	MANIFOLD, GAS, VDSC548- 4GQ	1	EA	
17	013560-000	MANIFOLD, ASM, VDSC548- 4GQ (LP)	1	EA	
18	PA020058	IRIS SINGLE SPARK MODULE	5	EA	
19	PD040005	SNAP BUSHING - 7/8"	3	EA	





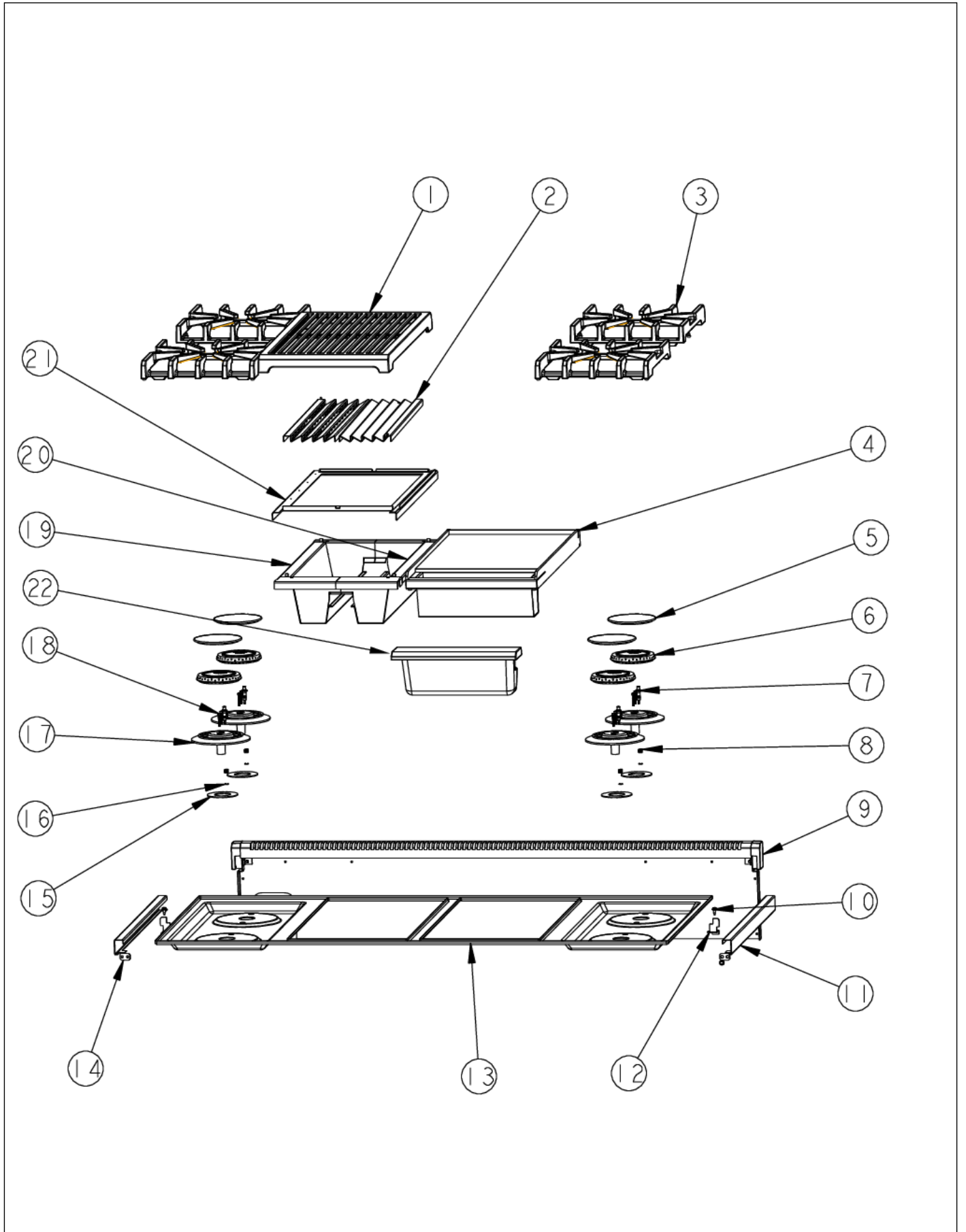
Item	Part No.	Name	Qty	Uom	NOTES
20	008904-000	BURNER BOX, DSI COVER	2	EA	
20	008904-000	BURNER BOX, DSI COVER	2	EA	
Not Shown	NOTE	(ON OR AFTER 01/20/11)		EA	
21	006240-000	BURNER BOX BOTTOM,FLAT,VDSC548	1	EA	
Not Shown	NOTE	(BEFORE 01/20/11)		EA	
21	024684-000	BURNER,BOX,BOT,VDSC548T	1	EA	
Not Shown	NOTE	(ON OR AFTER 01/20/11)		EA	
22	PD010012	VALVE BOLT 1/4-20 UNC-2B 5/16" M.S.	7	EA	
23	002884-000	MANIFOLD PLUG	3	EA	
24	PA070003	PRESSURE REGULATOR (NAT.)	1	EA	
24	013386-000	LP PRESSURE REGULATOR	1	EA	
25	011012-000	SHIELD, HEAT, AL, GRILL	1	EA	Not available online / Call for pricing and availability
26	011073-000	SHIELD, HEAT, AL, GRILL, FRONT, CUST RNGS	1	EA	
27	011078-000	PANEL, RNG, GRIDDLE, LF	1	EA	
27	003481-000	BURNER BOX SIDE, LH	1	EA	
28	008286-000	BRACKET,DRIP,PAN,CUSTOM, Q-MODELS	2	EA	
29	002923-000	BURNER MODULE SUPPORT	2	EA	
30	001394-042	15000 BTU NAT JETHOLDER	4	EA	
30	001394-046	12.5 K BTU LP JETHOLDER	4	EA	
31	PD020076	6-32 X 3/8" PHILL PAN MS	8	EA	

BURNER SURFACE





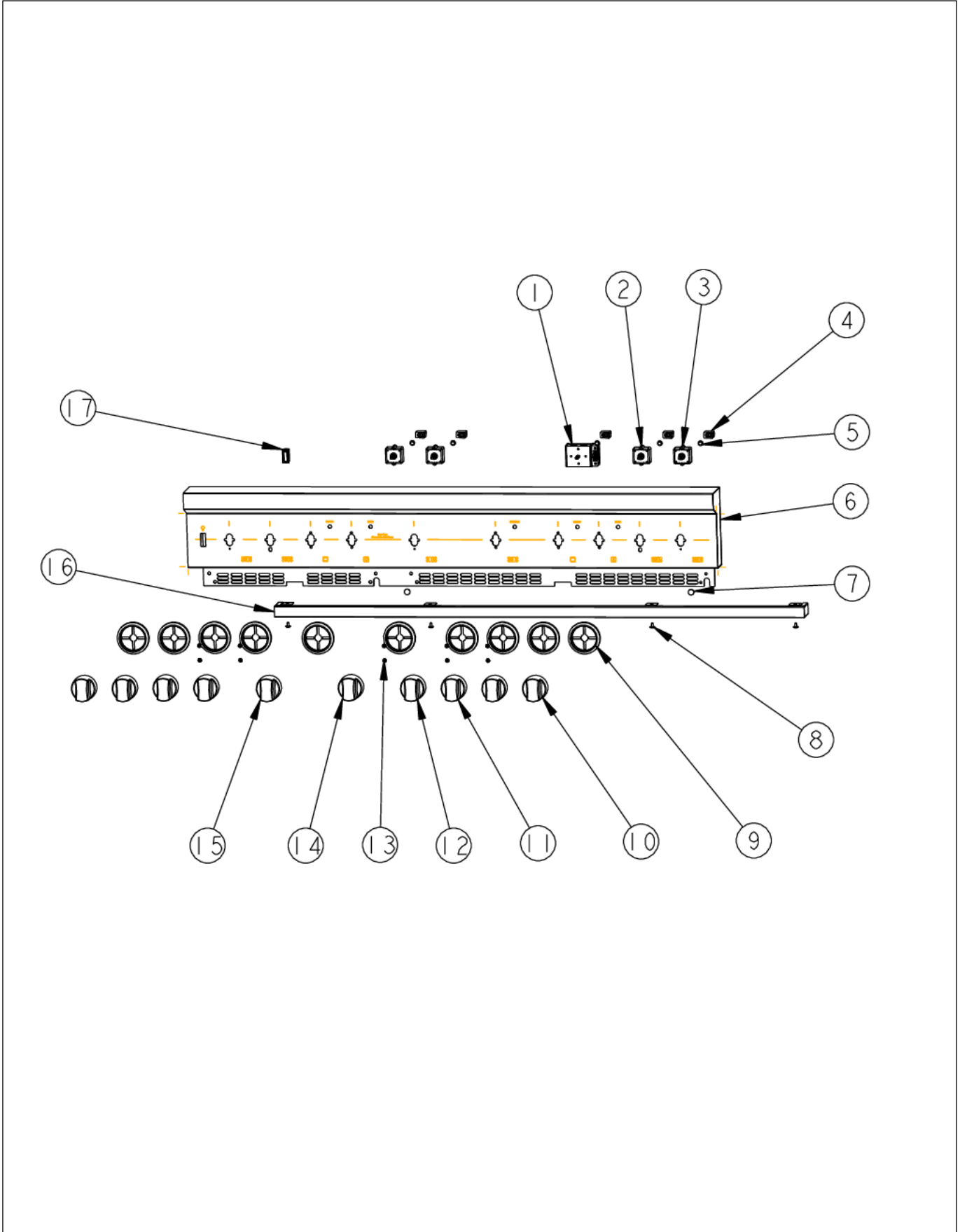
Item	Part No.	Name	Qty	Uom	NOTES
1	010168-000	CUSTOM RANGE GRILL GRATE	1	EA	
2	E9101130BK	GRILL SMOKE GENERATOR	2	EA	
3	007323-000	BURNER GRATE	4	EA	
Not Shown	NOTE	(BEFORE 11/21/14)		EA	
3	049420-000	GRATE, BURNER, ASM	4	EA	
Not Shown	NOTE	(ON OR AFTER 11/21/14)		EA	
NI	PD040075	RUBBER FOOT	16	EA	
Not Shown	NOTE	(BEFORE 11/21/14)		EA	
NI	049416-000	BUMPER, GRATE	16	EA	
Not Shown	NOTE	(ON OR AFTER 11/21/14)		EA	
4	012291-000	GRIDDLE ASM, CUSTOM RANGES	1	EA	
5	PA080083	D BURNER CAP *MATTE BLACK*	4	EA	
6	018200-000	ADJUSTED SEALED BURNER HEAD	4	EA	
7	N/A	BURNER IGNIGHTER		EA	
Not Shown	NOTE	(MUST ORDER SEALED BURNER BASE ASM)		EA	
8	003319-000	GASKET, SILICONE	4	EA	Not available online / Call for pricing and availability
<p>Comments for Part Num. 003319-000</p> <p>bradleysapplianceservice@shaw.ca on Jun 28, 2017</p> <p>SUBS TO: 003322-041 SEALED BURNER BASE, PAINTED FINISH GRY/CHARCOAL</p>					
9	041509-000	TRIM, IS, ASSY, 48"	1	EA	
10	003860-000	10-18 x .500 FASTNR,SCR,HXWH,STL,ZPLT	3	EA	
11	002920-000	TOP TRIM RING, RH	1	EA	
12	004021-000	SUPPORT,TRIM,SIDE	2	EA	
13	E9109803BK	48" SEALED COOKTOP 4BGQ *BK*	1	EA	
14	003649-000	TOP TRIM RING, LH	1	EA	





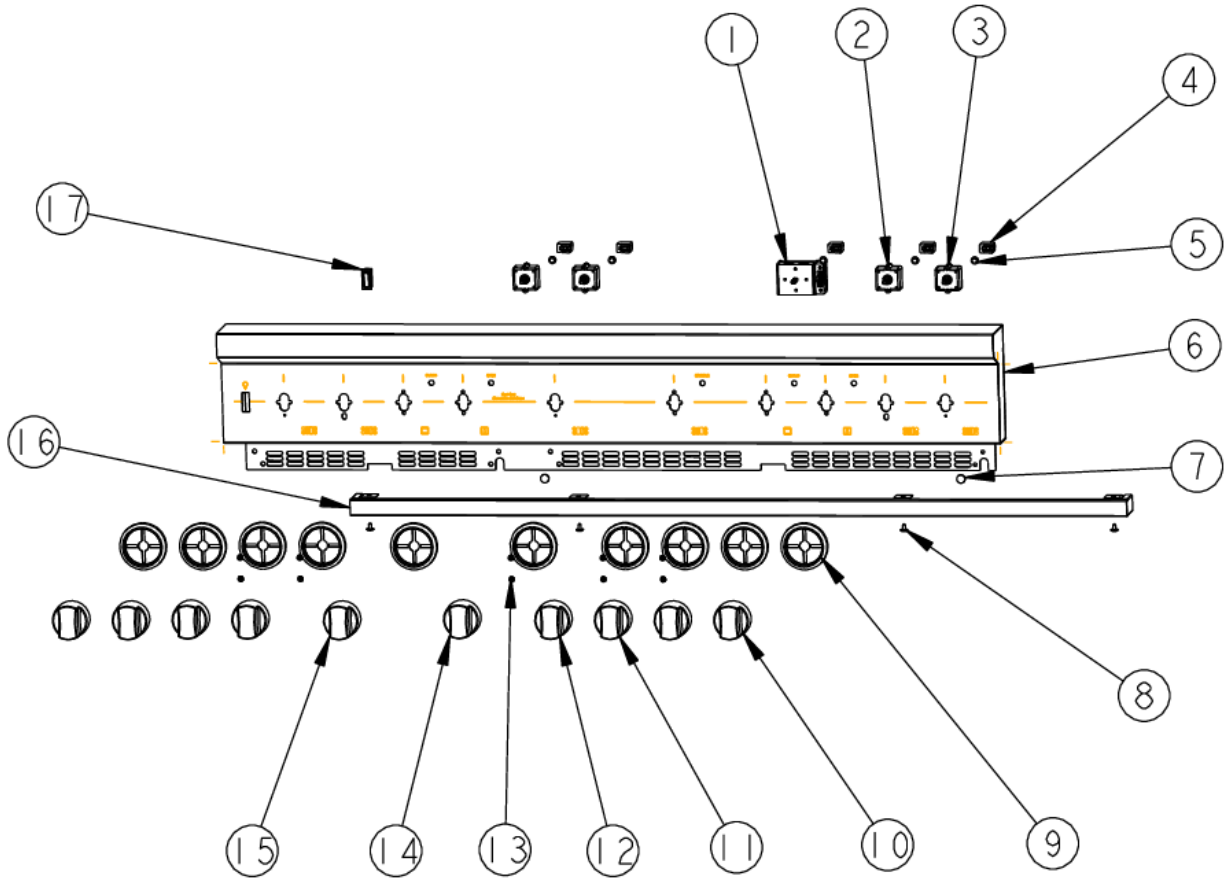
Item	Part No.	Name	Qty	Uom	NOTES
15	N/A	CLIP, IGNIGHTER	4	EA	
Not Shown	NOTE	(MUST ORDER SEALED BURNER BASE ASM)		EA	
16	N/A	SPRING, IGNIGHTER	4	EA	
Not Shown	NOTE	(MUST ORDER SEALED BURNER BASE ASM)		EA	
17	003322-041	SEALED BURNER BASE, PAINTED FINISH- GRAY	4	EA	
18	009197-000	#6-32 X 5/8 18-8 SS NC SOC CAP	8	EA	
19	013595-000	PAN, DRIP, ASM, LEFT	1	EA	
20	013593-000	PAN, DRIP, ASM, RIGHT	1	EA	
21	012897-000	PLATE, SMK, GENERATOR, ASM	1	EA	NO LONGER AVAILABLE
22	023451-000	TROUGH, ASM	1	EA	
NI	012287-000	SUMP, GRIDDLE TROUGH	1	EA	Not available online / Call for pricing and availability
NI	013408-000	GRIDDLE HEADER	1	EA	

CONTROL PANEL



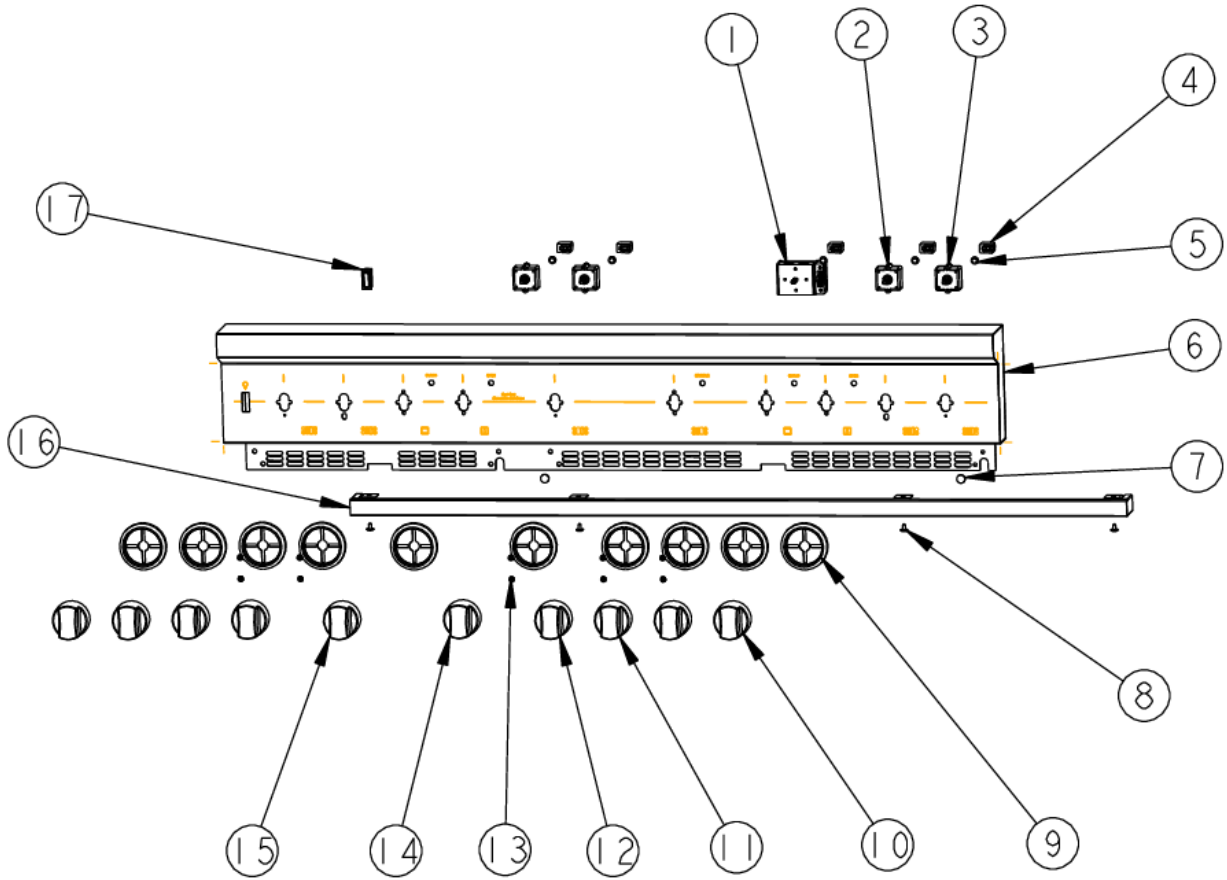


Item	Part No.	Name	Qty	Uom	NOTES
1	013213-000	TSTAT, SMPS, ELEC, 2-POS, .91" SHAFT, CB	1	EA	
2	PJ030033	SELECTOR (10 POS)	2	EA	
3	PJ030035	THERMOSTAT	2	EA	
<p>Comments for Part Num. PJ030035</p> <p>parts@lvdistributes.com on Feb 7, 2018 this is not the correct part for this range it should be a 003225-000 Reply by JREXEC02@AOL.COM on Feb 27, 2018 003225-000 is an Induction Control.</p> <p>PJ030035 is the red colored thermostat for the Gas Range *****</p>					
4	PE050072	LENS OPENING	5	EA	
Not Shown	NOTE	(BEFORE 7/29/10)		EA	
NI	021336-000	INDICATOR, LT, RED, CHROME BEZEL, LED	5	EA	
Not Shown	NOTE	(7/29/10 - 7/12/11)		EA	
NI	015043-000	INDICATOR, LIGHT, BLUE LED	5	EA	
Not Shown	NOTE	(ON OR AFTER 7/13/11)		EA	
5	PE050023	OVEN IND. LIGHT (LENS & BEZEL)	5	EA	
Not Shown	NOTE	(BEFORE 7/29/10)		EA	
NI	021336-000	INDICATOR, LT, RED, CHROME BEZEL, LED	5	EA	
Not Shown	NOTE	(7/29/10 - 7/12/11)		EA	
NI	015043-000	INDICATOR, LIGHT, BLUE LED	5	EA	
Not Shown	NOTE	(ON OR AFTER 7/13/11)		EA	
6	042221-2116	PNL, CTRL, ASM, VDSC548-4GQ W/GRAPICS	1	EA	
7	PD040004	GROMMET BUMPER	4	EA	
8	PD020032	SRW-8(A)X3/8"PH.WFR HD 7/16DIA*NICL	4	EA	
9	PB010304	KNOB BEZEL	10	EA	





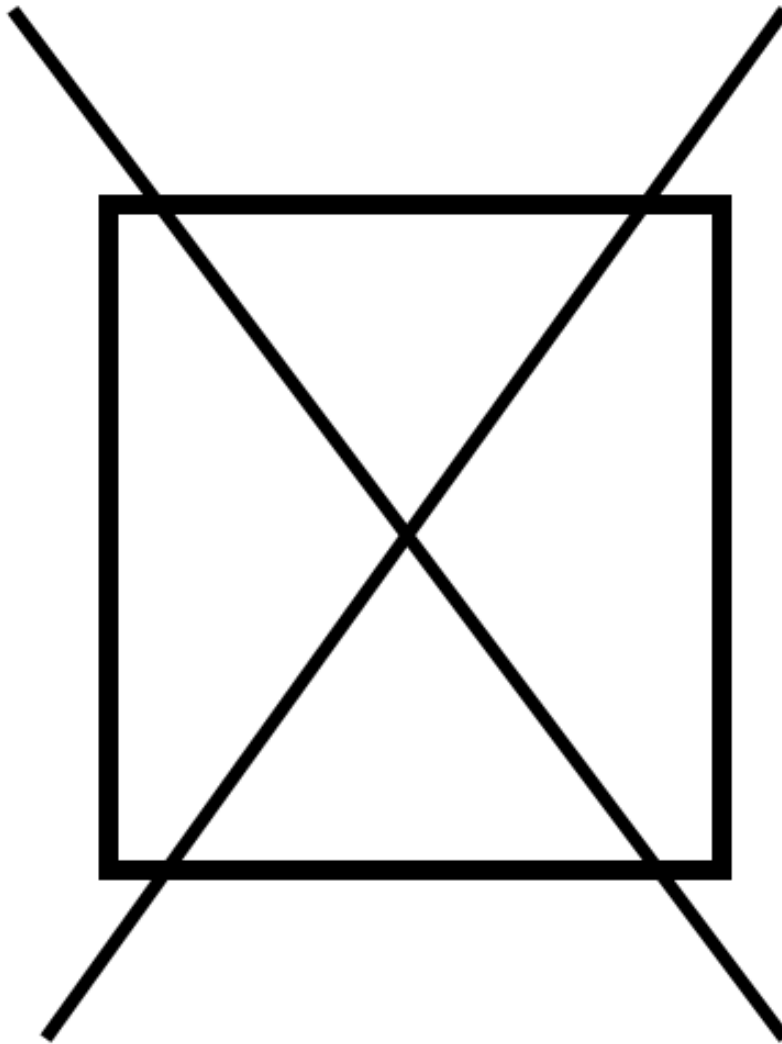
Item	Part No.	Name	Qty	Uom	NOTES
10	005269-000	RANGE TOP BURNER KNOB-BRUSHED, SSS	4	EA	
Not Shown	NOTE	BEFORE 12/20/12		EA	
10	035881-000	KNOB, BNR, TOP PRO CR3	4	EA	
Not Shown	NOTE	AFTER 12/20/12		EA	
11	005270-000	RANGE THERMOSTAT KNOB-BRUSHED, SSS	2	EA	
Not Shown	NOTE	BEFORE 12/20/12		EA	
11	035893-000	KNOB,OVN,TSTAT, PRO VDSC/VESC CR3	2	EA	
Not Shown	NOTE	AFTER 12/20/12		EA	
12	005271-000	RANGE SELECTOR KNOB-BRUSHED, SSS	2	EA	
Not Shown	NOTE	BEFORE 12/20/12		EA	
12	035895-000	KNOB,OVN,SEL, PRO VDSC/VESC CR3	2	EA	
Not Shown	NOTE	AFTER 12/20/12		EA	
13	PD020062	#8-32 X 3/8 PHMS TYPE 1	10	EA	
14	006570-000	KNOB, GRDL/(LH OVEN), ASM, PVD, #3, SSS	1	EA	
<p>Comments for Part Num. 006570-000</p> <p>bradleysapplianceservice@shaw.ca on Aug 25, 2015</p> <p>006570-000 Griddle Knob Satin Stainless Steel (SSS) - Serial Break: Before 12/20/12</p> <p>035883-000 Griddle Knob Stainless Steel (SS) - Serial Break After 12/20/12</p> <p>If stainless steel (SS) is required: Use part number 035883-000 Griddle Knob</p>					
Not Shown	NOTE	BEFORE 12/20/12		EA	
14	035883-000	KNOB,GRDL,PRO CR3	1	EA	
Not Shown	NOTE	AFTER 12/20/12		EA	
15	006574-000	KNOB, GRL, ASM, PVD, #3, SSS	1	EA	
Not Shown	NOTE	BEFORE 12/20/12		EA	





Item	Part No.	Name	Qty	Uom	NOTES
15	035885-000	KNOB,GRL,PRO CR3	1	EA	
Not Shown	NOTE	AFTER 12/20/12		EA	
16	006424-000	HANDLE, DRIP, ASM, SST, VDSC548	1	EA	
17	003719-000	OVEN LIGHT SWITCH, BLACK	1	EA	

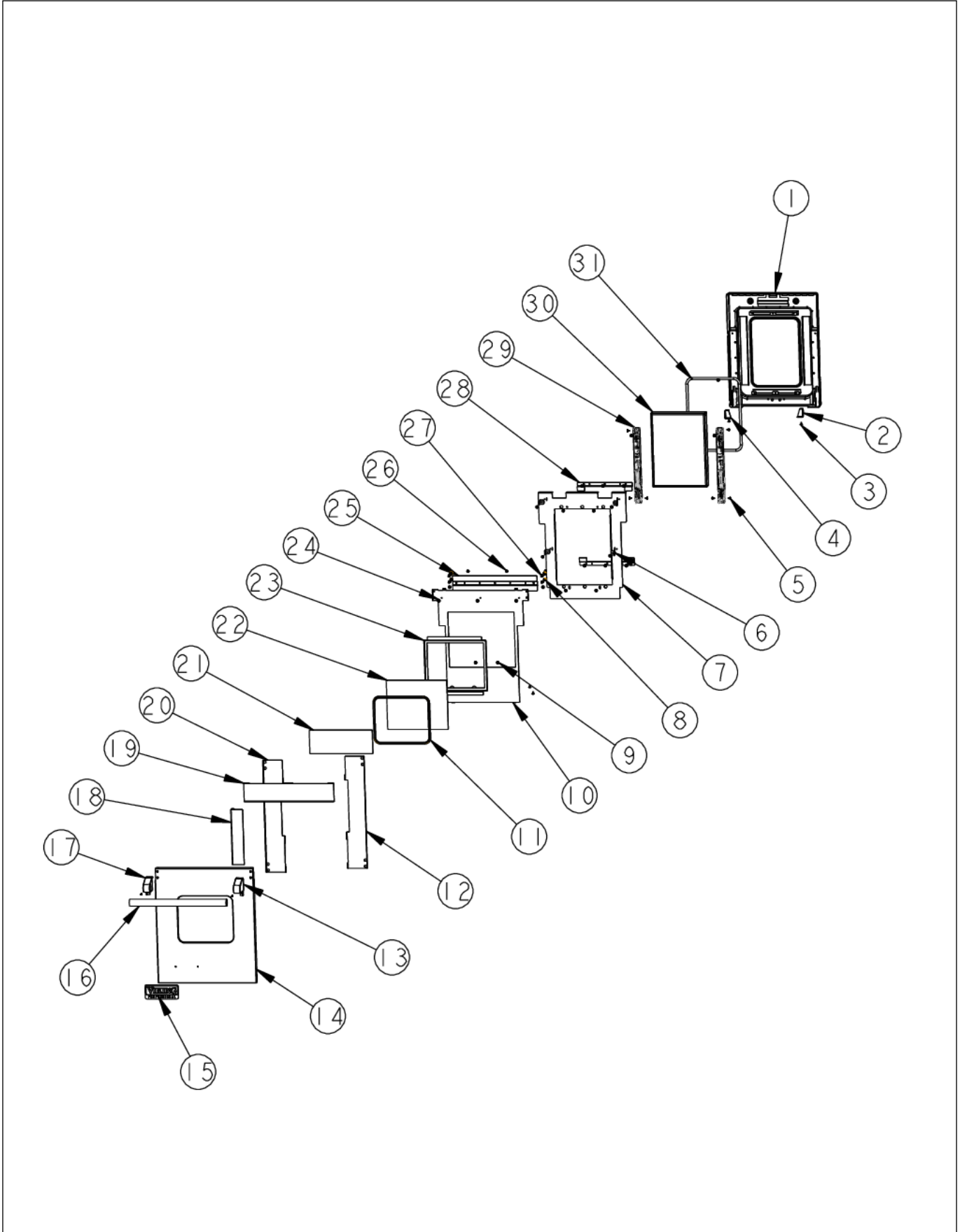
NON ILLUSTRATED PART



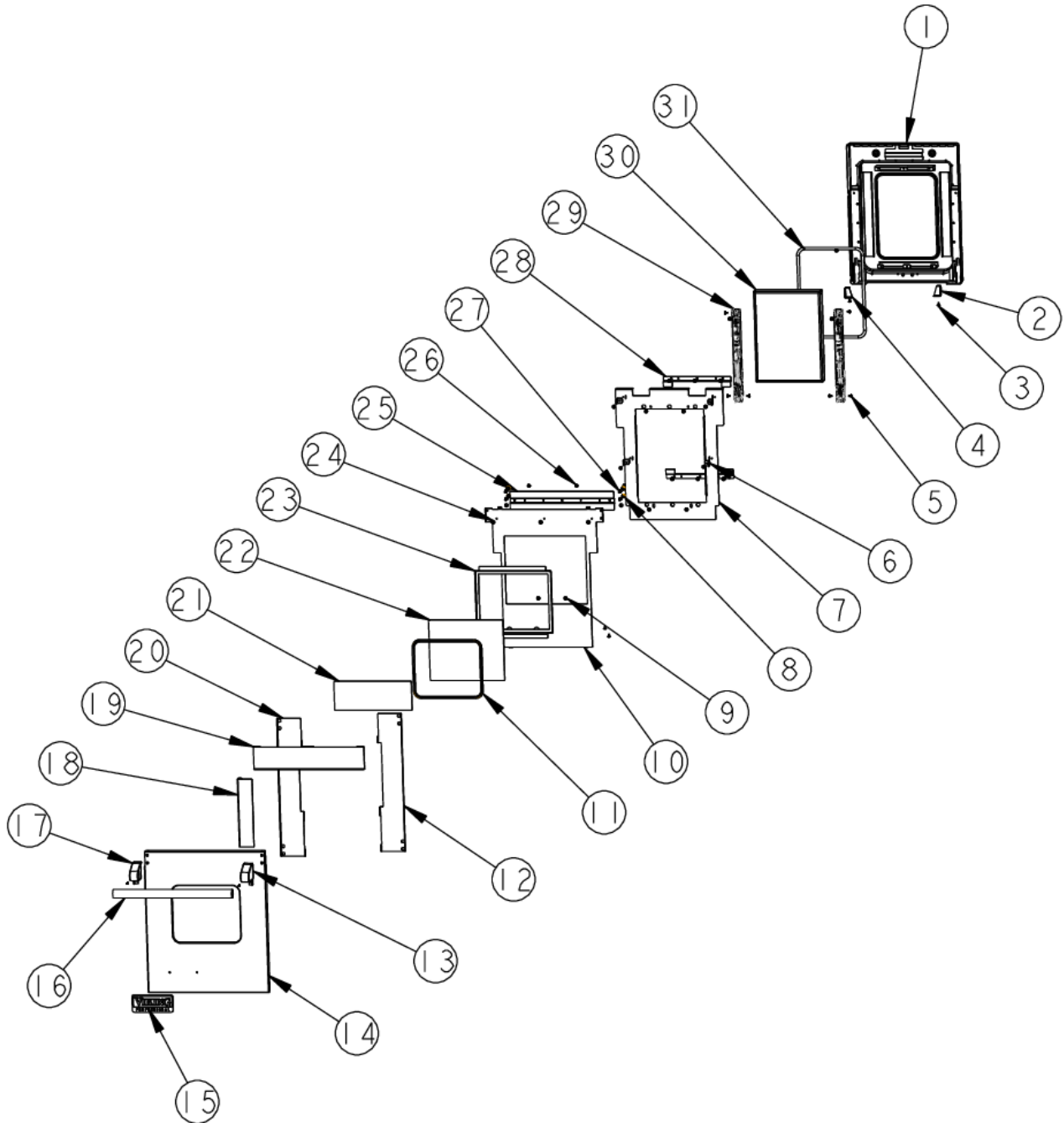


Item	Part No.	Name	Qty	Uom	NOTES
NI	004133-000	CONTROL PANEL HARNESS	1	EA	
Not Shown	NOTE	(BEFORE 7/29/10)		EA	
NI	020019-000	HARNESS, WRG, CONTROL	1	EA	
Not Shown	NOTE	(ON OR AFTER 7/29/10)		EA	

DOOR ASSY LT

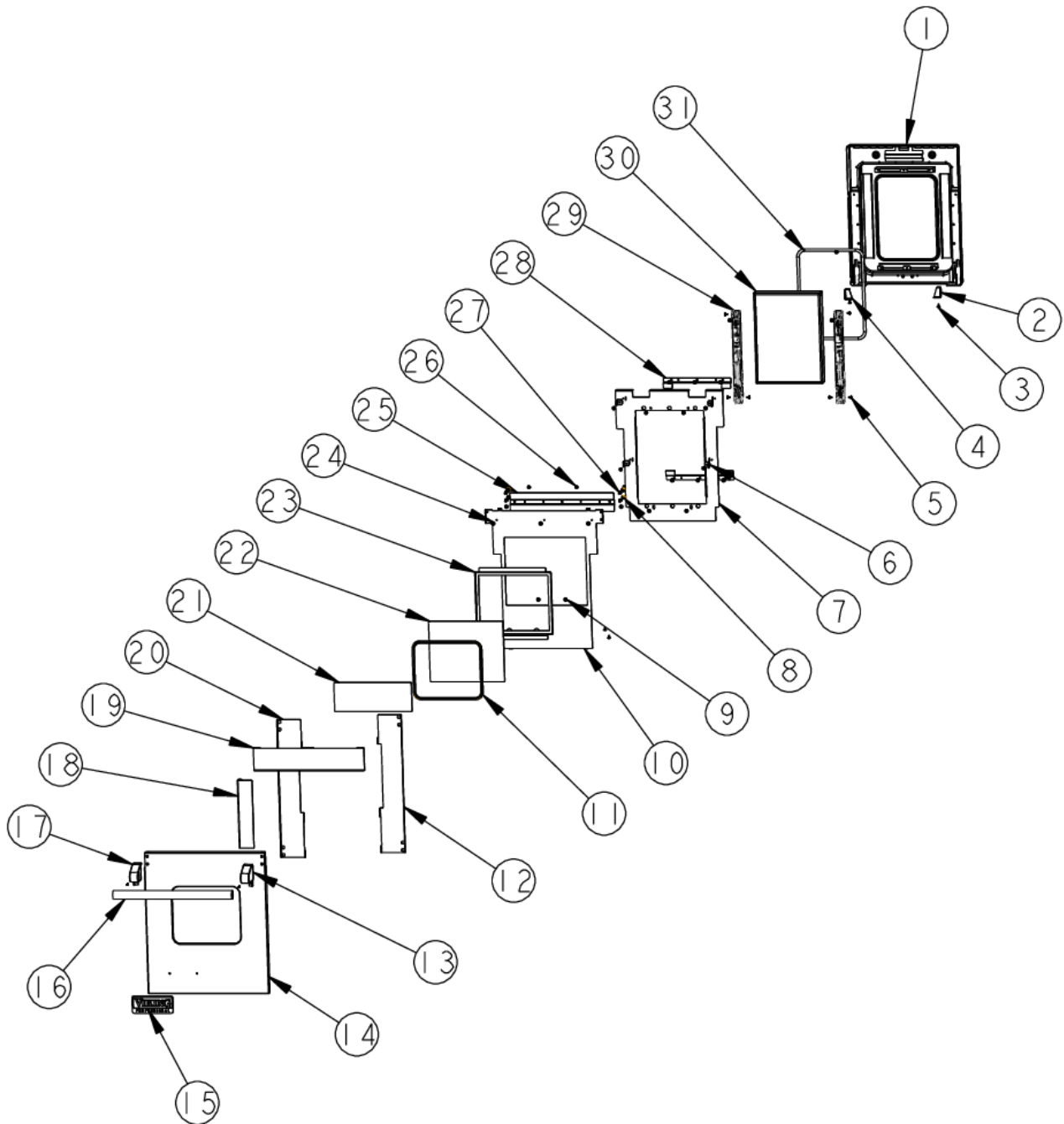


Item	Part No.	Name	Qty	Uom	NOTES
1	002709-000	DOOR LINER WELDED ASM, VDSC18	1	EA	
Not Shown	NOTE	(BEFORE 12/20/12)		EA	
1	002709-402	LINER, DOOR, WLD, ASSY 18" BK	1	EA	
Not Shown	NOTE	(ON OR AFTER 12/20/12)		EA	
2	006807-000	HINGE, BRACKET, RH	1	EA	
3	PD020032	SRW-8(A)X3/8"PH.WFR HD 7/16DIA*NICL	6	EA	
4	006808-000	HINGE, BRACKET, LH	1	EA	
5	PD020063	SCREW-#8(A) X 3/8"PH WFR HD/BK OXID	23	EA	
6	009426-000	STANDOFF, BRACKET, DOOR, LINER, VDSC18"	4	EA	
7	006209-000	DOOR LINER INSULATION RETAINER, 18"	1	EA	
8	004907-000	STEEL FINISHING PLUG, NICKEL PLTD 25/64" HOLE	4	EA	
9	PD030006	CAPPED WASHER PAL NUT	2	EA	
10	006223-000	PANEL, INSL, ASM, DOOR	1	EA	
11	NOT FIELD REPLACABLE	DOOR, SKIN, J-MOLD	1	EA	
Not Shown	NOTE	(MUST ORDER ITEM #14)		EA	
12	009427-000	BRACKET, DOOR, LH	1	EA	
13	003012-000	DOOR HANDLE ENDCAP ASSY, RH (CHROME)	1	EA	
13	003012-100	DOOR HANDLE ENDCAP ASSY, RH (BRASS) - NLA	1	EA	
14	021308-002	LH DOOR SKIN SRV ASM - BK	1	EA	
14	021308-003	LH DOOR SKIN SRV ASM - BT	1	EA	
14	021308-004	LH DOOR SKIN SRV ASM - SG	1	EA	
14	021308-005	LH DOOR SKIN SRV ASM - GG	1	EA	
14	021308-006	LH DOOR SKIN SRV ASM - WH	1	EA	
14	021308-008	LH DOOR SKIN SRV ASM - BU	1	EA	
14	021308-009	LH DOOR SKIN SRV ASM - LE	1	EA	



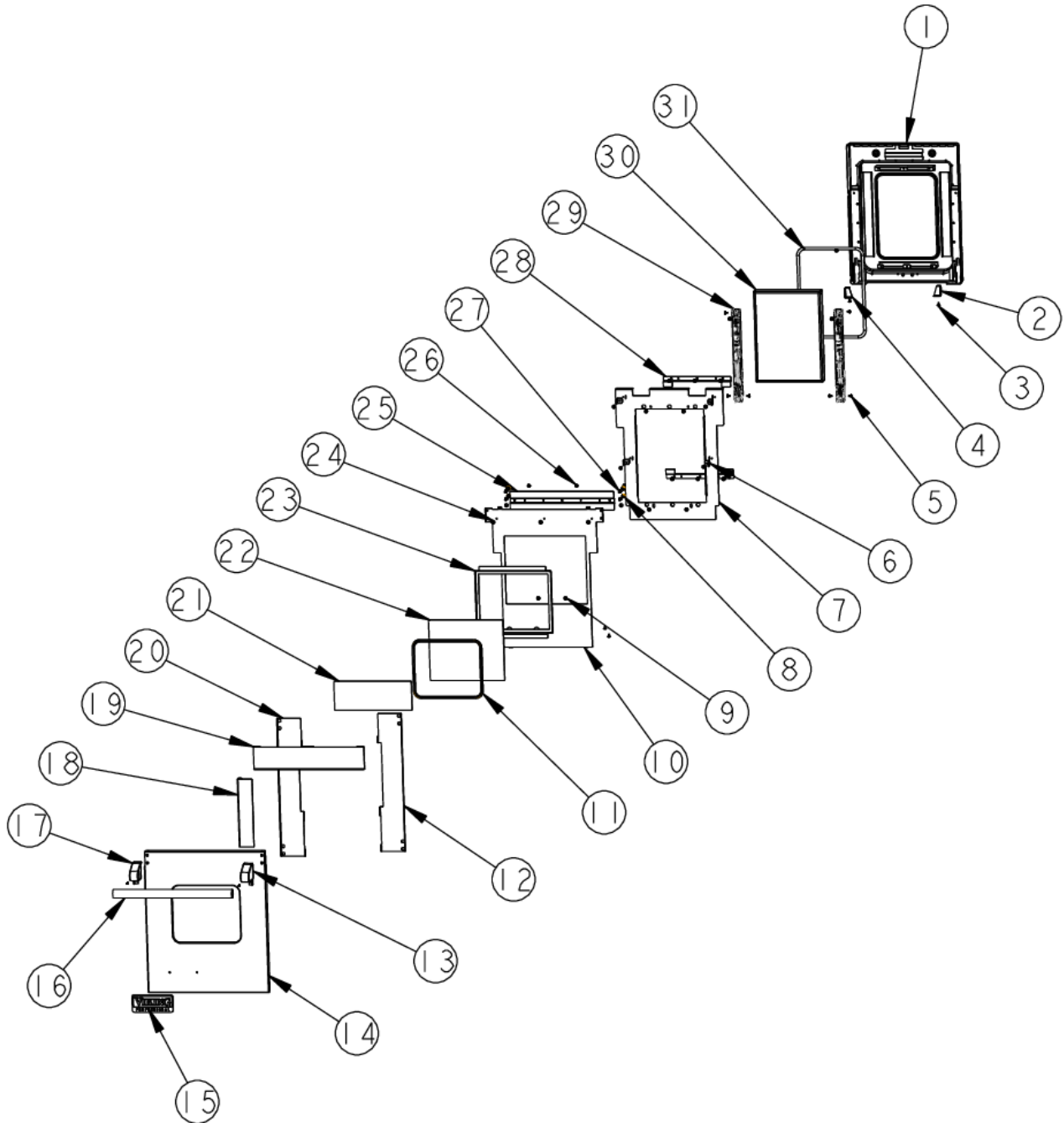


Item	Part No.	Name	Qty	Uom	NOTES
14	021308-010	LH DOOR SKIN SRV ASM - MJ	1	EA	Not available online / Call for pricing and availability
14	021308-012	LH DOOR SKIN SRV ASM - VB	1	EA	
14	021308-013	LH DOOR SKIN SRV ASM - CB	1	EA	
14	021308-015	LH DOOR SKIN SRV ASM - PL	1	EA	
14	021308-016	LH DOOR SKIN SRV ASM - CH	1	EA	
14	021308-017	LH DOOR SKIN SRV ASM - TP	1	EA	
14	021308-018	LH DOOR SKIN SRV ASM - CW NLA	1	EA	
14	021308-019	LH DOOR SKIN SRV ASM - OG	1	EA	
14	021308-020	LH DOOR SKIN SRV ASM - GM	1	EA	
14	021308-021	LH DOOR SKIN SRV ASM - SA	1	EA	
14	021308-022	LH DOOR SKIN SRV ASM - SE	1	EA	
14	021308-023	LH DOOR SKIN SRV ASM - IB	1	EA	
14	021308-024	LH DOOR SKIN SRV ASM - AR	1	EA	
14	021308-025	LH DOOR SKIN SRV ASM - RR	1	EA	
14	021308-026	LH DOOR SKIN SRV ASM - PM	1	EA	Not available online / Call for pricing and availability
14	021308-027	LH DOOR SKIN SRV ASM - MS	1	EA	
15	PE010030	LOGO	1	EA	
16	006221-000	18" DOOR HANDLE, SST	1	EA	
17	003011-000	DOOR HANDLE ENDCAP ASSY, LH (CHROME)	1	EA	
17	003011-100	DOOR HANDLE ENDCAP ASSY, LH (BRASS)	1	EA	
18	011178-000	DOOR, SINK, LH, AL	1	EA	
19	006219-000	DOOR, SINK, AL	1	EA	
20	009428-000	BRACKET, DOOR, RH	1	EA	
21	006220-000	INSULATION, DOOR, SKIN, TOP, VDSC18"	1	EA	
22	NOT FIELD REPLACABLE	DOOR, GL, OTR	1	EA	
Not Shown	NOTE	(MUST ORDER ITEM #14)		EA	

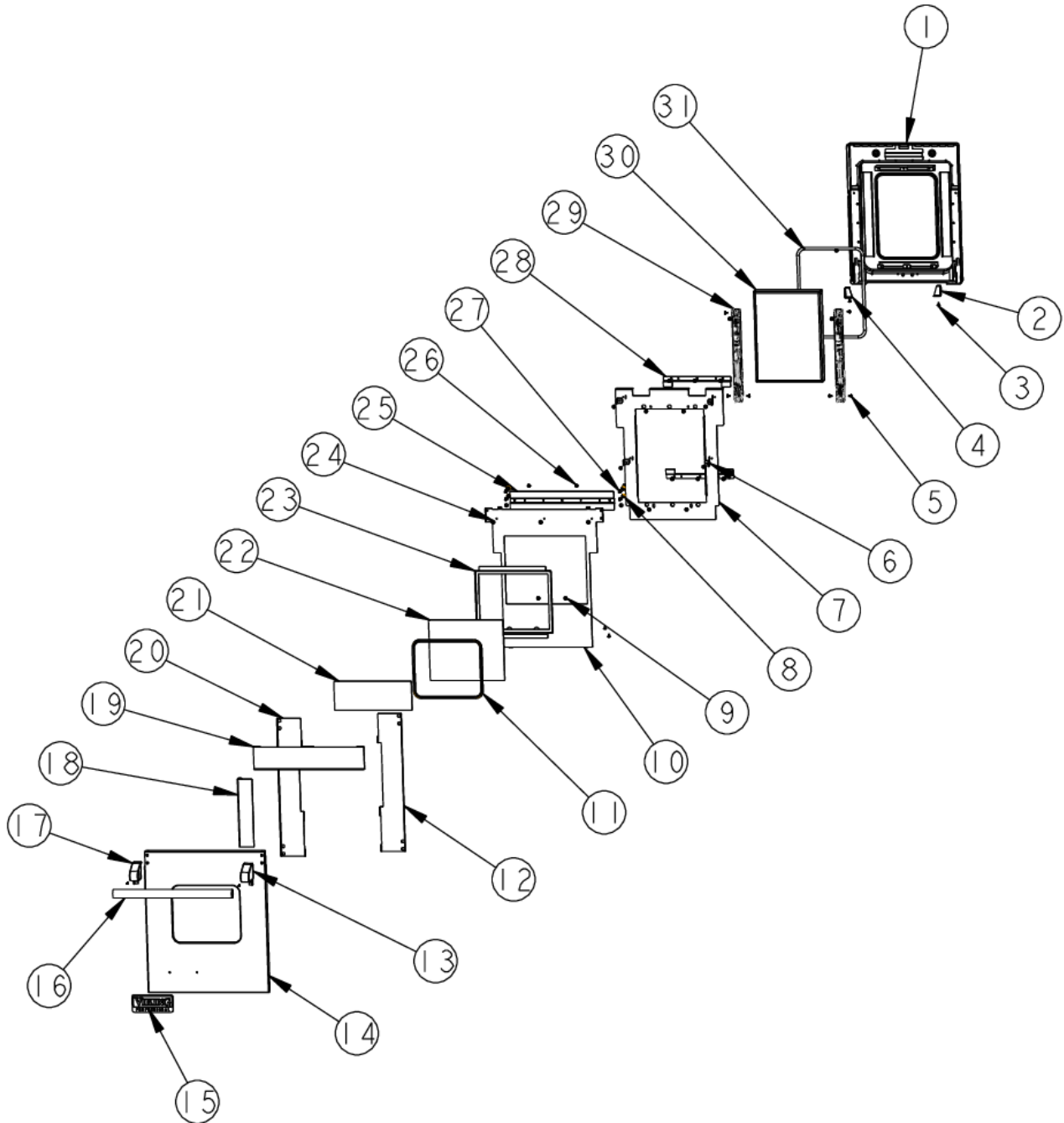




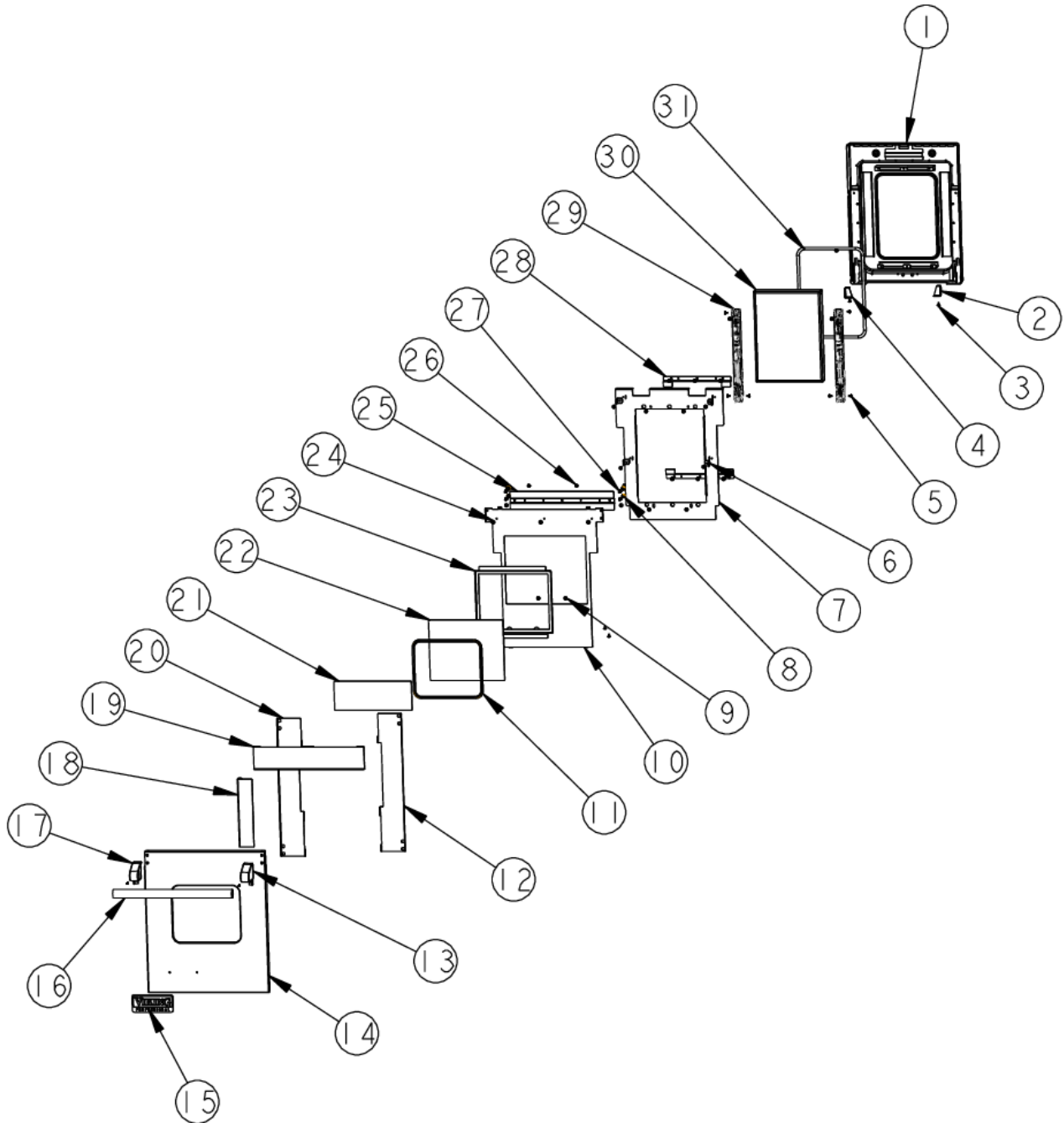
Item	Part No.	Name	Qty	Uom	NOTES
23	NOT FIELD REPLACABLE	BRACKET, GL, OTR, AL, DOOR	1	EA	
Not Shown	NOTE	(MUST ORDER ITEM #14)		EA	
24	PD020033	SRW #10-24 X 1/2" T (23) PH WFR HD (NKL)	2	EA	
25	006225-000	BRACKET, DOOR, ASM	1	EA	
26	PD030010	#10-24 KEPS NUT ZINC PLATED	3	EA	
27	030823-000	#10-32 PAN HEAD PHILLIPS MACHINE SCREW	4	EA	
28	006207-000	DOOR GLASS HOLDER BRACKET, 18 DOOR	2	EA	
29	008276-000	HINGE, DOOR	2	EA	
30	005300-000	GLASS, WINDOW PACK, 18"	1	EA	
31	000594-000	BLACK FIBERGLASS ROPE 3/8	1	EA	
NI	006997-000	DOOR GASKET, 18	1	EA	
NI	006226-000	SKIN, DOOR, ASM - SS	1	EA	
NI	006226-100	SKIN, DOOR, ASM - BR, SS	1	EA	Not available online / Call for pricing and availability
NI	013358-002	DOOR, SKIN, ASM - BK	1	EA	
NI	013358-102	DOOR, SKIN, ASM - BR, BK	1	EA	
NI	013358-003	DOOR, SKIN, ASM - BT	1	EA	
NI	013358-103	DOOR, SKIN, ASM - BR, BT	1	EA	
NI	013358-004	DOOR, SKIN, ASM - SG	1	EA	
NI	013358-104	DOOR, SKIN, ASM - BR, SG	1	EA	
NI	013358-005	DOOR, SKIN, ASM - GG	1	EA	
NI	013358-105	DOOR, SKIN, ASM - BR, GG	1	EA	
NI	013358-006	DOOR, SKIN, ASM - WH	1	EA	
NI	013358-106	DOOR, SKIN, ASM - BR, WH	1	EA	
NI	013358-007	DOOR, SKIN, ASM - AL	1	EA	
NI	013358-107	DOOR, SKIN, ASM - BR, AL	1	EA	
NI	013358-008	DOOR, SKIN, ASM - BU	1	EA	
NI	013358-108	DOOR, SKIN, ASM - BR, BU	1	EA	
NI	013358-009	DOOR, SKIN, ASM - LE	1	EA	



Item	Part No.	Name	Qty	Uom	NOTES
NI	013358-109	DOOR, SKIN, ASM - BR, LE	1	EA	
NI	013358-010	DOOR, SKIN, ASM - MJ	1	EA	
NI	013358-110	DOOR, SKIN, ASM - BR, MJ	1	EA	
NI	013358-011	DOOR, SKIN, ASM - FG	1	EA	
NI	013358-111	DOOR, SKIN, ASM - BR, FG	1	EA	
NI	013358-012	DOOR, SKIN, ASM - VB	1	EA	
NI	013358-112	DOOR, SKIN, ASM - BR, VB	1	EA	
NI	013358-013	DOOR, SKIN, ASM - CB	1	EA	
NI	013358-113	DOOR, SKIN, ASM - BR, CB	1	EA	
NI	013358-014	DOOR, SKIN, ASM - EP	1	EA	
NI	013358-114	DOOR, SKIN, ASM - BR, EP	1	EA	
NI	013358-015	DOOR, SKIN, ASM - PL	1	EA	
NI	013358-115	DOOR, SKIN, ASM - BR, PL	1	EA	
NI	013358-016	DOOR, SKIN, ASM - CH	1	EA	
NI	013358-116	DOOR, SKIN, ASM - BR, CH	1	EA	
NI	013358-017	DOOR, SKIN, ASM - TP	1	EA	
NI	013358-117	DOOR, SKIN, ASM - BR, TP	1	EA	
NI	013358-018	DOOR, SKIN, ASM - CW NLA	1	EA	
NI	013358-118	DOOR, SKIN, ASM - BR, CW	1	EA	
NI	013358-019	DOOR, SKIN, ASM - OG	1	EA	
NI	013358-119	DOOR, SKIN, ASM - BR, OG	1	EA	
NI	013358-020	DOOR, SKIN, ASM - GM	1	EA	
NI	013358-120	DOOR, SKIN, ASM - BR, GM	1	EA	
NI	013358-021	DOOR, SKIN, ASM - SA	1	EA	
NI	013358-121	DOOR, SKIN, ASM - BR, SA	1	EA	
NI	013358-022	DOOR, SKIN, ASM - SE	1	EA	
NI	013358-122	DOOR, SKIN, ASM - BR, SE	1	EA	
NI	013358-023	DOOR, SKIN, ASM - IB	1	EA	
NI	013358-123	DOOR, SKIN, ASM - BR, IB	1	EA	
NI	013358-024	DOOR, SKIN, ASM - AR	1	EA	
NI	013358-124	DOOR, SKIN, ASM - BR, AR	1	EA	
NI	013358-025	DOOR, SKIN, ASM - RR	1	EA	
NI	013358-125	DOOR, SKIN, ASM - BR, RR	1	EA	



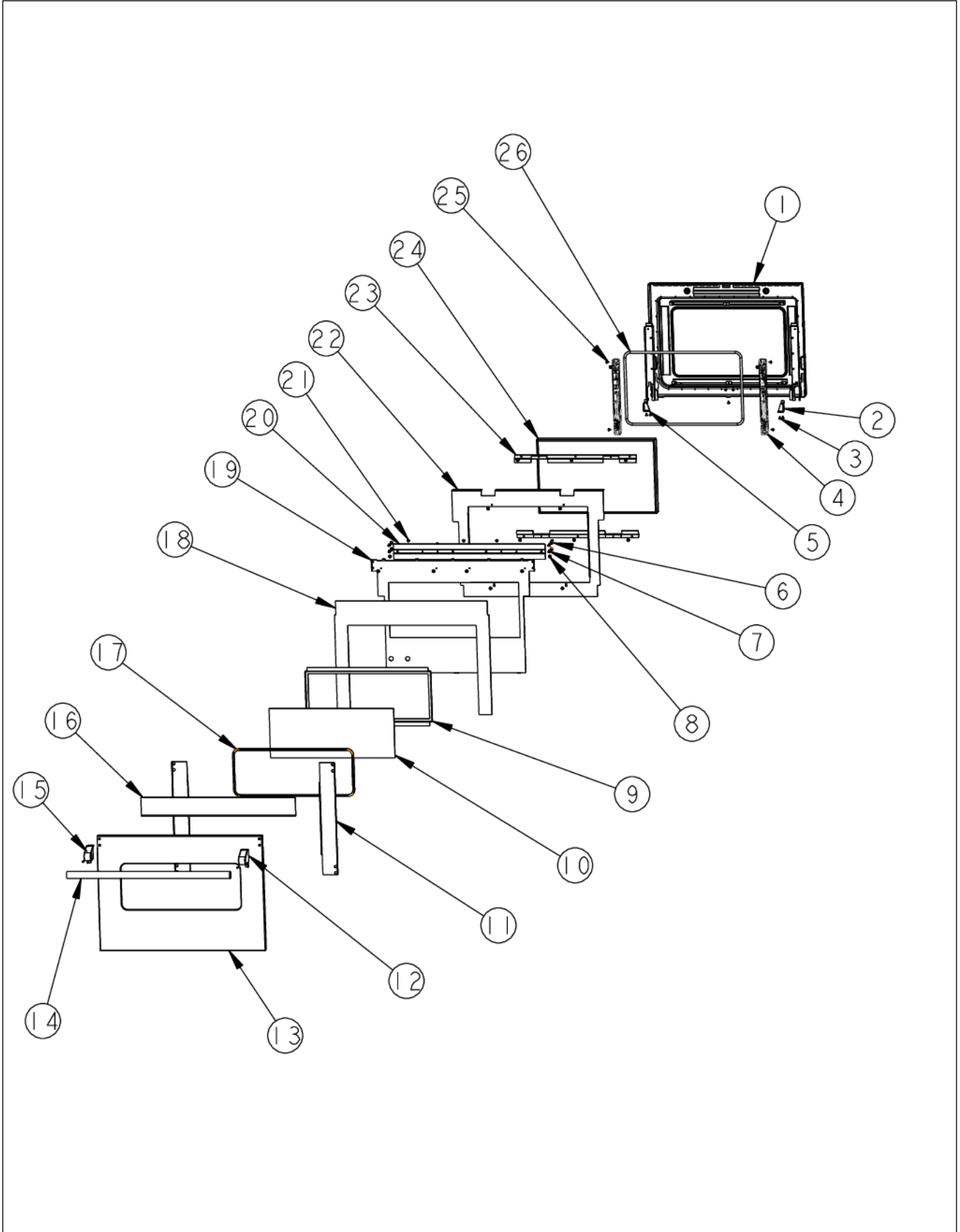
Item	Part No.	Name	Qty	Uom	NOTES
NI	013358-026	DOOR, SKIN, ASM - PM	1	EA	
NI	013358-126	DOOR, SKIN, ASM - BR, PM	1	EA	
NI	013358-027	DOOR, SKIN, ASM - MS	1	EA	
NI	013358-127	DOOR, SKIN, ASM - BR, MS	1	EA	
NI	006227-000	DOOR, ASM - SS	1	EA	
NI	006227-100	DOOR, ASM - BR, SS	1	EA	
NI	013357-002	DOOR, ASM - BK	1	EA	Not available online / Call for pricing and availability
NI	013357-102	DOOR, ASM - BR, BK	1	EA	
NI	013357-003	DOOR, ASM - BT	1	EA	
NI	013357-103	DOOR, ASM - BR, BT	1	EA	
NI	013357-004	DOOR, ASM - SG	1	EA	
NI	013357-104	DOOR, ASM - BR, SG	1	EA	
NI	013357-005	DOOR, ASM - GG	1	EA	
NI	013357-105	DOOR, ASM - BR, GG	1	EA	
NI	013357-006	DOOR, ASM - WH	1	EA	
NI	013357-106	DOOR, ASM - BR, WH	1	EA	
NI	013357-007	DOOR, ASM - AL	1	EA	
NI	013357-107	DOOR, ASM - BR, AL	1	EA	
NI	013357-008	DOOR, ASM - BU	1	EA	
NI	013357-108	DOOR, ASM - BR, BU	1	EA	
NI	013357-009	DOOR, ASM - LE	1	EA	
NI	013357-109	DOOR, ASM - BR, LE	1	EA	
NI	013357-010	DOOR, ASM - MJ	1	EA	Not available online / Call for pricing and availability
NI	013357-110	DOOR, ASM - BR, MJ	1	EA	Not available online / Call for pricing and availability
NI	013357-011	DOOR, ASM - FG	1	EA	
NI	013357-111	DOOR, ASM - BR, FG	1	EA	
NI	013357-012	DOOR, ASM - VB	1	EA	
NI	013357-112	DOOR, ASM - BR, VB	1	EA	



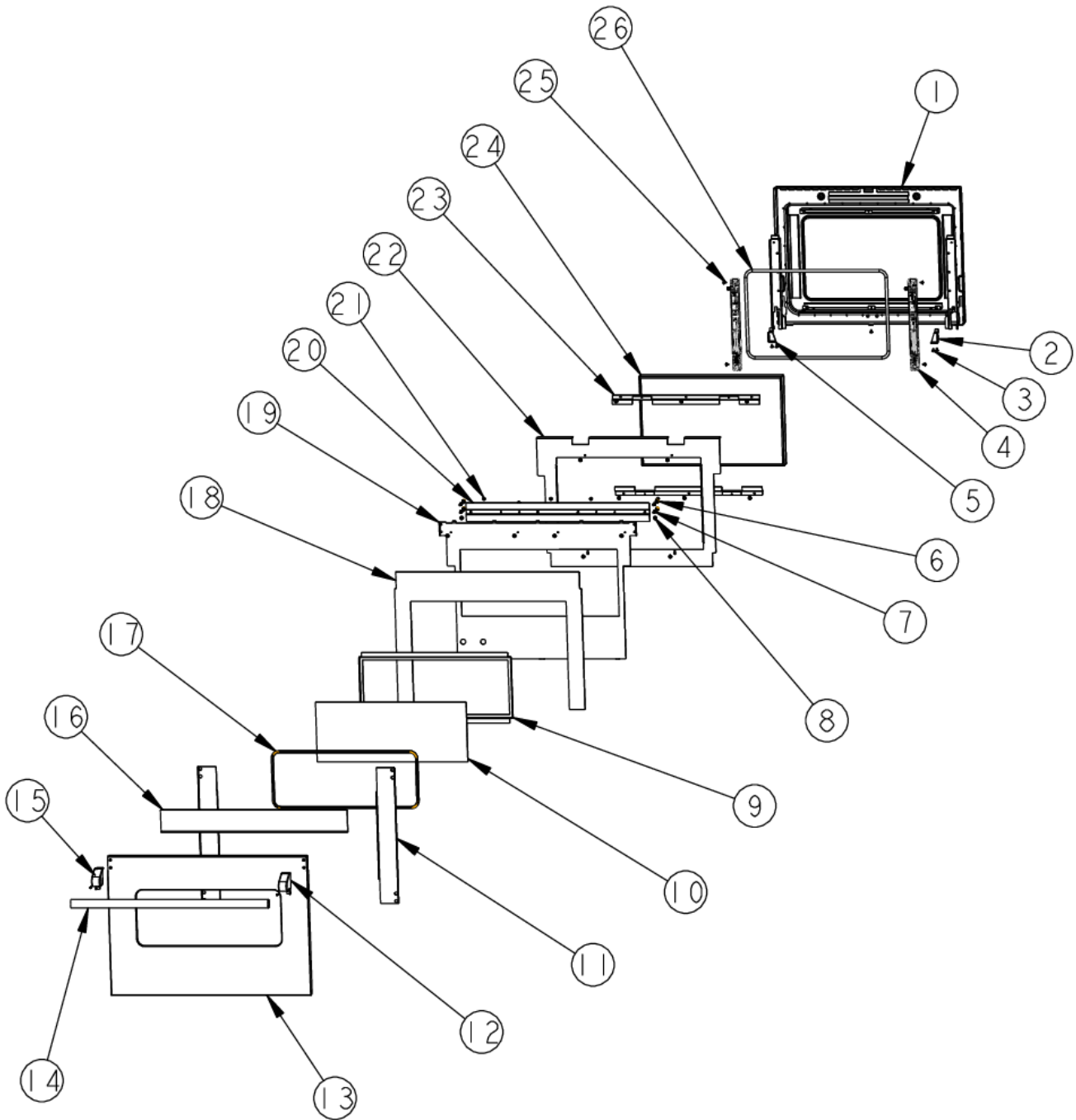


Item	Part No.	Name	Qty	Uom	NOTES
NI	013357-013	DOOR, ASM - CB	1	EA	
NI	013357-113	DOOR, ASM - BR, CB	1	EA	
NI	013357-014	DOOR, ASM - EP	1	EA	
NI	013357-114	DOOR, ASM - BR, EP	1	EA	
NI	013357-015	DOOR, ASM - PL	1	EA	
NI	013357-115	DOOR, ASM - BR, PL	1	EA	
NI	013357-016	DOOR, ASM - CH	1	EA	
NI	013357-116	DOOR, ASM - BR, CH	1	EA	
NI	013357-017	DOOR, ASM - TP	1	EA	
NI	013357-117	DOOR, ASM - BR, TP	1	EA	
NI	013357-018	DOOR, ASM - CW NLA	1	EA	
NI	013357-118	DOOR, ASM - BR, CW	1	EA	
NI	013357-019	DOOR, ASM - OG	1	EA	
NI	013357-119	DOOR, ASM - BR, OG	1	EA	
NI	013357-020	DOOR, ASM - GM	1	EA	
NI	013357-120	DOOR, ASM - BR, GM	1	EA	
NI	013357-021	DOOR, ASM - SA	1	EA	
NI	013357-121	DOOR, ASM - BR, SA	1	EA	
NI	013357-022	DOOR, ASM - SE	1	EA	
NI	013357-122	DOOR, ASM - BR, SE	1	EA	
NI	013357-023	DOOR, ASM - IB	1	EA	
NI	013357-123	DOOR, ASM - BR, IB	1	EA	
NI	013357-024	DOOR, ASM - AR	1	EA	
NI	013357-124	DOOR, ASM - BR, AR	1	EA	
NI	013357-025	DOOR, ASM - RR	1	EA	
NI	013357-125	DOOR, ASM - BR, RR	1	EA	
NI	013357-026	DOOR, ASM - PM	1	EA	
NI	013357-126	DOOR, ASM - BR, PM	1	EA	
NI	013357-027	DOOR, ASM - MS	1	EA	
NI	013357-127	DOOR, ASM - BR, MS	1	EA	

DOOR ASSY RT

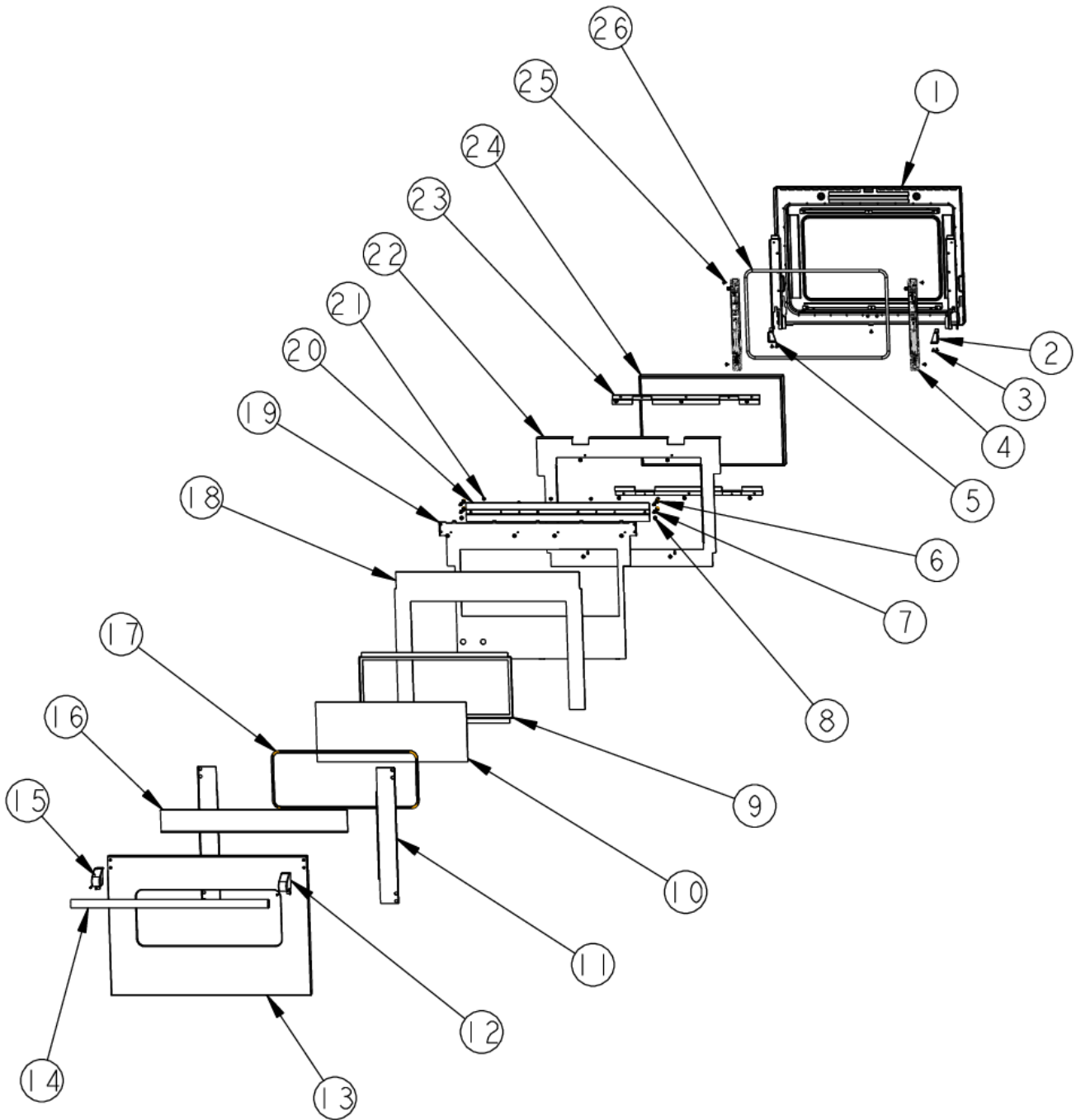


Item	Part No.	Name	Qty	Uom	NOTES
1	015412-000	DOOR LINER SPOTWELD ASM	1	EA	
Not Shown	NOTE	(BEFORE 12/20/12)		EA	
1	015412-402	LINER, DOOR, WLD, ASSY, 30" BLK	1	EA	
Not Shown	NOTE	(ON OR AFTER 12/20/12)		EA	
2	A20012640	HINGE SUPPORT RH	1	EA	
3	PD020032	SRW-8(A)X3/8"PH.WFR HD 7/16DIA*NICL	7	EA	
4	002740-000	DOOR HINGE	2	EA	See TC-0121-SP Service Bulletin
5	A20012641	HINGE SUPPORT LH	1	EA	
6	004907-000	STEEL FINISHING PLUG, NICKEL PLTD 25/64" HOLE	4	EA	
7	030823-000	#10-32 PAN HEAD PHILLIPS MACHINE SCREW	4	EA	
8	PD020073	SRW #10 X 24 X 3/8 WAFER HD TYPE23	2	EA	
9	L20014077	30" WINDOW HOLDER	1	EA	
Not Shown	NOTE	(NOT FIELD REPLACEABLE - MUST ORDER ITEM # 13)		EA	
10	PE060090	30" PROF. OUTER DOOR GLASS	1	EA	
Not Shown	NOTE	(NOT FIELD REPLACEABLE - MUST ORDER ITEM # 13)		EA	
11	002726-000	DOOR SKIN SIDE BRACKET	2	EA	
12	003012-000	DOOR HANDLE ENDCAP ASSY, RH (CHROME)	1	EA	
12	003012-100	DOOR HANDLE ENDCAP ASSY, RH (BRASS) - NLA	1	EA	
13	021143-000	SERVICE DOOR SKIN KIT 30" SS	1	EA	
13	021144-002	SERVICE DOOR SKIN KIT 30" BK	1	EA	
13	021144-003	SERVICE DOOR SKIN KIT 30" BT	1	EA	Not available online / Call for pricing and availability
13	021144-004	SERVICE DOOR SKIN KIT 30" SG	1	EA	



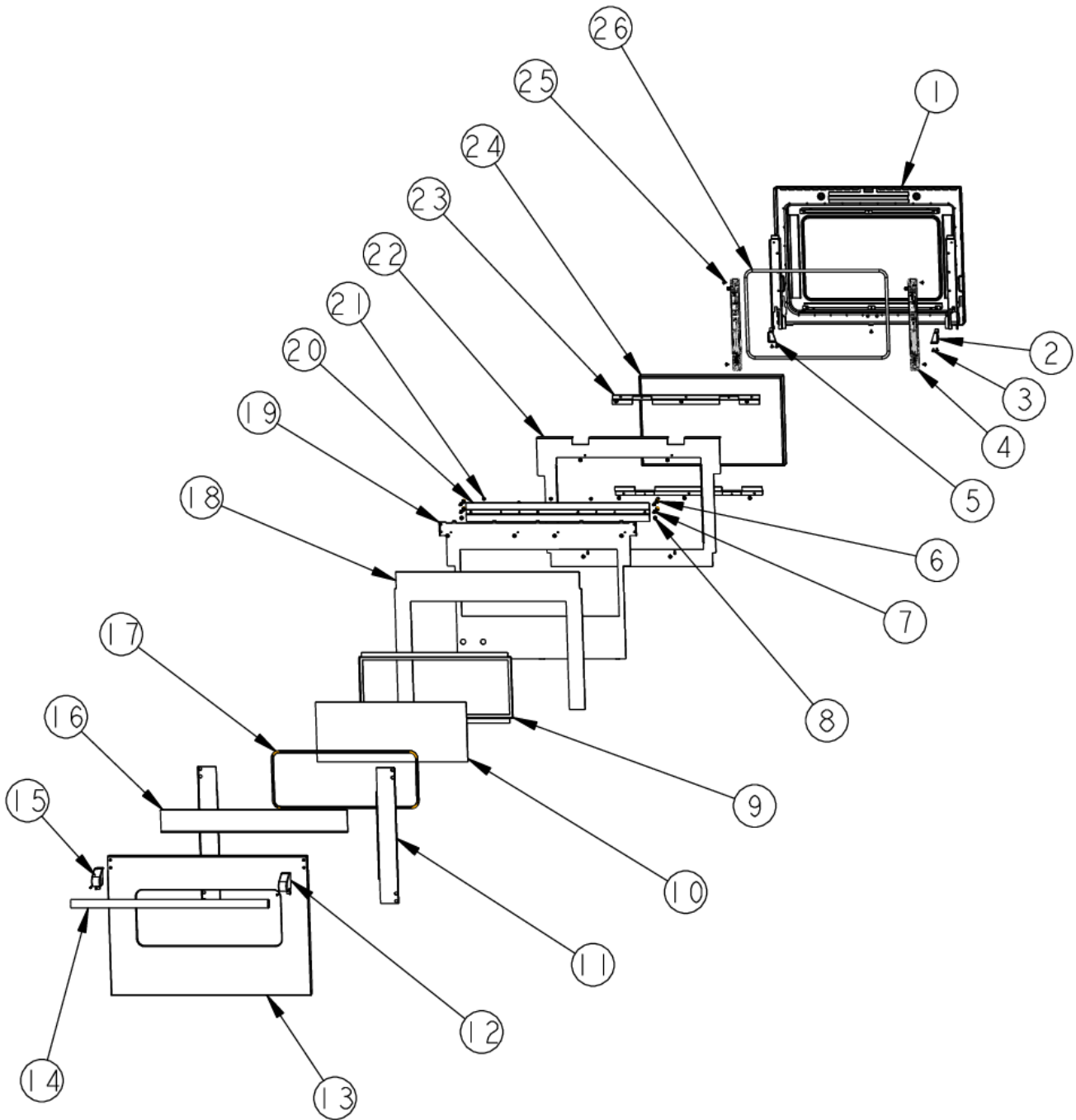


Item	Part No.	Name	Qty	Uom	NOTES
13	021144-005	SERVICE DOOR SKIN KIT 30" GG	1	EA	
13	021144-006	SERVICE DOOR SKIN KIT 30" WH	1	EA	
13	021144-007	SERVICE DOOR SKIN KIT 30" AL	1	EA	Not available online / Call for pricing and availability
13	021144-008	SERVICE DOOR SKIN KIT 30" BU	1	EA	
13	021144-009	SERVICE DOOR SKIN KIT 30" LE	1	EA	
13	021144-010	SERVICE DOOR SKIN KIT 30" MJ	1	EA	Not available online / Call for pricing and availability
13	021144-011	SERVICE DOOR SKIN KIT 30" FG	1	EA	Not available online / Call for pricing and availability
13	021144-012	SERVICE DOOR SKIN KIT 30" VB	1	EA	
13	021144-013	SERVICE DOOR SKIN KIT 30" CB	1	EA	
13	021144-014	SERVICE DOOR SKIN KIT 30" EP	1	EA	Not available online / Call for pricing and availability
13	021144-015	SERVICE DOOR SKIN KIT 30" PL	1	EA	
13	021144-016	SERVICE DOOR SKIN KIT 30" CH	1	EA	
13	021144-017	SERVICE DOOR SKIN KIT 30" TP	1	EA	
13	021144-018	SERVICE DOOR SKIN KIT 30" CW NLA	1	EA	
13	021144-019	SERVICE DOOR SKIN KIT 30" OG	1	EA	
13	021144-020	SERVICE DOOR SKIN KIT 30" GM	1	EA	
13	021144-021	SERVICE DOOR SKIN KIT 30" SA	1	EA	
13	021144-022	SERVICE DOOR SKIN KIT 30" SE	1	EA	
13	021144-023	SERVICE DOOR SKIN KIT 30" IB	1	EA	

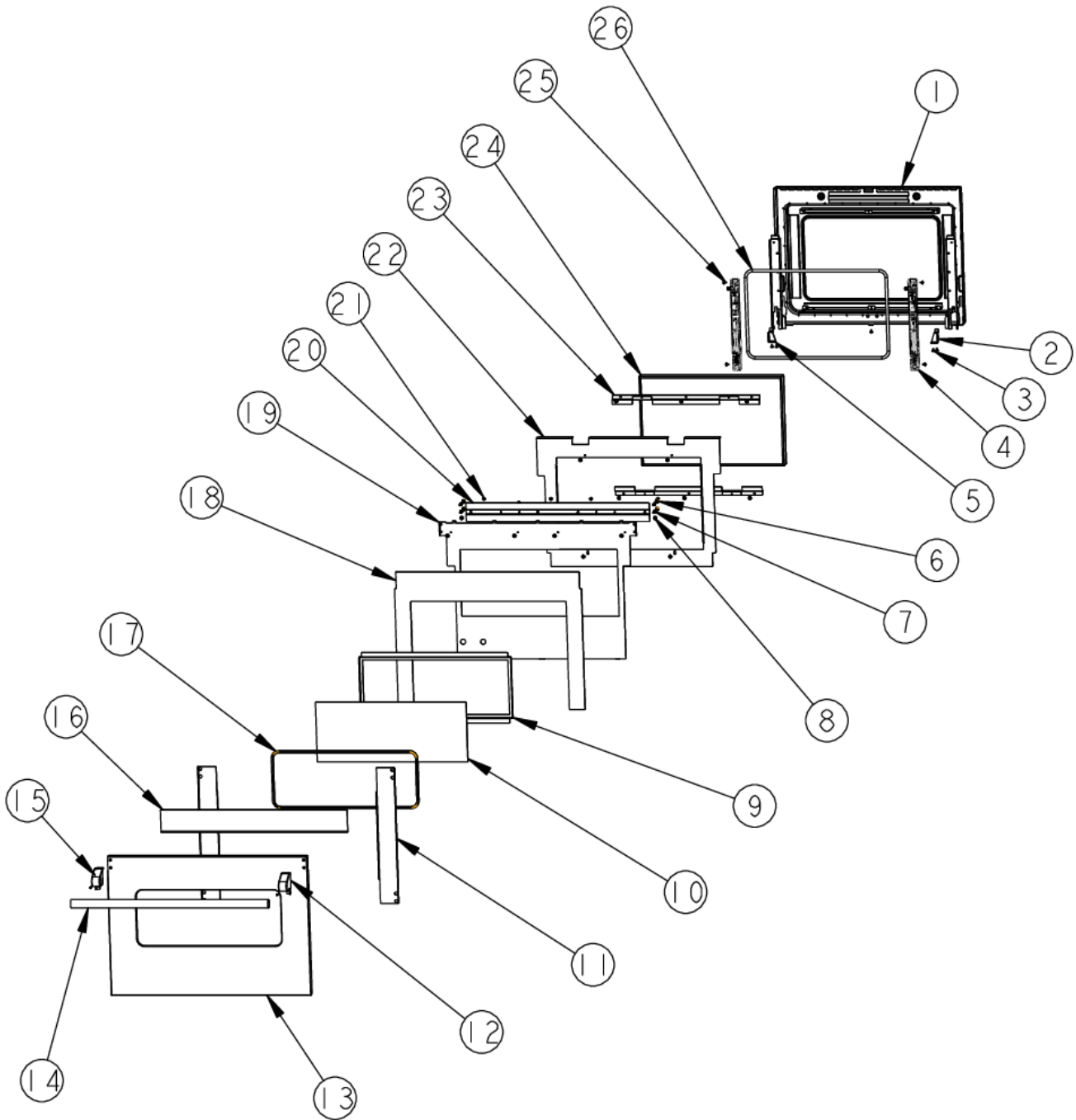




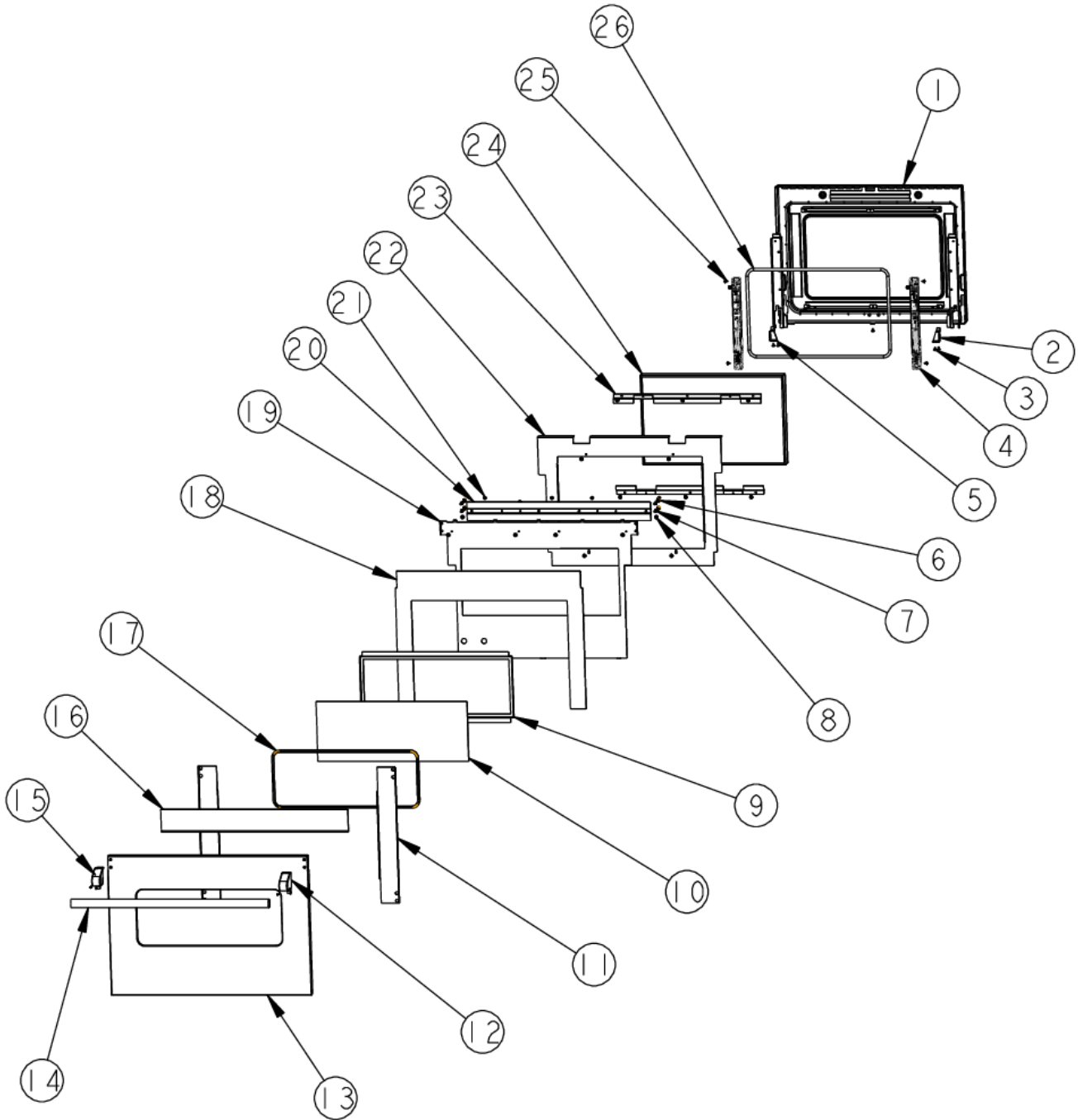
Item	Part No.	Name	Qty	Uom	NOTES
13	021144-024	SERVICE DOOR SKIN KIT 30" AR	1	EA	
13	021144-025	SERVICE DOOR SKIN KIT 30" RR	1	EA	
13	021144-026	SERVICE DOOR SKIN KIT 30" PM	1	EA	
13	021144-027	SERVICE DOOR SKIN KIT 30" MS	1	EA	
14	002728-000	DOOR HANDLE - SS, 1.25" 29.5	1	EA	
15	003011-000	DOOR HANDLE ENDCAP ASSY, LH (CHROME)	1	EA	
15	003011-100	DOOR HANDLE ENDCAP ASSY, LH (BRASS)	1	EA	
16	002724-000	DOOR SKIN HEAT SINK, 30"	1	EA	
17	PE060105	30" J-MOLD (CHROME)	1	EA	
Not Shown	NOTE	(NOT FIELD REPLACEABLE - MUST ORDER ITEM # 13)		EA	
18	006787-000	INSULATION,DOOR,SIDE,SUPE RWOOL,.25,VDSC530	2	EA	
18	006788-000	INSULATION,DOOR,TOP,SUPE RWOOL,.25,VDSC530	1	EA	
19	004176-000	DOOR SKIN INSULATION RETAINER ASSY	1	EA	
20	002732-000	DOOR SKIN MOUNTING BRACKET ASSY	1	EA	
21	PD030010	#10-24 KEPS NUT ZINC PLATED	4	EA	
22	004152-000	DOOR LINER INSULATION RETAINER, 30	1	EA	
23	004153-000	DOOR GLASS HOLDER BRACKET	2	EA	
24	PE060094	30 WINDOW PACK	1	EA	
25	PD020063	SCREW-#8(A) X 3/8"PH WFR HD/BK OXID	18	EA	
26	000594-000	BLACK FIBERGLASS ROPE 3/8	1	EA	
NI	PB070246	30" DOOR GASKET	1	EA	
NI	006804-000	DOOR SKIN ASM, 30", NO LOGO, SS	1	EA	
NI	006804-100	DOOR SKIN ASM, 30", SS/BR, NO LOGO	1	EA	Not available online / Call for pricing and availability



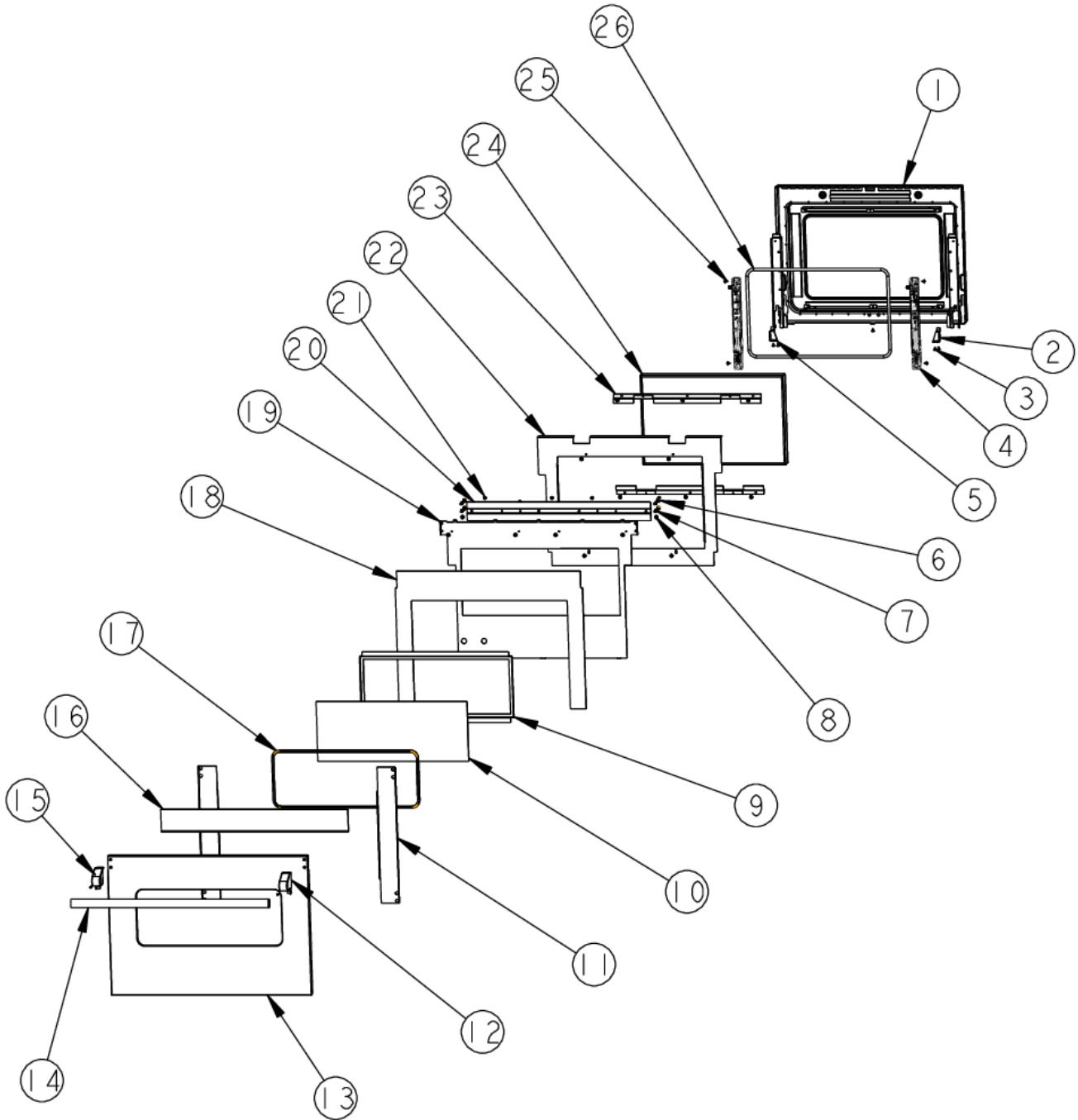
Item	Part No.	Name	Qty	Uom	NOTES
NI	013356-002	DOOR SKIN ASM, 30", NO LOGO, BK	1	EA	
NI	013356-102	DOOR SKIN ASM, 30", NO LOGO, BK/BR	1	EA	
NI	013356-003	DOOR SKIN ASM, 30", NO LOGO, BT	1	EA	
NI	013356-103	DOOR SKIN ASM, 30", NO LOGO, BT/BR	1	EA	
NI	013356-004	DOOR SKIN ASM, 30", NO LOGO, SG	1	EA	
NI	013356-104	DOOR SKIN ASM, 30", NO LOGO, SG/BR	1	EA	
NI	013356-005	DOOR SKIN ASM, 30", NO LOGO, GG	1	EA	
NI	013356-105	DOOR SKIN ASM, 30", NO LOGO, GG/BR	1	EA	
NI	013356-006	DOOR SKIN ASM, 30", NO LOGO, WH	1	EA	
NI	013356-106	DOOR SKIN ASM, 30", NO LOGO, WH/BR	1	EA	
NI	013356-007	DOOR SKIN, ASM - AL	1	EA	
NI	013356-107	DOOR SKIN, ASM - BR, AL	1	EA	
NI	013356-008	DOOR SKIN ASM, 30", NO LOGO, BU	1	EA	
NI	013356-108	DOOR SKIN ASM, 30", NO LOGO, BU/BR	1	EA	
NI	013356-009	DOOR SKIN ASM, 30", NO LOGO, LE	1	EA	
NI	013356-109	DOOR SKIN ASM, 30", NO LOGO, LE/BR	1	EA	
NI	013356-010	DOOR SKIN ASM, 30", NO LOGO, MJ	1	EA	
NI	013356-110	DOOR SKIN ASM, 30", NO LOGO, MJ/BR	1	EA	
NI	013356-011	DOOR SKIN, ASM - FG	1	EA	
NI	013356-111	DOOR SKIN, ASM - BR, FG	1	EA	
NI	013356-012	DOOR SKIN ASM, 30", NO LOGO, VB	1	EA	
NI	013356-112	DOOR SKIN ASM, 30", NO LOGO, VB/BR	1	EA	
NI	013356-013	DOOR SKIN ASM, 30", NO LOGO, CB	1	EA	



Item	Part No.	Name	Qty	Uom	NOTES
NI	013356-113	DOOR SKIN ASM, 30", NO LOGO, CB/BR	1	EA	
NI	013356-014	DOOR SKIN, ASM - EP	1	EA	
NI	013356-114	DOOR SKIN, ASM - BR, EP	1	EA	
NI	013356-015	DOOR SKIN ASM, 30", NO LOGO, PL	1	EA	
NI	013356-115	DOOR SKIN ASM, 30", NO LOGO, PL/BR	1	EA	
NI	013356-016	DOOR SKIN ASM, 30", NO LOGO, CH	1	EA	
NI	013356-116	DOOR SKIN ASM, 30", NO LOGO, CH/BR	1	EA	
NI	013356-017	DOOR SKIN ASM, 30", NO LOGO, TP	1	EA	
NI	013356-117	DOOR SKIN ASM, 30", NO LOGO, TP/BR	1	EA	
NI	013356-018	DOOR SKIN ASM, 30", NO LOGO, CW NLA	1	EA	
NI	013356-118	DOOR SKIN ASM, 30", NO LOGO, CW/BR	1	EA	
NI	013356-019	DOOR SKIN ASM, 30", NO LOGO, OG	1	EA	
NI	013356-119	DOOR SKIN ASM, 30", NO LOGO, OG/BR	1	EA	
NI	013356-020	DOOR SKIN ASM, 30", NO LOGO, GM	1	EA	
NI	013356-120	DOOR SKIN ASM, 30", NO LOGO, GM/BR	1	EA	
NI	013356-021	DOOR SKIN ASM, 30", NO LOGO, SA	1	EA	
NI	013356-121	DOOR SKIN ASM, 30", NO LOGO, SA/BR	1	EA	
NI	013356-022	DOOR SKIN ASM, 30", NO LOGO, SE	1	EA	
NI	013356-122	DOOR SKIN ASM, 30", NO LOGO, SE/BR	1	EA	
NI	013356-023	DOOR SKIN ASM, 30", NO LOGO, IB	1	EA	
NI	013356-123	DOOR SKIN ASM, 30", NO LOGO, IB/BR	1	EA	
NI	013356-024	DOOR SKIN ASM, 30", NO LOGO, AR	1	EA	

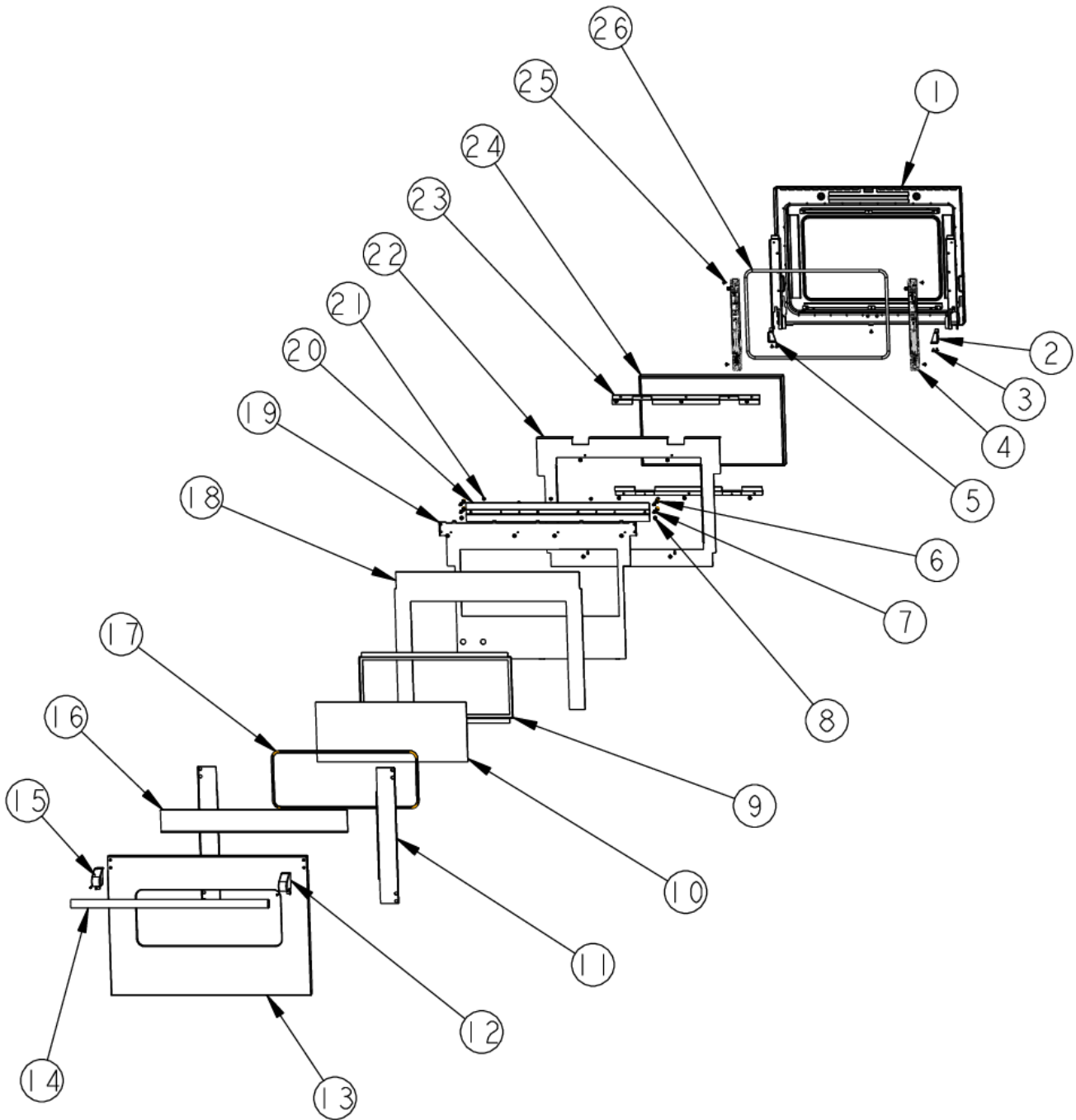


Item	Part No.	Name	Qty	Uom	NOTES
NI	013356-124	DOOR SKIN ASM, 30", NO LOGO, AR/BR	1	EA	
NI	013356-025	DOOR SKIN ASM, 30", NO LOGO, RR	1	EA	
NI	013356-125	DOOR SKIN ASM, 30", NO LOGO, RR/BR	1	EA	
NI	013356-026	DOOR SKIN ASM, 30", NO LOGO, PM	1	EA	
NI	013356-126	DOOR SKIN ASM, 30", NO LOGO, PM/BR	1	EA	
NI	013356-027	DOOR SKIN ASM, 30", NO LOGO, MS	1	EA	
NI	013356-127	DOOR SKIN ASM, 30", NO LOGO, MS/BR	1	EA	
NI	006805-000	DOOR ASM, 30" - NO LOGO, RH, SS	1	EA	
NI	006805-100	DOOR ASM, 30" - NO LOGO, RH, SS/BR	1	EA	
NI	013355-002	DOOR ASM, 30", DECARB, NO LOGO, RH, BK	1	EA	
NI	013355-102	DOOR ASM, 30", DECARB, NO LOGO, RH, BK/BR	1	EA	
NI	013355-003	DOOR ASM, 30", DECARB, NO LOGO, RH, BT	1	EA	
NI	013355-103	DOOR ASM, 30", DECARB, NO LOGO, RH, BT/BR	1	EA	
NI	013355-004	DOOR ASM, 30", DECARB, NO LOGO, RH, SG	1	EA	
NI	013355-104	DOOR ASM, 30", DECARB, NO LOGO, RH, SG/BR	1	EA	
NI	013355-005	DOOR ASM, 30", DECARB, NO LOGO, RH, GG	1	EA	
NI	013355-105	DOOR ASM, 30", DECARB, NO LOGO, RH, GG/R	1	EA	
NI	013355-006	DOOR ASM, 30", DECARB, NO LOGO, RH, WH	1	EA	Not available online / Call for pricing and availability
NI	013355-106	DOOR ASM, 30", DECARB, NO LOGO, RH, WH/BR	1	EA	
NI	013355-007	DOOR ASM, 30", DECARB, NO LOGO, RH, AL	1	EA	Not available online / Call for pricing and availability





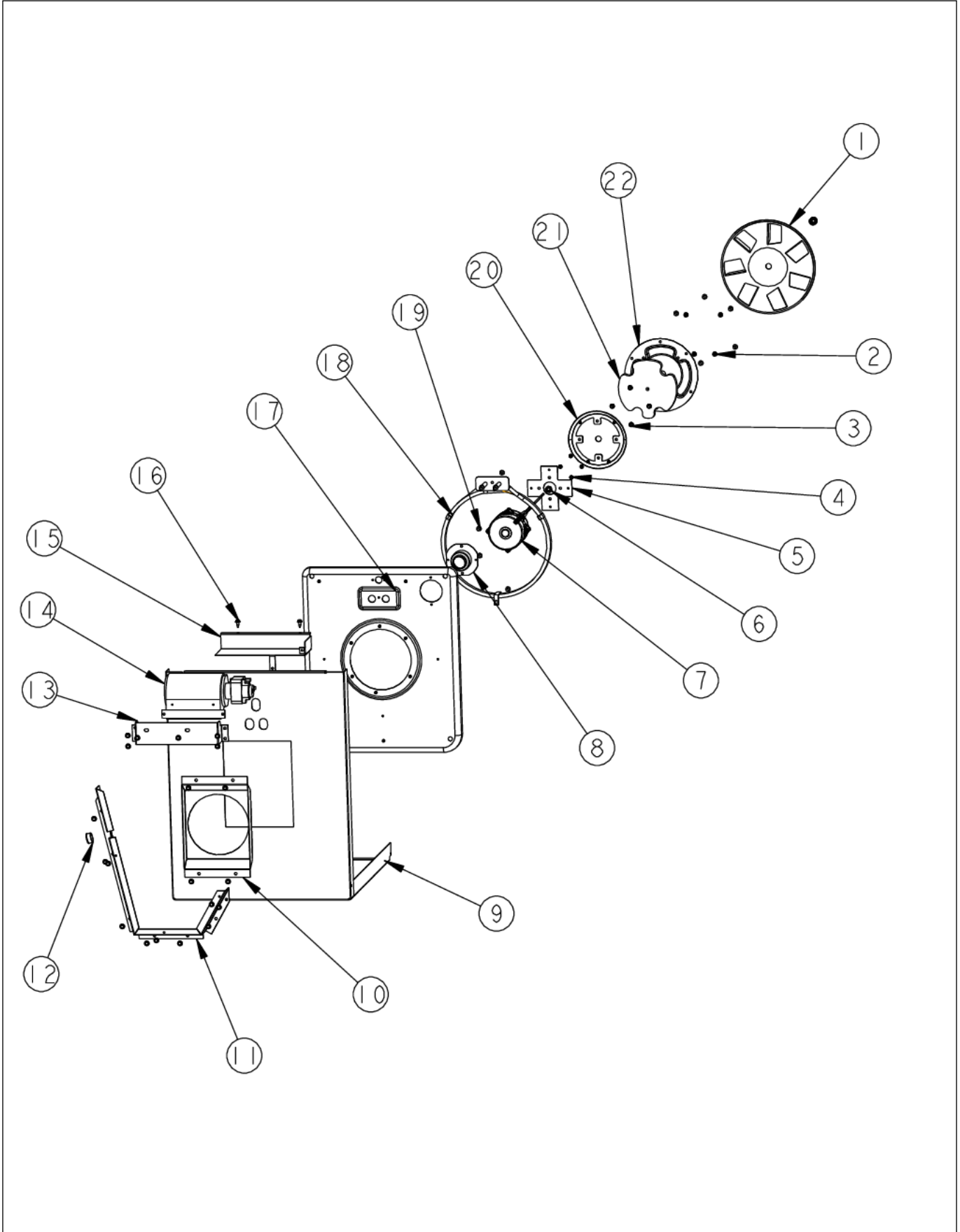
Item	Part No.	Name	Qty	Uom	NOTES
NI	013355-107	DOOR ASM, 30", DECARB, NO LOGO, RH, AL/BR	1	EA	
NI	013355-008	DOOR ASM, 30", DECARB, NO LOGO, RH, BU	1	EA	
NI	013355-108	DOOR ASM, 30", DECARB, NO LOGO, RH, BU/BR	1	EA	
NI	013355-009	DOOR ASM, 30", DECARB, NO LOGO, RH, LE	1	EA	
NI	013355-109	DOOR ASM, 30", DECARB, NO LOGO, RH, LE/BR	1	EA	
NI	013355-010	DOOR ASM, 30", DECARB, NO LOGO, RH, MJ	1	EA	Not available online / Call for pricing and availability
NI	013355-110	DOOR ASM, 30", DECARB, NO LOGO, RH, MJ/BR	1	EA	
NI	013355-011	DOOR ASM, 30", DECARB, NO LOGO, RH, FG	1	EA	
NI	013355-111	DOOR ASM, 30", DECARB, NO LOGO, RH, FG/BR	1	EA	
NI	013355-012	DOOR ASM, 30", DECARB, NO LOGO, RH, VB	1	EA	
NI	013355-112	DOOR ASM, 30", DECARB, NO LOGO, RH, VB/BR	1	EA	
NI	013355-013	DOOR ASM, 30", DECARB, NO LOGO, RH, CB	1	EA	
NI	013355-113	DOOR ASM, 30", DECARB, NO LOGO, RH, CB/BR	1	EA	
NI	013355-014	DOOR ASM, 30", DECARB, NO LOGO, RH, EP	1	EA	
NI	013355-114	DOOR ASM, 30", DECARB, NO LOGO, RH, EP/BR	1	EA	
NI	013355-015	DOOR ASM, 30", DECARB, NO LOGO, RH, PL	1	EA	
NI	013355-115	DOOR ASM, 30", DECARB, NO LOGO, RH, PL/BR	1	EA	
NI	013355-016	DOOR ASM, 30", DECARB, NO LOGO, RH, CH	1	EA	
NI	013355-116	DOOR ASM, 30", DECARB, NO LOGO, RH, CH/BR	1	EA	
NI	013355-017	DOOR ASM, 30", DECARB, NO LOGO, RH, TP	1	EA	
NI	013355-117	DOOR ASM, 30", DECARB, NO LOGO, RH, TP/BR	1	EA	



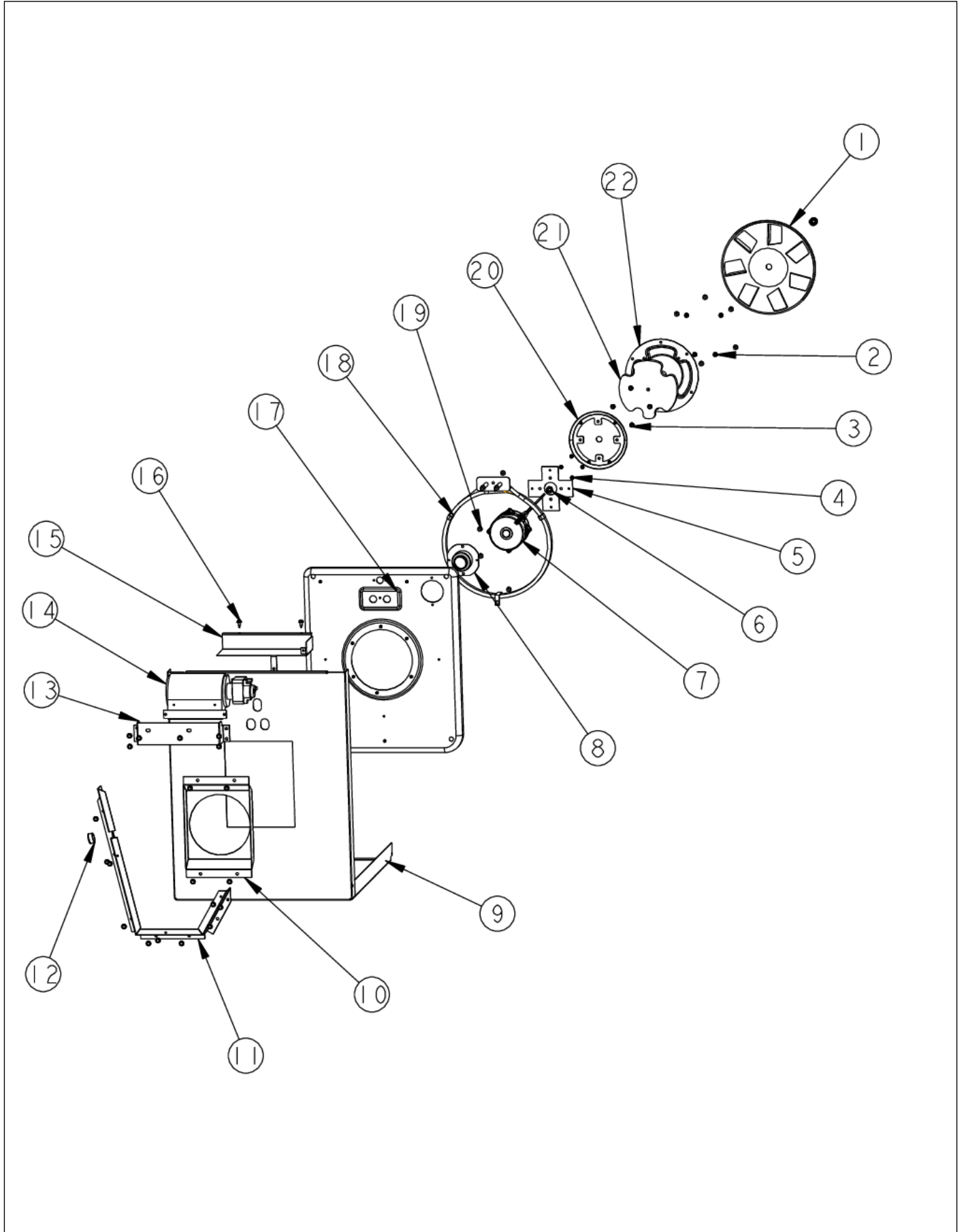


Item	Part No.	Name	Qty	Uom	NOTES
NI	013355-018	DOOR ASM, 30", DECARB, NO LOGO, RH, CW NLA	1	EA	
NI	013355-118	DOOR ASM, 30", DECARB, NO LOGO, RH, CW/BR	1	EA	
NI	013355-019	DOOR ASM, 30", DECARB, NO LOGO, RH, OG	1	EA	
NI	013355-119	DOOR ASM, 30", DECARB, NO LOGO, RH, OG/BR	1	EA	
NI	013355-020	DOOR ASM, 30", DECARB, NO LOGO, RH, GM	1	EA	
NI	013355-120	DOOR ASM, 30", DECARB, NO LOGO, RH, GM/BR	1	EA	
NI	013355-021	DOOR ASM, 30", DECARB, NO LOGO, RH, SA	1	EA	
NI	013355-121	DOOR ASM, 30", DECARB, NO LOGO, RH, SA/BR	1	EA	
NI	013355-022	DOOR ASM, 30", DECARB, NO LOGO, RH, SE	1	EA	
NI	013355-122	DOOR ASM, 30", DECARB, NO LOGO, RH, SE/BR	1	EA	
NI	013355-023	DOOR ASM, 30", DECARB, NO LOGO, RH, IB	1	EA	
NI	013355-123	DOOR ASM, 30", DECARB, NO LOGO, RH, IB/BR	1	EA	
NI	013355-024	DOOR ASM, 30", DECARB, NO LOGO, RH, AR	1	EA	
NI	013355-124	DOOR ASM, 30", DECARB, NO LOGO, RH, AR/BR	1	EA	
NI	013355-025	DOOR ASM, 30", DECARB, NO LOGO, RH, RR	1	EA	
NI	013355-125	DOOR ASM, 30", DECARB, NO LOGO, RH, RR/BR	1	EA	
NI	013355-026	DOOR ASM, 30", DECARB, NO LOGO, RH, PM	1	EA	
NI	013355-126	DOOR ASM, 30", DECARB, NO LOGO, RH, PM/BR	1	EA	
NI	013355-027	DOOR ASM, 30", DECARB, NO LOGO, RH, MS	1	EA	
NI	013355-127	DOOR ASM, 30", DECARB, NO LOGO, RH, MS/VR	1	EA	

FAN ASSY LT



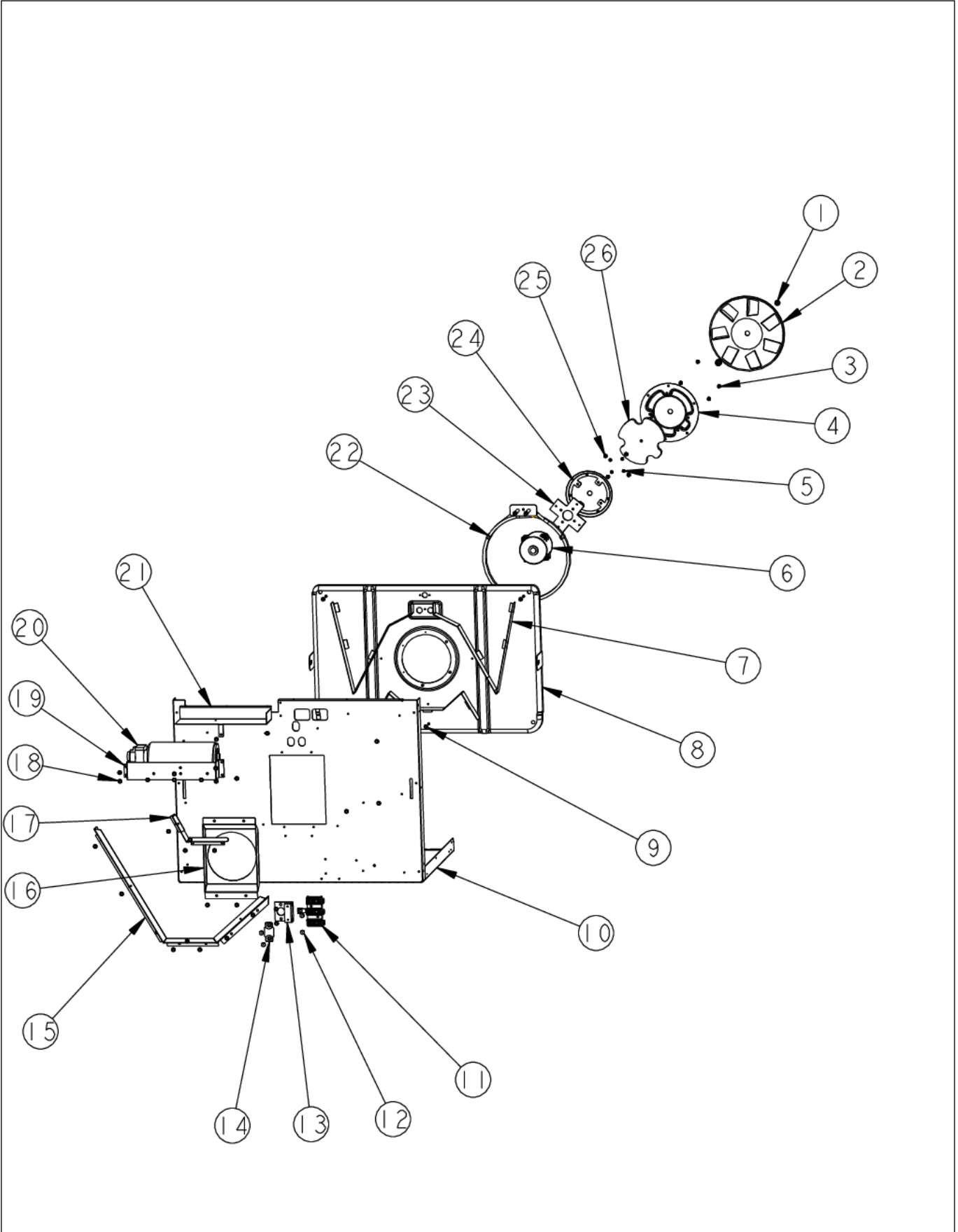
Item	Part No.	Name	Qty	Uom	NOTES
1	PE050227	CONVECTION FAN BLADE ASSY	1	EA	
2	PD020055	' #10 X 1/2" PAN PHIL. TEK.*SS*	4	EA	
3	PD020004	10X3/8PH.HD.TYPE 25 REPL PD040125	4	EA	
4	PD010028	BOLT M4X5	4	EA	
5	A10012735	EBM FAN MOTOR ADAPTER	1	EA	Not available online / Call for pricing and availability
6	PD030149	5/16 NUT	1	EA	
7	005458-000	FAN, MOTOR, CONVECTION, VDSC18" OVEN	1	EA	
8	PM010014	SMOKE ELIMINATOR (VDSC)	1	EA	
9	006167-000	OVEN, BACK, BOT, ASM, VDSC18"	1	EA	
10	A2009697	BRACKET, CONVECTION INSULATION	1	EA	
11	007248-000	BAFFLE, FAN, REAR, VDSC18"	1	EA	
12	PD040005	SNAP BUSHING - 7/8"	1	EA	
13	007420-000	COOLING, FAN, MOUNTING, BRACKET, VDSC18"	1	EA	
14	007794-000	COOLING FAN, VDSC 18"	1	EA	
Not Shown	NOTE	(BEFORE 8/12/2013)		EA	
14	018608-000	FAN, BLO, 220-240V 50/60Hz ASM (MT1712)	1	EA	
Not Shown	NOTE	(ON OR AFTER 8/12/2013)		EA	
15	007419-000	BRACKET, FAN, MT, BOT, VDSC 18"	1	EA	
16	003860-000	10-18 x .500 FASTNR,SCR,HXWH,STL,ZPLT	23	EA	
17	NOT REPLACEABLE	BAFFLE, CONVECTION, ASM (006176-000)	1	EA	
18	PJ010047	CONVECTION ELEMENT	1	EA	
19	PD020048	NO.10 X 1/2 TEK 410 SS SCREW	10	EA	
20	A21012728	BRKT, MTG, CONV MOTOR	1	EA	Not available online / Call for pricing and availability





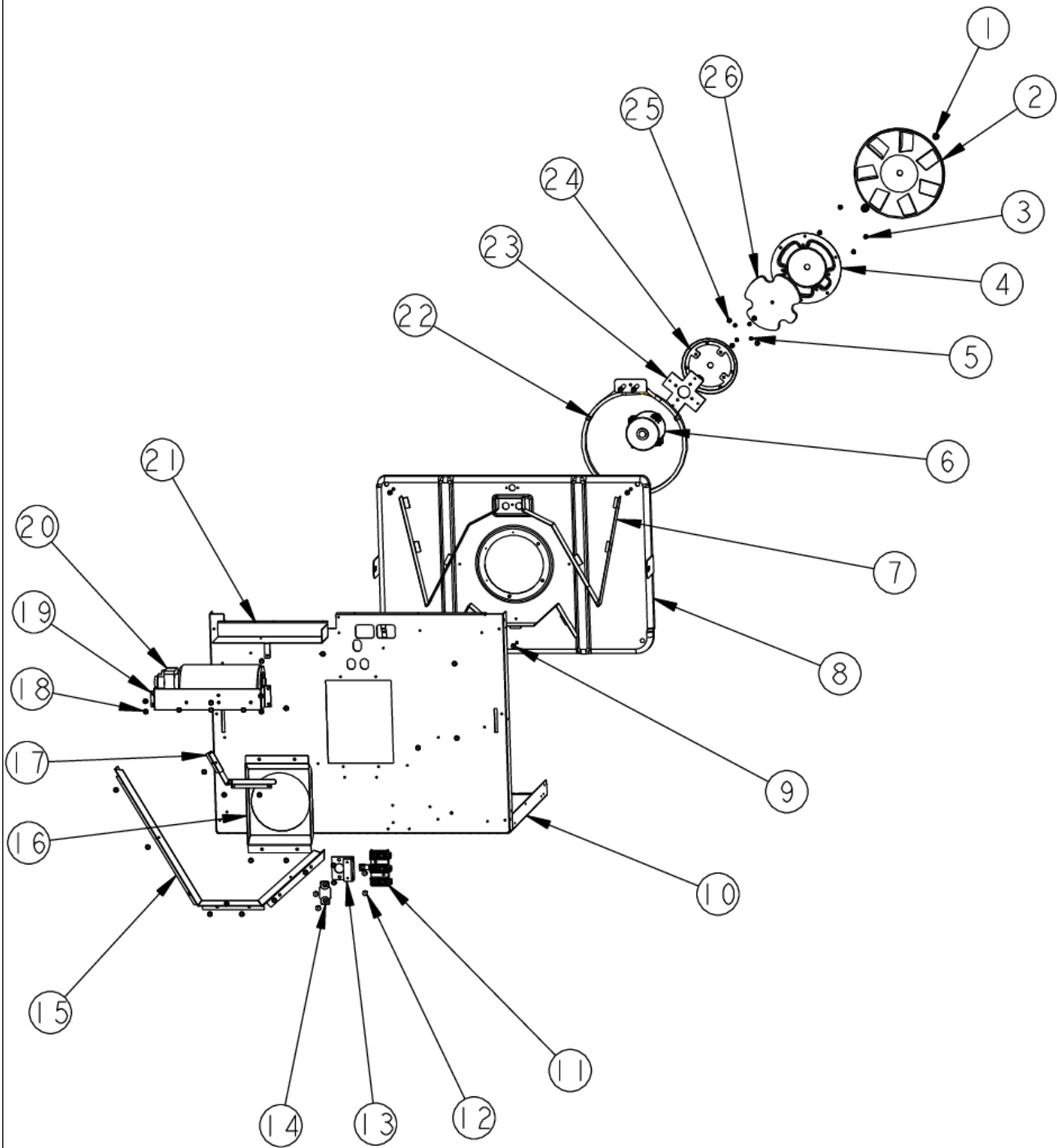
Item	Part No.	Name	Qty	Uom	NOTES
21	PB070312	CONVECTION MOTOR MTG. PLATE INSULATION	1	EA	
22	023116-000	PLATE, MOUNTING, CONVECTION MOTOR	1	EA	

FAN ASSY RT





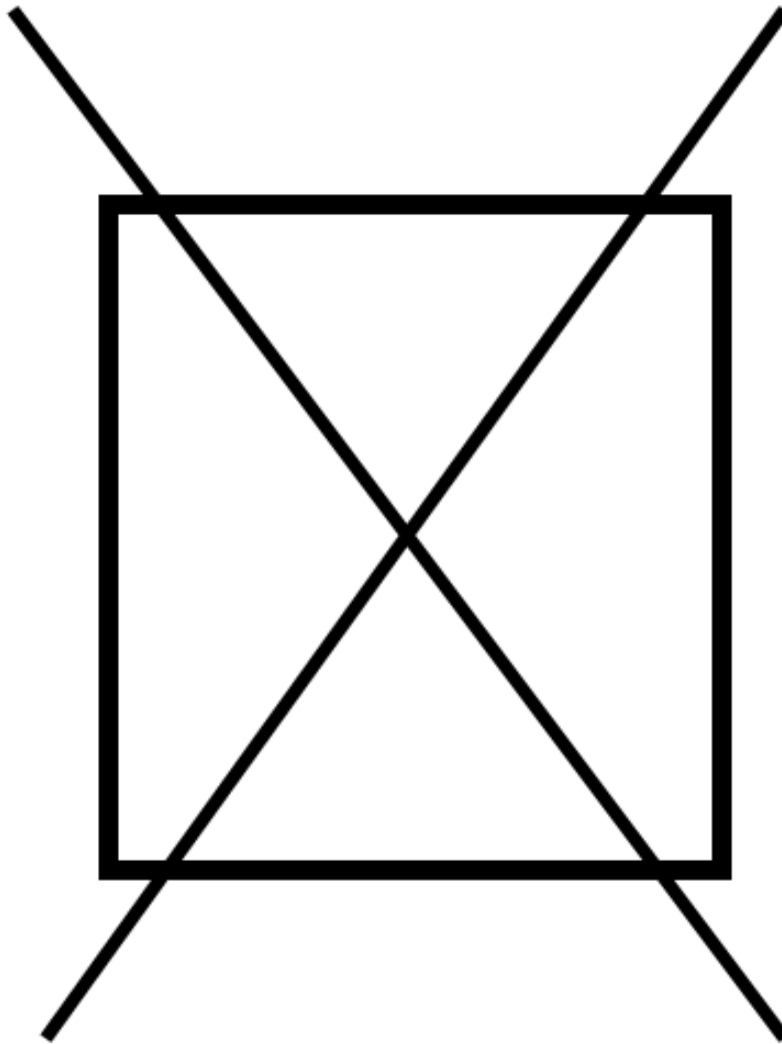
Item	Part No.	Name	Qty	Uom	NOTES
1	PD030149	5/16 NUT	1	EA	
2	PE050227	CONVECTION FAN BLADE ASSY	1	EA	
3	PD020055	' #10 X 1/2" PAN PHIL. TEK.*SS*	4	EA	
4	023116-000	PLATE, MOUNTING, CONVECTION MOTOR	1	EA	
5	PD010028	BOLT M4X5	4	EA	
6	PE050203	CONVECTION MOTOR	1	EA	
7	G91013598	30" BAFFLE ASSEMBLY	1	EA	
8	NOT REPLACEABLE	OVEN CAVITY, 36" (G30014040)	1	EA	
9	PD020048	NO.10 X 1/2 TEK 410 SS SCREW	3	EA	
10	003818-000	OVEN BOTTOM, BACK WRAP ASSY - NLA	1	EA	NO LONGER AVAILABLE
11	PE070147	TERMINAL BLOCK (VDSC)	1	EA	
12	PD020014	10X3/4 PH TR HD SMS	4	EA	
13	A2002195	POWER CORD MOUNTING BRKT (VDSC)	1	EA	
14	A1002457	POWER CORD MOUNTING STRAP (VDSC)	1	EA	
15	002941-000	BAFFLE, FAN, REAR	1	EA	
16	A2009697	BRACKET, CONVECTION INSULATION	1	EA	
17	003356-000	DIVERTER, AIR	1	EA	
18	003860-000	10-18 x .500 FASTNR,SCR,HXWH,STL,ZPLT	30	EA	
19	004110-000	Blower Mount	1	EA	
20	PE050250	Blower	1	EA	
<p>Comments for Part Num. PE050250</p> <p>highendappsvc@gmail.com on Jan 28, 2019</p> <p>If you need to replace cooling fan for the model vgsc5486gss serial date code 031412, do not order this fan, this fan is larger and configured wrong. The correct fan is 007794-000. it is smaller.</p>					
Not Shown	NOTE	(BEFORE 8/10/2013)		EA	
20	018607-000	FAN, BLO, 220-240V 50/60Hz ASM (MT1664)	1	EA	





Item	Part No.	Name	Qty	Uom	NOTES
Not Shown	NOTE	(ON OR AFTER 8/10/2013)		EA	
21	A2009659	Blower Bracket	1	EA	
22	PJ010047	CONVECTION ELEMENT	1	EA	
23	A10012735	EBM FAN MOTOR ADAPTER	1	EA	Not available online / Call for pricing and availability
24	A21012728	BRKT, MTG, CONV MOTOR	1	EA	Not available online / Call for pricing and availability
25	PD020004	10X3/8PH.HD.TYPE 25 REPL PD040125	4	EA	
26	PB070312	CONVECTION MOTOR MTG. PLATE INSULATION	1	EA	
27	PD020032	SRW-8(A)X3/8"PH.WFR HD 7/16DIA*NICL	1	EA	

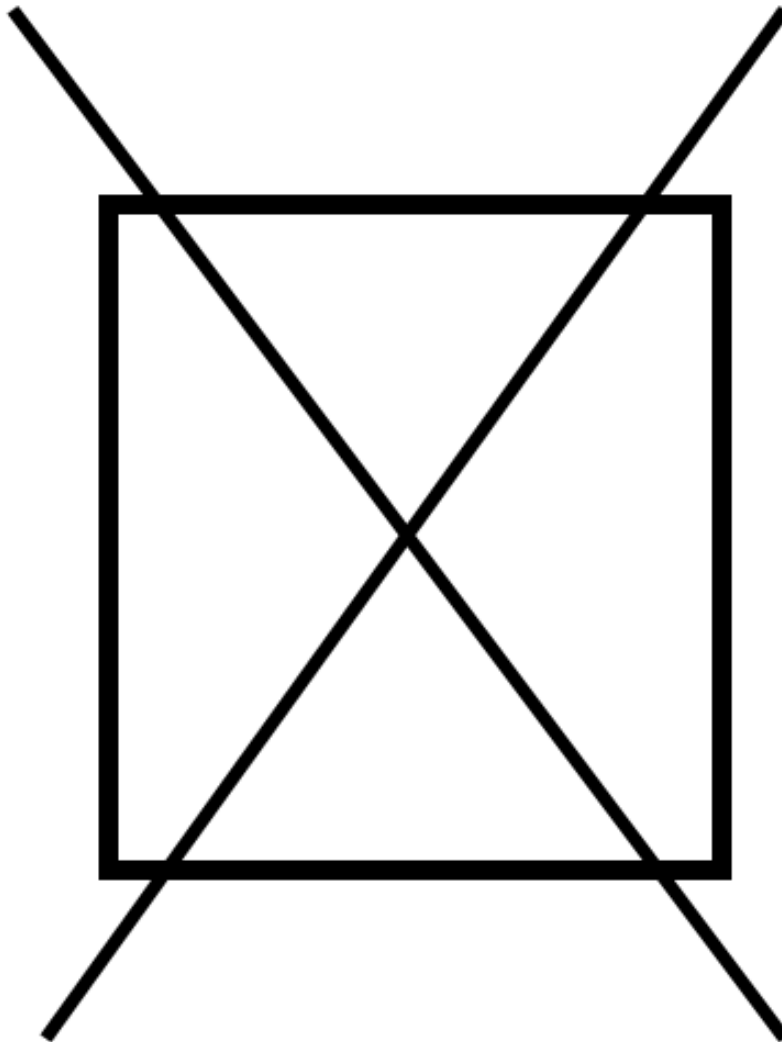
NON
ILLUSTRATED PART





Item	Part No.	Name	Qty	Uom	NOTES
NI	PE070892	IRIS HARNESS - 60"	1	EA	
NI	000647-000	IRIS IGNITOR WIRE, FRONT BURNER	2	EA	
NI	006766-000	IRIS IGNITOR WIRE, BACK BURNER	2	EA	
NI	015357-000	IGNITOR, W/WIRE	2	EA	

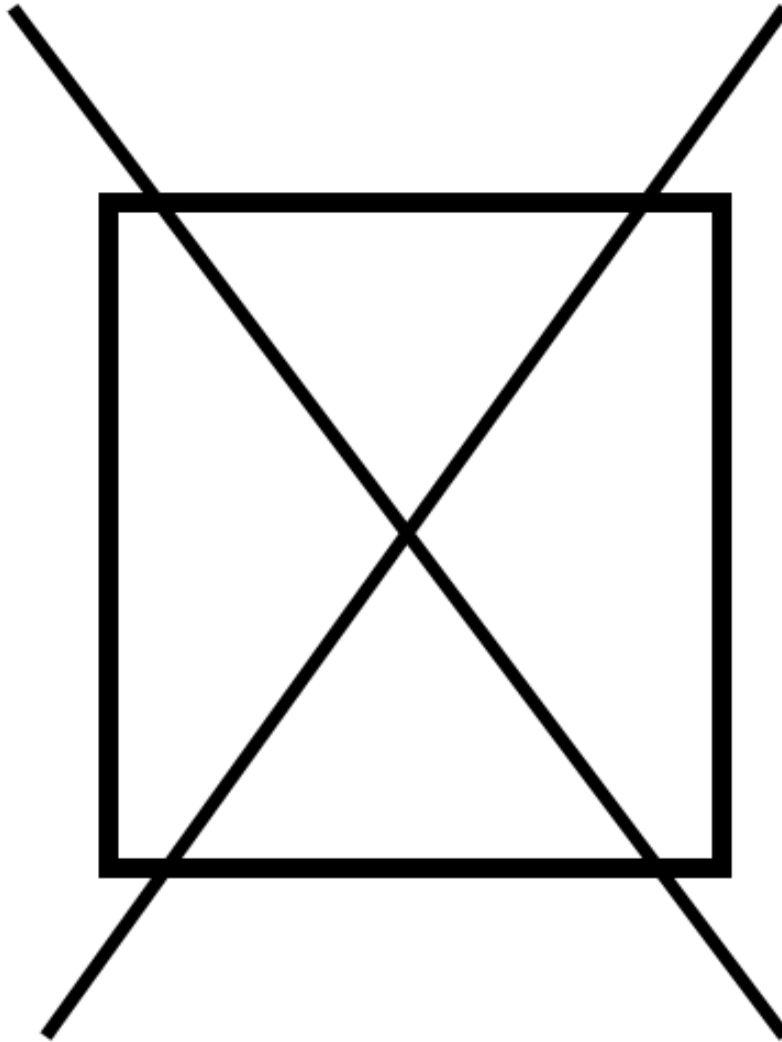
NON
ILLUSTRATED PART





Item	Part No.	Name	Qty	Uom	NOTES
NI	004295-000	HARNESS,POWER,IRIS,45" LONG	1	EA	
Not Shown	NOTE	(BEFORE 7/29/10)		EA	

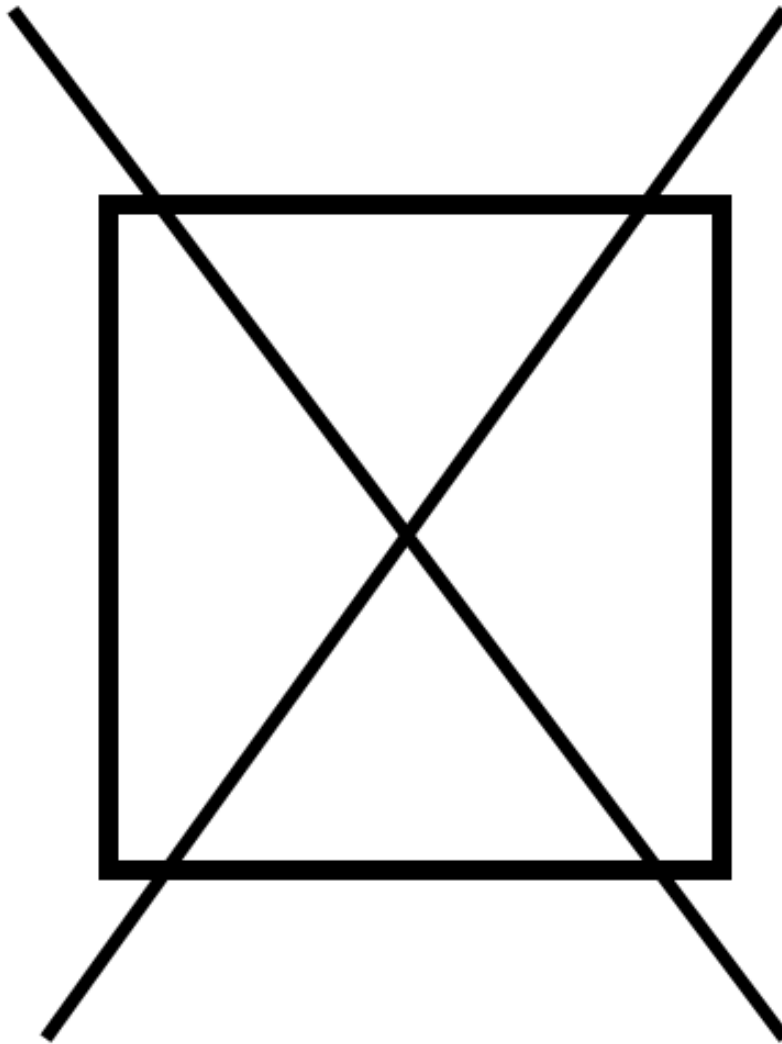
NON
ILLUSTRATED PART





Item	Part No.	Name	Qty	Uom	NOTES
NI	009645-000	MODEL HEADER 11	1	EA	
Not Shown	NOTE	(BEFORE 9/29/10 AND ON OR AFTER 9/29/10)		EA	

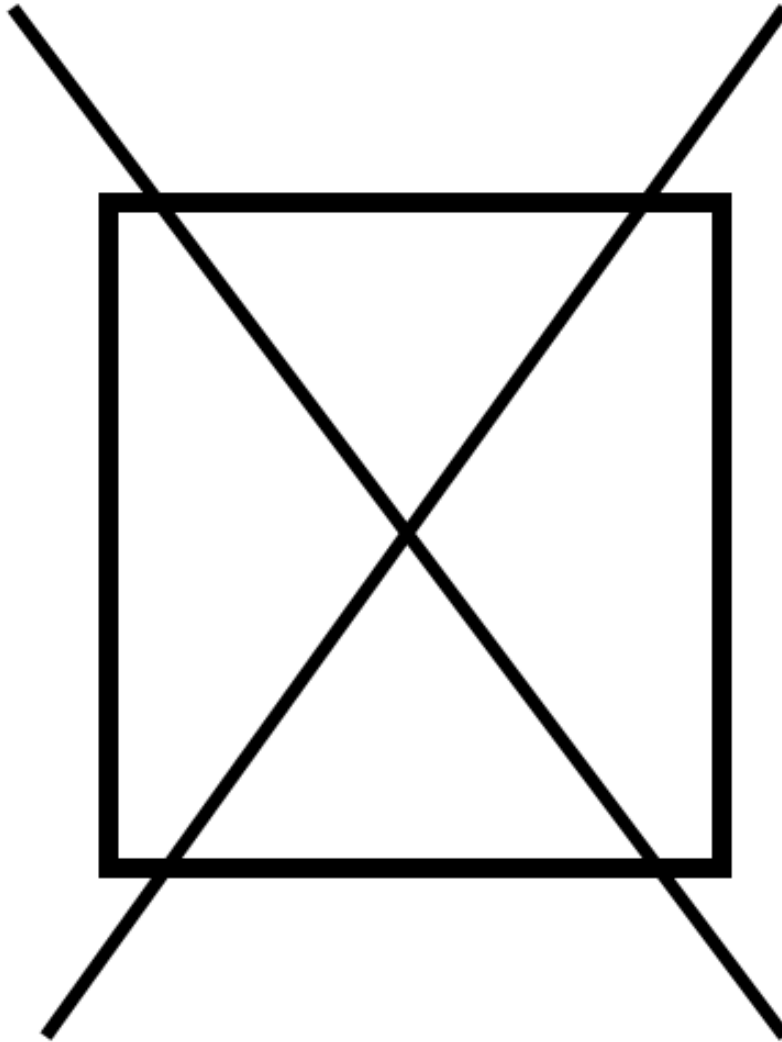
NON
ILLUSTRATED PART





Item	Part No.	Name	Qty	Uom	NOTES
NI	013295-000	HARNESS, LIGHT SWITCH, VDSC548	1	EA	

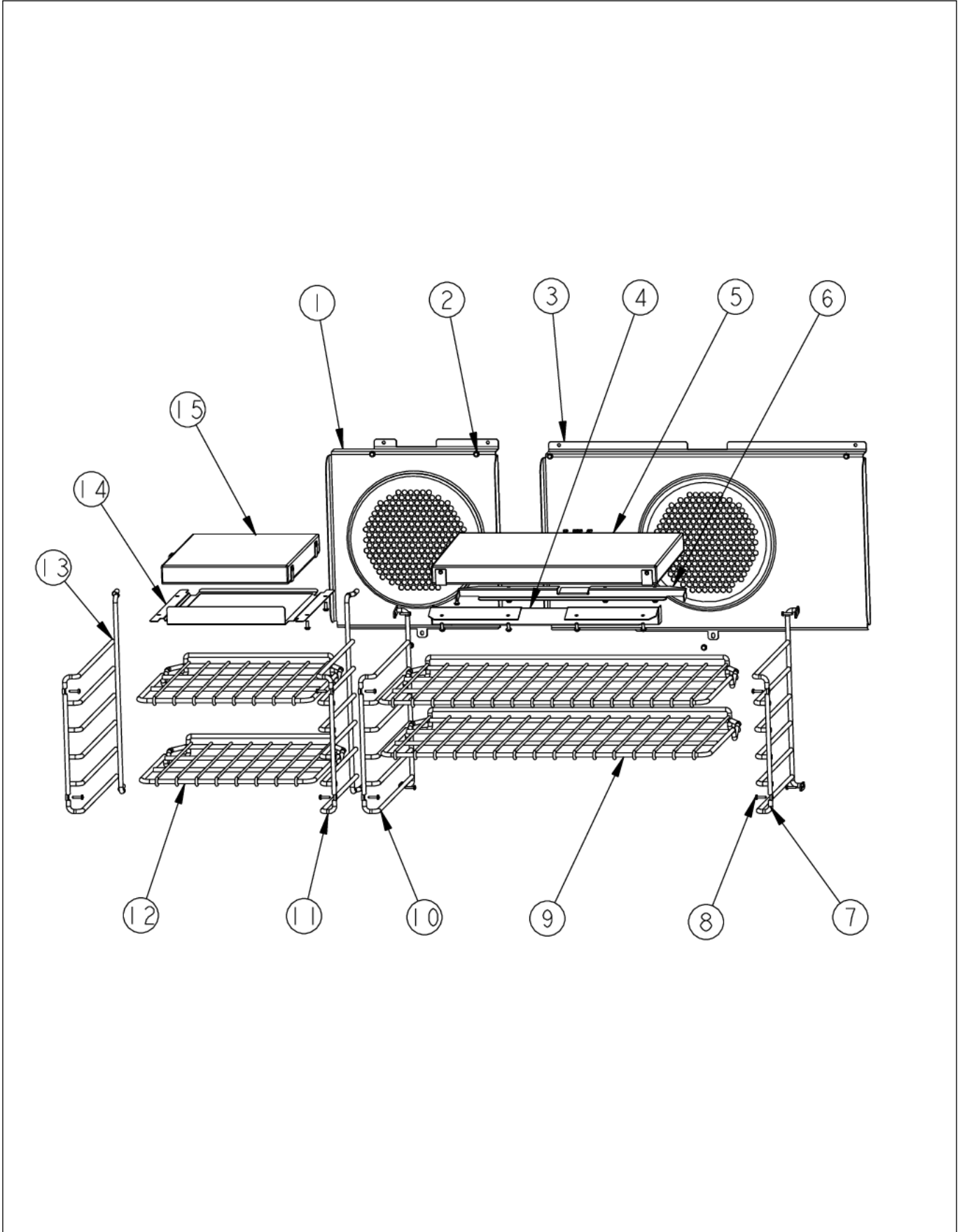
NON
ILLUSTRATED PART





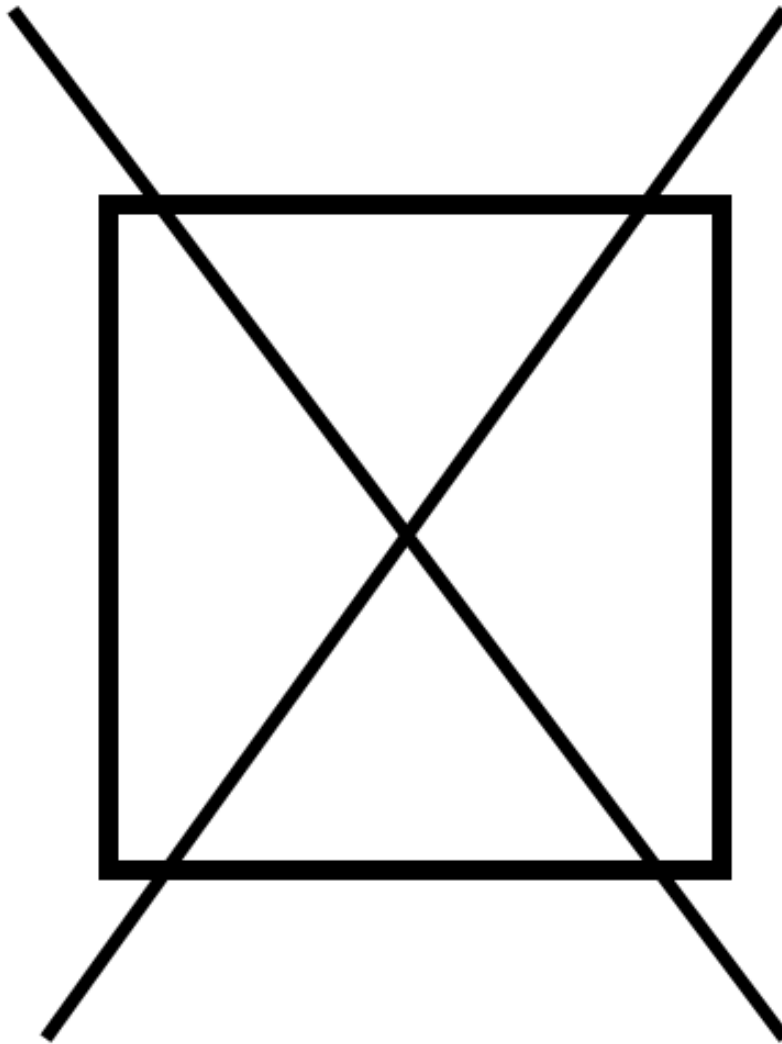
Item	Part No.	Name	Qty	Uom	NOTES
NI	000915-000	LIMIT JUMPER	2	EA	
Not Shown	NOTE	(BEFORE 7/29/10)		EA	

OVEN INTERIOR



Item	Part No.	Name	Qty	Uom	NOTES
1	006176-000	BAFFLE, CNVN, ASM, VDSC 18"	1	EA	
2	PD020048	NO.10 X 1/2 TEK 410 SS SCREW	16	EA	
3	G91013598	30" BAFFLE ASSEMBLY	1	EA	
4	024234-000	BRACKET, BROILER, FRONT	1	EA	
5	024040-000	ELEMENT, RIBBON	1	EA	
Comments for Part Num. 024040-000 jhobbs@kimballinc.com on Jan 4, 2019 Please Correct the part number on this (057872-000)					
6	024221-000	BRACKET, BROILER, REAR	1	EA	
7	PB060103	RACK SUPPORT RH	1	EA	
8	PD020232	#8 X 3/4" PH PAN HEAD TEK SCREW (BLACK OXIDE)	12	EA	
9	PB060107	30" OVEN RACK	2	EA	
10	PB060104	RACK SUPPORT LH	1	EA	
11	066478-402	SUPPORT, RACK, RHS, PORCELAIN	1	EA	
12	006379-000	OVEN, RACK, ASM, STANDARD, VDSC18	2	EA	
13	066479-402	SUPPORT, RACK, LHS, PORCELAIN	1	EA	
14	006748-000	BRACKET,SST,201HP,MILL,VD SC18",GLASS BROILER	1	EA	
15	006380-000	ELEMENT, GLASS, BROILER, 18"	1	EA	
16	PD020032	SRW-8(A)X3/8"PH.WFR HD 7/16DIA*NICL	1	EA	

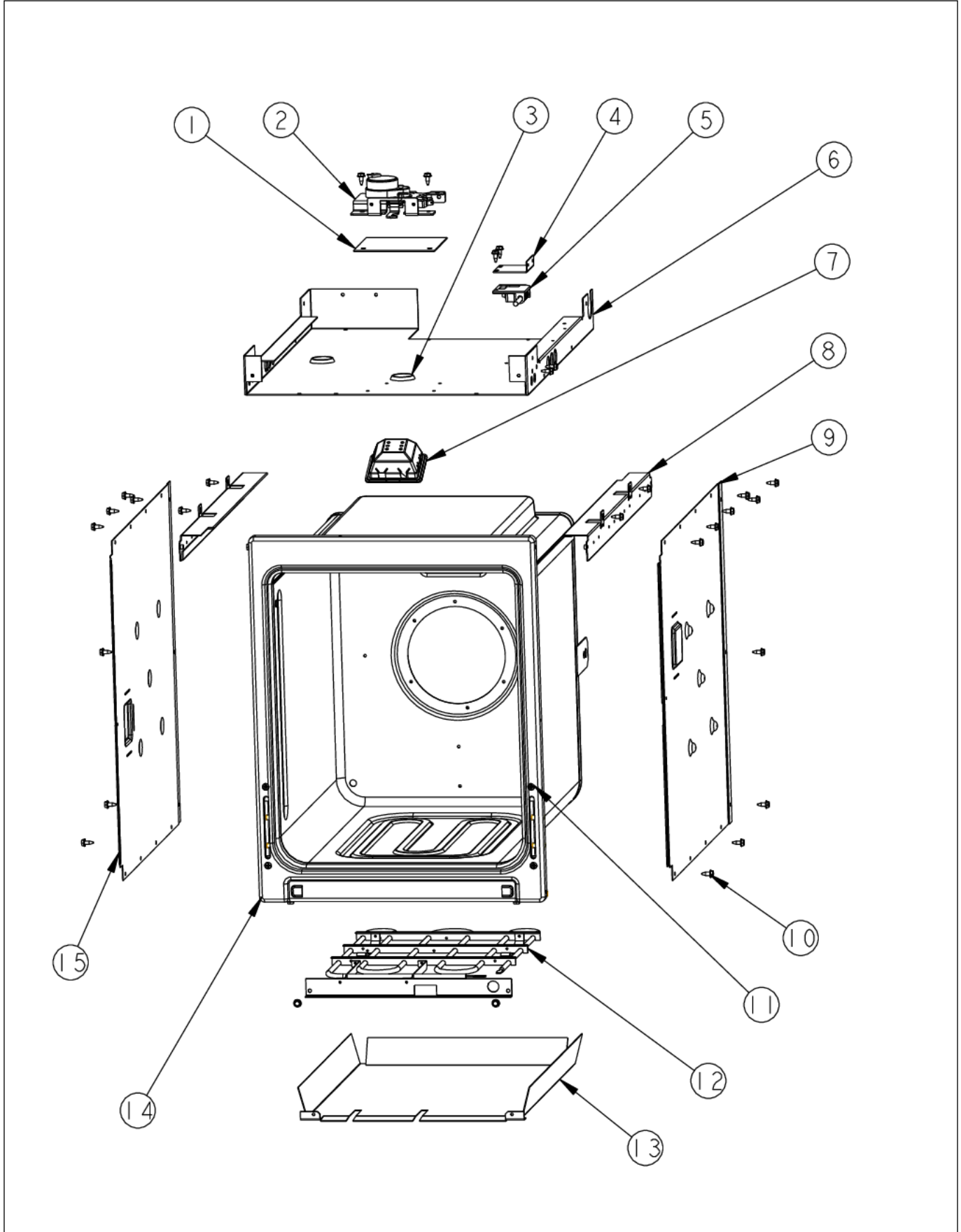
NON
ILLUSTRATED PART





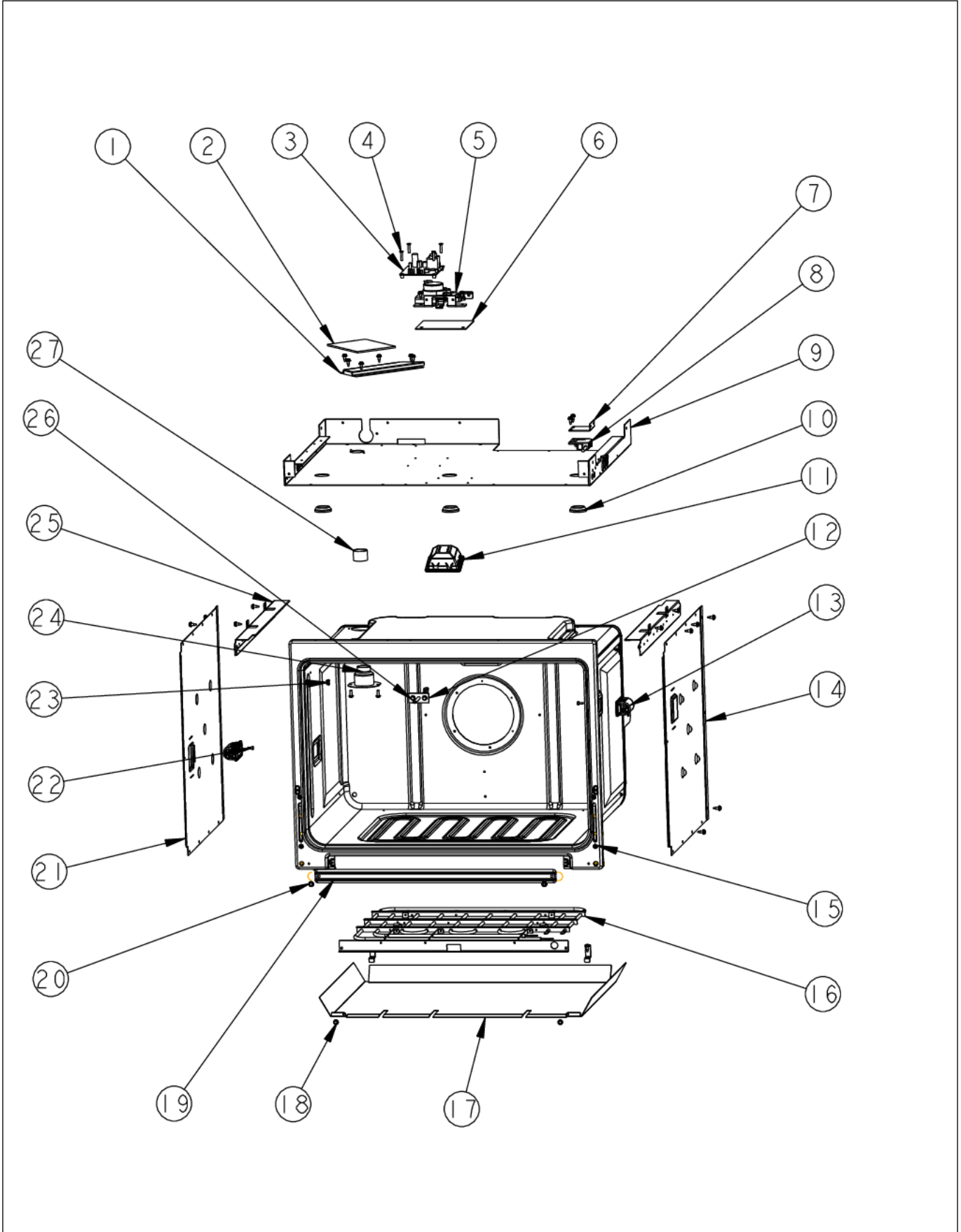
Item	Part No.	Name	Qty	Uom	NOTES
NI	011724-000	HARNESS, WIRING, VDSC548" - LH OVEN	1	EA	
Not Shown	NOTE	(BEFORE 7/29/10)		EA	
NI	020018-000	HARNESS, WIRING - LH OVEN	1	EA	
Not Shown	NOTE	(ON OR AFTER 7/29/10)		EA	
NI	023107-000	ADAPTER, LT, ASM, SINGLE TO TRIPLE	1	EA	
Not Shown	NOTE	(ON OR AFTER 7/29/10)		EA	
NI	024870-000	RIBBON CABLE, LH	1	EA	

OVEN MODULE LT



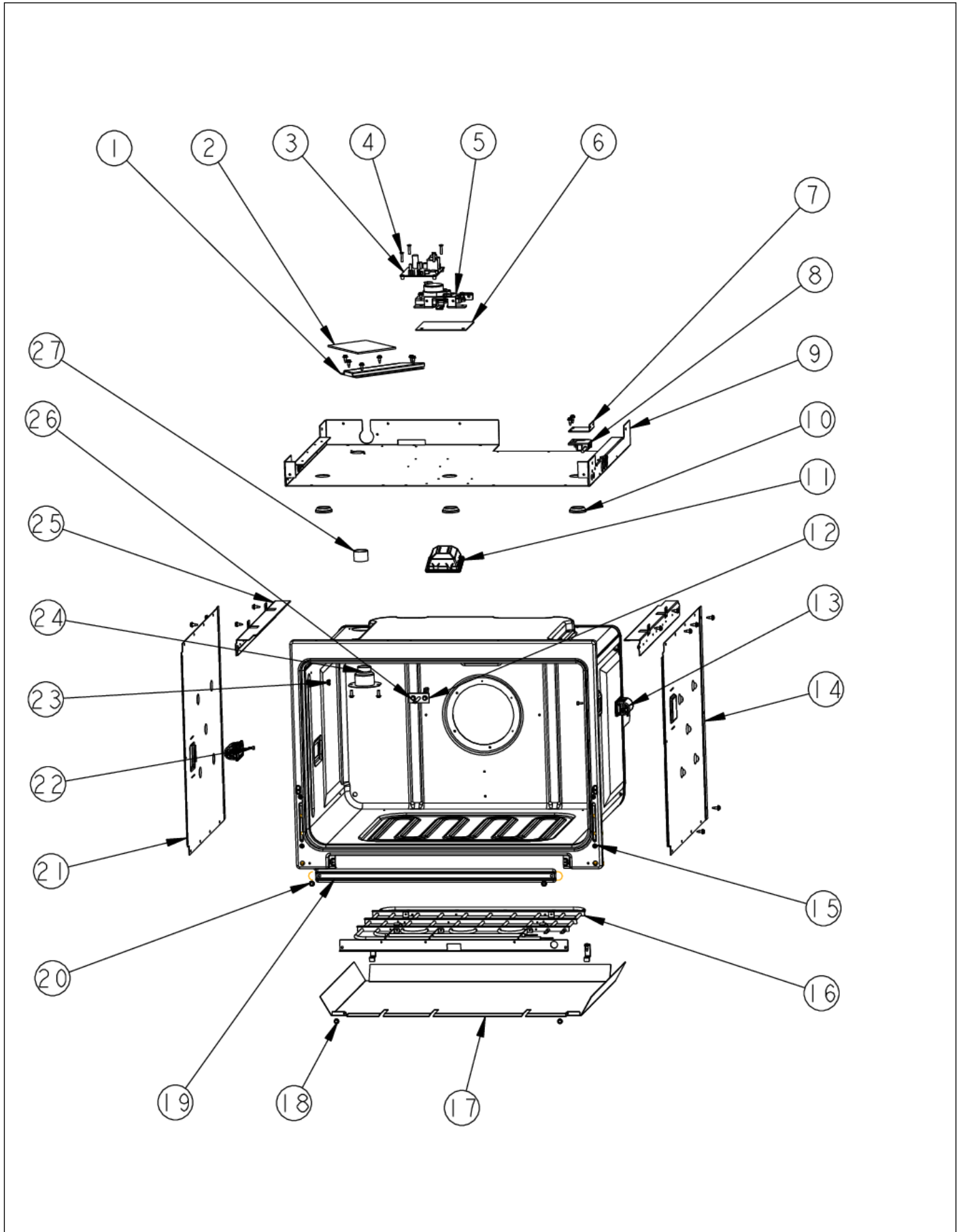
Item	Part No.	Name	Qty	Uom	NOTES
1	PB070321	Lower Latch Insulation	1	EA	
2	013250-000	LATCH,DOOR,ASM,240V,GRID DLE LOCKOUT	1	EA	
Not Shown	NOTE	(BEFORE 10/31/13)		EA	
2	039293-000	LATCH, ELEC, 240V, ASSY	1	EA	
Not Shown	NOTE	(ON OR AFTER 10/31/13)		EA	
3	PB070079	SILICONE EXTRUSION (DGSU)	2	EA	
4	A20012649	DOOR SWITCH BRACKET	1	EA	
5	PE050208	DOOR SWITCH	1	EA	
6	006195-000	OVEN, MDL, TOP, FLAT, VDSC18"	1	EA	
7	020403-000	LAMP, OVEN, 120V/40W	1	EA	
8	A2009641	BRKT, TOP WRAPPER	2	EA	
9	A2009622	BRKT, TOP WRAPPER, RIGHT	1	EA	Not available online / Call for pricing and availability
10	003860-000	10-18 x .500 FASTNR,SCR,HXWH,STL,ZPLT	32	EA	
11	PD020062	#8-32 X 3/8 PHMS TYPE 1	1	EA	
12	006166-000	ELEMENT, BAKE, VDSC18"	1	EA	
13	006163-000	ELEMENT, MTG, FLAT,TRAY,VDSC18"	1	EA	
14	NON REPLACEBLE	OVEN CAVITY, ASM 18" (002721-000)	1	EA	
15	A20012650	BRKT, TOP WRAPPER LEFT	1	EA	Not available online / Call for pricing and availability
16	PD020032	SRW-8(A)X3/8"PH.WFR HD 7/16DIA*NICL	1	EA	
NI	031679-000	RECEPTACLE, HINGE	2	EA	

OVEN MODULE RT





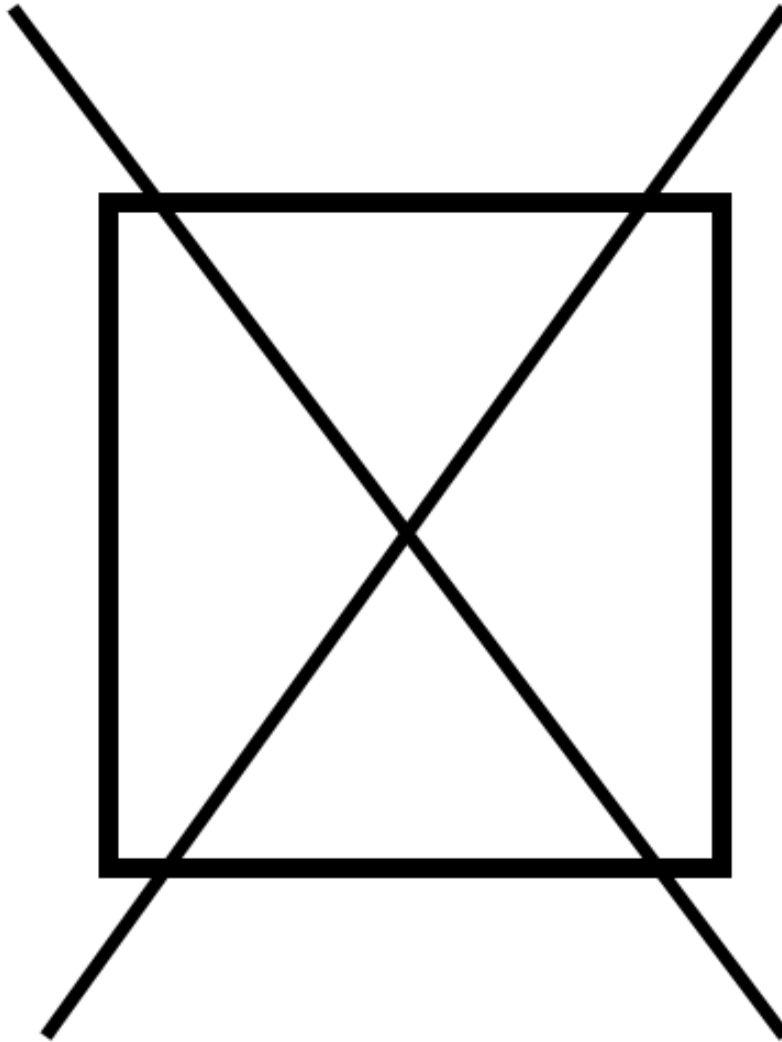
Item	Part No.	Name	Qty	Uom	NOTES
1	003333-000	DUCT, FLUE	1	EA	
2	004285-000	INSULATION, FOIL-BACKED,4"x5"	1	EA	
3	PA020056	NLA - See TC-0063D-SP for kit number (see comments)	1	EA	
Not Shown	NOTE	(BEFORE 01/20/11)		EA	
3	023651-000	DSI120-2-LVS	1	EA	
Not Shown	NOTE	(ON OR AFTER 01/20/11)		EA	
4	PD020043	#6-32 X .750 PH. CTRSK T(F)-VGSO166	4	EA	
5	013250-000	LATCH,DOOR,ASM,240V,GRID DLE LOCKOUT	1	EA	
Not Shown	NOTE	(BEFORE 10/31/13)		EA	
5	039293-000	LATCH, ELEC, 240V, ASSY	1	EA	
Not Shown	NOTE	(ON OR AFTER 10/31/13)		EA	
6	PB070321	Lower Latch Insulation	1	EA	
7	A20012649	DOOR SWITCH BRACKET	1	EA	
8	PE050208	DOOR SWITCH	1	EA	
9	002754-000	RANGE TOP BRACE, AIR CHANNEL	1	EA	
10	PB070079	SILICONE EXTRUSION (DGSU)	3	EA	
11	020403-000	LAMP, OVEN, 120V/40W	1	EA	
12	PE050206	RTD THERMOSTAT PROBE	1	EA	
13	005311-000	LAMP, OVEN, 120V/25W	2	EA	
14	A2009622	BRKT, TOP WRAPPER, RIGHT	1	EA	Not available online / Call for pricing and availability
15	PD020062	#8-32 X 3/8 PHMS TYPE 1	1	EA	
16	PJ010048	BAKE ELEMENT	1	EA	
17	003818-000	OVEN BOTTOM, BACK WRAP ASSY - NLA	1	EA	NO LONGER AVAILABLE
18	003860-000	10-18 x .500 FASTNR,SCR,HXWH,STL,ZPLT	37	EA	
19	E9109655	COVER, BAKE TRAY	1	EA	





Item	Part No.	Name	Qty	Uom	NOTES
20	PD020063	SCREW-#8(A) X 3/8"PH WFR HD/BK OXID	1	EA	
21	A20012650	BRKT, TOP WRAPPER LEFT	1	EA	Not available online / Call for pricing and availability
22	PD020067	' #6 X 3/8" PAN PHIL. TEK *SS*	1	EA	
23	E91014053	PORCELAIN 25/64" HOLE PLUG	1	EA	Not available online / Call for pricing and availability
24	PM010014	SMOKE ELIMINATOR (VDSC)	1	EA	
25	A2009641	BRKT, TOP WRAPPER	2	EA	
26	PD020048	NO.10 X 1/2 TEK 410 SS SCREW	1	EA	
27	PB020275	VENT TUBE	1	EA	
28	PD020232	#8 X 3/4" PH PAN HEAD TEK SCREW (BLACK OXIDE)	1	EA	
NI	031679-000	RECEPTACLE, HINGE	2	EA	

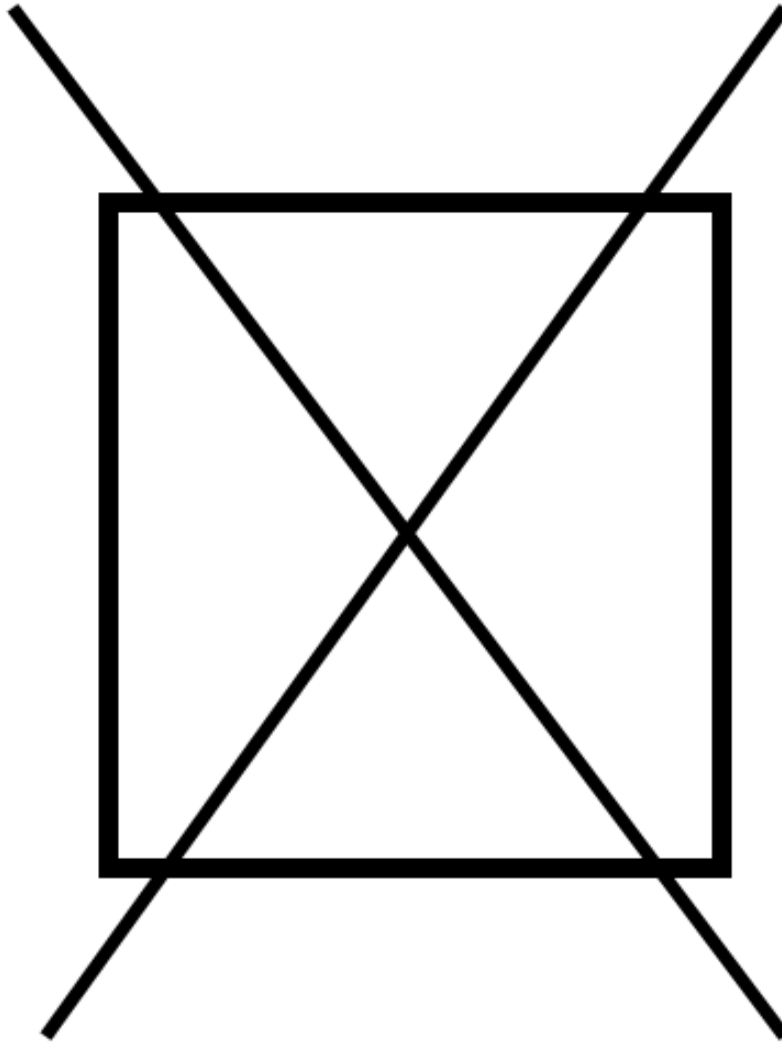
NON
ILLUSTRATED PART





Item	Part No.	Name	Qty	Uom	NOTES
NI	004132-000	OVEN HARNESS - NLA	1	EA	
Not Shown	NOTE	(BEFORE 06/14/10)		EA	
NI	021182-000	MAIN OVEN HARNESS - NLA	1	EA	
<p>Comments for Part Num. 021182-000</p> <p>bradleysapplianceservice@shaw.ca on Apr 27, 2016</p> <p>SUBS TO: 024871-000 MAIN OVEN HARNESS</p>					
Not Shown	NOTE	(06/14/10 THRU 12/6/10)		EA	
NI	024871-000	MAIN HARNESS	1	EA	
Not Shown	NOTE	(ON OR AFTER 12/6/10)		EA	
NI	024869-000	RIBBON CABLE, RH	1	EA	

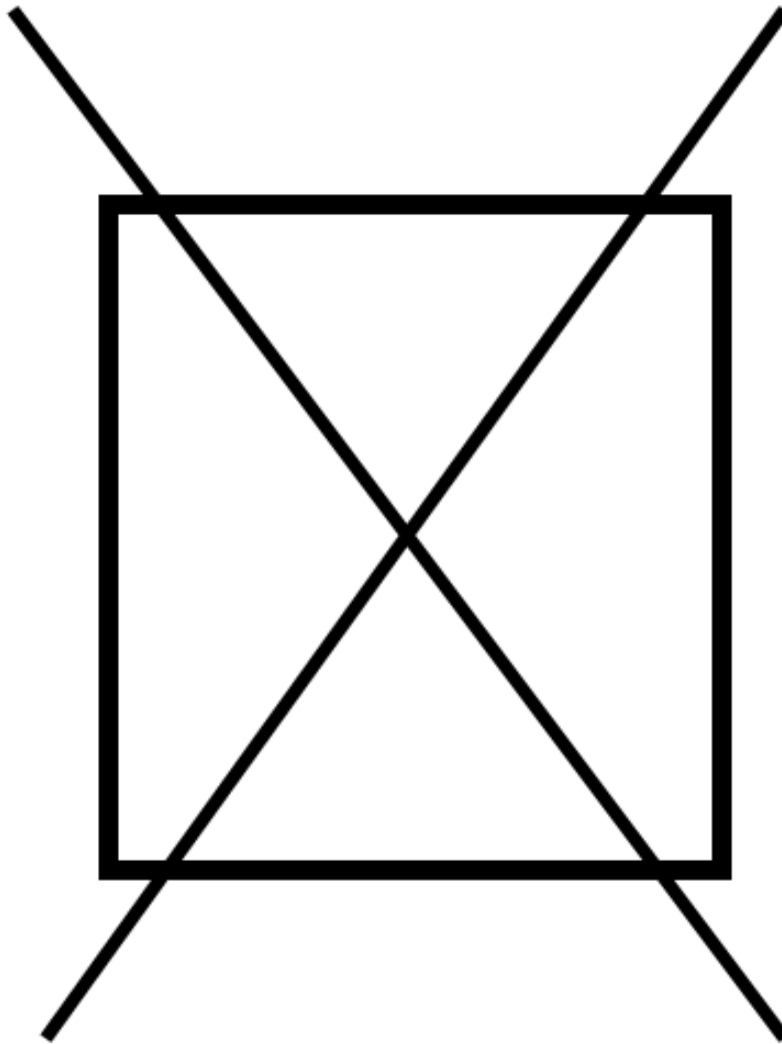
NON
ILLUSTRATED PART





Item	Part No.	Name	Qty	Uom	NOTES
NI	005292-000	HARN,HEADER, MODEL 5 (SEE MODEL_HEADER)	1	EA	
Not Shown	NOTE	(BEFORE 7/29/10)		EA	
NI	023024-000	HARN, HEADER, MODEL 16 (SEE MODEL_HEADER)	1	EA	
Not Shown	NOTE	(ON OR AFTER 7/29/10)		EA	

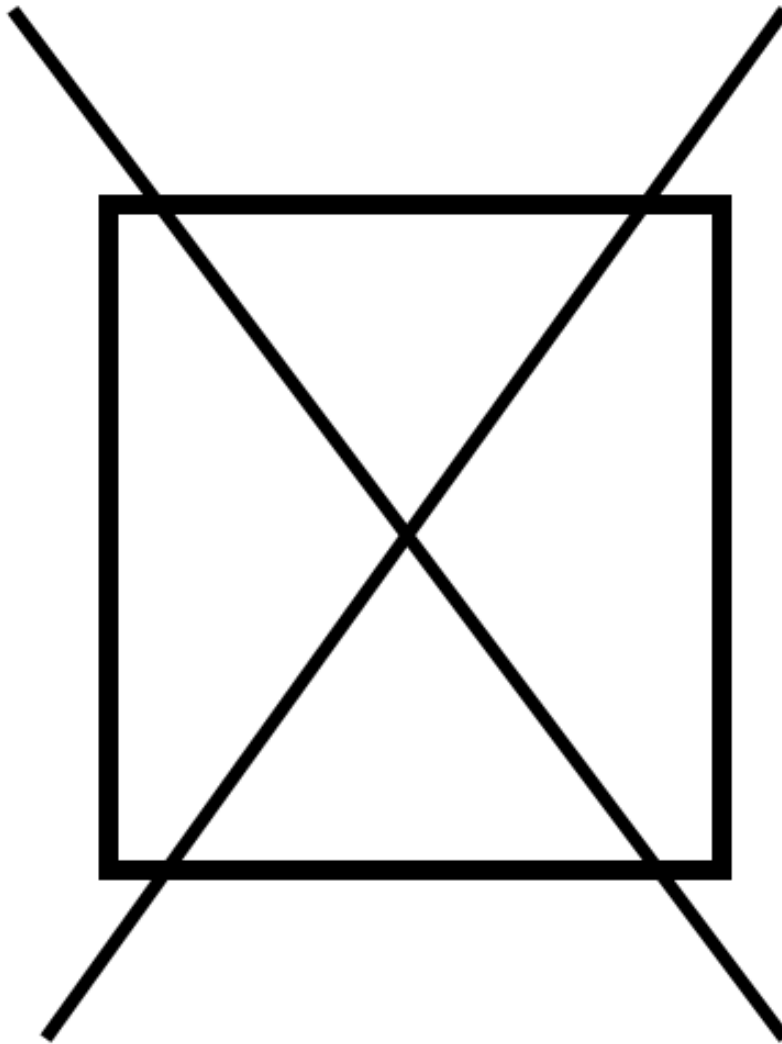
NON
ILLUSTRATED PART





Item	Part No.	Name	Qty	Uom	NOTES
NI	PE070734	SINGLE OVEN HEADER	2	EA	
Not Shown	NOTE	(BEFORE 7/29/10)		EA	

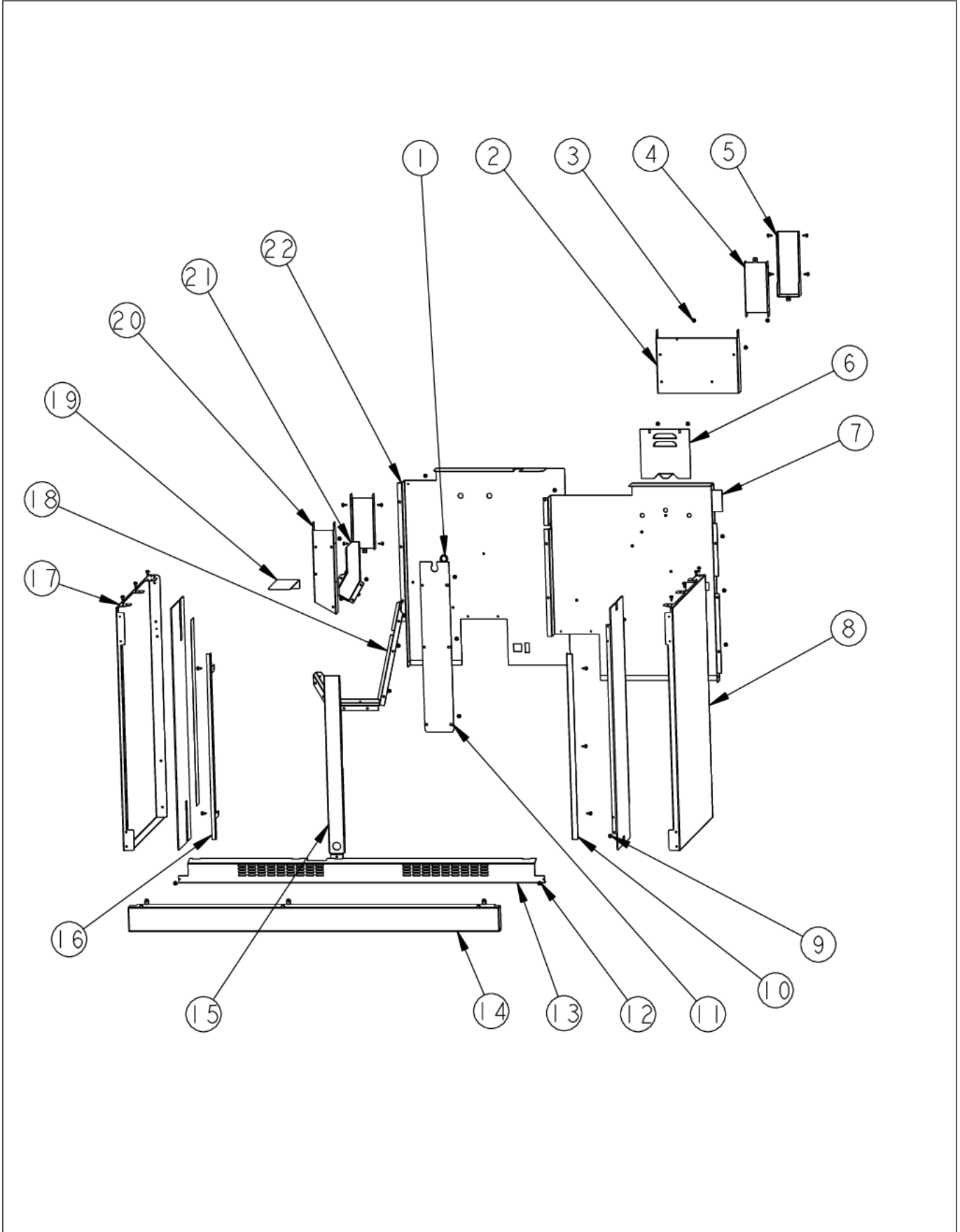
NON
ILLUSTRATED PART





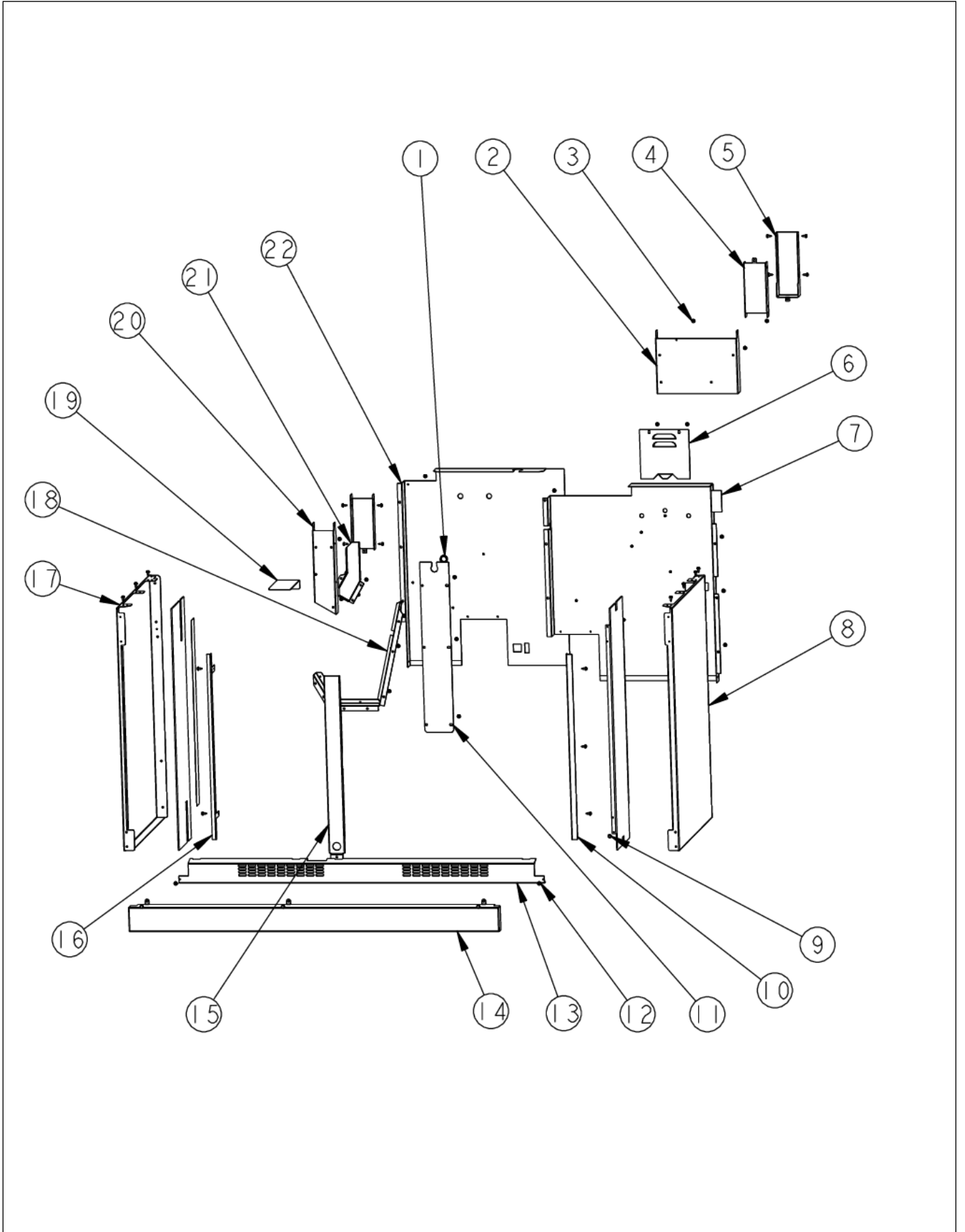
Item	Part No.	Name	Qty	Uom	NOTES
NI	013272-000	HARNESS, TEST, VDSC548, 560	1	EA	

TRIM

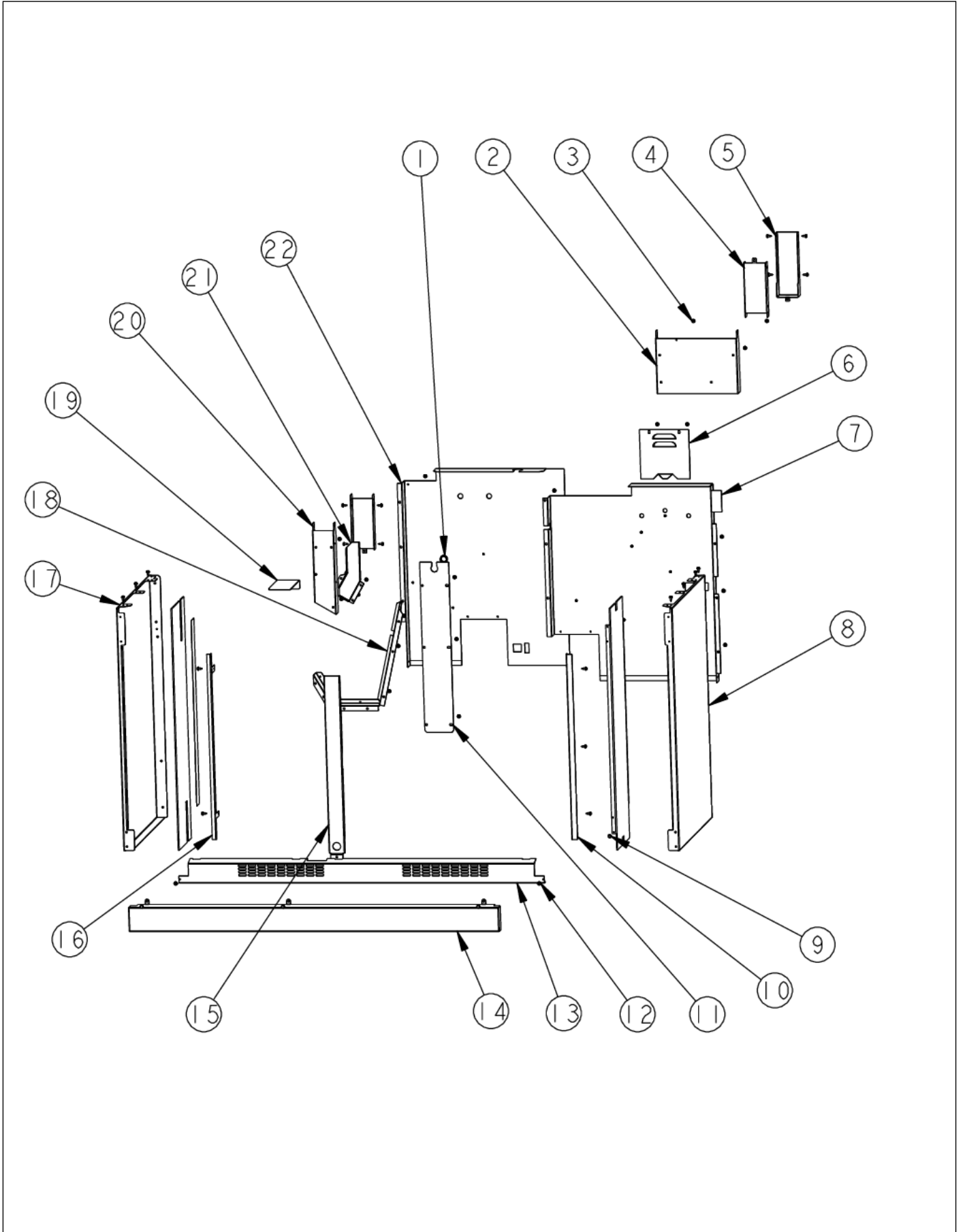




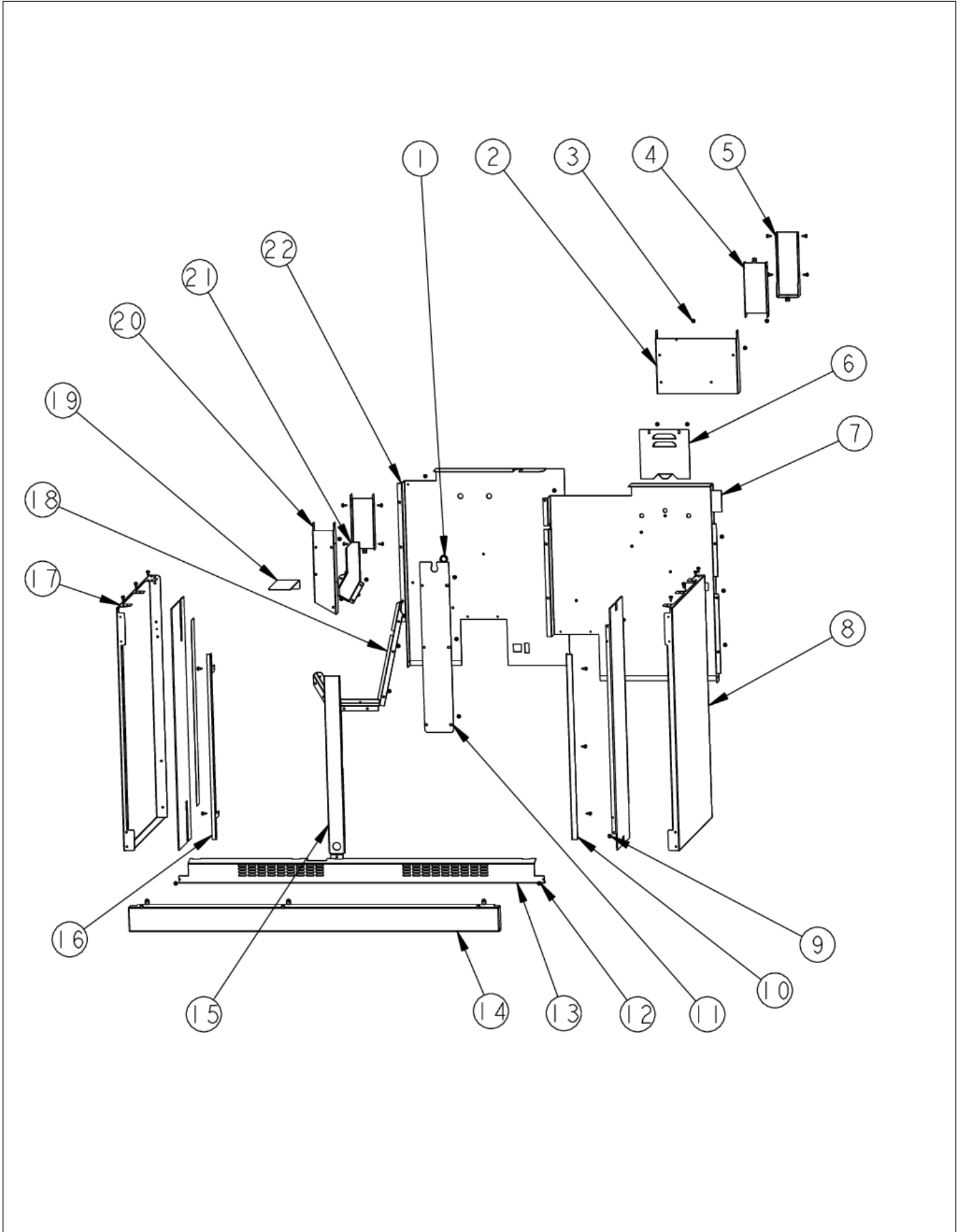
Item	Part No.	Name	Qty	Uom	NOTES
1	PD040005	SNAP BUSHING - 7/8"	1	EA	
2	003681-000	DUCT, AIR	1	EA	
3	003860-000	10-18 x .500 FASTNR,SCR,HXWH,STL,ZPLT	66	EA	
4	A20010102	FLUE, CENTER EXTENDED	2	EA	
5	A20010101	FLUE, OUTSIDE SHELL	1	EA	
6	A2002454	BACK, COVER ACCESS DOOR	1	EA	
7	003272-000	COVER, BACK- INTERNATIONAL	1	EA	
8	003802-000	SIDE PANEL ASSY, RH, SST	1	EA	
8	005503-002	SIDE PANEL, RH ASSY, PAINTED BK	1	EA	
8	005503-005	SIDE PANEL, RH ASSY, PAINTED GG	1	EA	
8	005503-006	SIDE PANEL, RH ASSY, PAINTED WH	1	EA	
8	005503-008	SIDE PANEL, RH ASSY, PAINTED BU	1	EA	
8	005503-013	SIDE PANEL, RH ASSY, PAINTED CB	1	EA	
8	005503-024	SIDE PANEL, RH ASSY, PAINTED AR	1	EA	
9	PD020032	SRW-8(A)X3/8"PH.WFR HD 7/16DIA*NICL	4	EA	
10	003644-000	TRIM,FRONT,SIDE,STAINLESS	1	EA	
11	006400-000	PLATE, BACK, CTR, VDSC48"	1	EA	
12	003801-000	SHOULDER SCREW, #10	2	EA	
13	051834-000	GRILL, ACS, LWR, 48"	1	EA	
14	006300-000	KICKPLATE,RNG,SST,VDSC548	1	EA	
Not Shown	NOTE	(BEFORE 09/25/12)		EA	
14	038433-000	KICKPLATE,RNG,SST,VDSC48	1	EA	
Not Shown	NOTE	(ON OR AFTER 09/25/12)		EA	
14	038434-002	KICKPLATE, RNG, VDSC48" BK	1	EA	
14	038434-003	KICKPLATE, RNG, VDSC48" BT	1	EA	Not available online / Call for pricing and availability



Item	Part No.	Name	Qty	Uom	NOTES
14	038434-004	KICKPLATE, RNG, VDSC48" SG	1	EA	Not available online / Call for pricing and availability
14	038434-005	KICKPLATE, RNG, VDSC48" GG	1	EA	
14	038434-006	KICKPLATE, RNG, VDSC48" WH	1	EA	Not available online / Call for pricing and availability
14	038434-008	KICKPLATE, RNG, VDSC48" BU	1	EA	
14	038434-009	KICKPLATE, RNG, VDSC48" LE	1	EA	Not available online / Call for pricing and availability
14	038434-010	KICKPLATE, RNG, VDSC48" MJ	1	EA	Not available online / Call for pricing and availability
14	038434-012	KICKPLATE, RNG, VDSC48" VB	1	EA	Not available online / Call for pricing and availability
14	038434-013	KICKPLATE, RNG, VDSC48" CB	1	EA	
14	038434-015	KICKPLATE, RNG, VDSC48" PL	1	EA	Not available online / Call for pricing and availability
14	038434-016	KICKPLATE, RNG, VDSC48" CH	1	EA	Not available online / Call for pricing and availability
14	038434-017	KICKPLATE, RNG, VDSC48" TP	1	EA	Not available online / Call for pricing and availability
14	038434-018	KICKPLATE, RNG, VDSC48" CW	1	EA	Not available online / Call for pricing and availability
14	038434-019	KICKPLATE, RNG, VDSC48" OG	1	EA	Not available online / Call for pricing and availability
14	038434-020	KICKPLATE, RNG, VDSC48" GM	1	EA	Not available online / Call for pricing and availability
14	038434-021	KICKPLATE, RNG, VDSC48" SA	1	EA	Not available online / Call for pricing and availability



Item	Part No.	Name	Qty	Uom	NOTES
14	038434-022	KICKPLATE, RNG, VDSC48" SE	1	EA	
14	038434-023	KICKPLATE, RNG, VDSC48" IB	1	EA	
14	038434-024	KICKPLATE, RNG, VDSC48" AR	1	EA	
14	038434-025	KICKPLATE, RNG, VDSC48" RR	1	EA	Not available online / Call for pricing and availability
14	038434-026	KICKPLATE, RNG, VDSC48" PM	1	EA	Not available online / Call for pricing and availability
14	038434-027	KICKPLATE, RNG, VDSC48" MS	1	EA	Not available online / Call for pricing and availability
15	006750-000	RANGE, TRIM, CTR, VDSC548	1	EA	
16	010956-000	OVEN,TRIM,LH,SST,FLAT,VDS C548	1	EA	
17	007992-000	RANGE,PNL,ASM,LH,SIDE,VDS C548	1	EA	
17	013365-002	SIDE PANEL ASM, LH 48" BK	1	EA	Not available online / Call for pricing and availability
17	013365-005	SIDE PANEL ASM, LH 48"-GG	1	EA	Not available online / Call for pricing and availability
17	013365-006	SIDE PANEL ASM, LH 48" WH	1	EA	
17	013365-008	SIDE PANEL ASM, LH 48" BU	1	EA	Not available online / Call for pricing and availability
17	013365-013	SIDE PANEL ASM, LH 48" CB	1	EA	
17	013365-024	SIDE PANEL ASM, LH 48"-AR	1	EA	
18	007248-000	BAFFLE, FAN, REAR, VDSC18"	1	EA	
19	007793-000	PLATE, SVCE,FLAT,REGULATOR,VDSC 548	1	EA	
20	007188-000	DUCT, AIR, REAR, VDSC18"	1	EA	
21	007441-000	EXHAUST, DUCT, REAR, VDSC18"	1	EA	
22	007504-000	COVER, BACK, VDSC18"	1	EA	Not available online / Call for pricing and availability





Item	Part No.	Name	Qty	Uom	NOTES
NI	A2002654	ANTI-TIP DEVICE (VDSC)	1	EA	
NI	034927-000	BRACKET, ANTI-TIP	1	EA	
NI	034928-000	BRACKET, HOOK, ANTI-TIP	1	EA	



Appendix A:Pages Index

BAKE EL HARN 1
BASE MODULE 2
BURNER BOX 3
BURNER SURFACE 4
CONTROL PANEL 5
CP HARN 6
DOOR ASSY LT 7
DOOR ASSY RT 8
FAN ASSY LT 9
FAN ASSY RT 10
IRIS HARN 11
IRIS PWR HARN 12
LH HEADER 13
LIGHT SW HARN 14
LIMIT JUMPER 15
OVEN INTERIOR 16
OVEN LT HARN 17
OVEN MODULE LT 18
OVEN MODULE RT 19
OVEN RT HARN 20
RH HEADER 21
SINGLE OVEN HEADER 22
TEST HARN 23
TRIM 24



Appendix B:Parts Index

000594-000	7, 8	003801-000	24
000647-000	11	003802-000	24
000915-000	15	003818-000	10, 19
001394-042	3	003860-000	2, 3, 4, 9, 10, 18, 19, 24
001394-046	3	004021-000	4
001983-000	3	004110-000	10
002406-000	2	004132-000	20
002709-000	7	004133-000	6
002709-402	7	004152-000	8
002724-000	8	004153-000	8
002726-000	8	004176-000	8
002728-000	8	004285-000	19
002732-000	8	004295-000	12
002740-000	8	004907-000	7, 8
002754-000	19	005269-000	5
002755-000	3	005270-000	5
002884-000	3	005271-000	5
002920-000	4	005292-000	21
002923-000	3	005300-000	7
002941-000	10	005311-000	19
003011-000	7, 8	005458-000	9
003011-100	7, 8	005503-002	24
003012-000	7, 8	005503-005	24
003012-100	7, 8	005503-006	24
003050-000	2	005503-008	24
003053-000	2	005503-013	24
003054-000	2	005503-024	24
003055-000	2	006154-000	2
003272-000	24	006155-000	2
003319-000	4	006156-000	2
003322-041	4	006158-000	2
003333-000	19	006163-000	18
003356-000	10	006166-000	18
003481-000	3	006167-000	9
003644-000	24	006176-000	16
003649-000	4	006195-000	18
003681-000	24	006207-000	7
003719-000	5	006209-000	7
003761-000	2	006219-000	7
003763-000	2	006220-000	7
		006221-000	7



006223-000	7	007992-000	24
006225-000	7	008276-000	7
006226-000	7	008286-000	3
006226-100	7	008464-000	3
006227-000	7	008465-000	3
006227-100	7	008636-000	3
006234-000	2	008705-000	3
006240-000	3	008709-000	3
006300-000	24	008739-000	3
006313-000	3	008742-000	3
006379-000	16	008904-000	3, 3
006380-000	16	009111-000	3
006400-000	24	009197-000	4
006424-000	5	009402-000	3
006570-000	5	009426-000	7
006574-000	5	009427-000	7
006748-000	16	009428-000	7
006750-000	24	009645-000	13
006766-000	11	010168-000	4
006787-000	8	010956-000	24
006788-000	8	011012-000	3
006802-002	2	011073-000	3
006804-000	8	011077-000	3
006804-100	8	011078-000	3
006805-000	8	011178-000	7
006805-100	8	011724-000	17
006807-000	7	012287-000	4
006808-000	7	012291-000	4
006997-000	7	012460-000	3
007147-000	3	012461-000	3
007188-000	24	012897-000	4
007248-000	9, 24	013213-000	5
007323-000	4	013250-000	18, 19
007419-000	9	013272-000	23
007420-000	9	013295-000	14
007441-000	24	013355-002	8
007504-000	24	013355-003	8
007776-000	3	013355-004	8
007793-000	24	013355-005	8
007794-000	9	013355-006	8
007878-000	3	013355-007	8



013355-008	8	013355-123	8
013355-009	8	013355-124	8
013355-010	8	013355-125	8
013355-011	8	013355-126	8
013355-012	8	013355-127	8
013355-013	8	013356-002	8
013355-014	8	013356-003	8
013355-015	8	013356-004	8
013355-016	8	013356-005	8
013355-017	8	013356-006	8
013355-018	8	013356-007	8
013355-019	8	013356-008	8
013355-020	8	013356-009	8
013355-021	8	013356-010	8
013355-022	8	013356-011	8
013355-023	8	013356-012	8
013355-024	8	013356-013	8
013355-025	8	013356-014	8
013355-026	8	013356-015	8
013355-027	8	013356-016	8
013355-102	8	013356-017	8
013355-103	8	013356-018	8
013355-104	8	013356-019	8
013355-105	8	013356-020	8
013355-106	8	013356-021	8
013355-107	8	013356-022	8
013355-108	8	013356-023	8
013355-109	8	013356-024	8
013355-110	8	013356-025	8
013355-111	8	013356-026	8
013355-112	8	013356-027	8
013355-113	8	013356-102	8
013355-114	8	013356-103	8
013355-115	8	013356-104	8
013355-116	8	013356-105	8
013355-117	8	013356-106	8
013355-118	8	013356-107	8
013355-119	8	013356-108	8
013355-120	8	013356-109	8
013355-121	8	013356-110	8
013355-122	8	013356-111	8



013356-112	8	013357-027	7
013356-113	8	013357-102	7
013356-114	8	013357-103	7
013356-115	8	013357-104	7
013356-116	8	013357-105	7
013356-117	8	013357-106	7
013356-118	8	013357-107	7
013356-119	8	013357-108	7
013356-120	8	013357-109	7
013356-121	8	013357-110	7
013356-122	8	013357-111	7
013356-123	8	013357-112	7
013356-124	8	013357-113	7
013356-125	8	013357-114	7
013356-126	8	013357-115	7
013356-127	8	013357-116	7
013357-002	7	013357-117	7
013357-003	7	013357-118	7
013357-004	7	013357-119	7
013357-005	7	013357-120	7
013357-006	7	013357-121	7
013357-007	7	013357-122	7
013357-008	7	013357-123	7
013357-009	7	013357-124	7
013357-010	7	013357-125	7
013357-011	7	013357-126	7
013357-012	7	013357-127	7
013357-013	7	013358-002	7
013357-014	7	013358-003	7
013357-015	7	013358-004	7
013357-016	7	013358-005	7
013357-017	7	013358-006	7
013357-018	7	013358-007	7
013357-019	7	013358-008	7
013357-020	7	013358-009	7
013357-021	7	013358-010	7
013357-022	7	013358-011	7
013357-023	7	013358-012	7
013357-024	7	013358-013	7
013357-025	7	013358-014	7
013357-026	7	013358-015	7



013358-016	7	013365-008	24
013358-017	7	013365-013	24
013358-018	7	013365-024	24
013358-019	7	013386-000	3
013358-020	7	013408-000	4
013358-021	7	013560-000	3
013358-022	7	013593-000	4
013358-023	7	013595-000	4
013358-024	7	015043-000	5, 5
013358-025	7	015096-000	2, 2
013358-026	7	015357-000	11
013358-027	7	015412-000	8
013358-102	7	015412-402	8
013358-103	7	018200-000	4
013358-104	7	018607-000	10
013358-105	7	018608-000	9
013358-106	7	020018-000	17
013358-107	7	020019-000	6
013358-108	7	020403-000	18, 19
013358-109	7	021143-000	8
013358-110	7	021144-002	8
013358-111	7	021144-003	8
013358-112	7	021144-004	8
013358-113	7	021144-005	8
013358-114	7	021144-006	8
013358-115	7	021144-007	8
013358-116	7	021144-008	8
013358-117	7	021144-009	8
013358-118	7	021144-010	8
013358-119	7	021144-011	8
013358-120	7	021144-012	8
013358-121	7	021144-013	8
013358-122	7	021144-014	8
013358-123	7	021144-015	8
013358-124	7	021144-016	8
013358-125	7	021144-017	8
013358-126	7	021144-018	8
013358-127	7	021144-019	8
013365-002	24	021144-020	8
013365-005	24	021144-021	8
013365-006	24	021144-022	8



021144-023	8	024870-000	17
021144-024	8	024871-000	20
021144-025	8	024909-000	2
021144-026	8	026526-000	2
021144-027	8	026766-000	2
021182-000	20	030823-000	7, 8
021308-002	7	031679-000	18, 19
021308-003	7	034927-000	24
021308-004	7	034928-000	24
021308-005	7	035881-000	5
021308-006	7	035883-000	5
021308-008	7	035885-000	5
021308-009	7	035893-000	5
021308-010	7	035895-000	5
021308-012	7	036047-000	2
021308-013	7	038417-000	2
021308-015	7	038433-000	24
021308-016	7	038434-002	24
021308-017	7	038434-003	24
021308-018	7	038434-004	24
021308-019	7	038434-005	24
021308-020	7	038434-006	24
021308-021	7	038434-008	24
021308-022	7	038434-009	24
021308-023	7	038434-010	24
021308-024	7	038434-012	24
021308-025	7	038434-013	24
021308-026	7	038434-015	24
021308-027	7	038434-016	24
021336-000	5, 5	038434-017	24
023024-000	21	038434-018	24
023107-000	17	038434-019	24
023116-000	9, 10	038434-020	24
023451-000	4	038434-021	24
023651-000	19	038434-022	24
023825-000	2	038434-023	24
024040-000	16	038434-024	24
024221-000	16	038434-025	24
024234-000	16	038434-026	24
024684-000	3	038434-027	24
024869-000	20	039293-000	18, 19



041509-000	4	PB070079	18, 19
042221-2116	5	PB070246	8
044178-000	2	PB070312	9, 10
046142-556	2	PB070321	18, 19
049416-000	4	PC030007	2
049420-000	4	PD010012	3
051834-000	24	PD010028	9, 10
066478-402	16	PD020004	9, 10
066479-402	16	PD020014	10
A10012735	9, 10	PD020032	5, 7, 8, 10, 16, 18, 24
A1002457	10	PD020033	7
A20010101	24	PD020043	2, 19
A20010102	24	PD020048	9, 10, 16, 19
A20012640	8	PD020055	9, 10
A20012641	8	PD020062	5, 18, 19
A20012649	18, 19	PD020063	7, 8, 19
A20012650	18, 19	PD020067	19
A2002195	10	PD020073	8
A2002454	24	PD020076	3
A2002654	24	PD020232	16, 19
A2009622	18, 19	PD030006	7
A2009641	18, 19	PD030010	7, 8
A2009659	10	PD030149	9, 10
A2009697	9, 10	PD030172	2
A21012728	9, 10	PD040004	5
E9101130BK	4	PD040005	3, 9, 24
E91014053	19	PD040075	4
E9109655	19	PD040164	2
E9109803BK	3, 4	PE010030	7
G91013598	10, 16	PE050023	5
J2101749	3	PE050072	5
L20014077	8	PE050203	10
PA020056	19	PE050206	3, 19
PA020058	3	PE050208	18, 19
PA070003	3	PE050227	9, 10
PA080083	4	PE050250	10
PB010304	5	PE060090	8
PB020275	19	PE060094	8
PB060103	16	PE060105	8
PB060104	16	PE070147	10
PB060107	16	PE070734	22



PE070739 1
PE070892 11
PJ010047 9, 10
PJ010048 19
PJ030033 5
PJ030035 5
PM010014 9, 19