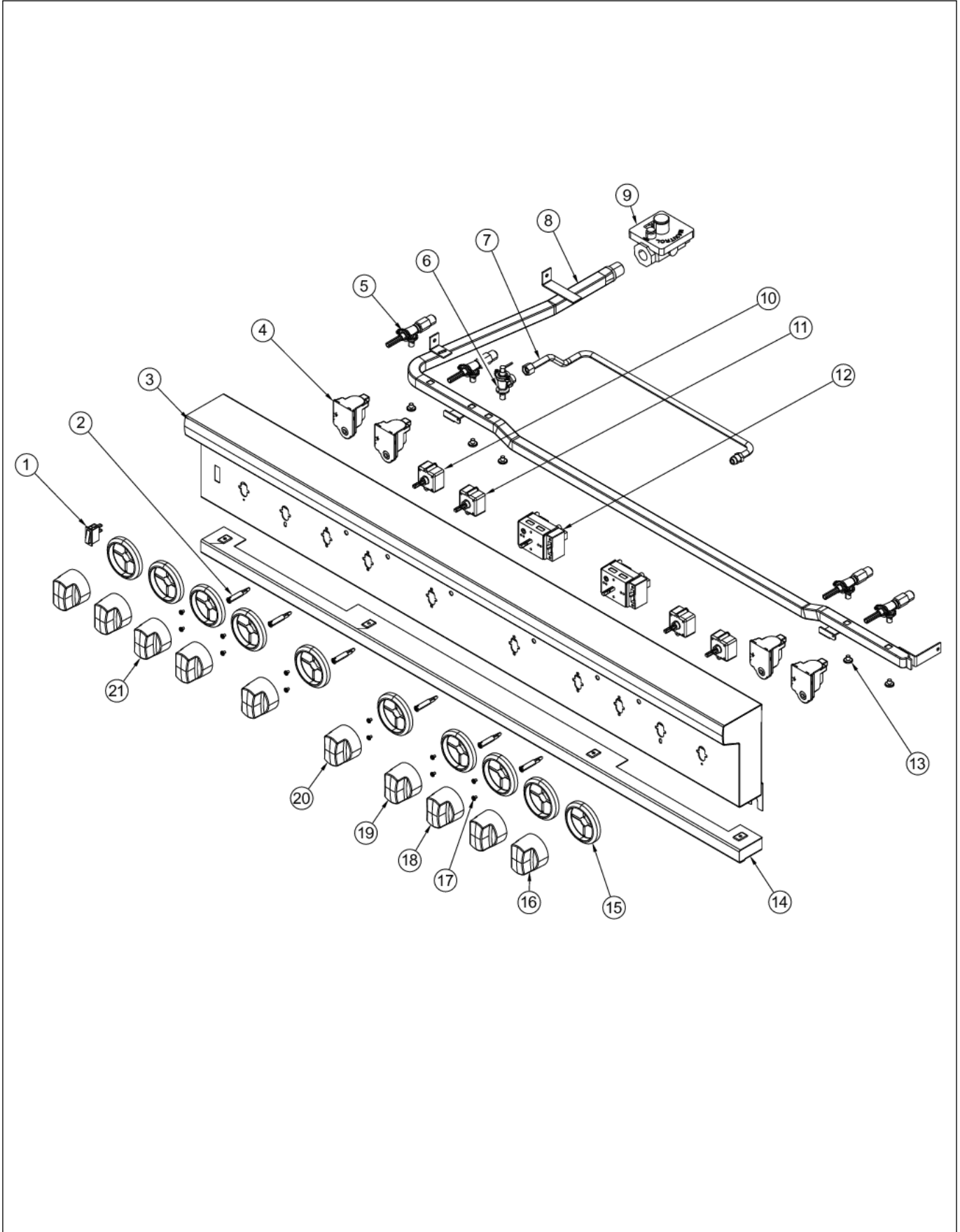


VDSC548-4G

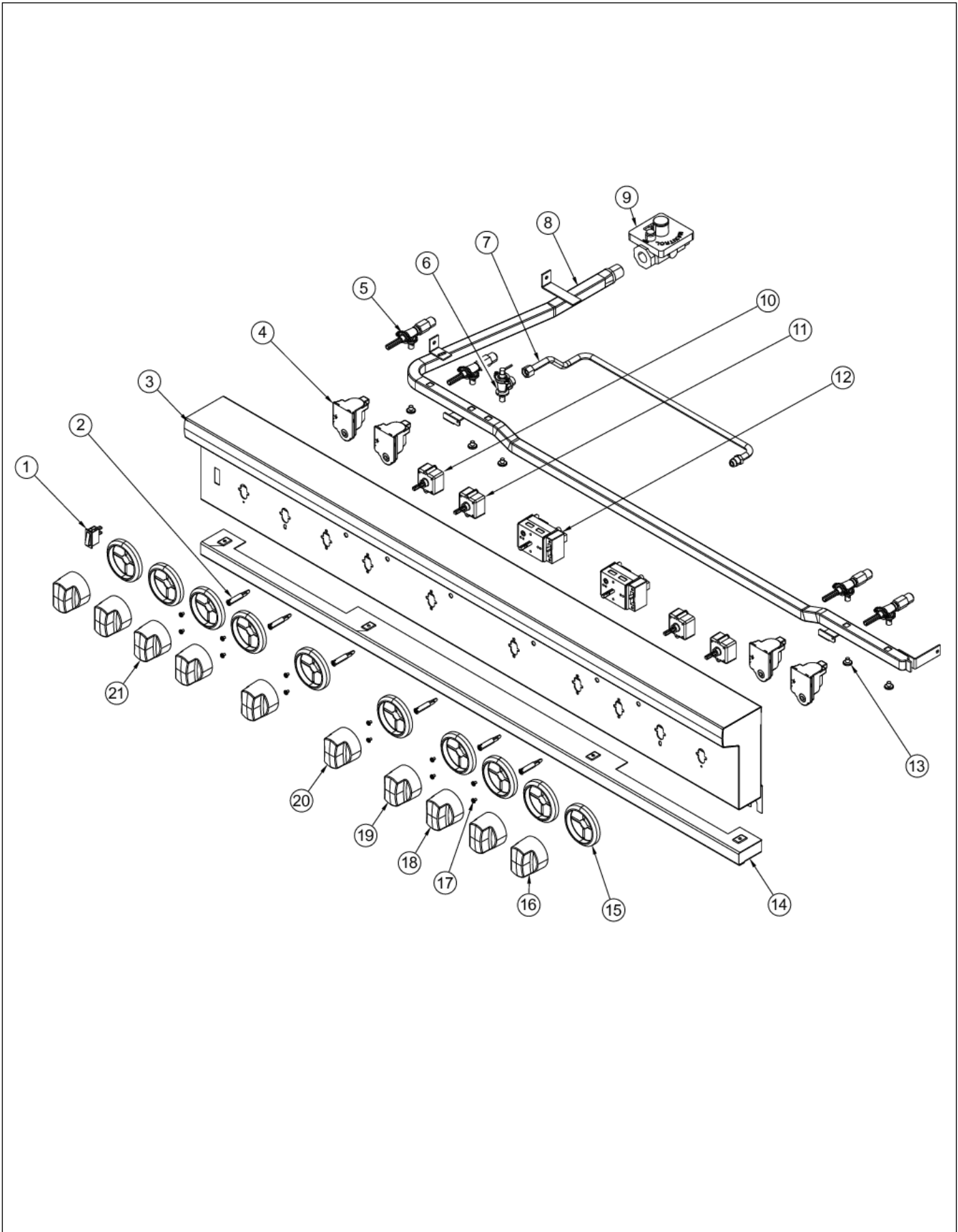
CONTROL AREA	1
GRIDDLE ASSEMBLY	2
LH DOOR ASSEMBLY	3
LH OVEN CAVITY	4
LOWER UNIT AND SIDE PANEL	5
OVEN ELECTRONICS	6
REAR SHEET METAL	7
RH DOOR ASSEMBLY	8
RH OVEN CAVITY	9
SURFACE COOKING AREA	10
WIRING	11
Appendix A:Pages Index	A
Appendix B:Parts Index	B

CONTROL AREA





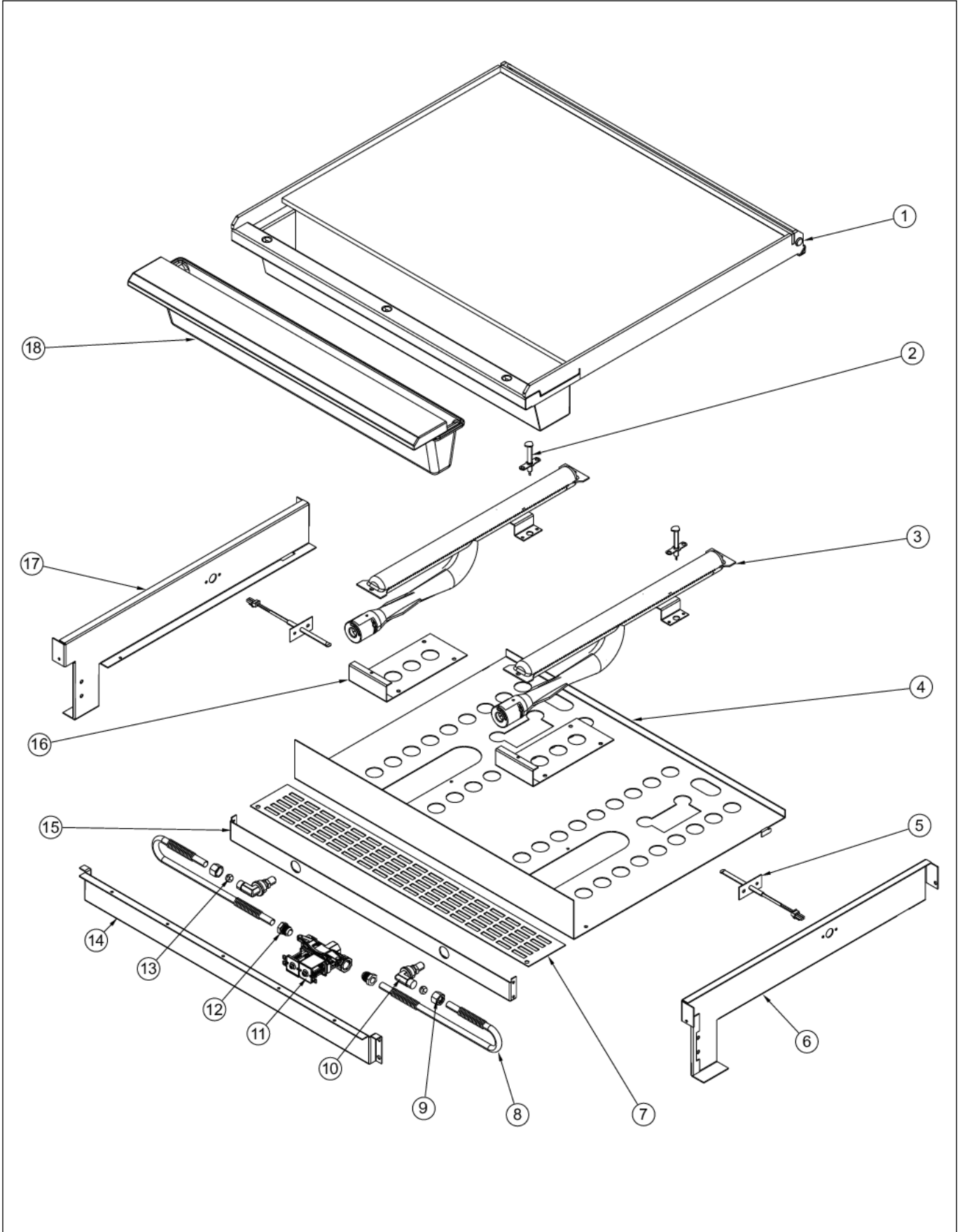
Item	Part No.	Name	Qty	Uom	NOTES
1	003719-000	OVEN LIGHT SWITCH, BLACK	1	EA	
2	021336-000	INDICATOR, LT, RED, CHROME BEZEL, LED	6	EA	
3	042223-2303	PANEL, CNTRL, ASM, VDSC5484G, W/GRAPHICS	1	EA	Not available online / Call for pricing and availability
4	PA020058	IRIS SINGLE SPARK MODULE	4	EA	
5	006313-000	VALVE, BRS, SEALED TOP	4	EA	
6	007147-000	SHUT OFF VALVE	1	EA	
7	026037-000	TUBING, GRIDDLE VALVE	1	EA	
8	026070-000	MANIFOLD, DF 484G	1	EA	
9	PA070003	PRESSURE REGULATOR (NAT.)	1	EA	
9	013386-000	LP PRESSURE REGULATOR	1	EA	
10	PJ030033	SELECTOR (10 POS)	2	EA	
11	PJ030035	THERMOSTAT	2	EA	
<p>Comments for Part Num. PJ030035</p> <p>parts@lvdistributes.com on Feb 7, 2018 this is not the correct part for this range it should be a 003225-000 Reply by JREXEC02@AOL.COM on Feb 27, 2018 003225-000 is an Induction Control.</p> <p>PJ030035 is the red colored thermostat for the Gas Range *****</p>					
12	013213-000	TSTAT, SMPS, ELEC, 2-POS, .91" SHAFT, CB	2	EA	
13	PD010012	VALVE BOLT 1/4-20 UNC-2B 5/16" M.S.	5	EA	
14	011717-000	TRIM ASM	1	EA	
15	050172-000	BEZEL, KNOB	10	EA	
16	005269-000	RANGE TOP BURNER KNOB-BRUSHED, SSS	4	EA	
Not Shown	NOTE	BEFORE 12/20/12		EA	
16	035881-000	KNOB, BNR, TOP PRO CR3	4	EA	
Not Shown	NOTE	AFTER 12/20/12		EA	





Item	Part No.	Name	Qty	Uom	NOTES
17	PD010028	BOLT M4X5	12	EA	
18	005270-000	RANGE THERMOSTAT KNOB-BRUSHED, SSS	2	EA	
Not Shown	NOTE	BEFORE 12/20/12		EA	
18	035893-000	KNOB,OVN,TSTAT, PRO VDSC/VESC CR3	2	EA	
Not Shown	NOTE	AFTER 12/20/12		EA	
19	005271-000	RANGE SELECTOR KNOB-BRUSHED, SSS	1	EA	
Not Shown	NOTE	BEFORE 12/20/12		EA	
19	035895-000	KNOB,OVN,SEL, PRO VDSC/VESC CR3	1	EA	
Not Shown	NOTE	AFTER 12/20/12		EA	
20	006570-000	KNOB, GRDL/(LH OVEN), ASM, PVD, #3, SSS	2	EA	
<p>Comments for Part Num. 006570-000</p> <p>bradleysapplianceservice@shaw.ca on Aug 25, 2015</p> <p>006570-000 Griddle Knob Satin Stainless Steel (SSS) - Serial Break: Before 12/20/12</p> <p>035883-000 Griddle Knob Stainless Steel (SS) - Serial Break After 12/20/12</p> <p>If stainless steel (SS) is required: Use part number 035883-000 Griddle Knob</p>					
Not Shown	NOTE	BEFORE 12/20/12		EA	
20	035883-000	KNOB,GRDL,PRO CR3	2	EA	
Not Shown	NOTE	AFTER 12/20/12		EA	
21	006572-000	KNOB, SEL, ASM, LH, PVD, #3, SSS	1	EA	
Not Shown	NOTE	BEFORE 12/20/12		EA	
21	035898-000	KNOB,OVN,SEL, LH PRO VDSC/VESC CR3	1	EA	
Not Shown	NOTE	AFTER 12/20/12		EA	

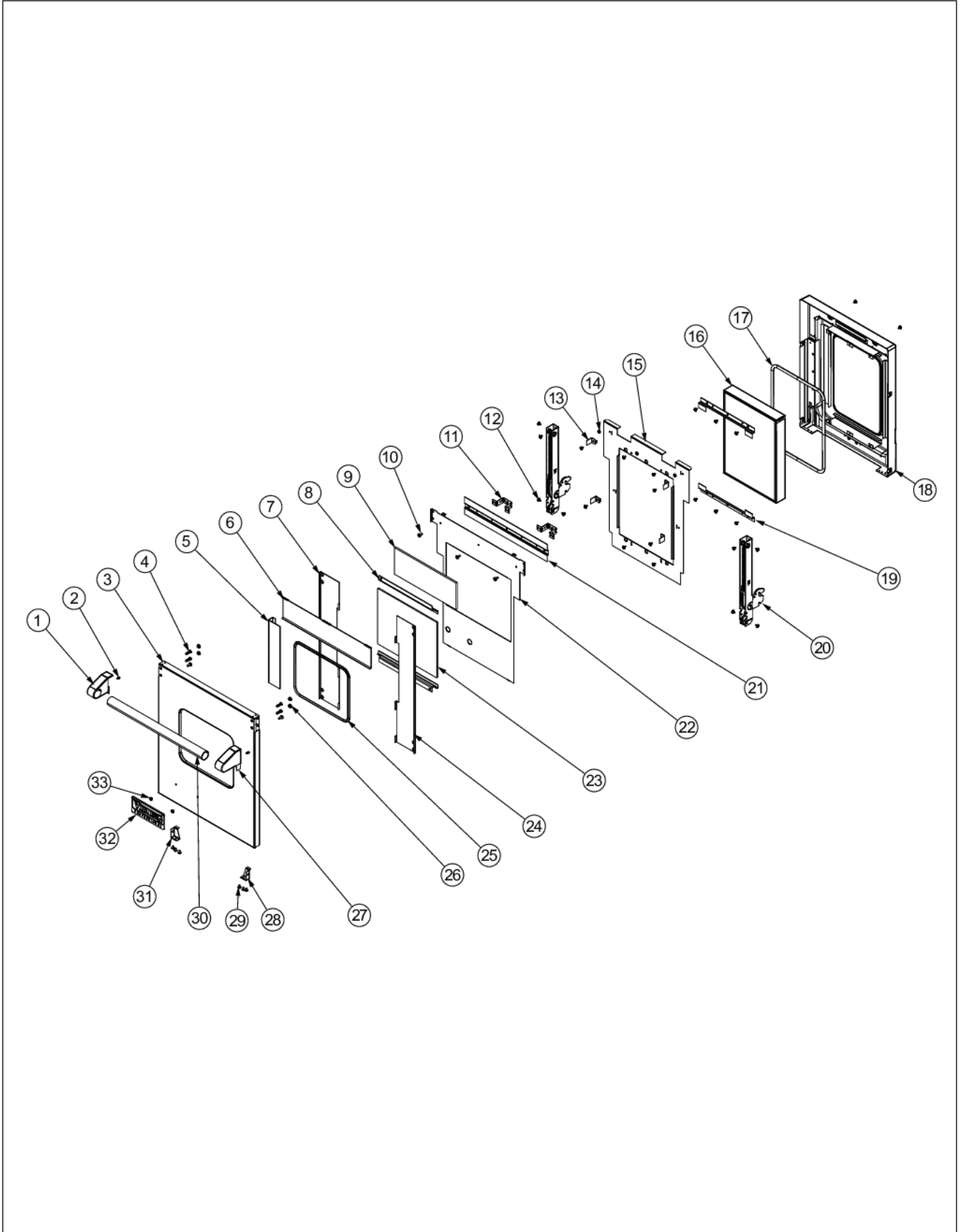
GRIDDLE ASSEMBLY



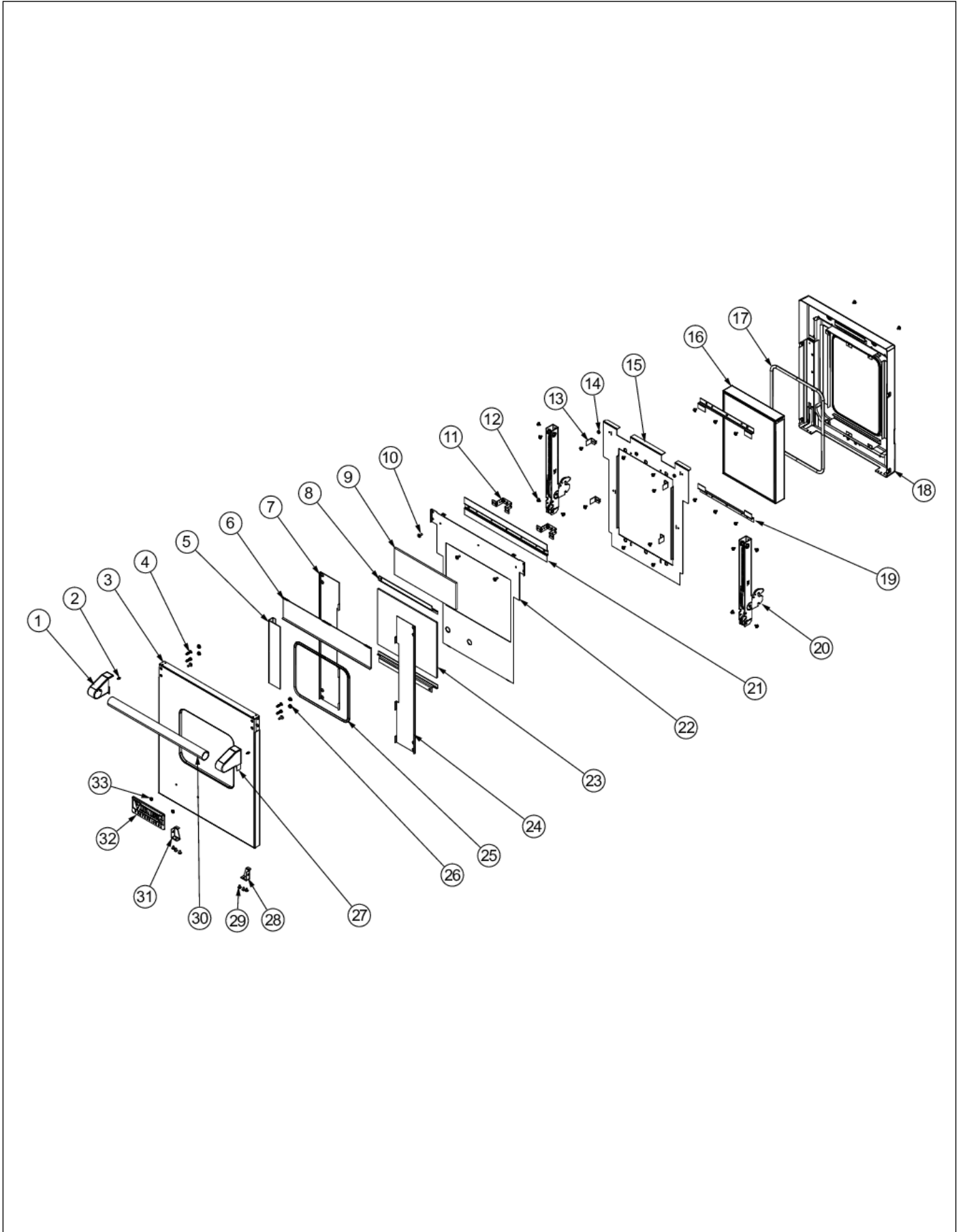


Item	Part No.	Name	Qty	Uom	NOTES
1	040248-000	24" GRIDDLE, ASM	1	EA	
2	PA020028	SPARK IGNITER	2	EA	
3	013888-000	GRIDDLE, BURNER, ASM, NAT, W/IGNITOR BRACKET	2	EA	
3	013889-000	GRIDDLE, BURNER, ASM, LP, W/IGNITOR BRACKET	1	EA	
4	026114-000	GRIDDLE, BOX, BTM, 24"	1	EA	
5	PE050206	RTD THERMOSTAT PROBE	2	EA	
6	016295-000	SIDE, GRILL BOX, RH	1	EA	
7	027489-000	SHIELD, WIRE	1	EA	
8	PB020126	3/8" S.S. FLEX TUBING 15" (DGPU)	2	EA	
9	PB040051	3/8CC FEMALE COMP. FITTING	2	EA	
10	PB040190	90 DEGREE ORIFICE FITTING #50 NAT	2	EA	
10	002513-000	90 DEGREE ORIFICE FITTING #57 LP	1	EA	
11	009112-000	VALVE, SOL, DOUBLE	1	EA	
12	PB040050	3/8CC MALE COMP. FITTING W/FERRULE	2	EA	
13	PB040049	3/8 *BR* FERRULE (FOR 3/8CC FEMALE	2	EA	
14	026036-000	BRACE, SUPPORT, FRONT	1	EA	
15	026113-000	GRIDDLE ORIFICE BRKT	1	EA	
16	006785-000	GRIDDLE, BOX, VENTURI, COVER	2	EA	
17	016293-000	GRIDDLE SUPPORT, LEFT	1	EA	
18	025750-000	TROUGH, GRIDDLE, ASM, 24"	1	EA	

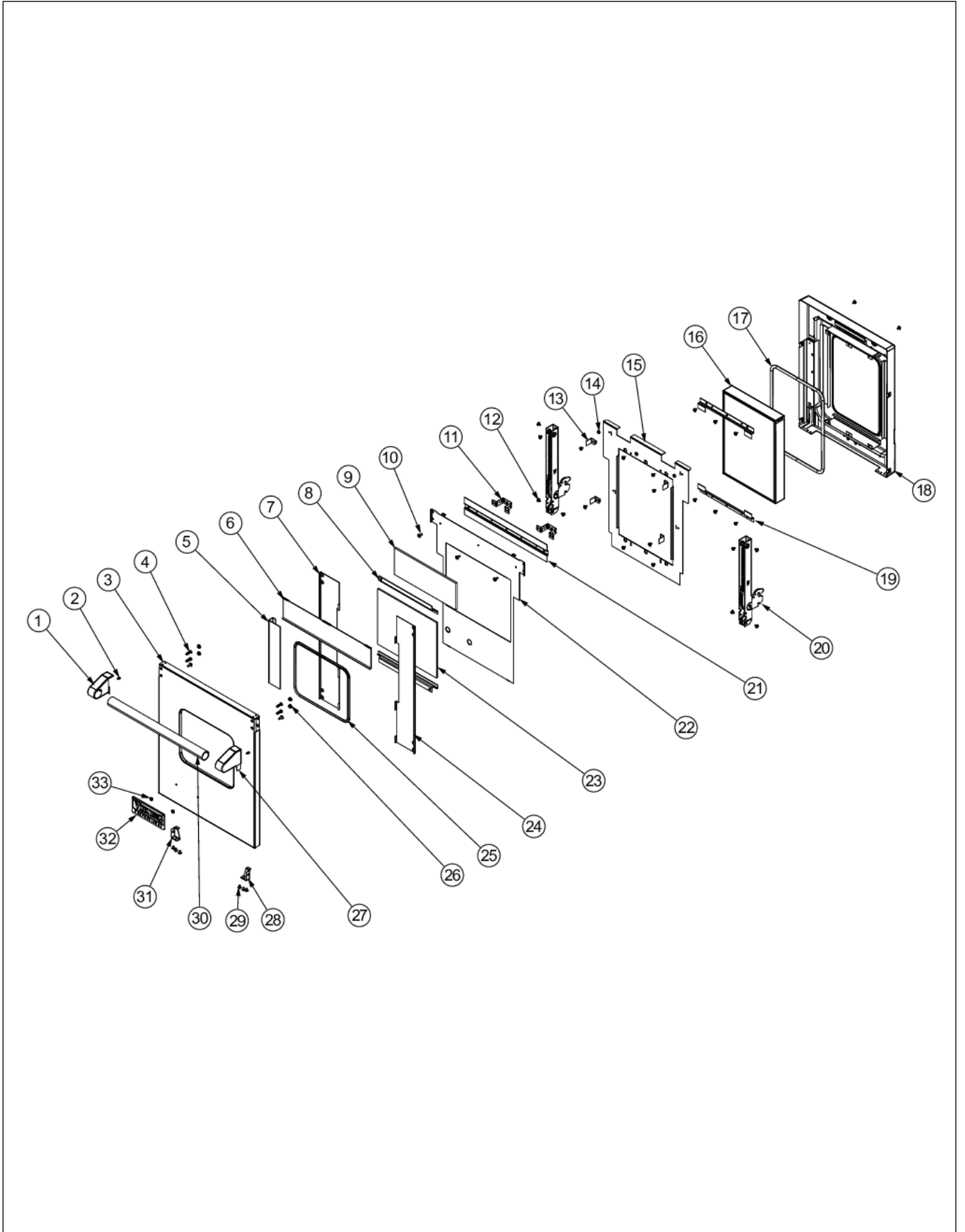
LH DOOR ASSEMBLY



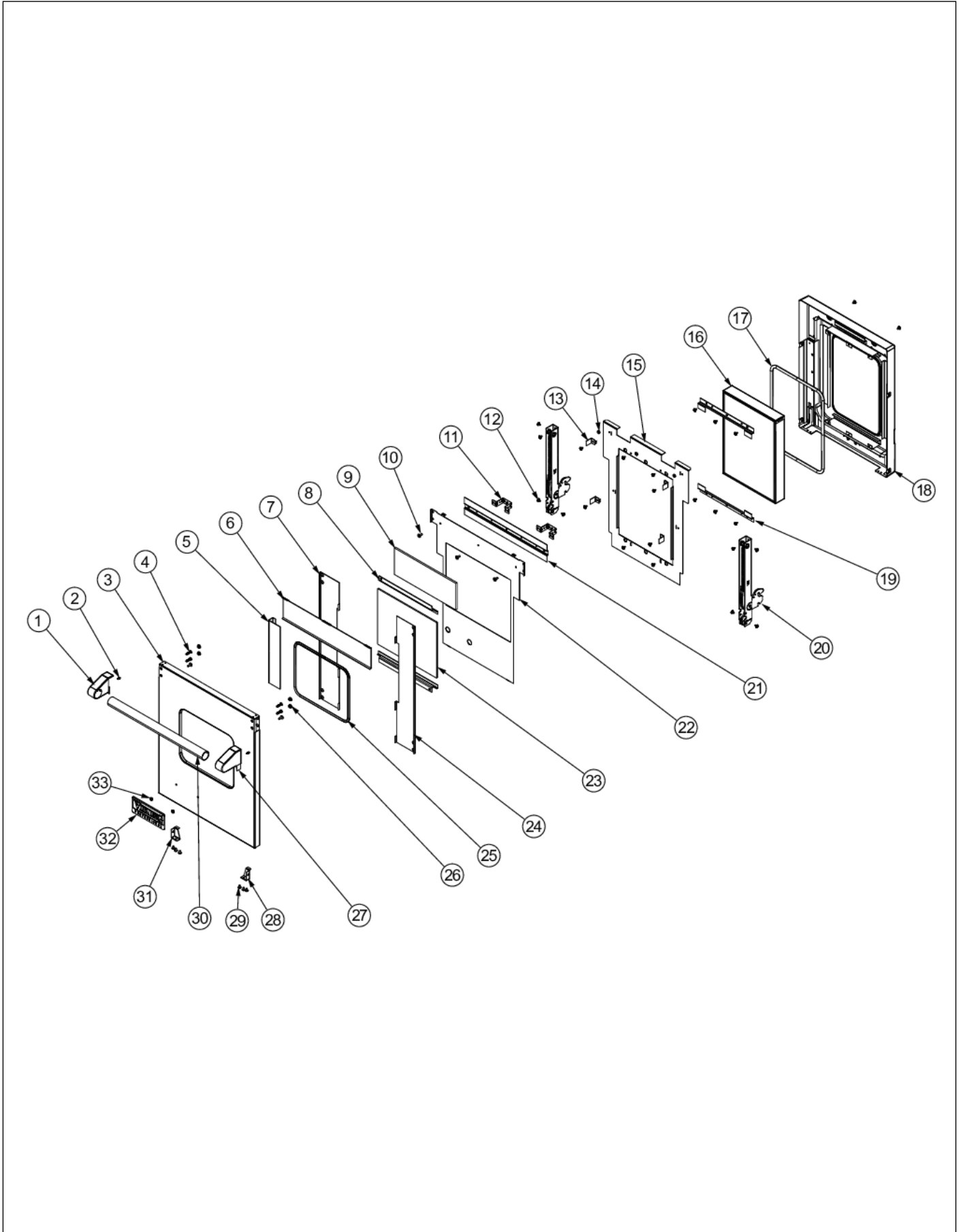
Item	Part No.	Name	Qty	Uom	NOTES
1	003011-000	DOOR HANDLE ENDCAP ASSY, LH (CHROME)	1	EA	
1	003011-100	DOOR HANDLE ENDCAP ASSY, LH (BRASS)	1	EA	
2	N/A	SET SCREW	2	EA	
3	006213-000	DOOR SKIN, 18" STAINLESS	1	EA	
4	030823-000	#10-32 PAN HEAD PHILLIPS MACHINE SCREW	1	EA	
5	011178-000	DOOR, SINK, LH, AL	1	EA	
6	006219-000	DOOR, SINK, AL	1	EA	
7	009428-000	BRACKET, DOOR, RH	1	EA	
8	020437-000	WINDOW HOLDER	2	EA	
9	006220-000	INSULATION, DOOR, SKIN, TOP, VDSC18"	1	EA	
10	PD020033	SRW #10-24 X 1/2" T (23) PH WFR HD (NKL)	2	EA	
11	A21014003	DOOR LINER MTG. BRKT.	1	EA	
12	PD020063	SCREW-#8(A) X 3/8"PH WFR HD/BK OXID	24	EA	
13	009426-000	STANDOFF, BRACKET, DOOR, LINER, VDSC18"	4	EA	
14	PD030010	#10-24 KEPS NUT ZINC PLATED	1	EA	
15	006209-000	DOOR LINER INSULATION RETAINER, 18"	1	EA	
16	005300-000	GLASS, WINDOW PACK, 18"	1	EA	
17	000594-000	BLACK FIBERGLASS ROPE 3/8	1	EA	
18	002709-000	DOOR LINER WELDED ASM, VDSC18	1	EA	
Not Shown	NOTE	(BEFORE 12/20/12)		EA	
18	002709-402	LINER, DOOR, WLD, ASSY 18" BK	1	EA	
Not Shown	NOTE	(ON OR AFTER 12/20/12		EA	
19	006207-000	DOOR GLASS HOLDER BRACKET, 18 DOOR	2	EA	
20	008276-000	HINGE, DOOR	1	EA	
21	006224-000	BRACKET, DOOR, MT, VDSC 18"	1	EA	



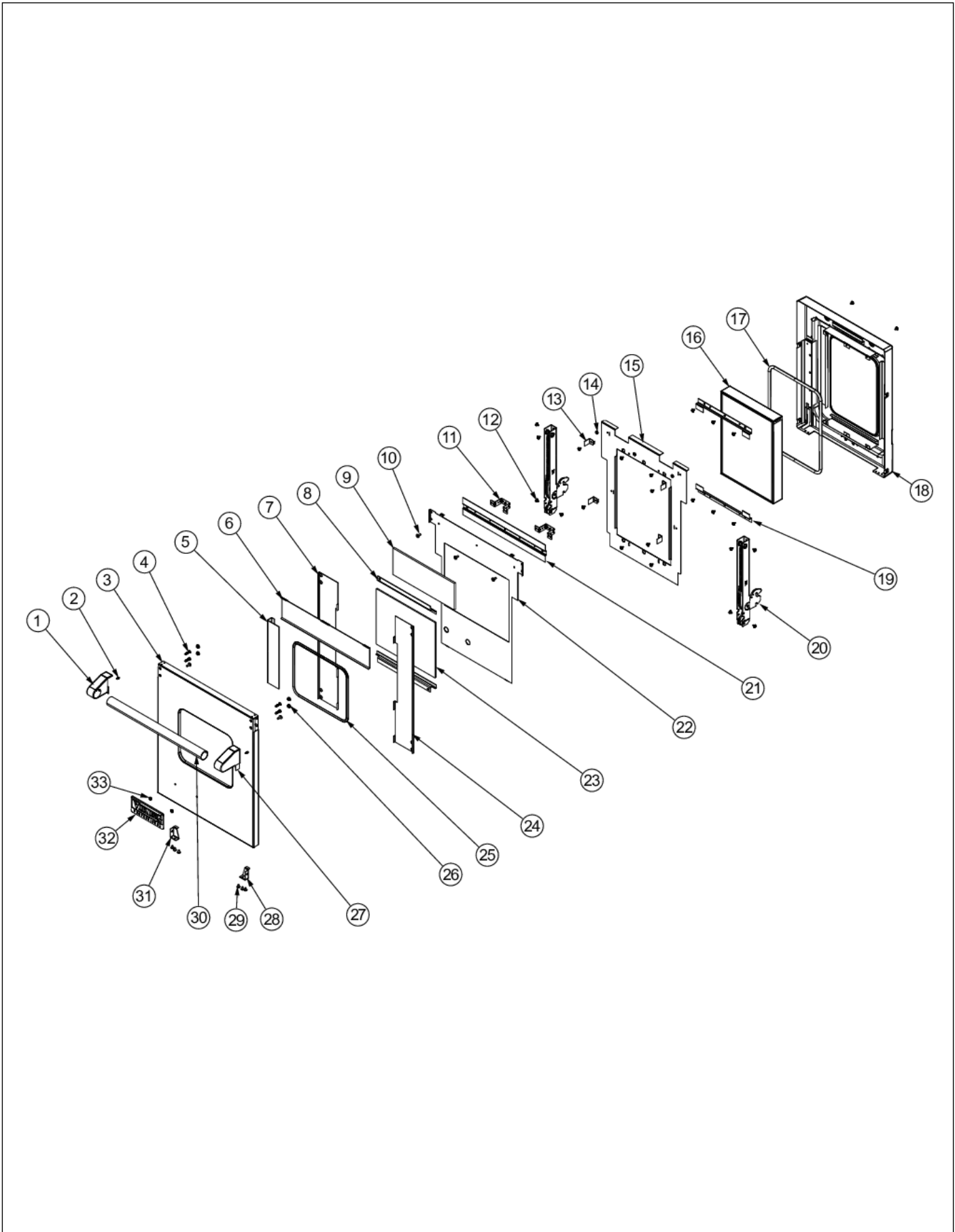
Item	Part No.	Name	Qty	Uom	NOTES
22	006222-000	DOOR SKIN INSULATION RETAINER 18"	1	EA	
23	006218-000	DOOR, GLASS, OUTER 18"	1	EA	
24	009427-000	BRACKET, DOOR, LH	1	EA	
25	006214-000	DOOR, SKIN, J-MOLD, VDSC 18", CHROME	1	EA	
26	004907-000	STEEL FINISHING PLUG, NICKEL PLTD 25/64" HOLE	2	EA	
27	003012-000	DOOR HANDLE ENDCAP ASSY, RH (CHROME)	1	EA	
27	003012-100	DOOR HANDLE ENDCAP ASSY, RH (BRASS) - NLA	1	EA	
28	006807-000	HINGE, BRACKET, RH	1	EA	
29	PD020032	SRW-8(A)X3/8"PH.WFR HD 7/16DIA*NICL	6	EA	
30	006221-000	18" DOOR HANDLE, SST	1	EA	
31	006808-000	HINGE, BRACKET, LH	1	EA	
32	PE010030	LOGO	1	EA	
32	PE010068	LOGO 6" (VGRC) BK/BR	1	EA	
33	PD030006	CAPPED WASHER PAL NUT	2	EA	
NI	006997-000	DOOR GASKET, 18	1	EA	
NI	006226-000	SKIN, DOOR, ASM - SS	1	EA	
NI	013358-002	DOOR, SKIN, ASM - BK	1	EA	
NI	013358-003	DOOR, SKIN, ASM - BT	1	EA	
NI	013358-004	DOOR, SKIN, ASM - SG	1	EA	
NI	013358-005	DOOR, SKIN, ASM - GG	1	EA	
NI	013358-006	DOOR, SKIN, ASM - WH	1	EA	
NI	013358-008	DOOR, SKIN, ASM - BU	1	EA	
NI	013358-009	DOOR, SKIN, ASM - LE	1	EA	
NI	013358-010	DOOR, SKIN, ASM - MJ	1	EA	
NI	013358-012	DOOR, SKIN, ASM - VB	1	EA	
NI	013358-013	DOOR, SKIN, ASM - CB	1	EA	
NI	013358-015	DOOR, SKIN, ASM - PL	1	EA	
NI	013358-016	DOOR, SKIN, ASM - CH	1	EA	
NI	013358-017	DOOR, SKIN, ASM - TP	1	EA	
NI	013358-018	DOOR, SKIN, ASM - CW NLA	1	EA	



Item	Part No.	Name	Qty	Uom	NOTES
NI	013358-019	DOOR, SKIN, ASM - OG	1	EA	
NI	013358-020	DOOR, SKIN, ASM - GM	1	EA	
NI	013358-021	DOOR, SKIN, ASM - SA	1	EA	
NI	013358-022	DOOR, SKIN, ASM - SE	1	EA	
NI	013358-023	DOOR, SKIN, ASM - IB	1	EA	
NI	013358-024	DOOR, SKIN, ASM - AR	1	EA	
NI	013358-025	DOOR, SKIN, ASM - RR	1	EA	
NI	013358-026	DOOR, SKIN, ASM - PM	1	EA	
NI	013358-027	DOOR, SKIN, ASM - MS	1	EA	
NI	006226-100	SKIN, DOOR, ASM - BR, SS	1	EA	Not available online / Call for pricing and availability
NI	013358-102	DOOR, SKIN, ASM - BR, BK	1	EA	
NI	013358-103	DOOR, SKIN, ASM - BR, BT	1	EA	
NI	013358-104	DOOR, SKIN, ASM - BR, SG	1	EA	
NI	013358-105	DOOR, SKIN, ASM - BR, GG	1	EA	
NI	013358-106	DOOR, SKIN, ASM - BR, WH	1	EA	
NI	013358-108	DOOR, SKIN, ASM - BR, BU	1	EA	
NI	013358-109	DOOR, SKIN, ASM - BR, LE	1	EA	
NI	013358-110	DOOR, SKIN, ASM - BR, MJ	1	EA	
NI	013358-112	DOOR, SKIN, ASM - BR, VB	1	EA	
NI	013358-113	DOOR, SKIN, ASM - BR, CB	1	EA	
NI	013358-115	DOOR, SKIN, ASM - BR, PL	1	EA	
NI	013358-116	DOOR, SKIN, ASM - BR, CH	1	EA	
NI	013358-117	DOOR, SKIN, ASM - BR, TP	1	EA	
NI	013358-118	DOOR, SKIN, ASM - BR, CW	1	EA	
NI	013358-119	DOOR, SKIN, ASM - BR, OG	1	EA	
NI	013358-120	DOOR, SKIN, ASM - BR, GM	1	EA	
NI	013358-121	DOOR, SKIN, ASM - BR, SA	1	EA	
NI	013358-122	DOOR, SKIN, ASM - BR, SE	1	EA	
NI	013358-123	DOOR, SKIN, ASM - BR, IB	1	EA	
NI	013358-124	DOOR, SKIN, ASM - BR, AR	1	EA	
NI	013358-125	DOOR, SKIN, ASM - BR, RR	1	EA	

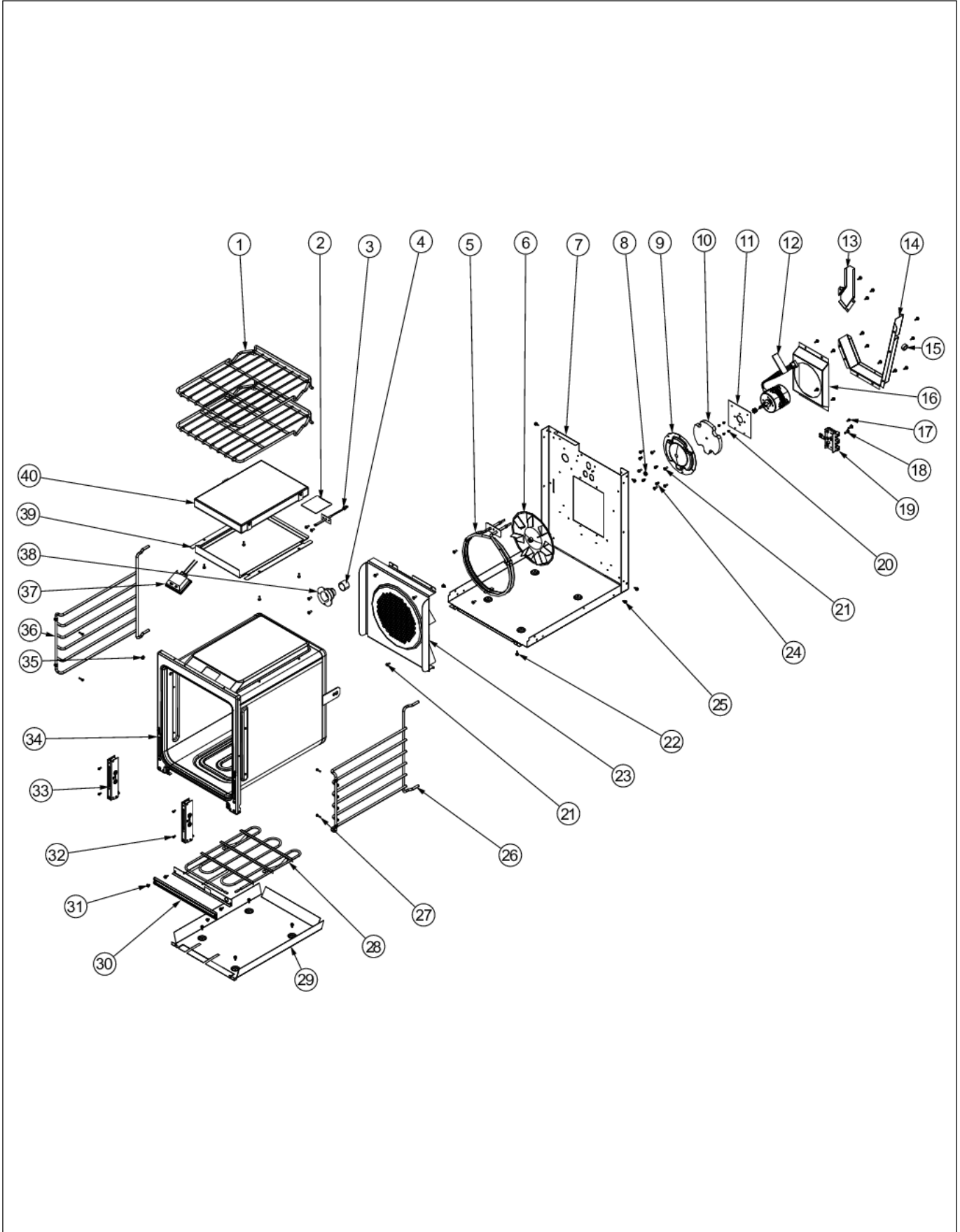


Item	Part No.	Name	Qty	Uom	NOTES
NI	013358-126	DOOR, SKIN, ASM - BR, PM	1	EA	
NI	013358-127	DOOR, SKIN, ASM - BR, MS	1	EA	
NI	006227-000	DOOR, ASM - SS	1	EA	
NI	013357-002	DOOR, ASM - BK	1	EA	Not available online / Call for pricing and availability
NI	013357-003	DOOR, ASM - BT	1	EA	
NI	013357-004	DOOR, ASM - SG	1	EA	
NI	013357-005	DOOR, ASM - GG	1	EA	
NI	013357-006	DOOR, ASM - WH	1	EA	
NI	013357-008	DOOR, ASM - BU	1	EA	
NI	013357-009	DOOR, ASM - LE	1	EA	
NI	013357-010	DOOR, ASM - MJ	1	EA	Not available online / Call for pricing and availability
NI	013357-012	DOOR, ASM - VB	1	EA	
NI	013357-013	DOOR, ASM - CB	1	EA	
NI	013357-015	DOOR, ASM - PL	1	EA	
NI	013357-016	DOOR, ASM - CH	1	EA	
NI	013357-017	DOOR, ASM - TP	1	EA	
NI	013357-018	DOOR, ASM - CW NLA	1	EA	
NI	013357-019	DOOR, ASM - OG	1	EA	
NI	013357-020	DOOR, ASM - GM	1	EA	
NI	013357-021	DOOR, ASM - SA	1	EA	
NI	013357-022	DOOR, ASM - SE	1	EA	
NI	013357-023	DOOR, ASM - IB	1	EA	
NI	013357-024	DOOR, ASM - AR	1	EA	
NI	013357-025	DOOR, ASM - RR	1	EA	
NI	013357-026	DOOR, ASM - PM	1	EA	
NI	013357-027	DOOR, ASM - MS	1	EA	
NI	006227-100	DOOR, ASM - BR, SS	1	EA	
NI	013357-102	DOOR, ASM - BR, BK	1	EA	
NI	013357-103	DOOR, ASM - BR, BT	1	EA	
NI	013357-104	DOOR, ASM - BR, SG	1	EA	

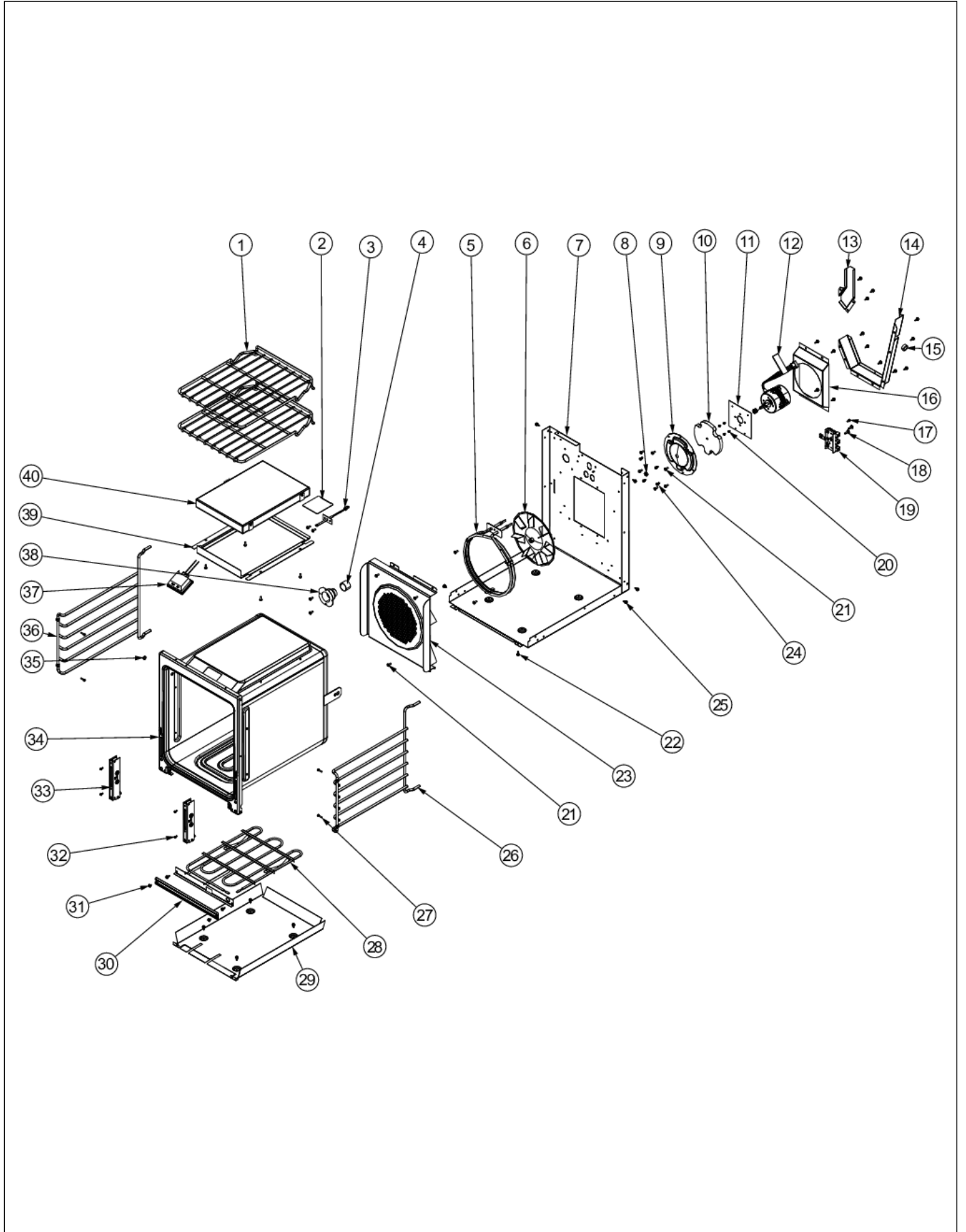


Item	Part No.	Name	Qty	Uom	NOTES
NI	013357-105	DOOR, ASM - BR, GG	1	EA	
NI	013357-106	DOOR, ASM - BR, WH	1	EA	
NI	013357-108	DOOR, ASM - BR, BU	1	EA	
NI	013357-109	DOOR, ASM - BR, LE	1	EA	
NI	013357-110	DOOR, ASM - BR, MJ	1	EA	Not available online / Call for pricing and availability
NI	013357-112	DOOR, ASM - BR, VB	1	EA	
NI	013357-113	DOOR, ASM - BR, CB	1	EA	
NI	013357-115	DOOR, ASM - BR, PL	1	EA	
NI	013357-116	DOOR, ASM - BR, CH	1	EA	
NI	013357-117	DOOR, ASM - BR, TP	1	EA	
NI	013357-118	DOOR, ASM - BR, CW	1	EA	
NI	013357-119	DOOR, ASM - BR, OG	1	EA	
NI	013357-120	DOOR, ASM - BR, GM	1	EA	
NI	013357-121	DOOR, ASM - BR, SA	1	EA	
NI	013357-122	DOOR, ASM - BR, SE	1	EA	
NI	013357-123	DOOR, ASM - BR, IB	1	EA	
NI	013357-124	DOOR, ASM - BR, AR	1	EA	
NI	013357-125	DOOR, ASM - BR, RR	1	EA	
NI	013357-126	DOOR, ASM - BR, PM	1	EA	
NI	013357-127	DOOR, ASM - BR, MS	1	EA	

LH OVEN CAVITY



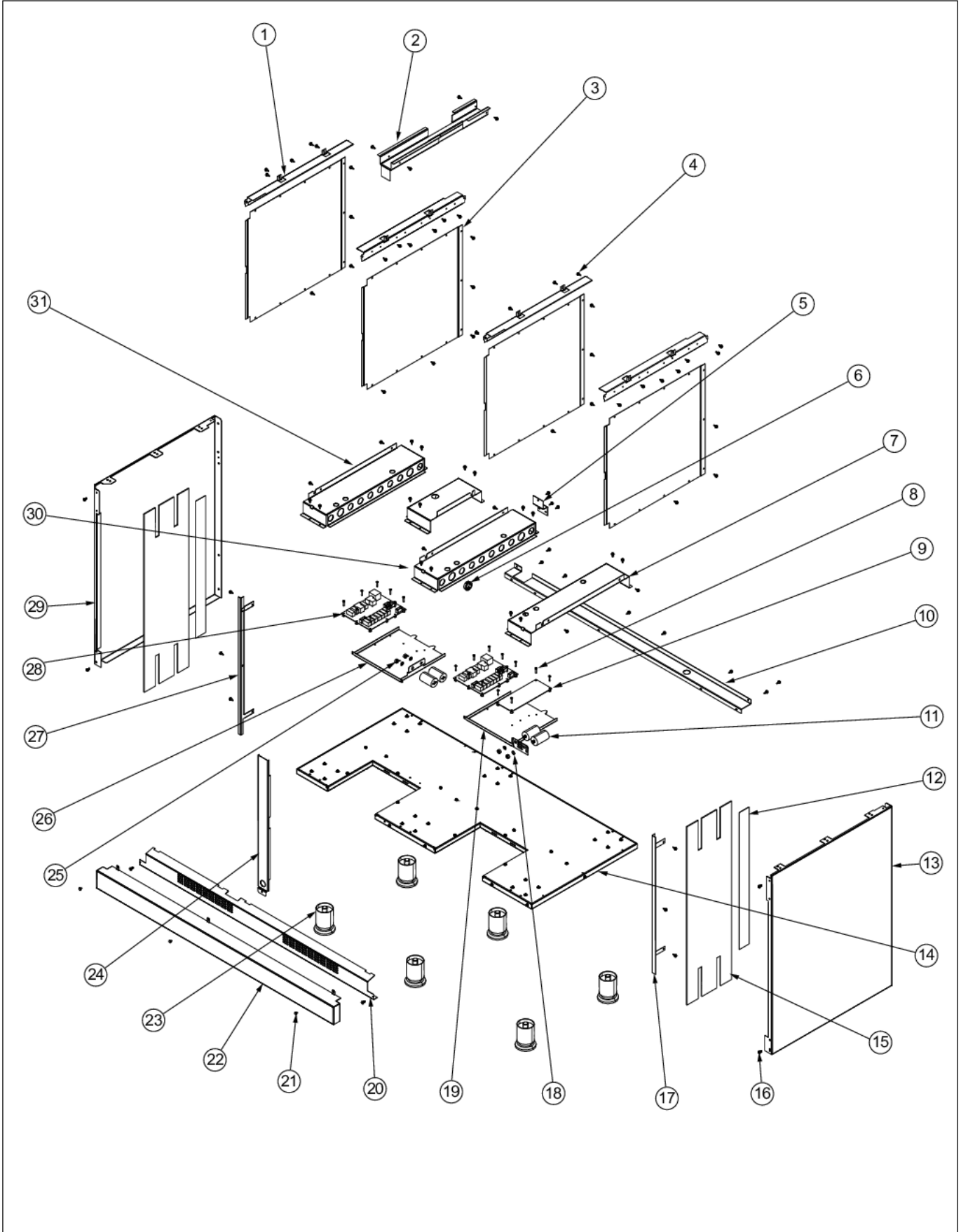
Item	Part No.	Name	Qty	Uom	NOTES
1	006379-000	OVEN, RACK, ASM, STANDARD, VDSC18	2	EA	
2	006203-000	SHIELD, RTD, VDSC18"	1	EA	
3	PE050206	RTD THERMOSTAT PROBE	1	EA	
4	PB020275	VENT TUBE	1	EA	
5	PJ010047	CONVECTION ELEMENT	1	EA	
6	PE050227	CONVECTION FAN BLADE ASSY	1	EA	
7	006160-000	OVEN, BACK, BOT, FLAT, VDSC18"	1	EA	
8	PD030149	5/16 NUT	1	EA	
9	023116-000	PLATE, MOUNTING, CONVECTION MOTOR	1	EA	
10	013550-000	CONV MOTOR MTG PLATE INSULATION	1	EA	
11	007248-000	BAFFLE, FAN, REAR, VDSC18"	1	EA	
12	005458-000	FAN, MOTOR, CONVECTION, VDSC18" OVEN	1	EA	
13	007441-000	EXHAUST, DUCT, REAR, VDSC18"	1	EA	
14	007248-000	BAFFLE, FAN, REAR, VDSC18"	1	EA	
15	PD040005	SNAP BUSHING - 7/8"	1	EA	
16	A2009697	BRACKET, CONVECTION INSULATION	1	EA	
17	PD020010	10 X 3/8 GREEN GROUNDING SCREW	1	EA	
18	PD020014	10X3/4 PH TR HD SMS	2	EA	
19	PE070147	TERMINAL BLOCK (VDSC)	1	EA	
20	PD010028	BOLT M4X5	4	EA	
21	PD020048	NO.10 X 1/2 TEK 410 SS SCREW	19	EA	
22	003860-000	10-18 x .500 FASTNR,SCR,HXWH,STL,ZPLT	24	EA	
23	006176-000	BAFFLE, CNVN, ASM, VDSC 18"	1	EA	
24	PD020055	' #10 X 1/2" PAN PHIL. TEK.*SS*	4	EA	
25	014143-000	SCR 10-12 A SHLD TRP 1/2 S ZN BLUE	2	EA	
26	066478-402	SUPPORT, RACK, RHS, PORCELAIN	1	EA	



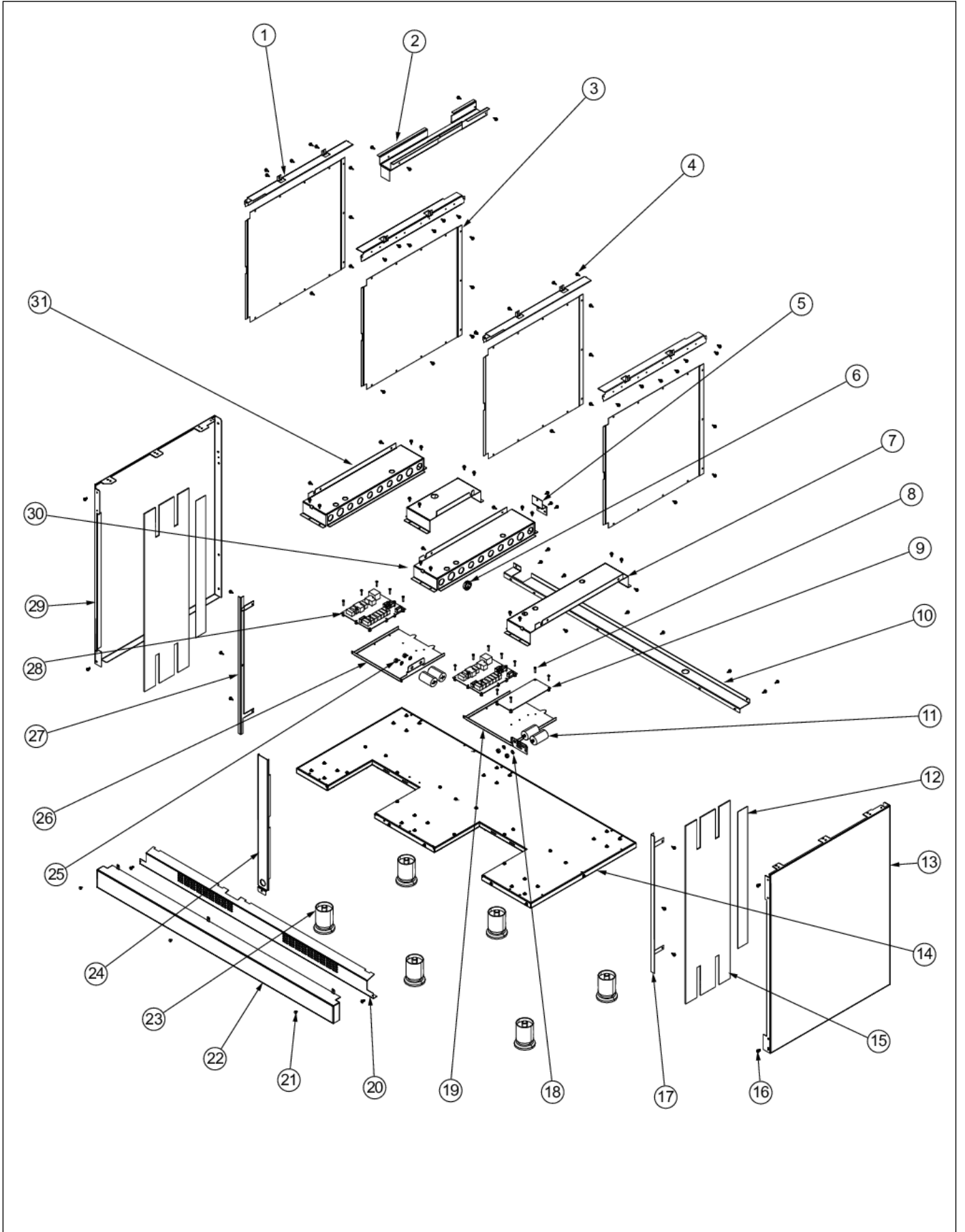


Item	Part No.	Name	Qty	Uom	NOTES
27	PD020232	#8 X 3/4" PH PAN HEAD TEK SCREW (BLACK OXIDE)	4	EA	
28	006166-000	ELEMENT, BAKE, VDSC18"	1	EA	
29	006163-000	ELEMENT, MTG, FLAT, TRAY, VDSC18"	1	EA	
30	003490-000	COVER, BAKE, 18"	1	EA	
31	PD020063	SCREW-#8(A) X 3/8" PH WFR HD/BK OXID	2	EA	
32	PD020062	#8-32 X 3/8 PHMS TYPE 1	4	EA	
33	031679-000	RECEPTACLE, HINGE	1	EA	
34	NON-SERVICEABLE	OVEN, CVTY, ASM, VDSC 18"	1	EA	
35	E91014053	PORCELAIN 25/64" HOLE PLUG	1	EA	Not available online / Call for pricing and availability
36	066479-402	SUPPORT, RACK, LHS, PORCELAIN	1	EA	
37	020403-000	LAMP, OVEN, 120V/40W	1	EA	
38	PM010014	SMOKE ELIMINATOR (VDSC)	1	EA	
39	006748-000	BRACKET, SST, 201HP, MILL, VD SC18", GLASS BROILER	1	EA	
40	006380-000	ELEMENT, GLASS, BROILER, 18"	1	EA	

LOWER UNIT AND SIDE PANEL



Item	Part No.	Name	Qty	Uom	NOTES
1	A2009641	BRKT, TOP WRAPPER	3	EA	
2	006749-000	CONNECTOR, BRKT, CTR, VDSC548	1	EA	
3	014137-000	WRAPPER, OVEN SIDE	4	EA	
4	003860-000	10-18 x .500 FASTNR, SCR, HXWH, STL, ZPLT	80	EA	
5	013787-000	BRACKET, MTG, REAR, OVEN CAVITY	1	EA	
6	PD040152	SNAP BUSHING	1	EA	
7	NON-SERVICEABLE	OVEN MODULE SUPPORT CHANNEL, RH	1	EA	
8	PD020043	#6-32 X .750 PH. CTRSK T(F)-VGSO166	22	EA	
9	038417-000	EOC4 POWER SUPPLY BOARD, CB	1	EA	
10	006158-000	RANGE BASE, BACK, VDSC 48"	1	EA	
11	036047-000	CAPACITOR, CONV MOTOR, INTL	4	EA	
12	M0275166	TAPE-ALUM SL	2	EA	
13	003802-000	SIDE PANEL ASSY, RH, SST	1	EA	
13	005503-002	SIDE PANEL, RH ASSY, PAINTED BK	1	EA	
13	005503-005	SIDE PANEL, RH ASSY, PAINTED GG	1	EA	
13	005503-006	SIDE PANEL, RH ASSY, PAINTED WH	1	EA	
13	005503-008	SIDE PANEL, RH ASSY, PAINTED BU	1	EA	
13	005503-013	SIDE PANEL, RH ASSY, PAINTED CB	1	EA	
13	005503-024	SIDE PANEL, RH ASSY, PAINTED AR	1	EA	
14	006157-000	RANGE, BASE, ASM, VDSC548	1	EA	NO LONGER AVAILABLE, Not available online / Call for pricing and availability
15	007488-000	SINK, REAR, SIDE	2	EA	
16	003801-000	SHOULDER SCREW, #10	7	EA	
17	003644-000	TRIM, FRONT, SIDE, STAINLESS	1	EA	
18	PD040164	5/16 INTERNAL TOOTH LOCK WASHER TYPE A	4	EA	





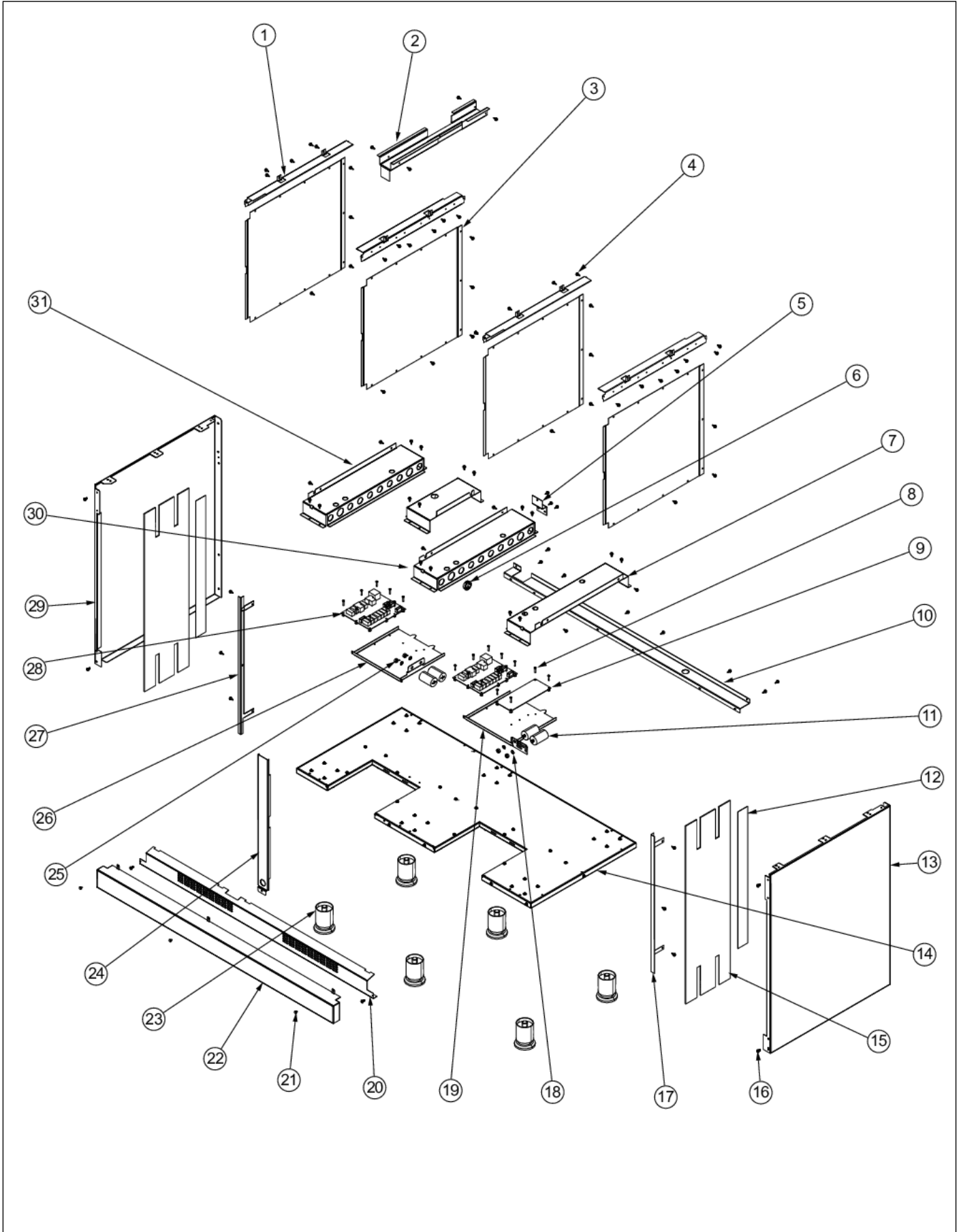
Item	Part No.	Name	Qty	Uom	NOTES
19	023825-000	TRAY, CNTRL, EOC4 SMPS	1	EA	
20	051834-000	GRILL, ACS, LWR, 48"	1	EA	
21	PD020032	SRW-8(A)X3/8"PH.WFR HD 7/16DIA*NICL	3	EA	
22	006300-000	KICKPLATE,RNG,SST,VDSC548	1	EA	
Not Shown	NOTE	(BEFORE 09/25/12)		EA	
22	038433-000	KICKPLATE,RNG,SST,VDSC48	1	EA	
Not Shown	NOTE	(ON OR AFTER 09/25/12)		EA	
22	038434-002	KICKPLATE, RNG, VDSC48" BK	1	EA	
22	038434-005	KICKPLATE, RNG, VDSC48" GG	1	EA	
22	038434-006	KICKPLATE, RNG, VDSC48" WH	1	EA	Not available online / Call for pricing and availability
22	038434-008	KICKPLATE, RNG, VDSC48" BU	1	EA	
22	038434-013	KICKPLATE, RNG, VDSC48" CB	1	EA	
22	038434-024	KICKPLATE, RNG, VDSC48" AR	1	EA	
23	044178-000	RANGE, LEG, ADJUSTABLE	6	EA	
24	006750-000	RANGE, TRIM, CTR, VDSC548	1	EA	
25	PD030172	M8 X 1.25MM NUT	4	EA	
26	015096-000	PLATE, MTG, EOC4 CONTROL BOARD	1	EA	
27	010956-000	OVEN,TRIM,LH,SST,FLAT,VDS C548	1	EA	
28	002406-000	CONTROL BOARD	2	EA	

Comments for Part Num. 002406-000

haarnink@vikingrange.com on Jun 18, 2015

For the international E Model numbers EVDSC5 we need to add the info that since First unit was EVDSC530S4B: 092314C10147281 any EVDSC built in 2014 went into production with EOC4. so here we need to add the part number 014000-000 EOC4 plus the SMPS part number 013999-000

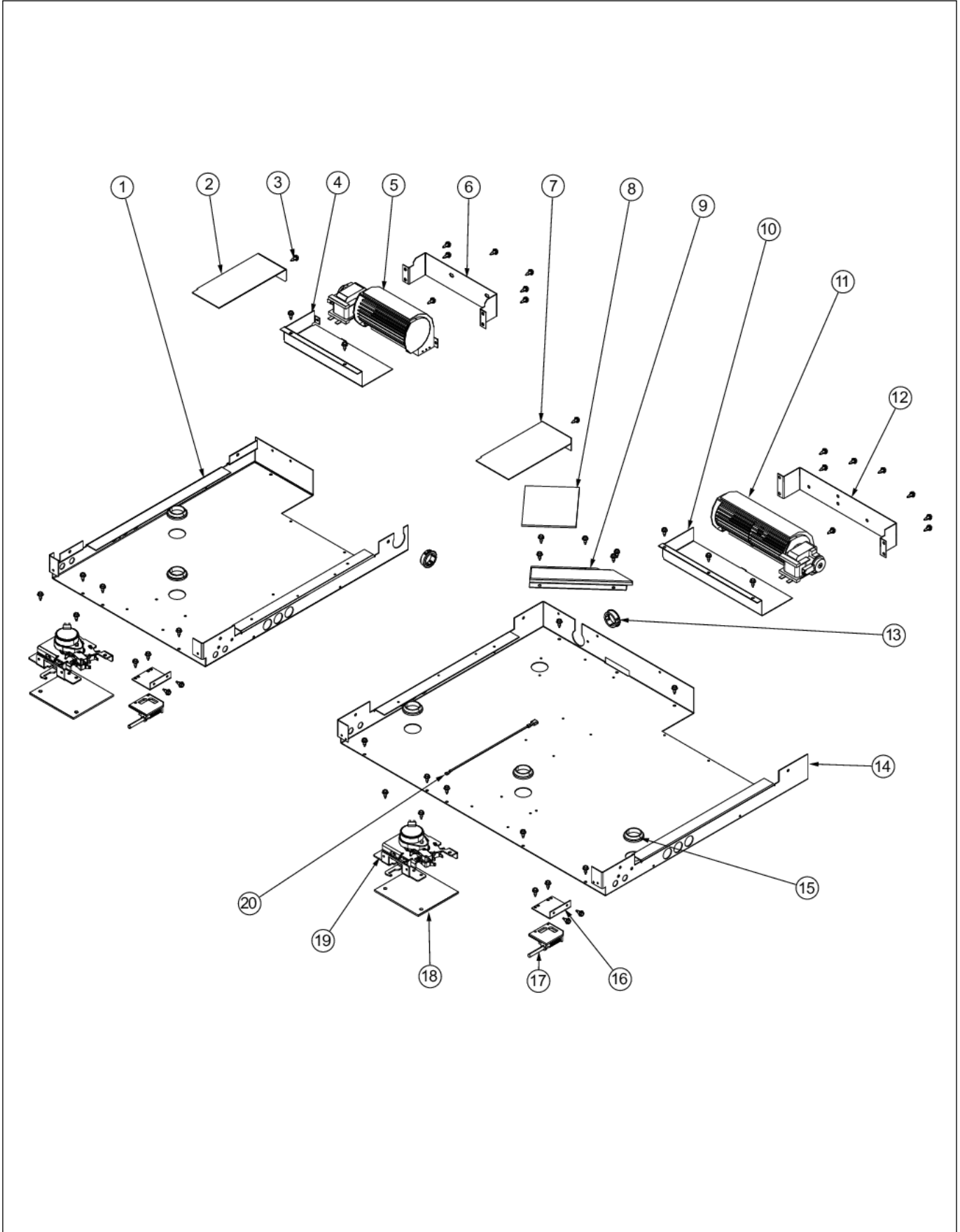
Not Shown	NOTE	(BEFORE 07/29/10)		EA	
28	046142-556	CONTROL, EOC4, LED, V39/V51 & FAMILY	2	EA	
Not Shown	NOTE	(ON OR AFTER 07/29/10)		EA	



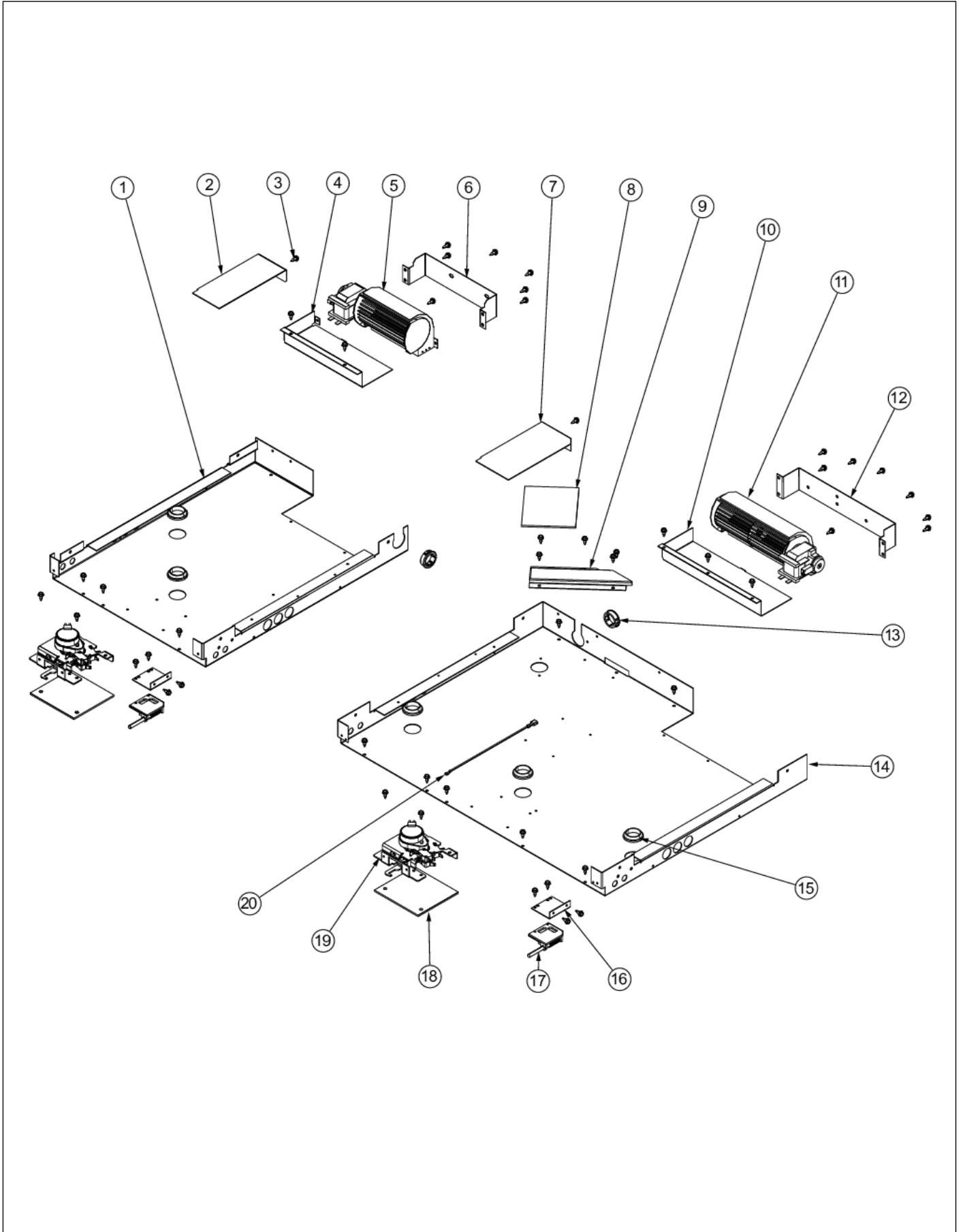


Item	Part No.	Name	Qty	Uom	NOTES
29	007992-000	RANGE,PNL,ASM,LH,SIDE,VDS C548	1	EA	
29	013365-002	SIDE PANEL ASM, LH 48" BK	1	EA	Not available online / Call for pricing and availability
29	013365-005	SIDE PANEL ASM, LH 48"-GG	1	EA	Not available online / Call for pricing and availability
29	013365-006	SIDE PANEL ASM, LH 48" WH	1	EA	
29	013365-008	SIDE PANEL ASM, LH 48" BU	1	EA	Not available online / Call for pricing and availability
29	013365-013	SIDE PANEL ASM, LH 48" CB	1	EA	
29	013365-024	SIDE PANEL ASM, LH 48"-AR	1	EA	
30	NON-SERVICEABLE	SUPPORT,OVEN,BOT,RH,VDSC 548	1	EA	
31	NON-SERVICEABLE	OVEN MODULE SUPPORT CHANNEL, LH	2	EA	
NI	023023-000	HARN, HEADER, MODEL 15 (SEE MODEL_HEADER)	1	EA	
NI	023024-000	HARN, HEADER, MODEL 16 (SEE MODEL_HEADER)	1	EA	

OVEN ELECTRONICS



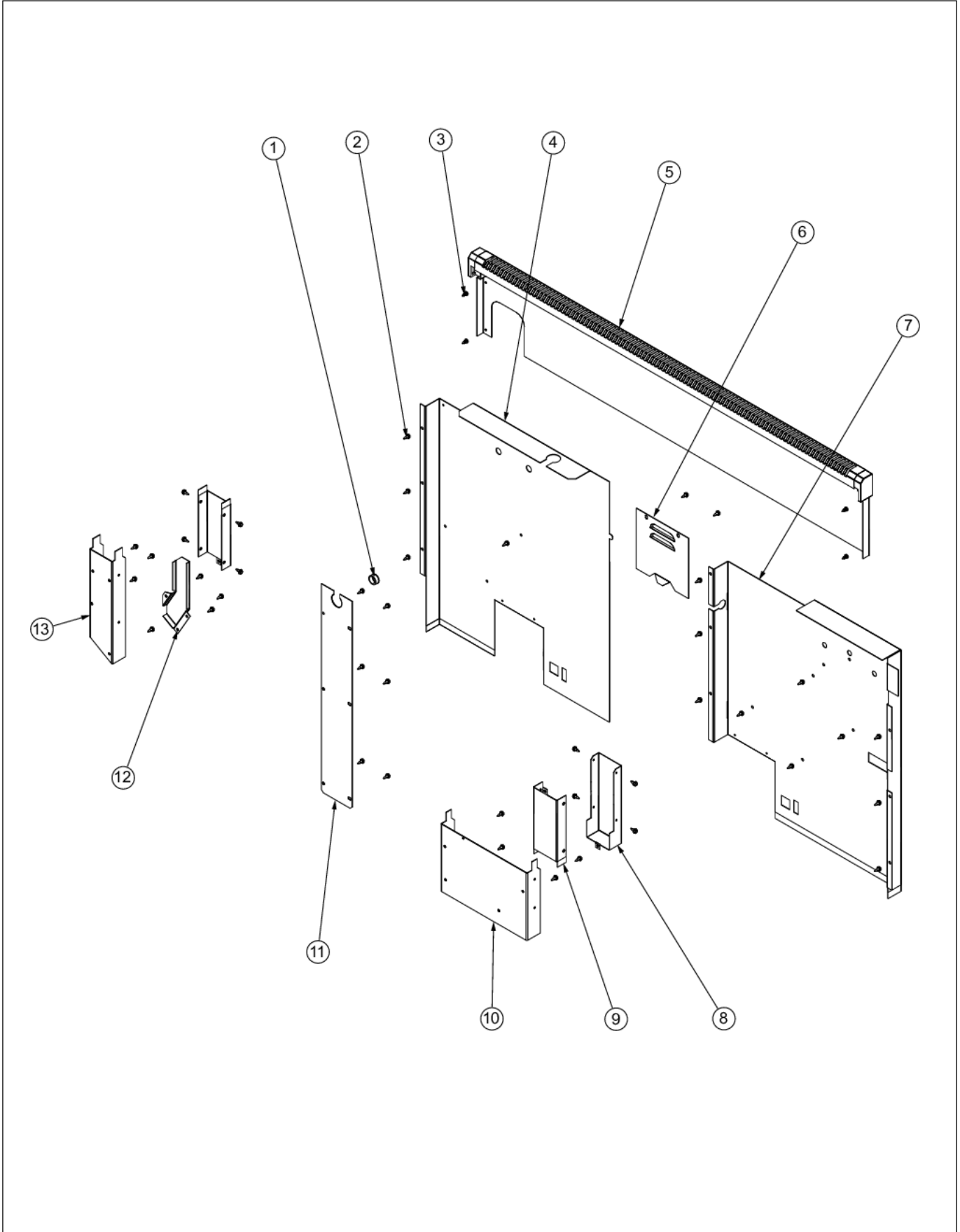
Item	Part No.	Name	Qty	Uom	NOTES
1	006195-000	OVEN, MDL, TOP, FLAT, VDSC18"	1	EA	
2	007793-000	PLATE, SVCE, FLAT, REGULATOR, VDSC 548	1	EA	
3	003860-000	10-18 x .500 FASTNR, SCR, HXWH, STL, ZPLT	49	EA	
4	007419-000	BRACKET, FAN, MT, BOT, VDSC 18"	1	EA	
5	007794-000	COOLING FAN, VDSC 18"	1	EA	
Not Shown	NOTE	(BEFORE 8/12/2013)		EA	
5	018608-000	FAN, BLO, 220-240V 50/60Hz ASM (MT1712)	1	EA	
Not Shown	NOTE	(ON OR AFTER 8/12/2013)		EA	
6	007420-000	COOLING, FAN, MOUNTING, BRACKET, VDSC18"	1	EA	
7	004016-000	PLATE, SVCE, RGLT	1	EA	
8	004285-000	INSULATION, FOIL-BACKED, 4"x5"	1	EA	
9	003333-000	DUCT, FLUE	1	EA	
10	A2009659	Blower Bracket	1	EA	
11	PE050250	Blower	1	EA	
Comments for Part Num. PE050250 highendappsvc@gmail.com on Jan 28, 2019 If you need to replace cooling fan for the model vgsc5486gss serial date code 031412, do not order this fan, this fan is larger and configured wrong. The correct fan is 007794-000. it is smaller.					
Not Shown	NOTE	(BEFORE 8/10/2013)		EA	
11	018607-000	FAN, BLO, 220-240V 50/60Hz ASM (MT1664)	1	EA	
Not Shown	NOTE	(ON OR AFTER 8/10/2013)		EA	
12	004110-000	Blower Mount	1	EA	
13	PD040152	SNAP BUSHING	2	EA	
14	002754-000	RANGE TOP BRACE, AIR CHANNEL	1	EA	
15	PB070079	SILICONE EXTRUSION (DGSU)	5	EA	





Item	Part No.	Name	Qty	Uom	NOTES
16	A20012649	DOOR SWITCH BRACKET	2	EA	
17	PE050208	DOOR SWITCH	2	EA	
18	NON-SERVICEABLE	LOWER LATCH INSULATION	2	EA	
19	013250-000	LATCH,DOOR,ASM,240V,GRID DLE LOCKOUT	2	EA	
Not Shown	NOTE	(BEFORE 10/31/13)		EA	
19	039293-000	LATCH, ELEC, 240V, ASSY	2	EA	
Not Shown	NOTE	(ON OR AFTER 10/31/13)		EA	
20	G4000936	GROUND WIRE	1	EA	

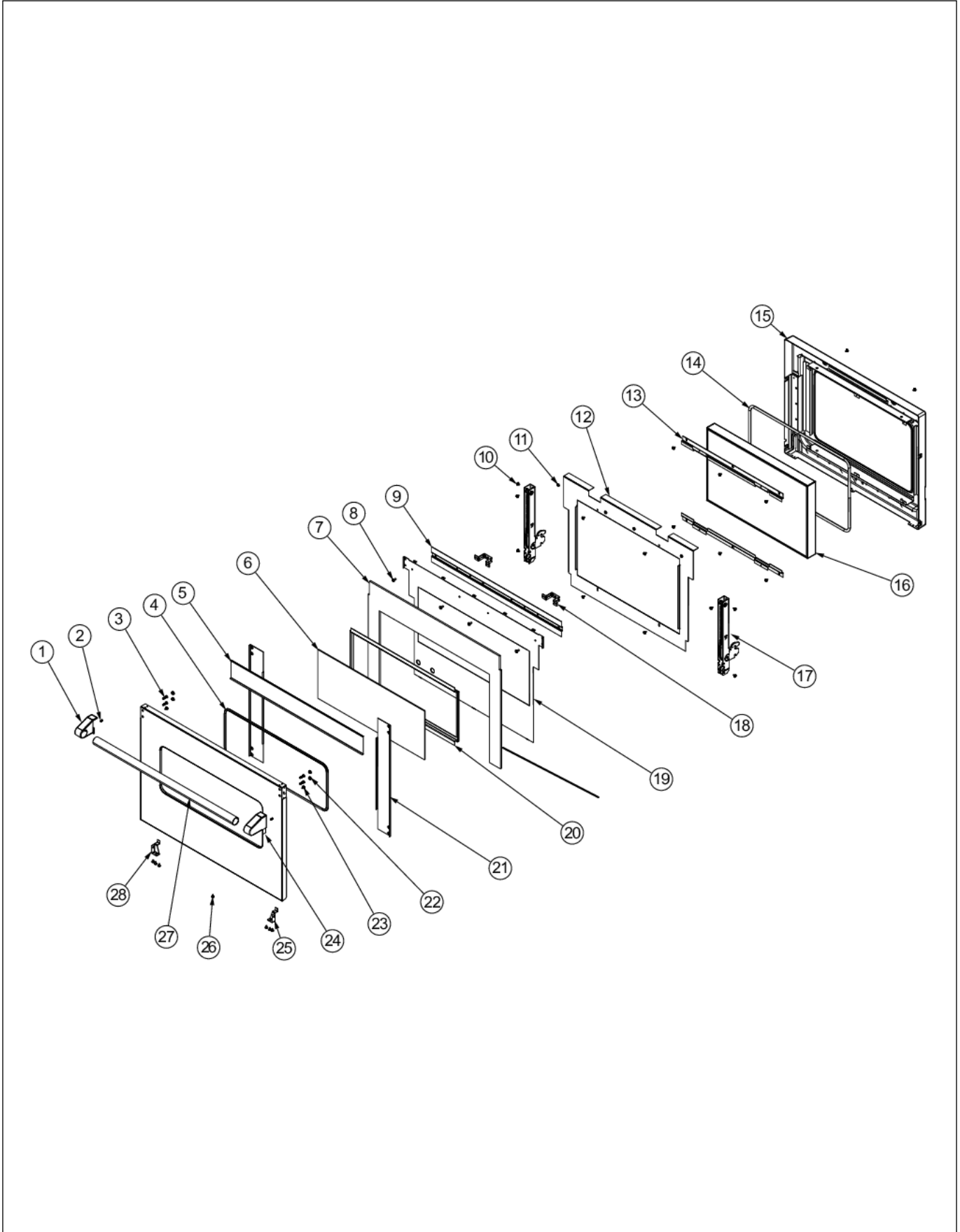
REAR SHEET METAL



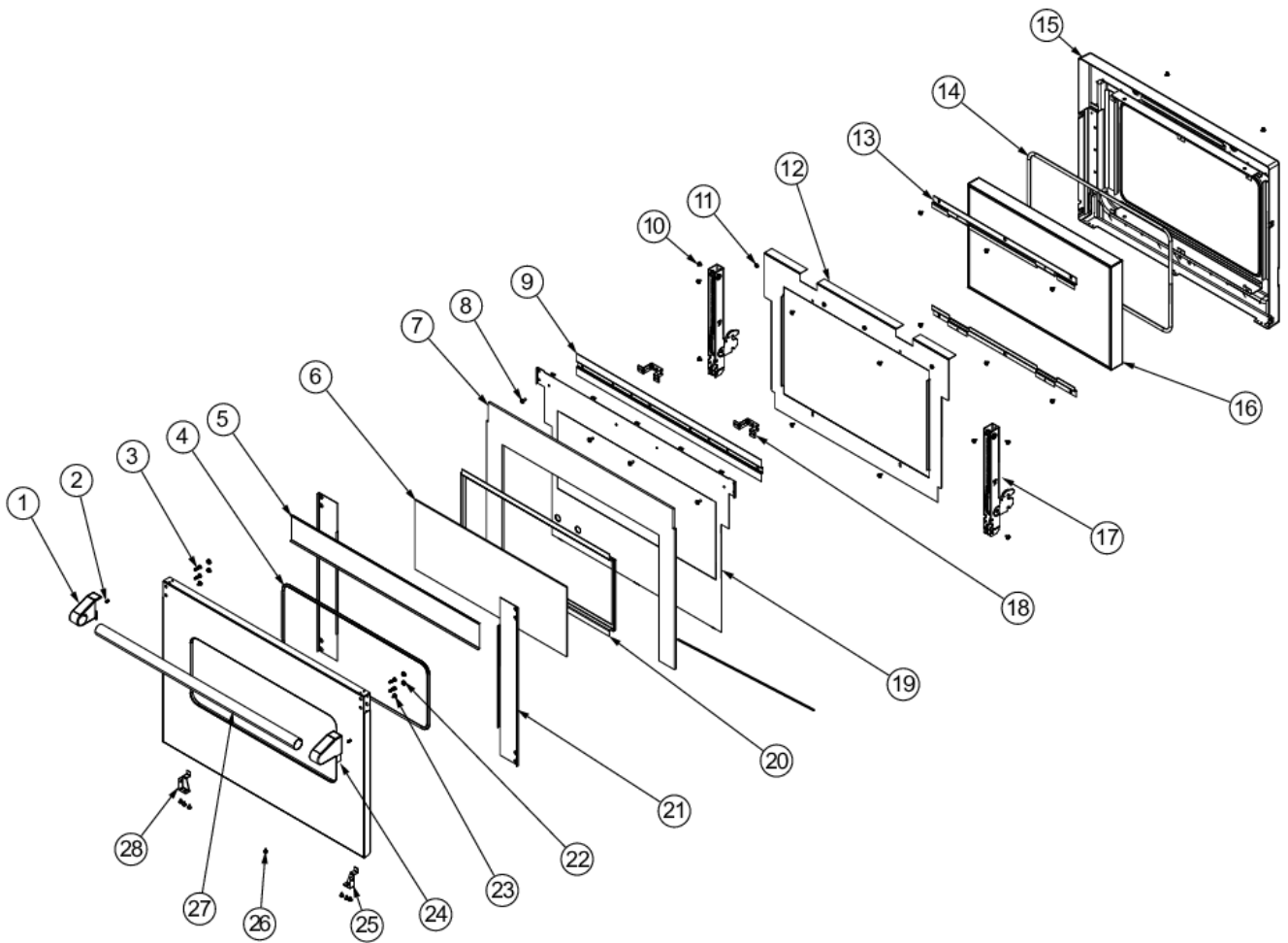


Item	Part No.	Name	Qty	Uom	NOTES
1	PD040005	SNAP BUSHING - 7/8"	1	EA	
2	003860-000	10-18 x .500 FASTNR,SCR,HXWH,STL,ZPLT	40	EA	
3	PD020055	' #10 X 1/2" PAN PHIL. TEK.*SS*	4	EA	
4	007504-000	COVER, BACK, VDSC18"	1	EA	Not available online / Call for pricing and availability
5	041509-000	TRIM, IS, ASSY, 48"	1	EA	
6	A2002454	BACK, COVER ACCESS DOOR	1	EA	
7	003272-000	COVER, BACK- INTERNATIONAL	1	EA	
8	A20010101	FLUE, OUTSIDE SHELL	1	EA	
9	A20010102	FLUE, CENTER EXTENDED	2	EA	
10	003681-000	DUCT, AIR	1	EA	
11	006400-000	PLATE, BACK, CTR, VDSC48"	1	EA	
12	007441-000	EXHAUST, DUCT, REAR, VDSC18"	1	EA	
13	007188-000	DUCT, AIR, REAR, VDSC18"	1	EA	
NI	A2002654	ANTI-TIP DEVICE (VDSC)	1	EA	
NI	034927-000	BRACKET, ANTI-TIP	1	EA	
NI	034928-000	BRACKET, HOOK, ANTI-TIP	1	EA	

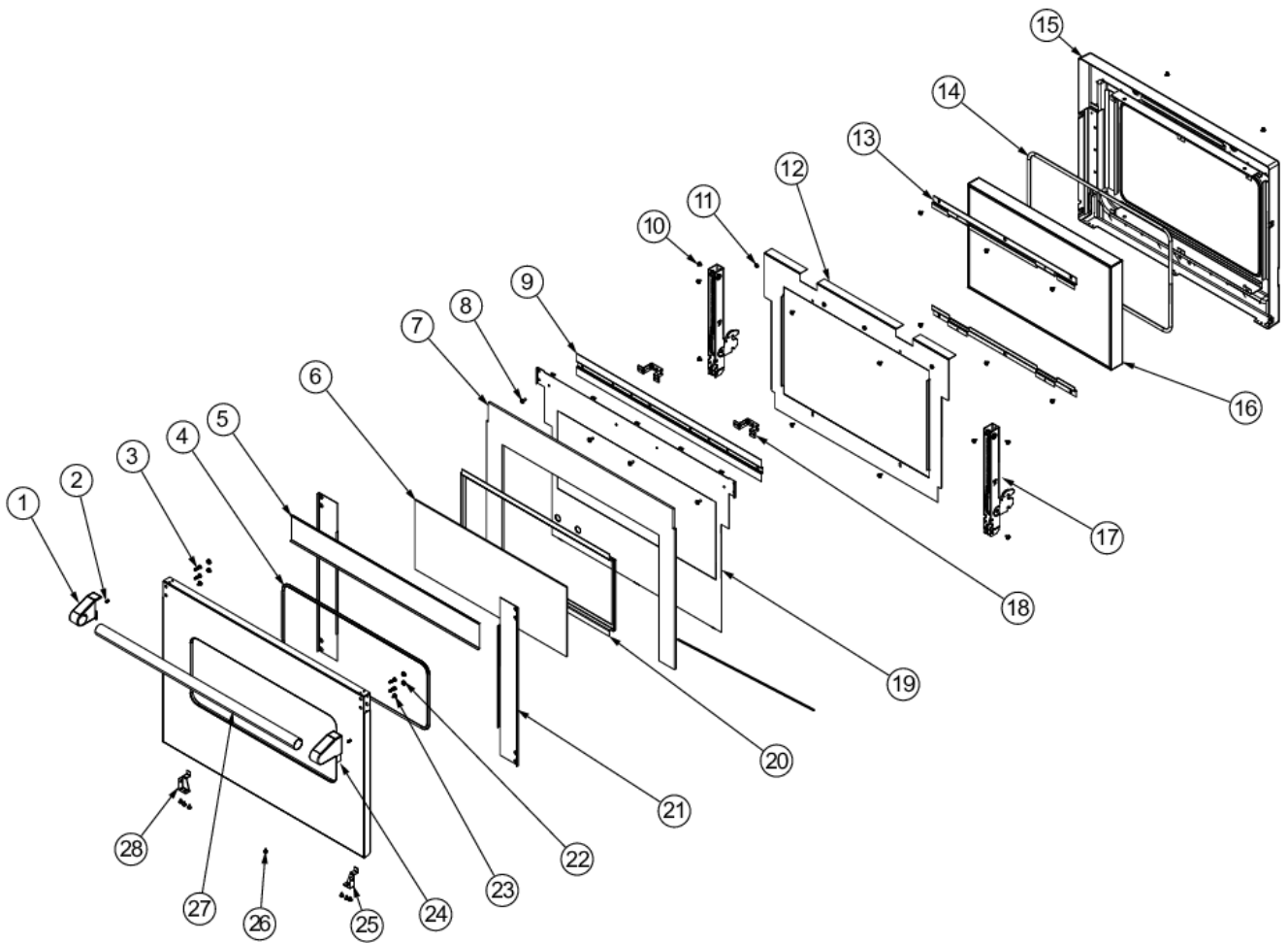
RH DOOR ASSEMBLY



Item	Part No.	Name	Qty	Uom	NOTES
1	003011-000	DOOR HANDLE ENDCAP ASSY, LH (CHROME)	1	EA	
1	003011-100	DOOR HANDLE ENDCAP ASSY, LH (BRASS)	1	EA	
2	N/A	SET SCREW	2	EA	
3	030823-000	#10-32 PAN HEAD PHILLIPS MACHINE SCREW	4	EA	
4	PE060105	30" J-MOLD (CHROME)	1	EA	
5	002724-000	DOOR SKIN HEAT SINK, 30"	1	EA	
6	PE060090	30" PROF. OUTER DOOR GLASS	1	EA	
7	006788-000	INSULATION,DOOR, TOP,SUPE RWOOL,.25,VDSC530	1	EA	
8	PD020033	SRW #10-24 X 1/2" T (23) PH WFR HD (NKL)	4	EA	
9	002732-000	DOOR SKIN MOUNTING BRACKET ASSY	1	EA	
10	PD020063	SCREW-#8(A) X 3/8"PH WFR HD/BK OXID	18	EA	
11	PD030010	#10-24 KEPS NUT ZINC PLATED	4	EA	
12	004152-000	DOOR LINER INSULATION RETAINER, 30	1	EA	
13	004153-000	DOOR GLASS HOLDER BRACKET	2	EA	
14	000594-000	BLACK FIBERGLASS ROPE 3/8	1	EA	
15	015412-000	DOOR LINER SPOTWELD ASM	1	EA	
Not Shown	NOTE	(BEFORE 12/20/12)		EA	
15	015412-402	LINER, DOOR, WLD, ASSY, 30" BLK	1	EA	
Not Shown	NOTE	(ON OR AFTER 12/20/12)		EA	
16	PE060094	30 WINDOW PACK	1	EA	
17	002740-000	DOOR HINGE	2	EA	See TC-0121-SP Service Bulletin
18	A21014003	DOOR LINER MTG. BRKT.	2	EA	
19	002730-000	DOOR SKIN INSULATION RETAINER, BLACK	1	EA	
20	L20014077	30" WINDOW HOLDER	1	EA	

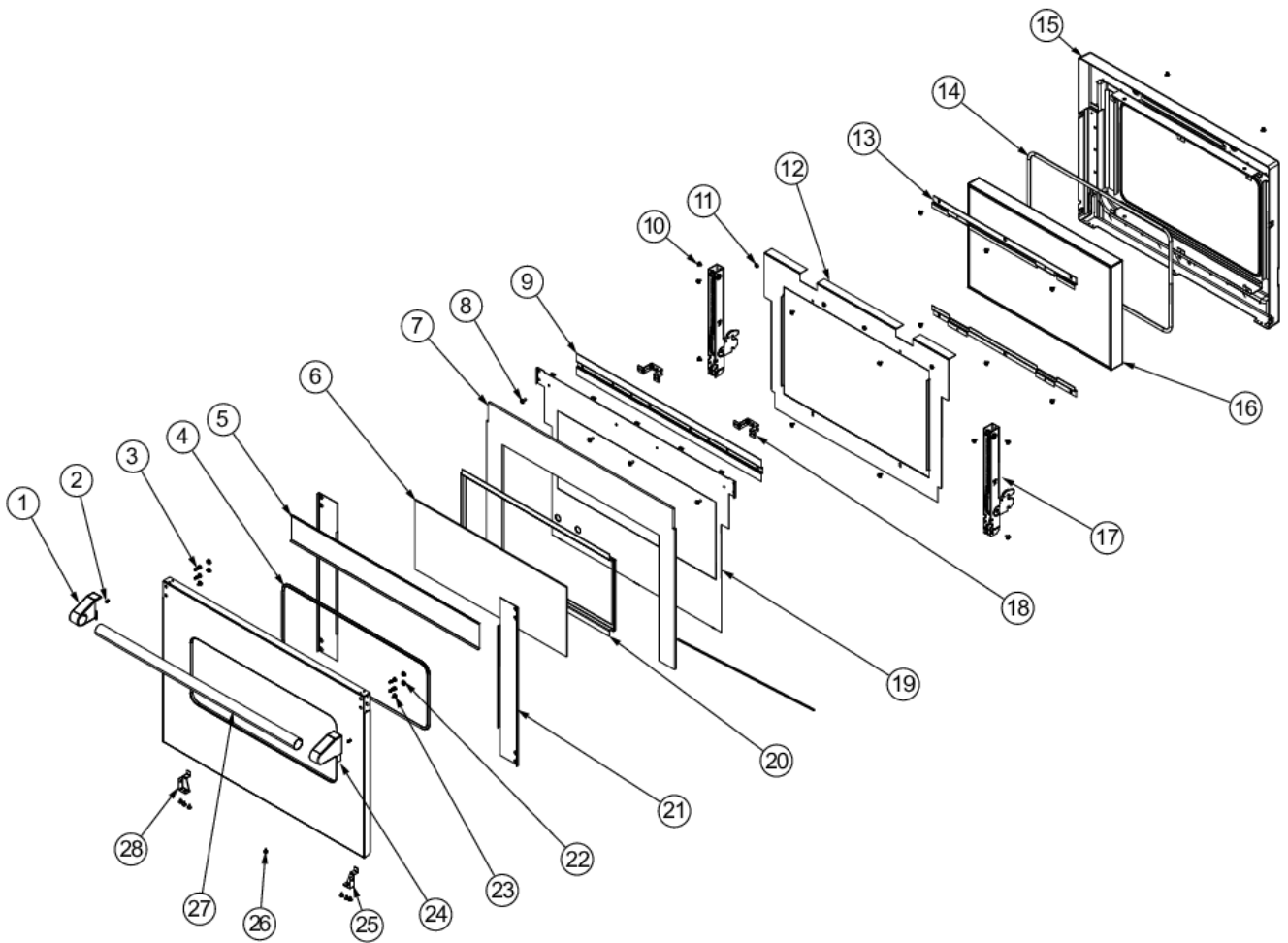


Item	Part No.	Name	Qty	Uom	NOTES
21	002726-000	DOOR SKIN SIDE BRACKET	2	EA	
22	004907-000	STEEL FINISHING PLUG, NICKEL PLTD 25/64" HOLE	4	EA	
23	PD020073	SRW #10 X 24 X 3/8 WAFER HD TYPE23	2	EA	
24	003012-000	DOOR HANDLE ENDCAP ASSY, RH (CHROME)	1	EA	
24	003012-100	DOOR HANDLE ENDCAP ASSY, RH (BRASS) - NLA	1	EA	
25	A20012640	HINGE SUPPORT RH	1	EA	
26	PD020032	SRW-8(A)X3/8"PH.WFR HD 7/16DIA*NICL	7	EA	
27	002728-000	DOOR HANDLE - SS, 1.25" 29.5	1	EA	
28	A20012641	HINGE SUPPORT LH	1	EA	
29	006787-000	INSULATION,DOOR,SIDE,SUPE RWool,.25,VDSC530	2	EA	
NI	PB070246	30" DOOR GASKET	1	EA	
NI	006804-000	DOOR SKIN ASM, 30", NO LOGO, SS	1	EA	
NI	013356-002	DOOR SKIN ASM, 30", NO LOGO, BK	1	EA	
NI	013356-003	DOOR SKIN ASM, 30", NO LOGO, BT	1	EA	
NI	013356-004	DOOR SKIN ASM, 30", NO LOGO, SG	1	EA	
NI	013356-005	DOOR SKIN ASM, 30", NO LOGO, GG	1	EA	
NI	013356-006	DOOR SKIN ASM, 30", NO LOGO, WH	1	EA	
NI	013356-008	DOOR SKIN ASM, 30", NO LOGO, BU	1	EA	
NI	013356-009	DOOR SKIN ASM, 30", NO LOGO, LE	1	EA	
NI	013356-010	DOOR SKIN ASM, 30", NO LOGO, MJ	1	EA	
NI	013356-012	DOOR SKIN ASM, 30", NO LOGO, VB	1	EA	
NI	013356-013	DOOR SKIN ASM, 30", NO LOGO, CB	1	EA	
NI	013356-015	DOOR SKIN ASM, 30", NO LOGO, PL	1	EA	

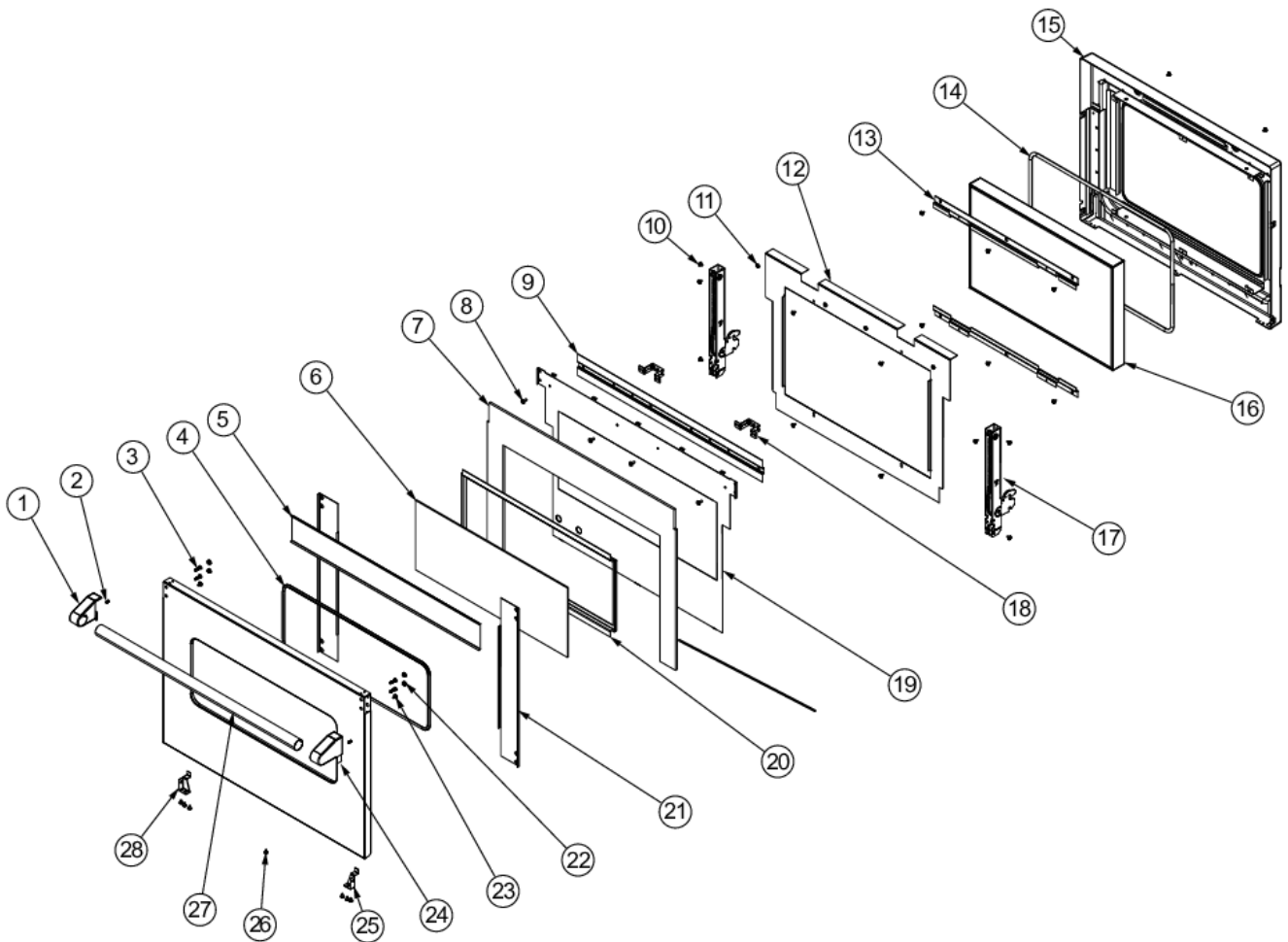




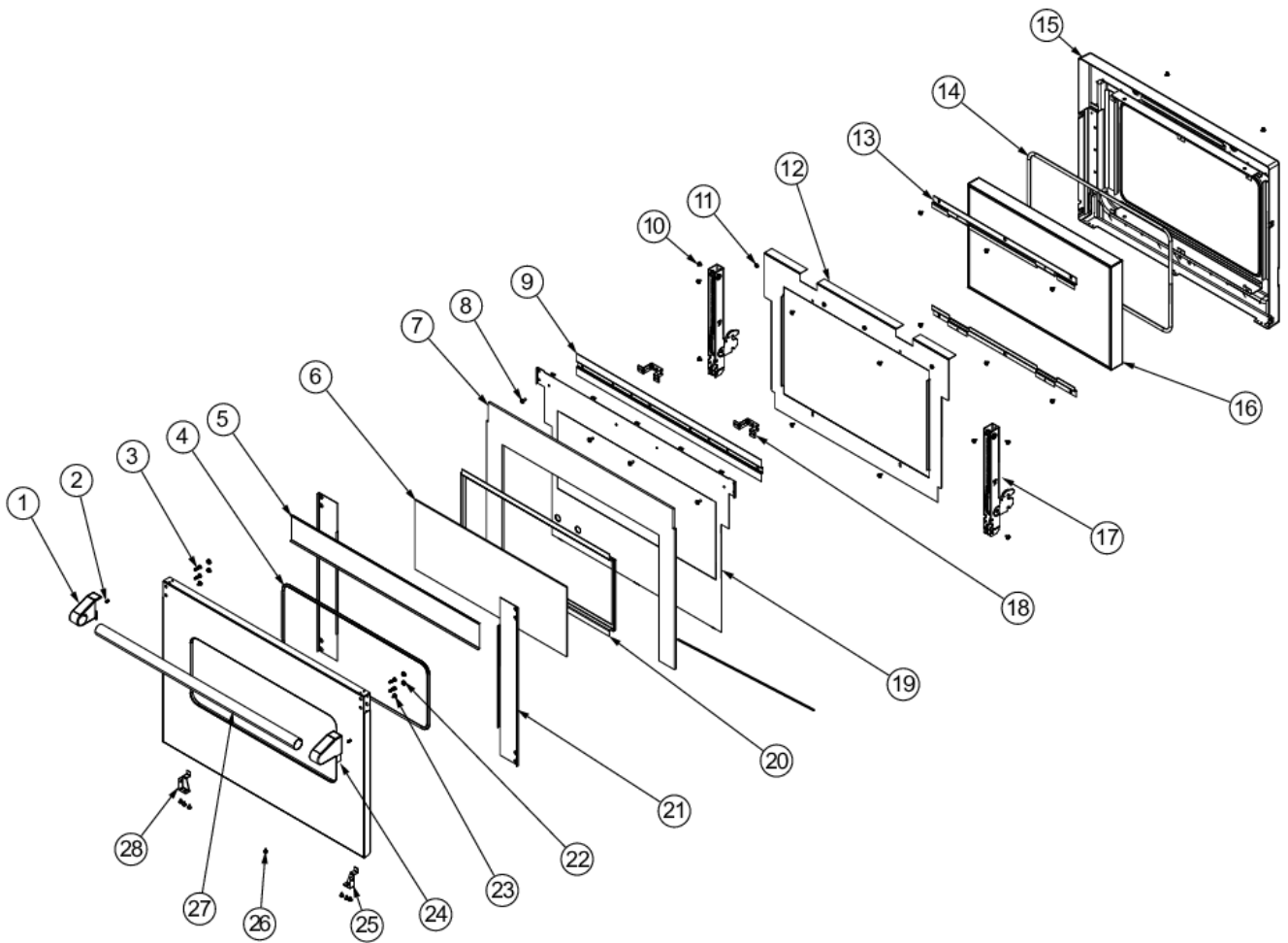
Item	Part No.	Name	Qty	Uom	NOTES
NI	013356-016	DOOR SKIN ASM, 30", NO LOGO, CH	1	EA	
NI	013356-017	DOOR SKIN ASM, 30", NO LOGO, TP	1	EA	
NI	013356-018	DOOR SKIN ASM, 30", NO LOGO, CW NLA	1	EA	
NI	013356-019	DOOR SKIN ASM, 30", NO LOGO, OG	1	EA	
NI	013356-020	DOOR SKIN ASM, 30", NO LOGO, GM	1	EA	
NI	013356-021	DOOR SKIN ASM, 30", NO LOGO, SA	1	EA	
NI	013356-022	DOOR SKIN ASM, 30", NO LOGO, SE	1	EA	
NI	013356-023	DOOR SKIN ASM, 30", NO LOGO, IB	1	EA	
NI	013356-024	DOOR SKIN ASM, 30", NO LOGO, AR	1	EA	
NI	013356-025	DOOR SKIN ASM, 30", NO LOGO, RR	1	EA	
NI	013356-026	DOOR SKIN ASM, 30", NO LOGO, PM	1	EA	
NI	013356-027	DOOR SKIN ASM, 30", NO LOGO, MS	1	EA	
NI	006804-100	DOOR SKIN ASM, 30", SS/BR, NO LOGO	1	EA	Not available online / Call for pricing and availability
NI	013356-102	DOOR SKIN ASM, 30", NO LOGO, BK/BR	1	EA	
NI	013356-103	DOOR SKIN ASM, 30", NO LOGO, BT/BR	1	EA	
NI	013356-104	DOOR SKIN ASM, 30", NO LOGO, SG/BR	1	EA	
NI	013356-105	DOOR SKIN ASM, 30", NO LOGO, GG/BR	1	EA	
NI	013356-106	DOOR SKIN ASM, 30", NO LOGO, WH/BR	1	EA	
NI	013356-108	DOOR SKIN ASM, 30", NO LOGO, BU/BR	1	EA	
NI	013356-109	DOOR SKIN ASM, 30", NO LOGO, LE/BR	1	EA	
NI	013356-110	DOOR SKIN ASM, 30", NO LOGO, MJ/BR	1	EA	



Item	Part No.	Name	Qty	Uom	NOTES
NI	013356-112	DOOR SKIN ASM, 30", NO LOGO, VB/BR	1	EA	
NI	013356-113	DOOR SKIN ASM, 30", NO LOGO, CB/BR	1	EA	
NI	013356-115	DOOR SKIN ASM, 30", NO LOGO, PL/BR	1	EA	
NI	013356-116	DOOR SKIN ASM, 30", NO LOGO, CH/BR	1	EA	
NI	013356-117	DOOR SKIN ASM, 30", NO LOGO, TP/BR	1	EA	
NI	013356-118	DOOR SKIN ASM, 30", NO LOGO, CW/BR	1	EA	
NI	013356-119	DOOR SKIN ASM, 30", NO LOGO, OG/BR	1	EA	
NI	013356-120	DOOR SKIN ASM, 30", NO LOGO, GM/BR	1	EA	
NI	013356-121	DOOR SKIN ASM, 30", NO LOGO, SA/BR	1	EA	
NI	013356-122	DOOR SKIN ASM, 30", NO LOGO, SE/BR	1	EA	
NI	013356-123	DOOR SKIN ASM, 30", NO LOGO, IB/BR	1	EA	
NI	013356-124	DOOR SKIN ASM, 30", NO LOGO, AR/BR	1	EA	
NI	013356-125	DOOR SKIN ASM, 30", NO LOGO, RR/BR	1	EA	
NI	013356-126	DOOR SKIN ASM, 30", NO LOGO, PM/BR	1	EA	
NI	013356-127	DOOR SKIN ASM, 30", NO LOGO, MS/BR	1	EA	
NI	006805-000	DOOR ASM, 30" - NO LOGO, RH, SS	1	EA	
NI	013355-002	DOOR ASM, 30", DECARB, NO LOGO, RH, BK	1	EA	
NI	013355-003	DOOR ASM, 30", DECARB, NO LOGO, RH, BT	1	EA	
NI	013355-004	DOOR ASM, 30", DECARB, NO LOGO, RH, SG	1	EA	
NI	013355-005	DOOR ASM, 30", DECARB, NO LOGO, RH, GG	1	EA	
NI	013355-006	DOOR ASM, 30", DECARB, NO LOGO, RH, WH	1	EA	Not available online / Call for pricing and availability

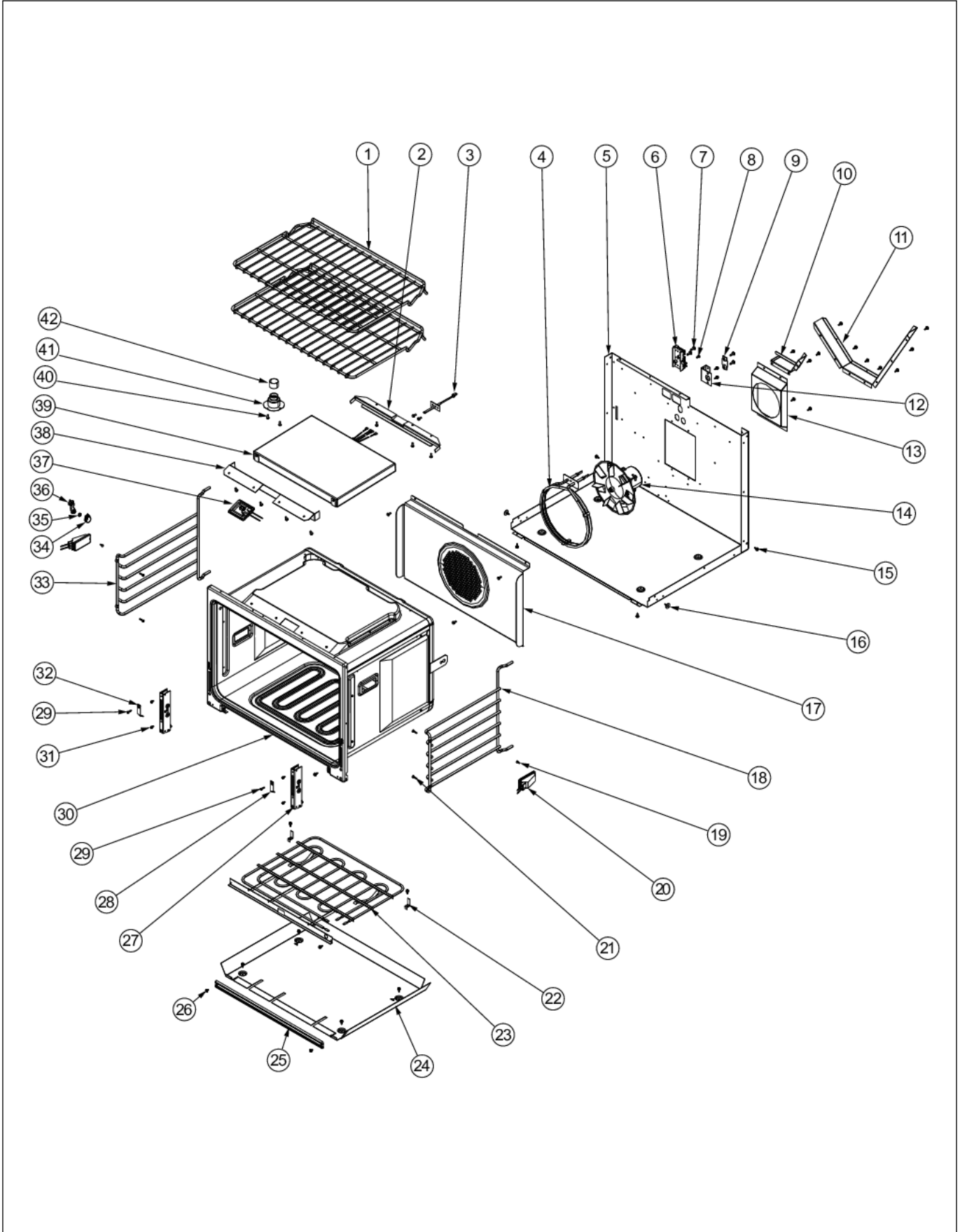


Item	Part No.	Name	Qty	Uom	NOTES
NI	013355-008	DOOR ASM, 30", DECARB, NO LOGO, RH, BU	1	EA	
NI	013355-009	DOOR ASM, 30", DECARB, NO LOGO, RH, LE	1	EA	
NI	013355-010	DOOR ASM, 30", DECARB, NO LOGO, RH, MJ	1	EA	Not available online / Call for pricing and availability
NI	013355-012	DOOR ASM, 30", DECARB, NO LOGO, RH, VB	1	EA	
NI	013355-013	DOOR ASM, 30", DECARB, NO LOGO, RH, CB	1	EA	
NI	013355-015	DOOR ASM, 30", DECARB, NO LOGO, RH, PL	1	EA	
NI	013355-016	DOOR ASM, 30", DECARB, NO LOGO, RH, CH	1	EA	
NI	013355-017	DOOR ASM, 30", DECARB, NO LOGO, RH, TP	1	EA	
NI	013355-018	DOOR ASM, 30", DECARB, NO LOGO, RH, CW NLA	1	EA	
NI	013355-019	DOOR ASM, 30", DECARB, NO LOGO, RH, OG	1	EA	
NI	013355-020	DOOR ASM, 30", DECARB, NO LOGO, RH, GM	1	EA	
NI	013355-021	DOOR ASM, 30", DECARB, NO LOGO, RH, SA	1	EA	
NI	013355-022	DOOR ASM, 30", DECARB, NO LOGO, RH, SE	1	EA	
NI	013355-023	DOOR ASM, 30", DECARB, NO LOGO, RH, IB	1	EA	
NI	013355-024	DOOR ASM, 30", DECARB, NO LOGO, RH, AR	1	EA	
NI	013355-025	DOOR ASM, 30", DECARB, NO LOGO, RH, RR	1	EA	
NI	013355-026	DOOR ASM, 30", DECARB, NO LOGO, RH, PM	1	EA	
NI	013355-027	DOOR ASM, 30", DECARB, NO LOGO, RH, MS	1	EA	
NI	006805-100	DOOR ASM, 30" - NO LOGO, RH, SS/BR	1	EA	
NI	013355-102	DOOR ASM, 30", DECARB, NO LOGO, RH, BK/BR	1	EA	
NI	013355-103	DOOR ASM, 30", DECARB, NO LOGO, RH, BT/BR	1	EA	

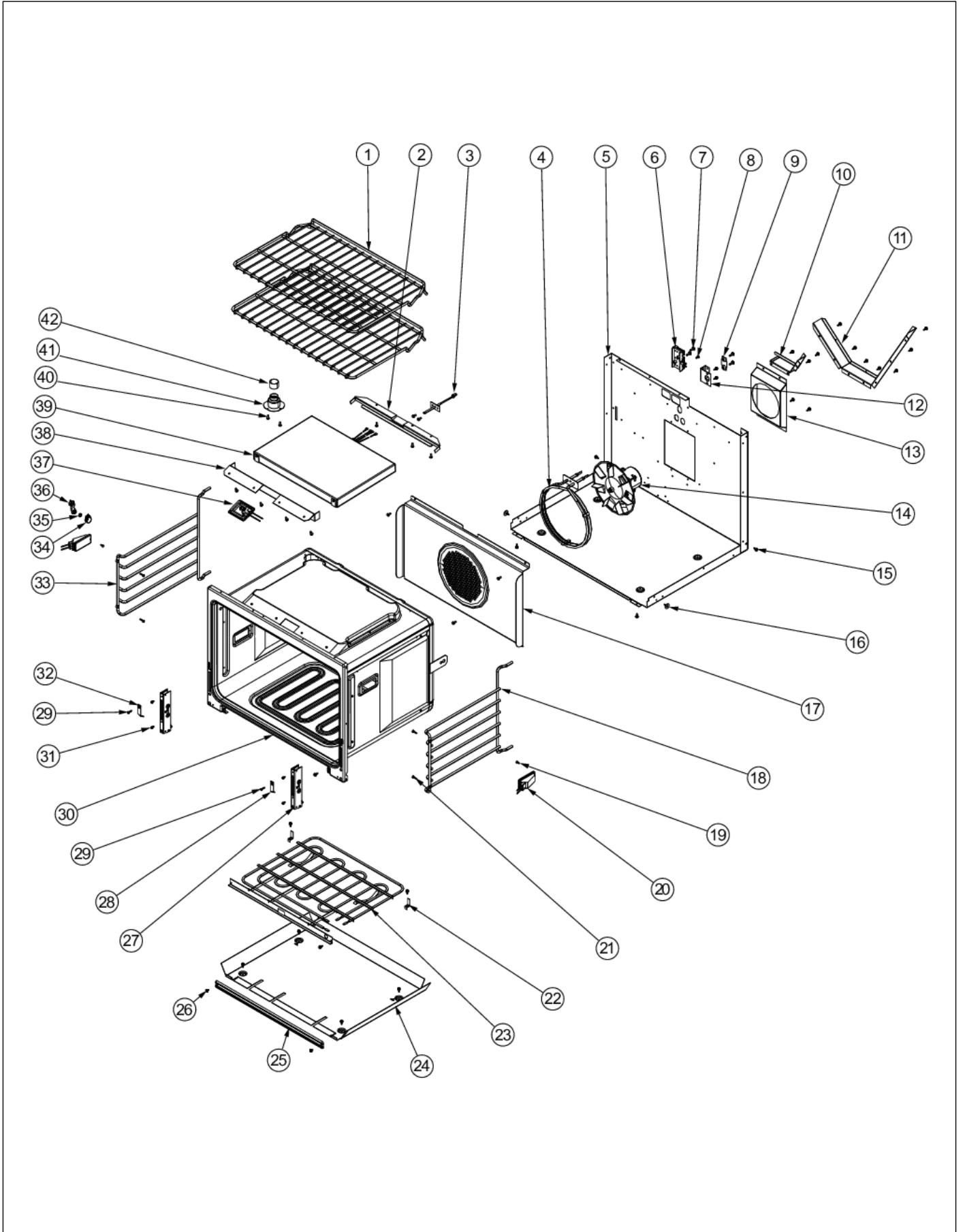


Item	Part No.	Name	Qty	Uom	NOTES
NI	013355-104	DOOR ASM, 30", DECARB, NO LOGO, RH, SG/BR	1	EA	
NI	013355-105	DOOR ASM, 30", DECARB, NO LOGO, RH, GG/R	1	EA	
NI	013355-106	DOOR ASM, 30", DECARB, NO LOGO, RH, WH/BR	1	EA	
NI	013355-108	DOOR ASM, 30", DECARB, NO LOGO, RH, BU/BR	1	EA	
NI	013355-109	DOOR ASM, 30", DECARB, NO LOGO, RH, LE/BR	1	EA	
NI	013355-110	DOOR ASM, 30", DECARB, NO LOGO, RH, MJ/BR	1	EA	
NI	013355-112	DOOR ASM, 30", DECARB, NO LOGO, RH, VB/BR	1	EA	
NI	013355-113	DOOR ASM, 30", DECARB, NO LOGO, RH, CB/BR	1	EA	
NI	013355-115	DOOR ASM, 30", DECARB, NO LOGO, RH, PL/BR	1	EA	
NI	013355-116	DOOR ASM, 30", DECARB, NO LOGO, RH, CH/BR	1	EA	
NI	013355-117	DOOR ASM, 30", DECARB, NO LOGO, RH, TP/BR	1	EA	
NI	013355-118	DOOR ASM, 30", DECARB, NO LOGO, RH, CW/BR	1	EA	
NI	013355-119	DOOR ASM, 30", DECARB, NO LOGO, RH, OG/BR	1	EA	
NI	013355-120	DOOR ASM, 30", DECARB, NO LOGO, RH, GM/BR	1	EA	
NI	013355-121	DOOR ASM, 30", DECARB, NO LOGO, RH, SA/BR	1	EA	
NI	013355-122	DOOR ASM, 30", DECARB, NO LOGO, RH, SE/BR	1	EA	
NI	013355-123	DOOR ASM, 30", DECARB, NO LOGO, RH, IB/BR	1	EA	
NI	013355-124	DOOR ASM, 30", DECARB, NO LOGO, RH, AR/BR	1	EA	
NI	013355-125	DOOR ASM, 30", DECARB, NO LOGO, RH, RR/BR	1	EA	
NI	013355-126	DOOR ASM, 30", DECARB, NO LOGO, RH, PM/BR	1	EA	
NI	013355-127	DOOR ASM, 30", DECARB, NO LOGO, RH, MS/VR	1	EA	

RH OVEN CAVITY

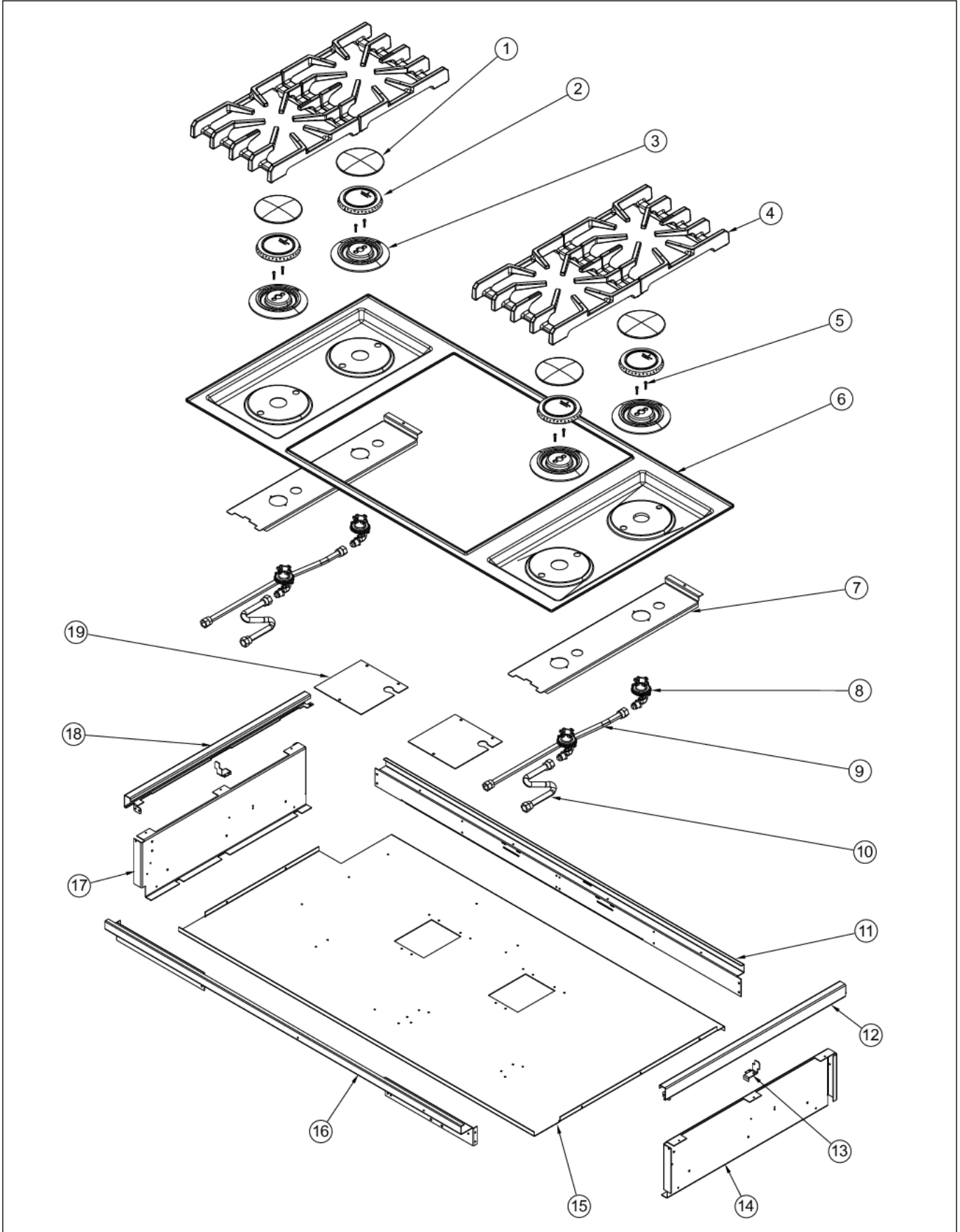


Item	Part No.	Name	Qty	Uom	NOTES
1	PB060107	30" OVEN RACK	2	EA	
2	024221-000	BRACKET, BROILER, REAR	1	EA	
3	PE050206	RTD THERMOSTAT PROBE	1	EA	
4	PJ010047	CONVECTION ELEMENT	1	EA	
5	003244-000	OVEN BOTTOM, BACK WRAP	1	EA	Not available online / Call for pricing and availability
6	PE070147	TERMINAL BLOCK (VDSC)	1	EA	
7	PD020014	10X3/4 PH TR HD SMS	4	EA	
8	PD020010	10 X 3/8 GREEN GROUNDING SCREW	1	EA	
9	A1002457	POWER CORD MOUNTING STRAP (VDSC)	1	EA	
10	003356-000	DIVERTER, AIR	1	EA	
11	002941-000	BAFFLE, FAN, REAR	1	EA	
12	A2002195	POWER CORD MOUNTING BRKT (VDSC)	1	EA	
13	A2009697	BRACKET, CONVECTION INSULATION	1	EA	
14	G32014020	CONVECTION FAN ASSY	1	EA	
15	003860-000	10-18 x .500 FASTNR,SCR,HXWH,STL,ZPLT	26	EA	
16	014143-000	SCR 10-12 A SHLD TRP 1/2 S ZN BLUE	2	EA	
17	G91013598	30" BAFFLE ASSEMBLY	1	EA	
18	066478-402	SUPPORT, RACK, RHS, PORCELAIN	1	EA	
19	PD020067	' #6 X 3/8" PAN PHIL. TEK *SS*	2	EA	
20	005311-000	LAMP, OVEN, 120V/25W	2	EA	
21	PD020232	#8 X 3/4" PH PAN HEAD TEK SCREW (BLACK OXIDE)	4	EA	
22	NON-SERVICABLE	HOLDER, BAKE ELEMENT	2	EA	
23	PJ010048	BAKE ELEMENT	1	EA	
24	A2009612	ELEMENT, MTG TRAY	1	EA	
25	E9109655	COVER, BAKE TRAY	1	EA	
26	PD020063	SCREW-#8(A) X 3/8"PH WFR HD/BK OXID	2	EA	
27	031679-000	RECEPTACLE, HINGE	2	EA	

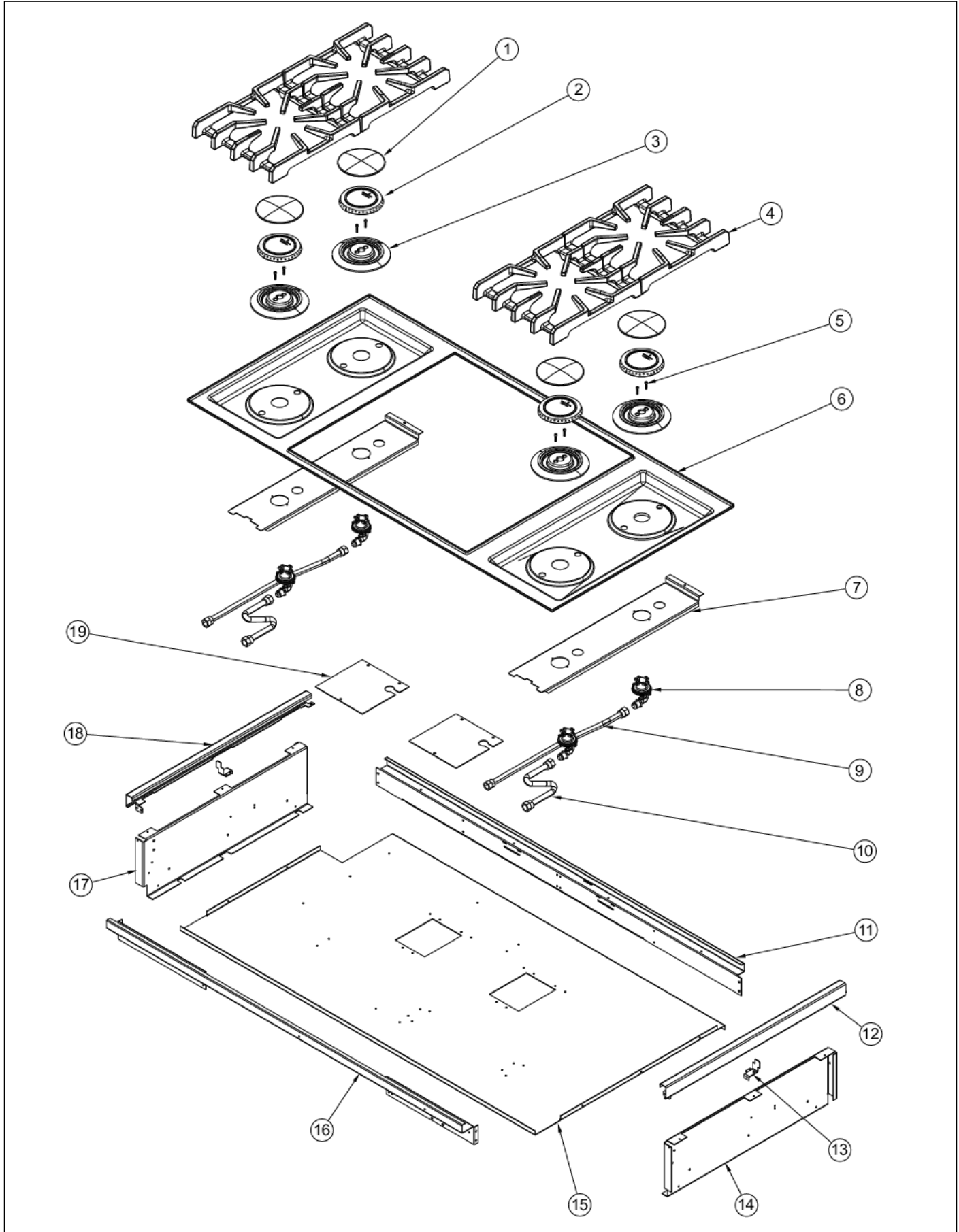


Item	Part No.	Name	Qty	Uom	NOTES
28	B21010915	HINGE CLIP - RH	1	EA	
29	PD020061	' #8 X 3/4 FLAT HD TEK. *SS*	2	EA	
30	G30014039	30" PREMIERE CAVITY ASSY	1	EA	NO LONGER AVAILABLE, Not available online / Call for pricing and availability
31	PD020062	#8-32 X 3/8 PHMS TYPE 1	4	EA	
32	B21010916	HINGE CLIP - LH	1	EA	
33	066479-402	SUPPORT, RACK, LHS, PORCELAIN	1	EA	
34	PM010160	MEAT PROBE JACK COVER (SWITCHCRAFT'S PART# 2C1098)	1	EA	
35	E91014053	PORCELAIN 25/64" HOLE PLUG	1	EA	Not available online / Call for pricing and availability
36	PE050115	MEAT PROBE JACK (SWITCHCRAFT'S PART# 3J1505)	1	EA	
<p>Comments for Part Num. PE050115</p> <p>bradleysapplianceservice@shaw.ca on May 8, 2017 Meat probe is not illustrated on Parts Break Down. PE050114 MEAT PROBE</p>					
37	020403-000	LAMP, OVEN, 120V/40W	1	EA	
38	024234-000	BRACKET, BROILER, FRONT	1	EA	
39	024040-000	ELEMENT, RIBBON	1	EA	
<p>Comments for Part Num. 024040-000</p> <p>jhobbs@kimballinc.com on Jan 4, 2019 Please Correct the part number on this (057872-000)</p>					
40	PD020048	NO.10 X 1/2 TEK 410 SS SCREW	14	EA	
41	NON-SERVICABLE	SMOKE ELIMINATOR (VDSC)	1	EA	
42	PB020275	VENT TUBE	1	EA	

SURFACE COOKING AREA



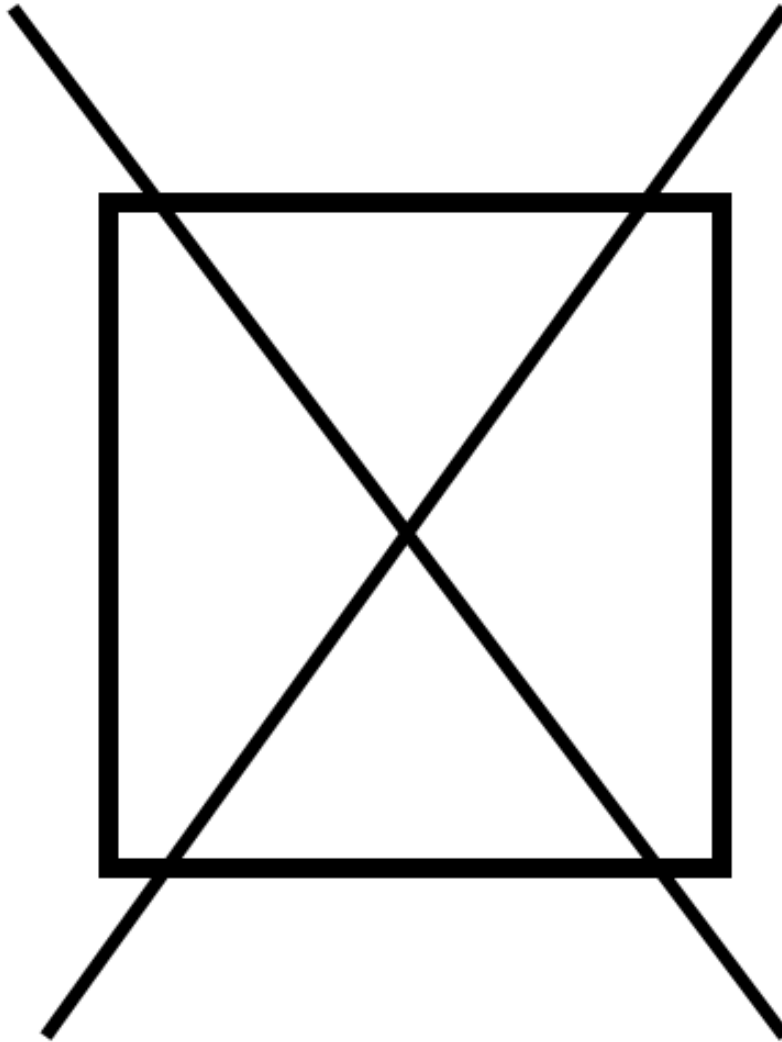
Item	Part No.	Name	Qty	Uom	NOTES
1	PA080083	D BURNER CAP *MATTE BLACK*	4	EA	
2	018200-000	ADJUSTED SEALED BURNER HEAD	4	EA	
3	003322-041	SEALED BURNER BASE, PAINTED FINISH- GRAY	4	EA	
4	007323-000	BURNER GRATE	4	EA	
Not Shown	NOTE	(BEFORE 11/21/14)		EA	
4	049420-000	GRATE, BURNER, ASM	4	EA	
Not Shown	NOTE	(ON OR AFTER 11/21/14)		EA	
NI	PD040075	RUBBER FOOT	16	EA	
Not Shown	NOTE	(BEFORE 11/21/14)		EA	
NI	049416-000	BUMPER, GRATE	16	EA	
Not Shown	NOTE	(ON OR AFTER 11/21/14)		EA	
5	009197-000	#6-32 X 5/8 18-8 SS NC SOC CAP	8	EA	
6	E2109804	48" SEALED TOP	1	EA	Not available online / Call for pricing and availability
7	002923-000	BURNER MODULE SUPPORT	2	EA	
8	001394-042	15000 BTU NAT JETHOLDER	4	EA	
8	001394-046	12.5 K BTU LP JETHOLDER	4	EA	
9	PB020193	16" FLEX TUBING W/CONNECTORS	2	EA	
10	PB020192	10" FLEX TUBING W/CONNECTORS	2	EA	
11	008464-000	BRNR BOX,REAR,FLAT,SUPPORT,VD SC5484GQ 48"	1	EA	
12	002920-000	TOP TRIM RING, RH	1	EA	
13	004021-000	SUPPORT,TRIM,SIDE	2	EA	
14	002755-000	BURNER BOX SIDE, RH	1	EA	
15	006240-000	BURNER BOX BOTTOM,FLAT,VDSC548	1	EA	
16	025758-000	SUPPORT, FRONT	1	EA	
17	003481-000	BURNER BOX SIDE, LH	1	EA	





Item	Part No.	Name	Qty	Uom	NOTES
18	003649-000	TOP TRIM RING, LH	1	EA	
19	008904-000	BURNER BOX, DSI COVER	2	EA	

NON ILLUSTRATED PART



Item	Part No.	Name	Qty	Uom	NOTES
NI	000647-000	IRIS IGNITOR WIRE, FRONT BURNER	2	EA	
NI	006766-000	IRIS IGNITOR WIRE, BACK BURNER	3	EA	
NI	015357-000	IGNITOR, W/WIRE	2	EA	
NI	PE070892	IRIS HARNESS - 60"	1	EA	
NI	PE070739	BAKE ELEMENT HARNESS	1	EA	
NI	013406-000	HARNESS, BAKE, ELEMENT, VDSC18"	1	EA	
NI	020018-000	HARNESS, WIRING - LH OVEN	1	EA	
NI	004132-000	OVEN HARNESS - NLA	1	EA	
Not Shown	NOTE	(BEFORE 06/14/10)		EA	
NI	021182-000	MAIN OVEN HARNESS - NLA	1	EA	
Comments for Part Num. 021182-000 bradleysapplianceservice@shaw.ca on Apr 27, 2016 SUBS TO: 024871-000 MAIN OVEN HARNESS					
Not Shown	NOTE	(06/14/10 THRU 12/6/10)		EA	
NI	024871-000	MAIN HARNESS	1	EA	
Not Shown	NOTE	(ON OR AFTER 12/6/10)		EA	
NI	004295-000	HARNESS,POWER,IRIS,45" LONG	1	EA	
NI	027583-000	WIRE HARNESS, GRIDDLE, 24" DF	1	EA	Not available online / Call for pricing and availability
NI	021319-000	*SEE 027543-000* HARNESS, ADPT, LED, 125V TO 2V	2	EA	
NI	047835-000	HARNESS, TSTAT 24" GRIDDLE	1	EA	
NI	013406-000	HARNESS, BAKE, ELEMENT, VDSC18"	1	EA	
NI	024869-000	RIBBON CABLE, RH	1	EA	
NI	024870-000	RIBBON CABLE, LH	1	EA	



Appendix A:Pages Index

CONTROL AREA 1
GRIDDLE ASSEMBLY 2
LH DOOR ASSEMBLY 3
LH OVEN CAVITY 4
LOWER UNIT AND SIDE PANEL 5
OVEN ELECTRONICS 6
REAR SHEET METAL 7
RH DOOR ASSEMBLY 8
RH OVEN CAVITY 9
SURFACE COOKING AREA 10
WIRING 11



Appendix B:Parts Index

000594-000	3, 8	004132-000	11
000647-000	11	004152-000	8
001394-042	10	004153-000	8
001394-046	10	004285-000	6
002406-000	5	004295-000	11
002513-000	2	004907-000	3, 8
002709-000	3	005269-000	1
002709-402	3	005270-000	1
002724-000	8	005271-000	1
002726-000	8	005300-000	3
002728-000	8	005311-000	9
002730-000	8	005458-000	4
002732-000	8	005503-002	5
002740-000	8	005503-005	5
002754-000	6	005503-006	5
002755-000	10	005503-008	5
002920-000	10	005503-013	5
002923-000	10	005503-024	5
002941-000	9	006157-000	5
003011-000	3, 8	006158-000	5
003011-100	3, 8	006160-000	4
003012-000	3, 8	006163-000	4
003012-100	3, 8	006166-000	4
003244-000	9	006176-000	4
003272-000	7	006195-000	6
003322-041	10	006203-000	4
003333-000	6	006207-000	3
003356-000	9	006209-000	3
003481-000	10	006213-000	3
003490-000	4	006214-000	3
003644-000	5	006218-000	3
003649-000	10	006219-000	3
003681-000	7	006220-000	3
003719-000	1	006221-000	3
003801-000	5	006222-000	3
003802-000	5	006224-000	3
003860-000	4, 5, 6, 7, 9	006226-000	3
004016-000	6	006226-100	3
004021-000	10	006227-000	3
004110-000	6	006227-100	3
		006240-000	10



006300-000	5	010956-000	5
006313-000	1	011178-000	3
006379-000	4	011717-000	1
006380-000	4	013213-000	1
006400-000	7	013250-000	6
006570-000	1	013355-002	8
006572-000	1	013355-003	8
006748-000	4	013355-004	8
006749-000	5	013355-005	8
006750-000	5	013355-006	8
006766-000	11	013355-008	8
006785-000	2	013355-009	8
006787-000	8	013355-010	8
006788-000	8	013355-012	8
006804-000	8	013355-013	8
006804-100	8	013355-015	8
006805-000	8	013355-016	8
006805-100	8	013355-017	8
006807-000	3	013355-018	8
006808-000	3	013355-019	8
006997-000	3	013355-020	8
007147-000	1	013355-021	8
007188-000	7	013355-022	8
007248-000	4, 4	013355-023	8
007323-000	10	013355-024	8
007419-000	6	013355-025	8
007420-000	6	013355-026	8
007441-000	4, 7	013355-027	8
007488-000	5	013355-102	8
007504-000	7	013355-103	8
007793-000	6	013355-104	8
007794-000	6	013355-105	8
007992-000	5	013355-106	8
008276-000	3	013355-108	8
008464-000	10	013355-109	8
008904-000	10	013355-110	8
009112-000	2	013355-112	8
009197-000	10	013355-113	8
009426-000	3	013355-115	8
009427-000	3	013355-116	8
009428-000	3	013355-117	8



013355-118	8	013356-112	8
013355-119	8	013356-113	8
013355-120	8	013356-115	8
013355-121	8	013356-116	8
013355-122	8	013356-117	8
013355-123	8	013356-118	8
013355-124	8	013356-119	8
013355-125	8	013356-120	8
013355-126	8	013356-121	8
013355-127	8	013356-122	8
013356-002	8	013356-123	8
013356-003	8	013356-124	8
013356-004	8	013356-125	8
013356-005	8	013356-126	8
013356-006	8	013356-127	8
013356-008	8	013357-002	3
013356-009	8	013357-003	3
013356-010	8	013357-004	3
013356-012	8	013357-005	3
013356-013	8	013357-006	3
013356-015	8	013357-008	3
013356-016	8	013357-009	3
013356-017	8	013357-010	3
013356-018	8	013357-012	3
013356-019	8	013357-013	3
013356-020	8	013357-015	3
013356-021	8	013357-016	3
013356-022	8	013357-017	3
013356-023	8	013357-018	3
013356-024	8	013357-019	3
013356-025	8	013357-020	3
013356-026	8	013357-021	3
013356-027	8	013357-022	3
013356-102	8	013357-023	3
013356-103	8	013357-024	3
013356-104	8	013357-025	3
013356-105	8	013357-026	3
013356-106	8	013357-027	3
013356-108	8	013357-102	3
013356-109	8	013357-103	3
013356-110	8	013357-104	3



013357-105	3	013358-026	3
013357-106	3	013358-027	3
013357-108	3	013358-102	3
013357-109	3	013358-103	3
013357-110	3	013358-104	3
013357-112	3	013358-105	3
013357-113	3	013358-106	3
013357-115	3	013358-108	3
013357-116	3	013358-109	3
013357-117	3	013358-110	3
013357-118	3	013358-112	3
013357-119	3	013358-113	3
013357-120	3	013358-115	3
013357-121	3	013358-116	3
013357-122	3	013358-117	3
013357-123	3	013358-118	3
013357-124	3	013358-119	3
013357-125	3	013358-120	3
013357-126	3	013358-121	3
013357-127	3	013358-122	3
013358-002	3	013358-123	3
013358-003	3	013358-124	3
013358-004	3	013358-125	3
013358-005	3	013358-126	3
013358-006	3	013358-127	3
013358-008	3	013365-002	5
013358-009	3	013365-005	5
013358-010	3	013365-006	5
013358-012	3	013365-008	5
013358-013	3	013365-013	5
013358-015	3	013365-024	5
013358-016	3	013386-000	1
013358-017	3	013406-000	11, 11
013358-018	3	013550-000	4
013358-019	3	013787-000	5
013358-020	3	013888-000	2
013358-021	3	013889-000	2
013358-022	3	014137-000	5
013358-023	3	014143-000	4, 9
013358-024	3	015096-000	5
013358-025	3	015357-000	11



015412-000	8	036047-000	5
015412-402	8	038417-000	5
016293-000	2	038433-000	5
016295-000	2	038434-002	5
018200-000	10	038434-005	5
018607-000	6	038434-006	5
018608-000	6	038434-008	5
020018-000	11	038434-013	5
020403-000	4, 9	038434-024	5
020437-000	3	039293-000	6
021182-000	11	040248-000	2
021319-000	11	041509-000	7
021336-000	1	042223-2303	1
023023-000	5	044178-000	5
023024-000	5	046142-556	5
023116-000	4	047835-000	11
023825-000	5	049416-000	10
024040-000	9	049420-000	10
024221-000	9	050172-000	1
024234-000	9	051834-000	5
024869-000	11	066478-402	4, 9
024870-000	11	066479-402	4, 9
024871-000	11	A1002457	9
025750-000	2	A20010101	7
025758-000	10	A20010102	7
026036-000	2	A20012640	8
026037-000	1	A20012641	8
026070-000	1	A20012649	6
026113-000	2	A2002195	9
026114-000	2	A2002454	7
027489-000	2	A2002654	7
027583-000	11	A2009612	9
030823-000	3, 8	A2009641	5
031679-000	4, 9	A2009659	6
034927-000	7	A2009697	4, 9
034928-000	7	A21014003	3, 8
035881-000	1	B21010915	9
035883-000	1	B21010916	9
035893-000	1	E2109804	10
035895-000	1	E91014053	4, 9
035898-000	1	E9109655	9



G30014039	9	PD040075	10
G32014020	9	PD040152	5, 6
G4000936	6	PD040164	5
G91013598	9	PE010030	3
L20014077	8	PE010068	3
M0275166	5	PE050115	9
PA020028	2	PE050206	2, 4, 9
PA020058	1	PE050208	6
PA070003	1	PE050227	4
PA080083	10	PE050250	6
PB020126	2	PE060090	8
PB020192	10	PE060094	8
PB020193	10	PE060105	8
PB020275	4, 9	PE070147	4, 9
PB040049	2	PE070739	11
PB040050	2	PE070892	11
PB040051	2	PJ010047	4, 9
PB040190	2	PJ010048	9
PB060107	9	PJ030033	1
PB070079	6	PJ030035	1
PB070246	8	PM010014	4
PD010012	1	PM010160	9
PD010028	1, 4		
PD020010	4, 9		
PD020014	4, 9		
PD020032	3, 5, 8		
PD020033	3, 8		
PD020043	5		
PD020048	4, 9		
PD020055	4, 7		
PD020061	9		
PD020062	4, 9		
PD020063	3, 4, 8, 9		
PD020067	9		
PD020073	8		
PD020232	4, 9		
PD030006	3		
PD030010	3, 8		
PD030149	4		
PD030172	5		
PD040005	4, 7		