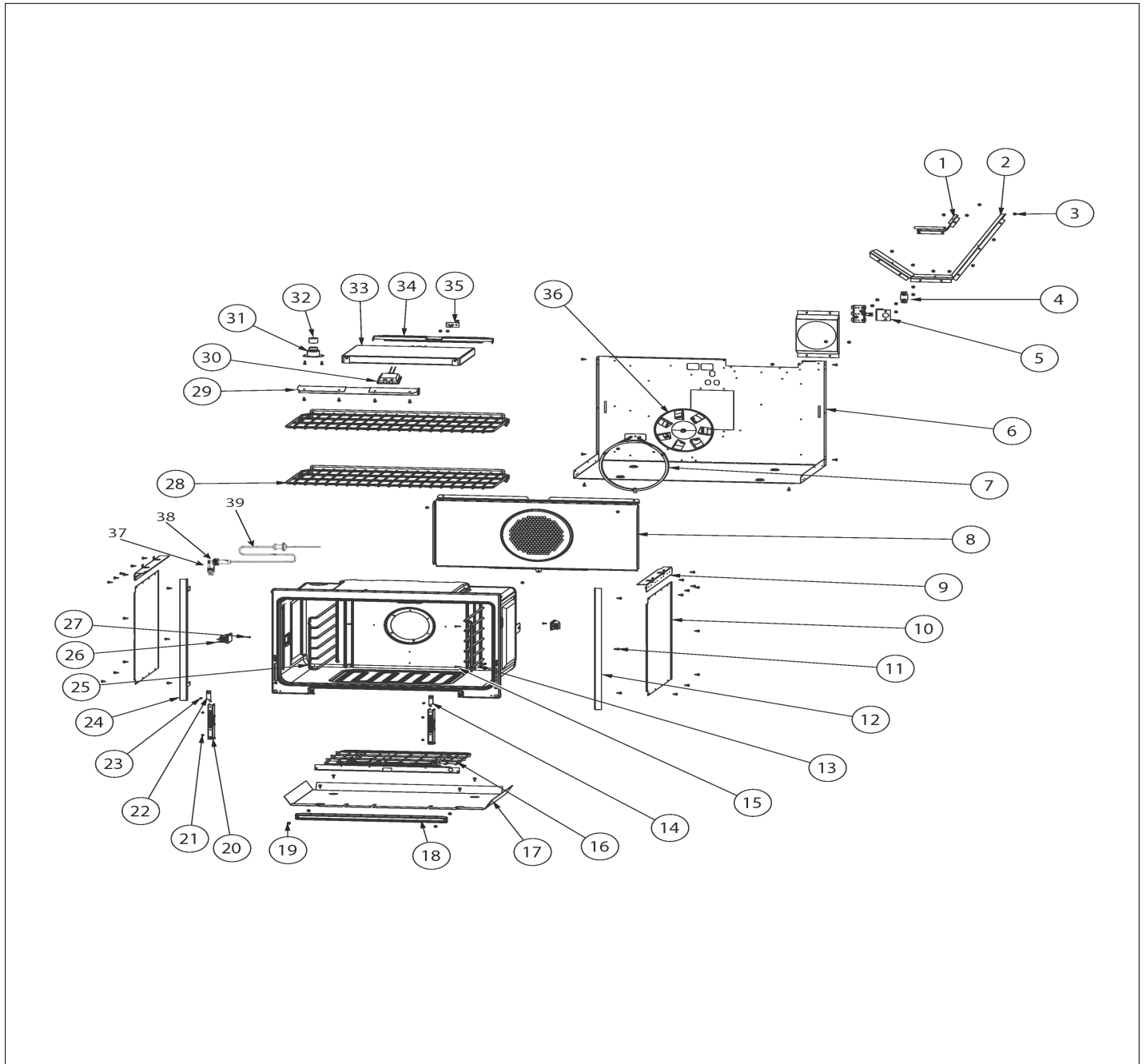


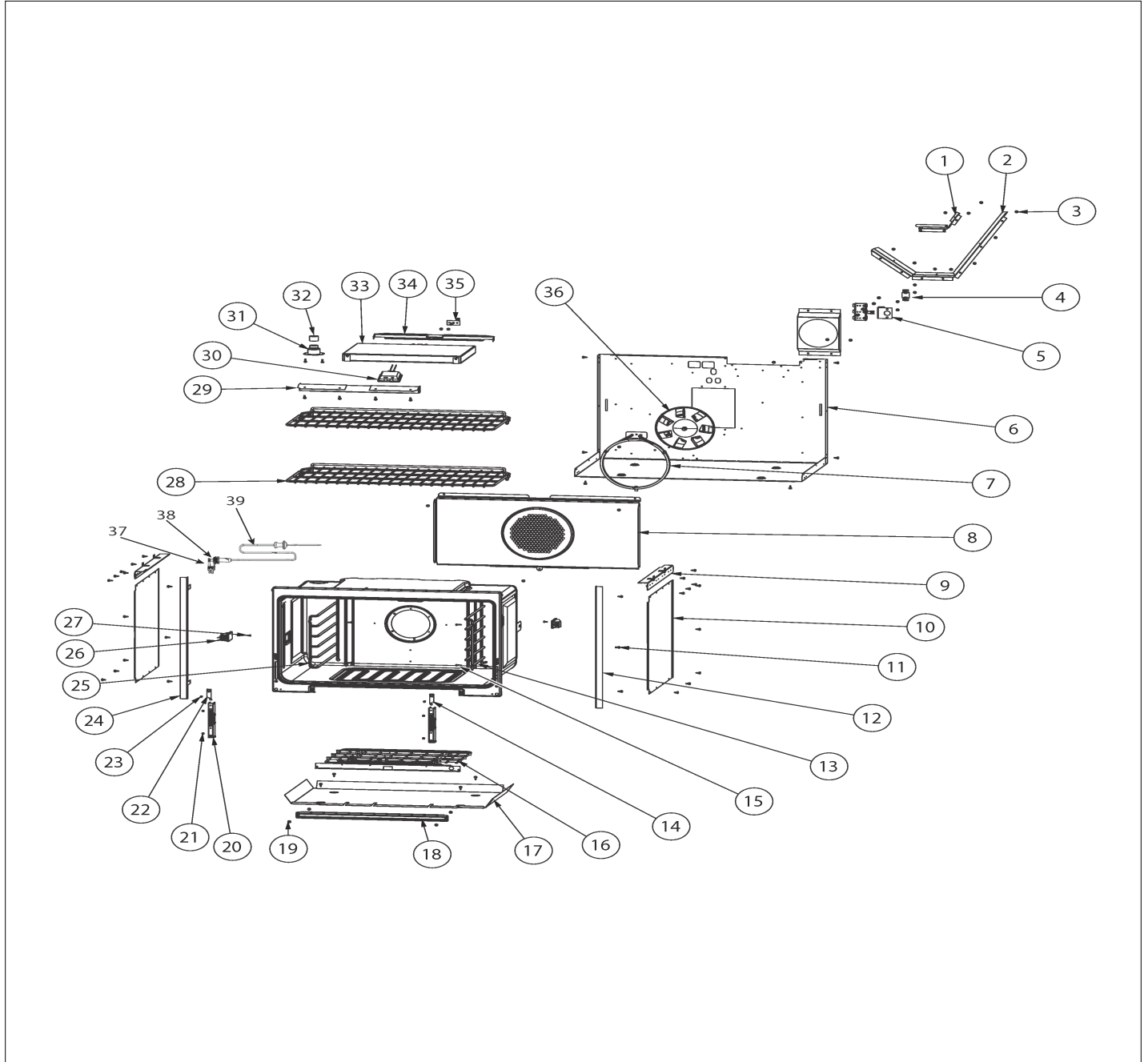
VDSC536T-4Q

CAVITY INTERIOR	1
CONTROL AREA	2
DOOR ASSEMBLY	3
LOWER UNIT _ SIDE PANEL	4
OVEN ELECTRONICS	5
REAR SHEET METAL	6
SURFACE COOKING AREA	7
WIRING	8
Appendix A:Pages Index	A
Appendix B:Parts Index	B

CAVITY INTERIOR



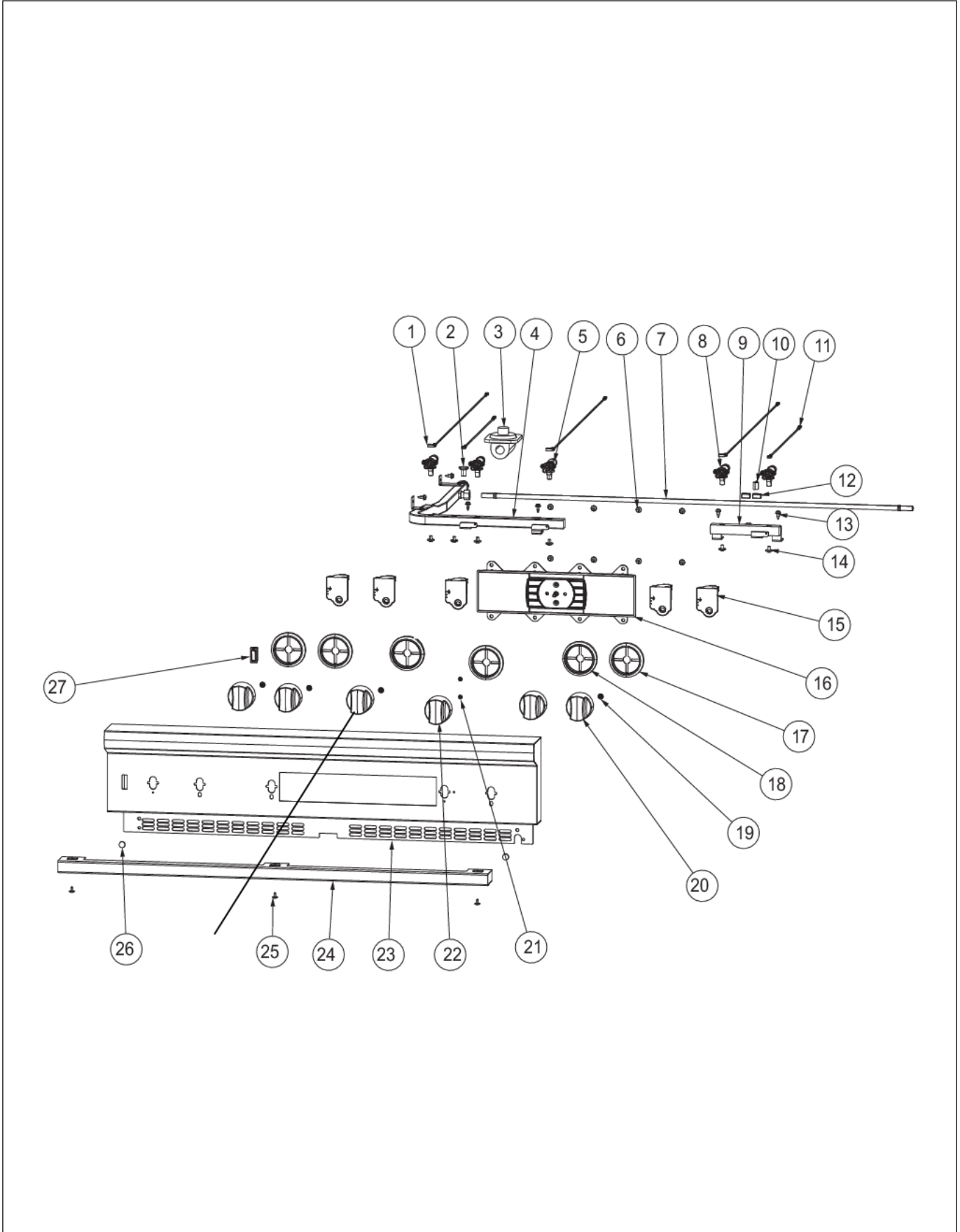
Item	Part No.	Name	Qty	Uom	NOTES
1	003356-000	DIVERTER, AIR	1	EA	
2	002941-000	BAFFLE, FAN, REAR	1	EA	
3	003860-000	10-18 x .500 FASTNR,SCR,HXWH,STL,ZPLT	51	EA	
4	A1002457	POWER CORD MOUNTING STRAP (VDSC)	1	EA	
5	A2002195	POWER CORD MOUNTING BRKT (VDSC)	1	EA	
6	004542-000	OVEN BOTTOM BACK WRAP, 36"	1	EA	
7	PJ010047	CONVECTION ELEMENT	1	EA	
8	006177-000	BAFFLE, CNVN, ASM, VDSC 36"	1	EA	
9	A2009641	BRKT, TOP WRAPPER	1	EA	
10	014137-000	WRAPPER, OVEN SIDE	2	EA	
11	PD020048	NO.10 X 1/2 TEK 410 SS SCREW	13	EA	
12	004606-000	OVEN, TRIM, FR, SIDE, RH, 36"	1	EA	
13	066478-402	SUPPORT, RACK, RHS, PORCELAIN	1	EA	
14	B21010915	HINGE CLIP - RH	1	EA	
15	PD020232	#8 X 3/4" PH PAN HEAD TEK SCREW (BLACK OXIDE)	4	EA	
16	PJ010048	BAKE ELEMENT	1	EA	
17	004541-000	ELEMENT, MTG TRAY 36"	1	EA	
18	E9109655	COVER, BAKE TRAY	1	EA	
19	PD020063	SCREW-#8(A) X 3/8"PH WFR HD/BK OXID	2	EA	
20	031679-000	RECEPTACLE, HINGE	2	EA	
21	PD020062	#8-32 X 3/8 PHMS TYPE 1	4	EA	
22	B21010916	HINGE CLIP - LH	1	EA	
23	PD020061	' #8 X 3/4 FLAT HD TEK. *SS*	2	EA	
24	004607-000	OVEN, TRIM, FR, SIDE, LH, 36"	1	EA	
25	066479-402	SUPPORT, RACK, LHS, PORCELAIN	1	EA	
26	005311-000	LAMP, OVEN, 120V/25W	2	EA	
27	PD020067	' #6 X 3/8" PAN PHIL. TEK *SS*	2	EA	
28	041047-000	RACK, DF, PRO, 36"	2	EA	





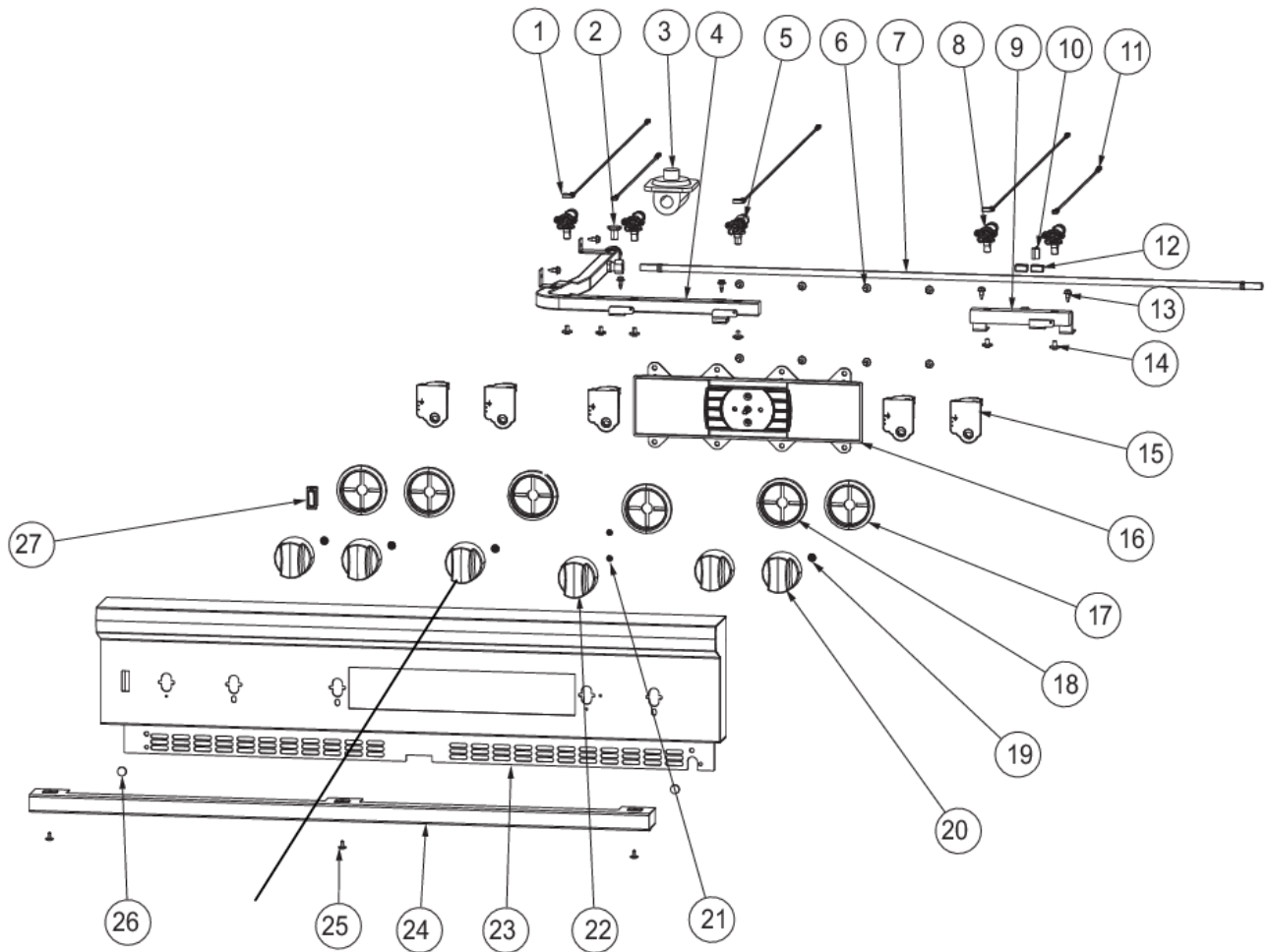
Item	Part No.	Name	Qty	Uom	NOTES
29	024234-000	BRACKET, BROILER, FRONT	1	EA	
30	020403-000	LAMP, OVEN, 120V/40W	1	EA	
31	PM010014	SMOKE ELIMINATOR (VDSC)	1	EA	
32	PB020275	VENT TUBE	1	EA	
33	024040-000	ELEMENT, RIBBON	1	EA	
<p>Comments for Part Num. 024040-000</p> <p>jhobbs@kimballinc.com on Jan 4, 2019 Please Correct the part number on this (057872-000)</p>					
34	024221-000	BRACKET, BROILER, REAR	1	EA	
35	PE050206	RTD THERMOSTAT PROBE	1	EA	
36	G32014020	CONVECTION FAN ASSY	1	EA	
37	PE050115	MEAT PROBE JACK (SWITCHCRAFT'S PART# 3J1505)	1	EA	
<p>Comments for Part Num. PE050115</p> <p>bradleysapplianceservice@shaw.ca on May 8, 2017 Meat probe is not illustrated on Parts Break Down. PE050114 MEAT PROBE</p>					
38	PM010160	MEAT PROBE JACK COVER (SWITCHCRAFT'S PART# 2C1098)	1	EA	
39	PE050114	MEAT PROBE (DESO/DED0) (SWITCHCRAFT'S PART # 4C7919)	1	EA	

CONTROL AREA





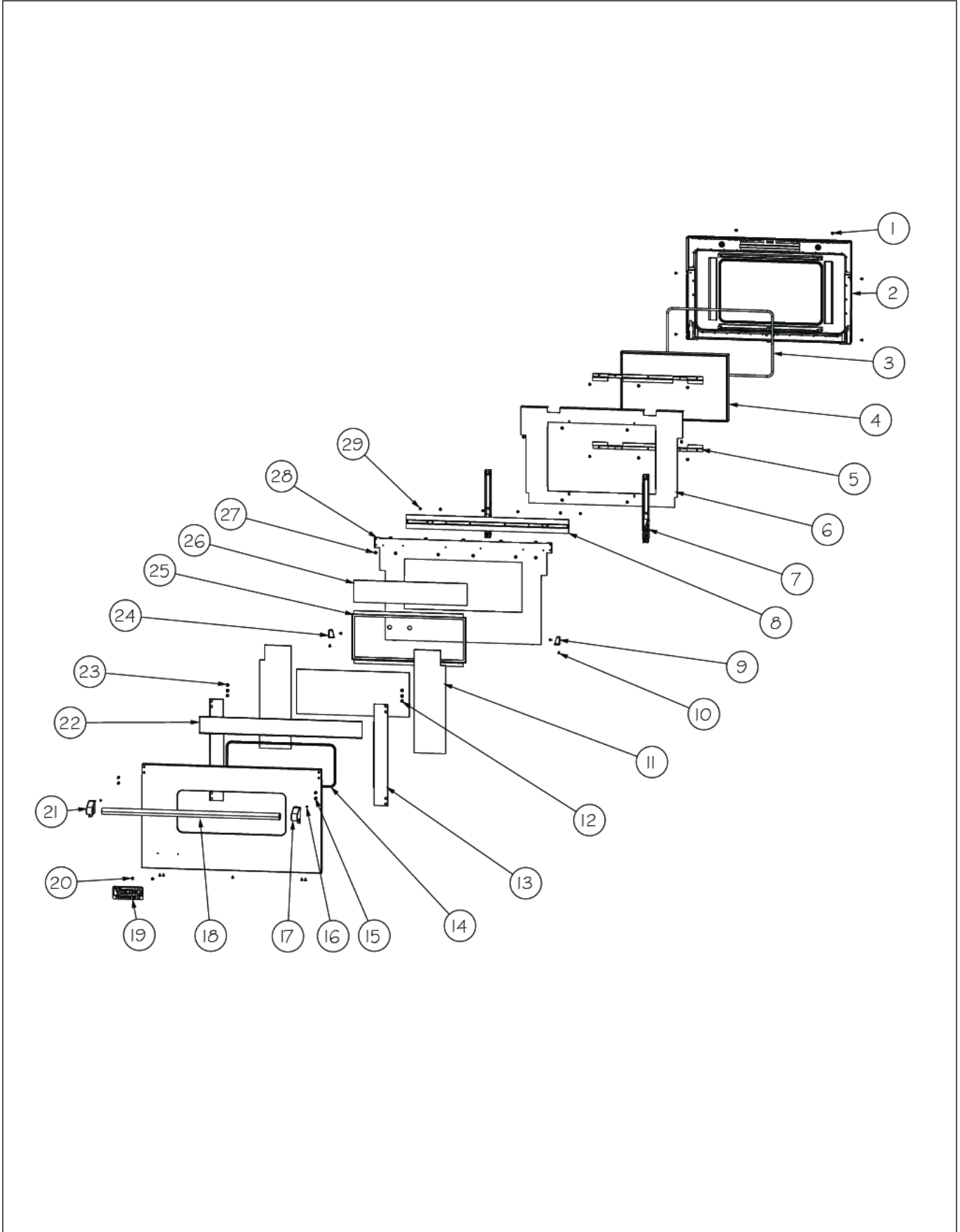
Item	Part No.	Name	Qty	Uom	NOTES
1	006766-000	IRIS IGNITOR WIRE, BACK BURNER	1	EA	
2	002884-000	MANIFOLD PLUG	1	EA	
3	PA070003	PRESSURE REGULATOR (NAT.)	1	EA	
3	013386-000	LP PRESSURE REGULATOR	1	EA	
4	019448-000	MANIFOLD, GAS, ASM, LH	1	EA	
4	020628-000	MANIFOLD ASM, VLV, LH, LP	1	EA	
5	013583-000	VALVE, GRL, ASM, BRS, ISPHORDING	1	EA	
6	PD010003	10-24 X 1/2 PH.TR.HD.SERD.M.S.	8	EA	
7	PB020112	3/8 SS FLEX TUBING - 36" T6-36	1	EA	
8	006313-000	VALVE, BRS, SEALED TOP	4	EA	
9	013997-000	GAS MANIFOLD RH, VDSC530T	1	EA	
10	PE070889	IRIS HARNESS (24"/30")	1	EA	
11	000647-000	IRIS IGNITOR WIRE, FRONT BURNER	1	EA	
12	001134-000	IRIS HARNESS INSULATED CAP	2	EA	
13	003860-000	10-18 x .500 FASTNR,SCR,HXWH,STL,ZPLT	5	EA	
14	PD010012	VALVE BOLT 1/4-20 UNC-2B 5/16" M.S.	6	EA	
15	PA020058	IRIS SINGLE SPARK MODULE	5	EA	
16	013995-000	VDSC ELECTRONIC CONTROLS MODULE (See TC-0075-SP Parts Bulletin before ordering)	1	EA	
<p>Comments for Part Num. 013995-000</p> <p>gboltz@VikingRange.com on Jul 7, 2017 SEE TC-0075-SP Bulletin before ordering</p>					
17	050172-000	BEZEL, KNOB	4	EA	
17	PB010305PVD	KNOB BEZEL, BRASS	5	EA	Not available online / Call for pricing and availability
18	010348-000	KNOB BEZEL,VDSC, ELECTRONIC CONTROLS, SS	2	EA	





Item	Part No.	Name	Qty	Uom	NOTES
18	010348-100	KNOB BEZEL, VDSC, ELEC CONTROLS (BR)	2	EA	
19	PD020046	#8 X 1/2 SCREWS	4	EA	
20	005269-000	RANGE TOP BURNER KNOB-BRUSHED, SSS	4	EA	
Not Shown	NOTE	(BEFORE 12/20/12)		EA	
20	035881-000	KNOB, BNR, TOP PRO CR3	4	EA	
Not Shown	NOTE	(ON OR AFTER 12/20/12)		EA	
21	PD020062	#8-32 X 3/8 PHMS TYPE 1	2	EA	
22	013950-000	OVEN KNOB, VDSC ELECTRONIC CONTROLS	1	EA	
Not Shown	NOTE	(BEFORE 12/20/12)		EA	
22	035900-000	KNOB, OVEN PRO VDSC CR3	1	EA	
Not Shown	NOTE	(ON OR AFTER 12/20/12)		EA	
23	017336-000	CONTROL PANEL ASM, VDSC536T-4Q	1	EA	
24	011637-000	TRIM, ASM	1	EA	
25	PD020032	SRW-8(A)X3/8"PH.WFR HD 7/16DIA*NICL	3	EA	
26	PD040004	GROMMET BUMPER	2	EA	
27	003719-000	OVEN LIGHT SWITCH, BLACK	1	EA	
28	006574-000	KNOB, GRL, ASM, PVD, #3, SSS	1	EA	
Not Shown	NOTE	(BEFORE 12/20/12)		EA	
28	035885-000	KNOB, GRL, PRO CR3	1	EA	
Not Shown	NOTE	(ON OR AFTER 12/20/12)		EA	

DOOR ASSEMBLY





Item	Part No.	Name	Qty	Uom	NOTES
1	PD020063	SCREW-#8(A) X 3/8"PH WFR HD/BK OXID	20	EA	
2	002713-000	LINER, DOOR, WLD, ASSY 36"	1	EA	
Not Shown	NOTE	(BEFORE 12/20/12)		EA	
2	002713-402	LINER, DOOR, WLD, ASSY 36" BK	1	EA	
Not Shown	NOTE	(ON OR AFTER 12/20/12)		EA	
3	000594-000	BLACK FIBERGLASS ROPE 3/8	1	EA	
4	PE060094	30 WINDOW PACK	1	EA	
5	004153-000	DOOR GLASS HOLDER BRACKET	2	EA	
6	006076-000	DOOR LINER INSULATION RETAINER, 36"	1	EA	
NI	024492-000	INSULATION, DOOR LINER, 36"	1	EA	
7	013290-000	HINGE, DOOR, VGCC36" - PINK SPRING	2	EA	

Comments for Part Num. 013290-000

CAREYSAPPLIANCE@HOTMAIL.COM on Feb 15, 2018

in door view hinges are showing 2 different hinges

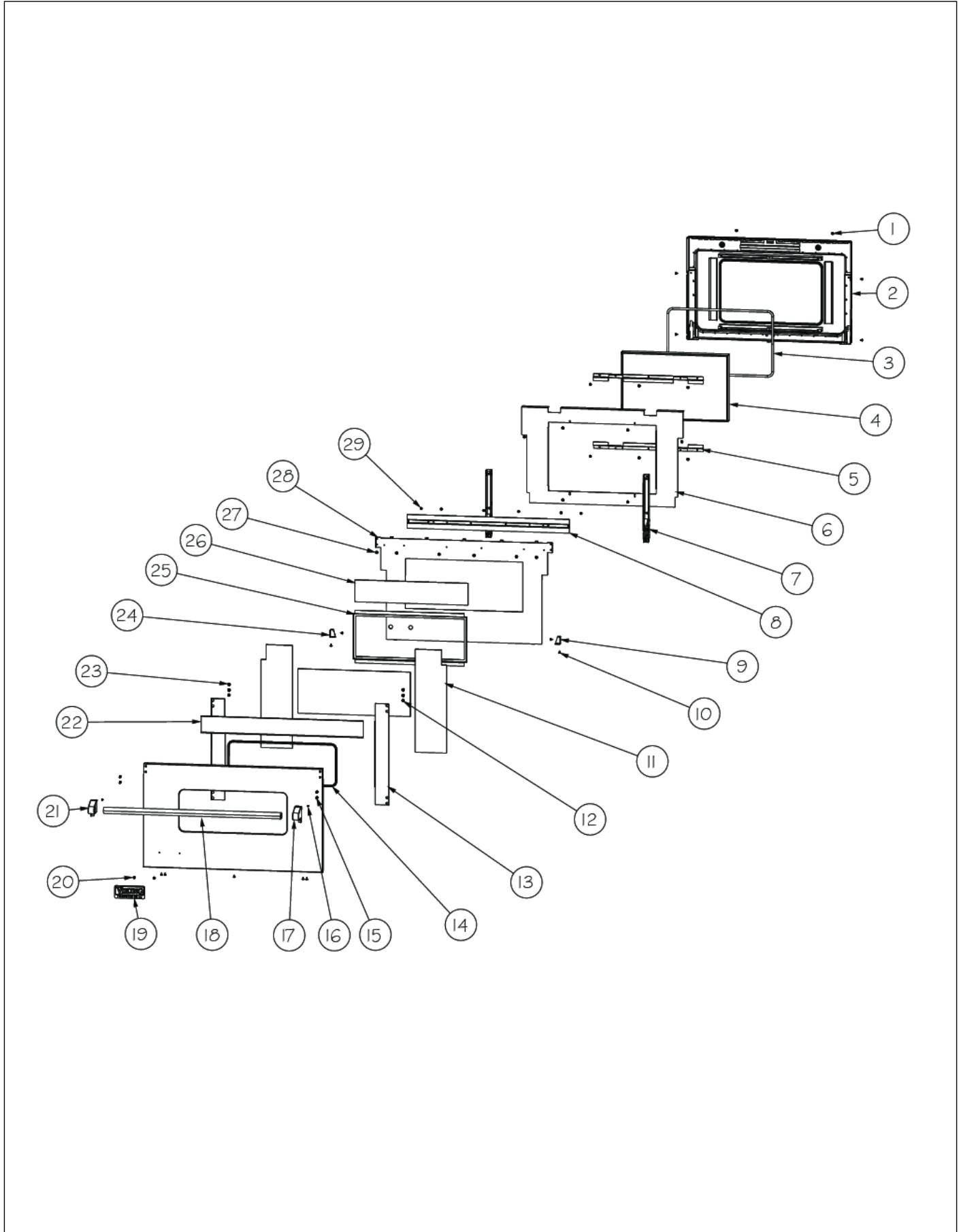
#15) part 002740-000

#17) part 013290-000

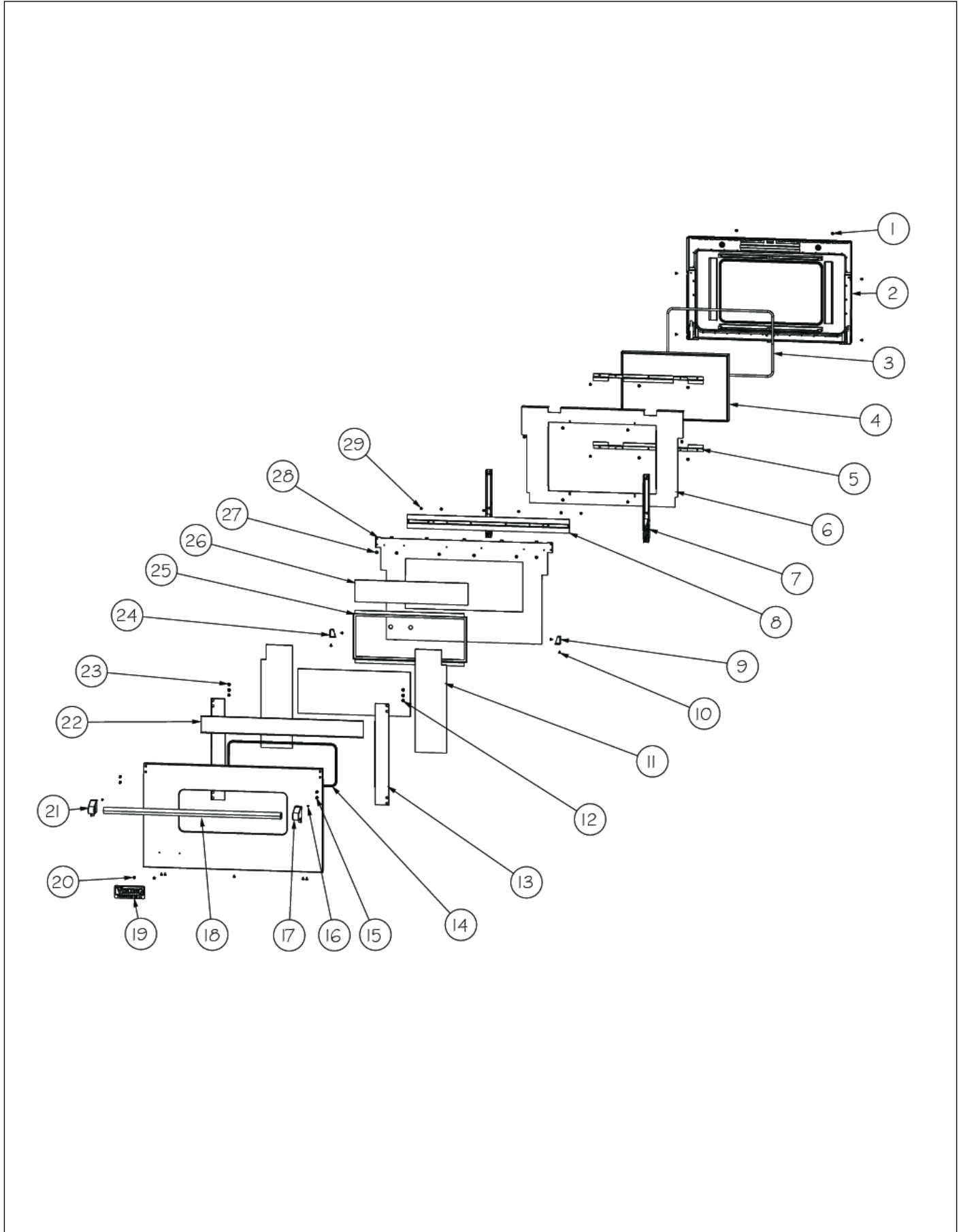
these part numbers in middleby do not cross over to each other

please correct with the correct part numbers Thanks Dan

8	006089-000	DOOR SKIN MTG BRACKET ASSY, 36"	1	EA	
9	006807-000	HINGE, BRACKET, RH	1	EA	
10	PD020032	SRW-8(A)X3/8"PH.WFR HD 7/16DIA*NICL	7	EA	
11	006086-000	DOOR, SKIN, INSULATION, SIDE, 36"	2	EA	
12	PD020073	SRW #10 X 24 X 3/8 WAFER HD TYPE23	2	EA	
13	002726-000	DOOR SKIN SIDE BRACKET	2	EA	
14	PE060105	30" J-MOLD (CHROME)	1	EA	
15	030823-000	#10-32 PAN HEAD PHILLIPS MACHINE SCREW	3	EA	

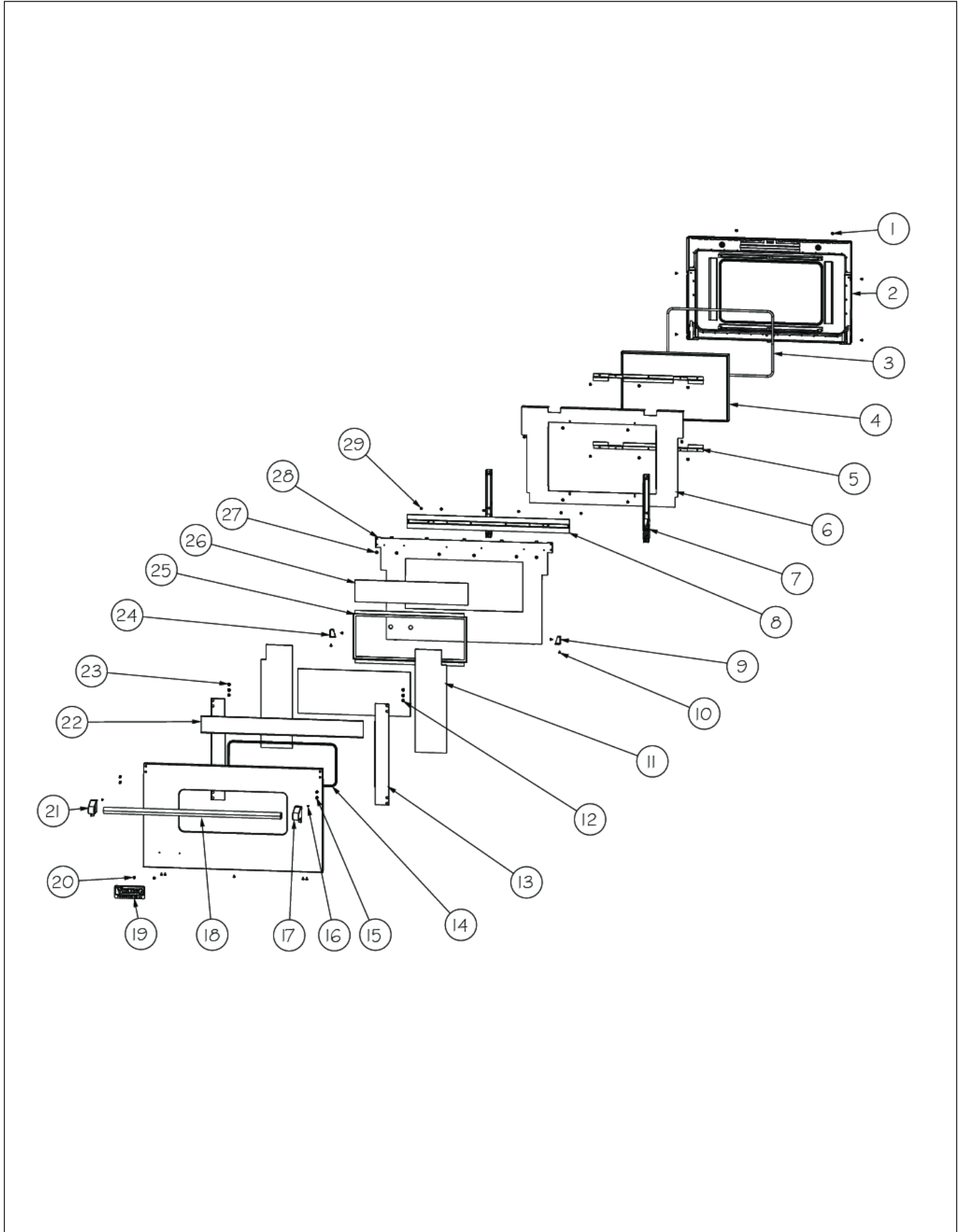


Item	Part No.	Name	Qty	Uom	NOTES
16	003650-000	SET SCREW	2	EA	Not available online / Call for pricing and availability
17	003012-000	DOOR HANDLE ENDCAP ASSY, RH (CHROME)	1	EA	
17	003012-100	DOOR HANDLE ENDCAP ASSY, RH (BRASS) - NLA	1	EA	
18	006080-000	36" DOOR HANDLE, 35.5	1	EA	
19	PE010030	LOGO	1	EA	
19	PE010079	4.5" LOGO/VIKING PROF *BK/BR	1	EA	
20	PD030006	CAPPED WASHER PAL NUT	2	EA	
21	003011-000	DOOR HANDLE ENDCAP ASSY, LH (CHROME)	1	EA	
21	003011-100	DOOR HANDLE ENDCAP ASSY, LH (BRASS)	1	EA	
22	006082-000	DOOR SKIN HEAT SINK, 36"	1	EA	
23	004907-000	STEEL FINISHING PLUG, NICKEL PLTD 25/64" HOLE	4	EA	
24	006808-000	HINGE, BRACKET, LH	1	EA	
25	L20014077	30" WINDOW HOLDER	1	EA	
26	006788-000	INSULATION,DOOR, TOP,SUPE RWOOL,.25,VDSC530	1	EA	
27	PD020033	SRW #10-24 X 1/2" T (23) PH WFR HD (NKL)	6	EA	
28	006084-000	DOOR SKIN INSULATION RETAINER, 36"	1	EA	
29	PD030010	#10-24 KEPS NUT ZINC PLATED	6	EA	
NI	021311-000	DOOR SKIN SERVICE ASSEMBLY, SS	1	EA	
NI	021312-002	DOOR SKIN SERVICE ASSEMBLY, BK	1	EA	
NI	021312-003	DOOR SKIN SERVICE ASSEMBLY, BT	1	EA	
NI	021312-004	DOOR SKIN SERVICE ASSEMBLY, SG	1	EA	
NI	021312-005	DOOR SKIN SERVICE ASSEMBLY, GG	1	EA	Not available online / Call for pricing and availability

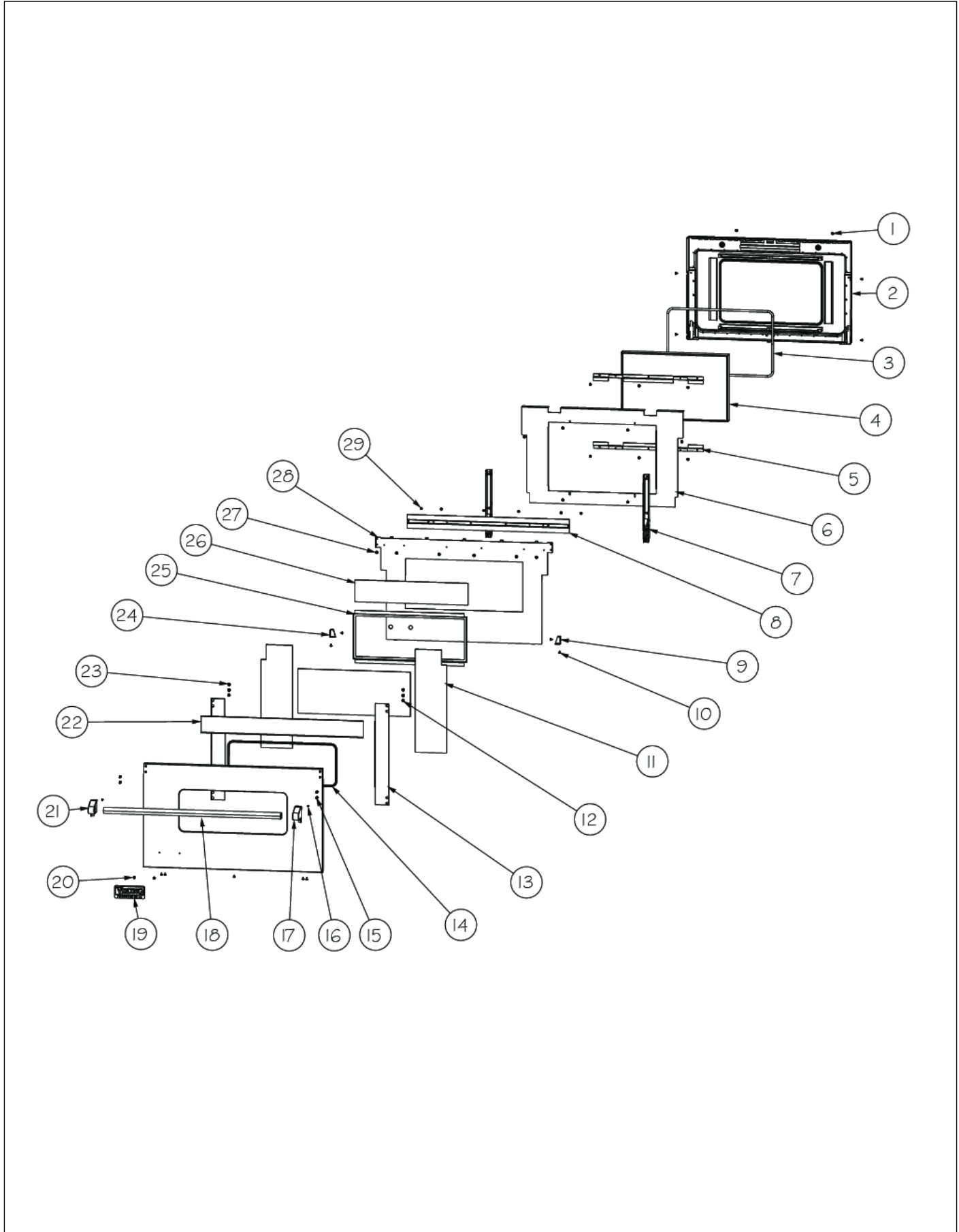




Item	Part No.	Name	Qty	Uom	NOTES
NI	021312-006	DOOR SKIN SERVICE ASSEMBLY, WH	1	EA	
NI	021312-008	DOOR SKIN SERVICE ASSEMBLY, BU	1	EA	
NI	021312-009	DOOR SKIN SERVICE ASSEMBLY, LE	1	EA	
NI	021312-010	DOOR SKIN SERVICE ASSEMBLY, MJ	1	EA	
NI	021312-012	DOOR SKIN SERVICE ASSEMBLY, VB	1	EA	
NI	021312-013	DOOR SKIN SERVICE ASSEMBLY, CB	1	EA	Not available online / Call for pricing and availability
NI	021312-015	DOOR SKIN SERVICE ASSEMBLY, PL	1	EA	
NI	021312-016	DOOR SKIN SERVICE ASSEMBLY, CH	1	EA	
NI	021312-017	DOOR SKIN SERVICE ASSEMBLY, TP	1	EA	
NI	021312-018	DOOR SKIN SERVICE ASSEMBLY, CW NLA	1	EA	
NI	021312-019	DOOR SKIN SERVICE ASSEMBLY, OG	1	EA	
NI	021312-020	DOOR SKIN SERVICE ASSEMBLY, GM	1	EA	
NI	021312-021	DOOR SKIN SERVICE ASSEMBLY, SA	1	EA	
NI	021312-022	DOOR SKIN SERVICE ASSEMBLY, SE	1	EA	
NI	021312-023	DOOR SKIN SERVICE ASSEMBLY, IB	1	EA	
NI	021312-024	DOOR SKIN SERVICE ASSEMBLY, AR	1	EA	
NI	021312-025	DOOR SKIN SERVICE ASSEMBLY, RR	1	EA	
NI	021312-026	DOOR SKIN SERVICE ASSEMBLY, PM	1	EA	
NI	021312-027	DOOR SKIN SERVICE ASSEMBLY, MS	1	EA	
NI	006100-000	DOOR ASSEMBLY, 36" - SS	1	EA	
NI	009915-002	DOOR ASSEMBLY, 36" - BK	1	EA	
NI	009915-003	DOOR ASSEMBLY, 36" - BT	1	EA	



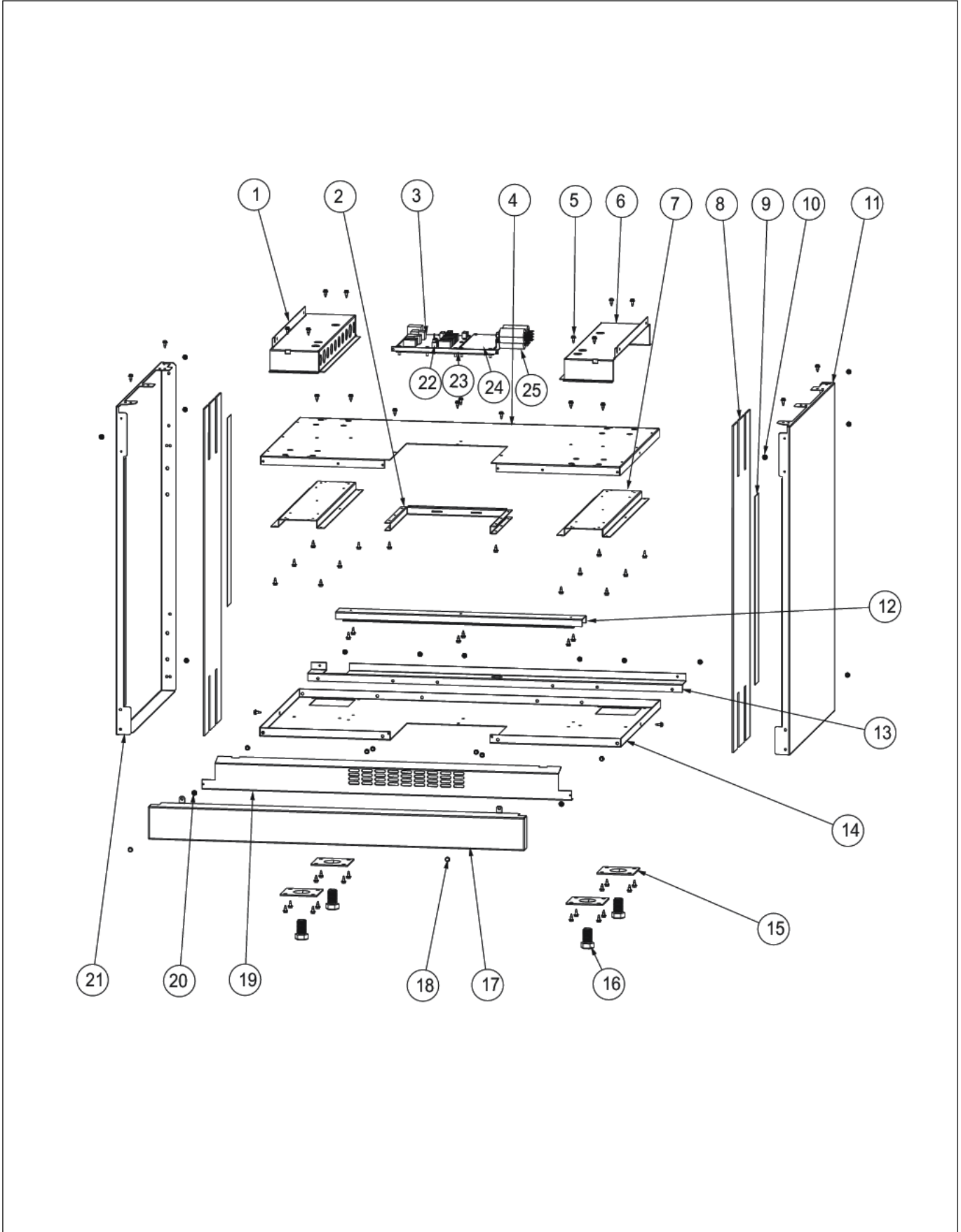
Item	Part No.	Name	Qty	Uom	NOTES
NI	009915-004	DOOR ASSEMBLY, 36" - SG	1	EA	
NI	009915-005	DOOR ASSEMBLY, 36" - GG	1	EA	
NI	009915-006	DOOR ASSEMBLY, 36" - WH	1	EA	
NI	009915-008	DOOR ASSEMBLY, 36" - BU	1	EA	
NI	009915-009	DOOR ASSEMBLY, 36" - LE	1	EA	
NI	009915-010	DOOR ASSEMBLY, 36" - MJ	1	EA	
NI	009915-012	DOOR ASSEMBLY, 36" - VB	1	EA	
NI	009915-013	DOOR ASSEMBLY, 36" - CB	1	EA	
NI	009915-015	DOOR ASSEMBLY, 36" - PL	1	EA	
NI	009915-016	DOOR ASSEMBLY, 36" - CH	1	EA	
NI	009915-017	DOOR ASSEMBLY, 36" - TP	1	EA	
NI	009915-018	DOOR ASSEMBLY, 36" - CW NLA	1	EA	
NI	009915-019	DOOR ASSEMBLY, 36" - OG	1	EA	
NI	009915-020	DOOR ASSEMBLY, 36" - GM	1	EA	
NI	009915-021	DOOR ASSEMBLY, 36" - SA	1	EA	
NI	009915-022	DOOR ASSEMBLY, 36" - SE	1	EA	
NI	009915-023	DOOR ASSEMBLY, 36" - IB	1	EA	
NI	009915-024	DOOR ASSEMBLY, 36" - AR	1	EA	Not available online / Call for pricing and availability
NI	009915-025	DOOR ASSEMBLY, 36" - RR	1	EA	
NI	009915-026	DOOR ASSEMBLY, 36" - PM	1	EA	
NI	009915-027	DOOR ASSEMBLY, 36" - MS	1	EA	
NI	006100-100	DOOR ASSEMBLY - SS/BR, 36"	1	EA	
NI	009915-102	DOOR ASSEMBLY, 36" - BK/BR	1	EA	
NI	009915-103	DOOR ASSEMBLY, 36" - BT/BR	1	EA	
NI	009915-104	DOOR ASSEMBLY, 36" - SG/BR	1	EA	
NI	009915-105	DOOR ASSEMBLY, 36" - GG/BR	1	EA	
NI	009915-106	DOOR ASSEMBLY, 36" - WH/BR	1	EA	
NI	009915-108	DOOR ASSEMBLY, 36" - BU/BR	1	EA	
NI	009915-109	DOOR ASSEMBLY, 36" - LE/BR	1	EA	
NI	009915-110	DOOR ASSEMBLY, 36" - MJ/BR	1	EA	
NI	009915-112	DOOR ASSEMBLY, 36" - VB/BR	1	EA	





Item	Part No.	Name	Qty	Uom	NOTES
NI	009915-113	DOOR ASSEMBLY, 36" - CB/BR	1	EA	
NI	009915-115	DOOR ASSEMBLY, 36" - PL/BR	1	EA	
NI	009915-116	DOOR ASSEMBLY, 36" - CH/BR	1	EA	
NI	009915-117	DOOR ASSEMBLY, 36" - TP/BR	1	EA	
NI	009915-118	DOOR ASSEMBLY, 36" - CW/BR	1	EA	
NI	009915-119	DOOR ASSEMBLY, 36" - OG/BR	1	EA	
NI	009915-120	DOOR ASSEMBLY, 36" - GM/BR	1	EA	
NI	009915-121	DOOR ASSEMBLY, 36" - SA/BR	1	EA	
NI	009915-122	DOOR ASSEMBLY, 36" - SE/BR	1	EA	
NI	009915-123	DOOR ASSEMBLY, 36" - IB/BR	1	EA	
NI	009915-124	DOOR ASSEMBLY, 36" - AR/BR	1	EA	
NI	009915-125	DOOR ASSEMBLY, 36" - RR/BR	1	EA	
NI	009915-126	DOOR ASSEMBLY, 36" - PM/BR	1	EA	
NI	009915-127	DOOR ASSEMBLY, 36" - MS/BR	1	EA	
NI	006996-000	DOOR GASKET, 36"	1	EA	

LOWER UNIT _ SIDE PANEL

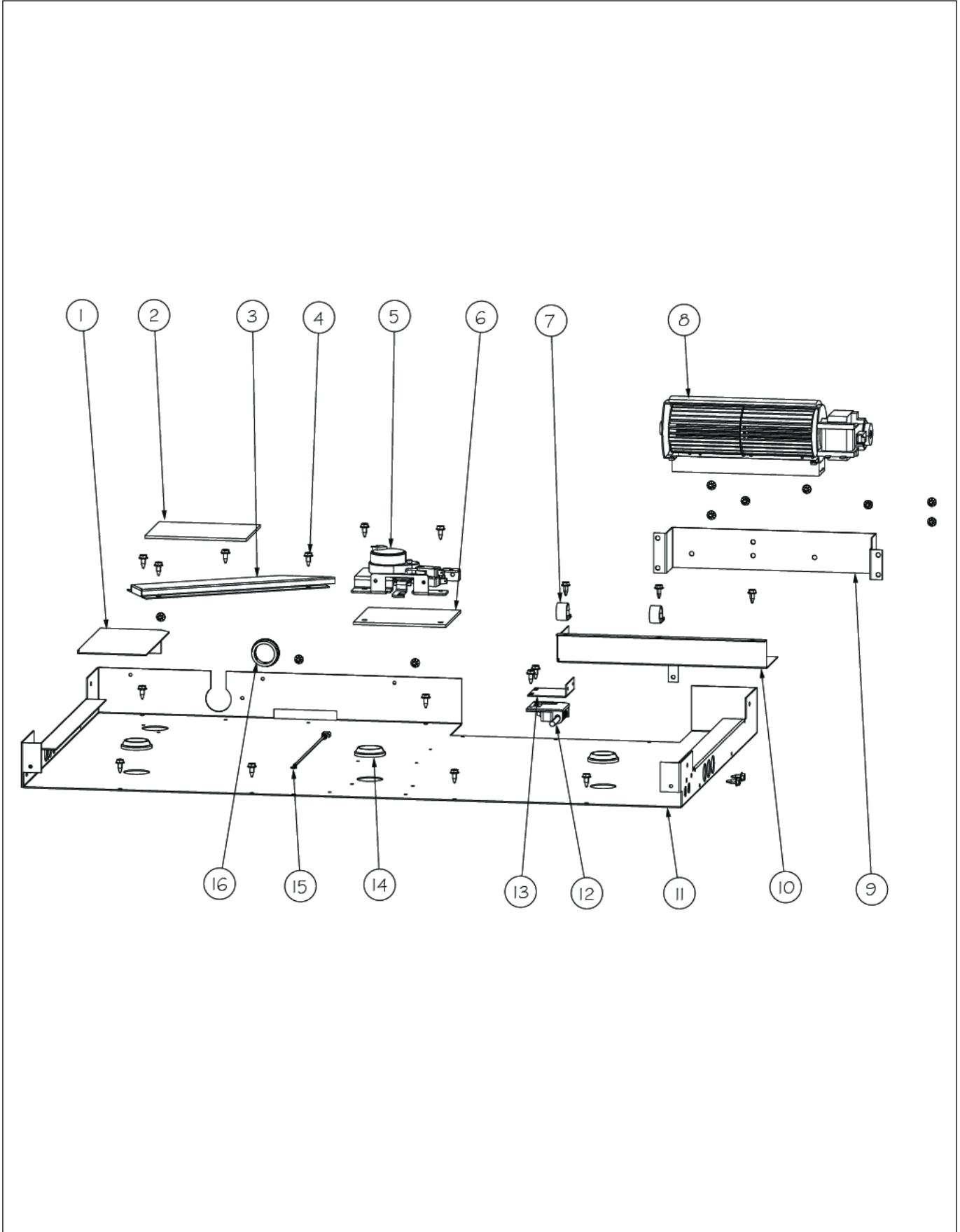


Item	Part No.	Name	Qty	Uom	NOTES
1	003763-000	OVEN MODULE SUPPORT CHANNEL, LH	1	EA	
2	003054-000	BASE CENTER CUTOUT STIFFENER	1	EA	
3	046142-556	CONTROL, EOC4, LED, V39/V51 & FAMILY	1	EA	
NI	024909-000	SHIELD, WRG	1	EA	
4	003328-000	PLATE, BASE, UPR, 36"	1	EA	
5	003860-000	10-18 x .500 FASTNR,SCR,HXWH,STL,ZPLT	76	EA	
6	003761-000	OVEN MODULE SUPPORT CHANNEL, RH	1	EA	
7	003053-000	BASE LEG SUPPORT CHANNEL	2	EA	
8	007488-000	SINK, REAR, SIDE	2	EA	
9	M0275166	TAPE-ALUM SL	2	EA	
10	014143-000	SCR 10-12 A SHLD TRP 1/2 S ZN BLUE	2	EA	
11	002905-000	SIDE PANEL, RH	1	EA	
12	003327-000	BRACE, BASE, 36"	1	EA	
13	004503-000	BASE, LEDG, BACK, 36"	1	EA	
14	003326-000	PLATE, BASE, LWR, 36"	1	EA	
15	PC030007	LEG PLATE - 3/4" THREADED HOLE	4	EA	
16	PD010022	HEX HD. BOLT - 3/4-10 X 1-1/4"	4	EA	
17	005382-000	KICKPLATE, SS, VDSC36	1	EA	
18	PD020032	SRW-8(A)X3/8"PH.WFR HD 7/16DIA*NICL	1	EA	
19	051833-000	GRILL, ACS, LWR, 36"	1	EA	
20	003801-000	SHOULDER SCREW, #10	2	EA	
21	003588-000	SIDE PANEL, LH	1	EA	
22	PE070763	10 POSITION 30" L.O.	1	EA	
23	015096-000	PLATE, MTG, EOC4 CONTROL BOARD	1	EA	
24	038417-000	EOC4 POWER SUPPLY BOARD, CB	1	EA	
25	036047-000	CAPACITOR, CONV MOTOR, INTL		EA	



Item	Part No.	Name	Qty	Uom	NOTES
Not Shown	PD030172	M8 X 1.25MM NUT	2	EA	
Not Shown	NOTE	(USED TO INSTALL CAPACITOR)		EA	
NI	PD040164	5/16 INTERNAL TOOTH LOCK WASHER TYPE A	2	EA	
Not Shown	NOTE	(USED TO INSTALL CAPACITOR)		EA	
NI	PD020043	#6-32 X .750 PH. CTRSK T(F)-VGSO166	13	EA	
Not Shown	NOTE	(USED TO INSTALL BOARDS)		EA	

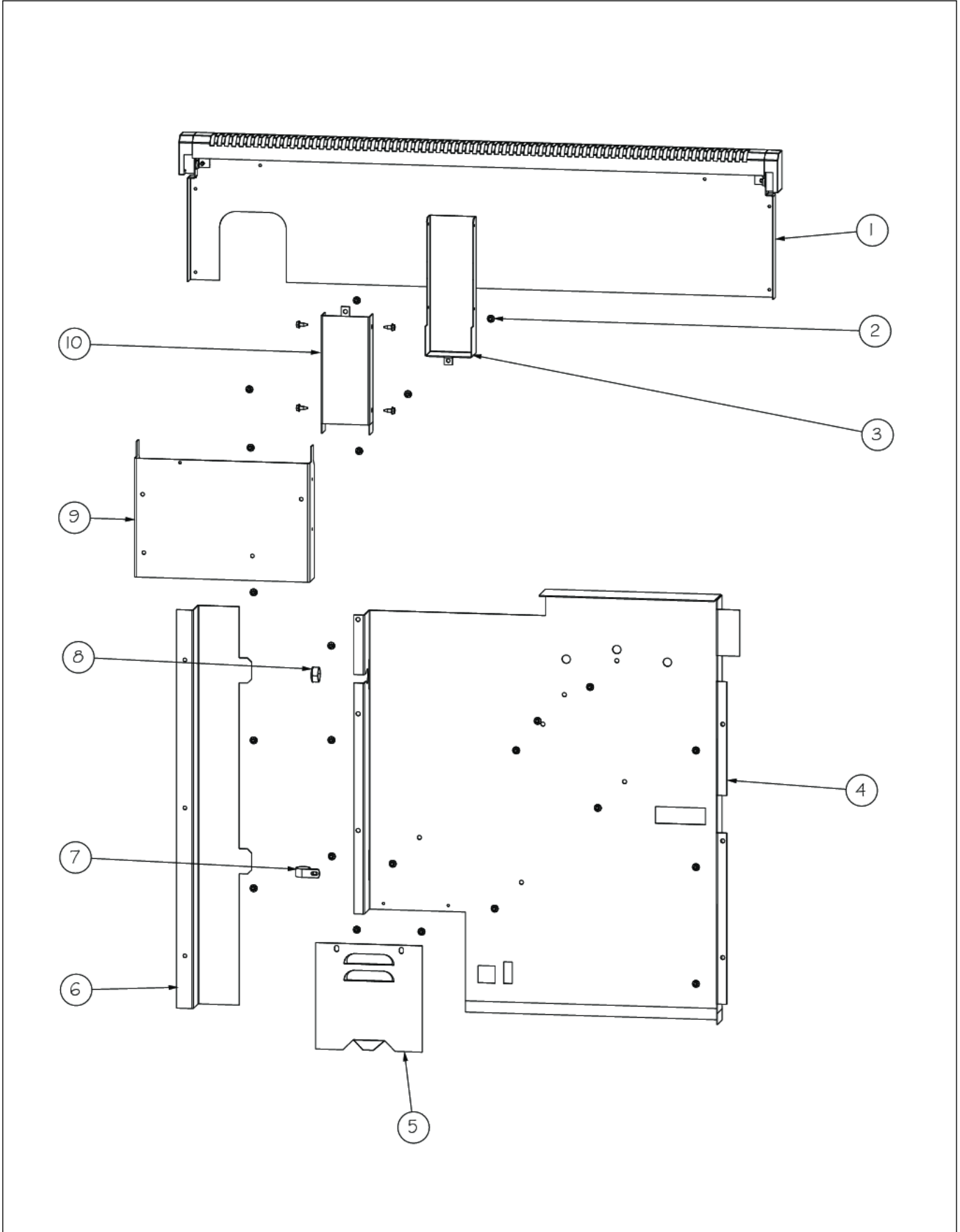
OVEN ELECTRONICS





Item	Part No.	Name	Qty	Uom	NOTES
1	004016-000	PLATE,SVCE,RGLT	1	EA	
2	004285-000	INSULATION, FOIL-BACKED,4"x5"	1	EA	
3	004698-000	FLUE DUCT, VDSC36"	1	EA	
4	003860-000	10-18 x .500 FASTNR,SCR,HXWH,STL,ZPLT	29	EA	
5	013250-000	LATCH,DOOR,ASM,240V,GRID DLE LOCKOUT	1	EA	
Not Shown	NOTE	(BEFORE 10/31/13)		EA	
5	039293-000	LATCH, ELEC, 240V, ASSY	1	EA	
Not Shown	NOTE	(ON OR AFTER 10/31/13)		EA	
6	013564-000	LOWER LATCH INSULATION	1	EA	
7	PD030109	INSULATED CLAMP	2	EA	
8	PE050250	Blower	1	EA	
Comments for Part Num. PE050250					
highendappsvc@gmail.com on Jan 28, 2019					
If you need to replace cooling fan for the model vgsc5486gss serial date code 031412, do not order this fan, this fan is larger and configured wrong. The correct fan is 007794-000. it is smaller.					
Not Shown	NOTE	(BEFORE 8/10/2013)		EA	
8	018607-000	FAN, BLO, 220-240V 50/60Hz ASM (MT1664)	1	EA	
Not Shown	NOTE	(ON OR AFTER 8/10/2013)		EA	
9	004110-000	Blower Mount	1	EA	
10	A2009659	Blower Bracket	1	EA	
11	004547-000	RANGE TOP BRACE, AIR CHANNEL, 36"	1	EA	
12	PE050208	DOOR SWITCH	1	EA	
13	A20012649	DOOR SWITCH BRACKET	1	EA	
14	PB070079	SILICONE EXTRUSION (DGSU)	3	EA	
15	G4000936	GROUND WIRE	1	EA	
16	PD040152	SNAP BUSHING	1	EA	

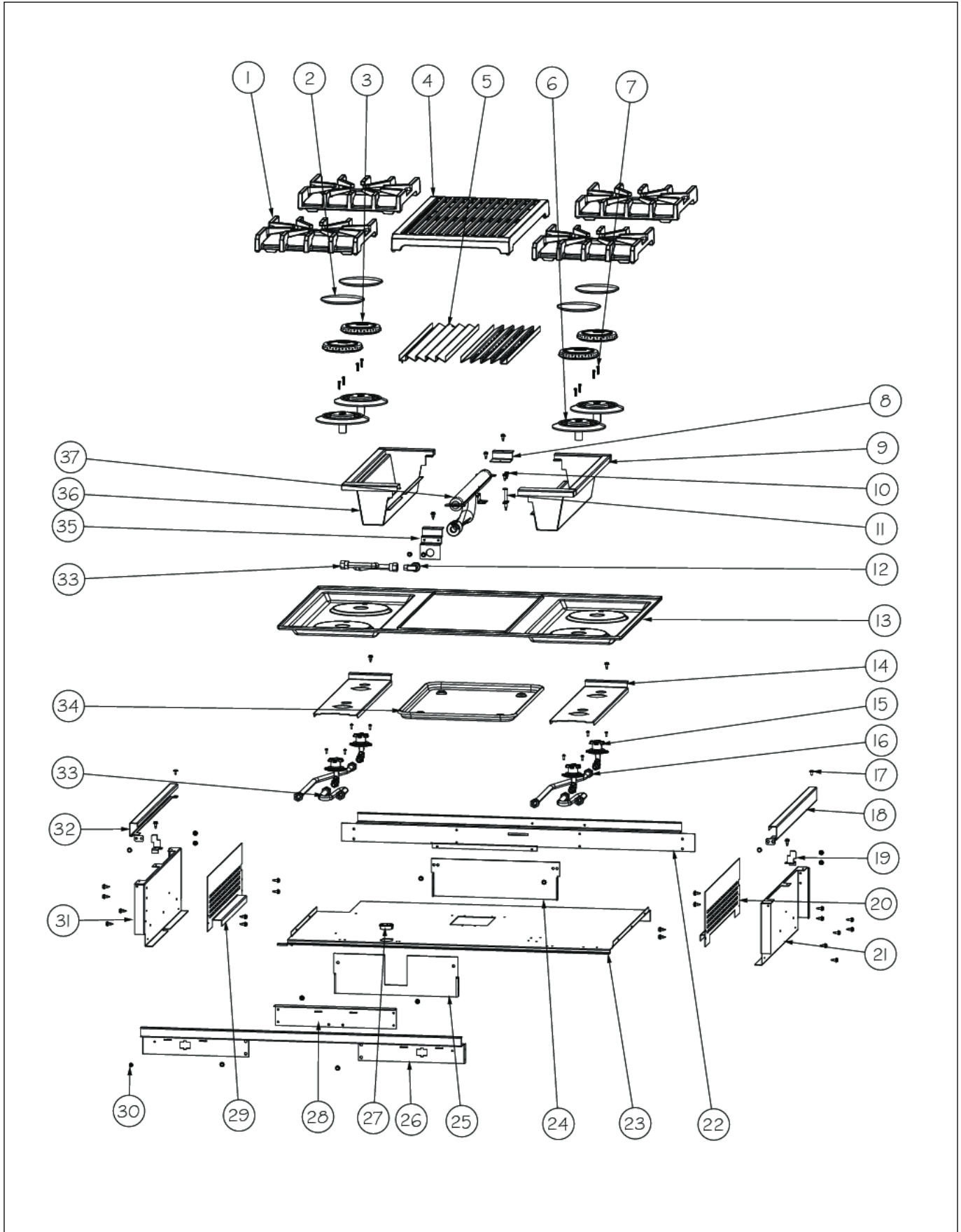
REAR SHEET METAL





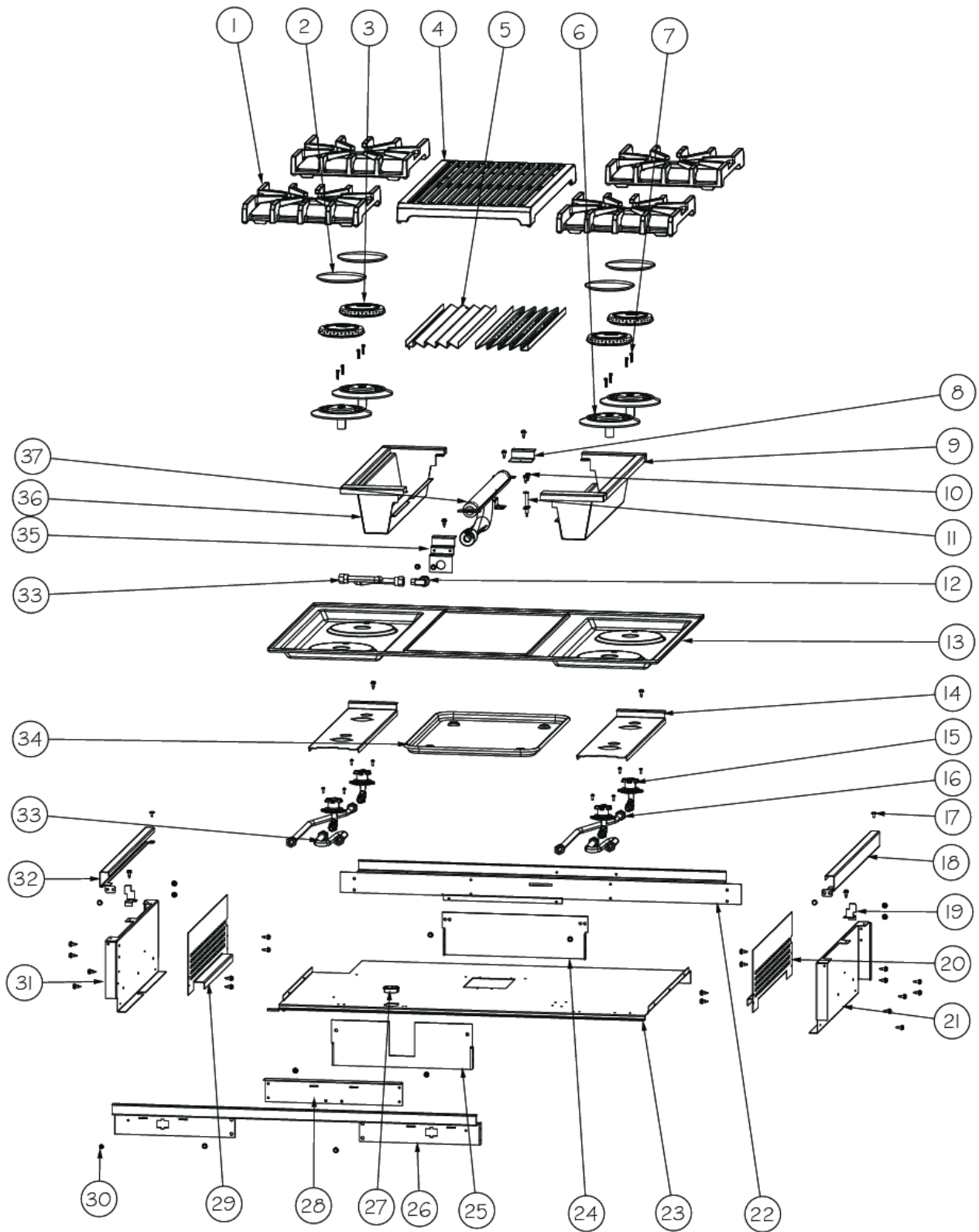
Item	Part No.	Name	Qty	Uom	NOTES
1	041505-000	ISLAND TRIM, ASM, 36" CUSTOM	1	EA	
2	003860-000	10-18 x .500 FASTNR,SCR,HXWH,STL,ZPLT	27	EA	
3	A20010101	FLUE, OUTSIDE SHELL	1	EA	
4	003272-000	COVER, BACK- INTERNATIONAL	1	EA	
5	A2002454	BACK, COVER ACCESS DOOR	1	EA	
6	003245-000	CHANNEL, WIRE, REAR	1	EA	
7	PD030109	INSULATED CLAMP	1	EA	
8	PD040005	SNAP BUSHING - 7/8"	1	EA	
9	003681-000	DUCT, AIR	1	EA	
10	A20010102	FLUE, CENTER EXTENDED	1	EA	
NI	A2002654	ANTI-TIP DEVICE (VDSC)	1	EA	

SURFACE COOKING AREA





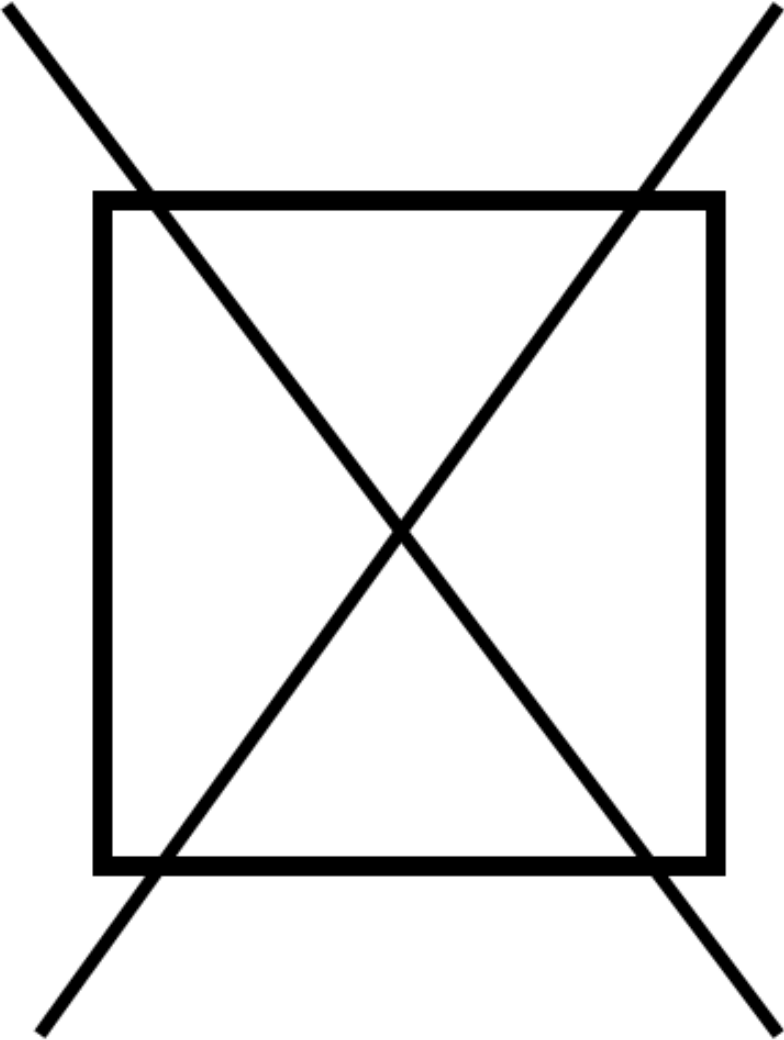
Item	Part No.	Name	Qty	Uom	NOTES
1	007323-000	BURNER GRATE	4	EA	
Not Shown	NOTE	(BEFORE 11/21/14)		EA	
1	049420-000	GRATE, BURNER, ASM	4	EA	
Not Shown	NOTE	(ON OR AFTER 11/21/14)		EA	
NI	PD040075	RUBBER FOOT	16	EA	
Not Shown	NOTE	(BEFORE 11/21/14)		EA	
NI	049416-000	BUMPER, GRATE	16	EA	
Not Shown	NOTE	(ON OR AFTER 11/21/14)		EA	
2	PA080083	D BURNER CAP *MATTE BLACK*	4	EA	
3	018200-000	ADJUSTED SEALED BURNER HEAD	4	EA	
4	010168-000	CUSTOM RANGE GRILL GRATE	1	EA	
5	E9101130BK	GRILL SMOKE GENERATOR	2	EA	
6	003322-040	SEALED BURNER BASE, TURNED FINISH	4	EA	
7	009197-000	#6-32 X 5/8 18-8 SS NC SOC CAP	8	EA	
8	008636-000	BRACKET, BURNER, GRILL, REAR	1	EA	
9	013593-000	PAN, DRIP, ASM, RIGHT	1	EA	
10	003860-000	10-18 x .500 FASTNR,SCR,HXWH,STL,ZPLT	40	EA	
11	PA020028	SPARK IGNITER	1	EA	
12	PB040238	90 DEGREE ORIFICE FITTING, NAT #47	1	EA	
13	E9108438BK	MAIN TOP (VGRT4G/Q) *BK*	1	EA	
14	002923-000	BURNER MODULE SUPPORT	1	EA	
15	001394-042	15000 BTU NAT JETHOLDER	3	EA	
15	001394-046	12.5 K BTU LP JETHOLDER	3	EA	
16	PB020193	16" FLEX TUBING W/CONNECTORS	2	EA	
17	PD020032	SRW-8(A)X3/8"PH.WFR HD 7/16DIA*NICL	4	EA	
18	002920-000	TOP TRIM RING, RH	1	EA	





Item	Part No.	Name	Qty	Uom	NOTES
19	004021-000	SUPPORT,TRIM,SIDE	2	EA	
20	016793-000	SHIELD, HEAT, RH, Q MODELS	1	EA	
21	002755-000	BURNER BOX SIDE, RH	1	EA	
22	004602-000	REAR SUPPORT, BURNER BOX 36"	1	EA	
23	014116-000	BURNER BOX, BTM, VDSC536T	1	EA	
Not Shown	NOTE	(BEFORE 1/26/11)		EA	
23	024659-000	BURNER,BOX,BOT,VDSC536T	1	EA	
Not Shown	NOTE	(ON OR AFTER 1/26/11)		EA	
24	016794-000	SHIELD, HEAT, REAR, Q MODELS	1	EA	
25	016796-000	SHIELD, HEAT, FR, Q MODELS	1	EA	
26	004603-000	FRONT SUPPORT, BURNER BOX 36"	1	EA	
27	PD040152	SNAP BUSHING	1	EA	
28	012771-000	RANGETOP, BRKT, FR, VDSC CUSTOM	1	EA	
29	016792-000	SHIELD, HEAT, LH, Q MODELS	1	EA	
30	PD020010	10 X 3/8 GREEN GROUNDING SCREW	1	EA	
31	003481-000	BURNER BOX SIDE, LH	1	EA	
32	003649-000	TOP TRIM RING, LH	1	EA	
33	PB020192	10" FLEX TUBING W/CONNECTORS	2	EA	
34	J2101749	GREASE PAN	1	EA	
35	007776-000	MOUNT, GRILL, BURNER, FRONT	1	EA	
36	013595-000	PAN, DRIP, ASM, LEFT	1	EA	
37	007878-000	BURNER, GRIL, ASM	1	EA	

NON ILLUSTRATED PART





Item	Part No.	Name	Qty	Uom	NOTES
NI	024909-000	SHIELD, WRG	1	EA	
NI	015103-000	HARNESS,TEST,VDSC-T MODELS	1	EA	
NI	PE070735	MEAT PROBE HARNESS	1	EA	
NI	015100-000	Ribbon Cable, UI to EOC4 board	1	EA	
NI	015103-000	HARNESS,TEST,VDSC-T MODELS	1	EA	
NI	G4000936	GROUND WIRE	1	EA	
NI	PE070739	BAKE ELEMENT HARNESS	1	EA	
NI	000647-000	IRIS IGNITOR WIRE, FRONT BURNER	2	EA	
NI	001134-000	IRIS HARNESS INSULATED CAP	2	EA	
NI	006766-000	IRIS IGNITOR WIRE, BACK BURNER	3	EA	
NI	PE070658	IGNITOR WIRE KIT	2	EA	
NI	PE070890	IRIS HARNESS - 36"	1	EA	
NI	007378-000	LIGHT SWITCH HARNESS	1	EA	
NI	003245-000	CHANNEL, WIRE, REAR	1	EA	



Appendix A:Pages Index

CAVITY INTERIOR 1
CONTROL AREA2
DOOR ASSEMBLY 3
LOWER UNIT _ SIDE PANEL 4
OVEN ELECTRONICS 5
REAR SHEET METAL6
SURFACE COOKING AREA 7
WIRING 8



Appendix B:Parts Index

000594-000	3	004153-000	3
000647-000	2, 8	004285-000	5
001134-000	2, 8	004503-000	4
001394-042	7	004541-000	1
001394-046	7	004542-000	1
002713-000	3	004547-000	5
002713-402	3	004602-000	7
002726-000	3	004603-000	7
002755-000	7	004606-000	1
002884-000	2	004607-000	1
002905-000	4	004698-000	5
002920-000	7	004907-000	3
002923-000	7	005269-000	2
002941-000	1	005311-000	1
003011-000	3	005382-000	4
003011-100	3	006076-000	3
003012-000	3	006080-000	3
003012-100	3	006082-000	3
003053-000	4	006084-000	3
003054-000	4	006086-000	3
003245-000	6, 8	006089-000	3
003272-000	6	006100-000	3
003322-040	7	006100-100	3
003326-000	4	006177-000	1
003327-000	4	006313-000	2
003328-000	4	006574-000	2
003356-000	1	006766-000	2, 8
003481-000	7	006788-000	3
003588-000	4	006807-000	3
003649-000	7	006808-000	3
003650-000	3	006996-000	3
003681-000	6	007323-000	7
003719-000	2	007378-000	8
003761-000	4	007488-000	4
003763-000	4	007776-000	7
003801-000	4	007878-000	7
003860-000	1, 2, 4, 5, 6, 7	008636-000	7
004016-000	5	009197-000	7
004021-000	7	009915-002	3
004110-000	5	009915-003	3
		009915-004	3



009915-005	3	009915-126	3
009915-006	3	009915-127	3
009915-008	3	010168-000	7
009915-009	3	010348-000	2
009915-010	3	010348-100	2
009915-012	3	011637-000	2
009915-013	3	012771-000	7
009915-015	3	013250-000	5
009915-016	3	013290-000	3
009915-017	3	013386-000	2
009915-018	3	013564-000	5
009915-019	3	013583-000	2
009915-020	3	013593-000	7
009915-021	3	013595-000	7
009915-022	3	013950-000	2
009915-023	3	013995-000	2
009915-024	3	013997-000	2
009915-025	3	014116-000	7
009915-026	3	014137-000	1
009915-027	3	014143-000	4
009915-102	3	015096-000	4
009915-103	3	015100-000	8
009915-104	3	015103-000	8, 8
009915-105	3	016792-000	7
009915-106	3	016793-000	7
009915-108	3	016794-000	7
009915-109	3	016796-000	7
009915-110	3	017336-000	2
009915-112	3	018200-000	7
009915-113	3	018607-000	5
009915-115	3	019448-000	2
009915-116	3	020403-000	1
009915-117	3	020628-000	2
009915-118	3	021311-000	3
009915-119	3	021312-002	3
009915-120	3	021312-003	3
009915-121	3	021312-004	3
009915-122	3	021312-005	3
009915-123	3	021312-006	3
009915-124	3	021312-008	3
009915-125	3	021312-009	3



021312-010	3	A20010102	6
021312-012	3	A20012649	5
021312-013	3	A2002195	1
021312-015	3	A2002454	6
021312-016	3	A2002654	6
021312-017	3	A2009641	1
021312-018	3	A2009659	5
021312-019	3	B21010915	1
021312-020	3	B21010916	1
021312-021	3	E9101130BK	7
021312-022	3	E9108438BK	7
021312-023	3	E9109655	1
021312-024	3	G32014020	1
021312-025	3	G4000936	5, 8
021312-026	3	J2101749	7
021312-027	3	L20014077	3
024040-000	1	M0275166	4
024221-000	1	PA020028	7
024234-000	1	PA020058	2
024492-000	3	PA070003	2
024659-000	7	PA080083	7
024909-000	4, 8	PB010305PVD	2
030823-000	3	PB020112	2
031679-000	1	PB020192	7
035881-000	2	PB020193	7
035885-000	2	PB020275	1
035900-000	2	PB040238	7
036047-000	4	PB070079	5
038417-000	4	PC030007	4
039293-000	5	PD010003	2
041047-000	1	PD010012	2
041505-000	6	PD010022	4
046142-556	4	PD020010	7
049416-000	7	PD020032	2, 3, 4, 7
049420-000	7	PD020033	3
050172-000	2	PD020043	4
051833-000	4	PD020046	2
066478-402	1	PD020048	1
066479-402	1	PD020061	1
A1002457	1	PD020062	1, 2
A20010101	6	PD020063	1, 3



PD020067	1
PD020073	3
PD020232	1
PD030006	3
PD030010	3
PD030109	5, 6
PD030172	4
PD040004	2
PD040005	6
PD040075	7
PD040152	5, 7
PD040164	4
PE010030	3
PE010079	3
PE050114	1
PE050115	1
PE050206	1
PE050208	5
PE050250	5
PE060094	3
PE060105	3
PE070658	8
PE070735	8
PE070739	8
PE070763	4
PE070889	2
PE070890	8
PJ010047	1
PJ010048	1
PM010014	1
PM010160	1