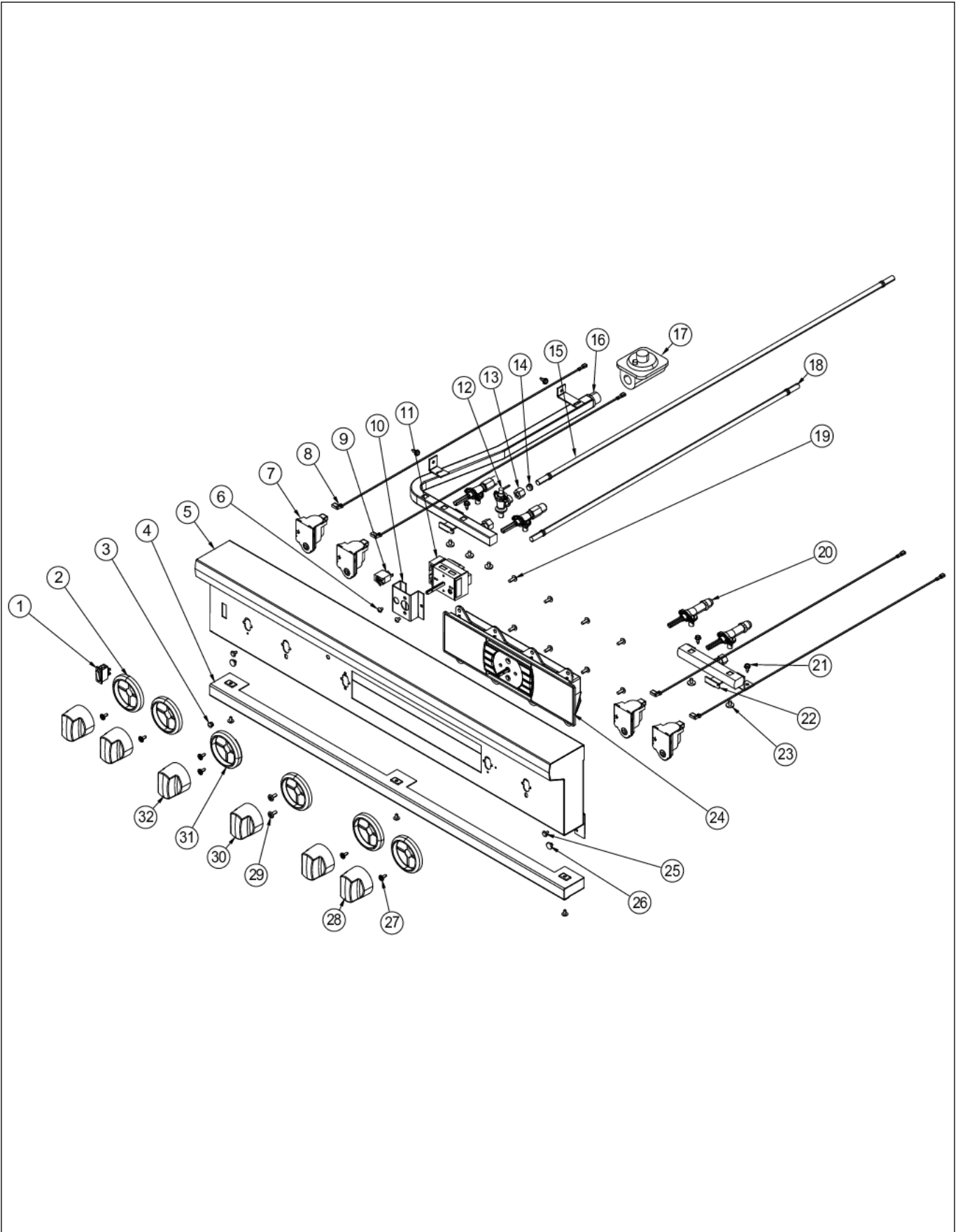


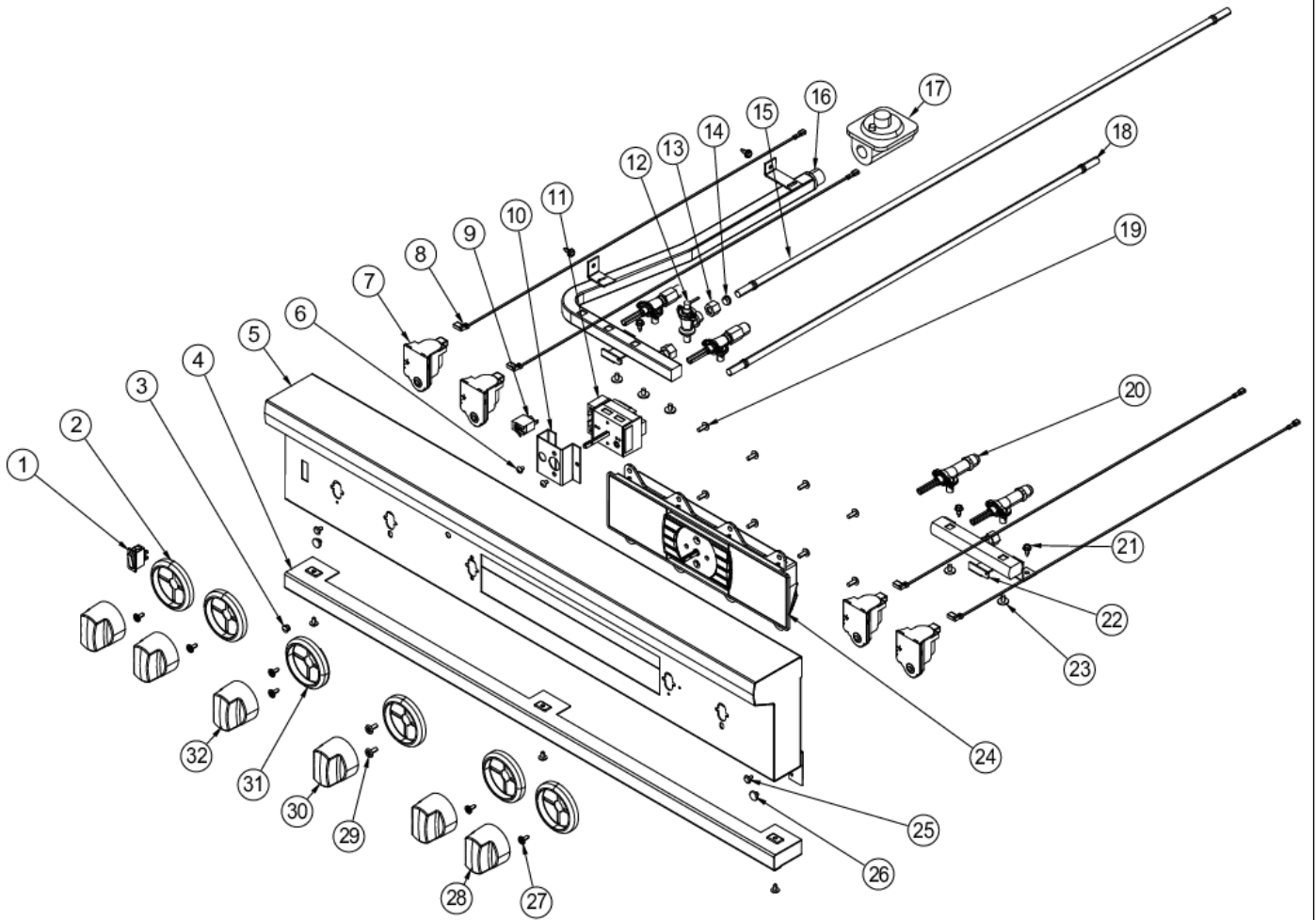
VDSC536T-4G

CONTROL AREA	1
DOOR ASSEMBLY	2
GRIDDLE ASSEMBLY	3
LOWER UNIT AND SIDE PANEL	4
OVEN CAVITY	5
OVEN ELECTRONICS	6
REAR SHEET METAL	7
SURFACE COOKING AREA	8
WIRING	9
Appendix A:Pages Index	A
Appendix B:Parts Index	B

CONTROL AREA

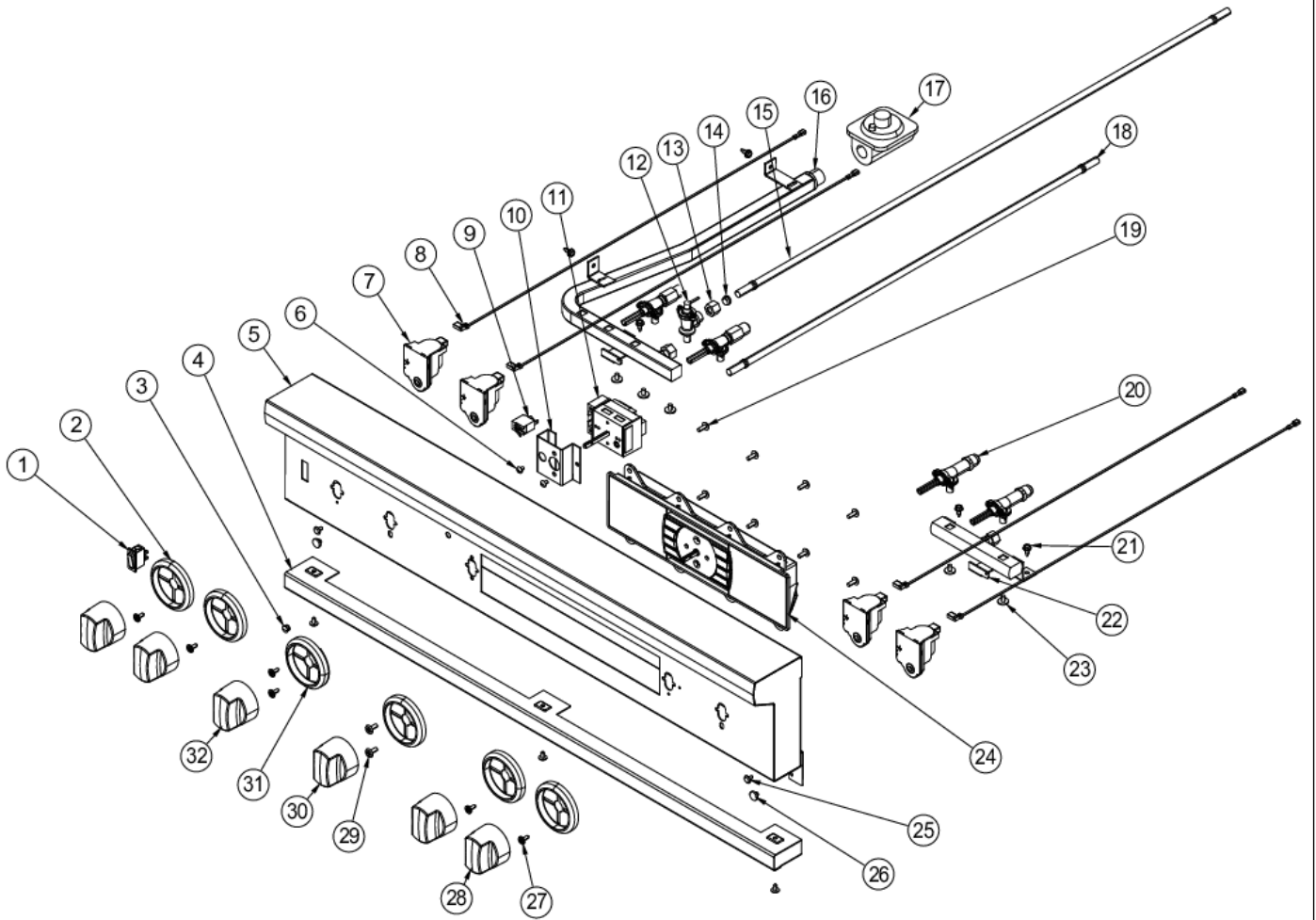


Item	Part No.	Name	Qty	Uom	NOTES
1	003719-000	OVEN LIGHT SWITCH, BLACK	1	EA	
2	050172-000	BEZEL, KNOB	4	EA	
3	015174-000	LENS, BLUE	1	EA	
4	011637-000	TRIM, ASM	1	EA	
5	020660-000	BAR, PNL, ASM	1	EA	
6	PD020044	#8-32 X 1/4" PH. TR. HD. M.S.	2	EA	
7	PA020058	IRIS SINGLE SPARK MODULE	4	EA	
8	006766-000	IRIS IGNITOR WIRE, BACK BURNER	4	EA	
9	015170-000	HOUSING, LIGHT, BLUE NEON, 125V	1	EA	
10	020513-000	BRACKET, TSTAT	1	EA	Not available online / Call for pricing and availability
11	026468-000	THERMOSTAT, 2-POS, LONG SHAFT	1	EA	
12	007147-000	SHUT OFF VALVE	1	EA	
13	PB040213	3/8" COMPRESSION NUT (DGCU)	1	EA	
14	PB040192	3/8" CC FERREL (DGCU)	1	EA	
15	PB020112	3/8 SS FLEX TUBING - 36" T6-36	1	EA	
16	020620-000	MANIFOLD, GAS, ASM, LH	1	EA	Not available online / Call for pricing and availability
16	020628-000	MANIFOLD ASM, VLV, LH, LP	1	EA	
17	PA070003	PRESSURE REGULATOR (NAT.)	1	EA	
17	013386-000	LP PRESSURE REGULATOR	1	EA	
18	PB020111	3/8 SS FLEX TUBING - 27" T6-27	1	EA	
19	PD010003	10-24 X 1/2 PH.TR.HD.SERD.M.S.	8	EA	
20	006313-000	VALVE, BRS, SEALED TOP	4	EA	
21	003860-000	10-18 x .500 FASTNR,SCR,HXWH,STL,ZPLT	5	EA	
22	013997-000	GAS MANIFOLD RH, VDSC530T	1	EA	
23	PD010012	VALVE BOLT 1/4-20 UNC-2B 5/16" M.S.	6	EA	





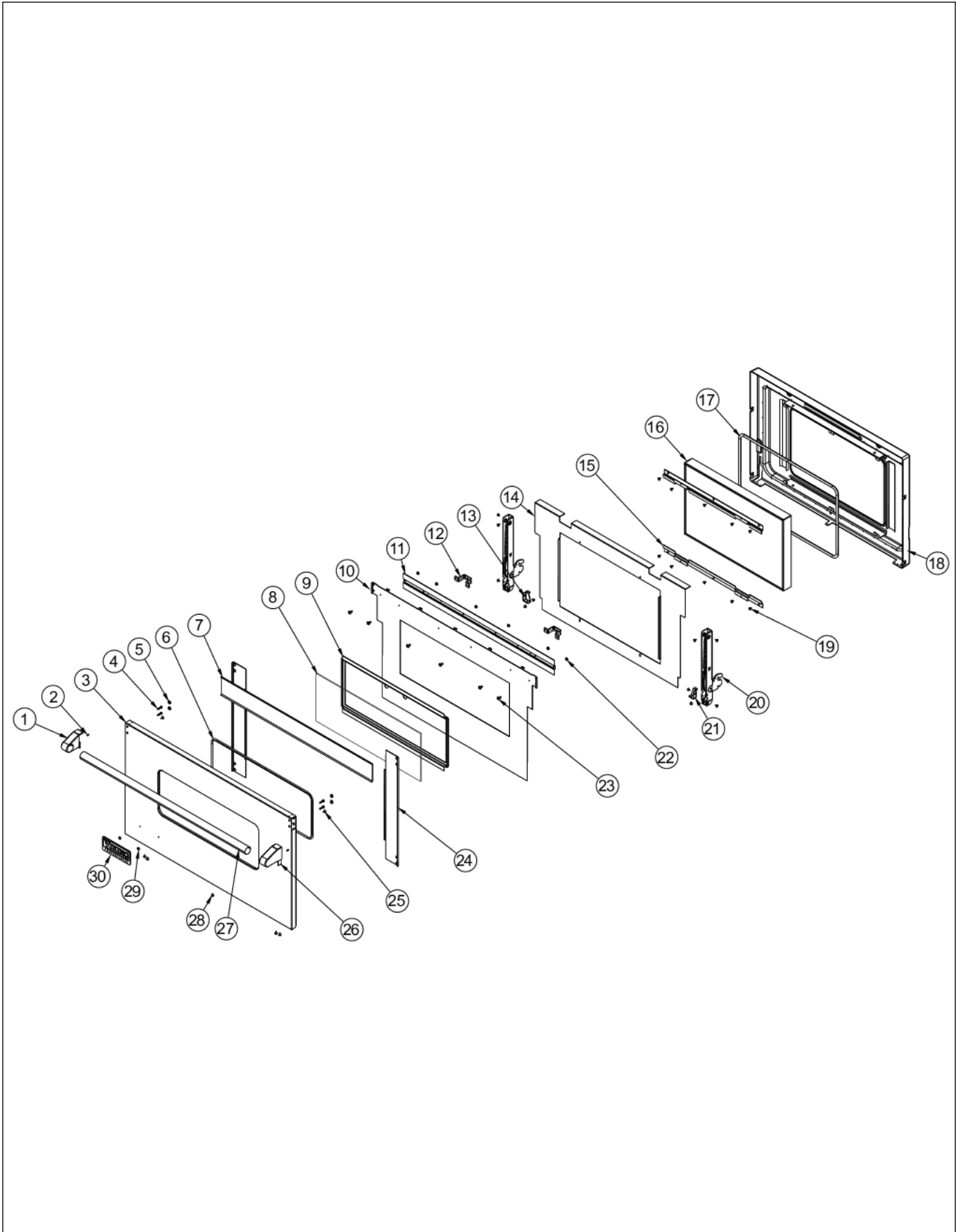
Item	Part No.	Name	Qty	Uom	NOTES
24	013995-000	VDSC ELECTRONIC CONTROLS MODULE (See TC-0075-SP Parts Bulletin before ordering)	1	EA	
<p>Comments for Part Num. 013995-000</p> <p>gboltz@VikingRange.com on Jul 7, 2017 SEE TC-0075-SP Bulletin before ordering</p>					
25	PD020032	SRW-8(A)X3/8"PH.WFR HD 7/16DIA*NICL	5	EA	
26	PD040004	GROMMET BUMPER	2	EA	
27	PD020046	#8 X 1/2 SCREWS	6	EA	
28	005269-000	RANGE TOP BURNER KNOB-BRUSHED, SSS	4	EA	
Not Shown	NOTE	(BEFORE 12/20/12)		EA	
28	035881-000	KNOB, BNR, TOP PRO CR3	4	EA	
Not Shown	NOTE	(ON OR AFTER 12/20/12)		EA	
29	PD020033	SRW #10-24 X 1/2" T (23) PH WFR HD (NKL)	2	EA	
30	013950-000	OVEN KNOB, VDSC ELECTRONIC CONTROLS	1	EA	
Not Shown	NOTE	(BEFORE 12/20/12)		EA	
30	035900-000	KNOB, OVEN PRO VDSC CR3	1	EA	
Not Shown	NOTE	(ON OR AFTER 12/20/12)		EA	
31	010348-000	KNOB BEZEL,VDSC, ELECTRONIC CONTROLS, SS	2	EA	
32	006570-000	KNOB, GRDL/(LH OVEN), ASM, PVD, #3, SSS	1	EA	
<p>Comments for Part Num. 006570-000</p> <p>bradleysapplianceservice@shaw.ca on Aug 25, 2015 006570-000 Griddle Knob Satin Stainless Steel (SSS) - Serial Break: Before 12/20/12 035883-000 Griddle Knob Stainless Steel (SS) - Serial Break After 12/20/12</p> <p>If stainless steel (SS) is required: Use part number 035883-000 Griddle Knob</p>					
Not Shown	NOTE	(BEFORE 12/20/12)		EA	





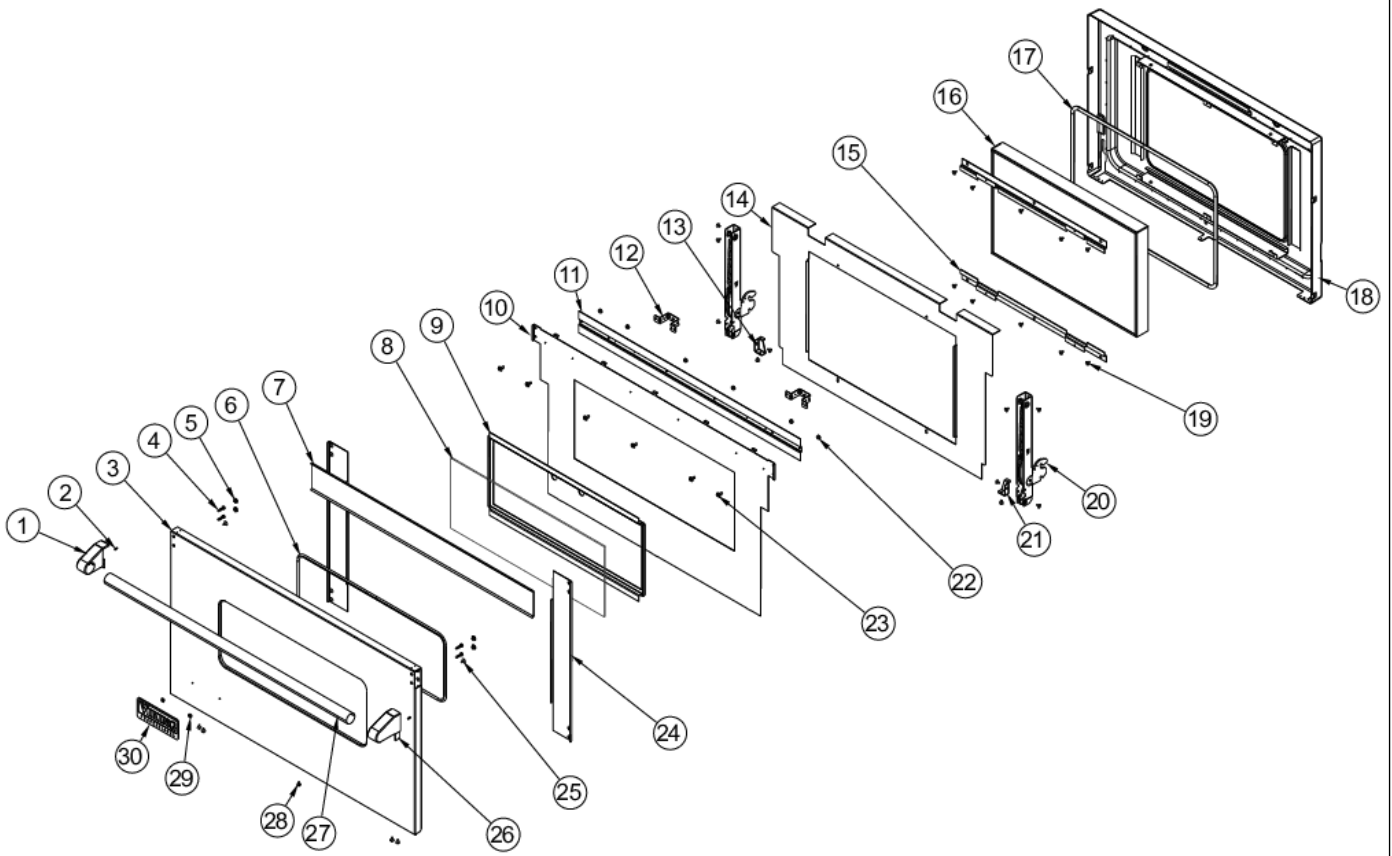
Item	Part No.	Name	Qty	Uom	NOTES
32	035883-000	KNOB,GRDL,PRO CR3	1	EA	
Not Shown	NOTE	(ON OR AFTER 12/20/12)		EA	

DOOR ASSEMBLY



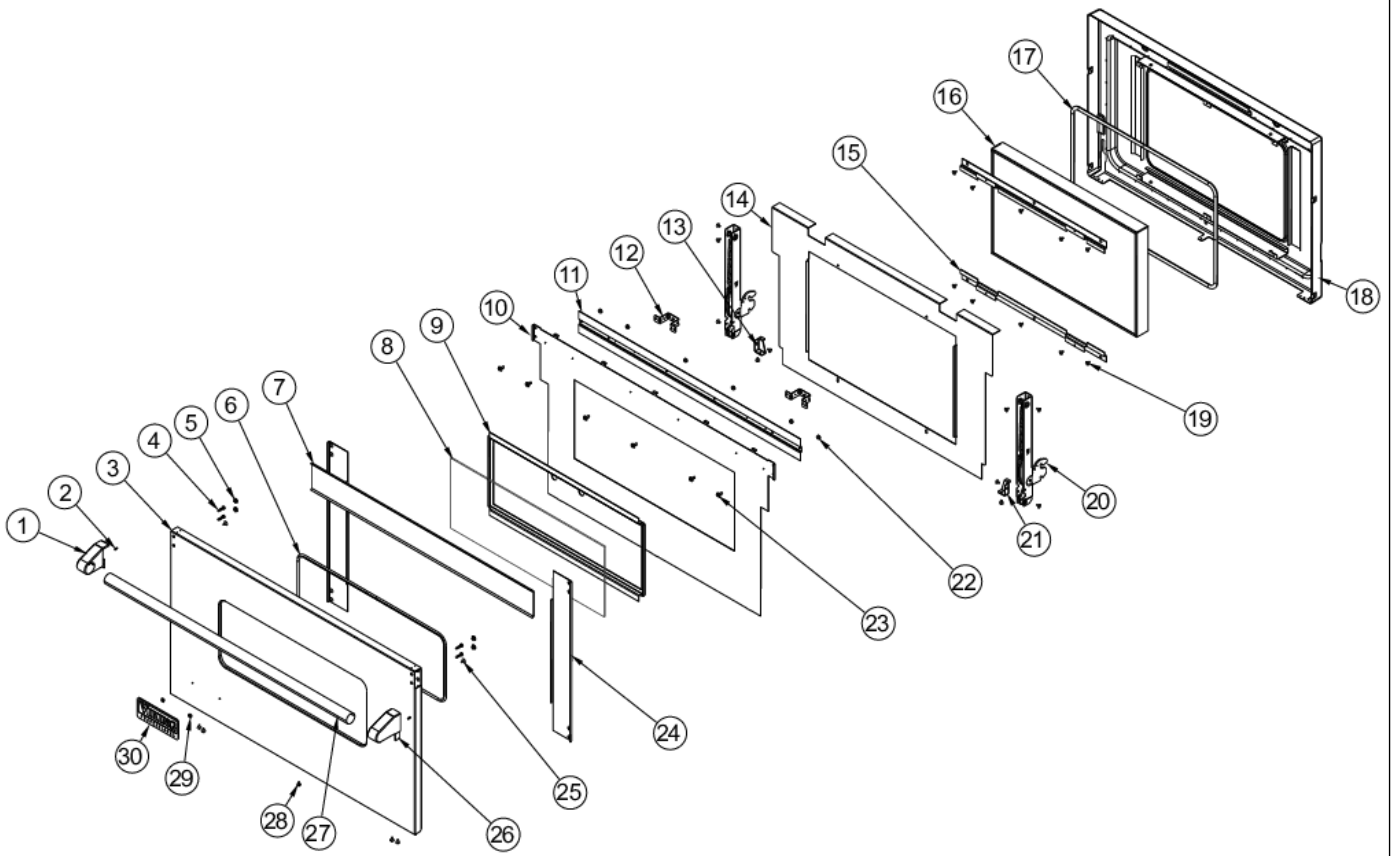


Item	Part No.	Name	Qty	Uom	NOTES
1	003011-000	DOOR HANDLE ENDCAP ASSY, LH (CHROME)	1	EA	
1	003011-100	DOOR HANDLE ENDCAP ASSY, LH (BRASS)	1	EA	
2	003650-000	SET SCREW	2	EA	Not available online / Call for pricing and availability
3	006079-000	DOOR SKIN - SS, 36"	1	EA	
3	009852-002	DOOR SKIN ASM - BK, 36"	1	EA	
3	009852-003	DOOR SKIN ASM - BT, 36"	1	EA	
3	009852-004	DOOR SKIN ASM - SG, 36"	1	EA	
3	009852-005	DOOR SKIN ASM - CG, 36"	1	EA	
3	009852-006	DOOR SKIN ASM - WH, 36"	1	EA	
3	009852-008	DOOR SKIN ASM - BU, 36"	1	EA	
3	009852-009	DOOR SKIN ASM - LE, 36"	1	EA	
3	009852-010	DOOR SKIN ASM - MJ, 36"	1	EA	
3	009852-012	DOOR SKIN ASM - VB, 36"	1	EA	
3	009852-013	DOOR SKIN ASM - CB, 36"	1	EA	
3	009852-015	DOOR SKIN ASM - PL, 36"	1	EA	
3	009852-016	DOOR SKIN ASM - CH, 36"	1	EA	
3	009852-017	DOOR SKIN ASM - TP, 36"	1	EA	
3	009852-018	DOOR SKIN ASM - CW, 36" NLA	1	EA	
3	009852-019	DOOR SKIN ASM - OG, 36"	1	EA	
3	009852-020	DOOR SKIN ASM - GM, 36"	1	EA	
3	009852-021	DOOR SKIN ASM - SA, 36"	1	EA	
3	009852-022	DOOR SKIN ASM - SE, 36"	1	EA	
3	009852-023	DOOR SKIN ASM - IB, 36"	1	EA	
3	009852-024	DOOR SKIN ASM - AR, 36"	1	EA	
3	009852-025	DOOR SKIN ASM - RR, 36"	1	EA	
3	009852-026	DOOR SKIN ASM - PM, 36"	1	EA	
3	009852-027	DOOR SKIN ASM - MS, 36"	1	EA	
3	006094-100	DOOR SKIN ASSY - SS/BR, 36"	1	EA	
3	009852-102	DOOR SKIN ASM - BK/BR, 36"	1	EA	
3	009852-103	DOOR SKIN ASM - BT/BR, 36"	1	EA	





Item	Part No.	Name	Qty	Uom	NOTES
3	009852-104	DOOR SKIN ASM - SG/BR, 36"	1	EA	
3	009852-105	DOOR SKIN ASM - CG/BR, 36"	1	EA	
3	009852-106	DOOR SKIN ASM - WH/BR, 36"	1	EA	
3	009852-108	DOOR SKIN ASM - BU/BR, 36"	1	EA	
3	009852-109	DOOR SKIN ASM - LE/BR, 36"	1	EA	
3	009852-110	DOOR SKIN ASM - MJ/BR, 36"	1	EA	
3	009852-112	DOOR SKIN ASM - VB/BR, 36"	1	EA	
3	009852-113	DOOR SKIN ASM - CB/BR, 36"	1	EA	
3	009852-115	DOOR SKIN ASM - PL/BR, 36"	1	EA	
3	009852-116	DOOR SKIN ASM - CH/BR, 36"	1	EA	
3	009852-117	DOOR SKIN ASM - TP/BR, 36"	1	EA	
3	009852-118	DOOR SKIN ASM - CW/BR, 36"	1	EA	
3	009852-119	DOOR SKIN ASM - OG/BR, 36"	1	EA	
3	009852-120	DOOR SKIN ASM - GM/BR, 36"	1	EA	
3	009852-121	DOOR SKIN ASM - SA/BR, 36"	1	EA	
3	009852-122	DOOR SKIN ASM - SE/BR, 36"	1	EA	
3	009852-123	DOOR SKIN ASM - IB/BR, 36"	1	EA	
3	009852-124	DOOR SKIN ASM - AR/BR, 36"	1	EA	
3	009852-125	DOOR SKIN ASM - RR/BR, 36"	1	EA	
3	009852-126	DOOR SKIN ASM - PM/BR, 36"	1	EA	
3	009852-127	DOOR SKIN ASM - MS/BR, 36"	1	EA	
4	030823-000	#10-32 PAN HEAD PHILLIPS MACHINE SCREW	4	EA	
5	004907-000	STEEL FINISHING PLUG, NICKEL PLTD 25/64" HOLE	4	EA	
6	PE060105	30" J-MOLD (CHROME)	1	EA	
7	006082-000	DOOR SKIN HEAT SINK, 36"	1	EA	
8	PE060090	30" PROF. OUTER DOOR GLASS	1	EA	
9	023702-000	HOLDER, WINDOW, 30" DUAL FUEL	1	EA	Not available online / Call for pricing and availability
10	006084-000	DOOR SKIN INSULATION RETAINER, 36"	1	EA	





Item	Part No.	Name	Qty	Uom	NOTES
11	006087-000	DOOR SKIN MTG BRACKET, 36"	1	EA	Not available online / Call for pricing and availability
12	A21014003	DOOR LINER MTG. BRKT.	2	EA	
13	006808-000	HINGE, BRACKET, LH	1	EA	
14	006076-000	DOOR LINER INSULATION RETAINER, 36"	1	EA	
15	004153-000	DOOR GLASS HOLDER BRACKET	2	EA	
16	PE060094	30 WINDOW PACK	1	EA	
17	000594-000	BLACK FIBERGLASS ROPE 3/8	1	EA	
18	002713-000	LINER, DOOR, WLD, ASSY 36"	1	EA	
Not Shown	NOTE	(BEFORE 12/20/12)		EA	
18	002713-402	LINER, DOOR, WLD, ASSY 36" BK	1	EA	
Not Shown	NOTE	(ON OR AFTER 12/20/12)		EA	
19	PD020063	SCREW-#8(A) X 3/8"PH WFR HD/BK OXID	20	EA	
20	013290-000	HINGE, DOOR, VGCC36" - PINK SPRING	2	EA	

Comments for Part Num. 013290-000

CAREYSAPPLIANCE@HOTMAIL.COM on Feb 15, 2018

in door view hinges are showing 2 different hinges

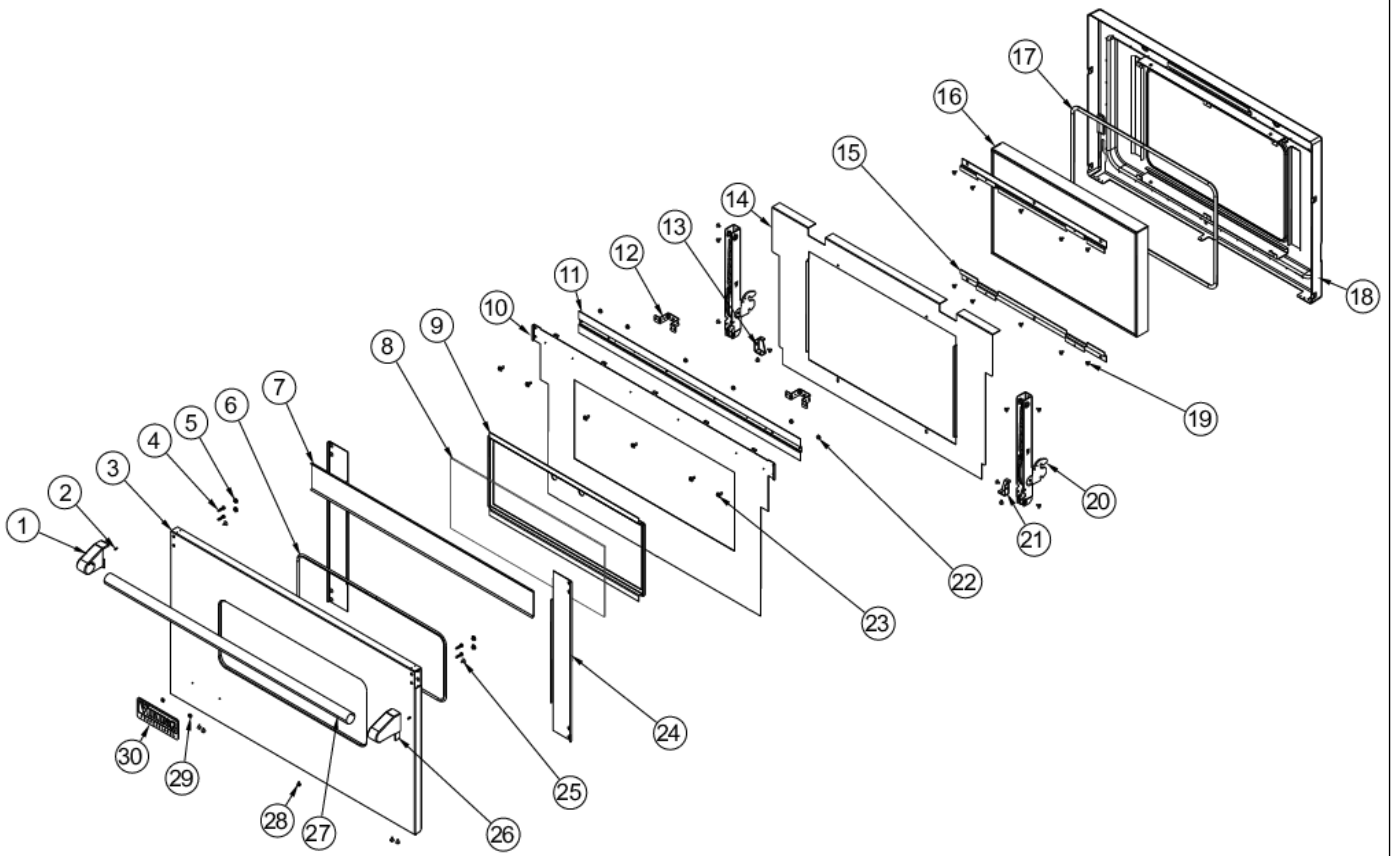
#15) part 002740-000

#17) part 013290-000

these part numbers in middleby do not cross over to each other

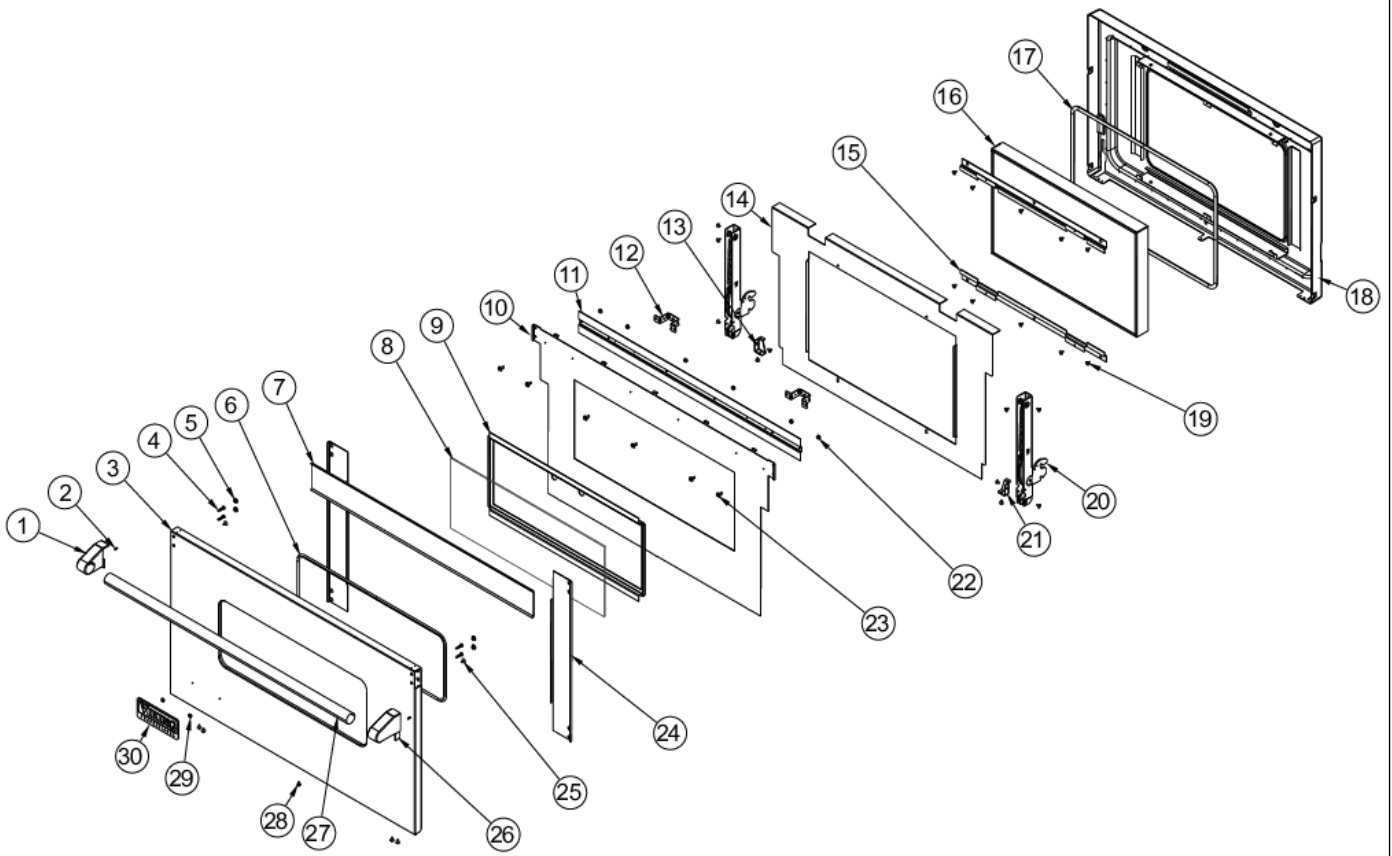
please correct with the correct part numbers Thanks Dan

21	006807-000	HINGE, BRACKET, RH	1	EA	
22	PD030010	#10-24 KEPS NUT ZINC PLATED	6	EA	
23	PD020033	SRW #10-24 X 1/2" T (23) PH WFR HD (NKL)	6	EA	
24	002726-000	DOOR SKIN SIDE BRACKET	2	EA	
25	PD020073	SRW #10 X 24 X 3/8 WAFER HD TYPE23	2	EA	
26	003012-000	DOOR HANDLE ENDCAP ASSY, RH (CHROME)	1	EA	





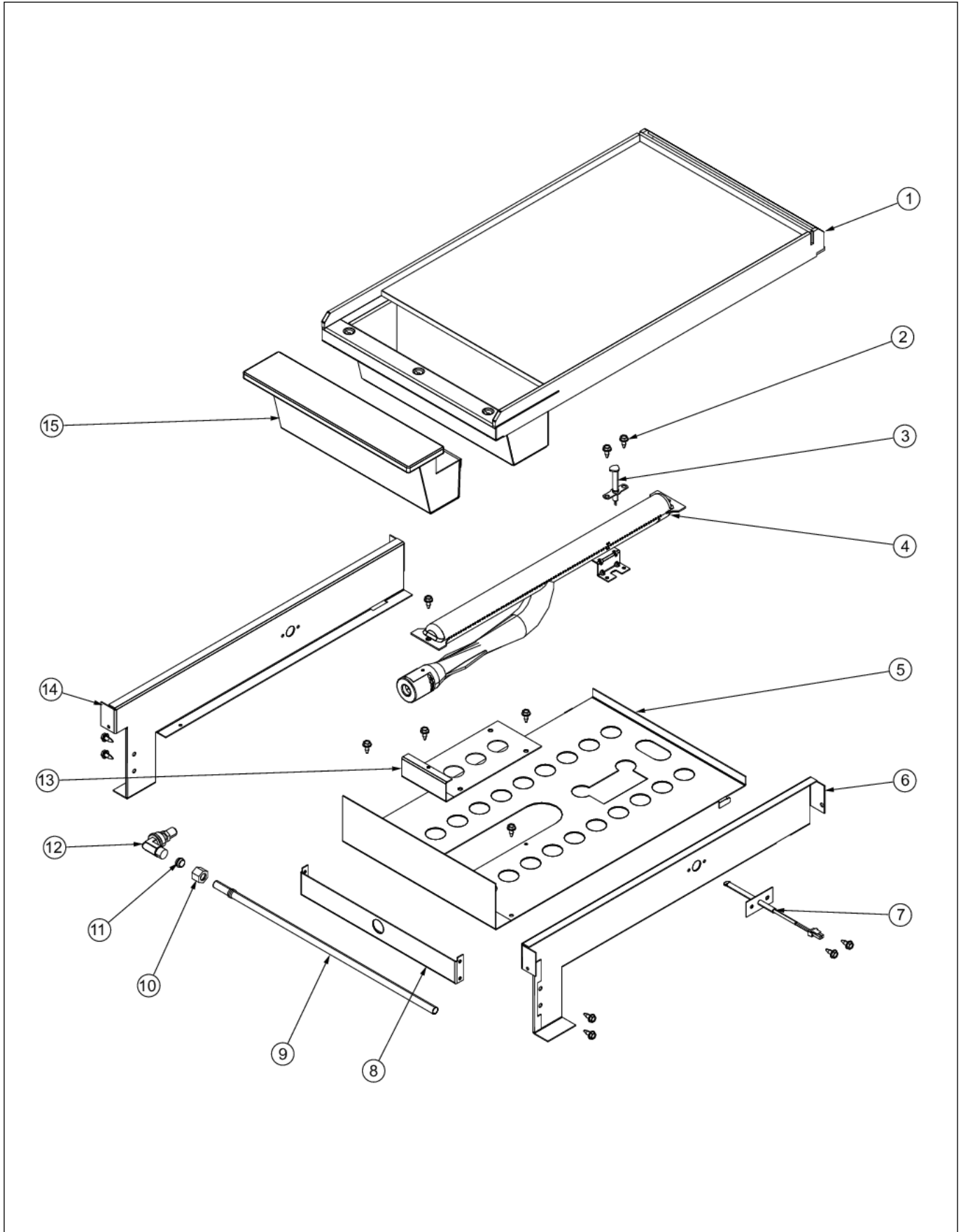
Item	Part No.	Name	Qty	Uom	NOTES
26	003012-100	DOOR HANDLE ENDCAP ASSY, RH (BRASS) - NLA	1	EA	
27	006080-000	36" DOOR HANDLE, 35.5	1	EA	
28	PD020032	SRW-8(A)X3/8"PH.WFR HD 7/16DIA*NICL	7	EA	
29	PD030006	CAPPED WASHER PAL NUT	2	EA	
30	PE010030	LOGO	1	EA	
30	PE010079	4.5" LOGO/VIKING PROF *BK/BR	1	EA	
NI	006100-000	DOOR ASSEMBLY, 36" - SS	1	EA	
NI	009915-002	DOOR ASSEMBLY, 36" - BK	1	EA	
NI	009915-002	DOOR ASSEMBLY, 36" - BK	1	EA	
NI	009915-003	DOOR ASSEMBLY, 36" - BT	1	EA	
NI	009915-004	DOOR ASSEMBLY, 36" - SG	1	EA	
NI	009915-005	DOOR ASSEMBLY, 36" - GG	1	EA	
NI	009915-006	DOOR ASSEMBLY, 36" - WH	1	EA	
NI	009915-008	DOOR ASSEMBLY, 36" - BU	1	EA	
NI	009915-009	DOOR ASSEMBLY, 36" - LE	1	EA	
NI	009915-010	DOOR ASSEMBLY, 36" - MJ	1	EA	
NI	009915-012	DOOR ASSEMBLY, 36" - VB	1	EA	
NI	009915-013	DOOR ASSEMBLY, 36" - CB	1	EA	
NI	009915-015	DOOR ASSEMBLY, 36" - PL	1	EA	
NI	009915-016	DOOR ASSEMBLY, 36" - CH	1	EA	
NI	009915-017	DOOR ASSEMBLY, 36" - TP	1	EA	
NI	009915-018	DOOR ASSEMBLY, 36" - CW NLA	1	EA	
NI	009915-019	DOOR ASSEMBLY, 36" - OG	1	EA	
NI	009915-020	DOOR ASSEMBLY, 36" - GM	1	EA	
NI	009915-021	DOOR ASSEMBLY, 36" - SA	1	EA	
NI	009915-022	DOOR ASSEMBLY, 36" - SE	1	EA	
NI	009915-023	DOOR ASSEMBLY, 36" - IB	1	EA	
NI	009915-024	DOOR ASSEMBLY, 36" - AR	1	EA	Not available online / Call for pricing and availability
NI	009915-025	DOOR ASSEMBLY, 36" - RR	1	EA	





Item	Part No.	Name	Qty	Uom	NOTES
NI	009915-026	DOOR ASSEMBLY, 36" - PM	1	EA	
NI	009915-027	DOOR ASSEMBLY, 36" - MS	1	EA	
NI	006100-100	DOOR ASSEMBLY - SS/BR, 36"	1	EA	
NI	009915-102	DOOR ASSEMBLY, 36" - BK/BR	1	EA	
NI	009915-103	DOOR ASSEMBLY, 36" - BT/BR	1	EA	
NI	009915-104	DOOR ASSEMBLY, 36" - SG/BR	1	EA	
NI	009915-105	DOOR ASSEMBLY, 36" - GG/BR	1	EA	
NI	009915-106	DOOR ASSEMBLY, 36" - WH/BR	1	EA	
NI	009915-108	DOOR ASSEMBLY, 36" - BU/BR	1	EA	
NI	009915-109	DOOR ASSEMBLY, 36" - LE/BR	1	EA	
NI	009915-110	DOOR ASSEMBLY, 36" - MJ/BR	1	EA	
NI	009915-112	DOOR ASSEMBLY, 36" - VB/BR	1	EA	
NI	009915-113	DOOR ASSEMBLY, 36" - CB/BR	1	EA	
NI	009915-115	DOOR ASSEMBLY, 36" - PL/BR	1	EA	
NI	009915-116	DOOR ASSEMBLY, 36" - CH/BR	1	EA	
NI	009915-117	DOOR ASSEMBLY, 36" - TP/BR	1	EA	
NI	009915-118	DOOR ASSEMBLY, 36" - CW/BR	1	EA	
NI	009915-119	DOOR ASSEMBLY, 36" - OG/BR	1	EA	
NI	009915-120	DOOR ASSEMBLY, 36" - GM/BR	1	EA	
NI	009915-121	DOOR ASSEMBLY, 36" - SA/BR	1	EA	
NI	009915-122	DOOR ASSEMBLY, 36" - SE/BR	1	EA	
NI	009915-123	DOOR ASSEMBLY, 36" - IB/BR	1	EA	
NI	009915-124	DOOR ASSEMBLY, 36" - AR/BR	1	EA	
NI	009915-125	DOOR ASSEMBLY, 36" - RR/BR	1	EA	
NI	009915-126	DOOR ASSEMBLY, 36" - PM/BR	1	EA	
NI	009915-127	DOOR ASSEMBLY, 36" - MS/BR	1	EA	
NI	006996-000	DOOR GASKET, 36"	1	EA	

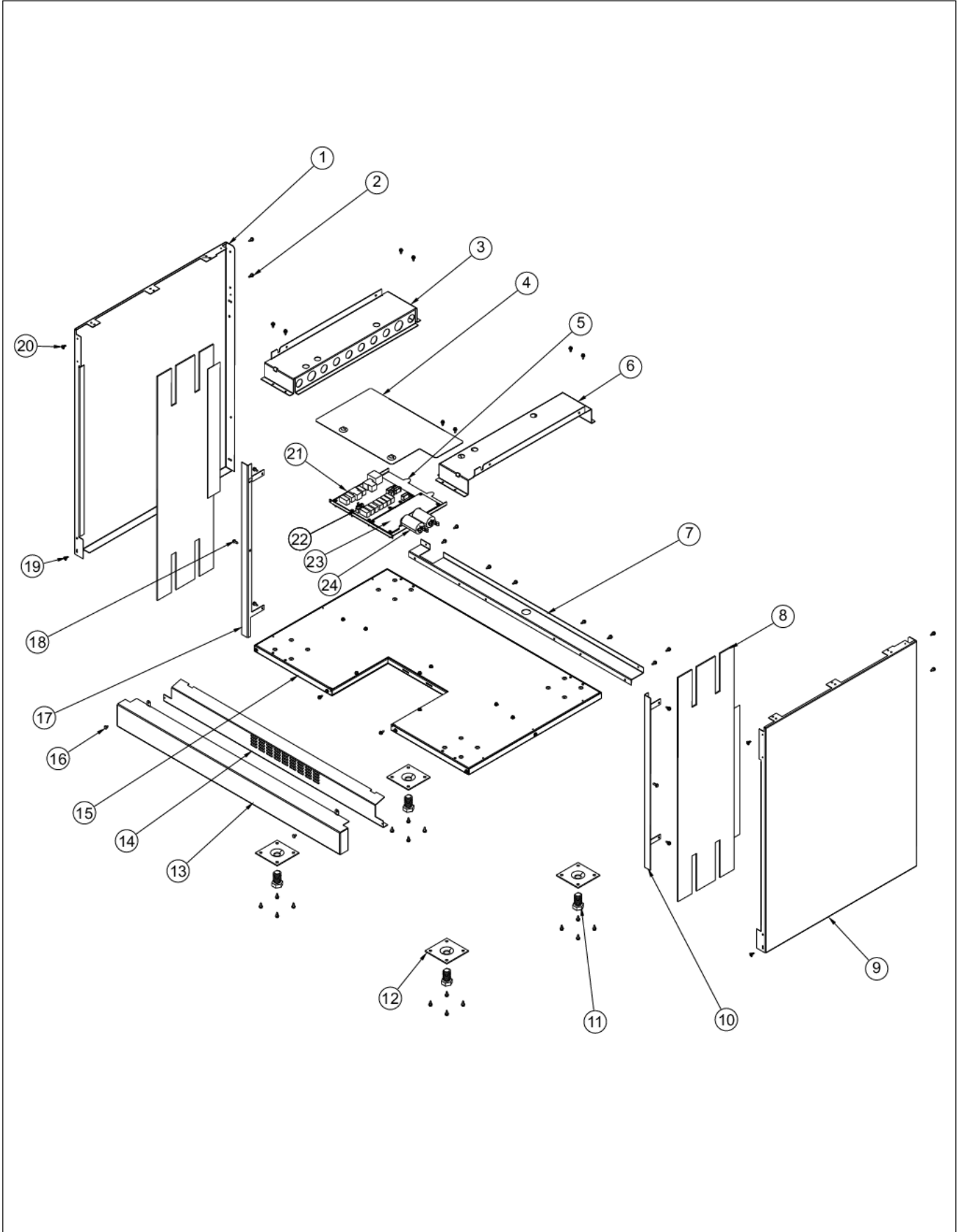
GRIDDLE ASSEMBLY





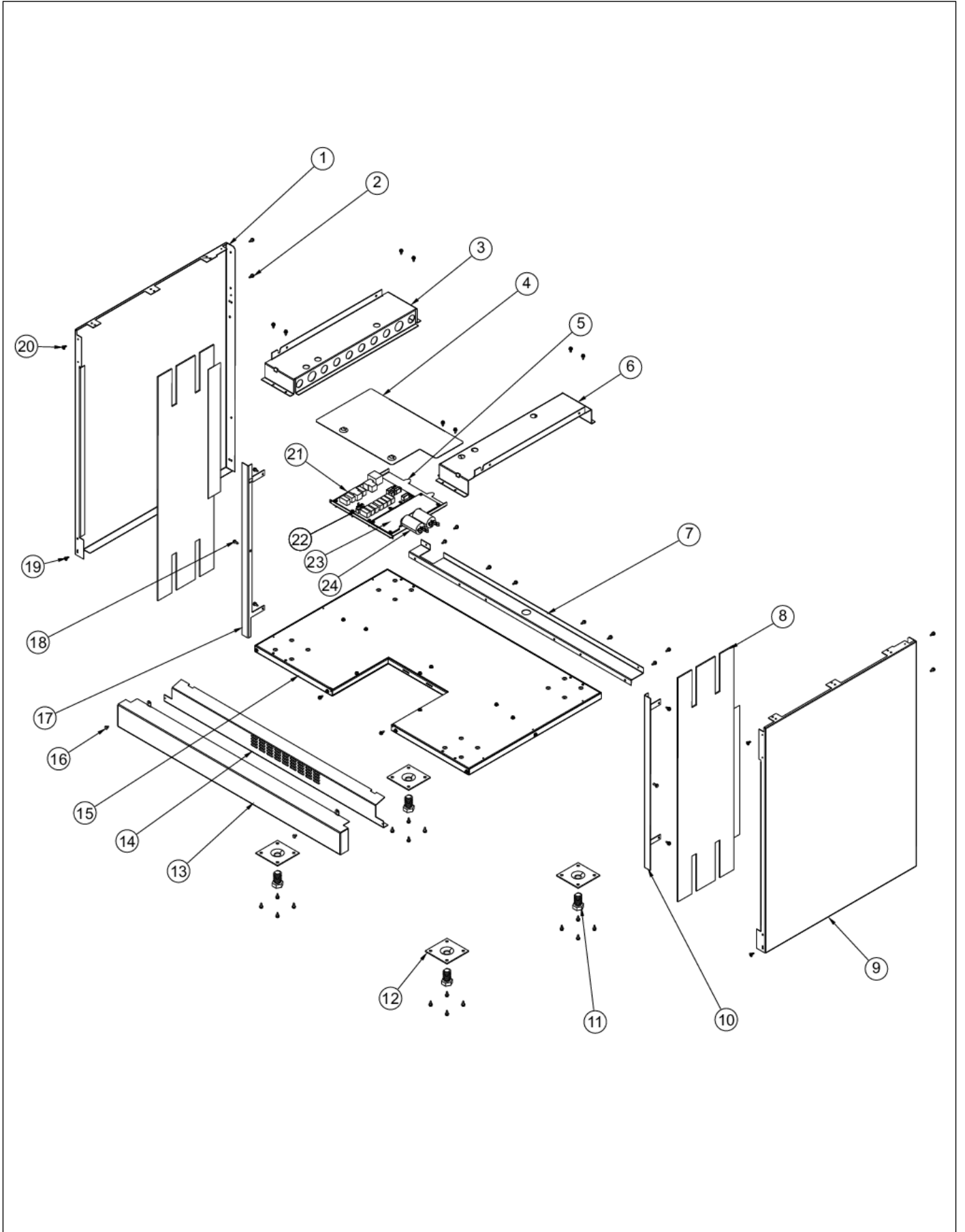
Item	Part No.	Name	Qty	Uom	NOTES
1	012291-000	GRIDDLE ASM, CUSTOM RANGES	1	EA	
2	003860-000	10-18 x .500 FASTNR,SCR,HXWH,STL,ZPLT	13	EA	
3	PA020028	SPARK IGNITER	1	EA	
4	013888-000	GRIDDLE, BURNER, ASM, NAT, W/IGNITOR BRACKET	1	EA	
4	013889-000	GRIDDLE, BURNER, ASM, LP, W/IGNITOR BRACKET	1	EA	
5	016292-000	BURNER BOX BOTTOM, GRILL	1	EA	
6	016295-000	SIDE, GRILL BOX, RH	1	EA	
7	PE050206	RTD THERMOSTAT PROBE	1	EA	
8	006783-000	GRIDDLE BRKT, ORIFICE, CUSTOM RANGES	1	EA	
9	PB020126	3/8" S.S. FLEX TUBING 15" (DGCU)	1	EA	
10	PB040213	3/8" COMPRESSION NUT (DGCU)	1	EA	
11	PB040192	3/8" CC FERREL (DGCU)	1	EA	
12	PB040190	90 DEGREE ORIFICE FITTING #50 NAT	1	EA	
13	006785-000	GRIDDLE, BOX, VENTURI, COVER	1	EA	
14	016293-000	GRIDDLE SUPPORT, LEFT	1	EA	
15	023451-000	TROUGH, ASM	1	EA	

LOWER UNIT AND SIDE PANEL





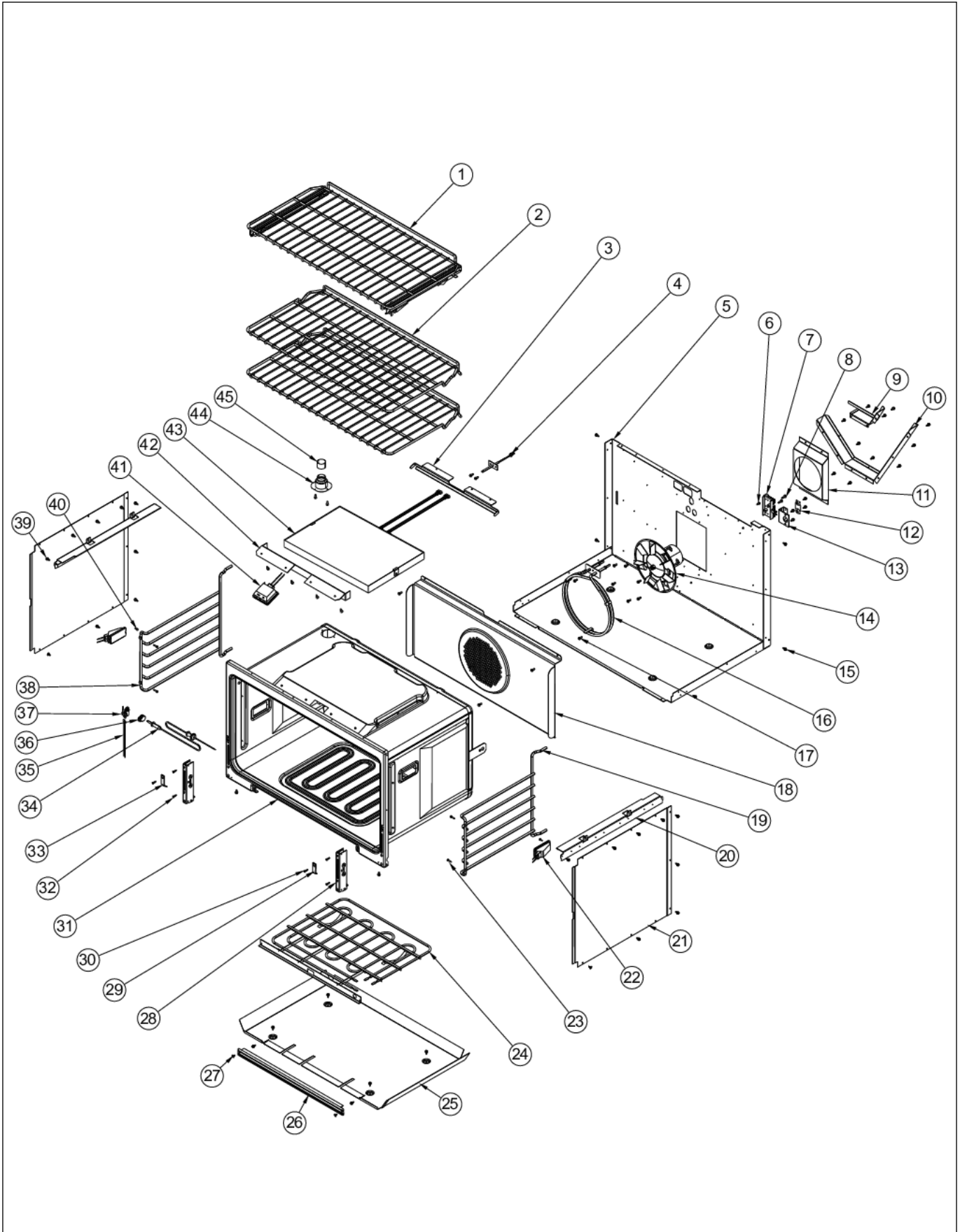
Item	Part No.	Name	Qty	Uom	NOTES
1	003588-000	SIDE PANEL, LH	1	EA	
2	003860-000	10-18 x .500 FASTNR,SCR,HXWH,STL,ZPLT	42	EA	
3	003763-000	OVEN MODULE SUPPORT CHANNEL, LH	1	EA	
4	024909-000	SHIELD, WRG	1	EA	
5	015096-000	PLATE, MTG, EOC4 CONTROL BOARD	1	EA	
NI	024909-000	SHIELD, WRG	1	EA	
6	003761-000	OVEN MODULE SUPPORT CHANNEL, RH	1	EA	
7	004503-000	BASE, LEDG, BACK, 36"	1	EA	
8	007488-000	SINK, REAR, SIDE	2	EA	
9	002905-000	SIDE PANEL, RH	1	EA	
10	004606-000	OVEN, TRIM, FR, SIDE, RH, 36"	1	EA	
11	PD010022	HEX HD. BOLT - 3/4-10 X 1-1/4"	4	EA	
12	PC030007	LEG PLATE - 3/4" THREADED HOLE	4	EA	
13	005382-000	KICKPLATE, SS, VDSC36	1	EA	
14	051833-000	GRILL, ACS, LWR, 36"	1	EA	
15	003329-000	RANGE, BASE, ASM, 36"	1	EA	Not available online / Call for pricing and availability
16	PD020032	SRW-8(A)X3/8"PH.WFR HD 7/16DIA*NICL	2	EA	
17	004607-000	OVEN, TRIM, FR, SIDE, LH, 36"	1	EA	
18	PD020048	NO.10 X 1/2 TEK 410 SS SCREW	2	EA	
19	003801-000	SHOULDER SCREW, #10	2	EA	
20	014143-000	SCR 10-12 A SHLD TRP 1/2 S ZN BLUE	2	EA	
21	046142-556	CONTROL, EOC4, LED, V39/V51 & FAMILY	1	EA	
22	PE070763	10 POSITION 30" L.O.	1	EA	
23	038417-000	EOC4 POWER SUPPLY BOARD, CB	1	EA	
24	036047-000	CAPACITOR, CONV MOTOR, INTL	2	EA	



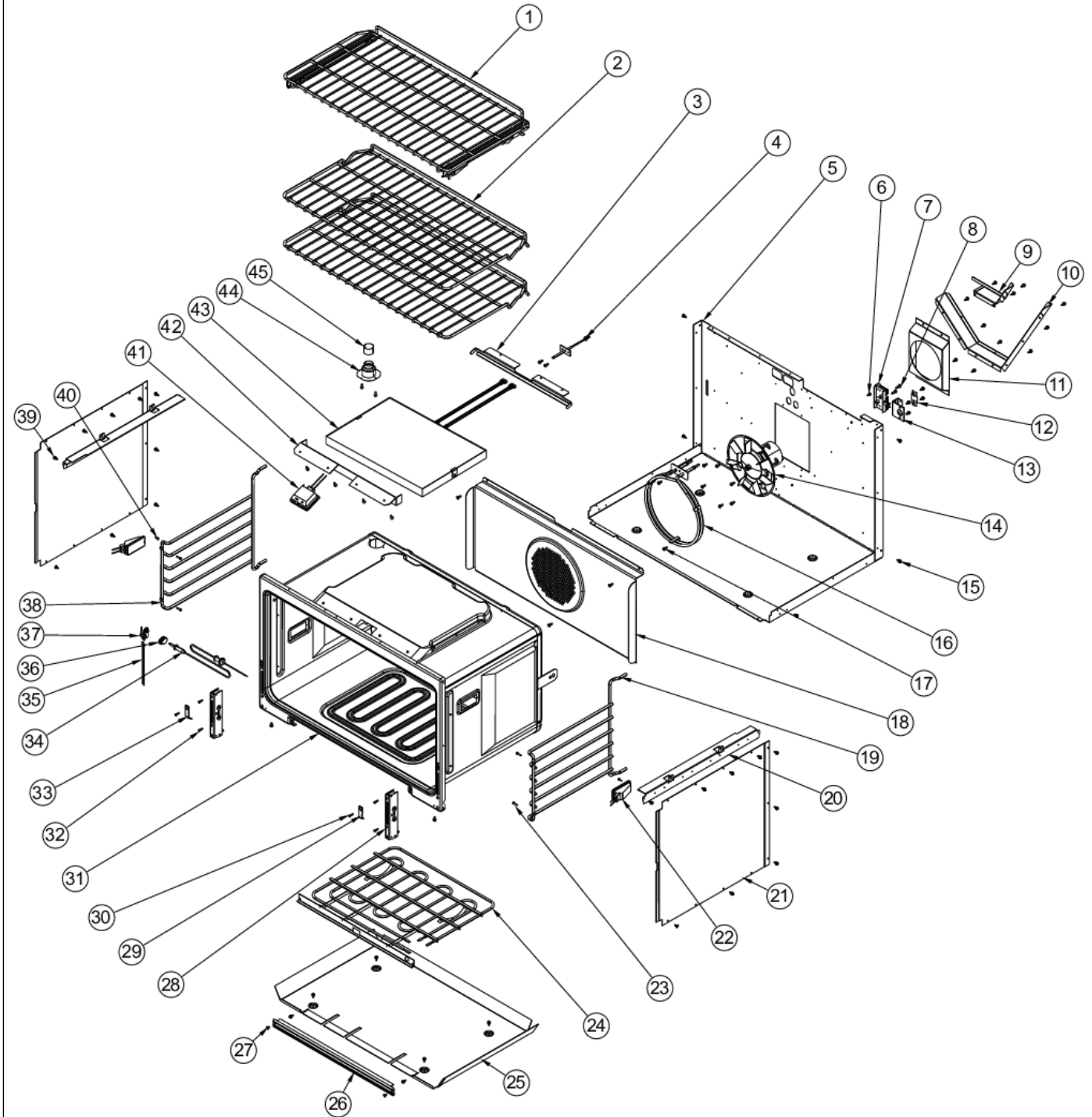


Item	Part No.	Name	Qty	Uom	NOTES
NI	PD020043	#6-32 X .750 PH. CTRSK T(F)-VGSO166	13	EA	
Not Shown	NOTE	(USED TO INSTALL BOARDS)		EA	
NI	PD030172	M8 X 1.25MM NUT	2	EA	
Not Shown	NOTE	(USED TO INSTALL CAPACITOR)		EA	
NI	PD040164	5/16 INTERNAL TOOTH LOCK WASHER TYPE A	2	EA	
Not Shown	NOTE	(USED TO INSTALL CAPACITOR)		EA	

OVEN CAVITY



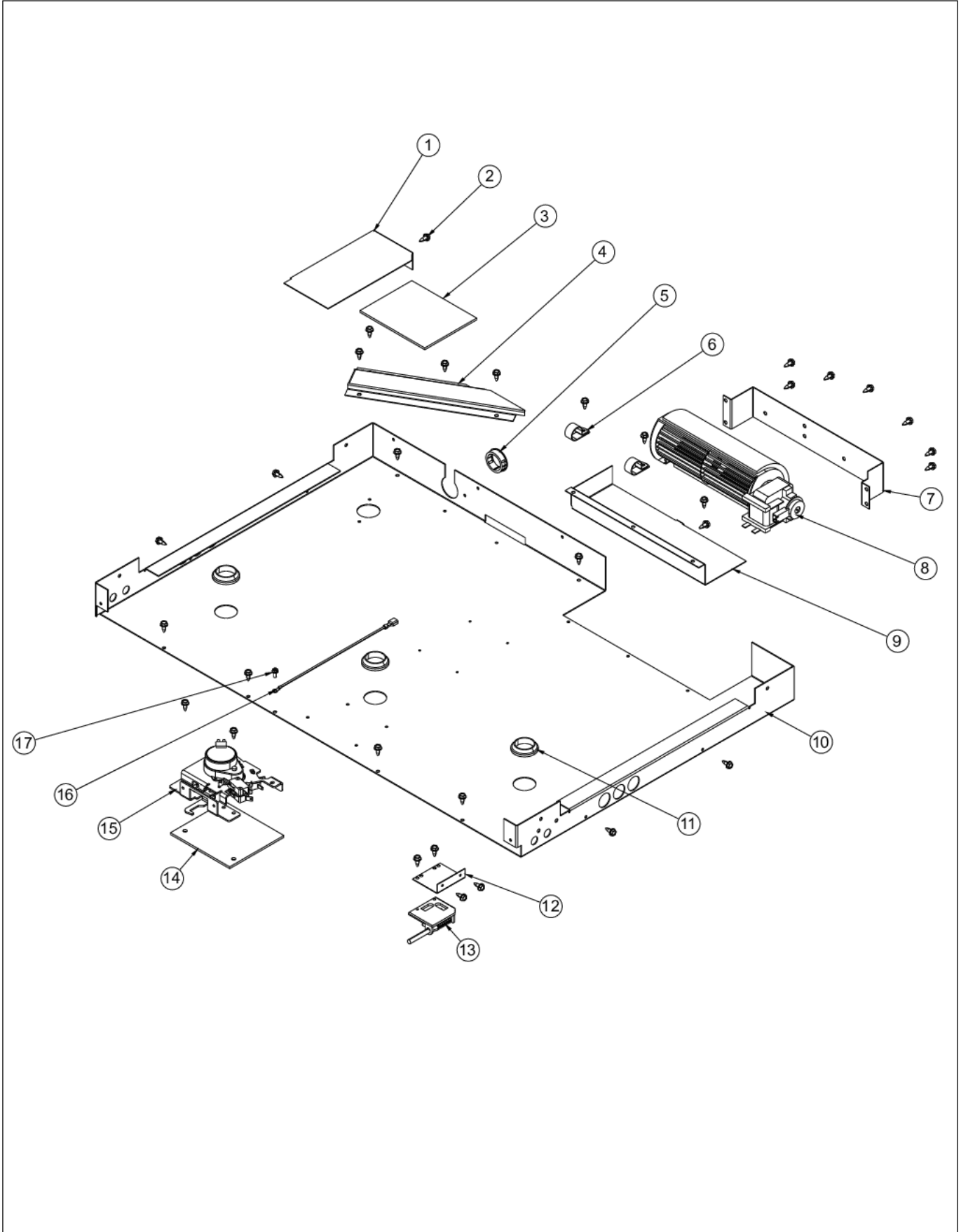
Item	Part No.	Name	Qty	Uom	NOTES
1	024668-000	RACK PULLOUT ASM 36"	1	EA	
2	041047-000	RACK, DF, PRO, 36"	2	EA	
3	024221-000	BRACKET, BROILER, REAR	1	EA	
4	PE050206	RTD THERMOSTAT PROBE	1	EA	
5	004542-000	OVEN BOTTOM BACK WRAP, 36"	1	EA	
6	PD020010	10 X 3/8 GREEN GROUNDING SCREW	1	EA	
7	PE070147	TERMINAL BLOCK (VDSC)	1	EA	
8	PD020014	10X3/4 PH TR HD SMS	2	EA	
9	003356-000	DIVERTER, AIR	1	EA	
10	002941-000	BAFFLE, FAN, REAR	1	EA	
11	A2009697	BRACKET, CONVECTION INSULATION	1	EA	
12	A1002457	POWER CORD MOUNTING STRAP (VDSC)	1	EA	
13	A2002195	POWER CORD MOUNTING BRKT (VDSC)	1	EA	
14	G32014020	CONVECTION FAN ASSY	1	EA	
15	003860-000	10-18 x .500 FASTNR,SCR,HXWH,STL,ZPLT	45	EA	
16	PJ010047	CONVECTION ELEMENT	1	EA	
17	PD020048	NO.10 X 1/2 TEK 410 SS SCREW	19	EA	
18	006177-000	BAFFLE, CNVN, ASM, VDSC 36"	1	EA	
19	066478-402	SUPPORT, RACK, RHS, PORCELAIN	1	EA	
20	A2009641	BRKT, TOP WRAPPER	2	EA	
21	014137-000	WRAPPER, OVEN SIDE	2	EA	
22	005311-000	LAMP, OVEN, 120V/25W	2	EA	
23	PD020232	#8 X 3/4" PH PAN HEAD TEK SCREW (BLACK OXIDE)	4	EA	
24	PJ010048	BAKE ELEMENT	1	EA	
25	004541-000	ELEMENT, MTG TRAY 36"	1	EA	
26	E9109655	COVER, BAKE TRAY	1	EA	
27	PD020063	SCREW-#8(A) X 3/8"PH WFR HD/BK OXID	2	EA	
28	031679-000	RECEPTACLE, HINGE	2	EA	





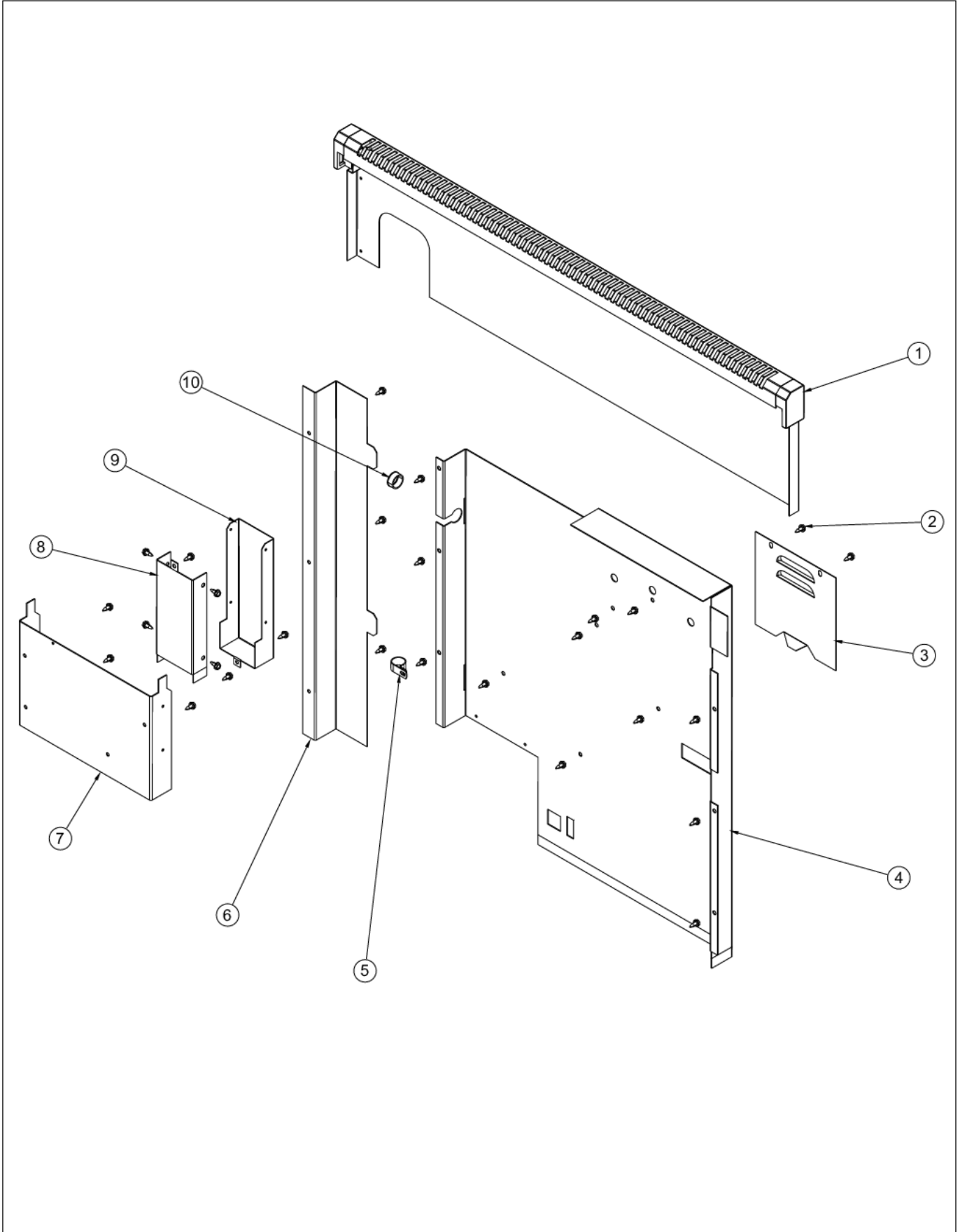
Item	Part No.	Name	Qty	Uom	NOTES
29	B21010915	HINGE CLIP - RH	1	EA	
30	PD020061	' #8 X 3/4 FLAT HD TEK. *SS*	2	EA	
31	UNSERVICEABLE	OVEN CAVITY, ASM 36"	1	EA	
32	PD020062	#8-32 X 3/8 PHMS TYPE 1	4	EA	
33	B21010916	HINGE CLIP - LH	1	EA	
34	PE050114	MEAT PROBE (DESO/DEDO) (SWITCHCRAFT'S PART # 4C7919)	1	EA	
35	PE070735	MEAT PROBE HARNESS	1	EA	
36	PM010160	MEAT PROBE JACK COVER (SWITCHCRAFT'S PART# 2C1098)	1	EA	
37	PE050115	MEAT PROBE JACK (SWITCHCRAFT'S PART# 3J1505)	1	EA	
<p>Comments for Part Num. PE050115</p> <p>bradleysapplianceservice@shaw.ca on May 8, 2017 Meat probe is not illustrated on Parts Break Down. PE050114 MEAT PROBE</p>					
38	066479-402	SUPPORT, RACK, LHS, PORCELAIN	1	EA	
39	014143-000	SCR 10-12 A SHLD TRP 1/2 S ZN BLUE	2	EA	
40	PD020067	' #6 X 3/8" PAN PHIL. TEK *SS*	2	EA	
41	020403-000	LAMP, OVEN, 120V/40W	1	EA	
42	024234-000	BRACKET, BROILER, FRONT	1	EA	
43	024040-000	ELEMENT, RIBBON	1	EA	
<p>Comments for Part Num. 024040-000</p> <p>jhobbs@kimballinc.com on Jan 4, 2019 Please Correct the part number on this (057872-000)</p>					
44	PM010014	SMOKE ELIMINATOR (VDSC)	1	EA	
45	PB020275	VENT TUBE	1	EA	

OVEN ELECTRONICS



Item	Part No.	Name	Qty	Uom	NOTES
1	004016-000	PLATE,SVCE,RGLT	1	EA	
2	003860-000	10-18 x .500 FASTNR,SCR,HXWH,STL,ZPLT	32	EA	
3	004285-000	INSULATION, FOIL- BACKED,4"x5"	1	EA	
4	004698-000	FLUE DUCT, VDSC36"	1	EA	
5	PD040152	SNAP BUSHING	1	EA	
6	PD030109	INSULATED CLAMP	1	EA	
7	004110-000	Blower Mount	1	EA	
8	PE050250	Blower	1	EA	
Comments for Part Num. PE050250 highendappsvc@gmail.com on Jan 28, 2019 If you need to replace cooling fan for the model vgsc5486gss serial date code 031412, do not order this fan, this fan is larger and configured wrong. The correct fan is 007794-000. it is smaller.					
Not Shown	NOTE	(BEFORE 8/10/2013)		EA	
8	018607-000	FAN, BLO, 220-240V 50/60Hz ASM (MT1664)	1	EA	
Not Shown	NOTE	(ON OR AFTER 8/10/2013)		EA	
9	A2009659	Blower Bracket	1	EA	
10	004547-000	RANGE TOP BRACE, AIR CHANNEL, 36"	1	EA	
11	PB070079	SILICONE EXTRUSION (DGSU)	3	EA	
12	A20012649	DOOR SWITCH BRACKET	1	EA	
13	PE050208	DOOR SWITCH	1	EA	
14	013564-000	LOWER LATCH INSULATION	1	EA	
15	013250-000	LATCH,DOOR,ASM,240V,GRID DLE LOCKOUT	1	EA	
Not Shown	NOTE	(BEFORE 10/31/13)		EA	
15	039293-000	LATCH, ELEC, 240V, ASSY	1	EA	
Not Shown	NOTE	(ON OR AFTER 10/31/13)		EA	
16	G4000936	GROUND WIRE	1	EA	
17	PD020010	10 X 3/8 GREEN GROUNDING SCREW	1	EA	

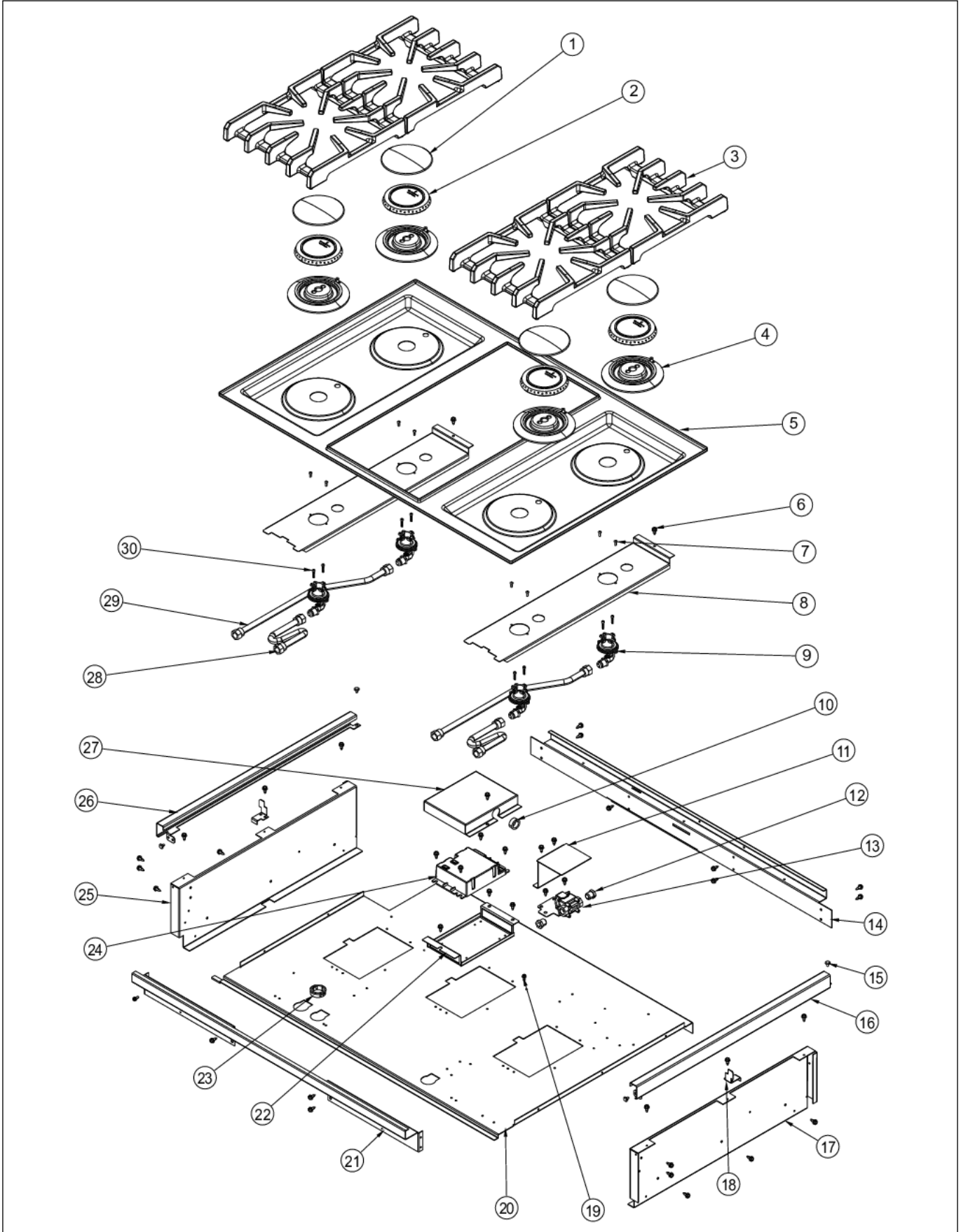
REAR SHEET METAL



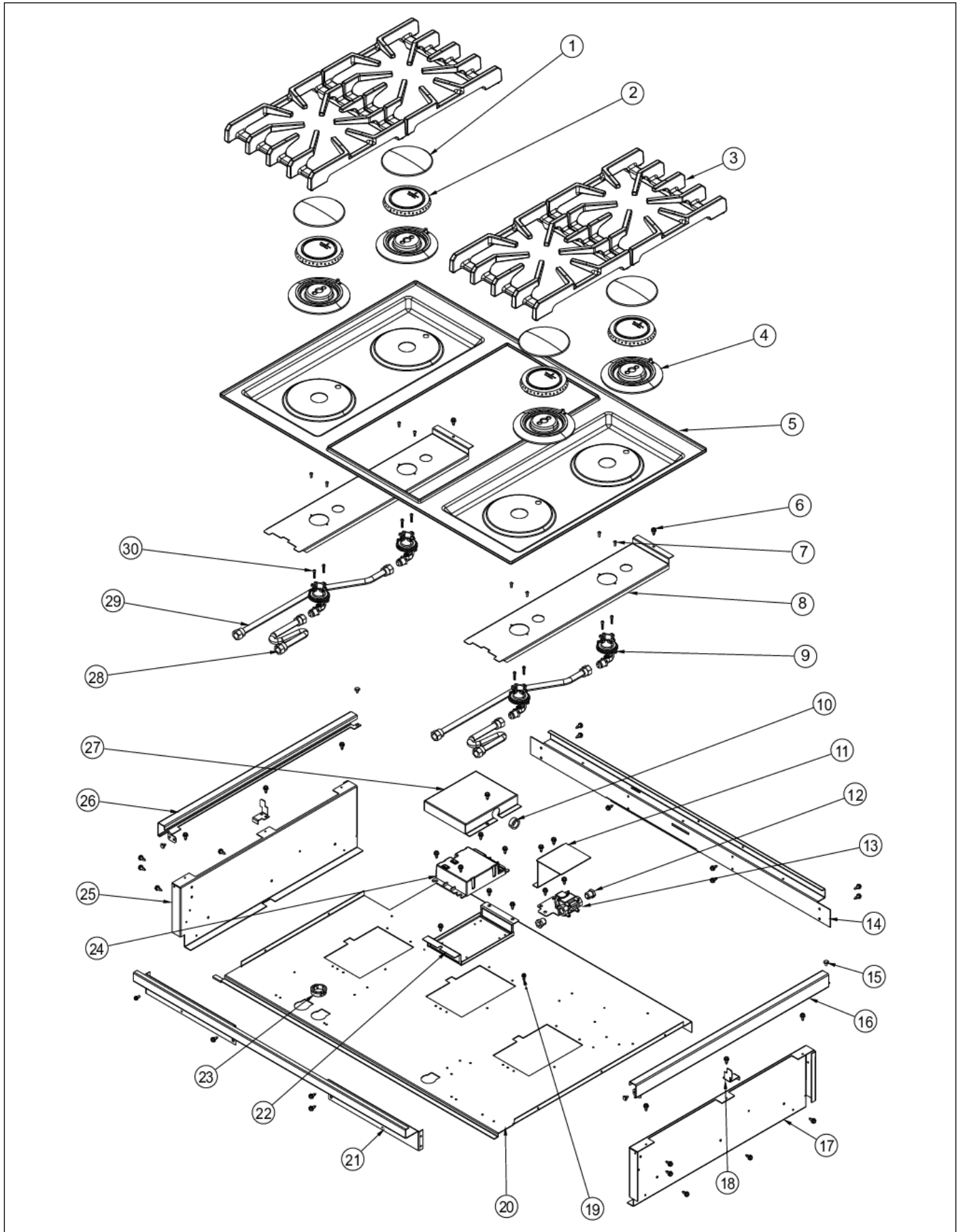


Item	Part No.	Name	Qty	Uom	NOTES
1	041505-000	ISLAND TRIM, ASM, 36" CUSTOM	1	EA	
2	003860-000	10-18 x .500 FASTNR,SCR,HXWH,STL,ZPLT	27	EA	
3	A2002454	BACK, COVER ACCESS DOOR	1	EA	
4	003272-000	COVER, BACK- INTERNATIONAL	1	EA	
5	PD030109	INSULATED CLAMP	1	EA	
6	003245-000	CHANNEL, WIRE, REAR	1	EA	
7	003681-000	DUCT, AIR	1	EA	
8	A20010102	FLUE, CENTER EXTENDED	1	EA	
9	A20010101	FLUE, OUTSIDE SHELL	1	EA	
10	PD040005	SNAP BUSHING - 7/8"	1	EA	
NI	A2002654	ANTI-TIP DEVICE (VDSC)	1	EA	

SURFACE COOKING AREA

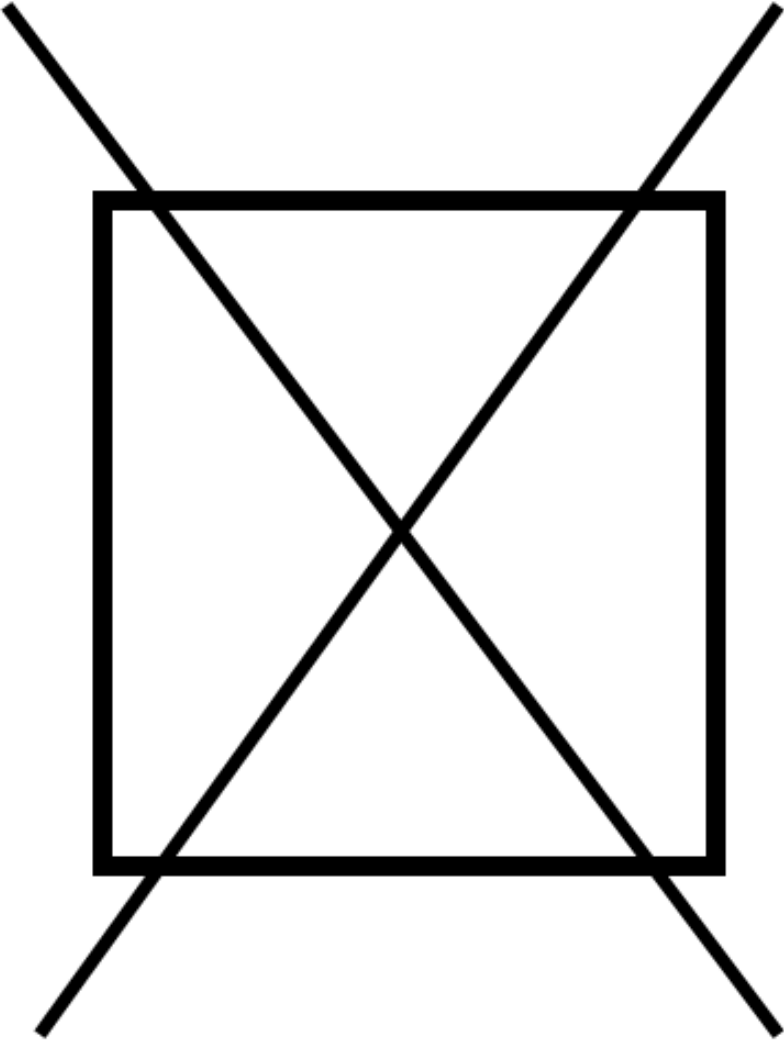


Item	Part No.	Name	Qty	Uom	NOTES
1	PA080083	D BURNER CAP *MATTE BLACK*	4	EA	
2	018200-000	ADJUSTED SEALED BURNER HEAD	4	EA	
3	007323-000	BURNER GRATE	4	EA	
Not Shown	NOTE	(BEFORE 11/21/14)		EA	
3	049420-000	GRATE, BURNER, ASM	4	EA	
Not Shown	NOTE	(ON OR AFTER 11/21/14)		EA	
NI	PD040075	RUBBER FOOT	16	EA	
Not Shown	NOTE	(BEFORE 11/21/14)		EA	
NI	049416-000	BUMPER, GRATE	16	EA	
Not Shown	NOTE	(ON OR AFTER 11/21/14)		EA	
4	003322-041	SEALED BURNER BASE, PAINTED FINISH- GRAY	4	EA	
5	E9108438BK	MAIN TOP (VGRT4G/Q) *BK*	1	EA	
6	003860-000	10-18 x .500 FASTNR,SCR,HXWH,STL,ZPLT	39	EA	
7	PD020076	6-32 X 3/8" PHILL PAN MS	8	EA	
8	002923-000	BURNER MODULE SUPPORT	2	EA	
9	001394-042	15000 BTU NAT JETHOLDER	4	EA	
9	001394-046	12.5 K BTU LP JETHOLDER	4	EA	
10	PD040005	SNAP BUSHING - 7/8"	1	EA	
11	009402-000	SOLENOID HEAT SHIELD COVER	1	EA	
12	PB040050	3/8CC MALE COMP. FITTING W/FERRULE	2	EA	
13	009111-000	VALVE, SOL, SINGLE	1	EA	
14	004602-000	REAR SUPPORT, BURNER BOX 36"	1	EA	
15	PD020032	SRW-8(A)X3/8"PH.WFR HD 7/16DIA*NICL	4	EA	
16	002920-000	TOP TRIM RING, RH	1	EA	
17	002755-000	BURNER BOX SIDE, RH	1	EA	
18	004021-000	SUPPORT,TRIM,SIDE	2	EA	



Item	Part No.	Name	Qty	Uom	NOTES
19	PD020010	10 X 3/8 GREEN GROUNDING SCREW	1	EA	
20	014116-000	BURNER BOX, BTM, VDSC536T	1	EA	
Not Shown	NOTE	(BEFORE 1/26/11)		EA	
20	024659-000	BURNER,BOX,BOT,VDSC536T	1	EA	
Not Shown	NOTE	(ON OR AFTER 1/26/11)		EA	
21	004603-000	FRONT SUPPORT, BURNER BOX 36"	1	EA	
22	024301-000	BOARD, DSI, CRADLE	1	EA	
22	026766-000	CRADLE, DSI, SERVICE	1	EA	
23	PD040152	SNAP BUSHING	1	EA	
24	PA020056	NLA - See TC-0063D-SP for kit number (see comments)	1	EA	
Not Shown	NOTE	(BEFORE 1/26/11)		EA	
24	023651-000	DSI120-2-LVS	1	EA	
Not Shown	NOTE	(ON OR AFTER 1/26/11)		EA	
25	003481-000	BURNER BOX SIDE, LH	1	EA	
26	003649-000	TOP TRIM RING, LH	1	EA	
27	009267-000	COVER, FLAT,DSI, RAISED, 6G	1	EA	
Not Shown	NOTE	(BEFORE 1/26/11)		EA	
27	024305-000	COVER, DSI, 6G	1	EA	
Not Shown	NOTE	(ON OR AFTER 1/26/11)		EA	
27	026526-000	COVER, DSI BOARD, SERVICE	1	EA	
28	PB020192	10" FLEX TUBING W/CONNECTORS	2	EA	
29	PB020193	16" FLEX TUBING W/CONNECTORS	2	EA	
30	009197-000	#6-32 X 5/8 18-8 SS NC SOC CAP	8	EA	

NON ILLUSTRATED PART





Item	Part No.	Name	Qty	Uom	NOTES
NI	024909-000	SHIELD, WRG	1	EA	
NI	015103-000	HARNESS,TEST,VDSC-T MODELS	1	EA	
NI	PE070735	MEAT PROBE HARNESS	1	EA	
NI	015100-000	Ribbon Cable, UI to EOC4 board	1	EA	
NI	015103-000	HARNESS,TEST,VDSC-T MODELS	1	EA	
NI	G4000936	GROUND WIRE	1	EA	
NI	PE070739	BAKE ELEMENT HARNESS	1	EA	
NI	000647-000	IRIS IGNITOR WIRE, FRONT BURNER	2	EA	
NI	006766-000	IRIS IGNITOR WIRE, BACK BURNER	2	EA	
NI	000647-000	IRIS IGNITOR WIRE, FRONT BURNER	1	EA	
NI	006766-000	IRIS IGNITOR WIRE, BACK BURNER	1	EA	
NI	PE070658	IGNITOR WIRE KIT	2	EA	
NI	003245-000	CHANNEL, WIRE, REAR	1	EA	
NI	009665-000	GRIDDLE, POWER, HARNESS, VDSC CUSTOM	1	EA	
Not Shown	NOTE	(BEFORE 1/26/11)		EA	
NI	036200-000	HARNESS. W/ GRIDDLE	1	EA	
Not Shown	NOTE	(ON OR AFTER 1/26/11)		EA	



Appendix A:Pages Index

CONTROL AREA 1
DOOR ASSEMBLY 2
GRIDDLE ASSEMBLY 3
LOWER UNIT AND SIDE PANEL 4
OVEN CAVITY 5
OVEN ELECTRONICS 6
REAR SHEET METAL 7
SURFACE COOKING AREA 8
WIRING 9



Appendix B:Parts Index

000594-000	2	004602-000	8
000647-000	9, 9	004603-000	8
001394-042	8	004606-000	4
001394-046	8	004607-000	4
002713-000	2	004698-000	6
002713-402	2	004907-000	2
002726-000	2	005269-000	1
002755-000	8	005311-000	5
002905-000	4	005382-000	4
002920-000	8	006076-000	2
002923-000	8	006079-000	2
002941-000	5	006080-000	2
003011-000	2	006082-000	2
003011-100	2	006084-000	2
003012-000	2	006087-000	2
003012-100	2	006094-100	2
003245-000	7, 9	006100-000	2
003272-000	7	006100-100	2
003322-041	8	006177-000	5
003329-000	4	006313-000	1
003356-000	5	006570-000	1
003481-000	8	006766-000	1, 9, 9
003588-000	4	006783-000	3
003649-000	8	006785-000	3
003650-000	2	006807-000	2
003681-000	7	006808-000	2
003719-000	1	006996-000	2
003761-000	4	007147-000	1
003763-000	4	007323-000	8
003801-000	4	007488-000	4
003860-000	1, 3, 4, 5, 6, 7, 8	009111-000	8
004016-000	6	009197-000	8
004021-000	8	009267-000	8
004110-000	6	009402-000	8
004153-000	2	009665-000	9
004285-000	6	009852-002	2
004503-000	4	009852-003	2
004541-000	5	009852-004	2
004542-000	5	009852-005	2
004547-000	6	009852-006	2
		009852-008	2



009852-009	2	009915-003	2
009852-010	2	009915-004	2
009852-012	2	009915-005	2
009852-013	2	009915-006	2
009852-015	2	009915-008	2
009852-016	2	009915-009	2
009852-017	2	009915-010	2
009852-018	2	009915-012	2
009852-019	2	009915-013	2
009852-020	2	009915-015	2
009852-021	2	009915-016	2
009852-022	2	009915-017	2
009852-023	2	009915-018	2
009852-024	2	009915-019	2
009852-025	2	009915-020	2
009852-026	2	009915-021	2
009852-027	2	009915-022	2
009852-102	2	009915-023	2
009852-103	2	009915-024	2
009852-104	2	009915-025	2
009852-105	2	009915-026	2
009852-106	2	009915-027	2
009852-108	2	009915-102	2
009852-109	2	009915-103	2
009852-110	2	009915-104	2
009852-112	2	009915-105	2
009852-113	2	009915-106	2
009852-115	2	009915-108	2
009852-116	2	009915-109	2
009852-117	2	009915-110	2
009852-118	2	009915-112	2
009852-119	2	009915-113	2
009852-120	2	009915-115	2
009852-121	2	009915-116	2
009852-122	2	009915-117	2
009852-123	2	009915-118	2
009852-124	2	009915-119	2
009852-125	2	009915-120	2
009852-126	2	009915-121	2
009852-127	2	009915-122	2
009915-002	2, 2	009915-123	2



009915-124	2	024305-000	8
009915-125	2	024659-000	8
009915-126	2	024668-000	5
009915-127	2	024909-000	4, 4, 9
010348-000	1	026468-000	1
011637-000	1	026526-000	8
012291-000	3	026766-000	8
013250-000	6	030823-000	2
013290-000	2	031679-000	5
013386-000	1	035881-000	1
013564-000	6	035883-000	1
013888-000	3	035900-000	1
013889-000	3	036047-000	4
013950-000	1	036200-000	9
013995-000	1	038417-000	4
013997-000	1	039293-000	6
014116-000	8	041047-000	5
014137-000	5	041505-000	7
014143-000	4, 5	046142-556	4
015096-000	4	049416-000	8
015100-000	9	049420-000	8
015103-000	9, 9	050172-000	1
015170-000	1	051833-000	4
015174-000	1	066478-402	5
016292-000	3	066479-402	5
016293-000	3	A1002457	5
016295-000	3	A20010101	7
018200-000	8	A20010102	7
018607-000	6	A20012649	6
020403-000	5	A2002195	5
020513-000	1	A2002454	7
020620-000	1	A2002654	7
020628-000	1	A2009641	5
020660-000	1	A2009659	6
023451-000	3	A2009697	5
023651-000	8	A21014003	2
023702-000	2	B21010915	5
024040-000	5	B21010916	5
024221-000	5	E9108438BK	8
024234-000	5	E9109655	5
024301-000	8	G32014020	5



G4000936	6, 9	PD040005	7, 8
PA020028	3	PD040075	8
PA020056	8	PD040152	6, 8
PA020058	1	PD040164	4
PA070003	1	PE010030	2
PA080083	8	PE010079	2
PB020111	1	PE050114	5
PB020112	1	PE050115	5
PB020126	3	PE050206	3, 5
PB020192	8	PE050208	6
PB020193	8	PE050250	6
PB020275	5	PE060090	2
PB040050	8	PE060094	2
PB040190	3	PE060105	2
PB040192	1, 3	PE070147	5
PB040213	1, 3	PE070658	9
PB070079	6	PE070735	5, 9
PC030007	4	PE070739	9
PD010003	1	PE070763	4
PD010012	1	PJ010047	5
PD010022	4	PJ010048	5
PD020010	5, 6, 8	PM010014	5
PD020014	5	PM010160	5
PD020032	1, 2, 4, 8		
PD020033	1, 2		
PD020043	4		
PD020044	1		
PD020046	1		
PD020048	4, 5		
PD020061	5		
PD020062	5		
PD020063	2, 5		
PD020067	5		
PD020073	2		
PD020076	8		
PD020232	5		
PD030006	2		
PD030010	2		
PD030109	6, 7		
PD030172	4		
PD040004	1		