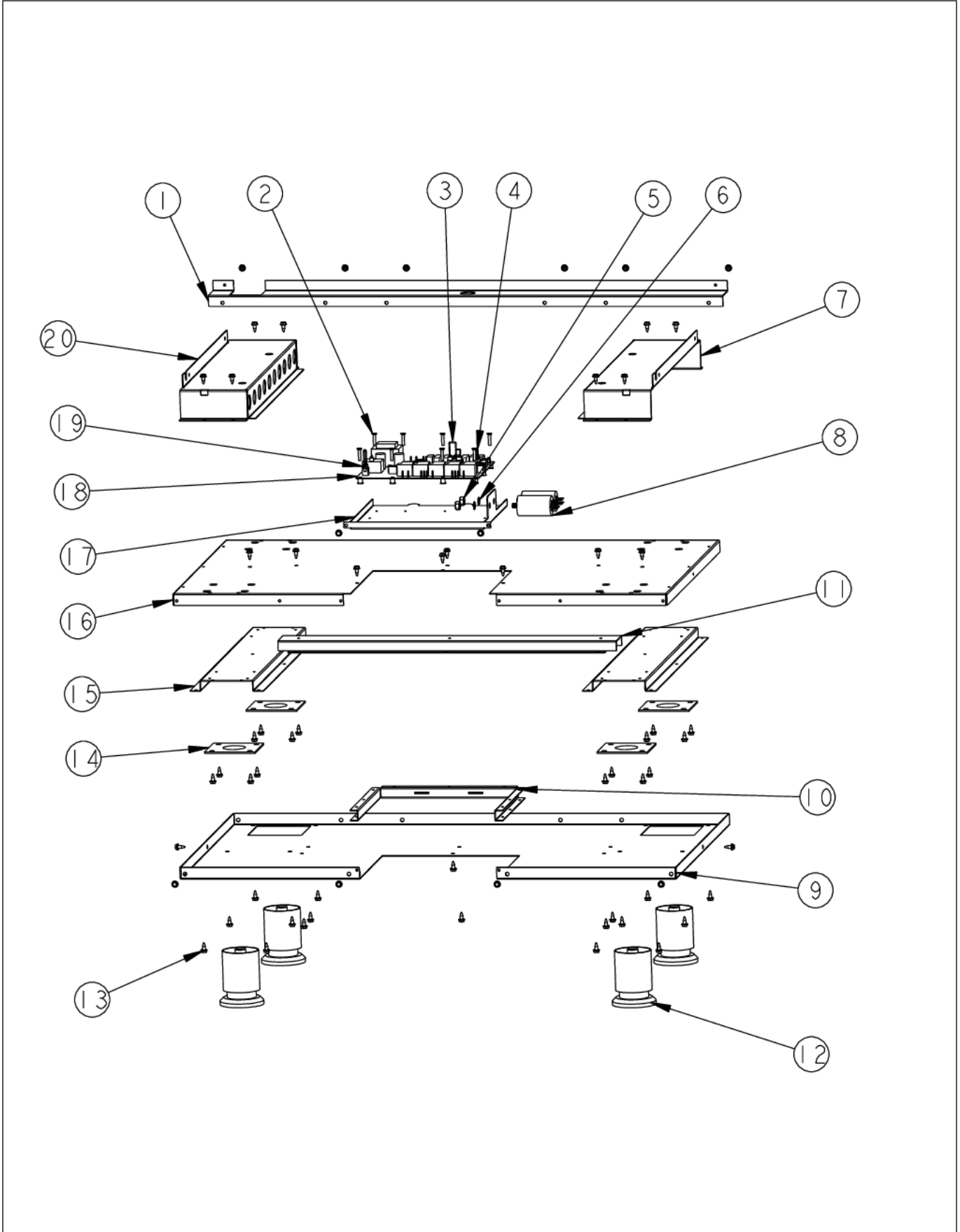


# **VDSC536-4G**

BASE ASSY .....	1
BURNER BOX .....	2
BURNER SURFACE .....	3
CONTROL PANEL .....	4
DOOR ASSY .....	5
GRIDDLE ASSY .....	6
LOWER UNIT AND SIDE PANELS .....	7
OVEN MODULE .....	8
REAR AREA .....	9
WIRING .....	10
Appendix A:Pages Index .....	A
Appendix B:Parts Index .....	B

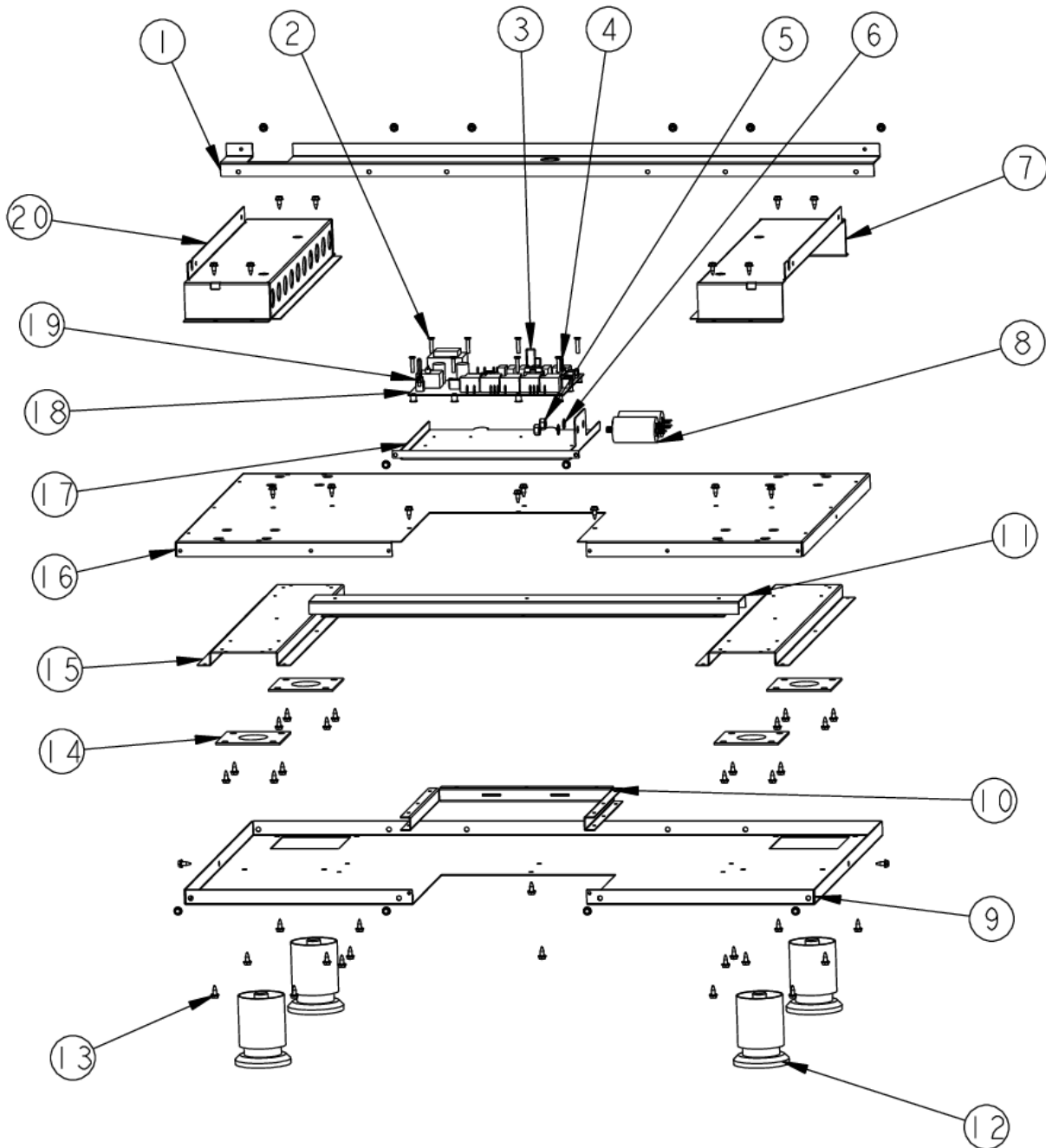


BASE ASSY





Item	Part No.	Name	Qty	Uom	NOTES
1	004503-000	BASE, LEDG, BACK, 36"	1	EA	
2	PD020043	#6-32 X .750 PH. CTRSK T(F)-VGSO166	8	EA	
3	PE070734	SINGLE OVEN HEADER	1	EA	
4	009632-000	MODEL 10 HEADER	1	EA	
5	PD030172	M8 X 1.25MM NUT	2	EA	
6	PD040164	5/16 INTERNAL TOOTH LOCK WASHER TYPE A	2	EA	
7	003761-000	OVEN MODULE SUPPORT CHANNEL, RH	1	EA	
8	036047-000	CAPACITOR, CONV MOTOR, INTL	2	EA	
9	003326-000	PLATE, BASE, LWR, 36"	1	EA	
10	003054-000	BASE CENTER CUTOUT STIFFENER	1	EA	
11	003327-000	BRACE, BASE, 36"	1	EA	
12	044178-000	RANGE, LEG, ADJUSTABLE	4	EA	
13	003860-000	10-18 x .500 FASTNR,SCR,HXWH,STL,ZPLT	66	EA	
14	PC030007	LEG PLATE - 3/4" THREADED HOLE	4	EA	
15	003053-000	BASE LEG SUPPORT CHANNEL	2	EA	
16	003328-000	PLATE, BASE, UPR, 36"	1	EA	
17	015096-000	PLATE, MTG, EOC4 CONTROL BOARD		EA	
18	002406-000	CONTROL BOARD	1	EA	
<p>Comments for Part Num. 002406-000</p> <p>haarnink@vikingrange.com on Jun 18, 2015</p> <p>For the international E Model numbers EVDSC5 we need to add the info that sins First unit was EVDSC530S4B: 092314C10147281 any EVDSC built in 2014 went into production with EOC4. so here we need to add the part number 014000-000 EOC4 plus the SMPS part number 013999-000</p>					
Not Shown	NOTE	(BEFORE 7/28/10)		EA	
18	046142-556	CONTROL, EOC4, LED, V39/V51 & FAMILY	1	EA	
Not Shown	NOTE	(ON OR AFTER 7/28/10)		EA	





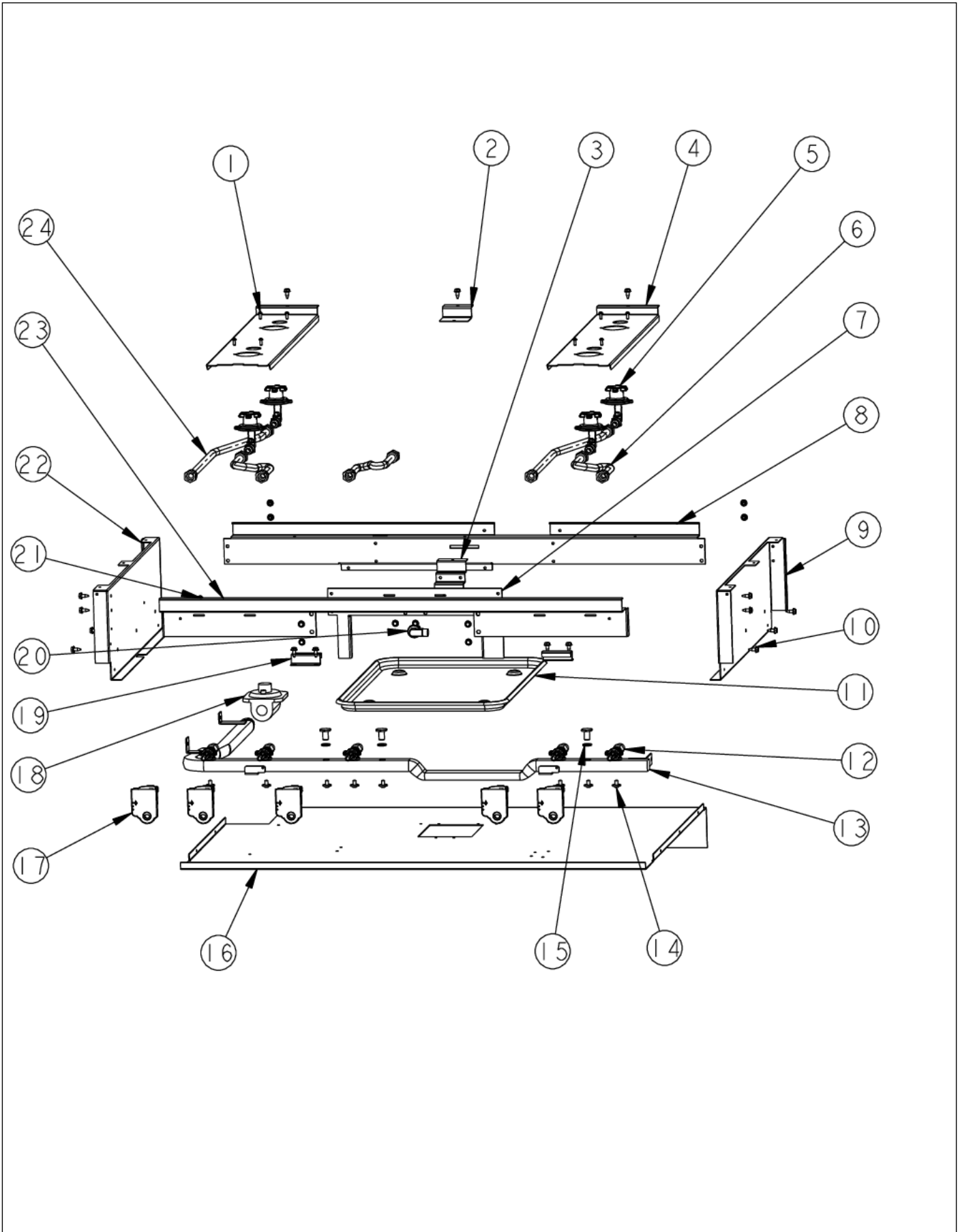
Item	Part No.	Name	Qty	Uom	NOTES
NI	021340-000	LINEAR POWER SUPPLY, SINGLE	1	EA	
Not Shown	NOTE	(ON OR AFTER 7/28/10)		EA	
NI	026526-000	COVER, DSI BOARD, SERVICE	1	EA	
NI	026766-000	CRADLE, DSI, SERVICE	1	EA	
NI	024909-000	SHIELD, WRG	1	EA	
NI	PA020056	NLA - See TC-0063D-SP for kit number (see comments)	1	EA	
Not Shown	NOTE	(BEFORE 01/11/11)		EA	
NI	023651-000	DSI120-2-LVS	1	EA	
Not Shown	NOTE	(ON OR AFTER 01/11/11)		EA	
19	000915-000	LIMIT JUMPER	1	EA	
20	003763-000	OVEN MODULE SUPPORT CHANNEL, LH	1	EA	







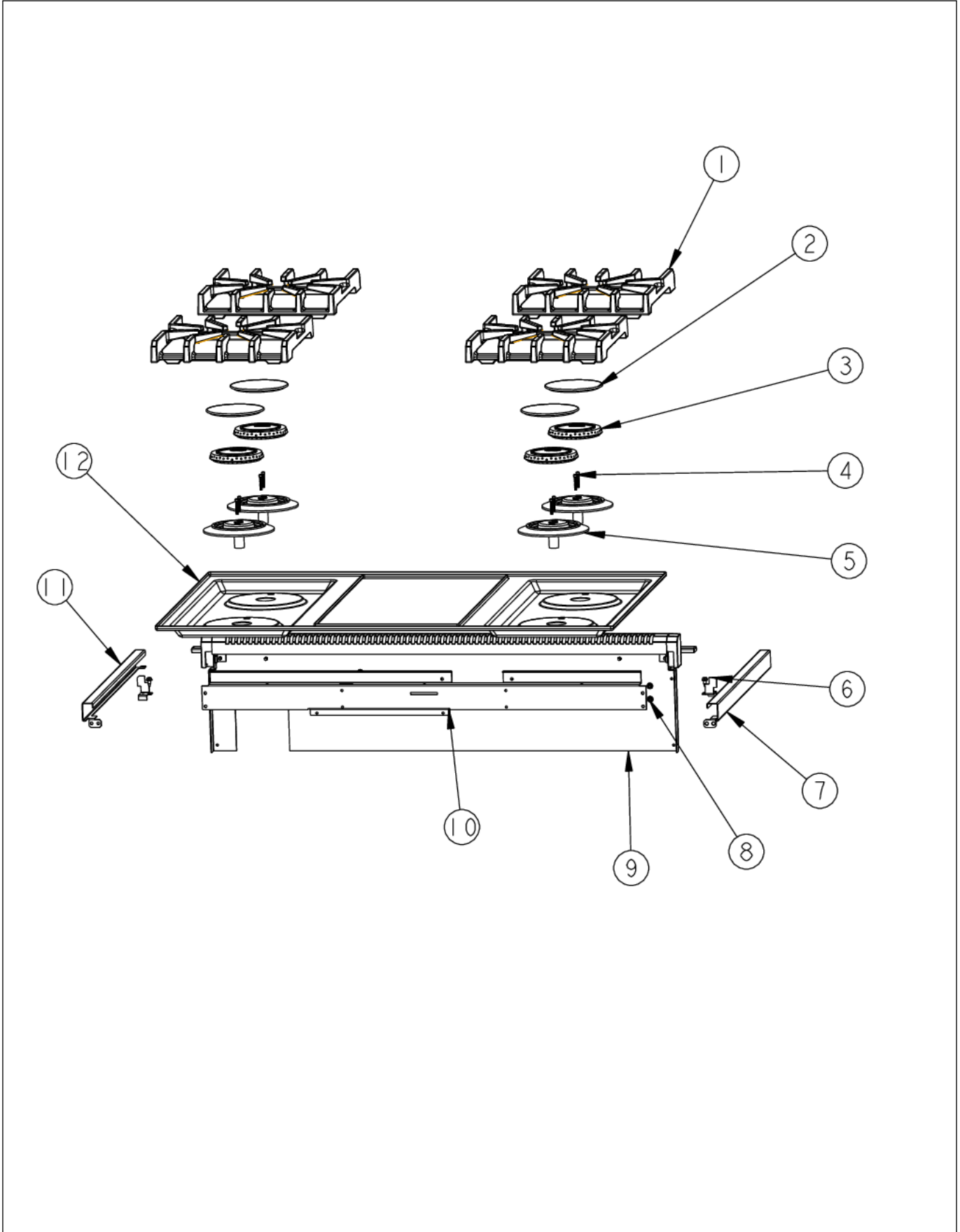
Item	Part No.	Name	Qty	Uom	NOTES
1	PD020076	6-32 X 3/8" PHILL PAN MS	8	EA	
2	008636-000	BRACKET, BURNER, GRILL, REAR	1	EA	
3	007776-000	MOUNT, GRILL, BURNER, FRONT	2	EA	
4	002923-000	BURNER MODULE SUPPORT	2	EA	
5	001394-042	15000 BTU NAT JETHOLDER	4	EA	
5	001394-046	12.5 K BTU LP JETHOLDER	4	EA	
6	PB020192	10" FLEX TUBING W/CONNECTORS	3	EA	
7	008637-000	ADAPTER BRACKET, FRONT SUPT	1	EA	
8	004602-000	REAR SUPPORT, BURNER BOX 36"	1	EA	
9	002755-000	BURNER BOX SIDE, RH	1	EA	
10	003860-000	10-18 x .500 FASTNR,SCR,HXWH,STL,ZPLT	27	EA	
11	J2101749	GREASE PAN	1	EA	
12	006313-000	VALVE, BRS, SEALED TOP	1	EA	
13	005480-000	MANIFOLD, GAS, VDSC36" -6B	1	EA	
14	PD010012	VALVE BOLT 1/4-20 UNC-2B 5/16" M.S.	7	EA	
15	002884-000	MANIFOLD PLUG	3	EA	
16	008449-000	BURNER BOX BOTTOM, 36"	1	EA	
Not Shown	NOTE	(BEFORE 01/11/11)		EA	
16	024659-000	BURNER,BOX,BOT,VDSC536T	1	EA	
Not Shown	NOTE	(ON OR AFTER 01/11/11)		EA	
17	PA020058	IRIS SINGLE SPARK MODULE	5	EA	
18	PA070003	PRESSURE REGULATOR (NAT.)	1	EA	
18	013386-000	LP PRESSURE REGULATOR	1	EA	
19	008286-000	BRACKET,DRIP,PAN,CUSTOM, Q-MODELS	2	EA	
20	PB040238	90 DEGREE ORIFICE FITTING, NAT #47	1	EA	
21	PD020010	10 X 3/8 GREEN GROUNDING SCREW	1	EA	





Item	Part No.	Name	Qty	Uom	NOTES
22	003481-000	BURNER BOX SIDE, LH	1	EA	
23	004603-000	FRONT SUPPORT, BURNER BOX 36"	1	EA	
24	PB020193	16" FLEX TUBING W/CONNECTORS	2	EA	

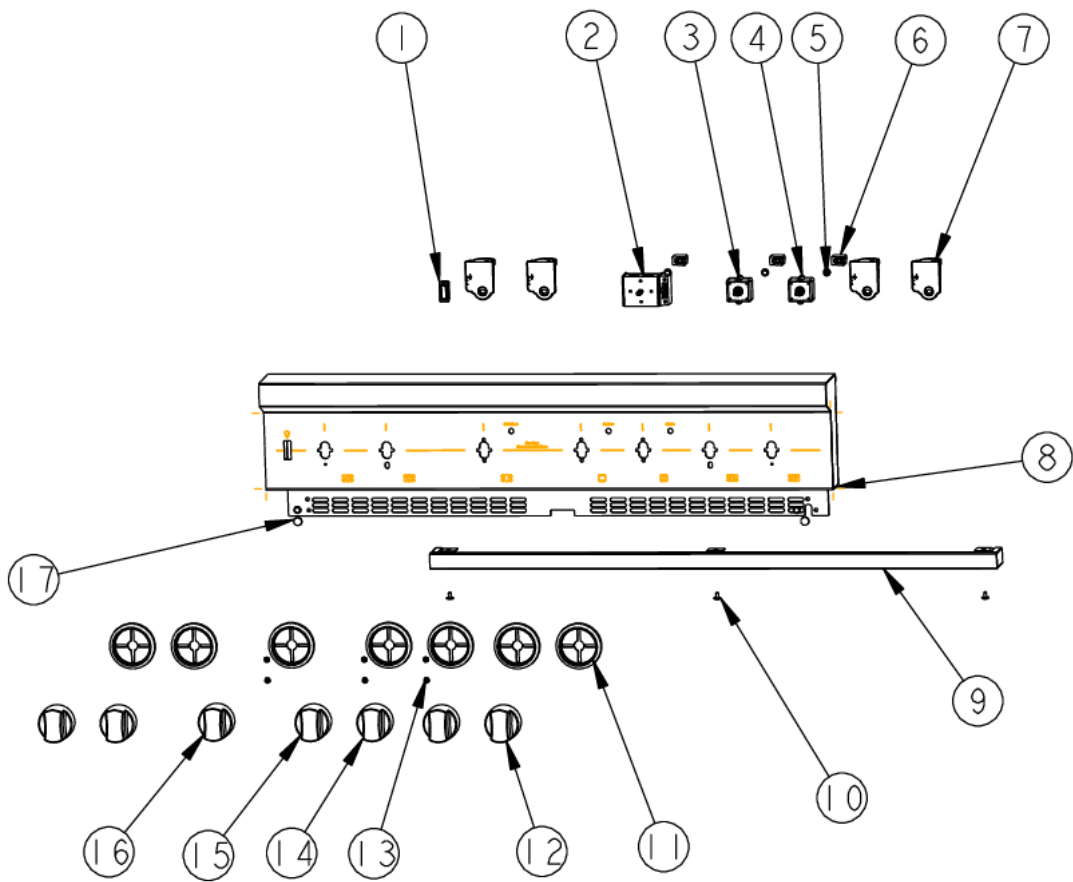
BURNER SURFACE





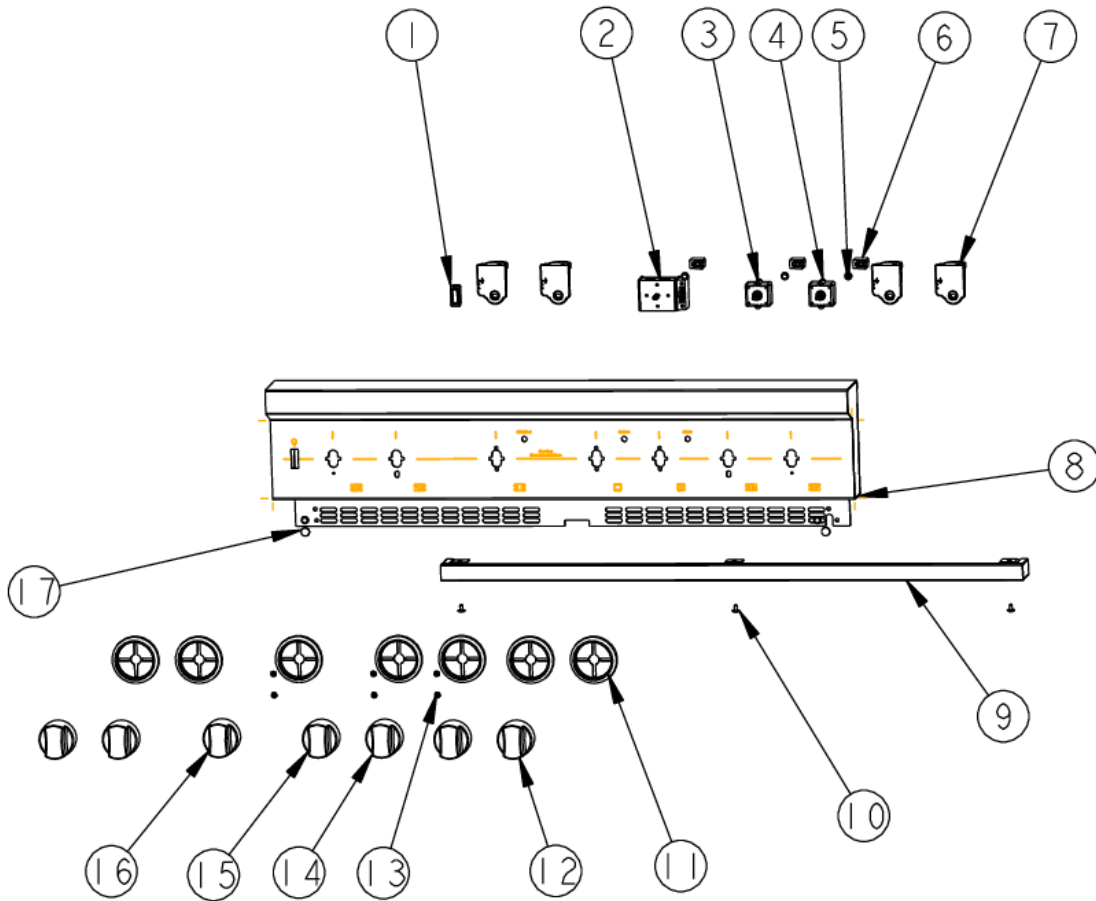
Item	Part No.	Name	Qty	Uom	NOTES
1	007323-000	BURNER GRATE	4	EA	
Not Shown	NOTE	(BEFORE 11/21/14)		EA	
1	049420-000	GRATE, BURNER, ASM	4	EA	
Not Shown	NOTE	(ON OR AFTER 11/21/14)		EA	
NI	PD040075	RUBBER FOOT	16	EA	
Not Shown	NOTE	(BEFORE 11/21/14)		EA	
NI	049416-000	BUMPER, GRATE	16	EA	
Not Shown	NOTE	(ON OR AFTER 11/21/14)		EA	
2	PA080083	D BURNER CAP *MATTE BLACK*	4	EA	
3	018200-000	ADJUSTED SEALED BURNER HEAD	4	EA	
4	009197-000	#6-32 X 5/8 18-8 SS NC SOC CAP	8	EA	
5	003322-041	SEALED BURNER BASE, PAINTED FINISH- GRAY	4	EA	
6	004021-000	SUPPORT,TRIM,SIDE	2	EA	
7	002920-000	TOP TRIM RING, RH	1	EA	
8	003860-000	10-18 x .500 FASTNR,SCR,HXWH,STL,ZPLT	7	EA	
9	041505-000	ISLAND TRIM, ASM, 36" CUSTOM	1	EA	
10	005040-000	BURNER BOX ASSY, VDSC536-4G	1	EA	
11	003649-000	TOP TRIM RING, LH	1	EA	
12	E9108438BK	MAIN TOP (VGRT4G/Q) *BK*	1	EA	

CONTROL PANEL





Item	Part No.	Name	Qty	Uom	NOTES
1	003719-000	OVEN LIGHT SWITCH, BLACK	1	EA	
2	013213-000	TSTAT, SMPS, ELEC, 2-POS, .91" SHAFT, CB	1	EA	
3	PJ030033	SELECTOR (10 POS)	1	EA	
4	PJ030035	THERMOSTAT	1	EA	
<p>Comments for Part Num. PJ030035</p> <p>parts@lvdistributes.com on Feb 7, 2018  this is not the correct part for this range it should be a 003225-000  Reply by JREXEC02@AOL.COM on Feb 27, 2018  003225-000 is an Induction Control.</p> <p>PJ030035 is the red colored thermostat for the Gas Range  *****</p>					
5	PE050023	OVEN IND. LIGHT (LENS & BEZEL)	2	EA	
Not Shown	NOTE	(BEFORE 7/20/10)		EA	
6	PE050072	LENS OPENING	2	EA	
Not Shown	NOTE	(BEFORE 7/20/10)		EA	
NI	021336-000	INDICATOR, LT, RED, CHROME BEZEL, LED	3	EA	
Not Shown	NOTE	(7/20/10 TO 7/12/11 )		EA	
NI	015043-000	INDICATOR, LIGHT, BLUE LED	3	EA	
Not Shown	NOTE	(ON OR AFTER 7/13/11)		EA	
7	PA020058	IRIS SINGLE SPARK MODULE	4	EA	
8	031307-2112	PANEL, CNTRL ASM, W/GRAPHICS VDSC536-4G	1	EA	
9	006299-000	HANDLE, DRIP, ASM, SST, VDSC 36"	1	EA	
10	PD020032	SRW-8(A)X3/8"PH.WFR HD 7/16DIA*NICL	5	EA	
11	050172-000	BEZEL, KNOB	7	EA	
12	005269-000	RANGE TOP BURNER KNOB-BRUSHED, SSS	4	EA	
Not Shown	NOTE	BEFORE 12/20/12		EA	

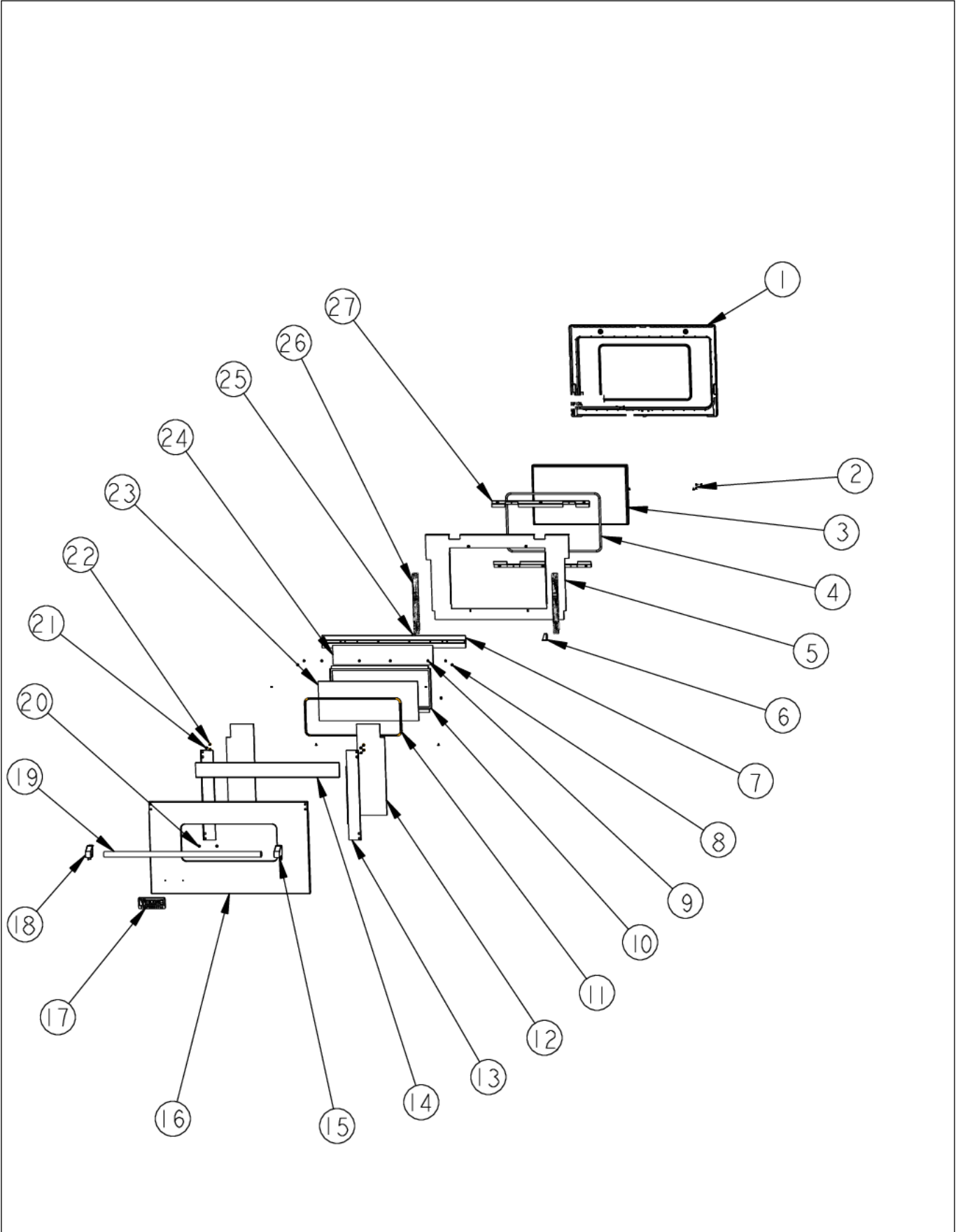




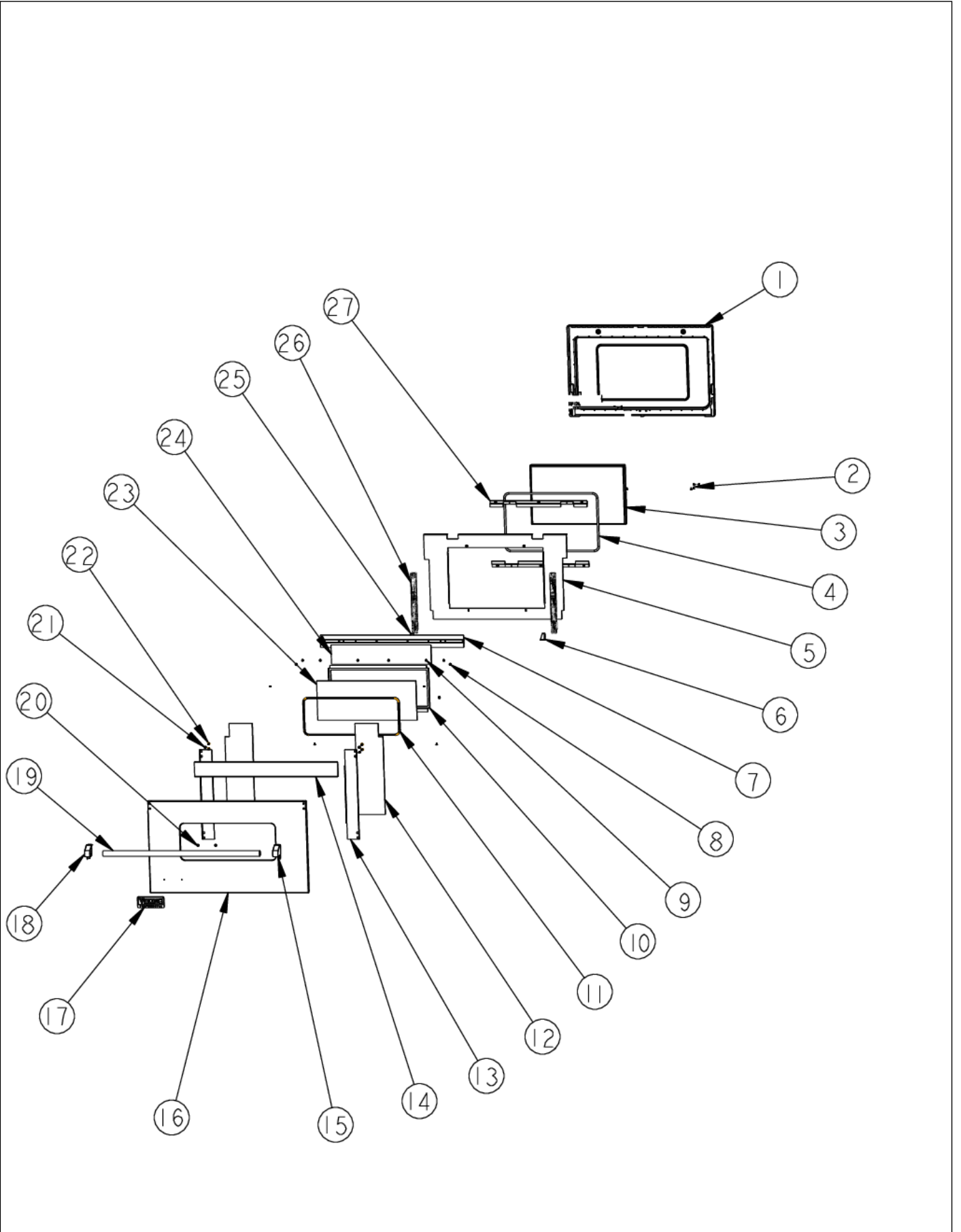


Item	Part No.	Name	Qty	Uom	NOTES
12	035881-000	KNOB, BNR, TOP PRO CR3	4	EA	
Not Shown	NOTE	AFTER 12/20/12		EA	
13	PD020062	#8-32 X 3/8 PHMS TYPE 1	6	EA	
14	005270-000	RANGE THERMOSTAT KNOB-BRUSHED, SSS	1	EA	
Not Shown	NOTE	BEFORE 12/20/12		EA	
14	035893-000	KNOB,OVN,TSTAT, PRO VDSC/VESC CR3	1	EA	
Not Shown	NOTE	AFTER 12/20/12		EA	
15	005271-000	RANGE SELECTOR KNOB-BRUSHED, SSS	1	EA	
Not Shown	NOTE	BEFORE 12/20/12		EA	
15	035895-000	KNOB,OVN,SEL, PRO VDSC/VESC CR3	1	EA	
Not Shown	NOTE	AFTER 12/20/12		EA	
16	006570-000	KNOB, GRDL/(LH OVEN), ASM, PVD, #3, SSS	1	EA	
<p>Comments for Part Num. 006570-000</p> <p>bradleysapplianceservice@shaw.ca on Aug 25, 2015</p> <p>006570-000 Griddle Knob Satin Stainless Steel (SSS) - Serial Break: Before 12/20/12</p> <p>035883-000 Griddle Knob Stainless Steel (SS) - Serial Break After 12/20/12</p> <p>If stainless steel (SS) is required: Use part number 035883-000 Griddle Knob</p>					
Not Shown	NOTE	BEFORE 12/20/12		EA	
16	035883-000	KNOB,GRDL,PRO CR3	1	EA	
Not Shown	NOTE	AFTER 12/20/12		EA	
17	PD040004	GROMMET BUMPER	2	EA	

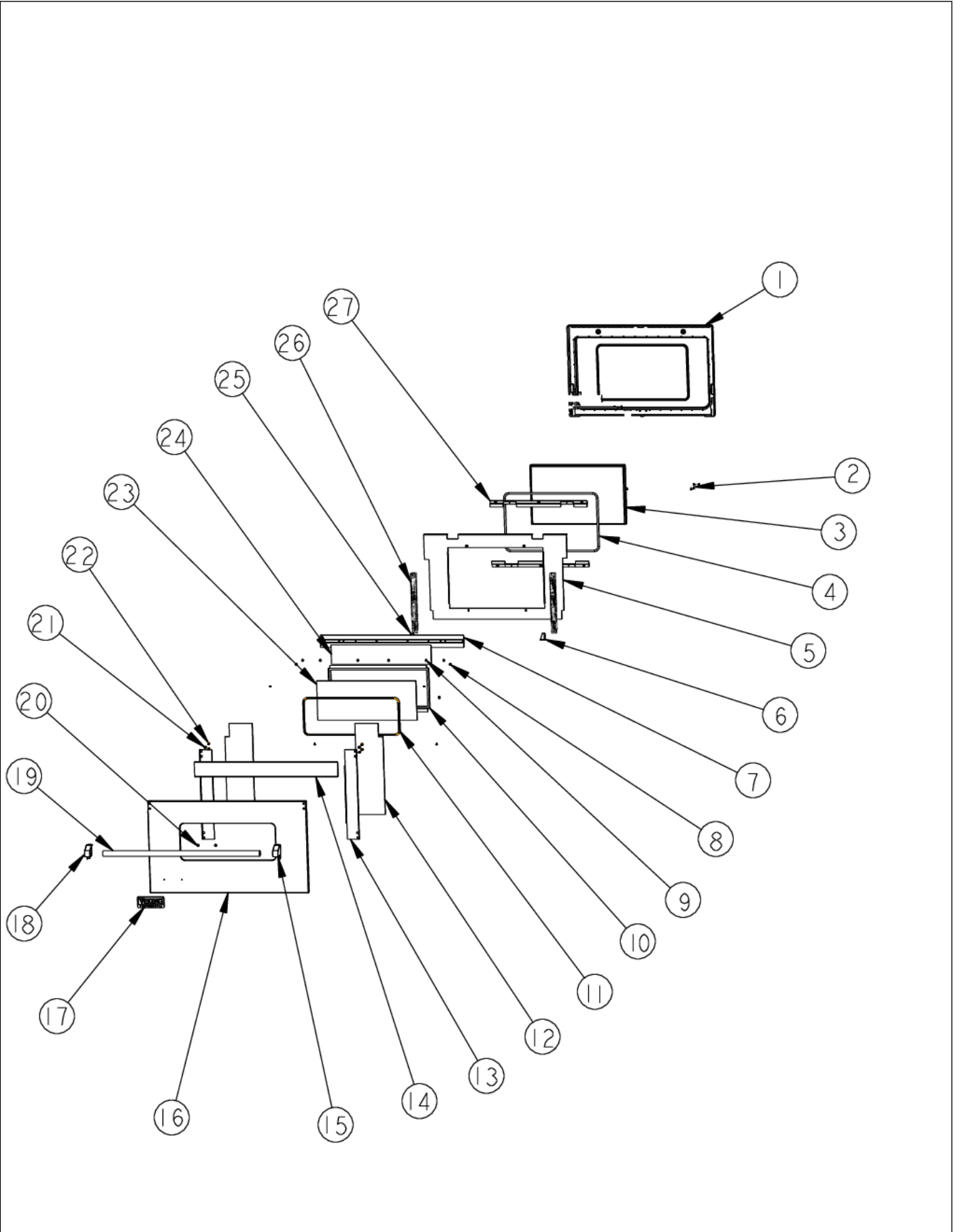
DOOR ASSY



Item	Part No.	Name	Qty	Uom	NOTES
1	002713-000	LINER, DOOR, WLD, ASSY 36"	1	EA	
Not Shown	NOTE	(BEFORE 12/20/12)		EA	
1	002713-402	LINER, DOOR, WLD, ASSY 36" BK	1	EA	
Not Shown	NOTE	(ON OR AFTER 12/20/12)		EA	
2	PD020032	SRW-8(A)X3/8"PH.WFR HD 7/16DIA*NICL	7	EA	
3	PE060094	30 WINDOW PACK	1	EA	
4	000594-000	BLACK FIBERGLASS ROPE 3/8	7	EA	
5	006076-000	DOOR LINER INSULATION RETAINER, 36"	1	EA	
6	006807-000	HINGE, BRACKET, RH	1	EA	
7	006089-000	DOOR SKIN MTG BRACKET ASSY, 36"	1	EA	
8	PD020073	SRW #10 X 24 X 3/8 WAFER HD TYPE23	2	EA	
9	PD030010	#10-24 KEPS NUT ZINC PLATED	6	EA	
10	NOT FIELD REPLACEABLE	30" WINDOW HOLDER	1	EA	
Not Shown	NOTE	(MUST ORDER ITEM # 16)		EA	
11	NOT FIELD REPLACEABLE	30" J-MOLD (CHROME)	1	EA	
Not Shown	NOTE	(MUST ORDER ITEM # 16)		EA	
12	006086-000	DOOR, SKIN, INSULATION, SIDE, 36	2	EA	
13	002726-000	DOOR SKIN SIDE BRACKET	2	EA	
14	006082-000	DOOR SKIN HEAT SINK, 36"	1	EA	
15	003012-000	DOOR HANDLE ENDCAP ASSY, RH (CHROME)	1	EA	
15	003012-100	DOOR HANDLE ENDCAP ASSY, RH (BRASS) - NLA	1	EA	
16	021311-000	DOOR SKIN SERVICE ASSEMBLY, SS	1	EA	
16	021312-002	DOOR SKIN SERVICE ASSEMBLY, BK	1	EA	
16	021312-003	DOOR SKIN SERVICE ASSEMBLY, BT	1	EA	



Item	Part No.	Name	Qty	Uom	NOTES
16	021312-004	DOOR SKIN SERVICE ASSEMBLY, SG	1	EA	
16	021312-005	DOOR SKIN SERVICE ASSEMBLY, GG	1	EA	Not available online / Call for pricing and availability
16	021312-006	DOOR SKIN SERVICE ASSEMBLY, WH	1	EA	
16	021312-008	DOOR SKIN SERVICE ASSEMBLY, BU	1	EA	
16	021312-009	DOOR SKIN SERVICE ASSEMBLY, LE	1	EA	
16	021312-010	DOOR SKIN SERVICE ASSEMBLY, MJ	1	EA	
16	021312-012	DOOR SKIN SERVICE ASSEMBLY, VB	1	EA	
16	021312-013	DOOR SKIN SERVICE ASSEMBLY, CB	1	EA	Not available online / Call for pricing and availability
16	021312-015	DOOR SKIN SERVICE ASSEMBLY, PL	1	EA	
16	021312-016	DOOR SKIN SERVICE ASSEMBLY, CH	1	EA	
16	021312-017	DOOR SKIN SERVICE ASSEMBLY, TP	1	EA	
16	021312-018	DOOR SKIN SERVICE ASSEMBLY, CW NLA	1	EA	
16	021312-019	DOOR SKIN SERVICE ASSEMBLY, OG	1	EA	
16	021312-020	DOOR SKIN SERVICE ASSEMBLY, GM	1	EA	
16	021312-021	DOOR SKIN SERVICE ASSEMBLY, SA	1	EA	
16	021312-022	DOOR SKIN SERVICE ASSEMBLY, SE	1	EA	
16	021312-023	DOOR SKIN SERVICE ASSEMBLY, IB	1	EA	
16	021312-024	DOOR SKIN SERVICE ASSEMBLY, AR	1	EA	
16	021312-025	DOOR SKIN SERVICE ASSEMBLY, RR	1	EA	
16	021312-026	DOOR SKIN SERVICE ASSEMBLY, PM	1	EA	





Item	Part No.	Name	Qty	Uom	NOTES
16	021312-027	DOOR SKIN SERVICE ASSEMBLY, MS	1	EA	
17	PE010030	LOGO	1	EA	
18	003011-000	DOOR HANDLE ENDCAP ASSY, LH (CHROME)	1	EA	
19	003011-100	DOOR HANDLE ENDCAP ASSY, LH (BRASS)	1	EA	
19	006080-000	36" DOOR HANDLE, 35.5	1	EA	
20	PD030006	CAPPED WASHER PAL NUT	2	EA	
21	030823-000	#10-32 PAN HEAD PHILLIPS MACHINE SCREW	4	EA	
22	004907-000	STEEL FINISHING PLUG, NICKEL PLTD 25/64" HOLE	4	EA	
23	NOT FIELD REPLACEABLE	30" PROF. OUTER DOOR GLASS	1	EA	
Not Shown	NOTE	(MUST ORDER ITEM # 16)		EA	
24	006788-000	INSULATION, DOOR, TOP, SUPE RWOOL, .25, VDSC530	1	EA	
25	006808-000	HINGE, BRACKET, LH	1	EA	
26	013290-000	HINGE, DOOR, VGCC36" - PINK SPRING	2	EA	

Comments for Part Num. 013290-000

CAREYSAPPLIANCE@HOTMAIL.COM on Feb 15, 2018

in door view hinges are showing 2 different hinges

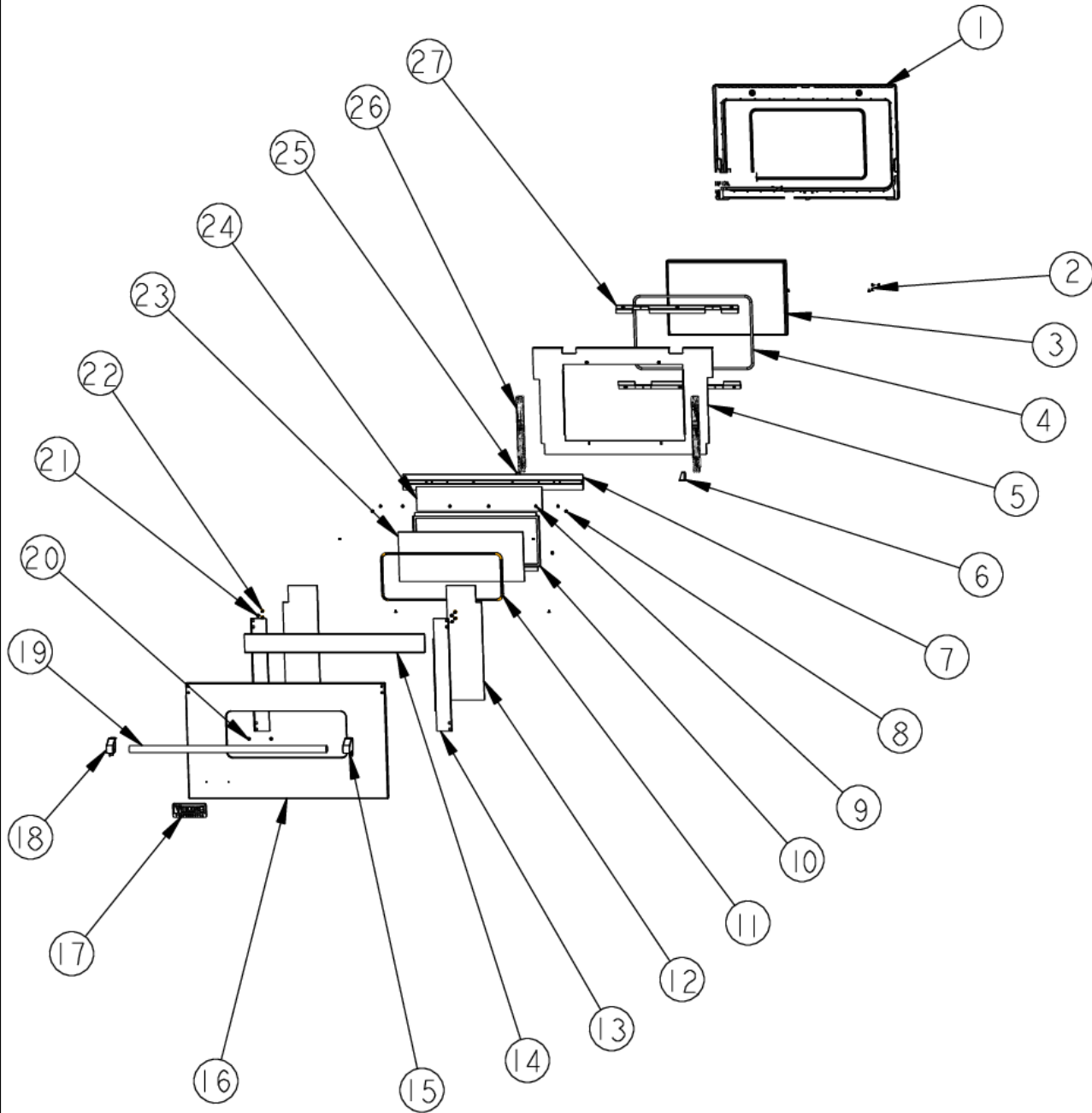
#15) part 002740-000

#17) part 013290-000

these part numbers in middleby do not cross over to each other

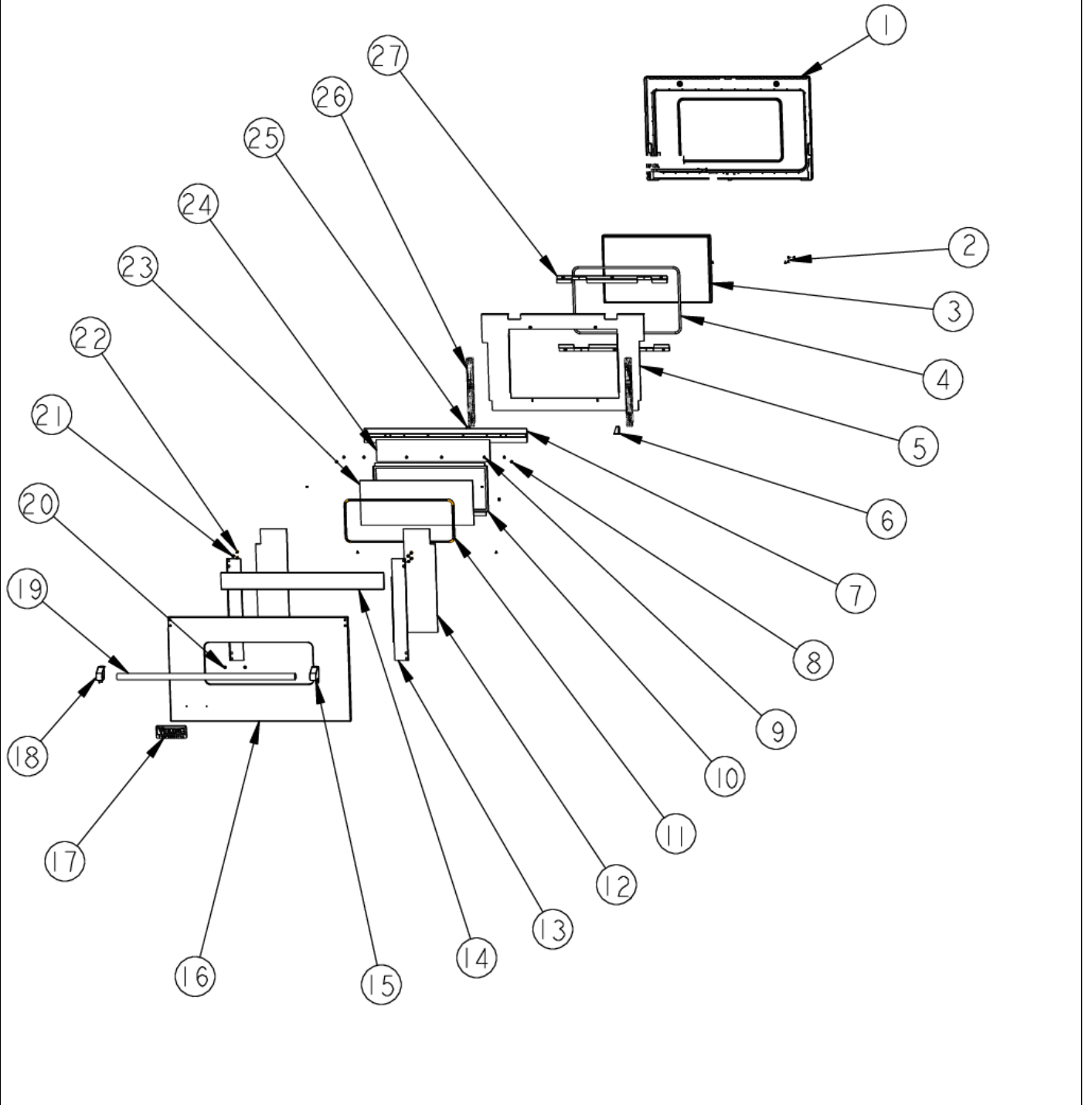
please correct with the correct part numbers Thanks Dan

27	004153-000	DOOR GLASS HOLDER BRACKET	2	EA	
NI	009852-002	DOOR SKIN ASM - BK, 36"	1	EA	
NI	009852-102	DOOR SKIN ASM - BK/BR, 36"	1	EA	
NI	009852-003	DOOR SKIN ASM - BT, 36"	1	EA	
NI	009852-103	DOOR SKIN ASM - BT/BR, 36"	1	EA	
NI	009852-004	DOOR SKIN ASM - SG, 36"	1	EA	
NI	009852-104	DOOR SKIN ASM - SG/BR, 36"	1	EA	
NI	009852-005	DOOR SKIN ASM - CG, 36"	1	EA	

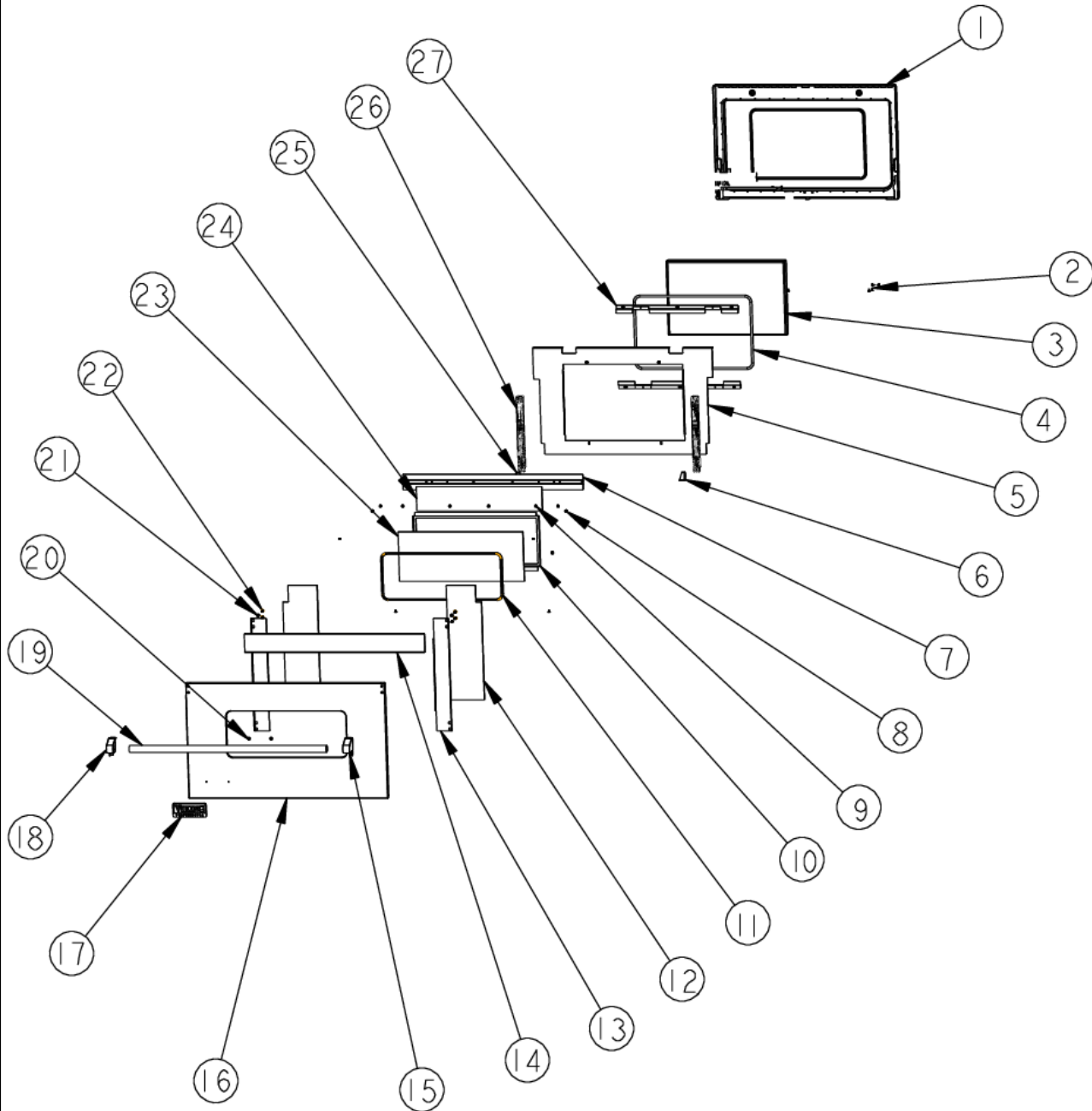




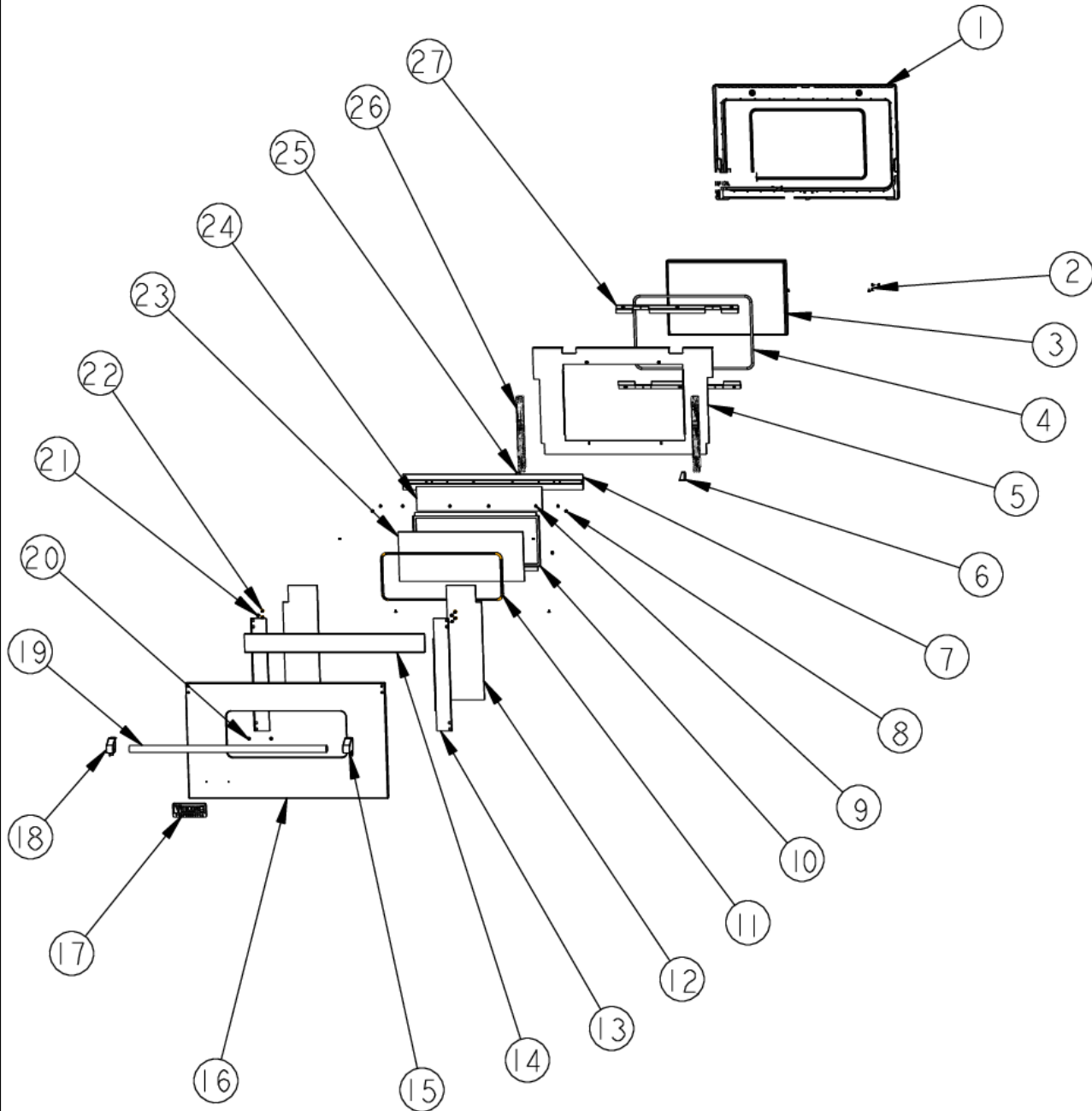
Item	Part No.	Name	Qty	Uom	NOTES
NI	009852-105	DOOR SKIN ASM - CG/BR, 36"	1	EA	
NI	009852-006	DOOR SKIN ASM - WH, 36"	1	EA	
NI	009852-106	DOOR SKIN ASM - WH/BR, 36"	1	EA	
NI	009852-007	DOOR SKIN ASM - AL, 36"	1	EA	
NI	009852-107	DOOR SKIN ASM - AL/BR, 36"	1	EA	
NI	009852-008	DOOR SKIN ASM - BU, 36"	1	EA	
NI	009852-108	DOOR SKIN ASM - BU/BR, 36"	1	EA	
NI	009852-009	DOOR SKIN ASM - LE, 36"	1	EA	
NI	009852-109	DOOR SKIN ASM - LE/BR, 36"	1	EA	
NI	009852-010	DOOR SKIN ASM - MJ, 36"	1	EA	
NI	009852-110	DOOR SKIN ASM - MJ/BR, 36"	1	EA	
NI	009852-011	DOOR SKIN ASM - FG, 36"	1	EA	
NI	009852-111	DOOR SKIN ASM - FG/BR, 36"	1	EA	
NI	009852-012	DOOR SKIN ASM - VB, 36"	1	EA	
NI	009852-112	DOOR SKIN ASM - VB/BR, 36"	1	EA	
NI	009852-013	DOOR SKIN ASM - CB, 36"	1	EA	
NI	009852-113	DOOR SKIN ASM - CB/BR, 36"	1	EA	
NI	009852-014	DOOR SKIN ASM - EP, 36"	1	EA	
NI	009852-114	DOOR SKIN ASM - EP/BR, 36"	1	EA	
NI	009852-015	DOOR SKIN ASM - PL, 36"	1	EA	
NI	009852-115	DOOR SKIN ASM - PL/BR, 36"	1	EA	
NI	009852-016	DOOR SKIN ASM - CH, 36"	1	EA	
NI	009852-116	DOOR SKIN ASM - CH/BR, 36"	1	EA	
NI	009852-017	DOOR SKIN ASM - TP, 36"	1	EA	
NI	009852-117	DOOR SKIN ASM - TP/BR, 36"	1	EA	
NI	009852-018	DOOR SKIN ASM - CW, 36" NLA	1	EA	
NI	009852-118	DOOR SKIN ASM - CW/BR, 36"	1	EA	
NI	009852-019	DOOR SKIN ASM - OG, 36"	1	EA	
NI	009852-119	DOOR SKIN ASM - OG/BR, 36"	1	EA	
NI	009852-020	DOOR SKIN ASM - GM, 36"	1	EA	
NI	009852-120	DOOR SKIN ASM - GM/BR, 36"	1	EA	
NI	009852-021	DOOR SKIN ASM - SA, 36"	1	EA	
NI	009852-121	DOOR SKIN ASM - SA/BR, 36"	1	EA	



Item	Part No.	Name	Qty	Uom	NOTES
NI	009852-022	DOOR SKIN ASM - SE, 36"	1	EA	
NI	009852-122	DOOR SKIN ASM - SE/BR, 36"	1	EA	
NI	009852-023	DOOR SKIN ASM - IB, 36"	1	EA	
NI	009852-123	DOOR SKIN ASM - IB/BR, 36"	1	EA	
NI	009852-024	DOOR SKIN ASM - AR, 36"	1	EA	
NI	009852-124	DOOR SKIN ASM - AR/BR, 36"	1	EA	
NI	009852-025	DOOR SKIN ASM - RR, 36"	1	EA	
NI	009852-125	DOOR SKIN ASM - RR/BR, 36"	1	EA	
NI	009852-026	DOOR SKIN ASM - PM, 36"	1	EA	
NI	009852-126	DOOR SKIN ASM - PM/BR, 36"	1	EA	
NI	009852-027	DOOR SKIN ASM - MS, 36"	1	EA	
NI	009852-127	DOOR SKIN ASM - MS/BR, 36"	1	EA	
NI	006100-000	DOOR ASSEMBLY, 36" - SS	1	EA	
NI	009915-002	DOOR ASSEMBLY, 36" - BK	1	EA	
NI	009915-102	DOOR ASSEMBLY, 36" - BK/BR	1	EA	
NI	009915-003	DOOR ASSEMBLY, 36" - BT	1	EA	
NI	009915-103	DOOR ASSEMBLY, 36" - BT/BR	1	EA	
NI	009915-004	DOOR ASSEMBLY, 36" - SG	1	EA	
NI	009915-104	DOOR ASSEMBLY, 36" - SG/BR	1	EA	
NI	009915-005	DOOR ASSEMBLY, 36" - GG	1	EA	
NI	009915-105	DOOR ASSEMBLY, 36" - GG/BR	1	EA	
NI	009915-006	DOOR ASSEMBLY, 36" - WH	1	EA	
NI	009915-106	DOOR ASSEMBLY, 36" - WH/BR	1	EA	
NI	009915-007	DOOR ASM - AL, 36"	1	EA	
NI	009915-107	DOOR ASM - AL/BR, 36"	1	EA	
NI	009915-008	DOOR ASSEMBLY, 36" - BU	1	EA	
NI	009915-108	DOOR ASSEMBLY, 36" - BU/BR	1	EA	
NI	009915-009	DOOR ASSEMBLY, 36" - LE	1	EA	
NI	009915-109	DOOR ASSEMBLY, 36" - LE/BR	1	EA	
NI	009915-010	DOOR ASSEMBLY, 36" - MJ	1	EA	
NI	009915-110	DOOR ASSEMBLY, 36" - MJ/BR	1	EA	
NI	009915-011	DOOR ASM - FG/BR, 36"	1	EA	



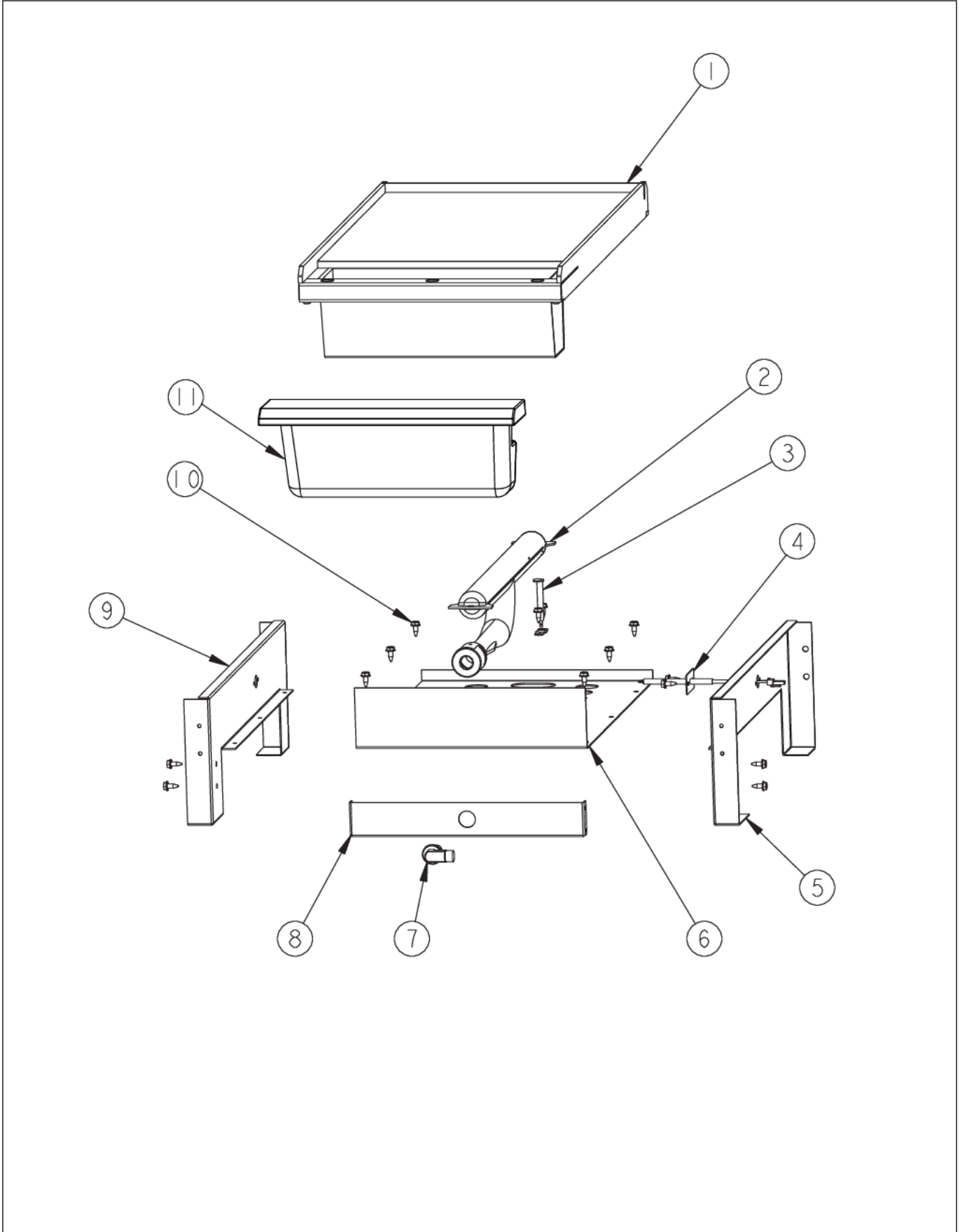
Item	Part No.	Name	Qty	Uom	NOTES
NI	009915-111	DOOR ASM - FG/BR, 36"	1	EA	Not available online / Call for pricing and availability
NI	009915-012	DOOR ASSEMBLY, 36" - VB	1	EA	
NI	009915-112	DOOR ASSEMBLY, 36" - VB/BR	1	EA	
NI	009915-013	DOOR ASSEMBLY, 36" - CB	1	EA	
NI	009915-113	DOOR ASSEMBLY, 36" - CB/BR	1	EA	
NI	009915-014	DOOR ASM - EP, 36"	1	EA	
NI	009915-114	DOOR ASM - EP/BR, 36"	1	EA	Not available online / Call for pricing and availability
NI	009915-015	DOOR ASSEMBLY, 36" - PL	1	EA	
NI	009915-115	DOOR ASSEMBLY, 36" - PL/BR	1	EA	
NI	009915-016	DOOR ASSEMBLY, 36" - CH	1	EA	
NI	009915-116	DOOR ASSEMBLY, 36" - CH/BR	1	EA	
NI	009915-017	DOOR ASSEMBLY, 36" - TP	1	EA	
NI	009915-117	DOOR ASSEMBLY, 36" - TP/BR	1	EA	
NI	009915-018	DOOR ASSEMBLY, 36" - CW NLA	1	EA	
NI	009915-118	DOOR ASSEMBLY, 36" - CW/BR	1	EA	
NI	009915-019	DOOR ASSEMBLY, 36" - OG	1	EA	
NI	009915-119	DOOR ASSEMBLY, 36" - OG/BR	1	EA	
NI	009915-020	DOOR ASSEMBLY, 36" - GM	1	EA	
NI	009915-120	DOOR ASSEMBLY, 36" - GM/BR	1	EA	
NI	009915-021	DOOR ASSEMBLY, 36" - SA	1	EA	
NI	009915-121	DOOR ASSEMBLY, 36" - SA/BR	1	EA	
NI	009915-022	DOOR ASSEMBLY, 36" - SE	1	EA	
NI	009915-122	DOOR ASSEMBLY, 36" - SE/BR	1	EA	
NI	009915-023	DOOR ASSEMBLY, 36" - IB	1	EA	
NI	009915-123	DOOR ASSEMBLY, 36" - IB/BR	1	EA	
NI	009915-024	DOOR ASSEMBLY, 36" - AR	1	EA	Not available online / Call for pricing and availability
NI	009915-124	DOOR ASSEMBLY, 36" - AR/BR	1	EA	
NI	009915-025	DOOR ASSEMBLY, 36" - RR	1	EA	





Item	Part No.	Name	Qty	Uom	NOTES
NI	009915-125	DOOR ASSEMBLY, 36" - RR/BR	1	EA	
NI	009915-026	DOOR ASSEMBLY, 36" - PM	1	EA	
NI	009915-126	DOOR ASSEMBLY, 36" - PM/BR	1	EA	
NI	009915-027	DOOR ASSEMBLY, 36" - MS	1	EA	
NI	009915-127	DOOR ASSEMBLY, 36" - MS/BR	1	EA	
NI	006996-000	DOOR GASKET, 36"	1	EA	

GRIDDLE ASSY

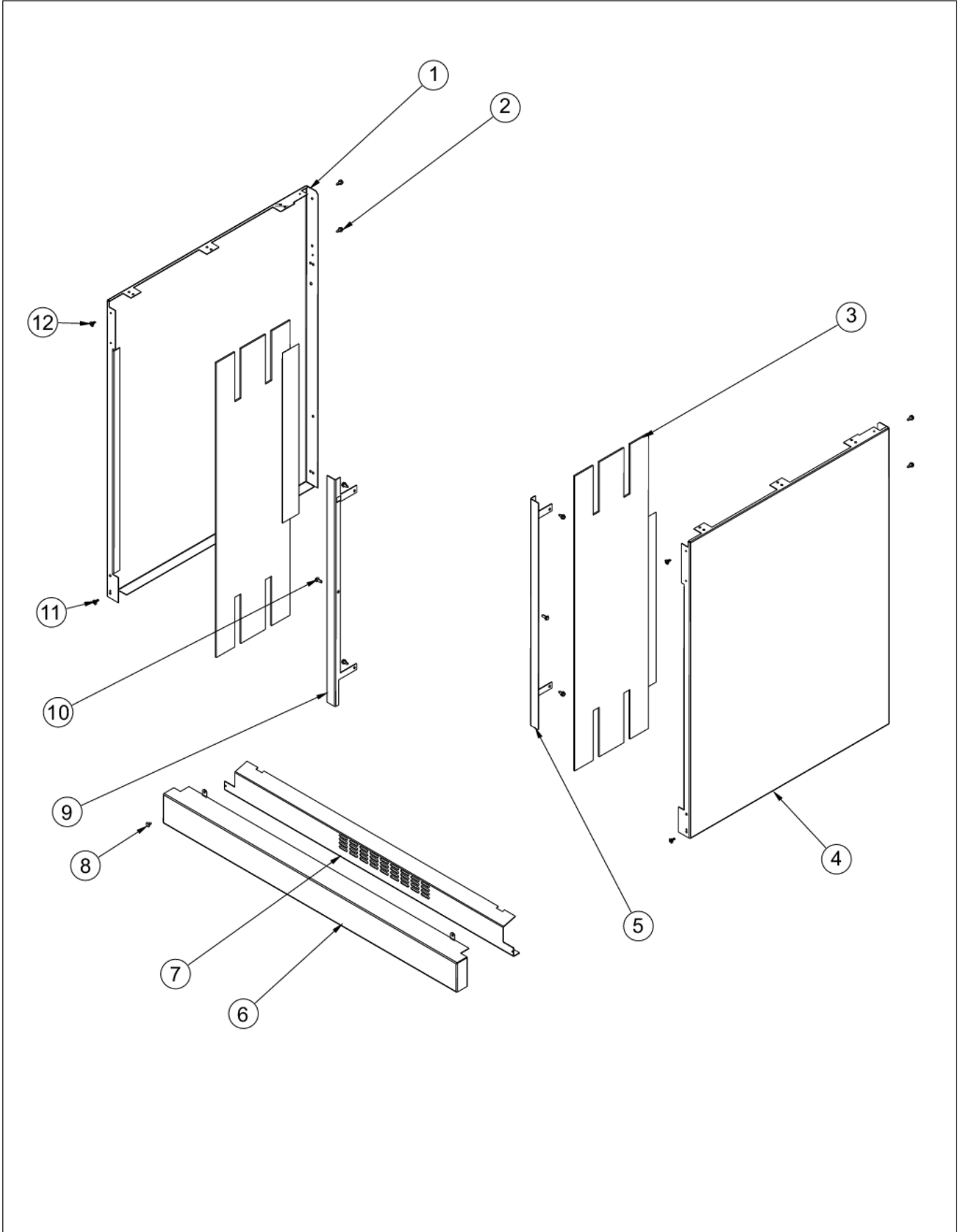




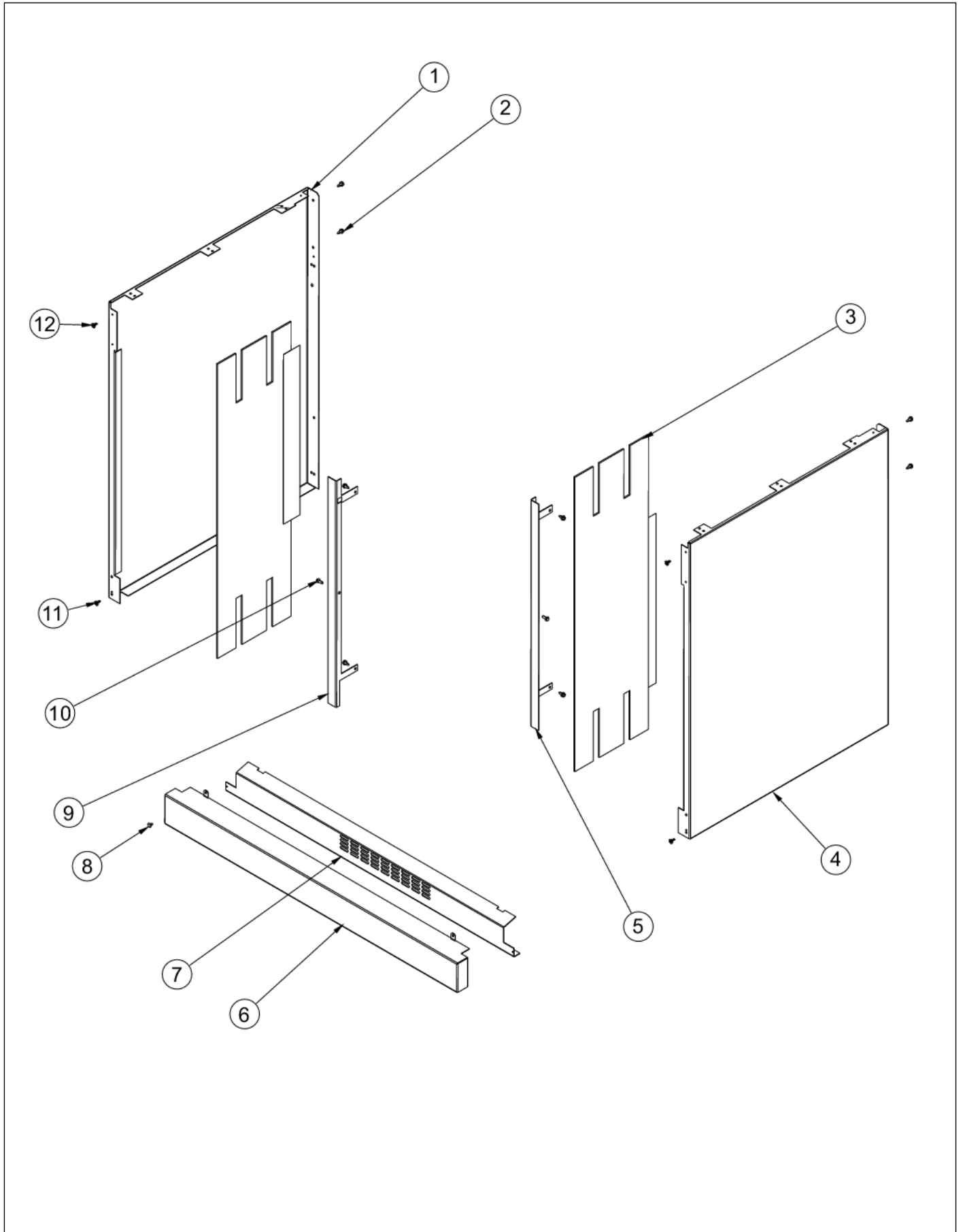


Item	Part No.	Name	Qty	Uom	NOTES
1	012291-000	GRIDDLE ASM, CUSTOM RANGES	1	EA	
2	008742-000	BURNER, GRIDDLE, CUSTOM	1	EA	
3	PA020028	SPARK IGNITER	1	EA	
4	PE050206	RTD THERMOSTAT PROBE	1	EA	
5	006763-000	GRIDDLE BOX, RH, CUSTOM RANGES	1	EA	
6	006780-000	GRIDDLE, BOX, BOTTOM	1	EA	Not available online / Call for pricing and availability
7	PB040190	90 DEGREE ORIFICE FITTING #50 NAT	1	EA	
8	006783-000	GRIDDLE BRKT, ORIFICE, CUSTOM RANGES	1	EA	
9	006760-000	GRIDDLE BOX, LH, CUSTOM RANGES	1	EA	
10	003860-000	10-18 x .500 FASTNR,SCR,HXWH,STL,ZPLT	13	EA	
11	012165-700	TROUGH, GRS, ASM, COATED	1	EA	NO LONGER AVAILABLE, Not available online / Call for pricing and availability
NI	012287-000	SUMP, GRIDDLE TROUGH	1	EA	Not available online / Call for pricing and availability
NI	013408-000	GRIDDLE HEADER	1	EA	

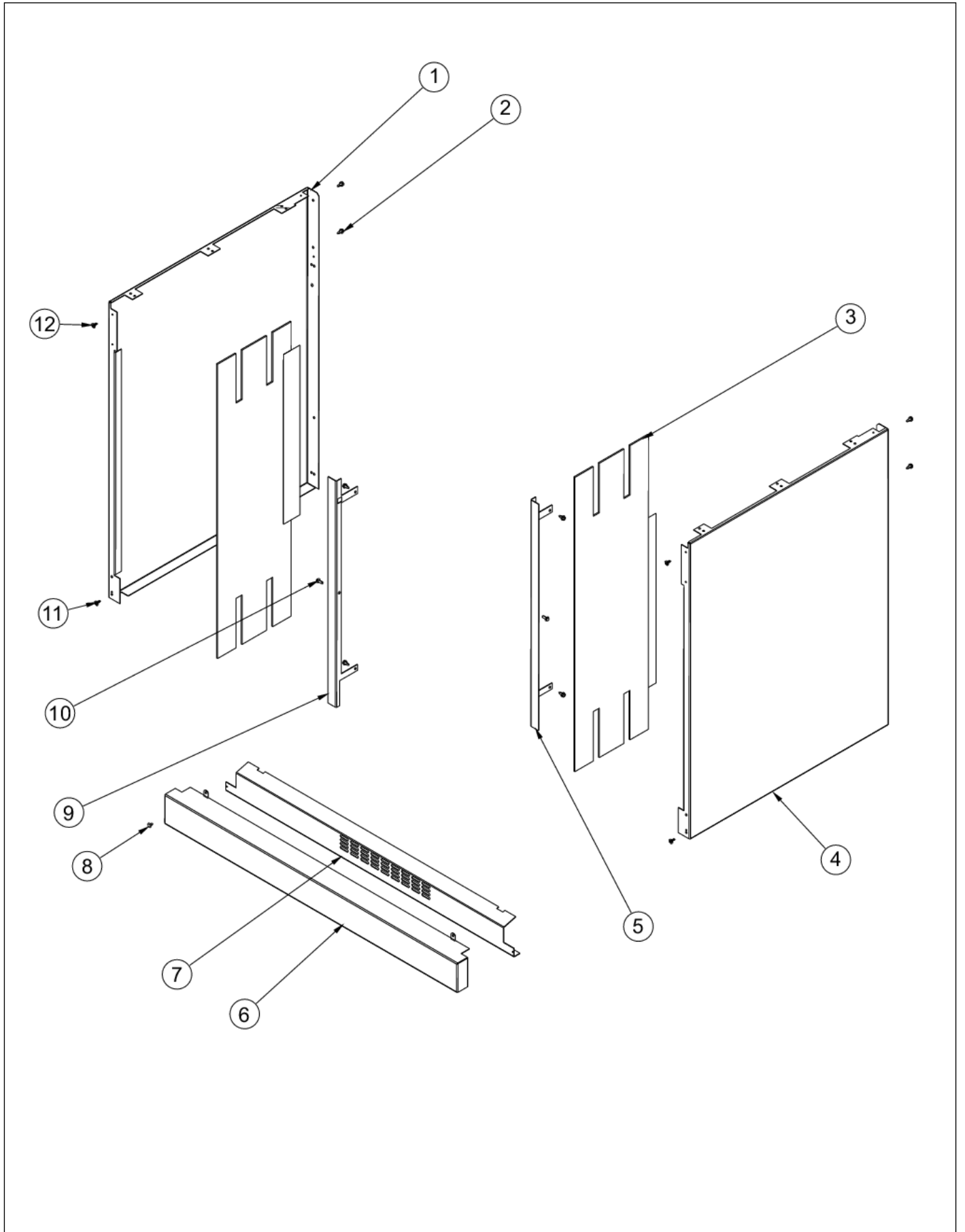
## LOWER UNIT AND SIDE PANELS



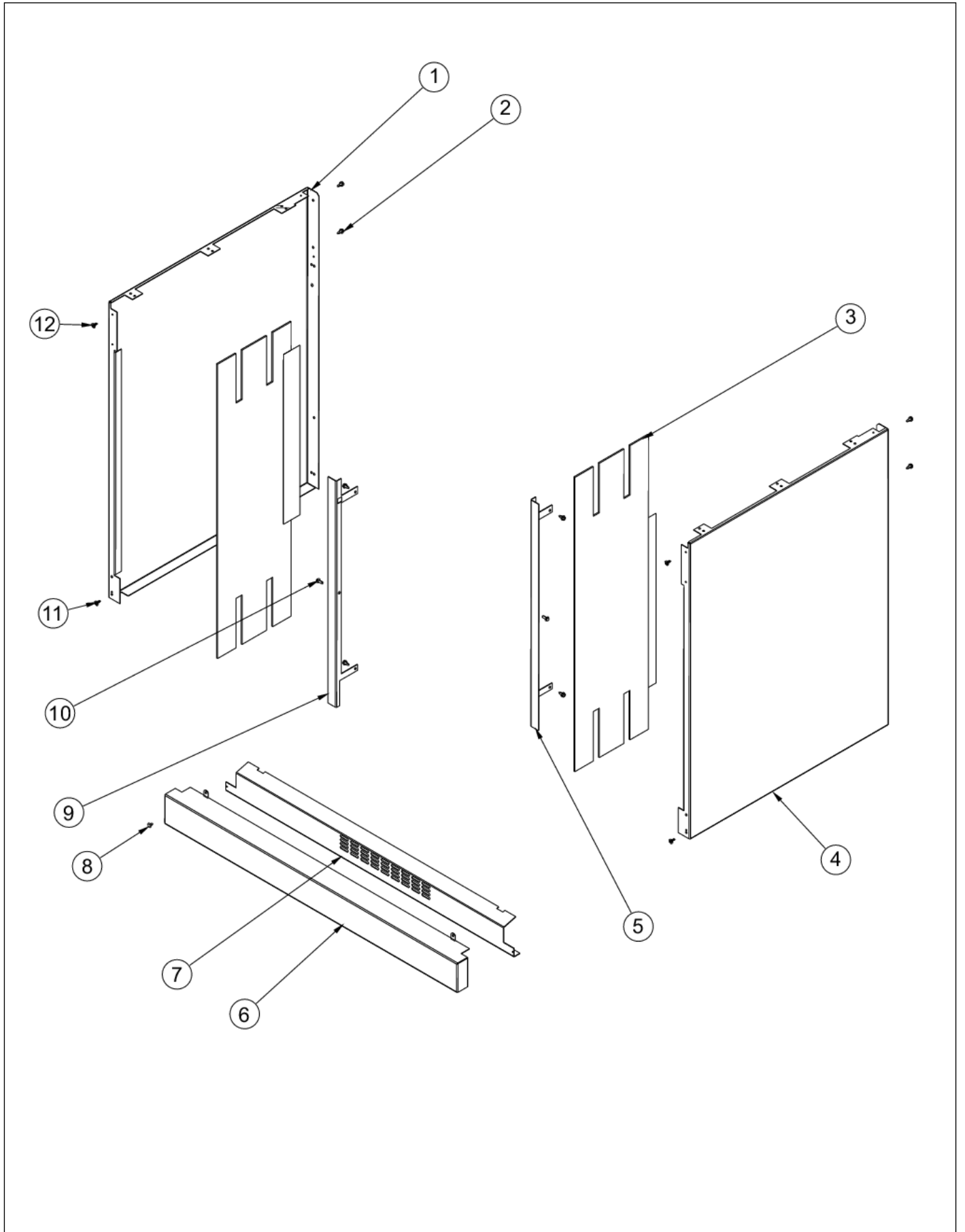
Item	Part No.	Name	Qty	Uom	NOTES
1	003803-000	SIDE PANEL ASSY, LH	1	EA	
Not Shown	NOTE	(BEFORE 02/15/16)		EA	
1	058495-000	SIDDE PANEL, ASSY, LH VDSC SS	1	EA	
Not Shown	NOTE	(ON OR AFTER 02/15/16)		EA	
1	005506-002	SIDE PANEL, LH ASSY, PAINTED BK	1	EA	
Not Shown	NOTE	(BEFORE 02/15/16)		EA	
1	005506-003	SIDE PANEL, LH ASSY, PAINTED BT	1	EA	
Not Shown	NOTE	(BEFORE 02/15/16)		EA	
1	005506-004	SIDE PANEL, LH ASSY, PAINTED SG	1	EA	
Not Shown	NOTE	(BEFORE 02/15/16)		EA	
1	005506-005	SIDE PANEL, LH ASSY, PAINTED GG	1	EA	
Not Shown	NOTE	(BEFORE 02/15/16)		EA	
1	005506-006	SIDE PANEL, LH ASSY, PAINTED WH	1	EA	
Not Shown	NOTE	(BEFORE 02/15/16)		EA	
1	005506-008	SIDE PANEL, LH ASSY, PAINTED BU	1	EA	
Not Shown	NOTE	(BEFORE 02/15/16)		EA	
1	005506-009	SIDE PANEL, LH ASSY, PAINTED LE	1	EA	
Not Shown	NOTE	(BEFORE 02/15/16)		EA	
1	005506-010	SIDE PANEL, LH ASSY, PAINTED MJ	1	EA	
Not Shown	NOTE	(BEFORE 02/15/16)		EA	
1	005506-012	SIDE PANEL, LH ASSY, PAINTED VB	1	EA	
Not Shown	NOTE	(BEFORE 02/15/16)		EA	



Item	Part No.	Name	Qty	Uom	NOTES
1	005506-013	SIDE PANEL, LH ASSY, PAINTED CB	1	EA	
Not Shown	NOTE	(BEFORE 02/15/16)		EA	
1	005506-015	SIDE PANEL, LH ASSY, PAINTED PL	1	EA	
Not Shown	NOTE	(BEFORE 02/15/16)		EA	
1	005506-016	SIDE PANEL, LH ASSY, PAINTED CH	1	EA	
Not Shown	NOTE	(BEFORE 02/15/16)		EA	
1	005506-017	SIDE PANEL, LH ASSY, PAINTED TP	1	EA	
Not Shown	NOTE	(BEFORE 02/15/16)		EA	
1	005506-018	SIDE PANEL, LH ASSY, PAINTED CW	1	EA	
Not Shown	NOTE	(BEFORE 02/15/16)		EA	
1	005506-019	SIDE PANEL, LH ASSY, PAINTED OG	1	EA	
Not Shown	NOTE	(BEFORE 02/15/16)		EA	
1	005506-020	SIDE PANEL, LH ASSY, PAINTED GM	1	EA	
Not Shown	NOTE	(BEFORE 02/15/16)		EA	
1	005506-021	SIDE PANEL, LH ASSY, PAINTED SA	1	EA	
Not Shown	NOTE	(BEFORE 02/15/16)		EA	
1	005506-022	SIDE PANEL, LH ASSY, PAINTED SE	1	EA	
Not Shown	NOTE	(BEFORE 02/15/16)		EA	
1	005506-023	SIDE PANEL, LH ASSY, PAINTED IB	1	EA	
Not Shown	NOTE	(BEFORE 02/15/16)		EA	
1	005506-024	SIDE PANEL, LH ASSY, PAINTED AR	1	EA	
Not Shown	NOTE	(BEFORE 02/15/16)		EA	

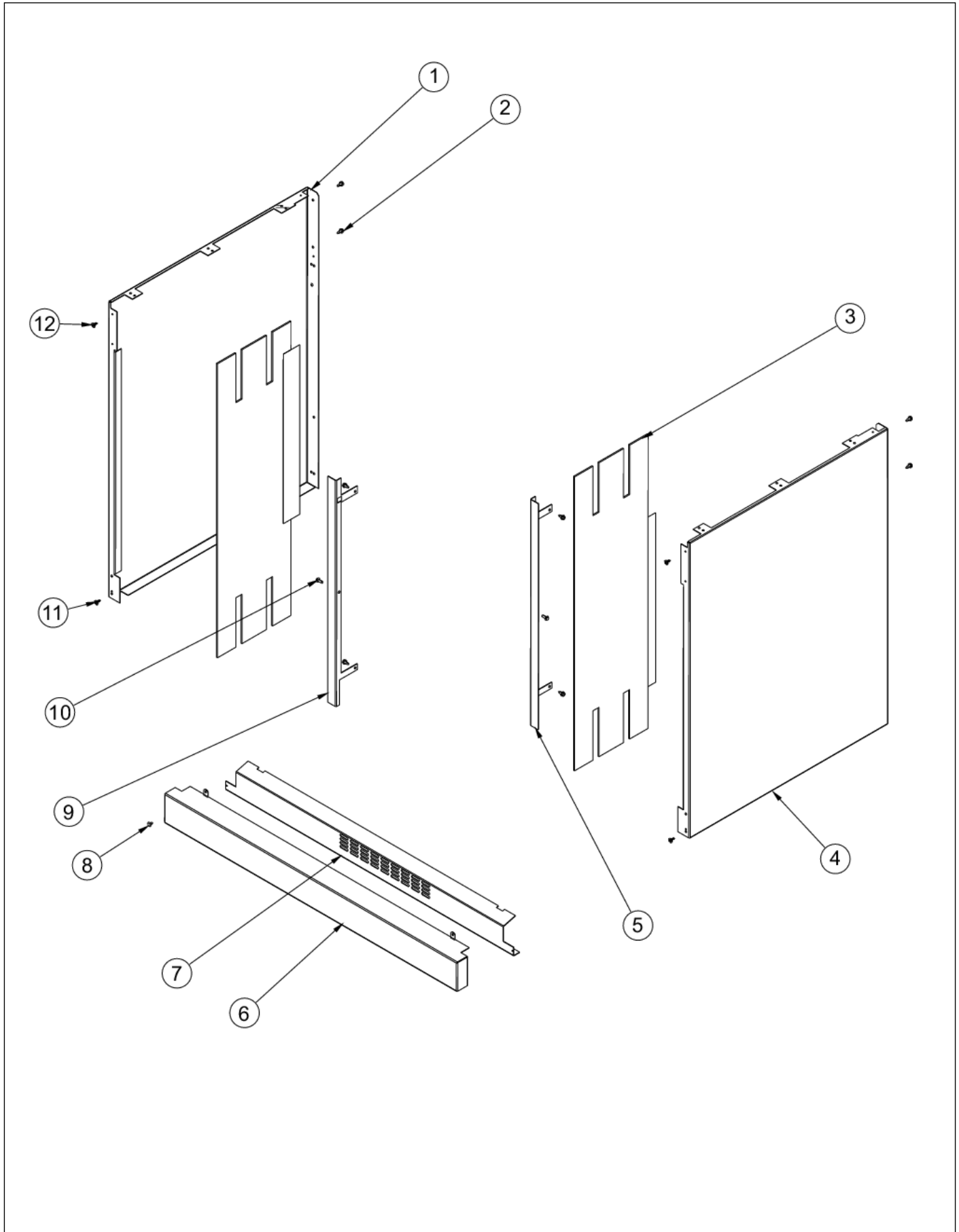


Item	Part No.	Name	Qty	Uom	NOTES
1	005506-025	SIDE PANEL, LH ASSY, PAINTED RR	1	EA	
Not Shown	NOTE	(BEFORE 02/15/16)		EA	
1	005506-026	SIDE PANEL, LH ASSY, PAINTED PM	1	EA	
Not Shown	NOTE	(BEFORE 02/15/16)		EA	
1	005506-027	SIDE PANEL, LH ASSY, PAINTED MS	1	EA	
Not Shown	NOTE	(BEFORE 02/15/16)		EA	
2	003860-000	10-18 x .500 FASTNR,SCR,HXWH,STL,ZPLT	8	EA	
3	007488-000	SINK, REAR, SIDE	2	EA	
4	003802-000	SIDE PANEL ASSY, RH, SST	1	EA	
Not Shown	NOTE	(BEFORE 02/15/16)		EA	
4	058496-000	SIDE, PANEL, ASSY, RH VDSC SS	1	EA	
Not Shown	NOTE	(ON OR AFTER 02/15/16)		EA	
4	005503-002	SIDE PANEL, RH ASSY, PAINTED BK	1	EA	
Not Shown	NOTE	(BEFORE 02/15/16)		EA	
4	005503-003	SIDE PANEL, RH ASSY, PAINTED BT	1	EA	
Not Shown	NOTE	(BEFORE 02/15/16)		EA	
4	005503-004	SIDE PANEL, RH ASSY, PAINTED SG	1	EA	
Not Shown	NOTE	(BEFORE 02/15/16)		EA	
4	005503-005	SIDE PANEL, RH ASSY, PAINTED GG	1	EA	
Not Shown	NOTE	(BEFORE 02/15/16)		EA	
4	005503-006	SIDE PANEL, RH ASSY, PAINTED WH	1	EA	
Not Shown	NOTE	(BEFORE 02/15/16)		EA	

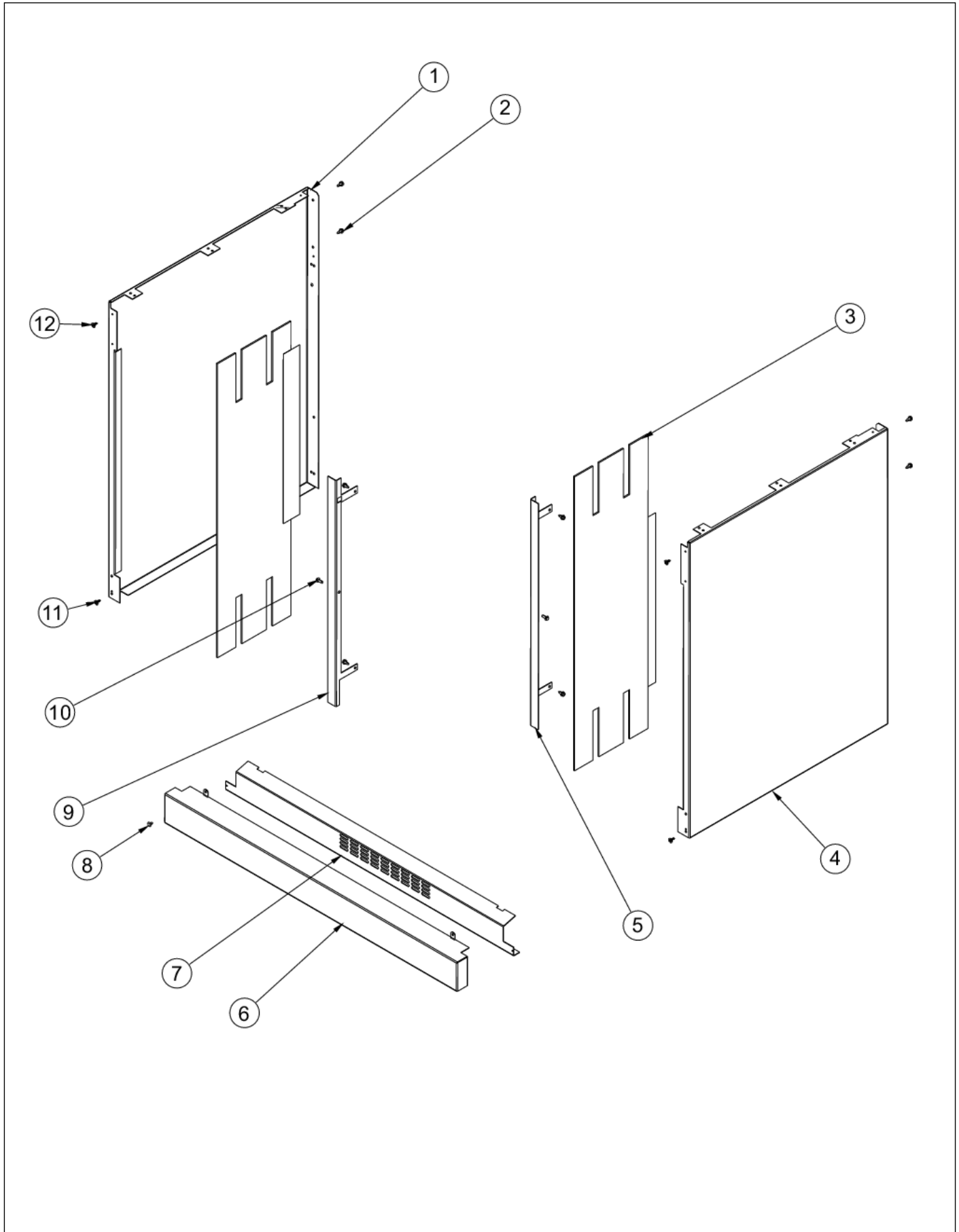




Item	Part No.	Name	Qty	Uom	NOTES
4	005503-008	SIDE PANEL, RH ASSY, PAINTED BU	1	EA	
Not Shown	NOTE	(BEFORE 02/15/16)		EA	
4	005503-009	SIDE PANEL, RH ASSY, PAINTED LE	1	EA	
Not Shown	NOTE	(BEFORE 02/15/16)		EA	
4	005503-010	SIDE PANEL, RH ASSY, PAINTED MJ	1	EA	
Not Shown	NOTE	(BEFORE 02/15/16)		EA	
4	005503-012	SIDE PANEL, RH ASSY, PAINTED VB	1	EA	
Not Shown	NOTE	(BEFORE 02/15/16)		EA	
4	005503-013	SIDE PANEL, RH ASSY, PAINTED CB	1	EA	
Not Shown	NOTE	(BEFORE 02/15/16)		EA	
4	005503-015	SIDE PANEL, RH ASSY, PAINTED PL	1	EA	
Not Shown	NOTE	(BEFORE 02/15/16)		EA	
4	005503-016	SIDE PANEL, RH ASSY, PAINTED CH	1	EA	
Not Shown	NOTE	(BEFORE 02/15/16)		EA	
4	005503-017	SIDE PANEL, RH ASSY, PAINTED TP	1	EA	
Not Shown	NOTE	(BEFORE 02/15/16)		EA	
4	005503-018	SIDE PANEL, RH ASSY, PAINTED CW	1	EA	
Not Shown	NOTE	(BEFORE 02/15/16)		EA	
4	005503-019	SIDE PANEL, RH ASSY, PAINTED OG	1	EA	
Not Shown	NOTE	(BEFORE 02/15/16)		EA	
4	005503-020	SIDE PANEL, RH ASSY, PAINTED GM	1	EA	
Not Shown	NOTE	(BEFORE 02/15/16)		EA	



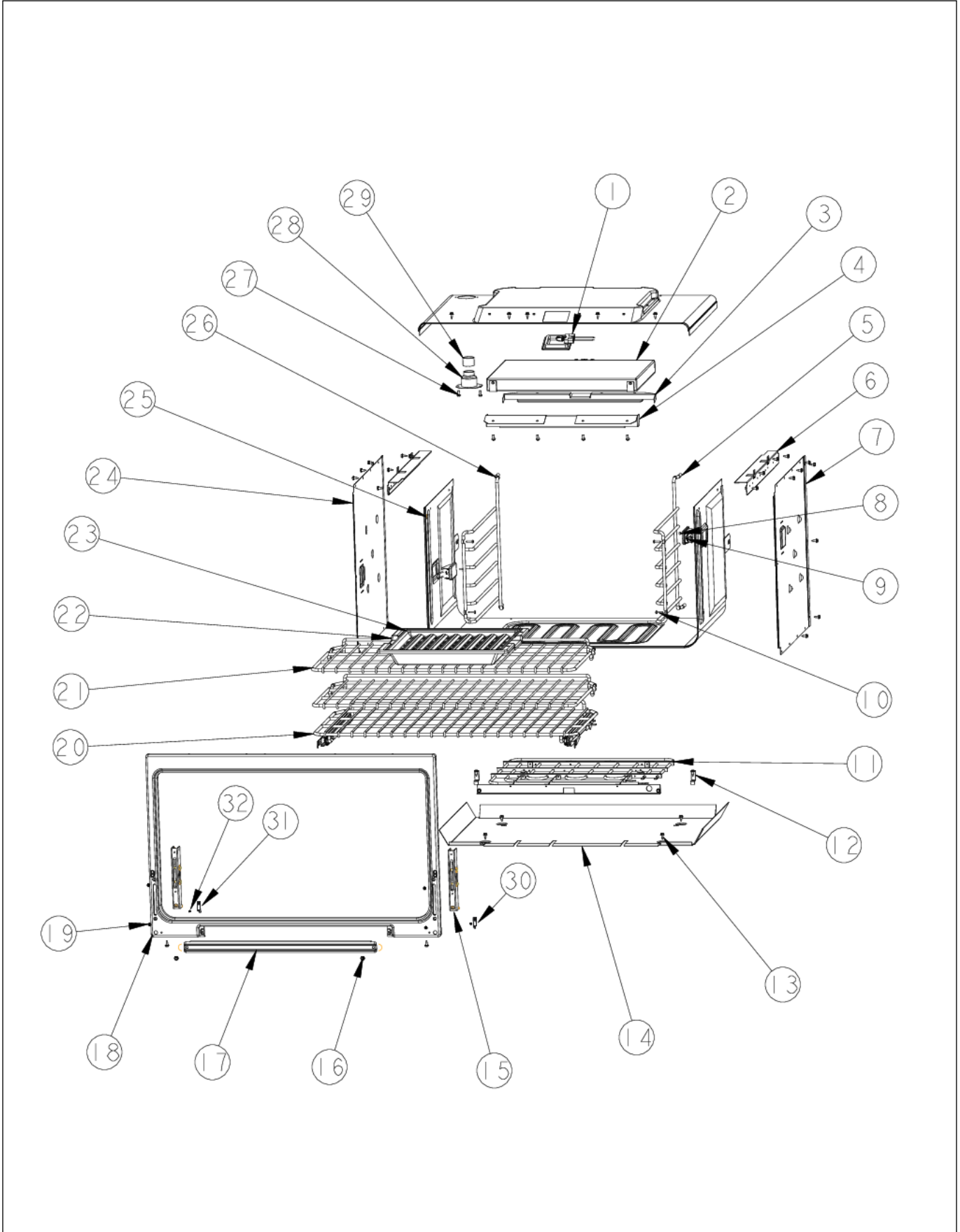
Item	Part No.	Name	Qty	Uom	NOTES
4	005503-021	SIDE PANEL, RH ASSY, PAINTED SA	1	EA	
Not Shown	NOTE	(BEFORE 02/15/16)		EA	
4	005503-022	SIDE PANEL, RH ASSY, PAINTED SE	1	EA	
Not Shown	NOTE	(BEFORE 02/15/16)		EA	
4	005503-023	SIDE PANEL, RH ASSY, PAINTED IB	1	EA	
Not Shown	NOTE	(BEFORE 02/15/16)		EA	
4	005503-024	SIDE PANEL, RH ASSY, PAINTED AR	1	EA	
Not Shown	NOTE	(BEFORE 02/15/16)		EA	
4	005503-025	SIDE PANEL, RH ASSY, PAINTED RR	1	EA	
Not Shown	NOTE	(BEFORE 02/15/16)		EA	
4	005503-026	SIDE PANEL, RH ASSY, PAINTED PM	1	EA	
Not Shown	NOTE	(BEFORE 02/15/16)		EA	
4	005503-027	SIDE PANEL, RH ASSY, PAINTED MS	1	EA	
Not Shown	NOTE	(BEFORE 02/15/16)		EA	
5	004606-000	OVEN, TRIM, FR, SIDE, RH, 36"	1	EA	
6	005382-000	KICKPLATE, SS, VDSC36	1	EA	
Not Shown	NOTE	(BEFORE 02/15/16)		EA	
6	042287-000	KICKPLATE, GAS & DUAL FUEL, 36"	1	EA	
Not Shown	NOTE	(ON OR AFTER 02/15/16)		EA	
6	042323-002	KICKPLATE, 36" DCBZ BK	1	EA	
6	042323-005	KICKPLATE, 36" DCBZ GG	1	EA	
6	042323-006	KICKPLATE, 36" DCBZ WH	1	EA	
6	042323-008	KICKPLATE, 36" DCBZ BU	1	EA	
6	042323-013	KICKPLATE, 36" DCBZ CB	1	EA	





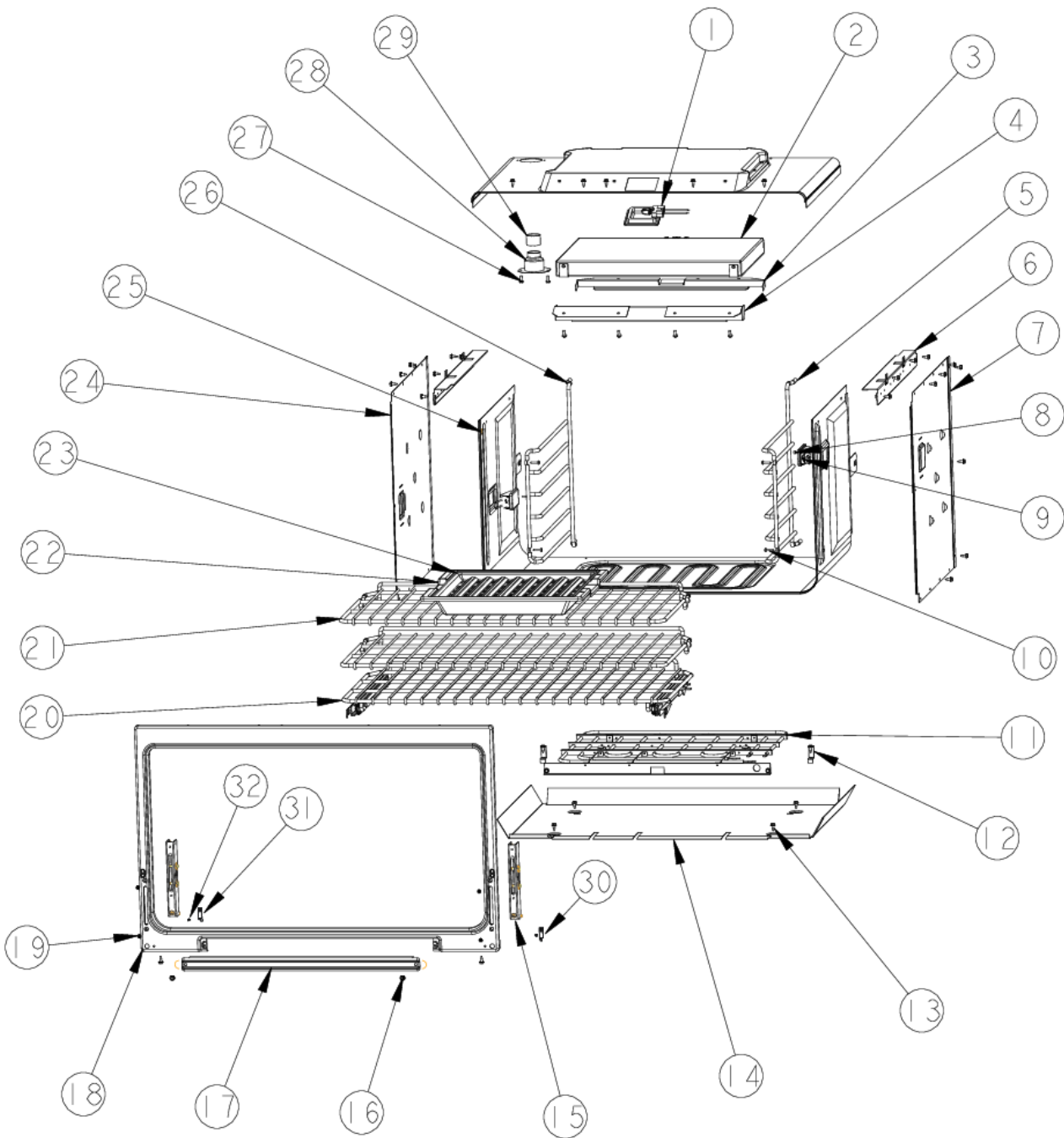
Item	Part No.	Name	Qty	Uom	NOTES
6	042323-024	KICKPLATE, 36" DCBZ AR	1	EA	
7	051833-000	GRILL, ACS, LWR, 36"	1	EA	
8	PD020032	SRW-8(A)X3/8"PH.WFR HD 7/16DIA*NICL	2	EA	
9	004607-000	OVEN, TRIM, FR, SIDE, LH, 36"	1	EA	
10	PD020048	NO.10 X 1/2 TEK 410 SS SCREW	2	EA	
11	003801-000	SHOULDER SCREW, #10	2	EA	

OVEN MODULE





Item	Part No.	Name	Qty	Uom	NOTES
1	020403-000	LAMP, OVEN, 120V/40W	1	EA	
2	024040-000	ELEMENT, RIBBON	4	EA	
Comments for Part Num. 024040-000					
jhobbs@kimballinc.com on Jan 4, 2019					
Please Correct the part number on this ( 057872-000)					
3	024221-000	BRACKET, BROILER, REAR	1	EA	
4	024234-000	BRACKET, BROILER, FRONT	1	EA	
5	066478-402	SUPPORT, RACK, RHS, PORCELAIN	1	EA	
6	A2009641	BRKT, TOP WRAPPER	2	EA	
7	A2009622	BRKT, TOP WRAPPER, RIGHT	1	EA	Not available online / Call for pricing and availability
8	PD020067	' #6 X 3/8" PAN PHIL. TEK *SS*	1	EA	
9	005311-000	LAMP, OVEN, 120V/25W	1	EA	
10	PD020232	#8 X 3/4" PH PAN HEAD TEK SCREW (BLACK OXIDE)	1	EA	
11	PJ010048	BAKE ELEMENT	1	EA	
12	A2009696	HOLDER, BAKE ELEMENT	1	EA	
13	003860-000	10-18 x .500 FASTNR,SCR,HXWH,STL,ZPLT	37	EA	
14	004541-000	ELEMENT, MTG TRAY 36"	1	EA	
15	031679-000	RECEPTACLE, HINGE	1	EA	
16	PD020063	SCREW-#8(A) X 3/8"PH WFR HD/BK OXID	1	EA	
17	E9109655	COVER, BAKE TRAY	1	EA	
18	NON REPLACEBLE	OVEN CAVITY, ASM 36" (002769-000)	1	EA	
19	PD020062	#8-32 X 3/8 PHMS TYPE 1	1	EA	
20	024668-000	RACK PULLOUT ASM 36"	1	EA	
21	041047-000	RACK, DF, PRO, 36"	2	EA	
22	E9107933	BROILER PAN	1	EA	
23	E9107934	BROILER PAN INSERT - NLA	1	EA	

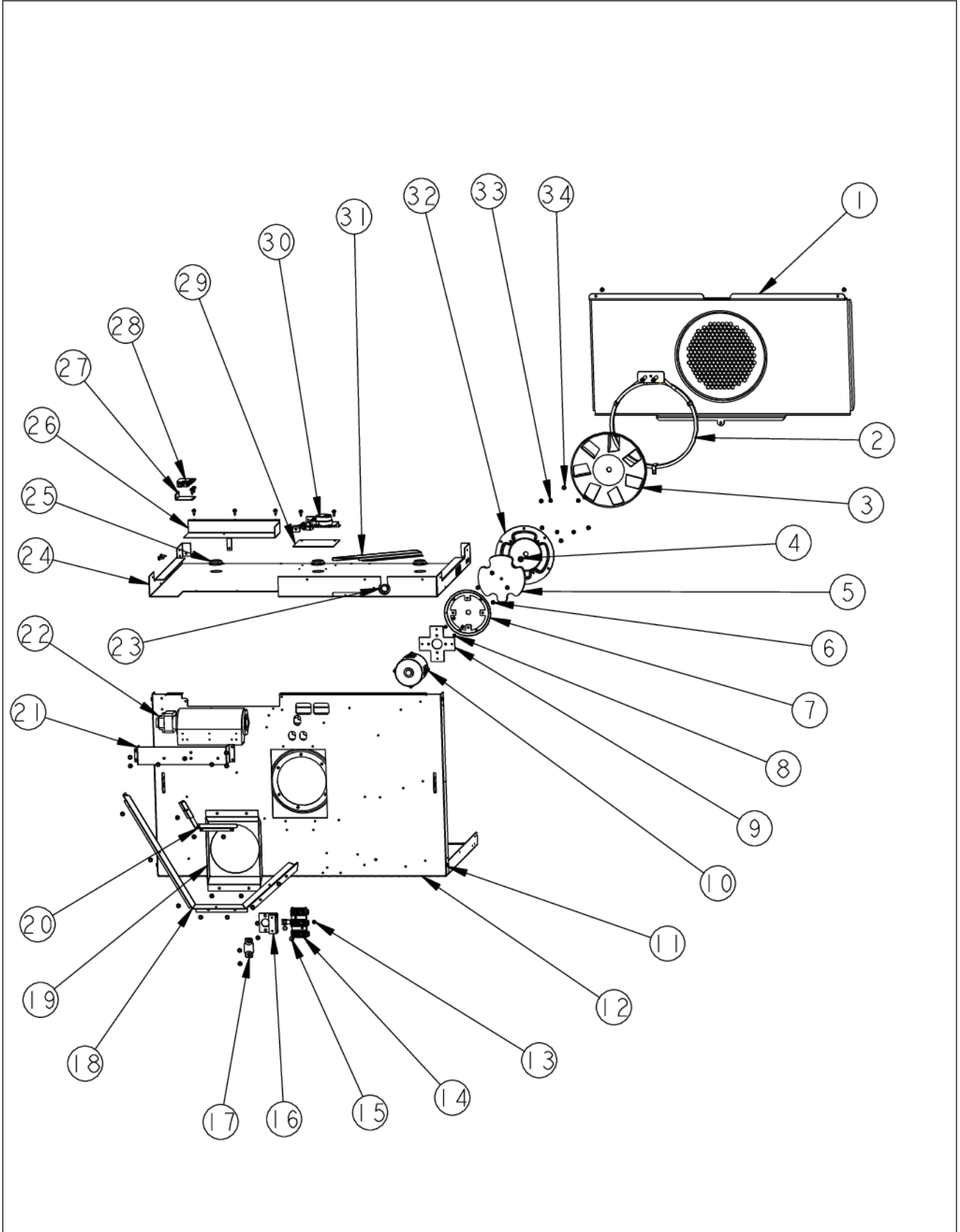




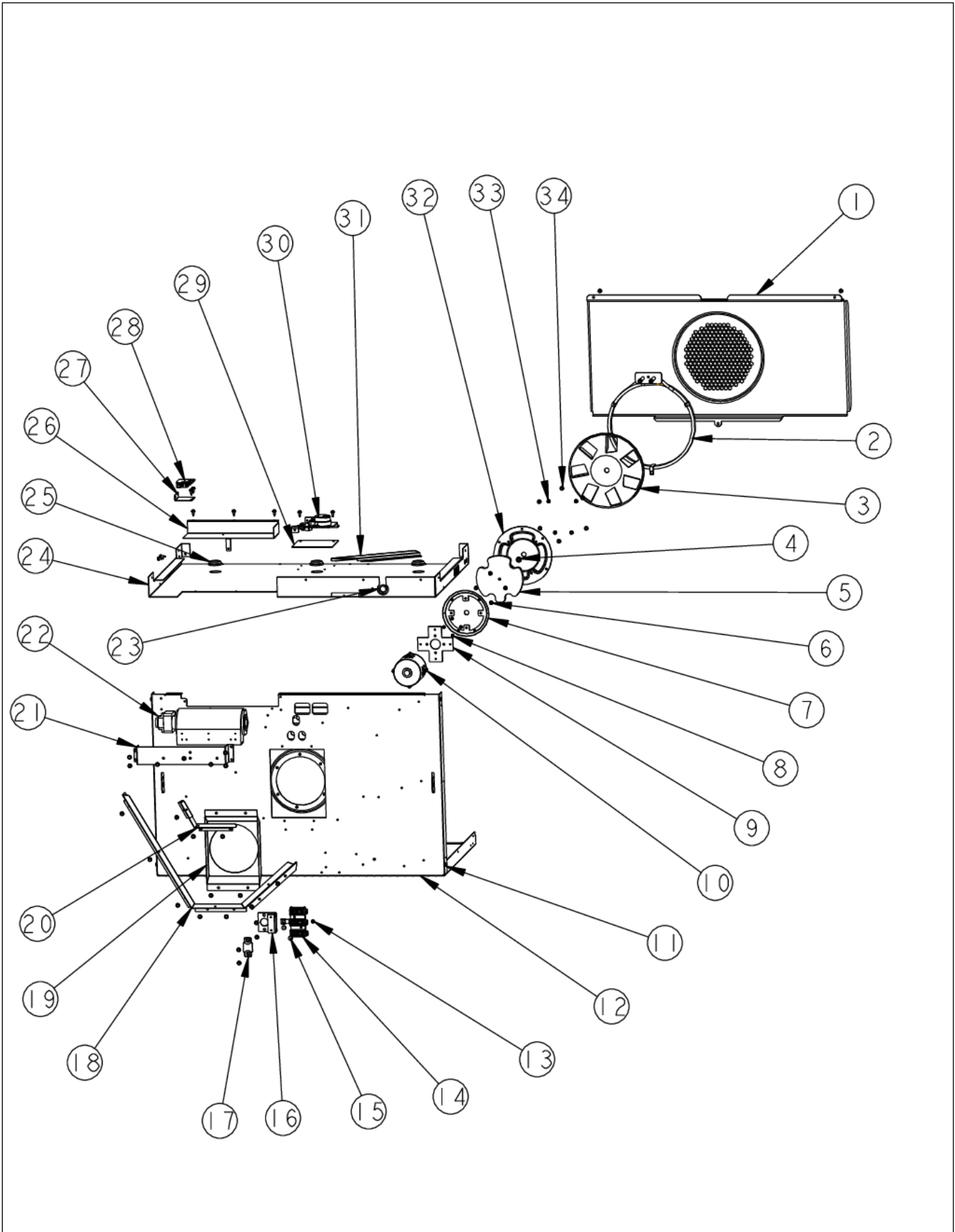


Item	Part No.	Name	Qty	Uom	NOTES
24	A20012650	BRKT, TOP WRAPPER LEFT	1	EA	Not available online / Call for pricing and availability
25	E91014053	PORCELAIN 25/64" HOLE PLUG	1	EA	Not available online / Call for pricing and availability
26	066479-402	SUPPORT, RACK, LHS, PORCELAIN	1	EA	
27	PD020048	NO.10 X 1/2 TEK 410 SS SCREW	1	EA	
28	PM010014	SMOKE ELIMINATOR (VDSC)	1	EA	
29	PB020275	VENT TUBE	1	EA	
30	B21010915	HINGE CLIP - RH	1	EA	
31	B21010916	HINGE CLIP - LH	1	EA	
32	PD020061	' #8 X 3/4 FLAT HD TEK. *SS*	2	EA	
NI	PE050206	RTD THERMOSTAT PROBE	1	EA	

REAR AREA

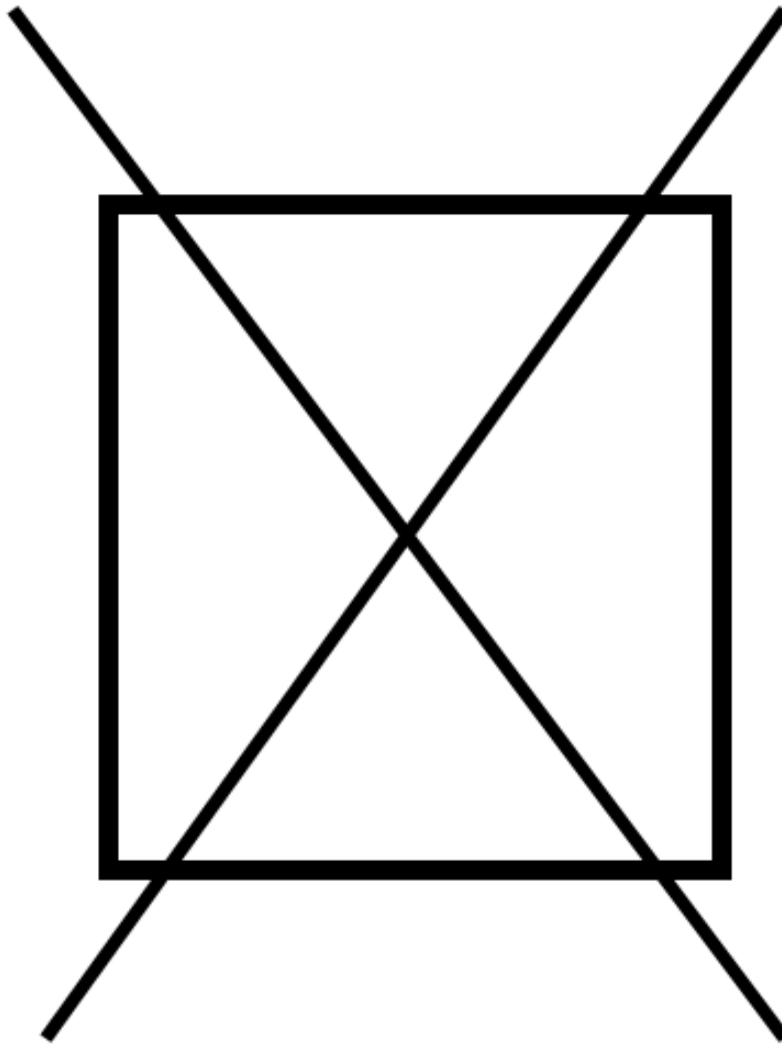


Item	Part No.	Name	Qty	Uom	NOTES
1	006177-000	BAFFLE, CNVN, ASM, VDSC 36"	1	EA	
2	PJ010047	CONVECTION ELEMENT	1	EA	
3	PE050227	CONVECTION FAN BLADE ASSY	1	EA	
4	PD030149	5/16 NUT	1	EA	
5	PB070312	CONVECTION MOTOR MTG. PLATE INSULATION	1	EA	
6	PD020004	10X3/8PH.HD.TYPE 25 REPL PD040125	4	EA	
7	A21012728	BRKT, MTG, CONV MOTOR	1	EA	Not available online / Call for pricing and availability
8	PD010028	BOLT M4X5	4	EA	
9	A10012735	EBM FAN MOTOR ADAPTER	1	EA	Not available online / Call for pricing and availability
10	PE050203	CONVECTION MOTOR	1	EA	
11	003860-000	10-18 x .500 FASTNR,SCR,HXWH,STL,ZPLT	36	EA	
12	004543-000	OVEN BOTTOM, BACK WRAP ASSY 36"	1	EA	
13	PD020010	10 X 3/8 GREEN GROUNDING SCREW	1	EA	
14	PE070147	TERMINAL BLOCK (VDSC)	1	EA	
15	PD020014	10X3/4 PH TR HD SMS	2	EA	
16	A2002195	POWER CORD MOUNTING BRKT (VDSC)	1	EA	
17	A1002457	POWER CORD MOUNTING STRAP (VDSC)	1	EA	
18	002941-000	BAFFLE, FAN, REAR	1	EA	
19	A2009697	BRACKET, CONVECTION INSULATION	1	EA	
20	003356-000	DIVERTER, AIR	1	EA	
21	004110-000	Blower Mount	1	EA	
22	PE050250	Blower	1	EA	



Item	Part No.	Name	Qty	Uom	NOTES
Comments for Part Num. PE050250					
highendappsvc@gmail.com on Jan 28, 2019					
If you need to replace cooling fan for the model vgsc5486gss serial date code 031412, do not order this fan, this fan is larger and configured wrong. The correct fan is 007794-000. it is smaller.					
Not Shown	NOTE	(BEFORE 8/10/2013)		EA	
22	018607-000	FAN, BLO, 220-240V 50/60Hz ASM (MT1664)	1	EA	
Not Shown	NOTE	(ON OR AFTER 8/10/2013)		EA	
23	PD040005	SNAP BUSHING - 7/8"	1	EA	
24	004547-000	RANGE TOP BRACE, AIR CHANNEL, 36"	1	EA	
25	PB070079	SILICONE EXTRUSION (DGSU)	3	EA	
26	A2009659	Blower Bracket	1	EA	
27	A20012649	DOOR SWITCH BRACKET	1	EA	
28	PE050208	DOOR SWITCH	1	EA	
29	PB070321	Lower Latch Insulation	1	EA	
30	013250-000	LATCH,DOOR,ASM,240V,GRID DLE LOCKOUT	1	EA	
Not Shown	NOTE	(BEFORE 10/31/13)		EA	
30	039293-000	LATCH, ELEC, 240V, ASSY	1	EA	
Not Shown	NOTE	(ON OR AFTER 10/31/13)		EA	
31	004698-000	FLUE DUCT, VDSC36"	1	EA	
32	023116-000	PLATE, MOUNTING, CONVECTION MOTOR	1	EA	
33	PD020055	' #10 X 1/2" PAN PHIL. TEK.*SS*	4	EA	
34	PD020048	NO.10 X 1/2 TEK 410 SS SCREW	11	EA	
NI	A2002654	ANTI-TIP DEVICE (VDSC)	1	EA	
NI	034927-000	BRACKET, ANTI-TIP	1	EA	
NI	034928-000	BRACKET, HOOK, ANTI-TIP	1	EA	

# NON ILLUSTRATED PART



Item	Part No.	Name	Qty	Uom	NOTES
NI	024909-000	SHIELD, WRG	1	EA	
NI	004132-000	OVEN HARNESS - NLA	1	EA	
Not Shown	NOTE	(BEFORE 07/19/10)		EA	
NI	021182-000	MAIN OVEN HARNESS - NLA	1	EA	
Comments for Part Num. 021182-000  bradleysapplianceservice@shaw.ca on Apr 27, 2016 SUBS TO: 024871-000 MAIN OVEN HARNESS					
Not Shown	NOTE	(07/19/10 THRU 12/6/10)		EA	
NI	024871-000	MAIN HARNESS	1	EA	
Not Shown	NOTE	(ON OR AFTER 12/6/10)		EA	
NI	PE070739	BAKE ELEMENT HARNESS	1	EA	
NI	PE070890	IRIS HARNESS - 36"	1	EA	
NI	001134-000	IRIS HARNESS INSULATED CAP	3	EA	
NI	012828-000	HARNESS, GROUND, DSI, VDSC536-4G	1	EA	
NI	036200-000	HARNESS. W/ GRIDDLE	1	EA	
NI	020019-000	HARNESS, WRG, CONTROL	1	EA	
NI	021319-000	*SEE 027543-000* HARNESS, ADPT, LED, 125V TO 2V	1	EA	
NI	000647-000	IRIS IGNITOR WIRE, FRONT BURNER	2	EA	
NI	006766-000	IRIS IGNITOR WIRE, BACK BURNER	2	EA	
NI	024869-000	RIBBON CABLE, RH	1	EA	



Appendix A:Pages Index

BASE ASSY ..... 1  
BURNER BOX ..... 2  
BURNER SURFACE ..... 3  
CONTROL PANEL ..... 4  
DOOR ASSY ..... 5  
GRIDDLE ASSY ..... 6  
LOWER UNIT AND SIDE PANELS ..... 7  
OVEN MODULE ..... 8  
REAR AREA ..... 9  
WIRING ..... 10





Appendix B:Parts Index

000594-000	5	004541-000	8
000647-000	10	004543-000	9
000915-000	1	004547-000	9
001134-000	10	004602-000	2
001394-042	2	004603-000	2
001394-046	2	004606-000	7
002406-000	1	004607-000	7
002713-000	5	004698-000	9
002713-402	5	004907-000	5
002726-000	5	005040-000	3
002755-000	2	005269-000	4
002884-000	2	005270-000	4
002920-000	3	005271-000	4
002923-000	2	005311-000	8
002941-000	9	005382-000	7
003011-000	5	005480-000	2
003011-100	5	005503-002	7
003012-000	5	005503-003	7
003012-100	5	005503-004	7
003053-000	1	005503-005	7
003054-000	1	005503-006	7
003322-041	3	005503-008	7
003326-000	1	005503-009	7
003327-000	1	005503-010	7
003328-000	1	005503-012	7
003356-000	9	005503-013	7
003481-000	2	005503-015	7
003649-000	3	005503-016	7
003719-000	4	005503-017	7
003761-000	1	005503-018	7
003763-000	1	005503-019	7
003801-000	7	005503-020	7
003802-000	7	005503-021	7
003803-000	7	005503-022	7
003860-000	1, 2, 3, 6, 7, 8, 9	005503-023	7
004021-000	3	005503-024	7
004110-000	9	005503-025	7
004132-000	10	005503-026	7
004153-000	5	005503-027	7
004503-000	1	005506-002	7
		005506-003	7



005506-004	7	007488-000	7
005506-005	7	007776-000	2
005506-006	7	008286-000	2
005506-008	7	008449-000	2
005506-009	7	008636-000	2
005506-010	7	008637-000	2
005506-012	7	008742-000	6
005506-013	7	009197-000	3
005506-015	7	009632-000	1
005506-016	7	009852-002	5
005506-017	7	009852-003	5
005506-018	7	009852-004	5
005506-019	7	009852-005	5
005506-020	7	009852-006	5
005506-021	7	009852-007	5
005506-022	7	009852-008	5
005506-023	7	009852-009	5
005506-024	7	009852-010	5
005506-025	7	009852-011	5
005506-026	7	009852-012	5
005506-027	7	009852-013	5
006076-000	5	009852-014	5
006080-000	5	009852-015	5
006082-000	5	009852-016	5
006086-000	5	009852-017	5
006089-000	5	009852-018	5
006100-000	5	009852-019	5
006177-000	9	009852-020	5
006299-000	4	009852-021	5
006313-000	2	009852-022	5
006570-000	4	009852-023	5
006760-000	6	009852-024	5
006763-000	6	009852-025	5
006766-000	10	009852-026	5
006780-000	6	009852-027	5
006783-000	6	009852-102	5
006788-000	5	009852-103	5
006807-000	5	009852-104	5
006808-000	5	009852-105	5
006996-000	5	009852-106	5
007323-000	3	009852-107	5



009852-108	5	009915-023	5
009852-109	5	009915-024	5
009852-110	5	009915-025	5
009852-111	5	009915-026	5
009852-112	5	009915-027	5
009852-113	5	009915-102	5
009852-114	5	009915-103	5
009852-115	5	009915-104	5
009852-116	5	009915-105	5
009852-117	5	009915-106	5
009852-118	5	009915-107	5
009852-119	5	009915-108	5
009852-120	5	009915-109	5
009852-121	5	009915-110	5
009852-122	5	009915-111	5
009852-123	5	009915-112	5
009852-124	5	009915-113	5
009852-125	5	009915-114	5
009852-126	5	009915-115	5
009852-127	5	009915-116	5
009915-002	5	009915-117	5
009915-003	5	009915-118	5
009915-004	5	009915-119	5
009915-005	5	009915-120	5
009915-006	5	009915-121	5
009915-007	5	009915-122	5
009915-008	5	009915-123	5
009915-009	5	009915-124	5
009915-010	5	009915-125	5
009915-011	5	009915-126	5
009915-012	5	009915-127	5
009915-013	5	012165-700	6
009915-014	5	012287-000	6
009915-015	5	012291-000	6
009915-016	5	012828-000	10
009915-017	5	013213-000	4
009915-018	5	013250-000	9
009915-019	5	013290-000	5
009915-020	5	013386-000	2
009915-021	5	013408-000	6
009915-022	5	015043-000	4



015096-000	1	024871-000	10
018200-000	3	024909-000	1, 10
018607-000	9	026526-000	1
020019-000	10	026766-000	1
020403-000	8	030823-000	5
021182-000	10	031307-2112	4
021311-000	5	031679-000	8
021312-002	5	034927-000	9
021312-003	5	034928-000	9
021312-004	5	035881-000	4
021312-005	5	035883-000	4
021312-006	5	035893-000	4
021312-008	5	035895-000	4
021312-009	5	036047-000	1
021312-010	5	036200-000	10
021312-012	5	039293-000	9
021312-013	5	041047-000	8
021312-015	5	041505-000	3
021312-016	5	042287-000	7
021312-017	5	042323-002	7
021312-018	5	042323-005	7
021312-019	5	042323-006	7
021312-020	5	042323-008	7
021312-021	5	042323-013	7
021312-022	5	042323-024	7
021312-023	5	044178-000	1
021312-024	5	046142-556	1
021312-025	5	049416-000	3
021312-026	5	049420-000	3
021312-027	5	050172-000	4
021319-000	10	051833-000	7
021336-000	4	058495-000	7
021340-000	1	058496-000	7
023116-000	9	066478-402	8
023651-000	1	066479-402	8
024040-000	8	A10012735	9
024221-000	8	A1002457	9
024234-000	8	A20012649	9
024659-000	2	A20012650	8
024668-000	8	A2002195	9
024869-000	10	A2002654	9



A2009622	8	PD020073	5
A2009641	8	PD020076	2
A2009659	9	PD020232	8
A2009696	8	PD030006	5
A2009697	9	PD030010	5
A21012728	9	PD030149	9
B21010915	8	PD030172	1
B21010916	8	PD040004	4
E91014053	8	PD040005	9
E9107933	8	PD040075	3
E9107934	8	PD040164	1
E9108438BK	3	PE010030	5
E9109655	8	PE050023	4
J2101749	2	PE050072	4
PA020028	6	PE050203	9
PA020056	1	PE050206	6, 8
PA020058	2, 4	PE050208	9
PA070003	2	PE050227	9
PA080083	3	PE050250	9
PB020192	2	PE060094	5
PB020193	2	PE070147	9
PB020275	8	PE070734	1
PB040190	6	PE070739	10
PB040238	2	PE070890	10
PB070079	9	PJ010047	9
PB070312	9	PJ010048	8
PB070321	9	PJ030033	4
PC030007	1	PJ030035	4
PD010012	2	PM010014	8
PD010028	9		
PD020004	9		
PD020010	2, 9		
PD020014	9		
PD020032	4, 5, 7		
PD020043	1		
PD020048	7, 8, 9		
PD020055	9		
PD020061	8		
PD020062	4, 8		
PD020063	8		
PD020067	8		